

SECTION **BR**

CONTENTS

PRECAUTIONS AND PREPARATION2	Inspection — Caliper.....22	CL
Precautions.....2	Inspection — Rotor.....23	
Special Service Tool.....2	Assembly.....23	MT
Commercial Service Tools.....3	Installation.....23	
CHECK AND ADJUSTMENT4	REAR DRUM BRAKE (LT30C)24	
Checking Brake Fluid Level.....4	Removal.....24	AT
Checking Brake Line.....4	Inspection — Wheel Cylinder.....25	
Changing Brake Fluid.....4	Wheel Cylinder Overhaul.....26	TF
Bleeding Brake System.....5	Inspection — Drum.....26	
BRAKE HYDRAULIC LINE/CONTROL VALVE6	Inspection — Lining.....26	
Brake Hydraulic Line.....6	Installation.....26	PD
Proportioning Valve (2WD).....8	PARKING BRAKE CONTROL28	
Load Sensing Valve (4WD).....9	Removal and Installation.....28	FA
BRAKE PEDAL AND BRACKET12	Inspection.....28	
Removal and Installation.....12	Adjustment.....29	FA
Inspection.....12	ANTI-LOCK BRAKE SYSTEM30	
Adjustment.....12	Purpose.....30	FA
MASTER CYLINDER14	Operation.....30	
Removal.....14	ABS Hydraulic Circuit.....30	BR
Disassembly.....15	System Components.....31	
Inspection.....15	System Description.....31	ST
Assembly.....15	Wiring Diagram — ABS —.....34	
Installation.....16	Removal and Installation.....38	RS
BRAKE BOOSTER17	TROUBLE DIAGNOSES43	
Brake Booster.....17	Contents.....43	BT
VACUUM PIPING19	Component Parts and Harness Connector	
Vacuum Hose.....19	Location.....53	HA
FRONT DISC BRAKE20	SERVICE DATA AND SPECIFICATIONS (SDS)77	
Pad Replacement.....20	General Specifications.....77	
Removal.....22	Inspection and Adjustment.....78	
Disassembly.....22		

When you read wiring diagrams:

- Read GI section, "HOW TO READ WIRING DIAGRAMS".
- See EL section, "POWER SUPPLY ROUTING" for power distribution circuit.

When you perform trouble diagnoses, read GI section, "HOW TO FOLLOW FLOW CHART IN TROUBLE DIAGNOSES" and "HOW TO PERFORM EFFICIENT DIAGNOSIS FOR AN ELECTRICAL INCIDENT".

PRECAUTIONS AND PREPARATION

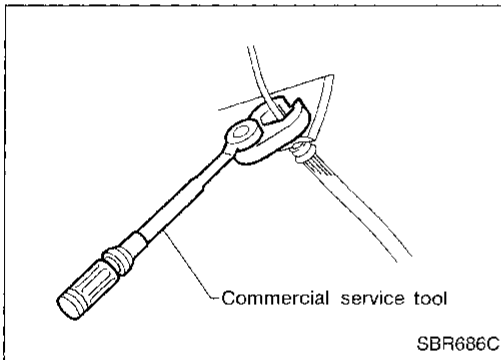
Precautions

SUPPLEMENTAL RESTRAINT SYSTEM (SRS) "AIR BAG"

The Supplemental Restraint System "Air Bag", used along with a seat belt, helps to reduce the risk or severity of injury to the driver and front passenger in a frontal collision. The Supplemental Restraint System consists of air bag modules (located in the center of the steering wheel and on the instrument panel on the passenger side), a diagnosis sensor unit, warning lamp, wiring harness and spiral cable. Information necessary to service the system safely is included in the **RS section** of this Service Manual.

WARNING:

- To avoid rendering the SRS inoperative, which could increase the risk of personal injury or death in the event of a collision which would result in air bag inflation, all maintenance must be performed by an authorized NISSAN dealer.
- Improper maintenance, including incorrect removal and installation of the SRS, can lead to personal injury caused by unintentional activation of the system.
- Do not use electrical test equipment on any circuit related to the SRS unless instructed to in this Service Manual. SRS wiring harnesses are covered with yellow insulation either just before the harness connectors or for the complete harness, for easy identification.



BRAKE SYSTEM

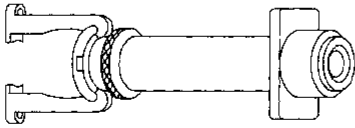
- Use brake fluid "DOT 3".
- Never reuse drained brake fluid.
- Be careful not to splash brake fluid on painted areas; it may cause paint damage. If brake fluid is splashed on painted areas, wash it away with water immediately.
- To clean master cylinder parts, disc brake caliper parts or wheel cylinder parts, use clean brake fluid.
- Never use mineral oils such as gasoline or kerosene. They will ruin rubber parts of hydraulic system.
- Use flare nut wrench when removing and installing brake tubes.
- Always torque brake lines when installing.

WARNING:

- Clean brakes with a vacuum dust collector to minimize risk of health hazard from powder caused by friction.

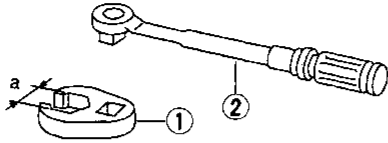
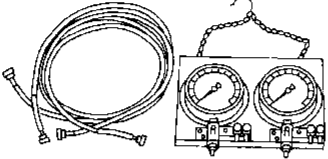
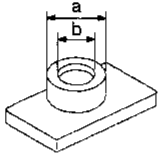
Special Service Tool

The actual shapes of Kent-Moore tools may differ from those of special service tools illustrated here.

Tool number (Kent-Moore No.) Tool name	Description
HT72480000 (J25852-B) Rear axle shaft bearing puller	<div style="display: flex; align-items: center; justify-content: space-between;">  <div data-bbox="992 1625 1341 1654">Removing rear wheel sensor rotor</div> </div> <p style="text-align: left; margin-top: 10px;">NT161</p>

PRECAUTIONS AND PREPARATION

Commercial Service Tools

Tool name	Description
① Flare nut crowfoot ② Torque wrench	Removing and installing each brake piping  NT360 a: 10 mm (0.39 in)
Brake fluid pressure gauge	Measuring brake fluid pressure  NT151
Rear wheel sensor rotor drift	Installing rear wheel sensor rotor  NT509 a: 75 mm (2.95 in) dia. b: 63 mm (2.48 in) dia.

GI

MA

EM

LC

EC

FE

CL

MT

AT

TF

PD

FA

RA

BR

ST

RS

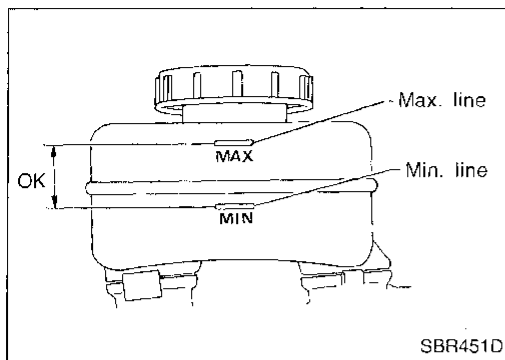
BT

HA

EL

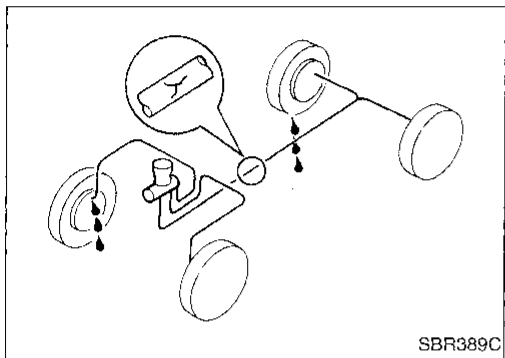
IDX

CHECK AND ADJUSTMENT



Checking Brake Fluid Level

- Check fluid level in reservoir tank. It should be between Max and Min lines on reservoir tank.
- If fluid level is extremely low, check brake system for leaks.
- If the brake warning lamp comes on, check brake fluid level switch and parking brake switch.

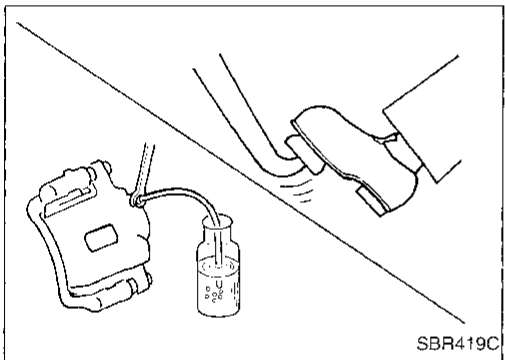


Checking Brake Line

CAUTION:

If leakage occurs around joints, retighten or, if necessary, replace damaged parts.

1. Check brake lines (tubes and hoses) for cracks, deterioration or other damage. Replace any damaged parts.
2. Check for oil leakage by fully depressing brake pedal while engine is running.



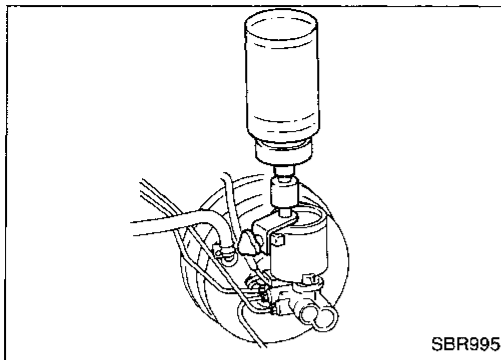
Changing Brake Fluid

CAUTION:

- Refill with new brake fluid "DOT 3".
- Always keep fluid level higher than minimum line on reservoir tank.
- Never reuse drained brake fluid.
- Be careful not to splash brake fluid on painted areas; it may cause paint damage. If brake fluid is splashed on painted areas, wash it away with water immediately.

1. Clean inside of reservoir tank, and refill with new brake fluid.
2. Connect a vinyl tube to each air bleeder valve.
3. Drain brake fluid from each air bleeder valve by depressing brake pedal.
4. Refill until brake fluid comes out of each air bleeder valve. Use same procedure as in bleeding hydraulic system to refill brake fluid. Refer to "Bleeding Brake System", BR-5.

CHECK AND ADJUSTMENT



Bleeding Brake System

CAUTION:

- Carefully monitor brake fluid level at master cylinder during bleeding operation.
- If master cylinder is suspected to have air inside, bleed air from master cylinder first. Refer to "Installation", "MASTER CYLINDER", BR-16.
- Fill reservoir with new brake fluid "DOT 3". Make sure it is full at all times while bleeding air out of system.
- Place a container under master cylinder to avoid spillage of brake fluid.
- For models with ABS, turn ignition switch OFF and disconnect ABS actuator connectors or battery ground cable.
- Bleed air in the following order.
 1. LSV air bleeder (Models equipped with LSV)
 2. Left rear brake
 3. Right rear brake
 4. Left front brake
 5. Right front brake

GI

MA

EM

LC

EC

FE

CL

MT

AT

TF

PD

FA

RA

BR

ST

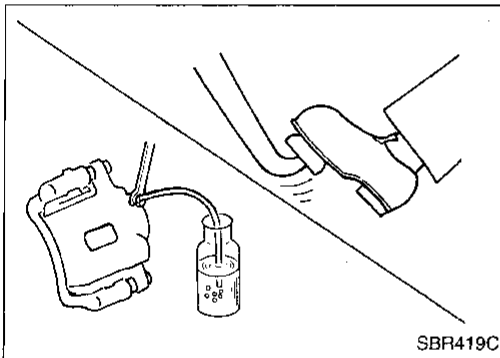
RS

BT


HA

EL

IDX

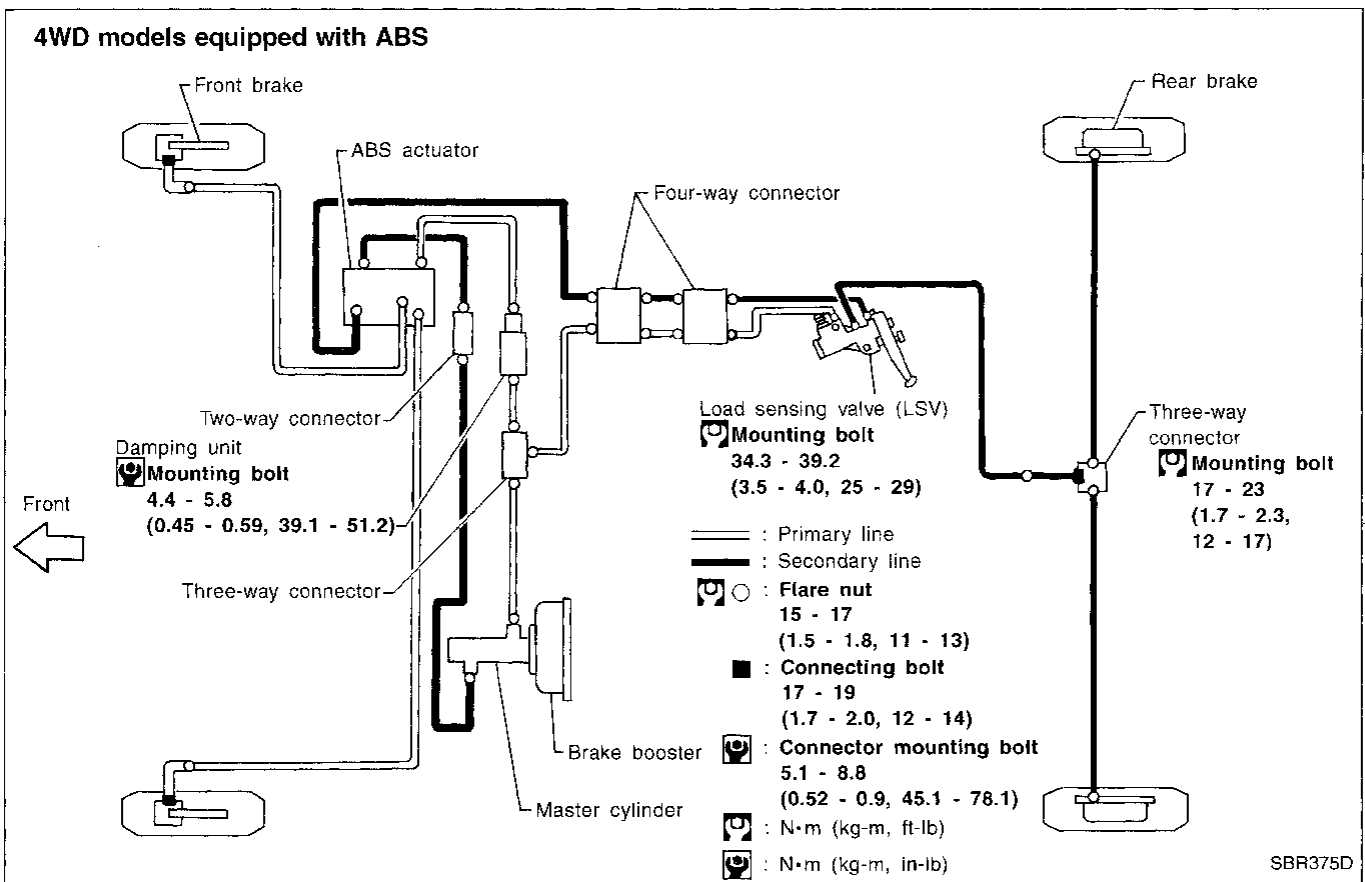
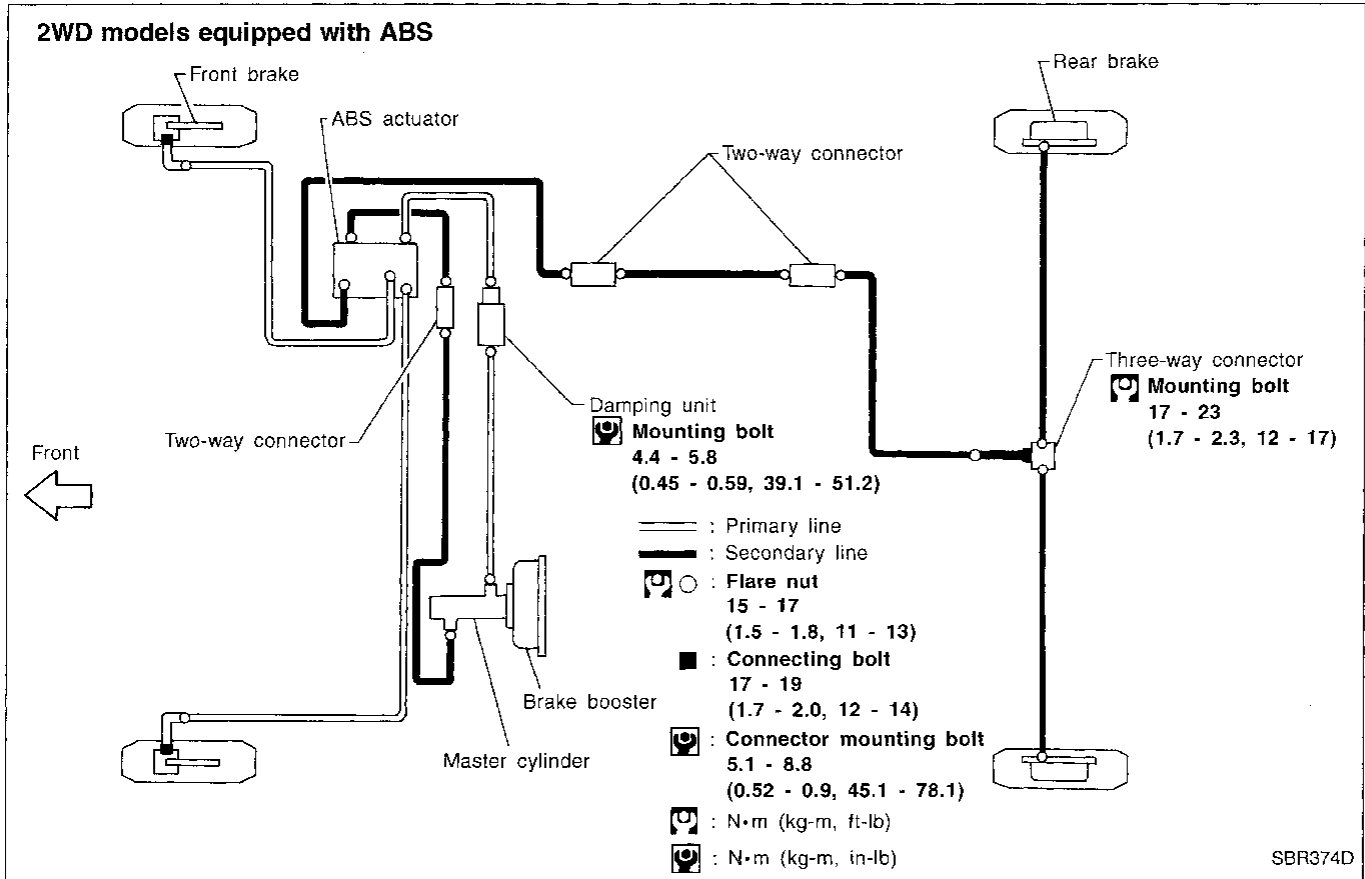


1. Connect a transparent vinyl tube to air bleeder valve.
2. Fully depress brake pedal several times.
3. With brake pedal depressed, open air bleeder valve to release air.
4. Close air bleeder valve.
5. Release brake pedal slowly.
6. Repeat steps 2. through 5. until clear brake fluid comes out of air bleeder valve.
7. Tighten air bleeder valve.

 : 7 - 9 N·m (0.7 - 0.9 kg-m, 61 - 78 in-lb)

BRAKE HYDRAULIC LINE/CONTROL VALVE

Brake Hydraulic Line



BRAKE HYDRAULIC LINE/CONTROL VALVE

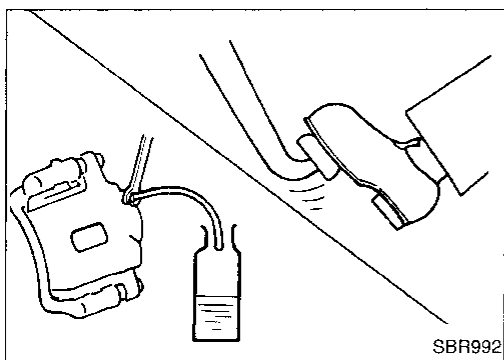
Brake Hydraulic Line (Cont'd)

REMOVAL

CAUTION:

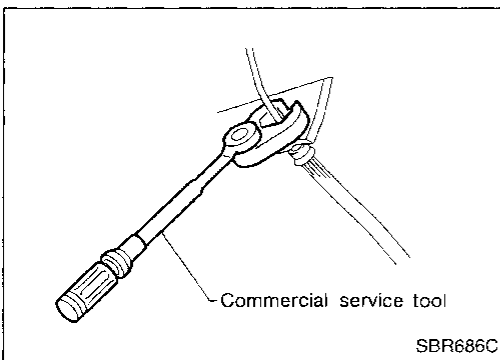
- Be careful not to splash brake fluid on painted areas; it may cause paint damage. If brake fluid is splashed on painted areas, wash it away with water immediately.
- All hoses must be free from excessive bending, twisting and pulling.

1. Connect vinyl tube to air bleeder valve.
2. Drain brake fluid from each air bleeder valve by depressing brake pedal.
3. Remove flare nut connecting brake tube and hose, then withdraw lock spring.
4. Cover openings to prevent entrance of dirt whenever disconnecting brake line.



INSPECTION

Check brake lines (tubes and hoses) for cracks, deterioration or other damage. Replace any damaged parts.



INSTALLATION

CAUTION:

- Refill with new brake fluid "DOT 3".
- Never reuse drained brake fluid.

1. Tighten all flare nuts and connecting bolts.

Flare nut:

: 15 - 17 N·m (1.5 - 1.8 kg-m, 11 - 13 ft-lb)

Connecting bolt:

: 17 - 19 N·m (1.7 - 2.0 kg-m, 12 - 14 ft-lb)

2. Refill until new brake fluid comes out of each air bleeder valve.
3. Bleed air. Refer to "Bleeding Brake System", BR-5.

GI

MA

EM

LC

EC

FE

CL

MT

AT

TF

PD

FA

RA

BR

ST

RS

BT

HA

EL

IDX

BRAKE HYDRAULIC LINE/CONTROL VALVE

Proportioning Valve (2WD)

INSPECTION

CAUTION:

- Carefully monitor brake fluid level at master cylinder.
- Use new brake fluid "DOT 3".
- Be careful not to splash brake fluid on painted areas; it may cause paint damage. If brake fluid is splashed on paint areas, wash it away with water immediately.
- Depress pedal slowly when raising front brake pressure.
- Check rear brake pressure 2 seconds after front brake pressure reaches specified value.
- For models with ABS, disconnect harness connectors from ABS actuator relay box before checking.

1. Remove front LH tire.
2. Connect tool to air bleeders on front LH brake caliper and rear LH or RH brake wheel cylinder.
3. Install front LH tire.

Before installing front LH tire, confirm the tool is not touching the front LH wheel.

4. Bleed air from the tool.
5. Check fluid pressure by depressing brake pedal.

Unit: kPa (kg/cm², psi)

Applied pressure (Front brake)	D ₁	6,375 (65, 924)
Output pressure (Rear brake)	D ₂	3,432 - 3,825 (35 - 39, 498 - 555)

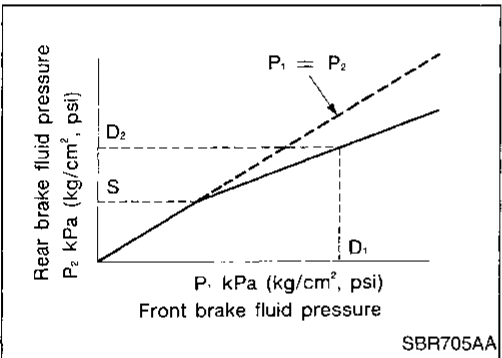
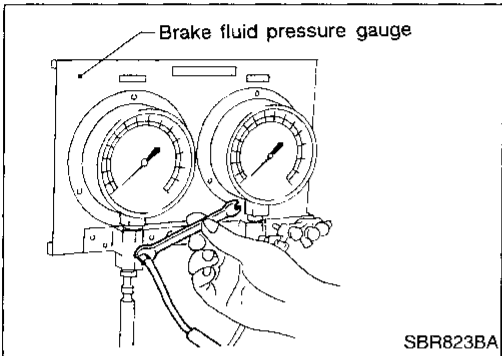
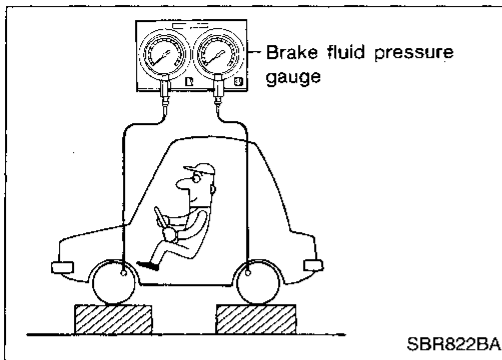
If output pressure is out of specifications, replace master cylinder assembly (built-in type).

6. Bleed air after disconnecting the tool. Refer to "Bleeding Brake System", BR-5.
7. Install front LH tire.

REMOVAL AND INSTALLATION (Built-in type)

Always replace together with master cylinder as an assembly.

- Refer to "MASTER CYLINDER", BR-16.



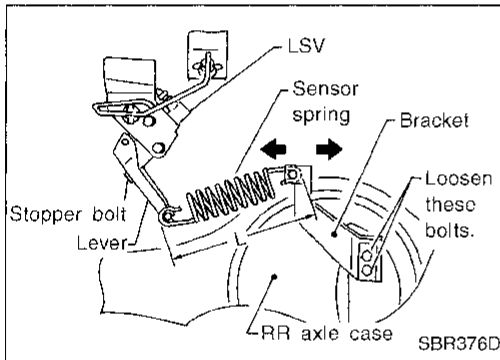
Load Sensing Valve (4WD)

INSPECTION

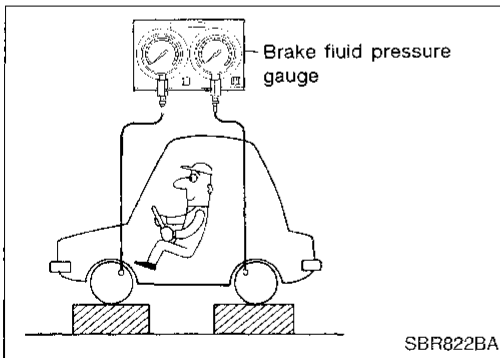
CAUTION:

- Carefully monitor brake fluid level at master cylinder.
- Use new brake fluid "DOT 3".
- Be careful not to splash brake fluid on painted areas; it may cause paint damage. If brake fluid is splashed on paint areas, wash it away with water immediately.
- Depress pedal slowly when raising front brake pressure.
- Check rear brake pressure 2 seconds after front brake pressure reaches specified value.
- For models with ABS disconnect harness connectors from ABS actuator relay before checking.

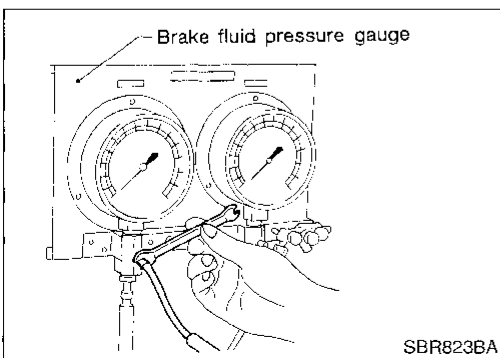
GI
 MA
 EM
 LC
 EC
 FE
 CL
 MT
 AT
 TF
 PD
 FA
 RA
 BR
 ST
 RS
 BT
 HA
 EL
 IDX



1. Ensure vehicle is unladen condition*.
* Fuel, radiator coolant and engine oil full. Spare tire, jack, hand tools and mats in designated positions.
2. Have a driver sit in the driver's seat and one person sit on the rear end. Then have the person on the rear end slowly get off the vehicle. This is necessary to stabilize suspension deflection.
3. Gradually depress brake pedal and attach a lever to the stopper bolt, then adjust length "L" as follows:
Length "L": Approx. 194 mm (7.64 in)



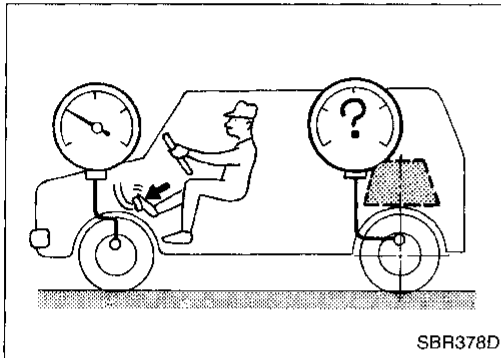
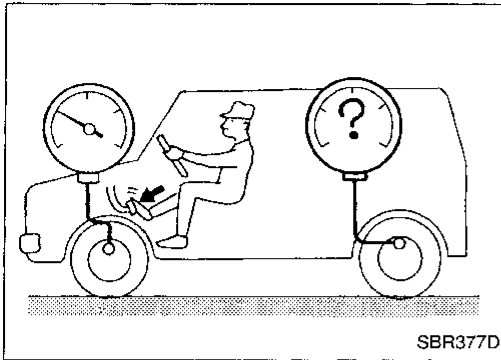
4. Remove front LH tire.
5. Connect tool to air bleeders on front LH brake caliper and rear LH or RH brake wheel cylinder.



6. Install front LH tire.
Before installing front LH tire, confirm the tool is not touching the front LH wheel.
7. Bleed air from Tool.

BRAKE HYDRAULIC LINE/CONTROL VALVE

Load Sensing Valve (4WD) (Cont'd)



8. Raise front brake pressure to 4,904 kPa (50 kg/cm², 711 psi) and 9,807 kPa (100 kg/cm², 1,422 psi) and check rear brake pressure.

**Rear brake pressure:
Refer to table below.**

9. Set down weight slowly over axle center so that sensor spring length becomes the same as when in loaded condition (Refer to table below). Check rear brake pressure in the same way described in step 6.

Unit: kPa (kg/cm², psi)

		Sensor spring length "L" mm (in)	Front brake pressure 4,904 (50, 711)	Front brake pressure 9,807 (100, 1,422)
Rear brake pressure	Without weight	194 (7.64)	1,667 - 2,648 (17.0 - 27.0, 242 - 384)	3,874 - 4,854 (39.5 - 49.5, 562 - 704)
	With weight	235 (9.25)	2,207 - 3,580 (22.5 - 36.5, 320 - 519)	4,413 - 5,786 (45.0 - 59.0, 640 - 839)

*: Depressed brake pedal.

10. Bleed air after disconnecting the tool. Refer to "Bleeding Brake System", BR-5.
11. Install front LH tire.

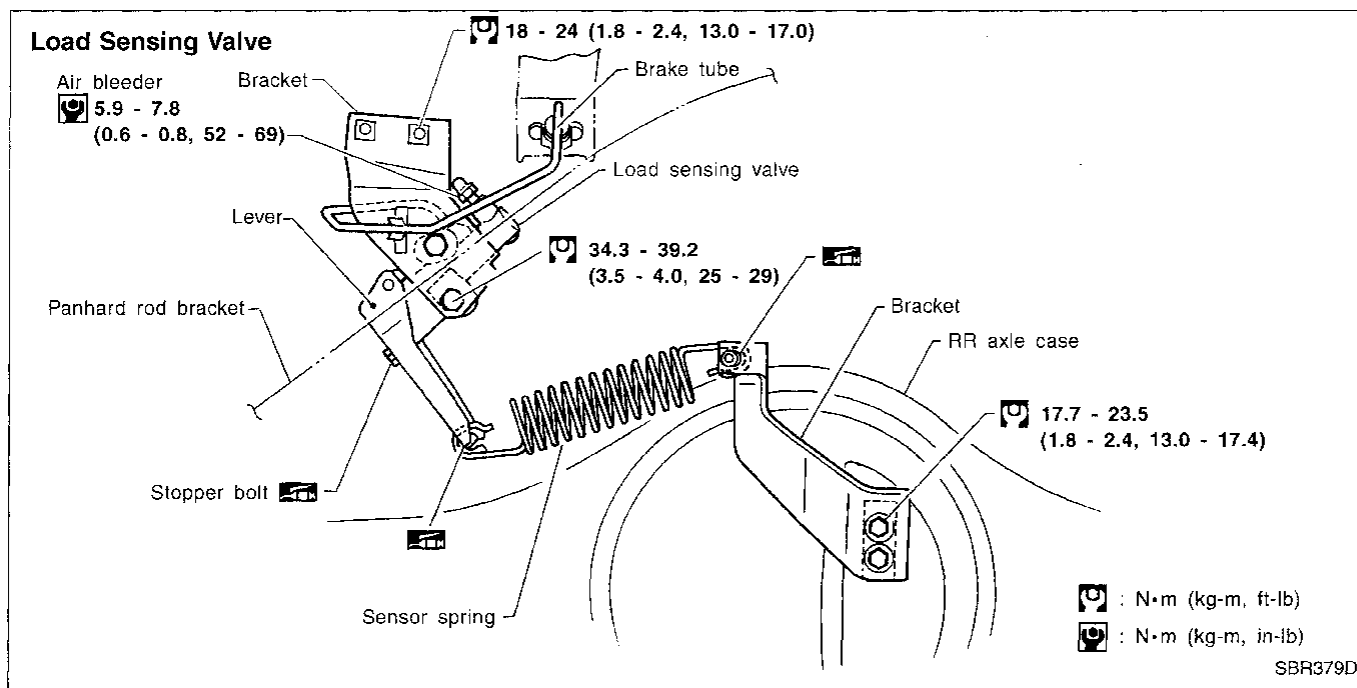
REMOVAL AND INSTALLATION

CAUTION:

- Refill with new brake fluid "DOT 3".
- Be careful not to splash brake fluid on painted areas; it may cause paint damage. If brake fluid is splashed on painted areas, wash it away with water immediately.
- Do not reuse Load Sensing Valve once it is disassembled.
- Replace damaged Load Sensing Valve as an assembly.
- When disassembling, apply multi-purpose grease to all rubbing areas.

BRAKE HYDRAULIC LINE/CONTROL VALVE

Load Sensing Valve (4WD) (Cont'd)



1. Tighten all flare nuts and mounting bolts.

Flare nut:

□ : 15 - 17 N·m (1.5 - 1.8 kg-m, 11 - 13 ft-lb)

2. Refill until new brake fluid comes out of each air bleeder valve.
3. Bleed air. Refer to "Bleeding Brake System", BR-5.

GI

MA

EM

LC

EC

FE

CL

MT

AT

TF

PD

FA

RA

BR

ST

RS

BT

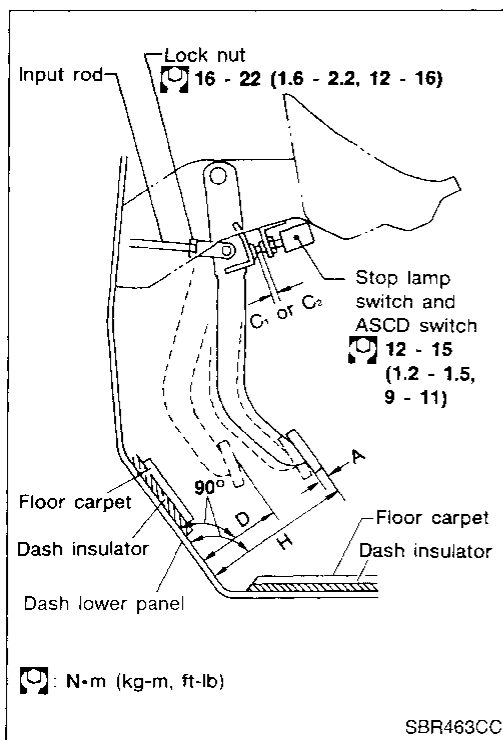
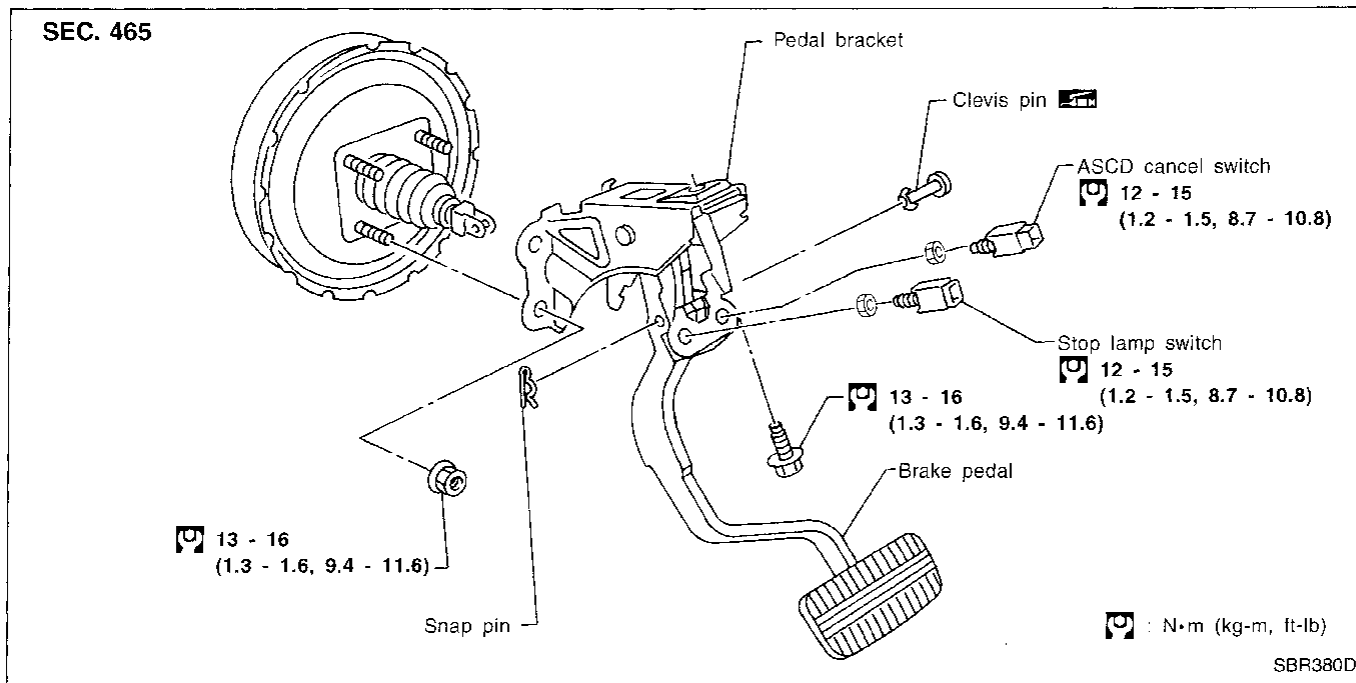
HA

EL

IDX

BRAKE PEDAL AND BRACKET

Removal and Installation



Inspection

Check brake pedal for following items.

- Brake pedal bend
- Clevis pin deformation
- Crack of any welded portion
- Crack or deformation of clevis pin stopper

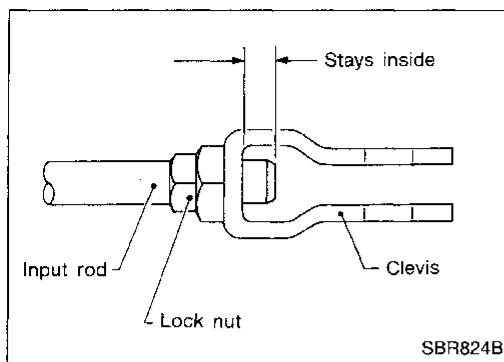
Adjustment

Check brake pedal free height from dash lower panel.

- H: Free height**
Refer to SDS (BR-78).
- D: Depressed height**
Refer to SDS (BR-78).
Under force of 490 N (50 kg, 110 lb) with engine running
- C₁, C₂: Clearance between pedal stopper and threaded end of stop lamp switch and ASCD switch**
0.3 - 1.0 mm (0.012 - 0.039 in)
- A: Pedal free play**
1 - 3 mm (0.04 - 0.12 in)

If necessary, adjust brake pedal free height.

BRAKE PEDAL AND BRACKET



Adjustment (Cont'd)

1. Loosen lock nut and adjust pedal free height by turning brake booster input rod. Then tighten lock nut.

Make sure that tip of input rod stays inside.

2. Adjust clearance "C₁" and "C₂" with stop lamp switch and ASCD switch respectively. Then tighten lock nuts.
3. Check pedal free play.

Make sure that stop lamp is off when pedal is released.

4. Check brake pedal's depressed height while engine is running. If depressed height is below specified value, check brake system for leaks, accumulation of air or any damage to components (master cylinder, wheel cylinder, etc.). Then make necessary repairs.

GI

MA

EM

LC

EC

FE

CL

MT

AT

TF

PD

FA

RA

BR

ST

RS

BT

HA

EL

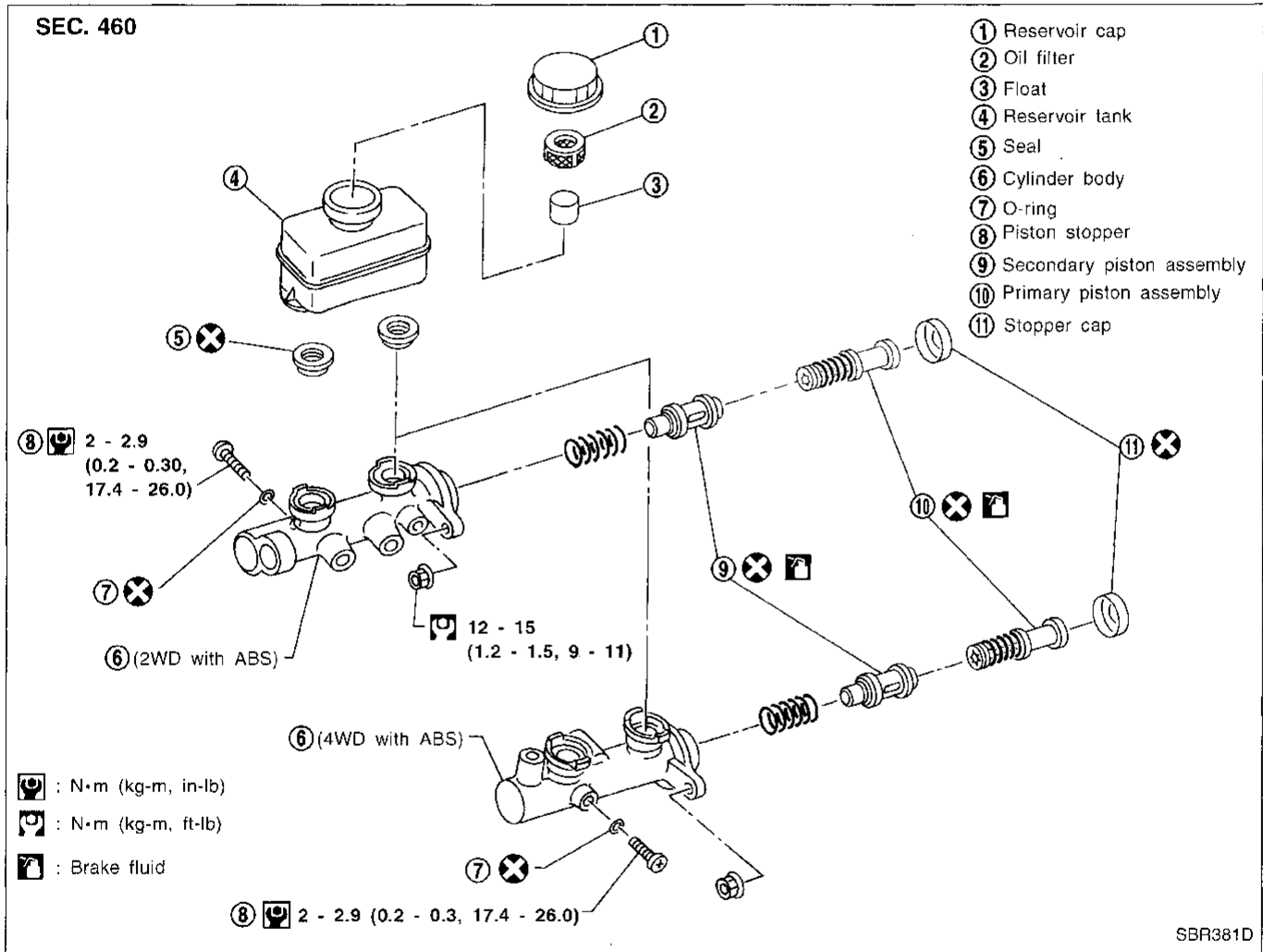
IDX

MASTER CYLINDER

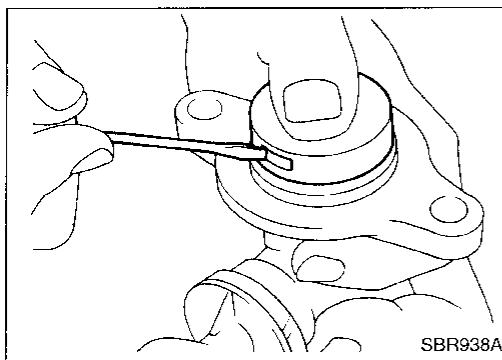
Removal

CAUTION:

- Be careful not to splash brake fluid on painted areas; it may cause paint damage. If brake fluid is splashed on painted areas, wash it away with water immediately.
 - In the case of brake fluid leakage from the master cylinder, disassemble the cylinder. Then check piston cups for deformation or scratches and replace necessary parts.
1. Connect a vinyl tube to air bleeder valve.
 2. Drain brake fluid from each air bleeder valve, depressing brake pedal to empty fluid from master cylinder.
 3. Remove brake pipe flare nuts.
 4. Remove master cylinder mounting nuts.

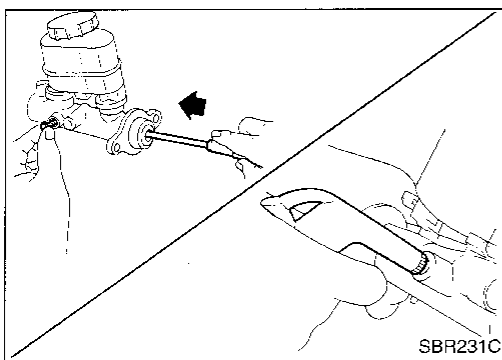


MASTER CYLINDER



Disassembly

1. Bend claws of stopper cap outward.



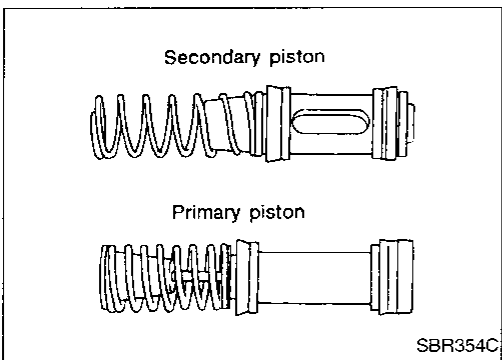
2. Remove piston stopper while piston is pushed into cylinder (Models with ABS only).
3. Remove piston assemblies.

If it is difficult to remove secondary piston assembly, gradually apply compressed air through fluid outlet.

4. Draw out reservoir tank.

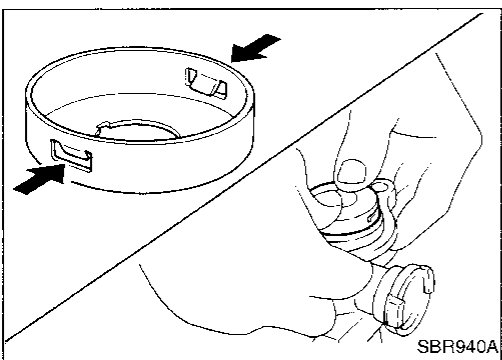
Inspection

Check master cylinder inner wall for pin holes or scratches. Replace if damaged.



Assembly

1. Insert secondary piston assembly. Then insert primary piston assembly.
 - Pay attention to direction of piston cups in figure at left. Also, insert pistons squarely to avoid scratches on cylinder bore.
 - Pay attention to alignment of secondary piston slit with valve stopper mounting hole of cylinder body (Models with ABS only).

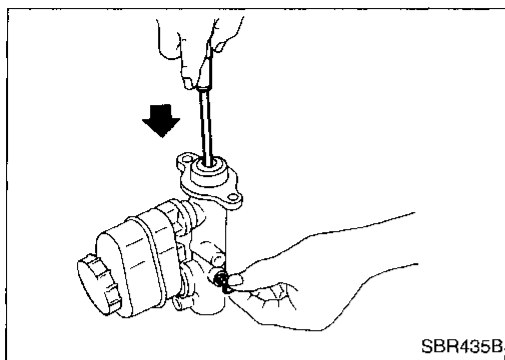


2. Install stopper cap.
Before installing stopper cap, ensure that claws are bent inward.
3. Push reservoir tank seals into cylinder body.
4. Push reservoir tank into cylinder body.

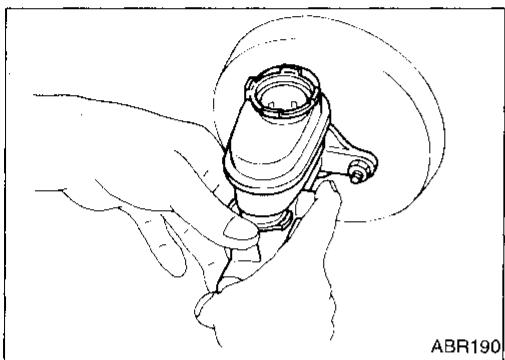
CI
MA
EM
LG
EC
FE
CL
MT
AT
TF
PD
FA
RA
BR
ST
RS
BT
HA
EL
IDX

MASTER CYLINDER

Assembly (Cont'd)



5. Install valve stopper while piston is pushed into cylinder (Model with ABS only).

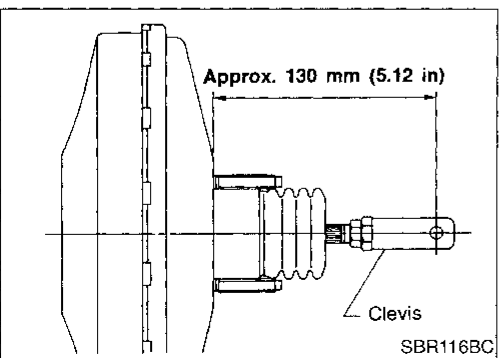
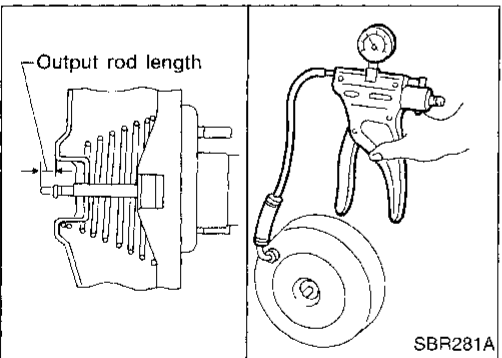
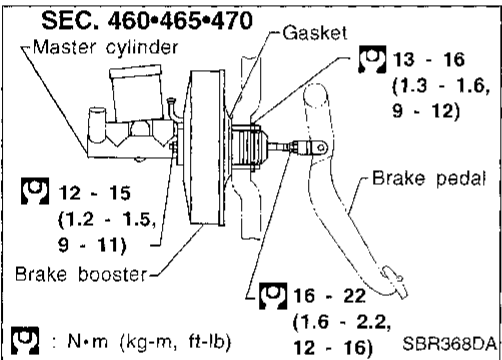
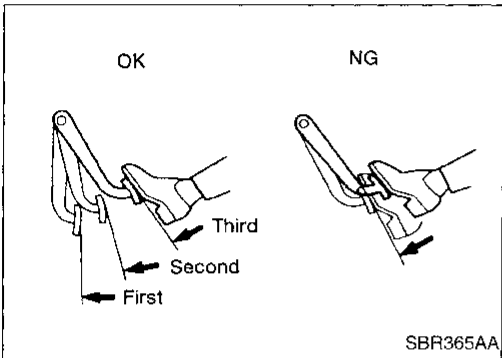
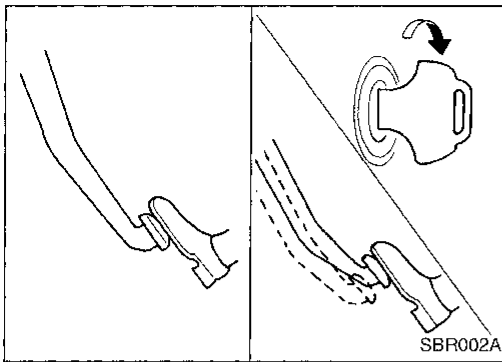


Installation

CAUTION:

- Refill with new brake fluid "DOT 3".
 - Never reuse drained brake fluid.
1. Place master cylinder onto brake booster and secure mounting nuts lightly.
 2. Torque mounting nuts.
Ⓜ: 12 - 15 N·m (1.2 - 1.5 kg-m, 9 - 11 ft-lb)
 3. Fill up reservoir tank with new brake fluid.
 4. Plug all ports on master cylinder with fingers to prevent air suction while releasing brake pedal.
 5. Have driver depress brake pedal slowly several times until no air comes out of master cylinder.
 6. Fit brake lines to master cylinder.
 7. Tighten flare nuts.
Ⓜ: 15 - 17 N·m (1.5 - 1.8 kg-m, 11 - 13 ft-lb)
 8. Bleed air. Refer to "Bleeding Brake System", BR-5.

BRAKE BOOSTER



Brake Booster

ON-VEHICLE SERVICE

Operating check

- Depress brake pedal several times with engine off. After exhausting vacuum, make sure there is no change in pedal stroke.
- Depress brake pedal, then start engine. If pedal goes down slightly, operation is normal.

Airtight check

- Start engine, and stop it after one or two minutes. Depress brake pedal several times slowly. Booster is airtight if pedal stroke is less each time.
- Depress brake pedal while engine is running, and stop engine with pedal depressed. The pedal stroke should not change after holding pedal down for **30 seconds**.

REMOVAL

CAUTION:

- Be careful not to splash brake fluid on painted areas; it may cause paint damage. If brake fluid is splashed on painted areas, wash it away with water immediately.
- Be careful not to deform or bend brake pipes, during removal of booster.

INSPECTION

Output rod length check

1. Apply vacuum of -66.7 kPa (-500 mmHg , -19.69 inHg) to brake booster with a hand vacuum pump.
2. Check output rod length.

Specified length:

10.275 - 10.525 mm (0.4045 - 0.4144 in)

INSTALLATION

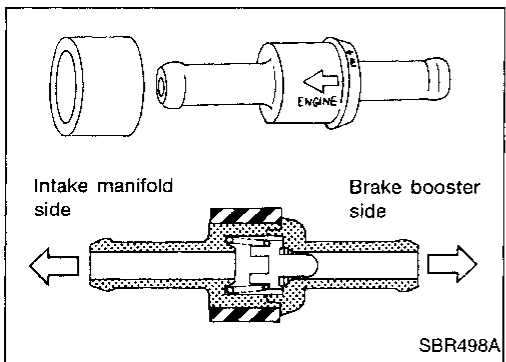
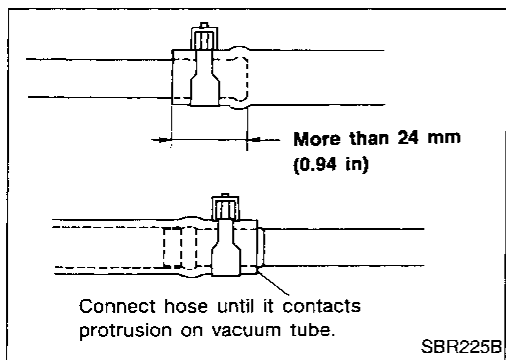
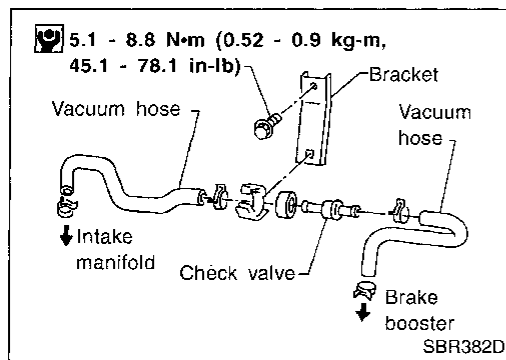
CAUTION:

- Be careful not to deform or bend brake pipes during installation of booster.
- Replace clevis pin if damaged.
- Refill with new brake fluid "DOT 3".
- Never reuse drained brake fluid.
- Take care not to damage brake booster mounting bolt thread when installing. Due to the narrow angle of installation, the threads can be damaged by the dash panel.

BRAKE BOOSTER

Brake Booster (Cont'd)

1. Before fitting booster, temporarily adjust clevis to dimension shown.
2. Fit booster, then secure mounting nuts (brake pedal bracket to brake booster) lightly.
3. Connect brake pedal and booster input rod with clevis pin.
4. Secure mounting nuts.
Specification: 13 - 16 N·m (1.3 - 1.6 kg-m, 9 - 12 ft-lb)
5. Install master cylinder. Refer to "Installation" in "MASTER CYLINDER", BR-16.
6. Adjust brake pedal height and free play.
Refer to "Adjustment" in "BRAKE PEDAL AND BRACKET", BR-12.
7. Secure lock nut for clevis.
□: 16 - 22 N·m (1.6 - 2.2 kg-m, 12 - 16 ft-lb)
8. Bleed air. Refer to "Bleeding Brake System", BR-5.



Vacuum Hose

REMOVAL AND INSTALLATION

CAUTION:

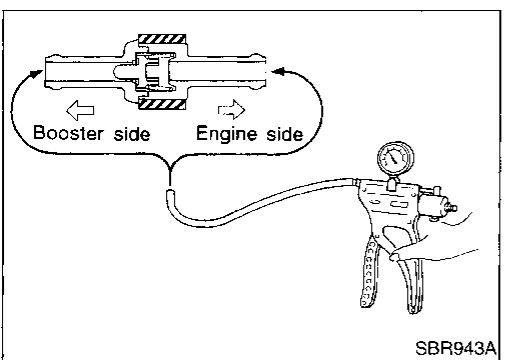
When installing vacuum hoses, pay attention to the following points.

- Do not apply any oil or lubricants to vacuum hose and check valve.
- Insert vacuum tube into vacuum hose as shown.
- Install check valve, paying attention to its direction.

INSPECTION

Hoses and connectors

Check vacuum lines, connections and check valve for airtightness, improper attachment chafing and deterioration.



Check valve

Check vacuum with a vacuum pump.

Connect to booster side	Vacuum should exist.
Connect to engine side	Vacuum should not exist.

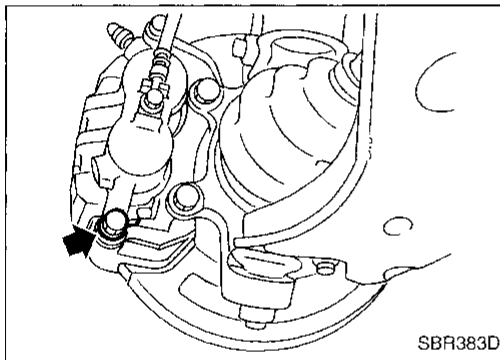
Pad Replacement

WARNING:

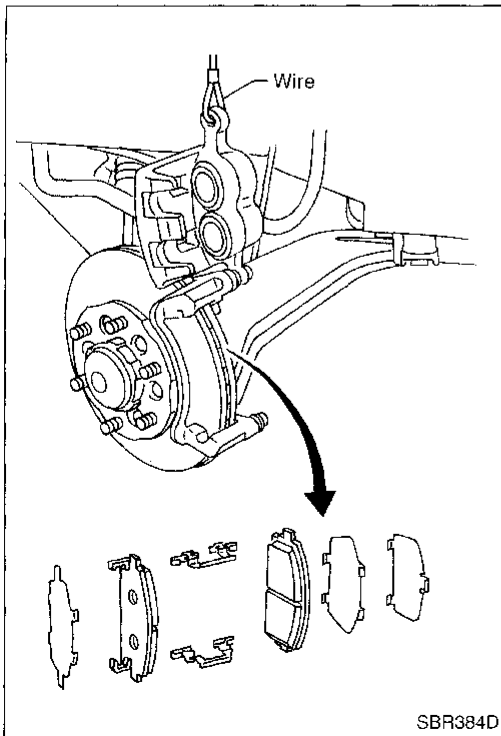
Clean brakes with a vacuum dust collector to minimize the hazard of airborne particles or other materials.

CAUTION:

- When cylinder body is open, do not depress brake pedal, or piston will pop out.
- Be careful not to damage piston boot or get oil on rotor. Always replace shims when replacing pads.
- If shims are rusted or show peeling of the rubber coat, replace them with new shims.
- It is not necessary to remove connecting bolt except for disassembly or replacement of caliper assembly. In this case, suspend cylinder body with wire so as not to stretch brake hose.
- Carefully monitor brake fluid level because brake fluid will return to reservoir when pushing back piston.



1. Remove master cylinder reservoir cap.
2. Remove lower pin bolt.



3. Open cylinder body upward. Then remove pad retainers, and inner and outer shims.

Standard pad thickness:

11.0 mm (0.433 in)

Pad wear limit:

2.0 mm (0.079 in)

Carefully monitor brake fluid level because brake fluid will return to reservoir when pushing back piston.

FRONT DISC BRAKE

SEC. 440

: N·m (kg-m, ft-lb)

: N·m (kg-m, in-lb)

(P): PBC (Poly Butyl Cuprysil) grease or silicon-based grease point

(R): Rubber grease point

(B): Brake fluid point

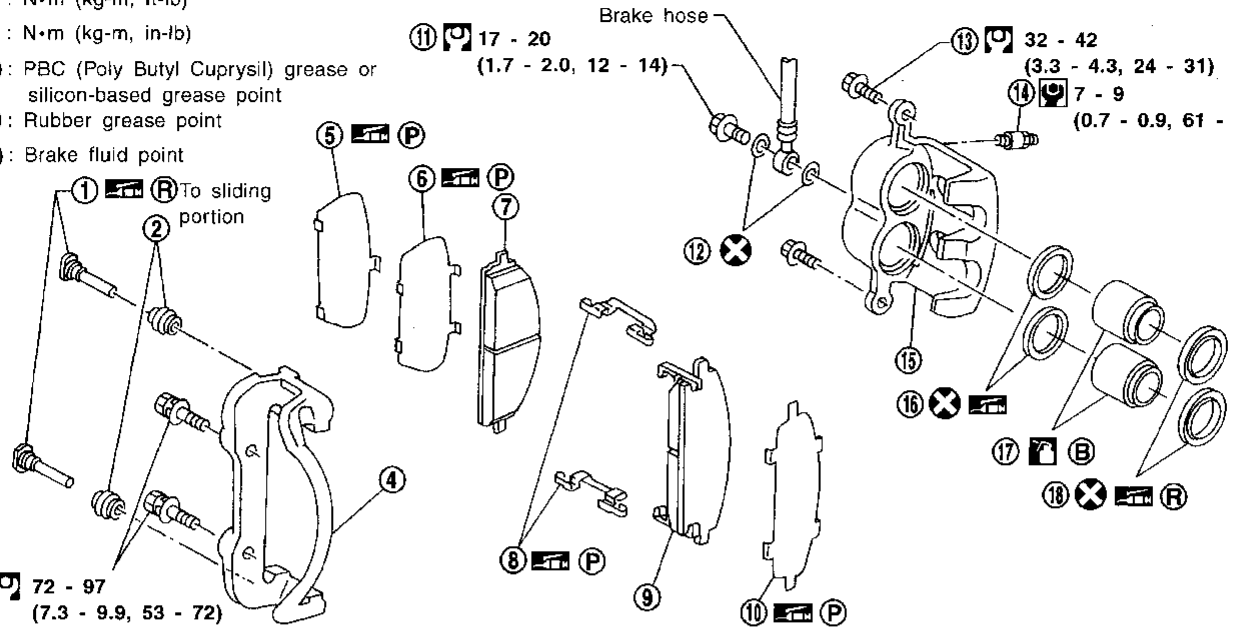
(R) To sliding portion

72 - 97
(7.3 - 9.9, 53 - 72)

17 - 20
(1.7 - 2.0, 12 - 14)

32 - 42
(3.3 - 4.3, 24 - 31)

7 - 9
(0.7 - 0.9, 61 - 78)



SBR385D

- ① Main pin
- ② Pin boot
- ③ Torque member fixing bolt
- ④ Torque member
- ⑤ Shim cover
- ⑥ Inner shim

- ⑦ Inner pad
- ⑧ Pad retainer
- ⑨ Outer pad
- ⑩ Outer shim
- ⑪ Connecting bolt
- ⑫ Copper washer

- ⑬ Main pin bolt
- ⑭ Bleed valve
- ⑮ Cylinder body
- ⑯ Piston seal
- ⑰ Piston
- ⑱ Piston boot

GI

MA

EM

LC

EC

FE

CL

MT

AT

TF

PD

FA

RA

BR

ST

RS

BT

HA

EL

IDX

FRONT DISC BRAKE

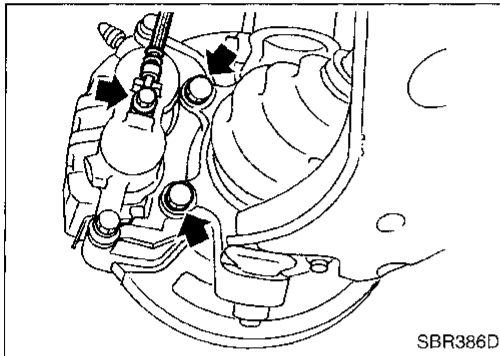
Removal

WARNING:

Clean brake pads with a vacuum dust collector to minimize the hazard of airborne particles or other materials.

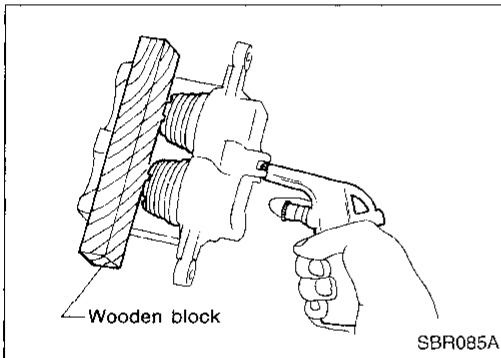
CAUTION:

Suspend caliper assembly with wire so as not to stretch brake hose.



Remove torque member fixing bolts and connecting bolt.

It is not necessary to remove connecting bolt except for disassembly or replacement of caliper assembly. In this case, suspend caliper assembly with wire so as not to stretch brake hose.



Disassembly

WARNING:

Do not place your fingers in front of piston.

CAUTION:

Do not scratch or score cylinder wall.

1. Push out piston with dust seal with compressed air.
2. Remove piston seal with a suitable tool.

Inspection — Caliper

CYLINDER BODY

- Check inside surface of cylinder for score, rust, wear, damage or presence of foreign objects. If any of the above conditions are observed, replace cylinder body.
- Minor damage from rust or foreign objects may be eliminated by polishing surface with a fine emery paper. Replace cylinder body if necessary.

CAUTION:

Use brake fluid to clean. Never use mineral oil.

PISTON

Check piston for score, rust, wear, damage or presence of foreign objects. Replace if any of the above conditions are observed.

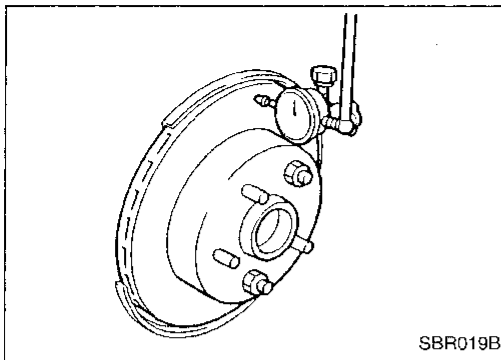
CAUTION:

Piston sliding surface is plated. Do not polish with emery paper even if rust or foreign objects are stuck to sliding surface.

SLIDE PIN, PIN BOLT AND PIN BOOT

Check for wear, cracks, rust or other damage. Replace if any of the above conditions are observed.

FRONT DISC BRAKE



Inspection — Rotor

RUNOUT

1. Secure rotor to wheel hub with at least two nuts (M12 × 1.25).
2. Check runout using a dial indicator.

Make sure that wheel bearing axial end play is within the specifications before measuring. Refer to “Front Wheel Bearing” in FA section.

Maximum runout:

0.1 mm (0.004 in)

3. If the runout is out of specification, find minimum runout position as follows:
 - a. Remove nuts and rotor from wheel hub.
 - b. Shift the rotor one hole and secure rotor to wheel hub with nuts.
 - c. Measure runout.
 - d. Repeat steps a. to c. so that minimum runout position can be found.
4. If the runout is still out of specification, turn rotor with on-car brake lathe (“MAD, DL-8700”, “AMMCO 700 and 705” or equivalent).

GI

MA

EM

LC

EC

FE

CL

MT

AT

TF

PD

FA

RA

BR

ST

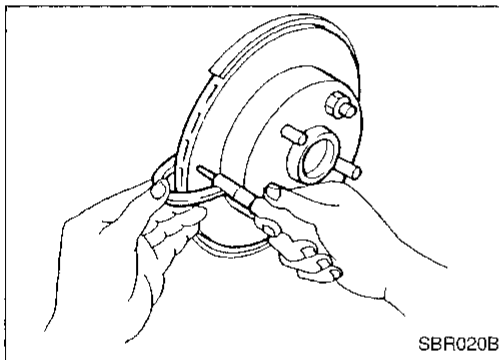
RS

BT

HA

EL

IDX



THICKNESS

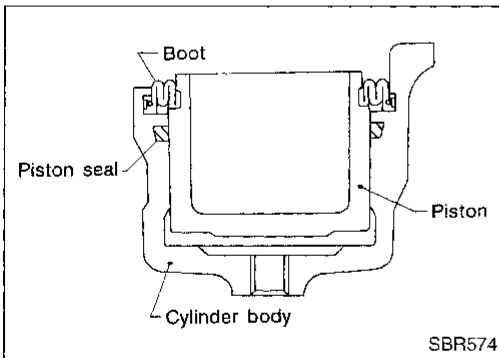
Thickness variation (At least 8 positions):

Maximum 0.015 mm (0.0006 in)

If thickness variation exceeds the specification, turn rotor with on-car brake lathe.

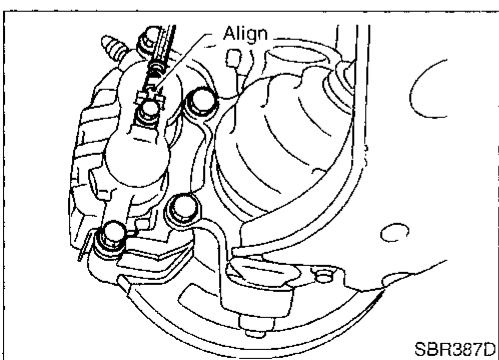
Rotor repair limit:

26.0 mm (1.024 in)



Assembly

1. Insert piston seal into groove on cylinder body.
2. With piston boot fitted to piston, insert piston boot into groove on cylinder body and install piston.
3. Properly secure piston boot



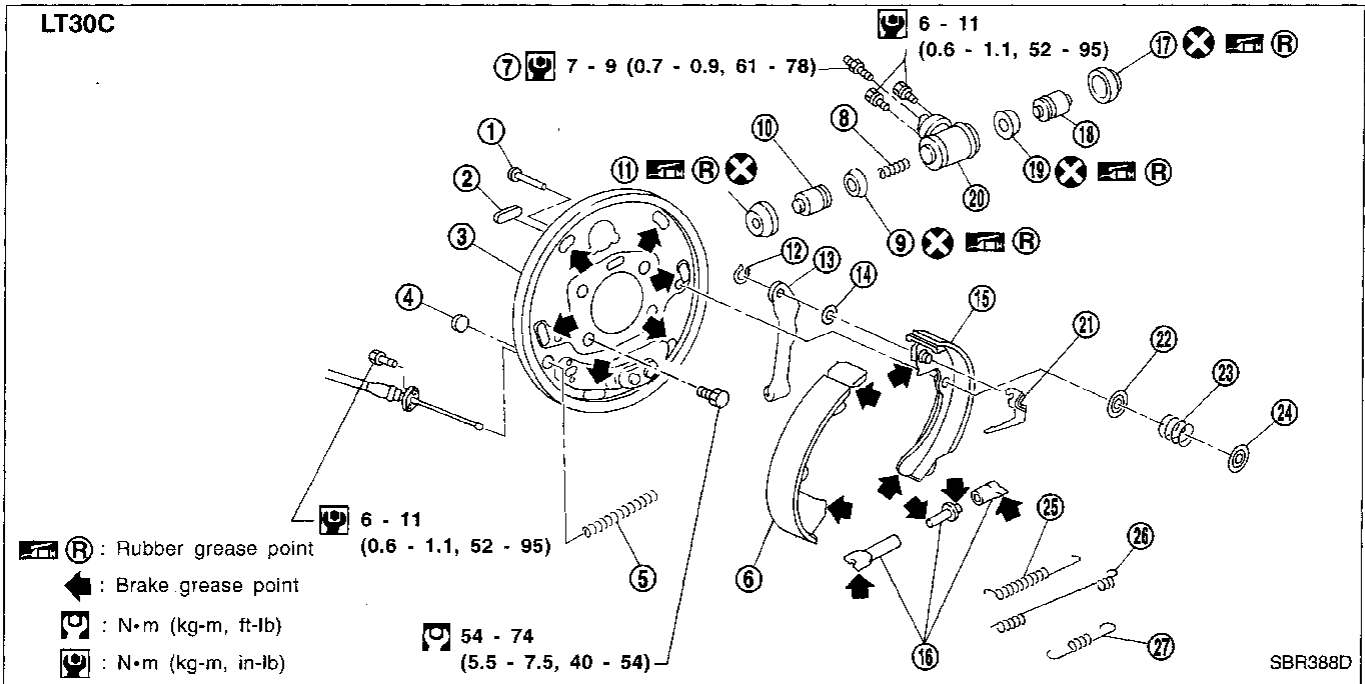
Installation

CAUTION:

- Refill with new brake fluid “DOT 3”.
- Never reuse drained brake fluid.

1. Install caliper assembly.
2. Install brake hose to caliper securely.
3. Install all parts and secure all bolts.
4. Bleed air. Refer to “Bleeding Brake System”, BR-5.

REAR DRUM BRAKE (LT30C)



- | | | | |
|-----------------------|-----------------|------------------------|-------------------------|
| ① Shoe hold pin | ⑧ Spring | ⑮ Shoe (trailing side) | ⑳ Spring seat |
| ② Plug | ⑨ Piston cup | ⑯ Adjuster | ㉑ Shoe hold spring |
| ③ Back plate | ⑩ Piston | ⑰ Boot | ㉒ Retainer |
| ④ Check plug | ⑪ Boot | ⑱ Piston | ㉓ Adjuster spring |
| ⑤ Spring | ⑫ Retainer ring | ㉔ Piston cup | ㉕ Return spring (upper) |
| ⑥ Shoe (leading side) | ⑬ Toggle lever | ㉖ Wheel cylinder | ㉗ Return spring (lower) |
| ⑦ Air bleeder | ⑭ Wave washer | ㉘ Adjuster lever | |

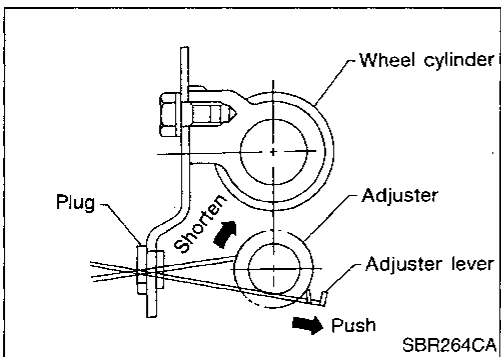
Removal

WARNING:

Clean brake lining with a vacuum dust collector to minimize the hazard of airborne asbestos or other materials.

CAUTION:

Make sure parking brake lever is released completely.



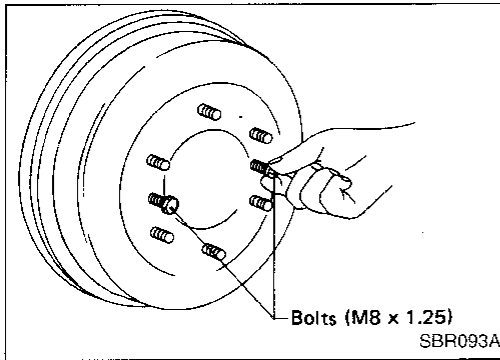
1. Release parking brake lever fully, then remove drum.

If drum is hard to remove, the following procedures should be carried out.

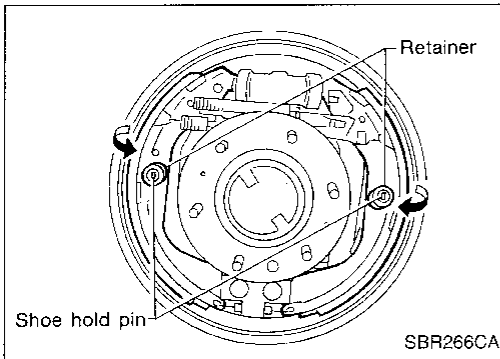
a. Remove plug. Then shorten adjuster to make clearance between brake shoe and drum as shown.

REAR DRUM BRAKE (LT30C)

Removal (Cont'd)



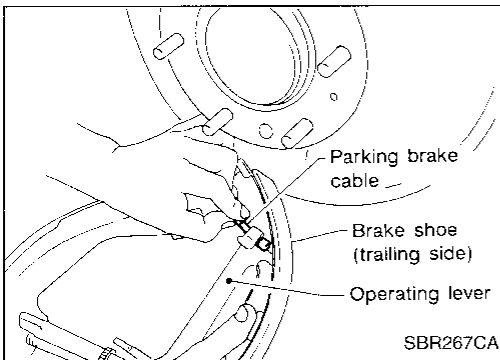
- b. Tighten the two bolts gradually.



2. After removing shoe hold pin by rotating push retainer, remove leading shoe then remove trailing shoe. Remove spring by rotating shoes in direction arrow.

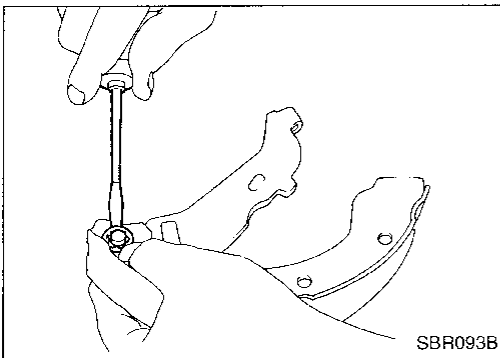
Be careful not to damage wheel cylinder piston boots.

3. Remove adjuster.

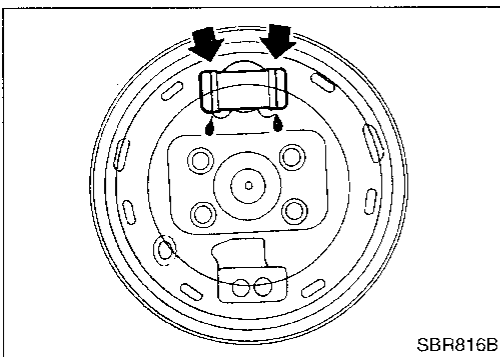


4. Disconnect parking brake cable from toggle lever.

Be careful not to damage parking brake cable when separating it.



5. Remove retainer ring with a suitable tool. Then separate toggle lever and brake shoe.



Inspection — Wheel Cylinder

- Check wheel cylinder for leakage.
- Check for wear, damage and loose conditions. Replace if any such condition exists.

GI

MA

EM

LC

EC

FE

CL

MT

AT

TF

PD

FA

RA

BR

ST

ES

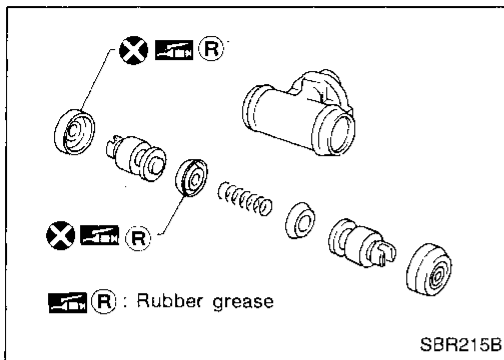
BT

RA

EL

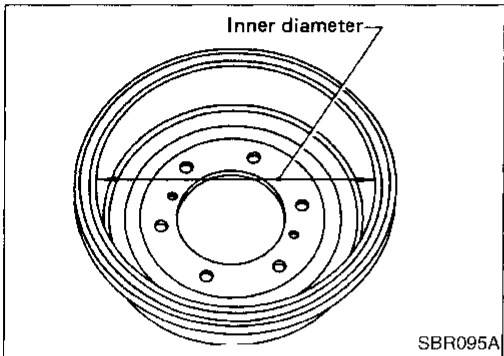
IDX

REAR DRUM BRAKE (LT30C)



Wheel Cylinder Overhaul

- Check all internal parts for wear, rust and damage. Replace if necessary.
- Pay attention so as not to scratch cylinder when installing pistons.



Inspection — Drum

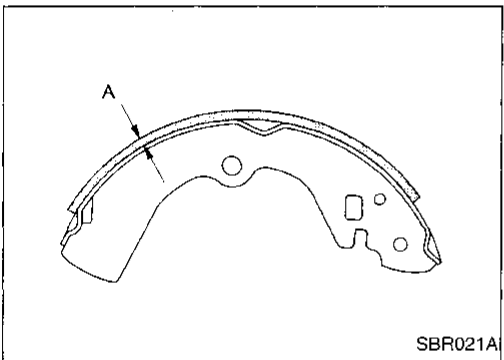
Maximum inner diameter:

296.5 mm (11.67 in)

Out-of-roundness:

0.03 mm (0.0012 in) or less

- Contact surface should be fine finished with No. 120 to 150 emery paper.
- Using a drum lathe, lathe brake drum if it shows scoring, partial wear or stepped wear.
- After brake drum has been completely reconditioned or replaced, check drum and shoes for proper contact pattern.



Inspection — Lining

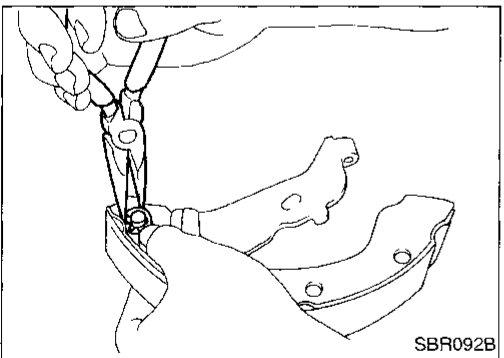
Check lining thickness.

Standard lining thickness:

6.1 mm (0.240 in)

Lining wear limit (A):

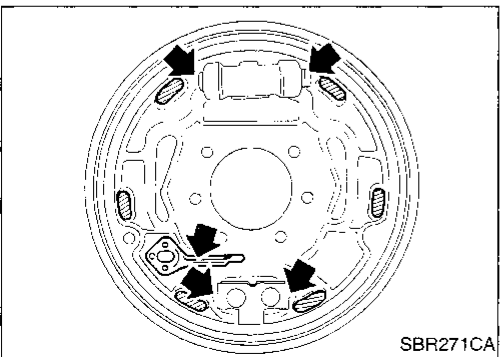
1.5 mm (0.059 in)



Installation

Always perform shoe clearance adjustment. Refer to BR-29.

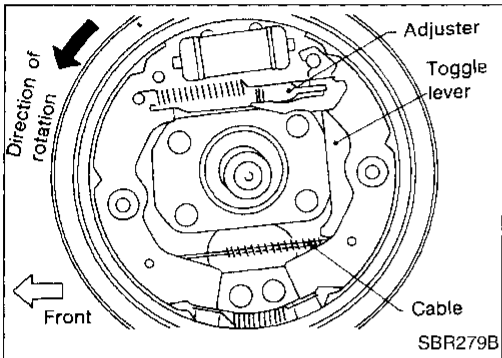
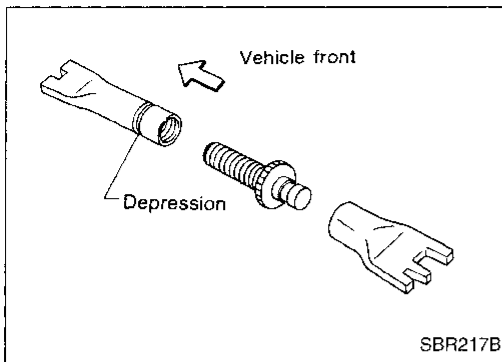
1. Fit toggle lever to brake shoe (trailing side) with retainer ring.



2. Apply brake grease to the contact areas (indicated by arrows and hatching) shown at left.

REAR DRUM BRAKE (LT30C)

Installation (Cont'd)



3. Shorten adjuster by rotating it.

- **Pay attention to direction of adjuster.**

Wheel	Screw	Depression
Left	Left-hand thread	Yes
Right	Right-hand thread	No

4. Connect parking brake cable to toggle lever.

5. Install all parts.

Be careful not to damage wheel cylinder piston boots.

6. Check all parts are installed properly.

Pay attention to direction of adjuster assembly.

7. Install brake drum.

8. When installing new wheel cylinder or overhauling wheel cylinder, bleed air. Refer to "Bleeding Brake System", BR-5.

9. Adjust parking brake. Refer to BR-29.

GT

MA

EM

LC

EC

FE

CL

MT

AT

TF

PD

FA

RA

BR

ST

RS

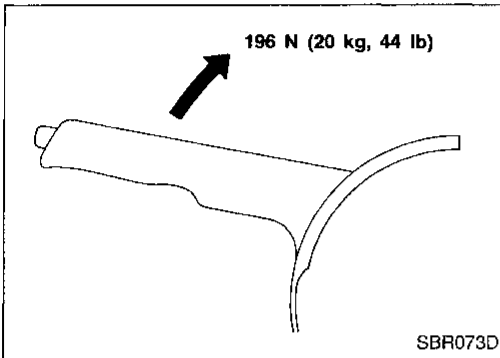
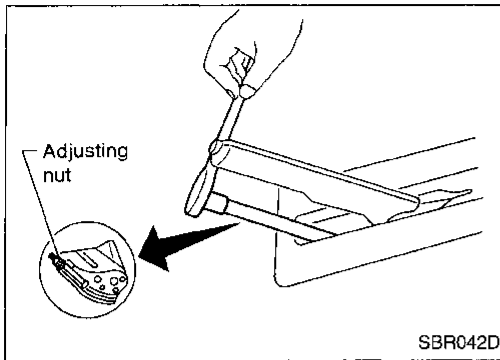
BT

HA

EL

IDX

PARKING BRAKE CONTROL



Adjustment

1. Adjust clearance between shoe and drum as follows:
 - a. Release parking brake lever and loosen adjusting nut.
 - b. Depress brake pedal fully at least 10 times with engine running.
2. Pull control lever 4 - 5 notches. Then adjust control lever by turning adjusting nut.

3. Pull control lever with specified amount of force. Check lever stroke and ensure smooth operation.

Number of notches: 7 - 9

4. Bend warning lamp switchplate to ensure:
 - Warning lamp comes on when lever is lifted "A" notches.
 - Warning lamp goes out when lever is fully released.

Number of "A" notches : 1 or less

GI

MA

EM

LC

EC

FE

CL

MT

AT

TF

PD

FA

RA

BR

ST

RS

BT

HA

EL

IDX

ANTI-LOCK BRAKE SYSTEM

Purpose

The Anti-Lock Brake System (ABS) consists of electronic and hydraulic components. It allows for control of braking force so locking of the wheels can be avoided.

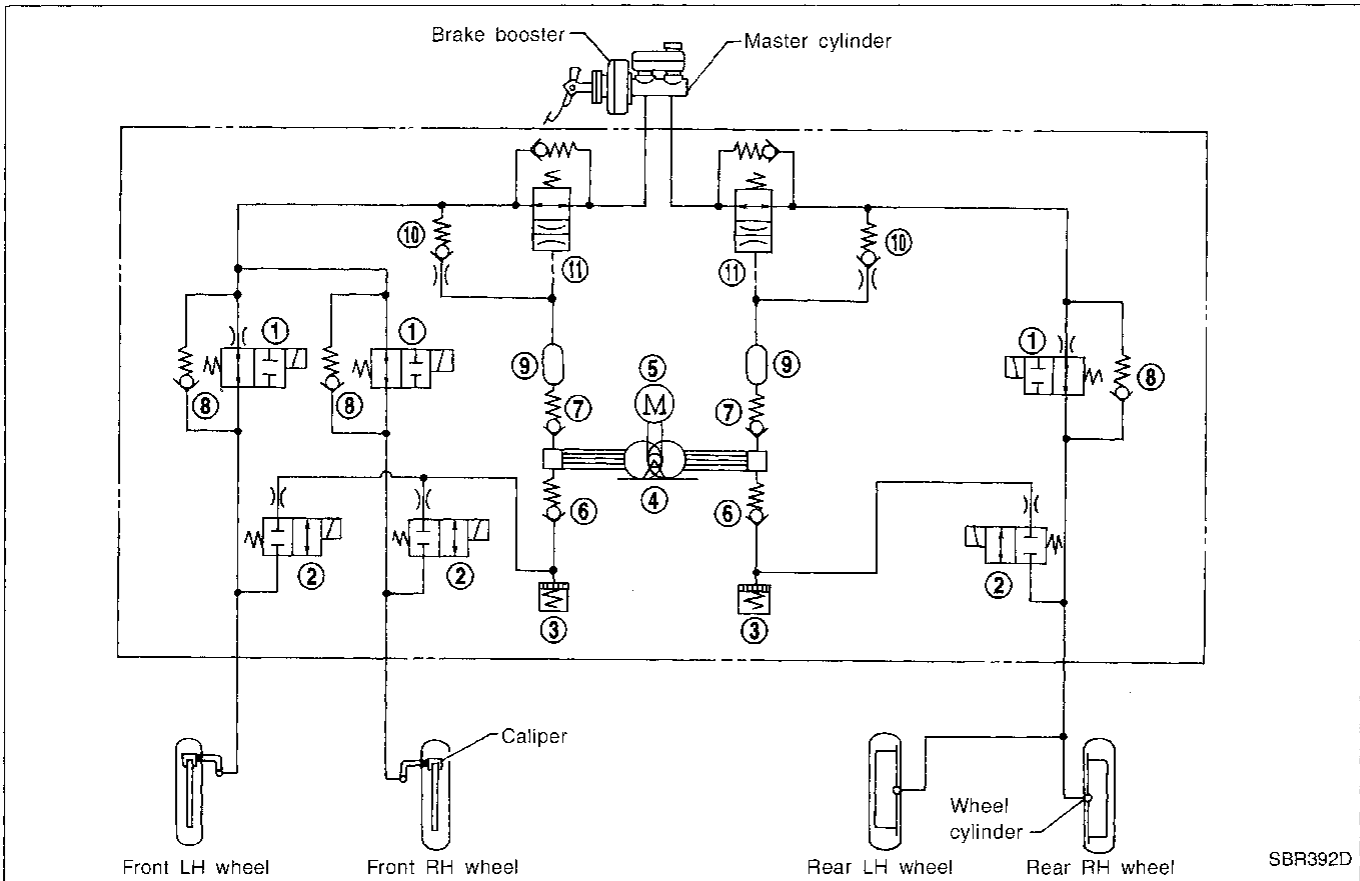
The ABS:

- 1) Improves proper tracking performance through steering wheel operation.
- 2) Eases obstacle avoidance through steering wheel operation.
- 3) Improves vehicle stability.

Operation

- When the vehicle speed is less than 10 km/h (6 MPH) this system does not work.
- The Anti-Lock Brake System (ABS) has a self-test function. The system turns on the ABS warning lamp for 1 second each time the ignition switch is turned "ON". After the engine is started, the ABS warning lamp turns off. The system performs a test the first time the vehicle reaches 6 km/h (4 MPH). A mechanical noise may be heard as the ABS performs this self-test. This is a normal part of the self-test feature. If a malfunction is found during this check, the ABS warning lamp will stay on.
- While driving, a mechanical noise may be heard during ABS operation. This is a normal condition.

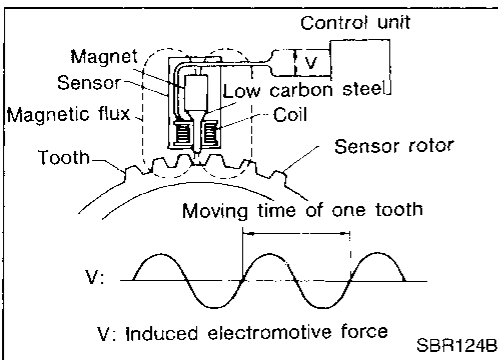
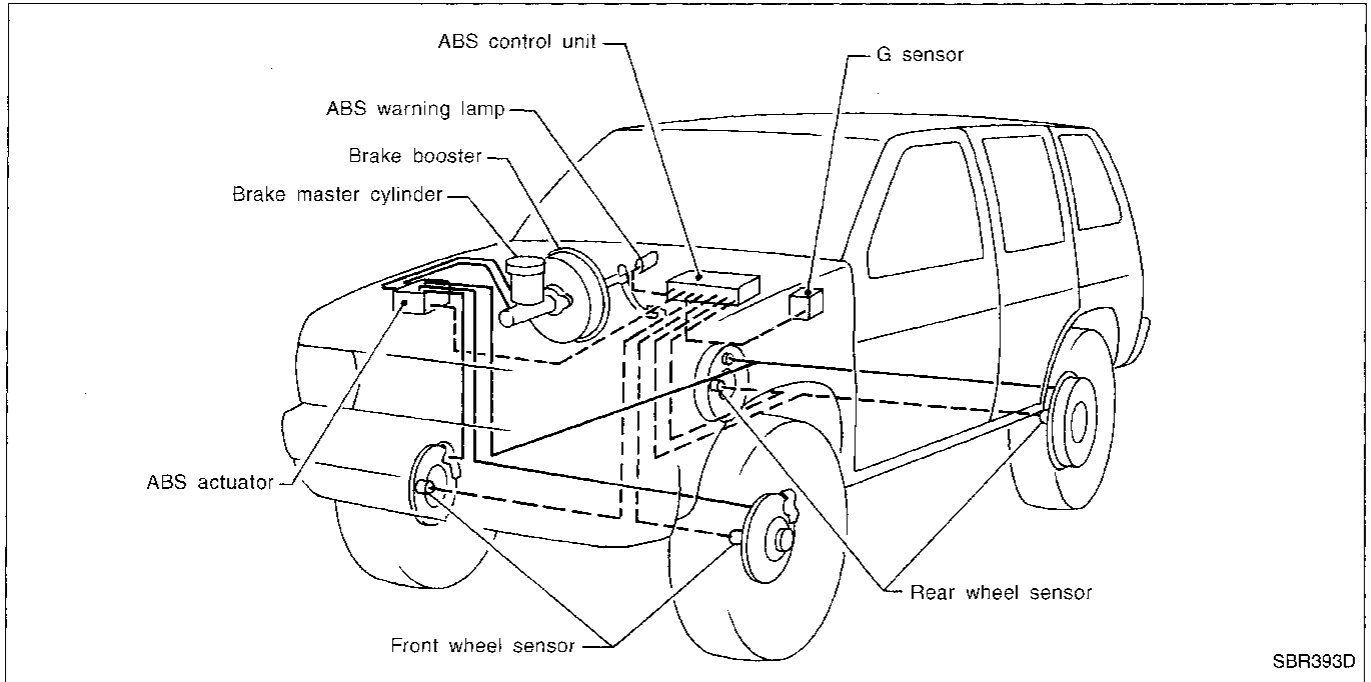
ABS Hydraulic Circuit



- | | | |
|-------------------------|----------------------|-------------------|
| ① Inlet solenoid valve | ⑤ Motor | ⑨ Damper |
| ② Outlet solenoid valve | ⑥ Inlet valve | ⑩ Check valve |
| ③ Reservoir | ⑦ Outlet valve | ⑪ Gradient switch |
| ④ Pump | ⑧ Bypass check valve | |

ANTI-LOCK BRAKE SYSTEM

System Components



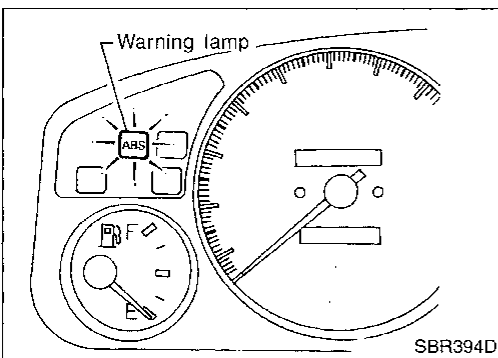
System Description

SENSOR

The sensor unit consists of a gear-shaped sensor rotor and a sensor element. The element contains a bar magnet around which a coil is wound. The sensor is installed on the back of the brake rotor and the back of the rear brake drum. As the wheel rotates, the sensor generates a sine-wave pattern. The frequency and voltage increase(s) as the rotating speed increases.

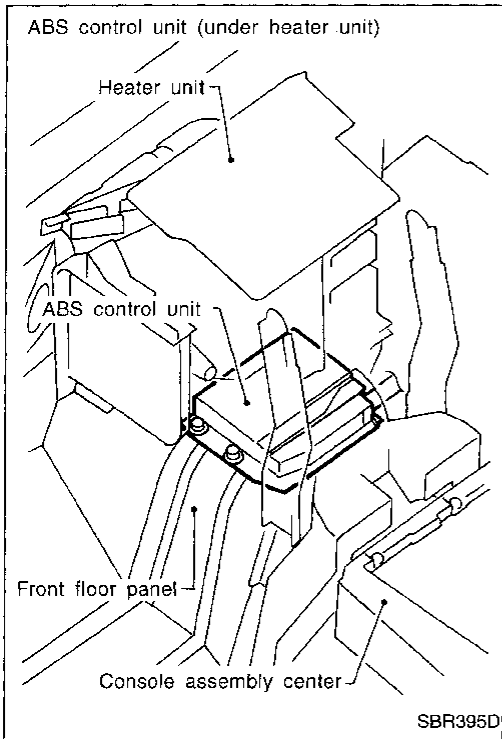
CONTROL UNIT

The control unit computes the wheel rotating speed by the signal current sent from the sensor. Then it supplies a DC current to the actuator solenoid valve. It also controls ON-OFF operation of the valve relay and motor relay. If any electrical malfunction should be detected in the system, the control unit causes the warning lamp to light up. In this condition, the ABS will be deactivated by the control unit, and the vehicle's brake system reverts to normal operation.



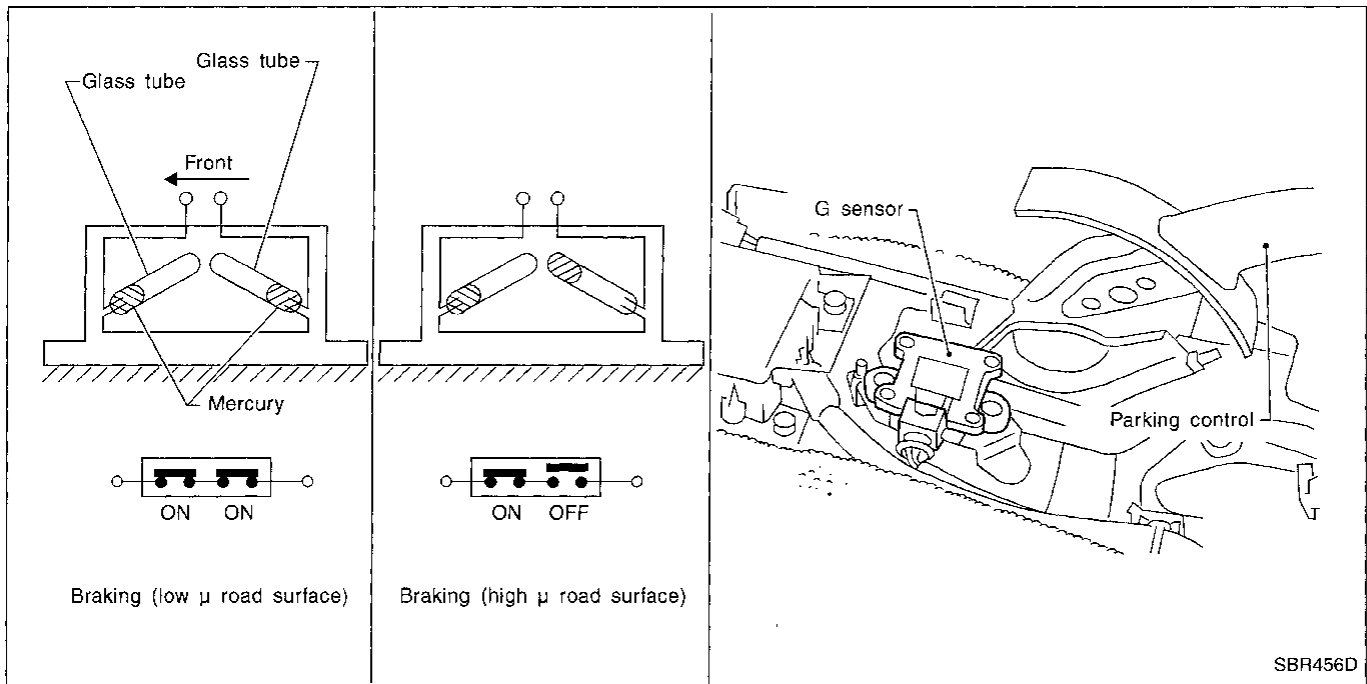
ANTI-LOCK BRAKE SYSTEM

System Description (Cont'd)



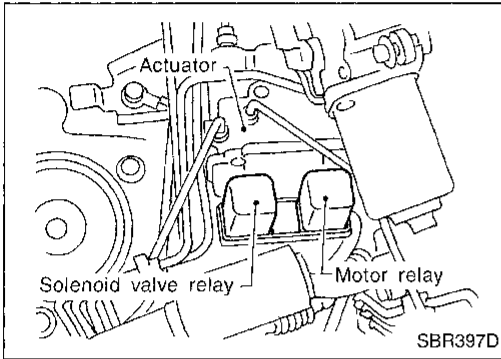
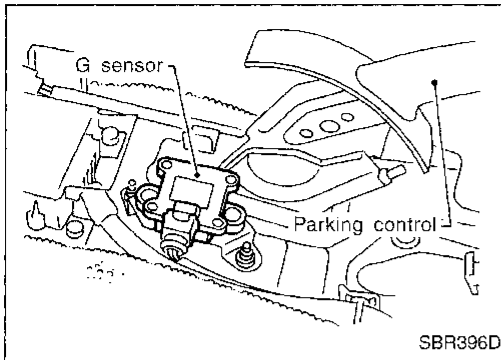
G SENSOR (4WD models only)

The G sensor senses deceleration during braking to determine whether the vehicle is being driven on a high μ road (asphalt road, etc.) or a low μ road (snow-covered road, etc.). It then sends a signal to the ABS control unit.



ANTI-LOCK BRAKE SYSTEM

System Description (Cont'd)



ACTUATOR

The actuator contains:

- An electric motor and pump
- Two relays
- Six solenoid valves, each inlet and outlet for
 - LH front
 - RH front
 - Rear

These components control the hydraulic circuit. The ABS control unit directs the actuator to increase, hold or decrease hydraulic pressure to all or individual wheels.

ABS actuator operation

		Inlet solenoid valve	Outlet solenoid valve	
Normal brake operation		OFF (Open)	OFF (Closed)	Master cylinder brake fluid pressure is directly transmitted to caliper via the inlet solenoid valve.
ABS operation	Pressure hold	ON (Closed)	OFF (Closed)	Hydraulic circuit is shut off to hold the caliper brake fluid pressure.
	Pressure decrease	ON (Closed)	ON (Open)	Caliper brake fluid is sent to reservoir via the outlet solenoid valve. Then it is pushed up to the master cylinder by pump.
	Pressure increase	OFF (Open)	OFF (Closed)	Master cylinder brake fluid pressure is transmitted to caliper.

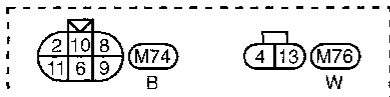
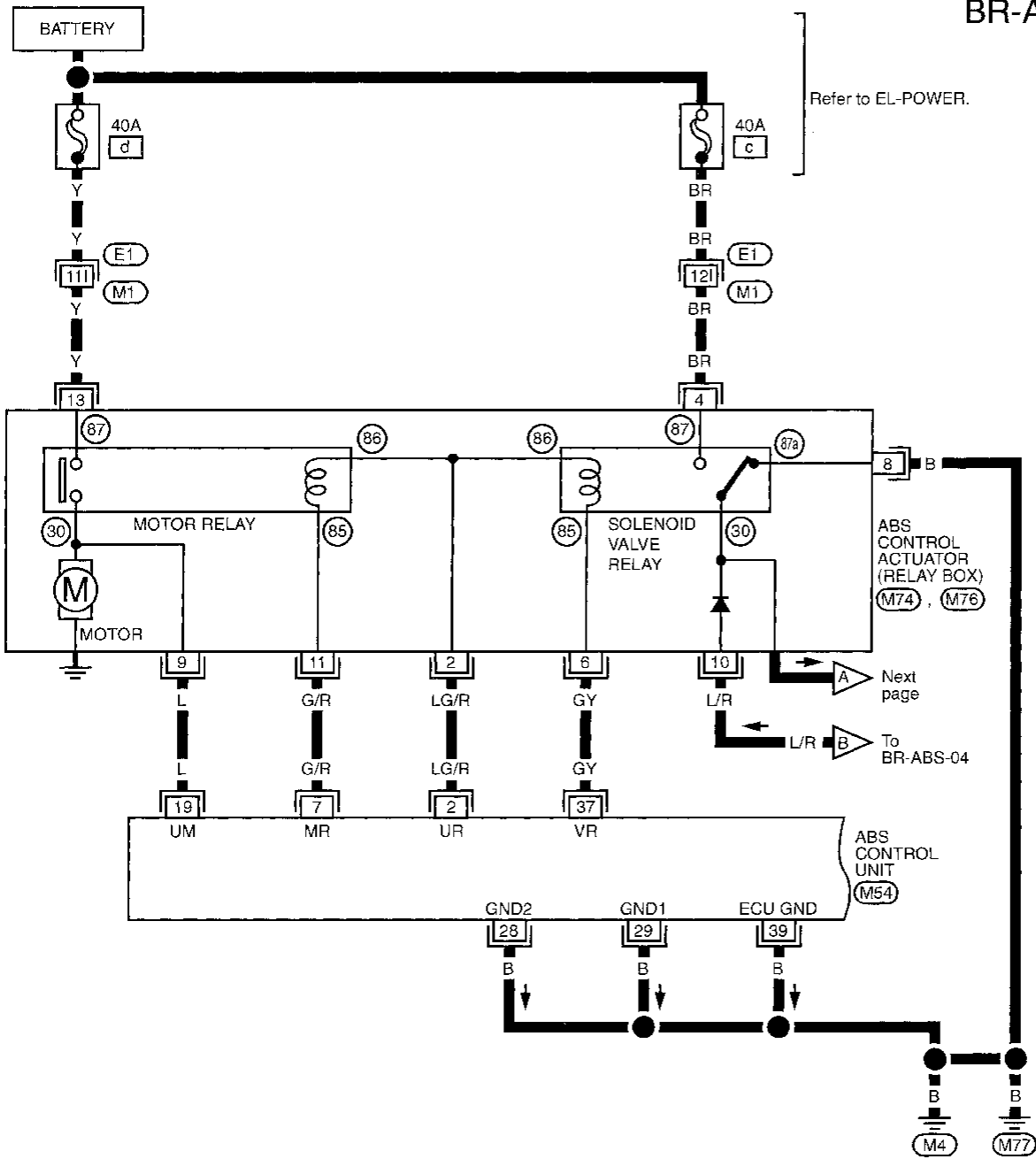
GI
MA
EM
LC
EC
FE
CL
MT
AT
TF
PD
FA
RA
ST
RS
BT
HA
EL
IDX

BR

ANTI-LOCK BRAKE SYSTEM

Wiring Diagram — ABS —

BR-ABS-01



Refer to last page (Foldout page).

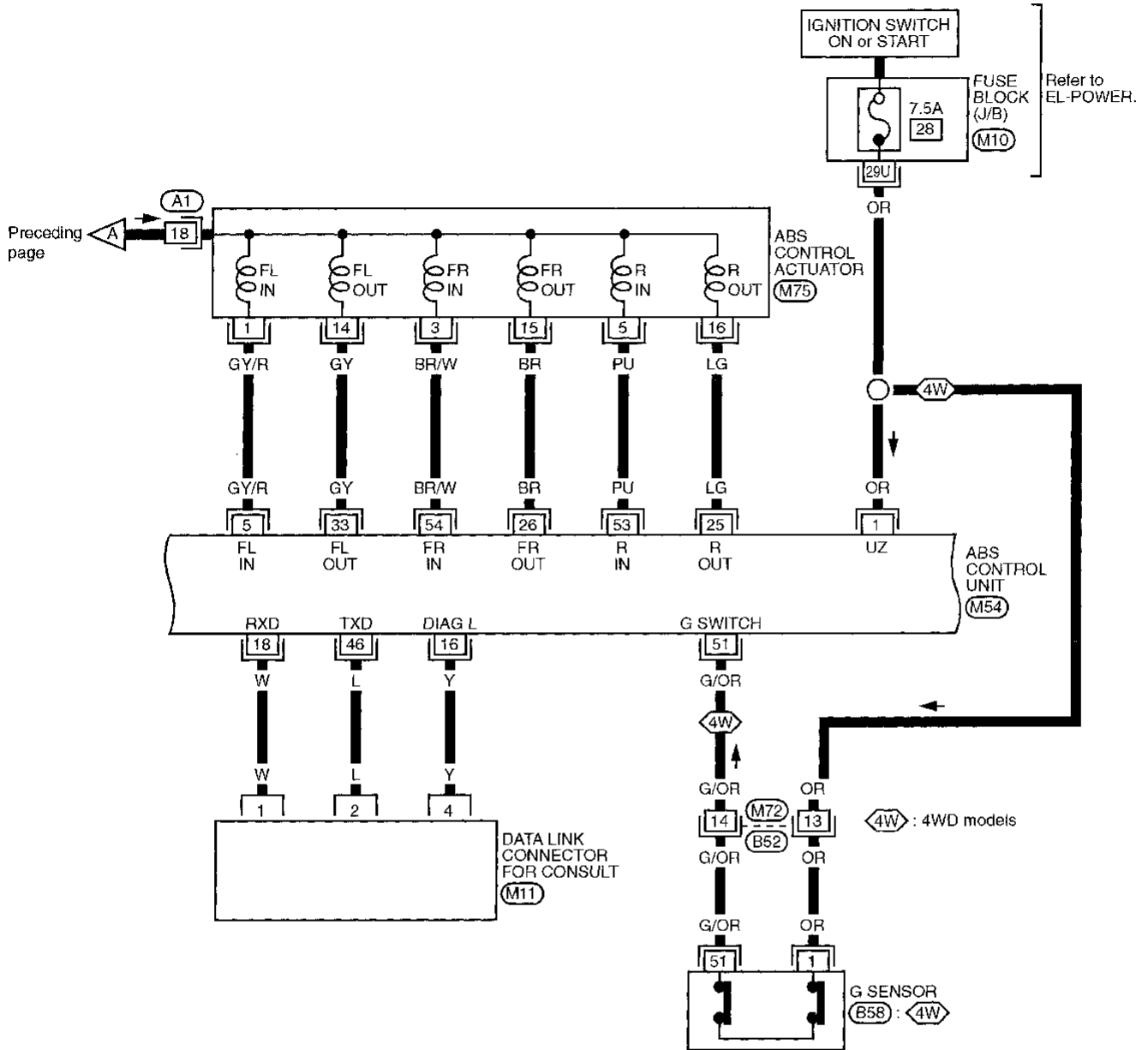
E1, M1
M54

ANTI-LOCK BRAKE SYSTEM

Wiring Diagram — ABS — (Cont'd)

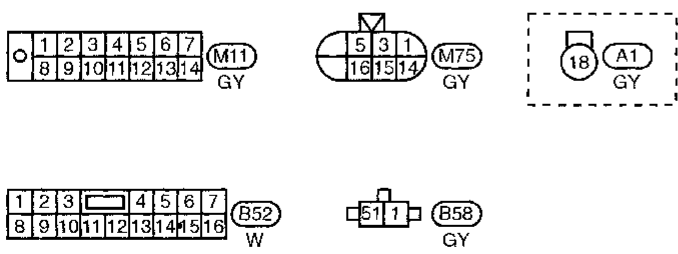
BR-ABS-02

GF
MA
EM
LC
EC
FE
CL
MT
AT
TF
PD
FA
RA
BR
ST
RS
BT
HA
EL
IDX



Refer to last page (Foldout page).

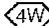
(M10)
(M54)

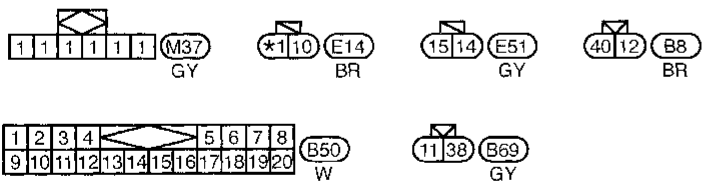
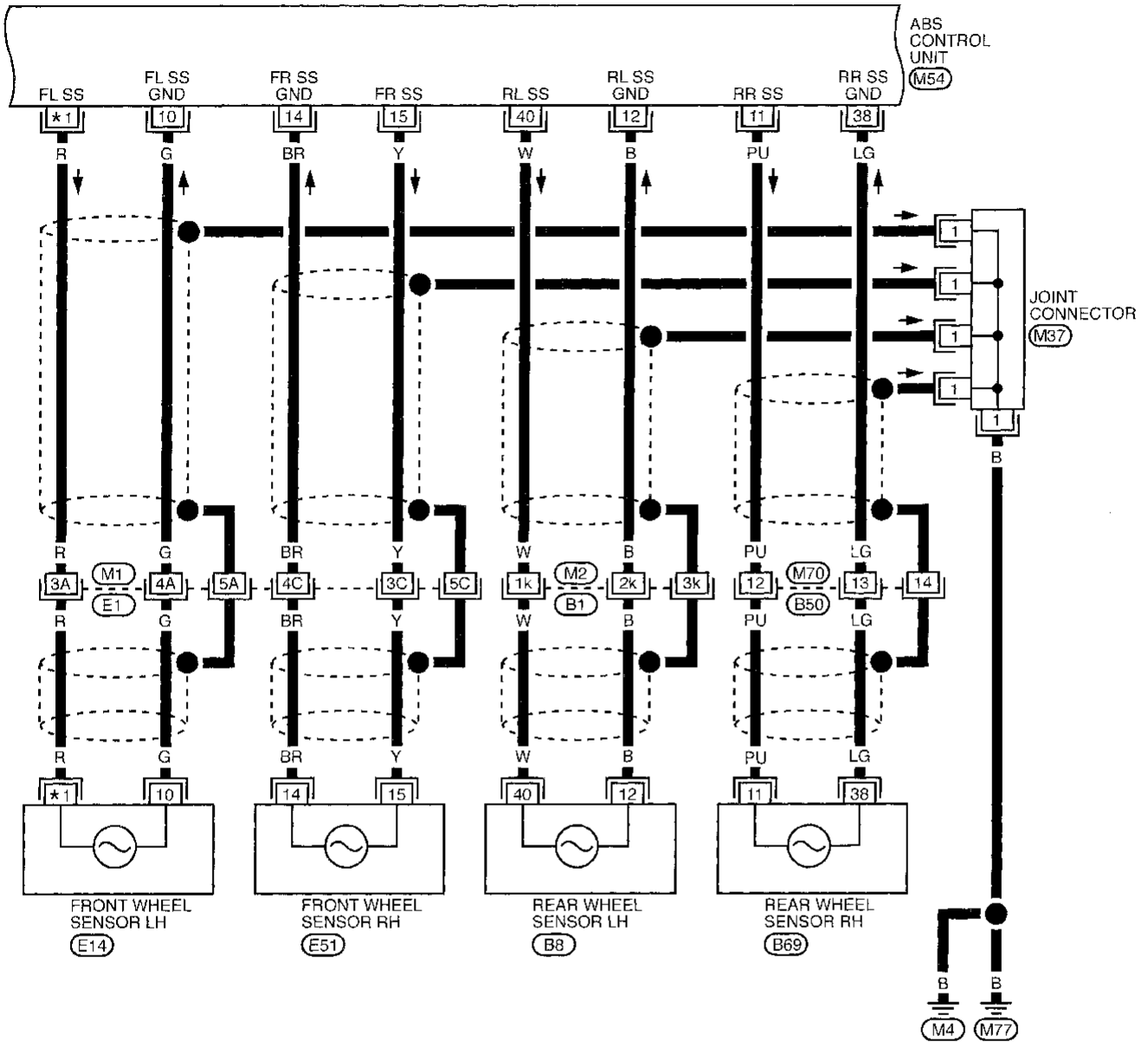


ANTI-LOCK BRAKE SYSTEM

Wiring Diagram — ABS — (Cont'd)

BR-ABS-03

* 1 36 :  : 2WD model
 35 :  : 4WD model



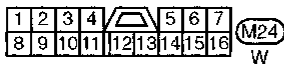
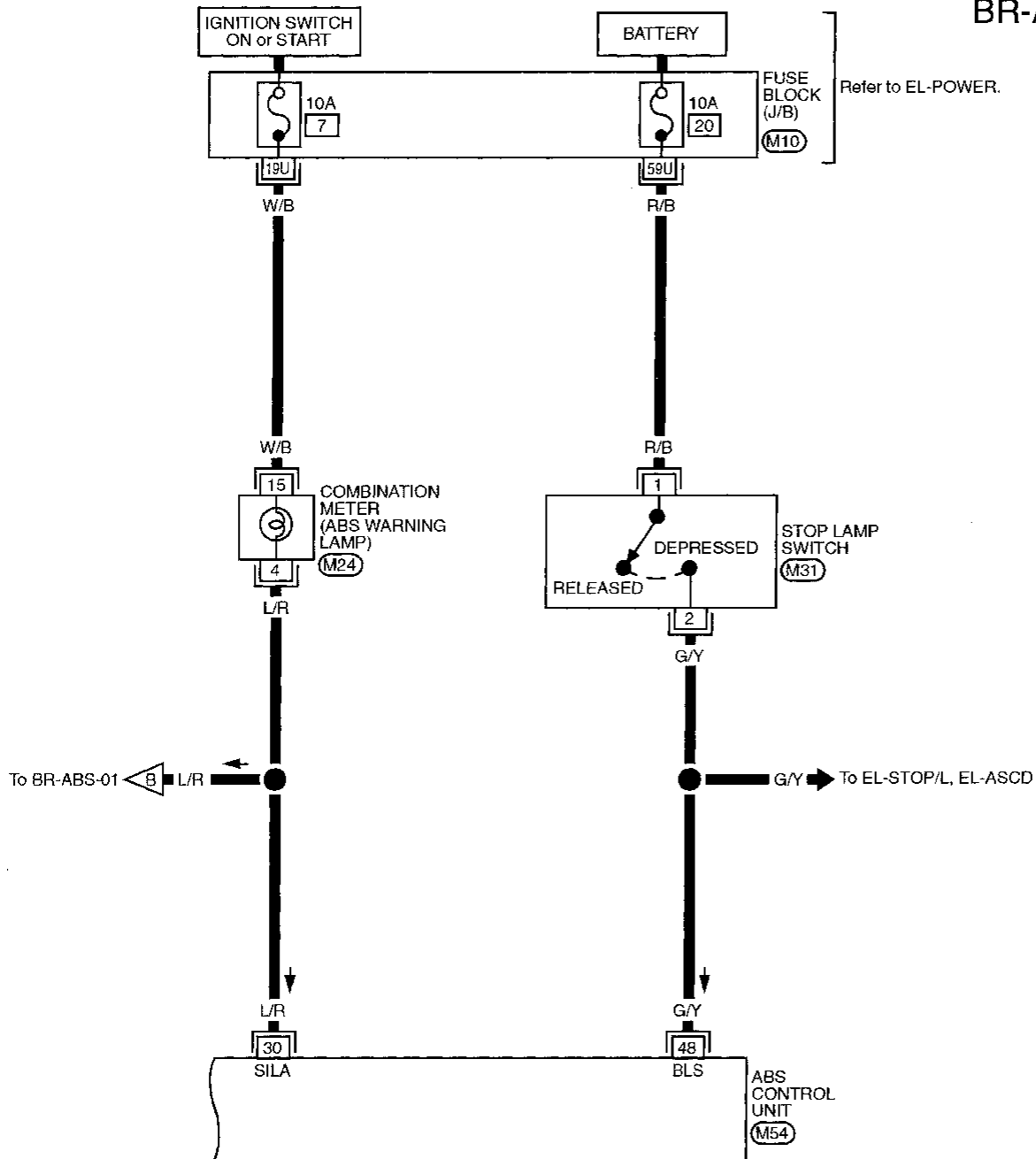
Refer to last page (Foldout page).

- (E1) , (M1)
- (M2) , (B1)
- (M54)

ANTI-LOCK BRAKE SYSTEM

Wiring Diagram — ABS — (Cont'd)

BR-ABS-04



Refer to last page (Foldout page).

M10

M54

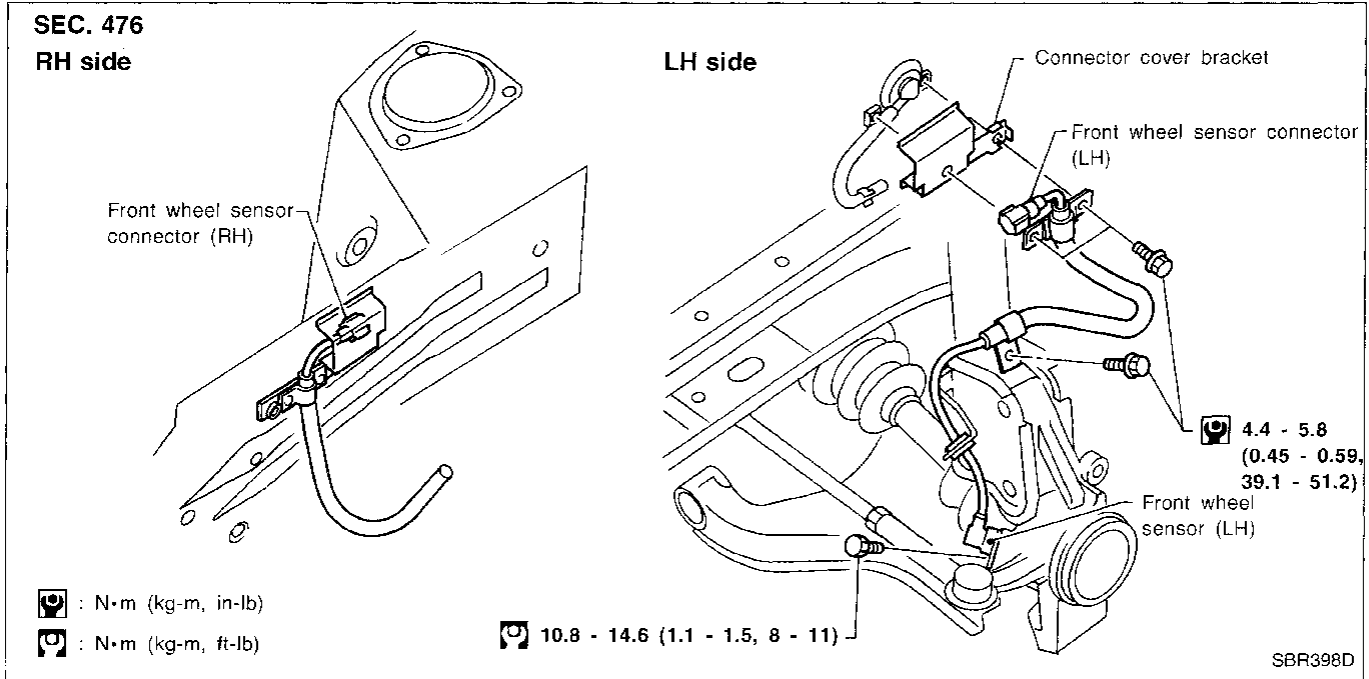
ANTI-LOCK BRAKE SYSTEM

Removal and Installation

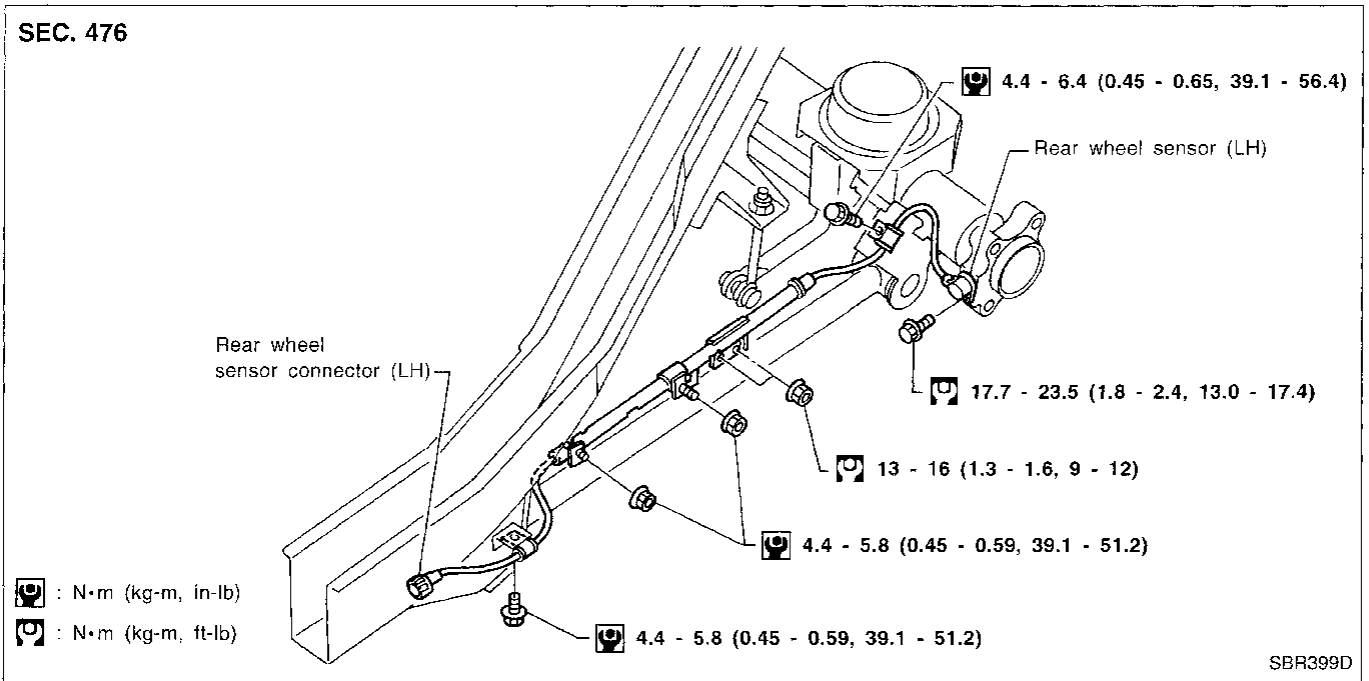
CAUTION:

Be careful not to damage sensor edge and sensor rotor teeth. When removing the front or rear wheel hub assembly, disconnect the ABS wheel sensor from the assembly and move it away.

FRONT WHEEL SENSOR



REAR WHEEL SENSOR



ANTI-LOCK BRAKE SYSTEM

Removal and Installation (Cont'd)

FRONT SENSOR ROTOR

Removal

2WD

1. Remove the front wheel hub. Refer to FA section ("FRONT AXLE").
2. Remove the sensor rotor using suitable puller, drift and bearing replacer.

GI

MA

EM

LC

EC

FE

CL

MT

AT

TF

PD

FA

RA

BR

ST

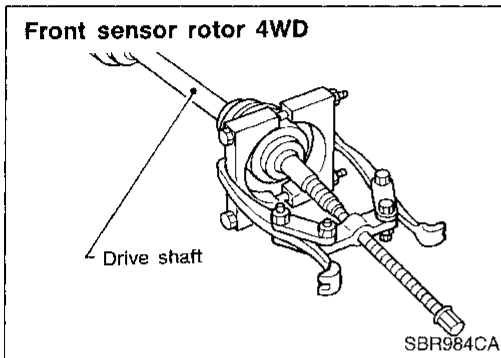
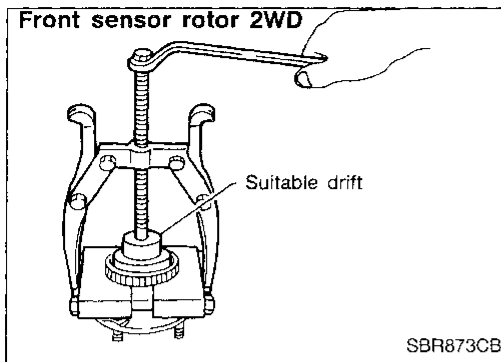
RS

BT

HA

EL

IDX



4WD

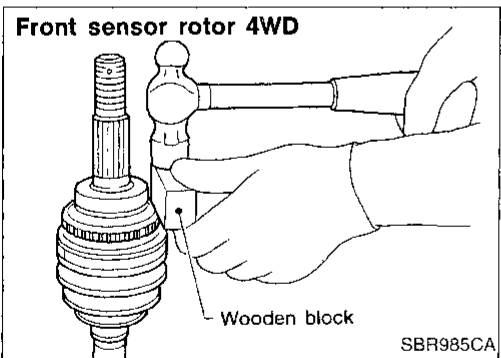
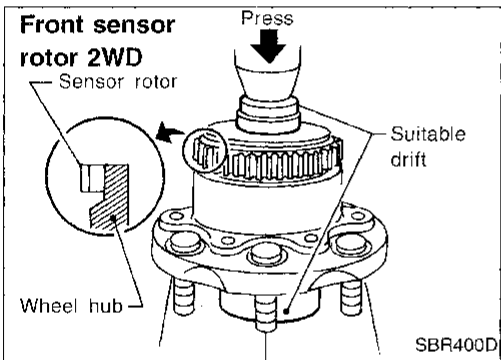
1. Remove the drive shaft and rear wheel hub. Refer to "Drive Shaft" in FA section and "Wheel Hub" in RA section.
2. Remove the sensor rotor using suitable puller, drift and bearing replacer.

Installation

2WD

Install the sensor rotor using suitable drift and press.

- Always replace sensor rotor with new one.
- Pay attention to the direction of front sensor rotor as shown in figure.



4WD

Install the sensor rotor. For front sensor rotor, use hammer and wooden block. For rear sensor rotor, use suitable drift and press.

- Always replace sensor rotor with new one.

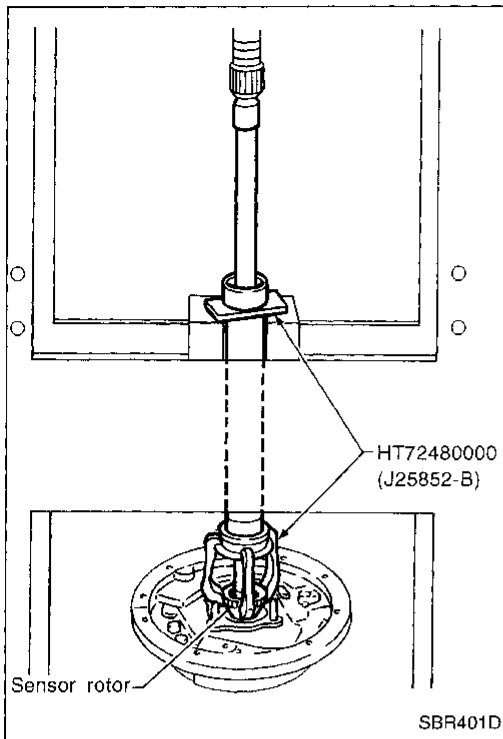
ANTI-LOCK BRAKE SYSTEM

Removal and Installation (Cont'd)

REAR SENSOR ROTOR

Removal

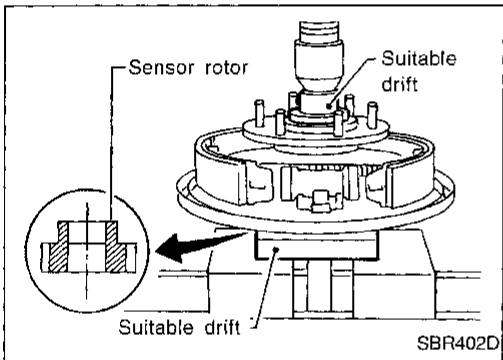
- Remove the sensor rotor using Tool.



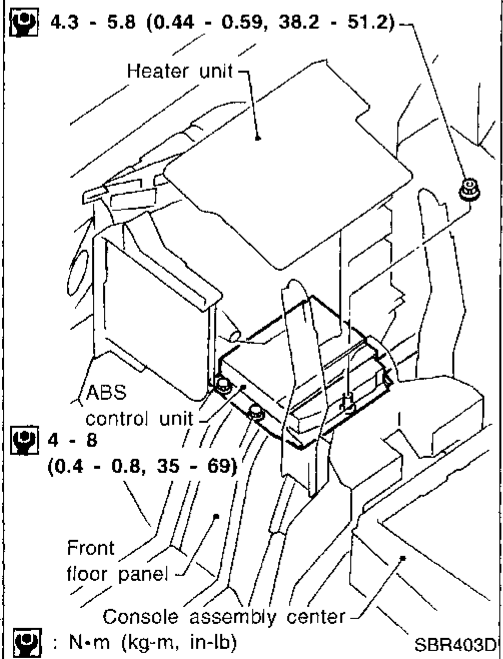
Installation

Install the sensor rotor using suitable drift and press.

- Always replace sensor rotor with new one.
- Pay attention to the direction of front sensor rotor as shown in figure.



SEC. 476



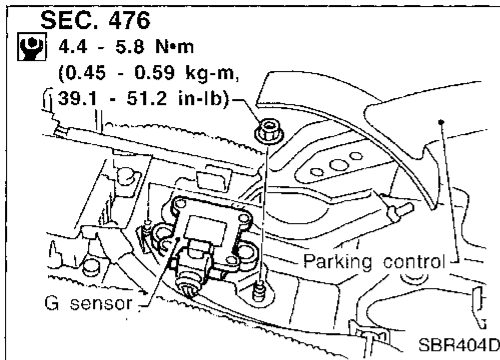
CONTROL UNIT

Location: Under heater unit.

Make sure that the sensor shield ground cable is secured with mounting bolt.

ANTI-LOCK BRAKE SYSTEM

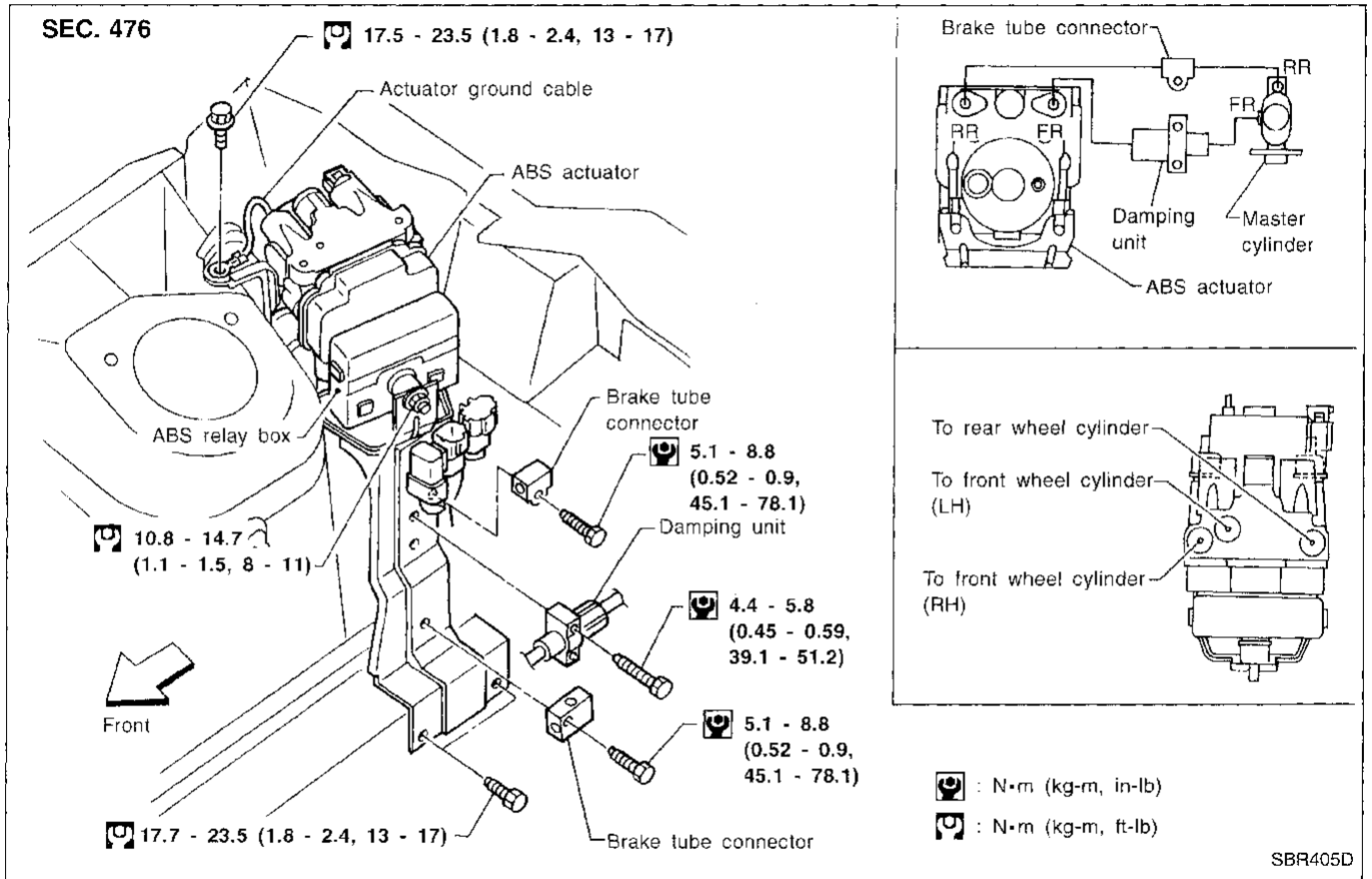
Removal and Installation (Cont'd)



G SENSOR

Always replace G sensor if bumped or dropped. Otherwise, performance characteristics of G sensor will be changed, which in turn changes ABS control performance characteristics.

ACTUATOR



Removal

1. Disconnect battery cable.
2. Drain brake fluid. Refer to "Changing Brake Fluid", BR-4.
3. Remove mounting bracket fixing bolts and nuts.
4. Disconnect connector, brake pipes and remove fixing nuts and actuator ground cable.

Installation

CAUTION:

After installation, refill brake fluid. Then bleed air. Refer to "Bleeding Brake System", BR-5.

1. Tighten actuator ground cable.

Place ground cable at a notch of mounting bracket.

2. Connect brake pipes temporarily.
3. Tighten fixing bolts and nuts.
4. Tighten brake pipes.
5. Connect connector and battery cable.

ANTI-LOCK BRAKE SYSTEM

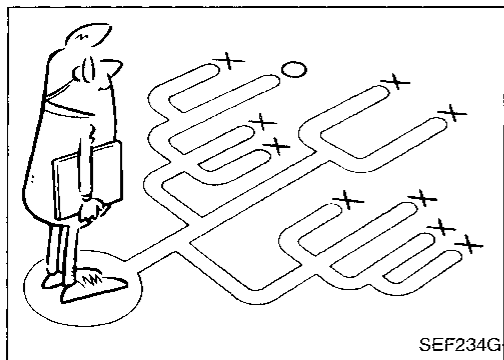
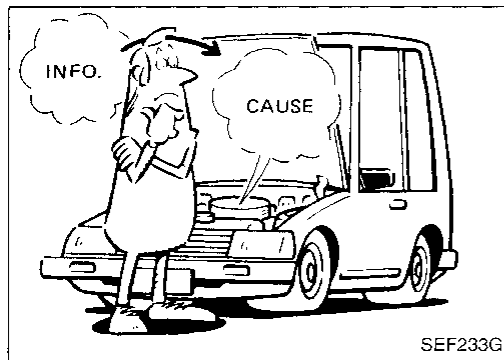
Removal and Installation (Cont'd)

ACTUATOR RELAYS

1. Disconnect battery cable.
2. Remove actuator relay cover.
3. Pull out relays.

Contents

How to Perform Trouble Diagnoses for Quick and Accurate Repair	BR-43	
Self-diagnosis	BR-44	GI
CONSULT	BR-47	
CONSULT Inspection Procedure	BR-48	MA
Component Parts and Harness Connector Location	BR-53	
Preliminary Check	BR-54	
Ground Circuit Check	BR-55	EM
Circuit Diagram for Quick Pinpoint Check	BR-56	
Diagnostic Procedure 1 Warning lamp does not come on	BR-57	
Diagnostic Procedure 2 Warning lamp stays on	BR-58	LC
Diagnostic Procedure 3 ABS actuator solenoid valve	BR-61	
Diagnostic Procedure 4 Wheel sensor or rotor	BR-64	
Diagnostic Procedure 5 Motor relay or motor	BR-66	EC
Diagnostic Procedure 6 Solenoid valve relay	BR-69	
Diagnostic Procedure 7 Power supply	BR-71	
Diagnostic Procedure 8 G sensor	BR-72	FE
Diagnostic Procedure 9 Control unit	BR-73	
Diagnostic Procedure 10 Pedal vibration and noise	BR-73	
Diagnostic Procedure 11 Long stopping distance	BR-74	CI
Diagnostic Procedure 12 Unexpected pedal action	BR-74	
Diagnostic Procedure 13 ABS does not work	BR-75	
Diagnostic Procedure 14 ABS works frequently	BR-75	MT
Electrical Component Inspection	BR-76	



How to Perform Trouble Diagnoses for Quick and Accurate Repair

INTRODUCTION

The ABS system has an electronic control unit to control major functions. The control unit accepts input signals from sensors and instantly drives the actuators. It is essential that both kinds of signals are proper and stable. It is also important to check for conventional problems: such as air leaks in booster lines, lack of brake fluid, or other problems with the brake system.

It is much more difficult to diagnose a problem that occurs intermittently rather than continuously. Most intermittent problems are caused by poor electric connections or faulty wiring. In this case, careful checking of suspicious circuits may help prevent the replacement of good parts.

A visual check only may not find the cause of the problems, so a road test should be performed.

Before undertaking actual checks, take a few minutes to talk with a customer who approaches with a ABS complaint. The customer is a very good source of information on such problems; especially intermittent ones. Through the talks with the customer, find out what symptoms are present and under what conditions they occur. Start your diagnosis by looking for "conventional" problems first. This is one of the best ways to troubleshoot brake problems on an ABS controlled vehicle.

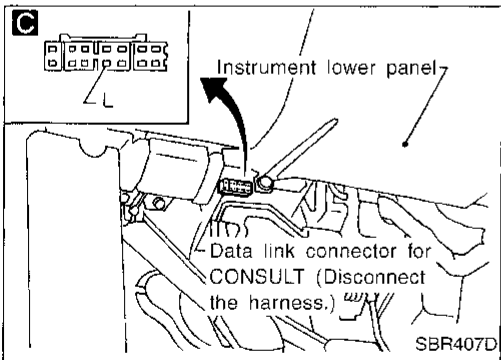
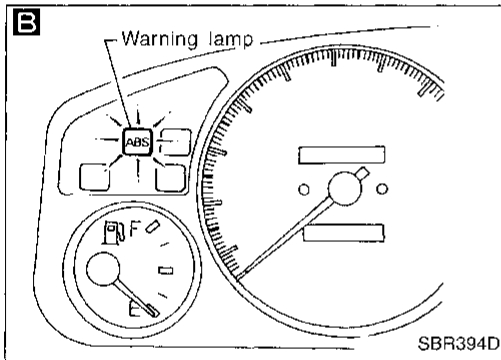
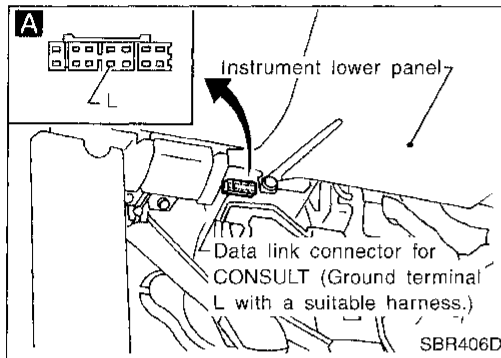
GI
MA
EM
LC
EC
FE
CI
MT
AT
TF
PD
FA
RA
BR
ST
AS
BT
TA
EL
IDX

Self-diagnosis

FUNCTION

- When a problem occurs in the ABS, the warning lamp on the instrument panel comes on. To start the self-diagnostic results mode, ground the self-diagnostic (check) terminal located on "Data Link Connector for CONSULT". The location of the malfunction is indicated by the warning lamp flashing.

SELF-DIAGNOSIS PROCEDURE



Drive vehicle over 30 km/h (20 MPH) for at least one minute.

Turn ignition switch "OFF".

A Ground terminal "L" of "Data link connector for CONSULT" with a suitable harness.

Turn ignition switch "ON" while grounding terminal "L".
Do not depress brake pedal.

B After 3.0 seconds, the warning lamp starts flashing to indicate the malfunction code No. (See NOTE.)

Verify the location of the malfunction with the malfunction code chart. Refer to BR-46. Then make the necessary repairs following the diagnostic procedures.

After the malfunctions are repaired, erase the malfunction codes stored in the control unit. Refer to BR-45.

Rerun the self-diagnostic results mode to verify that the malfunction codes have been erased.

C Disconnect the check terminal from the ground. The self-diagnostic results mode is now complete.

NOTE: The indication terminates after five minutes. However, when the ignition switch is turned from "OFF" to "ON", the indication starts flashing again.

Ⓐ

TROUBLE DIAGNOSES

Self-diagnosis (Cont'd)

Ⓐ

Check warning lamp for deactivation after driving vehicle over 30 km/h (20 MPH) for at least one minute.

After making certain that warning lamp does not come on, test the ABS in a safe area to verify that it functions properly.

GI

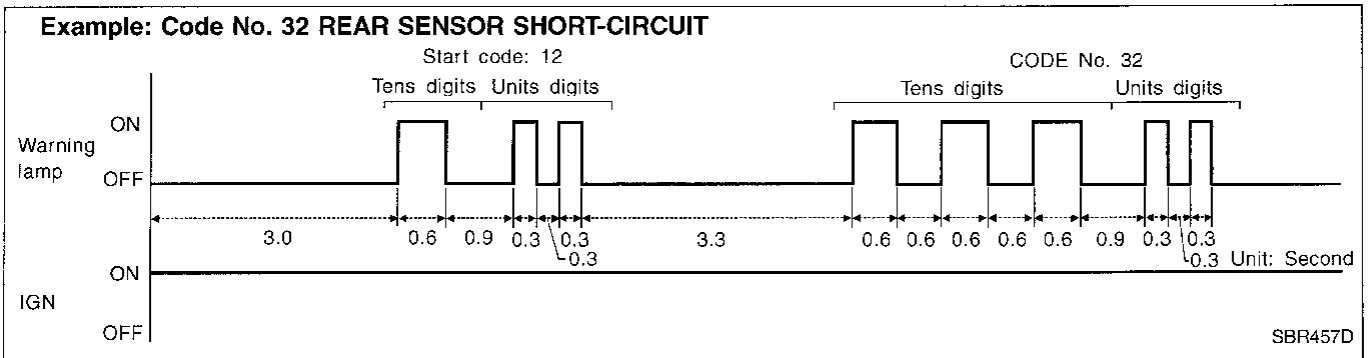
MA

EM

LC

HOW TO READ SELF-DIAGNOSTIC RESULTS (Malfunction codes)

- Determine the code No. by counting the number of times the warning lamp flashes on and off.
- When several malfunctions occur at one time, up to three code numbers can be stored; the latest malfunction will be indicated first.
- The indication begins with the start code 12. After that a maximum of three code numbers appear in the order of the latest one first. The indication then returns to the start code 12 to repeat (the indication will stay on for five minutes at the most).
- The malfunction code chart is given on the next page.



EC

FE

CL

MT

AT

TF

PD

FA

RA

BR

ST

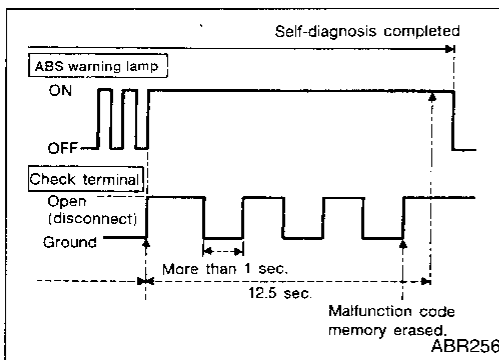
RS

BT

HA

EL

IDX



HOW TO ERASE SELF-DIAGNOSTIC RESULTS (Malfunction codes)

1. Disconnect the check terminal from ground (ABS warning lamp will stay lit).
2. Within 12.5 seconds, ground the check terminal 3 times. Each terminal ground must last more than 1 second. The ABS warning lamp goes out after the erase operation has been completed.
3. Perform self-diagnosis again. Refer to BR-44. Only the start-code should appear, no malfunction codes.

TROUBLE DIAGNOSES

Self-diagnosis (Cont'd)

MALFUNCTION CODE/SYMPTOM CHART

Code No. (No. of warning lamp flashes)	Malfunctioning part	Diagnostic procedure
45	Actuator front left outlet solenoid valve	3
46	Actuator front left inlet solenoid valve	3
41	Actuator front right outlet solenoid valve	3
42	Actuator front right inlet solenoid valve	3
55	Actuator rear outlet solenoid valve	3
56	Actuator rear inlet solenoid valve	3
25★2	Front left sensor (open-circuit)	4
26★2	Front left sensor (short-circuit)	4
21★2	Front right sensor (open-circuit)	4
22★2	Front right sensor (short-circuit)	4
31★2	Rear right sensor (open-circuit)	4
32★2	Rear right sensor (short-circuit)	4
35★2	Rear left sensor (open-circuit)	4
36★2	Rear left sensor (short-circuit)	4
18★2	Sensor rotor	4
17★1	G sensor	8
61	Actuator motor or motor relay	5
63	Solenoid valve relay	6
57	Power supply (Low voltage)	7
71	Control unit	9
Warning lamp stays on when ignition switch is turned on	Control unit power supply circuit Warning lamp bulb circuit Control unit or control unit connector Solenoid valve relay stuck Power supply for solenoid valve relay coil	2
Warning lamp does not come on when ignition switch is turned on	Fuse, warning lamp bulb or warning lamp circuit Control unit	1
Pedal vibration and noise	—	10
Long stopping distance	—	11
Unexpected pedal action	—	12
ABS does not work	—	13
ABS works frequently	—	14

★1: 4WD model only.

★2: If a tire slips on rough roads for more than 10 seconds, the ABS warning lamp may come on. In this case, the malfunctioning code regarding the wheel sensors may be memorized. Turn OFF the ignition switch, restart the engine and drive the vehicle at speeds above 30 km/h (20 MPH).

TROUBLE DIAGNOSES

CONSULT

CONSULT APPLICATION TO ABS

ITEM	SELF-DIAGNOSTIC RESULTS	DATA MONITOR	ACTIVE TEST
Front right wheel sensor	X	X	—
Front left wheel sensor	X	X	—
Rear right wheel sensor	X	X	—
Rear left wheel sensor	X	X	—
G switch (G sensor)★	X	X	—
Stop lamp switch	—	X	—
Front right inlet solenoid valve	X	X	X
Front right outlet solenoid valve	X	X	X
Front left inlet solenoid valve	X	X	X
Front left outlet solenoid valve	X	X	X
Rear inlet solenoid valve	X	X	X
Rear outlet solenoid valve	X	X	X
Actuator solenoid valve relay	X	X	—
Actuator motor relay (ABS MOTOR is shown on the Data Monitor screen.)	X	X	X
ABS warning lamp	—	X	—
Battery voltage	X	X	—
ABS Operating Signal	—	—	—

X: Applicable

—: Not applicable

★: 4WD model only

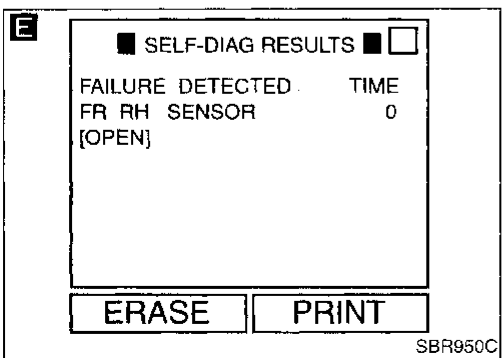
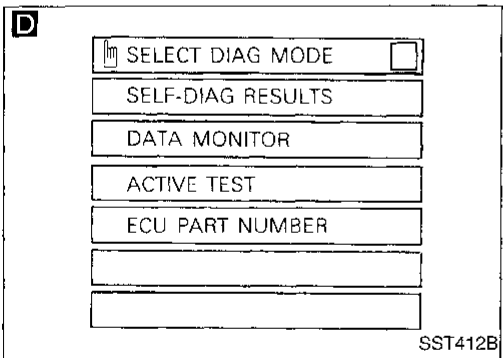
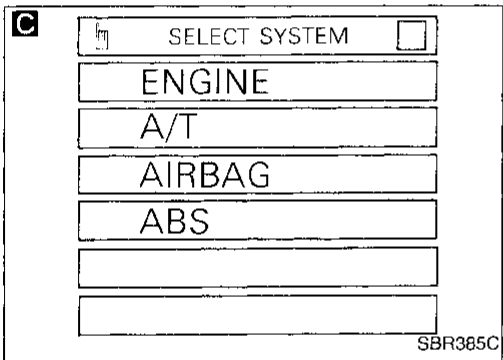
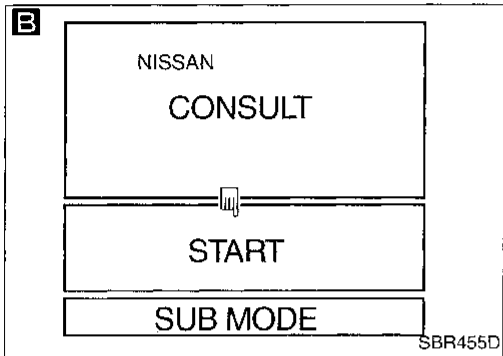
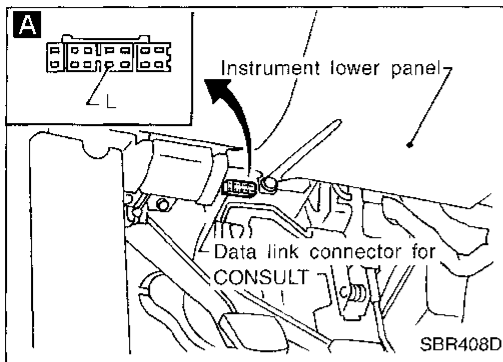
ECU (ABS control unit) part number mode

Ignore the ECU part number displayed in the ECU PART NUMBER MODE. Refer to parts catalog to order the ECU.

GF
 MA
 EM
 LC
 EC
 FE
 CL
 MT
 AT
 TF
 PD
 FA
 RA
 BR
 ST
 RS
 BT
 HA
 EL
 DX

TROUBLE DIAGNOSES

CONSULT Inspection Procedure SELF-DIAGNOSIS PROCEDURE



A

- 1) Turn ignition switch OFF.
- 2) Connect CONSULT to Data Link Connector for CONSULT.

1) Start engine.
2) Drive vehicle over 30 km/h (20 MPH) for at least one minute.

B 1) Stop vehicle with engine running and touch "START" on CONSULT screen.

C 2) Touch "ABS".

D 3) Touch "SELF-DIAG RESULTS".

- The screen shows the detected malfunction and how many times the ignition switch has been turned since the malfunction.

Make the necessary repairs following the diagnostic procedures.

E After the malfunctions are repaired, erase the self-diagnostic results stored in the control unit by touching "ERASE".

Check warning lamp for deactivation after driving vehicle over 30 km/h (20 MPH) for at least one minute.

Test the ABS in a safe area to verify that it functions properly.

Note: "SELF-DIAG RESULTS" screen shows the detected malfunction and how many times the ignition switch has been turned since the malfunction.

TROUBLE DIAGNOSES

CONSULT Inspection Procedure (Cont'd)

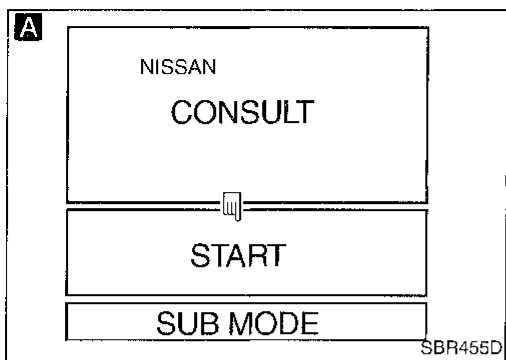
SELF-DIAGNOSTIC RESULTS MODE

Diagnostic item	Diagnostic item is detected when ...	Diagnostic procedure
FR RH SENSOR★ [OPEN]	• Circuit for front right wheel sensor is open. (An abnormally high input voltage is entered.)	4
FR LH SENSOR★ [OPEN]	• Circuit for front left wheel sensor is open. (An abnormally high input voltage is entered.)	4
RR RH SENSOR★ [OPEN]	• Circuit for rear right sensor is open. (An abnormally high input voltage is entered.)	4
RR LH SENSOR★ [OPEN]	• Circuit for rear left sensor is open. (An abnormally high input voltage is entered.)	4
FR RH SENSOR★ [SHORT]	• Circuit for front right wheel sensor is shorted. (An abnormally low input voltage is entered.)	4
FR LH SENSOR★ [SHORT]	• Circuit for front left wheel sensor is shorted. (An abnormally low input voltage is entered.)	4
RR RH SENSOR★ [SHORT]	• Circuit for rear right sensor is shorted. (An abnormally low input voltage is entered.)	4
RR LH SENSOR★ [SHORT]	• Circuit for rear left sensor is shorted. (An abnormally low input voltage is entered.)	4
ABS SENSOR★ [ABNORMAL SIGNAL]	• Teeth damage on sensor rotor or improper installation of wheel sensor. (Abnormal wheel sensor signal is entered.)	4
FR RH IN ABS SOL [OPEN, SHORT]	• Circuit for front right inlet solenoid valve is open. (An abnormally low output voltage is entered.)	3
FR LH IN ABS SOL [OPEN, SHORT]	• Circuit for front left inlet solenoid valve is open. (An abnormally low output voltage is entered.)	3
FR RH OUT ABS SOL [OPEN, SHORT]	• Circuit for front right outlet solenoid valve is open. (An abnormally low output voltage is entered.)	3
FR LH OUT ABS SOL [OPEN, SHORT]	• Circuit for front left outlet solenoid valve is open. (An abnormally low output voltage is entered.)	3
RR IN ABS SOL [OPEN, SHORT]	• Circuit for rear right outlet solenoid valve is shorted. (An abnormally high output voltage is entered.)	3
RR OUT ABS SOL [OPEN, SHORT]	• Circuit for rear left outlet solenoid valve is shorted. (An abnormally high output voltage is entered.)	3
ABS ACTUATOR RELAY [ABNORMAL]	• Actuator solenoid valve relay is ON, even if control unit sends off signal. • Actuator solenoid valve relay is OFF, even if control unit sends on signal.	6
ABS MOTOR RELAY [ABNORMAL]	• Circuit for ABS motor relay is open or shorted. • Circuit for actuator motor is open or shorted. • Actuator motor relay is stuck.	5
BATTERY VOLT [VB-LOW]	• Power source voltage supplied to ABS control unit is abnormally low.	7
CONTROL UNIT	• Function of calculation in ABS control unit has failed.	9
G-SENSOR [ABNORMAL]	• G sensor is open.	8

★: If a tire slips on rough roads for more than 10 seconds, the ABS warning lamp may come on. In this case, the malfunctioning code regarding the wheel sensors may be memorized. Turn OFF the ignition switch, restart the engine and drive the vehicle at speeds above 30 km/h (20 MPH).

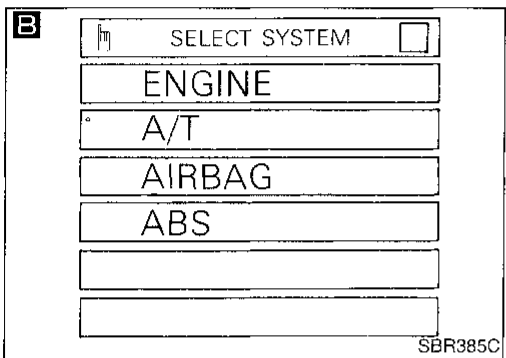
TROUBLE DIAGNOSES

CONSULT Inspection Procedure (Cont'd) DATA MONITOR PROCEDURE

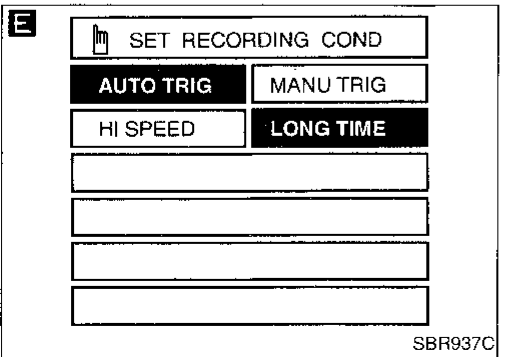
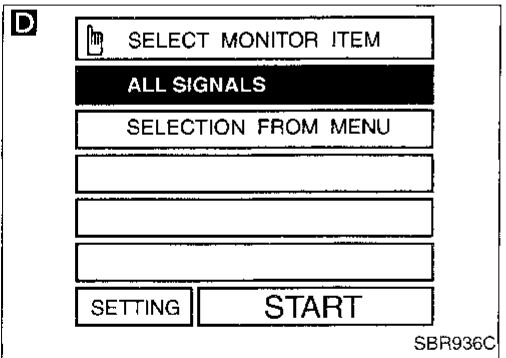
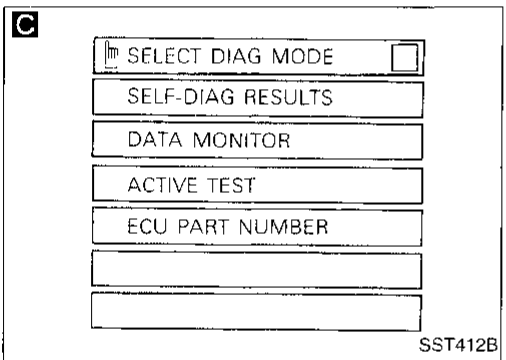


- 1) Turn ignition switch OFF.
- 2) Connect CONSULT to Data Link Connector for CONSULT.
- 3) Turn ignition switch ON.

- A** 1) Touch "START" on CONSULT screen.
- B** 2) Touch "ABS".
- C** 3) Touch "DATA MONITOR".



- D** 1) Touch "SETTING" on "SELECT MONITOR ITEM" screen.
- E** 2) Touch "LONG TIME" on "SET RECORDING COND" screen.
- D** 3) Touch "START" on "SELECT MONITOR ITEM".



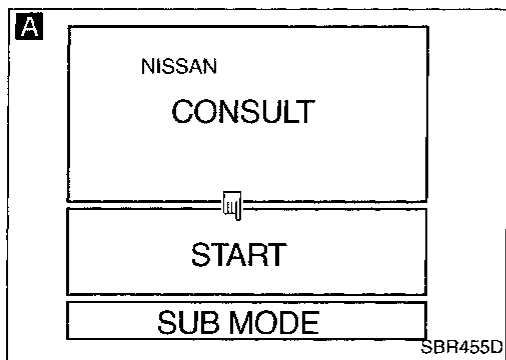
TROUBLE DIAGNOSES

CONSULT Inspection Procedure (Cont'd)

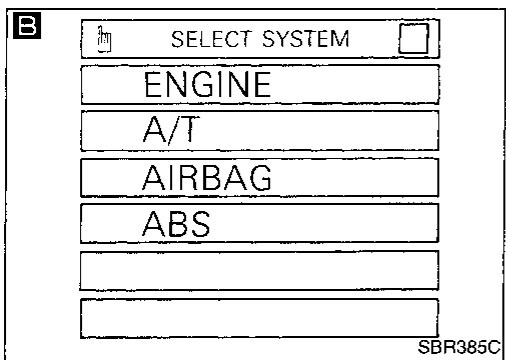
ACTIVE TEST PROCEDURE

- When conducting Active test, vehicle must be stationary.
- When ABS warning lamp stays on, never conduct Active test.

GI
MA
EM
LC
EC
FE
CL
MT
AT
TF
PD
FA
RA
BR
ST
RS
BT
HA
EL
IDX



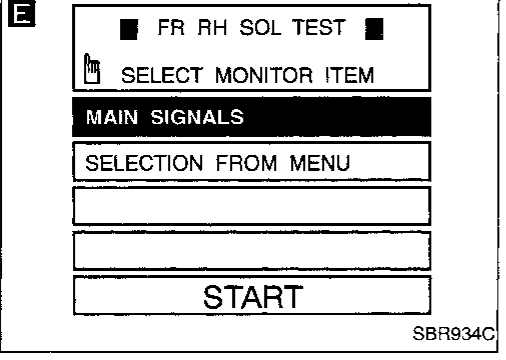
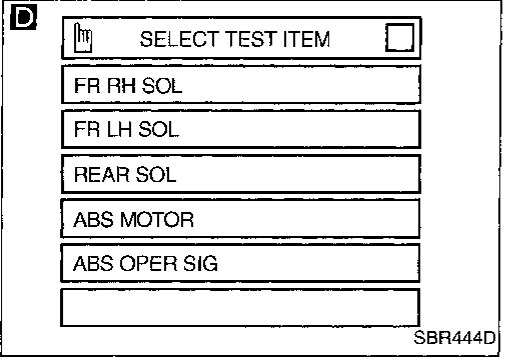
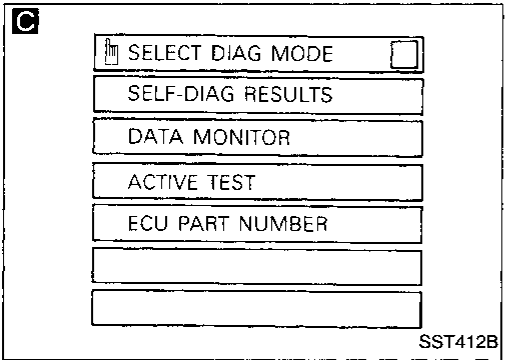
1) Turn ignition switch OFF.
2) Connect CONSULT to Data Link Connector for CONSULT.
3) Start engine.



A 1) Touch "START" on CONSULT screen.
B 2) Touch "ABS".
C 3) Touch "ACTIVE TEST".

D 1) Select active test item by touching screen.
E 2) Touch "START".

Carry out the active test by touching screen key.



TROUBLE DIAGNOSES

CONSULT Inspection Procedure (Cont'd)

DATA MONITOR MODE

MONITOR ITEM	CONDITION	SPECIFICATION
FR RH SENSOR FR LH SENSOR RR RH SENSOR RR LH SENSOR	Drive vehicle. (Each wheel is rotating.)	Wheel speed signal (Almost the same speed as speedometer.)
STOP LAMP SW	Brake is depressed.	Depress the pedal: ON Release the pedal: OFF
G-SWITCH	Vehicle is driven. Vehicle is stopped. Brake is applied.	When driving or stopping vehicle with a force of less than 0.3G: ON When driving or stopping vehicle with a force of 0.3G or more: OFF
FR RH IN SOL FR RH OUT SOL FR LH IN SOL FR LH OUT SOL RR IN SOL RR OUT SOL	1. Drive vehicle at speeds over 30 km/h (20 MPH) for at least one minute. 2. Engine is running.	Operating conditions for each solenoid valve are indicated. ABS is not operating: OFF
MOTOR RELAY		ABS is not operating: OFF ABS is operating: ON
ACTUATOR RELAY		Ignition switch ON (Engine stops): OFF Engine running: ON
WARNING LAMP	Ignition switch is ON or engine is running.	ABS warning lamp is turned on: ON ABS warning lamp is turned off: OFF
BATTERY VOLT		Power supply voltage for control unit

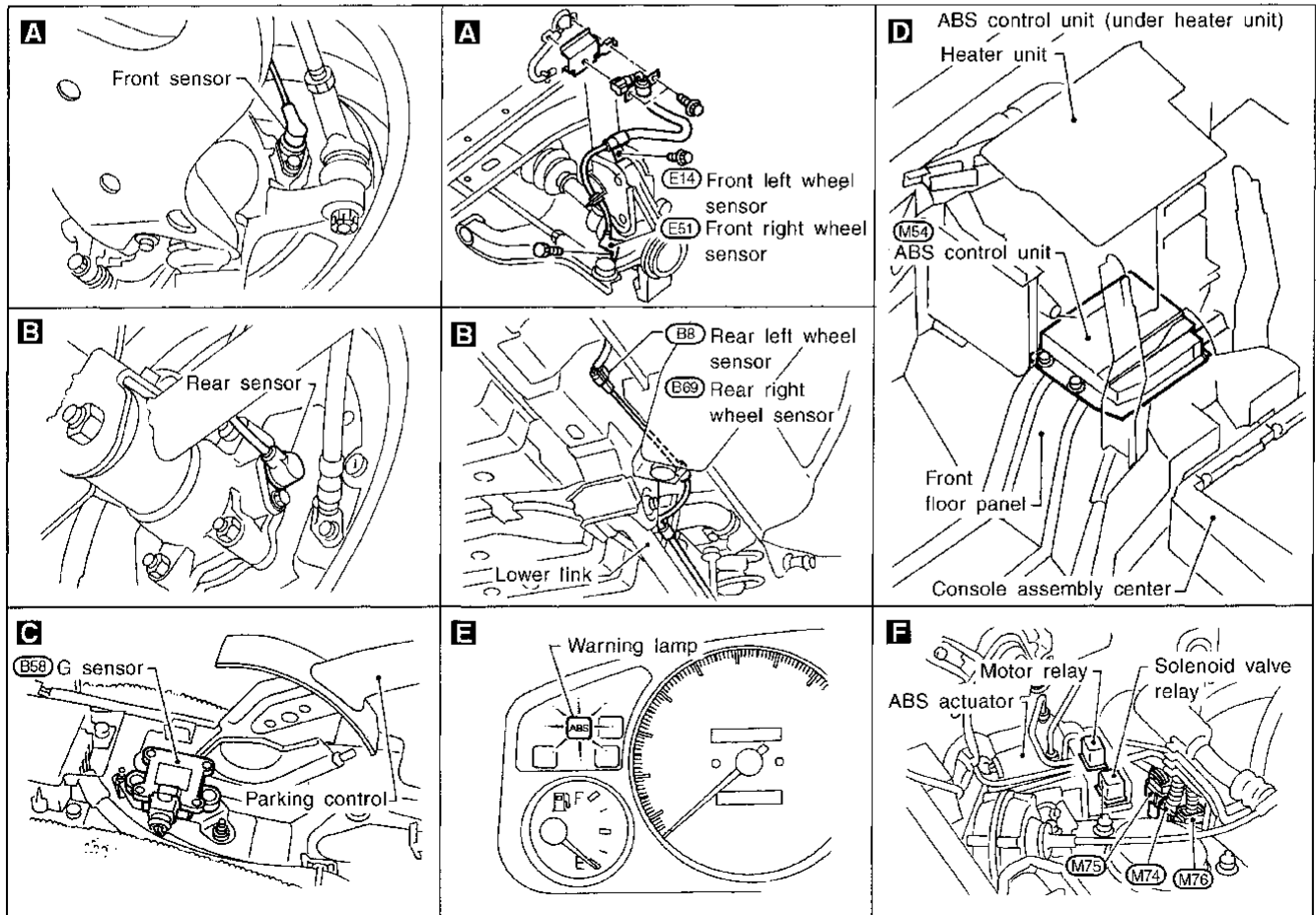
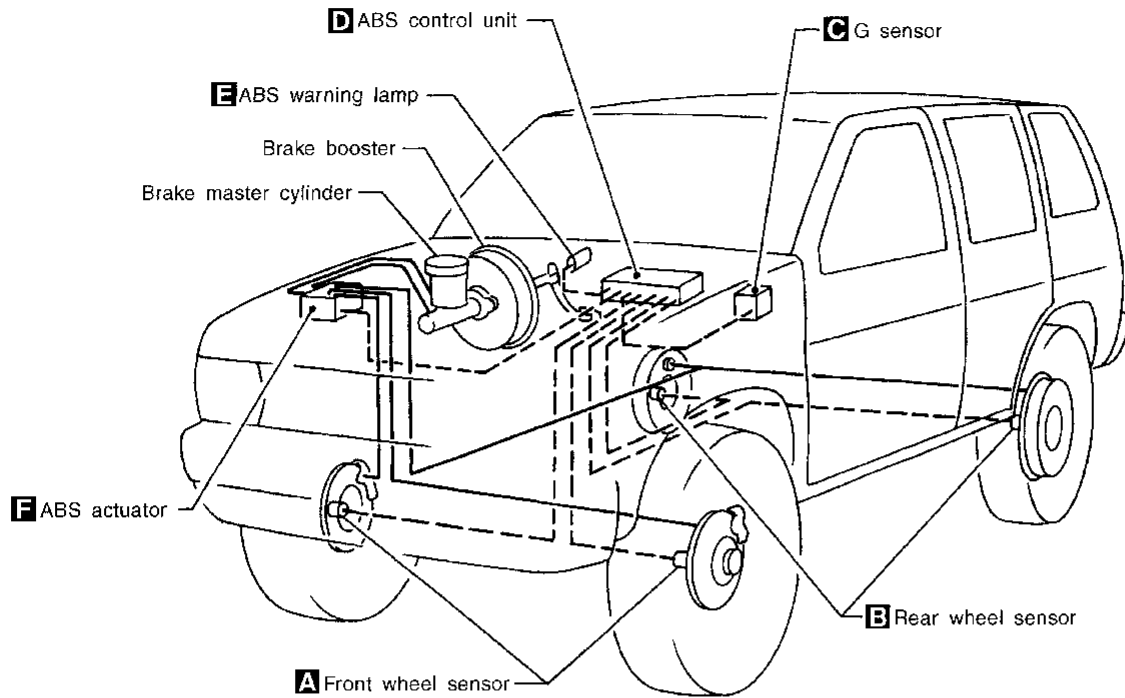
ACTIVE TEST MODE

TEST ITEM	CONDITION	JUDGEMENT												
FR RH SOLENOID FR LH SOLENOID REAR SOLENOID	Engine is running.	Brake fluid pressure control operation <table style="width: 100%; border: none;"> <tr> <td></td> <td style="text-align: center;">IN SOL</td> <td style="text-align: center;">OUT SOL</td> </tr> <tr> <td>UP (Increase):</td> <td style="text-align: center;">OFF</td> <td style="text-align: center;">OFF</td> </tr> <tr> <td>KEEP (Hold):</td> <td style="text-align: center;">ON</td> <td style="text-align: center;">OFF</td> </tr> <tr> <td>DOWN (Decrease):</td> <td style="text-align: center;">ON</td> <td style="text-align: center;">ON</td> </tr> </table>		IN SOL	OUT SOL	UP (Increase):	OFF	OFF	KEEP (Hold):	ON	OFF	DOWN (Decrease):	ON	ON
		IN SOL	OUT SOL											
UP (Increase):	OFF	OFF												
KEEP (Hold):	ON	OFF												
DOWN (Decrease):	ON	ON												
ABS MOTOR		ABS actuator motor ON: Motor runs (ABS motor relay ON) OFF: Motor stops (ABS motor relay OFF)												
ABS OPER SIG	—	—												

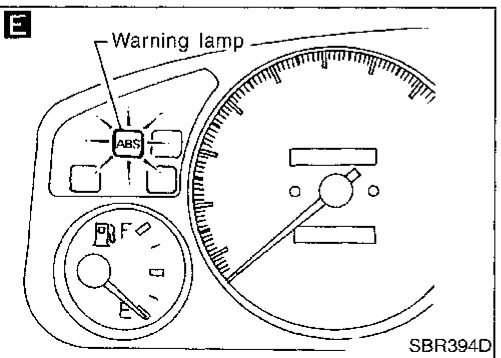
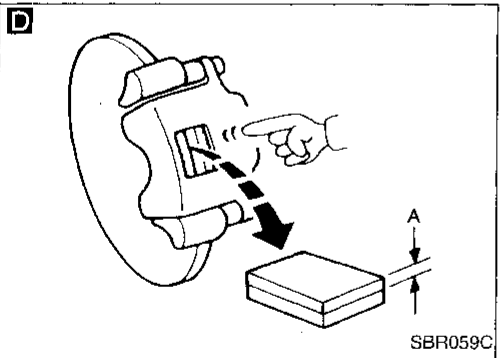
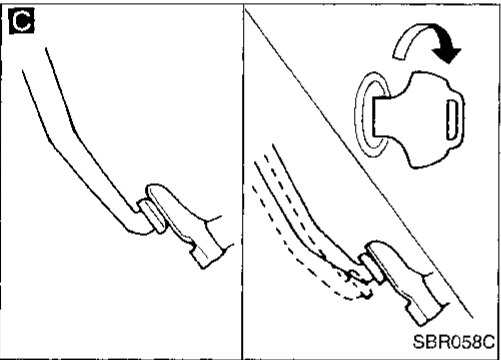
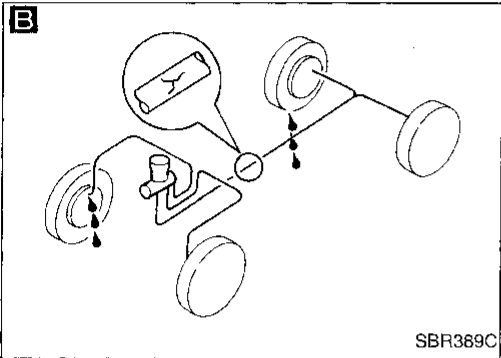
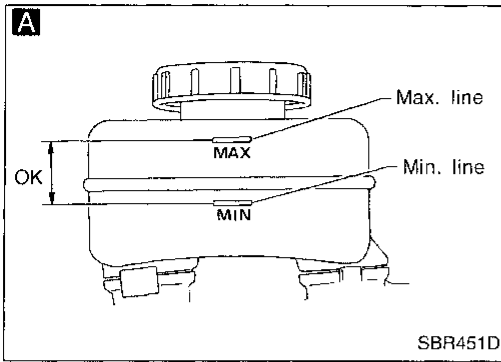
Note: Active test will automatically stop ten seconds after the test starts. (LIMIT SIGNAL monitor shows ON.)

TROUBLE DIAGNOSES

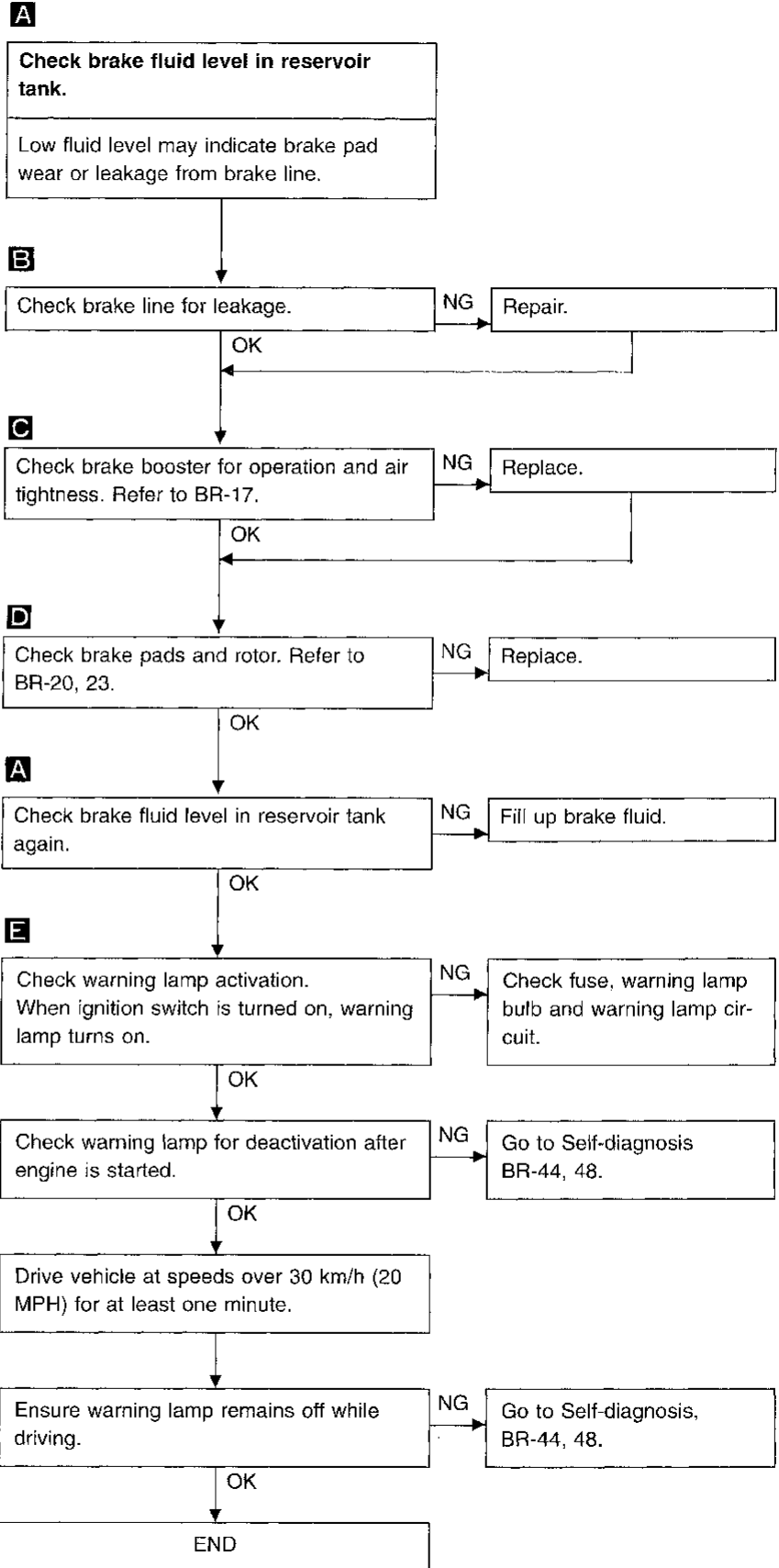
Component Parts and Harness Connector Location



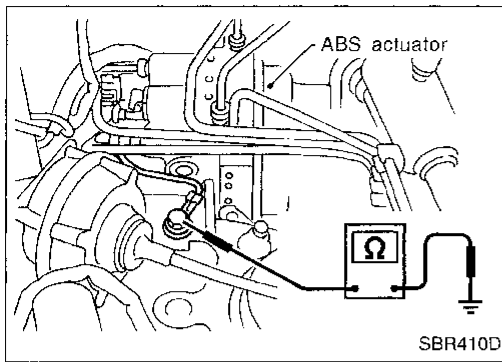
GI
MA
EM
LC
EC
FE
CL
MT
AT
TF
PD
FA
RA
BR
ST
RS
BT
HA
EL
IDX



Preliminary Check



TROUBLE DIAGNOSES



Ground Circuit Check

ACTUATOR MOTOR GROUND

- Check resistance between actuator motor ground terminal and body ground.

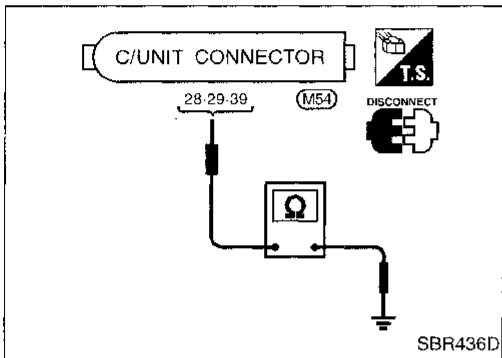
Resistance: approximately 0Ω

GI

MA

EM

LC



CONTROL UNIT GROUND

- Check resistance between control unit connector terminals and ground.

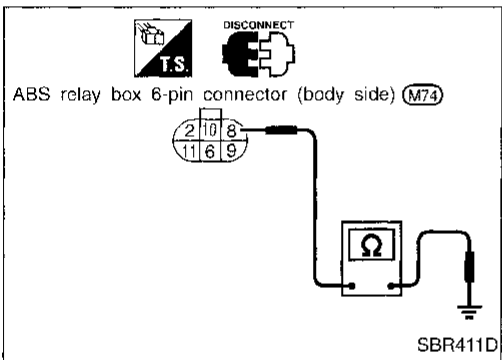
Resistance: approximately 0Ω

EC

FE

CL

MT



ACTUATOR GROUND

- Check resistance between ABS relay harness 6-pin connector (body side) terminal ⑧ and ground.

Resistance: approximately 0Ω

AT

TF

PD

FA

RA

BR

ST

RS

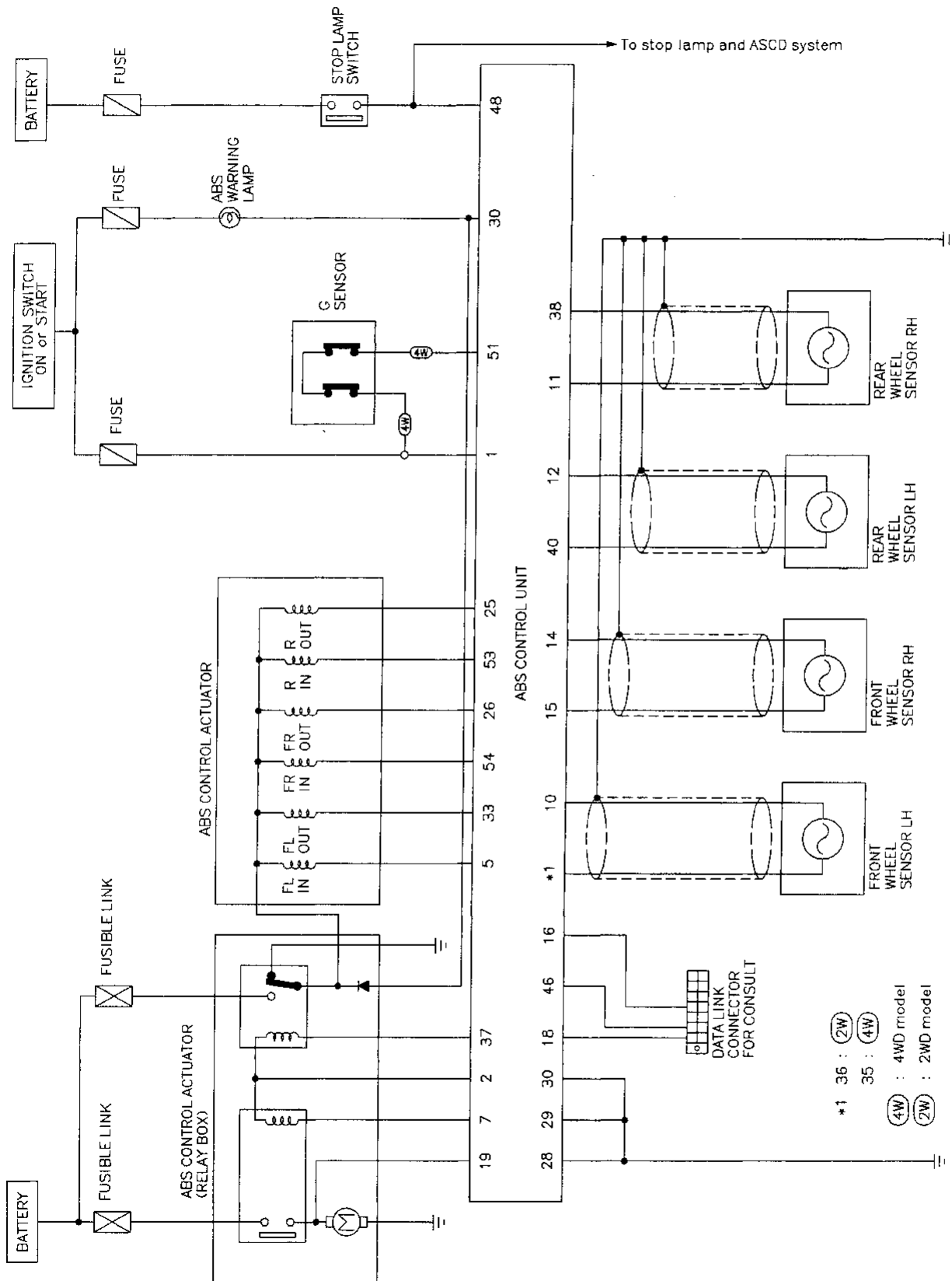
BT

HA

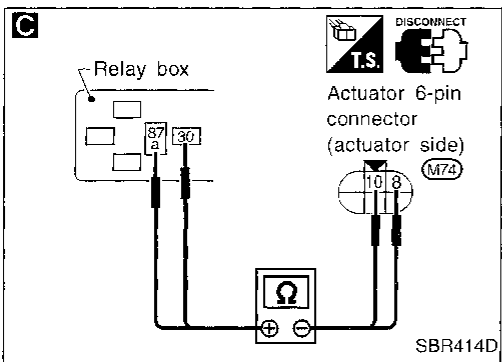
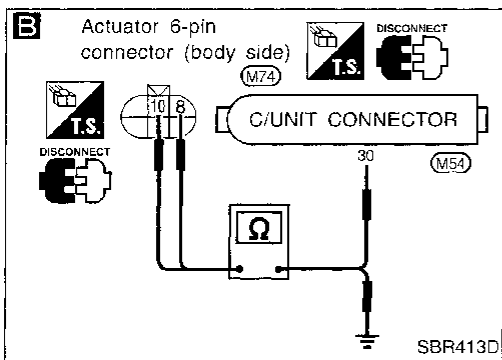
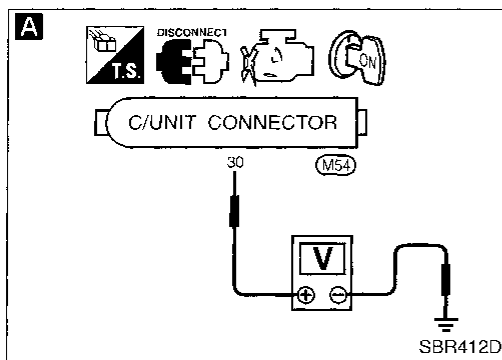
EL

IDX

Circuit Diagram for Quick Pinpoint Check



TROUBLE DIAGNOSES



Diagnostic Procedure 1 (Not self-diagnostic item)

Warning lamp does not come on when ignition switch is turned on.

WARNING LAMP CIRCUIT CHECK

Check 10A fuse **7** for warning lamp. For fuse layout, refer to POWER SUPPLY ROUTING in EL section.

NG → Replace fuse.

↓ OK

Check warning lamp bulb.

NG → Replace bulb.

↓ OK

A

1. Install 10A fuse and bulb.
2. Disconnect connectors from control unit and actuator.
3. Check voltage between control unit connector terminal **30** and ground after turning ignition switch "ON".
Battery voltage should exist after turning ignition switch "ON".

NG → Check the following.
• Harness connector **M54**
• Harness for open or short between control unit and fuse
If NG, repair harness or connectors.

↓ OK

B

- Check continuity between actuator 6-pin connector (body side) and control unit terminals.

Actuator	Control unit
10	30
8	Ground

Continuity should exist.

NG → Check the following.
• Harness connectors **M54**, **M74**
• Harness for open or short between actuator connector and control unit
If NG, repair harness or connectors.

↓ OK

C

1. Remove solenoid valve relay.
2. Check continuity between actuator 6-pin connector (actuator side) and relay box terminals.

Actuator	Relay box
10 ⊖	30 ⊕
8	87a

Continuity should exist.
Note: Pay attention to tester polarity*.

NG → Replace actuator.

↓ OK

SOLENOID VALVE RELAY CHECK

Refer to SOLENOID VALVE RELAY in Electrical Components Inspection, BR-76.

NG → Replace solenoid valve relay.

↓ OK

Go to diagnostic procedure 7, BR-71.

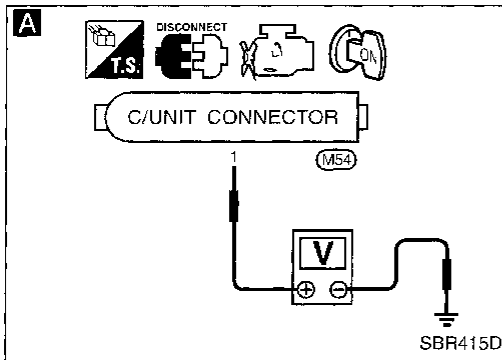
*: Specifications may vary depending on the type of tester. Before performing this inspection, refer to the instruction manual of the tester.

CF
MA
EM
LC
EC
FE
CL
MT
AT
TF
PD
FA
RA
BR
ST
RS
BT
HA
EL
IDX

TROUBLE DIAGNOSES

Diagnostic Procedure 2 (Not Self-diagnostic item)

Warning lamp stays on when ignition switch is turned on.

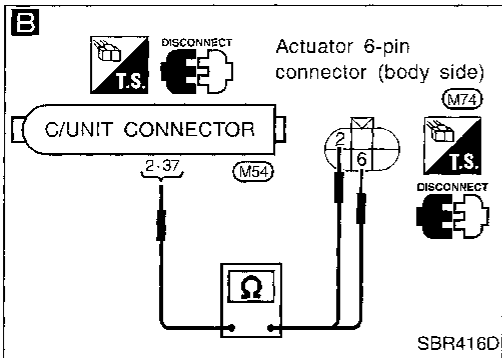


CONTROL UNIT POWER SUPPLY CIRCUIT

Check 7.5A fuse 28 for control unit. For fuse layout, refer to POWER SUPPLY ROUTING in EL section.

NG → (Go to (B) on BR-60.)

OK



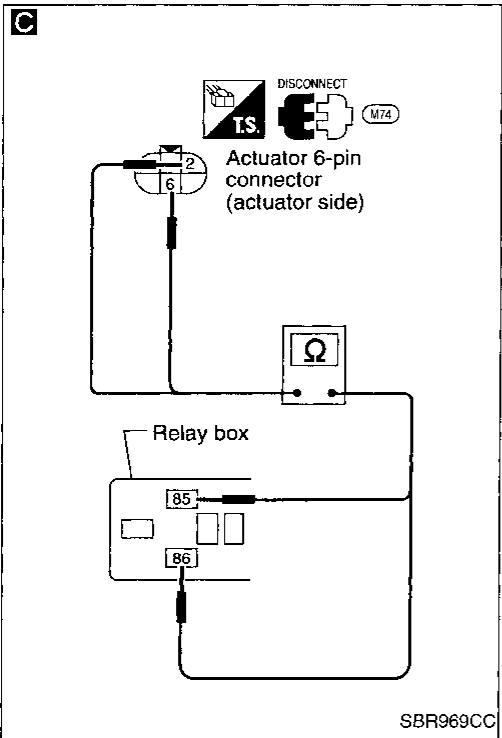
1. Disconnect connector from control unit.
2. Check voltage between control unit connector terminal 1 and ground after turning ignition switch "ON".
Battery voltage should exist.

NG → Check the following.

- Harness connector (M54)
- Harness for open or short between control unit and fuse

If NG, repair harness or connectors.

OK



SOLENOID VALVE RELAY COIL POWER SUPPLY CIRCUIT

1. Turn ignition switch "OFF". Disconnect actuator 6-pin connector.
2. Check continuity between control unit connector terminals and actuator 6-pin connector (body side) terminals.

NG → Check the following.

- Harness connectors (M54, M74)
- Harness for open or short between actuator connector and control unit

If NG, repair harness or connectors.

OK

Control unit	Actuator
2	2
37	6

Continuity should exist.

OK

CIRCUIT CHECK

1. Disconnect solenoid valve relay.
2. Check continuity between actuator 6-pin connector (actuator side) terminals and solenoid valve relay box terminals.

NG → Replace actuator.

Actuator	Relay box
2	86
6	85

Continuity should exist.

OK

SOLENOID VALVE RELAY CHECK

Refer to SOLENOID VALVE RELAY in Electrical Components Inspection, BR-76.

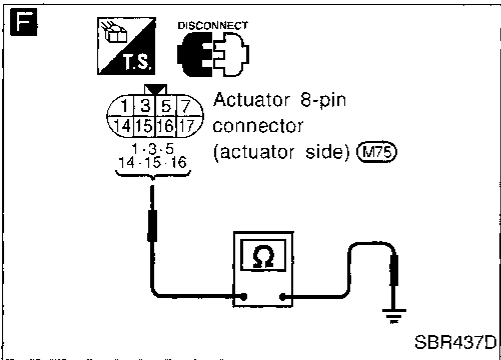
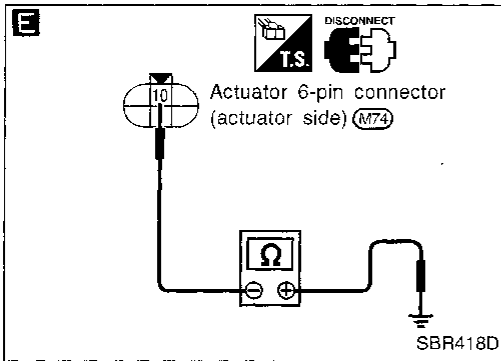
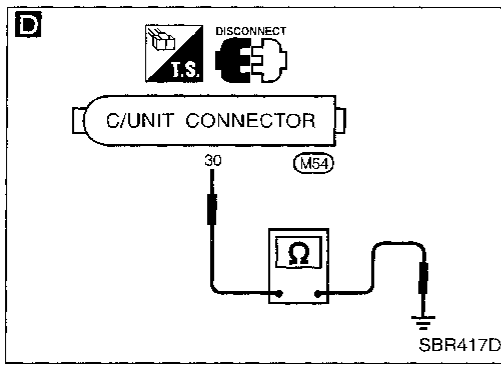
NG → Replace solenoid valve relay.

OK

(A)
(Go to next page.)

TROUBLE DIAGNOSES

Diagnostic Procedure 2 (Not Self-diagnostic item) (Cont'd)



D

GROUND-SHORT CHECK FOR WARNING LAMP CIRCUIT.

1. Turn ignition switch "OFF".
2. Disconnect connectors from control unit and actuator.
3. Check continuity between control unit connector terminal (30) and body ground. **Continuity should not exist.**

NG → Check the following.

- Harness connector (M54)
- Harness for open or short between control unit and fuse

If NG, repair harness or connectors.

OK

E

1. Disconnect actuator ground terminal and 6-pin connector.
2. Check continuity between actuator 6-pin connector (actuator side) terminal (10) and body ground. **Continuity should not exist.**

Note: Pay attention to tester polarity*.

NG → Replace relay box.

OK

F

SOLENOID VALVE CIRCUIT

1. Disconnect actuator 8-pin connector.
2. Check continuity between each actuator 8-pin connector (actuator side) terminals and body ground. **Continuity should not exist.**

NG → Replace actuator assembly.

OK

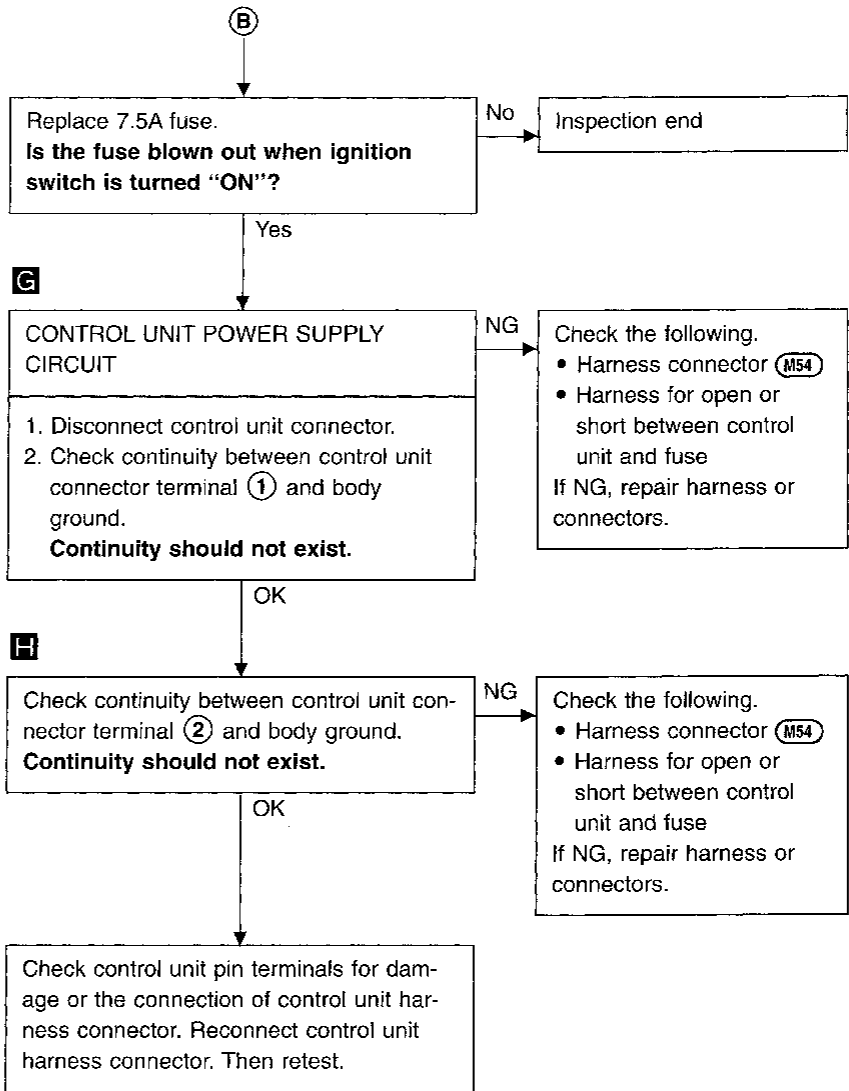
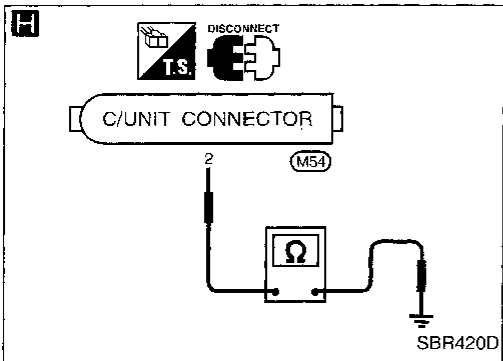
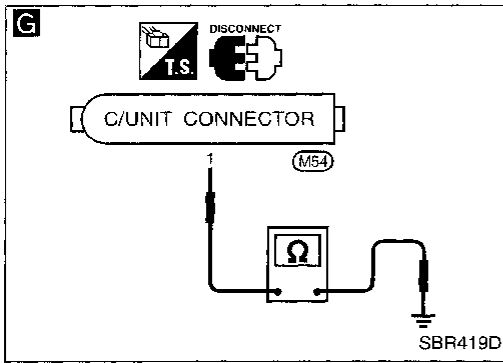
Check control unit pin terminals for damage or the connection of control unit harness connector. Reconnect control unit harness connector. Then retest.

*: Specifications may vary depending on the type of tester. Before performing this inspection, refer to the instruction manual of the tester.

CI
MA
EM
LC
EC
PE
CL
MT
AT
TF
PD
FA
RA
BR
ST
RS
BT
HA
EL
IDX

TROUBLE DIAGNOSES

Diagnostic Procedure 2 (Not Self-diagnostic item) (Cont'd)

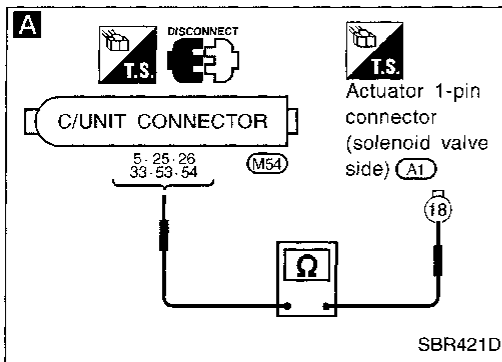


TROUBLE DIAGNOSES

Diagnostic Procedure 3

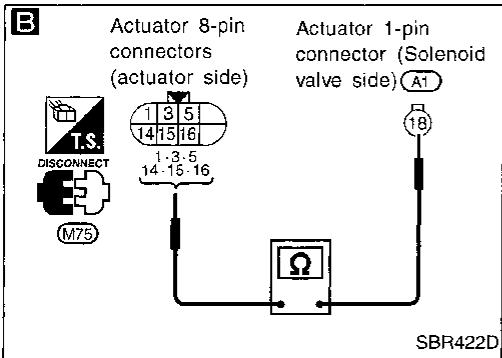
ACTUATOR SOLENOID VALVE (Malfunction code No. 41, 45, 55, 42, 46, 56)

GI
MA
EM
LC
EC
FE
CL
MT
AT
TF
PD
FA
RA
BR
ST
RS
BT
HA
EL
IDX



1. Disconnect connectors from control unit and actuator. Check terminals for damage or loose connection. Then reconnect connectors.
2. Carry out self-diagnosis again.
Does warning lamp activate again?

No → Inspection end



- A**
- #### ACTUATOR SOLENOID VALVE CHECK
1. Disconnect connectors from control unit and actuator.
 2. Check resistance between control unit connector terminals and actuator 1-pin connector (solenoid valve side) terminal (18).

OK → (A) (Go to next page.)

Code No.	Control unit	ABS relay box	Resistance
41	(26)	(18)	3.4 - 6.9Ω
45	(33)	(18)	
55	(25)	(18)	
42	(54)	(18)	6.5 - 13.2Ω
46	(5)	(18)	
56	(53)	(18)	

- B**
1. Disconnect actuator 8-pin connector.
 2. Check resistance between actuator 8-pin connector (actuator side) terminals and actuator 1-pin connector (solenoid valve side) terminal (18).

OK → Check the following.

- Harness connectors (M54, M75, A1)
- Harness for open or short between actuator connector and control unit
- Harness for open or short between actuator 8-pin connector and actuator 1-pin connector

If NG, repair harness or connectors.

Code No.	ABS actuator	ABS relay box	Resistance
41	(15)	(18)	3.4 - 6.9Ω
45	(14)	(18)	
55	(16)	(18)	
42	(3)	(18)	6.5 - 13.2Ω
46	(1)	(18)	
56	(5)	(18)	

NG → (B)

TROUBLE DIAGNOSES

Diagnostic Procedure 3 (Cont'd)

Ⓑ

Check resistance between solenoid valve terminals
①, ③, ⑤, ⑭, ⑮, ⑯.

ABS actuator				Resistance
OUT solenoid valve		⑭	⑮	6.8 - 13.8Ω
		⑭	⑯	
		⑮	⑯	
Solenoid valve	IN	⑭, ⑮, ⑯	—	9.9 - 20.1Ω
	OUT	—	①, ③, ⑤	
IN solenoid valve		①	③	13.0 - 26.4Ω
		①	⑤	
		③	⑤	

OK

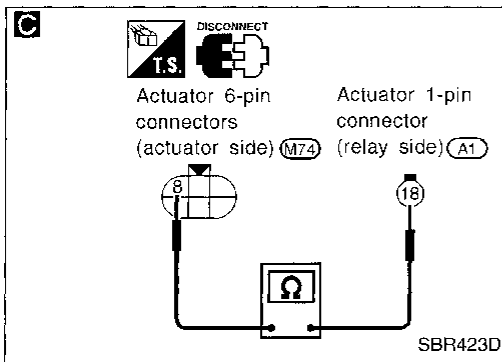
- Check the following.
- Harness connectors
M54, M75, A1
 - Harness for open or short between actuator connector and control unit
 - Harness for open or short between actuator 8-pin connector and actuator 1-pin connector
- If NG, repair harness or connectors.

NG

Replace actuator.

TROUBLE DIAGNOSES

Diagnostic Procedure 3 (Cont'd)



C

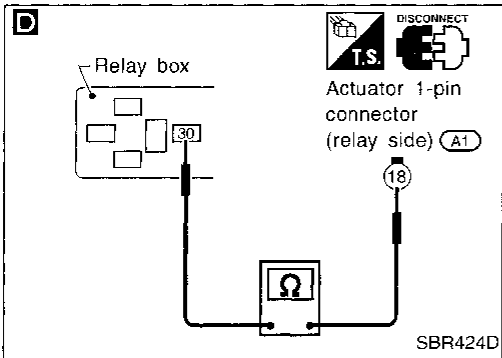
Check continuity between actuator 6-pin connector (actuator side) terminals ⑧ and 1-pin connector (relay side) terminal ⑱.

Continuity should exist.

Note: Pay attention to tester polarity*.

OK → Go to diagnostic procedure 7, BR-71.

NG →



D

1. Remove solenoid valve relay.

2. Check continuity between actuator 1-pin connector (relay side) terminal ⑱ and relay box terminal ⑳.

Continuity should exist.

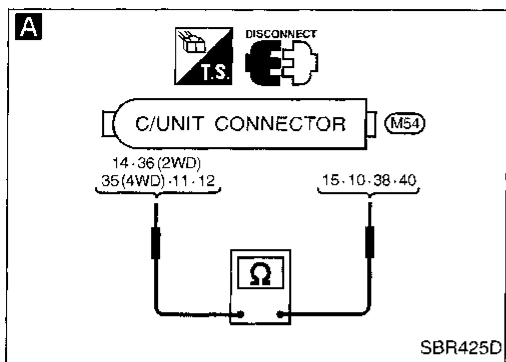
NG → Replace actuator.

OK → Go to diagnostic procedure 6, BR-69.

*: Specifications may vary depending on the type of tester.
Before performing this inspection, refer to the instruction manual of the tester.

GI
MA
EM
LC
EC
FE
CL
MT
AT
TF
PD
FA
RA
BR
ST
RS
BT
HA
EL
IDX

TROUBLE DIAGNOSES



Diagnostic Procedure 4

WHEEL SENSOR OR ROTOR

(Malfunction code No. 21, 22, 25, 26, 31, 32, 35, 36 or 18)

1. Disconnect connectors from control unit and wheel sensor of malfunction code No. Check terminals for damage or loose connection. Then reconnect connectors.
 2. Carry out self-diagnosis again.
- Does warning lamp activate again?**

No → Inspection end

Yes

A

WHEEL SENSOR ELECTRICAL CHECK

OK → **A** (See next page.)

- Disconnect connectors from control unit.
 - Check resistance between control unit connector terminals.
- Code No. 21 or 22 (Front RH wheel)
Terminals **14** and **15**
- Code No. 25 or 26 (Front LH wheel)
Terminals **36** (2WD) **35** (4WD) and **10**
- Code No. 31 or 32 (Rear RH wheel)
Terminals **11** and **38**
- Code No. 35 or 36 (Rear LH wheel)
Terminals **12** and **40**
- Resistance: 0.8 - 1.2 kΩ**

NG

Note

CHECK WHEEL SENSOR.

Refer to WHEEL SENSOR in Electrical Components Inspection, BR-76.

Note
NG → Replace wheel sensor.

OK

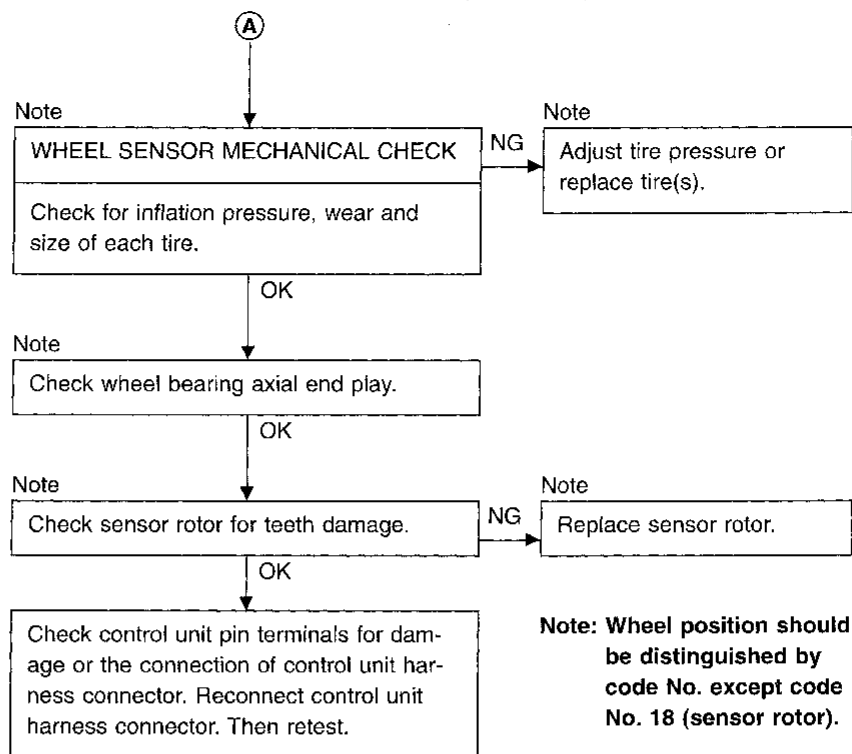
Note

Repair harness and connectors between control unit connector and wheel sensor connector.

Note: Wheel position should be distinguished by code No. except code No. 18 (sensor rotor).

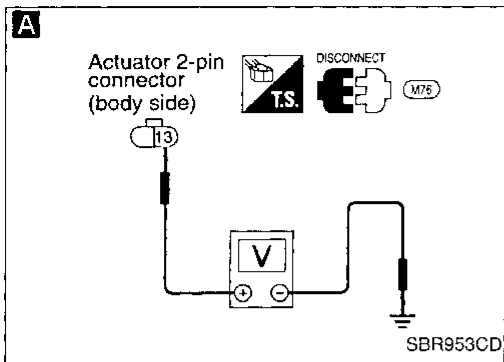
TROUBLE DIAGNOSES

Diagnostic Procedure 4 (Cont'd)



CF
WA
EM
LC
EC
FE
CL
MT
AT
TF
PD
FA
RA
BR
ST
RS
BT
HA
EL
IDX

Diagnostic Procedure 5 MOTOR RELAY OR MOTOR (Malfunction code No. 61)

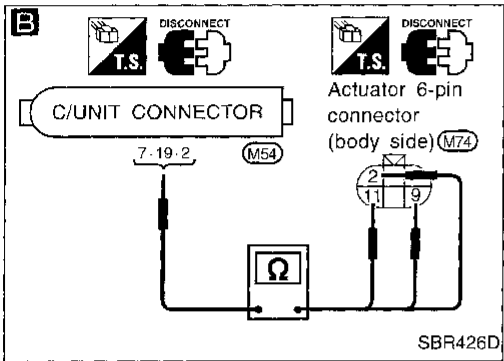


MOTOR POWER SUPPLY CIRCUIT

Check 40A fusible link [d] for actuator. For fusible link layout, refer to POWER SUPPLY ROUTING in EL section.

NG → **B** (Skip page.)

OK



1. Disconnect connectors from control unit and actuator. Check terminals for damage or loose connection. Then reconnect connectors.

2. Carry out self-diagnosis again.

Does warning lamp activate again?

No → Inspection end

Yes

A

1. Disconnect actuator 2-pin connector.

2. Check voltage between connector (body side) terminal (13) and ground. **Battery voltage should exist.**

NG → Check the following.

- Harness connector (M76)
- Harness for open or short between actuator connector and fuse

If NG, repair harness or connectors.

OK

B

CIRCUIT CHECK

1. Disconnect actuator 6-pin connector and control unit connector.

2. Check continuity between control unit connector terminals and actuator 6-pin connector (body side) terminals.

Control unit	Actuator
(7)	(11)
(19)	(9)
(2)	(2)

Continuity should exist.

NG → Check the following.

- Harness connectors (M54, M74)
- Harness for open or short between actuator connector and control unit

If NG, repair harness or connectors.

OK

MOTOR RELAY CHECK

Refer to MOTOR RELAY in Electrical Components Inspection, BR-76.

NG → Replace motor relay.

OK

ACTUATOR MOTOR GROUND CHECK

Refer to ACTUATOR MOTOR GROUND in Ground Circuit Check, BR-55.

NG → Check the following.

- Harness connector (M74)
- Harness for open or short between actuator connector and ground

If NG, repair harness or connectors.

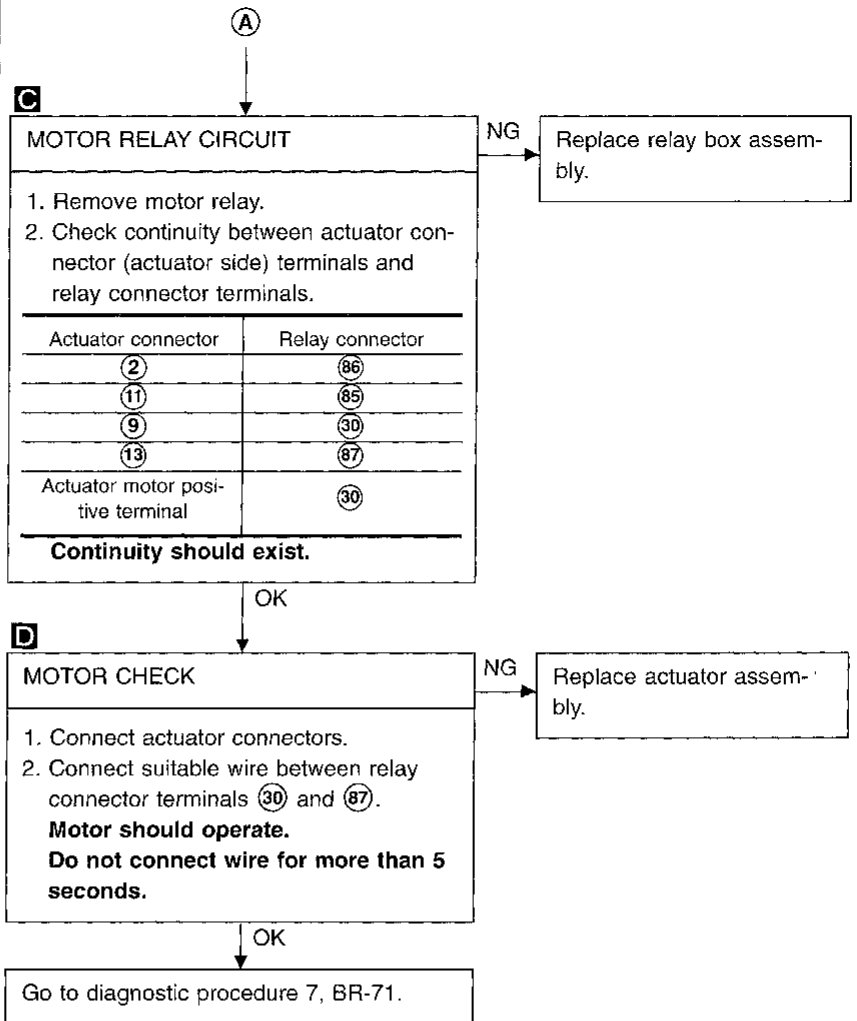
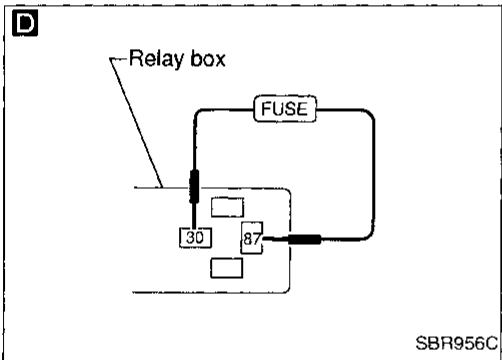
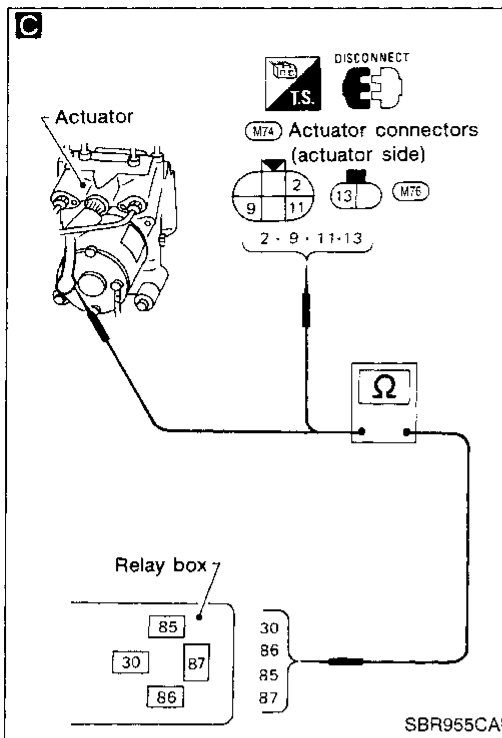
OK

A

(Go to next page.)

TROUBLE DIAGNOSES

Diagnostic Procedure 5 (Cont'd)



GI

MA

EM

LC

EC

FE

CL

MT

AT

TF

PD

FA

RA

BR

ST

RS

BT

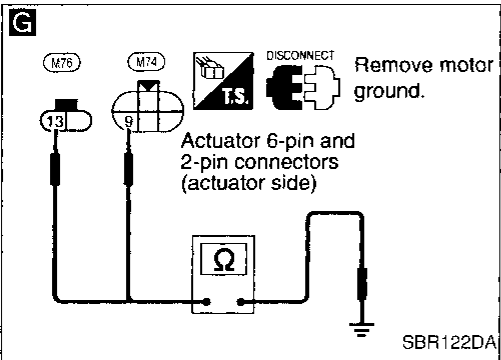
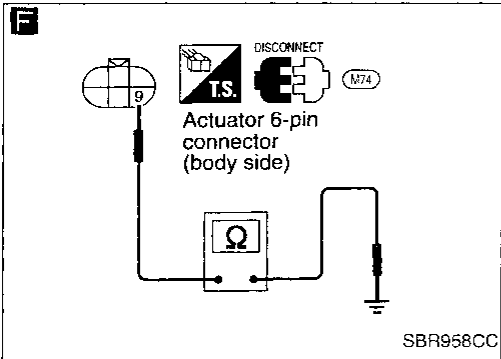
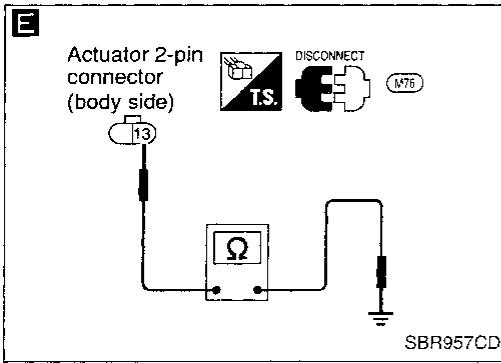
HA

EL

IDX

TROUBLE DIAGNOSES

Diagnostic Procedure 5 (Cont'd)



B

Replace fusible link.
Does the fusible link blow out when ignition switch is turned "ON"?

No → Inspection end

Yes →

E

MOTOR POWER SUPPLY CIRCUIT

NG → Check the following.

- Harness connector (M76)
- Harness for open or short between actuator connector and fuse

If NG, repair harness or connectors.

OK →

F

1. Disconnect actuator 6-pin connector and control unit connector.
2. Check continuity between actuator 6-pin connector (body side) terminal (9) and ground.
Continuity should not exist.

NG → Check the following.

- Harness connector (M74)
- Harness for open or short between actuator connector and ground

If NG, repair harness or connectors.

OK →

G

1. Remove motor ground.
2. Check continuity between actuator 6-pin connector (actuator side) terminal (9) and ground, 2-pin connector (actuator side) terminal (13) and ground.
Continuity should not exist.

NG → Replace actuator assembly.

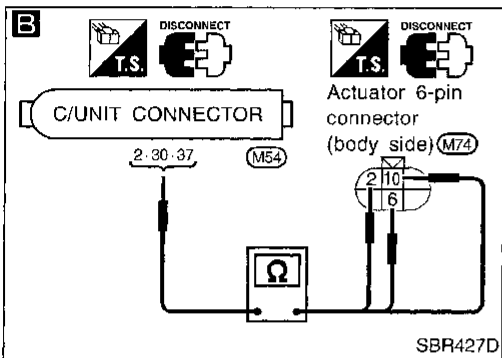
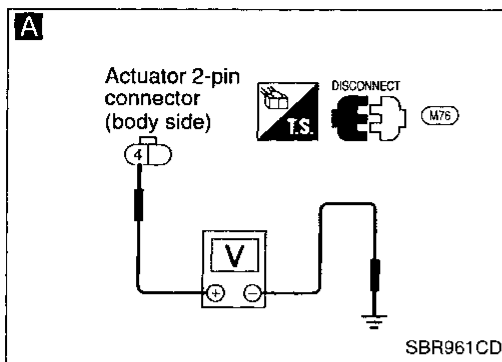
OK →

MOTOR CHECK

Go to **D** in Diagnostic Procedure 5 on the preceding page.

OK →

Check control unit pin terminals for damage or the connection of control unit harness connector. Reconnect control unit harness connector. Then retest.



Diagnostic Procedure 6 SOLENOID VALVE RELAY (Malfunction code No. 63)

SOLENOID VALVE POWER SUPPLY CHECK

Check 40A fusible link **C**. For fusible link layout, refer to POWER SUPPLY ROUTING in EL section.

NG → **A** (See next page.)

OK

1. Disconnect connectors from control unit and actuator. Check terminals for damage or loose connection. Then reconnect connectors.
2. Carry out self-diagnosis again.
Does warning lamp activate again?

No → Inspection end

Yes

GROUND CIRCUIT CHECK

Refer to CONTROL UNIT GROUND and ACTUATOR GROUND in Ground Circuit Check, BR-55.

NG → Check the following.

- Harness connectors **M54**, **M74**
- Harness for open or short between actuator harness and ground
- Harness for open or short between control unit and ground

If NG, repair harness or connectors.

OK

A

SOLENOID VALVE POWER SUPPLY CHECK

1. Disconnect connectors from actuator.
2. Check voltage between actuator 2-pin connector (body side) terminal **4** and ground.
Battery voltage should exist.

NG → Check the following.

- Harness connector **M76**
- Harness for open or short between actuator connector and fuse

If NG, repair harness or connectors.

OK

B

CIRCUIT CHECK

1. Disconnect control unit connector.
2. Check continuity between control unit connector terminals and actuator connector (body side) terminals.

Control unit	Actuator
(37)	(6)
(2)	(2)
(30)	(10)

Continuity should exist.

NG → Check the following.

- Harness connectors **M54**, **M74**
- Harness for open or short between actuator connector and control unit

If NG, repair harness or connectors.

OK

SOLENOID VALVE RELAY CHECK

Refer to SOLENOID VALVE RELAY in Electrical Components Inspection, BR-76.

NG → Replace solenoid valve relay.

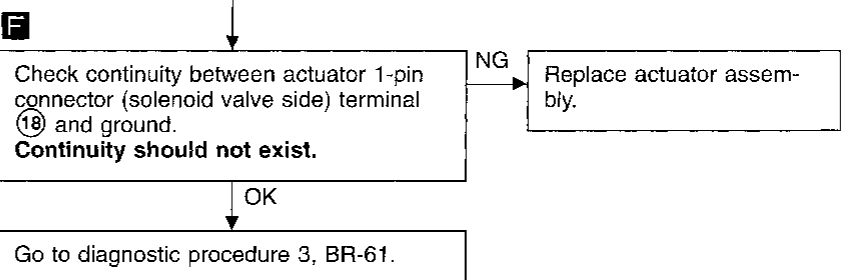
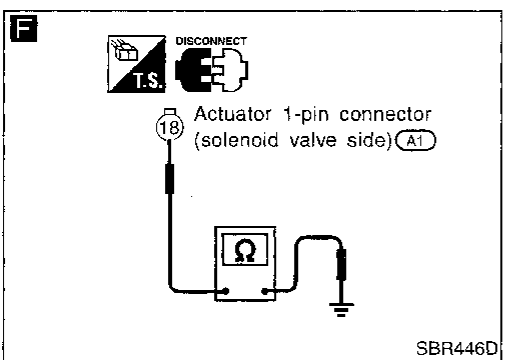
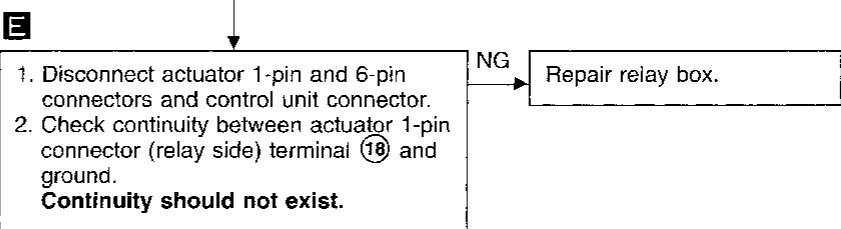
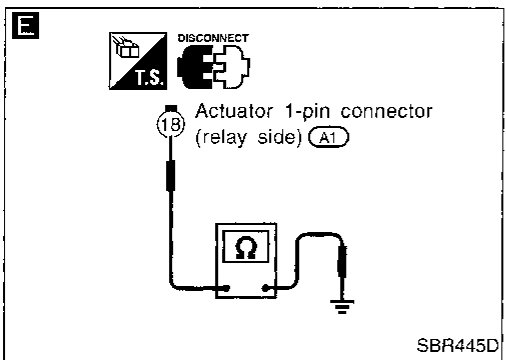
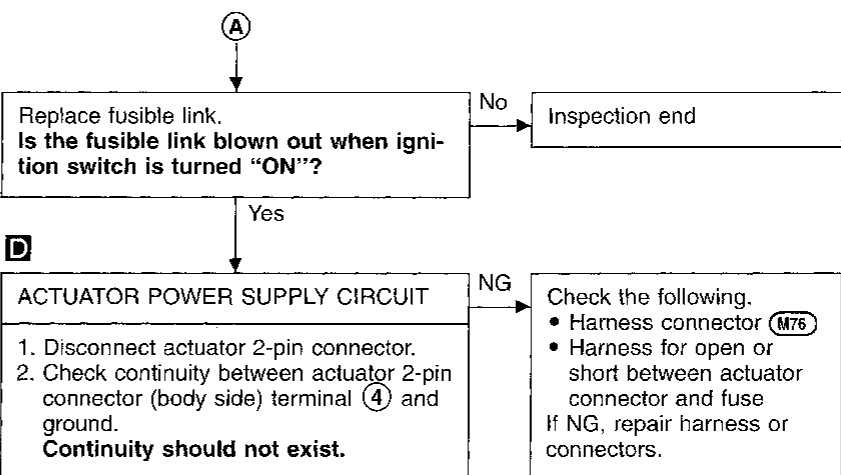
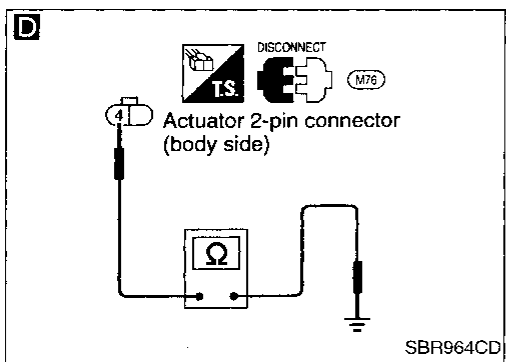
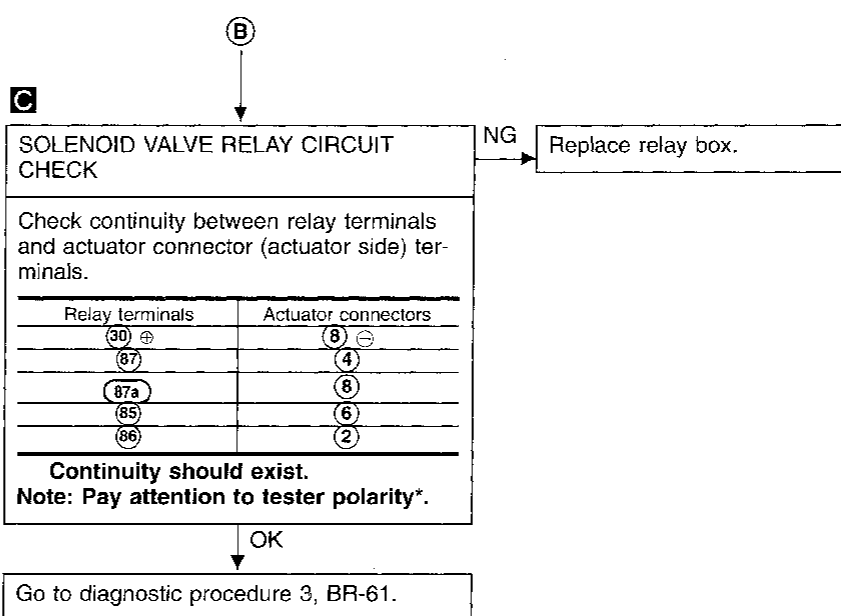
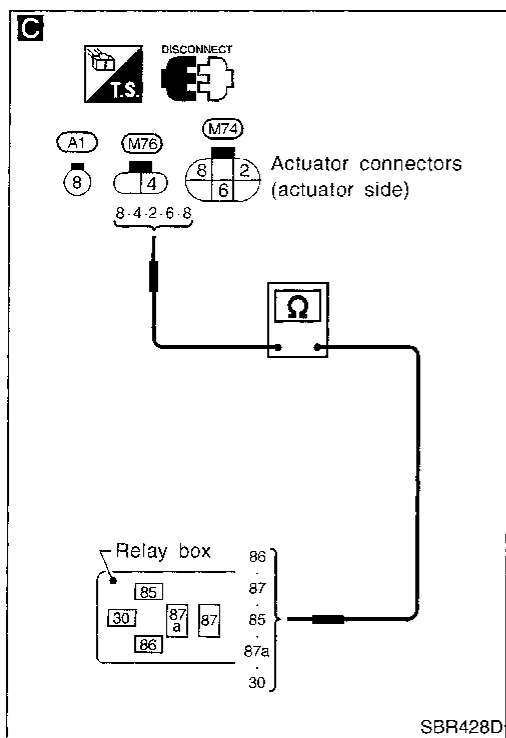
OK

B
(Go to next page.)

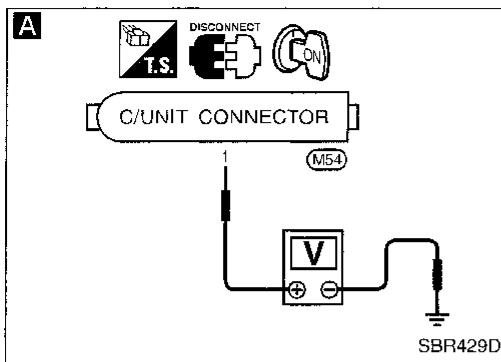
CI
MA
EM
LC
EC
FE
CL
MT
AT
TF
PD
FA
RA
BR
ST
RS
BT
HA
EL
IDX

TROUBLE DIAGNOSES

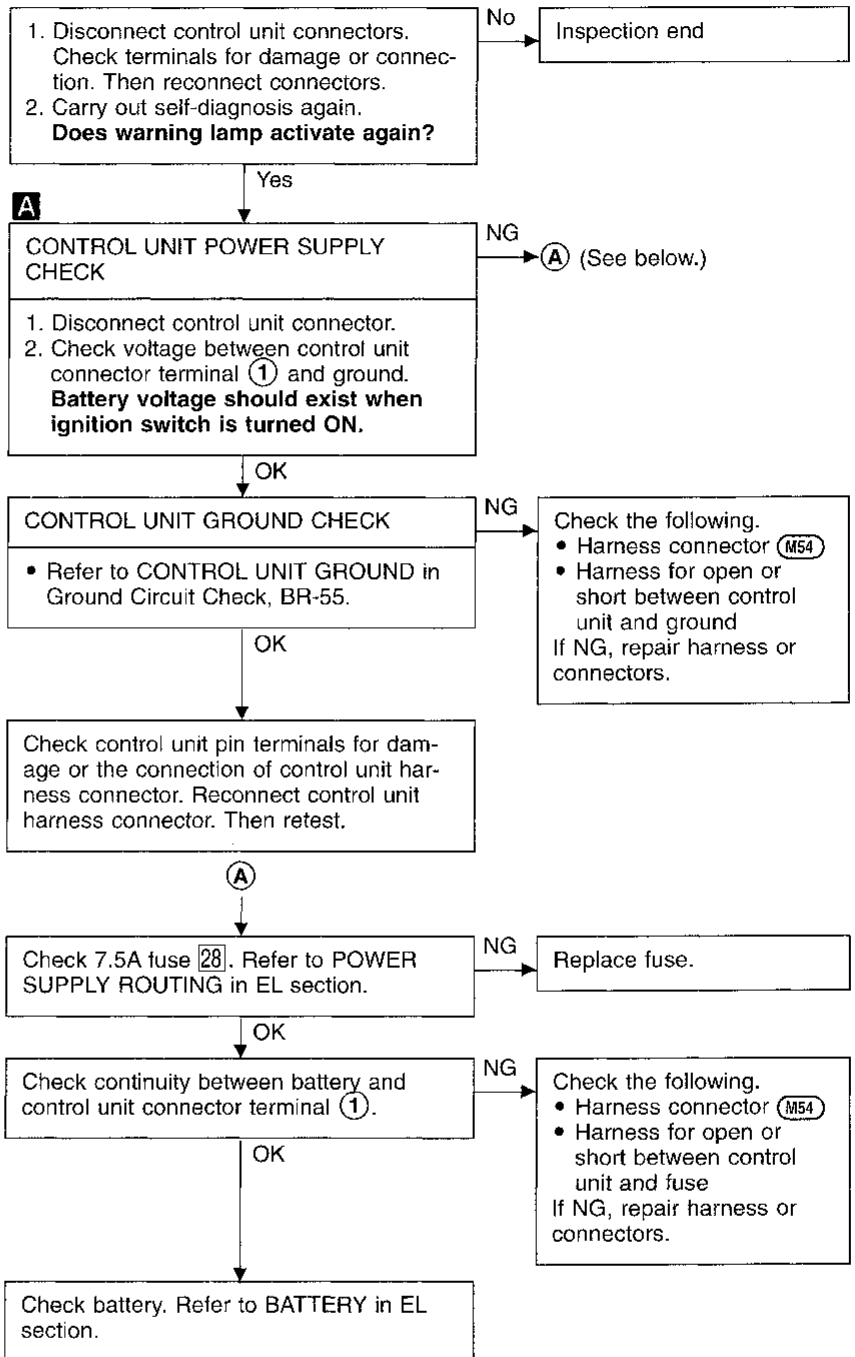
Diagnostic Procedure 6 (Cont'd)



*: Specifications may vary depending on the type of tester.
Before performing this inspection, refer to the instruction manual of the tester.



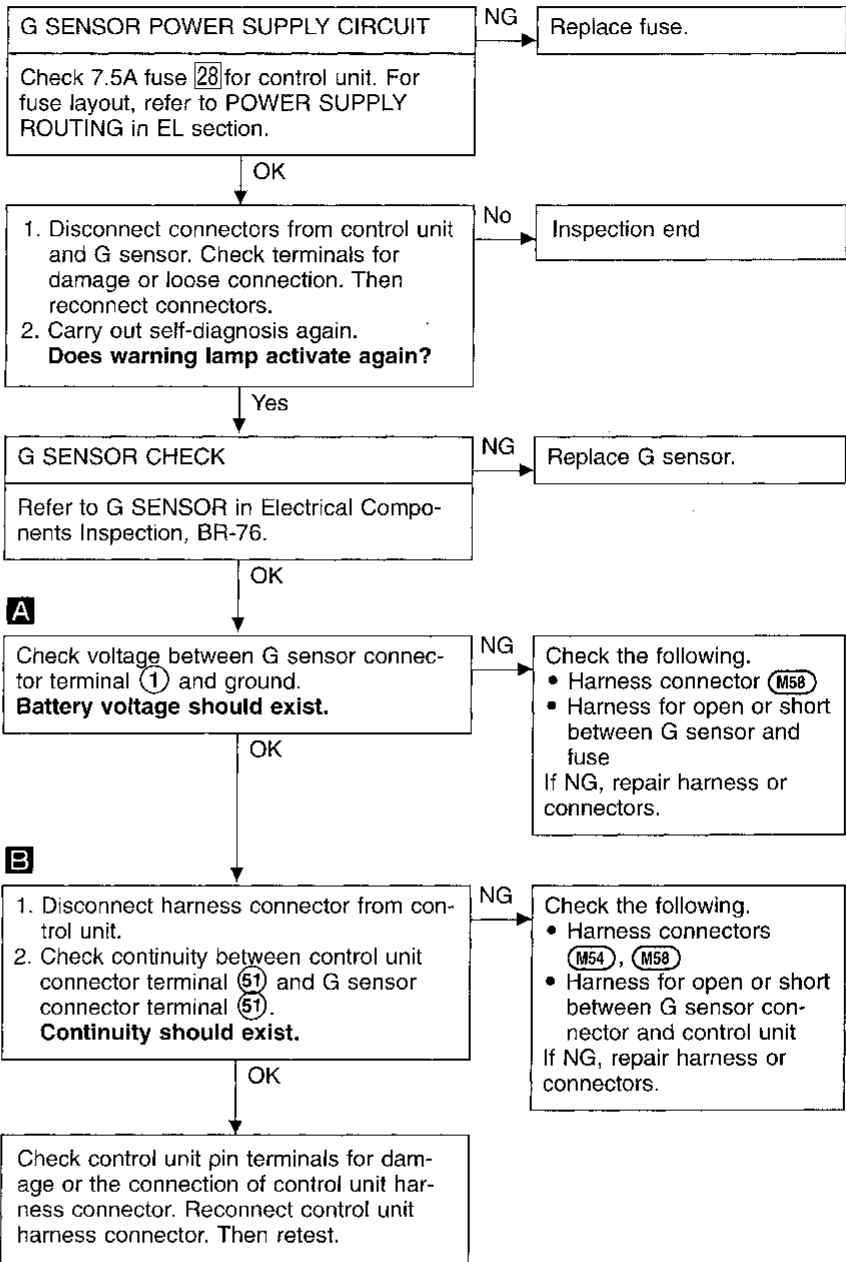
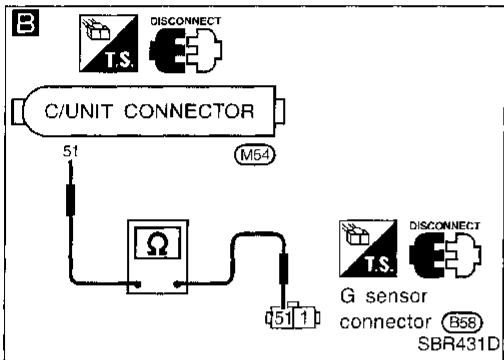
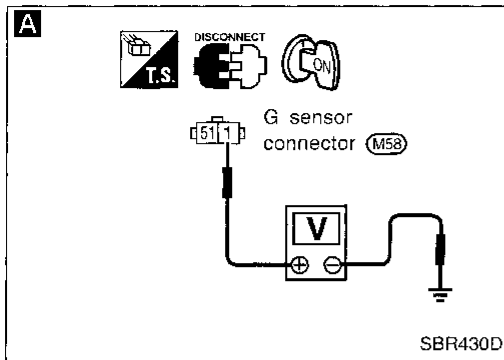
Diagnostic Procedure 7 POWER SUPPLY (Low voltage) (Malfunction code No. 57)



GI
MA
EM
LC
EC
FE
CL
MT
AT
TF
PD
FA
RA
BR
ST
RS
BT
HA
EL
ICX

Diagnostic Procedure 8

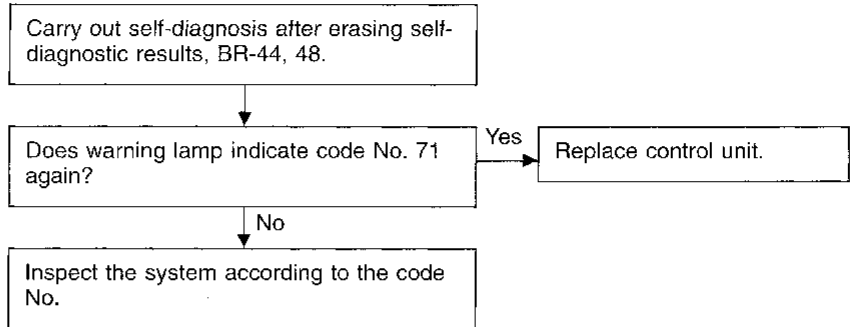
G SENSOR (Malfunction code No. 17)



Diagnostic Procedure 9

CONTROL UNIT

(Malfunction code No. 71)



GI

MA

EM

LC

EC

FE

CL

MT

AT

TF

PD

FA

RA

BR

ST

RS

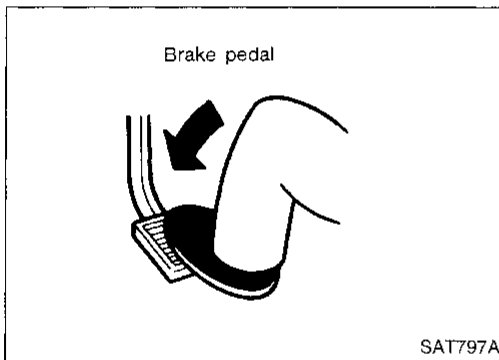
BT

HA

EL

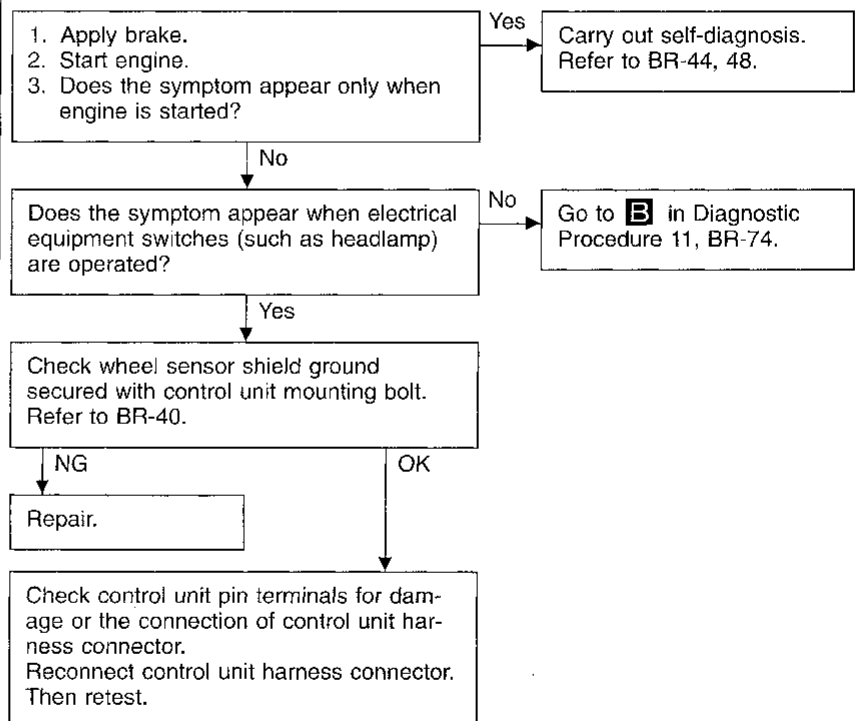
IDX

885



Diagnostic Procedure 10

SYMPTOM: Pedal vibration and noise

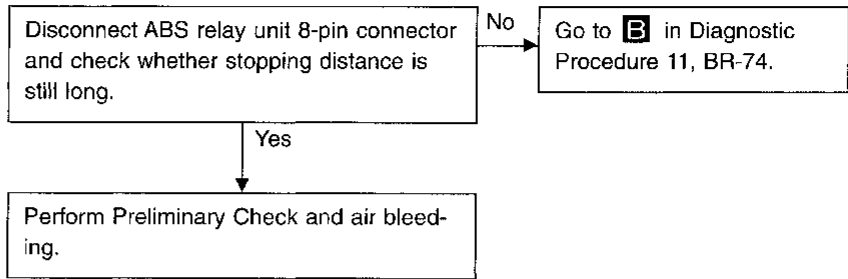


Note: ABS may operate and cause vibration under any of the following conditions.

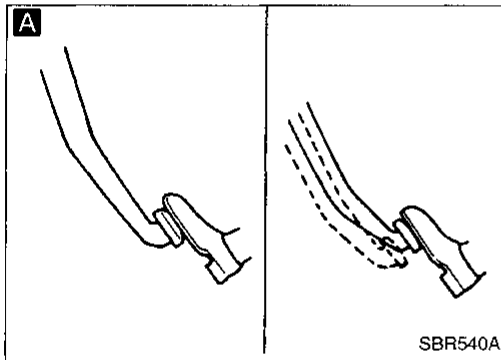
- Applying brake gradually when shifting or operating clutch.
- Low friction (slippery) road.
- High speed cornering.
- Driving over bumps and pot holes.
- Engine speed is over 5,000 rpm with vehicle stopped.

Diagnostic Procedure 11

SYMPTOM: Long stopping distance

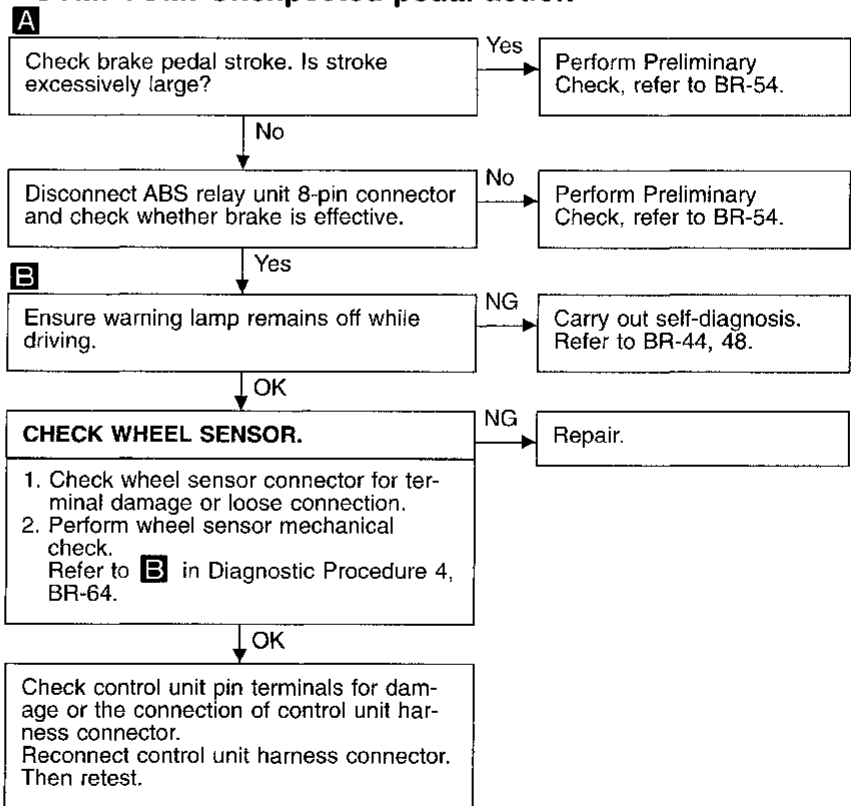
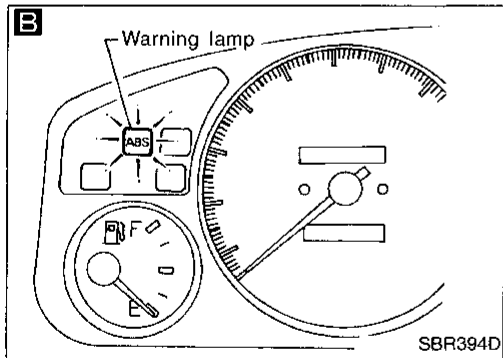


Note: Stopping distance may be larger than vehicles without ABS when road condition is slippery.



Diagnostic Procedure 12

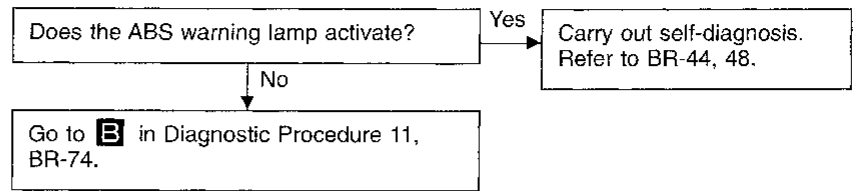
SYMPTOM: Unexpected pedal action



TROUBLE DIAGNOSES

Diagnostic Procedure 13

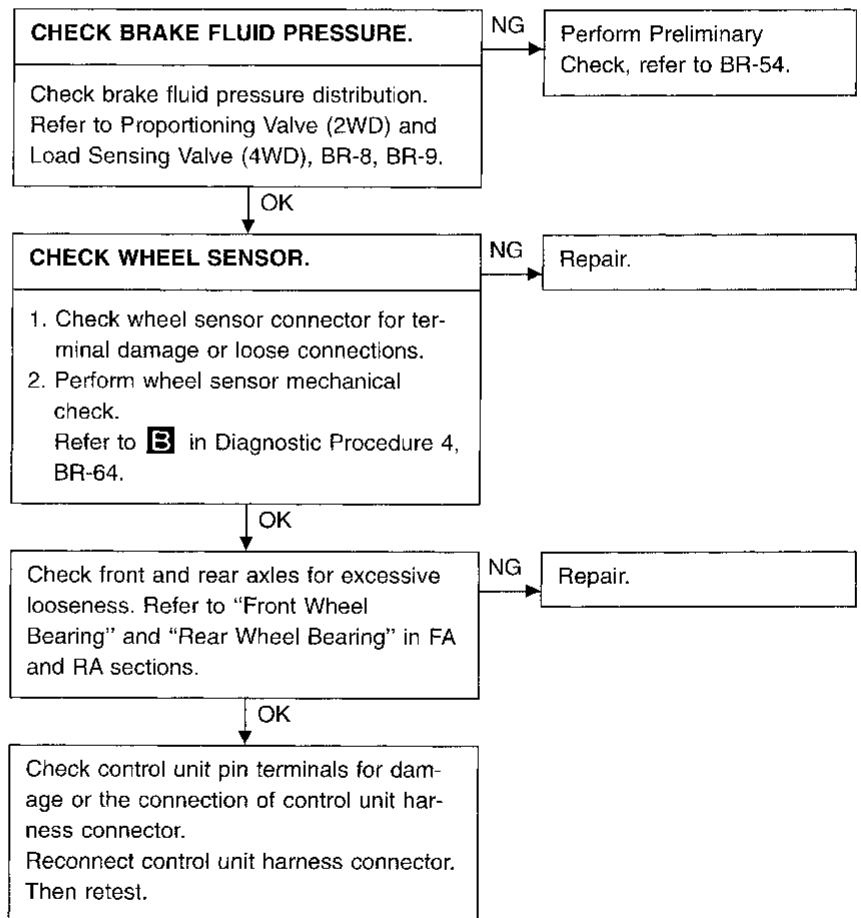
SYMPTOM: ABS does not work.



Note: ABS does not work when vehicle speed is under 10 km/h (6 MPH).

Diagnostic Procedure 14

SYMPTOM: ABS works frequently.



Electrical Components Inspection

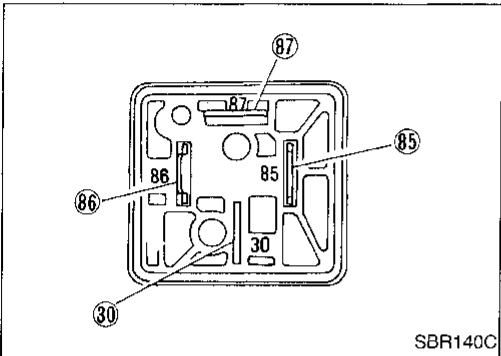
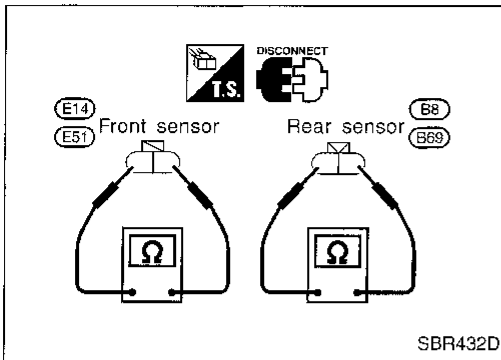
WHEEL SENSOR

Check resistance for each sensor.

Resistance:

Front 0.9 - 1.1 k Ω

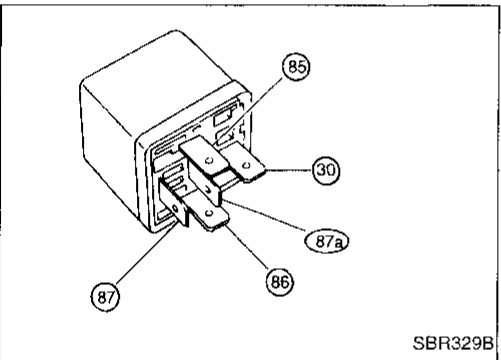
Rear 1.44 - 1.76 k Ω



ACTUATOR MOTOR RELAY

Condition	Continuity existence between terminals (30) and (87)
Battery voltage not applied between terminals (85) and (86).	No
Battery voltage applied between terminals (85) and (86).	Yes

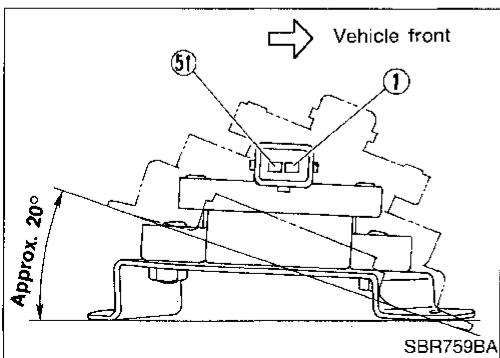
While applying battery voltage to relay terminals, insert fuse into the circuit.



SOLENOID VALVE RELAY

Condition	Continuity existence between terminals (30) and (87a)	Continuity existence between terminals (30) and (87)
Battery voltage not applied between terminals (85) and (86).	Yes	No
Battery voltage applied between terminals (85) and (86).	No	Yes

While applying battery voltage to relay terminals, insert fuse into the circuit.



G SENSOR

Condition	Resistance between terminals (1) and (51)	Continuity
Installed in vehicle	Less than 100 Ω	Yes
Tilted as shown in figure	Over 100 k Ω	No

SERVICE DATA AND SPECIFICATIONS (SDS)

General Specifications

Applied model	2WD	4WD
Front brake	AD31VA	
Brake model	AD31VA	
Cylinder bore diameter x number of pistons mm (in)	44.45 (1.7500) x 2	
Pad length x width x thickness mm (in)	132.0 x 52.5 x 11 (5.20 x 2.067 x 0.43)	
Rotor outer diameter x thickness mm (in)	283 x 28 (11.14 x 1.10)	
Rear brake	LT30C	
Brake model	LT30C	
Cylinder bore diameter x number of pistons mm (in)	20.64 (13/16)	
Lining length x width x thickness mm (in)	296 x 50 x 6.1 (11.65 x 1.97 x 0.240)	
Drum inner diameter x thickness mm (in)	295.0 (11.61)	
Master cylinder	25.40 (1)	
Bore diameter mm (in)	25.40 (1)	
Control valve	Proportioning valve within master cylinder	Linkage type load sensing valve
Valve model		
Split point [kPa (kg/cm ² , psi)] x reducing ratio	2,942 (30, 427) x 0.2	(Variable) x 0.15
Brake booster	M215T	
Booster model	M215T	
Diaphragm diameter mm (in)	Pri.: 230 (9.06) Sec.: 205 (8.07)	
Recommended brake fluid	DOT 3	

GI

MA

EM

LC

EC

FE

CL

MT

AT

TF

PD

FA

RA

BR

ST

RS

BT

HA

EL

DX

SERVICE DATA AND SPECIFICATIONS (SDS)

Inspection and Adjustment

DISC BRAKE

Unit: mm (in)

Brake model	AD31VA
Pad wear limit	
Minimum thickness	2.0 (0.079)
Rotor repair limit	
Minimum thickness	26.0 (1.024)

DRUM BRAKE

Unit: mm (in)

Brake model	LT30C
Lining wear limit	
Minimum thickness	1.5 (0.059)
Drum repair limit	
Maximum inner diameter	296.5 (11.67)
Out-of-round limit	0.03 (0.0012)

BRAKE PEDAL

Unit: mm (in)

Transmission	M/T	A/T
Free height "H"*	165 - 175 (6.50 - 6.89)	175 - 185 (6.89 - 7.28)
Depressed height "D" [under force of 490 N (50 kg, 110 lb) with engine running]	65 (2.56)	70 (2.76)
Clearance "C" between pedal stop- per and threaded end of stop lamp switch or ASCD switch	0.3 - 1.0 (0.012 - 0.039)	
Pedal free play		
At clevis	1.0 - 3.0 (0.039 - 0.118)	
At pedal pad	4 - 12 (0.16 - 0.47)	

*: Measured from surface of dash lower panel to pedal pad

PARKING BRAKE CONTROL

Control type	Center lever
Lever stroke [under force of 196 N (20 kg, 44 lb)]	6 - 8
Lever stroke when warning switch comes on	1