

SECTION **AT**

CONTENTS

PREPARATION AND PRECAUTIONS	2	TROUBLE DIAGNOSIS FOR DTC P0710	61
Special Service Tools	2	A/T Fluid Temperature Sensor Circuit and A/T	
Supplemental Restraint System (SRS) "AIR		Control Unit Power Source.....	61
BAG"	3	TROUBLE DIAGNOSIS FOR DTC P0720	64
Precautions for On Board Diagnostic (OBD)		Vehicle Speed Sensor-A/T (Revolution sensor)	64
System of A/T and Engine.....	3	TROUBLE DIAGNOSIS FOR DTC P0725	66
Precautions	4	Engine Speed Signal.....	66
Service Notice or Precautions.....	5	TROUBLE DIAGNOSIS FOR DTC P0731	68
OVERALL SYSTEM	6	Improper Shifting to 1st Gear Position	68
A/T Electrical Parts Location	6	TROUBLE DIAGNOSIS FOR DTC P0732	71
Circuit Diagram.....	7	Improper Shifting to 2nd Gear Position.....	71
Wiring Diagram — AT —	8	TROUBLE DIAGNOSIS FOR DTC P0733	73
Cross-sectional View	14	Improper Shifting to 3rd Gear Position.....	73
Hydraulic Control Circuit.....	15	TROUBLE DIAGNOSIS FOR DTC P0734	75
Shift Mechanism	16	Improper Shifting to 4th Gear Position.....	75
Control System	18	TROUBLE DIAGNOSIS FOR DTC P0740	80
ON BOARD DIAGNOSTIC SYSTEM		Torque Converter Clutch Solenoid Valve	80
DESCRIPTION	20	TROUBLE DIAGNOSIS FOR DTC P0744	83
Introduction	20	Improper Lock-up Operation.....	83
One or Two Trip Detection Logic.....	20	TROUBLE DIAGNOSIS FOR DTC P0745	88
Diagnostic Trouble Code (DTC)	20	Line Pressure Solenoid Valve	88
Self-diagnosis	22	TROUBLE DIAGNOSIS FOR DTC P0750	91
Diagnosis by CONSULT	27	Shift Solenoid Valve A	91
TROUBLE DIAGNOSIS — Introduction	30	TROUBLE DIAGNOSIS FOR DTC P0755	94
Introduction	30	Shift Solenoid Valve B.....	94
Diagnostic Worksheet.....	31	TROUBLE DIAGNOSIS FOR DTC P1705	97
Work Flow.....	34	Throttle Position Sensor	97
TROUBLE DIAGNOSIS — Basic Inspection	35	TROUBLE DIAGNOSIS FOR DTC P1760	99
A/T Fluid Check	35	Overrun Clutch Solenoid Valve	99
Road Test.....	35	TROUBLE DIAGNOSIS FOR VHCL SPEED	
Shift Schedule.....	45	SEN-MTR	102
TROUBLE DIAGNOSIS — General Description	46	Vehicle Speed Sensor-MTR.....	102
Diagnostic Trouble Code (DTC) Chart	46	DIAGNOSTIC PROCEDURES FOR SYMPTOMS	104
Symptom Chart.....	48	1. O/D OFF Indicator Lamp Does Not Come On....	104
A/T Control Unit Terminals and Reference Value	51	2. Engine Cannot Be Started In "P" and "N"	
TROUBLE DIAGNOSIS FOR DTC P0705	55	Position.....	105
Inhibitor, Overdrive Control and Throttle Position		3. In "P" Position, Vehicle Moves Forward Or	
Switches.....	55	Backward When Pushed.....	105

CONTENTS (Cont'd)

4. In "N" Position, Vehicle Moves	106	Revolution Sensor Replacement	133	GI
5. Large Shock. "N" → "R" Position	107	Rear Oil Seal Replacement	133	
6. Vehicle Does Not Creep Backward In "R" Position	108	Parking Components Inspection	133	MA
7. Vehicle Does Not Creep Forward In "D", "2" Or "1" Position	109	Inhibitor Switch Adjustment	134	
8. Vehicle Cannot Be Started From D ₁	110	Manual Control Linkage Adjustment	134	
9. A/T Does Not Shift: D ₁ → D ₂ Or Does Not Kickdown: D ₄ → D ₂	111	REMOVAL AND INSTALLATION	135	EM
10. A/T Does Not Shift: D ₂ → D ₃	112	Removal	135	
11. A/T Does Not Shift: D ₃ → D ₄	113	Installation	136	
12. A/T Does Not Perform Lock-up	114	MAJOR OVERHAUL	138	LC
13. A/T Does Not Hold Lock-up Condition	115	Oil Channel	140	
14. Lock-up Is Not Released	115	Locations of Needle Bearings, Thrust Washers and Snap Rings	141	EC
15. Engine Speed Does Not Return To Idle (Light Braking D ₄ → D ₃)	116	DISASSEMBLY	142	
16. Vehicle Does Not Start From D ₁	117	Disassembly	142	FE
17. A/T Does Not Shift: D ₄ → D ₃ , When Overdrive Control Switch "ON" → "OFF"	117	REPAIR FOR COMPONENT PARTS	153	
18. A/T Does Not Shift: D ₃ → D ₂ , When Selector Lever "D" → "2" Position	118	Oil Pump	153	GL
19. A/T Does Not Shift: 2 ₂ → 1 ₁ , When Selector Lever "2" → "1" Position	118	Control Valve Assembly	157	
20. Vehicle Does Not Decelerate By Engine Brake	119	Control Valve Upper Body	163	
TROUBLE DIAGNOSES	120	Control Valve Lower Body	168	MT
Final Check	120	Reverse Clutch	170	
TROUBLE DIAGNOSES — A/T Shift Lock System	125	High Clutch	174	AT
Description	125	Forward and Overrun Clutches	176	
Wiring Diagram — SHIFT —	126	Low & Reverse Brake	180	TF
Diagnostic Procedure	127	Forward Clutch Drum Assembly	184	
Key Interlock Cable	129	Rear Internal Gear and Forward Clutch Hub	186	
Component Check	130	Band Servo Piston Assembly	189	PD
ON-VEHICLE SERVICE	132	Parking Pawl Components	193	
Control Valve Assembly and Accumulators Inspection	132	ASSEMBLY	195	
		Assembly (1)	195	FA
		Adjustment	199	
		Assembly (2)	203	
		A/T FLUID COOLER SYSTEM	213	RA
		A/T Fluid Cooler	213	
		SERVICE DATA AND SPECIFICATIONS (SDS)	214	
		General Specifications	214	BR
		Specifications and Adjustment	214	

When you read wiring diagrams:

- Read GI section, "HOW TO READ WIRING DIAGRAMS".
- See EL section, "POWER SUPPLY ROUTING" for power distribution circuit.

When you perform trouble diagnoses, read GI section, "HOW TO FOLLOW FLOW CHART IN TROUBLE DIAGNOSES" and "HOW TO PERFORM EFFICIENT DIAGNOSIS FOR AN ELECTRICAL INCIDENT".

ST

RS

BT

FA

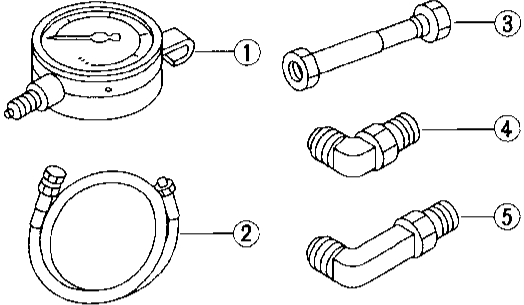
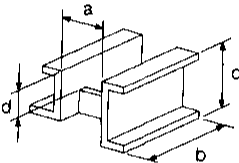
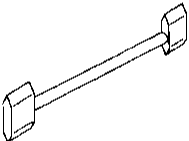
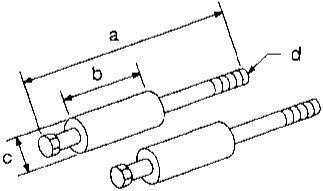
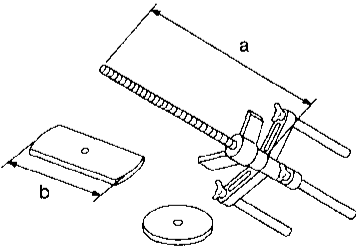
EL

IDX

PREPARATION AND PRECAUTIONS

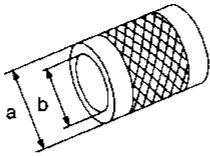
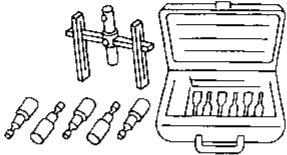
Special Service Tools

The actual shapes of Kent-Moore tools may differ from those of special service tools illustrated here.

Tool number (Kent-Moore No.) Tool name	Description
ST2505S001 (J34301-C) Oil pressure gauge set ① ST25051001 (—) Oil pressure gauge ② ST25052000 (—) Hose ③ ST25053000 (—) Joint pipe ④ ST25054000 (—) Adapter ⑤ ST25055000 (—) Adapter	Measuring line pressure  <p style="text-align: center;">NT097</p>
ST07870000 (J37068) Transmission case stand	Disassembling and assembling A/T  <p style="text-align: center;">NT421</p> <p style="text-align: right;"> a: 182 mm (7.17 in) b: 282 mm (11.10 in) c: 230 mm (9.06 in) d: 100 mm (3.94 in) </p>
KV31102100 (J37065) Torque converter one-way clutch check tool	Checking one-way clutch in torque converter  <p style="text-align: center;">NT098</p>
ST25850000 (J25721-A) Sliding hammer	Removing oil pump assembly  <p style="text-align: center;">NT422</p> <p style="text-align: right;"> a: 179 mm (7.05 in) b: 70 mm (2.76 in) c: 40 mm (1.57 in) dia. d: M12 x 1.75P </p>
KV31102400 (J34285 and J34285-87) Clutch spring compressor	Removing and installing clutch return springs  <p style="text-align: center;">NT423</p> <p style="text-align: right;"> a: 320 mm (12.60 in) b: 174 mm (6.85 in) </p>

PREPARATION AND PRECAUTIONS

Special Service Tools (Cont'd)

Tool number (Kent-Moore No.) Tool name	Description
ST33200000 (J26082) Drift	 <p data-bbox="1015 262 1372 325">Installing oil pump housing oil seal Installing rear oil seal</p> <p data-bbox="1015 401 1291 464">a: 60 mm (2.36 in) dia. b: 44.5 mm (1.752 in) dia.</p> <p data-bbox="446 436 503 457">NT091</p>
(J34291) Shim setting gauge set	 <p data-bbox="1015 472 1477 535">Selecting oil pump cover bearing race and oil pump thrust washer</p> <p data-bbox="446 646 503 667">NT101</p>

Supplemental Restraint System (SRS) "AIR BAG"

The Supplemental Restraint System "Air Bag", used along with a seat belt, helps to reduce the risk or severity of injury to the driver and front passenger in a frontal collision. The Supplemental Restraint System consists of air bag modules (located in the center of the steering wheel and on the instrument panel on the passenger side), a diagnosis sensor unit, warning lamp, wiring harness and spiral cable. Information necessary to service the system safely is included in the **RS section** of this Service Manual.

WARNING:

- To avoid rendering the SRS inoperative, which could increase the risk of personal injury or death in the event of a collision which would result in air bag inflation, all maintenance must be performed by an authorized NISSAN dealer.
- Improper maintenance, including incorrect removal and installation of the SRS, can lead to personal injury caused by unintentional activation of the system.
- Do not use electrical test equipment on any circuit related to the SRS unless instructed to in this Service Manual. SRS wiring harnesses are covered with yellow insulation either just before the harness connectors or for the complete harness, for easy identification.

Precautions for On Board Diagnostic (OBD) System of A/T and Engine

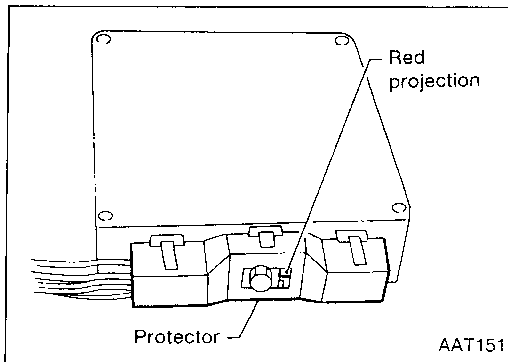
The ECM (ECCS control module) has an on board diagnostic system. It will light up the malfunction indicator lamp (MIL) to warn the driver of a malfunction causing emission deterioration.

CAUTION:

- Be sure to turn the ignition switch "OFF" and disconnect the negative battery terminal before the repair or inspection work. The open/short circuit of the related switches, sensors, solenoid valves, etc. will cause the MIL to light up.
- Be sure to connect and lock the connectors securely after the work. The loose (unlocked) connector will cause the MIL to light up due to the open circuit. (Be sure to connect the connector without water, grease, dirt, bent terminals, etc. in it.)
- Be sure to route and clamp the harnesses properly after work. The interference of the harness with a bracket, etc. may cause the MIL to light up due to the short circuit.
- Be sure to erase the unnecessary (already fixed) malfunction information in the A/T control unit or ECM before returning the vehicle to the customer.

Precautions

- Before proceeding with disassembly, thoroughly clean the outside of the transmission. It is important to prevent the internal parts from becoming contaminated by dirt or other foreign matter.
- Disassembly should be done in a clean work area.
- Use lint-free cloth or towels for wiping parts clean. Common shop rags can leave fibers that could interfere with the operation of the transmission.
- Place disassembled parts in order for easier and proper assembly.
- All parts should be carefully cleaned with a general purpose, non-flammable solvent before inspection or reassembly.
- Gaskets, seals and O-rings should be replaced any time the transmission is disassembled.
- When connecting A/T control unit harness connector, tighten bolt until red projection is in line with connector.
- The valve body contains precision parts and requires extreme care when parts are removed and serviced. Place removed parts in a parts rack in order to replace them in correct positions and sequences. Care will also prevent springs and small parts from becoming scattered or lost.
- Properly installed valves, sleeves, plugs, etc. will slide along bores in valve body under their own weight.
- Before assembly, apply a coat of recommended ATF to all parts. Apply petroleum jelly to protect O-rings and seals, and to hold bearings and washers in place during assembly. Do not use grease.
- Extreme care should be taken to avoid damage to O-rings, seals and gaskets when assembling.
- Replace ATF cooler if excessive foreign material is found in oil pan or clogging strainer. Refer to "ATF COOLER SERVICE", on next page.
- After overhaul, refill the transmission with new ATF.
- When the A/T drain plug is removed, only some of the fluid is drained. Old A/T fluid will remain in torque converter and ATF cooling system. Always follow the procedures under "Changing A/T Fluid" in the MA section when changing A/T fluid.



- It is very important to perform functional tests whenever they are indicated.

Service Notice or Precautions

FAIL-SAFE

The A/T control unit has an electronic Fail-Safe (limp home mode). This allows the vehicle to be driven even if a major electrical input/output device circuit is damaged.

Under Fail-Safe, the vehicle always runs in third gear even with a shift lever position of "1", "2" or "D". Customer may complain of "sluggish or poor acceleration".

When the Fail-Safe operation occurs the next time the key is turned to the "ON" position, the O/D OFF indicator lamp will blink for about 8 seconds. (For diagnosis, refer to AT-36.)

Fail-Safe may activate without electrical circuit damages if the vehicle is driven under extreme conditions (such as excessive wheel spins and emergency braking immediately afterwards). In this case, turn the ignition key "OFF" for 5 seconds and then "ON" to recover normal shift pattern.

The blinking of the O/D OFF indicator lamp for about 8 seconds will appear only once and be cleared. The customer may resume normal driving conditions by chance.

Always follow the "WORK FLOW" (Refer to AT-34).

The SELF-DIAGNOSIS results will be as follows:

The first SELF-DIAGNOSIS will indicate the damage of the vehicle speed sensor or the revolution sensor.

During the next SELF-DIAGNOSIS performed after checking the sensor, no damages will be indicated.

ATF COOLER SERVICE

Replace ATF cooler if excessive foreign material is found in oil pan or clogging strainer.

KA24DE engine (with RE4R01A) ... fin type cooler

Replace radiator lower tank (which includes ATF cooler) with a new one and flush cooler line using cleaning solvent and compressed air.

OBD-II SELF-DIAGNOSIS

- A/T self-diagnosis is performed by the A/T control unit in combination with the ECM. The results can be read through the blinking pattern of the O/D OFF indicator or the malfunction indicator lamp (MIL). Refer to the table on AT-22 for the indicator used to display each self-diagnostic result.

- The self-diagnostic results indicated by the MIL are automatically stored in both the ECM and A/T control unit memories.

Always perform the procedure "HOW TO ERASE DTC" on AT-20 to complete the repair and avoid unnecessary blinking of the MIL.

- The following self-diagnostic items can be detected using ECM self-diagnostic results mode* only when the O/D OFF indicator lamp does not indicate any malfunctions.

-Improper shifting to 1st, 2nd, 3rd, or 4th gear position

-Improper torque converter clutch operation

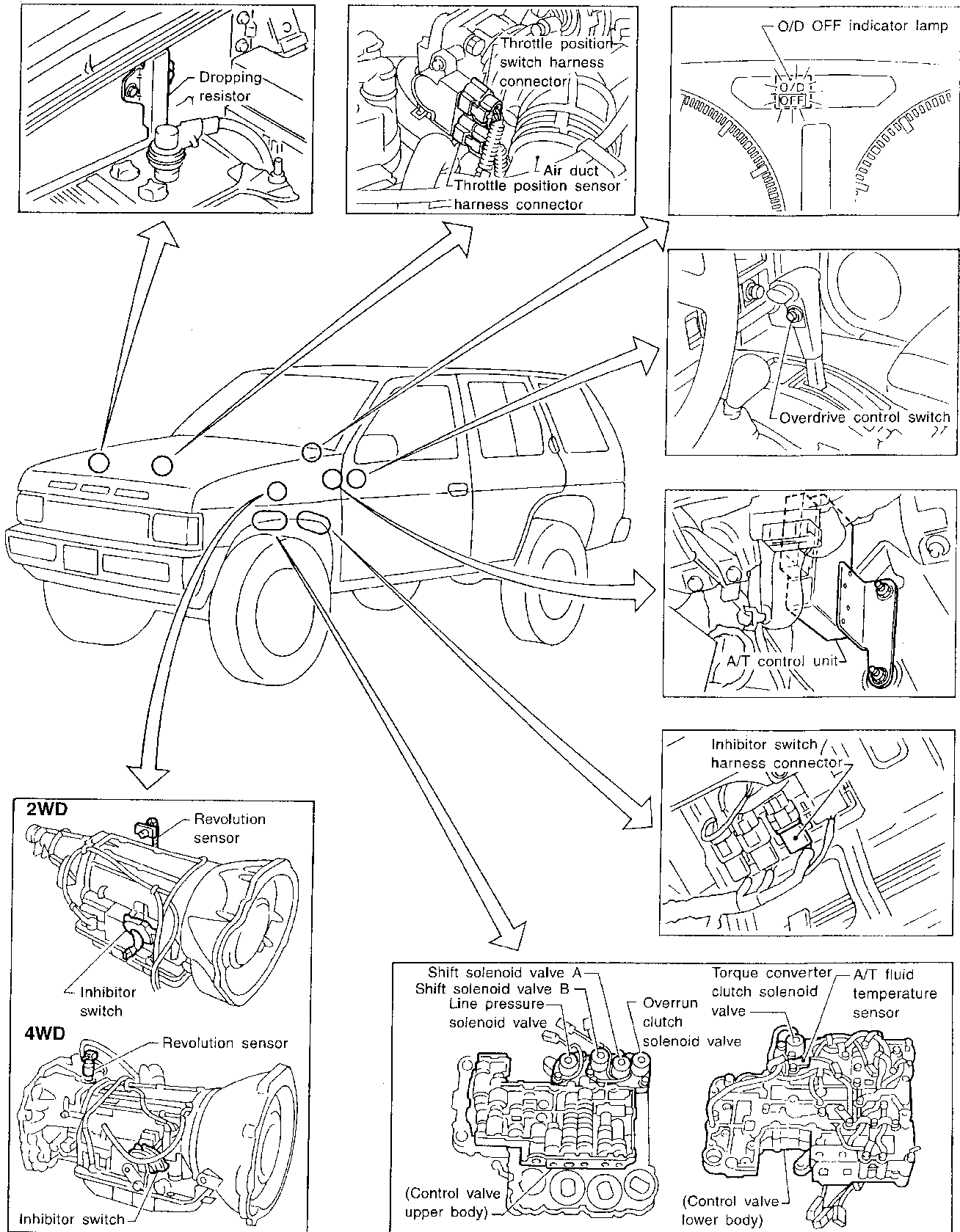
-Improper lock-up operation.

*: For details of OBD-II, refer to EC section ("ON BOARD DIAGNOSTIC SYSTEM DESCRIPTION").

CI
MA
EM
LC
EC
FE
CL
MT
AT
TF
PD
FA
RA
BR
ST
RS
BT
HA
EL
IDX

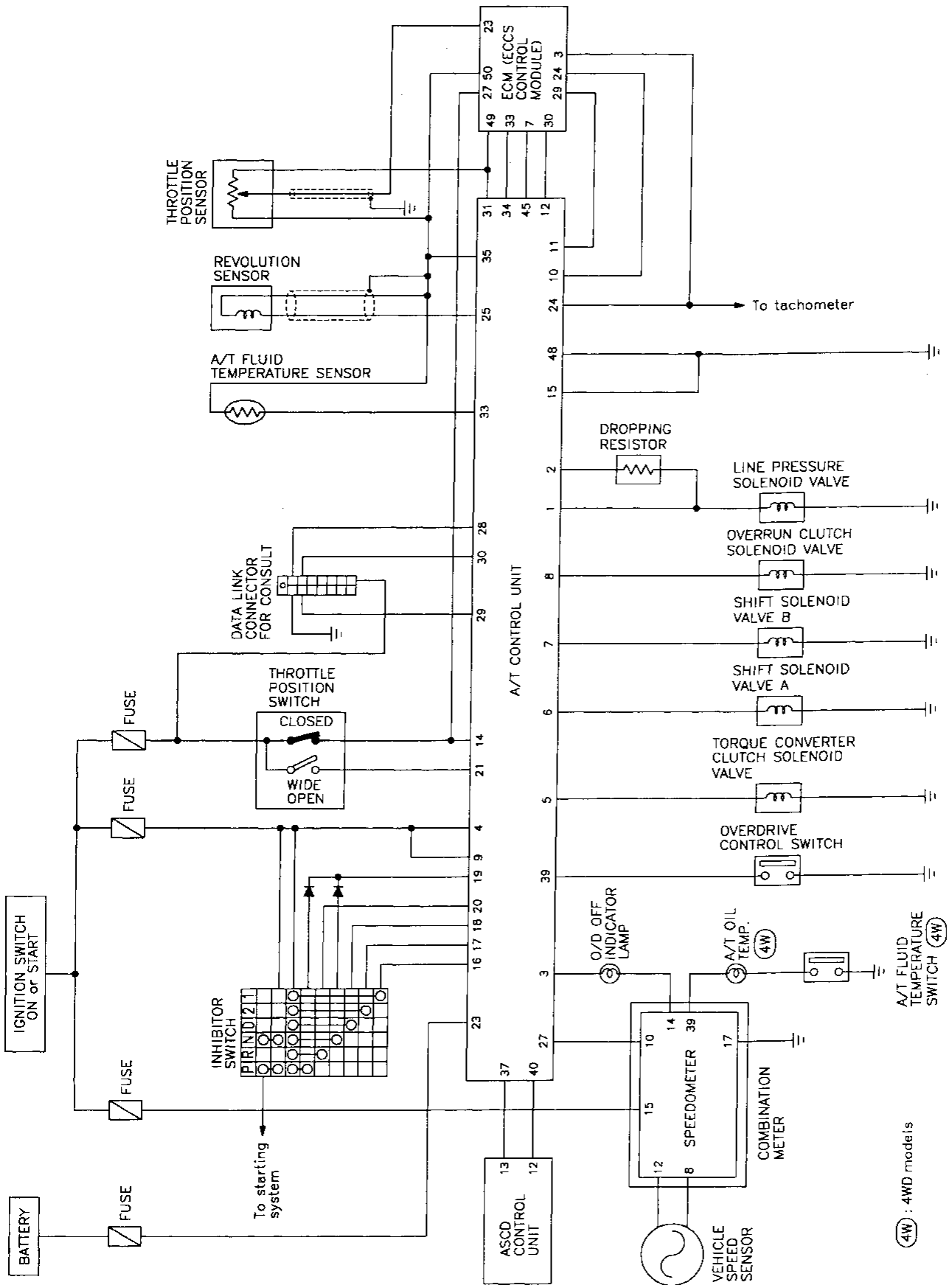
OVERALL SYSTEM

A/T Electrical Parts Location



OVERALL SYSTEM

Circuit Diagram



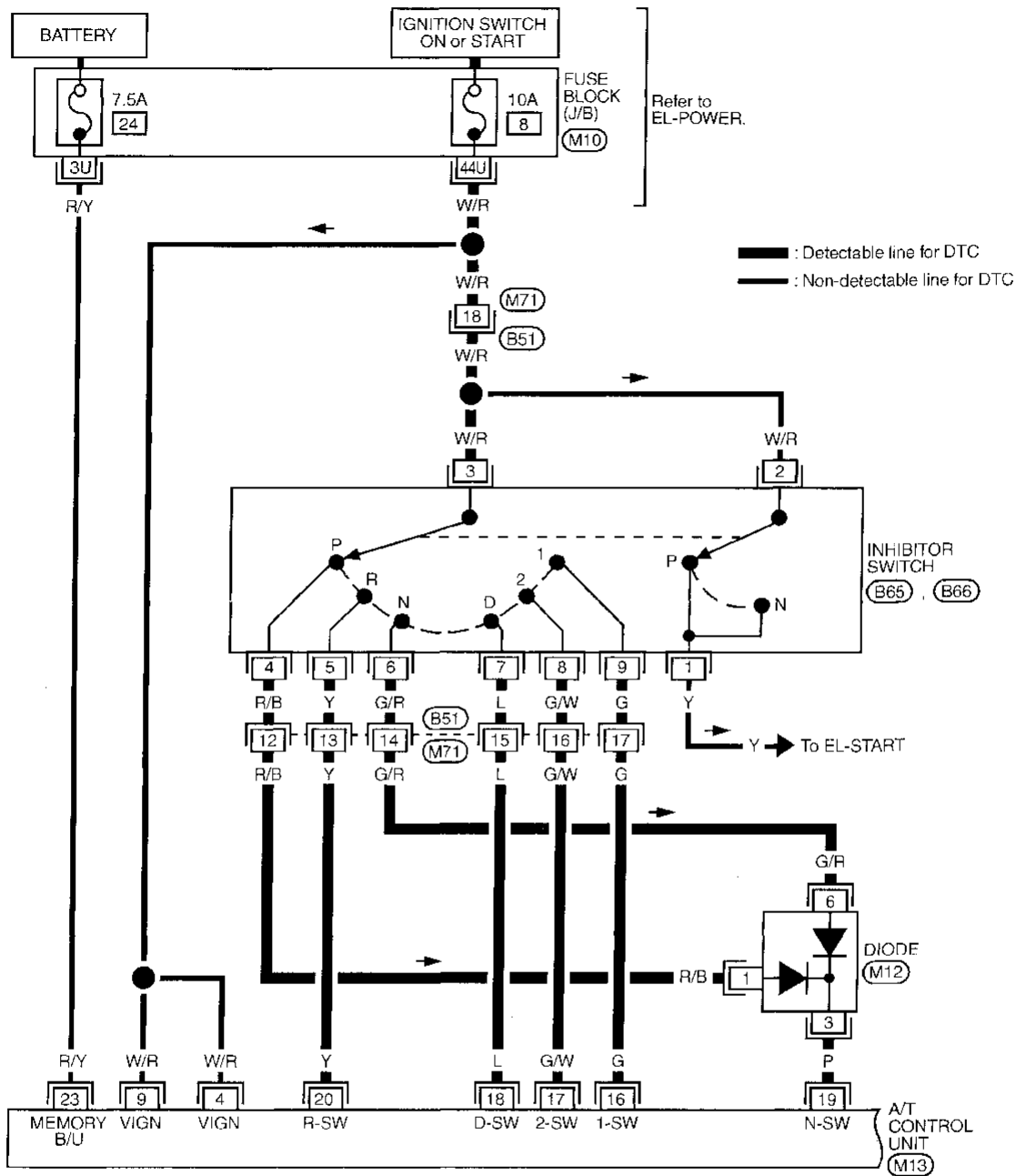
- GI
- MA
- EM
- LC
- EC
- EE
- CL
- ME
- AT**
- TF
- PD
- FA
- RA
- BR
- ST
- BS
- BT
- HA
- EL
- IDX

(4W) : 4WD models

OVERALL SYSTEM

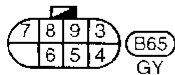
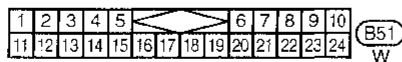
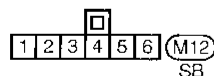
Wiring Diagram — AT —

AT-A/T-01



Refer to last page (Foldout page).

(M10)
(M13)



OVERALL SYSTEM

Wiring Diagram — AT — (Cont'd)

AT-A/T-02

GI

MA

EM

LC

EC

FE

CL

MT

AT

TF

PD

FA

RA

BR

ST

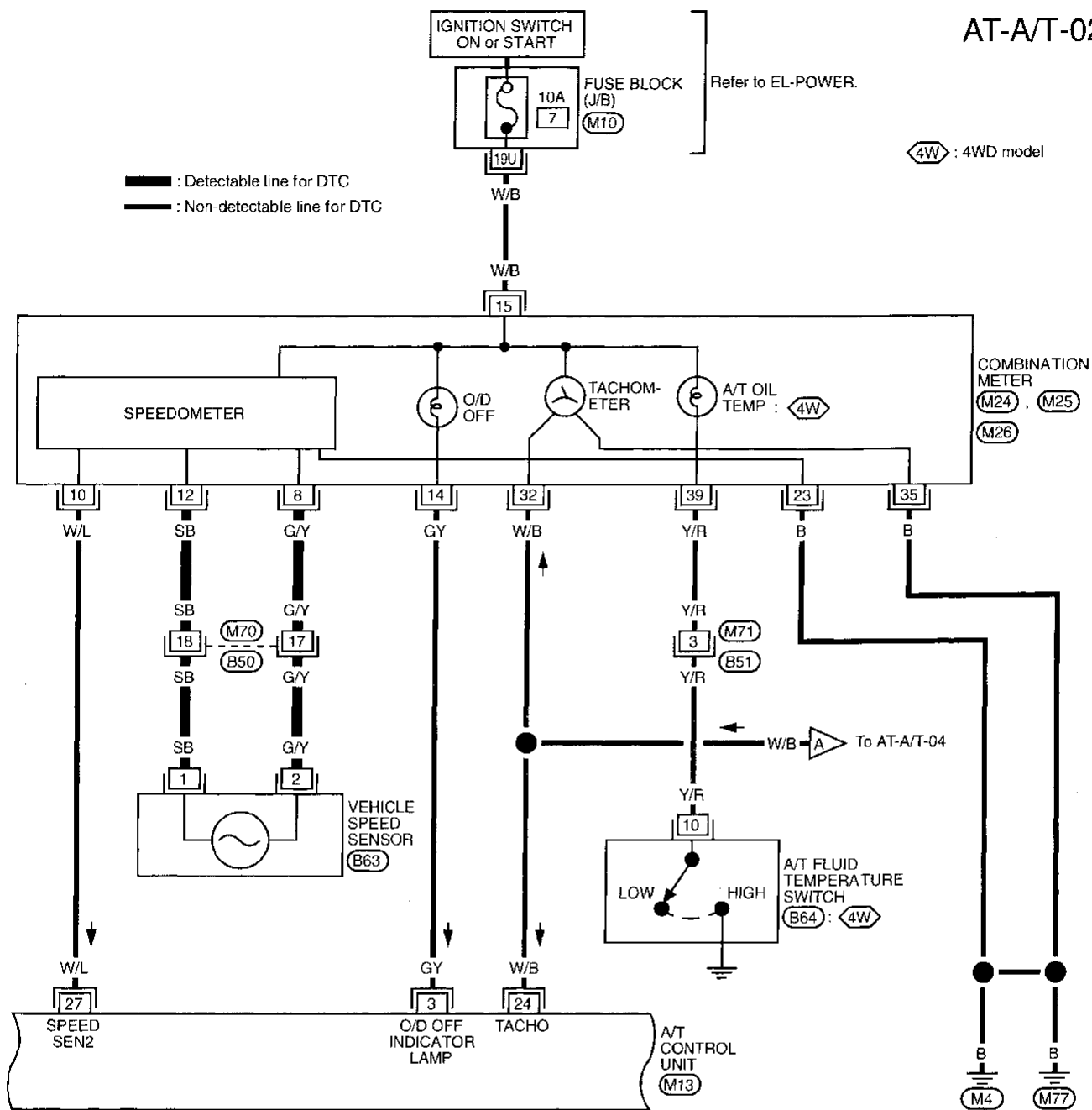
RS

BT

HA

EL

IDX



Refer to last page (Foldout page).

(M10)

(M13)

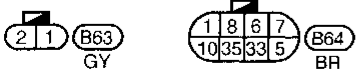
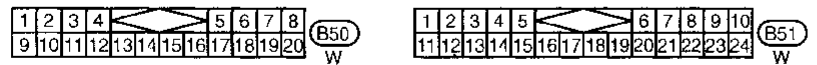
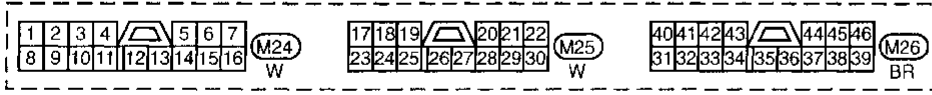
RS

BT

HA

EL

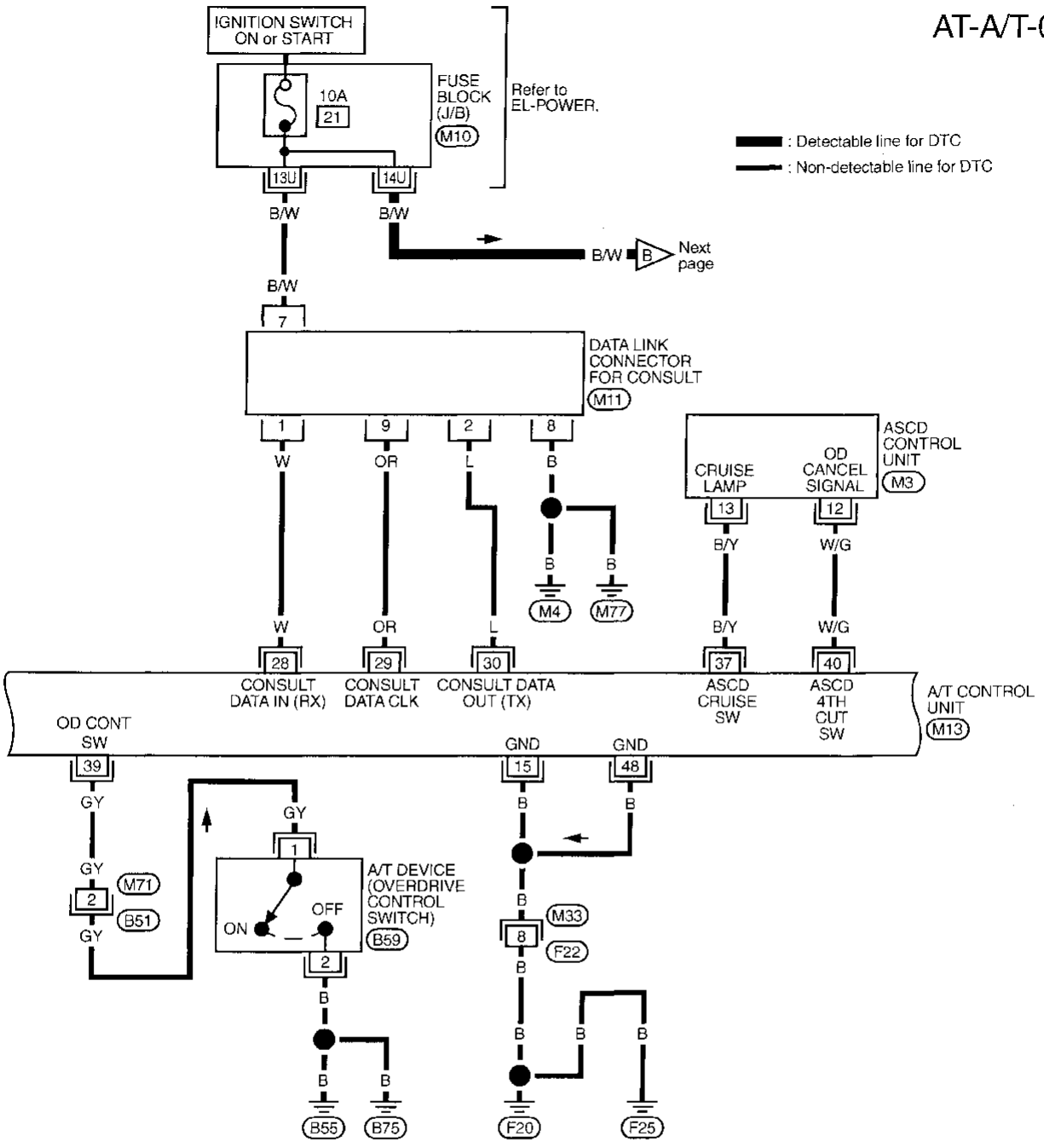
IDX



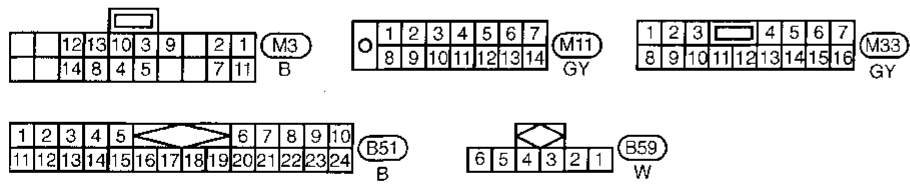
OVERALL SYSTEM

Wiring Diagram — AT — (Cont'd)

AT-A/T-03



— : Detectable line for DTC
- - - : Non-detectable line for DTC



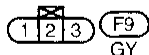
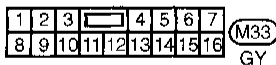
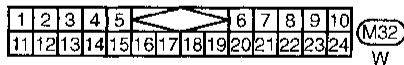
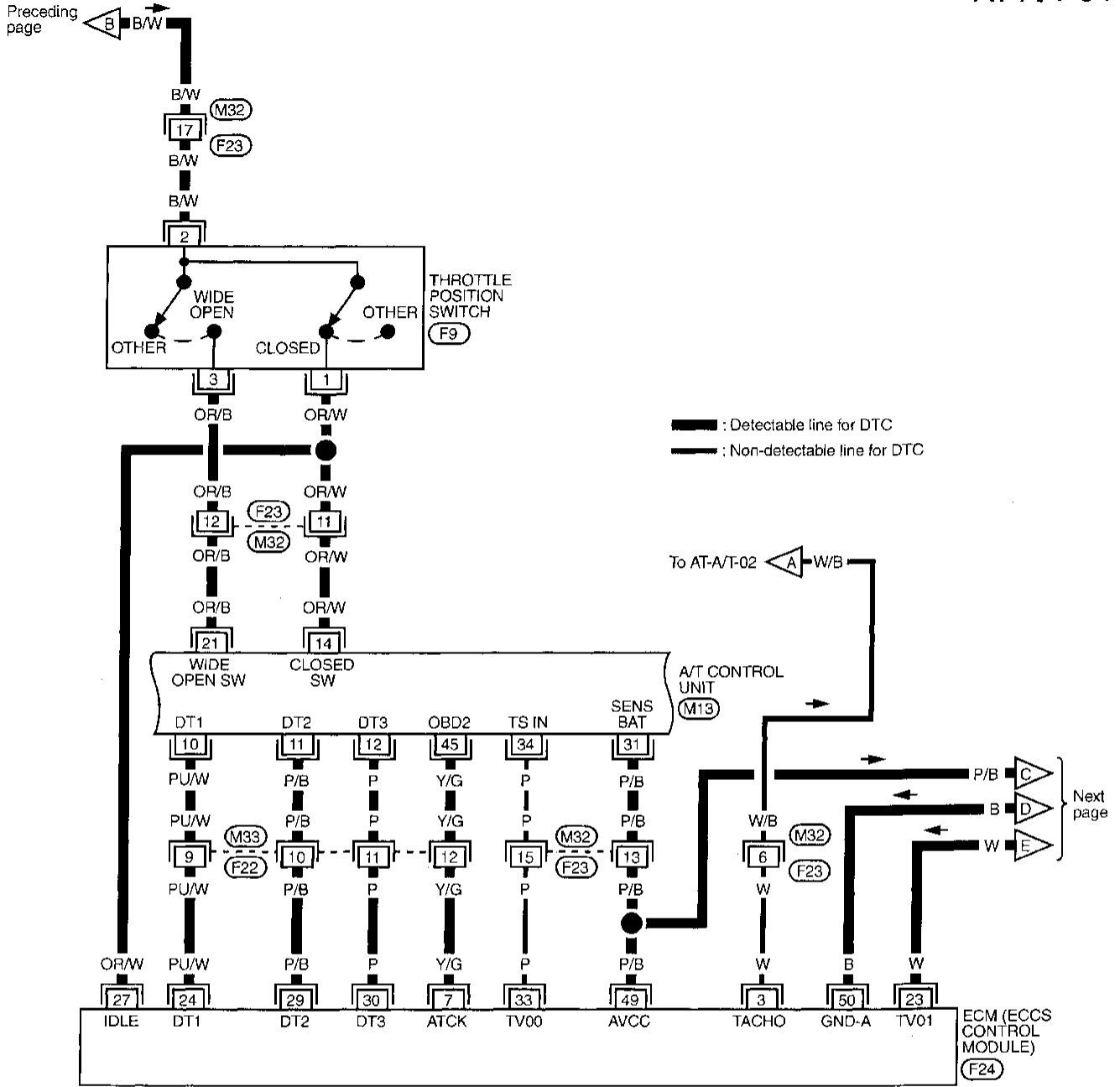
Refer to last page (Foldout page).

M10
M13

OVERALL SYSTEM

Wiring Diagram — AT — (Cont'd)

AT-A/T-04



Refer to last page (Foldout page).



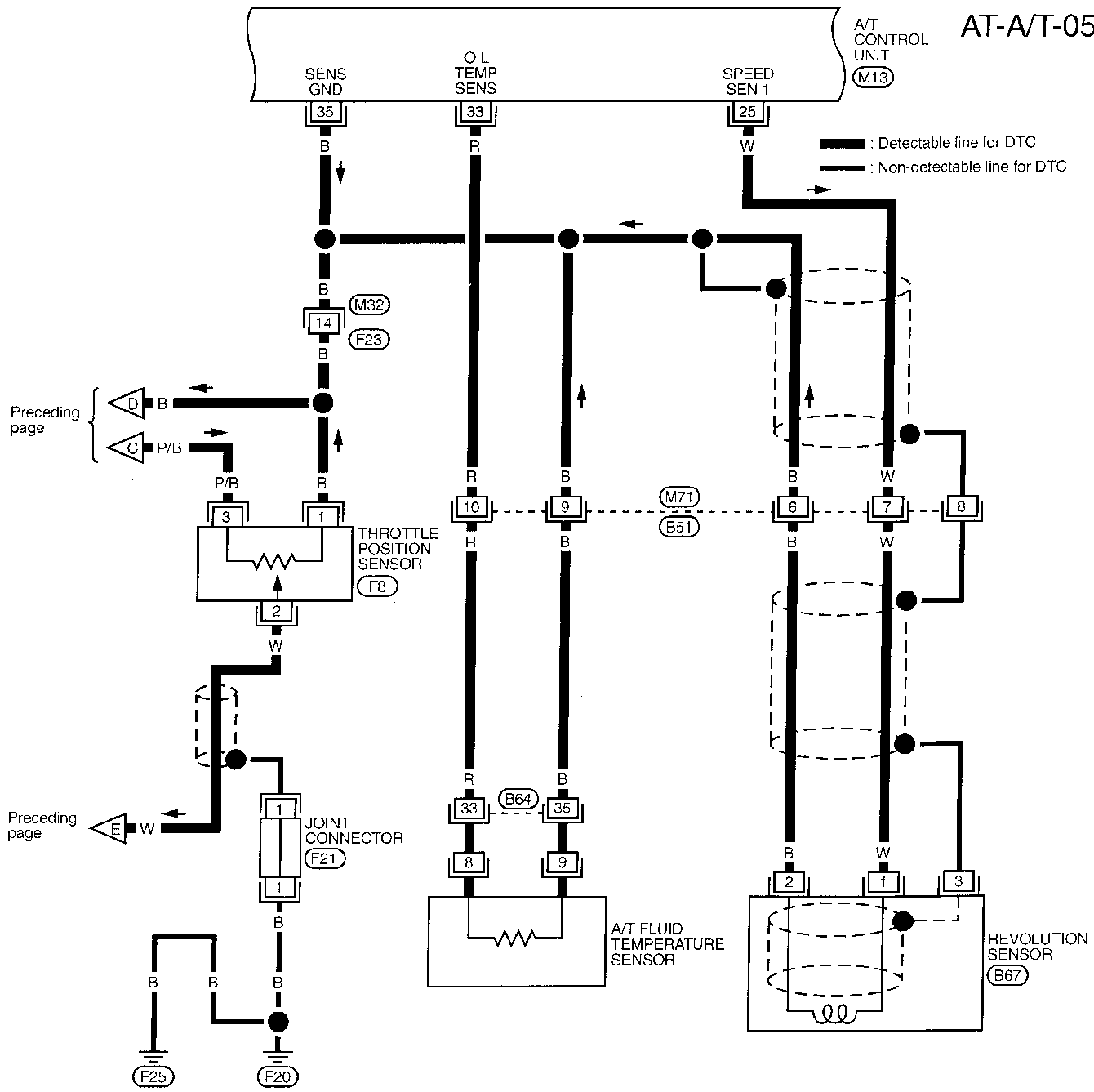
- GI
- MA
- EM
- LC
- EC
- FE
- CL
- MT
- AT**
- TF
- PD
- FA
- RA
- BR
- ST
- RS
- BT
- FA
- EL
- IDX

OVERALL SYSTEM

Wiring Diagram — AT — (Cont'd)

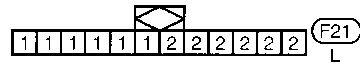
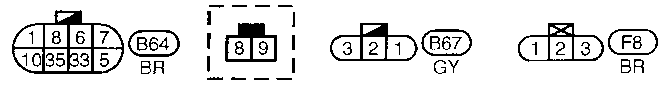
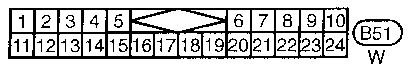
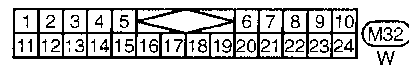
AT-A/T-05

AT CONTROL UNIT (M13)



Preceding page

Preceding page



Refer to last page (Foldout page).

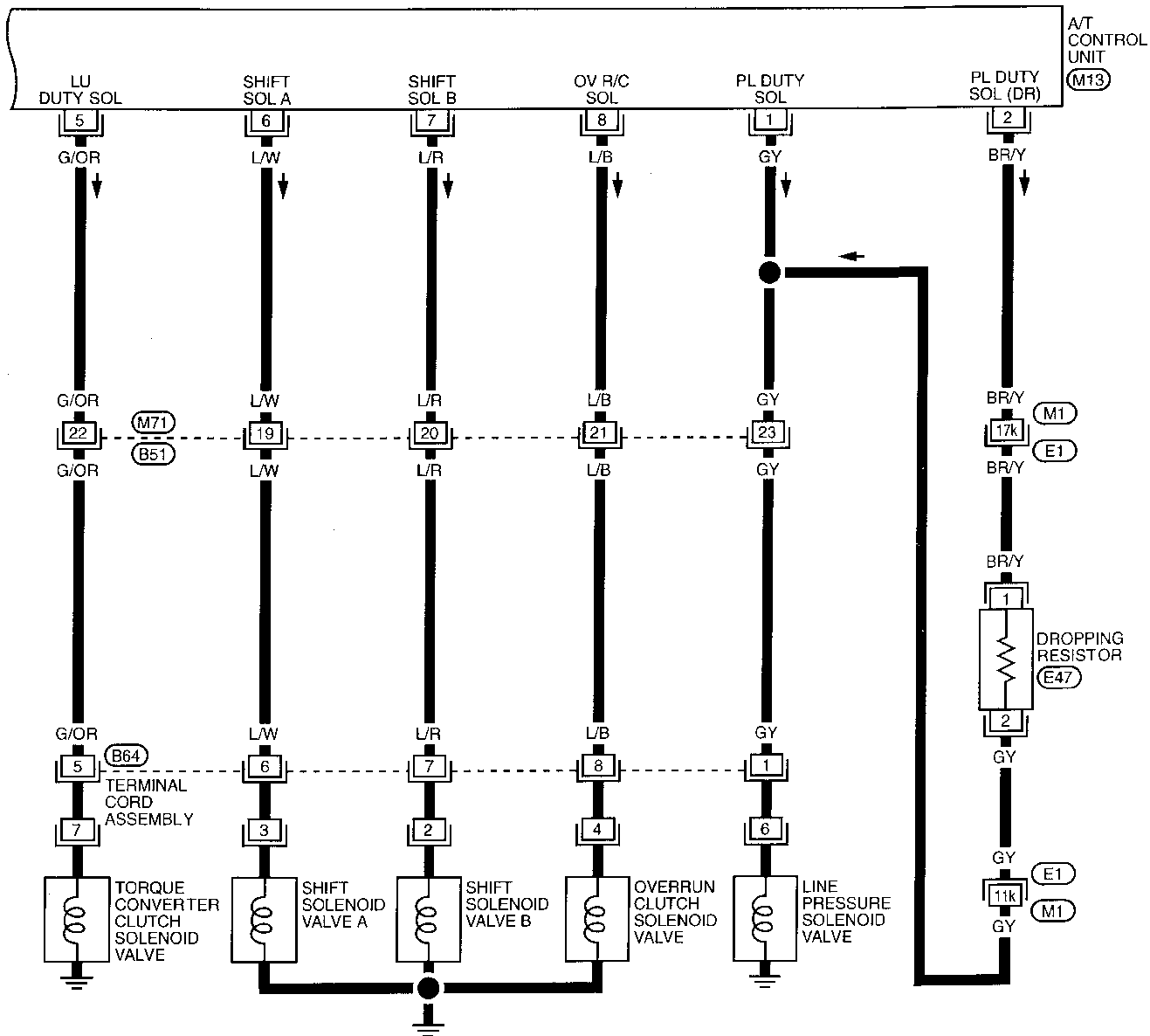
(M13)

OVERALL SYSTEM

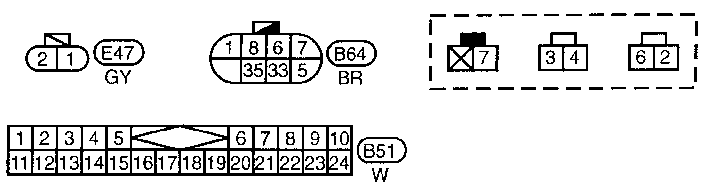
Wiring Diagram — AT — (Cont'd)

AT-A/T-06

: Detectable line for DTC
 : Non-detectable line for DTC



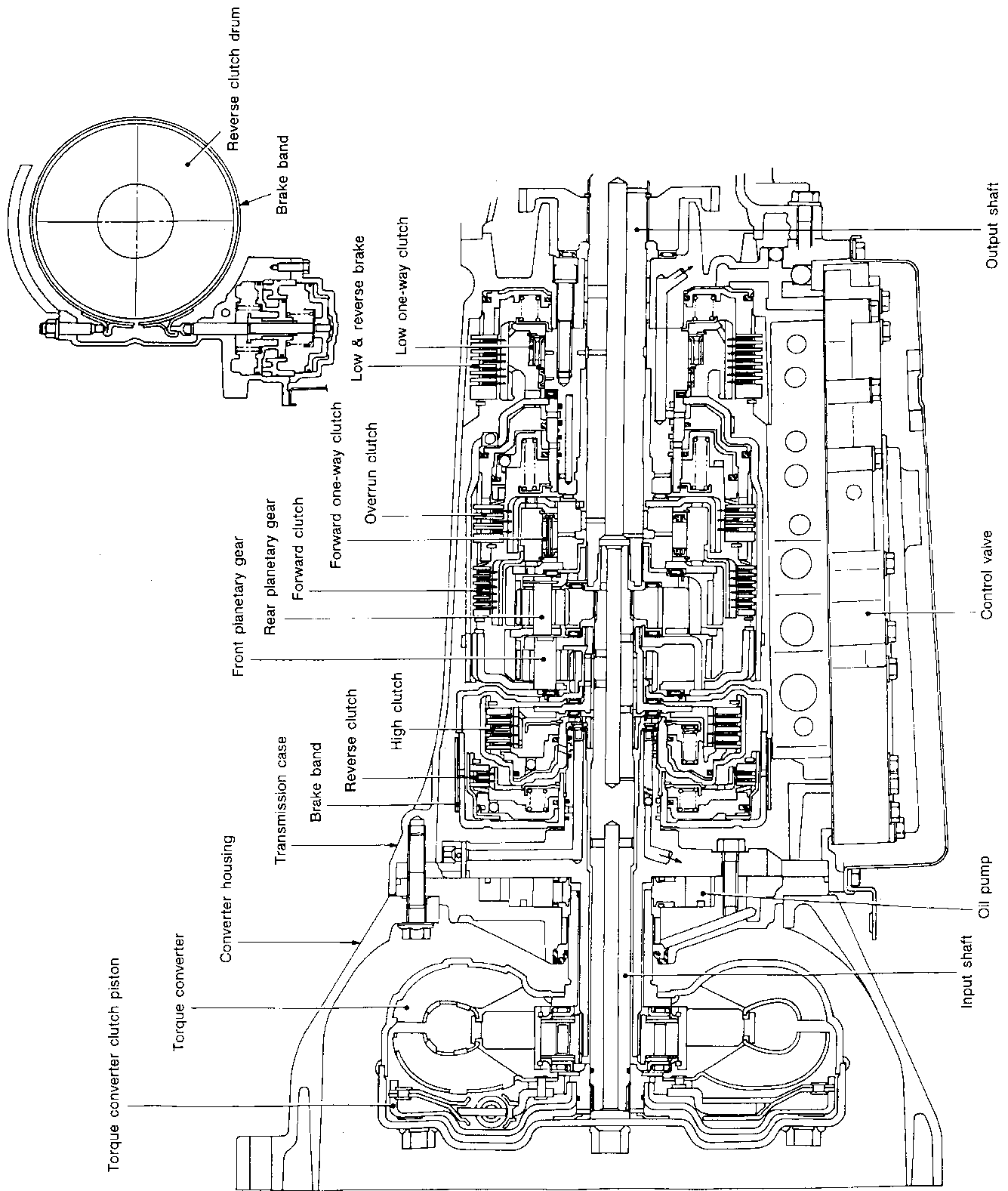
CI
 MA
 EM
 LC
 EC
 FE
 CL
 MT
AT
 TF
 PD
 FA
 RA
 BR
 ST
 RS
 BT
 HA
 EL
 BX



Refer to last page (Foldout page).
 (E1), (M1)
 (M13)

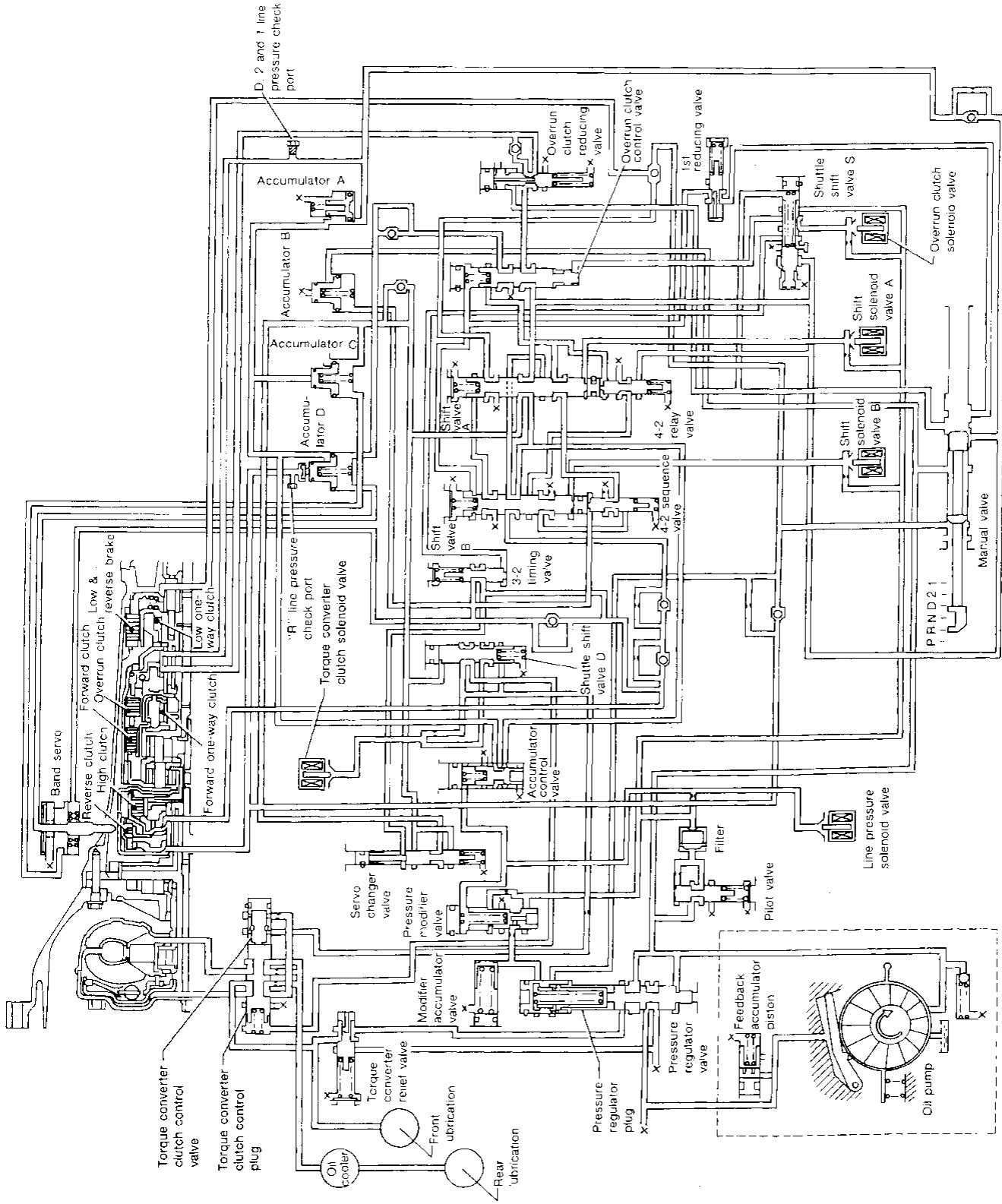
OVERALL SYSTEM

Cross-sectional View



OVERALL SYSTEM

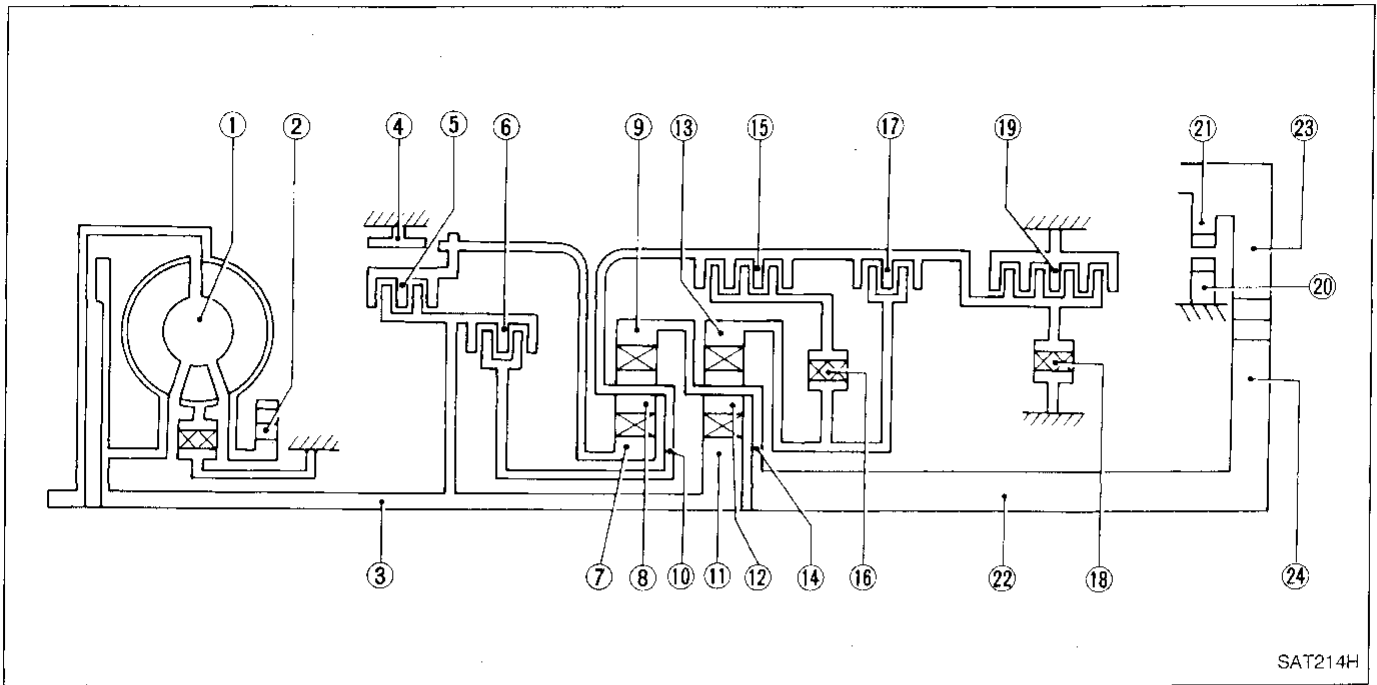
Hydraulic Control Circuit



- CI
- MA
- EM
- LC
- EC
- TE
- CL
- MT
- AT**
- TF
- PD
- FA
- RA
- BR
- ST
- ES
- BT
- HA
- EL
- IDX

OVERALL SYSTEM

Shift Mechanism CONSTRUCTION



SAT214H

- | | | |
|---------------------|---------------------------|-----------------------|
| ① Torque converter | ⑨ Front internal gear | ⑰ Overrun clutch |
| ② Oil pump | ⑩ Front planetary carrier | ⑱ Low one-way clutch |
| ③ Input shaft | ⑪ Rear sun gear | ⑲ Low & reverse brake |
| ④ Brake band | ⑫ Rear pinion gear | ⑳ Parking pawl |
| ⑤ Reverse clutch | ⑬ Rear internal gear | ㉑ Parking gear |
| ⑥ High clutch | ⑭ Rear planetary carrier | ㉒ Output shaft |
| ⑦ Front sun gear | ⑮ Forward clutch | ㉓ Idle gear |
| ⑧ Front pinion gear | ⑯ Forward one-way clutch | ㉔ Output gear |

FUNCTION OF CLUTCH AND BRAKE

Clutch and brake components	Abbr.	Function
⑤ Reverse clutch	R/C	To transmit input power to front sun gear ⑪.
⑥ High clutch	H/C	To transmit input power to front planetary carrier ⑩.
⑮ Forward clutch	F/C	To connect front planetary carrier ⑩ with forward one-way clutch ⑯.
⑰ Overrun clutch	O/C	To connect front planetary carrier ⑩ with rear internal gear ⑬.
④ Brake band	B/B	To lock front sun gear ⑦.
⑯ Forward one-way clutch	F/O.C	When forward clutch ⑮ is engaged, to stop rear internal gear ⑬ from rotating in opposite direction against engine revolution.
⑱ Low one-way clutch	L/O.C	To stop front planetary carrier ⑩ from rotating in opposite direction against engine revolution.
⑲ Low & reverse brake	L & R/B	To lock front planetary carrier ⑩.

OVERALL SYSTEM

Shift Mechanism (Cont'd)

OPERATION OF CLUTCH AND BRAKE

Shift position	Reverse clutch	High clutch	Forward clutch	Overrun clutch	Band servo			Forward one-way clutch	Low one-way clutch	Low & reverse brake	Lock-up	Remarks
					2nd apply	3rd release	4th apply					
P												PARK POSITION
R	○									○		REVERSE POSITION
N												NEUTRAL POSITION
D*4	1st		○	*1⊗				●	●			Automatic shift 1 ↔ 2 ↔ 3 ↔ 4
	2nd		○	*1⊙	○			●				
	3rd		○	○	*1⊙	*2⊗	⊗	●			*5○	
	4th		○	⊗		*3⊗	⊗	○			○	
2	1st		○	⊗				●	●			Automatic shift 1 ↔ 2 ↔ 3
	2nd		○	⊙	○			●				
1	1st		○	○				●		○		Locks (held stationary) in 1st speed 1 ← 2 ← 3
	2nd		○	○	○			●				

*1: Operates when overdrive control switch is being set in "OFF" position.

*2: Oil pressure is applied to both 2nd "apply" side and 3rd "release" side of band servo piston. However, brake band does not contract because oil pressure area on the "release" side is greater than that on the "apply" side.

*3: Oil pressure is applied to 4th "apply" side in condition *2 above, and brake band contracts.

*4: A/T will not shift to 4th when overdrive control switch is set in "OFF" position.

*5: Operates when overdrive control switch is "OFF".

○ : Operates

⊙ : Operates when throttle opening is less than 1/16, activating engine brake.

● : Operates during "progressive" acceleration.

⊗ : Operates but does not affect power transmission.

⊙⊗ : Operates when throttle opening is less than 1/16, but does not affect engine brake.

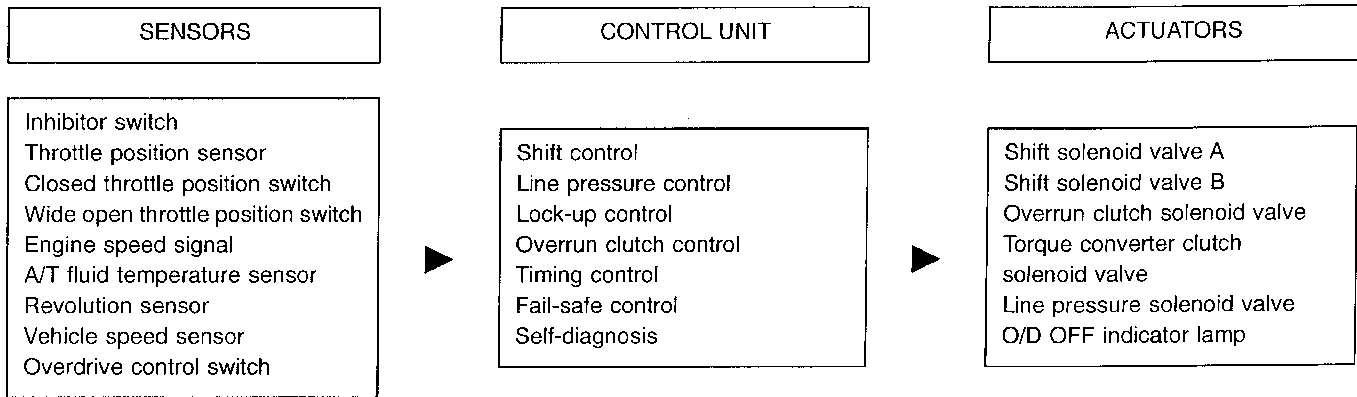
CI
MA
EM
LC
EC
FE
CL
MT
AT
TF
PD
FA
RA
BR
ST
RS
BT
FA
EL
IDX

OVERALL SYSTEM

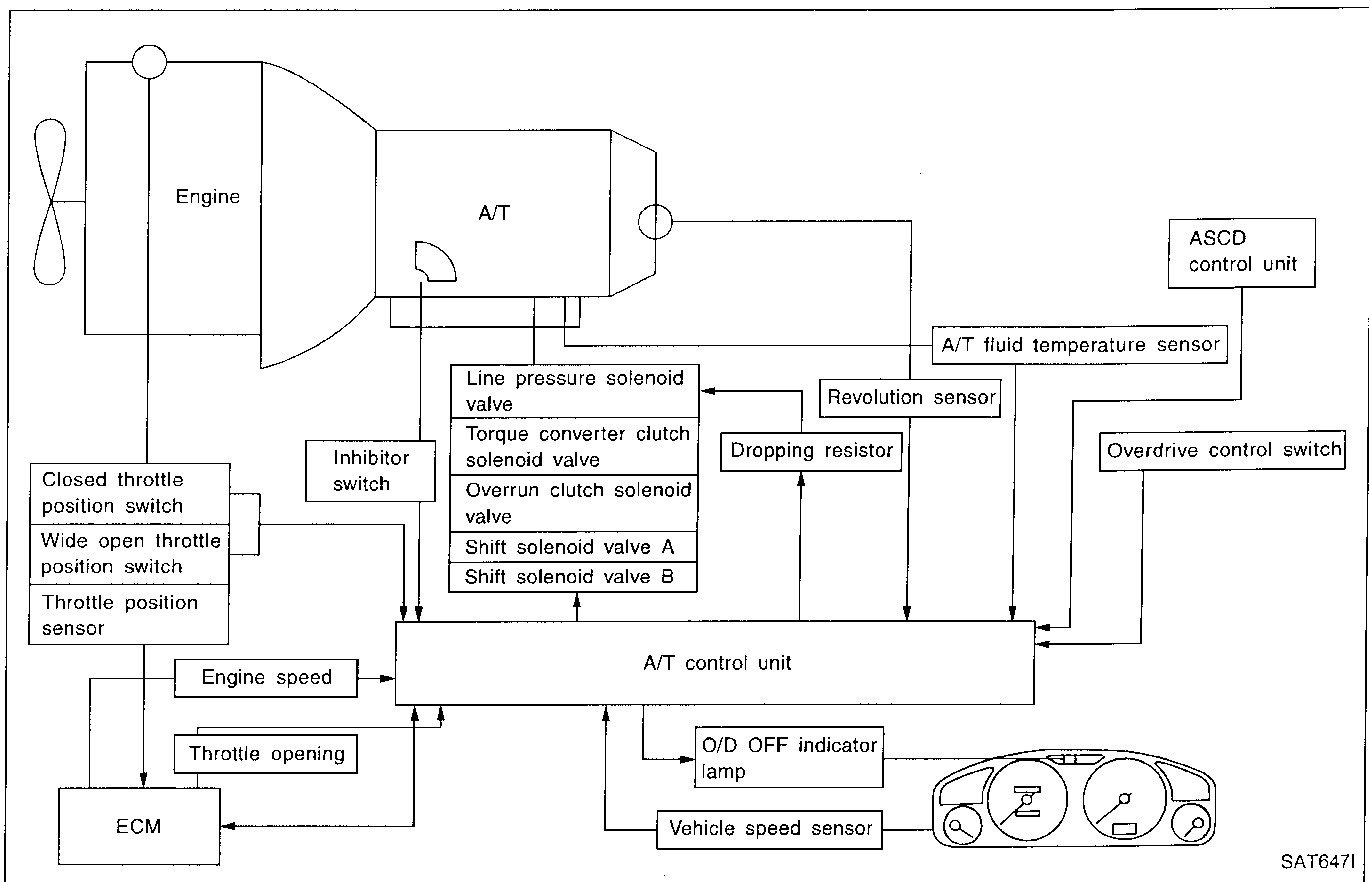
Control System

OUTLINE

The RE4R01A automatic transmission senses vehicle operating conditions through various sensors. It always controls the optimum shaft position and reduces shifting and lock-up shocks.



CONTROL SYSTEM



SAT647I

OVERALL SYSTEM

Control System (Cont'd)

A/T CONTROL UNIT FUNCTION

The function of the A/T control unit is to:

- Receive input signals sent from various switches and sensors.
- Determine required line pressure, shifting point, lock-up operation, and engine brake operation.
- Send required output signals to the respective solenoids.

INPUT/OUTPUT SIGNAL OF A/T CONTROL UNIT

	Sensors and solenoid valves	Function	
Input	Inhibitor switch	Detects select lever position and sends a signal to A/T control unit.	CI
	Throttle position sensor	Detects throttle valve position and sends a signal to A/T control unit.	MA
	Closed throttle position switch	Detects throttle valve's fully-closed position and sends a signal to A/T control unit.	EM
	Wide open throttle position switch	Detects a throttle valve position of greater than 1/2 of full throttle and sends a signal to A/T control unit.	LC
	Engine speed signal	From ECM (ECCS control module).	EC
	A/T fluid temperature sensor	Detects transmission fluid temperature and sends a signal to A/T control unit.	FE
	Revolution sensor	Detects output shaft rpm and sends a signal to A/T control unit.	CL
	Vehicle speed sensor	Used as an auxiliary vehicle speed sensor. Sends a signal when revolution sensor (installed on transmission) malfunctions.	MT
Output	Overdrive control switch	Sends a signal, which prohibits a shift to "D ₄ " (overdrive) position, to the A/T control unit.	AT
	Shift solenoid valve A/B	Selects shifting point suited to driving conditions in relation to a signal sent from A/T control unit.	TF
	Line pressure solenoid valve	Regulates (or decreases) line pressure suited to driving conditions in relation to a signal sent from A/T control unit.	PD
	Torque converter clutch solenoid valve	Regulates (or decreases) lock-up pressure suited to driving conditions in relation to a signal sent from A/T control unit.	FA
	Overrun clutch solenoid valve	Controls an "engine brake" effect suited to driving conditions in relation to a signal sent from A/T control unit.	FA
	O/D OFF indicator lamp	Shows A/T control unit faults, when A/T control components malfunction.	

BA
BR
ST
RS
BT
HA
EL
IDX

ON BOARD DIAGNOSTIC SYSTEM DESCRIPTION

Introduction

The ECM (ECCS control module) provides two functions for the A/T system. One function is to receive a signal from the A/T control unit used with OBD-related parts of the A/T system. The signal is sent to the ECM when a malfunction occurs in the corresponding OBD-related part. The other function is to indicate a diagnostic result by means of the MIL (malfunction indicator lamp) on the instrument panel. Sensors, switches and solenoid valves are used as sensing elements.

The MIL automatically illuminates in One or Two Trip Detection Logic when a malfunction is sensed in relation to A/T system parts.

One or Two Trip Detection Logic

ONE TRIP DETECTION LOGIC

If a malfunction is sensed during the first test drive, the MIL will illuminate and the malfunction will be stored in the ECM memory as a DTC. The A/T control unit is not provided with such a memory function.

TWO TRIP DETECTION LOGIC

When a malfunction is sensed during the first test drive, it is stored in the ECM memory as a 1st trip DTC (diagnostic trouble code) or 1st trip freeze frame data. At this point, the MIL will not illuminate. — First Trip
If the same malfunction as that experienced during the first test drive is sensed during the second test drive, the MIL will illuminate. — Second Trip

A/T-related parts for which the MIL illuminates during the first or second test drive are listed below.

Items	MIL	
	One trip detection	Two trip detection
Shift solenoid valve A — DTC: P0750 (1108)	X	
Shift solenoid valve B — DTC: P0755 (1201)	X	
Throttle position sensor or switch — DTC: P1705 (1206)	X	
Except above		X

The “trip” in the “One or Two Trip Detection Logic” means a driving mode in which self-diagnosis is performed during vehicle operation.

Diagnostic Trouble Code (DTC)

HOW TO READ DTC

The diagnostic trouble code can be read by the following methods.


(Either code for the 1st trip or the 2nd trip can be read.)

1. The number of blinks of the malfunction indicator lamp in the Diagnostic Test Mode II (Self-Diagnostic Results) Examples: 1101, 1102, 1103, 1104, etc.

These DTCs are controlled by NISSAN.

2. CONSULT or GST (Generic Scan Tool) Examples: P0705, P0710, P0720, P0725, etc.

 These DTCs are prescribed by SAE J2012. (CONSULT also displays the malfunctioning component or system.)

-  **Output of a DTC indicates a malfunction. However, Mode II and GST do not indicate whether the malfunction is still occurring or has occurred in the past and has returned to normal. CONSULT can identify them. Therefore, using CONSULT (if available) is recommended.**

HOW TO ERASE DTC

The diagnostic trouble code can be erased by CONSULT, GST or ECM DIAGNOSTIC TEST MODE as described following.

- **If the battery terminal is disconnected, the diagnostic trouble code will be lost within 24 hours.**
- **When you erase the DTC, using CONSULT or GST is easier and quicker than switching the mode selector on the ECM.**

The following emission-related diagnostic information is cleared from the ECM memory when erasing DTC related to OBD-II. For details, refer to EC section “Emission-related Diagnostic Information”, “ON BOARD DIAGNOSTIC SYSTEM DESCRIPTION”.

- Diagnostic trouble codes (DTC)
- 1st trip diagnostic trouble codes (1st trip DTC)
- Freeze frame data
- 1st trip freeze frame data
- System readiness test (SRT) codes
- Test values

ON BOARD DIAGNOSTIC SYSTEM DESCRIPTION

Diagnostic Trouble Code (DTC) (Cont'd)



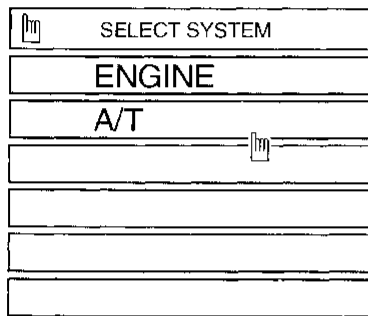
HOW TO ERASE DTC (With CONSULT)

- If a DTC is displayed for both ECM and A/T control unit, it needs to be erased for both ECM and A/T control unit.
 - If diagnostic trouble code is not for A/T related items (Refer to AT-46), skip steps 2 through 4.
1. If the ignition switch stays "ON" after repair work, be sure to turn ignition switch "OFF" once. Wait for at least 5 seconds and then turn it "ON" (engine stopped) again.
 2. Turn CONSULT "ON" and touch "A/T".
 3. Touch "SELF-DIAG RESULTS".
 4. Touch "ERASE". (The DTC in the A/T control unit will be erased.) Then touch "BACK" twice.
 5. Touch "ENGINE".
 6. Touch "SELF-DIAG RESULTS".
 7. Touch "ERASE". (The DTC in the ECM will be erased.)

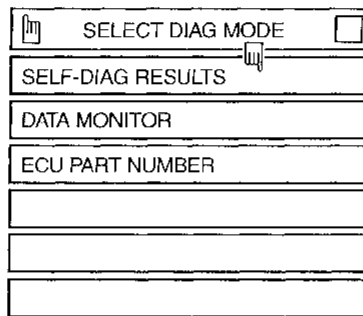
GI
MA
EM
LC
EC
FE
CL
MT
AT

How to erase DTC (With CONSULT)

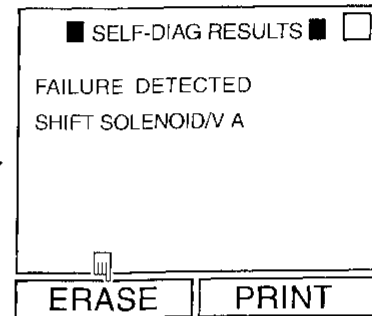
1. If the ignition switch stays "ON" after repair work, be sure to turn ignition switch "OFF" once. Wait at least 5 seconds and then turn it "ON" (engine stopped) again.



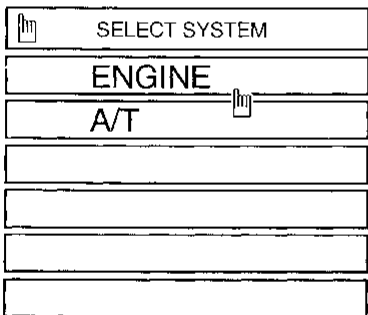
2. Turn CONSULT "ON", and touch "A/T".



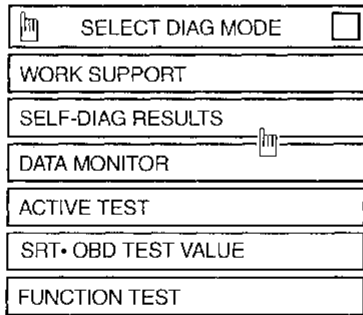
3. Touch "SELF-DIAG RESULTS".



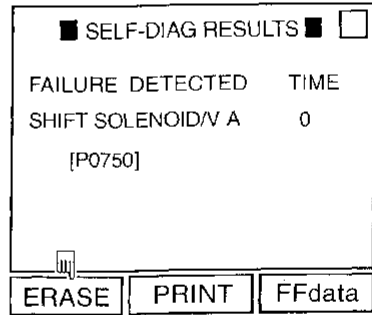
4. Touch "ERASE". (The DTC in the A/T control unit will be erased.)



5. Touch "ENGINE".



6. Touch "SELF-DIAG RESULTS".



7. Touch "ERASE". (The DTC in the ECM will be erased.)

SEF372S

TF
PD
FA
RA
BR
ST



HOW TO ERASE DTC (With GST)

1. If the ignition switch stays "ON" after repair work, be sure to turn ignition switch "OFF" once. Wait for at least 5 seconds and then turn it "ON" (engine stopped) again.
2. Perform "SELF-DIAGNOSTIC PROCEDURE (No Tools)". Refer to AT-23. (The engine warm-up step can be skipped when performing the diagnosis only to erase the DTC.)
3. Select Mode 4 with Generic Scan Tool (GST). For details, refer to EC section ("Generic Scan Tool (GST)", "ON BOARD DIAGNOSTIC SYSTEM DESCRIPTION").

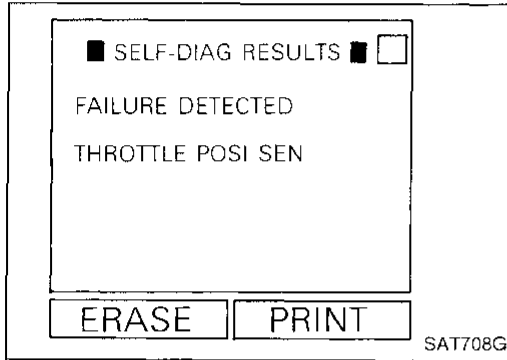
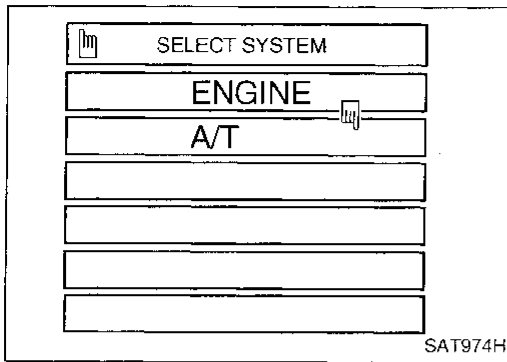


HOW TO ERASE DTC (No Tools)

1. If the ignition switch stays "ON" after repair work, be sure to turn ignition switch "OFF" once. Wait for at least 5 seconds and then turn it "ON" (engine stopped) again.
2. Perform "SELF-DIAGNOSTIC PROCEDURE (No Tools)". Refer to AT-23. (The engine warm-up step can be skipped when performing the diagnosis only to erase the DTC.)
3. Change the diagnostic test mode from Mode II to Mode I by turning the mode selector on the ECM. Refer to EC section ["HOW TO SWITCH DIAGNOSTIC TEST MODES", "Malfunction Indicator Lamp (MIL)", "ON BOARD DIAGNOSTIC SYSTEM DESCRIPTION"].

RS
BT
HA
EL
IDX

ON BOARD DIAGNOSTIC SYSTEM DESCRIPTION



Self-diagnosis

After performing this procedure, place check marks for results on the "DIAGNOSTIC WORKSHEET", AT-32. Reference pages are provided following the items.

SELF-DIAGNOSTIC PROCEDURE (With CONSULT)

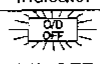
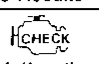
1. Turn on CONSULT and touch "A/T".
If A/T is not displayed, check A/T control unit power supply and ground circuit. Refer to AT-51. If result is NG, refer to EL section ("POWER SUPPLY ROUTING").

2. Touch "SELF-DIAG RESULTS".
Display shows malfunction experienced since the last erasing operation.
CONSULT performs REAL-TIME SELF-DIAGNOSIS.
Also, any malfunction detected while in this mode will be displayed at real time.

Detected items (Screen terms for CONSULT, "SELF-DIAG RESULTS" test mode)	Malfunction is detected when ...	Indicator for Diagnostic Results	
		 O/D OFF indicator lamp (Available when "A/T" on CONSULT is touched.)	 Malfunction indicator lamp*2 (Available when "ENGINE" on CON- SULT is touched.)
Inhibitor switch circuit (INHIBITOR SWITCH)	● A/T control unit does not receive the correct voltage signal (based on the gear position) from the switch.	—	X
Revolution sensor (VHCL SPEED SEN-A/T)	● A/T control unit does not receive the proper voltage signal from the sensor.	X	X
Vehicle speed sensor (Meter) (VHCL SPEED SEN-MTR)	● A/T control unit does not receive the proper voltage signal from the sensor.	X	—
Improper shifting to 1st gear position (A/T 1ST SIGNAL)	● A/T cannot be shifted to the 1st gear position even if electrical circuit is good.	—	X*1
Improper shifting to 2nd gear position (A/T 2ND SIGNAL)	● A/T cannot be shifted to the 2nd gear position even if electrical circuit is good.	—	X*1
Improper shifting to 3rd gear position (A/T 3RD SIGNAL)	● A/T cannot be shifted to the 3rd gear position even if electrical circuit is good.	—	X*1
Improper shifting to 4th gear position (A/T 4TH SIG OR TCC)	● A/T cannot be shifted to the 4th gear position even if electrical circuit is good.	—	X*1
Improper lock-up operation (A/T TCC SIGNAL)	● A/T cannot perform lock-up even if electrical circuit is good.	—	X*1
Shift solenoid valve A (SHIFT SOLENOID/V A)	● A/T control unit detects an improper voltage drop when it tries to operate the solenoid valve.	X	X
Shift solenoid valve B (SHIFT SOLENOID/V B)	● A/T control unit detects an improper voltage drop when it tries to operate the solenoid valve.	X	X
Overrun clutch solenoid valve (OVERRUN CLUTCH S/V)	● A/T control unit detects an improper voltage drop when it tries to operate the solenoid valve.	X	X
T/C clutch solenoid valve (TOR CONV CLUTCH SV)	● A/T control unit detects an improper voltage drop when it tries to operate the solenoid valve.	X	X
Line pressure solenoid valve (LINE PRESSURE S/V)	● A/T control unit detects an improper voltage drop when it tries to operate the solenoid valve.	X	X
Throttle position sensor Throttle position switch (THRTL POSI SEN-A/T)	● A/T control unit receives an excessively low or high voltage from the sensor.	X	X
Engine speed signal (ENGINE SPEED SIG)	● A/T control unit does not receive the proper voltage signal from the ECM.	X	X


ON BOARD DIAGNOSTIC SYSTEM DESCRIPTION

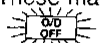
Self-diagnosis (Cont'd)

Detected items (Screen terms for CONSULT, "SELF-DIAG RESULTS" test mode)	Malfunction is detected when ...	Indicator for Diagnostic Results	
		 O/D OFF indicator lamp (Available when "A/T" on CONSULT is touched.)	 Malfunction indicator lamp*2 (Available when "ENGINE" on CONSULT is touched.)
A/T fluid temperature sensor (A/T FLUID TEMP SENSOR)	<ul style="list-style-type: none"> A/T control unit receives an excessively low or high voltage from the sensor. 	X	X
Initial start INITIAL START	<ul style="list-style-type: none"> This is not a malfunction message (Whenever shutting off a power supply to the control unit, this message appears on the screen.) 	X	—
No failure (NO SELF DIAGNOSTIC FAILURE INDICATED FURTHER TESTING MAY BE REQUIRED**)	<ul style="list-style-type: none"> No failure has been detected. 	X	X

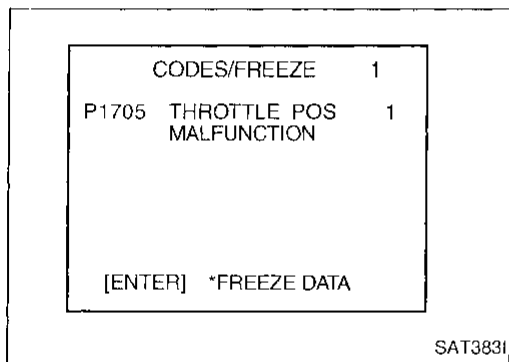
X : Applicable

— : Not applicable

*1 : These malfunctions can not be displayed by MIL  if another malfunction is assigned to the O/D OFF indicator lamp

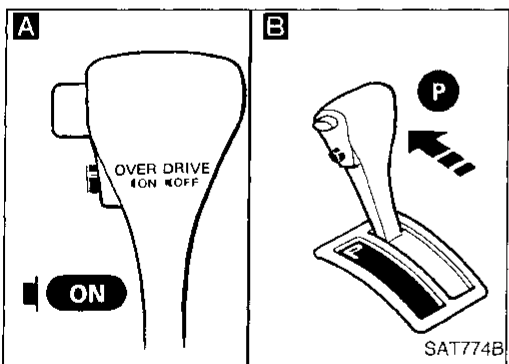


*2 : Refer to EC section ["Malfunction Indicator Lamp (MIL)", "ON BOARD DIAGNOSTIC SYSTEM DESCRIPTION"].

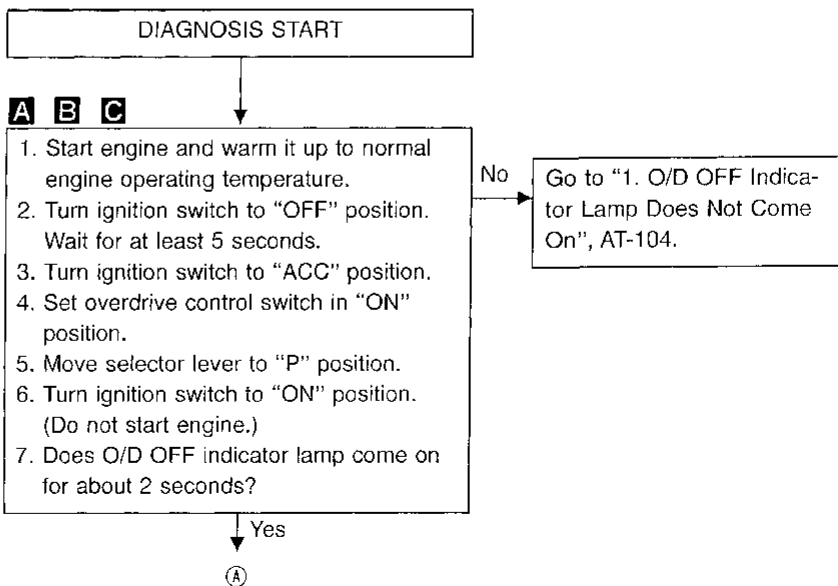
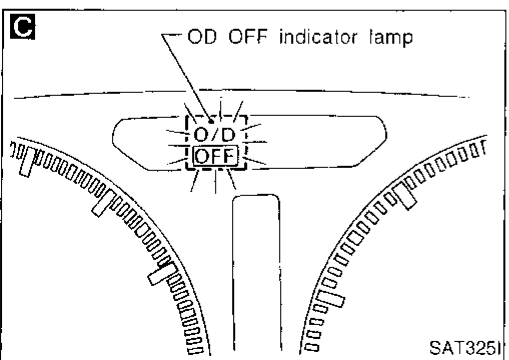


SELF-DIAGNOSTIC PROCEDURE (With GST)

Refer to EC section ["Generic Scan Tool (GST)", "ON BOARD DIAGNOSTIC SYSTEM DESCRIPTION"].

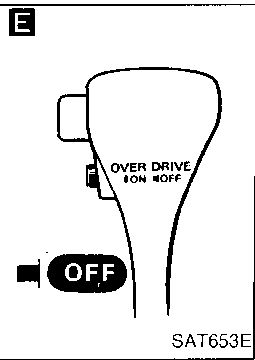
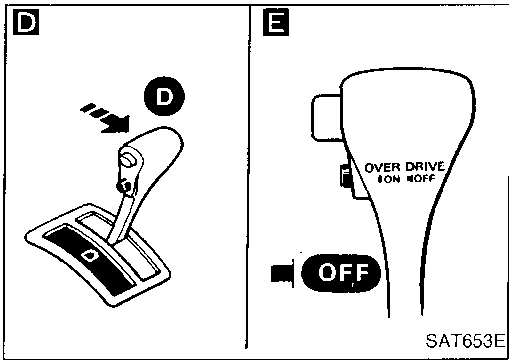


SELF-DIAGNOSTIC PROCEDURE (No Tools)

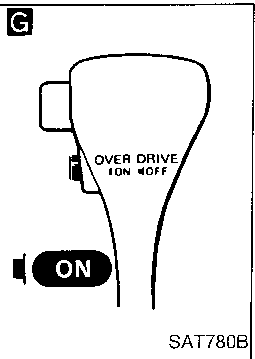
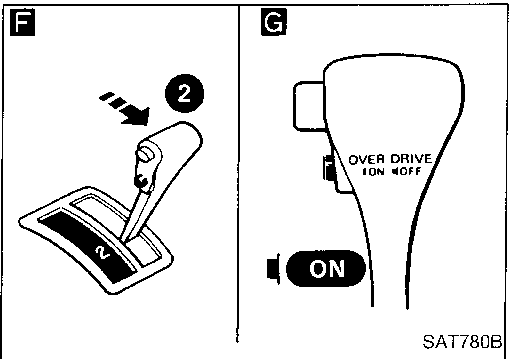


ON BOARD DIAGNOSTIC SYSTEM DESCRIPTION

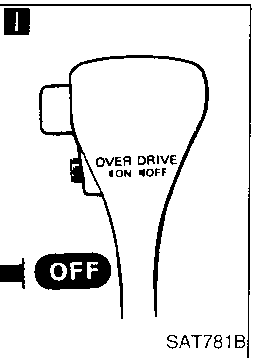
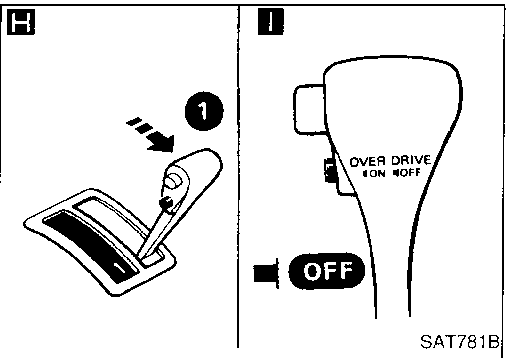
Self-diagnosis (Cont'd)



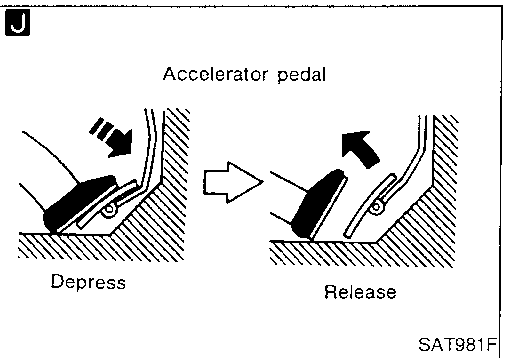
SAT653E



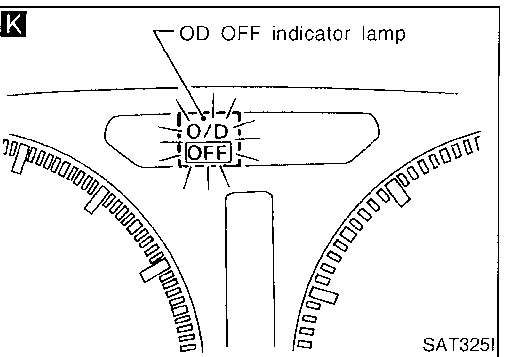
SAT780B



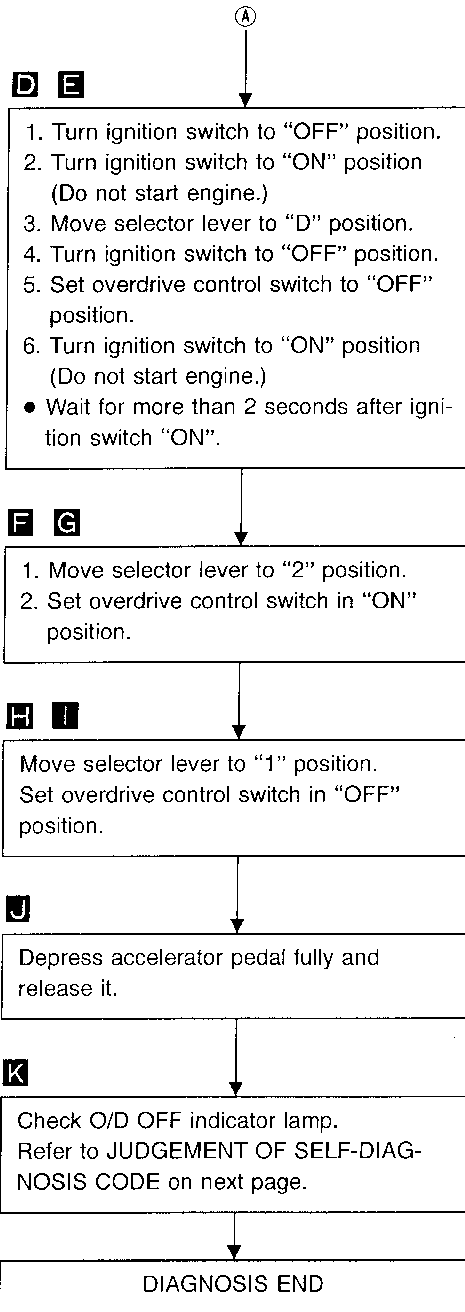
SAT781B



SAT981F



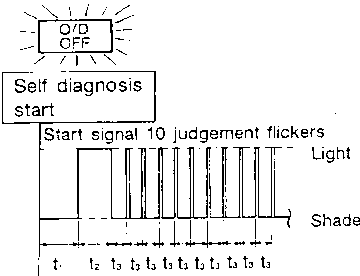
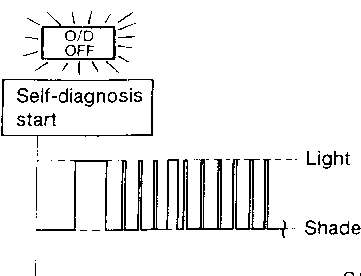
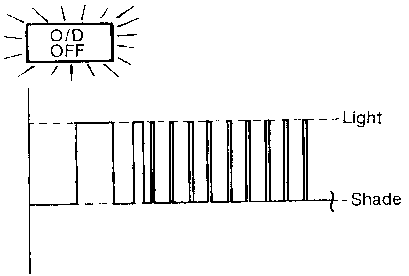
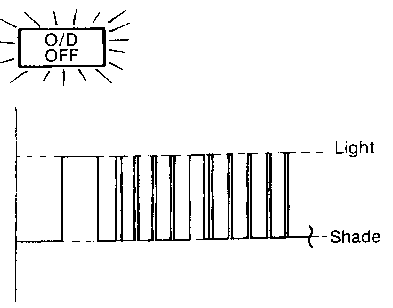
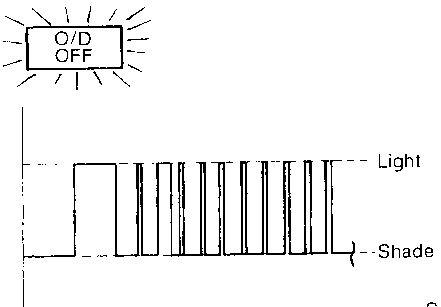
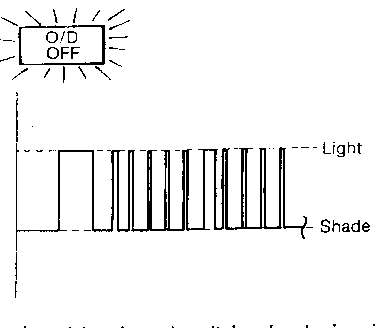
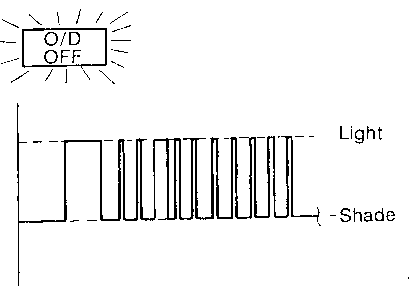
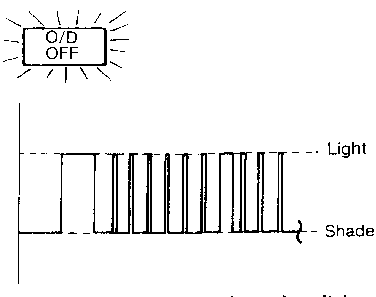
SAT325I



ON BOARD DIAGNOSTIC SYSTEM DESCRIPTION

Self-diagnosis (Cont'd)

JUDGEMENT OF SELF-DIAGNOSIS CODE

O/D OFF indicator lamp:	
<p>All judgement flickers are same.</p>  <p style="text-align: right;">SAT436F</p>	<p>4th judgement flicker is longer than others.</p>  <p style="text-align: right;">SAT443F</p>
<p>All circuits that can be confirmed by self-diagnosis are OK.</p>	<p>Shift solenoid valve A circuit is short-circuited or disconnected. ➔ Go to SHIFT SOLENOID VALVE A (DTC: 1108), AT-91.</p>
<p>1st judgement flicker is longer than others.</p>  <p style="text-align: right;">SAT437F</p>	<p>5th judgement flicker is longer than others.</p>  <p style="text-align: right;">SAT445F</p>
<p>Revolution sensor circuit is short-circuited or disconnected. ➔ Go to VEHICLE SPEED SENSOR-A/T (REVOLUTION SENSOR) (DTC: 1102), AT-64.</p>	<p>Shift solenoid valve B circuit is short-circuited or disconnected. ➔ Go to SHIFT SOLENOID VALVE B (DTC: 1201), AT-94.</p>
<p>2nd judgement flicker is longer than others.</p>  <p style="text-align: right;">SAT439F</p>	<p>6th judgement flicker is longer than others.</p>  <p style="text-align: right;">SAT447F</p>
<p>Vehicle speed sensor circuit is short-circuited or disconnected. ➔ Go to VEHICLE SPEED SENSOR-MTR, AT-102.</p>	<p>Overrun clutch solenoid valve circuit is short-circuited or disconnected. ➔ Go to OVERRUN CLUTCH SOLENOID VALVE (DTC: 1203), AT-99.</p>
<p>3rd judgement flicker is longer than others.</p>  <p style="text-align: right;">SAT441F</p>	<p>7th judgement flicker is longer than others.</p>  <p style="text-align: right;">SAT449F</p>
<p>Throttle position sensor circuit is short-circuited or disconnected. ➔ Go to THROTTLE POSITION SENSOR (DTC: 1206), AT-97.</p>	<p>Torque converter clutch solenoid valve circuit is short-circuited or disconnected. ➔ Go to TORQUE CONVERTER CLUTCH SOLENOID VALVE (DTC: 1204), AT-80.</p>

$t_1 = 2.5$ seconds $t_2 = 2.0$ seconds $t_3 = 1.0$ second

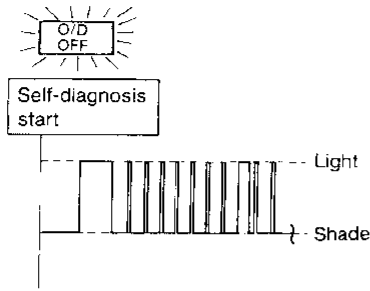
GI
MA
EM
LC
EC
FE
CL
MT
AT
TF
PD
FA
RA
BR
ST
RS
BT
HA
EL
IDX

ON BOARD DIAGNOSTIC SYSTEM DESCRIPTION

Self-diagnosis (Cont'd)

O/D OFF indicator lamp:

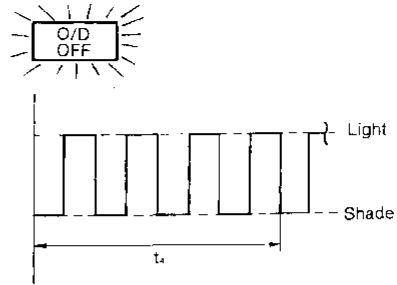
8th judgement flicker is longer than others.



SAT451F

A/T fluid temperature sensor is disconnected or A/T control unit power source circuit is damaged.
 ➔ Go to A/T FLUID TEMPERATURE SENSOR AND A/T CONTROL UNIT POWER SOURCE (DTC: 1208), AT-61.

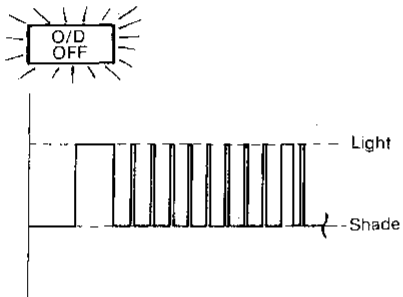
Flickers as shown below.



SAT457F

Battery power is low.
 Battery has been disconnected for a long time.
 Battery is connected conversely.
 (When reconnecting A/T control unit connectors. — This is not a problem.)

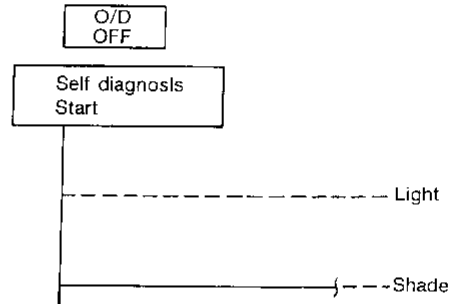
9th judgement flicker is longer than others.



SAT453F

Engine speed signal circuit is short-circuited or disconnected.
 ➔ Go to ENGINE SPEED SIGNAL (DTC: 1207), AT-66.

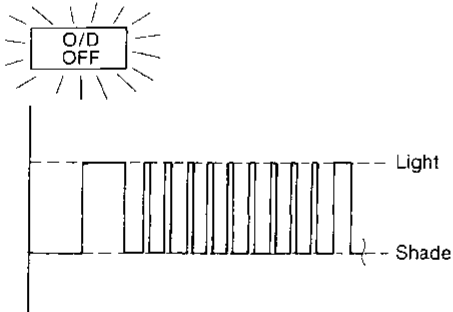
Does not come on.



SAT414G

Inhibitor switch, overdrive control switch or throttle position switch circuit is disconnected or A/T control unit is damaged.
 ➔ Go to INHIBITOR, OVERDRIVE CONTROL AND THROTTLE POSITION SWITCHES (DTC: 1101), AT-55.

10th judgement flicker is longer than others.



SAT455F

Line pressure solenoid valve circuit is short-circuited or disconnected.
 ➔ Go to LINE PRESSURE SOLENOID VALVE (DTC: 1205), AT-88.

$t_4 = 1.0$ second

Diagnosis by CONSULT

NOTICE

1. The CONSULT electrically displays shift timing and lock-up timing (that is, operation timing of each solenoid).
Check for time difference between actual shift timing and the CONSULT display. If the difference is noticeable, mechanical parts (except solenoids, sensors, etc.) may be malfunctioning. Check mechanical parts using applicable diagnostic procedures.
2. Shift schedule (which implies gear position) displayed on CONSULT and that indicated in Service Manual may differ slightly. This occurs because of the following reasons:
 - Actual shift schedule has more or less tolerance or allowance,
 - Shift schedule indicated in Service Manual refers to the point where shifts start. Gear position displayed on CONSULT indicates the point where shifts are completed.
3. Shift solenoid valve "A" or "B" is displayed on CONSULT at the start of shifting. Gear position is displayed upon completion of shifting (which is computed by A/T control unit).
4. Additional CONSULT information can be found in the Operation Manual supplied with the CONSULT unit.

SELF-DIAGNOSTIC RESULT TEST MODE

Refer to AT-22.

DATA MONITOR DIAGNOSTIC TEST MODE

Item	Display	Monitor item		Description	Remarks
		ECU input signals	Main signals		
Vehicle speed sensor 1 (A/T) (Revolution sensor)	VHCL/S SE-A/T [km/h] or [mph]	X	—	● Vehicle speed computed from signal of revolution sensor is displayed.	When racing engine in "N" or "P" position with vehicle stationary, CONSULT data may not indicate 0 km/h (0 mph).
Vehicle speed sensor 2 (Meter)	VHCL/S SE-MTR [km/h] or [mph]	X	—	● Vehicle speed computed from signal of vehicle speed sensor is displayed.	Vehicle speed display may not be accurate under approx. 10 km/h (6 mph). It may not indicate 0 km/h (0 mph) when vehicle is stationary.
Throttle position sensor	THRTL POS SEN [V]	X	—	● Throttle position sensor signal voltage is displayed.	
A/T fluid temperature sensor	FLUID TEMP SEN [V]	X	—	● A/T fluid temperature sensor signal voltage is displayed. ● Signal voltage lowers as fluid temperature rises.	
Battery voltage	BATTERY VOLT [V]	X	—	● Source voltage of control unit is displayed.	
Engine speed	ENGINE SPEED [rpm]	X	X	● Engine speed, computed from engine speed signal, is displayed.	Engine speed display may not be accurate under approx. 800 rpm. It may not indicate 0 rpm even when engine is not running.
Overdrive control switch	OVERDRIVE SW [ON/OFF]	X	—	● ON/OFF state computed from signal of overdrive control SW is displayed.	
P/N position switch	P/N POSI SW [ON/OFF]	X	—	● ON/OFF state computed from signal of P/N position SW is displayed.	
R position switch	R POSITION SW [ON/OFF]	X	—	● ON/OFF state computed from signal of R position SW is displayed.	
D position switch	D POSITION SW [ON/OFF]	X	—	● ON/OFF state computed from signal of D position SW is displayed.	
2 position switch	2 POSITION SW [ON/OFF]	X	—	● ON/OFF status, computed from signal of 2 position SW, is displayed.	

ON BOARD DIAGNOSTIC SYSTEM DESCRIPTION

Diagnosis by CONSULT (Cont'd)

Item	Display	Monitor item		Description	Remarks
		ECU input signals	Main signals		
1 position switch	1 POSITION SW [ON/OFF]	X	—	● ON/OFF status, computed from signal of 1 position SW, is displayed.	
ASCD-cruise signal	ASCD-CRUISE [ON/OFF]	X	—	● Status of ASCD cruise signal is displayed. ON ... Cruising state OFF ... Normal running state	● This is displayed even when no ASCD is mounted.
ASCD-OD cut signal	ASCD-OD CUT [ON/OFF]	X	—	● Status of ASCD-OD release signal is displayed. ON ... OD released OFF ... OD not released	● This is displayed even when no ASCD is mounted.
Kickdown switch	KICKDOWN SW [ON/OFF]	X	—	● ON/OFF status, computed from signal of kickdown SW, is displayed.	● This is displayed even when no kickdown switch is equipped.
Closed throttle position switch	CLOSED THL/SW [ON/OFF]	X	—	● ON/OFF status, computed from signal of closed throttle position SW, is displayed.	
Wide open throttle position switch	W/O THRL/P-SW [ON/OFF]	X	—	● ON/OFF status, computed from signal of wide open throttle position SW, is displayed.	
Gear position	GEAR	—	X	● Gear position data used for computation by control unit, is displayed.	
Selector lever position	SLCT LVR POSI	—	X	● Selector lever position data, used for computation by control unit, is displayed.	● A specific value used for control is displayed if fail-safe is activated due to error.
Vehicle speed	VEHICLE SPEED [km/h] or [mph]	—	X	● Vehicle speed data, used for computation by control unit, is displayed.	
Throttle position	THROTTLE POSI [8]	—	X	● Throttle position data, used for computation by control unit, is displayed.	● A specific value used for control is displayed if fail-safe is activated due to error.
Line pressure duty	LINE PRES DTY [%]	—	X	● Control value of line pressure solenoid valve, computed by control unit from each input signal, is displayed.	
Torque converter clutch solenoid valve duty	TCC S/V DUTY [%]	—	X	● Control value of torque converter clutch solenoid valve, computed by control unit from each input signal, is displayed.	
Shift solenoid valve A	SHIFT S/V A [ON/OFF]	—	X	● Control value of shift solenoid valve A, computed by control unit from each input signal, is displayed.	Control value of solenoid is displayed even if solenoid circuit is disconnected. The "OFF" signal is displayed if solenoid circuit is shorted.
Shift solenoid valve B	SHIFT S/V B [ON/OFF]	—	X	● Control value of shift solenoid valve B, computed by control unit from each input signal, is displayed.	
Overrun clutch solenoid valve	OVERRUN/C S/V [ON/OFF]	—	X	● Control value of overrun clutch solenoid valve computed by control unit from each input signal is displayed.	
Self-diagnosis display lamp (O/D OFF indicator lamp)	SELF-D DP LMP [ON/OFF]	—	X	● Control status of O/D OFF indicator lamp is displayed.	

X: Applicable

—: Not applicable

ON BOARD DIAGNOSTIC SYSTEM DESCRIPTION

Diagnosis by CONSULT (Cont'd)

DATA ANALYSIS

Item	Display form	Meaning			
Torque converter clutch solenoid valve duty	Approximately 4%	Lock-up "OFF"	G		
	↓ Approximately 94%	↓ Lock-up "ON"	MA		
Line pressure solenoid valve duty	Approximately 0%	Low line-pressure (Small throttle opening)	EM		
	↓ Approximately 95%	↓ High line-pressure (Large throttle opening)	LC		
Throttle position sensor	Approximately 0.5V	Fully-closed throttle	EC		
	Approximately 4V	Fully-open throttle	EC		
A/T fluid temperature sensor	Approximately 1.5V	Cold [20°C (68°F)]	FE		
	↓ Approximately 0.5V	↓ Hot [80°C (176°F)]	FE		
Gear position	1	2	3	4	CL
Shift solenoid valve A	ON	OFF	OFF	ON	
Shift solenoid valve B	ON	ON	OFF	OFF	MT

AT

TF

PD

FA

RA

BR

ST

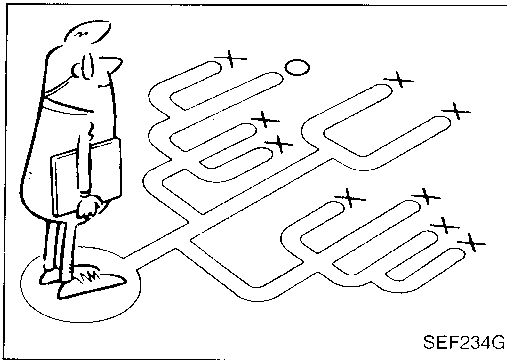
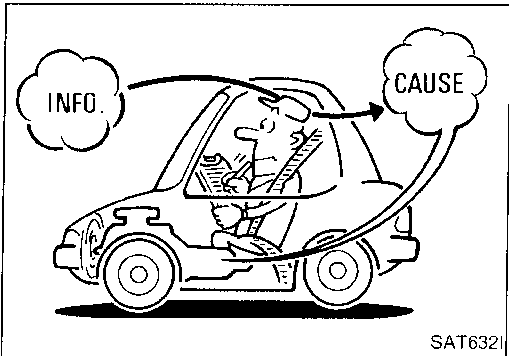
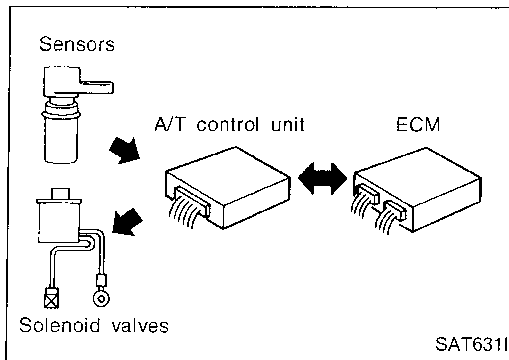
RS

BT

HA

EL

IDX



Introduction

The A/T control unit receives a signal from the vehicle-speed sensor, throttle position sensor or inhibitor switch and provides shift control or lock-up control via A/T unit solenoid valves.

The A/T control unit also communicates with the ECM by means of a signal sent from sensing elements used with the OBD-related parts of the A/T system for malfunction-diagnostic purposes. The A/T control unit is capable of diagnosing malfunctioning parts while the ECM can store malfunctions in its memory.

Input and output signals must always be correct and stable in the operation of the A/T system. The A/T system must be in good operating condition and be free of valve seizure, solenoid valve malfunction, etc.

It is much more difficult to diagnose a problem that occurs intermittently rather than continuously. Most intermittent problems are caused by poor electric connections or improper wiring. In this case, careful checking of suspected circuits may help prevent the replacement of good parts.

A visual check only may not find the cause of the problems. A road test with CONSULT (or GST) or a circuit tester connected should be performed. Follow the "Work Flow". Refer to AT-34.

Before undertaking actual checks, take a few minutes to talk with a customer who approaches with a driveability complaint. The customer can supply good information about such problems, especially intermittent ones. Find out what symptoms are present and under what conditions they occur. A "Diagnostic Worksheet" like the example (AT-32) should be used.

Start your diagnosis by looking for "conventional" problems first. This will help troubleshoot driveability problems on an electronically controlled engine vehicle.

TROUBLE DIAGNOSIS — Introduction

Diagnostic Worksheet

INFORMATION FROM CUSTOMER

KEY POINTS

- WHAT** Vehicle & A/T model
WHEN Date, Frequencies
WHERE Road conditions
HOW Operating conditions, Symptoms

Customer name MR/MS	Model & Year	VIN
Trans. model RE4R01A	Engine VG33E	Mileage
Incident Date	Manuf. Date	In Service Date
Frequency	<input type="checkbox"/> Continuous <input type="checkbox"/> Intermittent (times a day)	
Symptoms	<input type="checkbox"/> Vehicle does not move. (<input type="checkbox"/> Any position <input type="checkbox"/> Particular position)	
	<input type="checkbox"/> No up-shift (<input type="checkbox"/> 1st → 2nd <input type="checkbox"/> 2nd → 3rd <input type="checkbox"/> 3rd → O/D)	
	<input type="checkbox"/> No down-shift (<input type="checkbox"/> O/D → 3rd <input type="checkbox"/> 3rd → 2nd <input type="checkbox"/> 2nd → 1st)	
	<input type="checkbox"/> Lockup malfunction	
	<input type="checkbox"/> Shift point too high or too low.	
	<input type="checkbox"/> Shift shock or slip (<input type="checkbox"/> N → D <input type="checkbox"/> Lockup <input type="checkbox"/> Any drive position)	
	<input type="checkbox"/> Noise or vibration	
	<input type="checkbox"/> No kickdown	
	<input type="checkbox"/> No pattern select	
O/D OFF indicator lamp	Blinks for about 8 seconds.	
	<input type="checkbox"/> Continuously lit	<input type="checkbox"/> Not lit
Malfunction indicator lamp (MIL)	<input type="checkbox"/> Continuously lit	<input type="checkbox"/> Not lit

GI
 MA
 EM
 LC
 EC
 FE
 CL
 MT
AT
 TF
 PD
 FA
 RA
 BR
 ST
 RS
 BT
 HA
 EL
 IDX

TROUBLE DIAGNOSIS — Introduction

Diagnostic Worksheet (Cont'd)

DIAGNOSTIC WORKSHEET

1.	<input type="checkbox"/> Read the Fail-safe and listen to customer complaints.	AT-5
2.	<input type="checkbox"/> CHECK A/T FLUID	AT-35
	<input type="checkbox"/> Leakage (Follow specified procedure) <input type="checkbox"/> Fluid condition <input type="checkbox"/> Fluid level	
3.	<input type="checkbox"/> Perform all ROAD TEST and mark required procedures.	AT-35
	3-1. Check before engine is started. <input type="checkbox"/> SELF-DIAGNOSTIC PROCEDURE — Mark detected items. <ul style="list-style-type: none"> <input type="checkbox"/> Inhibitor, overdrive control and throttle position switches, AT-55. <input type="checkbox"/> A/T fluid temperature sensor and A/T control unit power source, AT-61. <input type="checkbox"/> Vehicle speed sensor-A/T (Revolution sensor), AT-64. <input type="checkbox"/> Engine speed signal, AT-66. <input type="checkbox"/> Torque converter clutch solenoid valve, AT-80. <input type="checkbox"/> Line pressure solenoid valve, AT-88. <input type="checkbox"/> Shift solenoid valve A, AT-91. <input type="checkbox"/> Shift solenoid valve B, AT-94. <input type="checkbox"/> Throttle position sensor, AT-97. <input type="checkbox"/> Overrun clutch solenoid valve, AT-99. <input type="checkbox"/> Vehicle speed sensor-MTR, AT-102. <input type="checkbox"/> Battery <input type="checkbox"/> Others 	AT-36
	3-2. Check at idle <ul style="list-style-type: none"> <input type="checkbox"/> 1. O/D OFF Indicator Lamp Does Not Come On, AT-104. <input type="checkbox"/> 2. Engine Cannot Be Started In "P" And "N" Position, AT-105. <input type="checkbox"/> 3. In "P" Position, Vehicle Moves Forward Or Backward When Pushed, AT-105. <input type="checkbox"/> 4. In "N" Position, Vehicle Moves, AT-106. <input type="checkbox"/> 5. Large Shock. "N" → "R" Position, AT-107. <input type="checkbox"/> 6. Vehicle Does Not Creep Backward In "R" Position, AT-108. <input type="checkbox"/> 7. Vehicle Does Not Creep Forward In "D", "2" Or "1" Position, AT-109. 	AT-37
3-3. Cruise test Part-1 <ul style="list-style-type: none"> <input type="checkbox"/> 8. Vehicle Cannot Be Started From D₁, AT-110. <input type="checkbox"/> 9. A/T Does Not Shift: D₁ → D₂ Or Does Not Kickdown: D₄ → D₂, AT-111. <input type="checkbox"/> 10. A/T Does Not Shift: D₂ → D₃, AT-112. <input type="checkbox"/> 11. A/T Does Not Shift: D₃ → D₄, AT-113. <input type="checkbox"/> 12. A/T Does Not Perform Lock-up, AT-114. <input type="checkbox"/> 13. A/T Does Not Hold Lock-up Condition, AT-115. <input type="checkbox"/> 14. Lock-up Is Not Released, AT-115. <input type="checkbox"/> 15. Engine Speed Does Not Return To Idle (Light Braking D₄ → D₃), AT-116. 	AT-38, AT-41	

TROUBLE DIAGNOSIS — Introduction

Diagnostic Worksheet (Cont'd)

3.	<p>Part-2</p> <ul style="list-style-type: none"> <input type="checkbox"/> 16. Vehicle Does Not Start From D₁, AT-117. <input type="checkbox"/> 9. A/T Does Not Shift: D₁ → D₂ Or Does Not Kickdown: D₄ → D₂, AT-111. <input type="checkbox"/> 10. A/T Does Not Shift: D₂ → D₃, AT-112. <input type="checkbox"/> 11. A/T Does Not Shift: D₃ → D₄, AT-113. <p>Part-3</p> <ul style="list-style-type: none"> <input type="checkbox"/> 17. A/T Does Not Shift: D₄ → D₃ When Overdrive Control Switch "ON" → "OFF", AT-117 <input type="checkbox"/> 15. Engine Speed Does Not Return To Idle (Engine Brake In D₃), AT-116. <input type="checkbox"/> 18. A/T Does Not Shift: D₃ → 2₂, When Selector Lever "D" → "2" Position, AT-118. <input type="checkbox"/> 15. Engine Speed Does Not Return To Idle (Engine Brake In 2₂), AT-116. <input type="checkbox"/> 19. A/T Does Not Shift: 2₂ → 1₁, When Selector Lever "2" → "1" Position, AT-118. <input type="checkbox"/> 20. Vehicle Does Not Decelerate By Engine Brake, AT-119. <input type="checkbox"/> SELF-DIAGNOSTIC PROCEDURE — Mark detected items. <ul style="list-style-type: none"> <input type="checkbox"/> Inhibitor, overdrive control and throttle position switches, AT-55. <input type="checkbox"/> A/T fluid temperature sensor and A/T control unit power source, AT-61. <input type="checkbox"/> Vehicle speed sensor-A/T (Revolution sensor), AT-64. <input type="checkbox"/> Engine speed signal, AT-66. <input type="checkbox"/> Torque converter clutch solenoid valve, AT-80. <input type="checkbox"/> Line pressure solenoid valve, AT-88. <input type="checkbox"/> Shift solenoid valve A, AT-91. <input type="checkbox"/> Shift solenoid valve B, AT-94. <input type="checkbox"/> Throttle position sensor, AT-97. <input type="checkbox"/> Overrun clutch solenoid valve, AT-99. <input type="checkbox"/> Vehicle speed sensor-MTR, AT-102. <input type="checkbox"/> Battery <input type="checkbox"/> Others 	AT-43		
		AT-44		
4.	<input type="checkbox"/> For self-diagnosis NG items, inspect each component. Repair or replace the damaged parts.	AT-22		
5.	<input type="checkbox"/> Perform all ROAD TEST and re-mark required procedures.	AT-35		
6.	<input type="checkbox"/> Perform SELF-DIAGNOSIS for following MIL indicating items and check out NG items. Refer to EC section ["Emission-related Diagnostic Information", "ON BOARD DIAGNOSTIC SYSTEM DESCRIPTION"]. <ul style="list-style-type: none"> <input type="checkbox"/> DTC (P0731, 1103) Improper shifting to 1st gear position, AT-68. <input type="checkbox"/> DTC (P0732, 1104) Improper shifting to 2nd gear position, AT-71. <input type="checkbox"/> DTC (P0733, 1105) Improper shifting to 3rd gear position, AT-73. <input type="checkbox"/> DTC (P0734, 1106) Improper shifting to 4th gear position, AT-75. <input type="checkbox"/> DTC (P0744, 1107) Improper lock-up operation, AT-83. 	EC section		
7.	<input type="checkbox"/> Perform the Diagnostic Procedures for all remaining items marked NG. Repair or replace the damaged parts. Refer to the Symptom Chart when you perform the procedures. (The chart also shows some other possible symptoms and the component inspection orders.)	AT-51 AT-48		
8.	<input type="checkbox"/> Erase DTC from A/T control unit and ECM memories.	AT-20		
9.	Perform FINAL CHECK. <ul style="list-style-type: none"> <input type="checkbox"/> Stall test — Mark possible damaged components/others. <table style="width: 100%; border: none;"> <tr> <td style="width: 50%; vertical-align: top;"> <ul style="list-style-type: none"> <input type="checkbox"/> Torque converter one-way clutch <input type="checkbox"/> Reverse clutch <input type="checkbox"/> Forward clutch <input type="checkbox"/> Overrun clutch <input type="checkbox"/> Forward one-way clutch </td> <td style="width: 50%; vertical-align: top;"> <ul style="list-style-type: none"> <input type="checkbox"/> Low & reverse brake <input type="checkbox"/> Low one-way clutch <input type="checkbox"/> Engine <input type="checkbox"/> Line pressure is low <input type="checkbox"/> Clutches and brakes except high clutch and brake band are OK </td> </tr> </table> <input type="checkbox"/> Pressure test — Suspected parts: 	<ul style="list-style-type: none"> <input type="checkbox"/> Torque converter one-way clutch <input type="checkbox"/> Reverse clutch <input type="checkbox"/> Forward clutch <input type="checkbox"/> Overrun clutch <input type="checkbox"/> Forward one-way clutch 	<ul style="list-style-type: none"> <input type="checkbox"/> Low & reverse brake <input type="checkbox"/> Low one-way clutch <input type="checkbox"/> Engine <input type="checkbox"/> Line pressure is low <input type="checkbox"/> Clutches and brakes except high clutch and brake band are OK 	AT-120
<ul style="list-style-type: none"> <input type="checkbox"/> Torque converter one-way clutch <input type="checkbox"/> Reverse clutch <input type="checkbox"/> Forward clutch <input type="checkbox"/> Overrun clutch <input type="checkbox"/> Forward one-way clutch 	<ul style="list-style-type: none"> <input type="checkbox"/> Low & reverse brake <input type="checkbox"/> Low one-way clutch <input type="checkbox"/> Engine <input type="checkbox"/> Line pressure is low <input type="checkbox"/> Clutches and brakes except high clutch and brake band are OK 			

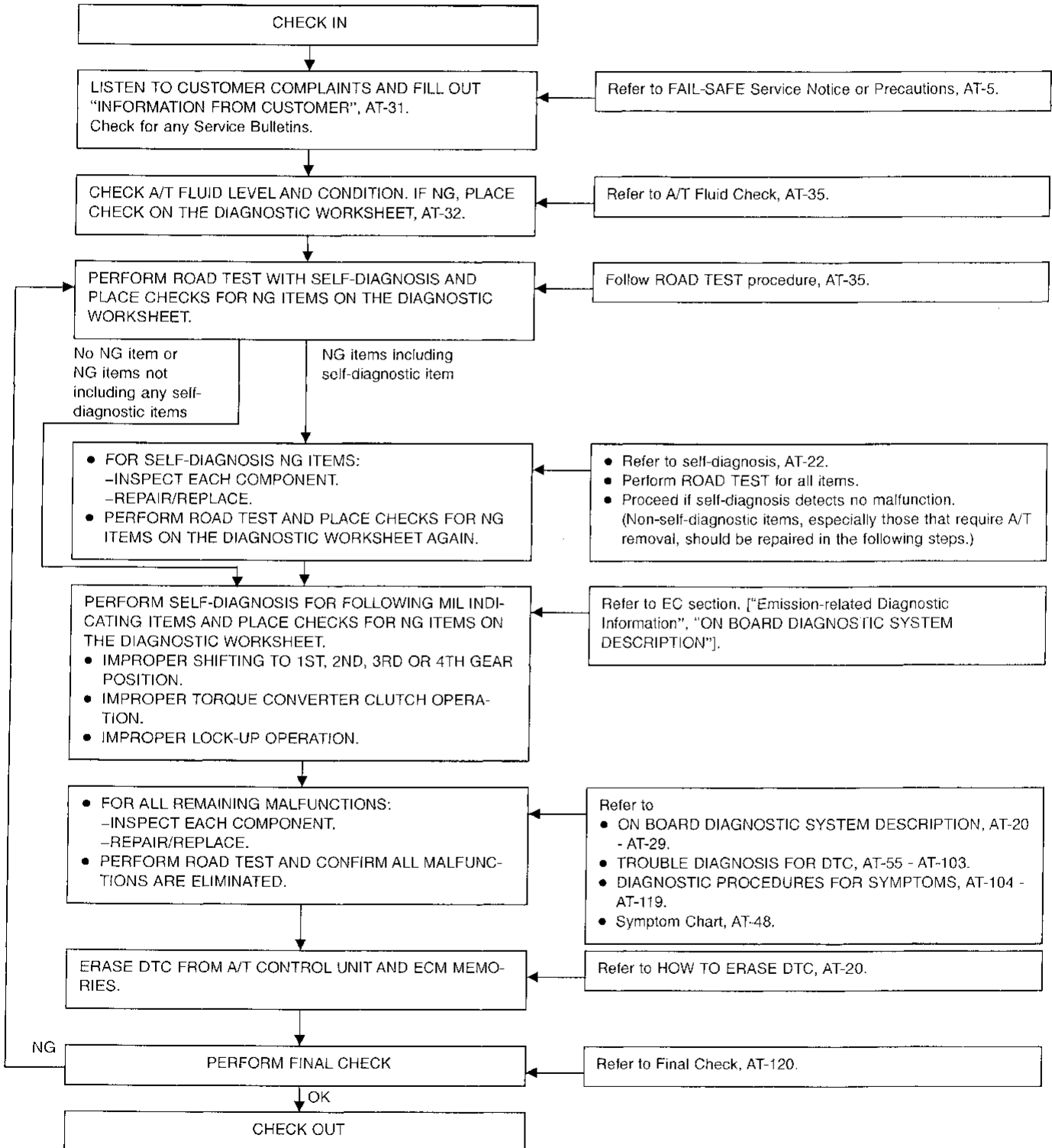
CI
MA
EM
LC
EC
FE
CL
MT
AT
TF
PD
FA
RA
BR
ST
RS
BT
HA
EL
DX

Work Flow

HOW TO PERFORM TROUBLE DIAGNOSES FOR QUICK AND ACCURATE REPAIR

A good understanding of the malfunction conditions can make troubleshooting faster and more accurate. In general, each customer feels differently about a problem. It is important to fully understand the symptoms or conditions for a customer complaint.

Make good use of the two sheets provided, "INFORMATION FROM CUSTOMER" and "DIAGNOSTIC WORKSHEET", to perform the best troubleshooting possible.



A/T Fluid Check

FLUID LEAKAGE CHECK

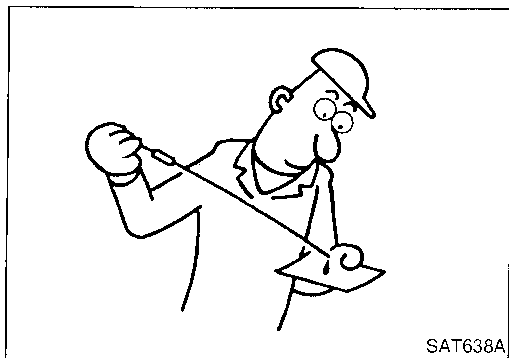
1. Clean area suspected of leaking. — for example, mating surface of converter housing and transmission case.
2. Start engine, apply foot brake, place selector lever in "D" position and wait a few minutes.
3. Stop engine.
4. Check for fresh leakage.

GI

MA

EM

LC



SAT638A

FLUID CONDITION CHECK

Fluid color	Suspected problem
Dark or black with burned odor	Wear of frictional material
Milky pink	Water contamination — Road water entering through filler tube or breather
Varnished fluid, light to dark brown and tacky	Oxidation — Over or under filling, — Overheating

EC

FE

CL

FLUID LEVEL CHECK

Refer to MA section ("Checking A/T Fluid", "CHASSIS AND BODY MAINTENANCE").

MT

ROAD TEST PROCEDURE

1. Check before engine is started.



2. Check at idle.



3. Cruise test.

SAT786A

Road Test

DESCRIPTION

- The purpose of the test is to determine overall performance of A/T and analyze causes of problems.
- The road test consists of the following three parts:
 1. Check before engine is started
 2. Check at idle
 3. Cruise test
- Before road test, familiarize yourself with all test procedures and items to check.
- Conduct tests on all items until specified symptom is found. Troubleshoot items which check out No Good after road test. Refer to "ON BOARD DIAGNOSTIC SYSTEM DESCRIPTION" and "DIAGNOSTIC PROCEDURES FOR SYMPTOMS", AT-20 - AT-29 and AT-104 - AT-119.

AT

TF

PD

FA

RA

BR

ST

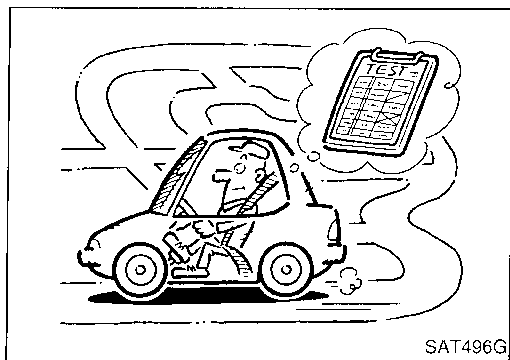
RS

BT

HA

EL

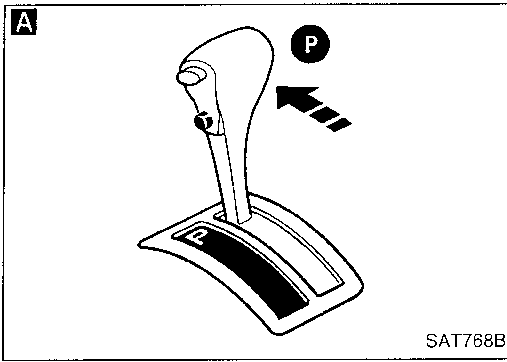
IDX



SAT496G

Road Test (Cont'd)

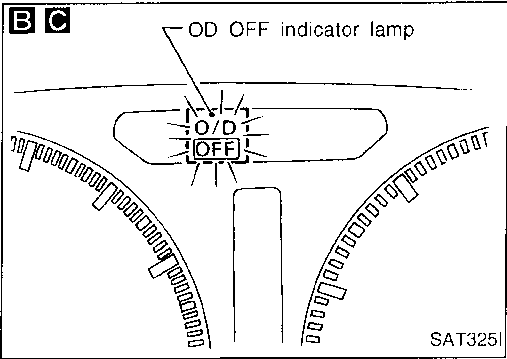
1. CHECK BEFORE ENGINE IS STARTED



A B

1. Park vehicle on flat surface.
2. Turn ignition switch to "OFF" position.
3. Move selector lever to "P" position.
4. Set overdrive control switch to "ON" position.
5. Turn ignition switch to "ON" position. (Do not start engine.)
6. Does O/D OFF indicator lamp come on for about 2 seconds?

No → Go to "1. O/D OFF Indicator Lamp Does Not Come On", AT-104.



C

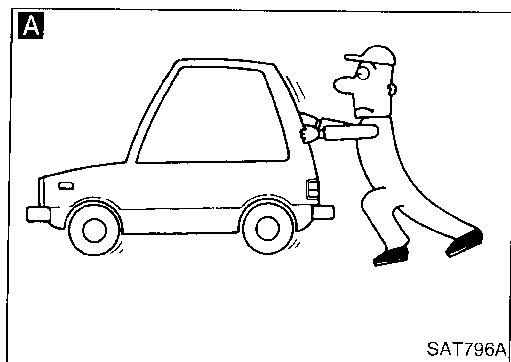
Does O/D OFF indicator lamp flicker for about 8 seconds?

Yes → Perform self-diagnosis. Refer to SELF-DIAGNOSIS PROCEDURE, AT-22.

- No
1. Turn ignition switch to "OFF" position.
 2. Perform self-diagnosis and note NG items. Refer to SELF-DIAGNOSIS PROCEDURE, AT-22.
 3. Go to "2. Check at idle", AT-37.

Road Test (Cont'd)

2. CHECK AT IDLE

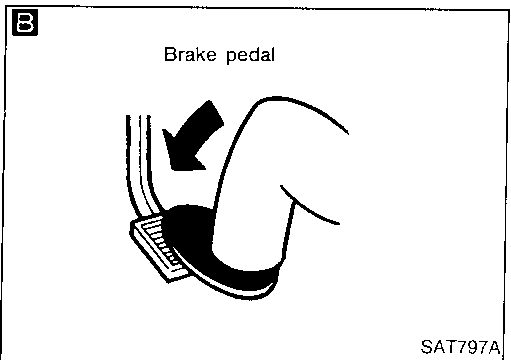


1. Park vehicle on flat surface.
2. Turn ignition switch to "OFF" position.
3. Move selector lever to "P" or "N" position.
4. Turn ignition switch to start position.
5. Is engine started?

No
Go to "2. Engine Cannot Be Started In "P" and "N" Position", AT-105.

Yes
1. Turn ignition switch to "OFF" position.
2. Move selector lever to "D", "1", "2" or "R" position.
3. Turn ignition switch to start position.
4. Is engine started?

Yes
Go to "2. Engine Cannot Be Started In "P" and "N" Position", AT-105.



No
A
1. Turn ignition switch to "OFF" position.
2. Move selector lever to "P" position.
3. Release parking brake.
4. Push vehicle forward or backward.
5. Does vehicle move when it is pushed forward or backward?

Yes
Go to "3. In "P" Position, Vehicle Moves Forward Or Backward When Pushed", AT-105.

No
1. Apply parking brake.
2. Move selector lever to "N" position.
3. Turn ignition switch to "START" position and start engine.
4. Release parking brake.
5. Does vehicle move forward or backward?

Yes
Go to "4. In "N" Position, Vehicle Moves", AT-106.

No
B
1. Apply foot brake.
2. Move selector lever to "R" position.
3. Is there large shock when changing from "N" to "R" position?

Yes
Go to "5. Large Shock "N" → "R" Position", AT-107.

No
1. Release foot brake for several seconds.
2. Does vehicle creep backward when foot brake is released?

No
Go to "6. Vehicle Does Not Creep Backward In "R" Position", AT-108.

Yes
1. Move selector lever to "D", "1" and "2" position and check if vehicle creeps forward.
2. Does vehicle creep forward in all three positions?

No
Go to "7. Vehicle Does Not Creep Forward In "D", "2" Or "1" Position", AT-109.

Yes
Go to "3. Cruise test", AT-38.

CI
MA
EM
LC
EC
FE
CL
VT
AT
TF
PD
FA
RA
BR
ST
RS
BT
FA
EL
DX

TROUBLE DIAGNOSIS — Basic Inspection

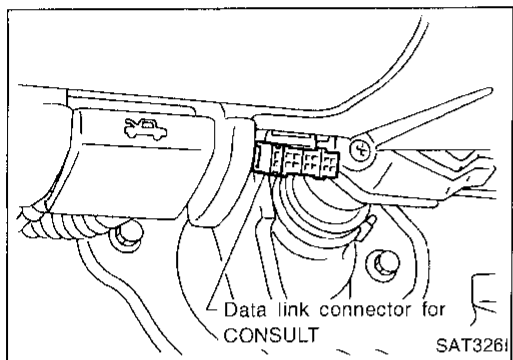
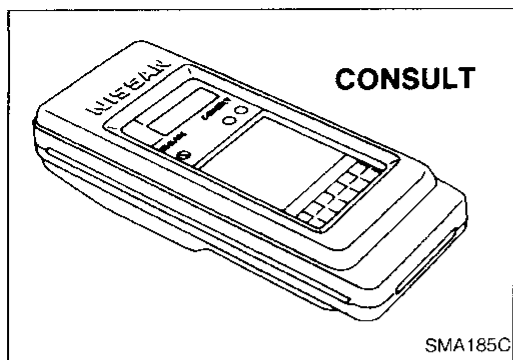
Road Test (Cont'd)

3. CRUISE TEST

- Check all items listed in Parts 1 through 3.

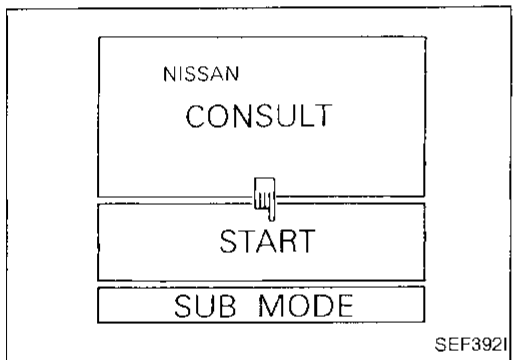
With CONSULT

- Using CONSULT, conduct a cruise test and record the result.
- Print the result and ensure that shifts and lock-ups take place as per "Shift Schedule".

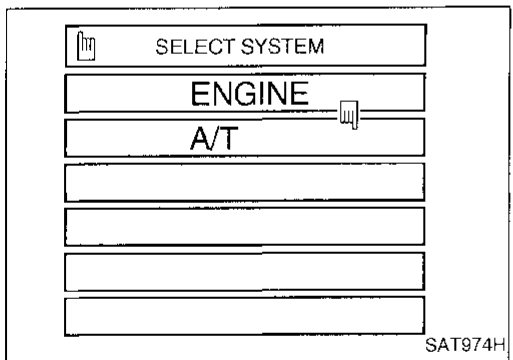


CONSULT setting procedure

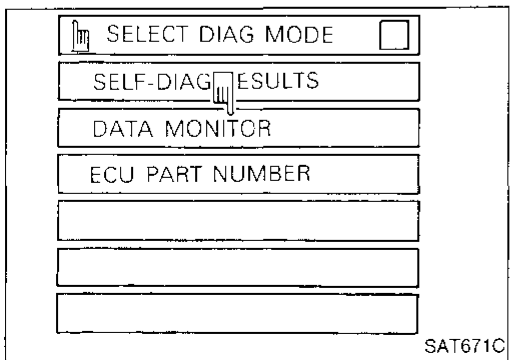
1. Turn off ignition switch.
2. Connect "CONSULT" to Data link connector for CONSULT. Data link connector for CONSULT is located in instrument lower panel on driver side.



3. Turn on ignition switch.
4. Touch "START".



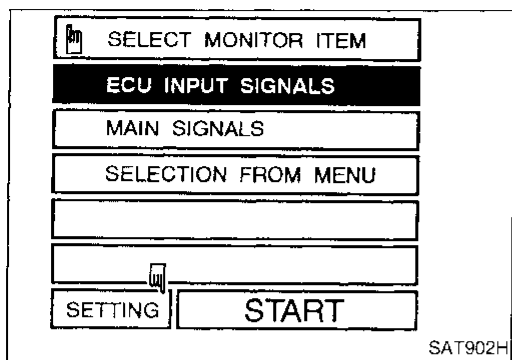
5. Touch "A/T".



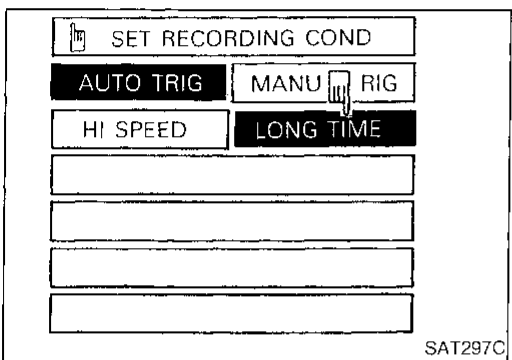
6. Touch "DATA MONITOR".

TROUBLE DIAGNOSIS — Basic Inspection

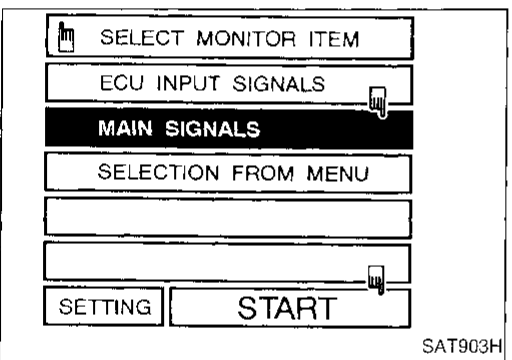
Road Test (Cont'd)



7. Touch "SETTING" to set recording condition.

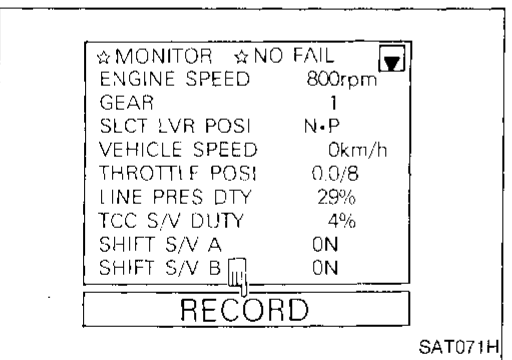


8. Touch "LONG TIME" and "ENTER" key.

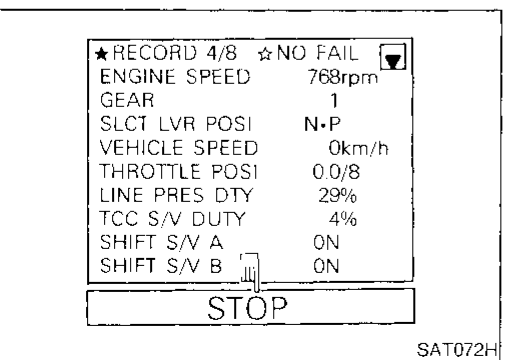


9. Go back to SELECT MONITOR ITEM and touch "MAIN SIGNALS".

10. Touch "START".



11. When performing cruise test, touch "RECORD".



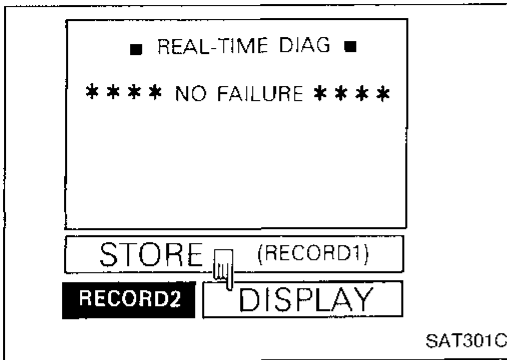
12. After finishing cruise test part 1, touch "STOP".

GI
MA
EM
LC
EC
FE
CL
MT
AT
TF
PD
FA
RA
BR
ST
RS
BT
HA
EL
IDX

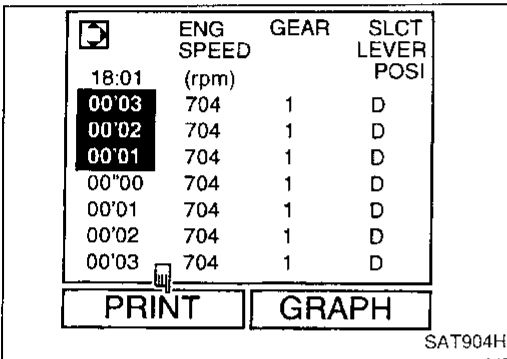
TROUBLE DIAGNOSIS — Basic Inspection

Road Test (Cont'd)

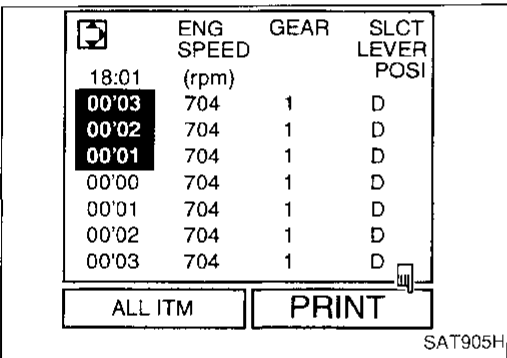
13. Touch "DISPLAY".



14. Touch "PRINT".

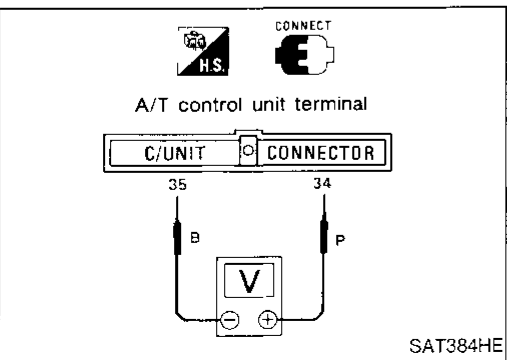
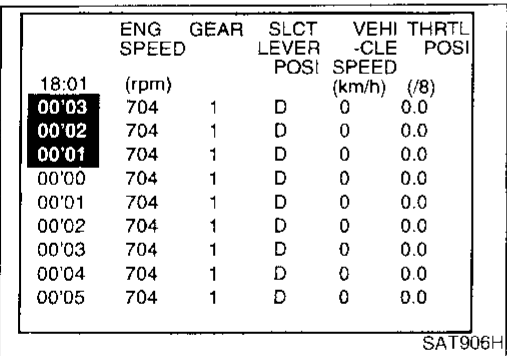


15. Touch "PRINT" again.



16. Check the monitor data printed out.

17. Continue cruise test part 2 and 3.

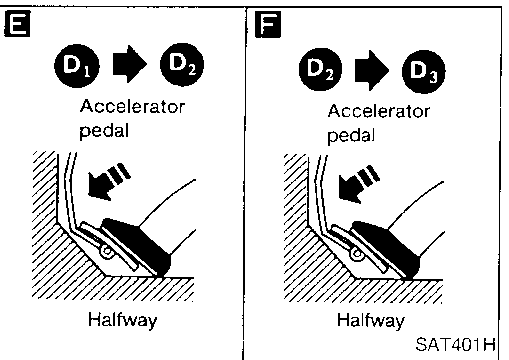
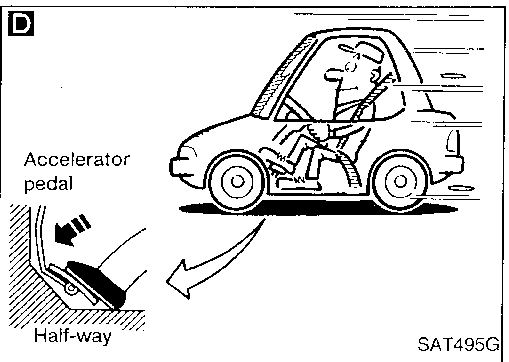
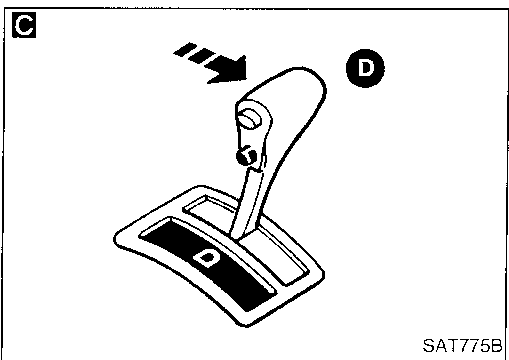
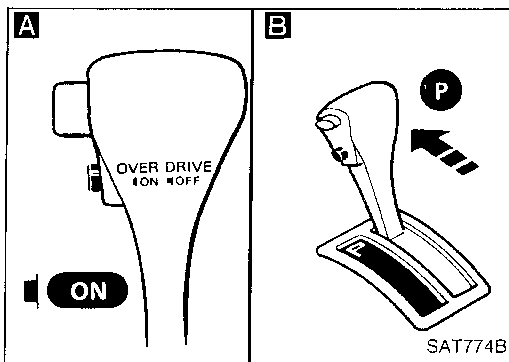


Without CONSULT

- Throttle position can be checked by voltage across terminals ③④ and ③⑤ of A/T control unit.

Road Test (Cont'd)

CRUISE TEST — Part 1



1. Drive vehicle for approx. 10 minutes to warm engine oil and ATF up to operating temperature.
ATF operating temperature:
50 - 80°C (122 - 176°F)

A B

1. Park vehicle on flat surface.
2. Set overdrive control switch to "ON" position.
3. Move selector lever to "P" position.
4. Start engine.

C

Move selector lever to "D" position.

D

Accelerate vehicle by constantly depressing accelerator pedal halfway.

Does vehicle start from D₁?
Read gear position.

No → Go to "8. Vehicle Cannot Be Started From D₁", AT-110.

E

Does A/T shift from D₁ to D₂ at the specified speed?
Read gear position, throttle opening and vehicle speed.
Specified speed when shifting from D₁ to D₂:
Refer to Shift schedule, AT-45.

No → Go to "9. A/T Does Not Shift: D₁ → D₂ Or Does Not Kickdown: D₄ → D₂", AT-111.

F

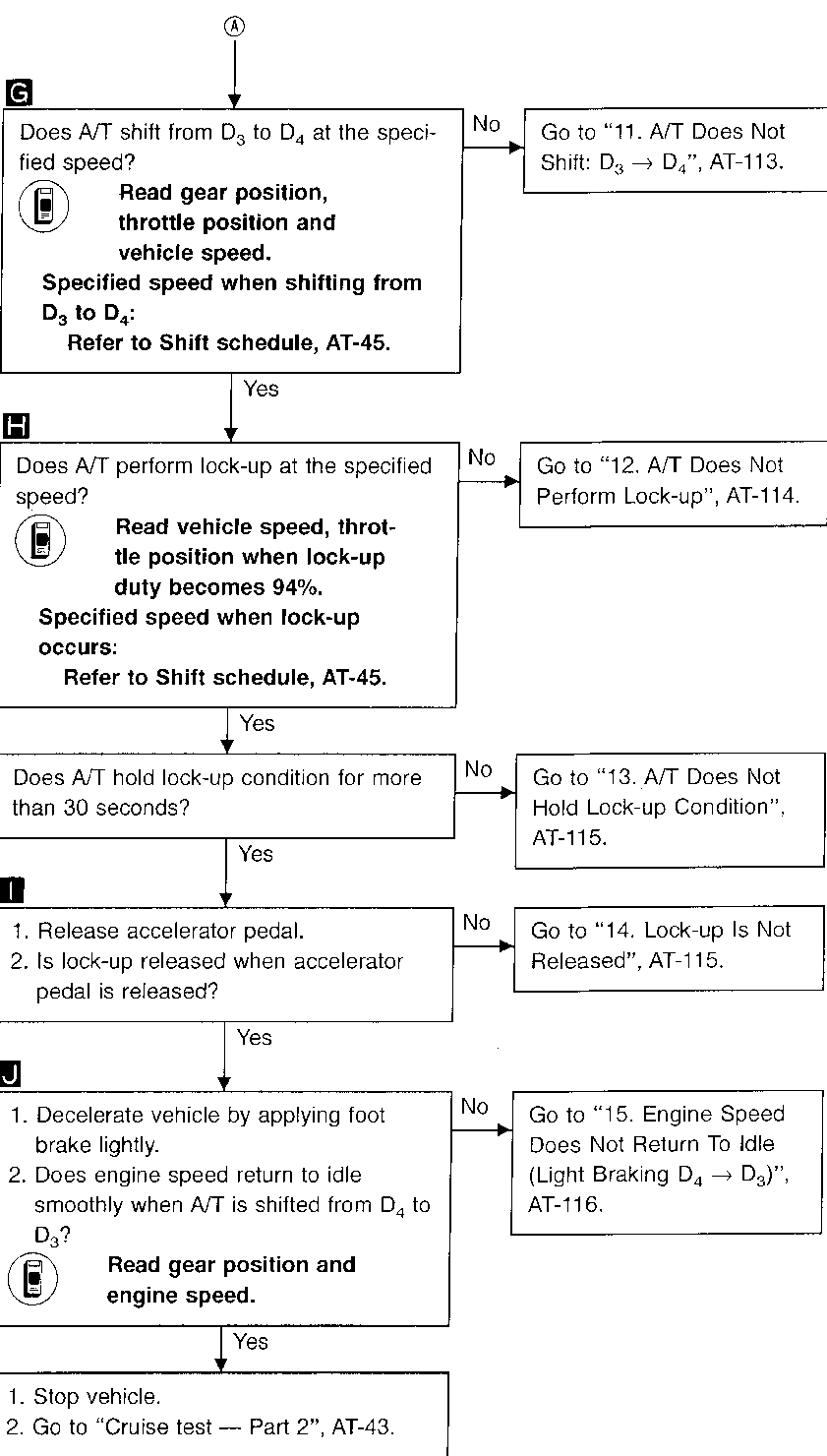
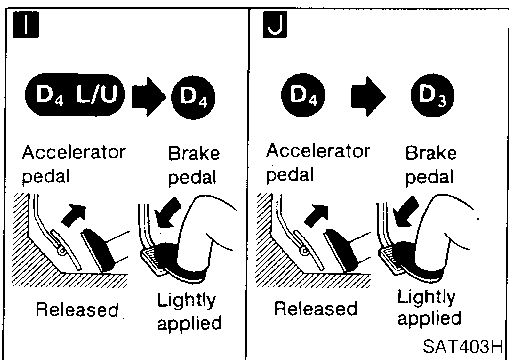
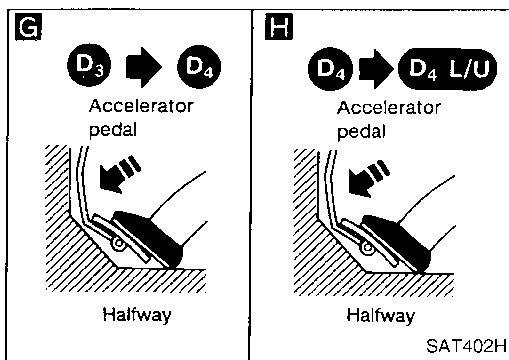
Does A/T shift from D₂ to D₃ at the specified speed?
Read gear position, throttle position and vehicle speed.
Specified speed when shifting from D₂ to D₃:
Refer to Shift schedule, AT-45.

No → Go to "10. A/T Does Not Shift: D₂ → D₃", AT-112.

Yes → (A)

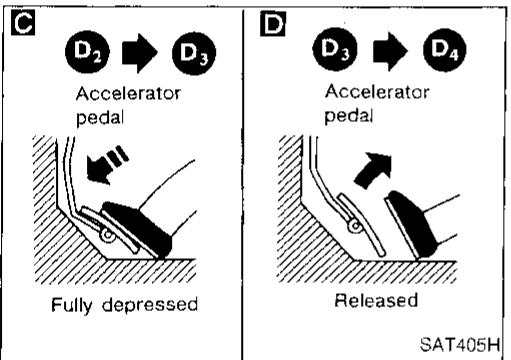
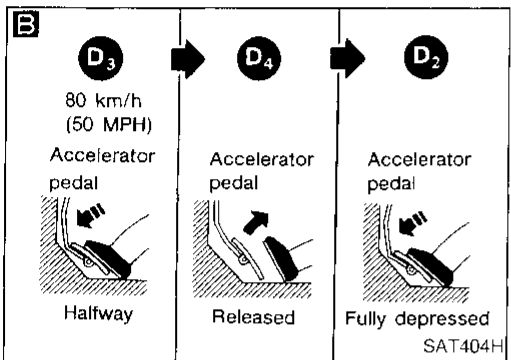
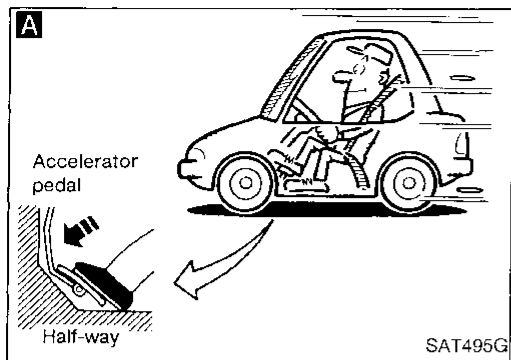
GI
MA
EM
LC
EC
FE
CL
MT
AT
TF
PD
FA
RA
BR
ST
RS
BT
HA
EL
IDX

Road Test (Cont'd)



Road Test (Cont'd)

CRUISE TEST — Part 2



1. Confirm overdrive control switch is in "ON" position.
2. Confirm selector lever is in "D" position.

A

1. Accelerate vehicle by half throttle again.
2. Does vehicle start from D₁?

Read gear position.

No → Go to "16. Vehicle Does Not Start From D₁", AT-117.

B

1. Accelerate vehicle to 80 km/h (50 MPH) as shown in illustration.
2. Release accelerator pedal and then quickly depress it fully.
3. Does A/T shift from D₄ to D₂ as soon as accelerator pedal is depressed fully?

Read gear position and throttle position.

No → Go to "9. A/T Does Not Shift: D₄ → D₂ Or Does Not Kickdown: D₄ → D₂", AT-111.

C

Does A/T shift from D₂ to D₃ at the specified speed?

Read gear position, throttle position and vehicle speed.

Specified speed when shifting from D₂ to D₃:
Refer to Shift schedule, AT-45.

No → Go to "10. A/T Does Not Shift: D₂ → D₃", AT-112.

D

Release accelerator pedal after shifting from D₂ to D₃. Does A/T shift from D₃ to D₄ and does vehicle decelerate by engine brake?

Read gear position, throttle position and vehicle speed.

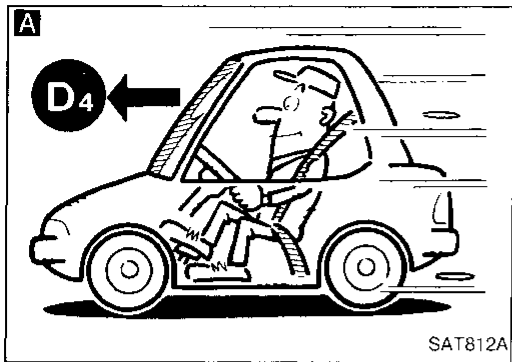
No → Go to "11. A/T Does Not Shift: D₃ → D₄", AT-113.

1. Stop vehicle.
2. Go to "Cruise test — Part 3", AT-44.

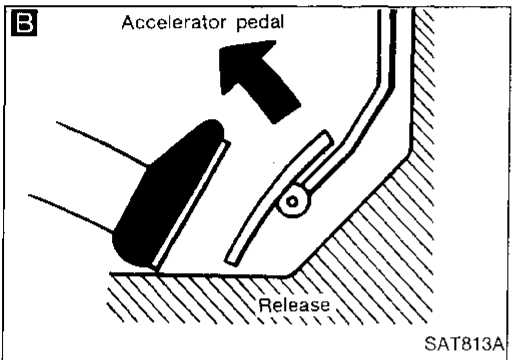
GI
MA
EM
LC
EC
SE
CL
MT
AT
TF
PD
FA
RA
BR
ST
RS
BT
HA
EL
DX

Road Test (Cont'd)

CRUISE TEST — Part 3



1. Confirm overdrive control switch is in "ON" position.
2. Confirm selector lever is in "D" position.



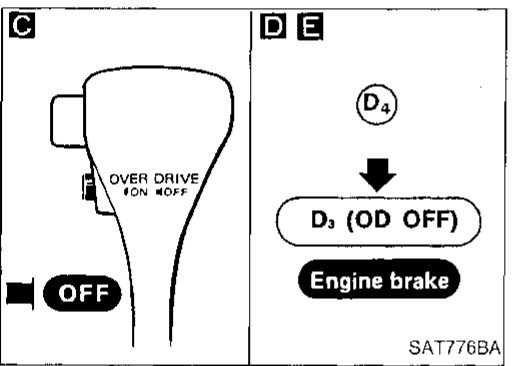
A
Accelerate vehicle using half-throttle to D₄.

B
Release accelerator pedal.

C
Set overdrive control switch to "OFF" position while driving in D₄.

D
Does A/T shift from D₄ to D₃ (O/D OFF)?
Read gear position and vehicle speed.

No → Go to "17. A/T Does Not Shift: D₄ → D₃, When Overdrive Control Switch "ON" → "OFF", AT-117.



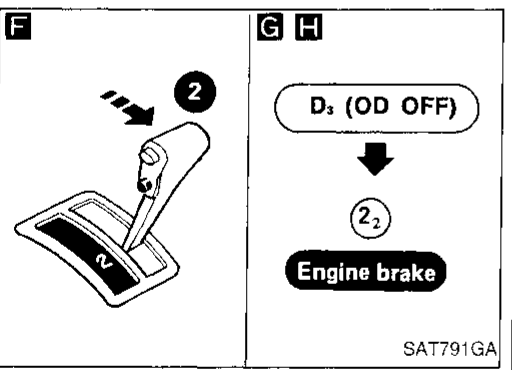
E
Does vehicle decelerate by engine brake?

No → Go to "15. Engine Speed Does Not Return To Idle (Light Braking D₄ → D₃)", AT-116.

F
Move selector lever from "D" to "2" position while driving in D₃ (O/D OFF).

G
Does A/T shift from D₃ (O/D OFF) to 2₂?
Read gear position.

No → Go to "18. A/T Does Not Shift: D₃ → D₂, When Selector Lever "D" → "2" Position", AT-118.

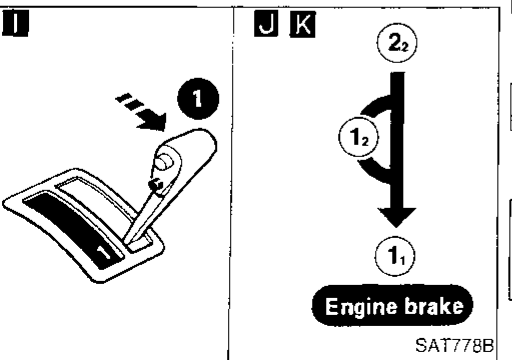


H
Does vehicle decelerate by engine brake?

No → Go to "15. Engine Speed Does Not Return To Idle (Light Braking D₄ → D₃)", AT-116.

I J
1. Move selector lever from "2" to "1" position while driving in 2₂.
2. Does A/T shift from 2₂ to 1₁ position?
Read gear position.

No → Go to "19. A/T Does Not Shift: 2₂ → 1₁, When Selector lever "2" → "1" Position", AT-118.



K
Does vehicle decelerate by engine brake?

No → Go to "20. Vehicle Does Not Decelerate By Engine Brake", AT-119.

1. Stop vehicle.
2. Perform self-diagnosis. Refer to SELF-DIAGNOSTIC PROCEDURE, AT-22.

TROUBLE DIAGNOSIS — Basic Inspection

Shift Schedule

VEHICLE SPEED WHEN SHIFTING GEARS

2WD, 4WD (Final gear ratio: 4.363) and 4WD (Final gear ratio: 4.636)

Throttle position	Vehicle speed km/h (MPH)						
	D ₁ → D ₂	D ₂ → D ₃	D ₃ → D ₄	D ₄ → D ₃	D ₃ → D ₂	D ₂ → D ₁	1 ₂ → 1 ₁
Full throttle	48 - 52 (30 - 32)	93 - 101 (58 - 63)	148 - 158 (92 - 98)	143 - 153 (89 - 95)	88 - 96 (55 - 60)	43 - 47 (27 - 29)	44 - 48 (27 - 30)
Half throttle	35 - 39 (22 - 24)	67 - 75 (42 - 47)	134 - 142 (83 - 88)	59 - 66 (37 - 41)	32 - 38 (20 - 24)	10 - 14 (6 - 9)	44 - 48 (27 - 30)

VEHICLE SPEED WHEN PERFORMING AND RELEASING LOCK-UP

2WD, 4WD (Final gear ratio: 4.363) and 4WD (Final gear ratio: 4.636)

Throttle position	Overdrive control switch [Shift position]	Vehicle speed km/h (MPH)	
		Lock-up "ON"	Lock-up "OFF"
Full throttle	ON [D ₄]	149 - 157 (93 - 98)	144 - 152 (89 - 94)
	OFF [D ₃]	93 - 101 (58 - 63)	88 - 96 (55 - 60)
Half throttle	ON [D ₄]	141 - 149 (88 - 93)	85 - 93 (53 - 58)
	OFF [D ₃]	74 - 82 (46 - 51)	71 - 79 (44 - 49)

CI

MA

EM

LC

EC

FE

CL

MT

AT

TF

PD

FA

RA

BR

ST

RS

BT

HA

EL

IDX

TROUBLE DIAGNOSIS — General Description

Diagnostic Trouble Code (DTC) Chart

A/T RELATED ITEMS

Diagnostic trouble code No.*4		Detected items (Screen terms for CONSULT, "SELF-DIAG RESULTS" mode)	Malfunction is detected when ...
CONSULT GST	ECM*3		
P0705	1101	Inhibitor switch circuit (INHIBITOR SWITCH)	● A/T control unit does not receive the correct voltage signal from the switch based on the gear position.
P0710	1208	A/T fluid temperature sensor (FLUID TEMP SENSOR)	● A/T control unit receives an excessively low or high voltage from the sensor.
P0720	1102	Revolution sensor (VHCL SPEED SEN-A/T)	● A/T control unit does not receive the proper voltage signal from the sensor.
P0725	1207	Engine speed signal (ENGINE SPEED SIG)	● A/T control unit does not receive the proper voltage signal from the ECM.
P0731	1103	Improper shifting to 1st gear position (A/T 1ST SIGNAL)	● A/T cannot be shifted to the 1st gear position even if electrical circuit is good.
P0732	1104	Improper shifting to 2nd gear position (A/T 2ND SIGNAL)	● A/T cannot be shifted to the 2nd gear position even if electrical circuit is good.
P0733	1105	Improper shifting to 3rd gear position (A/T 3RD SIGNAL)	● A/T cannot be shifted to the 3rd gear position even if electrical circuit is good.
P0734	1106	Improper shifting to 4th gear position (A/T 4TH SIGNAL OR TCC*5)	● A/T cannot be shifted to the 4th gear position even if electrical circuit is good.
P0740	1204	T/C clutch solenoid valve (TOR CONV CLUTCH SV)	● A/T control unit detects an improper voltage drop when it tries to operate the solenoid valve.
P0744	1107	Improper lock-up operation (A/T TCC SIGNAL)	● A/T cannot perform lock-up even if electrical circuit is good.
P0745	1205	Line pressure solenoid valve (LINE PRESSURE S/V)	● A/T control unit detects an improper voltage drop when it tries to operate the solenoid valve.
P0750	1108	Shift solenoid valve A (SHIFT SOLENOID/V A)	● A/T control unit detects an improper voltage drop when it tries to operate the solenoid valve.
P0755	1201	Shift solenoid valve B (SHIFT SOLENOID/V B)	● A/T control unit detects an improper voltage drop when it tries to operate the solenoid valve.
P1705	1206	Throttle position sensor Throttle position switch (THRTL POSI SEN-A/T)	● A/T control unit receives an excessively low or high voltage from the sensor.
P1760	1203	Overrun clutch solenoid valve (OVERRUN CLUTCH S/V)	● A/T control unit detects an improper voltage drop when it tries to operate the solenoid valve.

*1: DRIVING pattern 1-6 means as follows:

- Pattern 1 should meet b and c.
- Pattern 2 should meet a and c.
- Pattern 3 should meet a through e.
- Pattern 4 should meet a and b.
- Pattern 5 should meet a through c.
- Pattern 6 should meet a through d.

*3: In Diagnostic Test Mode II (Self-diagnostic results)

*4: 1st trip DTC No. is the same as DTC No.

*5: Although "A/T 4TH SIGNAL OR TCC" is shown as a self-diagnostic result for P0734 with CONSULT, malfunction is present at 4th speed only.

a: Selector lever is in "D" position.

b: Vehicle speed is over 10 km/h (6 MPH).

c: Throttle opening is over 1/8.

d: Engine speed is over 450 rpm.

e: A/T fluid temperature is 20 - 120°C (68 - 248°F).

TROUBLE DIAGNOSIS — General Description

Diagnostic Trouble Code (DTC) Chart (Cont'd)

X: Applicable
—: Not applicable

Check Items (Possible Cause)	“DTC CONFIRMATION PROCEDURE” Quick Ref. *1	“OVERALL FUNCTION CHECK” Quick Ref. *2	Fail Safe System	MIL Illumination *8	Reference Page
<ul style="list-style-type: none"> ● Harness or connectors (The switch circuit is open or shorted.) ● Inhibitor switch 	DRIVING (pattern 1)	—	—	2 trip	AT-55
<ul style="list-style-type: none"> ● Harness or connectors (The sensor circuit is open or shorted.) ● A/T fluid temperature sensor 	DRIVING (pattern 6)	—	X	2 trip	AT-61
<ul style="list-style-type: none"> ● Harness or connectors (The sensor circuit is open or shorted.) ● Revolution sensor 	DRIVING (pattern 2)	—	X*7	2 trip*3	AT-64
<ul style="list-style-type: none"> ● Harness or connectors (The signal circuit is open or shorted.) 	DRIVING (pattern 5)	—	X*7	2 trip*3	AT-66
<ul style="list-style-type: none"> ● Shift solenoid valve A ● Shift solenoid valve B ● Overrun clutch solenoid valve ● Line pressure solenoid valve ● Each clutch ● Hydraulic control circuit 	DRIVING (pattern 3)	—	—	2 trip	AT-68
					AT-71
					AT-73
					AT-75
<ul style="list-style-type: none"> ● Harness or connectors (The solenoid circuit is open or shorted.) ● T/C clutch solenoid valve 	IGN: ON	—	X	2 trip	AT-80
<ul style="list-style-type: none"> ● T/C clutch solenoid valve ● Each clutch ● Hydraulic control circuit 	DRIVING (pattern 3)	—	—	2 trip	AT-83
<ul style="list-style-type: none"> ● Harness or connectors (The solenoid circuit is open or shorted.) ● Line pressure solenoid valve 	IGN: ON	—	X	2 trip	AT-88
<ul style="list-style-type: none"> ● Harness or connectors (The solenoid circuit is open or shorted.) ● Shift solenoid valve A 	IGN: ON	—	X*7	1 trip	AT-91
<ul style="list-style-type: none"> ● Harness or connectors (The solenoid circuit is open or shorted.) ● Shift solenoid valve B 	IGN: ON	—	X*7	1 trip	AT-94
<ul style="list-style-type: none"> ● Harness or connectors (The sensor circuit is open or shorted.) ● Throttle position sensor ● Throttle position switch 	DRIVING (pattern 4)	—	X*7	1 trip	AT-97
<ul style="list-style-type: none"> ● Harness or connectors (The solenoid circuit is open or shorted.) ● Overrun clutch solenoid valve 	IGN: ON	—	X	2 trip	AT-99

*1: ● This is Quick Reference of “DTC CONFIRMATION PROCEDURE”.

Details are described in each TROUBLE DIAGNOSIS FOR DTC PXXXX.

*2: ● The “OVERALL FUNCTION CHECK” is a simplified and effective way to inspect a component or circuit.

In some cases, the “OVERALL FUNCTION CHECK” is used rather than a “DIAGNOSTIC TROUBLE CODE CONFIRMATION PROCEDURE”.

When no DTC CONFIRMATION PROCEDURE is available, the “NG” result of the OVERALL FUNCTION CHECK can be considered to mean the same as a DTC detection.

● During an “NG” OVERALL FUNCTION CHECK, the DTC or 1st trip DTC might not be confirmed.

● This is Quick Reference of “OVERALL FUNCTION CHECK”.

Details are described in each TROUBLE DIAGNOSIS FOR DTC PXXXX.

*7: ● When the fail-safe operation occurs, the MIL illuminates immediately.

*8: ● The MIL illuminates after A/T control unit enters the fail-safe mode in two consecutive trips, if both the “Revolution sensor” and the “Engine speed signal” meet the fail-safe condition at the same time.

TROUBLE DIAGNOSIS — General Description

Symptom Chart

Reference page (AT-)	Reference page (AT-)	ON vehicle											OFF vehicle																					
		35, 134	134	64, 102, 66	123	91, 132	94, 88	99, 80	61, 132	132	132	142, 153	170, 174	176	176, 185	180, 189	193																	
		Fluid level	Control linkage	Inhibitor switch	Throttle position sensor (Adjustment)	Revolution sensor and speed sensor	Engine speed signal	Engine idling rpm	Line pressure	Control valve assembly	Shift solenoid valve A	Shift solenoid valve B	Line pressure solenoid valve	Torque converter clutch solenoid valve	Overrun clutch solenoid valve	A/T fluid temperature sensor	Accumulator N-D	Accumulator 1-2	Accumulator 2-3	Accumulator 3-4 (N-R)	Ignition switch and starter	Torque converter	Oil pump	Reverse clutch	High clutch	Forward clutch	Forward one-way clutch	Overrun clutch	Low one-way clutch	Low & reverse brake	Brake band	Parking components		
105	Engine does not start in "N", "P" positions.	2	3																	1														
105	Engine starts in position other than "N" and "P" positions.	1	2																															
—	Transmission noise in "P" and "N" positions.	1		3	4	5		2															7	6										
105	Vehicle moves when changing into "P" position or parking gear does not disengage when shifted out of "P" position.	1																															2	
106	Vehicle runs in "N" position.	1																							4		3		5					
108	Vehicle will not run in "R" position (but runs in "D", "2" and "1" positions). Clutch slips. Very poor acceleration.	1						2	4			3												5	6	7		8		9				
—	Vehicle braked when shifting into "R" position.	1	2					3	5			4													6	8		9			7			
—	Sharp shock in shifting from "N" to "D" position.			2		5	1	3	7			6			4	8										9								
—	Vehicle will not run in "D" and "2" positions (but runs in "1" and "R" positions).	1																											2					
109	Vehicle will not run in "D", "1", "2" positions (but runs in "R" position). Clutch slips. Very poor acceleration.	1						2	4			3				5								6	7	8	9		10					
—	Clutches or brakes slip somewhat in starting.	1	2		3			4	6			5				7				8			11	12	10		9				11			
—	Excessive creep.						1																											
108, 109	No creep at all.	1						2	3															5	5		4							
—	Failure to change gear from "D ₁ " to "D ₂ ".	2	1		5			4	3																							6		
—	Failure to change gear from "D ₂ " to "D ₃ ".	2	1		5			4	3																6							7		
—	Failure to change gear from "D ₃ " to "D ₄ ".	2	1		4			3					5																			6		
111, 112, 113	Too high a gear change point from "D ₁ " to "D ₂ ", from "D ₂ " to "D ₃ ", from "D ₃ " to "D ₄ ".			1	2				3	4																								
—	Gear change directly from "D ₁ " to "D ₃ " occurs.	1															2															3		
—	Engine stops when shifting lever into "R", "D", "2" and "1".						1	3				2												4										
—	Too sharp a shock in change from "D ₁ " to "D ₂ ".			1			2	4						5		3																6		
—	Too sharp a shock in change from "D ₂ " to "D ₃ ".			1			2	4									3									5						6		

TROUBLE DIAGNOSIS — General Description

Symptom Chart (Cont'd)

Reference page (AT-)	Reference page (AT-)	ON vehicle											OFF vehicle																				
		35, 134	134	64, 102, 66	123	91, 132	94, 88	99, 80	61, 132	132	132	142, 153	170, 174	176	176, 185	180, 189	193																
		Fluid level	Control linkage	Inhibitor switch	Throttle position sensor (Adjustment)	Revolution sensor and speed sensor	Engine speed signal	Engine idling rpm	Line pressure	Control valve assembly	Shift solenoid valve A	Shift solenoid valve B	Line pressure solenoid valve	Torque converter clutch solenoid valve	Overrun clutch solenoid valve	AT fluid temperature sensor	Accumulator N-D	Accumulator 1-2	Accumulator 2-3	Accumulator 3-4 (N-R)	Ignition switch and starter	Torque converter	Oil pump	Reverse clutch	High clutch	Forward clutch	Forward one-way clutch	Overrun clutch	Low one-way clutch	Low & reverse brake	Brake band	Parking components	
—	Too sharp a shock in change from "D ₃ " to "D ₄ ".	.	.	1	.	.	2	4	3	6	.	5	
—	Almost no shock or clutches slipping in change from "D ₁ " to "D ₂ ".	1	.	2	.	.	3	5	4	6	.	.	.	
—	Almost no shock or slipping in change from "D ₂ " to "D ₃ ".	1	.	2	.	.	3	5	4	6	.	.	.	7	.	.	.	
—	Almost no shock or slipping in change from "D ₃ " to "D ₄ ".	1	.	2	.	.	3	5	4	6	.	.	.	7	.	.	.	
—	Vehicle braked by gear change from "D ₁ " to "D ₂ ".	1	2	4	.	.	.	5	3	.	.	.	
—	Vehicle braked by gear change from "D ₂ " to "D ₃ ".	1	2	.	.	.
—	Vehicle braked by gear change from "D ₃ " to "D ₄ ".	1	4	.	.	3	2
—	Maximum speed not attained. Acceleration poor.	1	.	2	.	.	.	5	3	4	11	10	6	7	.	.	.	9	8	.	.	
—	Failure to change gear from "D ₄ " to "D ₃ ".	1	.	2	.	.	.	6	4	5	.	3	8	7	
—	Failure to change gear from "D ₃ " to "D ₂ " or from "D ₁ " to "D ₂ ".	1	.	2	.	.	.	5	3	4	6	.	.	.	7	.	.	.	
—	Failure to change gear from "D ₂ " to "D ₁ " or from "D ₃ " to "D ₁ ".	1	.	2	.	.	.	5	3	4	7	.	6	8	
—	Gear change shock felt during deceleration by releasing accelerator pedal.	.	.	1	.	.	2	4	.	.	.	3	
—	Too high a change point from "D ₄ " to "D ₃ ", from "D ₃ " to "D ₂ ", from "D ₂ " to "D ₁ ".	.	.	1	2
—	Kickdown does not operate when depressing pedal in "D ₄ " within kickdown vehicle speed.	.	.	1	2	.	.	.	3	4	
—	Kickdown operates or engine overruns when depressing pedal in "D ₄ " beyond kickdown vehicle speed limit.	.	.	2	1	.	.	.	3	4	
—	Races extremely fast or slips in changing from "D ₄ " to "D ₃ " when depressing pedal.	1	.	2	.	.	3	5	.	4	6	7	
—	Races extremely fast or slips in changing from "D ₄ " to "D ₂ " when depressing pedal.	1	.	2	.	.	3	6	5	4	8	.	.	7	.	.	.	
—	Races extremely fast or slips in changing from "D ₃ " to "D ₂ " when depressing pedal.	1	.	2	.	.	3	5	.	4	.	.	6	.	7	10	9	.	.	8	.	.	.	
—	Races extremely fast or slips in changing from "D ₄ " or "D ₃ " to "D ₁ " when depressing pedal.	1	.	2	.	.	3	5	.	4	6	7	8	
—	Vehicle will not run in any position.	1	2	.	.	.	3	.	.	4	9	5	6	.	.	.	8	7	10	.	.	
—	Transmission noise in "D", "2", "1" and "R" positions.	1	2	

CI
 MA
 EM
 LC
 EC
 FE
 CL
 MT
AT
 TF
 PD
 FA
 RA
 BR
 ST
 PS
 BT
 HA
 EL

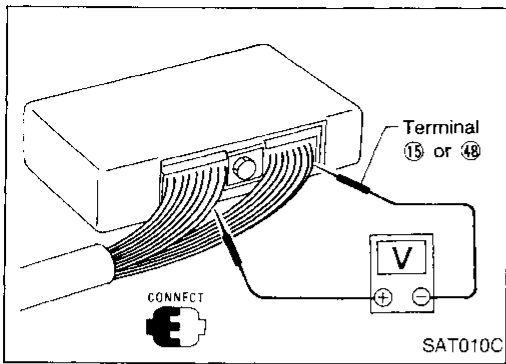
IDX

TROUBLE DIAGNOSIS — General Description

Symptom Chart (Cont'd)

		ON vehicle										OFF vehicle																									
—	Reference page (AT-)	35, 134	134	64, 102, 66	123	91, 132	94, 88	99, 80	61, 132	132	132	142, 153	170, 174	176	176, 185	180, 189	193																				
Reference page (AT-)	Numbers are arranged in order of probability. Perform inspections starting with number one and work up. Circled numbers indicate that the transmission must be removed from the vehicle.	Fluid level	Control linkage	Inhibitor switch	Throttle position sensor (Adjustment)	Revolution sensor and speed sensor	Engine speed signal	Engine idling rpm	Line pressure	Control valve assembly	Shift solenoid valve A	Shift solenoid valve B	Line pressure solenoid valve	Torque converter clutch solenoid valve	Overrun clutch solenoid valve	A/T fluid temperature sensor	Accumulator N-D	Accumulator 1-2	Accumulator 2-3	Accumulator 3-4 (N-R)	Ignition switch and starter	Torque converter	Oil pump	Reverse clutch	High clutch	Forward clutch	Forward one-way clutch	Overrun clutch	Low one-way clutch	Low & reverse brake	Brake band	Parking components					
116	Failure to change from "D ₃ " to "2" when changing lever into "2" position.	7	1	2					6	5	4		3																								
—	Gear change from "2 ₂ " to "2 ₃ " in "2" position.		1																																		
117	Engine brake does not operate in "1" position.	2	1	3	4				6	5			7														8		9								
—	Gear change from "1 ₁ " to "1 ₂ " in "1" position.	2	1																																		
—	Does not change from "1 ₂ " to "1 ₁ " in "1" position.		1	2					4	3			5														6		7								
—	Large shock changing from "1 ₂ " to "1 ₁ " in "1" position.								1																					2							
—	Transmission overheats.	1		3		2	4	6		5												11	7	8	9	10	12		13	14	15						
—	ATF shoots out during operation. White smoke emitted from exhaust pipe during operation.	1																						2	3	5	6		7	4							
—	Offensive smell at fluid charging pipe.	1																					2	3	4	5	7	8		9	6						
—	Torque converter is not locked up.		3	1	2	4		6	8			7	5									9															
—	Torque converter clutch piston slip.	1		2		3	6		5	4												7															
114	Lock-up point is extremely high or low.			1	2			4				3																									
—	A/T does not shift to "D ₄ " when driving with overdrive control switch "ON".		2	1	3		8	6	4			5	7																								
—	Engine is stopped at "R", "D", "2" and "1" positions.	1						5	4	3		2																									

TROUBLE DIAGNOSIS — General Description

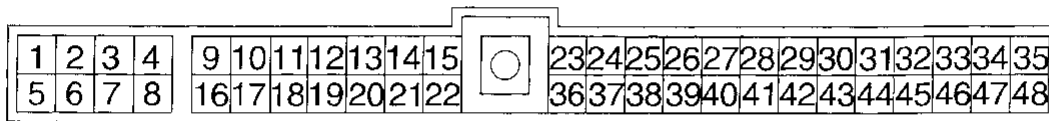


A/T Control Unit Terminals and Reference Value

PREPARATION

- Measure voltage between each terminal and terminal 15 or 48 by following "A/T CONTROL UNIT INSPECTION TABLE".

A/T CONTROL UNIT HARNESS CONNECTOR TERMINAL LAYOUT



SAT2071

A/T CONTROL UNIT INSPECTION TABLE

(Data are reference values.)

Terminal No.	Item	Condition	Judgement standard
1	Line pressure solenoid valve	When releasing accelerator pedal after warming up engine.	1.5 - 2.5V
		When depressing accelerator pedal fully after warming up engine.	0.5V or less
2	Line pressure solenoid valve (with dropping resistor)	When releasing accelerator pedal after warming up engine.	5 - 14V
		When depressing accelerator pedal fully after warming up engine.	0.5V or less
3	O/D OFF indicator lamp	When setting overdrive control switch in "OFF" position.	1V or less
		When setting overdrive control switch in "ON" position.	Battery voltage
4	Power source	When turning ignition switch to "ON".	Battery voltage
		When turning ignition switch to "OFF".	1V or less

TROUBLE DIAGNOSIS — General Description

A/T Control Unit Terminals and Reference Value (Cont'd)

Terminal No.	Item	Condition	Judgement standard
5	Torque converter clutch solenoid valve	When A/T performs lock-up.	8 - 15V
		When A/T does not perform lock-up.	1V or less
6	Shift solenoid valve A	When shift solenoid valve A operates. (When driving in "D ₁ " or "D ₄ ".)	Battery voltage
		When shift solenoid valve A does not operate. (When driving in "D ₂ " or "D ₃ ".)	1V or less
7	Shift solenoid valve B	When shift solenoid valve B operates. (When driving in "D ₁ " or "D ₂ ".)	Battery voltage
		When shift solenoid valve B does not operate. (When driving in "D ₃ " or "D ₄ ".)	1V or less
8	Overrun clutch solenoid valve	When overrun clutch solenoid valve operates.	Battery voltage
		When overrun clutch solenoid valve does not operate.	1V or less
9	Power source	Same as No. 4	
10*	DT1	—	—
11*	DT2	—	—
12*	DT3	—	—
13*	"N" position signal	When setting selector lever to "N" or "P" position.	1V or less
		When setting selector lever to other positions.	Approximately 5V
14	Closed throttle position switch (in throttle position switch)	When releasing accelerator pedal after warming up engine.	Battery voltage
		When depressing accelerator pedal after warming up engine.	1V or less
15	Ground	—	—
16	Inhibitor "1" position switch	When setting selector lever to "1" position.	Battery voltage
		When setting selector lever to other positions.	1V or less
17	Inhibitor "2" position switch	When setting selector lever to "2" position.	Battery voltage
		When setting selector lever to other positions.	1V or less
18	Inhibitor "D" position switch	When setting selector lever to "D" position.	Battery voltage
		When setting selector lever to other positions.	1V or less

*: These terminals are connected to the ECM (ECCS control module).

TROUBLE DIAGNOSIS — General Description









A/T Control Unit Terminals and Reference Value (Cont'd)

Terminal No.	Item	Condition	Judgement standard
19	Inhibitor "N" or "P" position switch	When setting selector lever to "N" or "P" position.	Battery voltage
		When setting selector lever to other positions.	1V or less
20	Inhibitor "R" position switch	When setting selector lever to "R" position.	Battery voltage
		When setting selector lever to other positions.	1V or less
21	Wide open throttle position switch (in throttle position switch)	When depressing accelerator pedal more than half-way after warming up engine.	Battery voltage
		When releasing accelerator pedal after warming up engine.	1V or less
22	—	—	—
23	Power source (Back-up)	When turning ignition switch to "OFF".	Battery voltage
		When turning ignition switch to "ON".	Battery voltage
24	Engine speed signal	When engine runs at idle speed.	0.6V
		When engine runs at 4,000 rpm.	Approximately 2.2V
25	Revolution sensor (Measure in AC range)	When vehicle cruises at 30 km/h (19 MPH).	1V or more Voltage rises gradually in response to vehicle speed.
		When vehicle parks.	0V
26	—	—	—
27	Vehicle speed sensor	When moving vehicle at 2 to 3 km/h (1 to 2 MPH) for 1 m (3 ft) or more.	Voltage varies between less than 1V and more than 4.5V
28*	—	—	—
29*	—	—	—
30*	—	—	—
31	Throttle position sensor (Power source)	—	4.5 - 5.5V
32	—	—	—

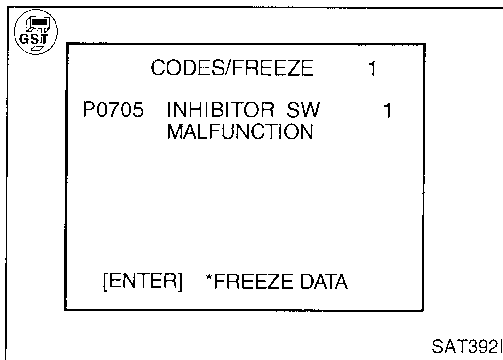
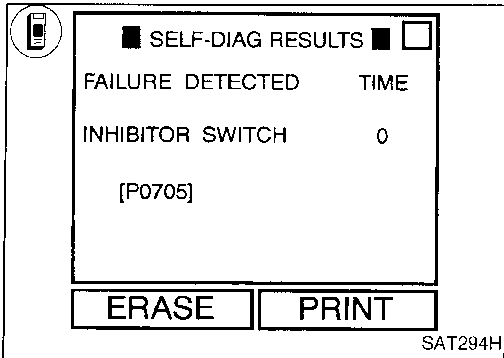
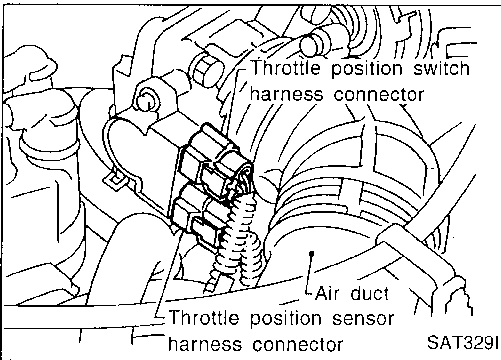
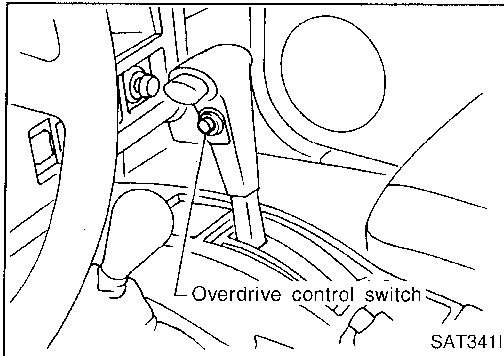
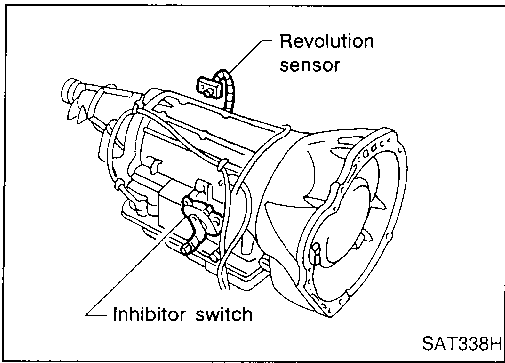
*: These terminals are connected to the Data link connector for CONSULT.

TROUBLE DIAGNOSIS — General Description

A/T Control Unit Terminals and Reference Value (Cont'd)

Terminal No.	Item	Condition		Judgement standard
33	A/T fluid temperature sensor		When ATF temperature is 20°C (68°F).	Approximately 1.5V
			When ATF temperature is 80°C (176°F).	Approximately 0.5V
34	Throttle position sensor		When depressing accelerator pedal slowly after warming up engine. (Voltage rises gradually in response to throttle position.)	Fully-closed throttle: Approximately 0.5V Fully-open throttle: Approximately 4V
35	Throttle position sensor (Ground)		—	—
36	—		—	—
37	ASCD cruise signal		When ASCD cruise is being performed. ("CRUISE" light comes on.)	Battery voltage
			When ASCD cruise is not being performed. ("CRUISE" light does not come on.)	1V or less
38	—	—	—	—
39	Overdrive control switch	 	When setting overdrive control switch in "ON" position	Battery voltage
			When setting overdrive control switch in "OFF" position	1V or less
40	ASCD OD cut signal		When "ACCEL" set switch on ASCD cruise is released.	5 - 8V
			When "ACCEL" set switch on ASCD cruise is applied.	1V or less
41	—		—	—
42	—		—	—
43	—		—	—
44	—		—	—
45*	OBD-II		—	—
46	—		—	—
47	—		—	—
48	Ground		—	—

* This terminal is connected to the ECM (ECCS control module).



Inhibitor, Overdrive Control and Throttle Position Switches

DESCRIPTION

- Inhibitor switch
Detects the selector lever position and sends a signal to the A/T control unit.
- Overdrive control switch
Detects the overdrive control switch position (ON or OFF) and sends a signal to the A/T control unit.
- Throttle position switch
Consists of a wide-open throttle position switch and a closed throttle position switch.
The wide-open position switch sends a signal to the A/T control unit when the throttle valve is open at least 1/2 of the full throttle position. The closed throttle position switch sends a signal to the A/T control unit when the throttle valve is fully closed.

Diagnostic trouble code	Malfunction is detected when ...	Check item (Possible cause)
: INHIBITOR SWITCH	A/T control unit does not receive the correct voltage signal from the switch based on the gear position.	<ul style="list-style-type: none"> ● Harness or connectors (The inhibitor switch circuit is open or shorted.) ● Inhibitor switch
: P0705		
: MIL Code No. 1101		

Diagnostic trouble code (DTC) confirmation procedure

After the repair, perform the following procedure to confirm the malfunction is eliminated.

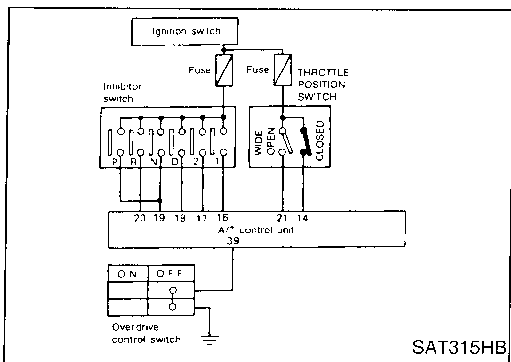
- 1) Start engine.
- 2) Select "SELF-DIAG RESULTS" mode for ECM with CONSULT.
- 3) Drive vehicle under the following conditions:
Selector lever in "D", overdrive control switch in "OFF" position, vehicle speed higher than 10 km/h (6 MPH), throttle opening greater than 1/2 of the full throttle position and driving for more than 5 seconds.
- OR

- 1) Start engine.
- 2) Drive vehicle under the following conditions:
Selector lever in "D", overdrive control switch in "OFF" position, vehicle speed higher than 10 km/h (6 MPH), throttle opening greater than 1/2 of the full throttle position and driving for more than 5 seconds.
- 3) Select "MODE 7" with GST.
- OR

- 1) Start engine.
- 2) Drive vehicle under the following conditions:
Selector lever in "D", overdrive control switch in "OFF" position, vehicle speed higher than 10 km/h (6 MPH), throttle opening greater than 1/2 of the full throttle position and driving for more than 5 seconds.
- 3) Perform self-diagnosis for ECM.
Refer to EC section ["Malfunction Indicator Lamp (MIL)", "ON BOARD DIAGNOSTIC SYSTEM DESCRIPTION"].

TROUBLE DIAGNOSIS FOR DTC P0705

Inhibitor, Overdrive Control and Throttle Position Switches (Cont'd)

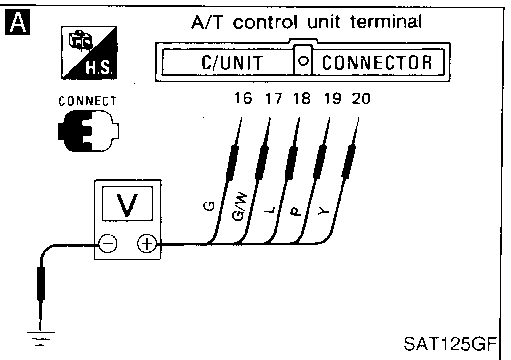


A

☆ MONITOR	☆ NO FAIL	
R POSITION SW	OFF	
D POSITION SW	OFF	
4 POSITION SW	OFF	
3 POSITION SW	OFF	
2 POSITION SW	OFF	
1 POSITION SW	OFF	
ASCD•CRUISE	OFF	
ASCD•OD CUT	OFF	
KICKDOWN SW	OFF	

RECORD

SAT118G



A

CHECK INHIBITOR SWITCH CIRCUIT.



1. Turn ignition switch to "ON" position. (Do not start engine.)
2. Select "ECU INPUT SIGNALS" in Data Monitor.
3. Read out "R, N, D, 1 and 2 position switches" moving selector lever to each position. Check the signal of the selector lever position is indicated properly.

NG

Check the following items:

- Inhibitor switch
Refer to "Component Inspection", AT-59.
- Harness for short or open between ignition switch and inhibitor switch (Main harness)
- Harness for short or open between inhibitor switch and A/T control unit (Main harness)

OR



1. Turn ignition switch to "ON" position. (Do not start engine.)
2. Check voltage between A/T control unit terminals ⑰, ⑱, ⑲, ⑳, ㉑ and ground while moving selector lever through each position.

Voltage:

B: Battery voltage

0: 0V

Lever position	Terminal No.				
	⑰	⑱	⑲	⑳	㉑
P, N	B	0	0	0	0
R	0	B	0	0	0
D	0	0	B	0	0
2	0	0	0	B	0
1	0	0	0	0	B

OK

A

(Go to next page.)

TROUBLE DIAGNOSIS FOR DTC P0705

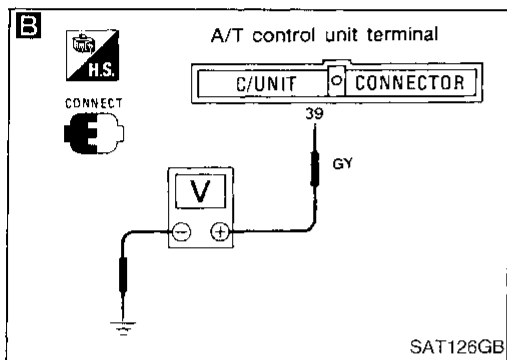
Inhibitor, Overdrive Control and Throttle Position Switches (Cont'd)

B

☆ MONITOR	☆ NO FAIL	<input type="checkbox"/>
VHCL/S SE-A/T	0km/h	
VHCL/S SE-MTR	5km/h	
THRTL POS SEN	0.4V	
FLUID TEMP SE	1.2V	
BATTERY VOLT	13.4V	
ENGINE SPEED	1024rpm	
OVERDRIVE SW	O N	
P/N POSI SW	O N	
R POSITION SW	OFF	

RECORD

SAT076H



B

CHECK OVERDRIVE CONTROL SWITCH CIRCUIT.

1. Turn ignition switch to "ON" position. (Do not start engine.)

2. Select "ECU INPUT SIGNALS" in Data Monitor.

3. Read out "OVERDRIVE SWITCH".

Check the signal of the overdrive control switch is indicated properly. (Overdrive control switch "ON" displayed on CONSULT means overdrive "OFF".)

OR

1. Turn ignition switch to "ON" position. (Do not start engine.)

2. Check voltage between A/T control unit terminal ③ and ground when overdrive control switch is "ON" and "OFF".

Switch position	Voltage
ON	Battery voltage
OFF	1V or less

NG

Check the following items.

- Overdrive control switch Refer to "Component Inspection", AT-59.
- Harness for short or open between A/T control unit and overdrive control switch (Main harness)
- Harness for short or open of ground circuit for overdrive control switch (Main harness)

OK

B

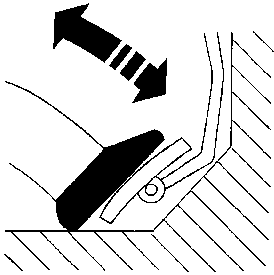
(Go to next page.)

GI
MA
EM
LC
EC
FE
CL
MT
AT
TF
PD
FA
RA
BR
ST
RS
BT
HA
EL
IDX

TROUBLE DIAGNOSIS FOR DTC P0705

Inhibitor, Overdrive Control and Throttle Position Switches (Cont'd)

C

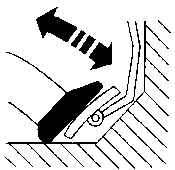
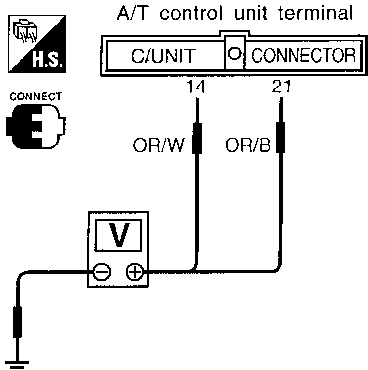


☆ MONITOR	☆ NO FAIL	⏏
POWERSHIFT SW	OFF	
CLOSED THL/SW	ON	
W/O THRL/P-SW	OFF	
HOLD SW	OFF	

RECORD

SAT052I

C

A/T control unit terminal

C/UNIT CONNECTOR

14 OR/W 21 OR/B

V

SAT964HG

C

CHECK THROTTLE POSITION SWITCH CIRCUIT.

1. Turn ignition switch to "ON" position. (Do not start engine.)

2. Select "ECU INPUT SIGNALS" in Data Monitor.

3. Read out "CLOSED THL/SW" and "W/O THRL/P-SW" depressing and releasing accelerator pedal.

Check the signal of throttle position switch is indicated properly.

Accelerator pedal condition	Data monitor	
	CLOSED THL/SW	W/O THRL/P-SW
Released	ON	OFF
Fully depressed	OFF	ON

OR

1. Turn ignition switch to "ON" position. (Do not start engine.)

2. Check voltage between A/T control unit terminals ⑭, ⑳ and ground while depressing, and releasing accelerator pedal slowly. (after warming up engine)

Accelerator pedal condition	Voltage	
	Terminal No. ⑭	Terminal No. ⑳
Released	Battery voltage	1V or less
Fully depressed	1V or less	Battery voltage

OK

Perform Diagnostic Trouble Code (DTC) confirmation procedure, AT-55.

OK

INSPECTION END

NG

Check the following items:

- Throttle position switch Refer to "Component Inspection", AT-60.
- Harness for short or open between ignition switch and throttle position switch (Main harness)
- Harness for short or open between throttle position switch and A/T control unit (Main harness)

NG

1. Perform A/T control unit input/output signal inspection.
2. If NG, recheck A/T control unit pin terminals for damage or loose connection with harness connector.

TROUBLE DIAGNOSIS FOR DTC P0705

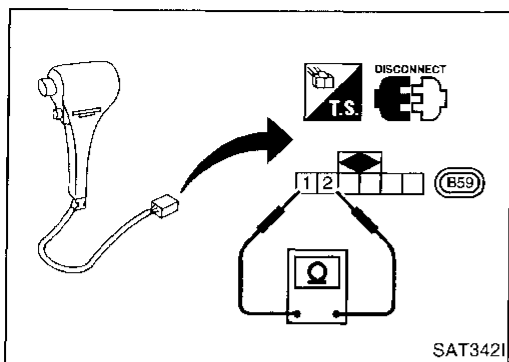
Inhibitor, Overdrive Control and Throttle Position Switches (Cont'd)

COMPONENT INSPECTION

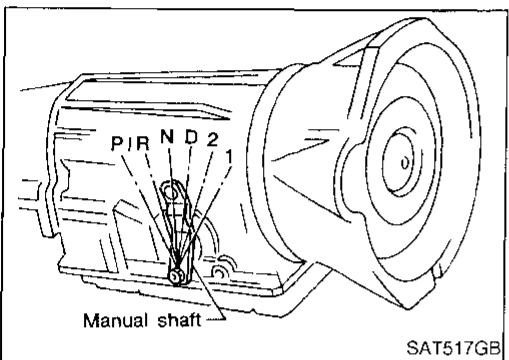
Overdrive control switch

- Check continuity between two terminals.

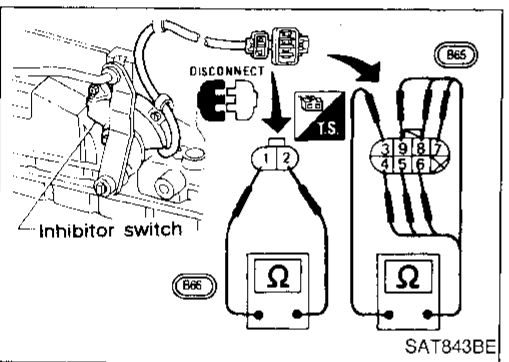
Switch position	Continuity
ON	No
OFF	Yes



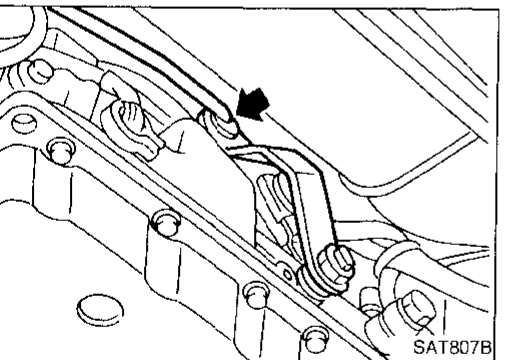
SAT342I



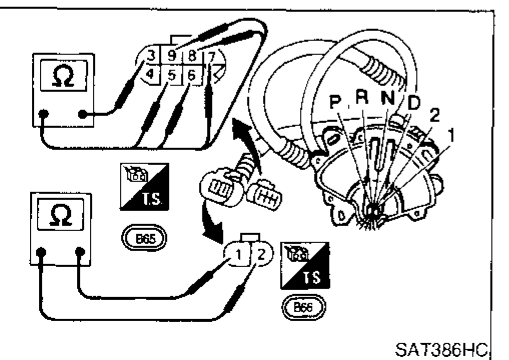
SAT517GB



SAT843BE



SAT807B



SAT386HC

Inhibitor switch

1. Check continuity between terminals ① and ② and between terminals ③ and ④, ⑤, ⑥, ⑦, ⑧, ⑨ while moving manual shaft through each position.

Lever position	Terminal No.	
P	① — ②	③ — ④
R	③ — ⑤	
N	① — ②	③ — ⑥
D	③ — ⑦	
2	③ — ⑧	
1	③ — ⑨	

2. If NG, check again with manual control linkage disconnected from manual shaft of A/T assembly. Refer to step 1.
3. If OK on step 2, adjust manual control linkage. Refer to AT-134.
4. If NG on step 2, remove inhibitor switch from A/T and check continuity of inhibitor switch terminals. Refer to step 1.
5. If OK on step 4, adjust inhibitor switch. Refer to AT-134.
6. If NG on step 4, replace inhibitor switch.

GI
MA
EM
LC
EC
FE
CL
MT
AT
TF
PD
FA
RA
BR
ST
RS
BT
HA
EL
IDX

TROUBLE DIAGNOSIS FOR DTC P0705

Inhibitor, Overdrive Control and Throttle Position Switches (Cont'd)

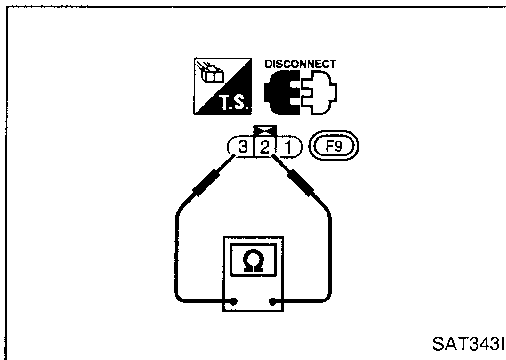
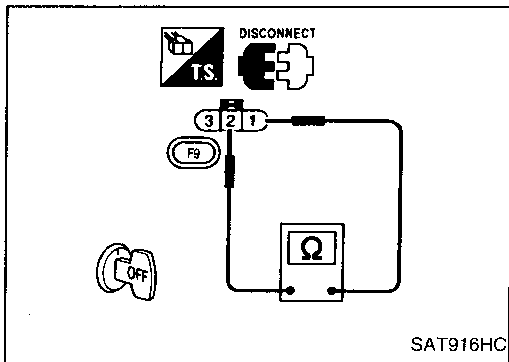
Throttle position switch

Closed throttle position switch (idle position)

- Check continuity between terminals ① and ② .

Accelerator pedal condition	Continuity
Released	Yes
Depressed	No

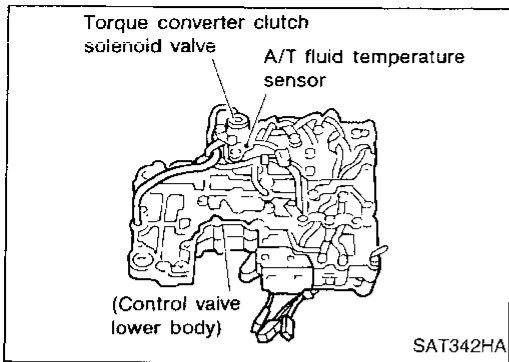
- To adjust closed throttle position switch, refer to EC section ("Basic Inspection", "TROUBLE DIAGNOSIS — Basic Inspection").



Wide open throttle position switch

- Check continuity between terminals ② and ③ .

Accelerator pedal condition	Continuity
Released	No
Depressed	Yes

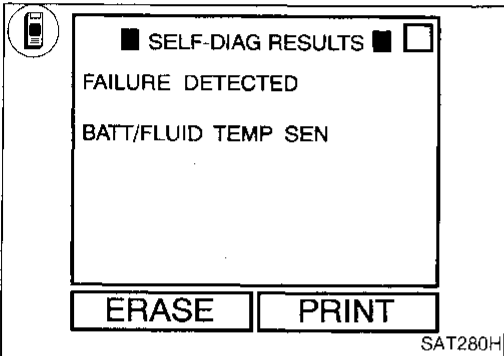


A/T Fluid Temperature Sensor Circuit and A/T Control Unit Power Source

DESCRIPTION

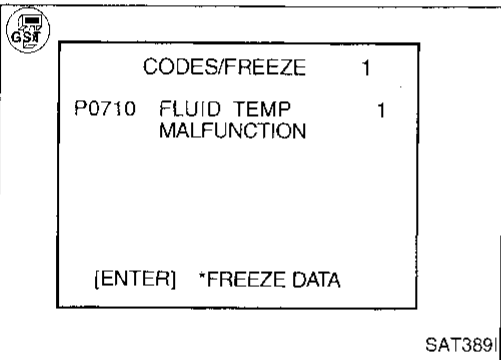
The A/T fluid temperature sensor detects the A/T fluid temperature and sends a signal to the A/T control unit.

Diagnostic trouble code	Malfunction is detected when ...	Check item (Possible cause)
: BATT/FLUID TEMP	A/T control unit receives an excessively low or high voltage from the sensor.	<ul style="list-style-type: none"> • Harness or connectors (The sensor circuit is open or shorted.) • A/T fluid temperature sensor
: P0710		
: 8th judgement flicker		



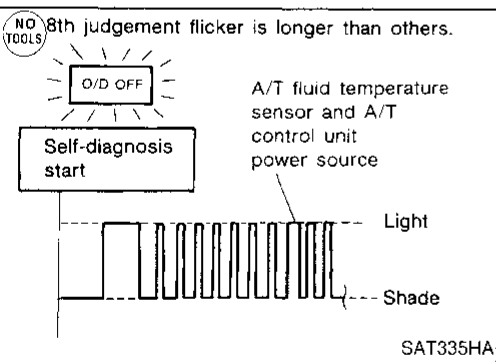
Diagnostic Trouble Code (DTC) confirmation procedure

After the repair, perform the following procedure to confirm the malfunction is eliminated.



- 1) Start engine.
 2) Select "SELF-DIAG RESULTS" mode with CONSULT.
 3) Drive vehicle under the following conditions:
 Selector lever in "D", vehicle speed higher than 10 km/h (6 MPH), throttle opening greater than 1/8 of the full open position, engine speed higher than 450 rpm and driving for more than 10 minutes.

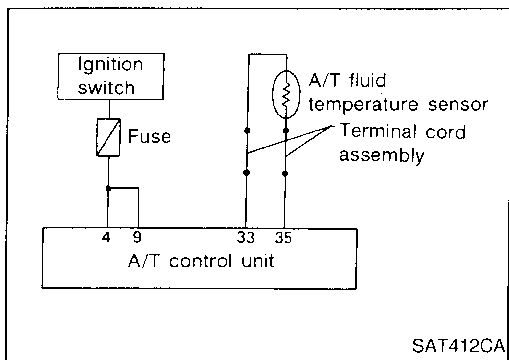
- OR
- 1) Start engine.
 2) Drive vehicle under the following conditions:
 Selector lever in "D", vehicle speed higher than 10 km/h (6 MPH), throttle opening greater than 1/8 of the full open position, engine speed higher than 450 rpm and driving for more than 10 minutes.
 3) Select "MODE 7" with GST.



- OR
- 1) Start engine.
 2) Drive vehicle under the following conditions:
 Selector lever in "D", vehicle speed higher than 10 km/h (6 MPH), throttle opening greater than 1/8 of the full open position, engine speed higher than 450 rpm and driving for more than 10 minutes.
 3) Perform self-diagnosis.
 Refer to SELF-DIAGNOSTIC PROCEDURE (No Tools), AT-23.

TROUBLE DIAGNOSIS FOR DTC P0710

A/T Fluid Temperature Sensor Circuit and A/T Control Unit Power Source (Cont'd)



A

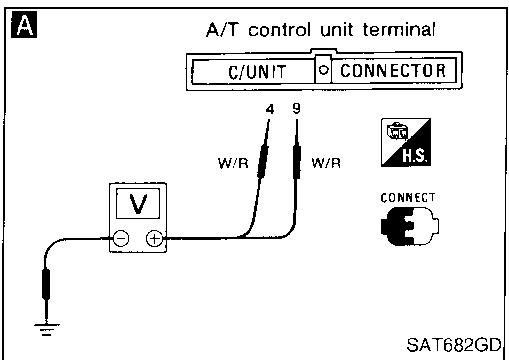
CHECK A/T CONTROL UNIT POWER SOURCE.

1. Turn ignition switch to "ON" position. (Do not start engine.)
2. Check voltage between A/T control unit terminals ④, ⑨ and ground. **Battery voltage should exist.**

NG →

Check the following items:

- Harness for short or open between ignition switch and A/T control unit (Main harness)
- Ignition switch and fuse Refer to EL section ("POWER SUPPLY ROUTING").



OK ↓

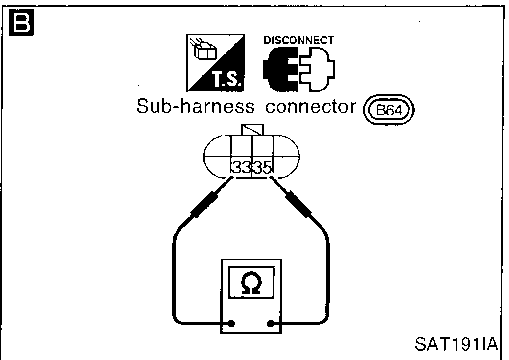
B

CHECK A/T FLUID TEMPERATURE SENSOR WITH TERMINAL CORD ASSEMBLY.

1. Turn ignition switch to "OFF" position.
2. Disconnect terminal cord assembly connector in engine compartment.
3. Check resistance between terminals ③③ and ③⑤ when A/T is cold. **Resistance: Cold [20°C (68°F)] Approximately 2.5 kΩ**
4. Reinstall any part removed.

NG →

1. Remove oil pan.
2. Check the following items:
 - A/T fluid temperature sensor Refer to "Component Inspection" on next page.
 - Harness of terminal cord assembly for short or open



OK ↓

Ⓐ

(Go to next page.)

TROUBLE DIAGNOSIS FOR DTC P0710

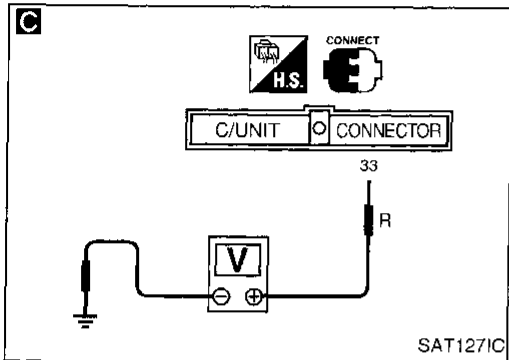
A/T Fluid Temperature Sensor Circuit and A/T Control Unit Power Source (Cont'd)

C

☆ MONITOR	☆ NO FAIL	
VHCL/S SE•A/T	0km/h	
VHCL/S SE•MTR	5km/h	
THRTL POS SEN	0.4V	
FLUID TEMP SE	1.2V	
BATTERY VOLT	13.4V	
ENGINE SPEED	1024rpm	
OVERDRIVE SW	O N	
P/N POSI SW	O N	
R POSITION SW	OFF	

RECORD

SAT076H



C

CHECK INPUT SIGNAL OF A/T FLUID TEMPERATURE SENSOR.

- Start engine.
- Select "ECU INPUT SIGNALS" in Data Monitor.
- Read out the value of "FLUID TEMP SE".

Voltage:
 Cold [20°C (68°F)] →
 Hot [80°C (176°F)]:
 Approximately 1.5V → 0.5V

OR

- Start engine.
- Check voltage between A/T control unit terminal 33 and ground while warming up A/T.

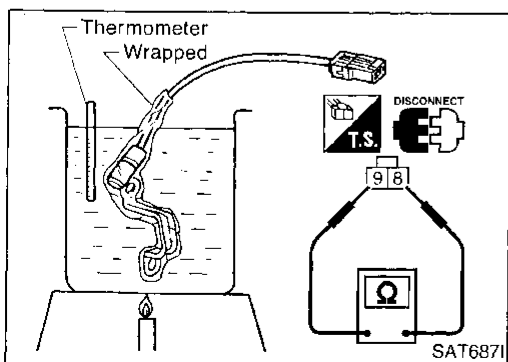
Voltage:
 Cold [20°C (68°F)] →
 Hot [80°C (176°F)]:
 Approximately 1.5V → 0.5V

NG → Check the following item:
 • Harness for short or open between A/T control unit and terminal cord assembly (Main harness)

OK → Perform Diagnostic Trouble Code (DTC) confirmation procedure, AT-61.

NG → 1. Perform A/T control unit input/output signal inspection.
 2. If NG, recheck A/T control unit pin terminals for damage or loose connection with harness connector.

INSPECTION END



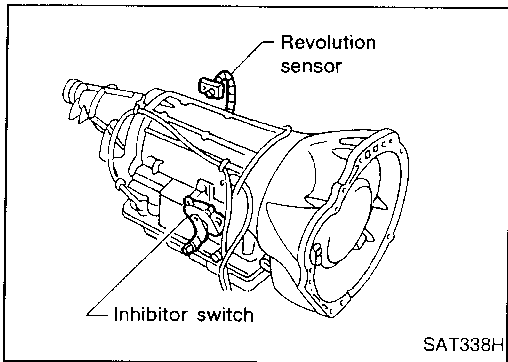
COMPONENT INSPECTION

A/T fluid temperature sensor

- For removal, refer to AT-132.
- Check resistance between two terminals while changing temperature as shown at left.

Temperature °C (°F)	Resistance
20 (68)	Approximately 2.5 kΩ
80 (176)	Approximately 0.3 kΩ




GI
MA
EM
LC
EC
FE
CL
MT
AT
TF
PD
FA
RA
BR
ST
RS
BT
HA
EL
IDX

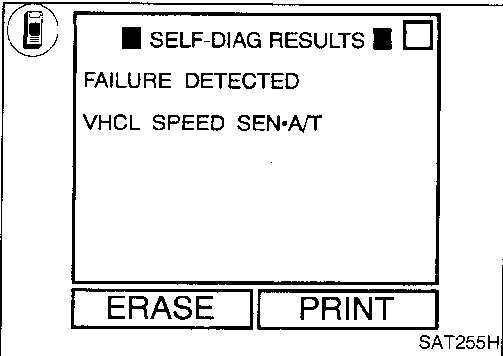


Vehicle Speed Sensor-A/T (Revolution sensor)

DESCRIPTION


The revolution sensor detects the revolution of the out put shaft parking pawl lock gear and emits a pulse signal. The pulse signal is sent to the A/T control unit which converts it into vehicle speed.

Diagnostic trouble code	Malfunction is detected when ...	Check item (Possible cause)
 : VHCL SPEED SEN-A/T  : P0720  : 1st judgement flicker	A/T control unit does not receive the proper voltage signal from the sensor.	<ul style="list-style-type: none"> ● Harness or connectors (The sensor circuit is open or shorted.) ● Revolution sensor




Diagnostic Trouble Code (DTC) confirmation procedure


After the repair, perform the following procedure to confirm the malfunction is eliminated.

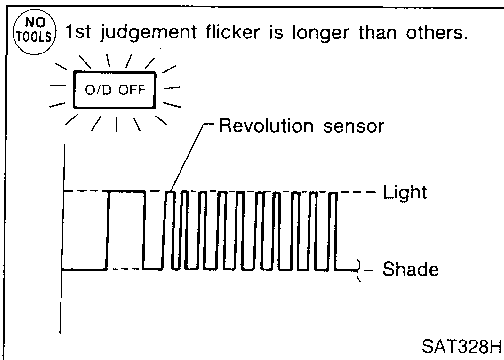
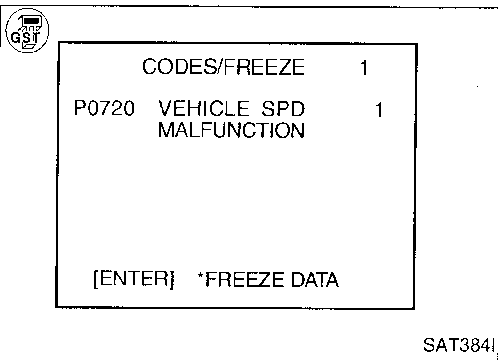
-  1) Start engine.
 2) Select "SELF-DIAG RESULTS" mode with CONSULT.
 3) Drive vehicle under the following conditions:
 Selector lever in "D", vehicle speed higher than 30 km/h (19 MPH), throttle opening greater than 1/8 of the full throttle position and driving for more than 5 seconds.

OR

-  1) Start engine.
 2) Drive vehicle under the following conditions:
 Selector lever in "D", vehicle speed higher than 30 km/h (19 MPH), throttle opening greater than 1/8 of the full throttle position and driving for more than 5 seconds.
 3) Select "MODE 7" with GST.

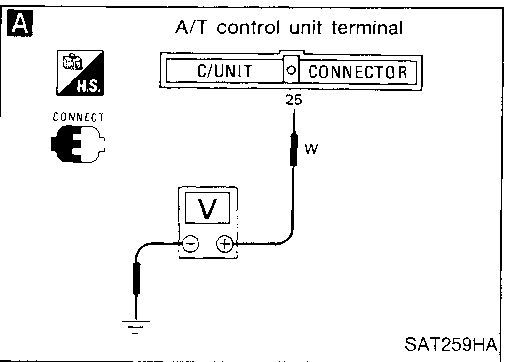
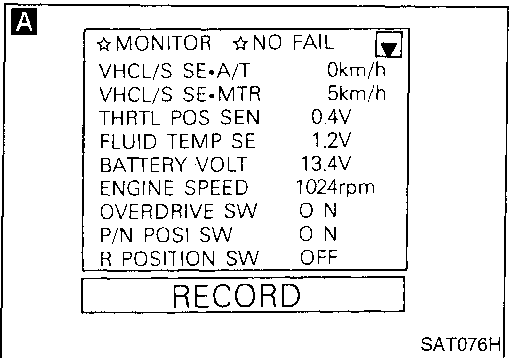
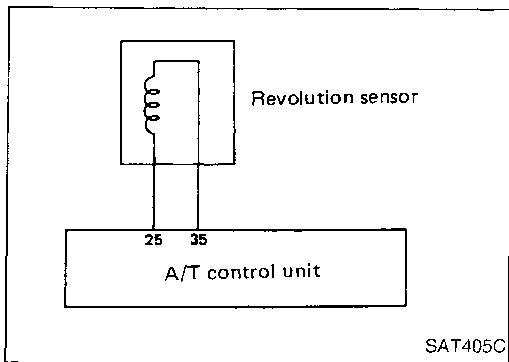
OR

-  1) Start engine.
 2) Drive vehicle under the following conditions:
 Selector lever in "D", vehicle speed higher than 30 km/h (19 MPH), throttle opening greater than 1/8 of the full throttle position and driving for more than 5 seconds.
 3) Perform self-diagnosis.
 Refer to SELF-DIAGNOSTIC PROCEDURE (No Tools), AT-23.



TROUBLE DIAGNOSIS FOR DTC P0720

Vehicle Speed Sensor-A/T (Revolution sensor) (Cont'd)



CHECK REVOLUTION SENSOR.
Refer to "Component Inspection" below.

OK → [Next Step]

CHECK INPUT SIGNAL.

- Start engine.
- Select "ECU INPUT SIGNALS" in Data Monitor.
- Read out the value of "VHCL/S SE-A/T" while driving. Check the value changes according to driving speed.

OR

- Start engine.
- Check voltage between A/T control unit terminal 25 and ground while driving. (Measure with AC range.)

Voltage:
At 0 km/h (0 MPH): 0V
At 30 km/h (19 MPH): 1V or more
(Voltage rises gradually in response to vehicle speed.)

NG → Repair or replace revolution sensor.

Check the following items:

- Harness for short or open between A/T control unit and revolution sensor (Main harness)
- Harness for short or open between revolution sensor and ECM (Main harness)
- Ground circuit for ECM Refer to EC section ("TROUBLE DIAGNOSIS FOR POWER SUPPLY").

OK → Perform Diagnostic Trouble Code (DTC) confirmation procedure, AT-64.

OK → **INSPECTION END**

NG →

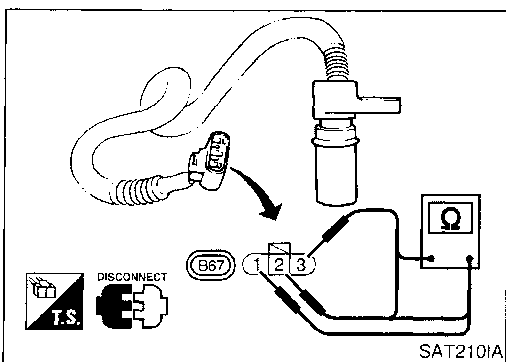
- Perform A/T control unit input/output signal inspection.
- If NG, recheck A/T control unit pin terminals for damage or loose connection with harness connector.

COMPONENT INSPECTION

Revolution sensor

- For removal, refer to AT-132.
- Check resistance between terminals ①, ② and ③.

Terminal No.		Resistance
①	②	500 - 650Ω
②	③	No continuity
①	③	No continuity






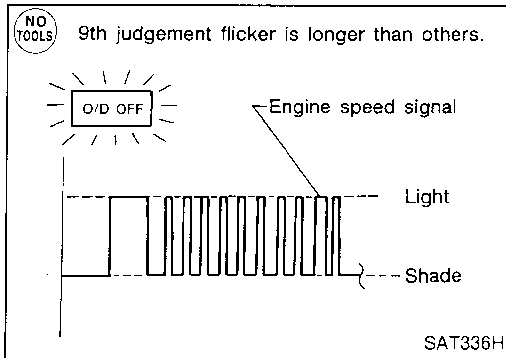
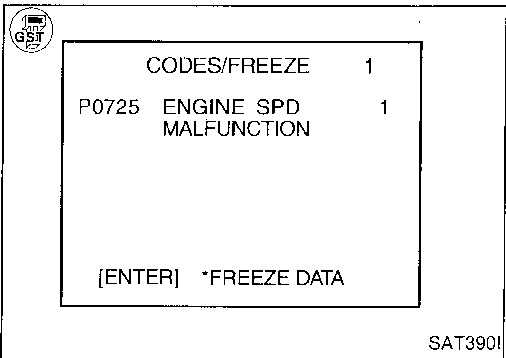
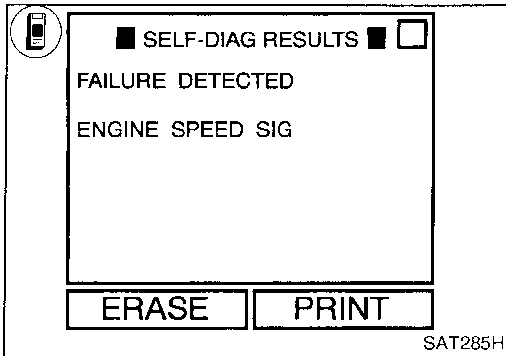
CI
MA
EM
LC
EC
FE
CL
MT
AT
TF
PD
FA
RA
BR
ST
RS
BT
HA
EL
IDX

Engine Speed Signal

DESCRIPTION


The engine speed signal is sent from the ECM to the A/T control unit.

Diagnostic trouble code	Malfunction is detected when ...	Check item (Possible cause)
 : ENGINE SPEED SIG  : P0725  : 9th judgement flicker	A/T control unit does not receive the proper voltage signal from ECM.	<ul style="list-style-type: none"> Harness or connectors (The sensor circuit is open or shorted.)




Diagnostic Trouble Code (DTC) confirmation procedure


After the repair, perform the following procedure to confirm the malfunction is eliminated.

-  1) Start engine.
 2) Select "SELF-DIAG RESULTS" mode with CONSULT.
 3) Drive vehicle under the following conditions:
 Selector lever in "D", vehicle speed higher than 10 km/h (6 MPH), throttle opening greater than 1/8 of the full throttle position and driving for more than 10 seconds.

OR

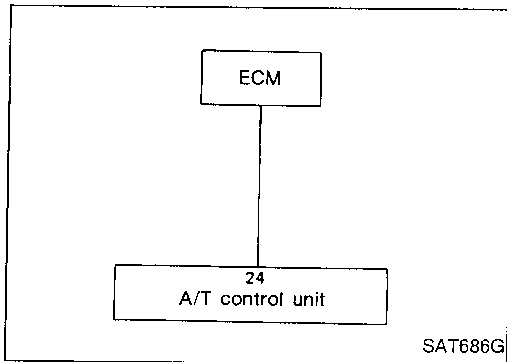
-  1) Start engine.
 2) Drive vehicle under the following conditions:
 Selector lever in "D", vehicle speed higher than 10 km/h (6 MPH), throttle opening greater than 1/8 of the full throttle position and driving for more than 10 seconds.
 3) Select "MODE 7" with GST.

OR

-  1) Start engine.
 2) Drive vehicle under the following conditions:
 Selector lever in "D", vehicle speed higher than 10 km/h (6 MPH), throttle opening greater than 1/8 of the full throttle position and driving for more than 10 seconds.
 3) Perform self-diagnosis.
 Refer to SELF-DIAGNOSTIC PROCEDURE (No Tools), AT-23.

TROUBLE DIAGNOSIS FOR DTC P0725

Engine Speed Signal (Cont'd)

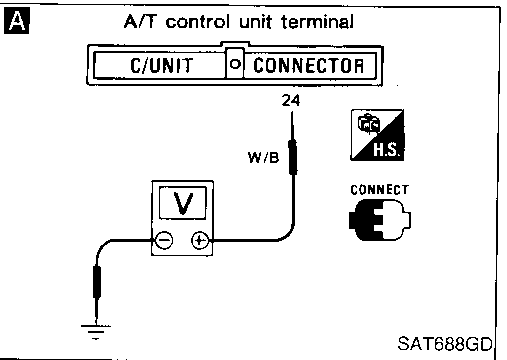


A

☆MONITOR	☆NO FAIL	
VHCL/S SE•A/T	0km/h	
VHCL/S SE•MTR	5km/h	
THRTL POS SEN	0.4V	
FLUID TEMP SE	1.2V	
BATTERY VOLT	13.4V	
ENGINE SPEED	1024rpm	
OVERDRIVE SW	O N	
P/N POSI SW	O N	
R POSITION SW	OFF	

RECORD

SAT076H



Perform diagnostic test mode II (self-diagnostic results) for engine control. Check ignition signal circuit condition.

NG → Check ignition signal circuit for engine control. Refer to EC section ["Ignition Signal (DTC: 0201)", TROUBLE DIAGNOSIS FOR DTC P1320"].

A

CHECK INPUT SIGNAL.

1. Start engine.

2. Select "ECU INPUT SIGNALS" in Data Monitor.

3. Read out the value of "ENGINE SPEED".
Check engine speed changes according to throttle position.

OR

1. Start engine.

2. Check voltage between A/T control unit terminal ② and ground.
Voltage: 0.9 - 4.5V

NG → Check the following items:

- Harness for short or open between A/T control unit and ignition coil.
- Resistor
- Ignition coil

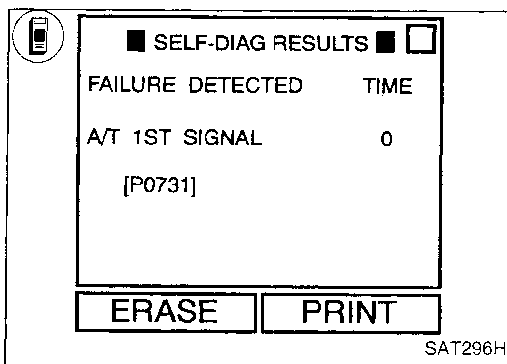
Refer to EC section ["Ignition Signal (DTC: 0201)", "TROUBLE DIAGNOSIS FOR DTC P1320"].

OK → Perform Diagnostic Trouble Code (DTC) confirmation procedure, AT-66.

NG → 1. Perform A/T control unit input/output signal inspection.
2. If NG, recheck A/T control unit pin terminals for damage or loose connection with harness connector.

INSPECTION END

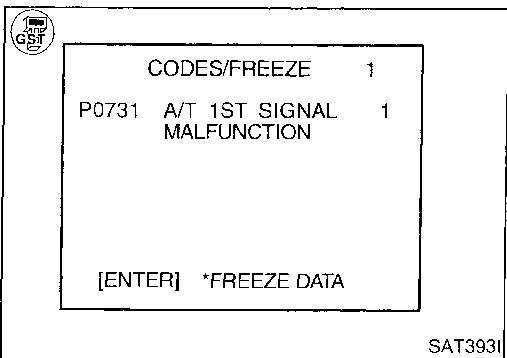
GI
MA
EW
LC
EC
FE
CL
MT
AT
TF
PD
FA
RA
BR
ST
RS
BT
HA
EL
DX



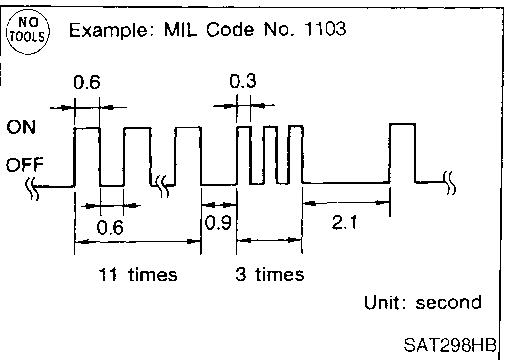
Improper Shifting to 1st Gear Position

DESCRIPTION

- This is one of the items indicated by the MIL.
- This malfunction will not be detected while the O/D OFF indicator lamp is indicating another self-diagnosis malfunction.
- This malfunction is detected when the A/T does not shift into first gear position as instructed by the A/T control unit. This is not caused by electrical malfunction (circuits open or shorted) but by mechanical malfunction such as control valve sticking, improper solenoid valve operation, etc.



Diagnostic trouble code	Malfunction is detected when ...	Check item (Possible cause)
: A/T 1ST SIGNAL	A/T cannot be shifted to the 1st gear position even if electrical circuit is good.	<ul style="list-style-type: none"> • Shift solenoid valve A • Shift solenoid valve B • Each clutch • Hydraulic control circuit
: P0731		
: MIL Code No. 1103		



Diagnostic Trouble Code (DTC) confirmation procedure

After the repair, perform the following procedure to confirm the malfunction is eliminated.

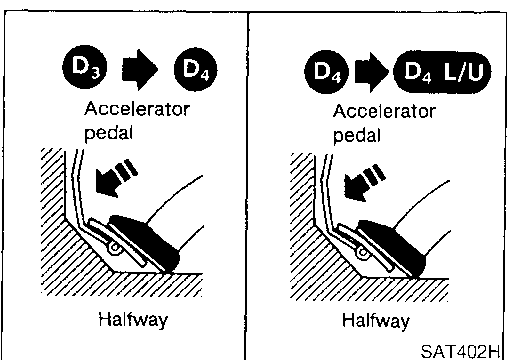
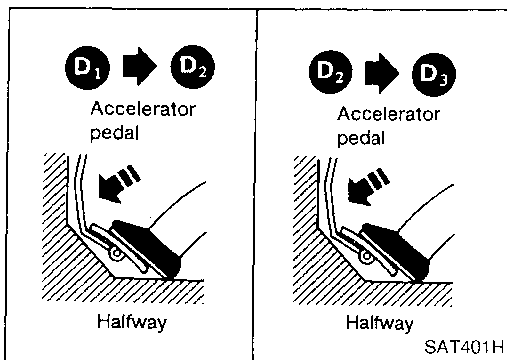
- 1) Start engine and warm up ATF.
 2) Select "SELF-DIAG RESULTS" mode for ECM with CONSULT.
 3) Start vehicle with selector lever in "D" and throttle opening halfway. Check that vehicle runs through gear shift of D₁ → D₂ → D₃ → D₄, in accordance with shift schedule. Refer to shift schedule, AT-45.

OR

- 1) Start engine and warm up ATF.
 2) Start vehicle with selector lever in "D" and throttle opening halfway. Check that vehicle runs through gear shift of D₁ → D₂ → D₃ → D₄, in accordance with shift schedule. Refer to shift schedule, AT-45.
 3) Select "MODE 7" with GST.

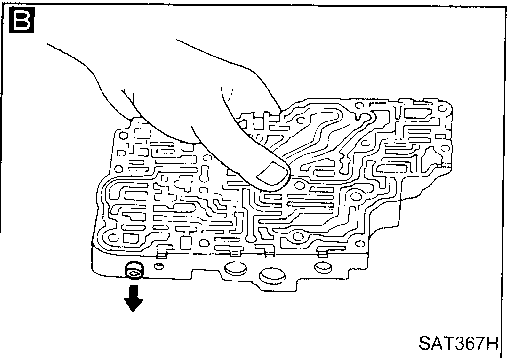
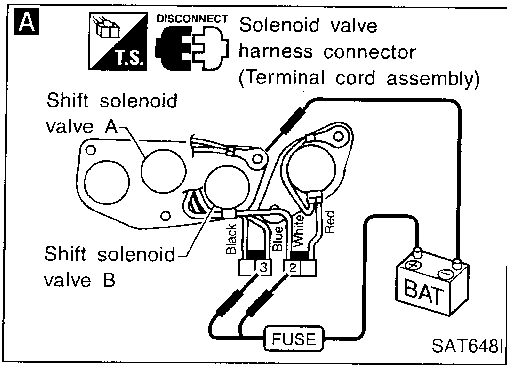
OR

- 1) Start engine and warm up ATF.
 2) Start vehicle with selector lever in "D" and throttle opening halfway. Check that vehicle runs through gear shift of D₁ → D₂ → D₃ → D₄, in accordance with shift schedule. Refer to shift schedule, AT-45.
 3) Perform self-diagnosis for ECM.
 Refer to EC section ["Malfunction Indicator Lamp (MIL)", "ON BOARD DIAGNOSTIC SYSTEM DESCRIPTION"].



TROUBLE DIAGNOSIS FOR DTC P0731

Improper Shifting to 1st Gear Position (Cont'd)



A

CHECK SHIFT SOLENOID VALVE.

1. Remove control valve assembly. Refer to AT-132.
2. Check shift solenoid valve operation.
 - Shift solenoid valve A
 - Shift solenoid valve B
 Refer to "Component Inspection" on next page.

NG → Repair or replace shift solenoid valve assembly.

OK ↓

B

CHECK CONTROL VALVE.

1. Disassemble control valve assembly. Refer to "Control Valve Assembly", AT-157.
2. Check to ensure that:
 - Valve, sleeve and plug slide along valve bore under their own weight.
 - Valve, sleeve and plug are free from burrs, dents and scratches.
 - Control valve springs are free from damage, deformation and fatigue.
 - Hydraulic line is free from obstacles.

NG → Repair control valve assembly.

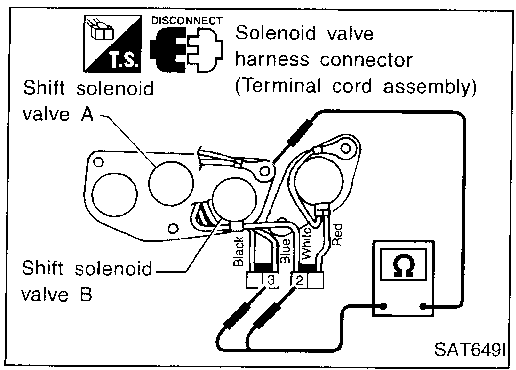
OK ↓

Perform Diagnostic Trouble Code (DTC) confirmation procedure, AT-68.

NG → Check control valve again. Repair or replace control valve assembly.

OK ↓

INSPECTION END



COMPONENT INSPECTION

Shift solenoid valve A and B

- For removal, refer to AT-132.

Resistance check.

- Check resistance between two terminals.

Solenoid valve	Terminal No.	Resistance (Approx.)
Shift solenoid valve A	③	Ground 20 - 40Ω
Shift solenoid valve B	②	

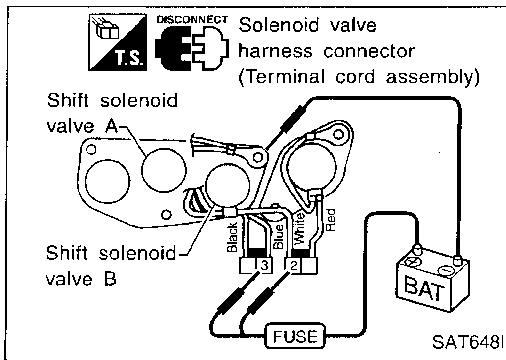
GI
MA
EM
LC
EC
FE
CL
MT
AT
TF
PC
FA
RA
BR
ST
RS
BT
HA
EL
IDX

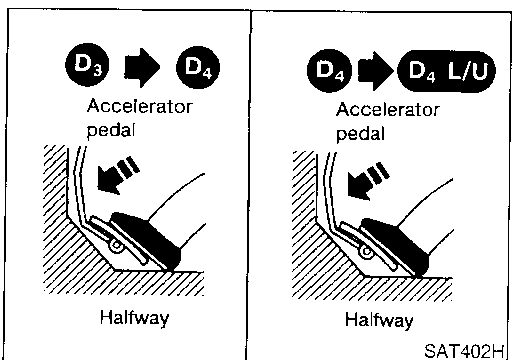
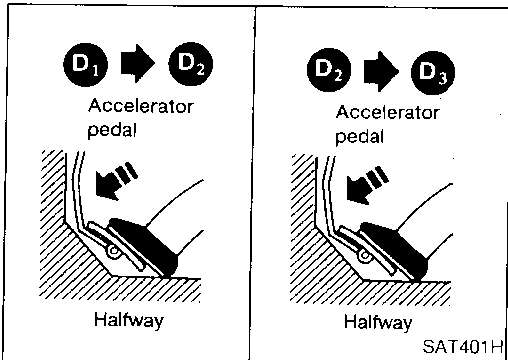
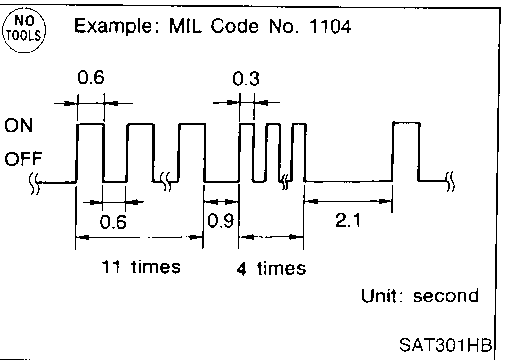
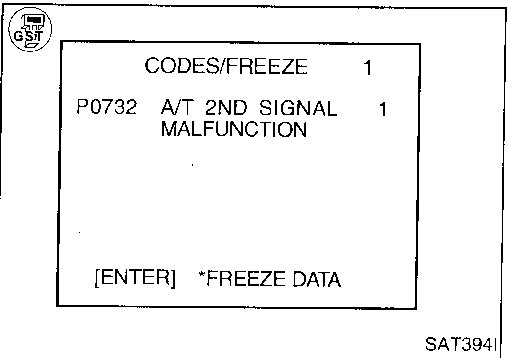
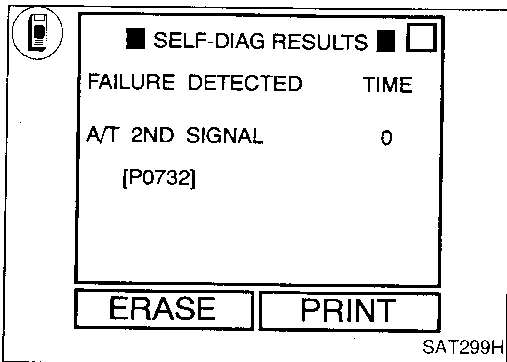
TROUBLE DIAGNOSIS FOR DTC P0731

Improper Shifting to 1st Gear Position (Cont'd)

Operation check

- Check solenoid valve by listening for its operating sound while applying battery voltage to the terminal and ground.





Improper Shifting to 2nd Gear Position

DESCRIPTION

- This is one of the items indicated by the MIL.
- This malfunction will not be detected while the O/D OFF indicator lamp is indicating another self-diagnosis malfunction.
- This malfunction is detected when the A/T does not shift into second gear position as instructed by the A/T control unit. This is not caused by electrical malfunction (circuits open or shorted) but by mechanical malfunction such as control valve sticking, improper solenoid valve operation, etc.

Diagnostic trouble code	Malfunction is detected when ...	Check item (Possible cause)
: A/T 2ND SIGNAL	A/T cannot be shifted to the 2nd gear position even if electrical circuit is good.	<ul style="list-style-type: none"> • Shift solenoid valve B • Each clutch • Hydraulic control circuit
: P0732		
: MIL Code No. 1104		

Diagnostic Trouble Code (DTC) confirmation procedure

After the repair, perform the following procedure to confirm the malfunction is eliminated.

- 1) Start engine and warm up ATF.
- 2) Select "SELF-DIAG RESULTS" mode for ECM with CONSULT.
- 3) Start vehicle with selector lever in "D" and throttle opening halfway. Check that vehicle runs through gear shift of $D_1 \rightarrow D_2 \rightarrow D_3 \rightarrow D_4$, in accordance with shift schedule. Refer to shift schedule, AT-45.

OR

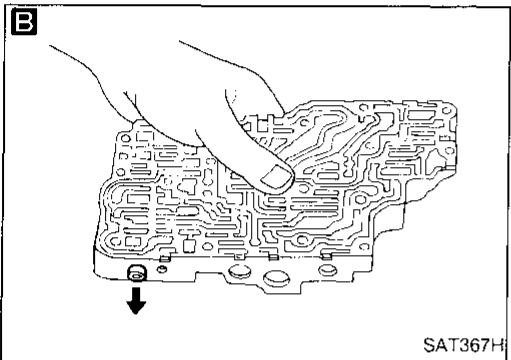
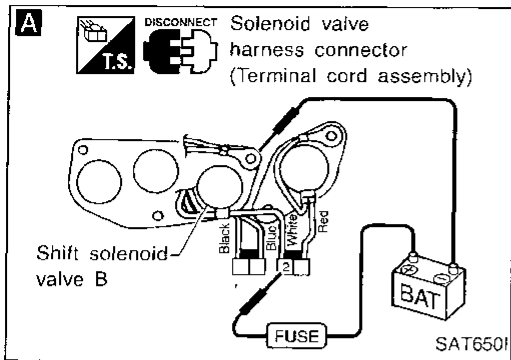
- 1) Start engine and warm up ATF.
- 2) Start vehicle with selector lever in "D" and throttle opening halfway. Check that vehicle runs through gear shift of $D_1 \rightarrow D_2 \rightarrow D_3 \rightarrow D_4$, in accordance with shift schedule. Refer to shift schedule, AT-45.
- 3) Select "MODE 7" with GST.

OR

- 1) Start engine and warm up ATF.
- 2) Start vehicle with selector lever in "D" and throttle opening halfway. Check that vehicle runs through gear shift of $D_1 \rightarrow D_2 \rightarrow D_3 \rightarrow D_4$, in accordance with shift schedule. Refer to shift schedule, AT-45.
- 3) Perform self-diagnosis for ECM. Refer to EC section ["Malfunction Indicator Lamp (MIL)", "ON BOARD DIAGNOSTIC SYSTEM DESCRIPTION"].

TROUBLE DIAGNOSIS FOR DTC P0732

Improper Shifting to 2nd Gear Position (Cont'd)



A

CHECK SHIFT SOLENOID VALVE.

1. Remove control valve assembly. Refer to AT-132.
2. Check shift solenoid valve operation.
 - Shift solenoid valve B
 Refer to "Component Inspection" below.

NG → Repair or replace shift solenoid valve assembly.

OK ↓

B

CHECK CONTROL VALVE.

1. Disassemble control valve assembly. Refer to "Control Valve Assembly", AT-157.
2. Check to ensure that:
 - Valve, sleeve and plug slide along valve bore under their own weight.
 - Valve, sleeve and plug are free from burrs, dents and scratches.
 - Control valve springs are free from damage, deformation and fatigue.
 - Hydraulic line is free from obstacles.

NG → Repair control valve assembly.

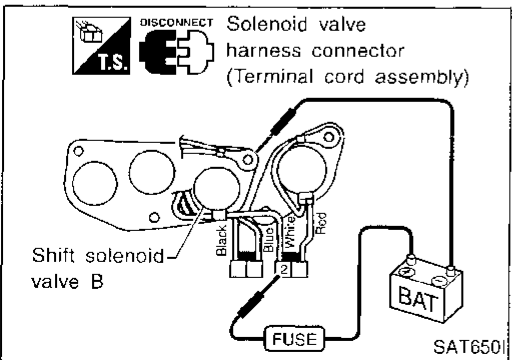
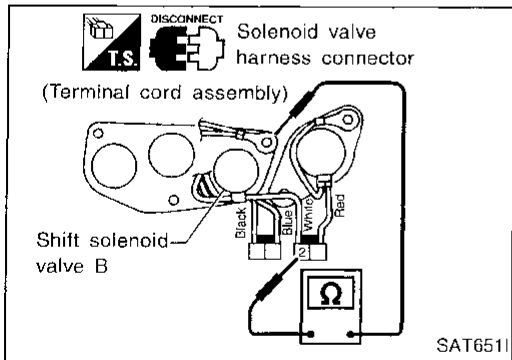
OK ↓

Perform Diagnostic Trouble Code (DTC) confirmation procedure, AT-71.

NG → Check control valve again. Repair or replace control valve assembly.

OK ↓

INSPECTION END



COMPONENT INSPECTION

Shift solenoid valve B

- For removal, refer to AT-132.

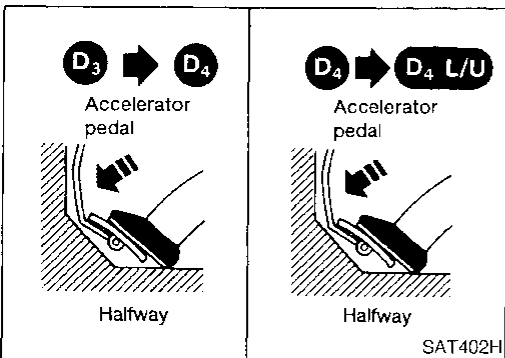
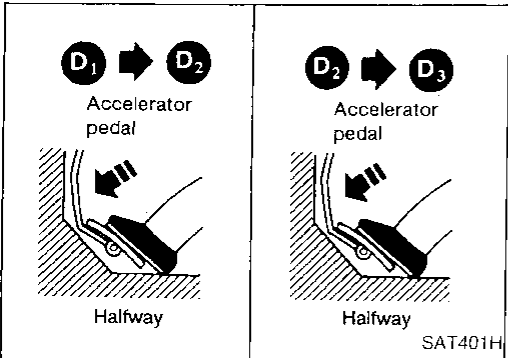
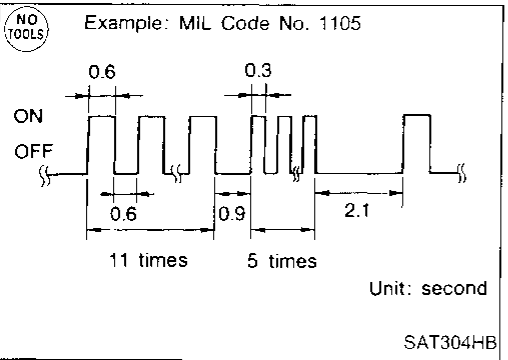
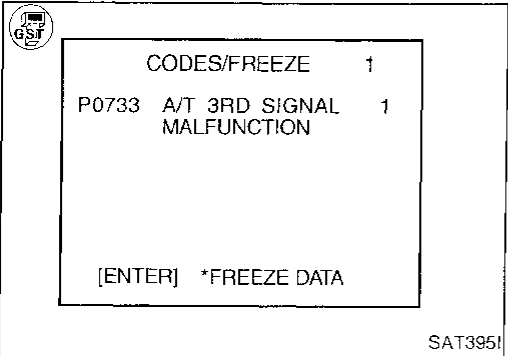
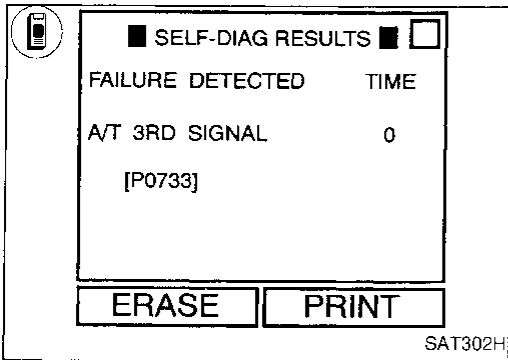
Resistance check

- Check resistance between two terminals.

Solenoid valve	Terminal No.		Resistance (Approx.)
Shift solenoid valve B	②	Ground	20 - 40Ω

Operation check

- Check solenoid valve by listening for its operating sound while applying battery voltage to the terminal and ground.



Improper Shifting to 3rd Gear Position

DESCRIPTION

- This is one of the items indicated by the MIL.
- This malfunction will not be detected while the O/D OFF indicator lamp is indicating another self-diagnosis malfunction.
- This malfunction is detected when the A/T does not shift into third gear position as instructed by the A/T control unit. This is not caused by electrical malfunction (circuits open or shorted) but by mechanical malfunction such as control valve sticking, improper solenoid valve operation, malfunctioning servo piston or brake band, etc.

Diagnostic trouble code	Malfunction is detected when ...	Check item (Possible cause)
: A/T 3RD SIGNAL	A/T cannot be shifted to the 3rd gear position even if electrical circuit is good.	<ul style="list-style-type: none"> • Shift solenoid valve A • Each clutch • Hydraulic control circuit
: P0733		
: MIL Code No. 1105		

Diagnostic Trouble Code (DTC) confirmation procedure

After the repair, perform the following procedure to confirm the malfunction is eliminated.

- 1) Start engine and warm up ATF.
- 2) Select "SELF-DIAG RESULTS" mode for ECM with CONSULT.
- 3) Start vehicle with selector lever in "D" and throttle opening halfway. Check that vehicle runs through gear shift of $D_1 \rightarrow D_2 \rightarrow D_3 \rightarrow D_4$, in accordance with shift schedule. Refer to shift schedule, AT-45.

OR

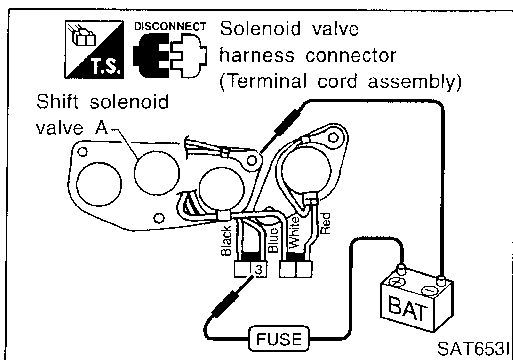
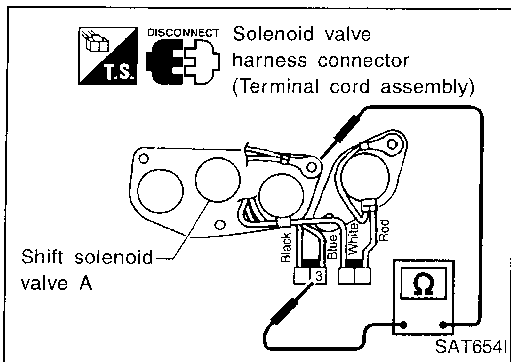
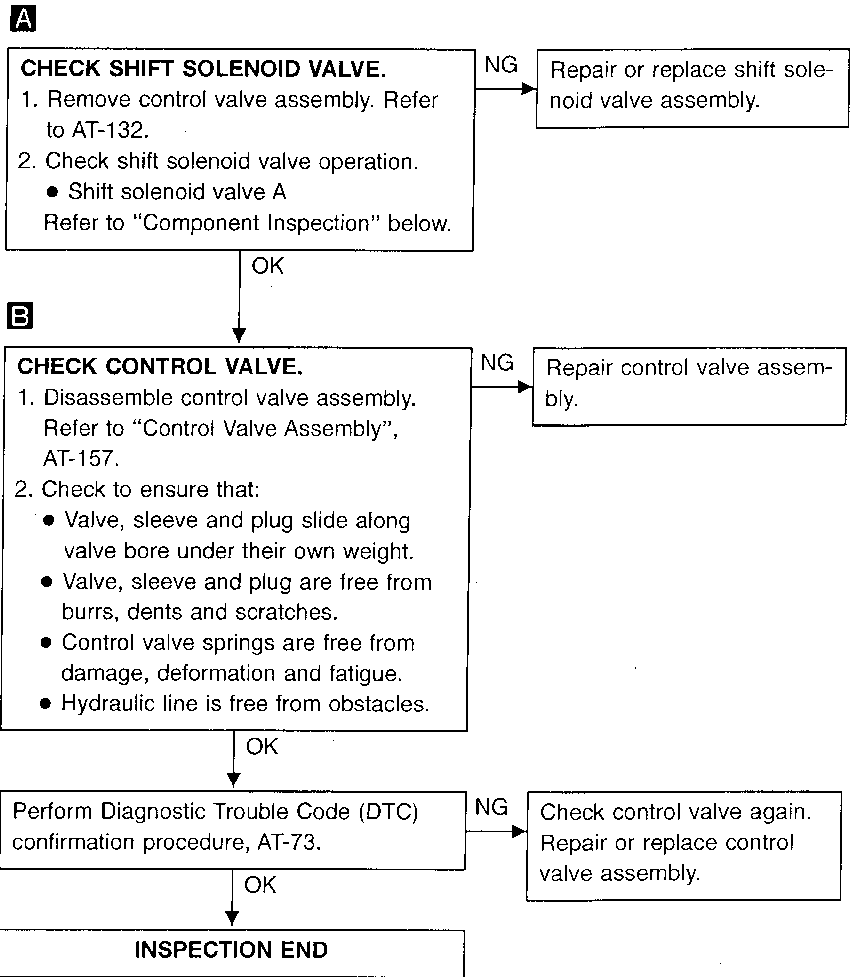
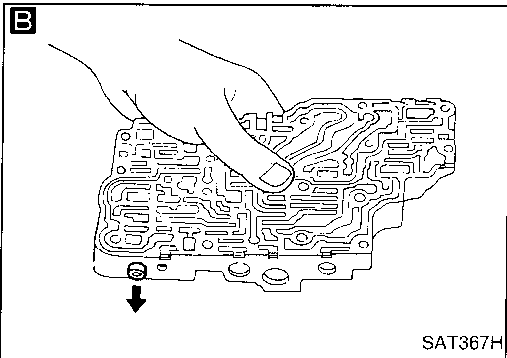
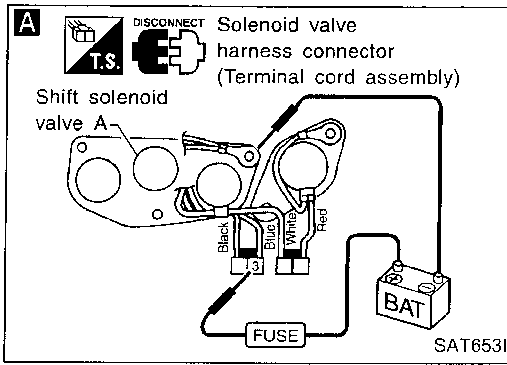
- 1) Start engine and warm up ATF.
- 2) Start vehicle with selector lever in "D" and throttle opening halfway. Check that vehicle runs through gear shift of $D_1 \rightarrow D_2 \rightarrow D_3 \rightarrow D_4$, in accordance with shift schedule. Refer to shift schedule, AT-45.
- 3) Select "MODE 7" with GST.

OR

- 1) Start engine and warm up ATF.
- 2) Start vehicle with selector lever in "D" and throttle opening halfway. Check that vehicle runs through gear shift of $D_1 \rightarrow D_2 \rightarrow D_3 \rightarrow D_4$, in accordance with shift schedule. Refer to shift schedule, AT-45.
- 3) Perform self-diagnosis for ECM. Refer to EC section ["Malfunction Indicator Lamp (MIL)", "ON BOARD DIAGNOSTIC SYSTEM DESCRIPTION"].

TROUBLE DIAGNOSIS FOR DTC P0733

Improper Shifting to 3rd Gear Position (Cont'd)



COMPONENT INSPECTION

Shift solenoid valve A

- For removal, refer to AT-132.

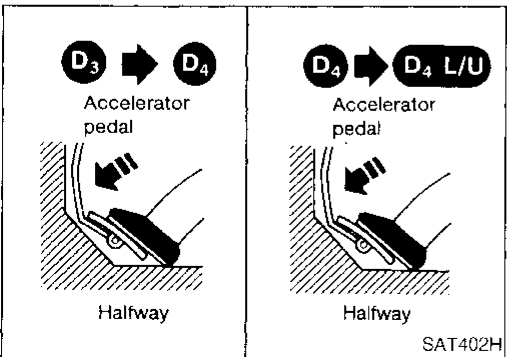
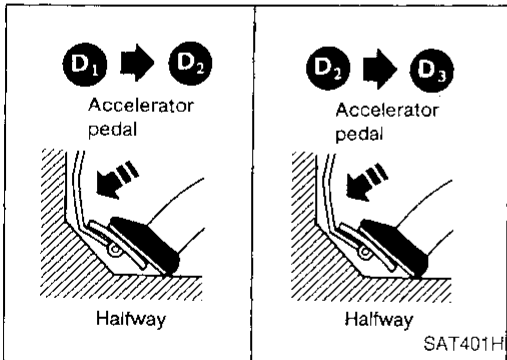
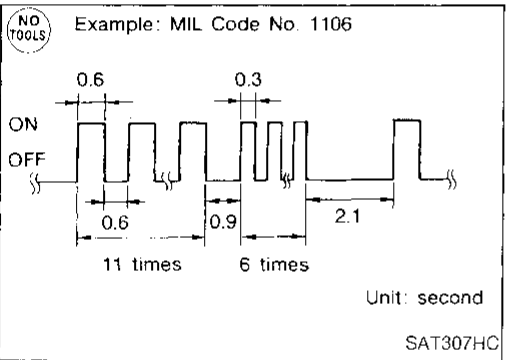
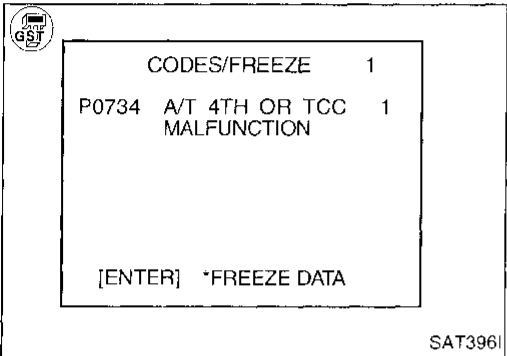
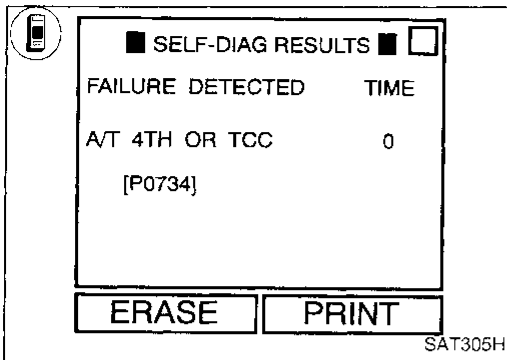
Resistance check

- Check resistance between two terminals.

Solenoid valve	Terminal No.		Resistance (Approx.)
Shift solenoid valve A	③	Ground	20 - 40Ω

Operation check

- Check solenoid valve by listening for its operating sound while applying battery voltage to the terminal and ground.



Improper Shifting to 4th Gear Position

DESCRIPTION

- This is one of the items indicated by the MIL.
- This malfunction will not be detected while the O/D OFF indicator lamp is indicating another self-diagnosis malfunction.
- This malfunction is detected when the A/T does not shift into fourth gear position or the torque converter clutch does not lock up as instructed by the A/T control unit. This is not caused by electrical malfunction (circuits open or shorted) but by mechanical malfunction such as control valve sticking, improper solenoid valve operation, malfunctioning oil pump or torque converter clutch, etc.

Diagnostic trouble code	Malfunction is detected when ...	Check item (Possible cause)
: A/T 4TH SIGNAL : P0734 : MIL Code No. 1106	A/T cannot be shifted to the 4th gear position even if electrical circuit is good.	<ul style="list-style-type: none"> • Shift solenoid valve A • Shift solenoid valve B • Overrun clutch solenoid valve • Line pressure solenoid valve • Each clutch • Hydraulic control circuit

Diagnostic Trouble Code (DTC) confirmation procedure

After the repair, perform the following procedure to confirm the malfunction is eliminated.

- 1) Start engine and warm up ATF.
- 2) Select "SELF-DIAG RESULTS" mode for ECM with CONSULT.
- 3) Start vehicle with selector lever in "D" and throttle opening halfway. Check that vehicle runs through gear shift of D₁ → D₂ → D₃ → D₄ → D₄ lock-up, in accordance with shift schedule. Refer to shift schedule, AT-45.

OR

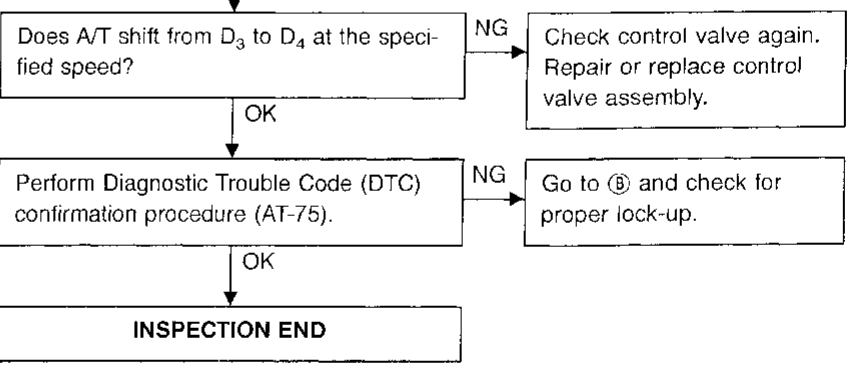
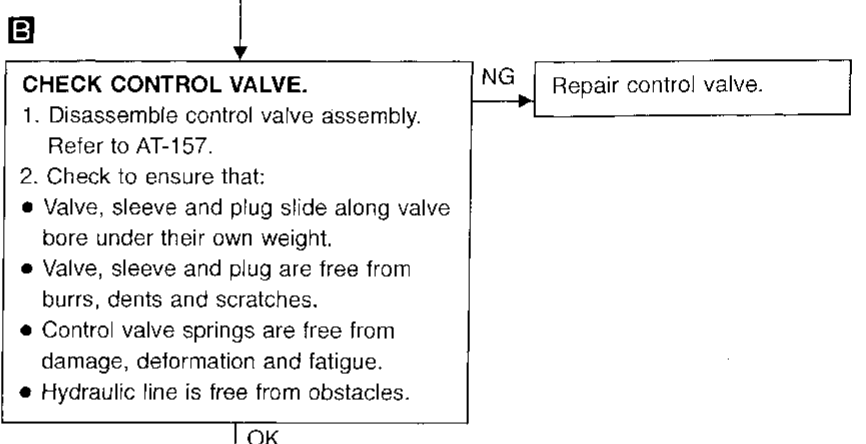
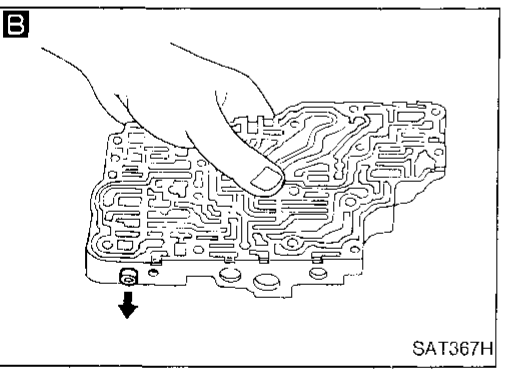
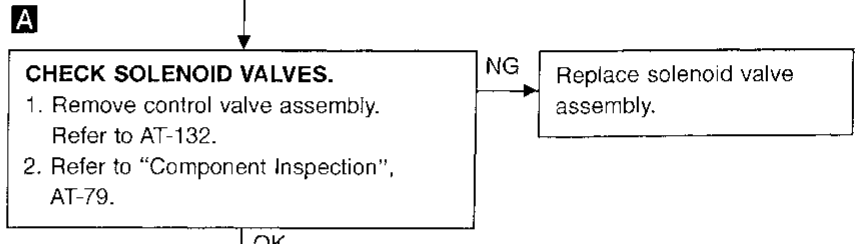
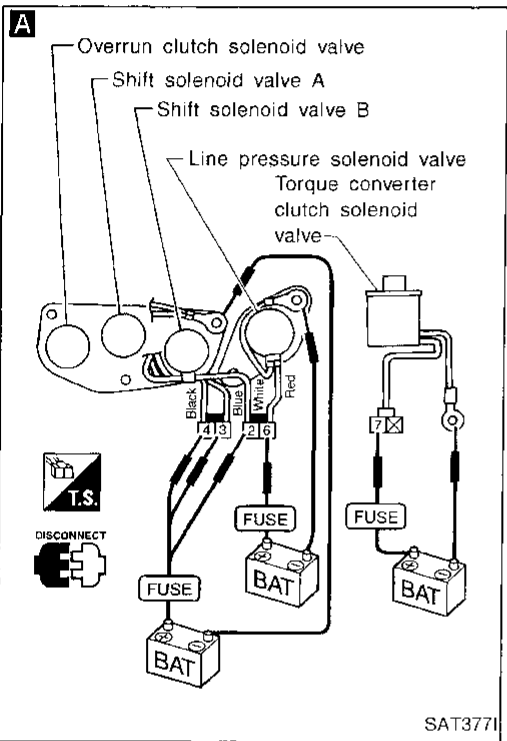
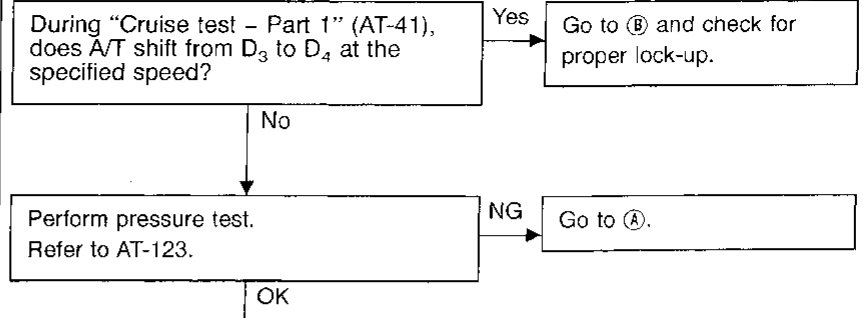
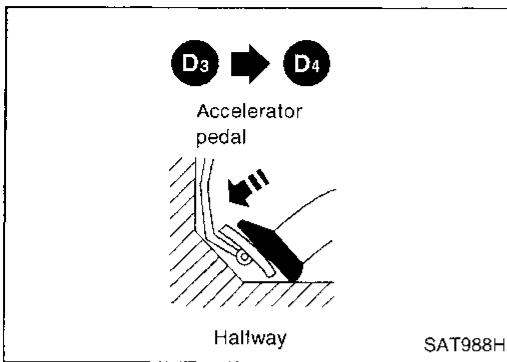
- 1) Start engine and warm up ATF.
- 2) Start vehicle with selector lever in "D" and throttle opening halfway. Check that vehicle runs through gear shift of D₁ → D₂ → D₃ → D₄ → D₄ lock-up, in accordance with shift schedule. Refer to shift schedule, AT-45.
- 3) Select "MODE 7" with GST.

OR

- 1) Start engine and warm up ATF.
- 2) Start vehicle with selector lever in "D" and throttle opening halfway. Check that vehicle runs through gear shift of D₁ → D₂ → D₃ → D₄ → D₄ lock-up, in accordance with shift schedule. Refer to shift schedule, AT-45.
- 3) Perform self-diagnosis for ECM. Refer to EC section ["Malfunction Indicator Lamp (MIL)", "ON BOARD DIAGNOSTIC SYSTEM DESCRIPTION"].

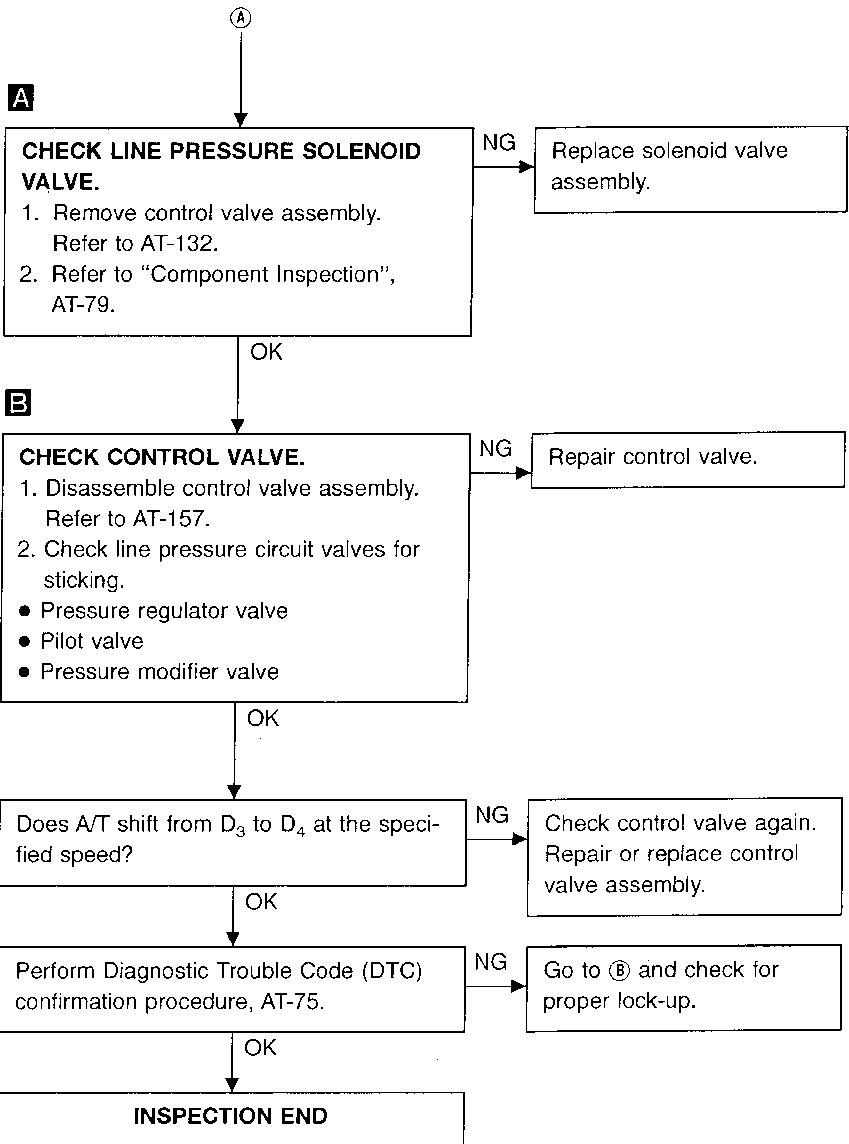
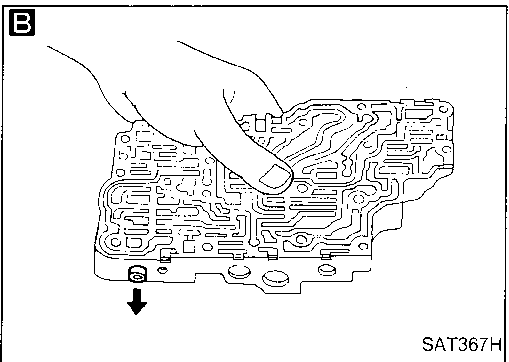
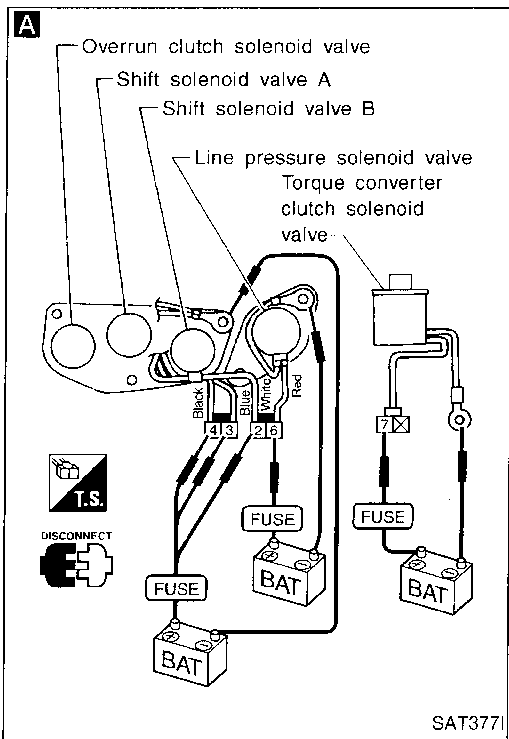
TROUBLE DIAGNOSIS FOR DTC P0734

Improper Shifting to 4th Gear Position (Cont'd)



TROUBLE DIAGNOSIS FOR DTC P0734

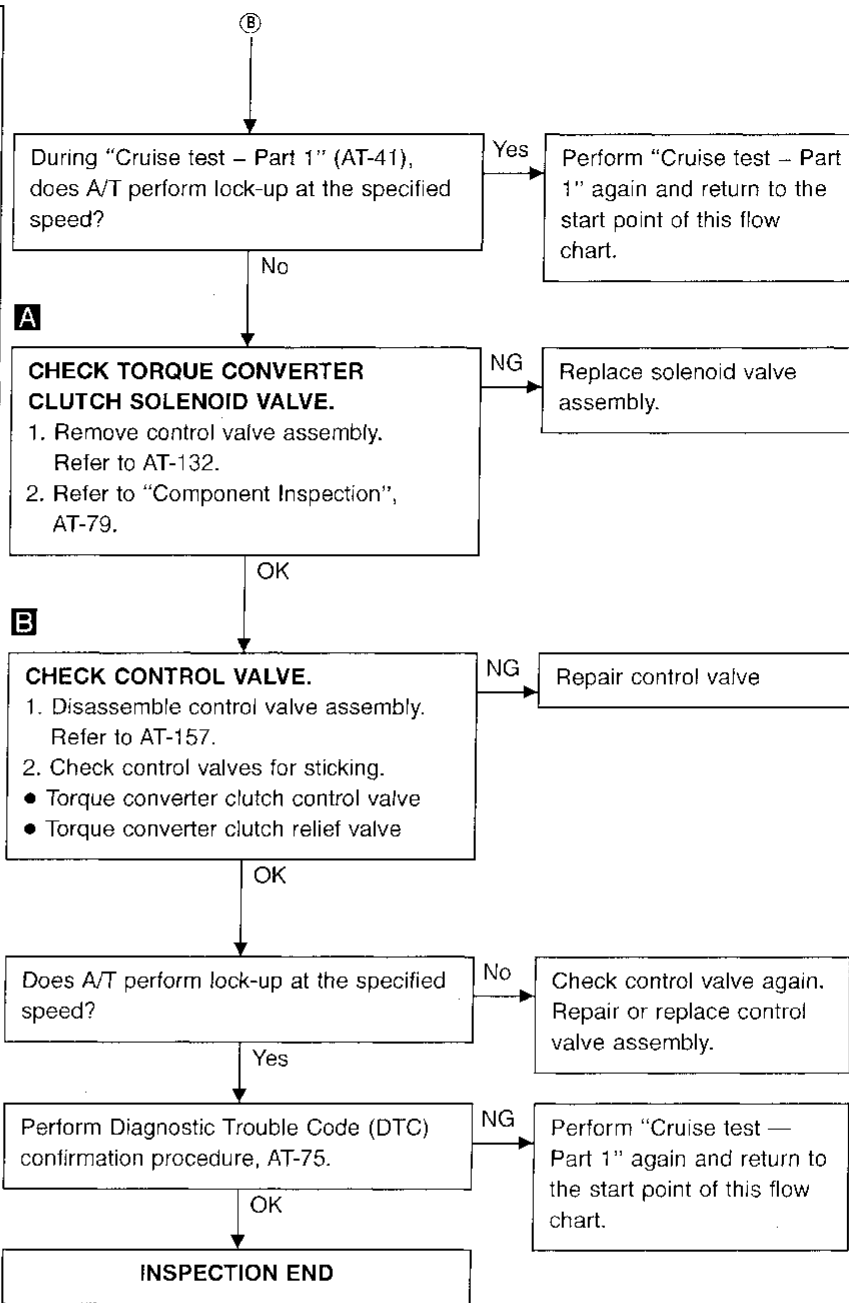
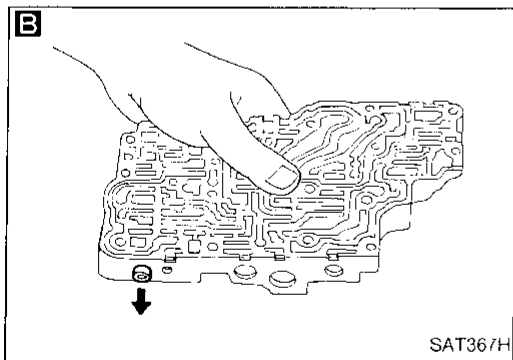
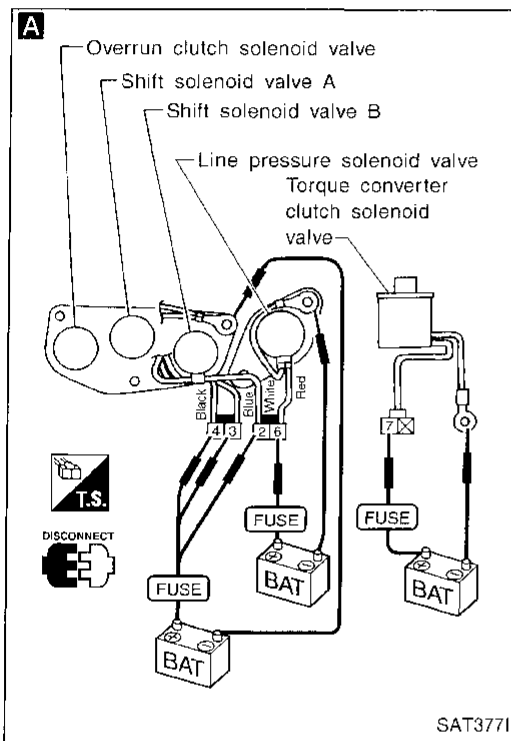
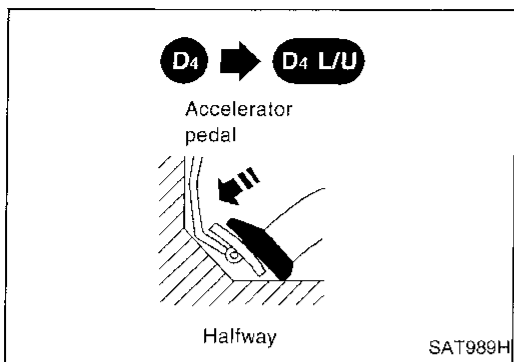
Improper Shifting to 4th Gear Position (Cont'd)



GI
MA
EM
LC
EC
FE
CL
MT
AT
TF
PD
FA
RA
BR
ST
RS
BT
HA
EL
IDX

TROUBLE DIAGNOSIS FOR DTC P0734

Improper Shifting to 4th Gear Position (Cont'd)



TROUBLE DIAGNOSIS FOR DTC P0734

Improper Shifting to 4th Gear Position (Cont'd) COMPONENT INSPECTION

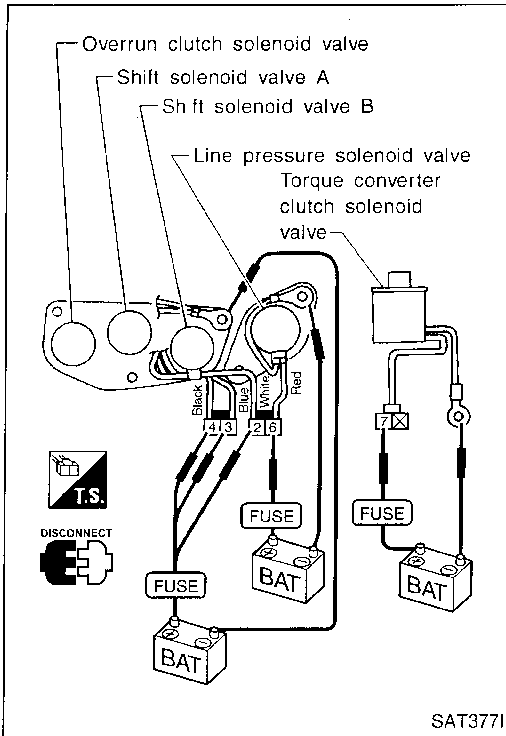
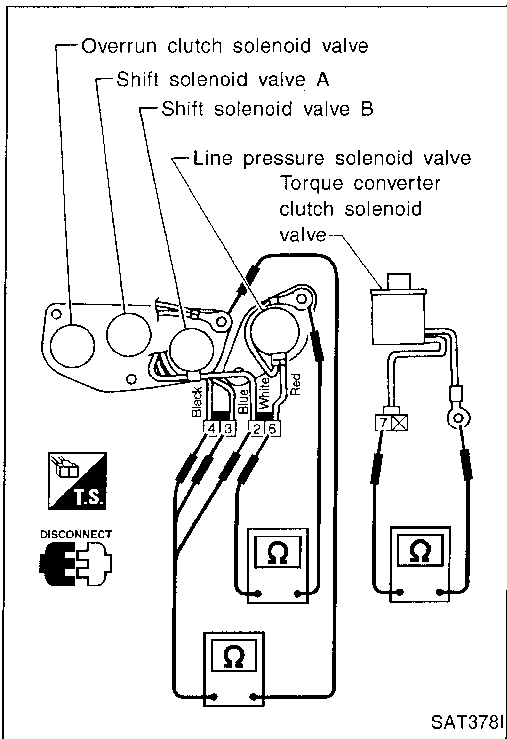
Solenoid valves

- For removal, refer to AT-132.

Resistance check

- Check resistance between two terminals.

Solenoid valve	Terminal No.	Resistance (Approx.)
Shift solenoid valve A	③	20 - 40Ω
Shift solenoid valve B	②	
Overrun clutch solenoid valve	④	2.5 - 5Ω
Line pressure solenoid valve	⑥	
Torque converter clutch solenoid valve	⑦	10 - 16Ω



Operation check

- Check solenoid valve by listening for its operating sound while applying battery voltage to the terminal and ground.

GI

MA

EM

LC

EC

FE

CL

MT

AT

TF

PD

FA

RA

BR

ST

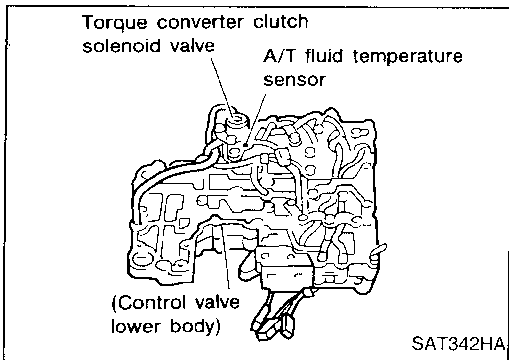
RS

BT

HA

EL

DX

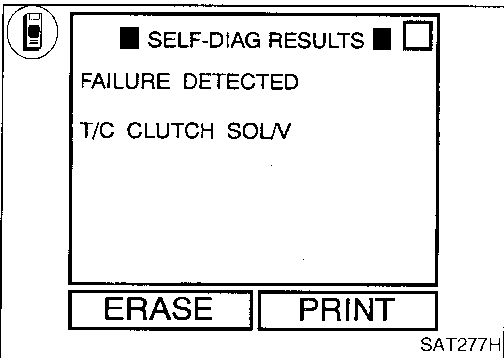


Torque Converter Clutch Solenoid Valve

DESCRIPTION

The torque converter clutch solenoid valve is activated, with the gear in D₄, by the A/T control unit in response to signals sent from the vehicle speed and throttle position sensors. Lock-up piston operation will then be controlled.

Lock-up operation, however, is prohibited when A/T fluid temperature is too low.



Diagnostic trouble code	Malfunction is detected when ...	Check item (Possible cause)
: T/C CLUTCH SOLV	A/T control unit detects an improper voltage drop when it tries to operate the solenoid valve.	<ul style="list-style-type: none"> • Harness or connectors (The solenoid circuit is open or shorted.) • T/C clutch solenoid valve
: P0740		
: 7th judgement flicker		

Diagnostic Trouble Code (DTC) confirmation procedure

After the repair, perform the following procedure to confirm the malfunction is eliminated.

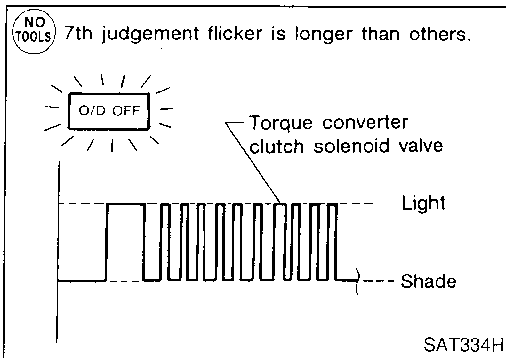
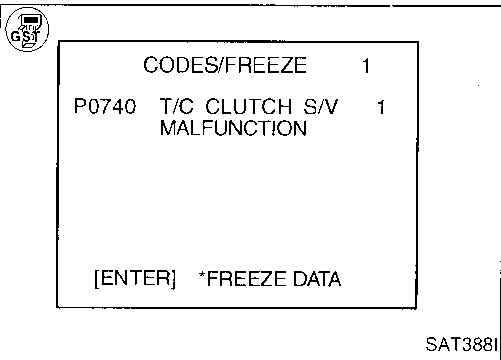
- 1) Start engine.
 2) Select "SELF-DIAG RESULTS" mode with CONSULT.
 3) Drive vehicle in D₁ → D₂ → D₃ → D₄ → D₄ lock-up position.

OR

- 1) Start engine.
 2) Drive vehicle in D₁ → D₂ → D₃ → D₄ → D₄ lock-up position.
 3) Select "MODE 7" with GST.

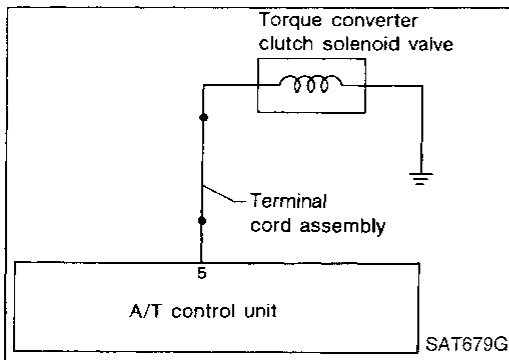
OR

- 1) Start engine.
 2) Drive vehicle in D₁ → D₂ → D₃ → D₄ → D₄ lock-up position.
 3) Perform self-diagnosis.
 Refer to SELF-DIAGNOSTIC PROCEDURE (No Tools), AT-23.



TROUBLE DIAGNOSIS FOR DTC P0740

Torque Converter Clutch Solenoid Valve (Cont'd)



A

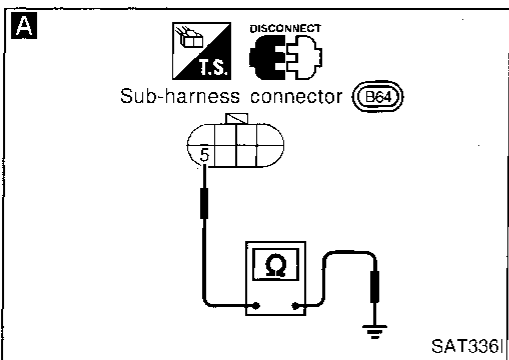
CHECK GROUND CIRCUIT.

1. Turn ignition switch to "OFF" position.
2. Disconnect terminal cord assembly connector in engine compartment.
3. Check resistance between terminal ⑤ and ground.

Resistance: 10 - 20Ω

NG

1. Remove oil pan. Refer to AT-132.
2. Check the following items:
 - Torque converter clutch solenoid valve
 - Refer to "Component Inspection" on next page.
 - Harness of terminal cord assembly for short or open



B

CHECK POWER SOURCE CIRCUIT.

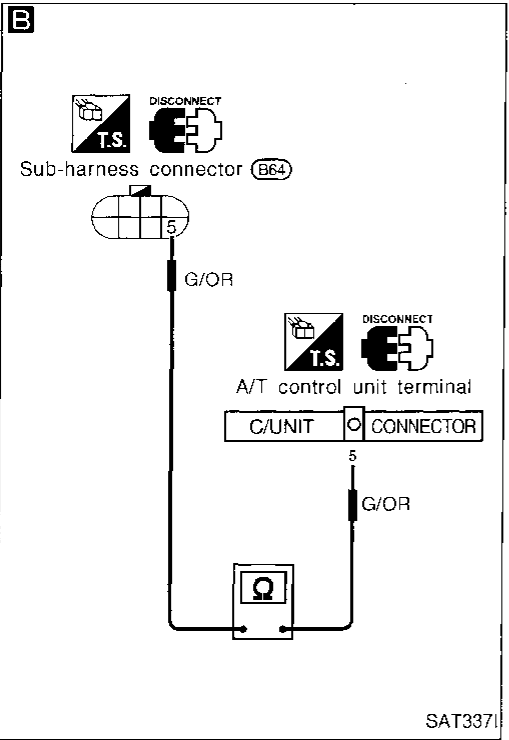
1. Turn ignition switch to "OFF" position.
2. Disconnect A/T control unit harness connector.
3. Check resistance between terminal ⑤ and A/T control unit harness connector terminal ⑤.

Resistance: Approximately 0Ω

4. Reinstall any part removed.

NG

Repair or replace harness between A/T control unit and terminal cord assembly. (Main harness)



OK

Perform Diagnostic Trouble Code (DTC) confirmation procedure, AT-80.

NG

1. Perform A/T control unit input/output signal inspection.
2. If NG, recheck A/T control unit pin terminals for damage or loose connection with harness connector.

OK

INSPECTION END

GI
MA
EM
LC
EC
FE
CL
MT
AT
TF
PD
FA
RA
BR
ST
RS
BT
HA
EL
DX

TROUBLE DIAGNOSIS FOR DTC P0740

Torque Converter Clutch Solenoid Valve (Cont'd)

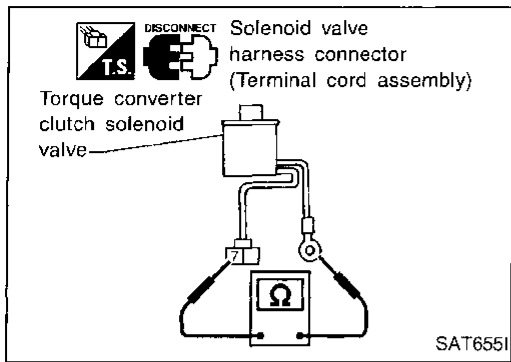
COMPONENT INSPECTION

Torque converter clutch solenoid valve

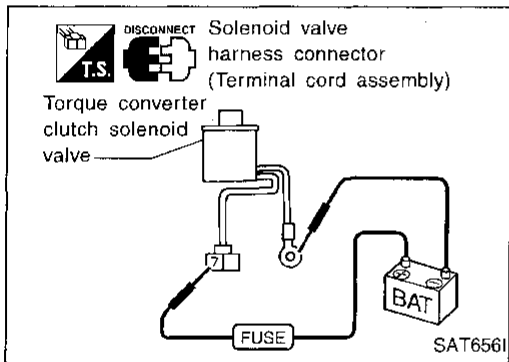
- For removal, refer to AT-132.

Resistance check

- Check resistance between two terminals.

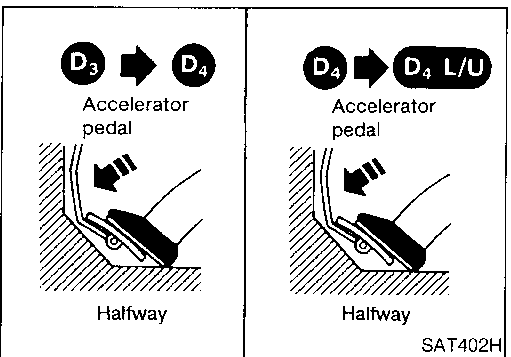
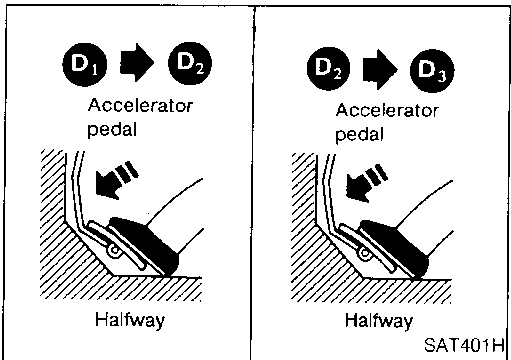
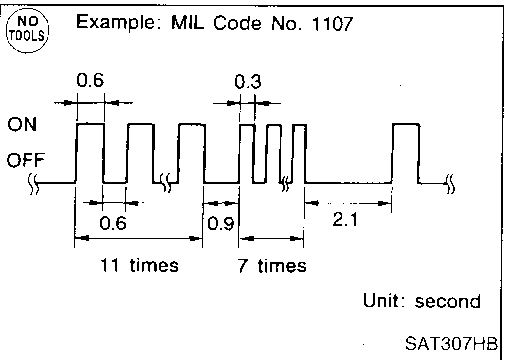
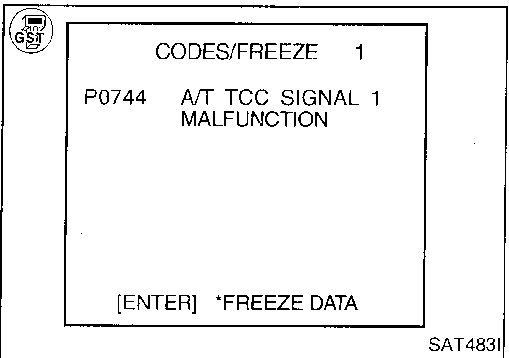
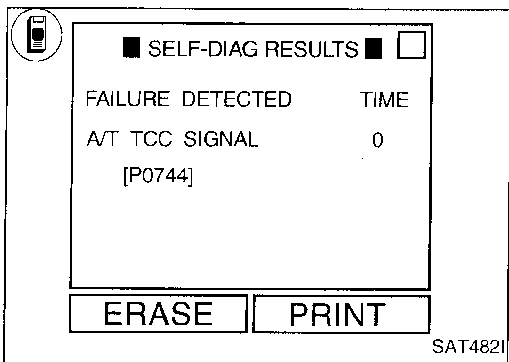


Solenoid valve	Terminal No.		Resistance (Approx.)
Torque converter clutch solenoid valve	⑦	Ground	10 - 16Ω



Operation check

- Check solenoid valve by listening for its operating sound while applying battery voltage to the terminal and ground.



Improper Lock-up Operation

DESCRIPTION

- This is one of the items indicated by the MIL.
- This malfunction will not be detected while the O/D OFF indicator lamp is indicating another self-diagnosis malfunction.
- This malfunction is detected when the A/T does not shift into fourth gear position or the torque converter clutch does not lock up as instructed by the A/T control unit. This is not caused by electrical malfunction (circuits open or shorted) but by mechanical malfunction such as control valve sticking, improper solenoid valve operation, malfunctioning oil pump or torque converter clutch, etc.

Diagnostic trouble code	Malfunction is detected when ...	Check item (Possible cause)
: A/T TCC SIGNAL	A/T cannot perform lock-up even if electrical circuit is good.	<ul style="list-style-type: none"> • Torque converter clutch solenoid valve • Each clutch • Hydraulic control circuit
: P0744		
: MIL Code No. 1107		

Diagnostic Trouble Code (DTC) confirmation procedure

After the repair, perform the following procedure to confirm the malfunction is eliminated.

- 1) Start engine and warm up ATF.
- 2) Select "SELF-DIAG RESULTS" mode for ECM with CONSULT.
- 3) Start vehicle with selector lever in "D" and throttle opening halfway. Check that vehicle runs through gear shift of D₁ → D₂ → D₃ → D₄ → D₄ lock-up, in accordance with shift schedule. Refer to shift schedule, AT-45.

OR

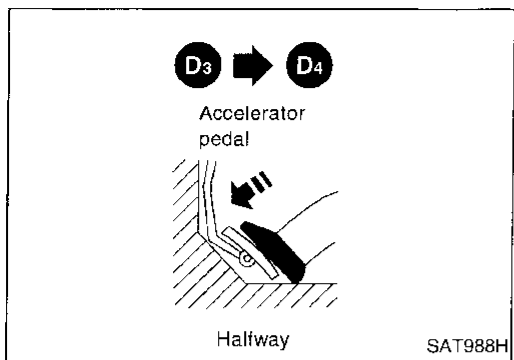
- 1) Start engine and warm up ATF.
- 2) Start vehicle with selector lever in "D" and throttle opening halfway. Check that vehicle runs through gear shift of D₁ → D₂ → D₃ → D₄ → D₄ lock-up, in accordance with shift schedule. Refer to shift schedule, AT-45.
- 3) Select "MODE 7" with GST.

OR

- 1) Start engine and warm up ATF.
- 2) Start vehicle with selector lever in "D" and throttle opening halfway. Check that vehicle runs through gear shift of D₁ → D₂ → D₃ → D₄ → D₄ lock-up, in accordance with shift schedule. Refer to shift schedule, AT-45.
- 3) Perform self-diagnosis for ECM. Refer to EC section ["Malfunction Indicator Lamp (MIL)", "ON BOARD DIAGNOSTIC SYSTEM DESCRIPTION"].

TROUBLE DIAGNOSIS FOR DTC P0744

Improper Lock-up Operation (Cont'd)



During "Cruise test – Part 1" (AT-41), does A/T shift from D₃ to D₄ at the specified speed?

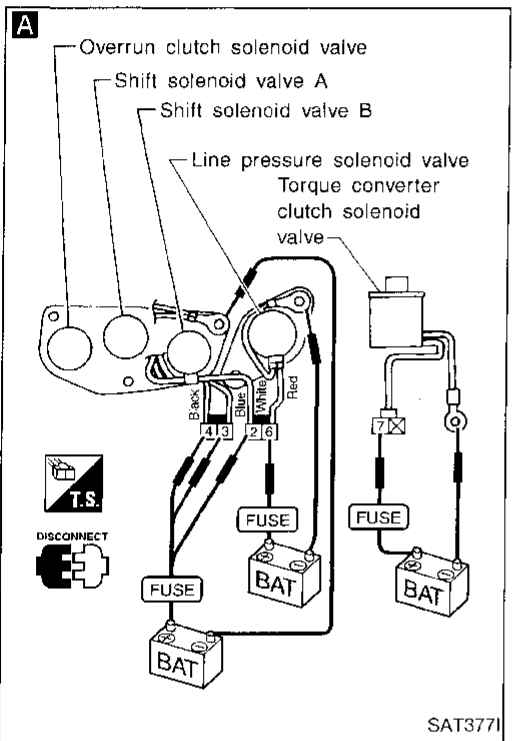
Yes → Go to ② and check for proper lock-up.

No

Perform pressure test. Refer to AT-123.

NG → Go to ①.

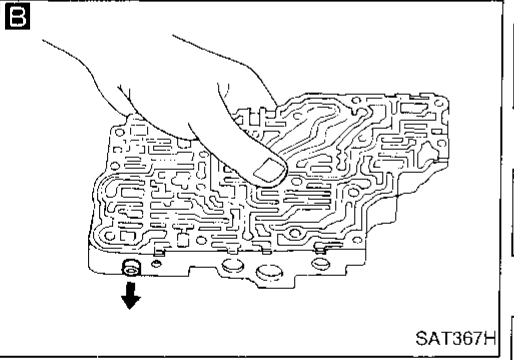
OK



A
CHECK SOLENOID VALVES.
1. Remove control valve assembly. Refer to AT-132.
2. Check solenoid valve assembly operation. Refer to AT-87.

NG → Replace solenoid valve assembly.

OK



B
CHECK CONTROL VALVE.
1. Disassemble control valve assembly. Refer to AT-157.
2. Check to ensure that:
• Valve, sleeve and plug slide along valve bore under their own weight.
• Valve, sleeve and plug are free from burrs, dents and scratches.
• Control valve springs are free from damage, deformation and fatigue.
• Hydraulic line is free from obstacles.

NG → Repair control valve.

OK

Does A/T shift from D₃ to D₄ at the specified speed?

NG → Check control valve again. Repair or replace control valve assembly.

OK

Perform Diagnostic Trouble Code (DTC) confirmation procedure, AT-83.

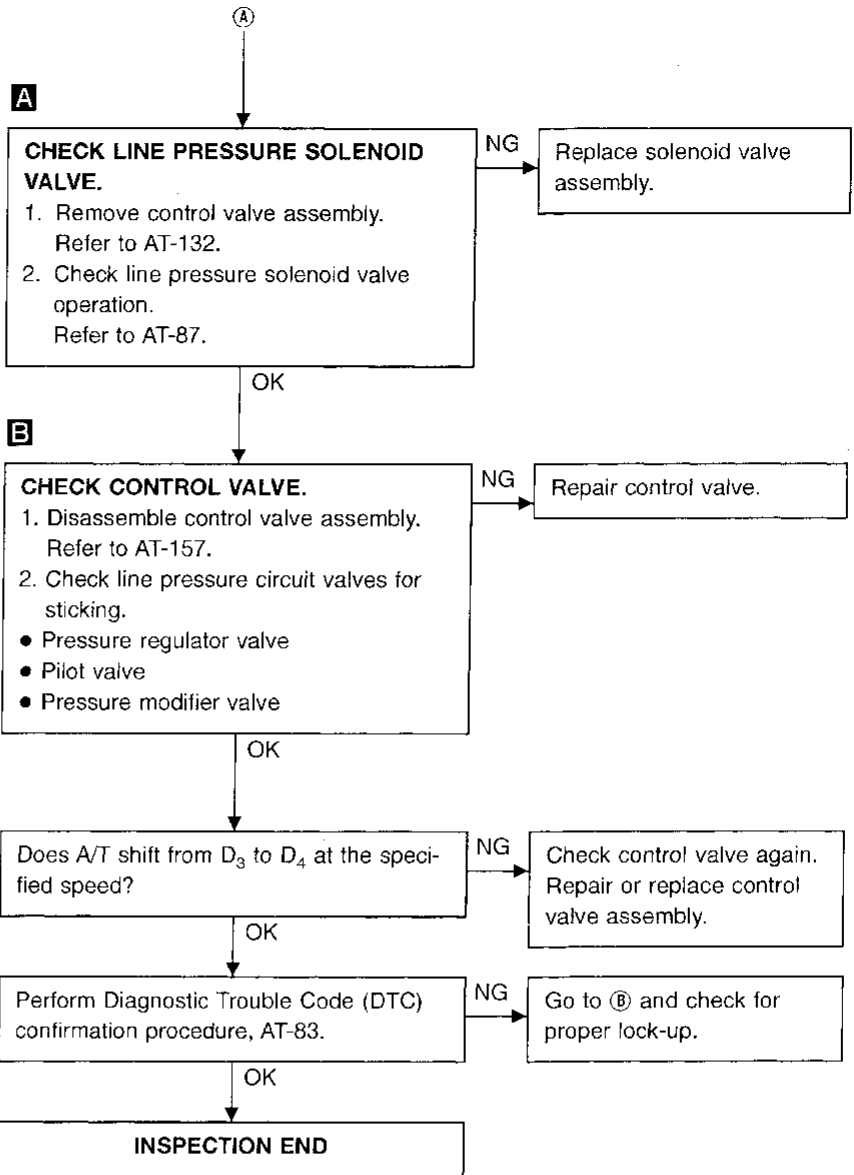
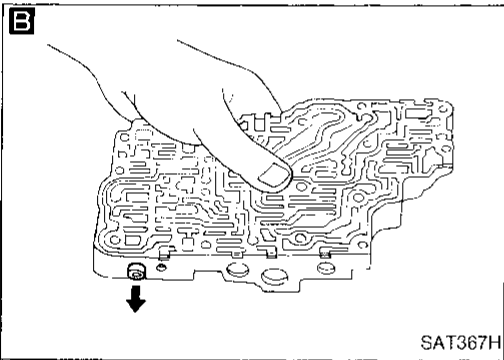
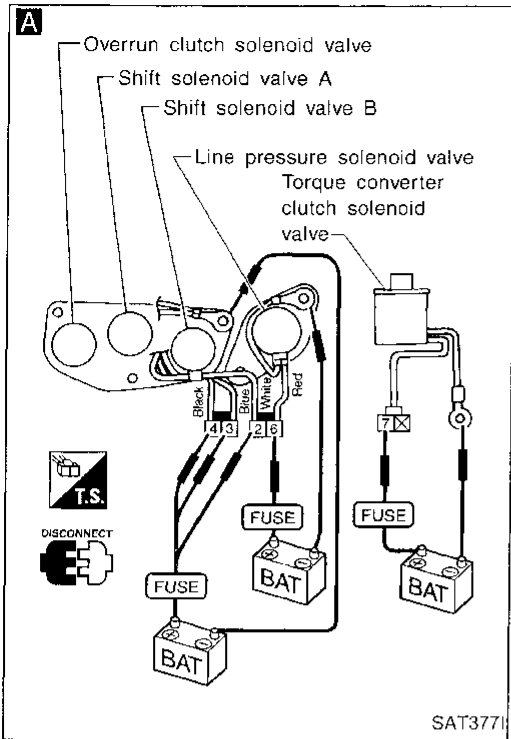
NG → Go to ② and check for proper lock-up.

OK

INSPECTION END

TROUBLE DIAGNOSIS FOR DTC P0744

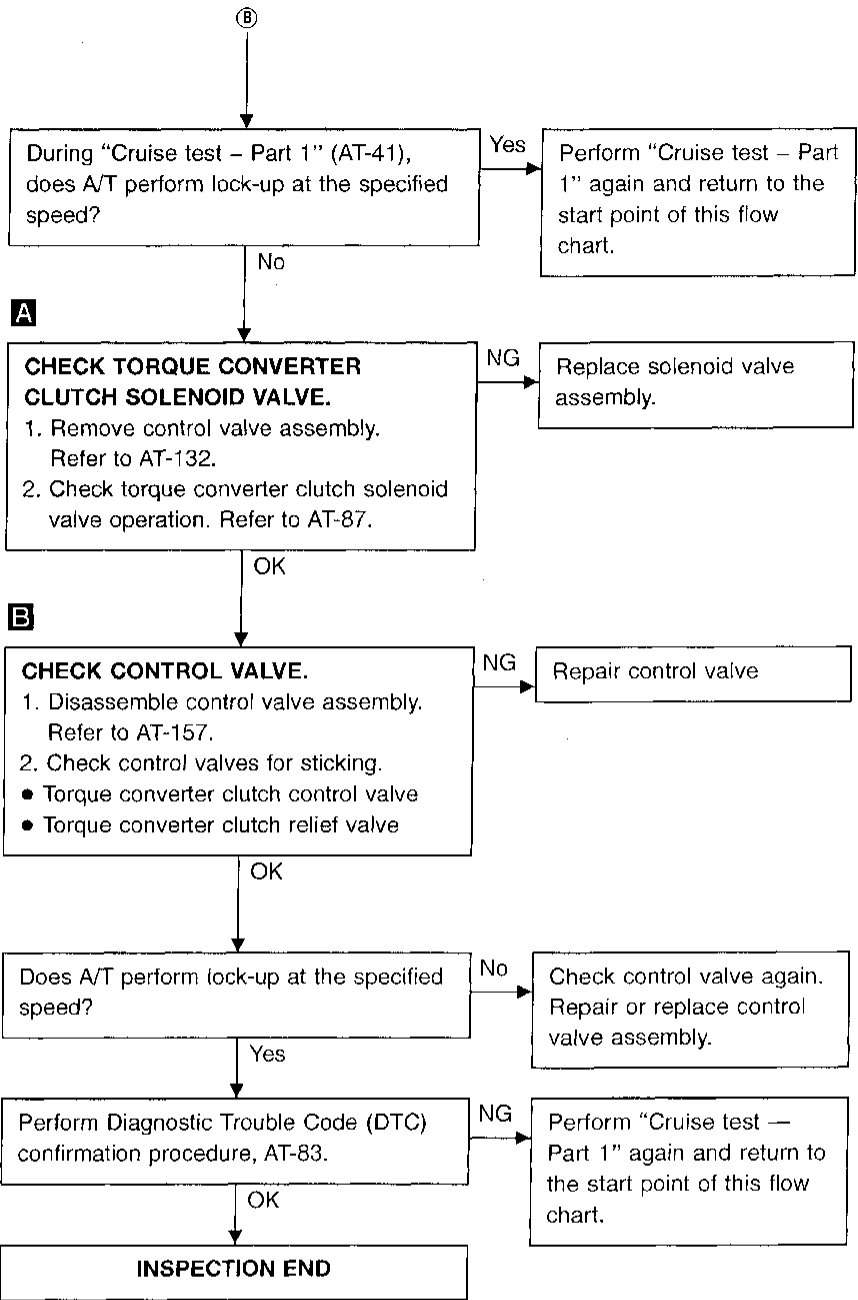
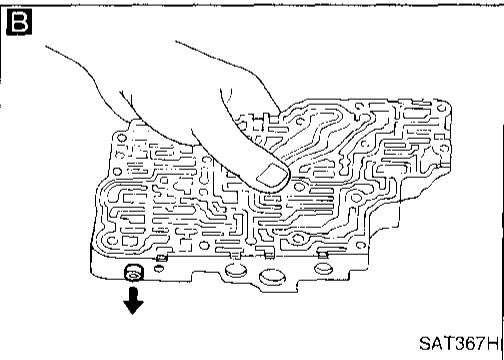
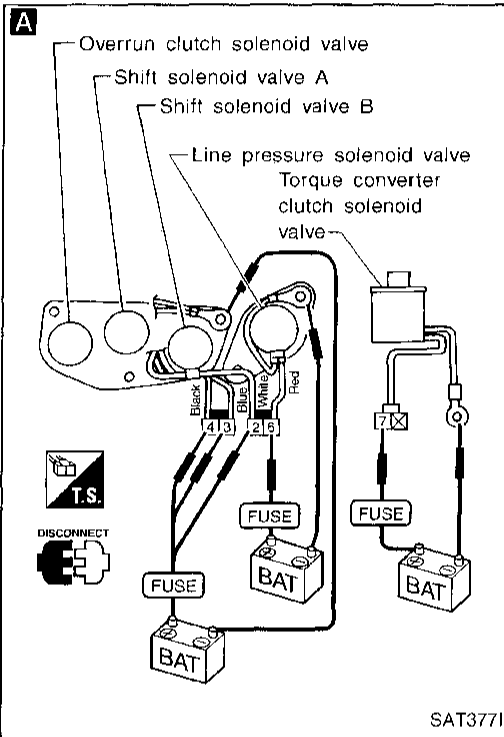
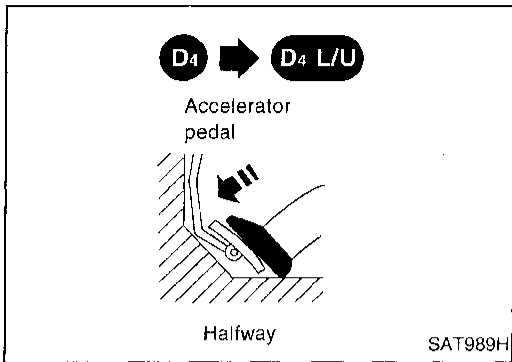
Improper Lock-up Operation (Cont'd)



GI
MA
EM
LC
EC
FE
CL
MT
AT
TF
PD
FA
RA
BR
ST
RS
BT
HA
EL
IDX

TROUBLE DIAGNOSIS FOR DTC P0744

Improper Lock-up Operation (Cont'd)



TROUBLE DIAGNOSIS FOR DTC P0744

Improper Lock-up Operation (Cont'd)

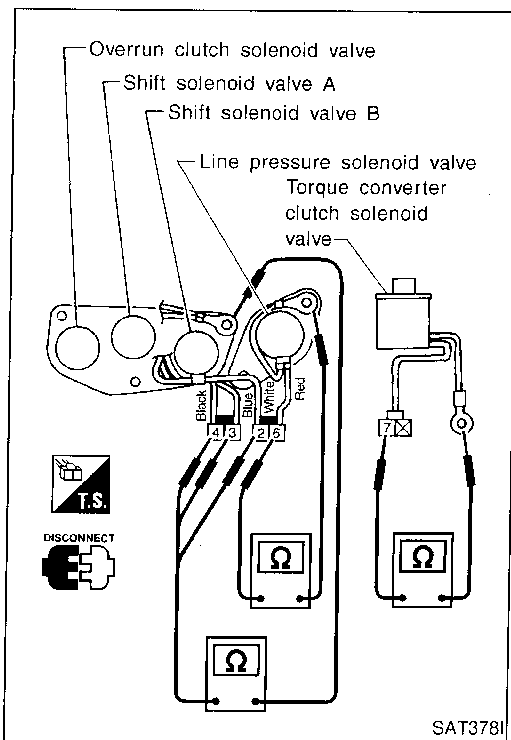
COMPONENT INSPECTION

Solenoid valves

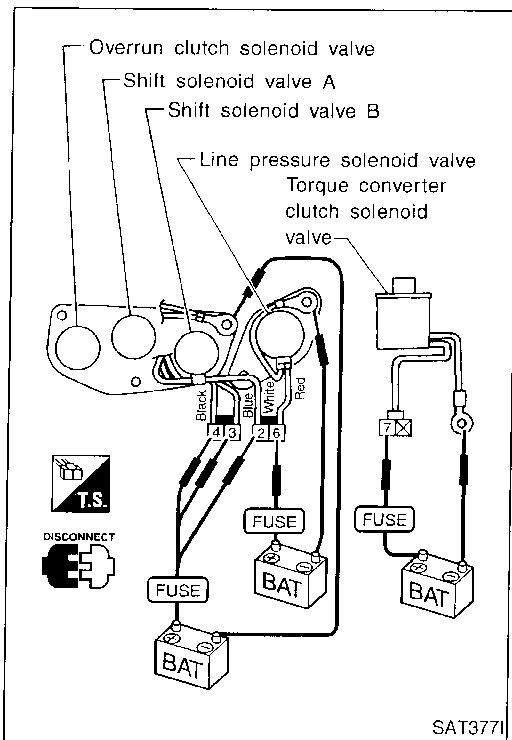
- For removal, refer to AT-132.

Resistance check

- Check resistance between two terminals.



Solenoid valve	Terminal No.	Resistance (Approx.)
Shift solenoid valve A	③	20 - 40Ω
Shift solenoid valve B	②	
Overrun clutch solenoid valve	④	Ground
Line pressure solenoid valve	⑥	
Torque converter clutch solenoid valve	⑦	



Operation check

- Check solenoid valve by listening for its operating sound while applying battery voltage to the terminal and ground.

GI

MA

EM

LC

EC

FE

CL

MT

AT

TF

PD

FA

RA

BR

ST

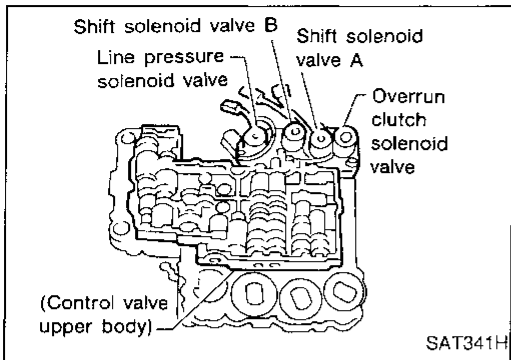
RS

BT

HA

EL




IDX

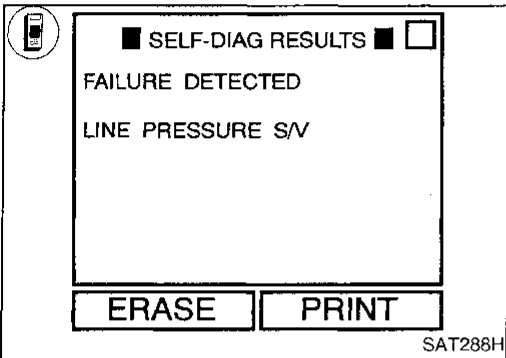


Line Pressure Solenoid Valve

DESCRIPTION


The line pressure solenoid valve regulates the oil pump discharge pressure to suit the driving condition in response to a signal sent from the A/T control unit.

Diagnostic trouble code	Malfunction is detected when ...	Check item (Possible cause)
 : LINE PRESSURE S/V  : P0745  : 10th judgement flicker	A/T control unit detects an improper voltage drop when it tries to operate the solenoid valve.	<ul style="list-style-type: none"> • Harness or connectors (The solenoid circuit is open or shorted.) • Line pressure solenoid valve




Diagnostic Trouble Code (DTC) confirmation procedure


After the repair, perform the following procedure to confirm the malfunction is eliminated.

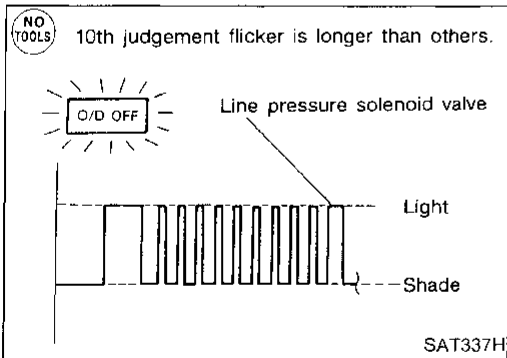
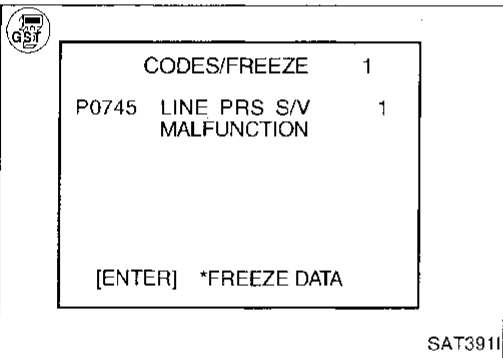
-  1) Start engine.
 2) Select "SELF-DIAG RESULTS" mode with CONSULT.
 3) With brake pedal depressed, shift the lever from "P" → "N" → "D" → "N" → "P".

OR

-  1) Start engine.
 2) With brake pedal depressed, shift the lever from "P" → "N" → "D" → "N" → "P".
 3) Select "MODE 7" with GST.

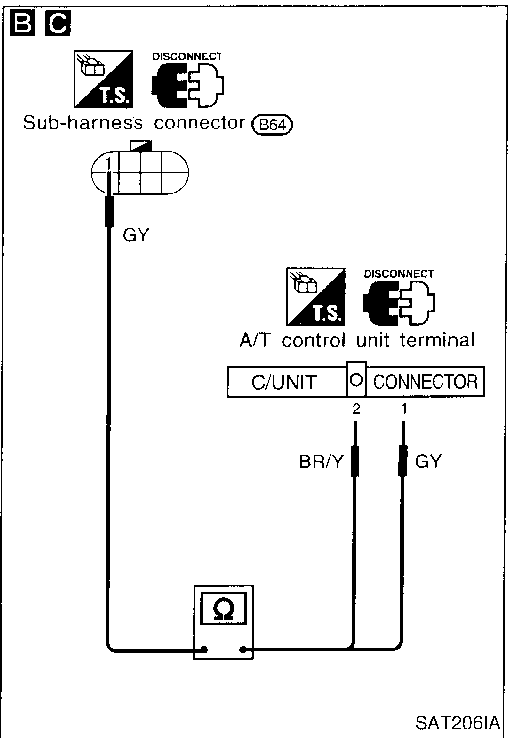
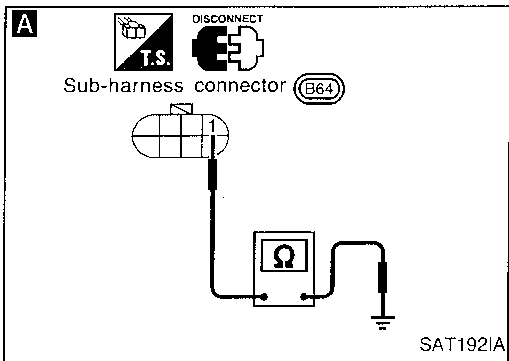
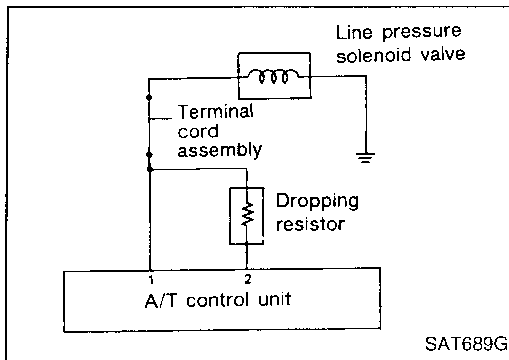
OR

-  1) Start engine.
 2) With brake pedal depressed, shift the lever from "P" → "N" → "D" → "N" → "P".
 3) Perform self-diagnosis.
 Refer to SELF-DIAGNOSTIC PROCEDURE (No Tools), AT-23.



TROUBLE DIAGNOSIS FOR DTC P0745

Line Pressure Solenoid Valve (Cont'd)



A

CHECK GROUND CIRCUIT.

1. Turn ignition switch to "OFF" position.
2. Disconnect terminal cord assembly connector in engine compartment.
3. Check resistance between terminal ① and ground.

Resistance: 2.5 - 5Ω

NG

1. Remove control valve assembly. Refer to AT-132.
2. Check the following items:
 - Line pressure solenoid valve Refer to "Component Inspection" on next page.
 - Harness of terminal cord assembly for short or open

OK

B

CHECK POWER SOURCE CIRCUIT.

1. Turn ignition switch to "OFF" position.
2. Disconnect A/T control unit harness connector.
3. Check resistance between terminal ① and A/T control unit harness connector terminal ②.

Resistance: 11.2 - 12.8Ω

NG

Check the following items:

- Dropping resistor Refer to "Component Inspection" on next page.
- Harness for short or open between A/T control unit terminal ② and terminal cord assembly (Main harness)

OK

C

CHECK POWER SOURCE CIRCUIT.

1. Turn ignition switch to "OFF" position.
2. Check resistance between terminal ① and A/T control unit harness connector terminal ①.

Resistance: Approximately 0Ω

3. Reinstall any part removed.

NG

Repair or replace harness between A/T control unit terminal ① and terminal cord assembly.

OK

Perform Diagnostic Trouble Code (DTC) confirmation procedure, AT-88.

NG

1. Perform A/T control unit input/output signal inspection.
2. If NG, recheck A/T control unit pin terminals for damage or loose connection with harness connector.

OK

INSPECTION END

GI
MA
EM
LC
EC
FE
CL
MT
AT
TF
PD
FA
RA
BR
ST
RS
BT
HA
EL
IDX

TROUBLE DIAGNOSIS FOR DTC P0745

Line Pressure Solenoid Valve (Cont'd)

COMPONENT INSPECTION

Line pressure solenoid valve

- For removal, refer to AT-132.

Resistance check

- Check resistance between two terminals.

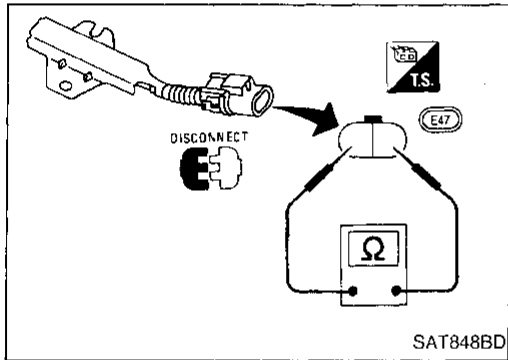
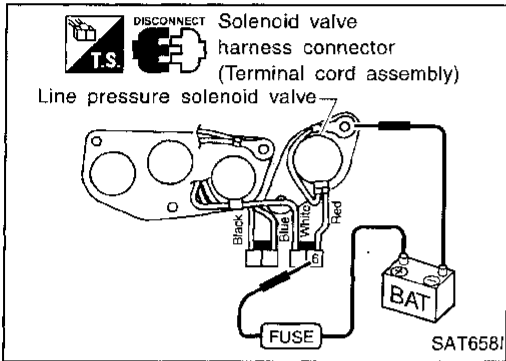
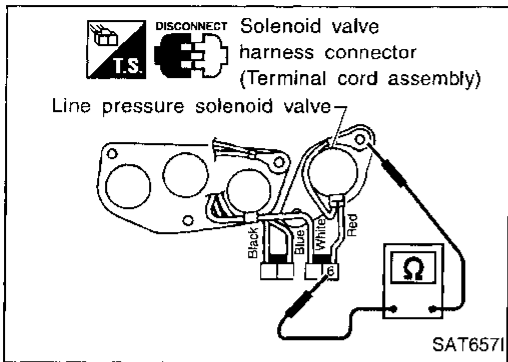
Solenoid valve	Terminal No.		Resistance (Approx.)
Line pressure solenoid valve	⑥	Ground	2.5 - 5Ω

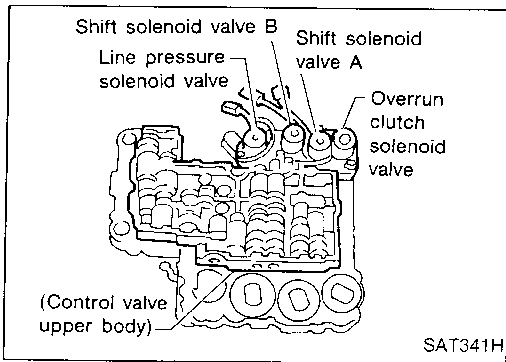
Operation check

- Check solenoid valve by listening for its operating sound while applying battery voltage to the terminal and ground.

Dropping resistor

- Check resistance between two terminals.
Resistance: 11.2 - 12.8Ω



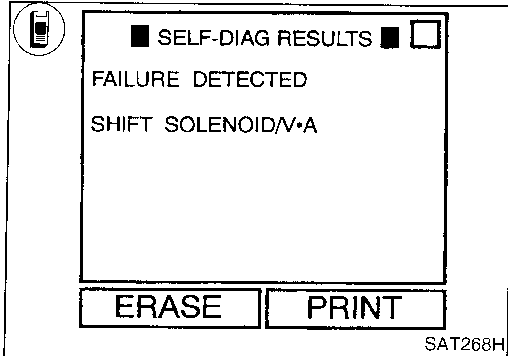


Shift Solenoid Valve A

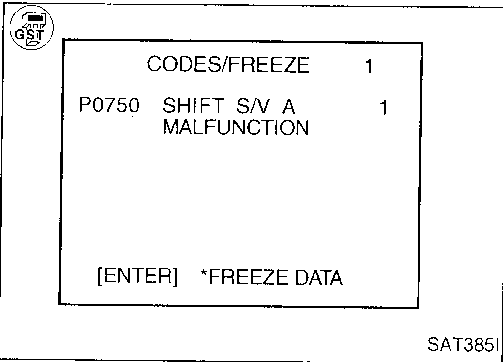
DESCRIPTION

Shift solenoid valves A and B are turned "ON" or "OFF" by the A/T control unit in response to signals sent from the inhibitor switch, vehicle speed and throttle position sensors. Gears will then be shifted to the optimum position.

Gear position	1	2	3	4
Shift solenoid valve A	ON	OFF	OFF	ON
Shift solenoid valve B	ON	ON	OFF	OFF



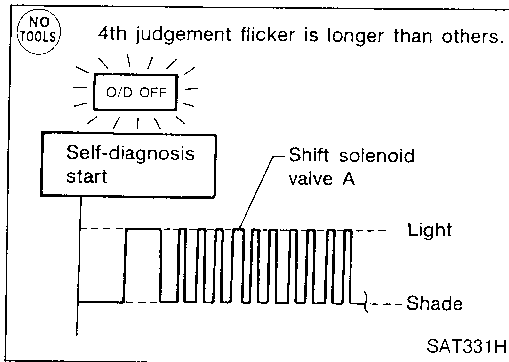
Diagnostic trouble code	Malfunction is detected when ...	Check item (Possible cause)
<ul style="list-style-type: none"> : SHIFT SOLENOID/V-A : P0750 : 4th judgement flicker 	A/T control unit detects an improper voltage drop when it tires to operate the solenoid valve.	<ul style="list-style-type: none"> • Harness or connectors (The solenoid circuit is open or shorted.) • Shift solenoid valve A



Diagnostic Trouble Code (DTC) confirmation procedure

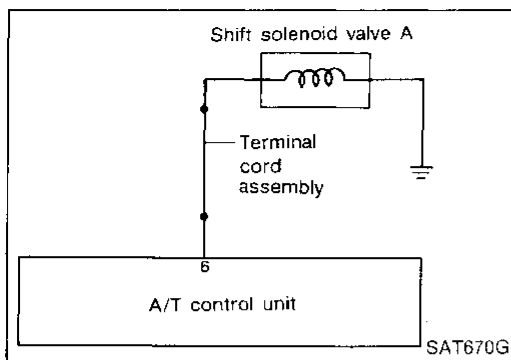
After the repair, perform the following procedure to confirm the malfunction is eliminated.

- 1) Start engine.
 - 2) Select "SELF-DIAG RESULTS" mode with CONSULT.
 - 3) Drive vehicle in D₁ → D₂ position.
- OR
- 1) Start engine.
 - 2) Drive vehicle in D₁ → D₂ position.
 - 3) Select "MODE 7" with GST.
- OR
- 1) Start engine.
 - 2) Drive vehicle in D₁ → D₂ position.
 - 3) Perform self-diagnosis.
Refer to SELF-DIAGNOSTIC PROCEDURE (No Tools), AT-23.



TROUBLE DIAGNOSIS FOR DTC P0750

Shift Solenoid Valve A (Cont'd)



A

CHECK GROUND CIRCUIT.

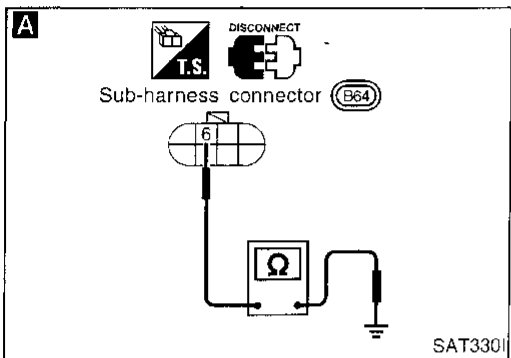
1. Turn ignition switch to "OFF" position.
2. Disconnect terminal cord assembly connector in engine compartment.
3. Check resistance between terminal ⑥ and ground.

Resistance: 20 - 40Ω

NG

1. Remove control valve assembly. Refer to AT-132.
2. Check the following items:
 - Shift solenoid valve A Refer to "Component Inspection" below.
 - Harness of terminal cord assembly for short or open

OK



B

CHECK POWER SOURCE CIRCUIT.

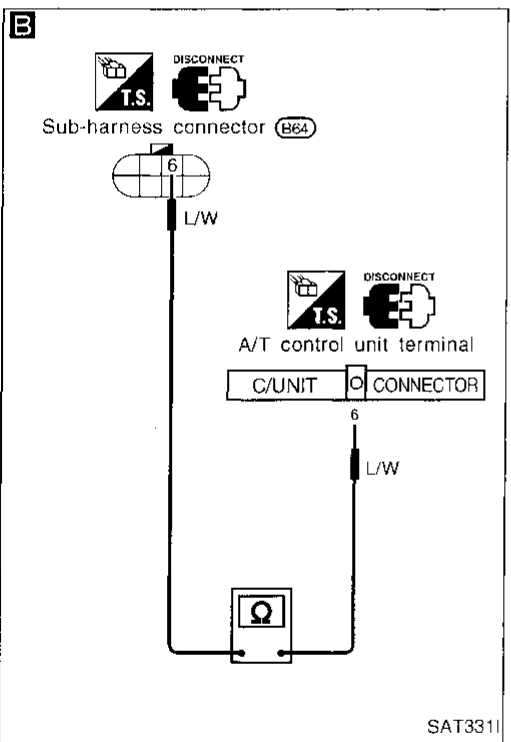
1. Turn ignition switch to "OFF" position.
2. Disconnect A/T control unit harness connector.
3. Check resistance between terminal ⑥ and A/T control unit harness connector terminal ⑥.
4. Reinstall any part removed.

Resistance: Approximately 0Ω

NG

Repair or replace harness between A/T control unit and terminal cord assembly. (Main harness)

OK



Perform Diagnostic Trouble Code (DTC) confirmation procedure, AT-91.

NG

1. Perform A/T control unit input/output signal inspection.
2. If NG, recheck A/T control unit pin terminals for damage or loose connection with harness connector.

OK

INSPECTION END

COMPONENT INSPECTION

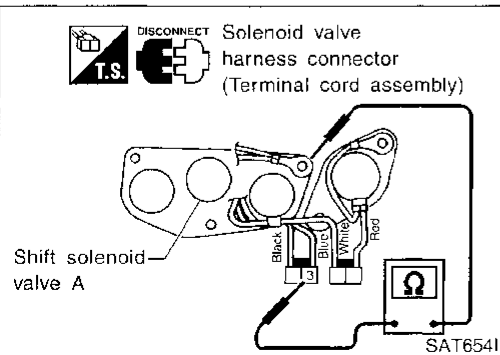
Shift solenoid valve A

- For removal, refer to AT-132.

Resistance check

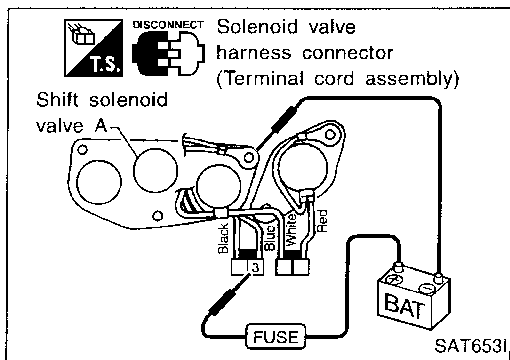
- Check resistance between two terminals.

Solenoid valve	Terminal No.		Resistance (Approx.)
Shift solenoid valve A	③	Ground	20 - 40Ω



TROUBLE DIAGNOSIS FOR DTC P0750

Shift Solenoid Valve A (Cont'd)



Operation check

- Check solenoid valve by listening for its operating sound while applying battery voltage to the terminal and ground.

GI

MA

EM

LC

EC

FE

CL

MT

AT

TF

PD

FA

RA

BR

ST

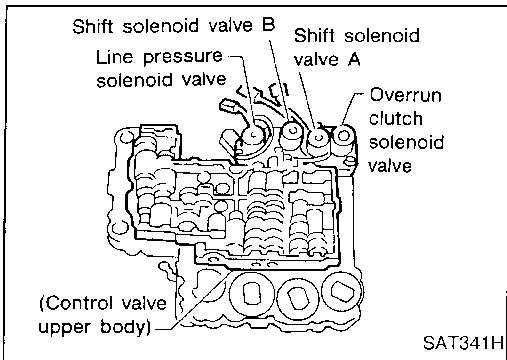
RS

BT

HA

EL

DX

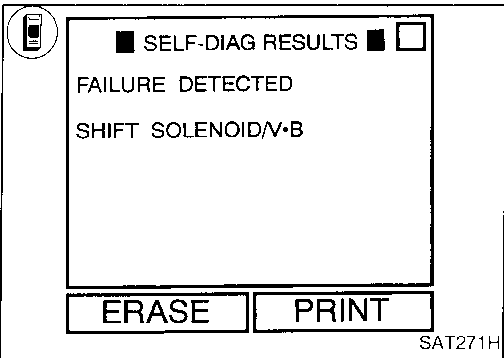


Shift Solenoid Valve B

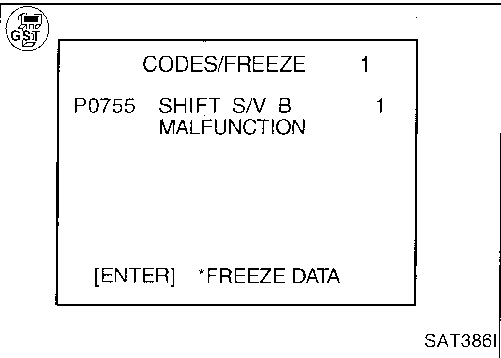
DESCRIPTION

Shift solenoid valves A and B are turned "ON" or "OFF" by the A/T control unit in response to signals sent from the inhibitor switch, vehicle speed and throttle position sensors. Gears will then be shifted to the optimum position.

Gear position	1	2	3	4
Shift solenoid valve A	ON	OFF	OFF	ON
Shift solenoid valve B	ON	ON	OFF	OFF



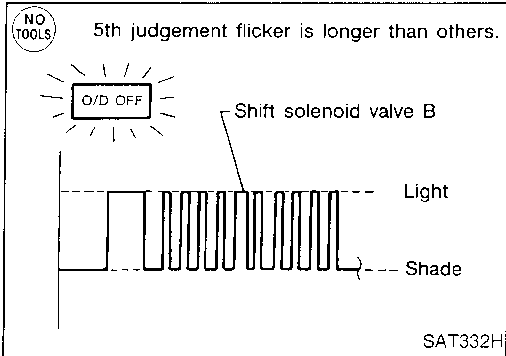
Diagnostic trouble code	Malfunction is detected when ...	Check item (Possible cause)
: SHIFT SOLENOID/V-B : P0755 : 5th judgement flicker	A/T control unit detects an improper voltage drop when it tries to operate the solenoid valve.	<ul style="list-style-type: none"> • Harness or connectors (The solenoid circuit is open or shorted.) • Shift solenoid valve B



Diagnostic Trouble Code (DTC) confirmation procedure

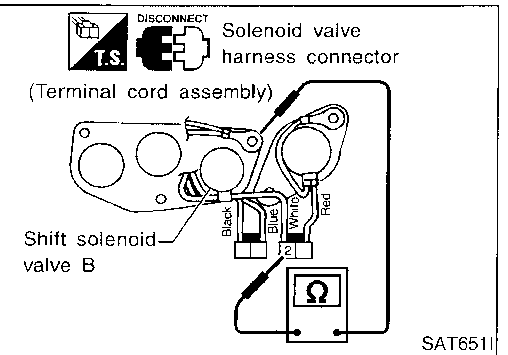
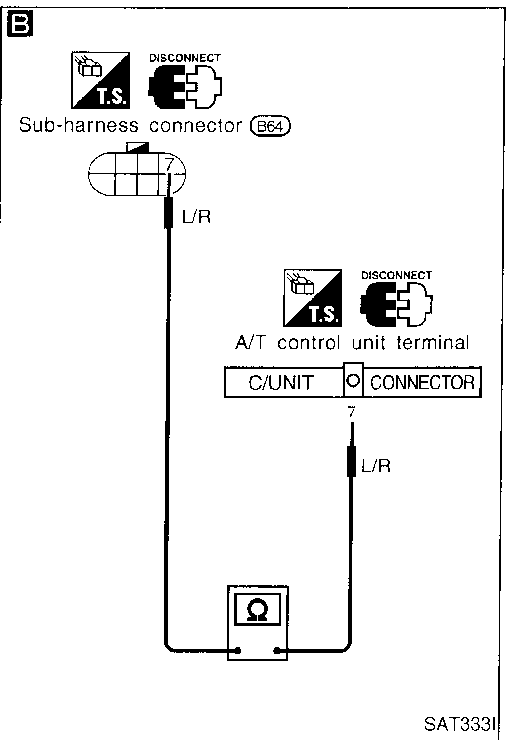
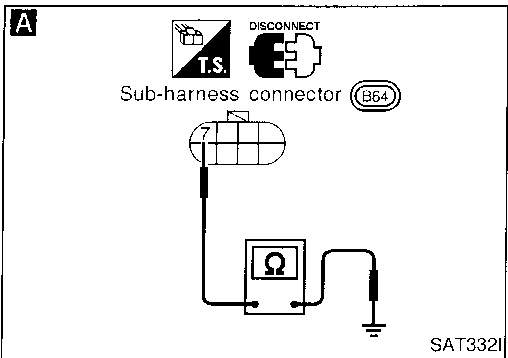
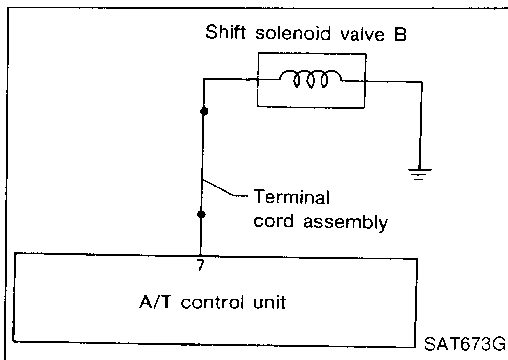
After the repair, perform the following procedure to confirm the malfunction is eliminated.

- 1) Start engine.
 2) Select "SELF-DIAG RESULTS" mode with CONSULT.
 3) Drive vehicle in D₁ → D₂ → D₃ position.
- OR
- 1) Start engine.
 2) Drive vehicle in D₁ → D₂ → D₃ position.
 3) Select "MODE 7" with GST.
- OR
- 1) Start engine.
 2) Drive vehicle in D₁ → D₂ → D₃ position.
 3) Perform self-diagnosis.
 Refer to SELF-DIAGNOSTIC PROCEDURE (No Tools), AT-23.



TROUBLE DIAGNOSIS FOR DTC P0755

Shift Solenoid Valve B (Cont'd)



A

CHECK GROUND CIRCUIT.

1. Turn ignition switch to "OFF" position.
2. Disconnect terminal cord assembly connector in engine compartment.
3. Check resistance between terminal ⑦ and ground.
Resistance: 20 - 40Ω

NG → 1. Remove control valve assembly. Refer to AT-132.
2. Check the following items:
• Shift solenoid valve B Refer to "Component Inspection" below.
• Harness of terminal cord assembly for short or open

OK ↓

B

CHECK POWER SOURCE CIRCUIT.

1. Turn ignition switch to "OFF" position.
2. Disconnect A/T control unit harness connector.
3. Check resistance between terminal ⑦ and A/T control unit harness connector terminal ⑦.
Resistance: Approximately 0Ω
4. Reinstall any part removed.

NG → Repair or replace harness between A/T control unit and terminal cord assembly. (Main harness)

OK ↓

Perform Diagnostic Trouble Code (DTC) confirmation procedure, AT-94.

NG → 1. Perform A/T control unit input/output signal inspection.
2. If NG, recheck A/T control unit pin terminals for damage or loose connection with harness connector.

OK ↓

INSPECTION END

COMPONENT INSPECTION

Shift solenoid valve B

- For removal, refer to AT-132.

Resistance check

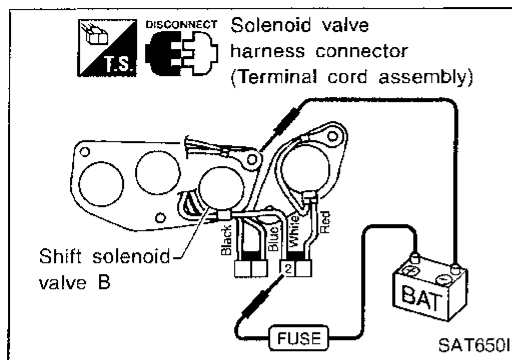
- Check resistance between two terminals.

Solenoid valve	Terminal No.		Resistance (Approx.)
Shift solenoid valve B	②	Ground	20 - 40Ω

GI
MA
EM
LC
EC
FE
CL
WT
AT
TF
PD
FA
PA
BR
ST
RS
BT
HA
EL
IDX

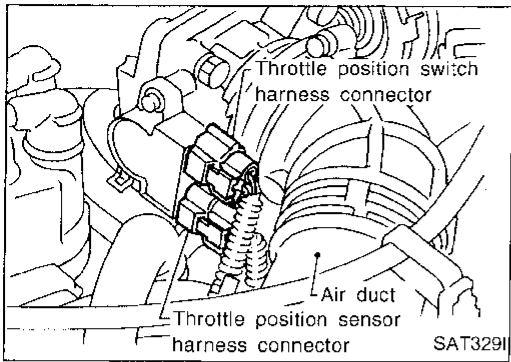
TROUBLE DIAGNOSIS FOR DTC P0755

Shift Solenoid Valve B (Cont'd)



Operation check

- Check solenoid valve by listening for its operating sound while applying battery voltage to the terminal and ground.

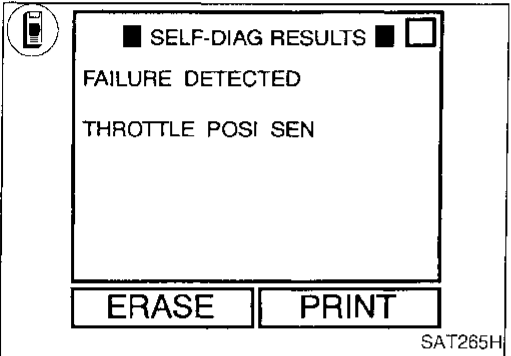


Throttle Position Sensor

DESCRIPTION

The throttle position sensor detects the throttle valve position and sends a signal to the A/T control unit.

Diagnostic trouble code	Malfunction is detected when ...	Check item (Possible cause)
: THROTTLE POSITION : P1705 : 3rd judgement flicker	A/T control unit receives an excessively low or high voltage from the sensor.	<ul style="list-style-type: none"> • Harness or connectors (The sensor circuit is open or shorted.) • Throttle position sensor



Diagnostic Trouble Code (DTC) confirmation procedure

After the repair, perform the following procedure to confirm the malfunction is eliminated.

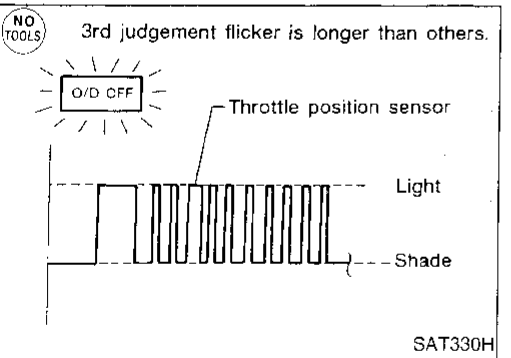
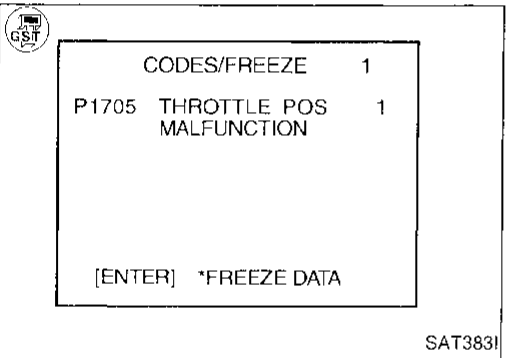
- 1) Start engine.
 2) Select "SELF-DIAG RESULTS" mode with CONSULT.
 3) Drive vehicle under the following conditions:
 Selector lever in "D", vehicle speed higher than 10 km/h (6 MPH), throttle opening greater than 1/2 of the full throttle position and driving for more than 3 seconds.

OR

- 1) Start engine.
 2) Drive vehicle under the following conditions:
 Selector lever in "D", vehicle speed higher than 10 km/h (6 MPH), throttle opening greater than 1/2 of the full throttle position and driving for more than 3 seconds.
 3) Select "MODE 7" with GST.

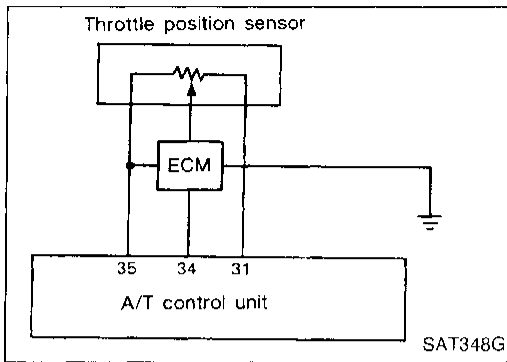
OR

- 1) Start engine.
 2) Drive vehicle under the following conditions:
 Selector lever in "D", vehicle speed higher than 10 km/h (6 MPH), throttle opening greater than 1/2 of the full throttle position and driving for more than 3 seconds.
 3) Perform self-diagnosis.
 Refer to SELF-DIAGNOSTIC PROCEDURE (No Tools), AT-23.



TROUBLE DIAGNOSIS FOR DTC P1705

Throttle Position Sensor (Cont'd)

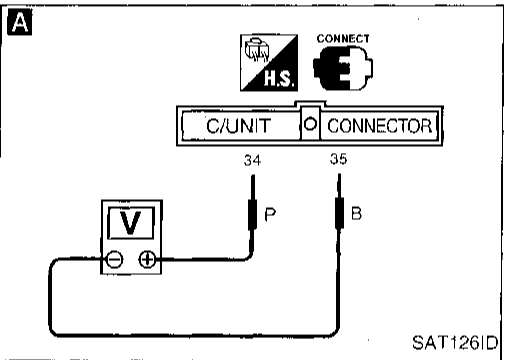


A

☆ MONITOR	☆ NO FAIL	
VHCL/S SE•A/T	0km/h	
VHCL/S SE•MTR	5km/h	
THRTL POS SEN	0.4V	
FLUID TEMP SE	1.2V	
BATTERY VOLT	13.4V	
ENGINE SPEED	1024rpm	
OVERDRIVE SW	O N	
P/N POSI SW	O N	
R POSITION SW	OFF	

RECORD

SAT076H



Perform diagnostic test mode II (self-diagnostic results) for engine control. Refer to EC section ["Malfunction Indicator Lamp (MIL)", "ON BOARD DIAGNOSTIC SYSTEM DESCRIPTION"].

NG Check throttle position sensor circuit for engine control. Refer to EC section ["Throttle Position Sensor (DTC : 0403)", "TROUBLE DIAGNOSIS FOR DTC P0120"].

A

CHECK INPUT SIGNAL.

1. Turn ignition switch to "ON" position. (Do not start engine.)
2. Select "ECU INPUT SIGNALS" in Data Monitor.
3. Read out the value of "THRTL POS SEN".

NG Check harness for short or open between ECM and A/T control unit regarding throttle position sensor circuit. (Main harness)

Voltage:
Fully-closed throttle:
 Approximately 0.5V
Fully-open throttle:
 Approximately 4V

- OR
1. Turn ignition switch to "ON" position. (Do not start engine.)
 2. Check voltage between A/T control unit terminals ③④ and ③⑤ while accelerator pedal is depressed slowly.

Voltage:
Fully-closed throttle valve:
 Approximately 0.5V
Fully-open throttle valve:
 Approximately 4V
 (Voltage rises gradually in response to throttle position)

CHECK THROTTLE POSITION SWITCH. Refer to "TROUBLE DIAGNOSIS FOR DTC P0705", "CHECK THROTTLE POSITION SWITCH CIRCUIT", AT-58.

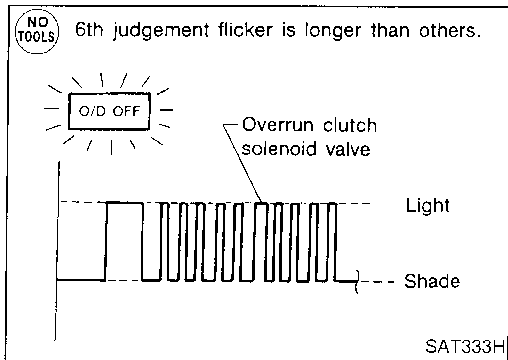
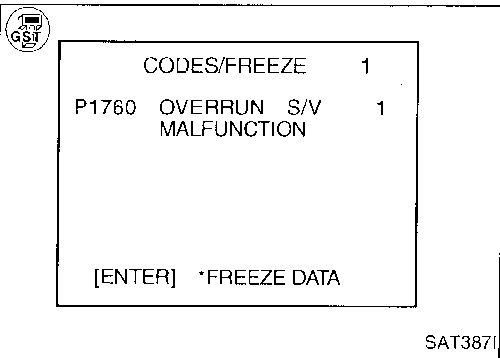
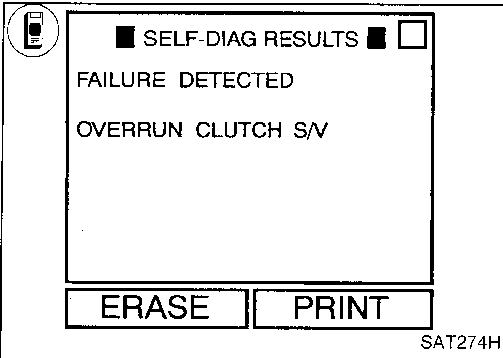
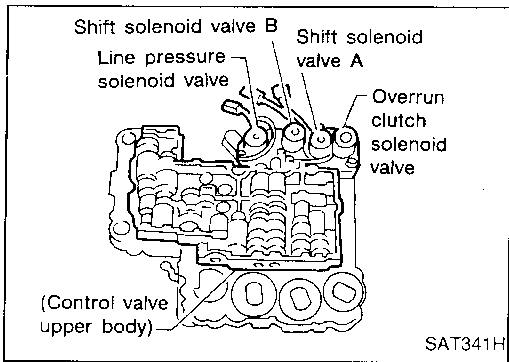
NG Repair or replace damaged parts.

Perform Diagnostic Trouble Code (DTC) confirmation procedure, AT-97.

NG

1. Perform A/T control unit input/output signal inspection.
2. If NG, recheck A/T control unit pin terminals for damage or loose connection with harness connector.

INSPECTION END



Overrun Clutch Solenoid Valve

DESCRIPTION

The overrun clutch solenoid valve is activated by the A/T control unit in response to signals sent from the inhibitor switch, overdrive control switch, vehicle speed and throttle position sensors. The overrun clutch operation will then be controlled.

Diagnostic trouble code	Malfunction is detected when ...	Check item (Possible cause)
<ul style="list-style-type: none"> : OVERRUN CLUTCH S/V : P1760 : 6th judgement flicker 	A/T control unit detects an improper voltage drop when it tries to operate the solenoid valve.	<ul style="list-style-type: none"> • Harness or connectors (The solenoid circuit is open or shorted.) • Overrun clutch solenoid valve

Diagnostic Trouble Code (DTC) confirmation procedure

After the repair, perform the following procedure to confirm the malfunction is eliminated.

- 1) Start engine.
- 2) Select "SELF-DIAG RESULTS" mode with CONSULT.
- 3) Drive vehicle under the following conditions:
Selector lever in "D", overdrive control switch in "OFF" position and vehicle speed higher than 10 km/h (6 MPH).

OR

- 1) Start engine.
- 2) Drive vehicle under the following conditions:
Selector lever in "D", overdrive control switch in "OFF" position and vehicle speed higher than 10 km/h (6 MPH).
- 3) Select "MODE 7" with GST.

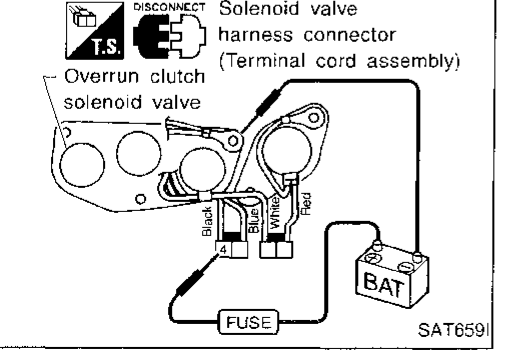
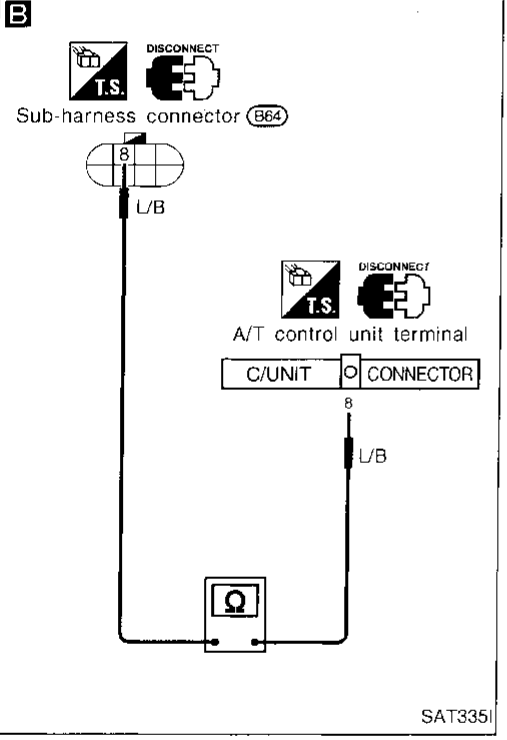
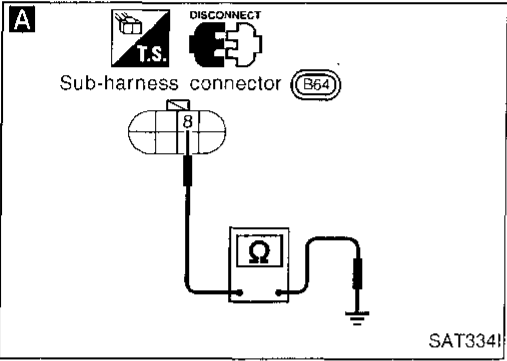
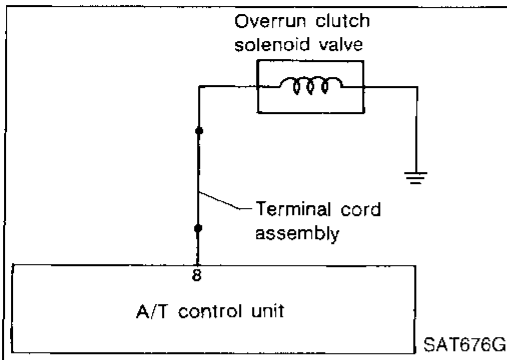
OR

- 1) Start engine.
- 2) Drive vehicle under the following conditions:
Selector lever in "D", overdrive control switch in "OFF" position and vehicle speed higher than 10 km/h (6 MPH).
- 3) Perform self-diagnosis.
Refer to SELF-DIAGNOSTIC PROCEDURE (No Tools), AT-23.

GI
 MA
 EM
 LC
 EC
 PE
 CL
 MT
 AT
 TF
 PD
 FA
 RA
 BR
 ST
 ES
 ET
 HA
 EL
 IDX

TROUBLE DIAGNOSIS FOR DTC P1760

Overrun Clutch Solenoid Valve (Cont'd)



A

CHECK GROUND CIRCUIT.

1. Turn ignition switch to "OFF" position.
2. Disconnect terminal cord assembly connector in engine compartment.
3. Check resistance between terminal ⑧ and ground.
Resistance: 20 - 40Ω

NG → 1. Remove control valve assembly. Refer to AT-132.
2. Check the following items:
• Overrun clutch solenoid valve Refer to "Component Inspection" below.
• Harness of terminal cord assembly for short or open

OK ↓

B

CHECK POWER SOURCE CIRCUIT.

1. Turn ignition switch to "OFF" position.
2. Disconnect A/T control unit harness connector.
3. Check resistance between terminal ⑧ and A/T control unit harness connector terminal ⑧.
Resistance: Approximately 0Ω
4. Reinstall any part removed.

NG → Repair or replace harness between A/T control unit and terminal cord assembly. (Main harness)

OK ↓

Perform Diagnostic Trouble Code (DTC) confirmation procedure, AT-99.

NG → 1. Perform A/T control unit input/output signal inspection.
2. If NG, recheck A/T control unit pin terminals for damage or loose connection with harness connector.

OK ↓

INSPECTION END

COMPONENT INSPECTION

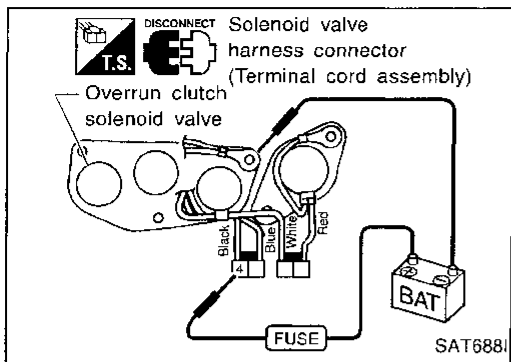
Overrun clutch solenoid valve

- For removal, refer to AT-132.
- Resistance check**
- Check resistance between two terminals.

Solenoid valve	Terminal No.		Resistance (Approx.)
Overrun clutch solenoid valve	④	Ground	20 - 40Ω

TROUBLE DIAGNOSIS FOR DTC P1760

Overrun Clutch Solenoid Valve (Cont'd)



Operation check

- Check solenoid valve by listening for its operating sound while applying battery voltage to the terminal and ground.

GI

MA

EM

LC

EC

FE

CL

MT

AT

TF

PD

FA

RA

BR

ST

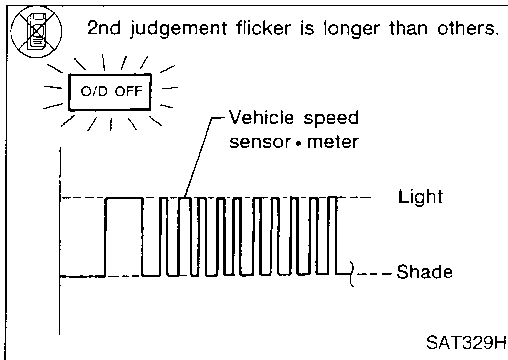
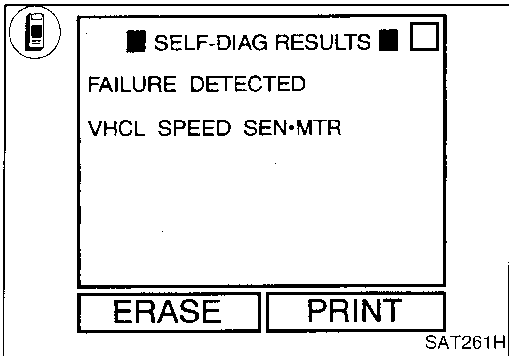
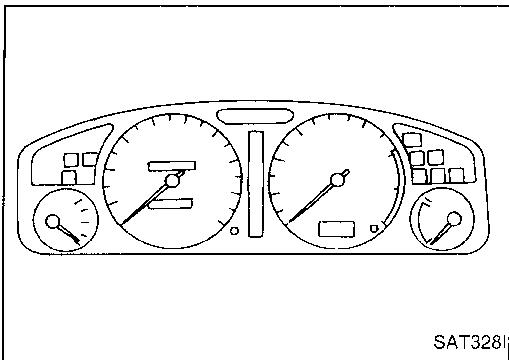
RS

BT

HA

EL



IDX



Vehicle Speed Sensor·MTR


DESCRIPTION

The vehicle speed sensor·MTR is built into the speedometer assembly. The sensor functions as an auxiliary device to the revolution sensor when it is malfunctioning. The A/T control unit will then use a signal sent from the vehicle speed sensor·MTR.


Diagnostic trouble code	Malfunction is detected when ...	Check item (Possible cause)
 : VHCL SPEED SEN·MTR	A/T control unit does not receive the proper voltage signal from the sensor.	<ul style="list-style-type: none"> • Harness or connectors (The sensor circuit is open or shorted.) • Vehicle speed sensor
 : 2nd judgement flicker		

Diagnostic Trouble Code (DTC) confirmation procedure

After the repair, perform the following procedure to confirm the malfunction is eliminated.

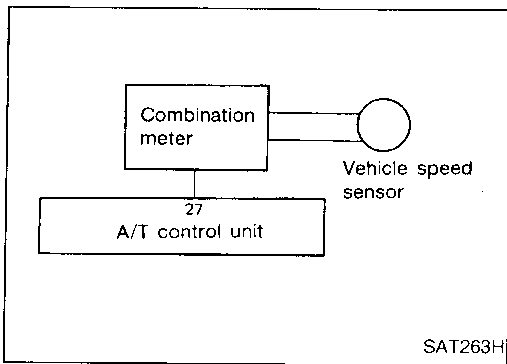
-  1) Start engine.
 2) Select "SELF-DIAG RESULTS" mode with CONSULT.
 3) Drive vehicle under the following conditions:
 Selector lever in "D" and vehicle speed higher than 20 km/h (12 MPH).

OR

-  1) Start engine.
 2) Drive vehicle under the following conditions:
 Selector lever in "D" and vehicle speed higher than 20 km/h (12 MPH).
 3) Perform self-diagnosis.
 Refer to SELF-DIAGNOSTIC PROCEDURE (No Tools), AT-23.

TROUBLE DIAGNOSIS FOR VHCL SPEED SEN-MTR

Vehicle Speed Sensor-MTR (Cont'd)

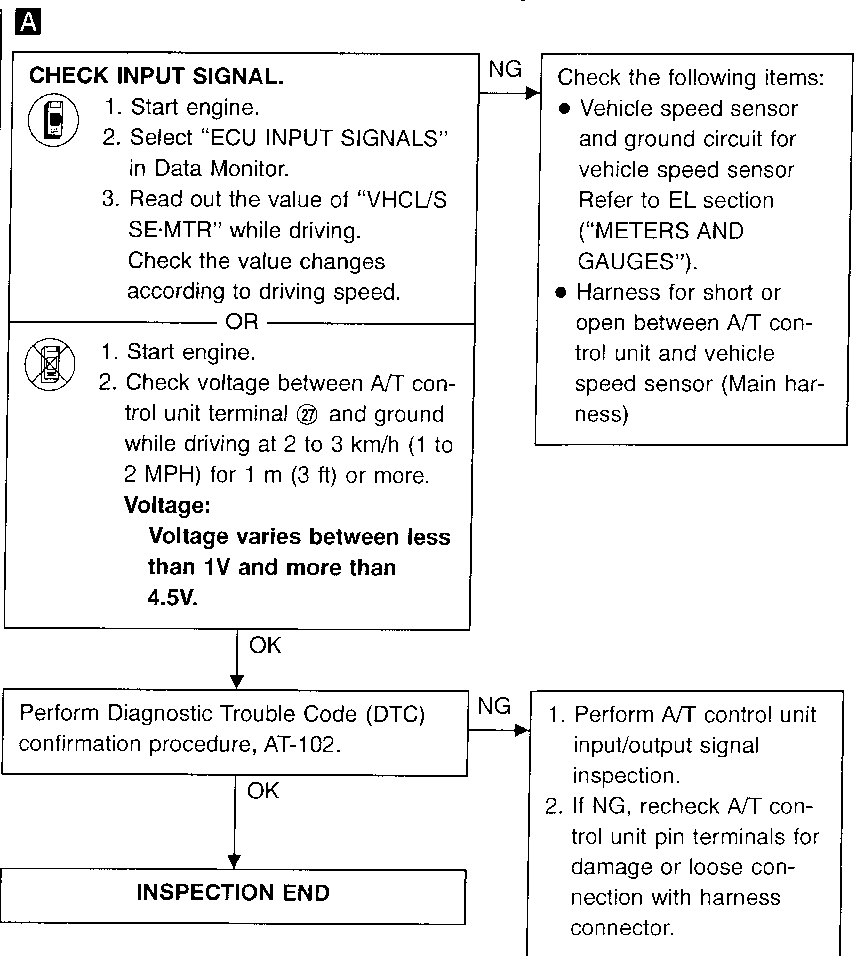
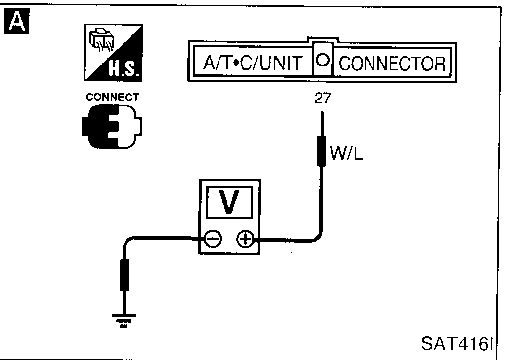


A

☆MONITOR	☆NO FAIL	
VHCL/S SE-A/T	0km/h	
VHCL/S SE-MTR	5km/h	
THRTL POS SEN	0.4V	
FLUID TEMP SE	1.2V	
BATTERY VOLT	13.4V	
ENGINE SPEED	1024rpm	
OVERDRIVE SW	O N	
P/N POSI SW	O N	
R POSITION SW	OFF	

RECORD

SAT076H



GI

MA

EW

IG

EC

FE

GL

MT

AT

TF

PD

FA

RA

BR

ST

RS

BT

HA

EL

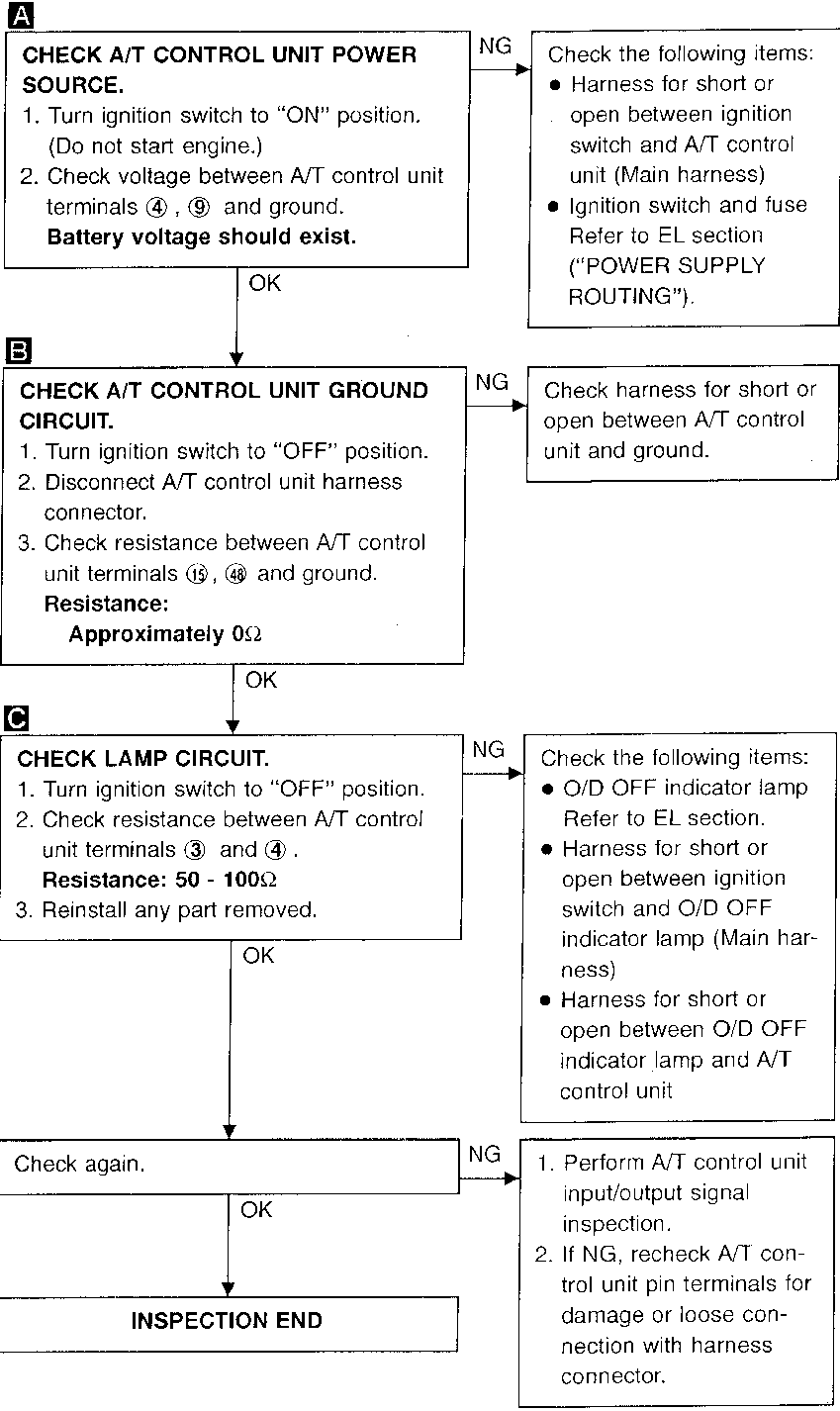
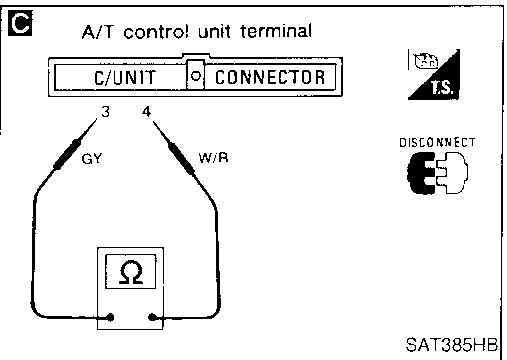
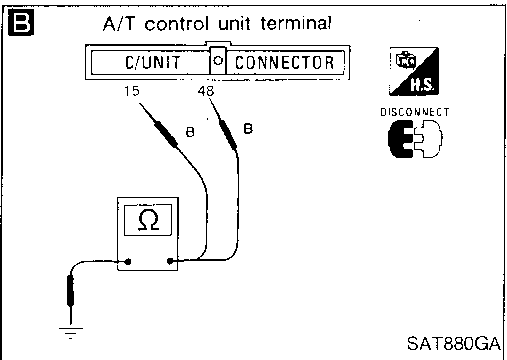
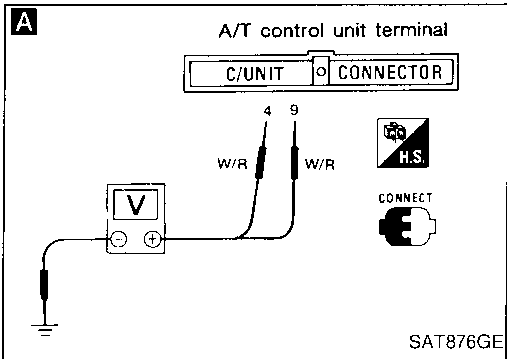
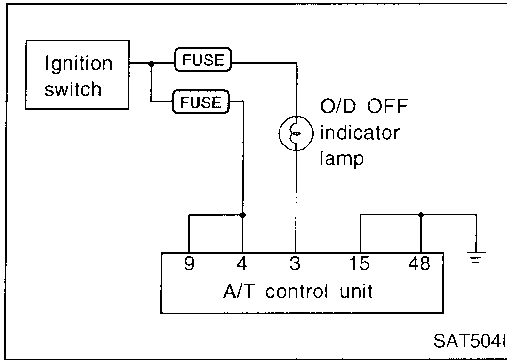
IDX

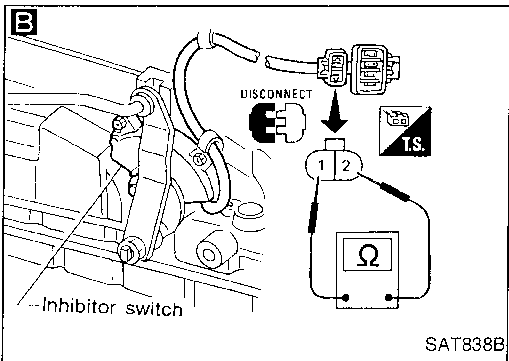
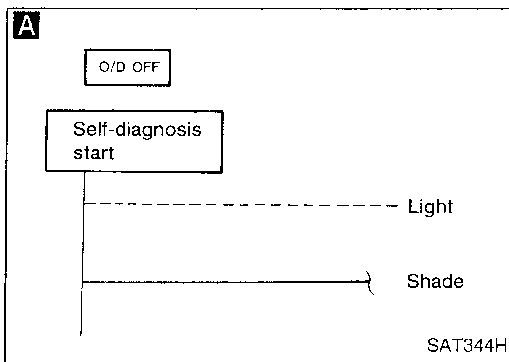
DIAGNOSTIC PROCEDURES FOR SYMPTOMS

1. O/D OFF Indicator Lamp Does Not Come On

SYMPTOM:

O/D OFF indicator lamp does not come on for about 2 seconds when turning ignition switch to "ON".

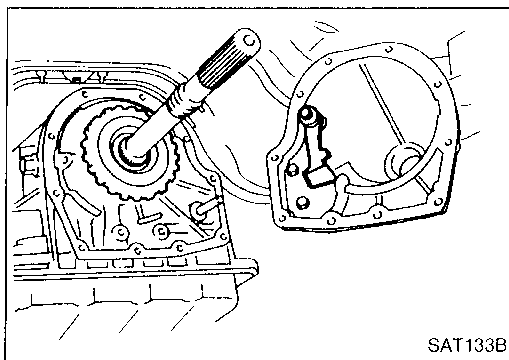
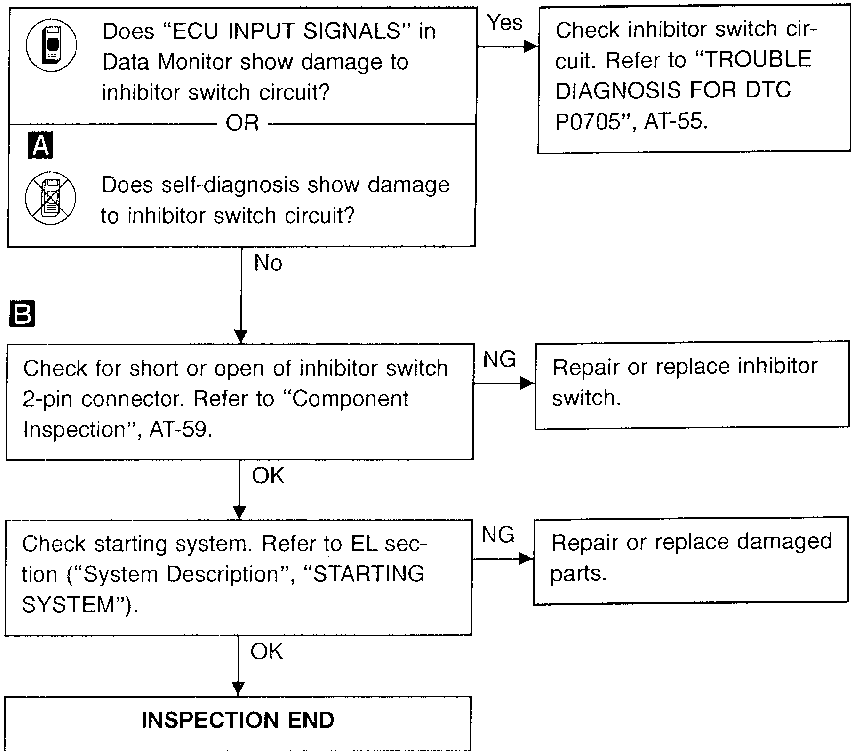




2. Engine Cannot Be Started In "P" and "N" Position

SYMPTOM:

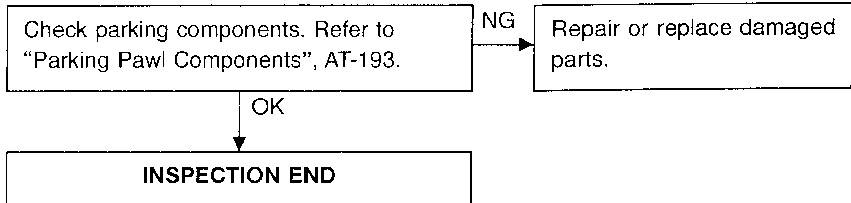
- Engine cannot be started with selector lever in "P" or "N" position.
- Engine can be started with selector lever in "D", "2", "1" or "R" position.



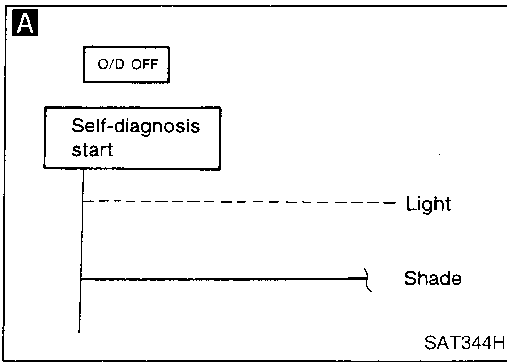
3. In "P" Position, Vehicle Moves Forward Or Backward When Pushed

SYMPTOM:

Vehicle moves when it is pushed forward or backward with selector lever in "P" position.



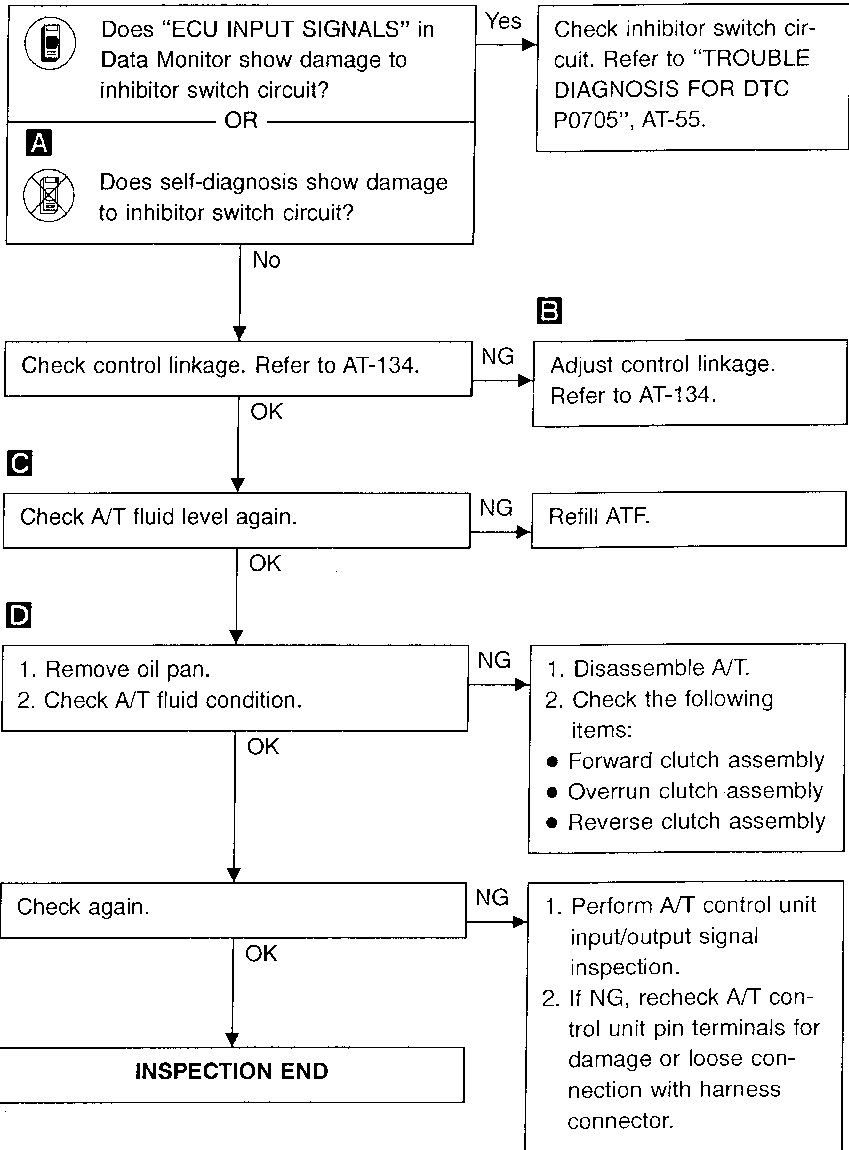
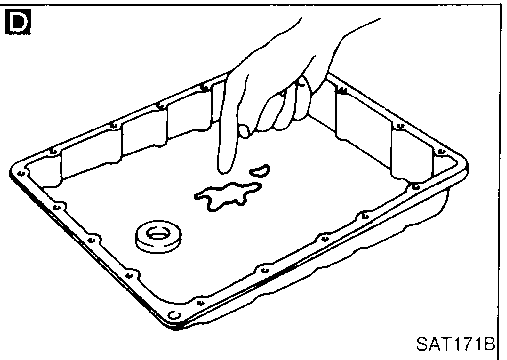
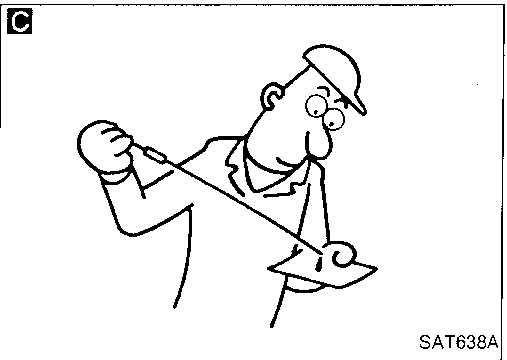
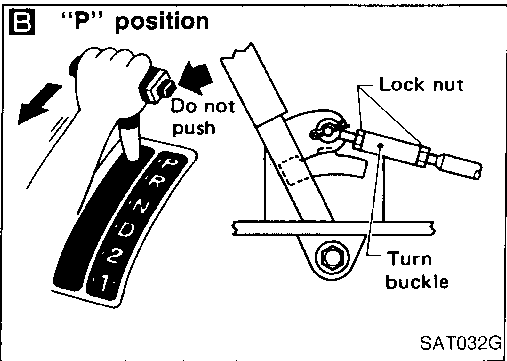
GI
 MA
 EM
 LC
 EC
 FE
 CL
 MT
 AT
 TF
 PD
 FA
 RA
 BR
 ST
 RS
 BT
 HA
 EL
 IDX



4. In "N" Position, Vehicle Moves

SYMPTOM:

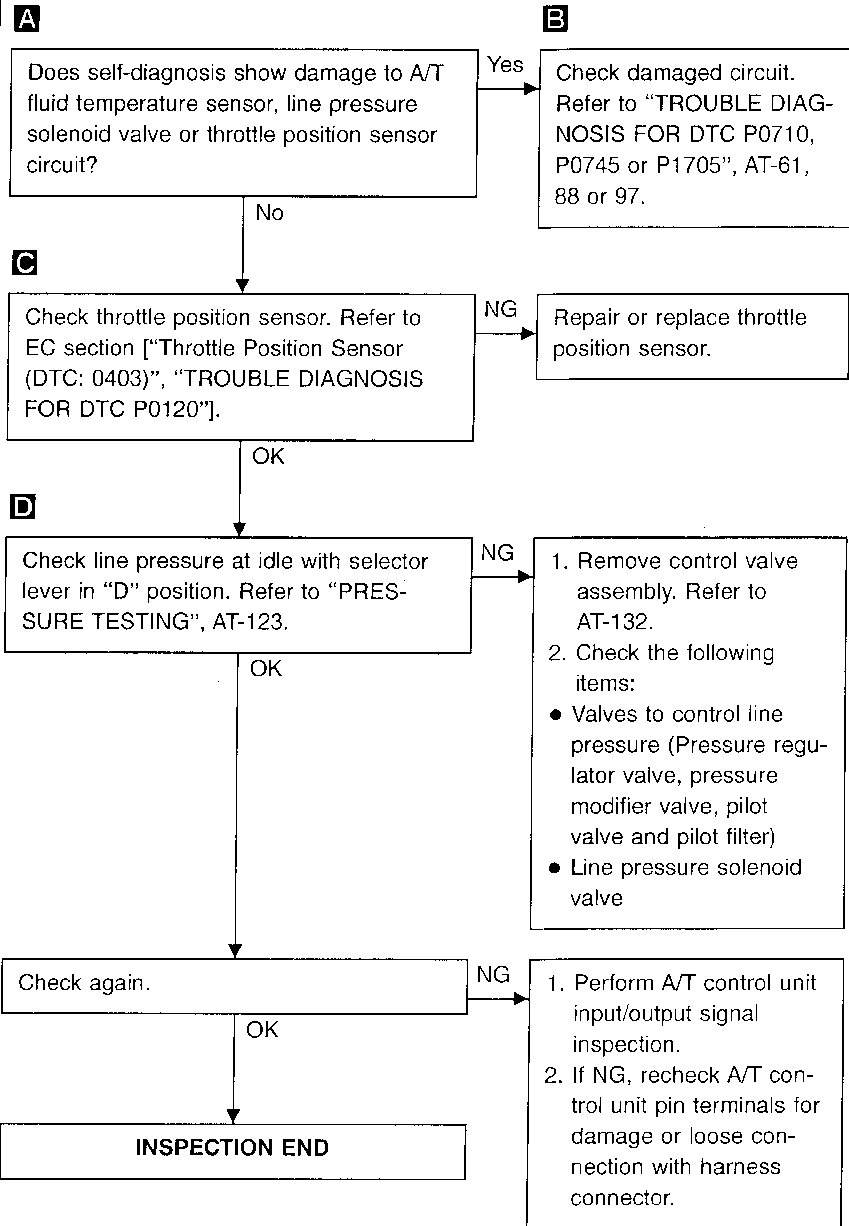
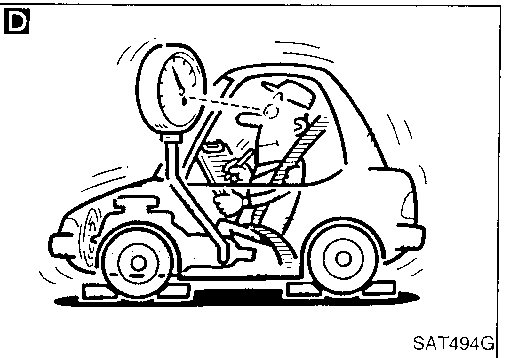
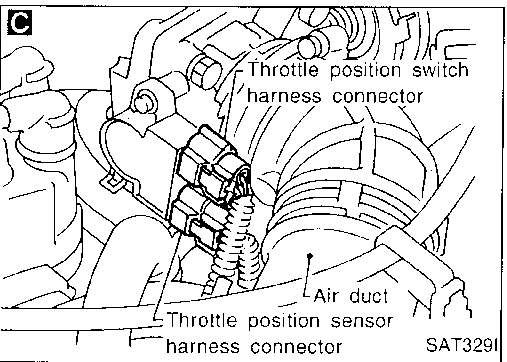
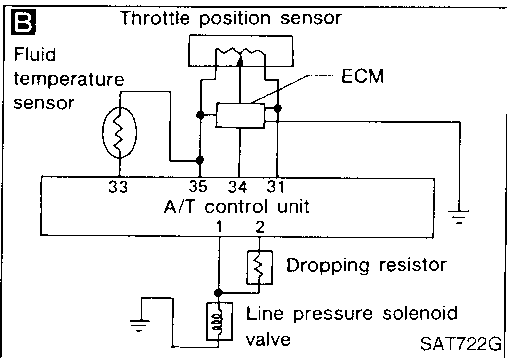
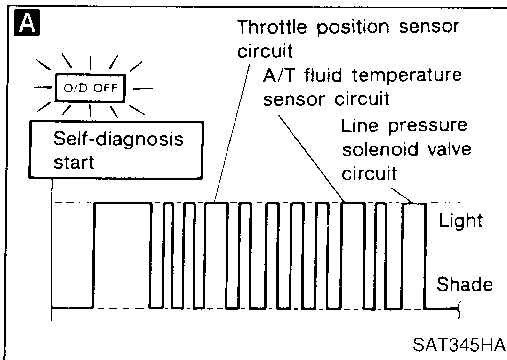
Vehicle moves forward or backward when selecting "N" position.



5. Large Shock. "N" → "R" Position

SYMPTOM:

There is large shock when changing from "N" to "R" position.



GI

MA

EM

IC

EC

FE

CL

MT

AT

TF

PD

FA

RA

BR

ST

RS

BT

HA

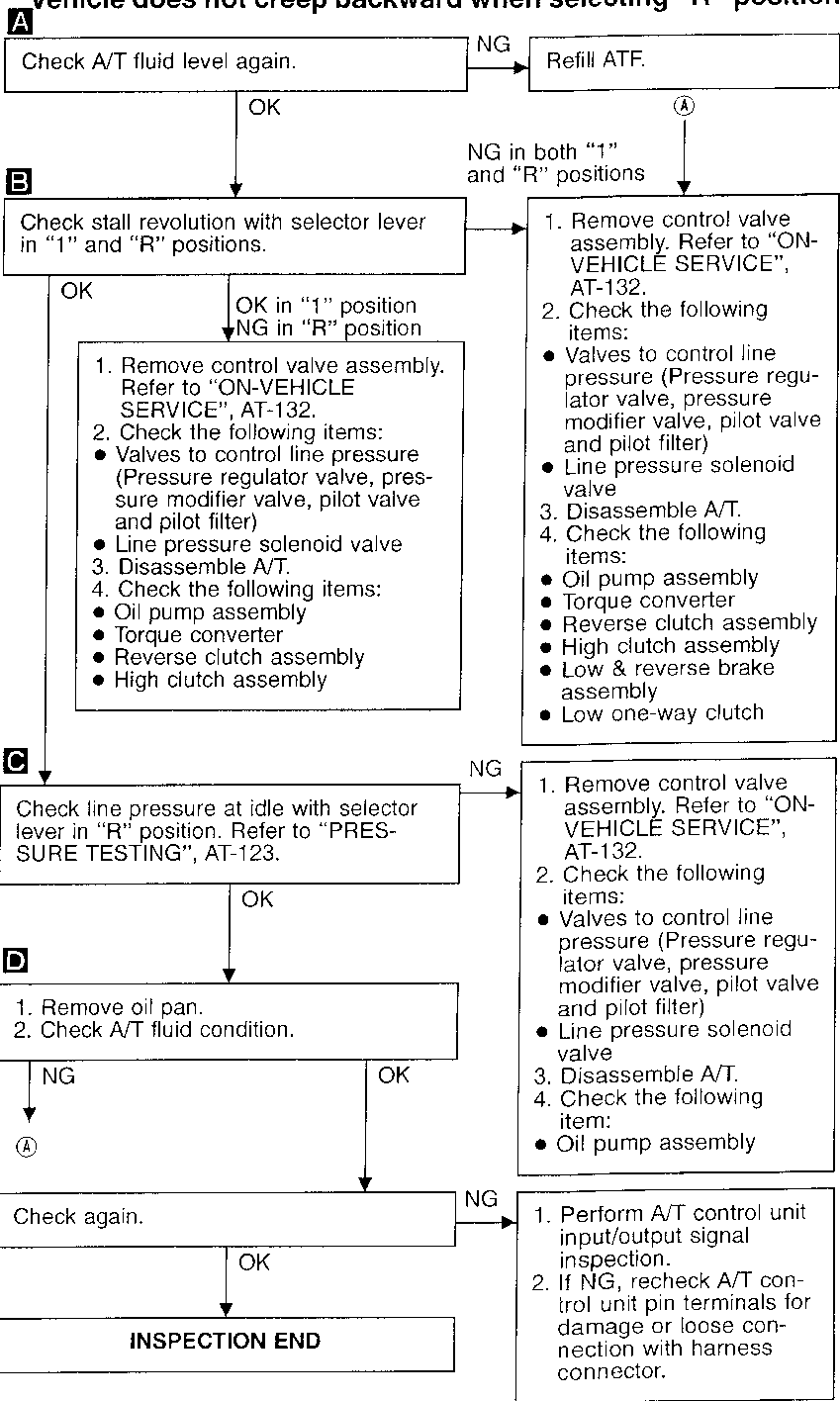
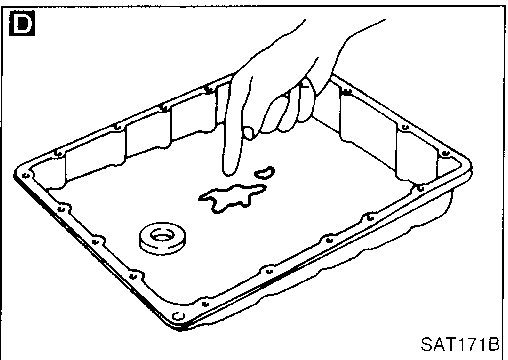
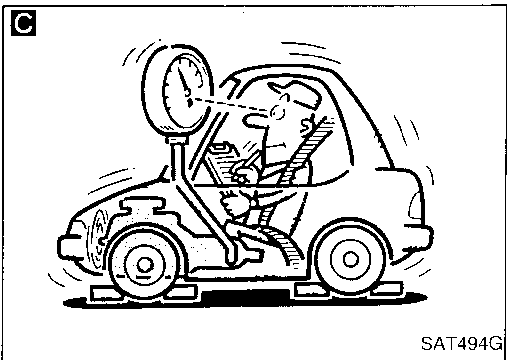
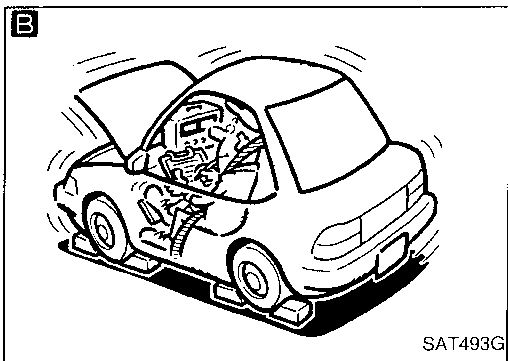
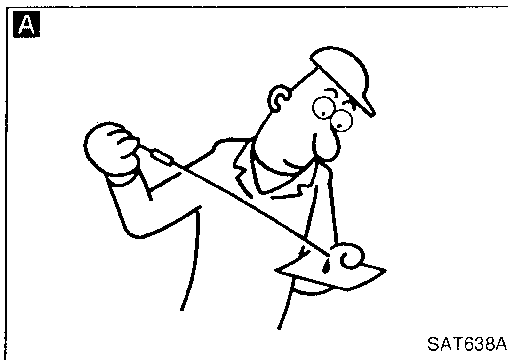
EL

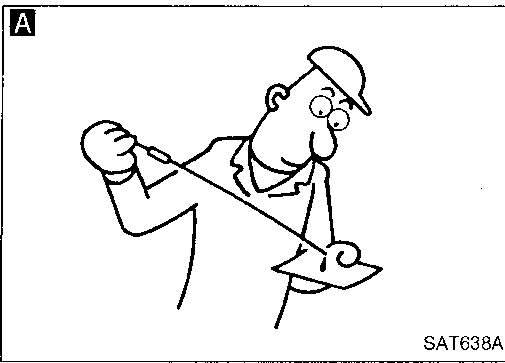
IDX

6. Vehicle Does Not Creep Backward In "R" Position

SYMPTOM:

Vehicle does not creep backward when selecting "R" position.

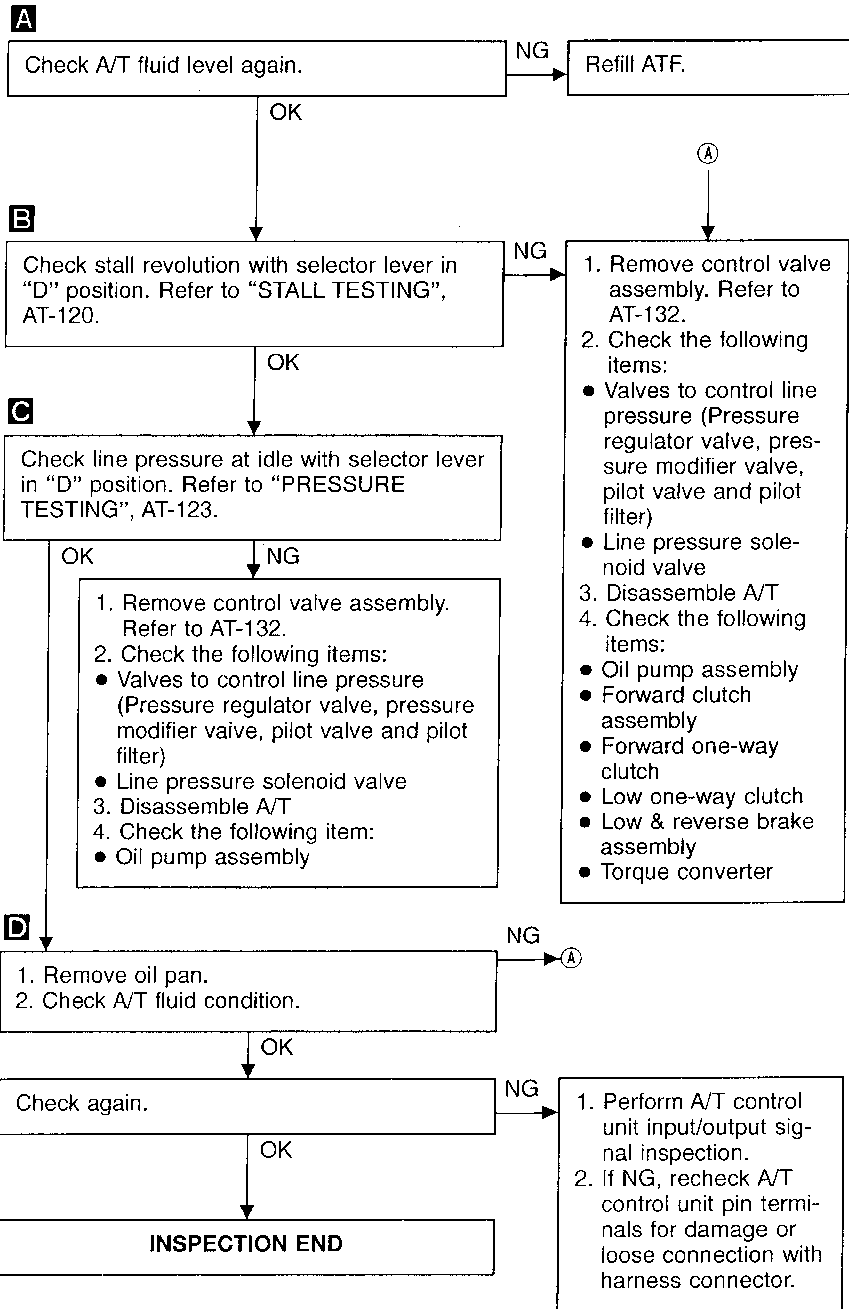
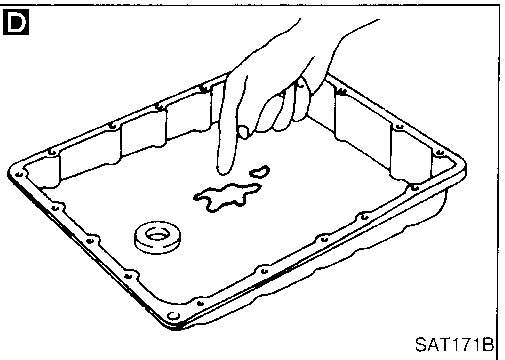
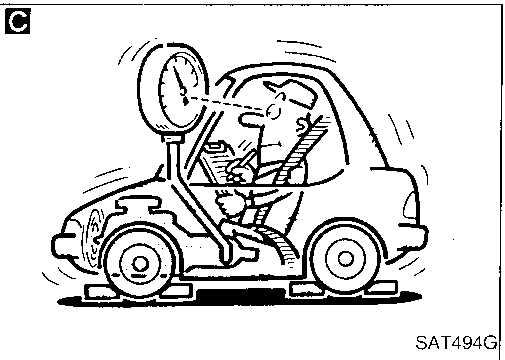
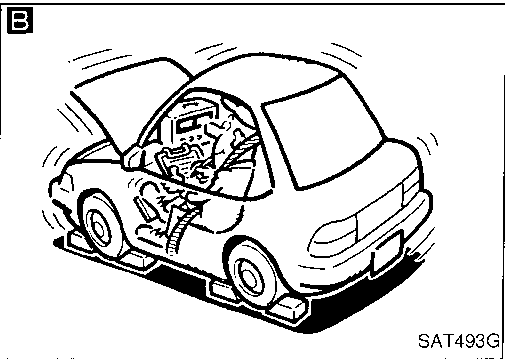




7. Vehicle Does Not Creep Forward In "D", "2" Or "1" Position

SYMPTOM:

Vehicle does not creep forward when selecting "D", "2" or "1" position.

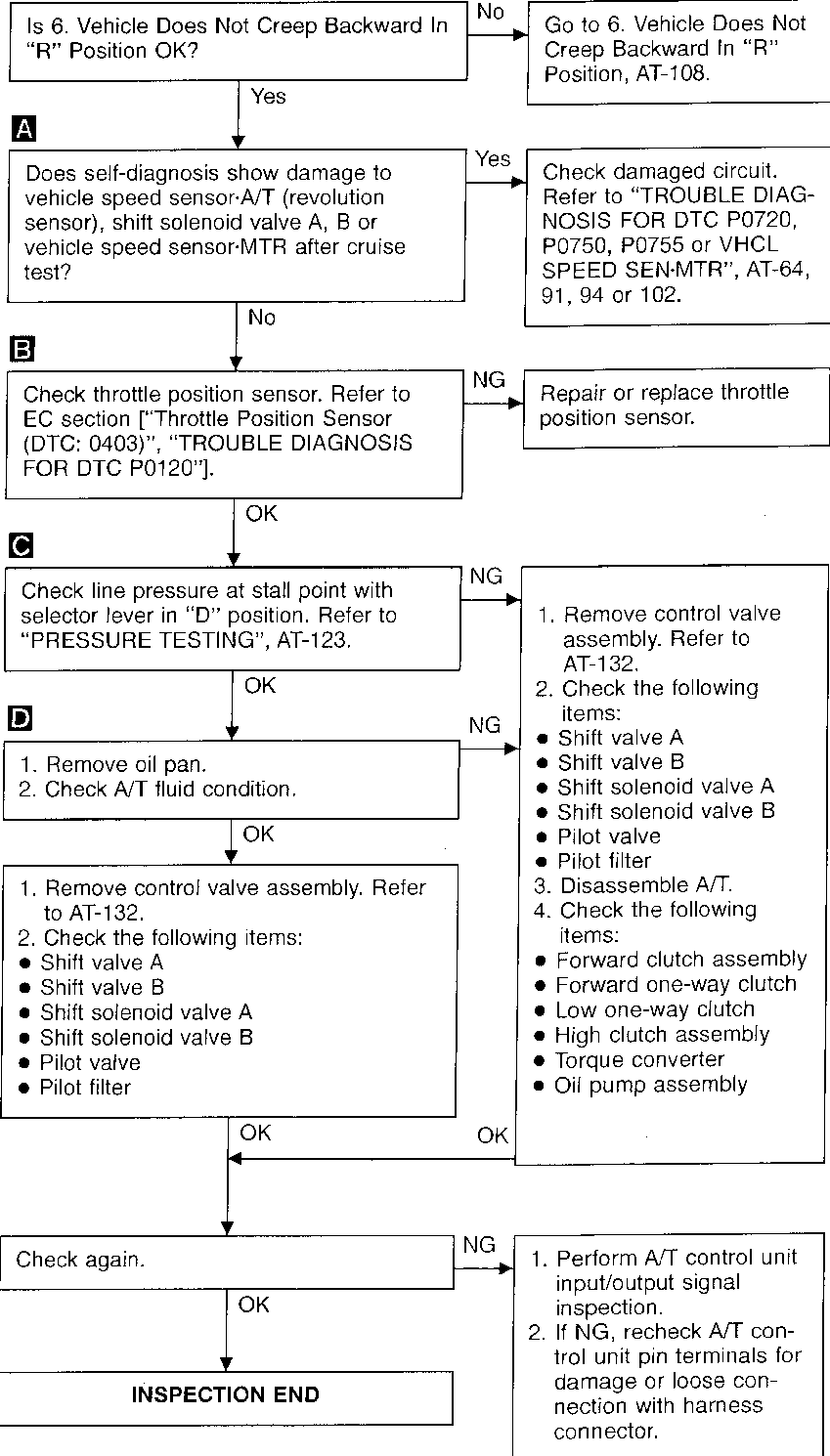
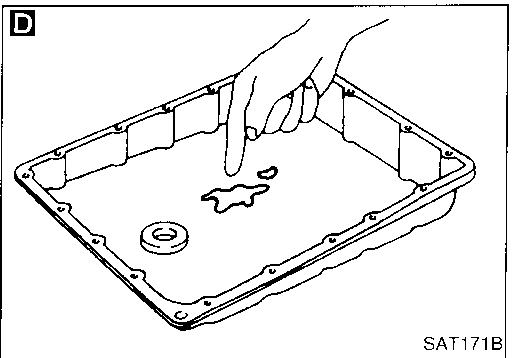
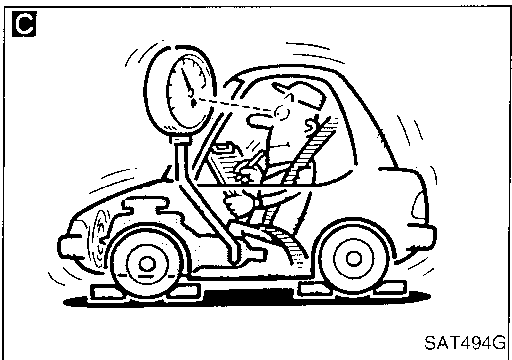
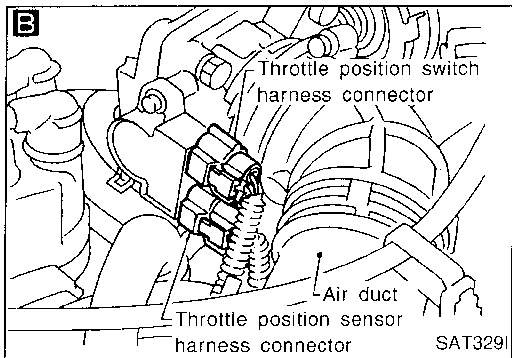
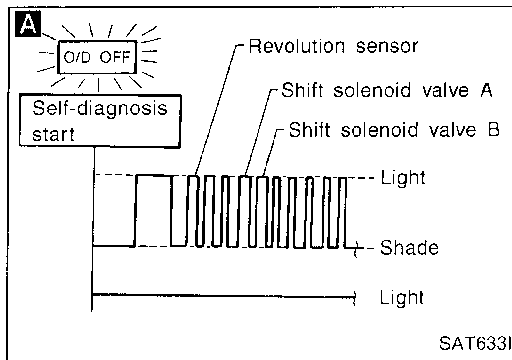


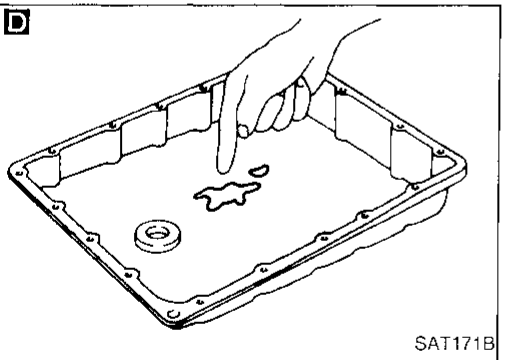
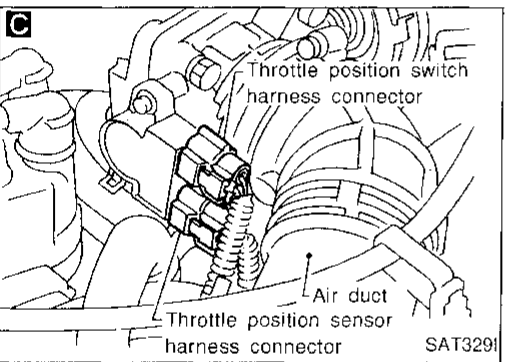
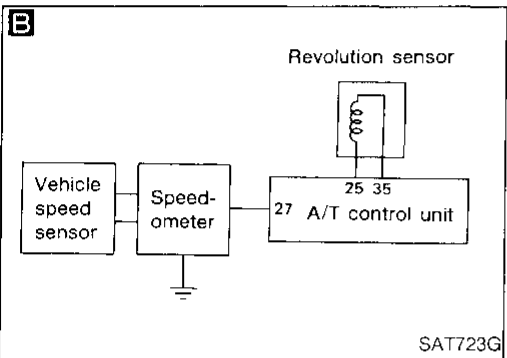
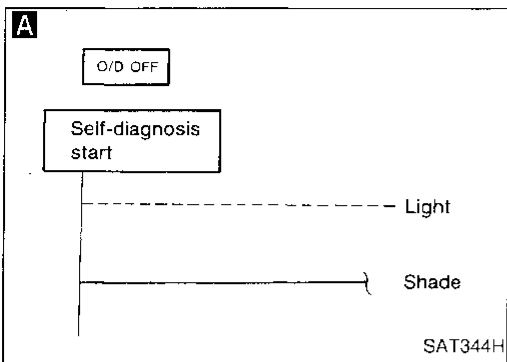
CI
 MA
 EM
 LC
 EC
 FE
 CL
 MT
AT
 TF
 PD
 FA
 RA
 BR
 ST
 RS
 BT
 HA
 EL
 IDX

8. Vehicle Cannot Be Started From D₁

SYMPTOM:

Vehicle cannot be started from D₁ on Cruise test — Part 1.





9. A/T Does Not Shift: D₁ → D₂ Or Does Not Kickdown: D₄ → D₂

SYMPTOM:

A/T does not shift from D₁ to D₂ at the specified speed.
A/T does not shift from D₄ to D₂ when depressing accelerator pedal fully at the specified speed.

```

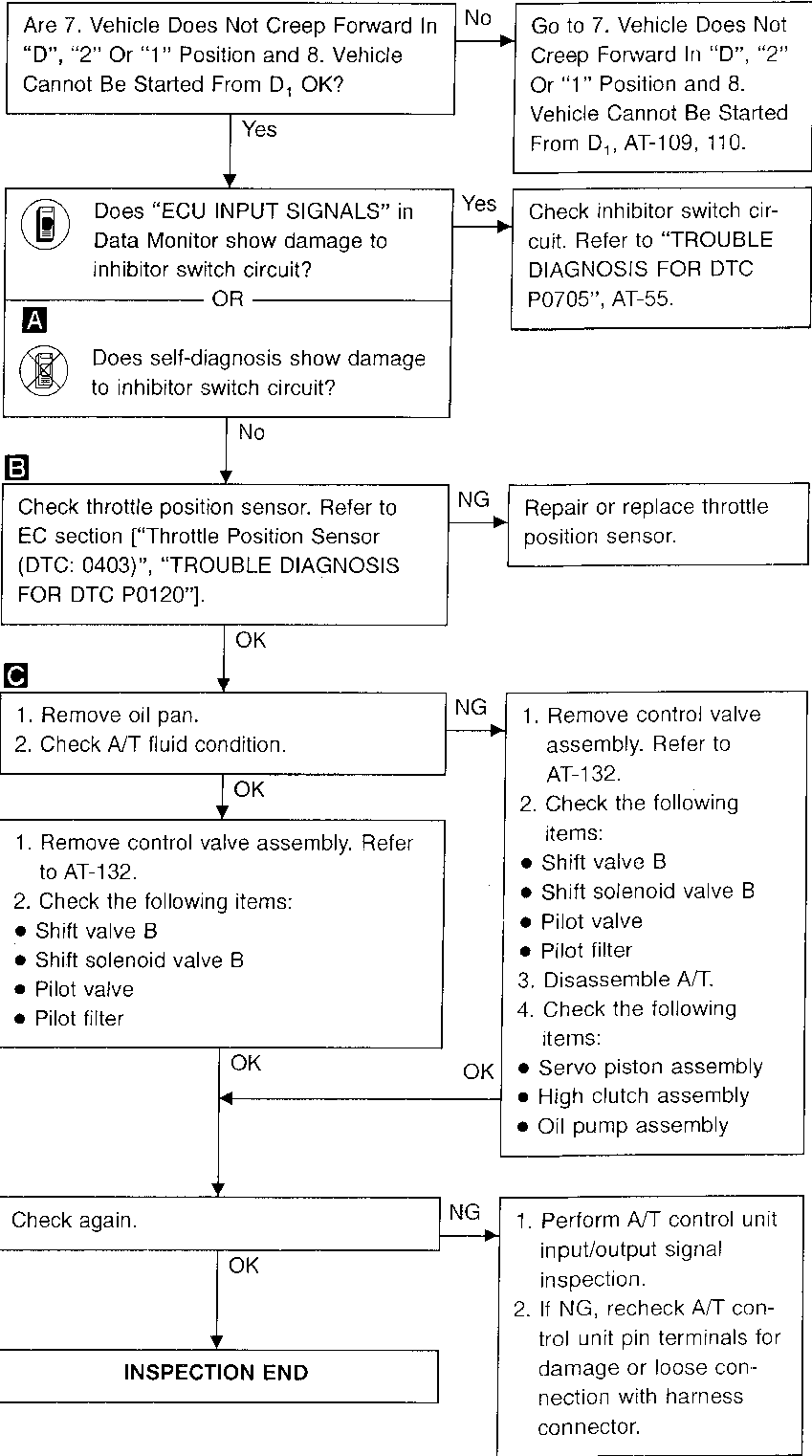
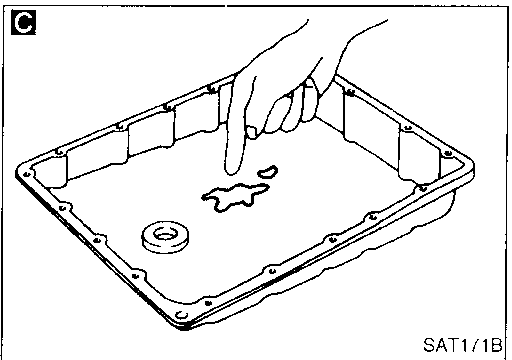
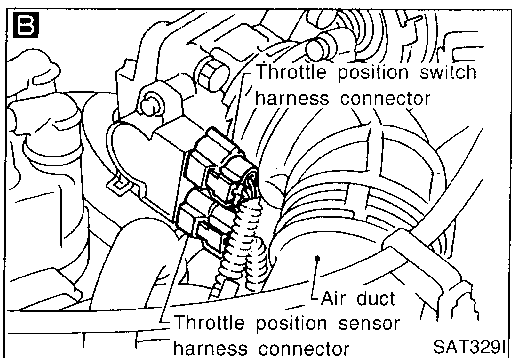
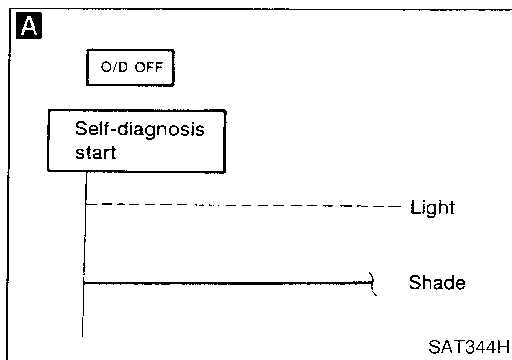
    graph TD
        Q1{Are 7. Vehicle Does Not Creep Forward In "D", "2" Or "1" Position and 8. Vehicle Cannot Be Started From D1, OK?}
        Q1 -- No --> R1[Go to 7. Vehicle Does Not Creep Forward In "D", "2" Or "1" Position and 8. Vehicle Cannot Be Started From D1, AT-109, 110.]
        Q1 -- Yes --> Q2{Does "ECU INPUT SIGNALS" in Data Monitor show damage to inhibitor switch circuit? OR Does self-diagnosis show damage to inhibitor switch circuit?}
        Q2 -- Yes --> R2[Check inhibitor switch circuit. Refer to "TROUBLE DIAGNOSIS FOR DTC P0705", AT-55.]
        Q2 -- No --> Q3{Check vehicle speed sensor-A/T (revolution sensor) and vehicle speed sensor-MTR circuit. Refer to "TROUBLE DIAGNOSIS FOR DTC P0720 and VHCL SPEED SEN-MTR", AT-64, 102.}
        Q3 -- NG --> R3[Repair or replace vehicle speed sensor-A/T (revolution sensor) and vehicle speed sensor-MTR circuits.]
        Q3 -- OK --> Q4{Check throttle position sensor. Refer to EC section ["Throttle Position Sensor (DTC: 0403)", "TROUBLE DIAGNOSIS FOR DTC P0120"].}
        Q4 -- NG --> R4[Repair or replace throttle position sensor.]
        Q4 -- OK --> Q5{1. Remove oil pan. 2. Check A/T fluid condition.}
        Q5 -- NG --> R5[1. Remove control valve. Refer to AT-132. 2. Check the following items: Shift valve A, Shift solenoid valve A, Pilot valve, Pilot filter. 3. Disassemble A/T. 4. Check the following items: Servo piston assembly, Brake band, Oil pump assembly.]
        Q5 -- OK --> Q6{1. Remove control valve. Refer to AT-132. 2. Check the following items: Shift valve A, Shift solenoid valve A, Pilot valve, Pilot filter.}
        Q6 -- OK --> Q7{Check again.}
        Q6 -- NG --> R6[1. Perform A/T control unit input/output signal inspection. 2. If NG, recheck A/T control unit pin terminals for damage or loose connection with harness connector.]
        Q7 -- OK --> END[INSPECTION END]
        Q7 -- NG --> R6
    
```

GI
MA
EM
LC
EC
FE
CL
MT
AT
TF
PD
FA
PA
BR
ST
BS
BT
HA
EL
IOX

10. A/T Does Not Shift: D₂ → D₃

SYMPTOM:

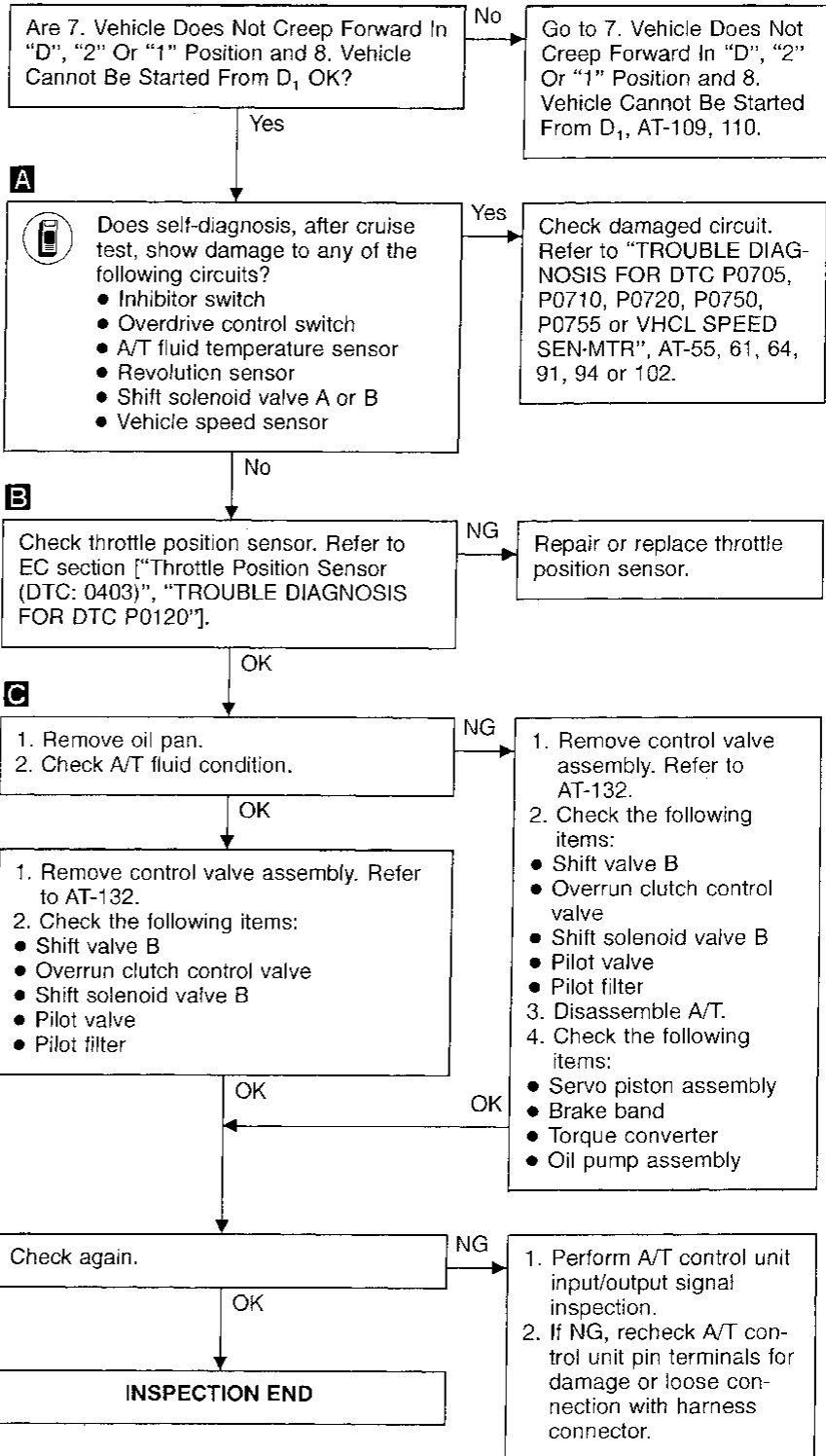
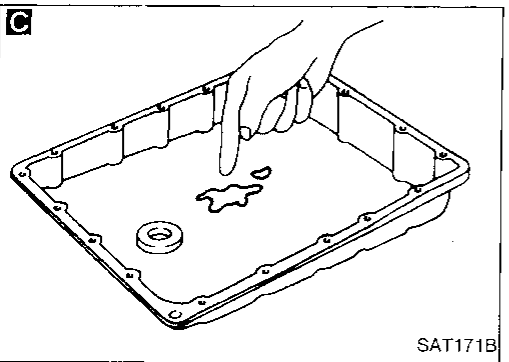
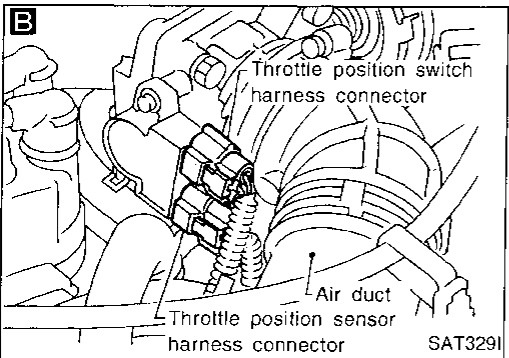
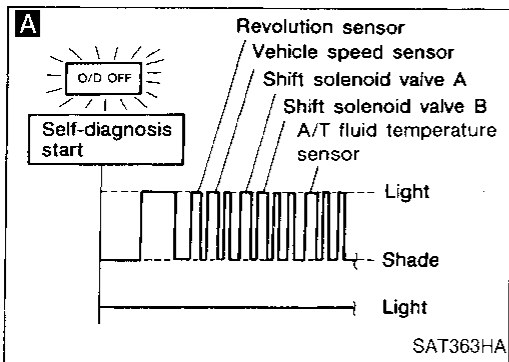
A/T does not shift from D₂ to D₃ at the specified speed.



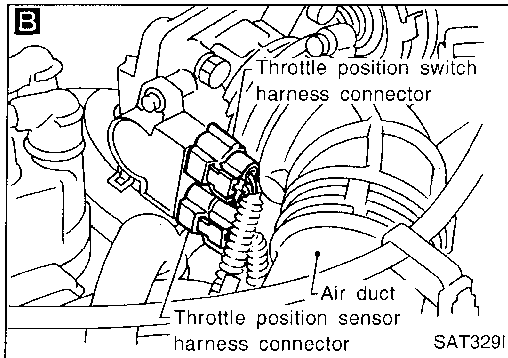
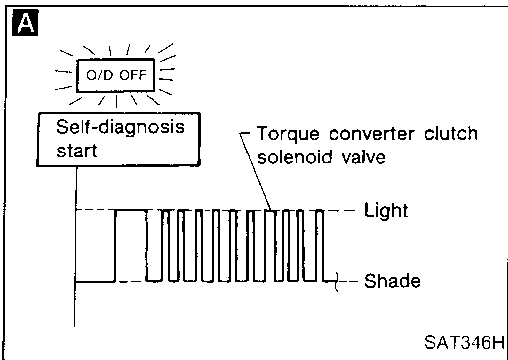
11. A/T Does Not Shift: D₃ → D₄

SYMPTOM:

- A/T does not shift from D₃ to D₄ at the specified speed.
- A/T must be warm before D₃ to D₄ shift will occur.



CI
 MA
 EM
 LC
 EC
 FE
 CL
 MT
AT
 TF
 PD
 FA
 RA
 BR
 ST
 RS
 BT
 HA
 EL
 IDX

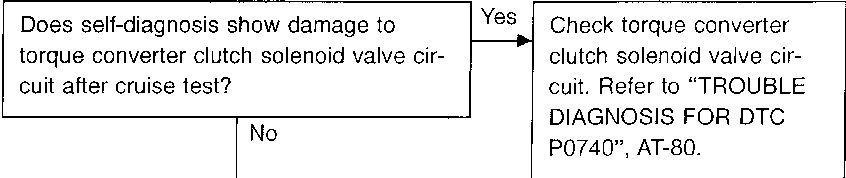


12. A/T Does Not Perform Lock-up

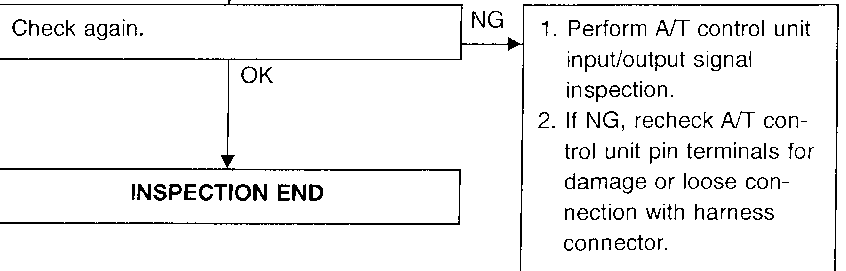
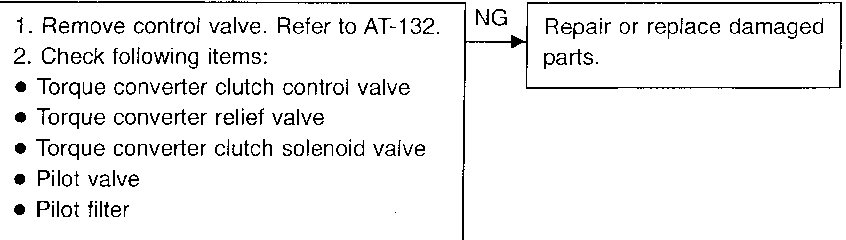
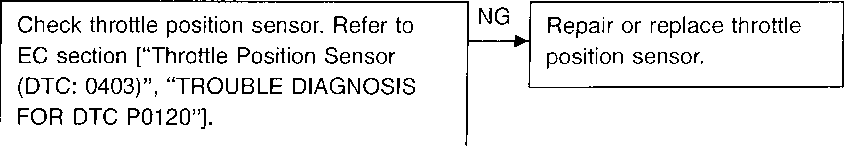
SYMPTOM:

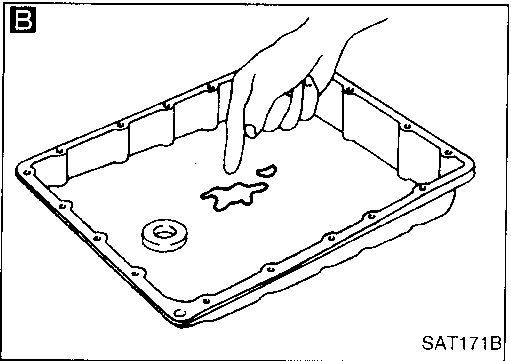
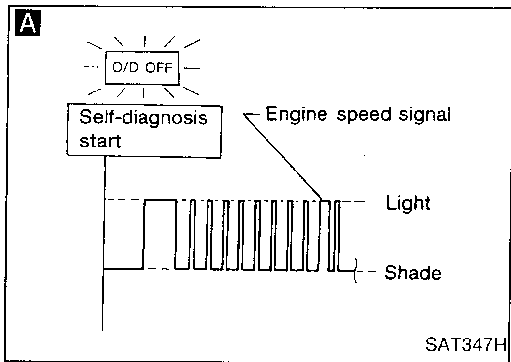
A/T does not perform lock-up at the specified speed.

A



B

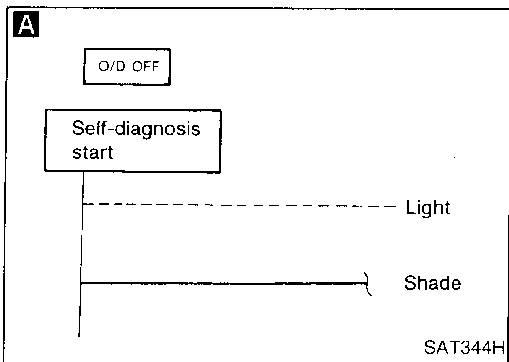
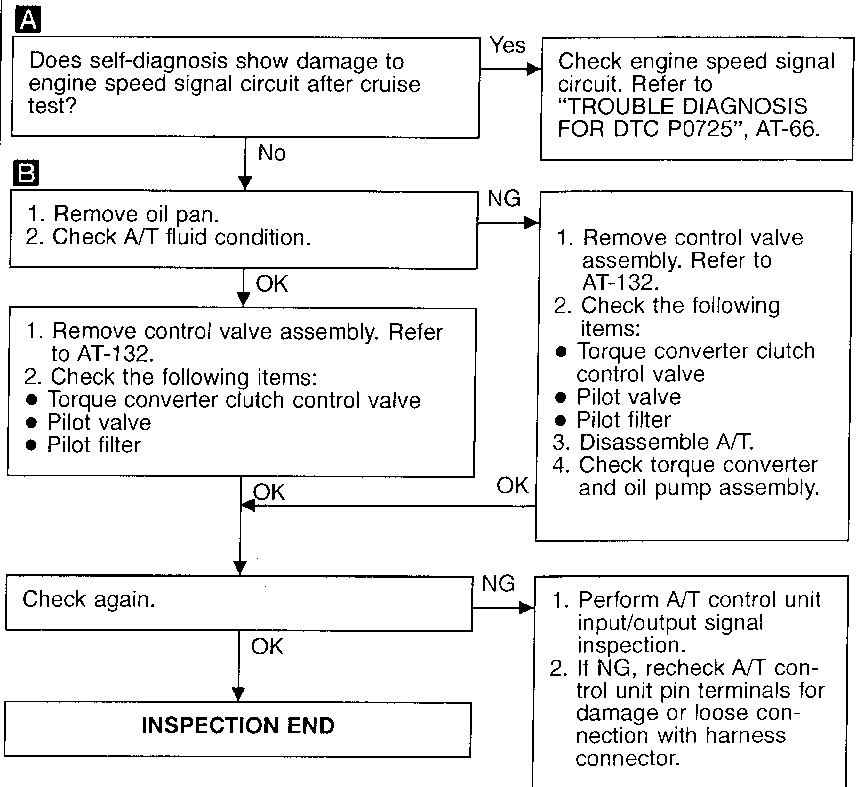




13. A/T Does Not Hold Lock-up Condition

SYMPTOM:

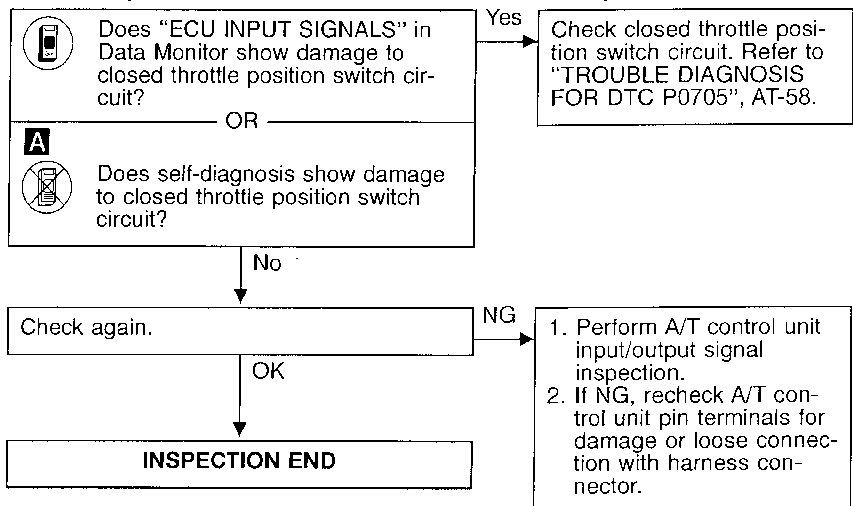
A/T does not hold lock-up condition for more than 30 seconds.



14. Lock-up Is Not Released

SYMPTOM:

Lock-up is not released when accelerator pedal is released.

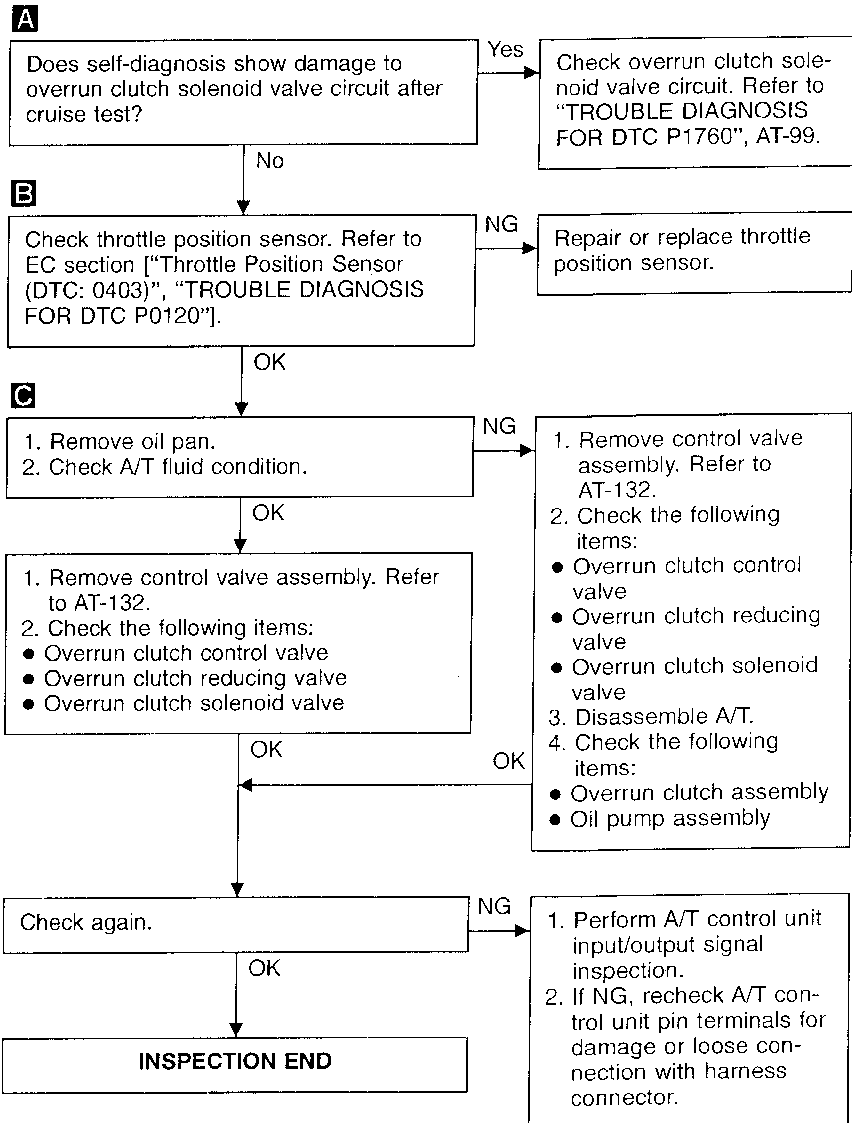
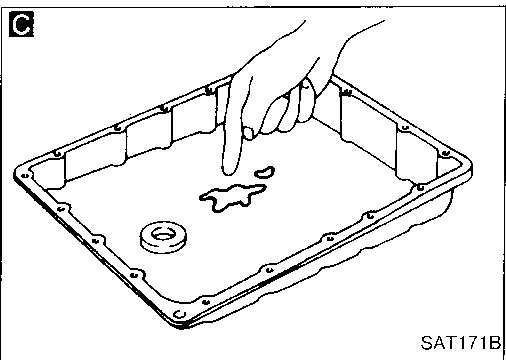
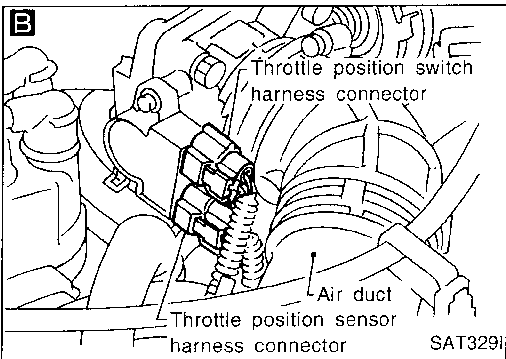
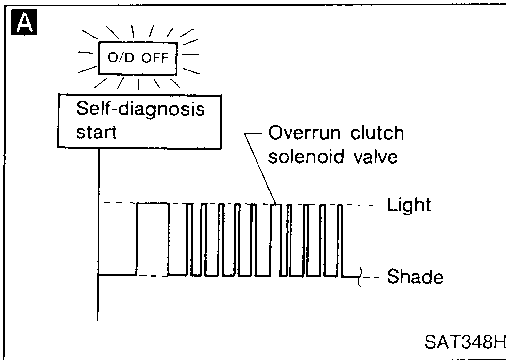


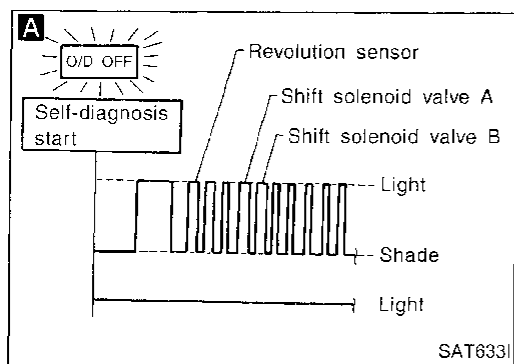
CI
 MA
 EM
 LC
 EC
 FE
 CL
 MT
AT
 TF
 PD
 FA
 RA
 BR
 ST
 RS
 BT
 FA
 EL
 IDX

15. Engine Speed Does Not Return To Idle (Light Braking $D_4 \rightarrow D_3$)

SYMPTOM:

- Engine speed does not smoothly return to idle when A/T shifts from D_4 to D_3 .
- Vehicle does not decelerate by engine brake when turning overdrive control switch OFF.
- Vehicle does not decelerate by engine brake when shifting A/T from "D" to "2" position.

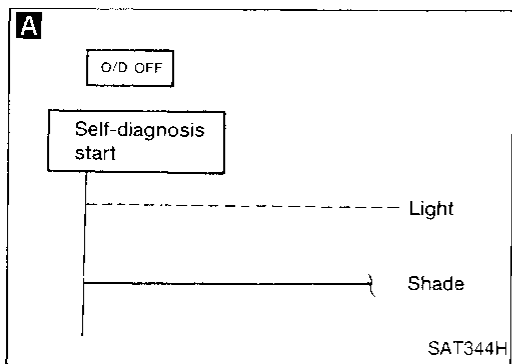
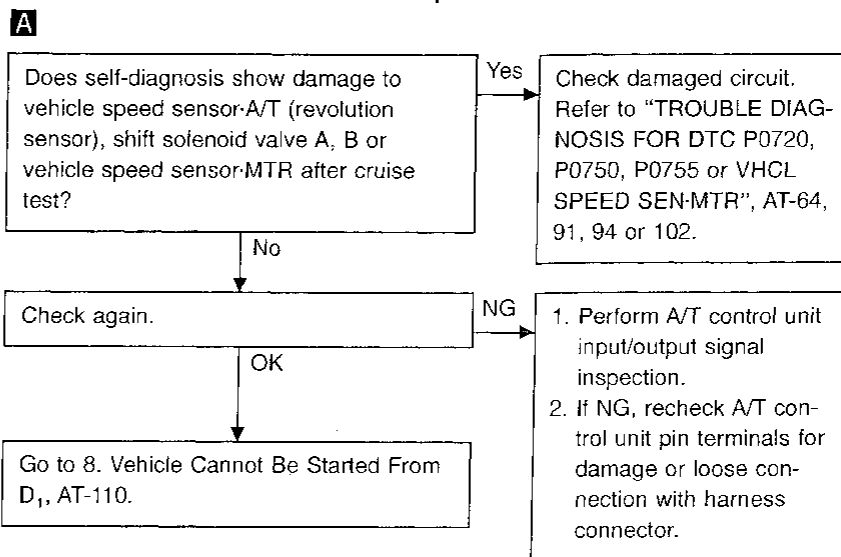




16. Vehicle Does Not Start From D₁

SYMPTOM:

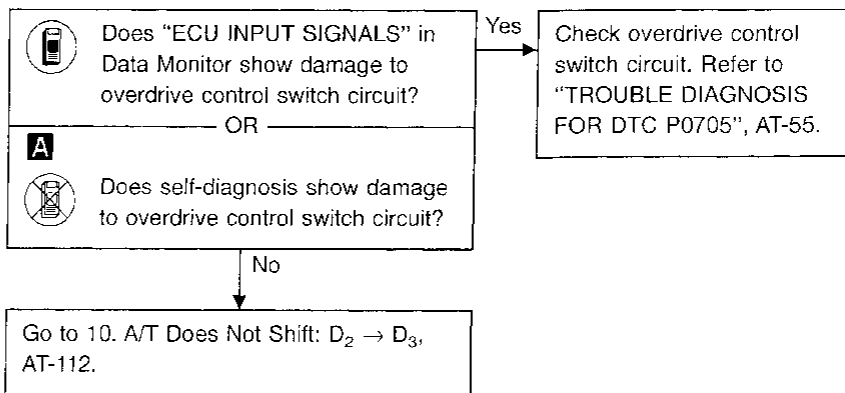
Vehicle does not start from D₁ on Cruise test — Part 2.



17. A/T Does Not Shift: D₄ → D₃, When Overdrive Control Switch "ON" → "OFF"

SYMPTOM:

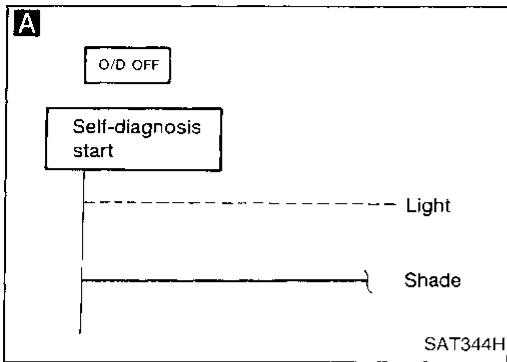
A/T does not shift from D₄ to D₃ when changing overdrive control switch to "OFF" position.



GI
MA
EM
LC
EC
FE
CL
MT

AT

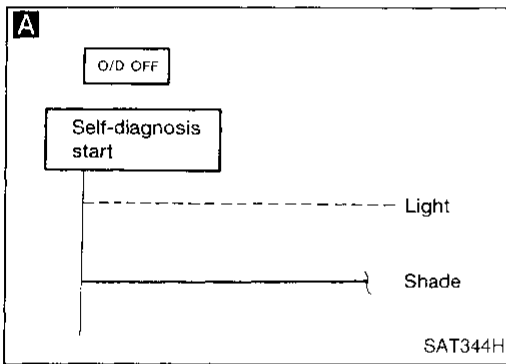
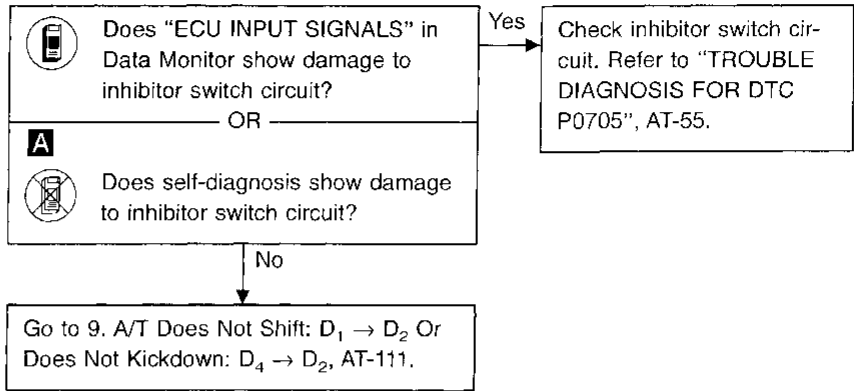
TF
PD
FA
RA
BR
ST
RS
BT
JA
EL
IDX



18. A/T Does Not Shift: $D_3 \rightarrow 2_2$, When Selector Lever "D" \rightarrow "2" Position

SYMPTOM:

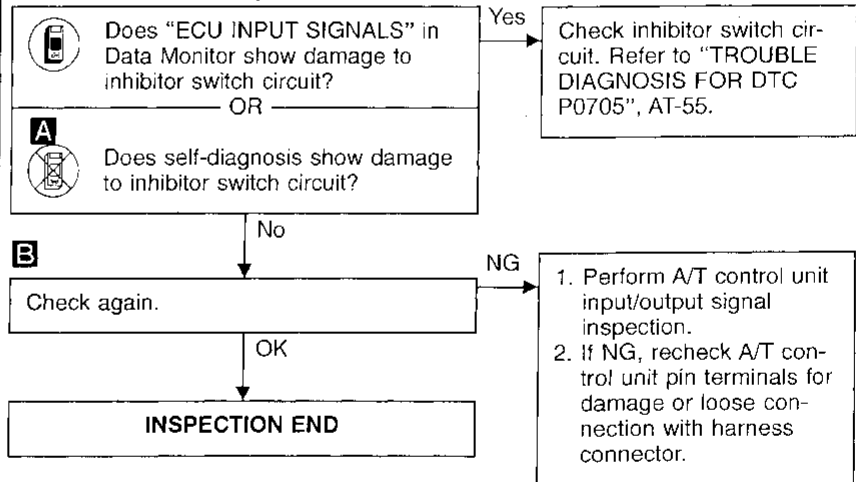
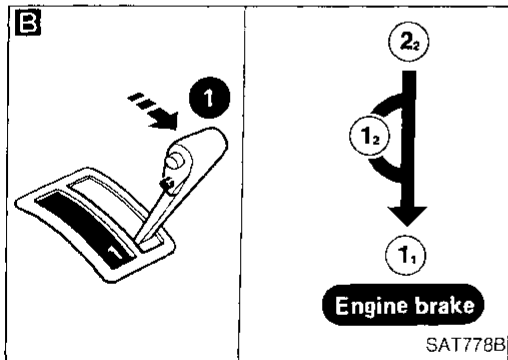
A/T does not shift from D_3 to 2_2 when changing selector lever from "D" to "2" position.



19. A/T Does Not Shift: $2_2 \rightarrow 1_1$, When Selector Lever "2" \rightarrow "1" Position

SYMPTOM:

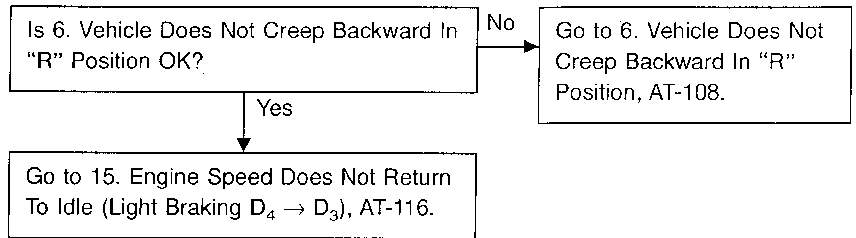
A/T does not shift from 2_2 to 1_1 when changing selector lever from "2" to "1" position.



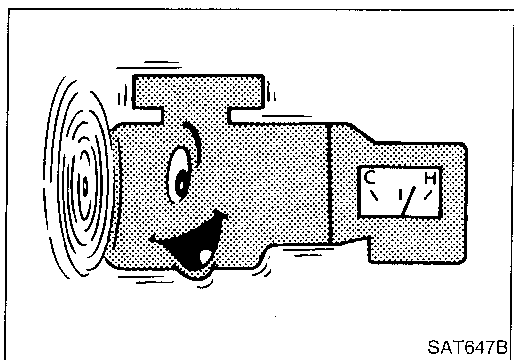
20. Vehicle Does Not Decelerate By Engine Brake

SYMPTOM:

Vehicle does not decelerate by engine brake when shifting from 2₂ (1₂) to 1₁.



- GC
- MA
- EM
- LC
- EC
- FE
- CL
- MT
- AT**
- TF
- PD
- FA
- RA
- BR
- ST
- RS
- BT
- HA
- EL
- IDX



SAT647B

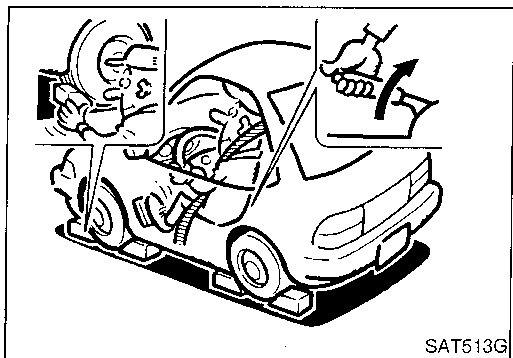
Final Check

STALL TESTING

Stall test procedure

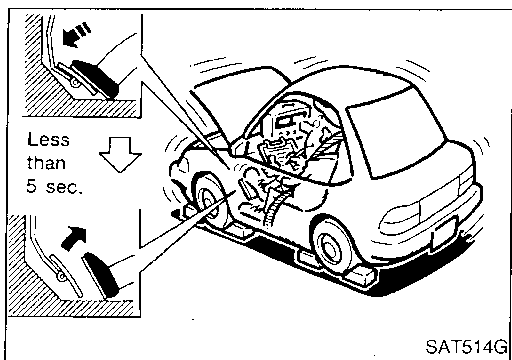
1. Check A/T and engine fluid levels. If necessary, add.
2. Drive vehicle for approx. 10 minutes or until engine oil and ATF reach operating temperature.

**ATF operating temperature:
50 - 80°C (122 - 176°F)**



SAT513G

3. Set parking brake and block wheels.
4. Install a tachometer where it can be seen by driver during test.
- **It is good practice to put a mark on point of specified engine rpm on indicator.**

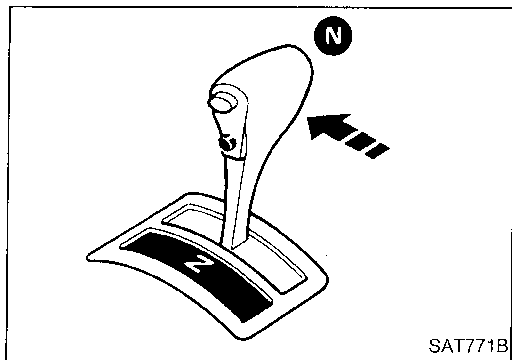


SAT514G

5. Start engine, apply foot brake, and place selector lever in "D" position.
6. Accelerate to wide-open throttle gradually while applying foot brake.
7. Quickly note the engine stall revolution and immediately release throttle.

- **During test, never hold throttle wide-open for more than 5 seconds.**

**Stall revolution:
2,440 - 2,690 rpm**



SAT771B

8. Move selector lever to "N" position.
9. Cool off ATF.
- **Run engine at idle for at least one minute.**
10. Repeat steps 5 through 9 with selector lever in "2", "1" and "R" positions.

TROUBLE DIAGNOSES

Final Check (Cont'd)

JUDGEMENT OF STALL TEST

The test result and possible damaged components relating to each result are shown in the illustration. In order to pinpoint the possible damaged components, follow the WORK FLOW shown in AT-34.

Note

Stall revolution is too high in "D" or "2" position:

- Slippage occurs in 1st gear but not in 2nd and 3rd gears. Low one-way clutch slippage
- Slippage occurs at the following gears:
 - 1st through 3rd gears in "D" position and engine brake functions.
 - 1st and 2nd gears in "2" position and engine brake functions with accelerator pedal released (fully closed throttle). Forward clutch or forward one-way clutch slippage

Stall revolution is too high in "R" position:

- Engine brake does not function in "1" position. Low & reverse brake slippage
- Engine brake functions in "1" position. Reverse clutch slippage

Stall revolution within specifications:

- Vehicle does not achieve speed of more than 80 km/h. One-way clutch seizure in torque converter housing

CAUTION:

Be careful since automatic fluid temperature increases abnormally.

- Slippage occurs in 3rd and 4th gears in "D" position. High clutch slippage
- Slippage occurs in 2nd and 4th gear in "D" position. Brake band slippage

Stall revolution less than specifications:

- Poor acceleration during starts. One-way clutch seizure in torque converter

GI

MA

EM

LC

EC

FE

CL

MT

AT

TF

PD

FA

RA

BR

ST

RS

BT

HA

EL

IDX

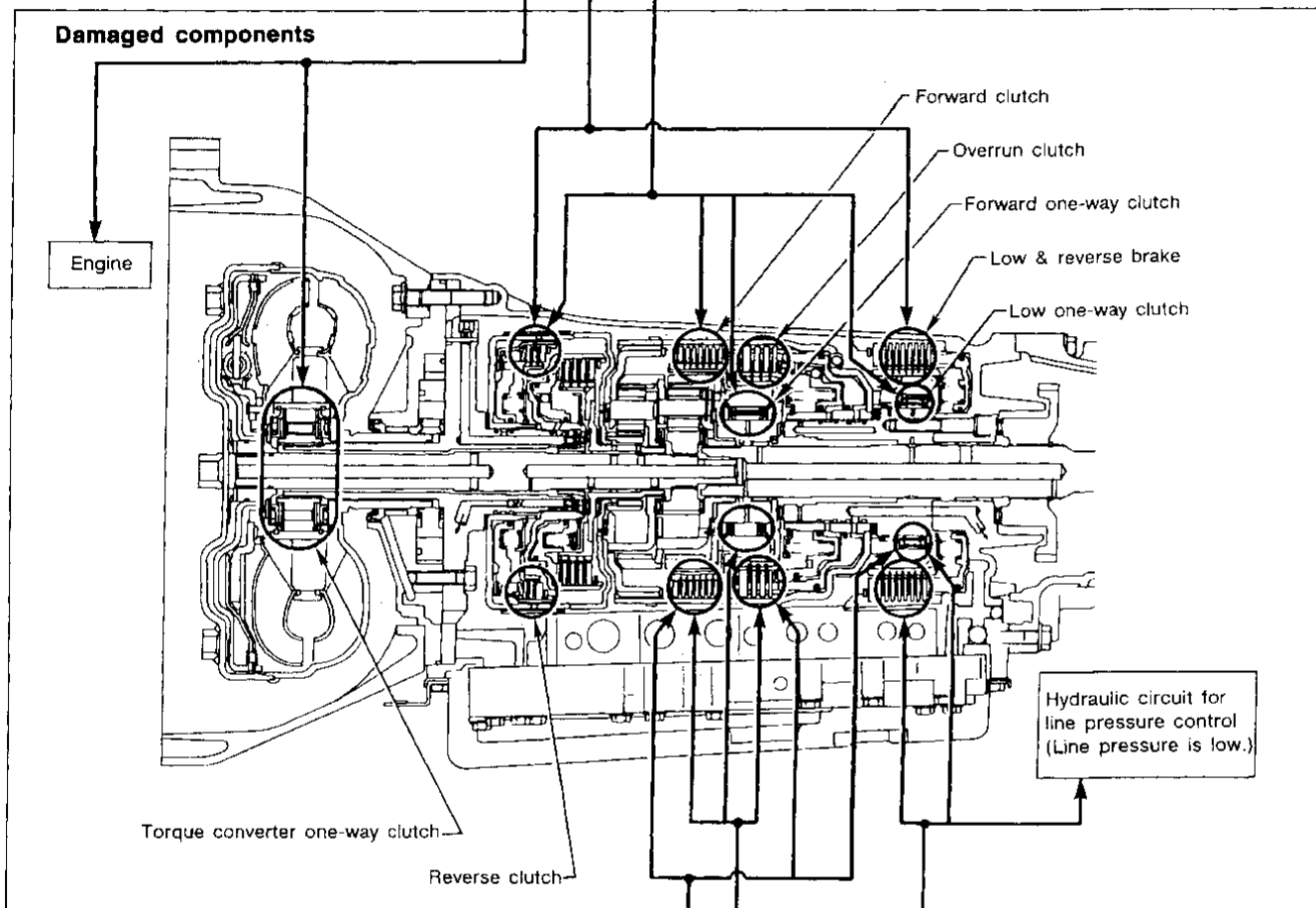
TROUBLE DIAGNOSES

Final Check (Cont'd)

JUDGEMENT OF STALL TEST

Selector lever position	Judgement		
	L	O	H
D	L	O	H
2	L	O	H
1	L	O	O
R	L	H	H

- O : Stall revolution is normal.
- H : Stall revolution is higher than specified.
- L : Stall revolution is lower than specified.



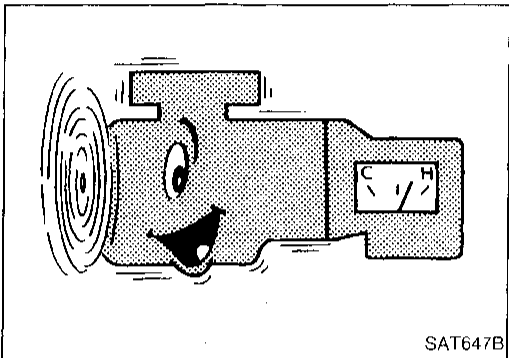
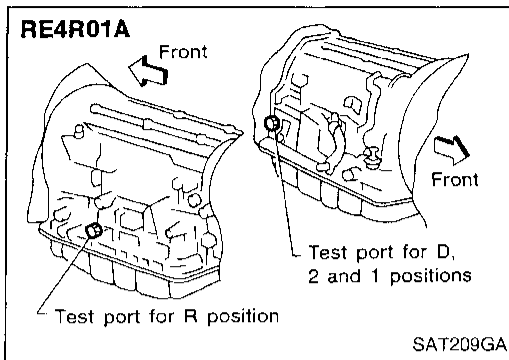
D	H	H	H	O
2	H	H	H	O
1	O	H	H	O
R	O	O	H	O
Selector lever position	Judgement			

TROUBLE DIAGNOSES

Final Check (Cont'd)

PRESSURE TESTING

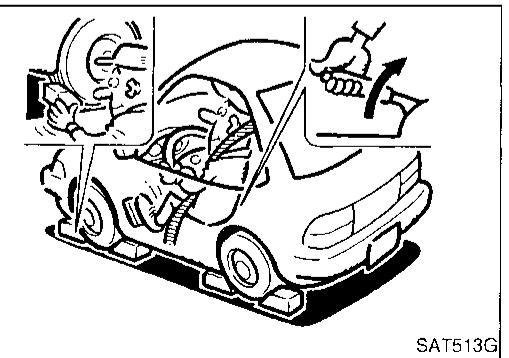
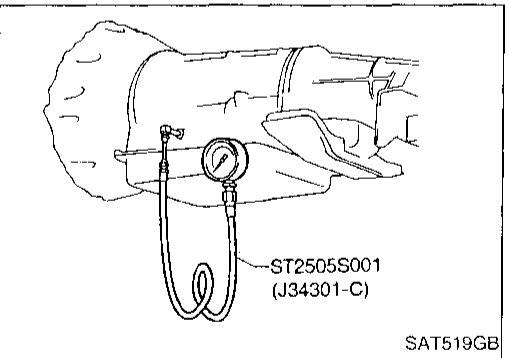
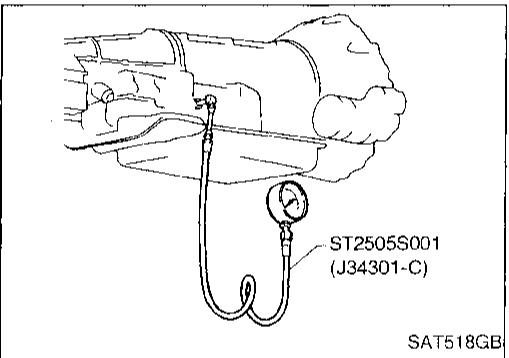
- Location of pressure test ports.
- **Always replace line pressure plugs as they are self-sealing bolts.**



Line pressure test procedure

1. Check A/T and engine fluid levels. If necessary, add fluid.
2. Drive vehicle for approx. 10 minutes or until engine oil and ATF reach operating temperature.

ATF operating temperature:
50 - 80°C (122 - 176°F)



3. Install pressure gauge to corresponding line pressure port.

4. Set parking brake and block wheels.
 - **Continue to depress brake pedal fully while line pressure test is being performed at stall speed.**

GI

VA

EM

LC

EC

FE

CL

MT

AT

TF

PD

FA

RA

BR

ST

RS

BT

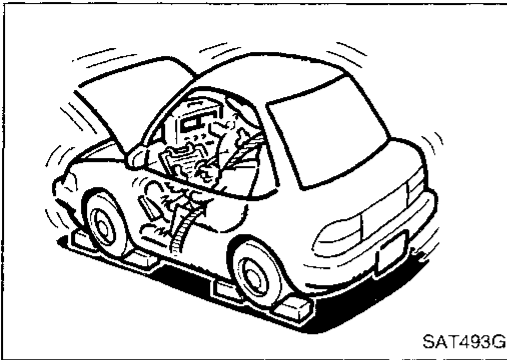
HA

FL

IDX

TROUBLE DIAGNOSES

Final Check (Cont'd)



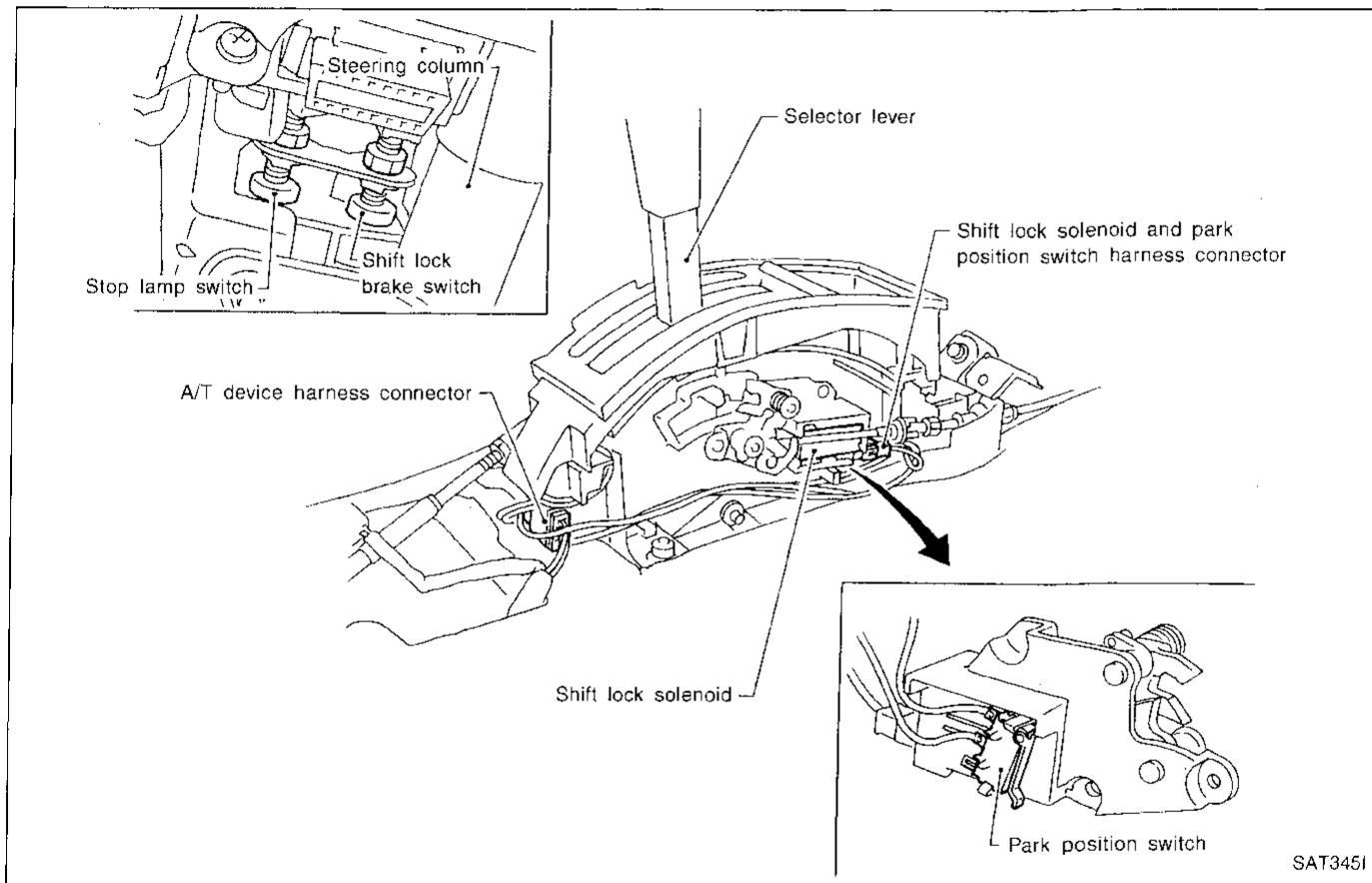
5. Start engine and measure line pressure at idle and stall speed.
 - **When measuring line pressure at stall speed, follow the stall test procedure.**
 Line pressure:
 Refer to SDS, AT-214.

JUDGEMENT OF LINE PRESSURE TEST

Judgement		Suspected parts
At idle	Line pressure is low in all positions.	<ul style="list-style-type: none"> ● Oil pump wear ● Control piston damage ● Pressure regulator valve or plug sticking ● Spring for pressure regulator valve damaged ● Fluid pressure leakage between oil strainer and pressure regulator valve ● Clogged strainer
	Line pressure is low in particular position.	<ul style="list-style-type: none"> ● Fluid pressure leakage between manual valve and particular clutch ● For example, line pressure is: <ul style="list-style-type: none"> — Low in "R" and "1" positions, but — Normal in "D" and "2" positions. Then, fluid leakage exists at or around low and reverse brake circuit. Refer to "OPERATION OF CLUTCH AND BRAKE", AT-16.
	Line pressure is high.	<ul style="list-style-type: none"> ● Mal-adjustment of throttle position sensor ● Fluid temperature sensor damaged ● Line pressure solenoid valve sticking ● Short circuit of line pressure solenoid valve circuit ● Pressure modifier valve sticking ● Pressure regulator valve or plug sticking ● Open in dropping resistor circuit
At stall speed	Line pressure is low.	<ul style="list-style-type: none"> ● Mal-adjustment of throttle position sensor ● Line pressure solenoid valve sticking ● Short circuit of line pressure solenoid valve circuit ● Pressure regulator valve or plug sticking ● Pressure modifier valve sticking ● Pilot valve sticking

Description

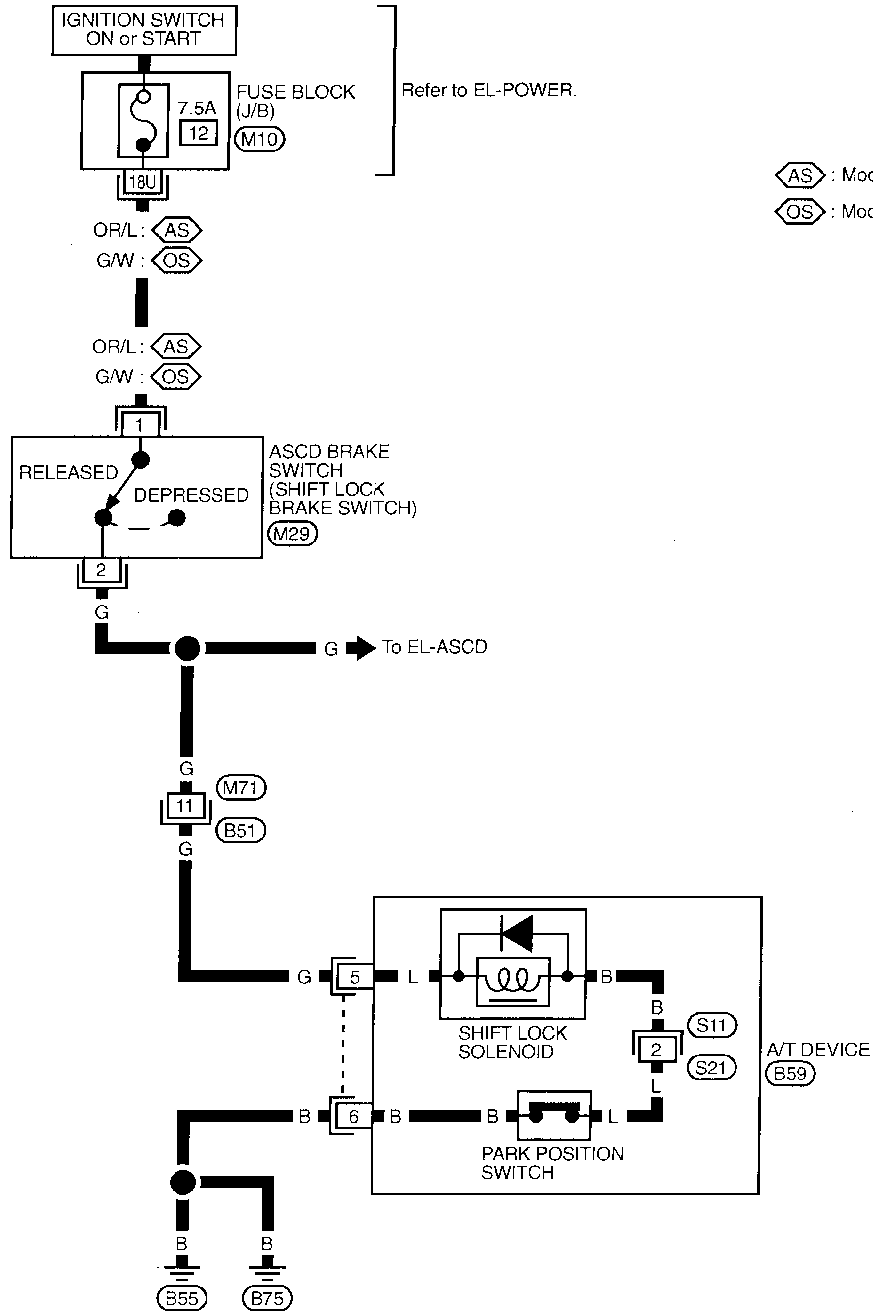
- The mechanical key interlock mechanism also operates as a shift lock:
 With the key switch turned to "ON", the selector lever cannot be shifted from "P" (parking) to any other position unless the brake pedal is depressed.
 With the key removed, the selector lever cannot be shifted from "P" to any other position.
 The key cannot be removed unless the selector lever is placed in "P".
- The shift lock and key interlock mechanisms are controlled by the ON-OFF operation of the shift lock solenoid and by the operation of the rotator and slider located inside the key cylinder, respectively.



GI
MA
EM
LC
EC
FE
CL
MT
AT
TF
PD
FA
RA
BR
ST
RS
BT
HA
EL
IDX

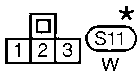
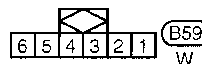
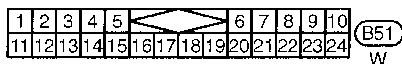
Wiring Diagram — SHIFT —

AT-SHIFT-01



Refer to last page (Foldout page).

(M10)



* : This connector is not shown in "HARNESS LAYOUT" in EL section.

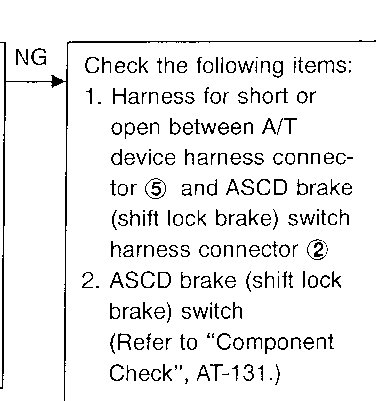
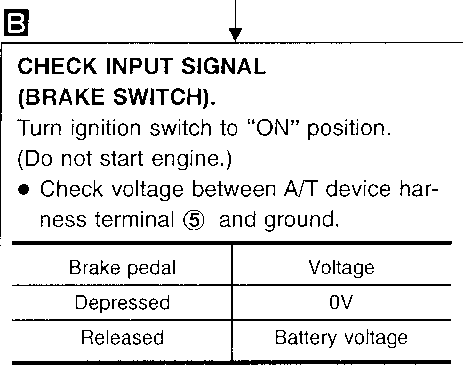
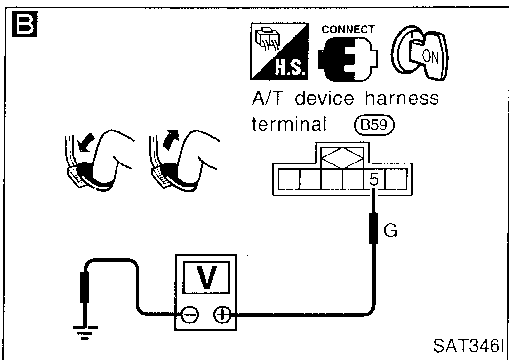
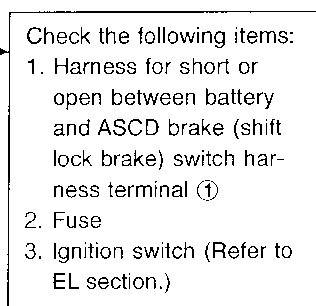
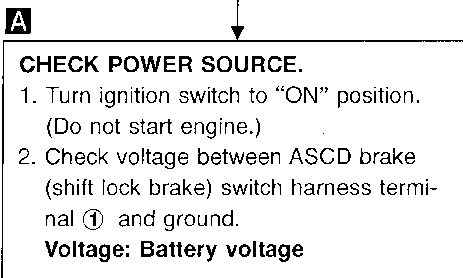
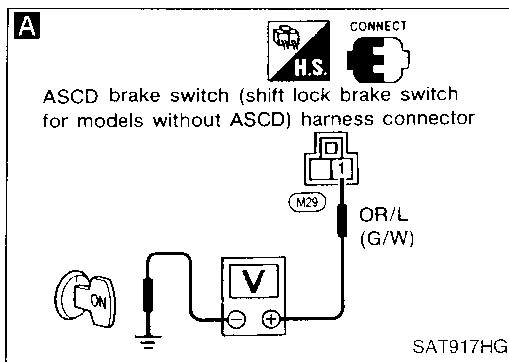
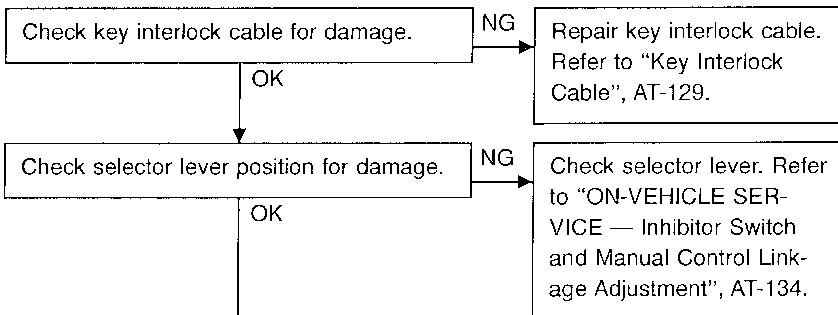
Diagnostic Procedure

SYMPTOM 1:

- Selector lever cannot be moved from "P" position with key in "ON" position and brake pedal applied.
- Selector lever can be moved from "P" position with key in "ON" position and brake pedal released.
- Selector lever can be moved from "P" position when key is removed from key cylinder.

SYMPTOM 2:

Ignition key cannot be removed when selector lever is set to "P" position. It can be removed when selector lever is set to any position except "P".

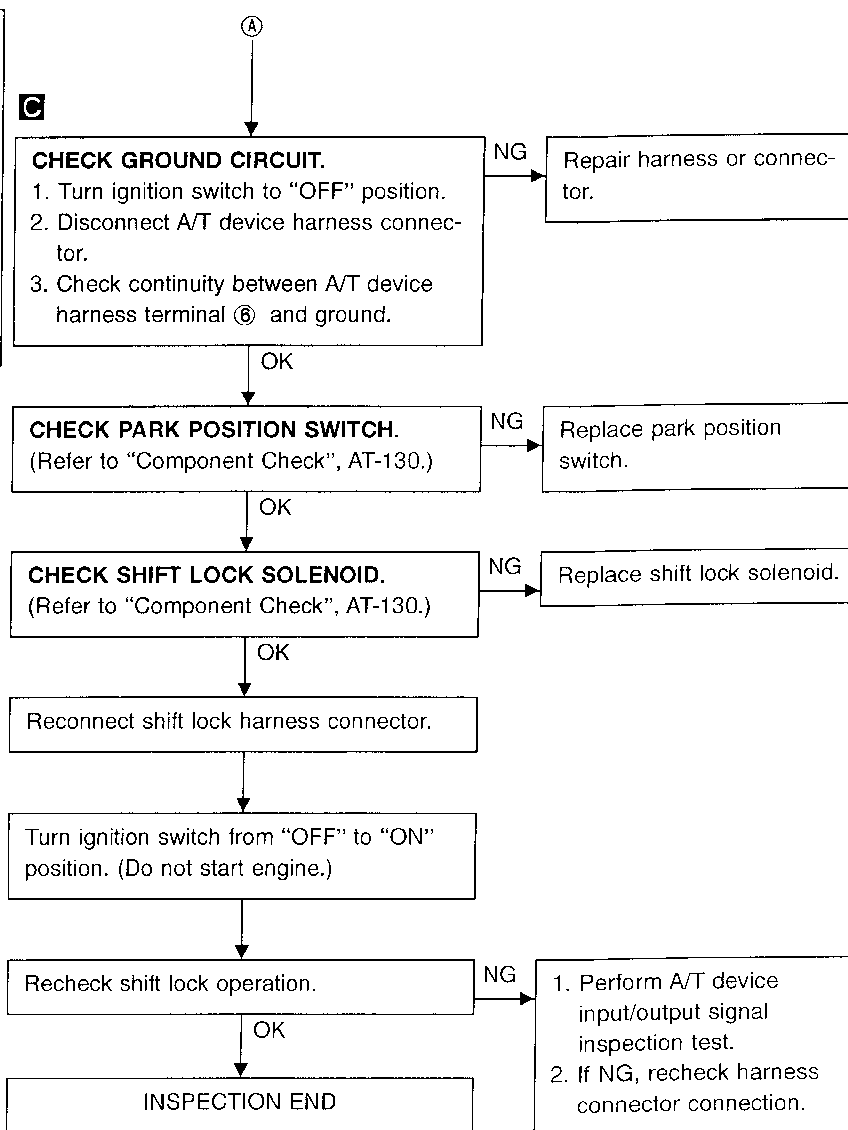
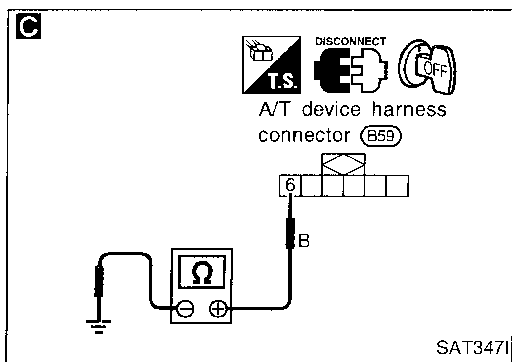


OK

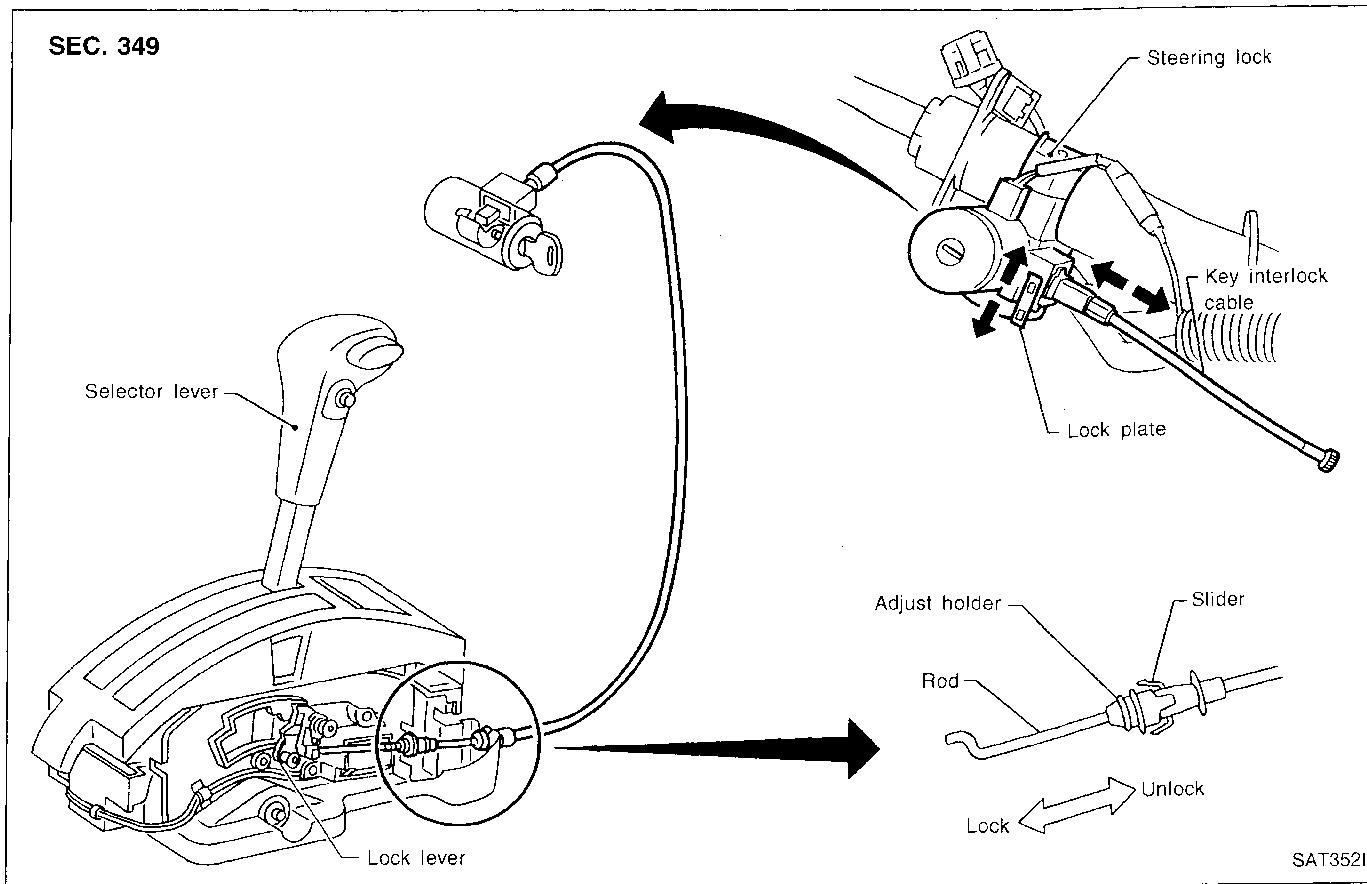
A

TROUBLE DIAGNOSES — A/T Shift Lock System

Diagnostic Procedure (Cont'd)

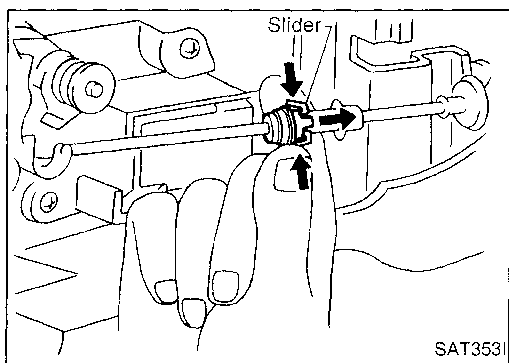


Key Interlock Cable



CAUTION:

- Install key interlock cable in such a way that it will not be damaged by sharp bends, twists or interference with adjacent parts.
- After installing key interlock cable to control device, make sure that casing cap and bracket are firmly secured in their positions. If casing cap can be removed with an external load of less than 39.2 N (4.0 kg, 8.8 lb), replace key interlock cable with new one.



REMOVAL

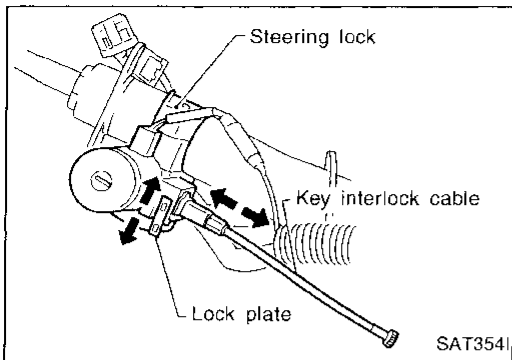
Unlock slider from adjuster holder and remove rod from cable.

GE
MA
EM
LC
EC
FE
CL
MT
AT
TE
PD
FA
RA
BR
ST
RS
BT
HA
EL
ICX

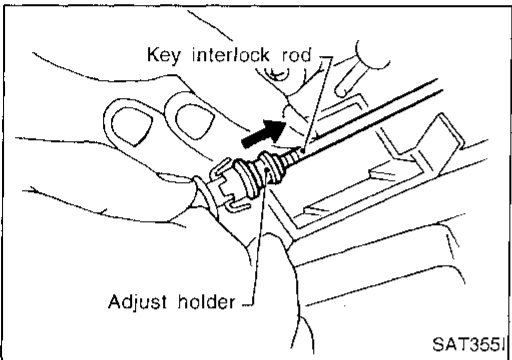
TROUBLE DIAGNOSES — A/T Shift Lock System

Key Interlock Cable (Cont'd)

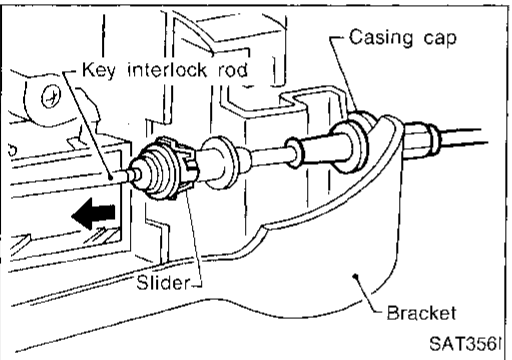
INSTALLATION



1. Set key interlock cable to steering lock assembly and install lock plate.
2. Clamp cable to steering column and fix to control cable with band.
3. Set selector lever to P position.



4. Insert interlock rod into adjuster holder.

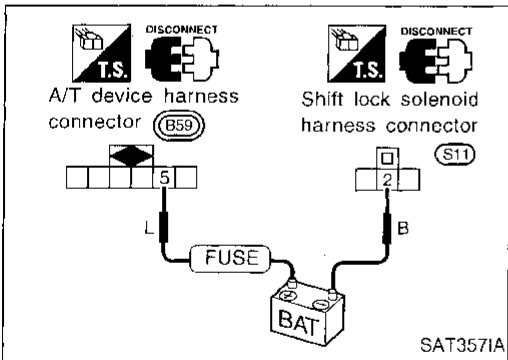


5. Install casing cap to bracket.
6. Move slider in order to fix adjuster holder to interlock rod.

Component Check

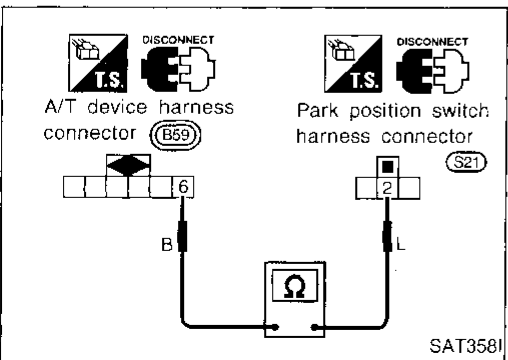
SHIFT LOCK SOLENOID

- Check operation by applying battery voltage between shift lock solenoid harness connector terminal ② and A/T device harness connector terminal ⑤.



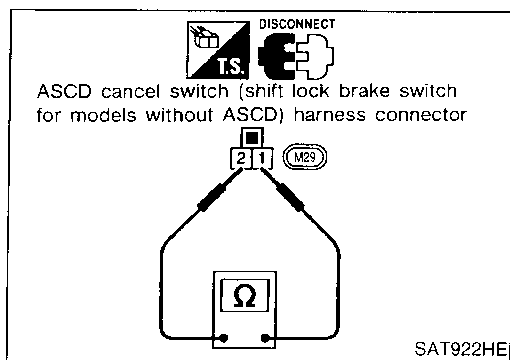
PARK POSITION SWITCH

- Check continuity between park position switch harness connector terminal ② and A/T device harness connector terminal ⑥.



Condition	Continuity
When selector lever is set in "P" position and selector lever button is released	No
Except above	Yes

TROUBLE DIAGNOSES — A/T Shift Lock System



Component Check (Cont'd)

ASCD BRAKE SWITCH (SHIFT LOCK BRAKE SWITCH FOR MODELS WITHOUT ASCD)

- Check continuity between ASCD brake (shift lock brake) switch harness connector terminals ① and ②.

Condition	Continuity
When brake pedal is depressed	Yes
When brake pedal is released	No

Check ASCD brake (shift lock brake) switch after adjusting brake pedal — refer to BR section.

GI

MA

EM

LC

EC

FE

CL

MT

AT

TF

PD

FA

RA

BR

ST

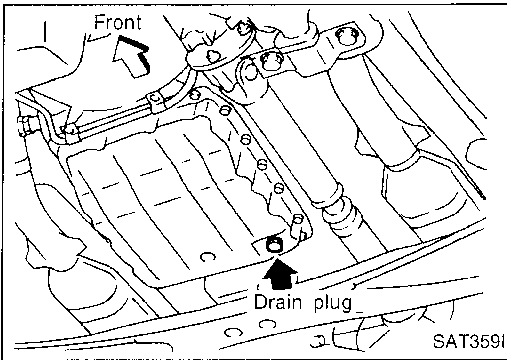
RS

BT

HA

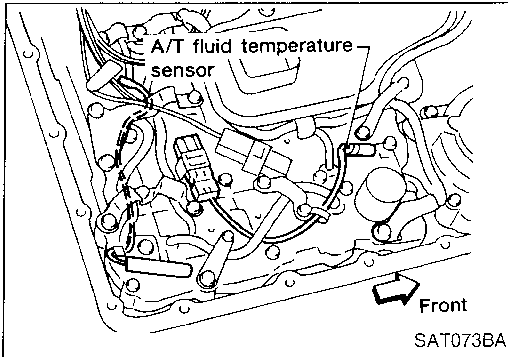
EL

DX

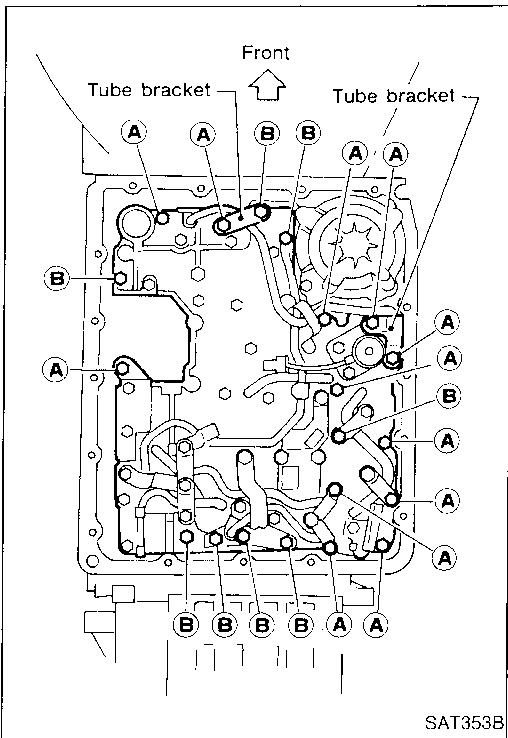


Control Valve Assembly and Accumulators Inspection

1. Remove exhaust front tube.
2. Remove oil pan and gasket and drain ATF.



3. Remove A/T fluid temperature sensor if necessary.
4. Remove oil strainer.

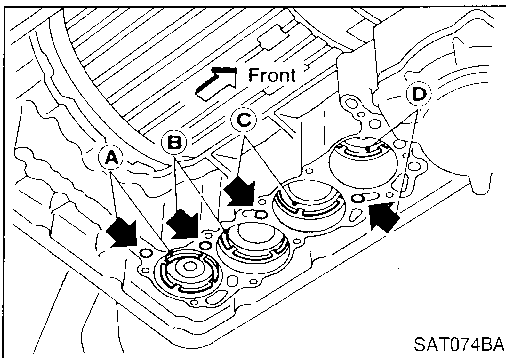


5. Remove control valve assembly by removing fixing bolts and disconnecting harness connector.

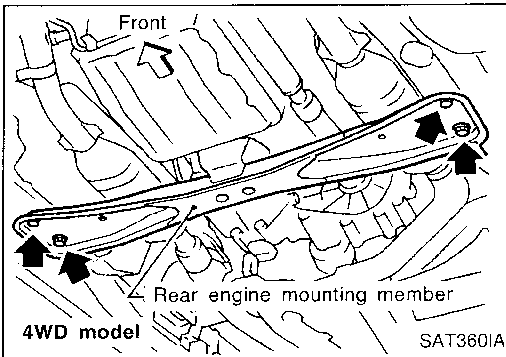
Bolt length and location

Bolt symbol	ℓ mm (in)	ℓ
Ⓐ	33 (1.30)	
Ⓑ	45 (1.77)	

6. Remove solenoids and valves from valve body if necessary.
7. Remove terminal cord assembly if necessary.



8. Remove accumulator Ⓐ, Ⓑ, Ⓒ and Ⓓ by applying compressed air if necessary.
 - Hold each piston with rag.
9. Reinstall any part removed.
 - Always use new sealing parts.



Revolution Sensor Replacement

— 4WD model —

1. Remove rear engine mounting member from side member while supporting A/T with transfer case with jack. Tighten rear engine mounting member to the specified torque. Refer to EM section (“ENGINE REMOVAL”).
 2. Lower A/T with transfer case as much as possible.
 3. Remove revolution sensor from A/T.
 4. Reinstall any part removed.
- **Always use new sealing parts.**

GI

VA

EM

LC

— 2WD model —

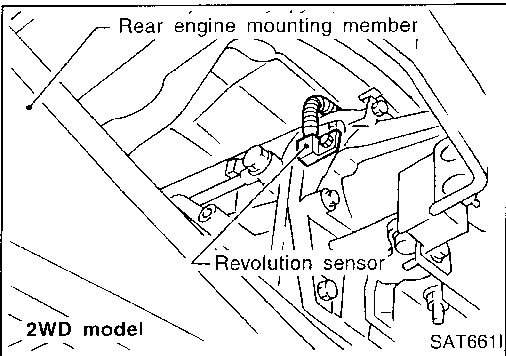
- Remove revolution sensor from A/T.
- **Always use new sealing parts.**

EC

FE

CL

MT



Rear Oil Seal Replacement

— 4WD model —

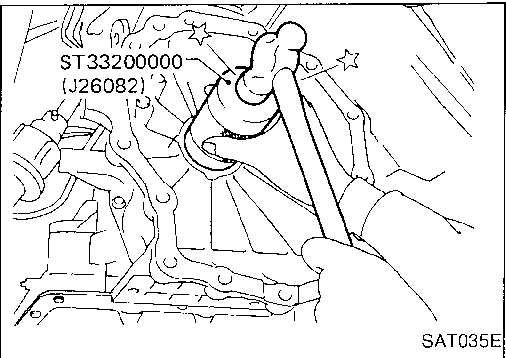
1. Remove transfer case from vehicle. Refer to TF section (“Removal”, “REMOVAL AND INSTALLATION”).
 2. Remove rear oil seal.
 3. Install rear oil seal.
 4. Reinstall any part removed.
- **Apply ATF before installing.**

AT

TF

PC

FA



— 2WD model —

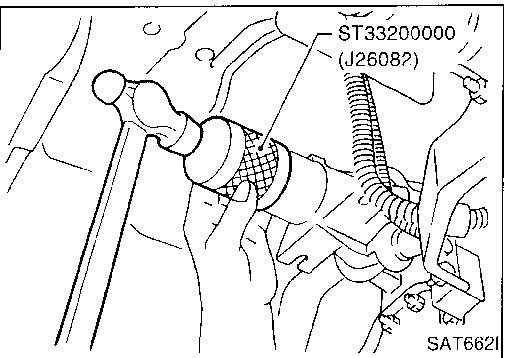
1. Remove propeller shaft from vehicle. Refer to PD section (“Removal”, “PROPELLER SHAFT”).
 2. Remove rear oil seal.
 3. Install rear oil seal.
 4. Reinstall any part removed.
- **Apply ATF before installing.**

RA

BR

ST

RS



Parking Components Inspection

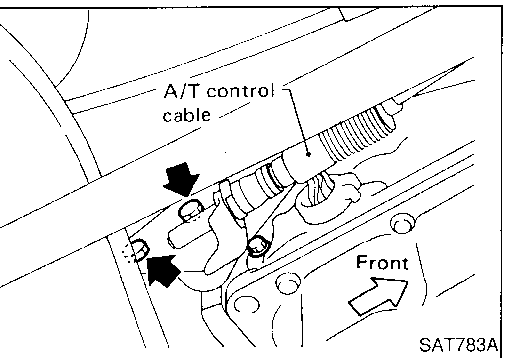
— 4WD model —

1. Remove propeller shaft. Refer to PD section (“Removal”, “PROPELLER SHAFT”).
2. Remove transfer case from vehicle. Refer to TF section (“Removal”, “REMOVAL AND INSTALLATION”).
3. Remove manual control linkage bracket from adapter case.

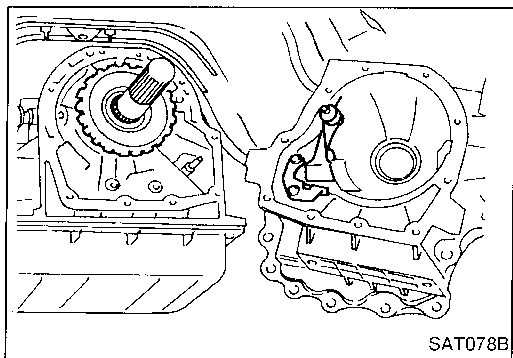
HA

EL

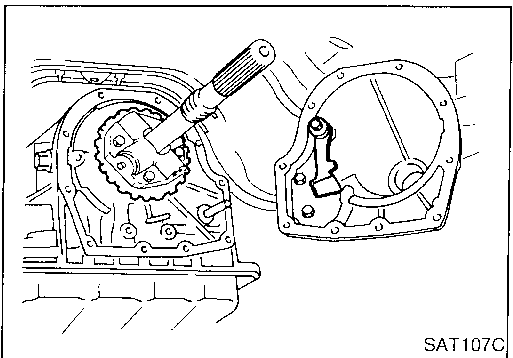
IDX



Parking Components Inspection (Cont'd)

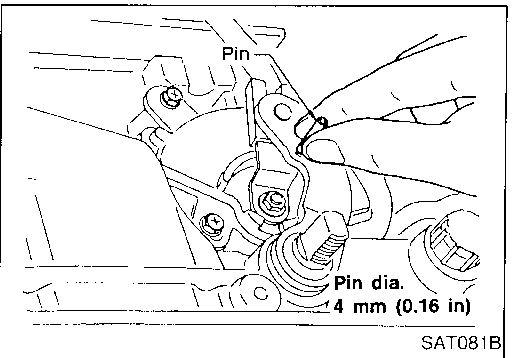


4. Support A/T assembly with a jack.
 5. Remove adapter case from transmission case.
 6. Replace parking components if necessary.
 7. Reinstall any part removed.
- **Always use new sealing parts.**



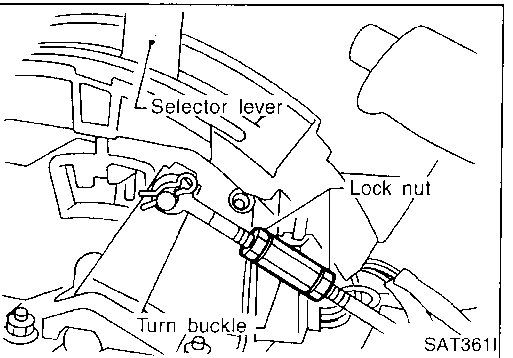
— 2WD model —

1. Remove propeller shaft from vehicle. Refer to PD section ("Removal", "PROPELLER SHAFT").
 2. Support A/T assembly with a jack.
 3. Remove rear engine mounting member. Tighten rear engine mounting member to the specified torque. Refer to EM section ("ENGINE REMOVAL").
 4. Remove rear extension from transmission case.
 5. Replace parking components if necessary.
 6. Reinstall any part removed.
- **Always use new sealing parts.**



Inhibitor Switch Adjustment

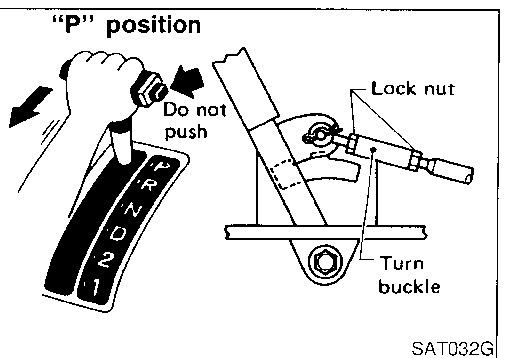
1. Remove manual control linkage from manual shaft of A/T assembly.
2. Set manual shaft of A/T assembly in "N" position.
3. Loosen inhibitor switch fixing bolts.
4. Insert pin into adjustment holes in both inhibitor switch and manual shaft of A/T assembly as near vertical as possible.
5. Reinstall any part removed.
6. Check continuity of inhibitor switch. Refer to "Components Inspection", AT-59.



Manual Control Linkage Adjustment

Move selector lever from "P" position to "1" position. You should be able to feel the detents in each position. If the detents cannot be felt or the pointer indicating the position is improperly aligned, the linkage needs adjustment.

1. Place selector lever in "P" position.
2. Loosen lock nuts.



3. Tighten turn buckle until aligns with inner cable, pulling selector lever toward "R" position side without pushing button.
4. Back off turn buckle 1 turn and tighten lock nuts to the specified torque.

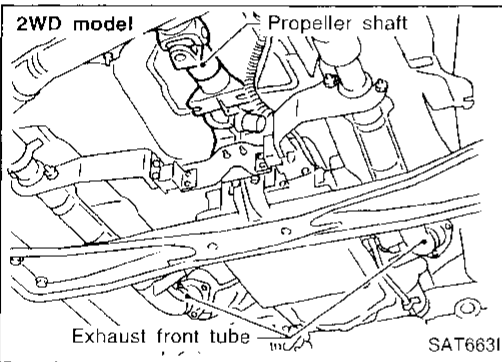
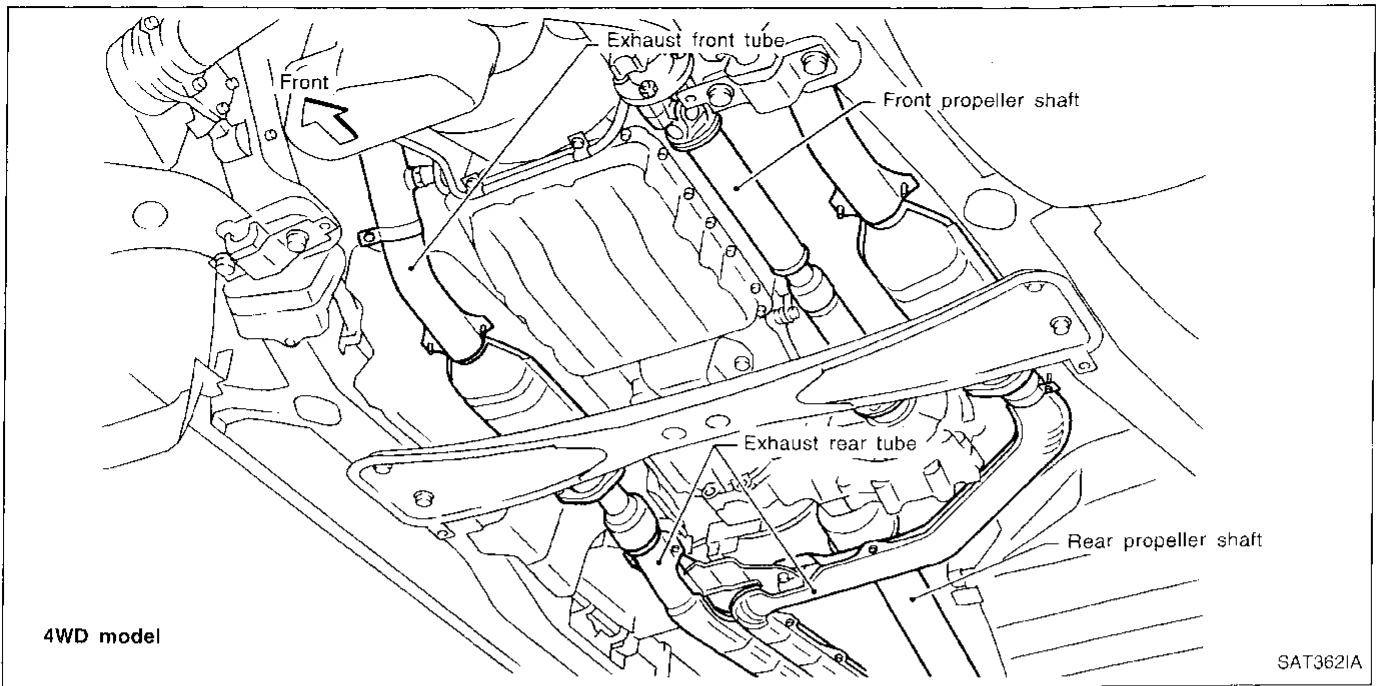
Lock nut

☐ : 4.4 - 5.9 N·m

(0.45 - 0.60 kg-m, 39.1 - 52.1 in-lb)

5. Move selector lever from "P" position to "1" position. Make sure that selector lever can move smoothly.

REMOVAL AND INSTALLATION



Removal

CAUTION:
When removing the A/T assembly from engine, first remove the crankshaft position sensor (OBD) from the A/T assembly upper side.

Be careful not to damage sensor edge.

— 4WD and 2WD model —

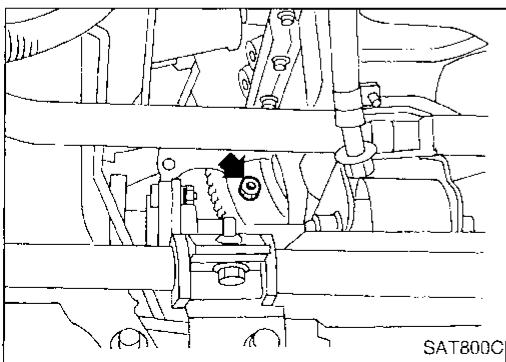
1. Remove battery negative terminal.
2. Remove exhaust front and rear tubes.
3. Remove fluid charging pipe from A/T assembly.
4. Remove oil cooler pipe from A/T assembly.
5. Plug up openings such as the fluid charging pipe hole, etc.
6. Remove propeller shaft. Refer to PD section ("Removal", "PROPELLER SHAFT").
7. Remove transfer control linkage from transfer. Refer to TF section ("Removal" — "REMOVAL AND INSTALLATION").

- Insert plug into rear oil seal after removing rear propeller shaft.
 - Be careful not to damage spline, sleeve yoke and rear oil seal.
8. Remove A/T control cable from A/T assembly.
 9. Disconnect A/T and speedometer sensor harness connectors.
 10. Remove starter motor.

Tightening torque

□: 41 - 52 N·m (4.2 - 5.3 kg-m, 30 - 38 ft-lb)

11. Remove gusset and rear plate cover securing engine to A/T assembly.
 12. Remove bolts securing torque converter to drive plate.
- Remove the bolts by turning crankshaft.



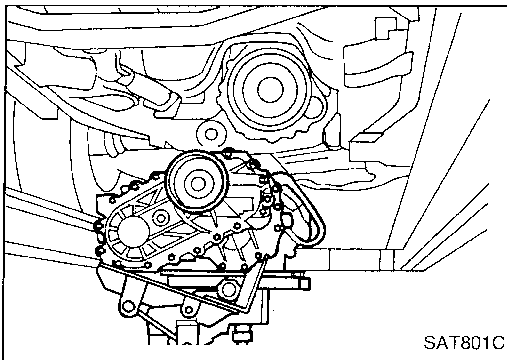
CI
MA
EM
LC
EC
FE
CL
MT
AT
TF
PD
SA
DA
BR
ST
RS
BT
HA
EL
DX

REMOVAL AND INSTALLATION

Removal (Cont'd)

— 4WD model —

- Support A/T and transfer assembly with a jack.
- Remove rear engine mounting member from body and A/T assembly. Tighten rear engine mounting member to the specified torque. Refer to EM section ("ENGINE REMOVAL").
- Remove bolts securing A/T assembly to engine.
- Lower A/T assembly with transfer.

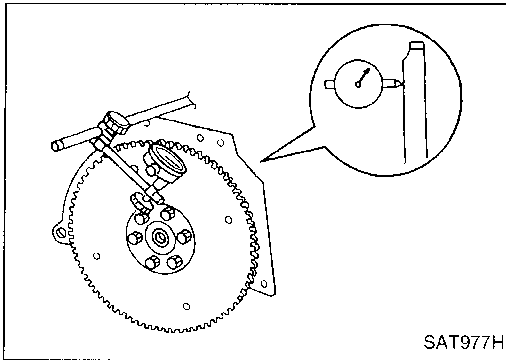


— 2WD model —

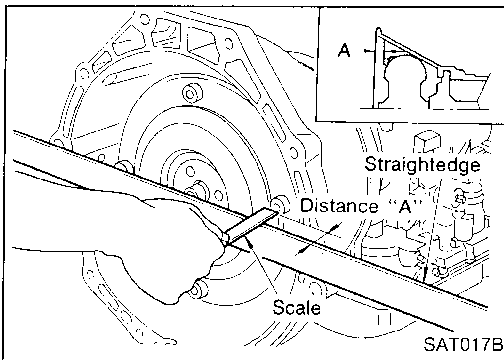
- Support A/T assembly with a jack.
 - Remove rear engine mounting member from body and A/T assembly. Tighten rear engine mounting member to the specified torque. Refer to EM section ("ENGINE REMOVAL").
 - Remove bolts securing A/T assembly to engine.
 - Pull A/T assembly backwards.
- Secure torque converter to prevent it from dropping.
 - Secure A/T assembly to a jack.
- Lower A/T assembly.

Installation

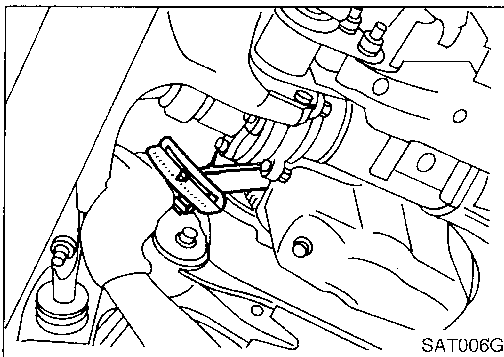
- Drive plate runout
**Maximum allowable runout:
0.5 mm (0.020 in)**
If this runout is out of specification, replace drive plate with ring gear.



- When connecting torque converter to transmission, measure distance "A" to be certain that they are correctly assembled.
**Distance "A":
26.0 mm (1.024 in) or more**

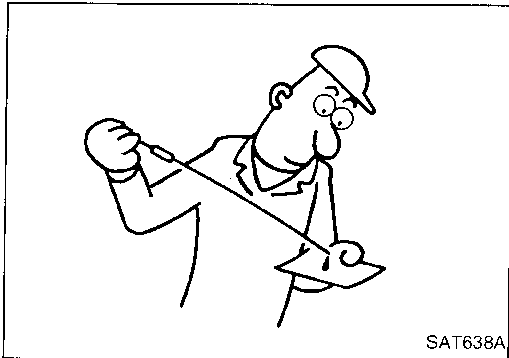
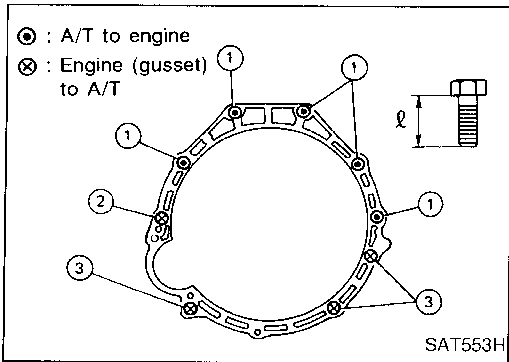


- Install converter to drive plate.
- After converter is installed to drive plate, rotate crankshaft several turns and check to be sure that transmission rotates freely without binding.



REMOVAL AND INSTALLATION

Installation (Cont'd)



- Tighten bolts securing transmission.

Bolt No.	Tightening torque N·m (kg-m, ft-lb)	Bolt length "l" mm (in)
①	39 - 49 (4.0 - 5.0, 29 - 36)	47.5 (1.870)
②	39 - 49 (4.0 - 5.0, 29 - 36)	58.0 (2.283)
③	29 - 39 (3.0 - 4.0, 22 - 29)	25.0 (0.984)
Gusset to engine	29 - 39 (3.0 - 4.0, 22 - 29)	20.0 (0.787)

- Reinstall any part removed.
- Check fluid level in transmission.
- Move selector lever through all positions to be sure that transmission operates correctly.
With parking brake applied, rotate engine at idling. Move selector lever through "N" to "D", to "2", to "1" and to "R" positions. A slight shock should be felt by hand gripping selector each time transmission is shifted.
- Perform road test. Refer to "ROAD TEST", AT-35.

GI

MA

EM

LC

EC

FE

CL

MT

AT

TF

PD

FA

RA

BR

ST

RS

BT





HA

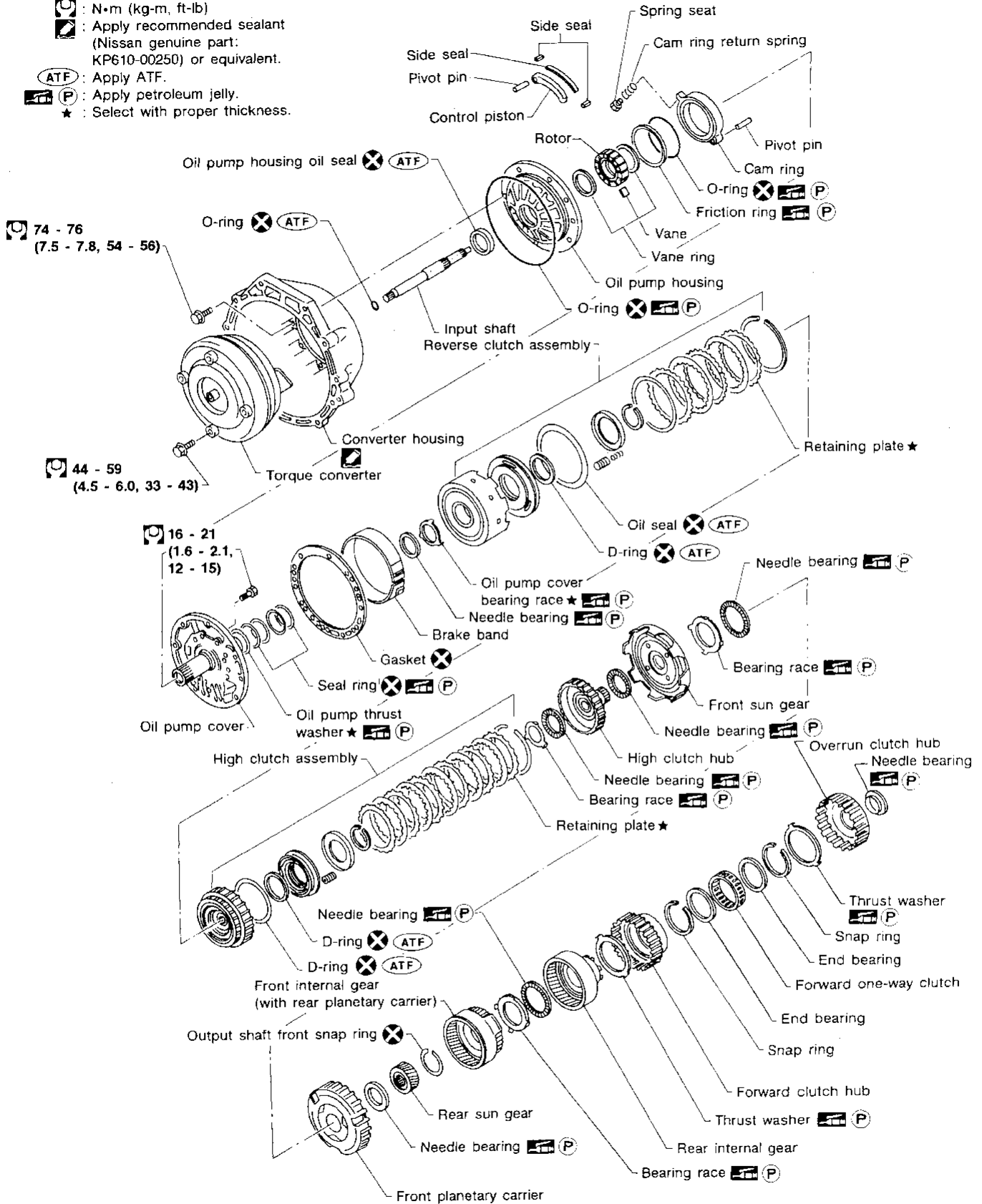
EL

IDX

MAJOR OVERHAUL

SEC. 311-313-315

-  : N·m (kg-m, ft-lb)
-  : Apply recommended sealant (Nissan genuine part: KP610-00250) or equivalent.
-  : Apply ATF.
-  : Apply petroleum jelly.
- ★ : Select with proper thickness.



MAJOR OVERHAUL

SEC. 311-315-317

: N·m (kg-m, in-lb)

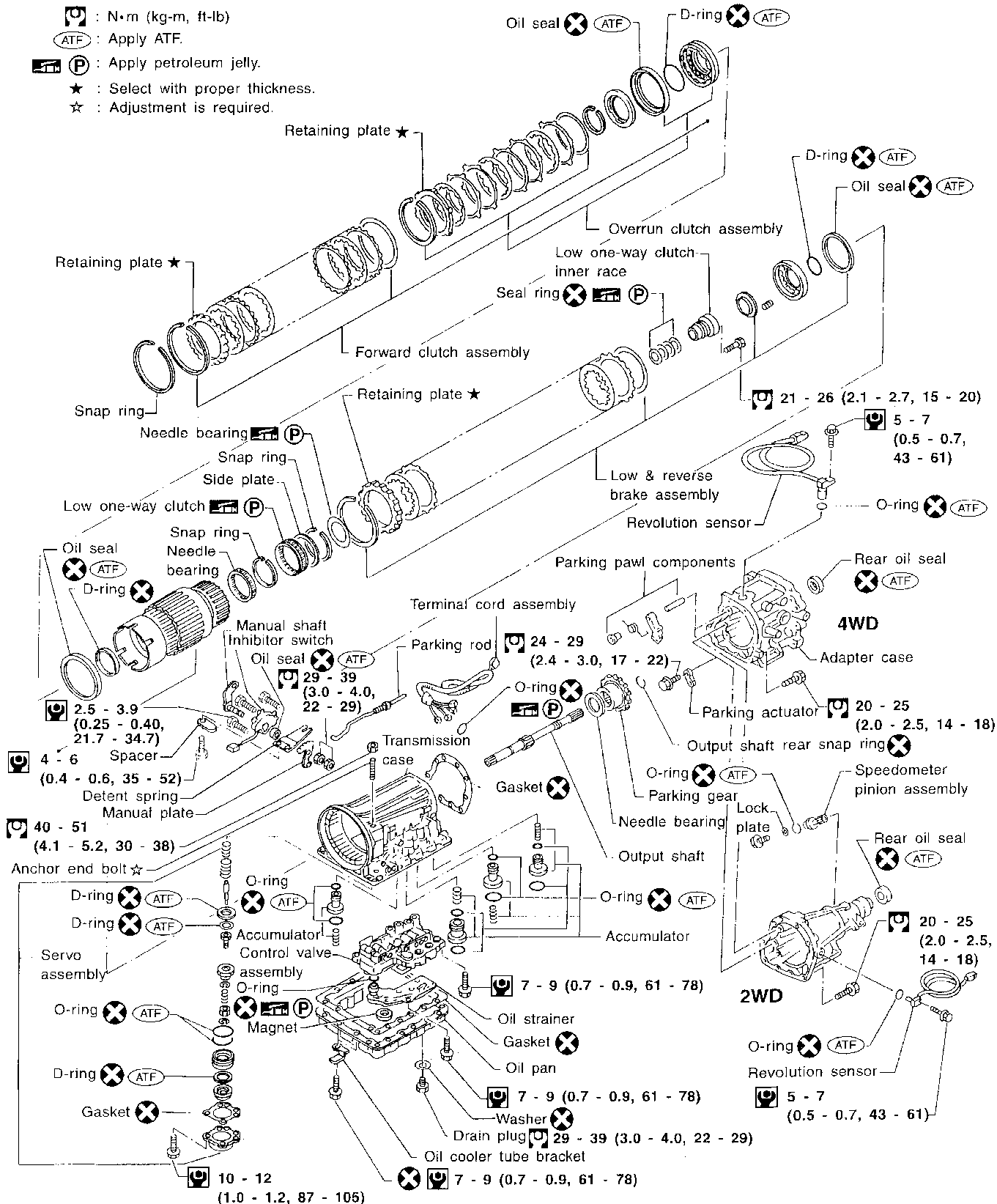
: N·m (kg-m, ft-lb)

: Apply ATF.

: Apply petroleum jelly.

★ : Select with proper thickness.

☆ : Adjustment is required.



GI

MA

EW

LC

EC

FE

CL

MT

AT

TF

PD

FA

RA

BR

ST

RS

BT

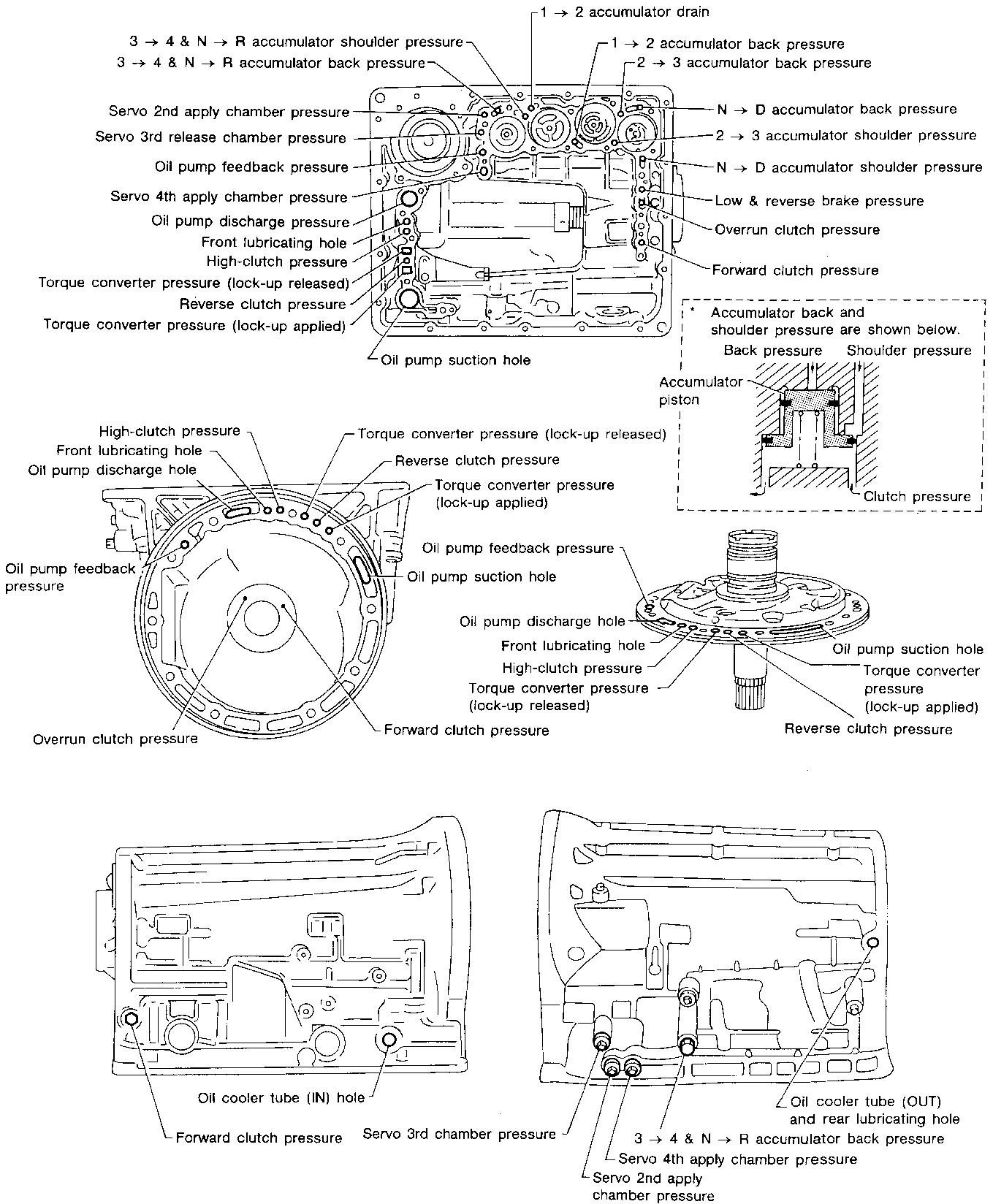
HA

EL

DX

MAJOR OVERHAUL

Oil Channel



MAJOR OVERHAUL

Locations of Needle Bearings, Thrust Washers and Snap Rings

Outer diameter of snap rings

Item number	Outer diameter mm (in)
②	161.0 (6.34)
③	140.1 (5.52)
④	156.4 (6.16)
⑥	142.0 (5.59)
⑦	159.2 (6.27)

Thrust washers

Item number	Color
①	Black
⑤	White

Outer diameter of needle bearings

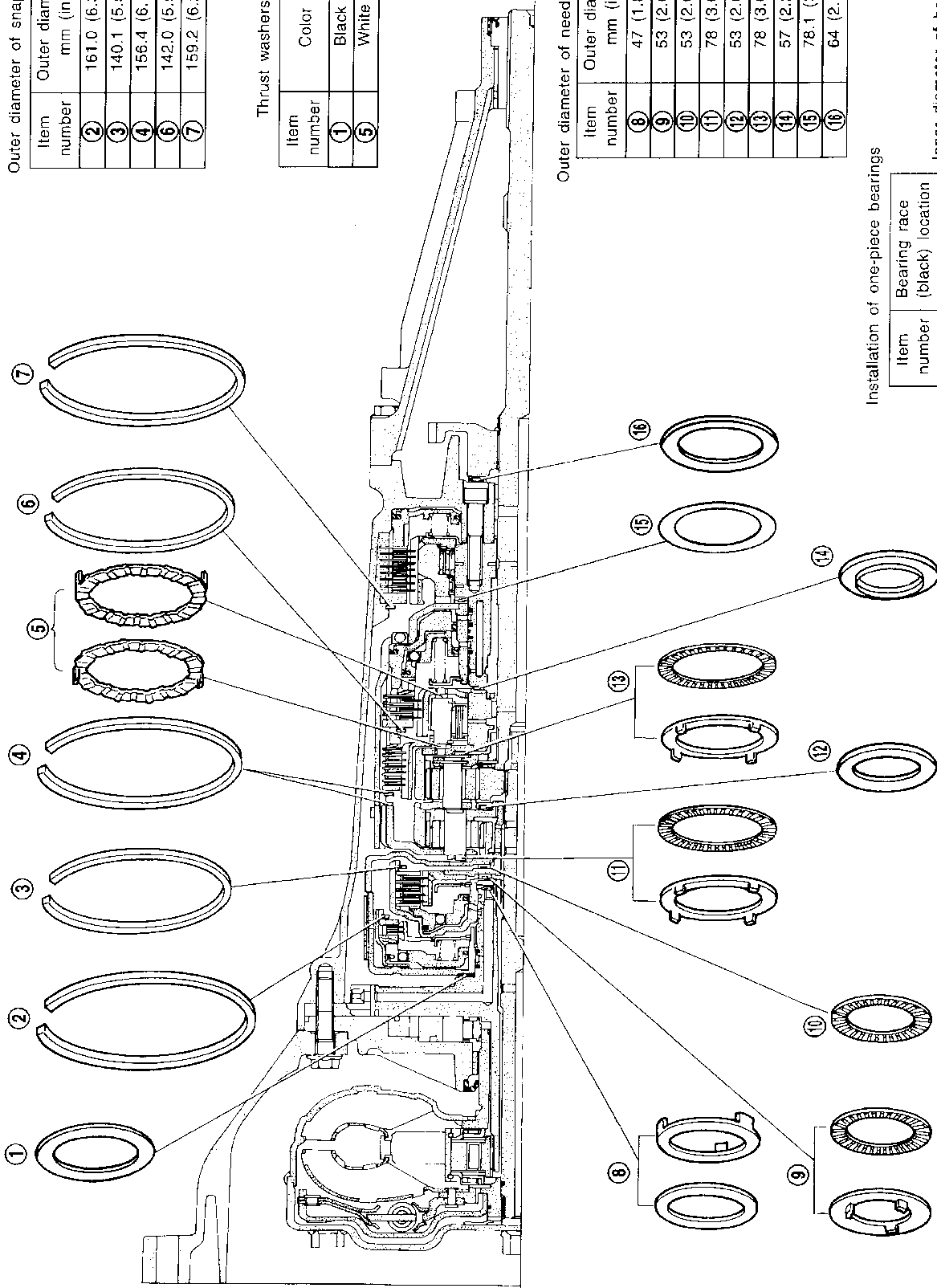
Item number	Outer diameter mm (in)
⑧	47 (1.85)
⑨	53 (2.09)
⑩	53 (2.09)
⑪	78 (3.07)
⑫	53 (2.09)
⑬	78 (3.07)
⑭	57 (2.24)
⑮	78.1 (3.075)
⑯	64 (2.52)

Inner diameter of bearing races

Item number	Outer diameter mm (in)
⑪	58 (2.28)
⑬	58.8 (2.315)

Installation of one-piece bearings

Item number	Bearing race (black) location		
	Front	Rear side	Rear side
⑫			
⑮			
⑯			

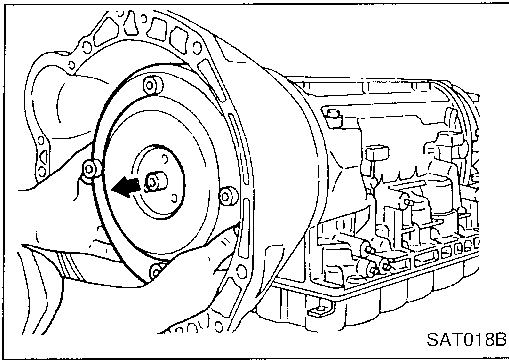


- GA
- MA
- EM
- LC
- EC
- UE
- CL
- MT
- AT**
- TF
- PD
- FA
- RA
- BR
- ST
- RS
- BT
- HA
- EL
- IDX

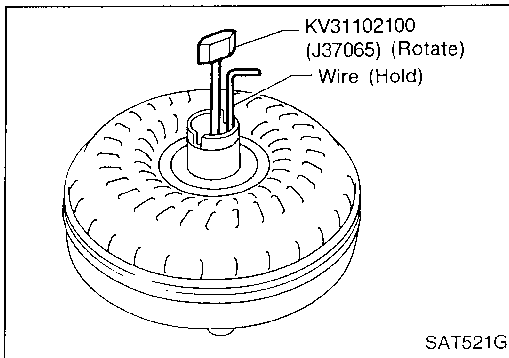
DISASSEMBLY

Disassembly

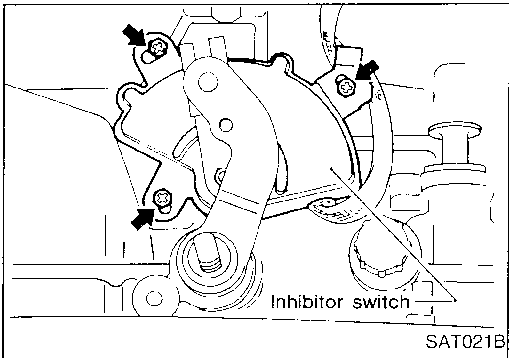
1. Drain ATF through drain plug.
2. Remove torque converter by holding it firmly and turning while pulling straight out.



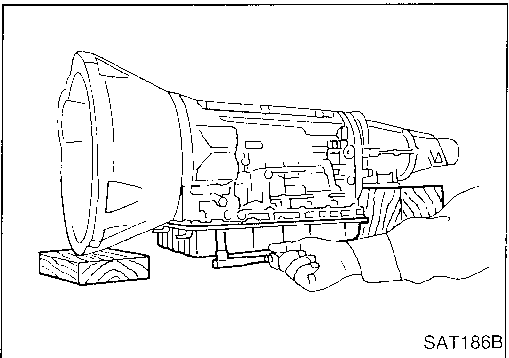
3. Check torque converter one-way clutch.
 - a. Insert Tool into spline of one-way clutch inner race.
 - b. Hook bearing support unitized with one-way clutch outer race with suitable wire.
 - c. Check that one-way clutch inner race rotates only clockwise with Tool while holding bearing support with wire.



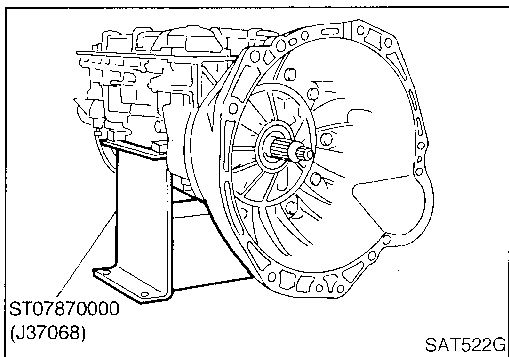
4. Remove inhibitor switch from transmission case.



5. Remove oil pan.
 - Always place oil pan straight down so that foreign particles inside will not move.

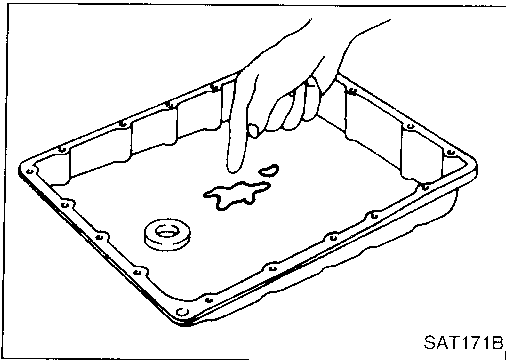


6. Place transmission into Tool with the control valve facing up.



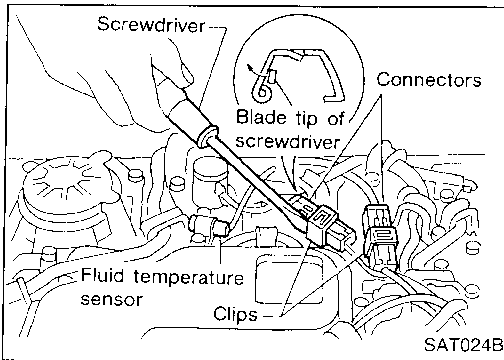
DISASSEMBLY

Disassembly (Cont'd)



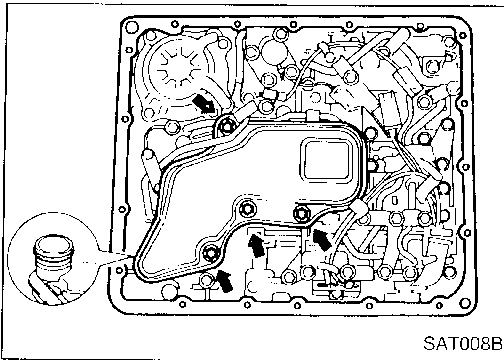
7. Check foreign materials in oil pan to help determine cause of malfunction. If the fluid is very dark, smells burned, or contains foreign particles, the frictional material (clutches, band) may need replacement. A tacky film that will not wipe clean indicates varnish build up. Varnish can cause valves, servo, and clutches to stick and may inhibit pump pressure.

- If frictional material is detected, replace radiator after repair of A/T. Refer to LC section ("Radiator", "ENGINE COOLING SYSTEM").

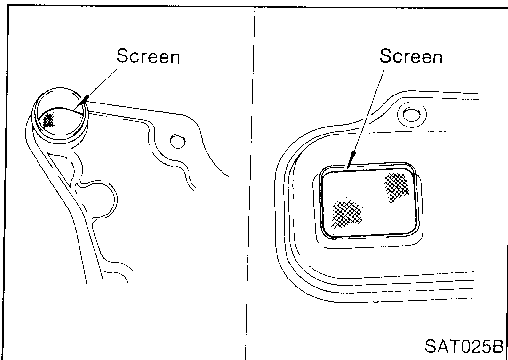


8. Remove torque converter clutch solenoid valve and fluid temperature sensor connectors.

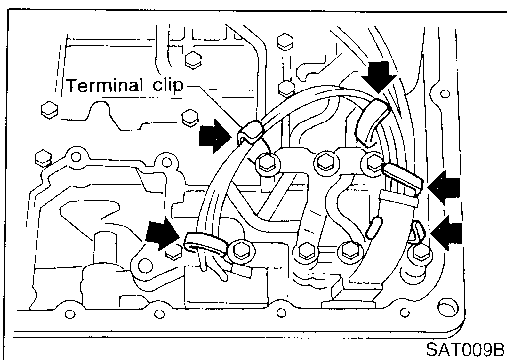
- Be careful not to damage connector.



9. Remove oil strainer.
- a. Remove oil strainer from control valve assembly. Then remove O-ring from oil strainer.



- b. Check oil strainer screen for damage.



10. Remove control valve assembly.
- a. Straighten terminal clips to free terminal cords then remove terminal clips.

GI

MA

EM

LC

EC

FE

CL

MT

AT

TF

PD

FA

RA

BR

ST

RS

BT

FA

EL

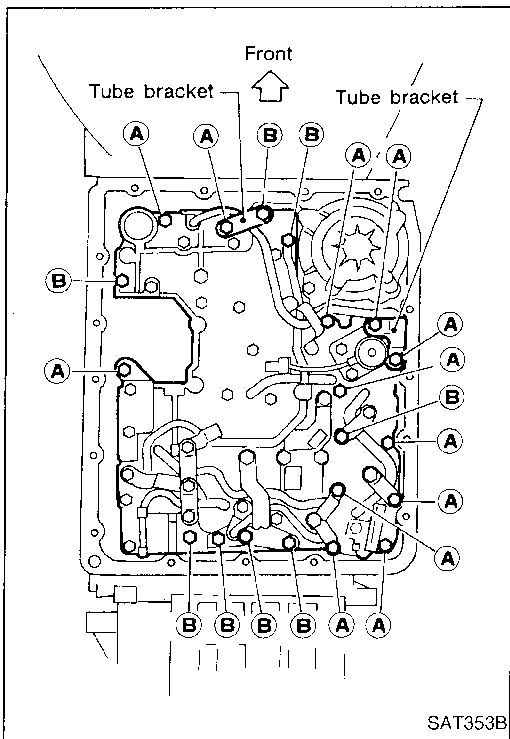
IDX

DISASSEMBLY

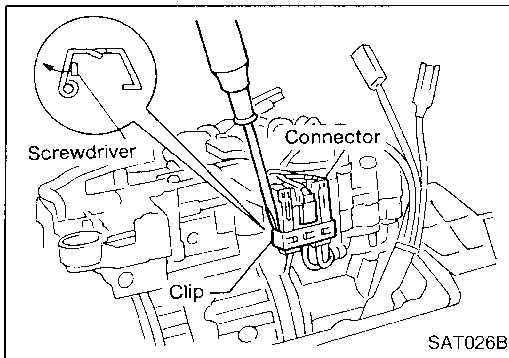
Disassembly (Cont'd)

- b. Remove bolts (A) and (B), and remove control valve assembly from transmission.

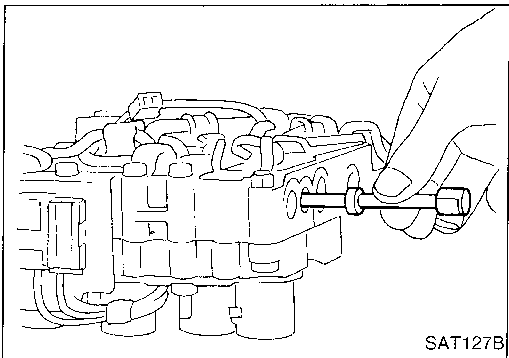
Bolt symbol	Length mm (in)
(A)	33 (1.30)
(B)	45 (1.77)



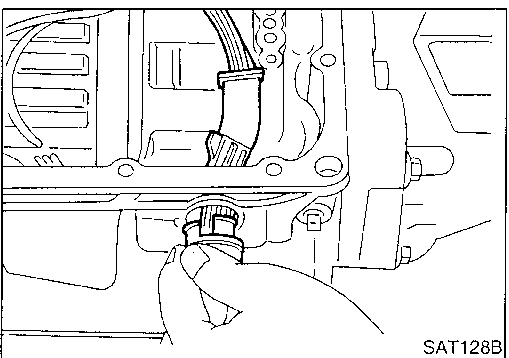
- c. Remove solenoid connector.
- Be careful not to damage connector.



- d. Remove manual valve from control valve assembly.



11. Remove terminal cord assembly from transmission case while pushing on stopper.
- Be careful not to damage cord.
 - Do not remove terminal cord assembly unless it is damaged.

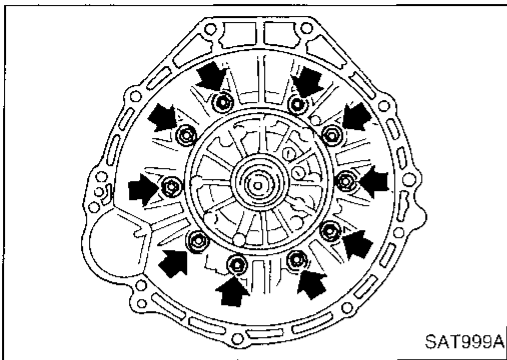


DISASSEMBLY

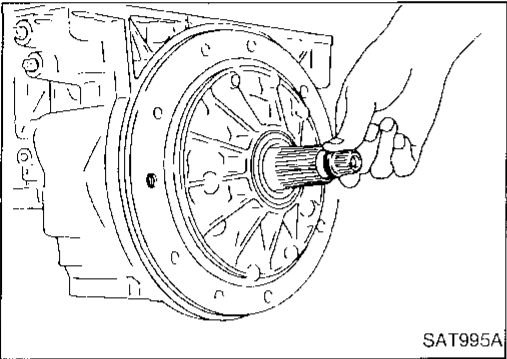
Disassembly (Cont'd)

12. Remove converter housing from transmission case.

- Be careful not to scratch converter housing.

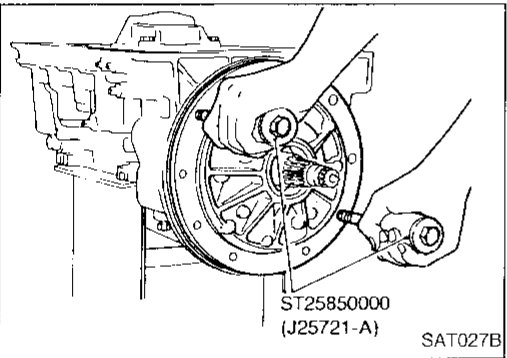


13. Remove O-ring from input shaft.



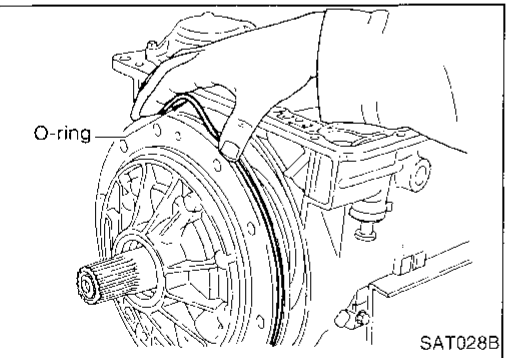
14. Remove oil pump assembly.

- a. Attach Tool to oil pump assembly and extract it evenly from transmission case.

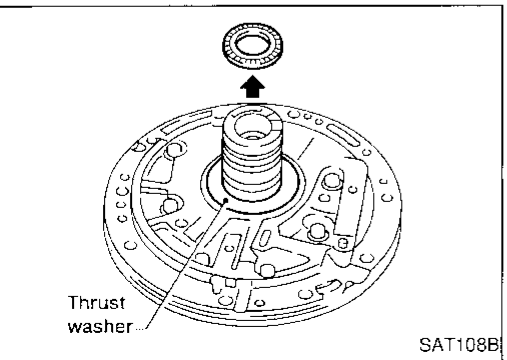


- b. Remove O-ring from oil pump assembly.
c. Remove traces of sealant from oil pump housing.

- Be careful not to scratch pump housing.



- d. Remove needle bearing and thrust washer from oil pump assembly.



GI

MA

EM

LC

EC

FE

GL

MT

AT

TF

PD

FA

RA

BR

ST

RS

BT

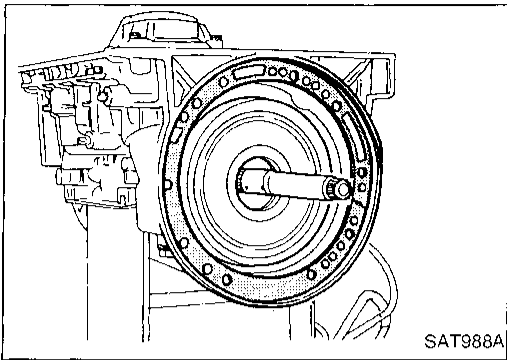
FA

EL

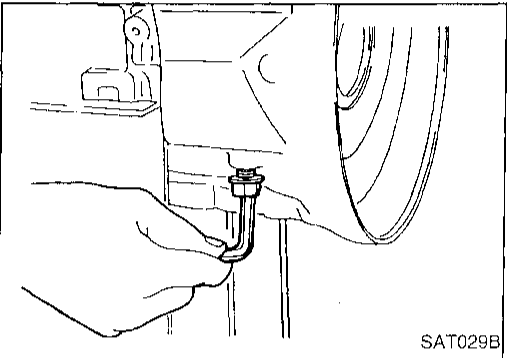
IDX

DISASSEMBLY

Disassembly (Cont'd)

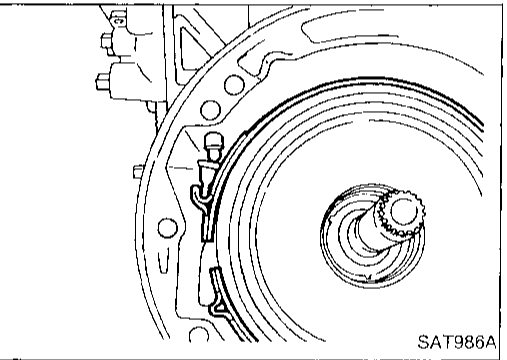


15. Remove input shaft and oil pump gasket.

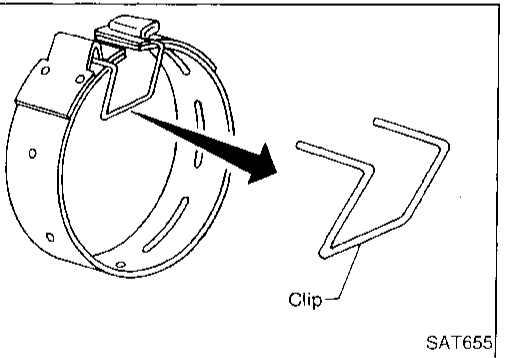


16. Remove brake band and band strut.

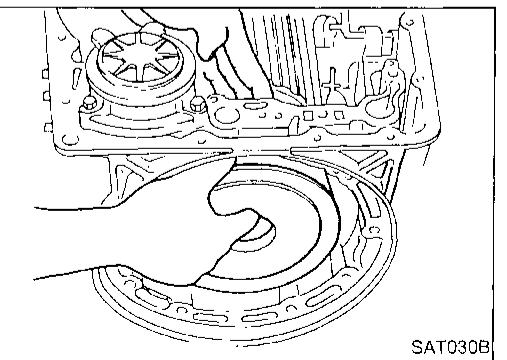
a. Loosen lock nut and remove band servo anchor end pin from transmission case.



b. Remove brake band and band strut from transmission case.



c. Hold brake band in a circular shape with clip.



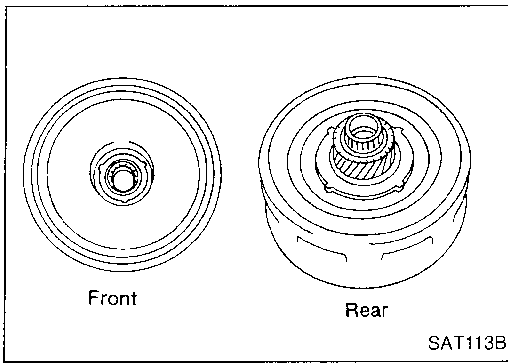
17. Remove front side clutch and gear components.

a. Remove clutch pack (reverse clutch, high clutch and front sun gear) from transmission case.

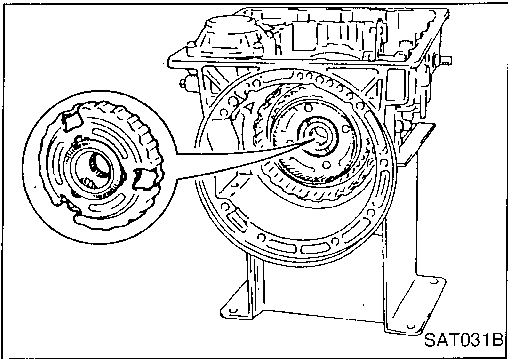
DISASSEMBLY

Disassembly (Cont'd)

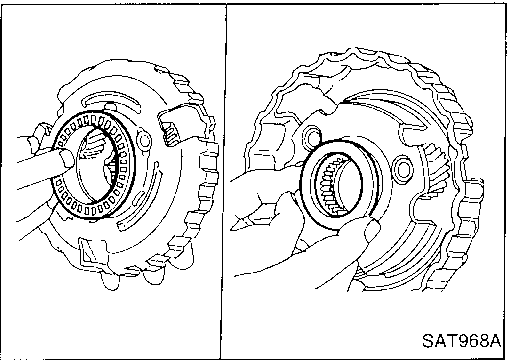
- b. Remove front bearing race from clutch pack.
- c. Remove rear bearing race from clutch pack.



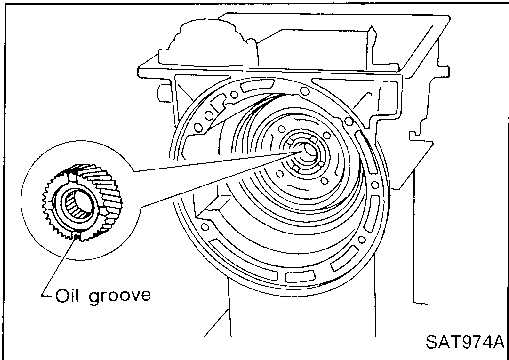
- d. Remove front planetary carrier from transmission case.



- e. Remove front needle bearing from front planetary carrier.
- f. Remove rear bearing from front planetary carrier.



- g. Remove rear sun gear from transmission case.



GI

MA

EM

LC

EC

FE

CL

MT

AT

TF

PC

FA

RA

BR

ST

RS

BT

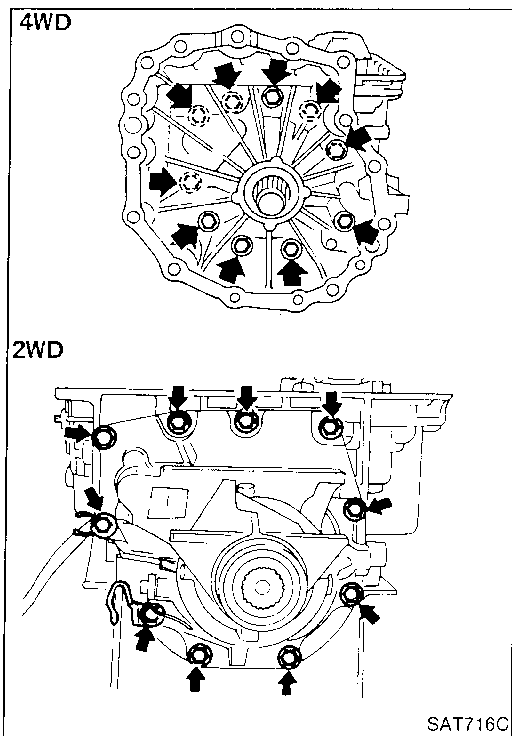
HA

EL

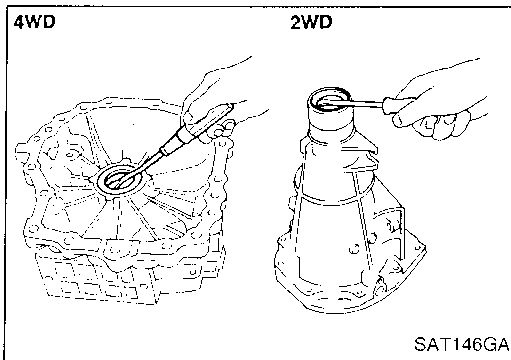
IDX

DISASSEMBLY

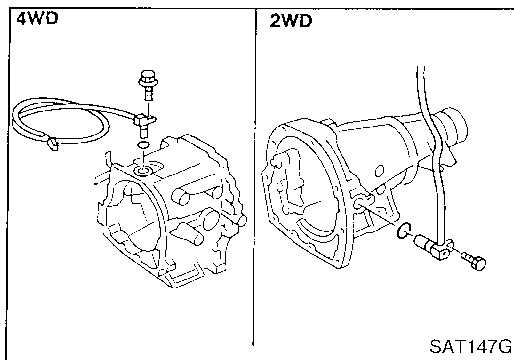
Disassembly (Cont'd)



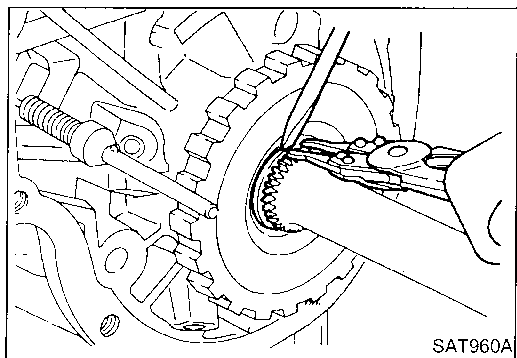
18. Remove rear extension or adapter case.
 - a. Remove rear extension or adapter case from transmission case.
 - b. Remove rear extension or adapter case gasket from transmission case.



- c. Remove oil seal from rear extension or adapter case.
- **Do not remove oil seal unless it is to be replaced.**



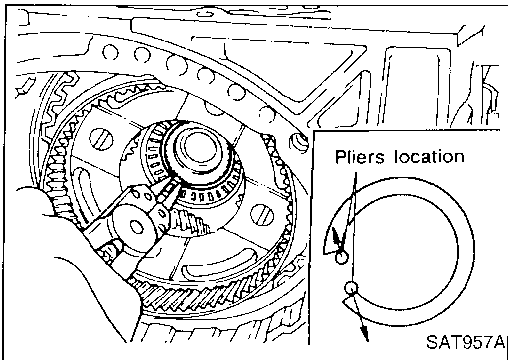
- d. Remove revolution sensor from rear extension or adapter case.
 - e. Remove O-ring from revolution sensor.



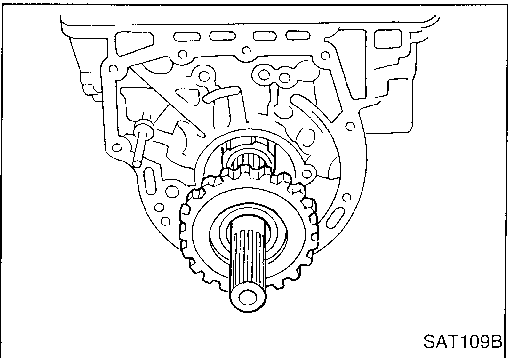
19. Remove output shaft and parking gear.
 - a. Remove rear snap ring from output shaft.

DISASSEMBLY

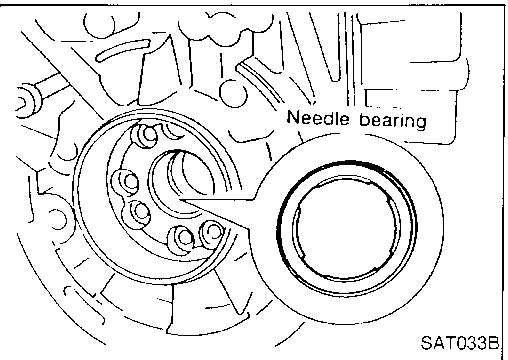
Disassembly (Cont'd)



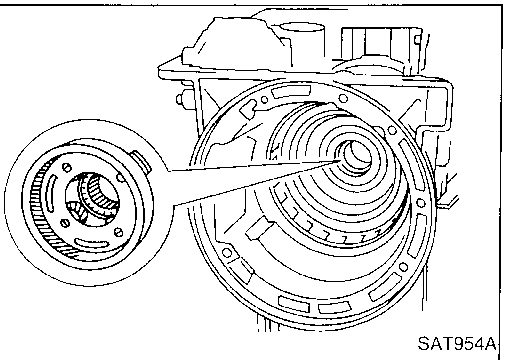
- b. Slowly push output shaft all the way forward.
- **Do not use excessive force.**
- c. Remove snap ring from output shaft.



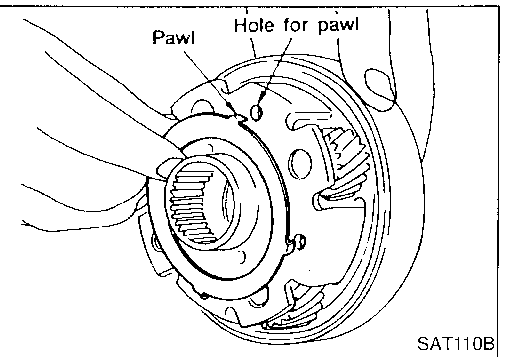
- d. Remove output shaft and parking gear as a unit from transmission case.
- e. Remove parking gear from output shaft.



- f. Remove needle bearing from transmission case.



- 20. Remove rear side clutch and gear components.
- a. Remove front internal gear.

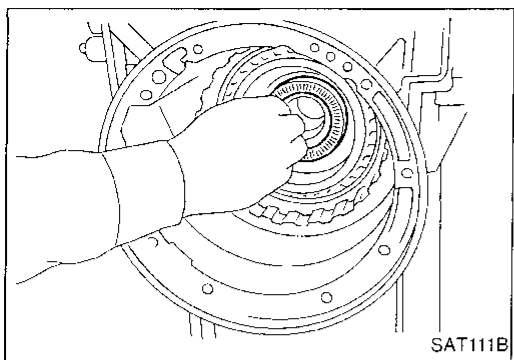


- b. Remove bearing race from front internal gear.

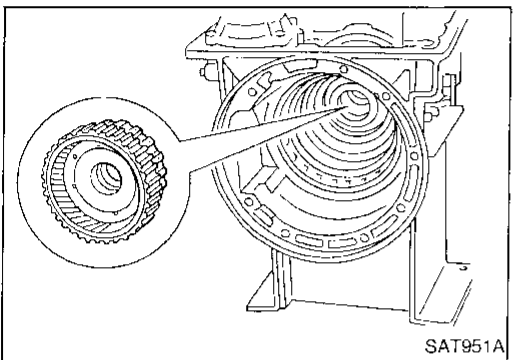
GI
MA
EM
LC
EC
FE
CL
ME
AT
TF
PC
FA
RA
BR
ST
RS
BT
FA
EL
IDX

DISASSEMBLY

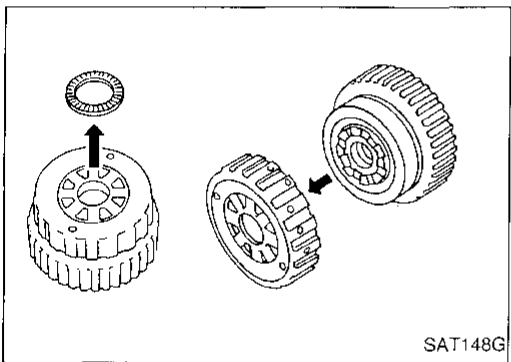
Disassembly (Cont'd)



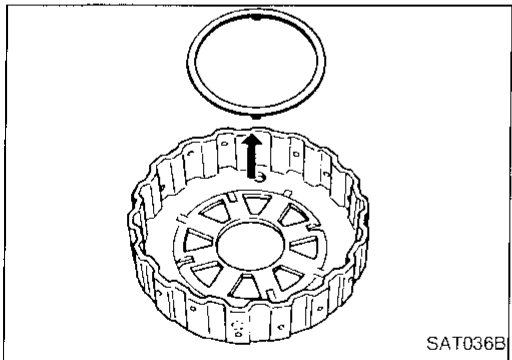
c. Remove needle bearing from rear internal gear.



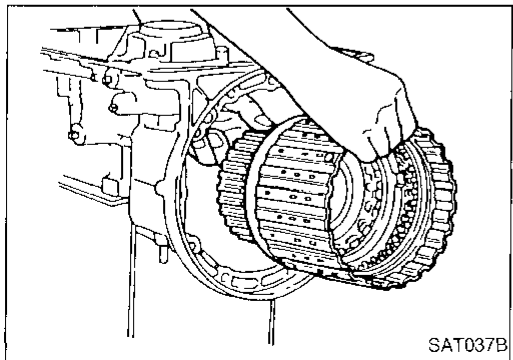
d. Remove rear internal gear, forward clutch hub and overrun clutch hub as a set from transmission case.



e. Remove needle bearing from overrun clutch hub.
f. Remove overrun clutch hub from rear internal gear and forward clutch hub.



g. Remove thrust washer from overrun clutch hub.

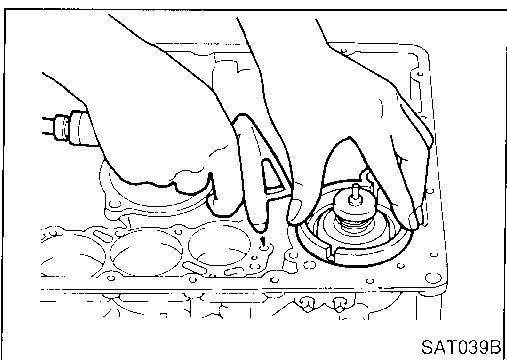
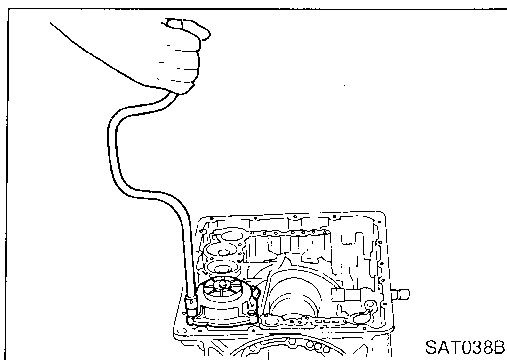


h. Remove forward clutch assembly from transmission case.

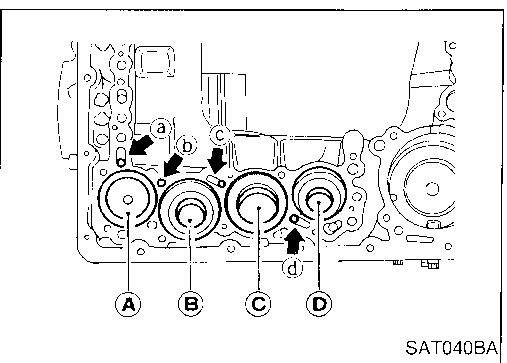
DISASSEMBLY

Disassembly (Cont'd)

21. Remove band servo and accumulator components.
 a. Remove band servo retainer from transmission case.



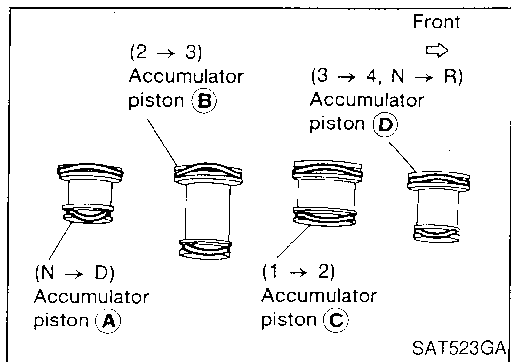
- b. Apply compressed air to oil hole until band servo piston comes out of transmission case.
 ● **Hold piston with a rag and gradually direct air to oil hole.**
 c. Remove return springs.



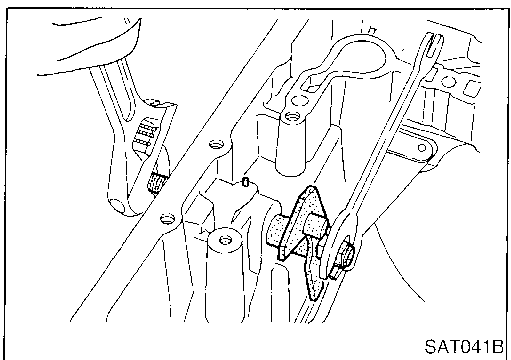
- d. Remove springs from accumulator pistons (B), (C) and (D).
 e. Apply compressed air to each oil hole until piston comes out.
 ● **Hold piston with a rag and gradually direct air to oil hole.**

Identification of accumulator pistons	(A)	(B)	(C)	(D)
Identification of oil holes	(a)	(b)	(c)	(d)

- f. Remove O-ring from each piston.



22. Remove manual shaft components, if necessary.
 a. Hold width across flats of manual shaft (outside the transmission case) and remove lock nut from shaft.



G

MA

EM

IC

EC

FE

CL

MT

AT

TF

FD

FA

PA

BR

ST

RS

BT

HA

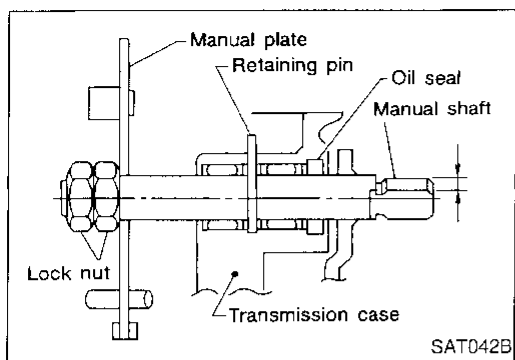
EL

DX

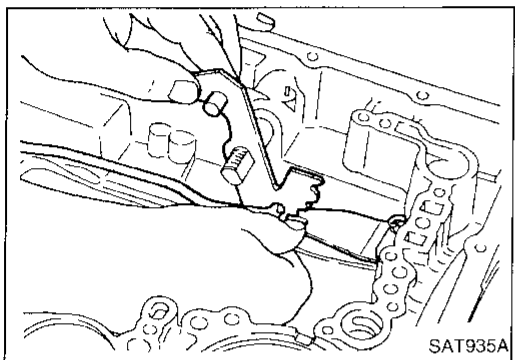
DISASSEMBLY

Disassembly (Cont'd)

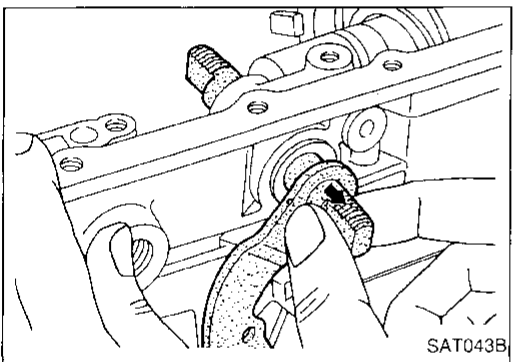
b. Remove retaining pin from transmission case.



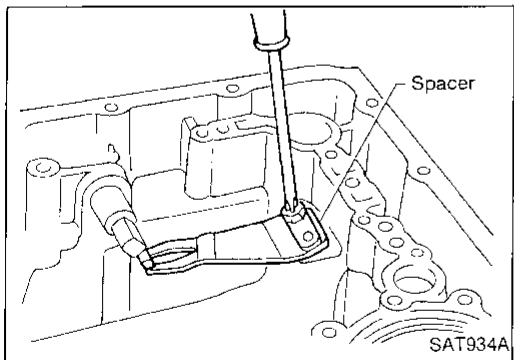
c. While pushing detent spring down, remove manual plate and parking rod from transmission case.



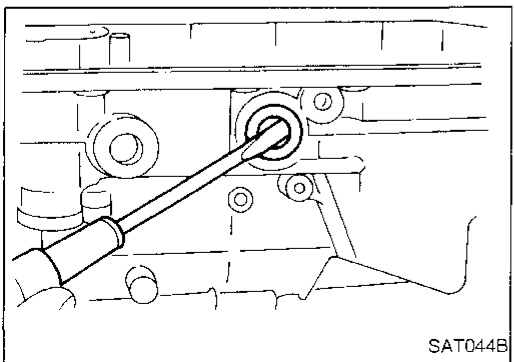
d. Remove manual shaft from transmission case.



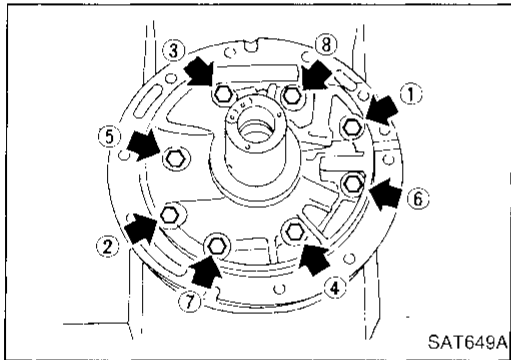
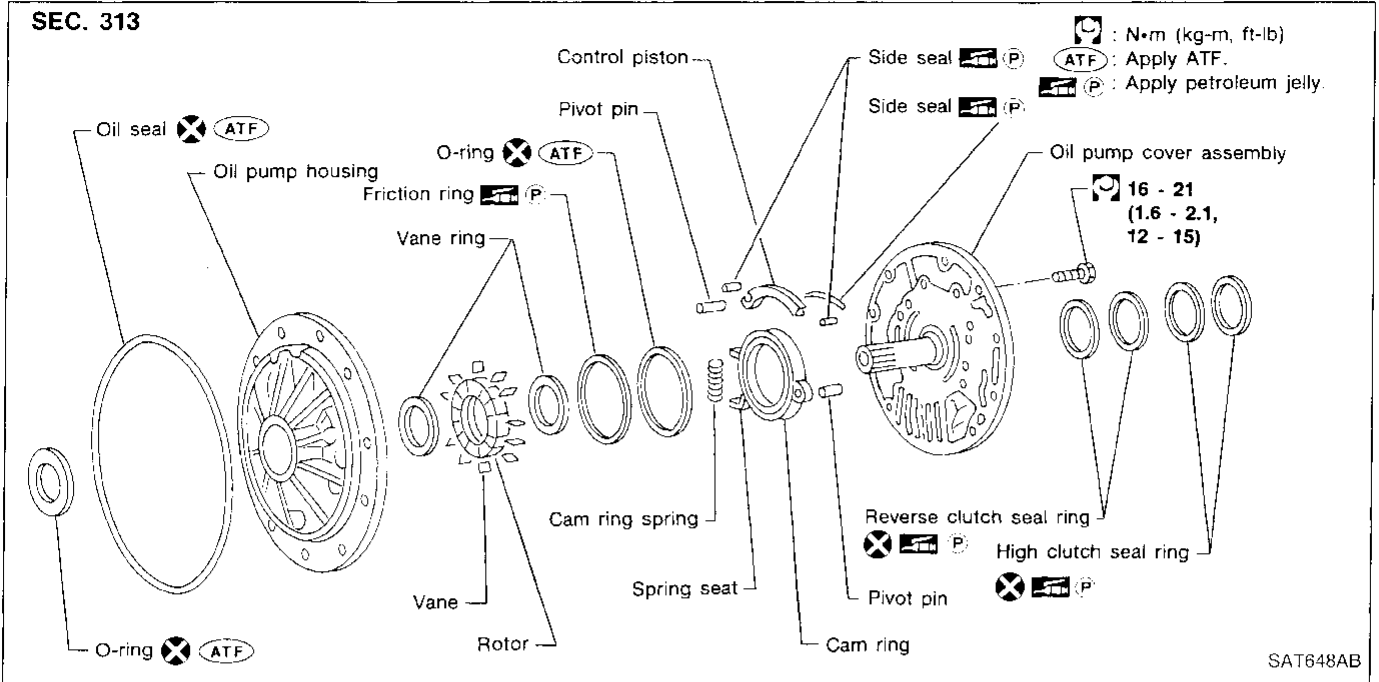
e. Remove spacer and detent spring from transmission case.



f. Remove oil seal from transmission case.

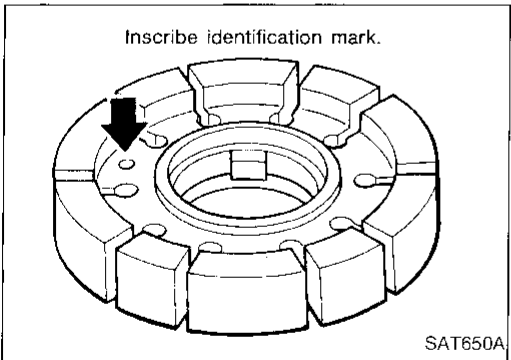


Oil Pump

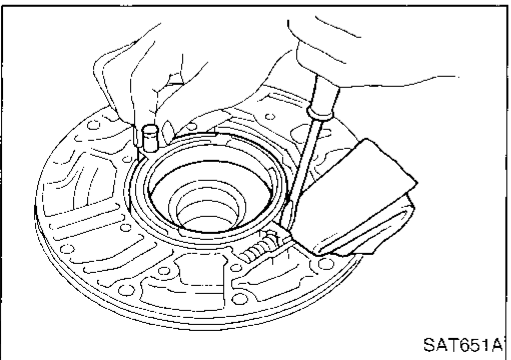


DISASSEMBLY

- Loosen bolts in numerical order and remove oil pump cover.



- Remove rotor, vane rings and vanes.
 - Inscribe a mark on back of rotor for identification of fore-aft direction when reassembling rotor. Then remove rotor.



- While pushing on cam ring remove pivot pin.
 - Be careful not to scratch oil pump housing.

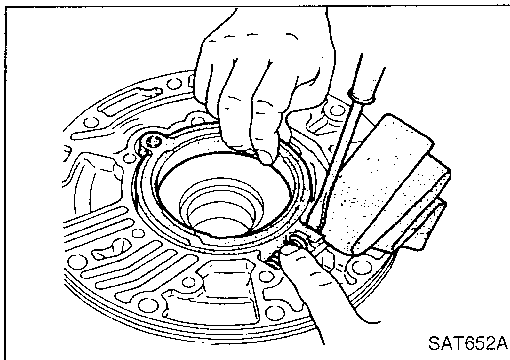
GI
 MA
 EM
 LC
 EC
 FC
 CL
 MT

AT

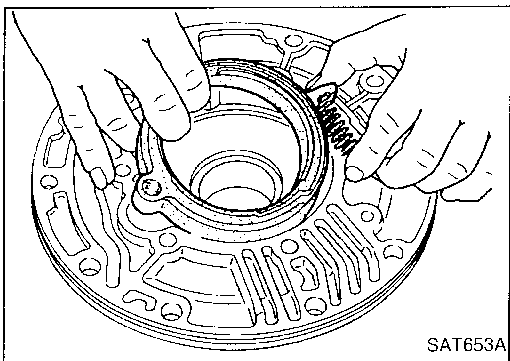
TF
 PD
 FA
 RA
 BR
 ST
 RS
 BT
 HA
 EL
 IDX

REPAIR FOR COMPONENT PARTS

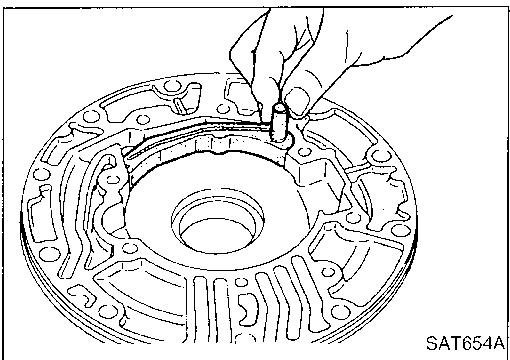
Oil Pump (Cont'd)



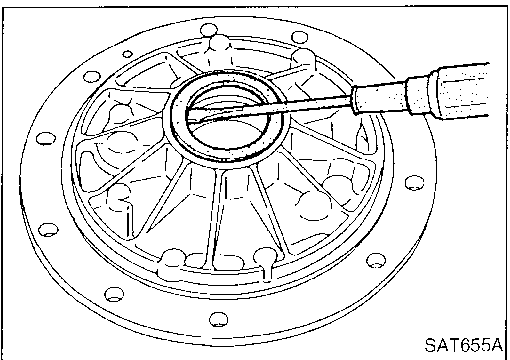
4. While holding cam ring and spring lift out cam ring spring.
 - Be careful not to damage oil pump housing.
 - Hold cam ring spring to prevent it from jumping.



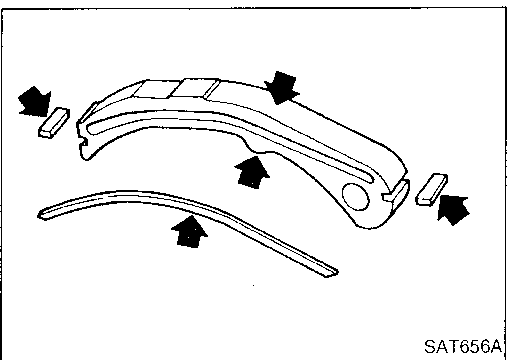
5. Remove cam ring and cam ring spring from oil pump housing.



6. Remove pivot pin from control piston and remove control piston assembly.



7. Remove oil seal from oil pump housing.
 - Be careful not to scratch oil pump housing.



INSPECTION

Oil pump cover, rotor, vanes, control piston, side seals, cam ring and friction ring

- Check for wear or damage.

REPAIR FOR COMPONENT PARTS

Oil Pump (Cont'd)

Side clearances

- Measure side clearances between end of oil pump housing and cam ring, rotor, vanes and control piston. Measure in at least four places along their circumferences. Maximum measured values should be within specified positions.
- **Before measurement, check that friction rings, O-ring, control piston side seals and cam ring spring are removed.**

Standard clearance (Cam ring, rotor, vanes and control piston):

Refer to SDS, AT-217.

- If not within standard clearance, replace oil pump assembly except oil pump cover assembly.

Seal ring clearance

- Measure clearance between seal ring and ring groove.

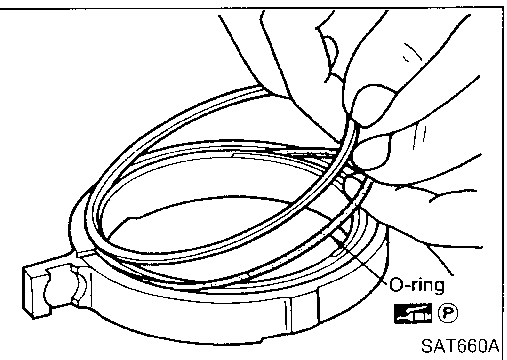
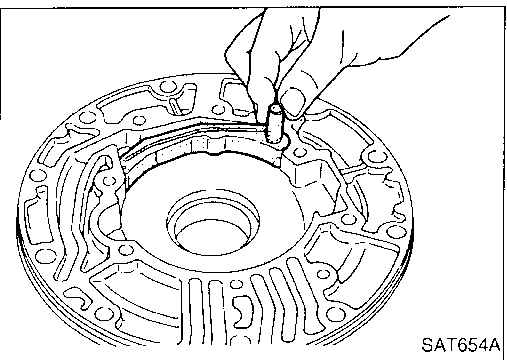
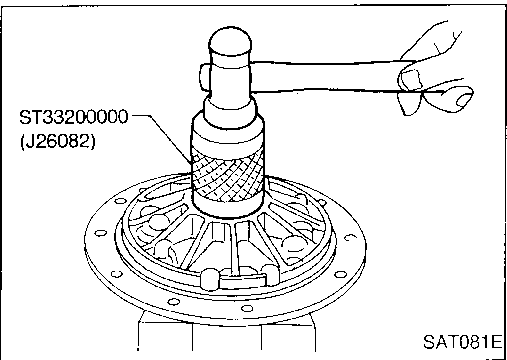
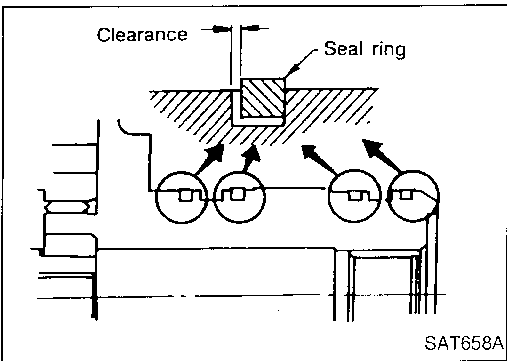
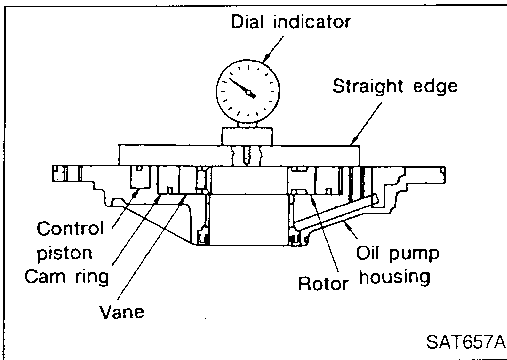
Standard clearance:

0.10 - 0.25 mm (0.0039 - 0.0098 in)

Wear limit:

0.25 mm (0.0098 in)

- If not within wear limit, replace oil pump cover assembly.



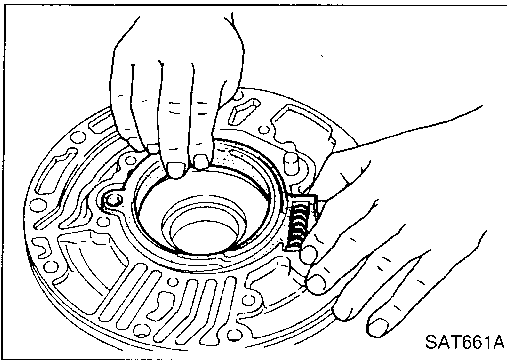
ASSEMBLY

1. Drive oil seal into oil pump housing.
 - **Apply ATF to outer periphery and lip surface.**
2. Install cam ring in oil pump housing by the following steps.
 - a. Install side seal on control piston.
 - **Pay attention to its direction — Black surface goes toward control piston.**
 - **Apply petroleum jelly to side seal.**
 - b. Install control piston on oil pump.
- c. Install O-ring and friction ring on cam ring.
 - **Apply petroleum jelly to O-ring.**

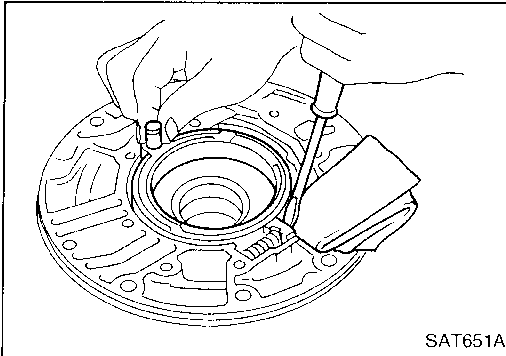
GI
MA
EM
LC
EC
FE
CL
MT
AT
TF
PD
FA
RA
BR
ST
RS
BT
HA
EL
IDX

REPAIR FOR COMPONENT PARTS

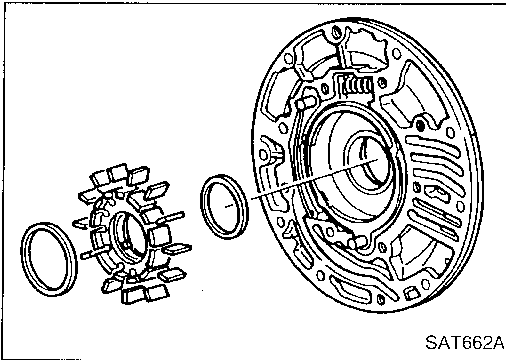
Oil Pump (Cont'd)



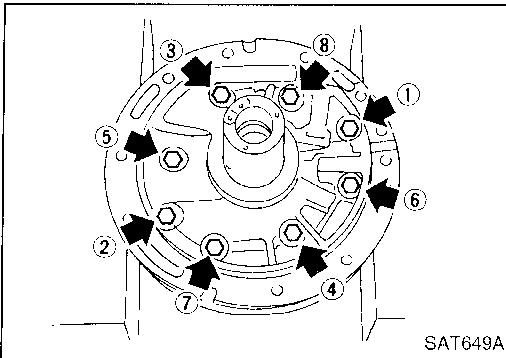
- d. Assemble cam ring, cam ring spring and spring seat. Install spring by pushing it against pump housing.



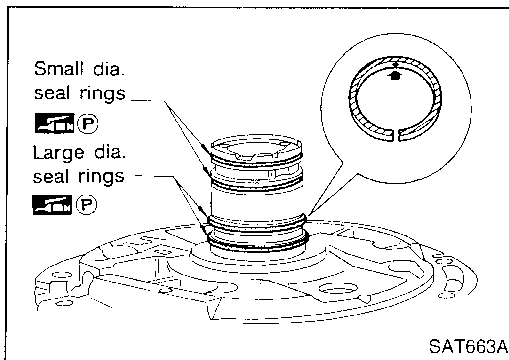
- e. While pushing on cam ring install pivot pin.



3. Install rotor, vanes and vane rings.
 • Pay attention to direction of rotor.



4. Install oil pump housing and oil pump cover.
 a. Wrap masking tape around splines of oil pump cover assembly to protect seal. Position oil pump cover assembly in oil pump housing assembly, then remove masking tape.
 b. Tighten bolts in a criss-cross pattern.



5. Install new seal rings carefully after packing ring grooves with petroleum jelly. Press rings down into jelly to a close fit.
 • Seal rings come in two different diameters. Check fit carefully in each groove.
 • Do not spread gap of seal ring excessively while installing. It may deform ring.

Control Valve Assembly

SEC. 317



10 - 13 (1.0 - 1.3, 87 - 113)

Fluid temperature sensor

Torque converter clutch solenoid valve

O-ring

Harness clip



7 - 9
(0.7 - 0.9, 61 - 78)

Harness clip

Lower body

Orifice check spring

Orifice check valve

Reamer bolt

Reamer bolt
Pilot filter

Lower separate gasket

Separator plate

Upper separate gasket

Side plate

Support plates

Steel ball

Upper body

O-ring

O-ring

Line pressure solenoid valve

3-unit solenoid assembly
(overrun clutch solenoid valve and
shift solenoid valves A and B)



7 - 9 (0.7 - 0.9, 61 - 78)



: N·m (kg·m, in·lb)

GI

MA

EM

LC

EC

FE

CL

MT

AT

TF

PD

FA

RA

BR

ST

RS

BT

HA

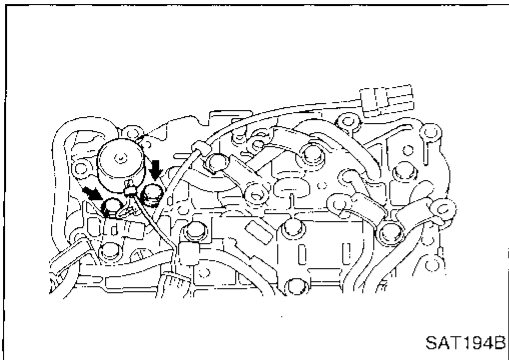
EL

IX

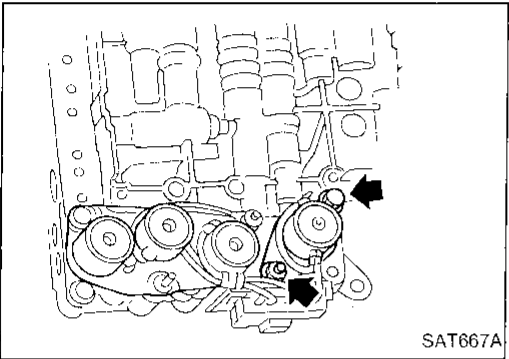
REPAIR FOR COMPONENT PARTS

Control Valve Assembly (Cont'd)

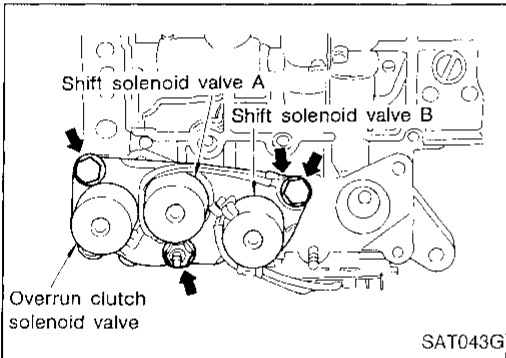
DISASSEMBLY



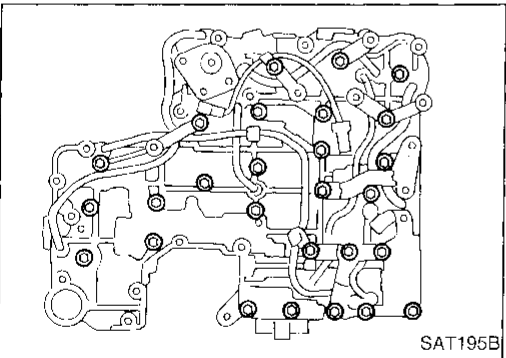
1. Remove solenoids.
 - a. Remove torque converter clutch solenoid valve and side plate from lower body.
 - b. Remove O-ring from solenoid.



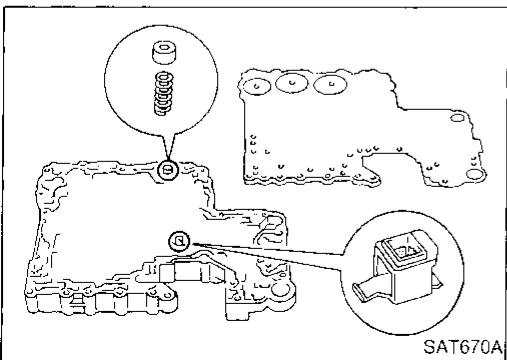
- c. Remove line pressure solenoid valve from upper body.
 - d. Remove O-ring from solenoid.



- e. Remove 3-unit solenoid assembly from upper body.
 - f. Remove O-rings from solenoids.



2. Disassemble upper and lower bodies.
 - a. Place upper body facedown, and remove bolts, reamer bolts and support plates.
 - b. Remove lower body, separator plate and separate gasket as a unit from upper body.
 - **Be careful not to drop pilot filter, orifice check valve, spring and steel balls.**

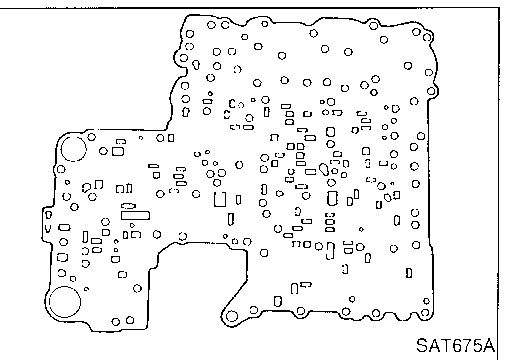
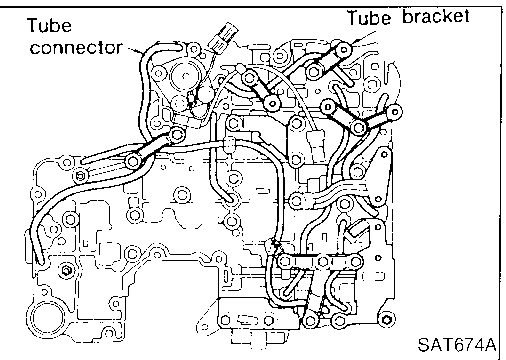
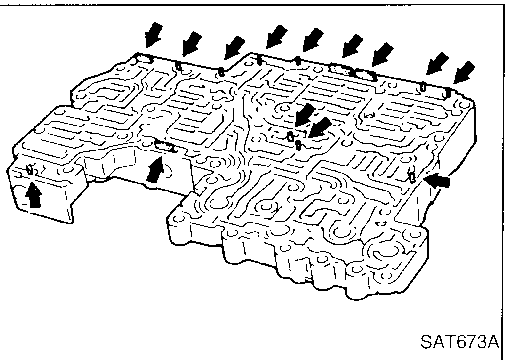
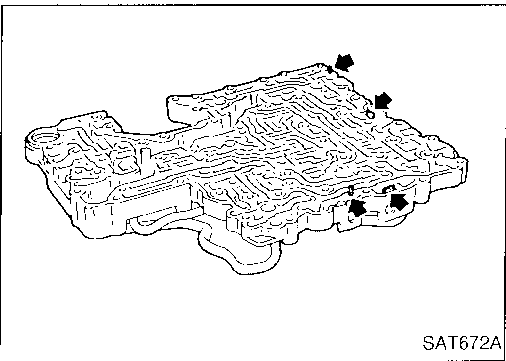
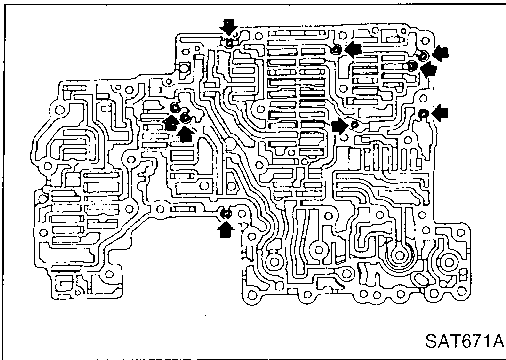


- c. Place lower body facedown, and remove separate gasket and separator plate.
 - d. Remove pilot filter, orifice check valve and orifice check spring.

REPAIR FOR COMPONENT PARTS

Control Valve Assembly (Cont'd)

- e. Check to see that steel balls are properly positioned in upper body. Then remove them from upper body.



INSPECTION

Lower and upper bodies

- Check to see that there are pins and retainer plates in lower body.

- Check to see that there are pins and retainer plates in upper body.

- **Be careful not to lose these parts.**

- Check to make sure that oil circuits are clean and free from damage.
- Check tube brackets and tube connectors for damage.

Separator plates

- Make sure that separator plate is free of damage and not deformed and oil holes are clean.

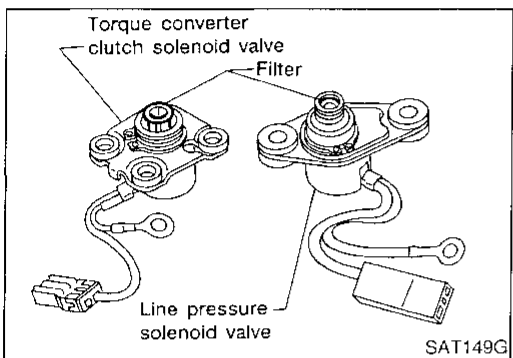
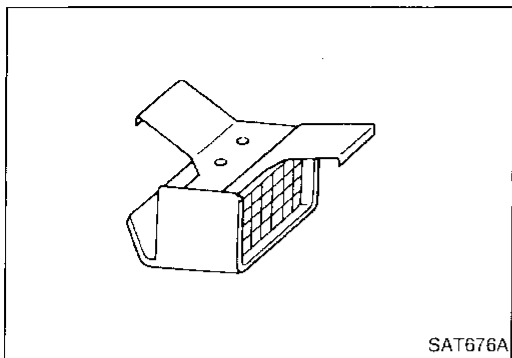
GI
MA
EM
LC
EC
FE
CL
MT
AT
TE
PD
FA
RA
BR
ST
RS
BT
HA
EL
DX

REPAIR FOR COMPONENT PARTS

Control Valve Assembly (Cont'd)

Pilot filter

- Check to make sure that filter is not clogged or damaged.

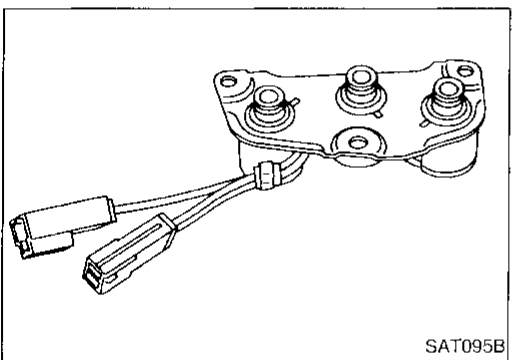


Torque converter clutch solenoid valve

- Check that filter is not clogged or damaged.
- Measure resistance. Refer to "Component Inspection", AT-79.

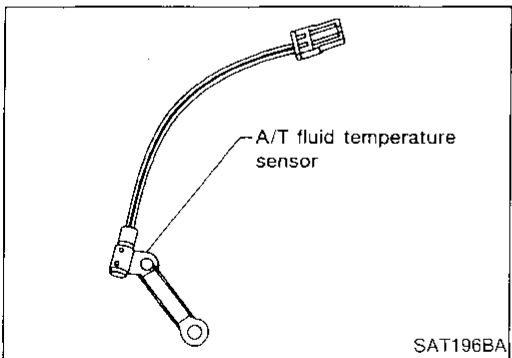
Line pressure solenoid valve

- Check that filter is not clogged or damaged.
- Measure resistance. Refer to "Component Inspection", AT-79.



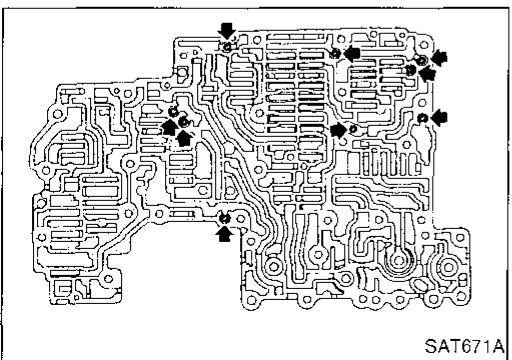
3-unit solenoid assembly (Overrun clutch solenoid valve and shift solenoid valves A and B)

- Measure resistance of each solenoid. Refer to "Component Inspection", AT-79.



A/T fluid temperature sensor

- Measure resistance. Refer to "Component Inspection", AT-63.

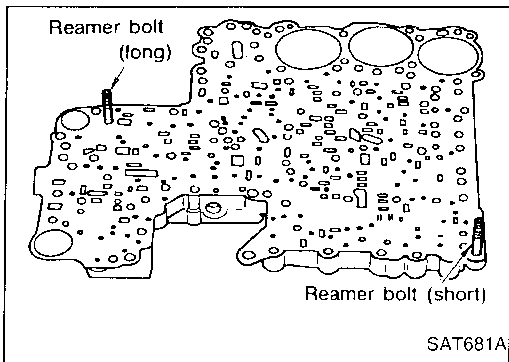


ASSEMBLY

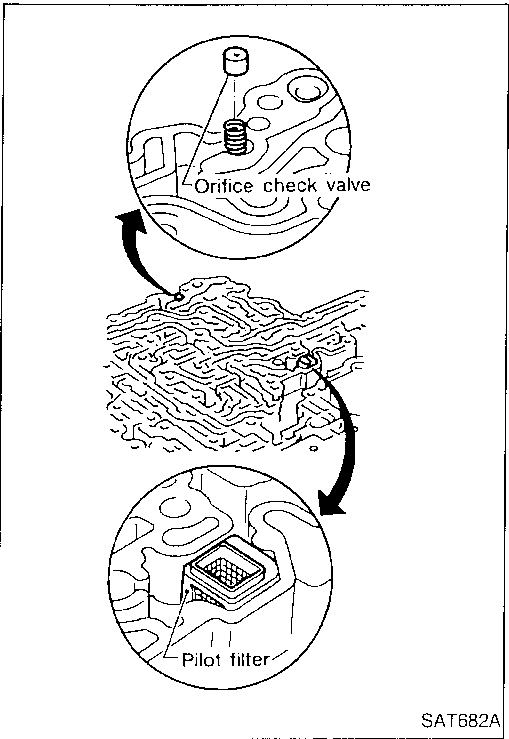
1. Install upper and lower bodies.
 - a. Place oil circuit of upper body face up. Install steel balls in their proper positions.

REPAIR FOR COMPONENT PARTS

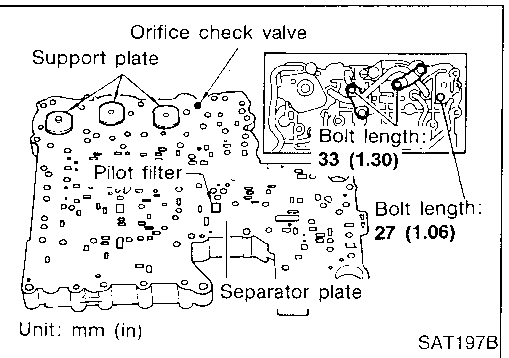
Control Valve Assembly (Cont'd)



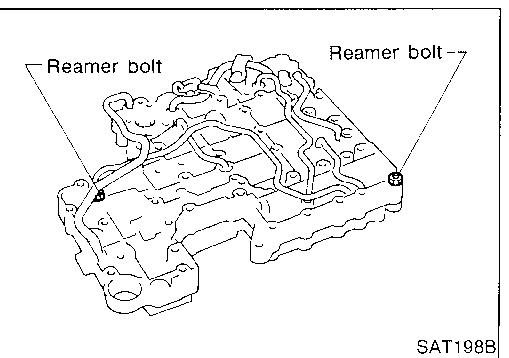
- b. Install reamer bolts from bottom of upper body and install separate gaskets.



- c. Place oil circuit of lower body face up. Install orifice check spring, orifice check valve and pilot filter.



- d. Install lower separate gaskets and separator plates on lower body.
- e. Install and temporarily tighten support plates, fluid temperature sensor and tube brackets.



- f. Temporarily assemble lower and upper bodies, using reamer bolt as a guide.

- Be careful not to dislocate or drop steel balls, orifice check spring, orifice check valve and pilot filter.

GI

MA

EM

LC

EC

EE

CL

MT

AT

TF

FD

FA

RA

BR

ST

RS

BT

HA

EL

DX

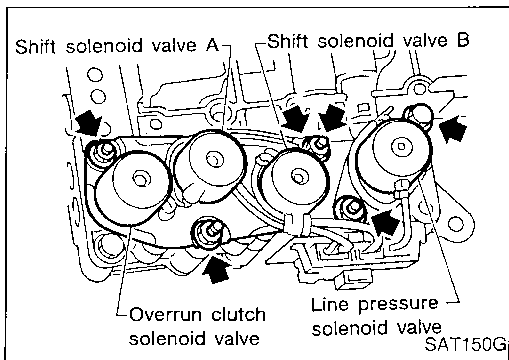
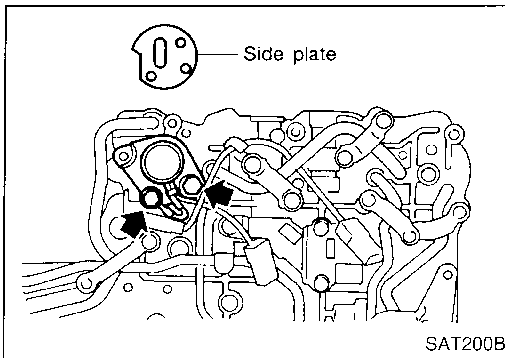
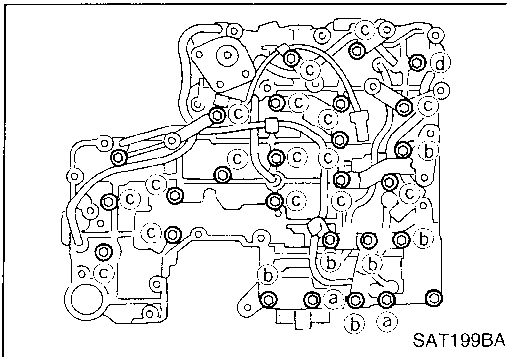
REPAIR FOR COMPONENT PARTS

Control Valve Assembly (Cont'd)

- g. Install and temporarily tighten bolts and tube brackets in their proper locations.

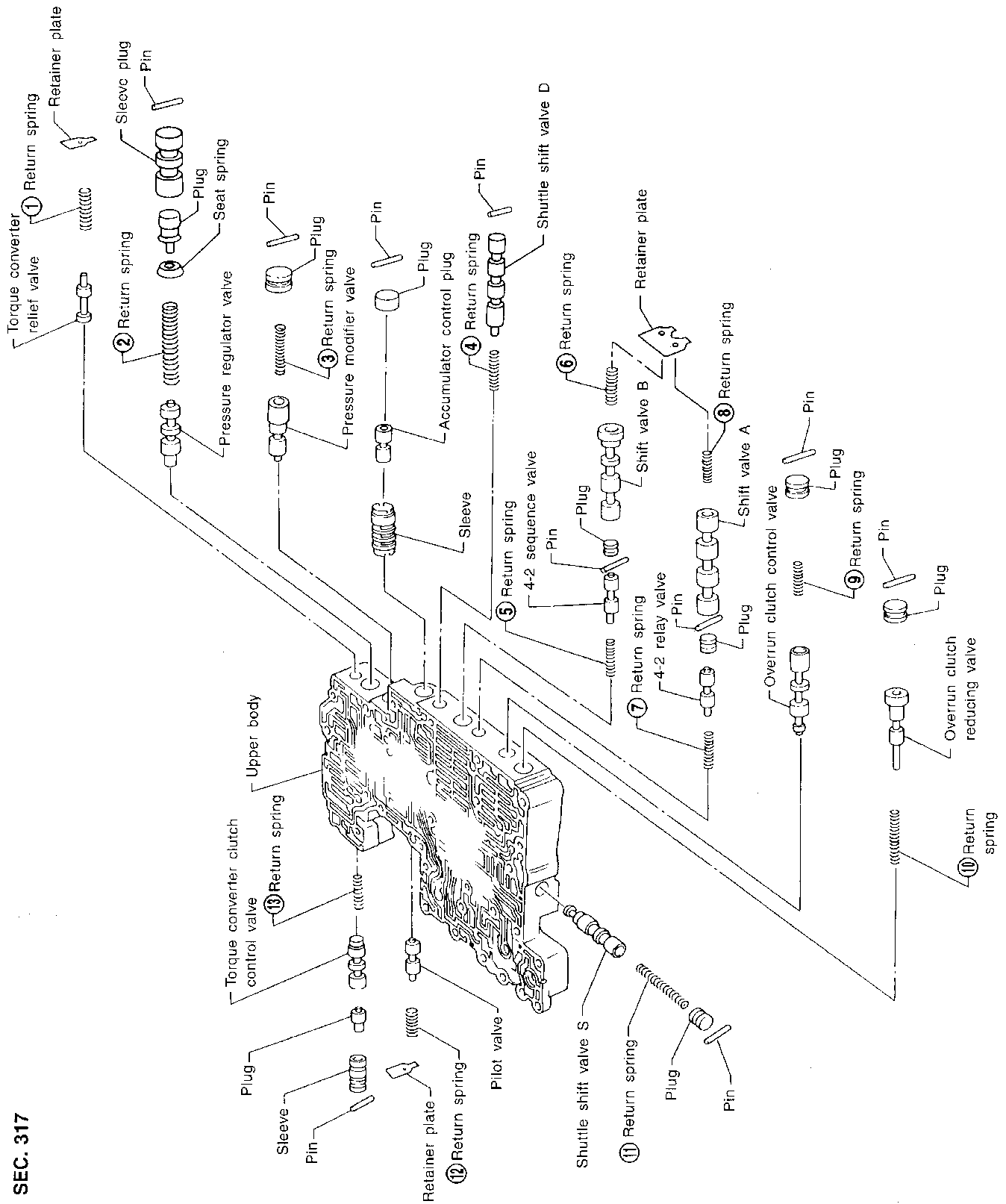
Bolt length and location:

Bolt symbol	a	b	c	d
Bolt length	70 (2.76)	50 (1.97)	33 (1.30)	27 (1.06)



2. Install solenoids.
 - a. Attach O-ring and install torque converter clutch solenoid valve and side plates onto lower body.
 - b. Attach O-rings and install 3-unit solenoids assembly onto upper body.
 - c. Attach O-ring and install line pressure solenoid valve onto upper body.
3. Tighten all bolts.

Control Valve Upper Body



SEC. 317

Apply ATF to all components before their installation.

Numbers preceding valve springs correspond with those shown in SDS on page AT-215.

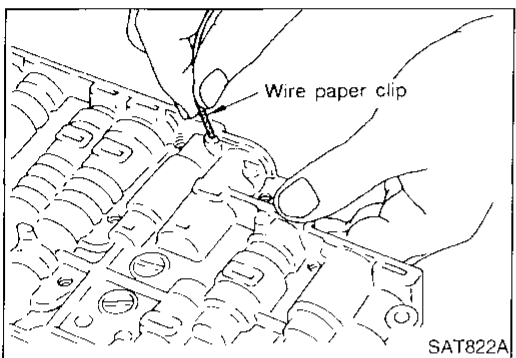
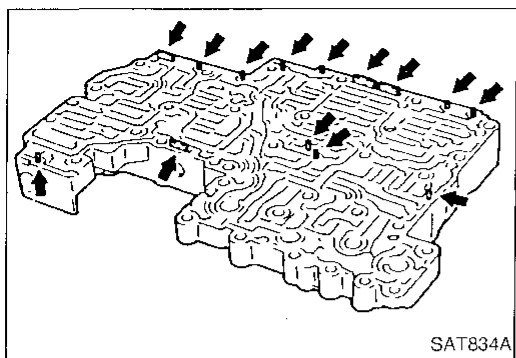
- GI
- MA
- EM
- EC
- EC
- FE
- CL
- MT
- AT**
- TF
- PD
- FA
- BA
- BR
- ST
- FS
- BT
- HA
- EL
- DX

REPAIR FOR COMPONENT PARTS

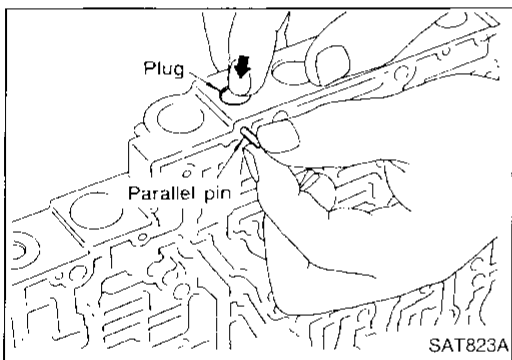
Control Valve Upper Body (Cont'd)

DISASSEMBLY

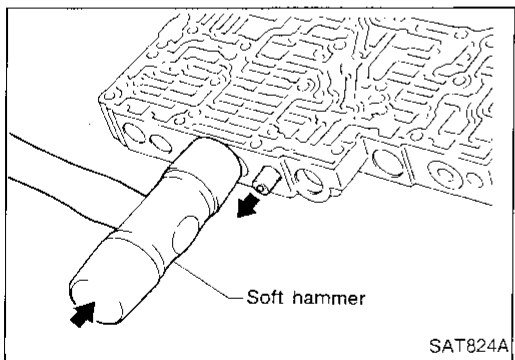
1. Remove valves at parallel pins.
 - Do not use a magnetic hand.



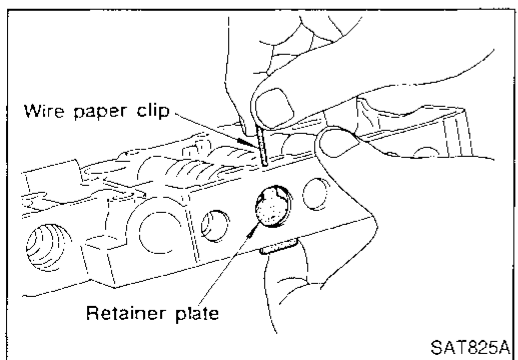
- a. Use a wire paper clip to push out parallel pins.



- b. Remove parallel pins while pressing their corresponding plugs and sleeves.
 - Remove plug slowly to prevent internal parts from jumping out.



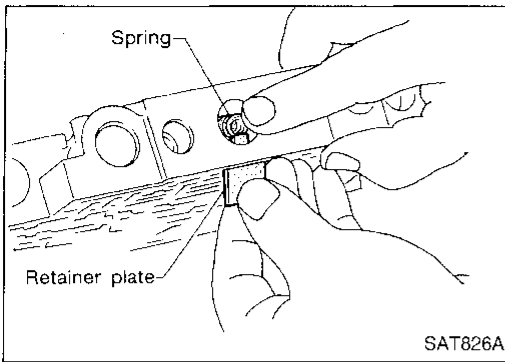
- c. Place mating surface of valve facedown, and remove internal parts.
 - If a valve is hard to remove, place valve body facedown and lightly tap it with a soft hammer.
 - Be careful not to drop or damage valves and sleeves.



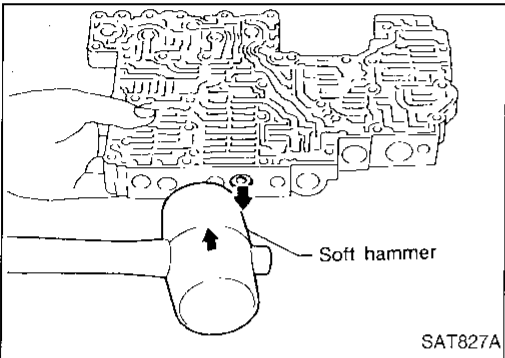
2. Remove valves at retainer plates.
 - a. Pry out retainer plate with wire paper clip.

REPAIR FOR COMPONENT PARTS

Control Valve Upper Body (Cont'd)

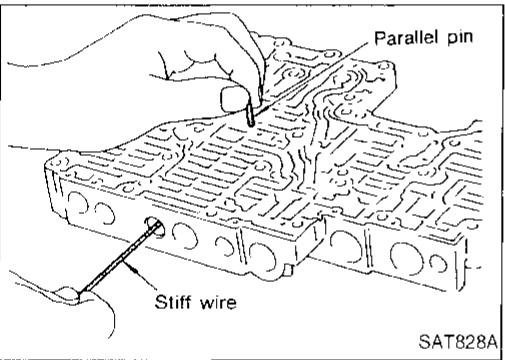


b. Remove retainer plates while holding spring.



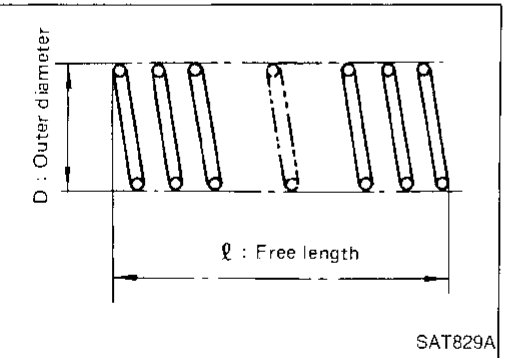
c. Place mating surface of valve facedown, and remove internal parts.

- If a valve is hard to remove, lightly tap valve body with a soft hammer.
- Be careful not to drop or damage valves, sleeves, etc.



● 4-2 sequence valve and relay valve are located far back in upper body. If they are hard to remove, carefully push them out using stiff wire.

- Be careful not to scratch sliding surface of valve with wire.



INSPECTION

Valve springs

- Measure free length and outer diameter of each valve spring. Also check for damage or deformation.

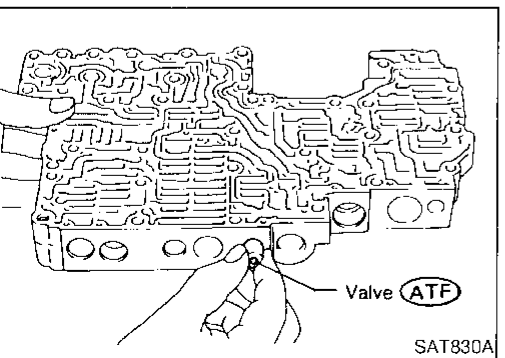
Inspection standard:

Refer to SDS, AT-215.

- Replace valve springs if deformed or fatigued.

Control valves

- Check sliding surfaces of valves, sleeves and plugs.



ASSEMBLY

1. Lubricate the control valve body and all valves with ATF. Install control valves by sliding them carefully into their bores.

- Be careful not to scratch or damage valve body.

GI

MA

EM

LC

EC

FE

CL

MF

AT

TF

PD

FA

RA

BR

ST

RS

BT

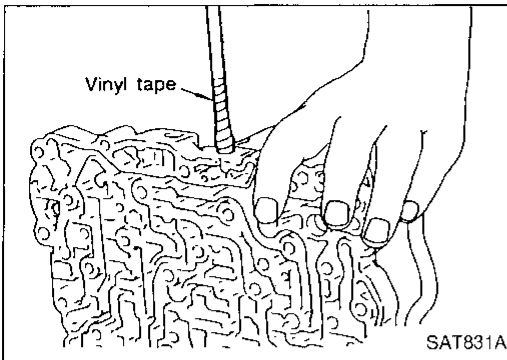
HA

EL

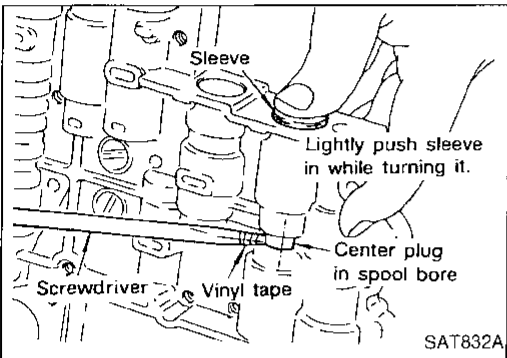
IDX

REPAIR FOR COMPONENT PARTS

Control Valve Upper Body (Cont'd)

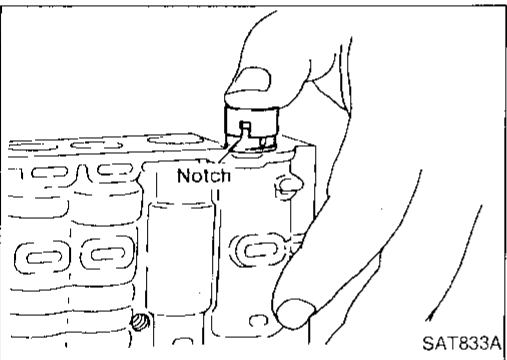


- Wrap a small screwdriver with vinyl tape and use it to insert the valves into proper position.



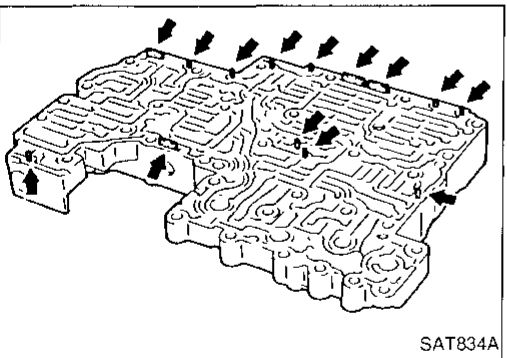
Pressure regulator valve

- If pressure regulator plug is not centered properly, sleeve cannot be inserted into bore in upper body. If this happens, use vinyl tape wrapped screwdriver to center sleeve until it can be inserted.
- Turn sleeve slightly while installing.

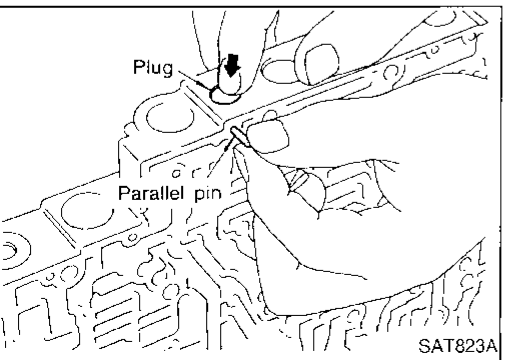


Accumulator control plug

- Align protrusion of accumulator control sleeve with notch in plug.
- Align parallel pin groove in plug with parallel pin, and install accumulator control valve.



2. Install parallel pins and retainer plates.



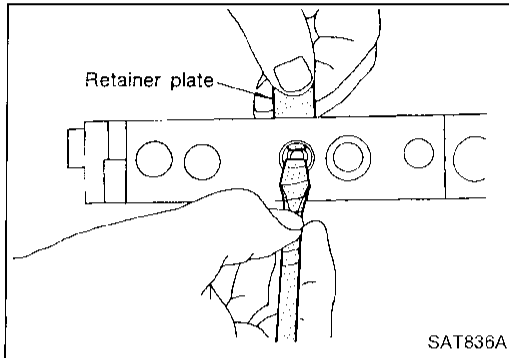
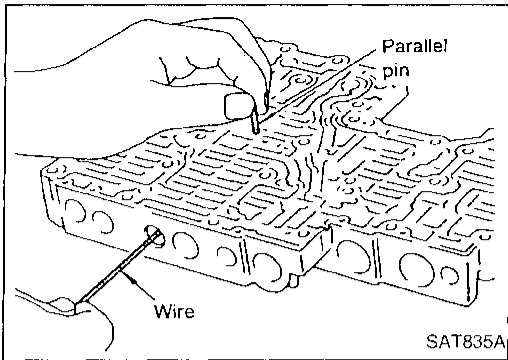
- While pushing plug, install parallel pin.

REPAIR FOR COMPONENT PARTS

Control Valve Upper Body (Cont'd)

4-2 sequence valve and relay valve

- Push 4-2 sequence valve and relay valve with wire wrapped in vinyl tape to prevent scratching valve body. Install parallel pins.



- Insert retainer plate while pushing spring.

GI

MA

EM

LC

EC

FE

GL

MT

AT

TF

FD

FA

RA

BR

ST

RS

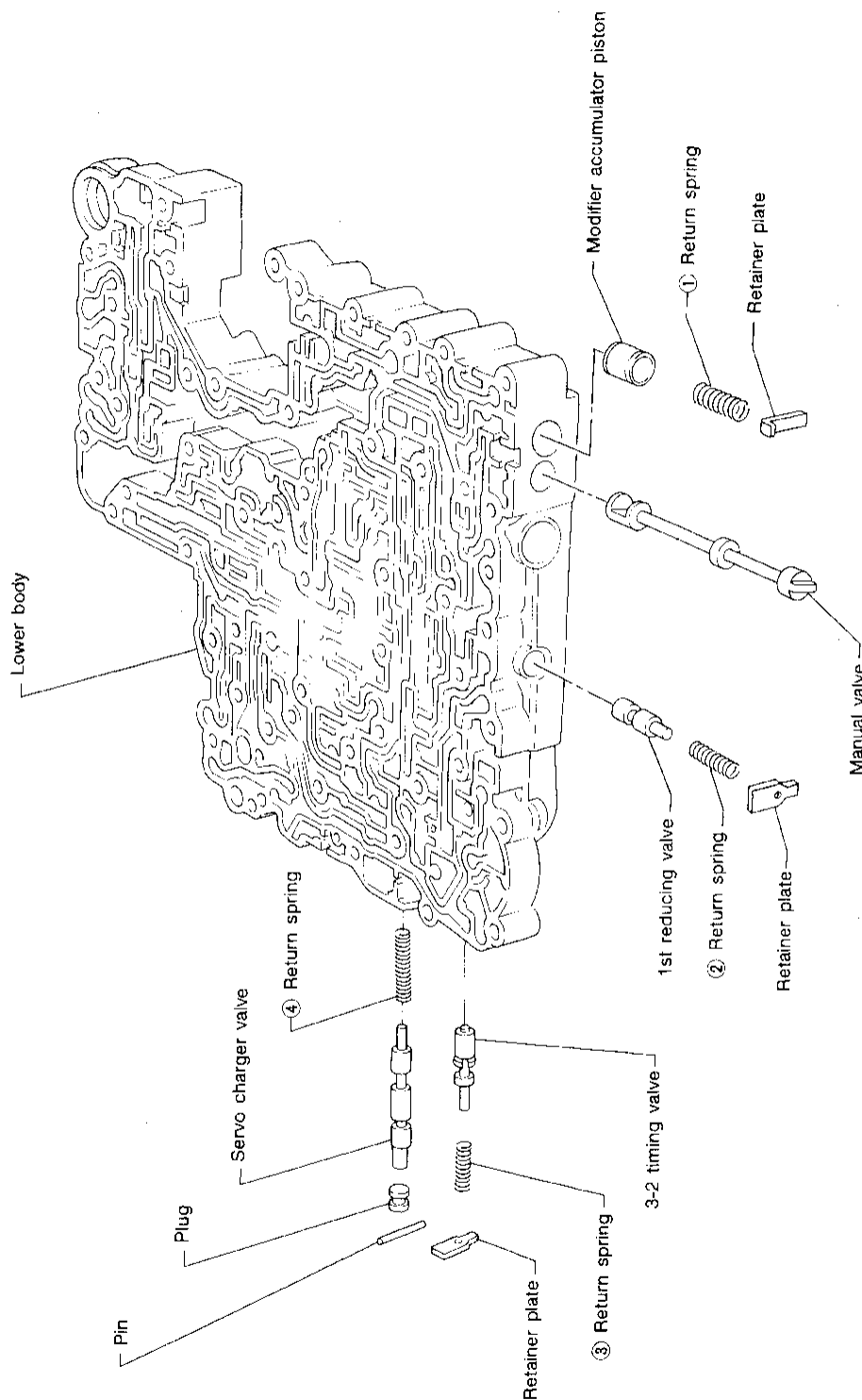
BT

HA

EL

IX

Control Valve Lower Body



SEC. 317

Apply ATF to all components before their installation.

Numbers preceding valve springs correspond with those shown in SDS on page AT-215.

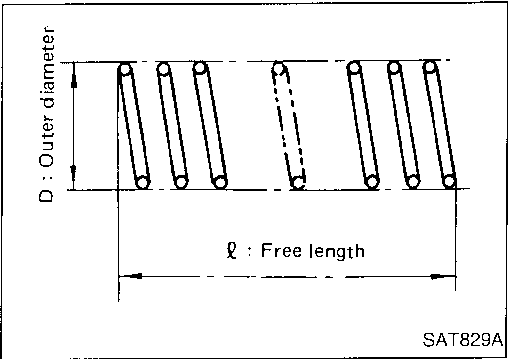
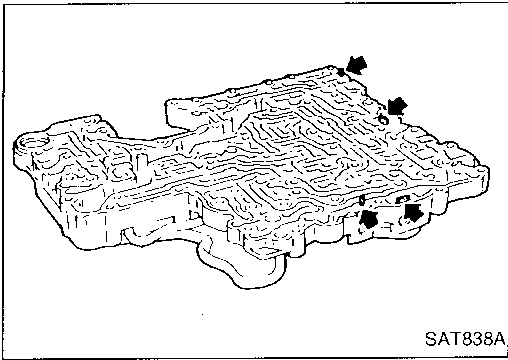
REPAIR FOR COMPONENT PARTS

Control Valve Lower Body (Cont'd)

DISASSEMBLY

1. Remove valves at parallel pins.
2. Remove valves at retainer plates.

For removal procedures, refer to "DISASSEMBLY" of Control Valve Upper Body.



INSPECTION

Valve springs

- Check each valve spring for damage or deformation. Also measure free length and outer diameter.

Inspection standard:

Refer to SDS, AT-215.

- Replace valve springs if deformed or fatigued.

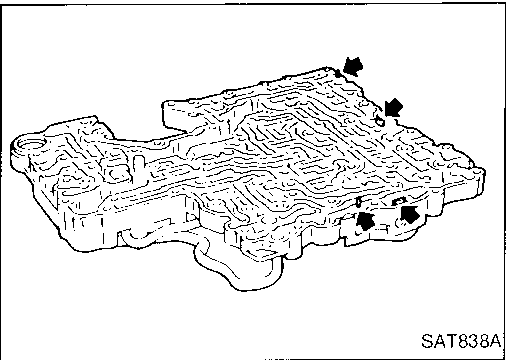
Control valves

- Check sliding surfaces of control valves, sleeves and plugs for damage.

ASSEMBLY

- Install control valves.

For installation procedures, refer to "ASSEMBLY" of Control Valve Upper Body, AT-165.



GI

MA

EM

LC

EC

FE

CL

MT

AT

TF

PD

FA

RA

BR

ST

RS

BT

HA

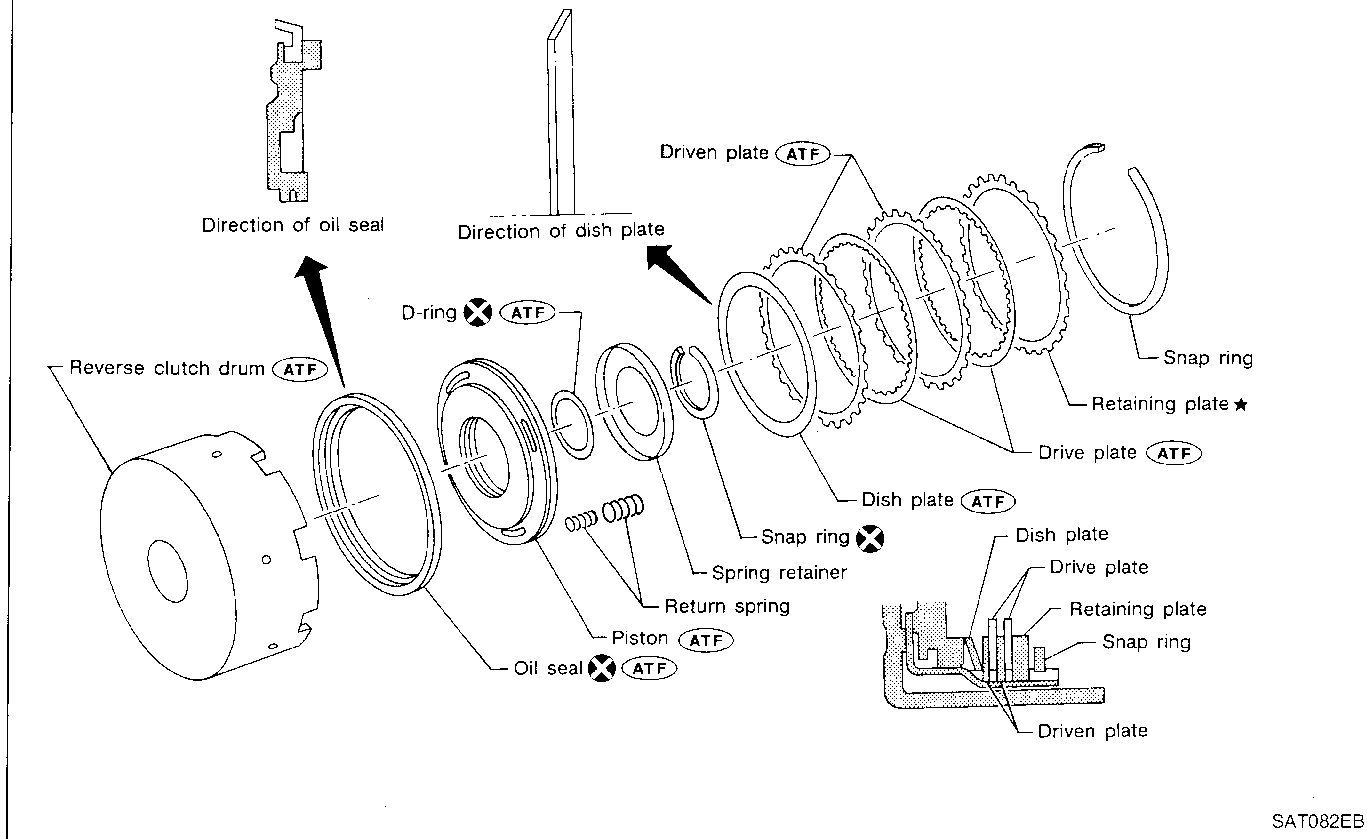
EL

DX

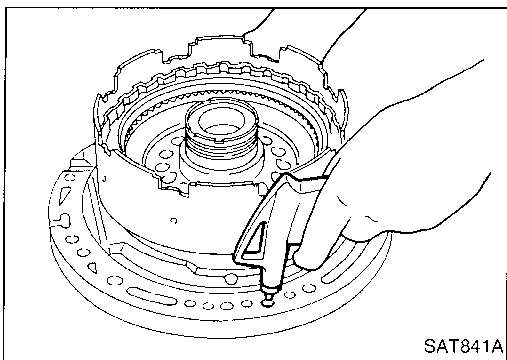
Reverse Clutch

SEC. 315

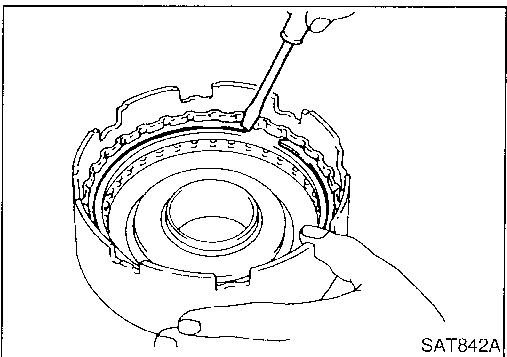
(ATF) : Apply ATF.
★ : Select with proper thickness.



SAT082EB



SAT841A



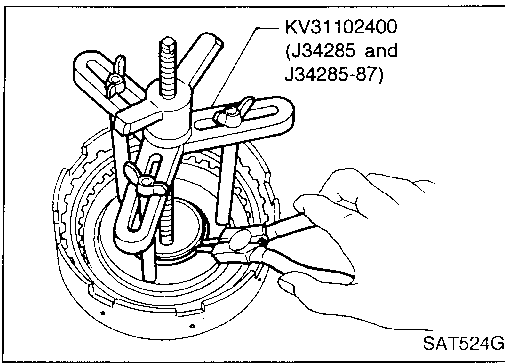
SAT842A

DISASSEMBLY

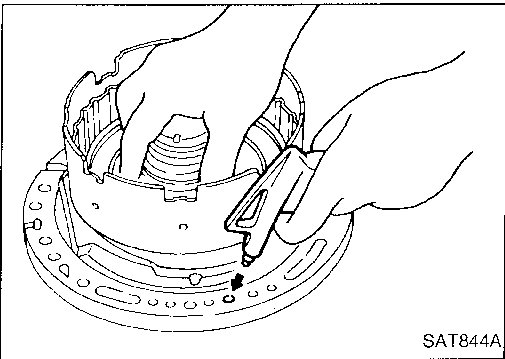
1. Check operation of reverse clutch.
 - a. Install seal ring onto oil pump cover and install reverse clutch. Apply compressed air to oil hole.
 - b. Check to see that retaining plate moves to snap ring.
 - c. If retaining plate does not contact snap ring,
 - D-ring might be damaged.
 - Oil seal might be damaged.
 - Fluid might be leaking past piston check ball.
2. Remove drive plates, driven plates, retaining plate, dish plate and snap ring.

REPAIR FOR COMPONENT PARTS

Reverse Clutch (Cont'd)



3. Remove snap ring from clutch drum while compressing clutch springs.
 - **Do not expand snap ring excessively.**
4. Remove spring retainer and return spring.



5. Install seal ring onto oil pump cover and install reverse clutch drum. While holding piston, gradually apply compressed air to oil hole until piston is removed.
 - **Do not apply compressed air abruptly.**
6. Remove D-ring and oil seal from piston.

INSPECTION

Reverse clutch snap ring and spring retainer

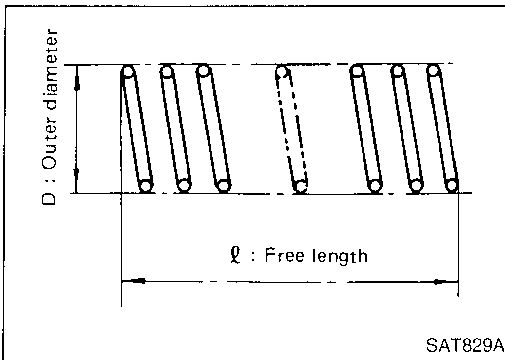
- Check for deformation, fatigue or damage.

Reverse clutch return springs

- Check for deformation or damage. Also measure free length and outside diameter.

Inspection standard:

Refer to SDS, AT-215.



Reverse clutch drive plates

- Check facing for burns, cracks or damage.
- Measure thickness of facing.

Thickness of drive plate:

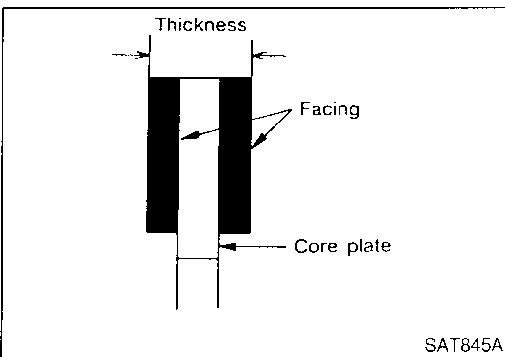
Standard value: 1.90 - 2.05 mm (0.0748 - 0.0807 in)

Wear limit: 1.80 mm (0.0709 in)

- If not within wear limit, replace.

Reverse clutch dish plate

- Check for deformation or damage.

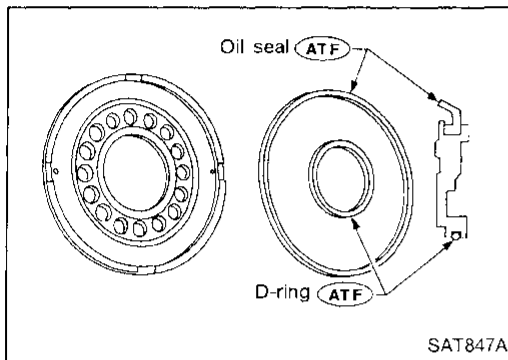
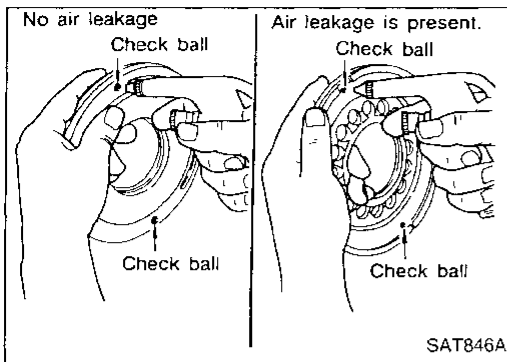


REPAIR FOR COMPONENT PARTS

Reverse Clutch (Cont'd)

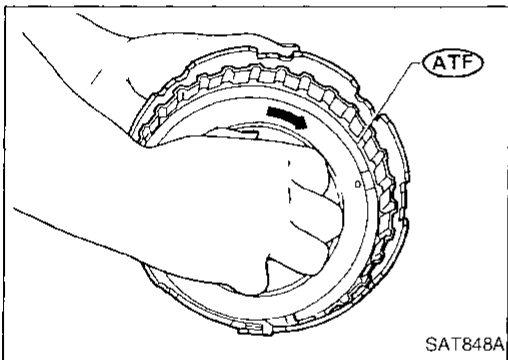
Reverse clutch piston

- Shake piston to assure that balls are not seized.
- Apply compressed air to check ball oil hole opposite the return spring. Make sure there is no air leakage.
- Also apply compressed air to oil hole on return spring side to assure that air leaks past ball.

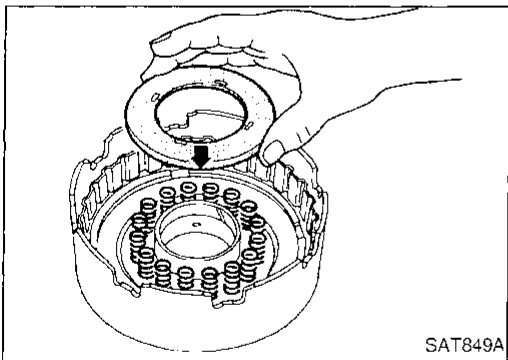


ASSEMBLY

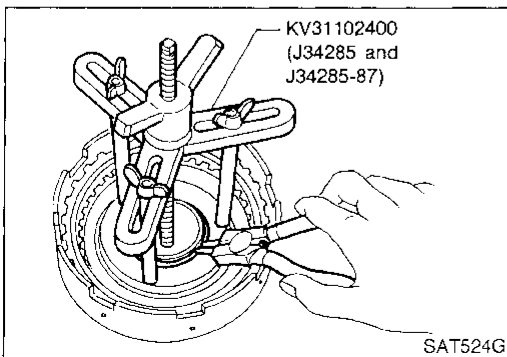
1. Install D-ring and oil seal on piston.
 - Apply ATF to both parts.



2. Install piston assembly by turning it slowly and evenly.
 - Apply ATF to inner surface of drum.



3. Install return springs and spring retainer.

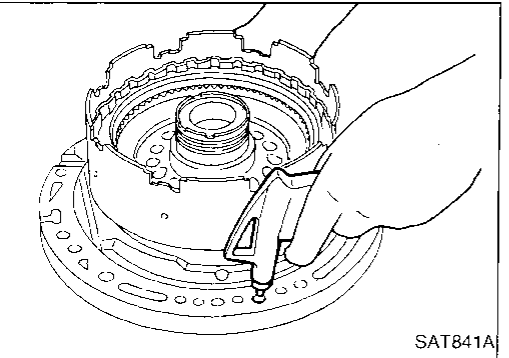
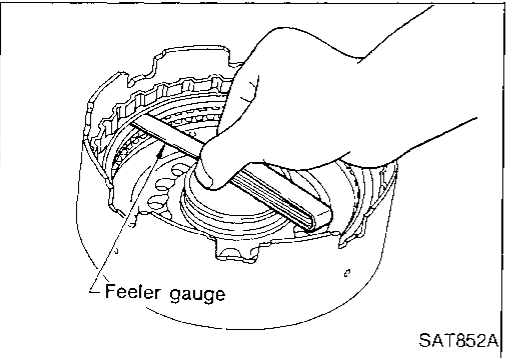
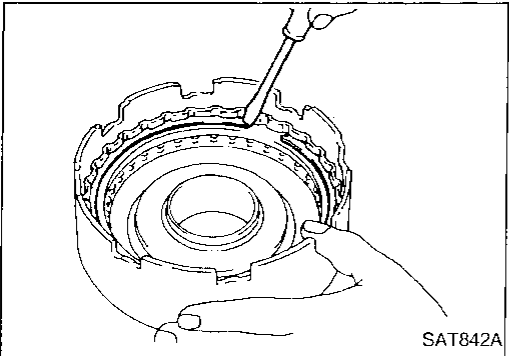
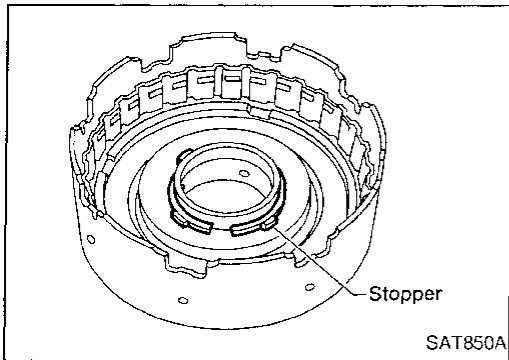


4. Install snap ring while compressing clutch springs.

REPAIR FOR COMPONENT PARTS

Reverse Clutch (Cont'd)

- Do not align snap ring gap with spring retainer stopper.



5. Install drive plates, driven plates, retaining plate and dish plate.
6. Install snap ring.

7. Measure clearance between retaining plate and snap ring. If not within allowable limit, select proper retaining plate.

Specified clearance:

Standard

0.5 - 0.8 mm (0.020 - 0.031 in)

Allowable limit

1.2 mm (0.047 in)

Retaining plate:

Refer to SDS, AT-216.

8. Check operation of reverse clutch.
Refer to "DISASSEMBLY" of Reverse Clutch, AT-170.

GI

MA

EM

LC

EC

FE

CL

MT

AT

TF

PD

FA

RA

BR

ST

RS

BT

HA

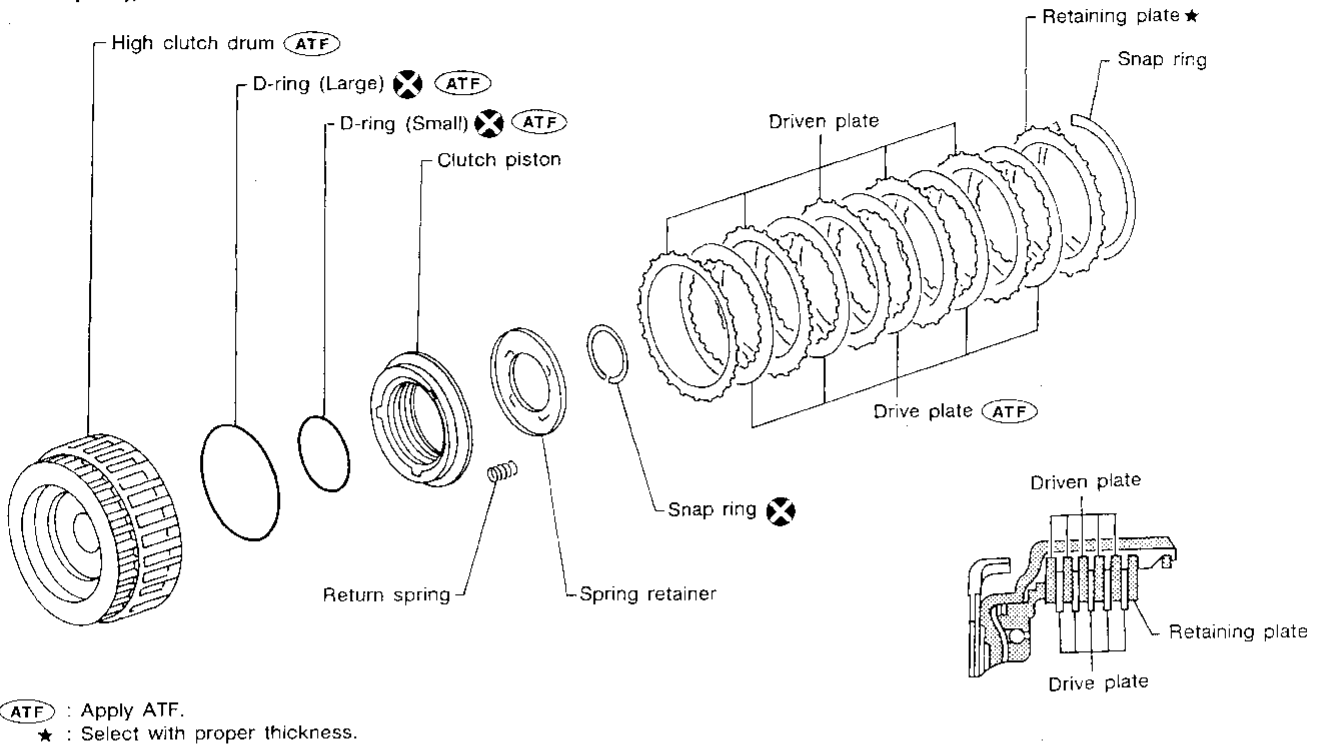
EL

IDX

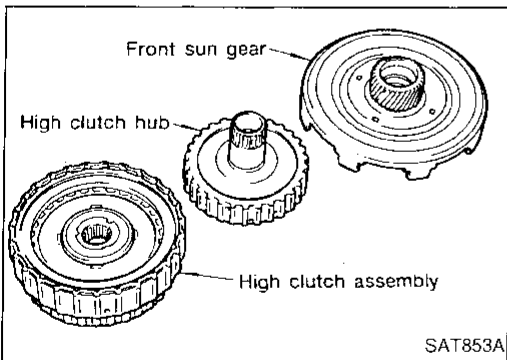
High Clutch

SEC. 315

For the number of clutch sheets (drive plate and driven plate), refer to the below cross-section.



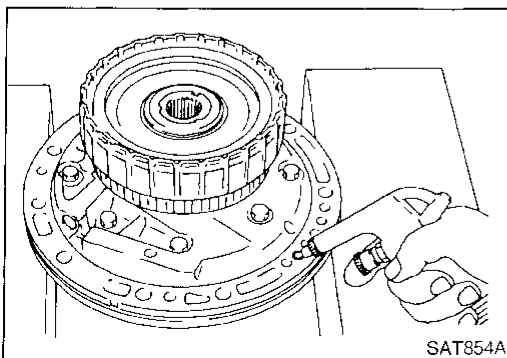
SAT576HB



DISASSEMBLY AND ASSEMBLY

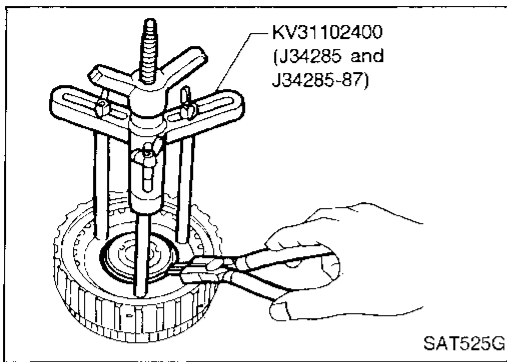
Service procedures for high clutch are essentially the same as those for reverse clutch, with the following exception:

- Check of high clutch operation

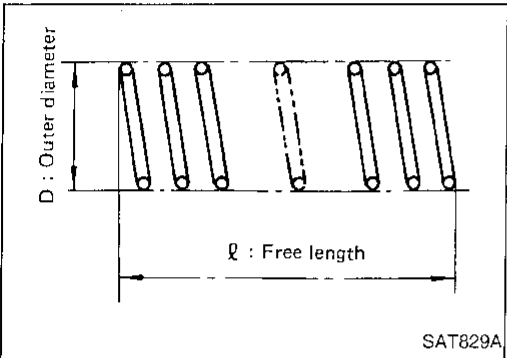


REPAIR FOR COMPONENT PARTS

High Clutch (Cont'd)



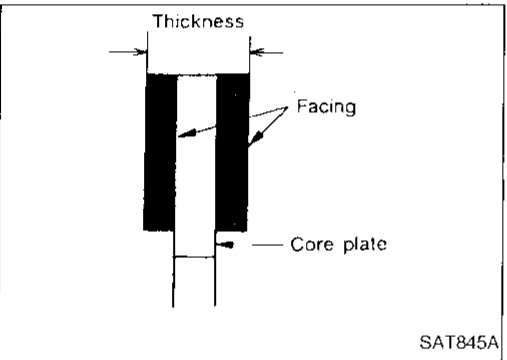
- Removal and installation of return spring



- Inspection of high clutch return springs

Inspection standard:

Refer to SDS, AT-215.



- Inspection of high clutch drive plate

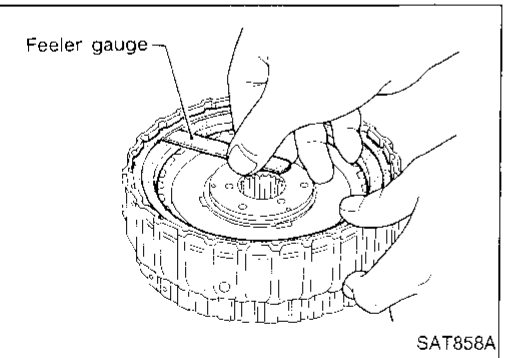
Thickness of drive plate:

Standard

1.52 - 1.67 mm (0.0598 - 0.0657 in)

Wear limit

1.40 mm (0.0551 in)



- Measurement of clearance between retaining plate and snap ring

Specified clearance:

Standard

1.8 - 2.2 mm (0.071 - 0.087 in)

Allowable limit

2.8 mm (0.110 in)

Retaining plate:

Refer to SDS, AT-216.

GI

MA

EM

LC

EC

FE

CL

MT

AT

TF

PD

FA

RA

BR

ST

RS

BT

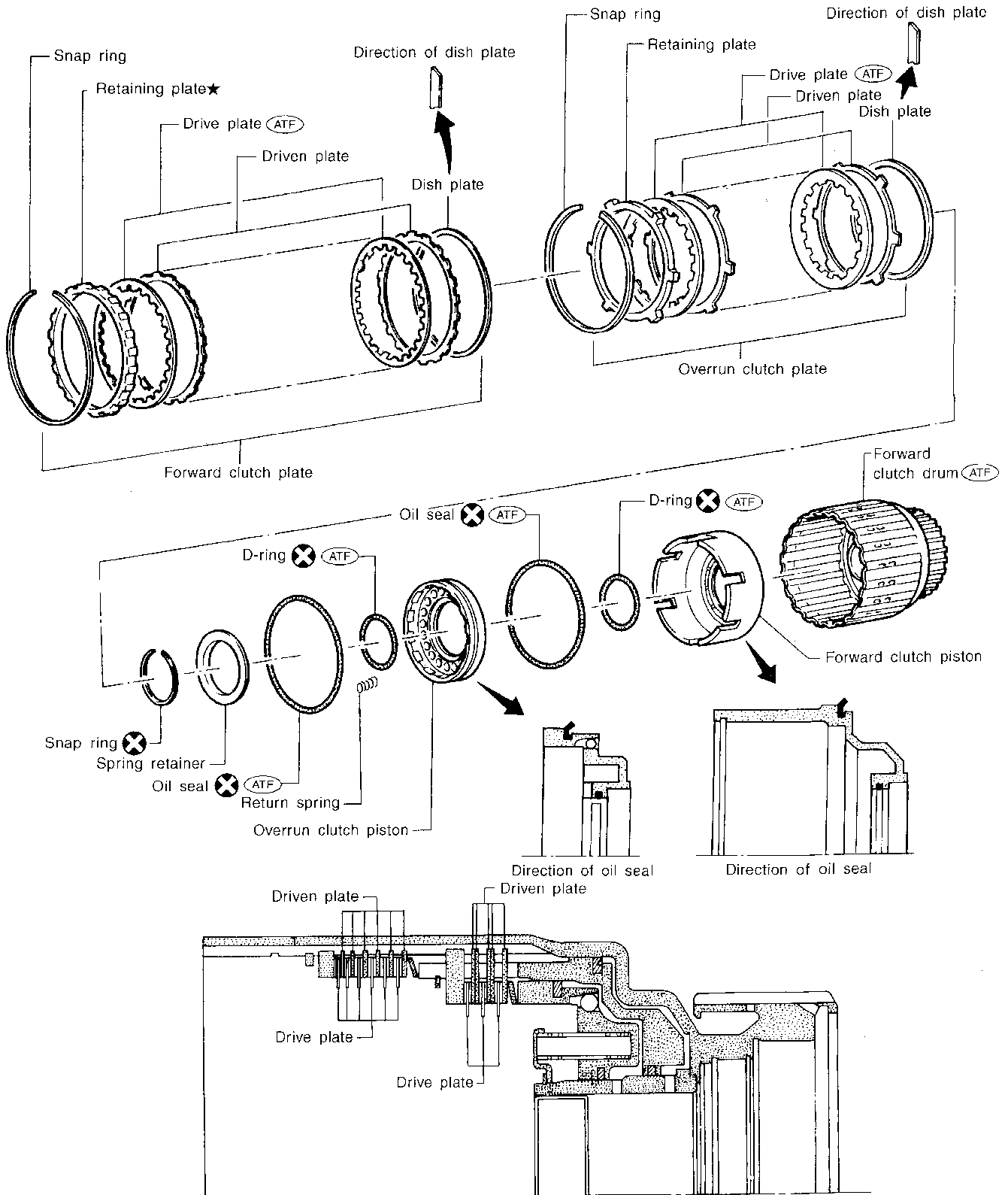
HA

EL

DX

Forward and Overrun Clutches

SEC. 315



(ATF) : Apply ATF.

★ : Select with proper thickness.

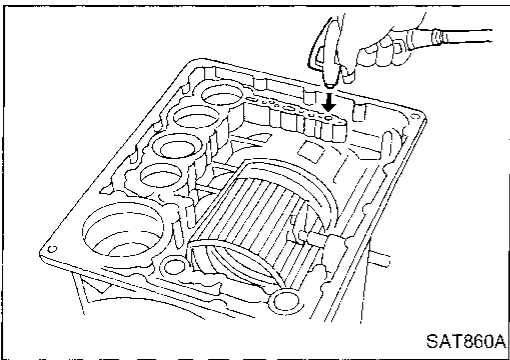
REPAIR FOR COMPONENT PARTS

Forward and Overrun Clutches (Cont'd)

DISASSEMBLY AND ASSEMBLY

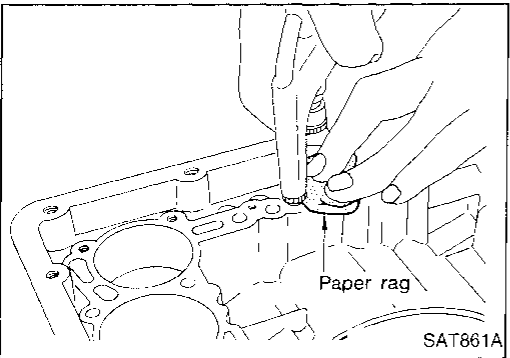
Forward and overrun clutches are serviced essentially the same way as reverse clutch is serviced. However, note the following exceptions.

- Check of forward clutch operation.



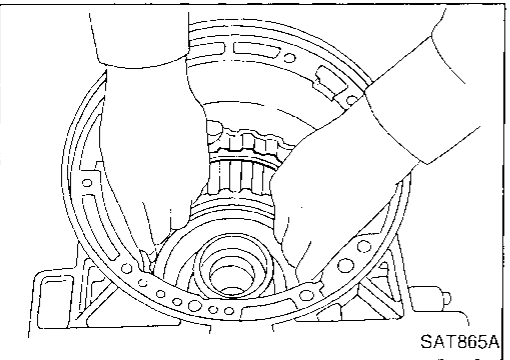
SAT860A

- Check of overrun clutch operation.



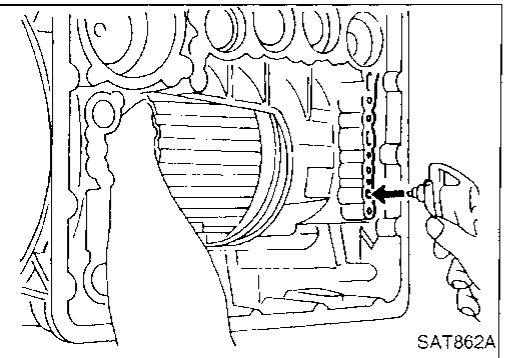
SAT861A

- Removal of forward clutch drum
Remove forward clutch drum from transmission case by holding snap ring.



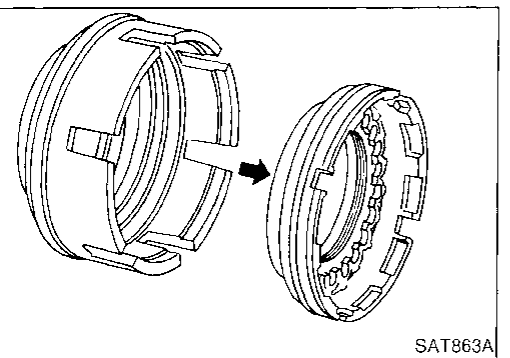
SAT865A

- Removal of forward clutch and overrun clutch pistons
1. While holding overrun clutch piston, gradually apply compressed air to oil hole.



SAT862A

2. Remove overrun clutch from forward clutch.



SAT863A

GI

MA

EV

LC

EC

FE

CL

MT

AT

TF

PD

FA

RA

BR

ST

RS

BT

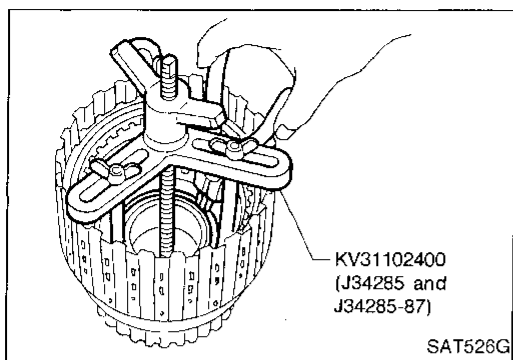
HA

EL

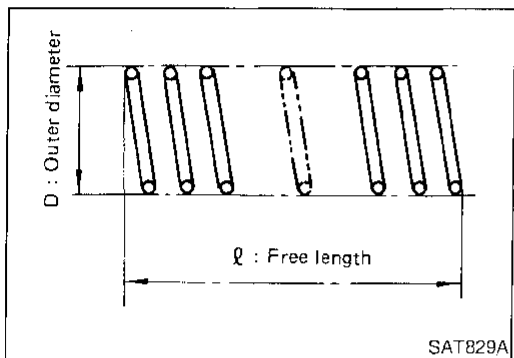
DX

REPAIR FOR COMPONENT PARTS

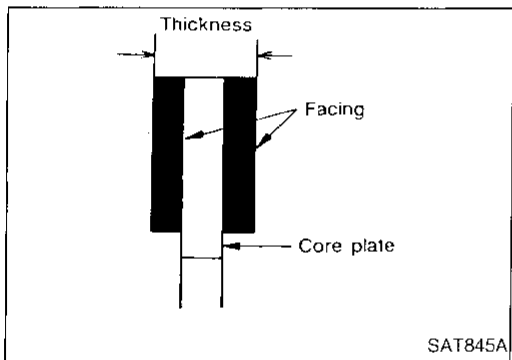
Forward and Overrun Clutches (Cont'd)



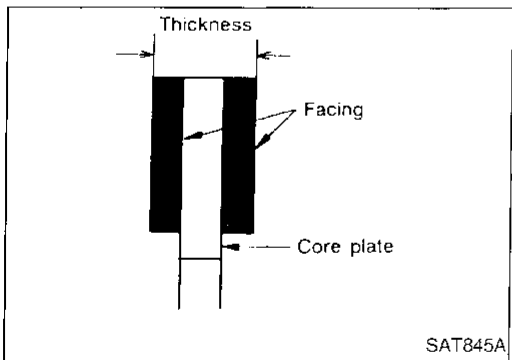
- Removal and installation of return springs



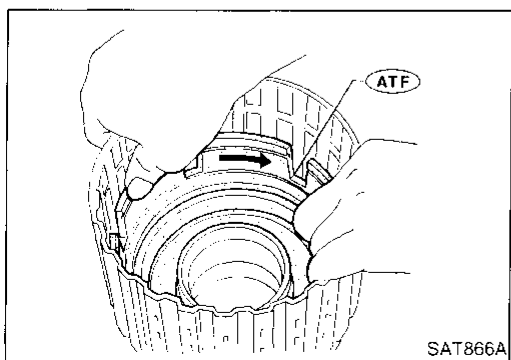
- Inspection of forward clutch and overrun clutch return springs
Inspection standard:
Refer to SDS, AT-215.



- Inspection of forward clutch drive plates
Thickness of drive plate:
Standard
1.52 - 1.67 mm (0.0598 - 0.0657 in)
Wear limit
1.40 mm (0.0551 in)



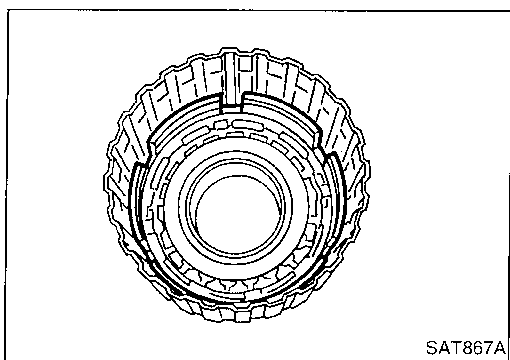
- Inspection of overrun clutch drive plates
Thickness of drive plate:
Standard
1.90 - 2.05 mm (0.0748 - 0.0807 in)
Wear limit
1.80 mm (0.0709 in)



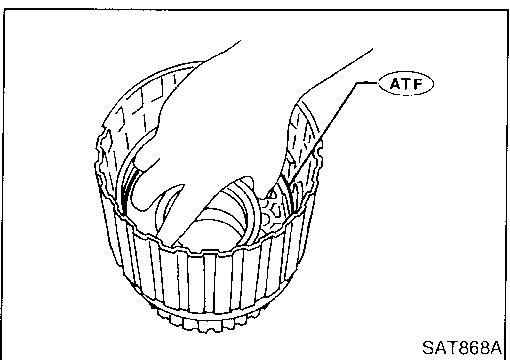
- Installation of forward clutch piston and overrun clutch piston
1. Install forward clutch piston by turning it slowly and evenly.
- **Apply ATF to inner surface of clutch drum.**

REPAIR FOR COMPONENT PARTS

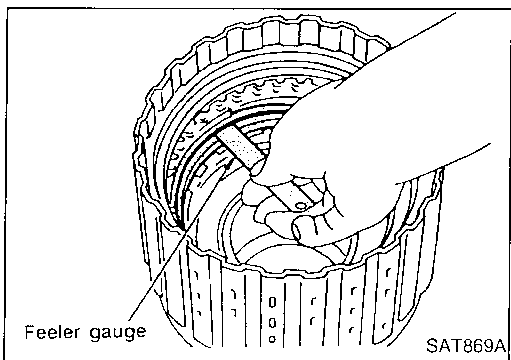
Forward and Overrun Clutches (Cont'd)



- Align notch in forward clutch piston with groove in forward clutch drum.



2. Install overrun clutch by turning it slowly and evenly.
- Apply ATF to inner surface of forward clutch piston.



- Measurement of clearance between retaining plate and snap ring of overrun clutch

Specified clearance:

Standard

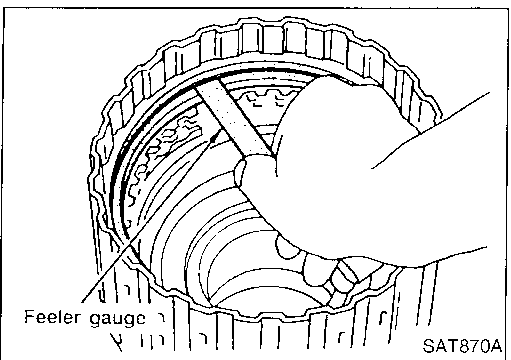
1.0 - 1.4 mm (0.039 - 0.055 in)

Allowable limit

2.0 mm (0.079 in)

Retaining plate:

Refer to SDS, AT-216.



- Measurement of clearance between retaining plate and snap ring of forward clutch

Specified clearance:

Standard

0.45 - 0.85 mm (0.0177 - 0.0335 in)

Allowable limit

1.85 mm (0.0728 in)

Retaining plate:

Refer to SDS, AT-216.

GI

MA

EM

LC

EC

FE

CL

MT

AT

TF

PD

FA

RA

BR

ST

RS

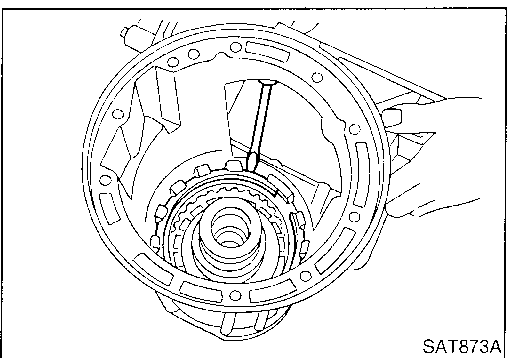
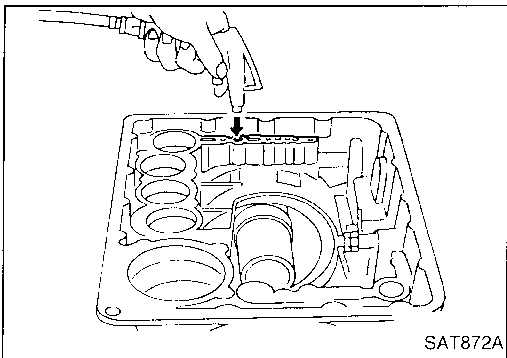
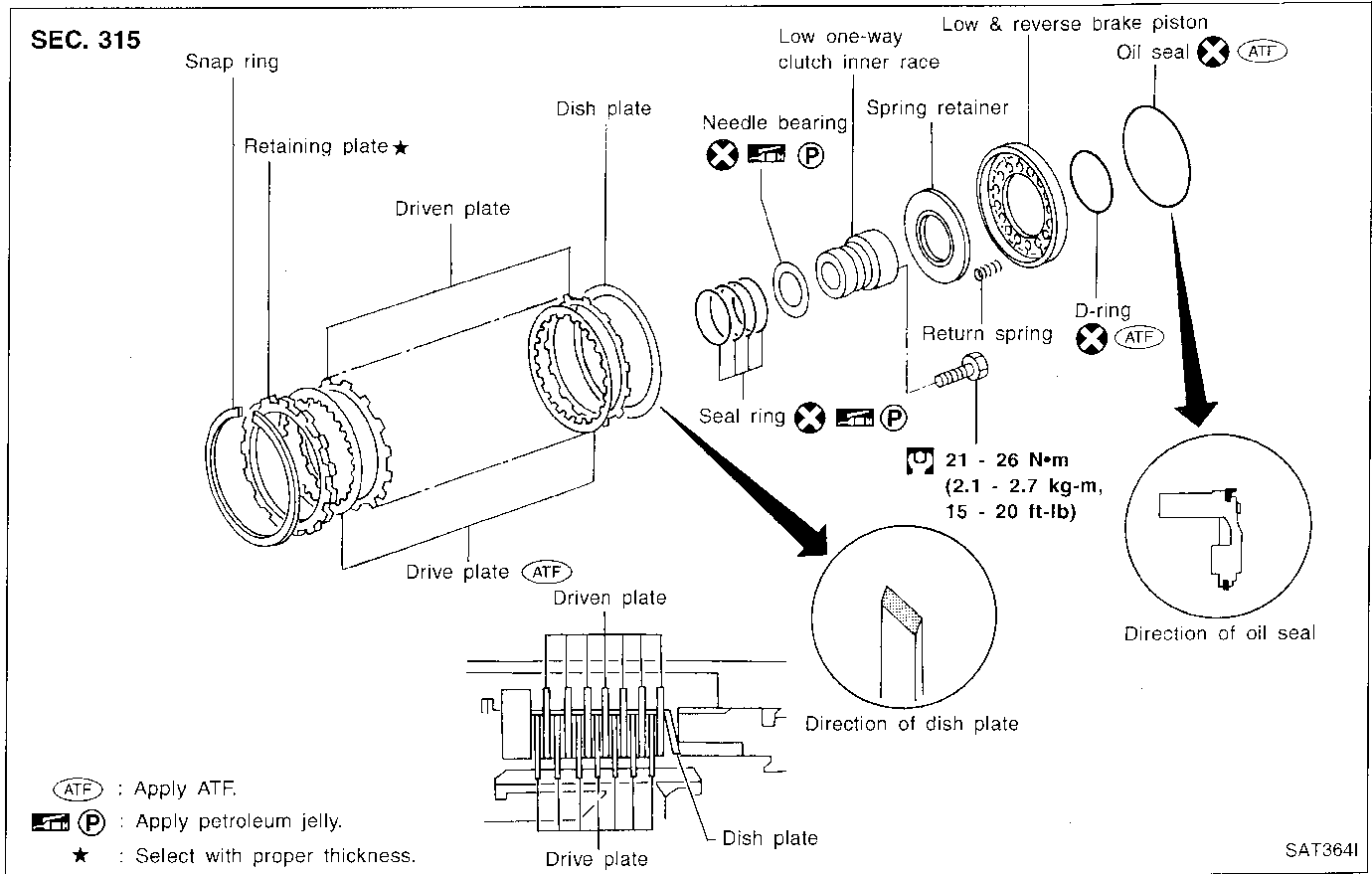
BT

HA

EL

IDX

Low & Reverse Brake

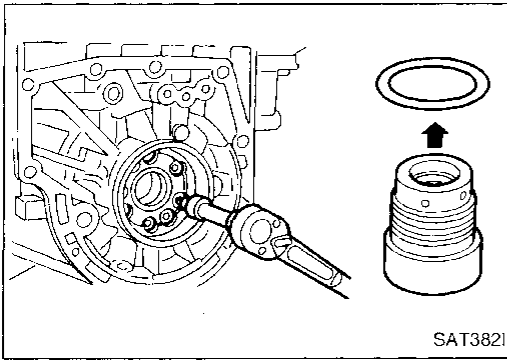


DISASSEMBLY

1. Check operation of low and reverse brake.
 - a. Install seal ring onto oil pump cover and install reverse clutch. Apply compressed air to oil hole.
 - b. Check to see that retaining plate moves to snap ring.
 - c. If retaining plate does not contact snap ring,
 - D-ring might be damaged.
 - Oil seal might be damaged.
 - Fluid might be leaking past piston check ball.
2. Remove snap ring, low and reverse brake drive plates, driven plates and dish plate.

REPAIR FOR COMPONENT PARTS

Low & Reverse Brake (Cont'd)



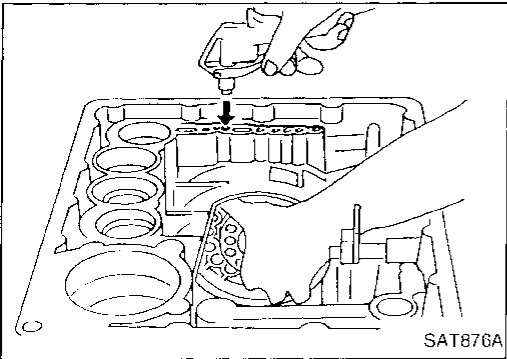
3. Remove low one-way clutch inner race, spring retainer and return spring from transmission case.
4. Remove seal rings from low one-way clutch inner race.
5. Remove needle bearing from low one-way clutch inner race.

GI

MA

EM

LC



6. Remove low and reverse brake piston using compressed air.
7. Remove oil seal and D-ring from piston.

EC

FE

CI

MT

INSPECTION

Low and reverse brake snap ring and spring retainer

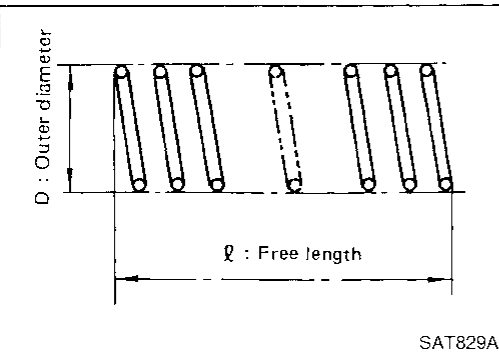
- Check for deformation, or damage.

AT

TF

PD

FA



Low and reverse brake return springs

- Check for deformation or damage. Also measure free length and outside diameter.

Inspection standard:

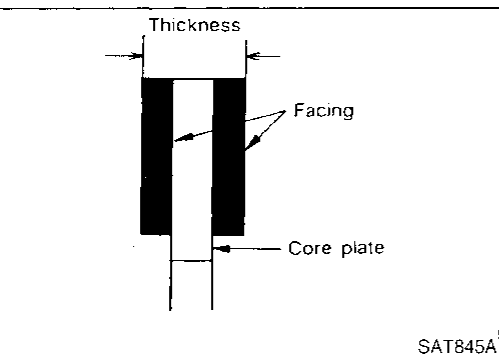
Refer to SDS, AT-215.

RA

ER

ST

RS



Low and reverse brake drive plates

- Check facing for burns, cracks or damage.
- Measure thickness of facing.

Thickness of drive plate:

Standard value

1.90 - 2.05 mm (0.0748 - 0.0807 in)

Wear limit

1.80 mm (0.0709 in)

- If not within wear limit, replace.

ST

FA

EL

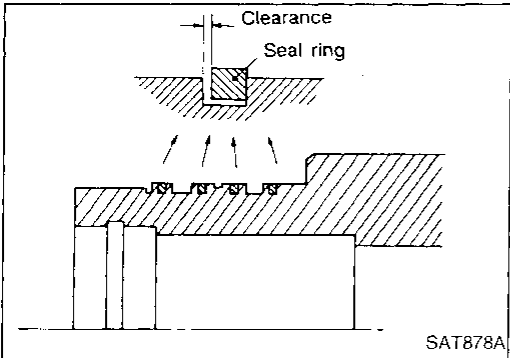
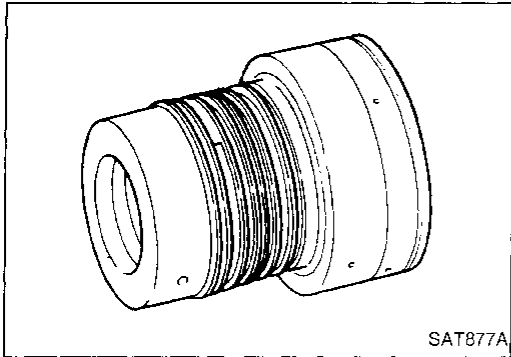
DX

REPAIR FOR COMPONENT PARTS

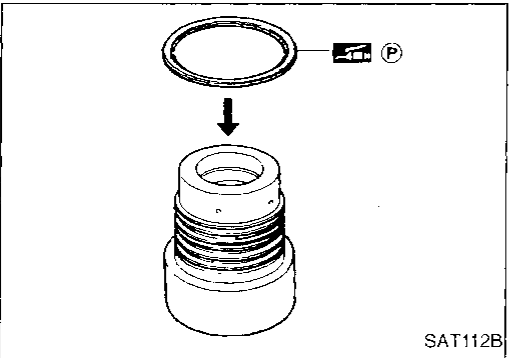
Low & Reverse Brake (Cont'd)

Low one-way clutch inner race

- Check frictional surface of inner race for wear or damage.

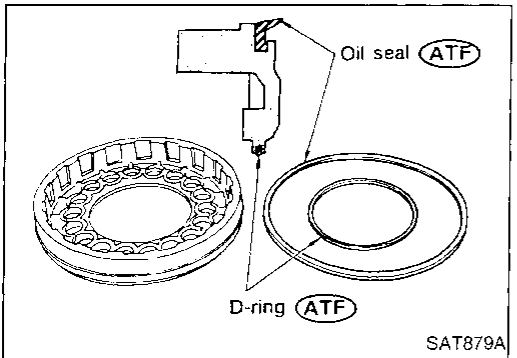


- Install a new seal rings onto low one-way clutch inner race.
- **Be careful not to expand seal ring gap excessively.**
- Measure seal ring-to-groove clearance.
Inspection standard:
Standard value: 0.10 - 0.25 mm (0.0039 - 0.0098 in)
Allowable limit: 0.25 mm (0.0098 in)
- If not within allowable limit, replace low one-way clutch inner race.

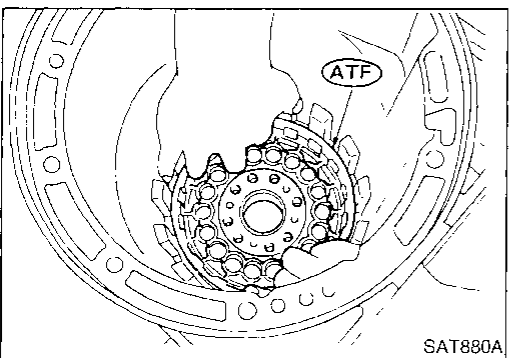


ASSEMBLY

1. Install needle bearing onto one-way clutch inner race.
 - Pay attention to its direction — **Black surface goes to rear side.**
 - Apply petroleum jelly to needle bearing.



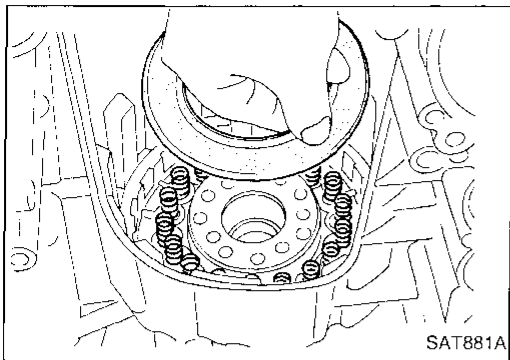
2. Install oil seal and D-ring onto piston.
 - Apply ATF to oil seal and D-ring.



3. Install piston by rotating it slowly and evenly.
 - Apply ATF to inner surface of transmission case.

REPAIR FOR COMPONENT PARTS

Low & Reverse Brake (Cont'd)



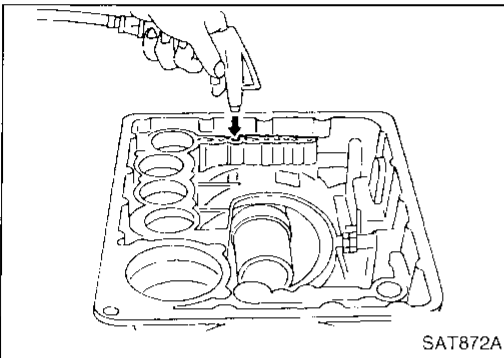
4. Install return springs, spring retainer and low one-way clutch inner race onto transmission case.
5. Install dish plate, low and reverse brake drive plates, driven plates and retaining plate.
6. Install snap ring on transmission case.

GI

MA

EM

LC



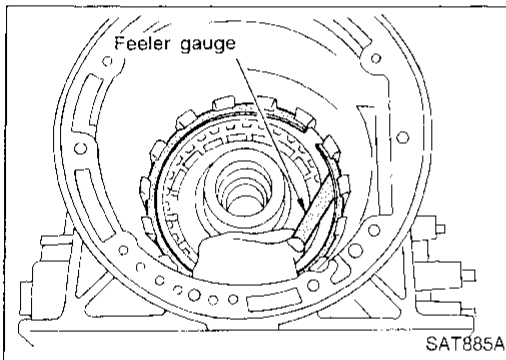
7. Check operation of low and reverse brake clutch piston. Refer to "DISASSEMBLY", AT-180.

EC

FE

CL

MT



8. Measure clearance between retaining plate and snap ring. If not within allowable limit, select proper retaining plate.

Specified clearance:

Standard

0.7 - 1.1 mm (0.028 - 0.043 in)

Allowable limit

2.3 mm (0.091 in)

Retaining plate:

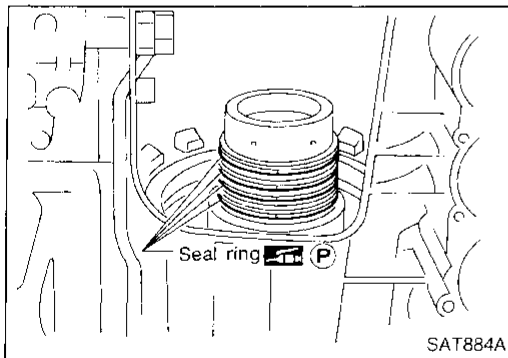
Refer to SDS, AT-216.

AT

TF

PD

FA



9. Install low one-way clutch inner race seal ring.
 - Apply petroleum jelly to seal ring.
 - Make sure seal rings are pressed firmly into place and held by petroleum jelly.

RA

BR

ST

RS

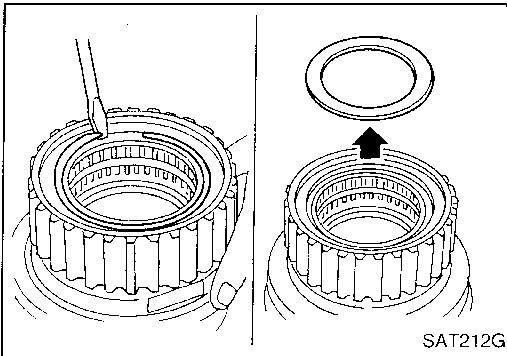
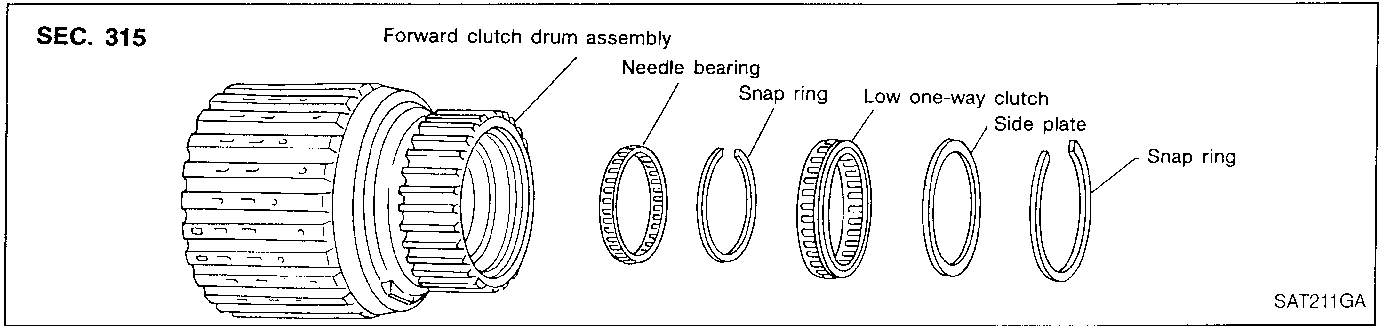
BT

HA

E

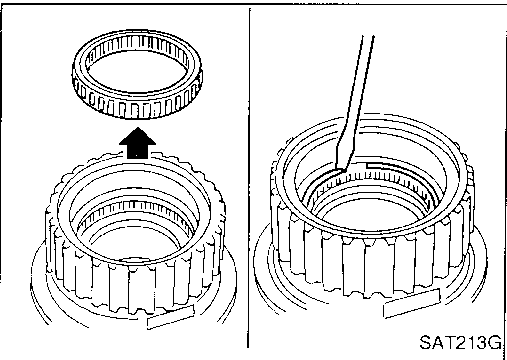
IDX

Forward Clutch Drum Assembly

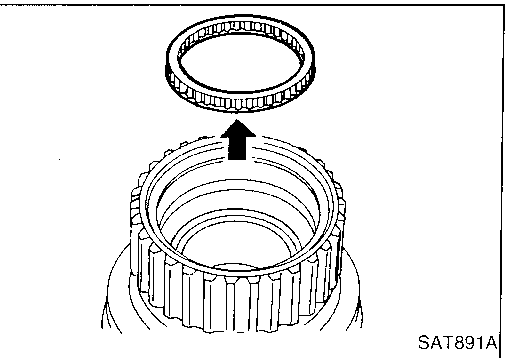


DISASSEMBLY

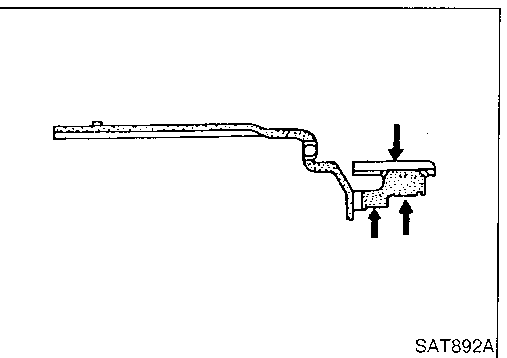
1. Remove snap ring from forward clutch drum.
2. Remove side plate from forward clutch drum.



3. Remove low one-way clutch from forward clutch drum.
4. Remove snap ring from forward clutch drum.



5. Remove needle bearing from forward clutch drum.



INSPECTION

Forward clutch drum

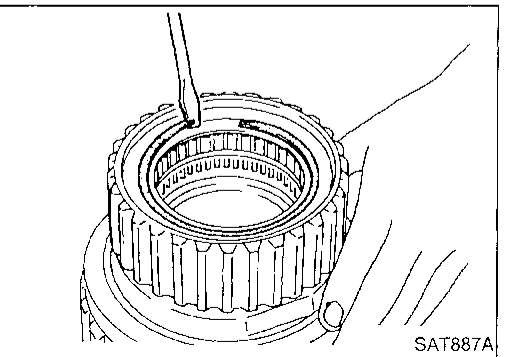
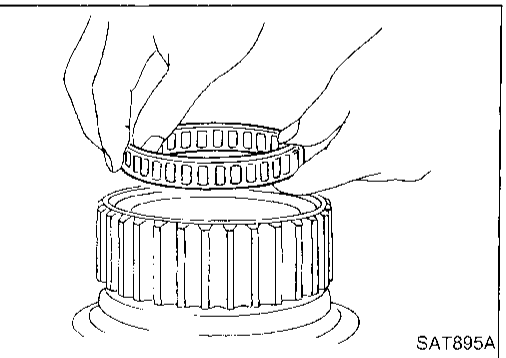
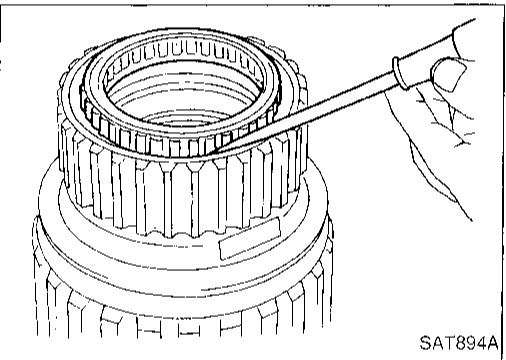
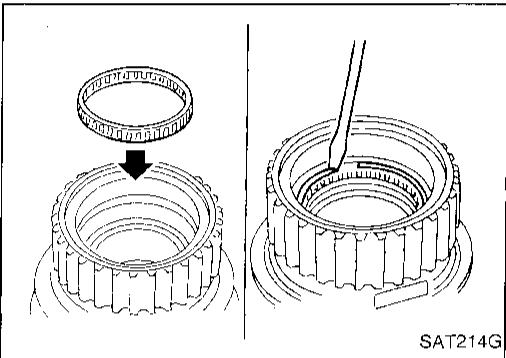
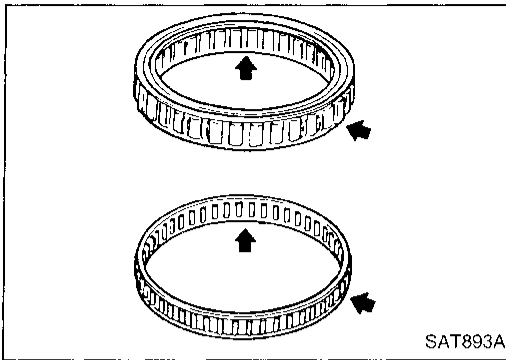
- Check spline portion for wear or damage.
- Check frictional surfaces of low one-way clutch and needle bearing for wear or damage.

REPAIR FOR COMPONENT PARTS

Forward Clutch Drum Assembly (Cont'd)

Needle bearing and low one-way clutch

- Check frictional surface for wear or damage.



ASSEMBLY

1. Install needle bearing in forward clutch drum.
2. Install snap ring onto forward clutch drum.

3. Install low one-way clutch onto forward clutch drum by pushing the roller in evenly.

- Install low one-way clutch with flange facing rearward.

4. Install side plate onto forward clutch drum.
5. Install snap ring onto forward clutch drum.

GI

MA

EM

LC

EC

EE

CL

MT

AT

TF

PD

FA

RA

BR

ST

RS

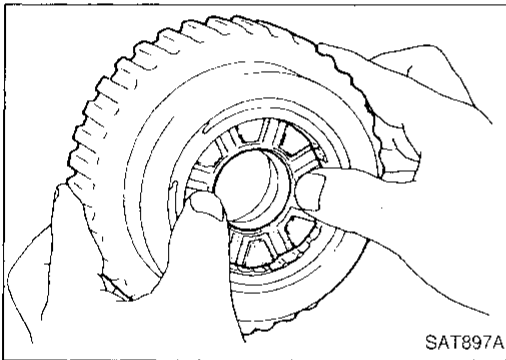
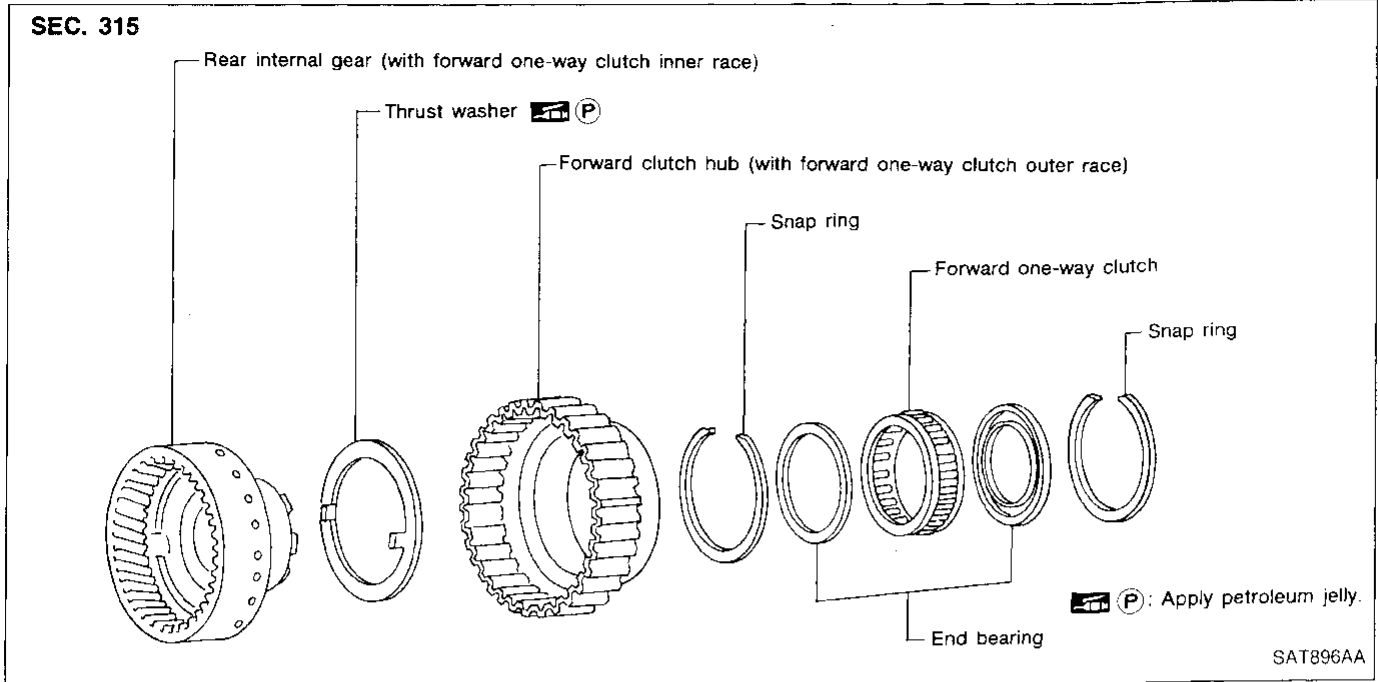
BT

HA

EL

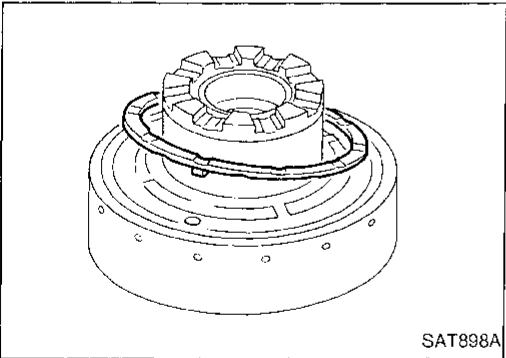
IDX

Rear Internal Gear and Forward Clutch Hub

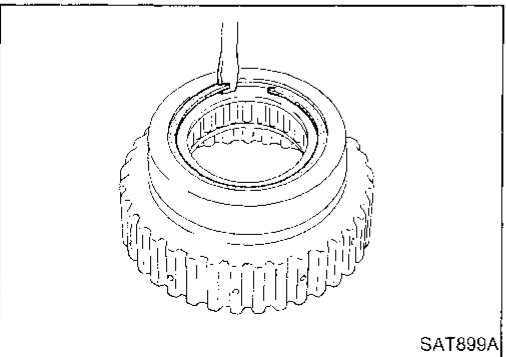


DISASSEMBLY

1. Remove rear internal gear by pushing forward clutch hub forward.



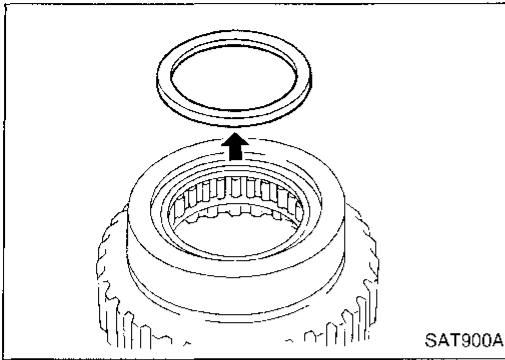
2. Remove thrust washer from rear internal gear.



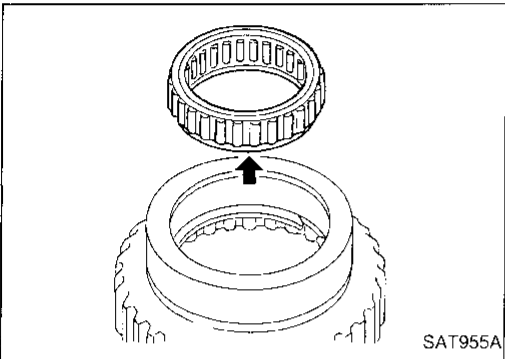
3. Remove snap ring from forward clutch hub.

REPAIR FOR COMPONENT PARTS

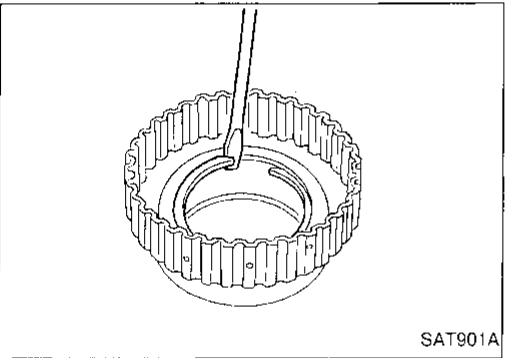
Rear Internal Gear and Forward Clutch Hub (Cont'd)



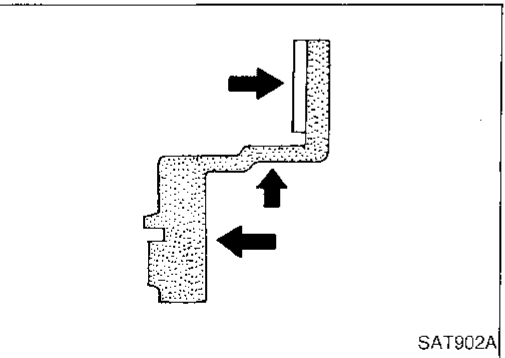
4. Remove end bearing.



5. Remove forward one-way clutch and end bearing as a unit from forward clutch hub.



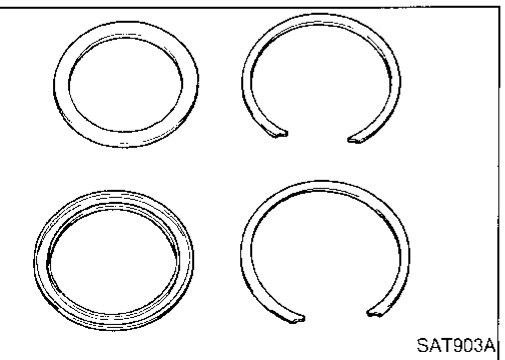
6. Remove snap ring from forward clutch hub.



INSPECTION

Rear internal gear and forward clutch hub

- Check gear for excessive wear, chips or cracks.
- Check frictional surfaces of forward one-way clutch and thrust washer for wear or damage.
- Check spline for wear or damage.



Snap ring and end bearing

- Check for deformation or damage.

GI

MA

EW

LC

EC

FE

CL

MT

AT

TF

PD

FA

RA

BR

ST

RS

BT

HA

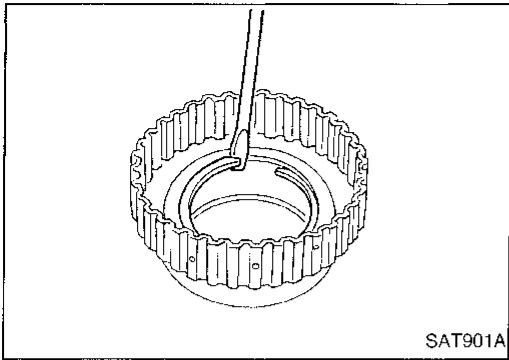
EL

IDX

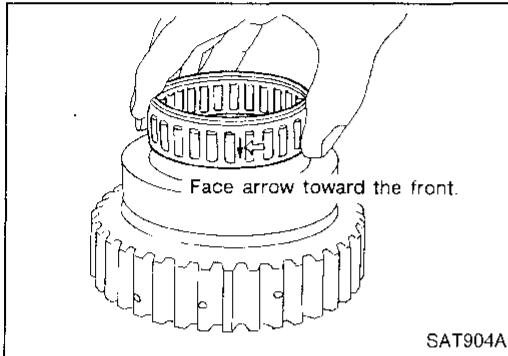
REPAIR FOR COMPONENT PARTS

Rear Internal Gear and Forward Clutch Hub (Cont'd)

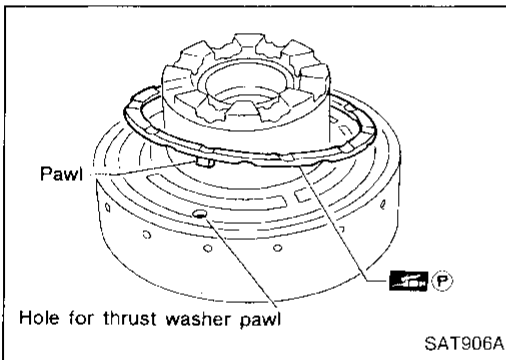
ASSEMBLY



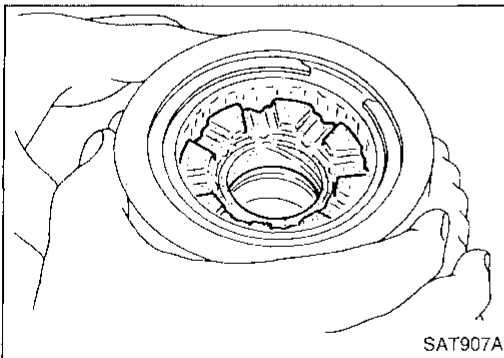
1. Install snap ring onto forward clutch hub.
2. Install end bearing.



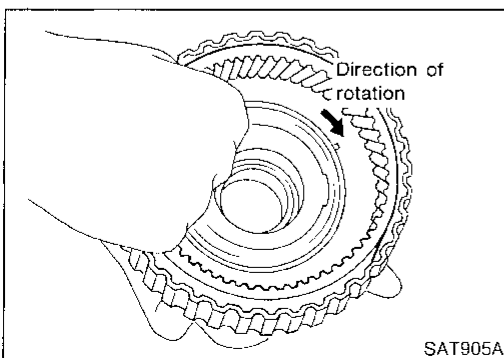
3. Install forward one-way clutch onto clutch hub.
 - **Install forward one-way clutch with flange facing rearward.**
4. Install end bearing.
5. Install snap ring onto forward clutch hub.



6. Install thrust washer onto rear internal gear.
 - **Apply petroleum jelly to thrust washer.**
 - **Securely insert pawls of thrust washer into holes in rear internal gear.**

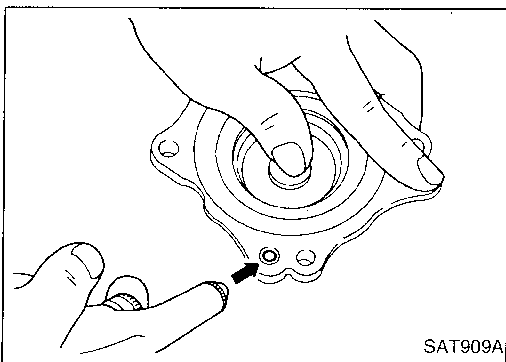
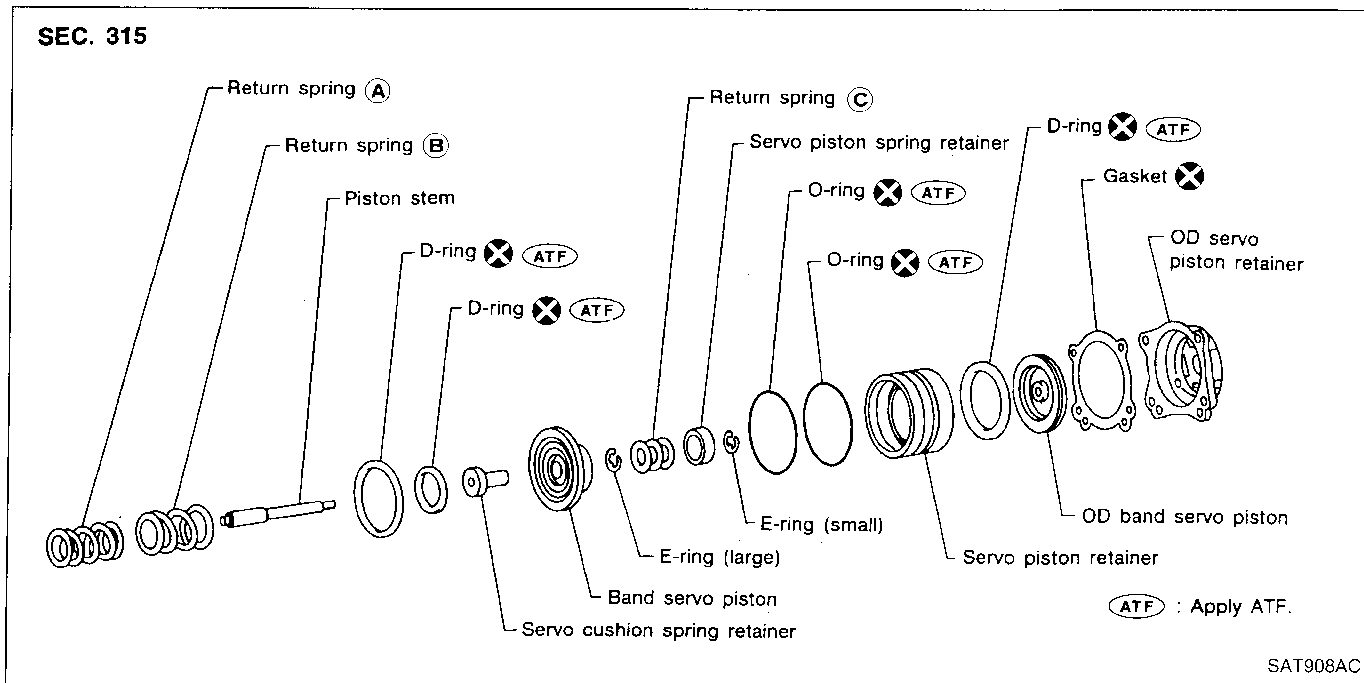


7. Position forward clutch hub in rear internal gear.



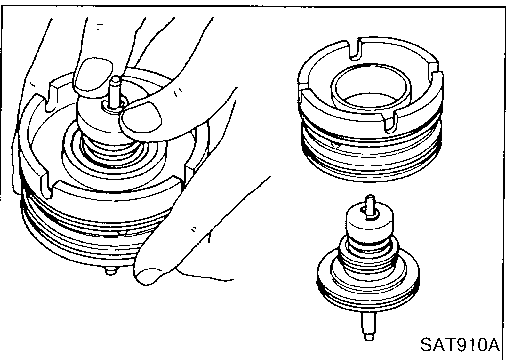
8. After installing, check to assure that forward clutch hub rotates clockwise.

Band Servo Piston Assembly

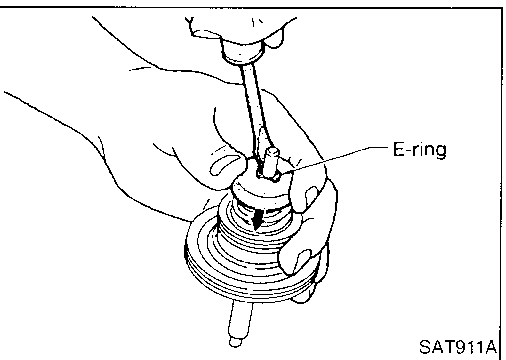


DISASSEMBLY

1. Block one oil hole in OD servo piston retainer and the center hole in OD band servo piston.
2. Apply compressed air to the other oil hole in piston retainer to remove OD band servo piston from retainer.
3. Remove D-ring from OD band servo piston.



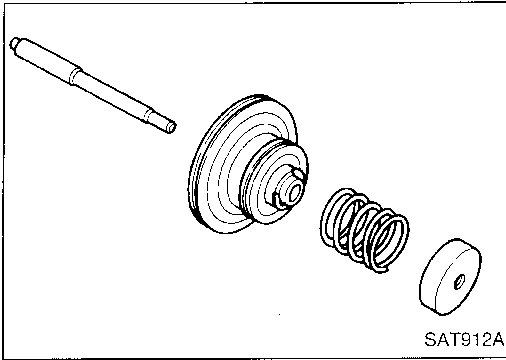
4. Remove band servo piston assembly from servo piston retainer by pushing it forward.



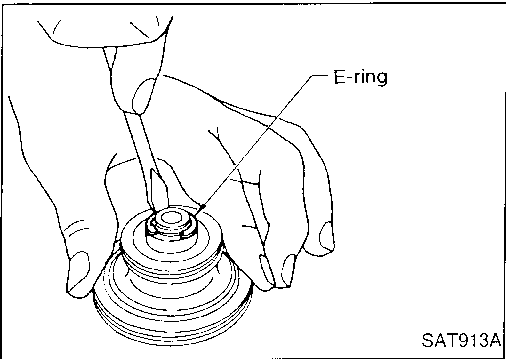
5. Place piston stem end on a wooden block. While pushing servo piston spring retainer down, remove E-ring.

REPAIR FOR COMPONENT PARTS

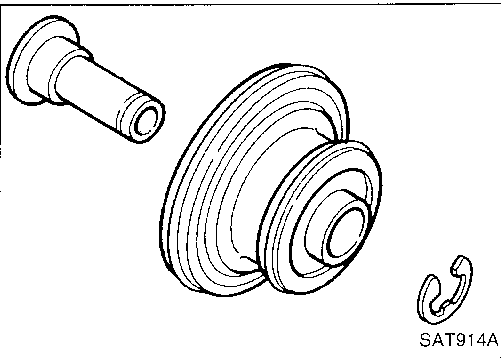
Band Servo Piston Assembly (Cont'd)



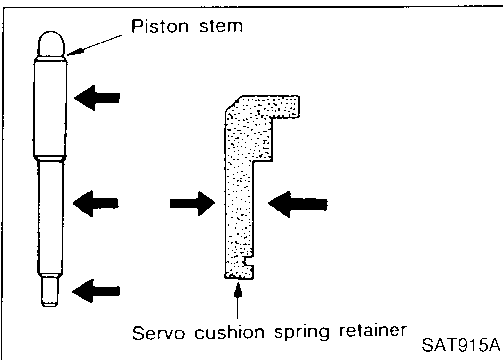
6. Remove servo piston spring retainer, return spring C and piston stem from band servo piston.



7. Remove E-ring from band servo piston.



8. Remove servo cushion spring retainer from band servo piston.
9. Remove D-rings from band servo piston.
10. Remove O-rings from servo piston retainer.



INSPECTION

Pistons, retainers and piston stem

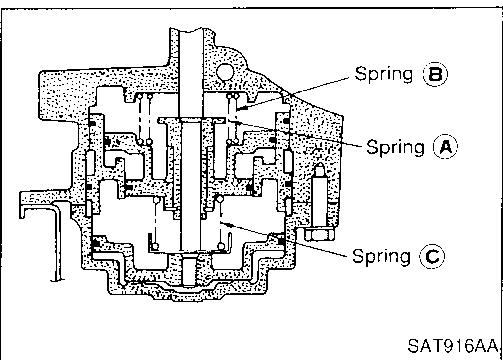
- Check frictional surfaces for abnormal wear or damage.

Return springs

- Check for deformation or damage. Measure free length and outer diameter.

Inspection standard:

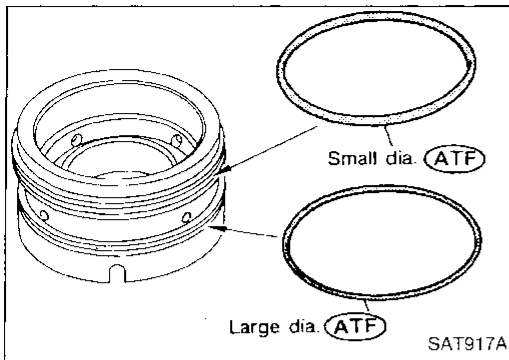
Refer to SDS, AT-215.



REPAIR FOR COMPONENT PARTS

Band Servo Piston Assembly (Cont'd)

ASSEMBLY



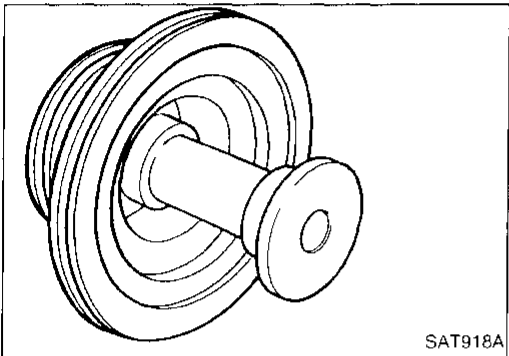
1. Install O-rings onto servo piston retainer.
 - Apply ATF to O-rings.
 - Pay attention to position of each O-ring.

GI

MA

EM

LC



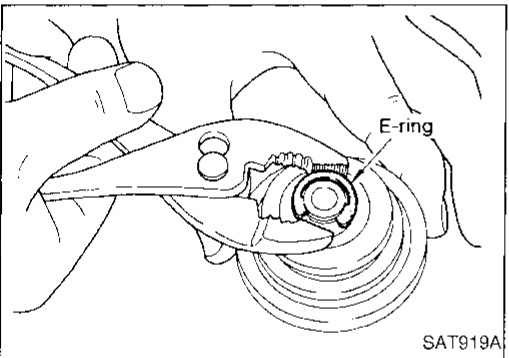
2. Install servo cushion spring retainer onto band servo piston.

EC

FE

CL

MT



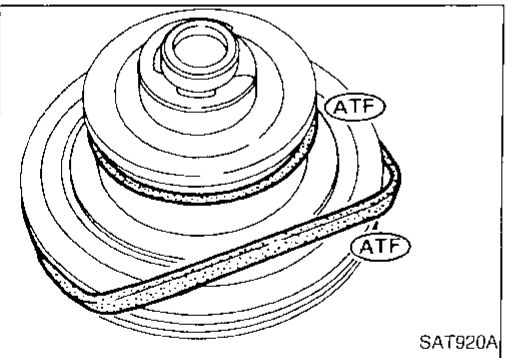
3. Install E-ring onto servo cushion spring retainer.

AT

TF

PD

FA



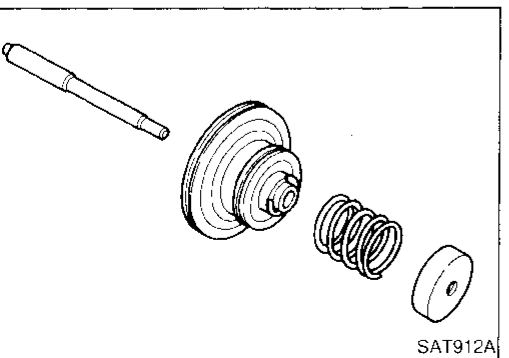
4. Install D-rings onto band servo piston.
 - Apply ATF to D-rings.

RA

BR

ST

RS



5. Install servo piston spring retainer, return spring C and piston stem onto band servo piston.

BT

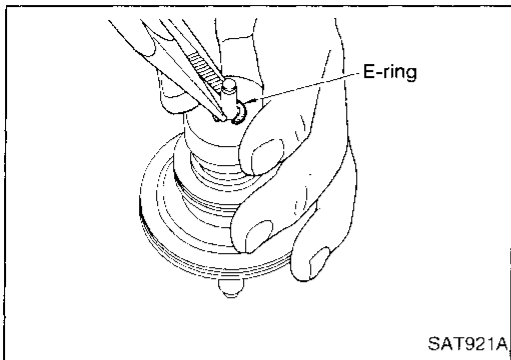
EA

EL

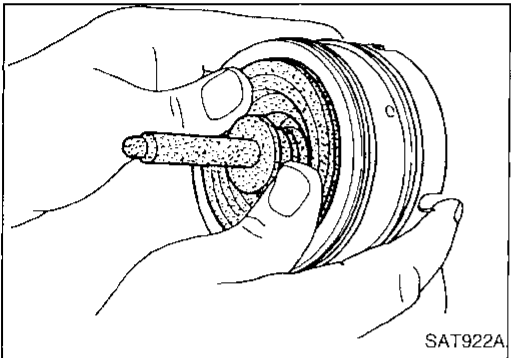
IDX

REPAIR FOR COMPONENT PARTS

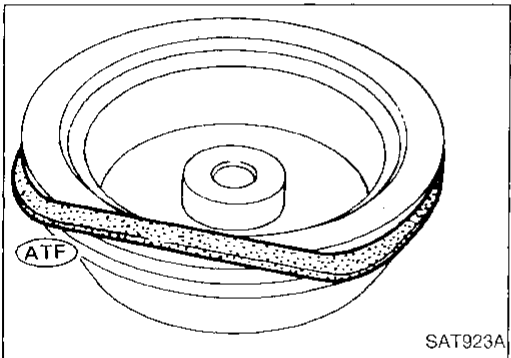
Band Servo Piston Assembly (Cont'd)



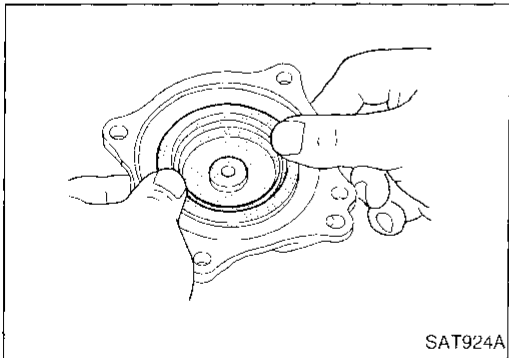
6. Place piston stem end on a wooden block. While pushing servo piston spring retainer down, install E-ring.



7. Install band servo piston assembly onto servo piston retainer by pushing it inward.

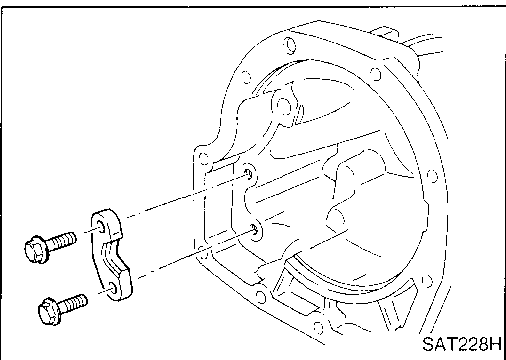
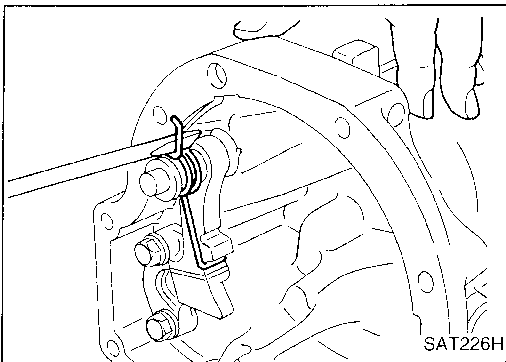
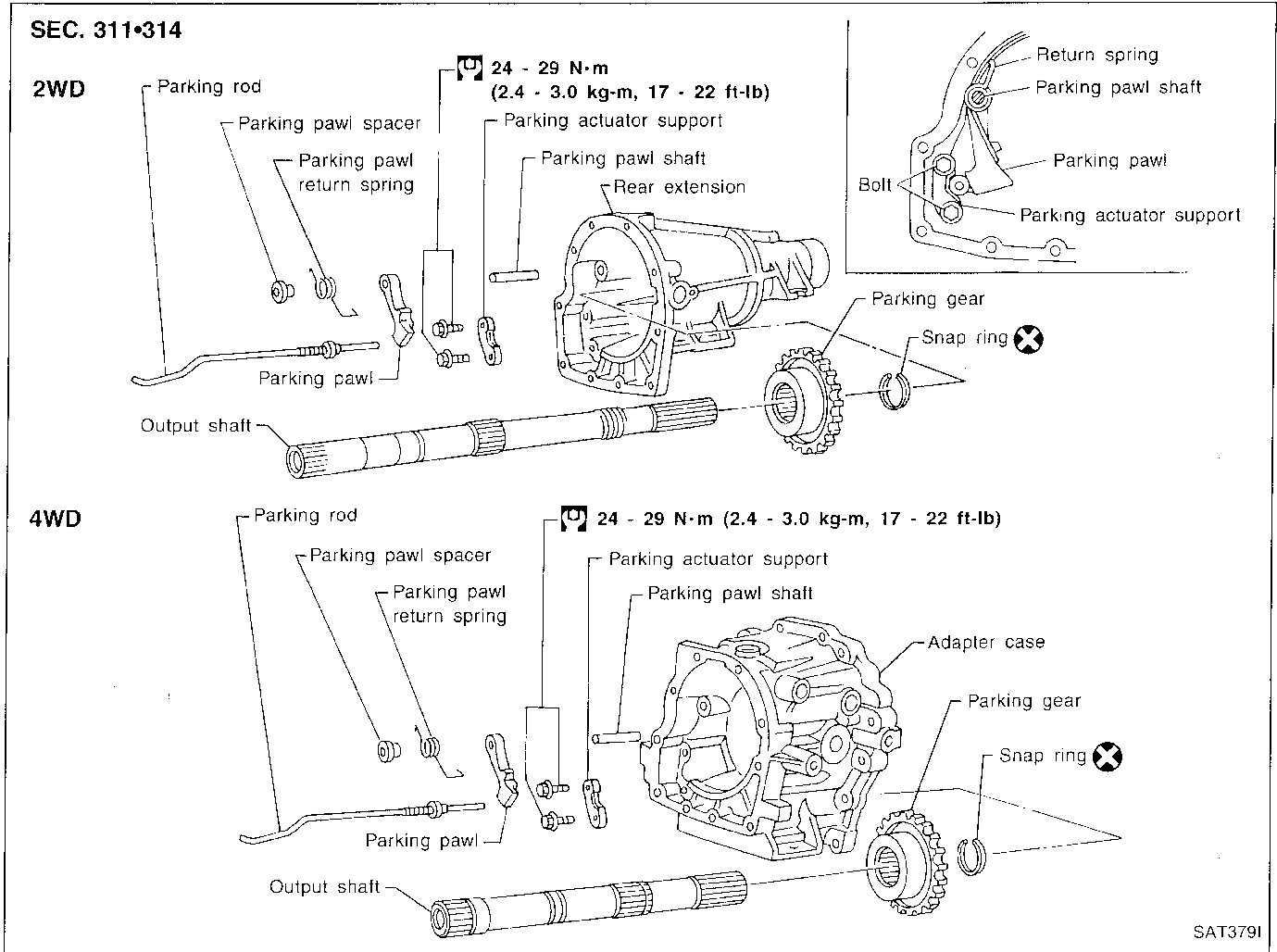


8. Install D-ring on OD band servo piston.
 - **Apply ATF to D-ring.**



9. Install OD band servo piston onto servo piston retainer by pushing it inward.

Parking Pawl Components



DISASSEMBLY

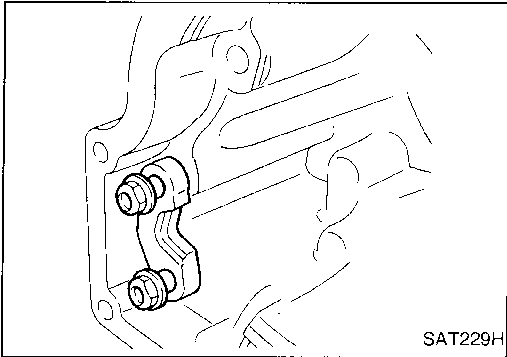
1. Slide return spring to the front of rear extension case flange or adapter case flange.
2. Remove return spring, pawl spacer and parking pawl from rear extension or adapter case.
3. Remove parking pawl shaft from rear extension or adapter case.
4. Remove parking actuator support from rear extension or adapter case.

CI
MA
EM
LC
EC
FE
CL
MT
AT
TF
PD
FA
HA
BR
ST
RS
BT
HA
EL
IDX

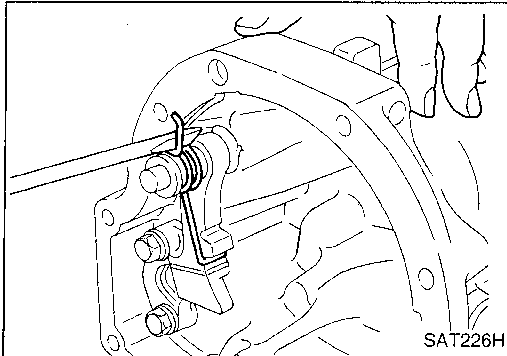
REPAIR FOR COMPONENT PARTS

Parking Pawl Components (Cont'd)

ASSEMBLY



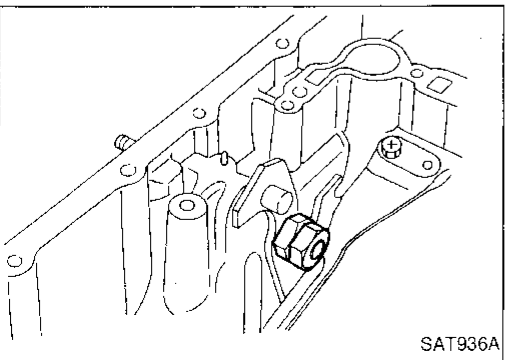
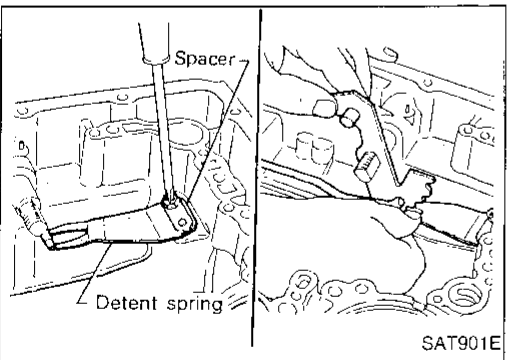
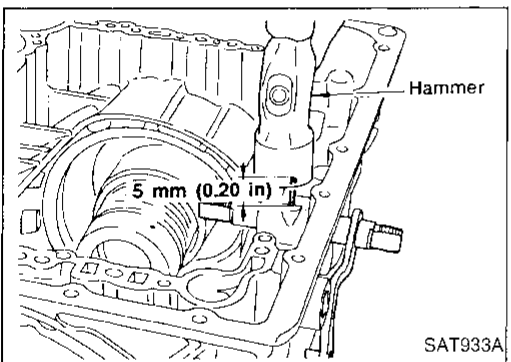
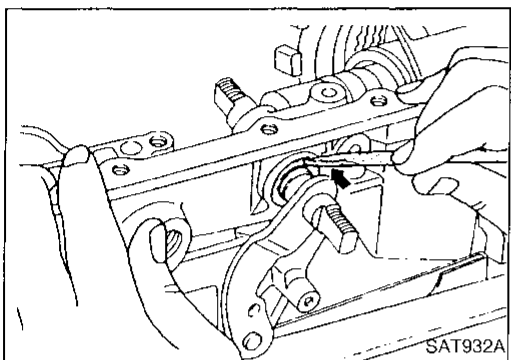
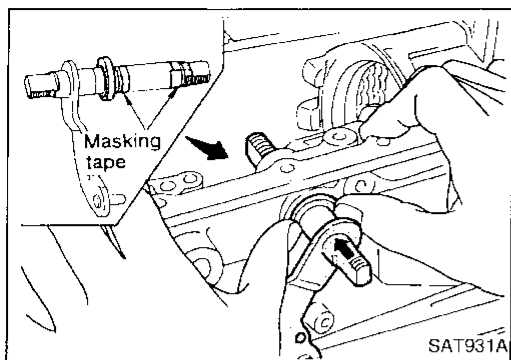
1. Install parking actuator support onto rear extension or adapter case.
2. Insert parking pawl shaft into rear extension or adapter case.
3. Install return spring, pawl spacer and parking pawl onto parking pawl shaft.



4. Bend return spring upward and install it onto rear extension or adapter case.

ASSEMBLY

Assembly (1)



1. Install manual shaft components.
 - a. Install oil seal onto manual shaft.
 - Apply ATF to oil seal.
 - Wrap threads of manual shaft with masking tape.
 - b. Insert manual shaft and oil seal as a unit into transmission case.
 - c. Remove masking tape.
- d. Push oil seal evenly and install it onto transmission case.
- e. Align groove in shaft with drive pin hole, then drive pin into position as shown in figure at left.
- f. Install detent spring and spacer.
- g. While pushing detent spring down, install manual plate onto manual shaft.
- h. Install lock nuts onto manual shaft.

GI

MA

EM

LC

EC

FE

CL

MT

AT

TF

PD

EA

RA

BR

ST

RS

BT

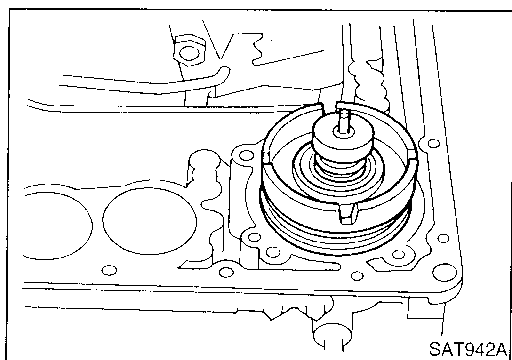
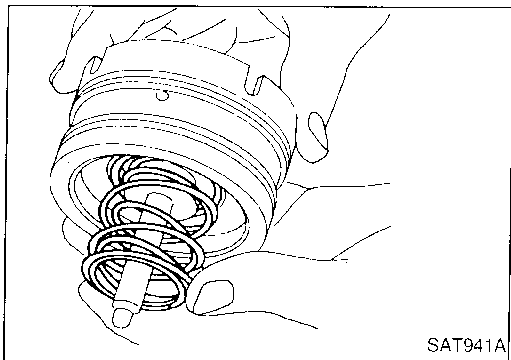
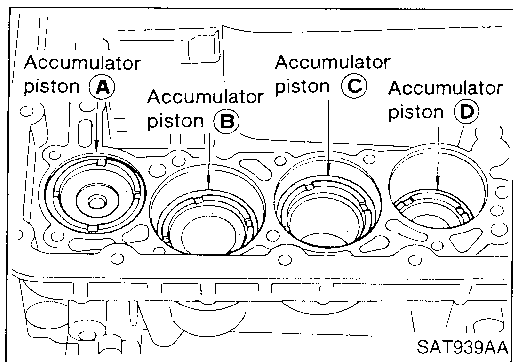
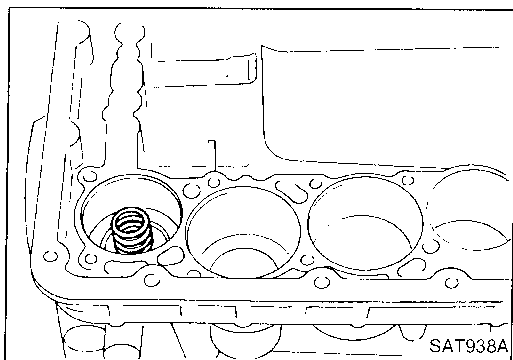
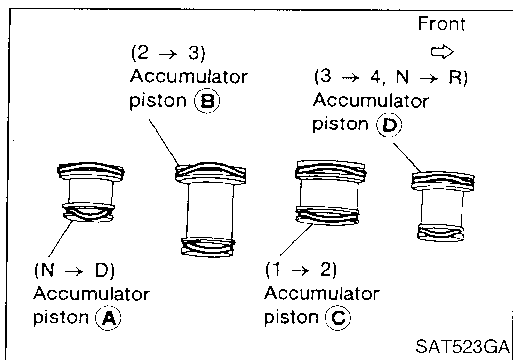
HA

EL

IDX

ASSEMBLY

Assembly (1) (Cont'd)



2. Install accumulator piston.
 - a. Install O-rings onto accumulator piston.
 - **Apply ATF to O-rings.**

Accumulator piston O-rings

Unit: mm (in)

Accumulator	(A)	(B)	(C)	(D)
Small diameter end	29 (1.14)	32 (1.26)	45 (1.77)	29 (1.14)
Large diameter end	45 (1.77)	50 (1.97)	50 (1.97)	45 (1.77)

- b. Install return spring for accumulator A onto transmission case.
 - **Free length of return spring:**
Refer to SDS, AT-215.

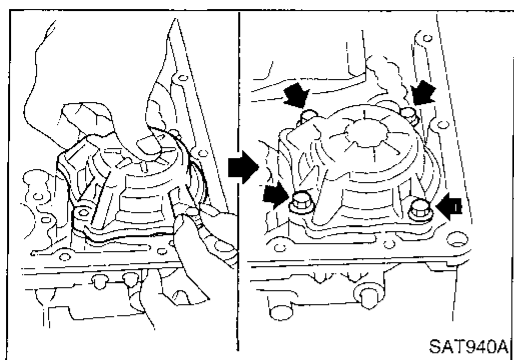
- c. Install accumulator pistons (A), (B), (C) and (D).
 - **Apply ATF to transmission case.**

3. Install band servo piston.
 - a. Install return springs onto servo piston.

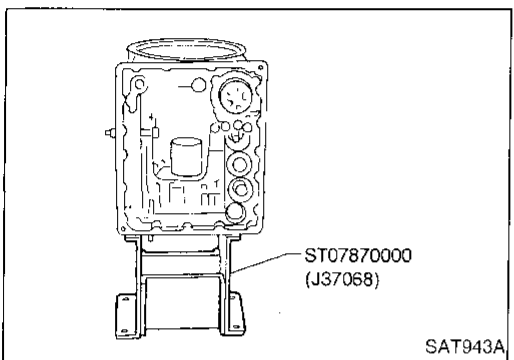
- b. Install band servo piston onto transmission case.
 - **Apply ATF to O-ring of band servo piston and transmission case.**
- c. Install gasket for band servo onto transmission case.

ASSEMBLY

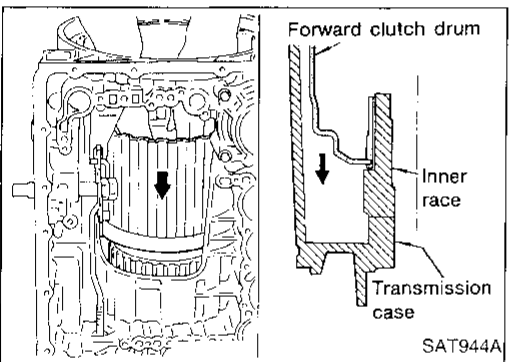
Assembly (1) (Cont'd)



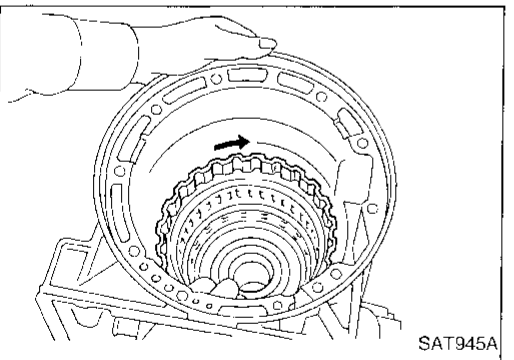
d. Install band servo retainer onto transmission case.



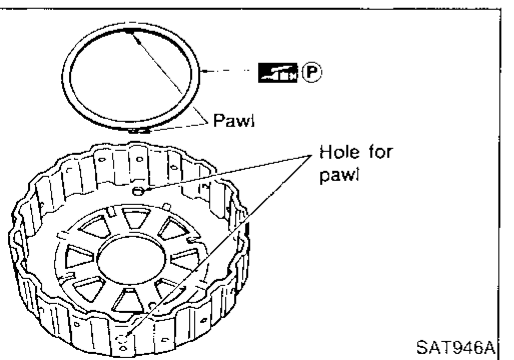
4. Install rear side clutch and gear components.
a. Place transmission case in vertical position.



b. Slightly lift forward clutch drum assembly. Then slowly rotate it clockwise until its hub passes fully over clutch inner race inside transmission case.



c. Check to be sure that rotation direction of forward clutch assembly is correct.



d. Install thrust washer onto front of overrun clutch hub.
 • Apply petroleum jelly to the thrust washer.
 • Insert pawls of thrust washer securely into holes in overrun clutch hub.

GI

MA

EM

LC

EC

HE

CL

MT

AT

TF

PD

FA

RA

BR

ST

RS

BT

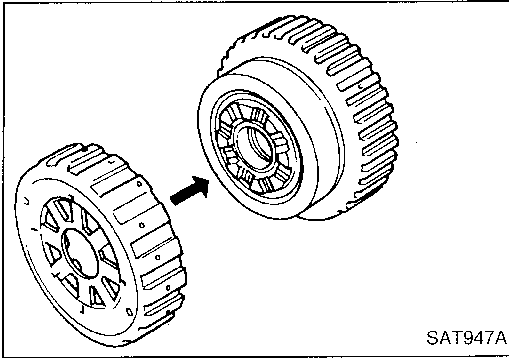
HA

E

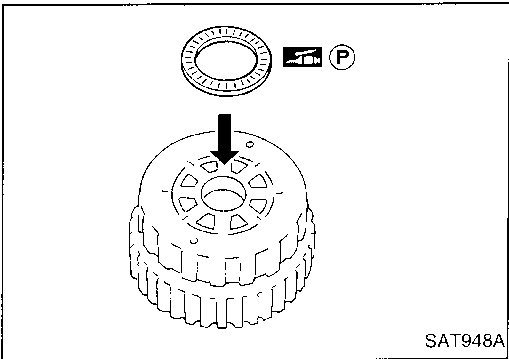
IDX

ASSEMBLY

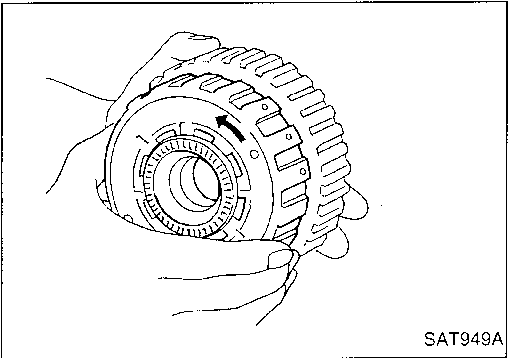
Assembly (1) (Cont'd)



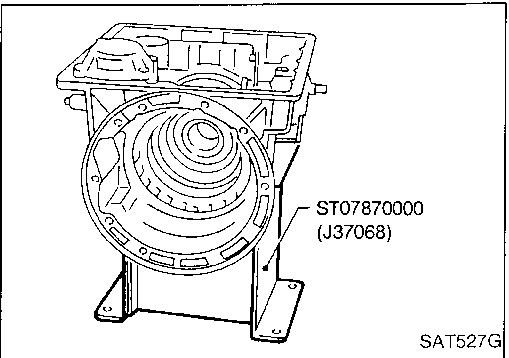
e. Install overrun clutch hub onto rear internal gear assembly.



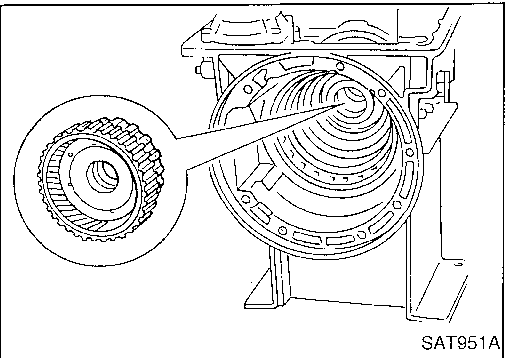
f. Install needle bearing onto rear of overrun clutch hub.
● Apply petroleum jelly to needle bearing.



g. Check that overrun clutch hub rotates as shown while holding forward clutch hub.



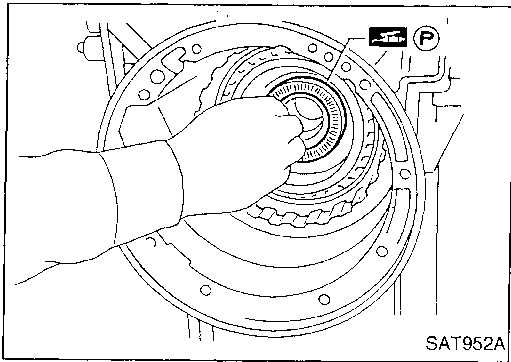
h. Place transmission case into horizontal position.



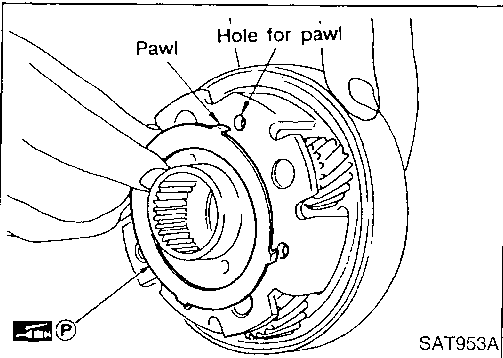
i. Install rear internal gear, forward clutch hub and overrun clutch hub as a unit onto transmission case.

ASSEMBLY

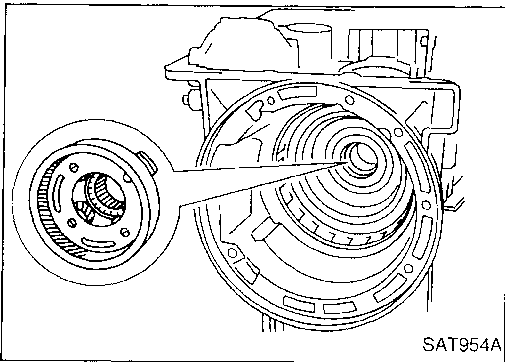
Assembly (1) (Cont'd)



- j. Install needle bearing onto rear internal gear.
- Apply petroleum jelly to needle bearing.



- k. Install bearing race onto rear of front internal gear.
- Apply petroleum jelly to bearing race.
 - Securely engage pawls of bearing race with holes in front internal gear.



- l. Install front internal gear on transmission case.

Adjustment

When any parts listed in the following table are replaced, total end play or reverse clutch end play must be adjusted.

Part name	Total end play	Reverse clutch end play
Transmission case	●	●
Low one-way clutch inner race	●	●
Overrun clutch hub	●	●
Rear internal gear	●	●
Rear planetary carrier	●	●
Rear sun gear	●	●
Front planetary carrier	●	●
Front sun gear	●	●
High clutch hub	●	●
High clutch drum	●	●
Oil pump cover	●	●
Reverse clutch drum	—	●

GI

MA

EM

LC

EC

FE

CL

MT

AT

TF

PD

FA

RA

BR

ST

RS

BT

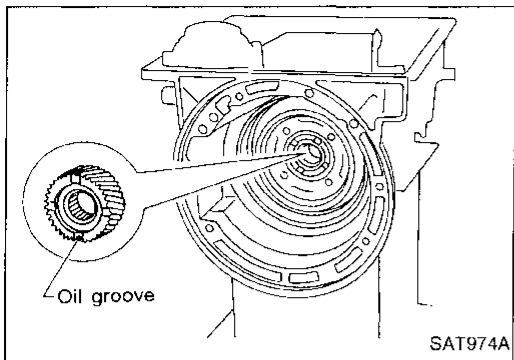
HA

EL

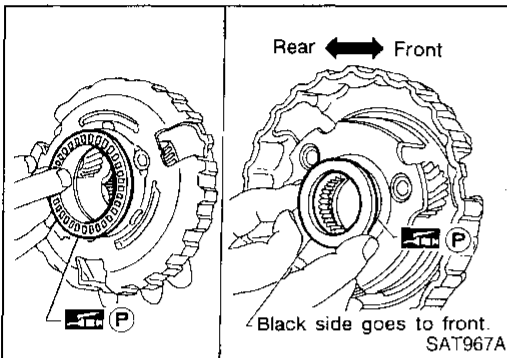
IDX

ASSEMBLY

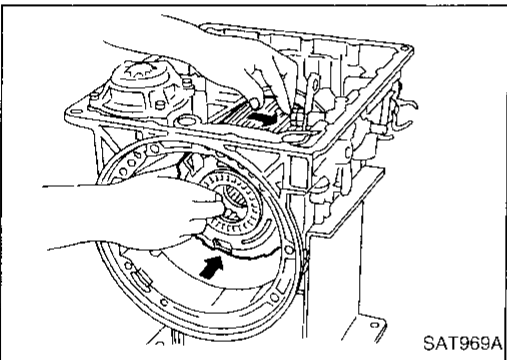
Adjustment (Cont'd)



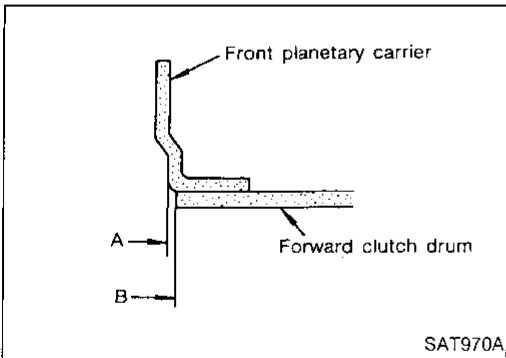
1. Install front side clutch and gear components.
 - a. Install rear sun gear on transmission case.
 - **Pay attention to its direction.**



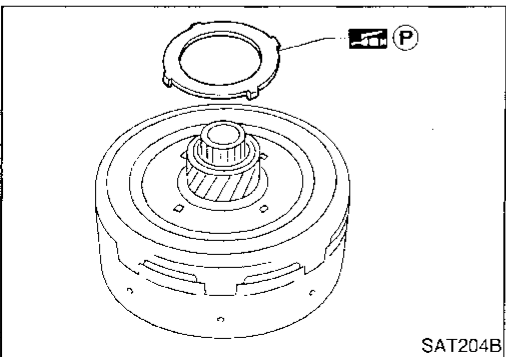
- b. Install needle bearing on front of front planetary carrier.
 - **Apply petroleum jelly to needle bearing.**
 - c. Install needle bearing on rear of front planetary carrier.
 - **Apply petroleum jelly to bearing.**
 - **Pay attention to its direction — Black side goes to front.**



- d. While rotating forward clutch drum clockwise, install front planetary carrier on forward clutch drum.



- **Check that portion A of front planetary carrier protrudes approximately 2 mm (0.08 in) beyond portion B of forward clutch assembly.**

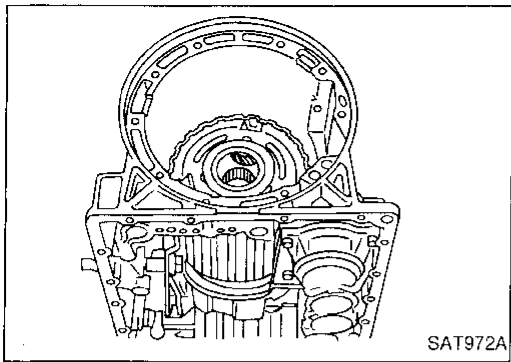


- e. Install bearing races on rear of clutch pack.
 - **Apply petroleum jelly to bearing races.**
 - **Securely engage pawls of bearing race with hole in clutch pack.**

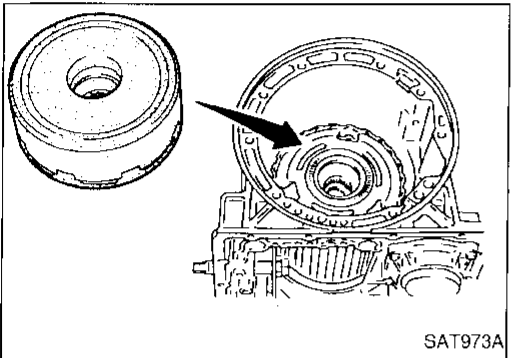
ASSEMBLY

Adjustment (Cont'd)

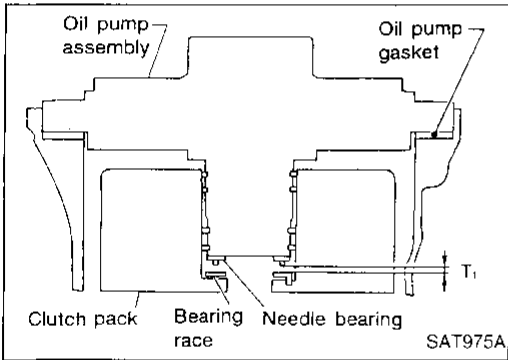
- f. Place transmission case in vertical position.



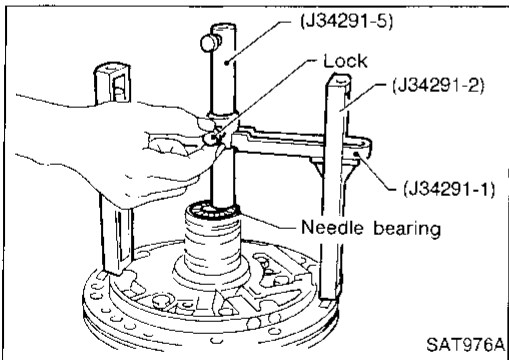
- g. Install clutch pack into transmission case.



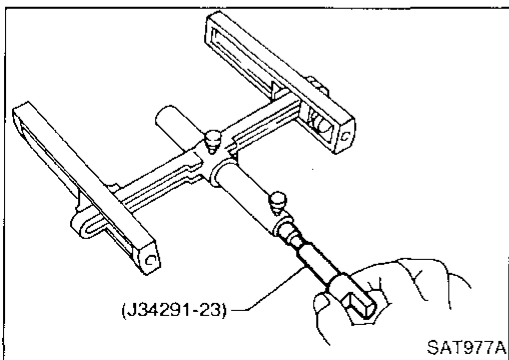
2. Adjust total end play.
Total end play "T₁":
0.25 - 0.55 mm (0.0098 - 0.0217 in)



- a. With needle bearing installed, place J34291-1 (bridge), J34291-2 (legs) and the J34291-5 (gauging cylinder) onto oil pump. The long ends of legs should be placed firmly on machined surface of oil pump assembly. The gauging cylinder should rest on top of the needle bearing. Lock gauging cylinder in place with set screw.



- b. Install J34291-23 (gauging plunger) into gauging cylinder.



GI

MA

EM

LC

EC

FE

CL

MT

AT

TF

PD

FA

HA

BR

ST

RS

BT

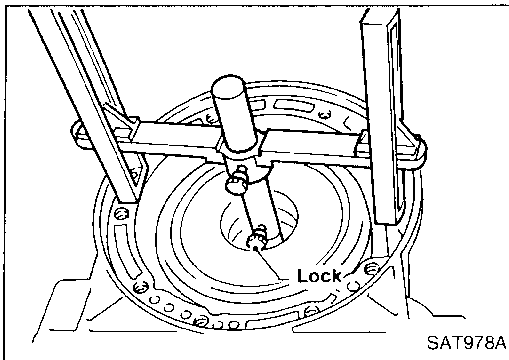
HA

EL

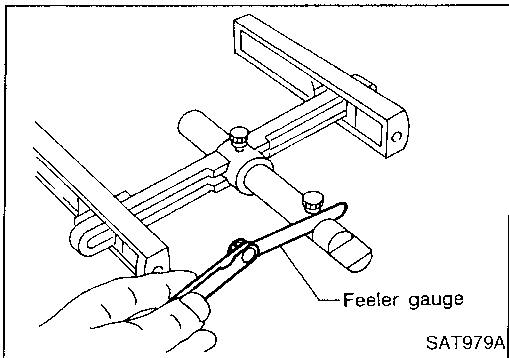
IDX

ASSEMBLY

Adjustment (Cont'd)



- c. Install original bearing race inside reverse clutch drum. Place shim selecting gauge with its legs on machined surface of transmission case (no gasket). Allow gauging plunger to rest on bearing race. Lock gauging plunger in place with set screw.

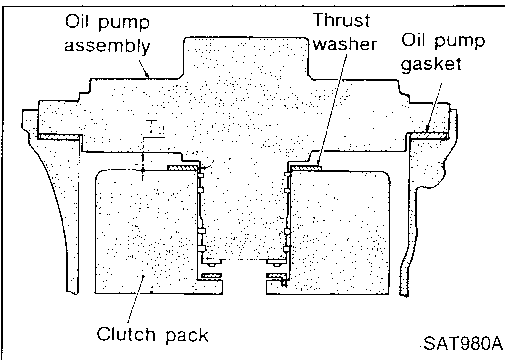


- d. Remove Tool and use feeler gauge to measure gap between gauging cylinder and gauging plunger. This measurement should give exact total end play.

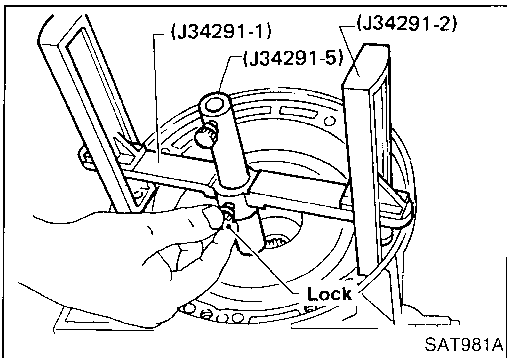
Total end play "T₁":
0.25 - 0.55 mm (0.0098 - 0.0217 in)

- If end play is out of specification, decrease or increase thickness of oil pump cover bearing race as necessary.

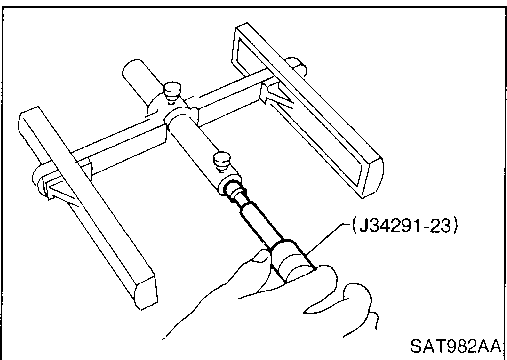
Available oil pump cover bearing race:
Refer to SDS, AT-217.



3. Adjust reverse clutch drum end play.
Reverse clutch drum end play "T₂":
0.55 - 0.90 mm (0.0217 - 0.0354 in)



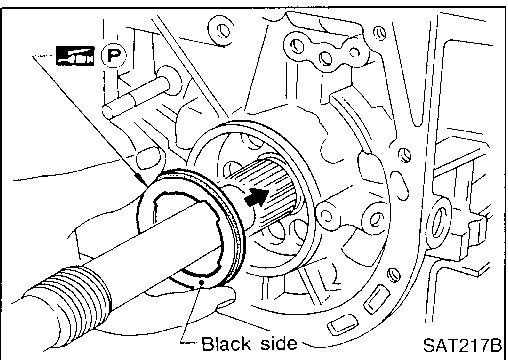
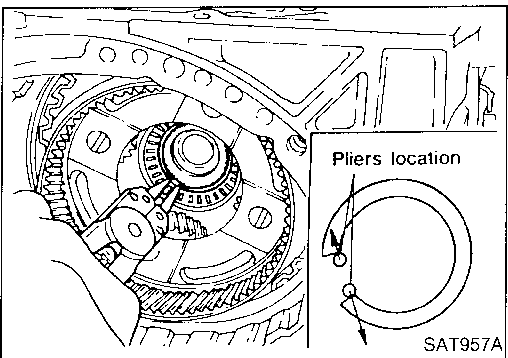
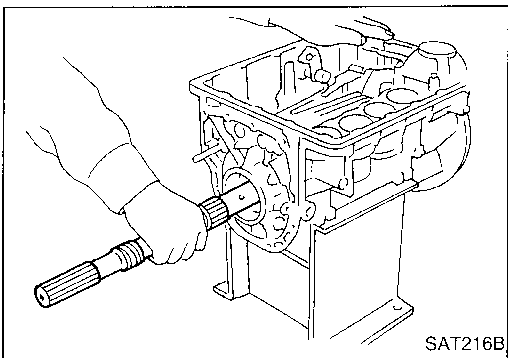
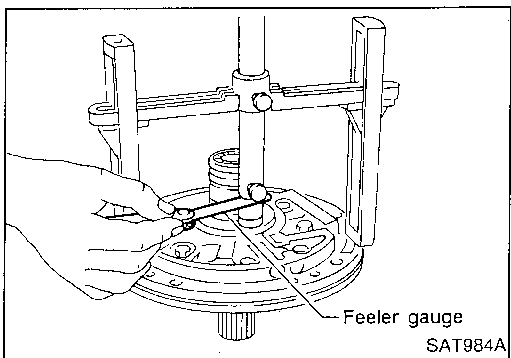
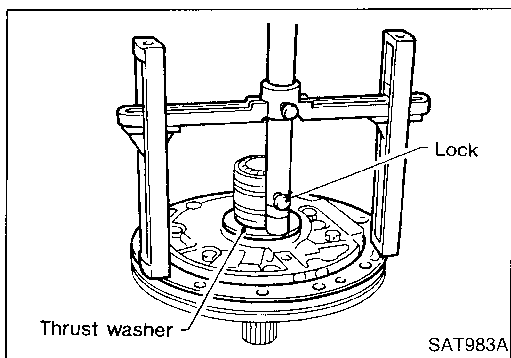
- a. Place J34291-1 (bridge), J34291-2 (legs) and J34291-5 (gauging cylinder) on machined surface of transmission case (no gasket). Allow gauging cylinder to rest on front thrust surface of reverse clutch drum. Lock cylinder in place with set screw.



- b. Install J34291-23 (gauging plunger) into gauging cylinder.

ASSEMBLY

Adjustment (Cont'd)



- c. Install original thrust washer on oil pump. Place shim setting gauge legs onto machined surface of oil pump assembly. Allow gauging plunger to rest on thrust washer. Lock plunger in place with set screw.

- d. Use feeler gauge to measure gap between gauging plunger and gauging cylinder. This measurement should give you exact reverse clutch drum end play.

Reverse clutch drum end play "T₂":
0.55 - 0.90 mm (0.0217 - 0.0354 in)

- If end play is out of specification, decrease or increase thickness of oil pump thrust washer as necessary.

Available oil pump thrust washer:
Refer to SDS, AT-217.

Assembly (2)

1. Install output shaft and parking gear.
- a. Insert output shaft from rear of transmission case while slightly lifting front internal gear.
- **Do not force output shaft against front of transmission case.**

- b. Carefully push output shaft against front of transmission case. Install snap ring on front of output shaft.
- **Check to be sure output shaft cannot be removed in rear direction.**

- c. Install needle bearing on transmission case.
- **Pay attention to its direction — Black side goes to rear.**
 - **Apply petroleum jelly to needle bearing.**

GI

MA

EM

LC

EC

FE

CL

MT

AT

TF

PD

FA

RA

BR

ST

RS

BT

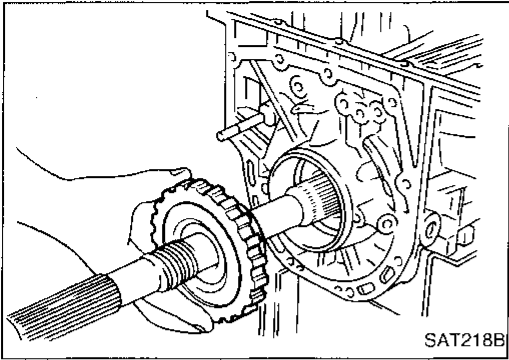
HA

EL

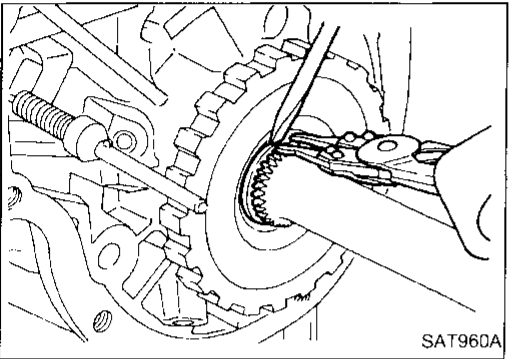
IDX

ASSEMBLY

Assembly (2) (Cont'd)

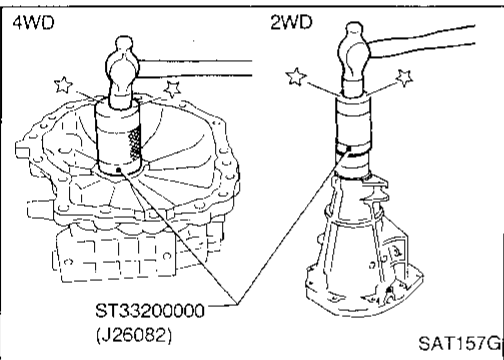


d. Install parking gear on transmission case.



e. Install snap ring on rear of output shaft.

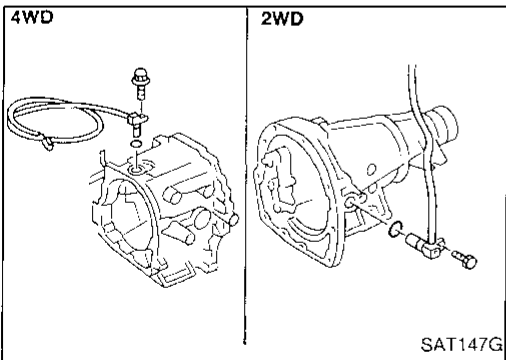
- **Check to be sure output shaft cannot be removed in forward direction.**



2. Install rear extension or adapter case.

a. Install oil seal on rear extension or adapter case.

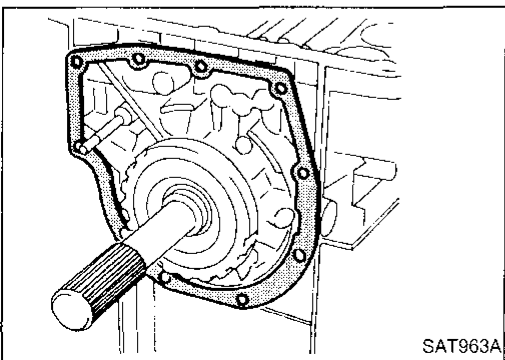
- **Apply ATF to oil seal.**



b. Install O-ring on revolution sensor.

- **Apply ATF to O-ring.**

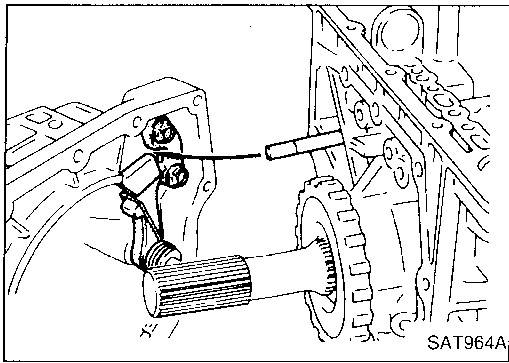
c. Install revolution sensor on rear extension or adapter case.



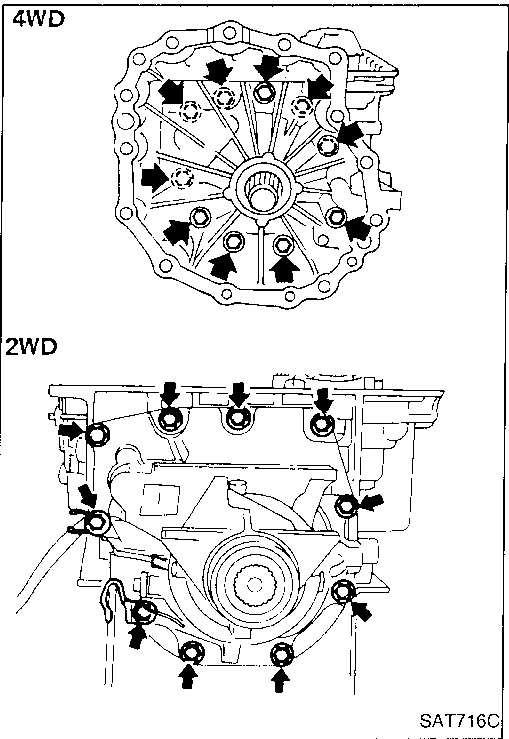
d. Install rear extension gasket on transmission case.

ASSEMBLY

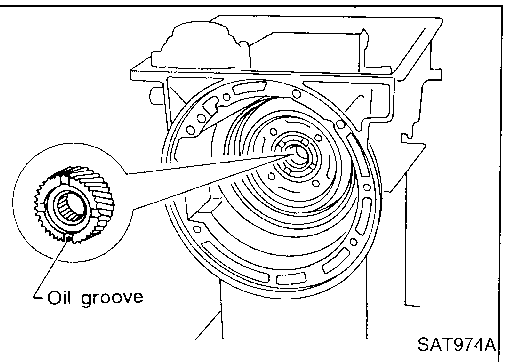
Assembly (2) (Cont'd)



e. Install parking rod on transmission case.



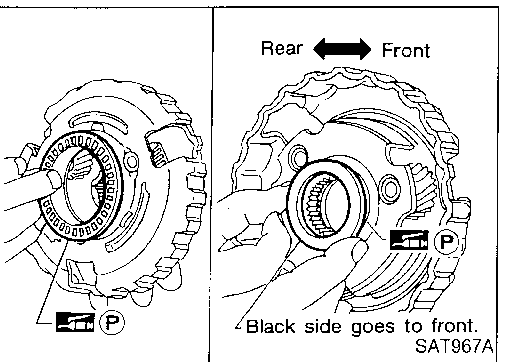
f. Install rear extension or adapter case on transmission case.



3. Install front side clutch and gear components.

a. Install rear sun gear on transmission case.

- Pay attention to its direction.



b. Make sure needle bearing is on front of front planetary carrier.

- Apply petroleum jelly to needle bearing.

c. Make sure needle bearing is on rear of front planetary carrier.

- Apply petroleum jelly to bearing.

- Pay attention to its direction — Black side goes to front.

GI

MA

EM

LC

EC

FE

CL

MT

AT

TF

PD

FA

RA

BR

ST

RS

BT

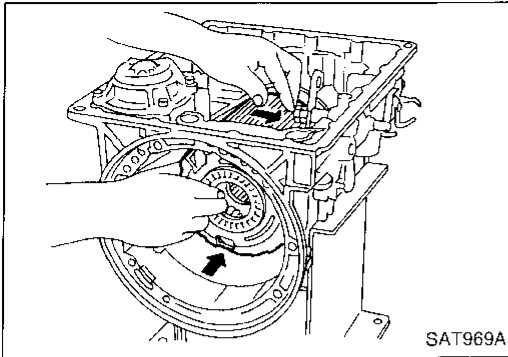
HA

EL

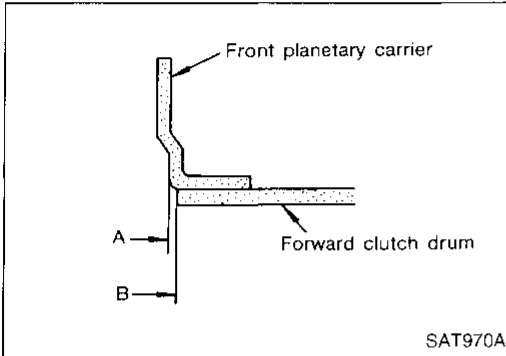
IDX

ASSEMBLY

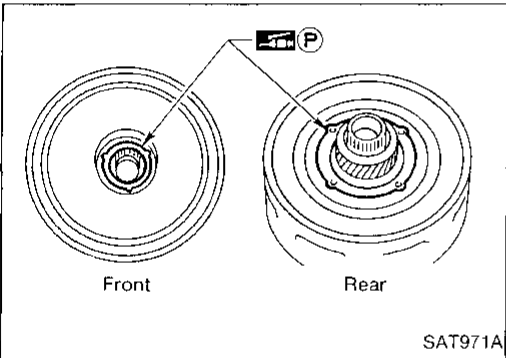
Assembly (2) (Cont'd)



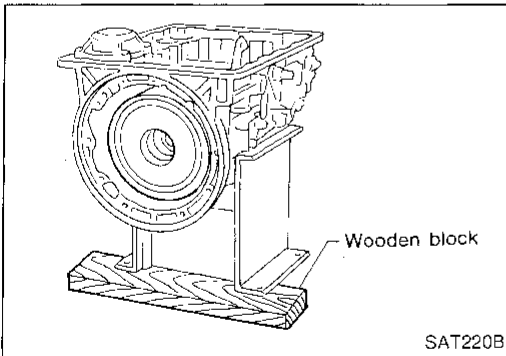
- d. While rotating forward clutch drum clockwise, install front planetary carrier on forward clutch drum.



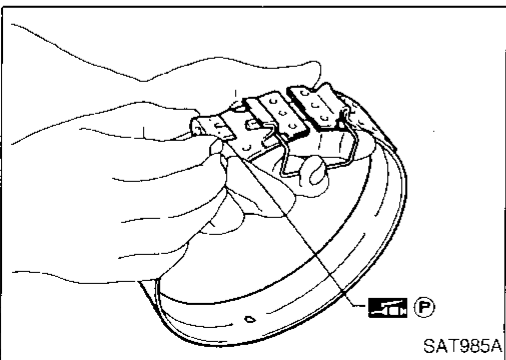
- Check that portion A of front planetary carrier protrudes approximately 2 mm (0.08 in) beyond portion B of forward clutch assembly.



- e. Make sure bearing races are on front and rear of clutch pack.
- Apply petroleum jelly to bearing races.
 - Securely engage pawls of bearing races with holes in clutch pack.



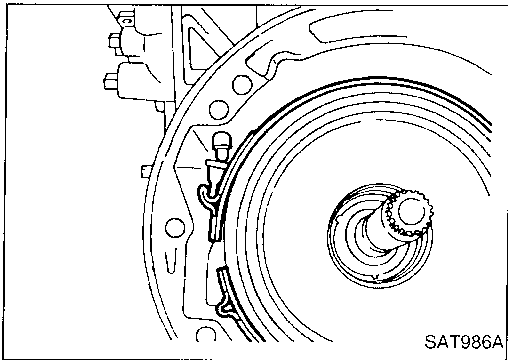
- f. Install clutch pack into transmission case.



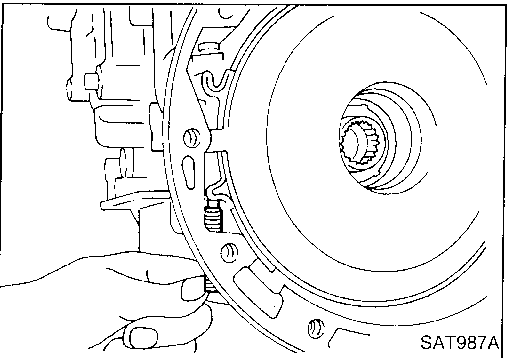
4. Install brake band and band strut.
- a. Install band strut on brake band.
- Apply petroleum jelly to band strut.

ASSEMBLY

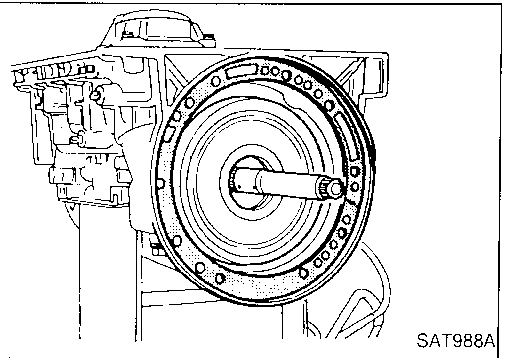
Assembly (2) (Cont'd)



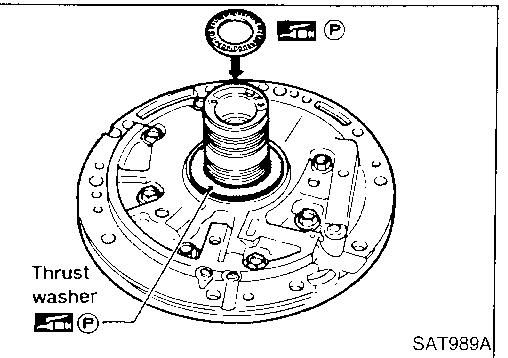
- b. Place brake band on periphery of reverse clutch drum, and insert band strut into end of band servo piston stem.



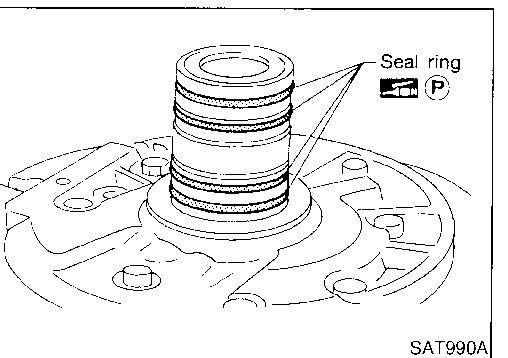
- c. Install anchor end bolt on transmission case. Then, tighten anchor end bolt just enough so that reverse clutch drum (clutch pack) will not tilt forward.



5. Install input shaft on transmission case.
● **Pay attention to its direction — O-ring groove side is front.**
6. Install gasket on transmission case.



7. Install oil pump assembly.
a. Install needle bearing on oil pump assembly.
● **Apply petroleum jelly to the needle bearing.**
b. Install selected thrust washer on oil pump assembly.
● **Apply petroleum jelly to thrust washer.**



- c. Carefully install seal rings into grooves and press them into the petroleum jelly so that they are a tight fit.

GI

MA

EM

LC

EC

FE

CL

MT

AT

TF

PD

FA

RA

BR

ST

RS

BT

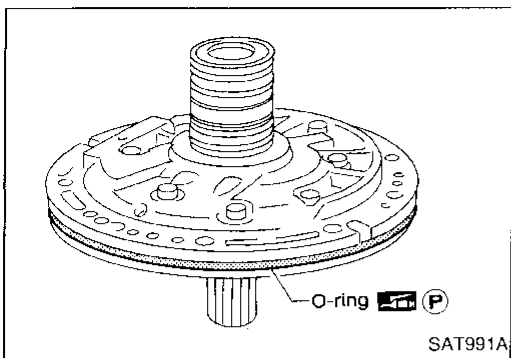
CA

EL

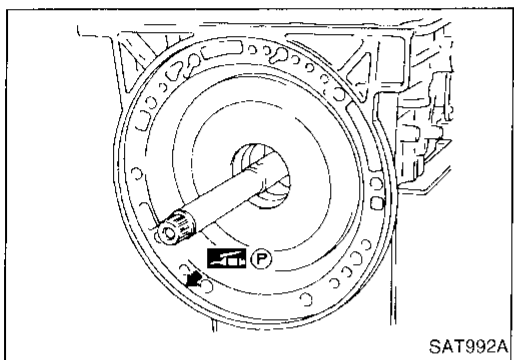
IX

ASSEMBLY

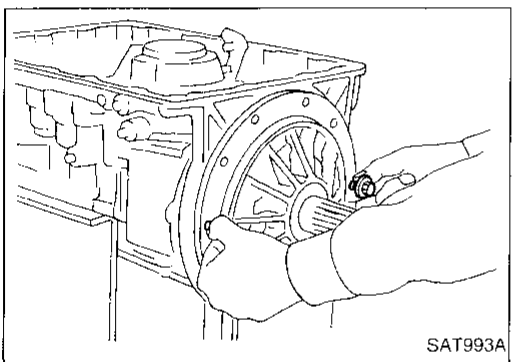
Assembly (2) (Cont'd)



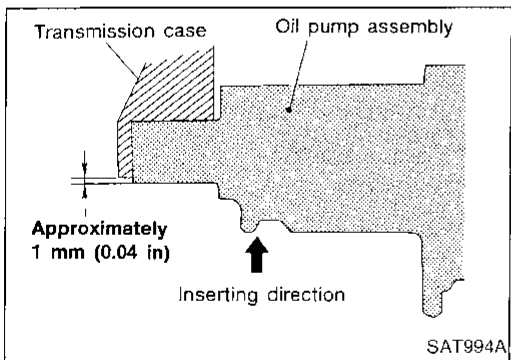
- d. Install O-ring on oil pump assembly.
- Apply petroleum jelly to O-ring.



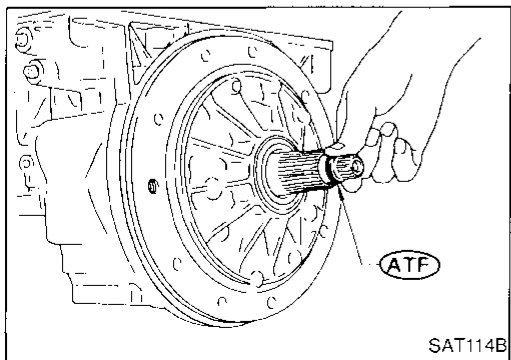
- e. Apply petroleum jelly to mating surface of transmission case and oil pump assembly.



- f. Install oil pump assembly.
- Install two converter housing securing bolts in bolt holes in oil pump assembly as guides.



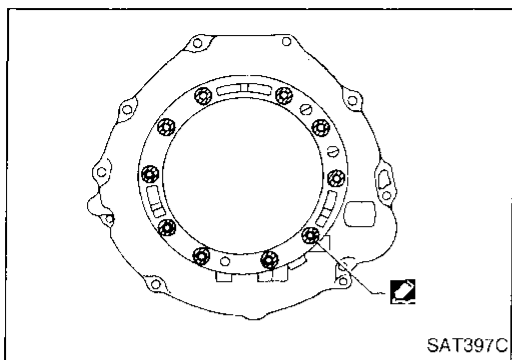
- Insert oil pump assembly to the specified position in transmission, as shown at left.



8. Install O-ring on input shaft.
- Apply ATF to O-rings.

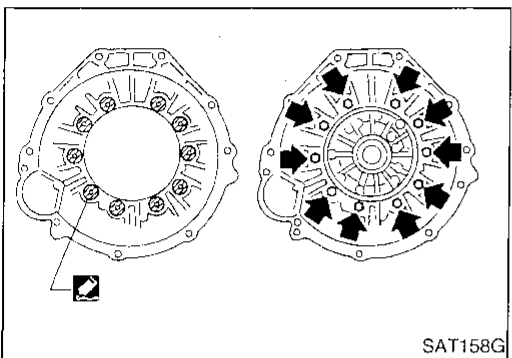
ASSEMBLY

Assembly (2) (Cont'd)

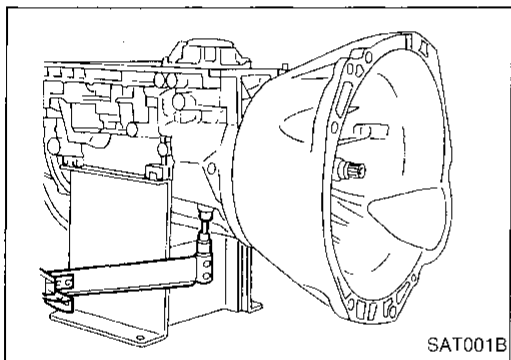


9. Install converter housing.
 - a. Apply recommended sealant (Nissan genuine part: KP610-00250 or equivalent) to outer periphery of bolt holes in converter housing.

- **Do not apply too much sealant.**




- b. Apply recommended sealant (Nissan genuine part: KP610-00250 or equivalent) to seating surfaces of bolts that secure front of converter housing.
 - c. Install converter housing on transmission case.



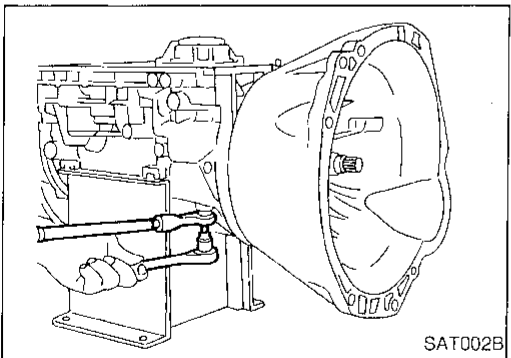
10. Adjust brake band.
 - a. Tighten anchor end bolt to specified torque.

Anchor end bolt:

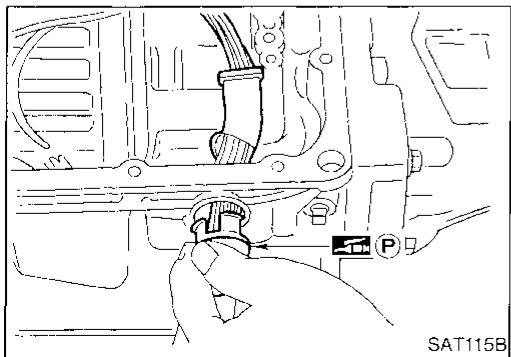
 : 4 - 6 N·m

(0.4 - 0.6 kg-m, 35 - 52 in-lb)

- b. Back off anchor end bolt two and a half turns.



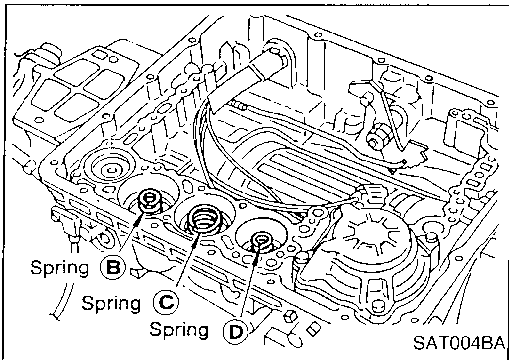
- c. While holding anchor end pin, tighten lock nut.



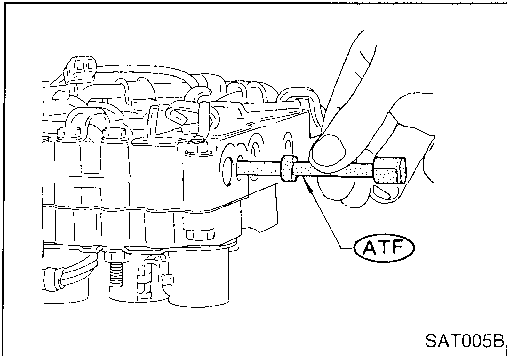
11. Install terminal cord assembly.
 - a. Install O-ring on terminal cord assembly.
 - **Apply petroleum jelly to O-ring.**
 - b. Compress terminal cord assembly stopper and install terminal cord assembly on transmission case.

ASSEMBLY

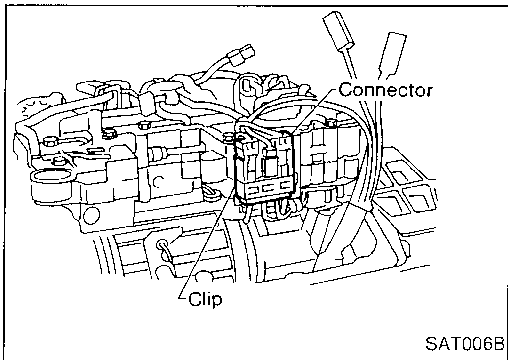
Assembly (2) (Cont'd)



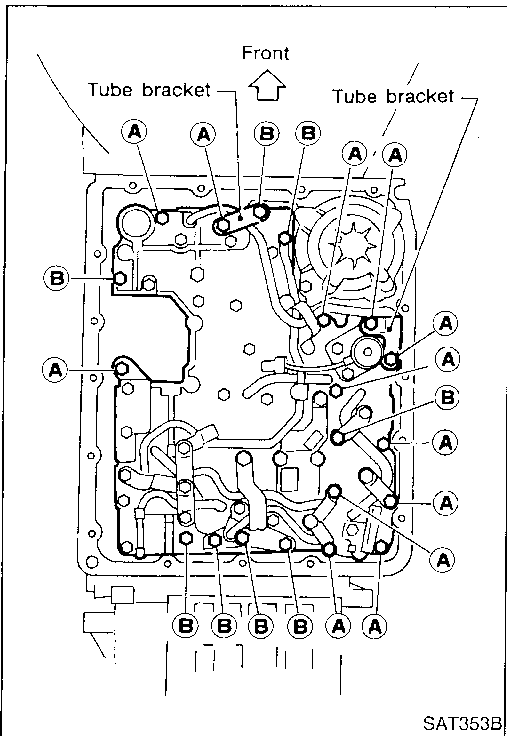
12. Install control valve assembly.
- a. Install accumulator piston return springs (B), (C) and (D).
- Free length of return springs:**
Refer to SDS, AT-215.



- b. Install manual valve on control valve.
- **Apply ATF to manual valve.**



- c. Place control valve assembly on transmission case. Connect solenoid connector for upper body.
- d. Install connector clip.

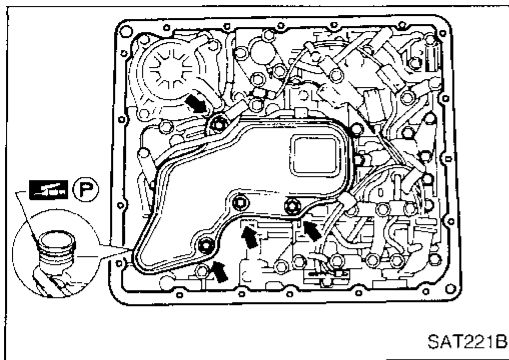


- e. Install control valve assembly on transmission case.
- f. Install connector tube brackets and tighten bolts (A) and (B).
- **Check that terminal assembly does not catch.**

Bolt symbol	ℓ mm (in)	ℓ
(A)	33 (1.30)	
(B)	45 (1.77)	

ASSEMBLY

Assembly (2) (Cont'd)



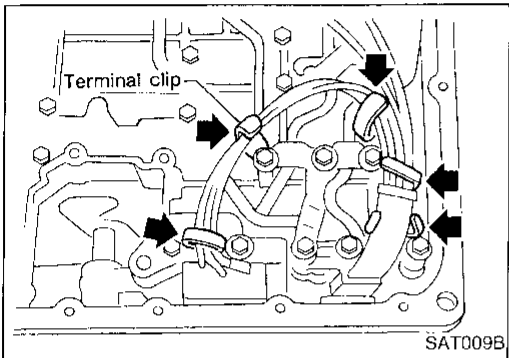
- g. Install O-ring on oil strainer.
- **Apply petroleum jelly to O-ring.**
- h. Install oil strainer on control valve.

GI

MA

EM

LC



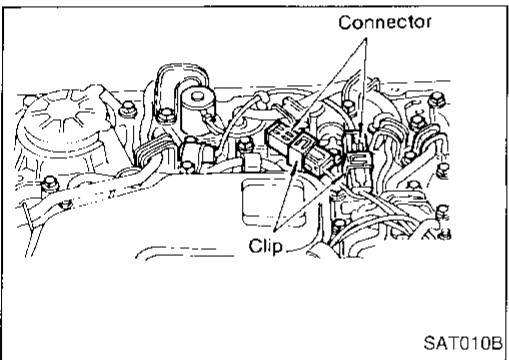
- i. Securely fasten terminal harness with clips.

EC

FE

CL

MT



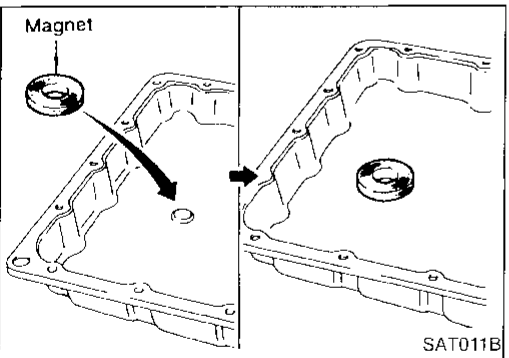
- j. Install torque converter clutch solenoid valve and fluid temperature sensor connectors.

AT

TF

PD

FA



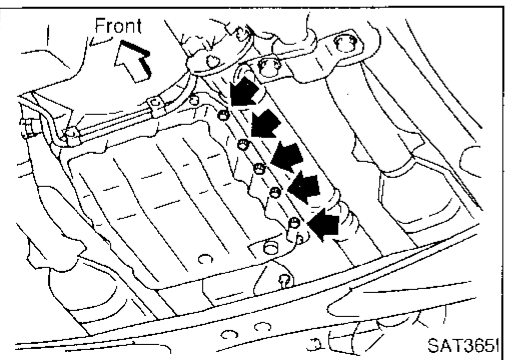
- 13. Install oil pan.
 - a. Attach a magnet to oil pan.

RA

BR

ST

RS



- b. Install new oil pan gasket on transmission case.
- c. Install oil pan and bracket on transmission case.
 - **Always replace oil pan bolts as they are self-sealing bolts.**
 - **Before installing bolts, remove traces of sealant and oil from mating surface and thread holes.**
 - **Tighten four bolts in a criss-cross pattern to prevent dislocation of gasket.**
- d. Tighten drain plug.

BT

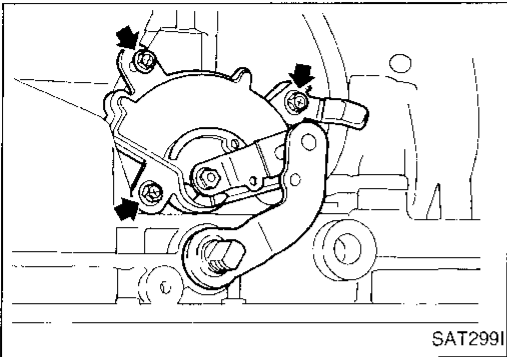
HA

FL

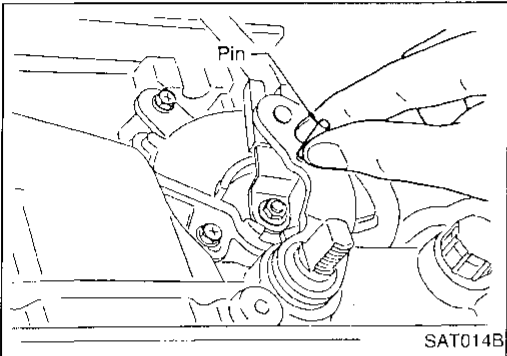
DX

ASSEMBLY

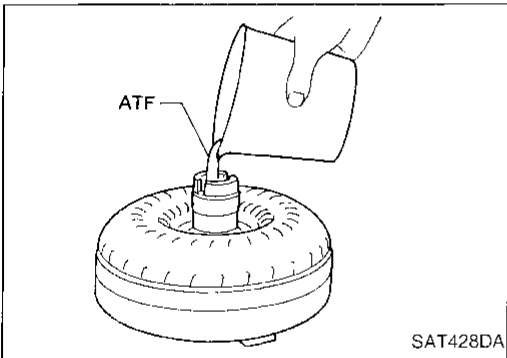
Assembly (2) (Cont'd)



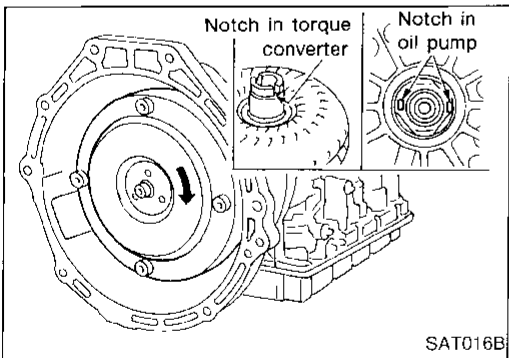
14. Install inhibitor switch.
 - a. Check that manual shaft is in "1" position.
 - b. Temporarily install inhibitor switch on manual shaft.
 - c. Move manual shaft to "N".



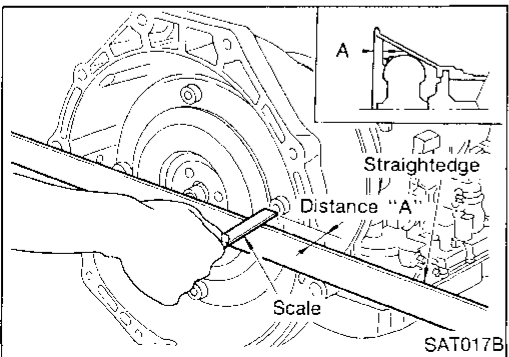
- d. Tighten bolts while inserting 4.0 mm (0.157 in) dia. pin vertically into locating holes in inhibitor switch and manual shaft.



15. Install torque converter.
 - a. Pour ATF into torque converter.
 - **Approximately 2 liters (2-1/8 US qt, 1-3/4 Imp qt) of fluid are required for a new torque converter.**
 - **When reusing old torque converter, add the same amount of fluid as was drained.**



- b. Install torque converter while aligning notches and oil pump.

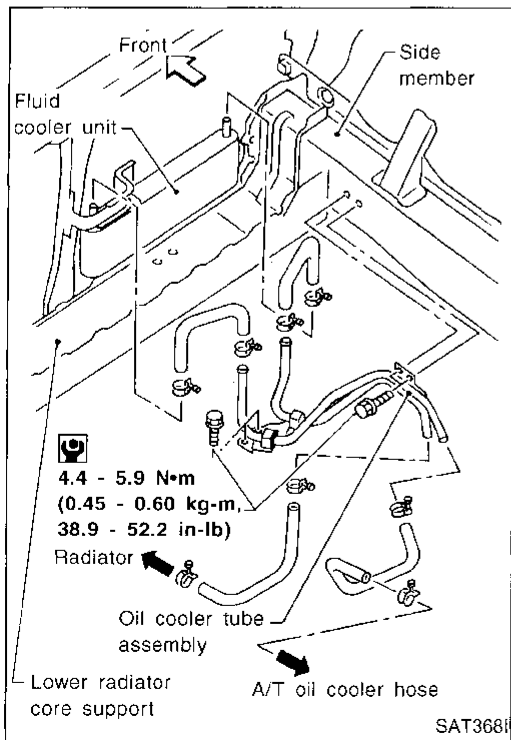
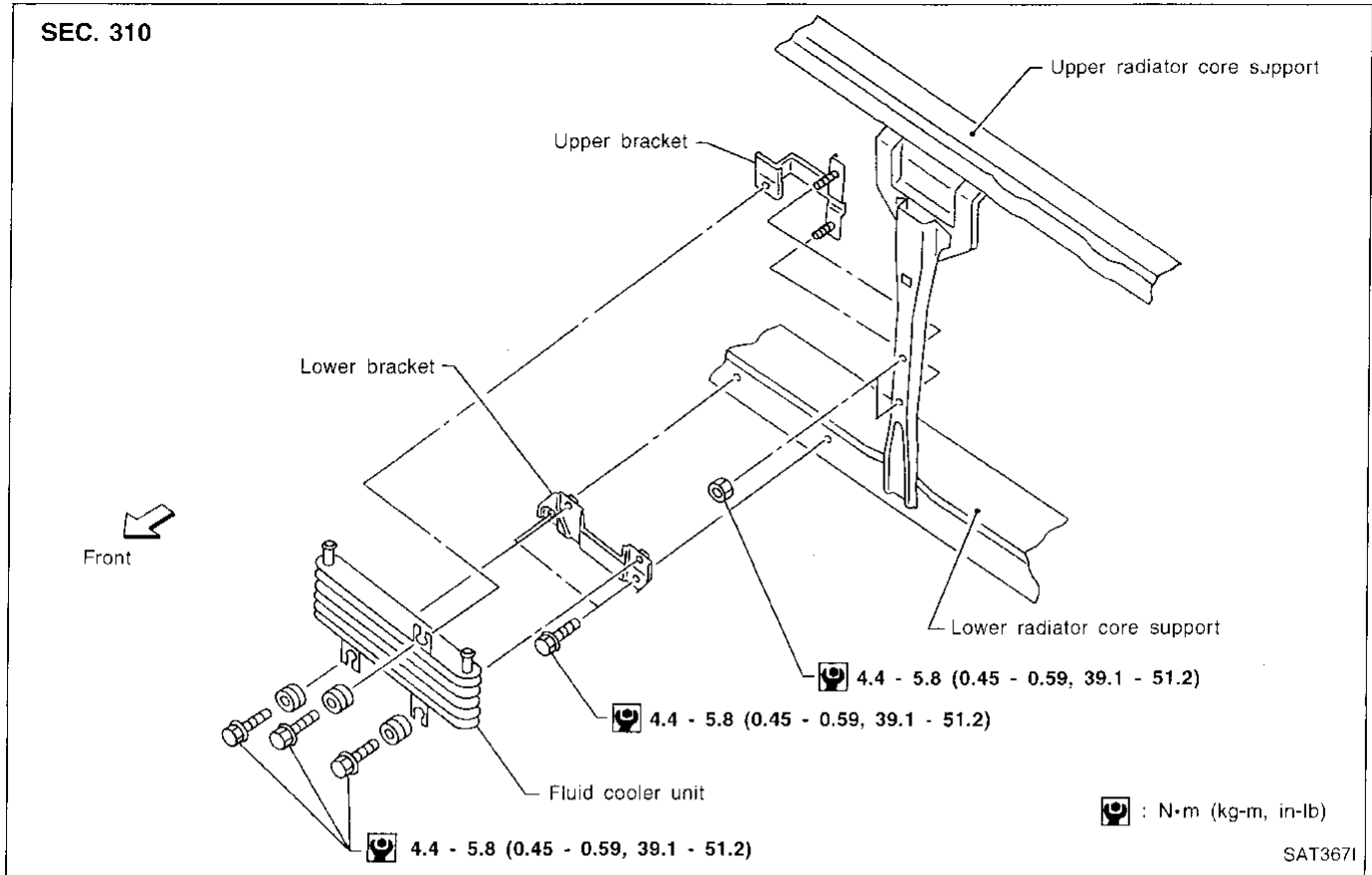


- c. Measure distance A to check that torque converter is in proper position.

Distance "A":

26.0 mm (1.024 in) or more

A/T Fluid Cooler



REMOVAL AND INSTALLATION

1. Remove front radiator grill. Refer to BT section ("BODY END").
2. Disconnect fluid hoses from fluid cooler unit.
3. Remove fluid cooler unit.
4. Remove fluid cooler bracket.
5. Remove clips securing fluid hose (cooler unit to radiator) and loosen hose clamps, then remove the fluid hose.
6. Loosen clamps securing fluid hose (A/T assembly to fluid cooler), then remove the fluid hose.
7. Remove bolts securing fluid cooler tube bracket.
8. Remove fluid hose with bracket.
- Reverse the removal procedure to install the A/T fluid cooler unit. Refer to the component drawing and specified tightening torque.
- Check A/T fluid level and refill if necessary. Refer to MA section ("CHASSIS AND BODY MAINTENANCE").

SERVICE DATA AND SPECIFICATIONS (SDS)

General Specifications

Applied model	VG33E engine	
	2WD	4WD
Automatic transmission model	RE4R01A	
Transmission model code number	44X82	44X20
Stall torque ratio	2.0 : 1	
Transmission gear ratio		
1st	2.785	
2nd	1.545	
Top	1.000	
OD	0.694	
Reverse	2.272	
Recommended oil	Nissan Matic "D" (Continental U.S. and Alaska) or Genuine Nissan Automatic Transmission Fluid (Canada)*1	
Oil capacity ℓ (US qt, Imp qt)	8.3 (8-3/4, 7-1/4)	8.5 (9, 7-1/2)

*1: Refer to MA section ("Fluids and Lubricants", "RECOMMENDED FLUIDS AND LUBRICANTS").

Specifications and Adjustment

VEHICLE SPEED WHEN SHIFTING GEARS

2WD, 4WD (Final gear ratio: 4.363) and 4WD (Final gear ratio: 4.636)

Throttle position	Vehicle speed km/h (MPH)						
	D ₁ → D ₂	D ₂ → D ₃	D ₃ → D ₄	D ₄ → D ₃	D ₃ → D ₂	D ₂ → D ₁	1 ₂ → 1 ₁
Full throttle	48 - 52 (30 - 32)	93 - 101 (58 - 63)	148 - 158 (92 - 98)	143 - 153 (89 - 95)	88 - 96 (55 - 60)	43 - 47 (27 - 29)	44 - 48 (27 - 30)
Half throttle	35 - 39 (22 - 24)	67 - 75 (42 - 47)	134 - 142 (83 - 88)	59 - 66 (37 - 41)	32 - 38 (20 - 24)	10 - 14 (6 - 9)	44 - 48 (27 - 30)

VEHICLE SPEED WHEN PERFORMING AND RELEASING LOCK-UP

2WD, 4WD (Final gear ratio: 4.363) and 4WD (Final gear ratio: 4.636)

Throttle position	Overdrive control switch [Shift position]	Vehicle speed km/h (MPH)	
		Lock-up "ON"	Lock-up "OFF"
Full throttle	ON [D ₄]	149 - 157 (93 - 98)	144 - 152 (89 - 94)
	OFF [D ₃]	93 - 101 (58 - 63)	88 - 96 (55 - 60)
Half throttle	ON [D ₄]	141 - 149 (88 - 93)	85 - 93 (53 - 58)
	OFF [D ₃]	74 - 82 (46 - 51)	71 - 79 (44 - 49)

STALL REVOLUTION

Stall revolution	rpm	2,440 - 2,690
------------------	-----	---------------

LINE PRESSURE

Engine speed rpm	Line pressure kPa (kg/cm ² , psi)	
	D, 2 and 1 positions	R position
Idle	422 - 461 (4.3 - 4.7, 61 - 67)	667 - 706 (6.8 - 7.2, 97 - 102)
Stall	1,020 - 1,098 (10.4 - 11.2, 148 - 159)	1,422 - 1,500 (14.5 - 15.3, 206 - 218)

SERVICE DATA AND SPECIFICATIONS (SDS)

Specifications and Adjustment (Cont'd)

RETURN SPRINGS

Unit: mm (in)

Parts		Item			
		Part No.	Free length	Outer diameter	
Control valve	Upper body	Torque converter relief valve spring	31742-41X23	38.0 (1.496)	9.0 (0.354)
		Pressure regulator valve spring	31742-41X24	44.02 (1.7331)	14.0 (0.551)
		Pressure modifier valve spring	31742-41X19	31.95 (1.2579)	6.8 (0.268)
		Accumulator control valve spring	—	—	—
		Shuttle shift valve D spring	31762-41X01	25.0 (0.984)	7.0 (0.276)
		4-2 sequence valve spring	31756-41X00	29.1 (1.146)	6.95 (0.2736)
		Shift valve B spring	31762-41X01	25.0 (0.984)	7.0 (0.276)
		4-2 relay valve spring	31756-41X00	29.1 (1.146)	6.95 (0.2736)
		Shift valve A spring	31762-41X01	25.0 (0.984)	7.0 (0.276)
		Overrun clutch control valve spring	31762-41X03	23.6 (0.929)	7.0 (0.276)
		Overrun clutch reducing valve spring	31742-41X20	32.5 (1.280)	7.0 (0.276)
		Shuttle shift valve S spring	31762-41X04	51.0 (2.008)	5.65 (0.2224)
		Pilot valve spring	31742-41X13	25.7 (1.012)	9.0 (0.354)
		Lock-up control valve spring	31742-41X22	18.5 (0.728)	13.0 (0.512)
		Lower body	Modifier accumulator valve spring	31742-27X70	31.4 (1.236)
		1st reducing valve spring	31756-41X05	25.4 (1.000)	6.75 (0.2657)
		3-2 timing valve spring	31742-41X06	23.0 (0.906)	6.7 (0.264)
		Servo charger valve spring	31742-41X06	23.0 (0.906)	6.7 (0.264)
Reverse clutch	16 pcs	31505-41X02	19.69 (0.7752)	11.6 (0.457)	
High clutch	16 pcs	31505-21X03	22.06 (0.8685)	11.6 (0.457)	
Forward clutch (Overrun clutch)	20 pcs	31521-41X00	35.77 (1.4083)	9.7 (0.382)	
Low & reverse brake	18 pcs	31505-41X05	22.3 (0.878)	11.6 (0.457)	
Band servo	Spring ㉠	31605-41X05	45.6 (1.795)	34.3 (1.350)	
	Spring ㉡	31605-41X00	53.8 (2.118)	40.3 (1.587)	
	Spring ㉢	31605-41X01	29.7 (1.169)	27.6 (1.087)	
Accumulator	Accumulator ㉠	31605-41X02	43.0 (1.693)	—	
	Accumulator ㉡	31605-41X10	66.0 (2.598)	—	
	Accumulator ㉢	31605-41X09	45.0 (1.772)	—	
	Accumulator ㉣	31605-41X06	58.4 (2.299)	—	

ACCUMULATOR O-RING

Accumulator	Diameter mm (in)			
	㉠	㉡	㉢	㉣
Small diameter end	29 (1.14)	32 (1.26)	45 (1.77)	29 (1.14)
Large diameter end	45 (1.77)	50 (1.97)	50 (1.97)	45 (1.77)

SERVICE DATA AND SPECIFICATIONS (SDS)

Specifications and Adjustment (Cont'd)

CLUTCHES AND BRAKES

Code number		44X82	44X20
Reverse clutch			
Number of drive plates		2	
Number of driven plates		2	
Thickness of drive plate mm (in)	Standard	1.90 - 2.05 (0.0748 - 0.0807)	
	Wear limit	1.80 (0.0709)	
Clearance mm (in)	Standard	0.5 - 0.8 (0.020 - 0.031)	
	Allowable limit	1.2 (0.047)	
Thickness of retaining plate	Thickness mm (in)	Part number	
	4.8 (0.189)	31537-42X02	
	5.0 (0.197)	31537-42X03	
	5.2 (0.205)	31537-42X04	
	5.4 (0.213)	31537-42X05	
	5.6 (0.220)	31537-42X06	
High clutch			
Number of drive plates		5	
Number of driven plates		5	
Thickness of drive plate mm (in)	Standard	1.52 - 1.67 (0.0598 - 0.0657)	
	Wear limit	1.40 (0.0551)	
Clearance mm (in)	Standard	1.8 - 2.2 (0.071 - 0.087)	
	Allowable limit	2.8 (0.110)	
Thickness of retaining plate	Thickness mm (in)	Part number	
	3.4 (0.134)	31537-41X71	
	3.6 (0.142)	31537-41X61	
	3.8 (0.150)	31537-41X62	
	4.0 (0.157)	31537-41X63	
	4.2 (0.165)	31537-41X64	
	4.4 (0.173)	31537-41X65	
	4.6 (0.181)	31537-41X66	
	4.8 (0.189)	31537-41X67	
Forward clutch			
Number of drive plates		6	
Number of driven plates		6	
Thickness of drive plate mm (in)	Standard	1.52 - 1.67 (0.0598 - 0.0657)	
	Wear limit	1.40 (0.0551)	
Clearance mm (in)	Standard	0.45 - 0.85 (0.0177 - 0.0335)	
	Allowable limit	1.85 (0.0728)	
Thickness of retaining plate	Thickness mm (in)	Part number	
	8.0 (0.315)	31537-41X00	
	8.2 (0.323)	31537-41X01	
	8.4 (0.331)	31537-41X02	
	8.6 (0.339)	31537-41X03	
	8.8 (0.346)	31537-41X04	
	9.2 (0.362)	31537-41X06	

Code number		44X82	44X20
Overrun clutch			
Number of drive plates		3	
Number of driven plates		5	
Thickness of drive plate mm (in)	Standard	1.90 - 2.05 (0.0748 - 0.0807)	
	Wear limit	1.80 (0.0709)	
Clearance mm (in)	Standard	1.0 - 1.4 (0.039 - 0.055)	
	Allowable limit	2.0 (0.079)	
Thickness of retaining plate	Thickness mm (in)	Part number	
	4.2 (0.165)	31537-41X80	
	4.4 (0.173)	31537-41X81	
	4.6 (0.181)	31537-41X82	
	4.8 (0.189)	31537-41X83	
	5.0 (0.197)	31537-41X84	
Low & reverse brake			
Number of drive plates		7	
Number of driven plates		7	
Thickness of drive plate mm (in)	Standard	1.90 - 2.05 (0.0748 - 0.0807)	
	Wear limit	1.80 (0.0709)	
Clearance mm (in)	Standard	0.7 - 1.1 (0.028 - 0.043)	
	Allowable limit	2.3 (0.091)	
Thickness of retaining plate	Thickness mm (in)	Part number	
	6.8 (0.268)	31667-41X11	
	7.0 (0.276)	31667-41X12	
	7.2 (0.283)	31667-41X13	
	7.4 (0.291)	31667-41X14	
	7.6 (0.299)	31667-41X07	
	7.8 (0.307)	31667-41X08	
	8.0 (0.315)	31667-41X00	
	8.2 (0.323)	31667-41X01	
	8.4 (0.331)	31667-41X02	
	8.6 (0.339)	31667-41X03	
8.8 (0.346)	31667-41X04		
9.0 (0.354)	31667-41X05		
Brake band			
Anchor end bolt tightening torque		4 - 6 (0.4 - 0.6, 35 - 52)	
		N·m (kg·m, in·lb)	
Number of returning revolution for anchor end bolt		2.5	

SERVICE DATA AND SPECIFICATIONS (SDS)

Specifications and Adjustment (Cont'd)

OIL PUMP AND LOW ONE-WAY CLUTCH

Oil pump clearance	mm (in)	
Cam ring — oil pump housing		
Standard		0.01 - 0.024 (0.0004 - 0.0009)
Rotor, vanes and control piston — oil pump housing		
Standard		0.03 - 0.044 (0.0012 - 0.0017)
Seal ring clearance	mm (in)	
Standard		0.10 - 0.25 (0.0039 - 0.0098)
Allowable limit		0.25 (0.0098)

TOTAL END PLAY

Total end play "T ₁ "	0.25 - 0.55 mm (0.0098 - 0.0217 in)	
Thickness of oil pump cover bearing race	Thickness mm (in)	Part number
	0.8 (0.031)	31435-41X01
	1.0 (0.039)	31435-41X02
	1.2 (0.047)	31435-41X03
	1.4 (0.055)	31435-41X04
	1.6 (0.063)	31435-41X05
	1.8 (0.071)	31435-41X06
2.0 (0.079)	31435-41X07	

REVERSE CLUTCH DRUM END PLAY

Reverse clutch drum end play "T ₂ "	0.55 - 0.90 mm (0.0217 - 0.0354 in)	
Thickness of oil pump thrust washer	Thickness mm (in)	Part number
	0.9 (0.035)	31528-21X01
	1.1 (0.043)	31528-21X02
	1.3 (0.051)	31528-21X03
	1.5 (0.059)	31528-21X04
	1.7 (0.067)	31528-21X05
1.9 (0.075)	31528-21X06	

REMOVAL AND INSTALLATION

Manual control linkage	
Number of returning revolutions for lock nut	2
Lock nut tightening torque N·m (kg-m, in-lb)	4.4 - 5.9 (0.45 - 0.60, 39.1 - 52.1)
Distance between end of clutch housing and torque converter mm (in)	26.0 (1.024) or more

GI

MA

EM

LC

EC

FE

CL

MT

AT

TF

PD

FA

RA

BR

ST

RS

BT

HA

EL

IDX