

## SECTION **BT**

### CONTENTS

<b>PRECAUTIONS</b> .....	2	Roof Trim .....	18
Service Notice.....	2	Back Door Trim.....	19
Supplemental Restraint System (SRS) "AIR BAG".....	2	<b>EXTERIOR</b> .....	20
<b>GENERAL SERVICING</b> .....	3	<b>SEAT</b> .....	26
Clip and Fastener .....	3	Front Seat.....	26
<b>BODY END</b> .....	5	Heated Seat.....	28
Body Front End.....	5	Rear Seat.....	29
Body Rear End and Opener.....	7	<b>SUNROOF</b> .....	30
<b>DOOR</b> .....	9	<b>WINDSHIELD AND WINDOWS</b> .....	34
Front Door.....	9	Windshield .....	34
Rear Door .....	10	Rear Side Window.....	35
<b>INSTRUMENT PANEL</b> .....	11	<b>MIRROR</b> .....	36
<b>INTERIOR TRIM</b> .....	15	Door Mirror.....	36
Side and Floor Trim .....	15	<b>BODY ALIGNMENT</b> .....	37
Door Trim .....	17	Engine Compartment.....	37
		Underbody .....	39

- ★ For seat belt, refer to MA and RS section.
- ★ For wiring diagrams of body electrical systems, refer to EL section.

GI  
MA  
EM  
LC  
EC  
FE  
CL  
MT  
AT  
TF  
PD  
FA  
RA  
BR  
ST  
RS  
**BT**  
HA  
EL  
IDX

## PRECAUTIONS

---

### Service Notice

- When removing or installing various parts, place a cloth or padding onto the vehicle body to prevent scratches.
- Handle trim, molding, instruments, grille, etc. carefully during removing or installing. Be careful not to soil or damage them.
- Apply sealing compound where necessary when installing parts.
- When applying sealing compound, be careful that the sealing compound does not protrude from parts.
- When replacing any metal parts (for example body outer panel, members, etc.), be sure to take rust prevention measures.

### Supplemental Restraint System (SRS) “AIR BAG”

The Supplemental Restraint System “Air Bag”, used along with a seat belt, helps to reduce the risk or severity of injury to the driver and front passenger in a frontal collision. The Supplemental Restraint System consists of air bag modules (located in the center of the steering wheel and on the instrument panel on the passenger side), a diagnosis sensor unit, warning lamp, wiring harness and spiral cable. Information necessary to service the system safely is included in the **RS section** of this Service Manual.

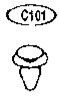
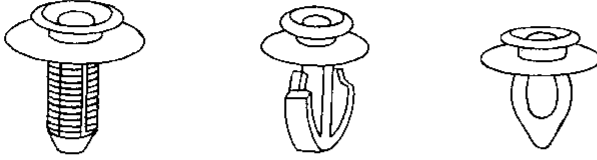
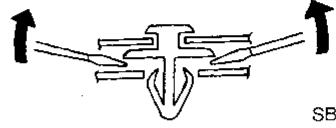

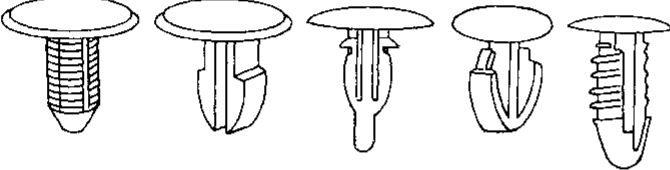
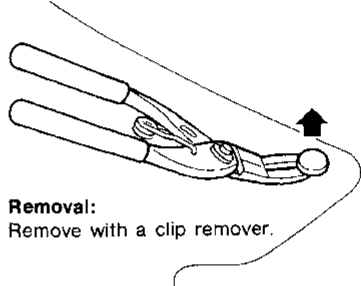

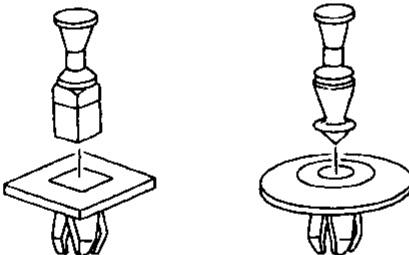
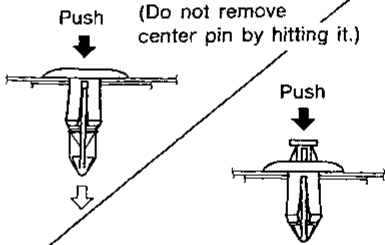

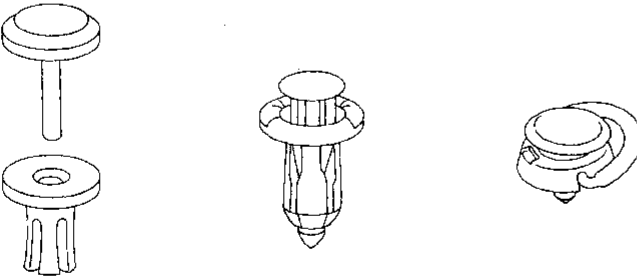
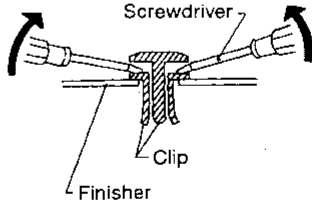
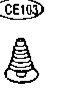
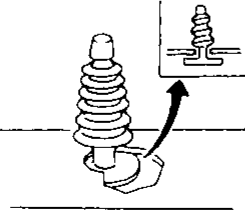
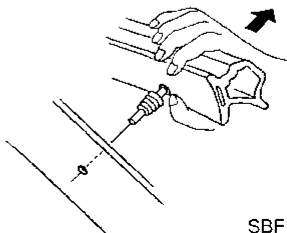
#### **WARNING:**

- **To avoid rendering the SRS inoperative, which could increase the risk of personal injury or death in the event of a collision which would result in air bag inflation, all maintenance must be performed by an authorized NISSAN dealer.**
- **Improper maintenance, including incorrect removal and installation of the SRS, can lead to personal injury caused by unintentional activation of the system.**
- **Do not use electrical test equipment on any circuit related to the SRS unless instructed to in this Service Manual. SRS wiring harnesses are covered with yellow insulation either just before the harness connectors or for the complete harness, for easy identification.**

# GENERAL SERVICING

## Clip and Fastener


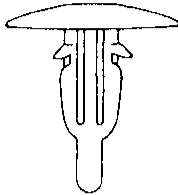
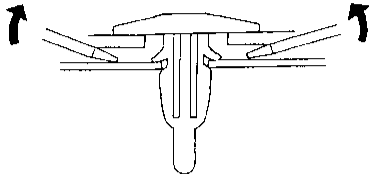

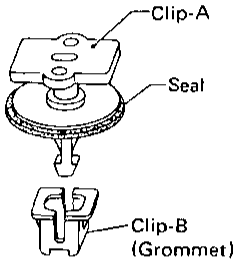
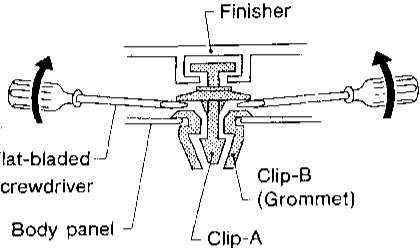

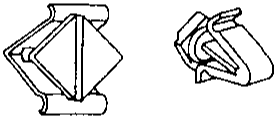
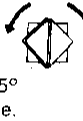
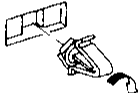
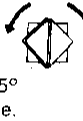
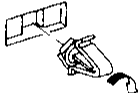
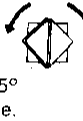
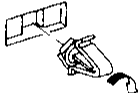

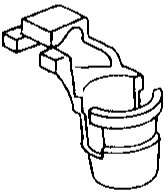
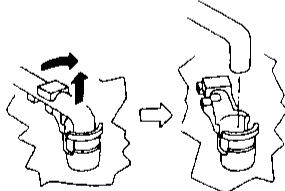
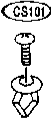
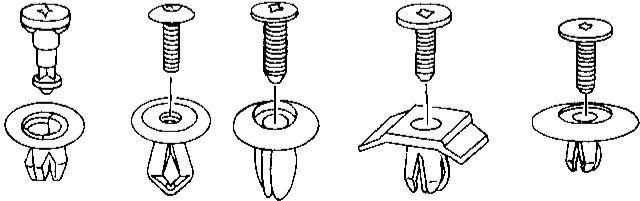
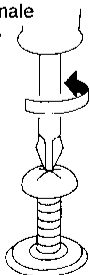
- Clips and fasteners in BT section correspond to the following numbers and symbols.
- Replace any clips and/or fasteners which are damaged during removal or installation.

Symbol No.	Shapes	Removal & Installation
	 <p style="text-align: right;">SBF302H</p>	<p><b>Removal:</b> Remove by bending up with flat-bladed screwdrivers or clip remover.</p>  <p style="text-align: right;">SBF367BA</p>
	 <p style="text-align: right;">SBF303H</p>	 <p><b>Removal:</b> Remove with a clip remover.</p> <p style="text-align: right;">SBF423H</p>
	 <p style="text-align: right;">SBF258G</p>	<p>Push center pin to catching position. (Do not remove center pin by hitting it.)</p>  <p><b>Installation:</b></p> <p style="text-align: right;">SBF708E</p>
	 <p style="text-align: right;">MBT080A</p>	<p><b>Removal:</b></p>  <p style="text-align: right;">SBF638C</p>
	 <p style="text-align: right;">SBF104B</p>	<p><b>Removal:</b></p>  <p style="text-align: right;">SBF147B</p>

GI  
MA  
EM  
LC  
EC  
FE  
CL  
MT  
AT  
TF  
PD  
FA  
RA  
BR  
ST  
RS  
BT  
HA  
EL  
IDX

# GENERAL SERVICING

## Clip and Fastener (Cont'd)

Symbol No.	Shapes	Removal & Installation		
		<p><b>Removal:</b> Remove with a flat-bladed screwdriver or pliers.</p> 		
		<p><b>Removal:</b></p> 		
		<table border="0" style="width: 100%;"> <tr> <td style="width: 50%; vertical-align: top;"> <p><b>Removal:</b></p>  </td> <td style="width: 50%; vertical-align: top;"> <p><b>Installation:</b></p>  </td> </tr> </table>	<p><b>Removal:</b></p> 	<p><b>Installation:</b></p> 
<p><b>Removal:</b></p> 	<p><b>Installation:</b></p> 			
		<p><b>Removal:</b> Holder portion of clip must be spread out to remove rod.</p> 		
		<p><b>Removal:</b></p> <ol style="list-style-type: none"> <li>1. Screw out with a Phillips screwdriver.</li> <li>2. Remove female portion with flat-bladed screwdriver.</li> </ol> 		

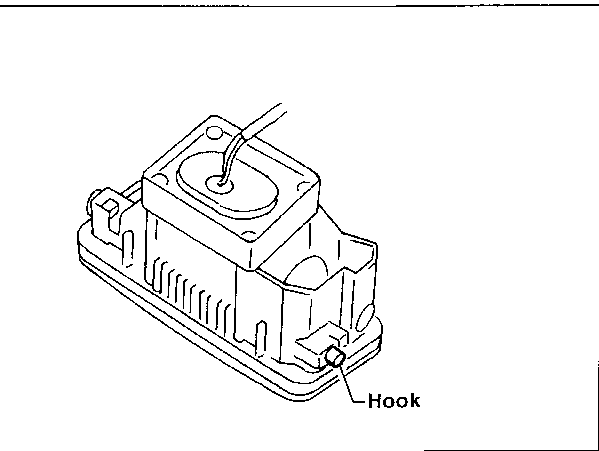
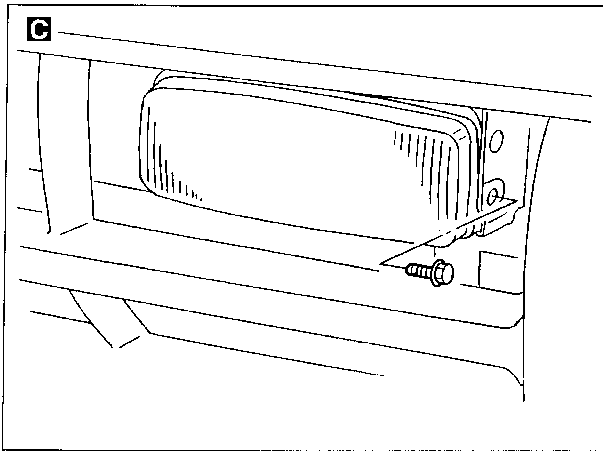
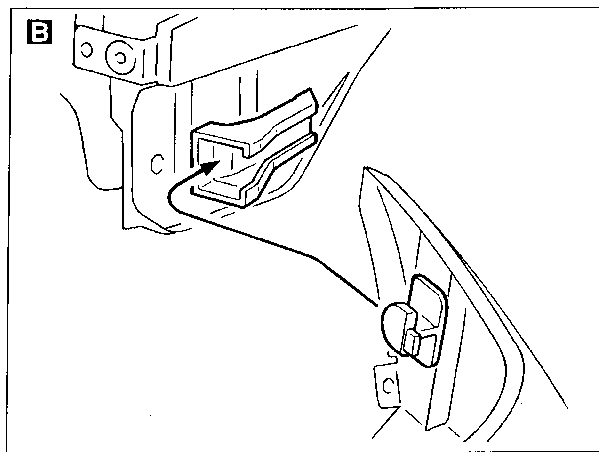
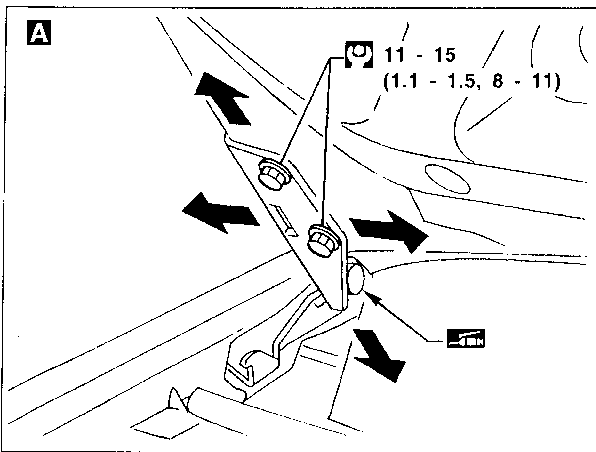
# BODY END

## Body Front End

- When removing or installing hood, place a cloth or other padding on front fender panel and cowl top. This prevents vehicle body from being scratched.
- Bumper fascia is made of plastic. Do not use excessive force and be sure to keep oil away from it.
- Hood adjustment: Adjust at hinge portion.
- Hood lock adjustment: After adjusting, check hood lock control operation. Apply a coat of grease to hood locks engaging mechanism.
- Hood opener: Do not attempt to bend cable forcibly. Doing so increases effort required to unlock hood.

### REMOVAL — Front bumper assembly

- ① Remove bolts securing left and right side combination lamps and remove the lamps.
- ② Remove clips (C6707) and bolts securing radiator grille and remove the radiator grille.
- ③ Remove clips (C205) and screws securing left and right sides of fender protector.
- ④ Remove screws securing left and right turn signal lamps and remove the lamps.
- ⑤ Remove bolts and nuts securing bumper assembly.
- ⑥ Extract bumper assembly.



$\text{11 - 15}$  : N·m (kg-m, ft-lb)

SBT266

BT

HA

EL

IOX

# BODY END

## Body Front End (Cont'd)

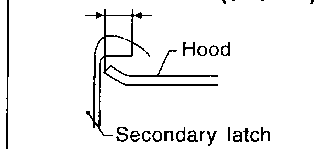
### SEC. 260•261•262•620•623•630•650

#### Hood lock adjustment

- Adjust hood so that hood primary lock meshes at a position 1 to 1.5 mm (0.039 to 0.059 in) lower than fender.
- After hood lock adjustment, adjust bumper rubber.
- When securing hood lock, ensure it does not tilt. Striker must be positioned at the center of hood primary lock.
- After adjustment, ensure that hood primary and secondary lock operate properly.

#### Hood lock secondary latch hooking length

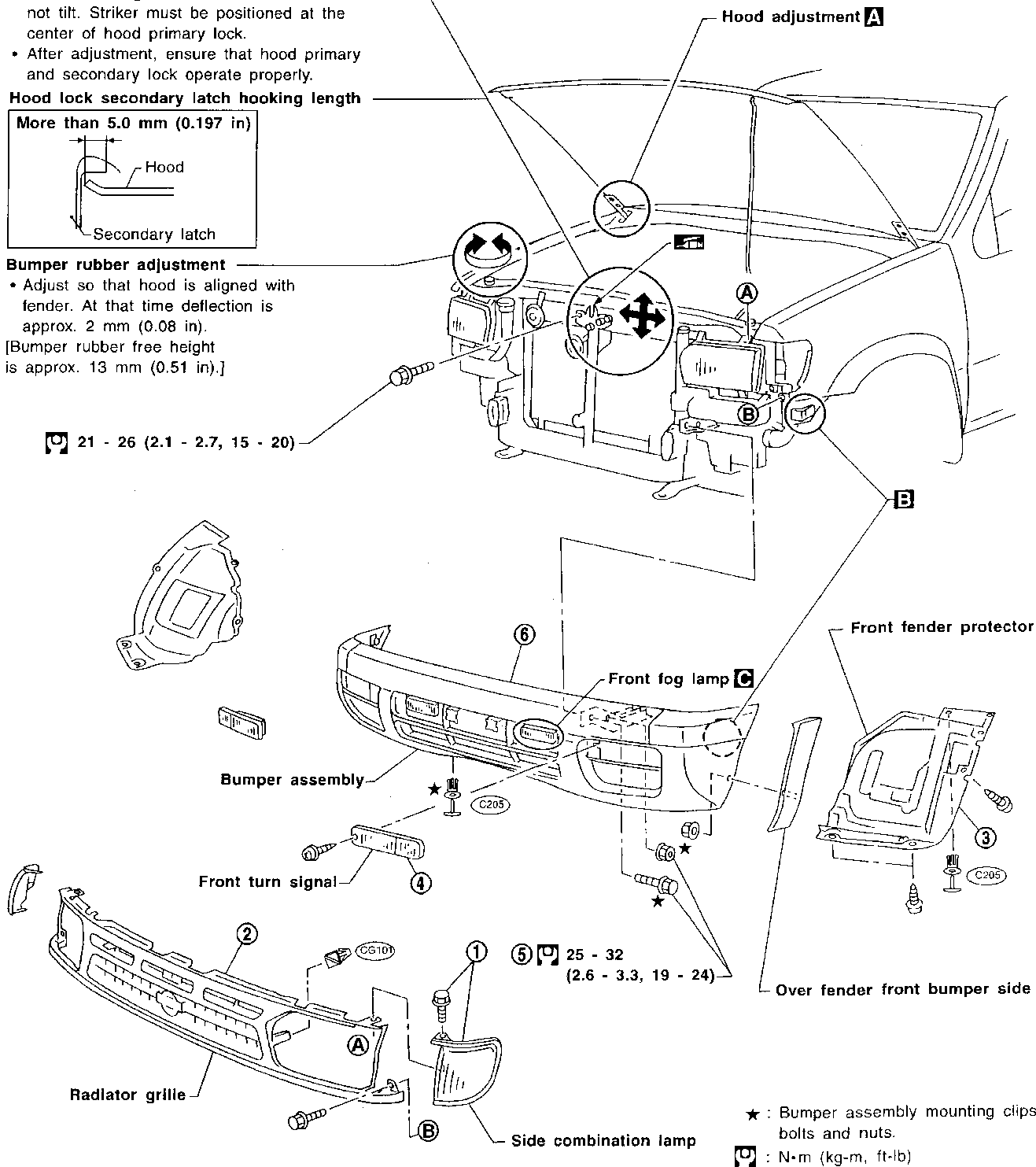
More than 5.0 mm (0.197 in)



#### Bumper rubber adjustment

- Adjust so that hood is aligned with fender. At that time deflection is approx. 2 mm (0.08 in).

[Bumper rubber free height is approx. 13 mm (0.51 in).]



## Body Rear End and Opener

- Bumper fascia is made of plastic. Do not use excessive force and be sure to keep oil away from it.
- Back door lock system adjustment: Adjust lock & striker so that they are in the center.  
After adjustment, check back door lock operation.
- Back door hatch lock system adjustment: Adjust lock & striker so that they are in the center.  
After adjustment, check back door hatch lock operation.
- Opener cable: Do not attempt to bend cable using excessive force.
- After installation, make sure that back door and fuel filler lid open smoothly.

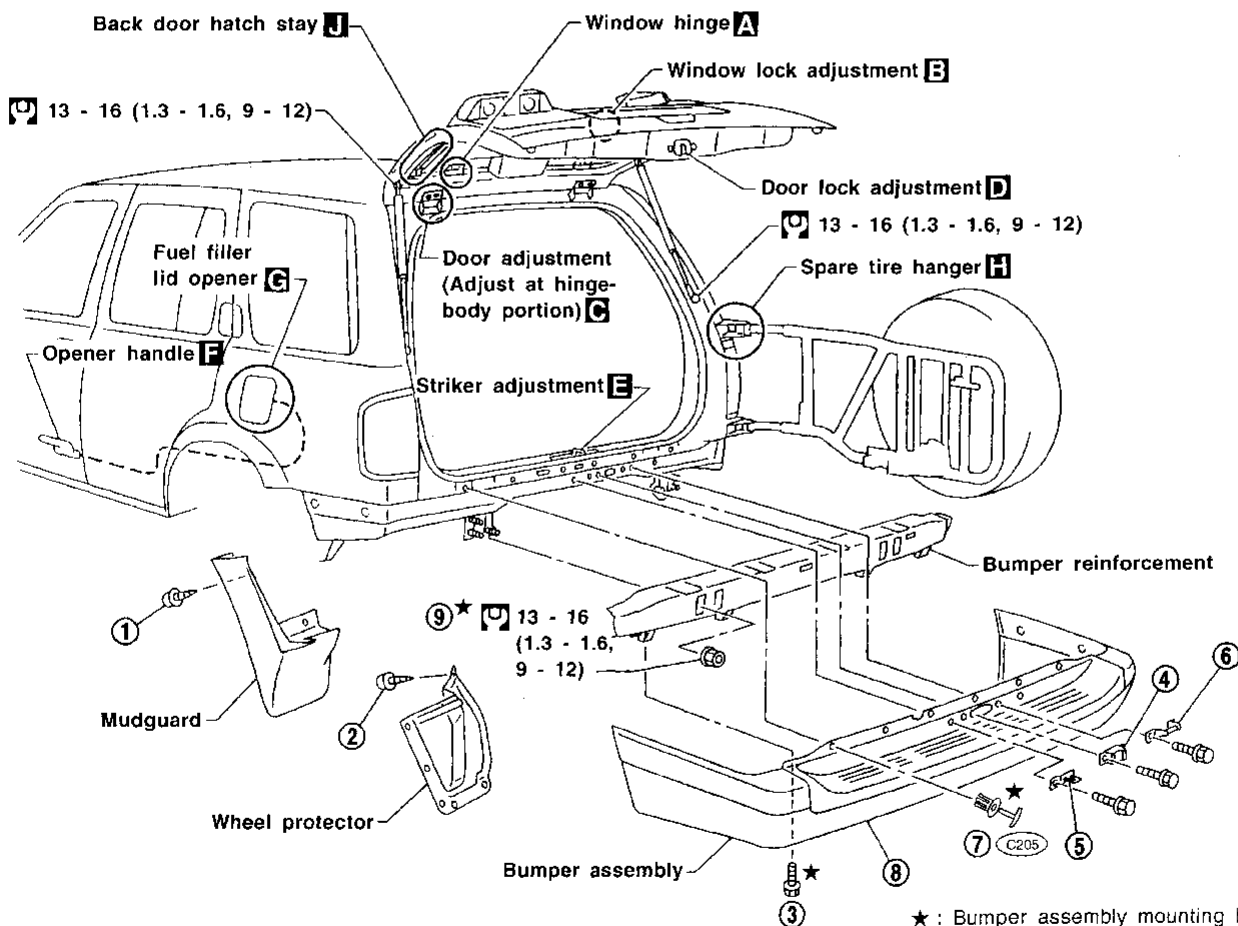
### WARNING:

- Be careful not to scratch back door stay and/or back door hatch stay when installing back door and/or back door hatch. A scratched stay may cause gas leakage.
- The contents of the back door stay and back door hatch stay are under pressure. Do not take apart, puncture, apply heat or allow fire near them.

### REMOVAL — Rear bumper assembly

- ① Remove screws securing left and right mudguards and remove the mudguards.
- ② Remove clips (C103) and screws securing left and right sides of wheel protector.
- ③ Remove bolts from lower side of bumper assembly.
- ④ Remove bolts securing bumper rubber assembly.
- ⑤ Remove bolts securing spare tire hanger striker assembly.
- ⑥ Remove bolts securing spare tire hanger guide assembly.
- ⑦ Remove clips (C205) from upper side of bumper assembly.
- ⑧ Extract bumper assembly.
- ⑨ Remove nuts securing bumper reinforcement and remove the bumper reinforcement.

SEC. 570•767•850•900•905



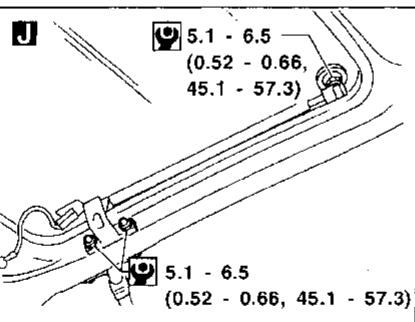
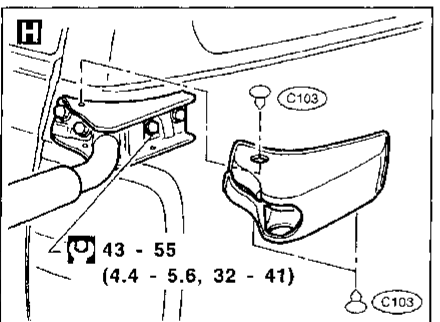
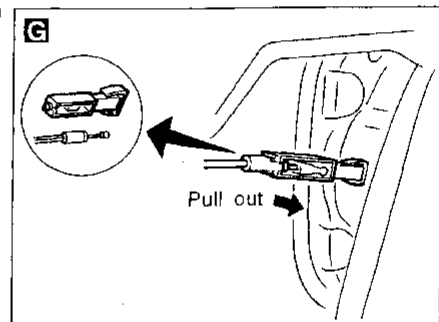
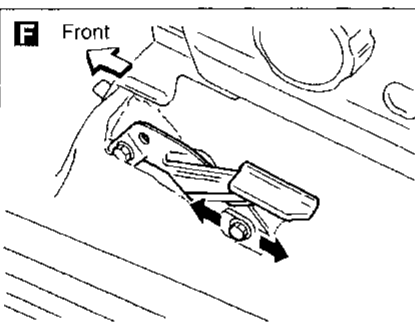
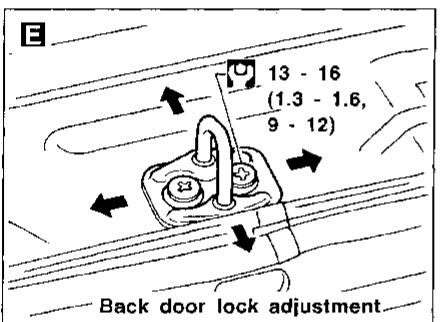
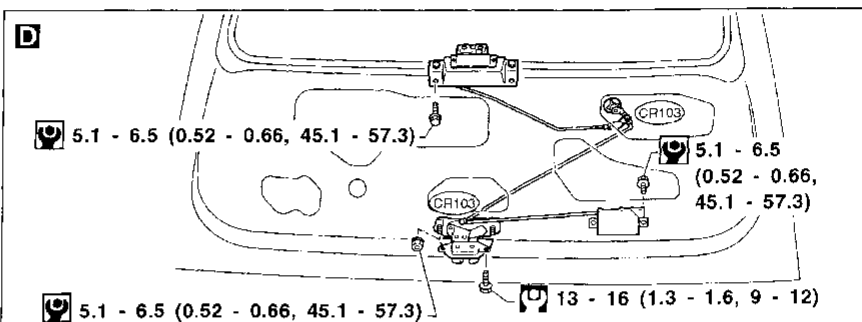
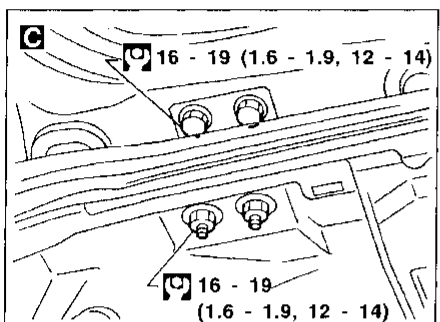
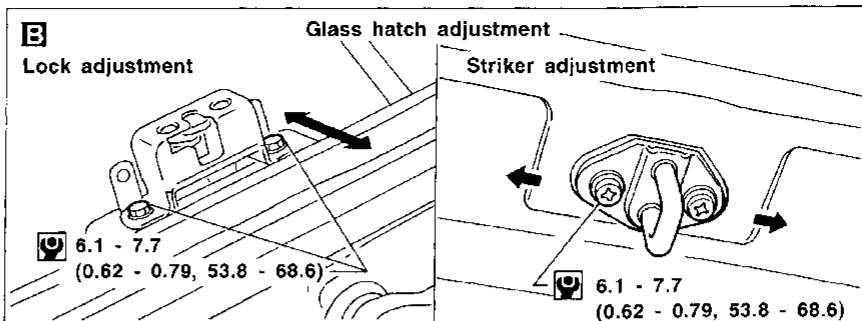
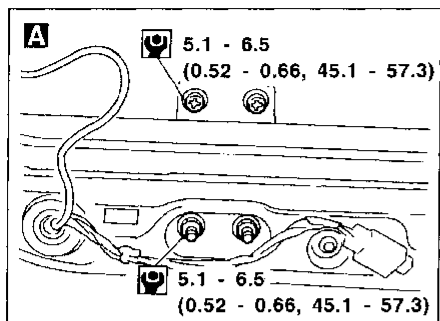
★ : Bumper assembly mounting bolts, nuts and clips.

Ⓞ : N·m (kg-m, ft-lb)

SBT200

# BODY END

## Body Rear End and Opener (Cont'd)



- : N·m (kg-m, in-lb)
- : N·m (kg-m, ft-lb)

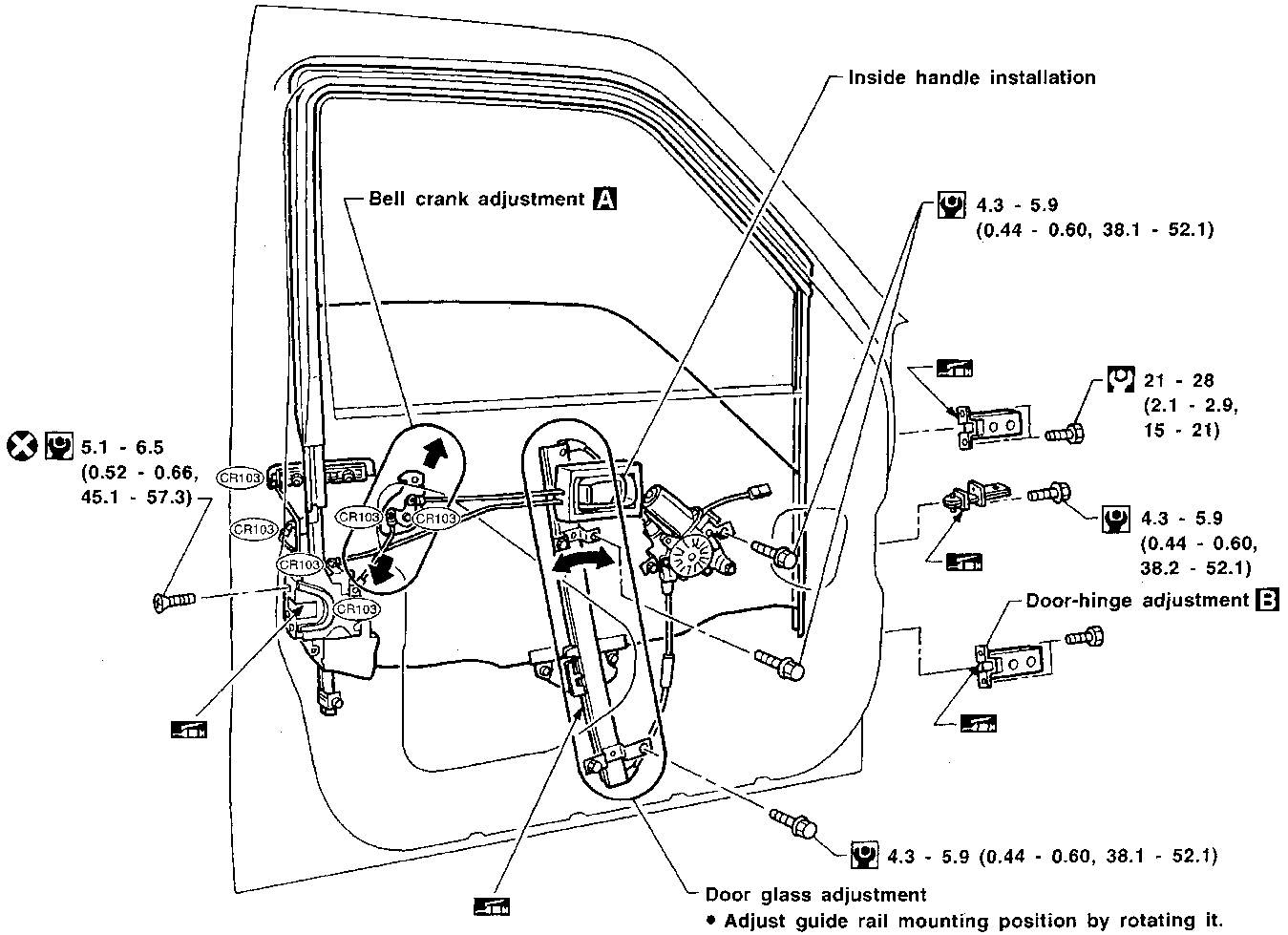


# DOOR

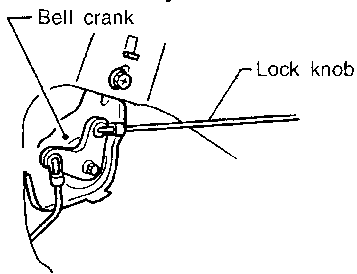
## Front Door

- For removal of door trim, refer to "Door Trim" in "INTERIOR TRIM" (BT-17).
- After adjusting door or door lock, check door lock operation.

SEC. 800•803•805•998

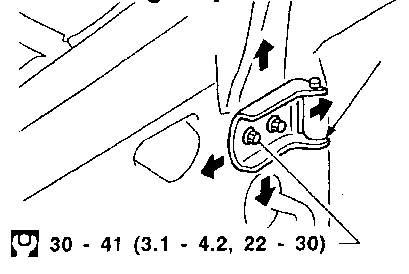


### A Bell crank adjustment



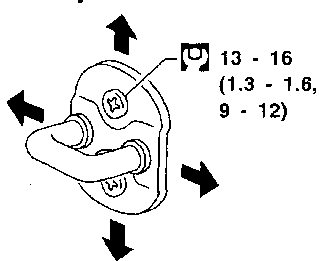
Lock door after setting door lock assembly and inside handle in position. Move bell crank in direction of arrow (shown in figure at left) to take up knob free play, and secure with bolts.

### B Door-hinge adjustment



30 - 41 (3.1 - 4.2, 22 - 30) N·m (kg-m, in-lb)

### Striker adjustment



13 - 16 (1.3 - 1.6, 9 - 12) N·m (kg-m, in-lb)

☐ : N·m (kg-m, in-lb)

⊙ : N·m (kg-m, ft-lb)

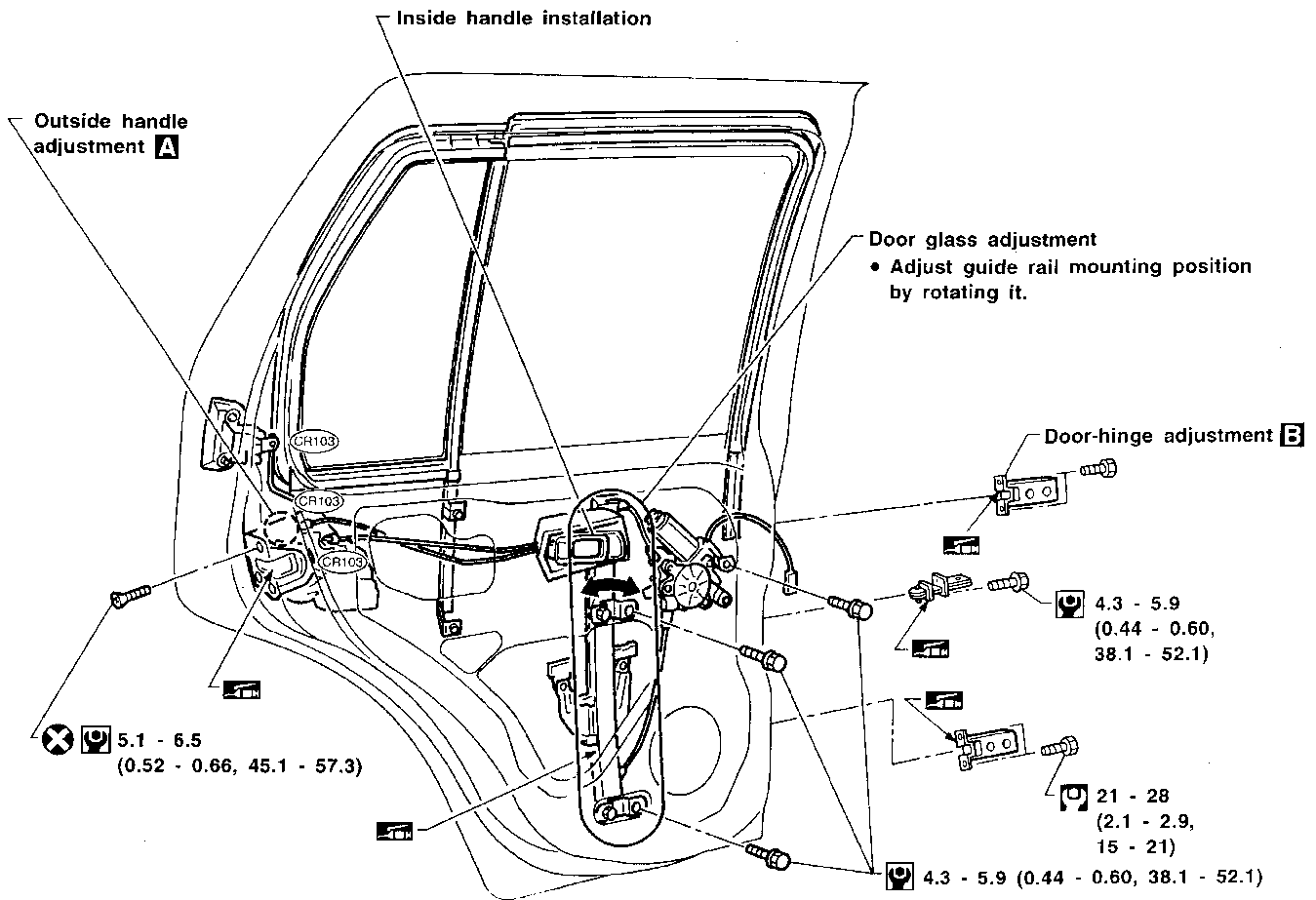
SBT202

GI  
MA  
EM  
LC  
EC  
FE  
CL  
MT  
AT  
TF  
PD  
FA  
RA  
BR  
ST  
RS  
BT  
HA  
EL  
IDX

# DOOR

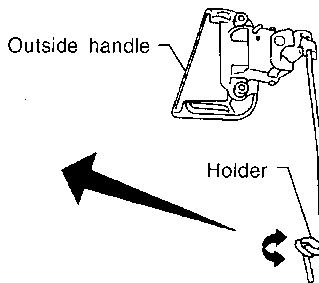
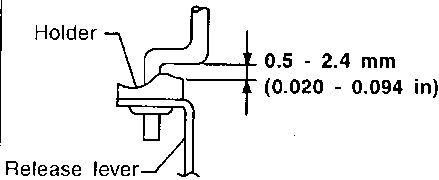
## Rear Door

SEC. 820•823•825

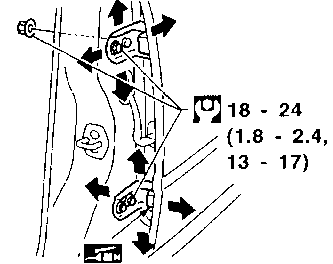


### A Outside handle adjustment

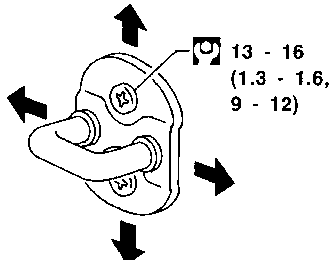
Turn holder until the clearance between holder & rod is the specified value.



### B Door-hinge adjustment



### Striker adjustment



: N•m (kg-m, in-lb)  
 : N•m (kg-m, ft-lb)

# INSTRUMENT PANEL

## CAUTION:

- Disconnect both battery cables in advance.
- Disconnect air bag system line in advance.
- Never tamper with or force air bag lid open, as this may adversely affect air bag performance.
- Be careful not to scratch pad and other parts.

## REMOVAL — Instrument panel assembly

Instrument panel assembly	Combination meter	Audio & A/C control	Console box
Remove air bag module (driver) and steering wheel. Refer to "SUPPLEMENTAL RESTRAINT SYSTEM" in RS section for details.			
① Steering column cover and combination switch ● Remove screws.			
② Dash side lower finisher ● Refer to "Side and Floor Trim" in "INTERIOR TRIM" for details, BT-15.			
③ Instrument lower panel on driver side ● Remove screws then disconnect harness connectors.			
④ Cluster lid A ● Remove screws.			
⑤ Combination meter ● Remove screws then disconnect harness connectors.			
⑥ Cluster lid C ● Remove screws then disconnect harness connectors.			
⑦ Audio assembly ● Remove screws.			
⑧ A/C control unit ● Remove screws then disconnect harness connectors and cable.			
⑨ Ashtray ● Pull the ashtray up.			
⑩ A/T shifter or M/T shift lever boots ● Remove screw then disconnect harness connector.			
⑪ Console box ● Remove screw then disconnect harness connector.			
⑫ Glove box ● Remove clips. ● Then disconnect passenger air bag module connector.			
⑬ Instrument lower panel on passenger side ● Remove screws then disconnect harness connector. ● Then remove passenger air bag module bracket. Refer to "SUPPLEMENTAL RESTRAINT SYSTEM" in RS section for details.			

↓  
Ⓐ

GI  
MA  
EM  
LC  
EC  
FE  
CL  
MT  
AT  
TF  
PD  
FA  
RA  
BR  
ST  
RS  
BT  
HA  
EL  
IDX

# INSTRUMENT PANEL

---

Ⓐ  
↓

- ⑭ Instrument lower center panel
- Remove screws.

- ⑮ Defroster grille

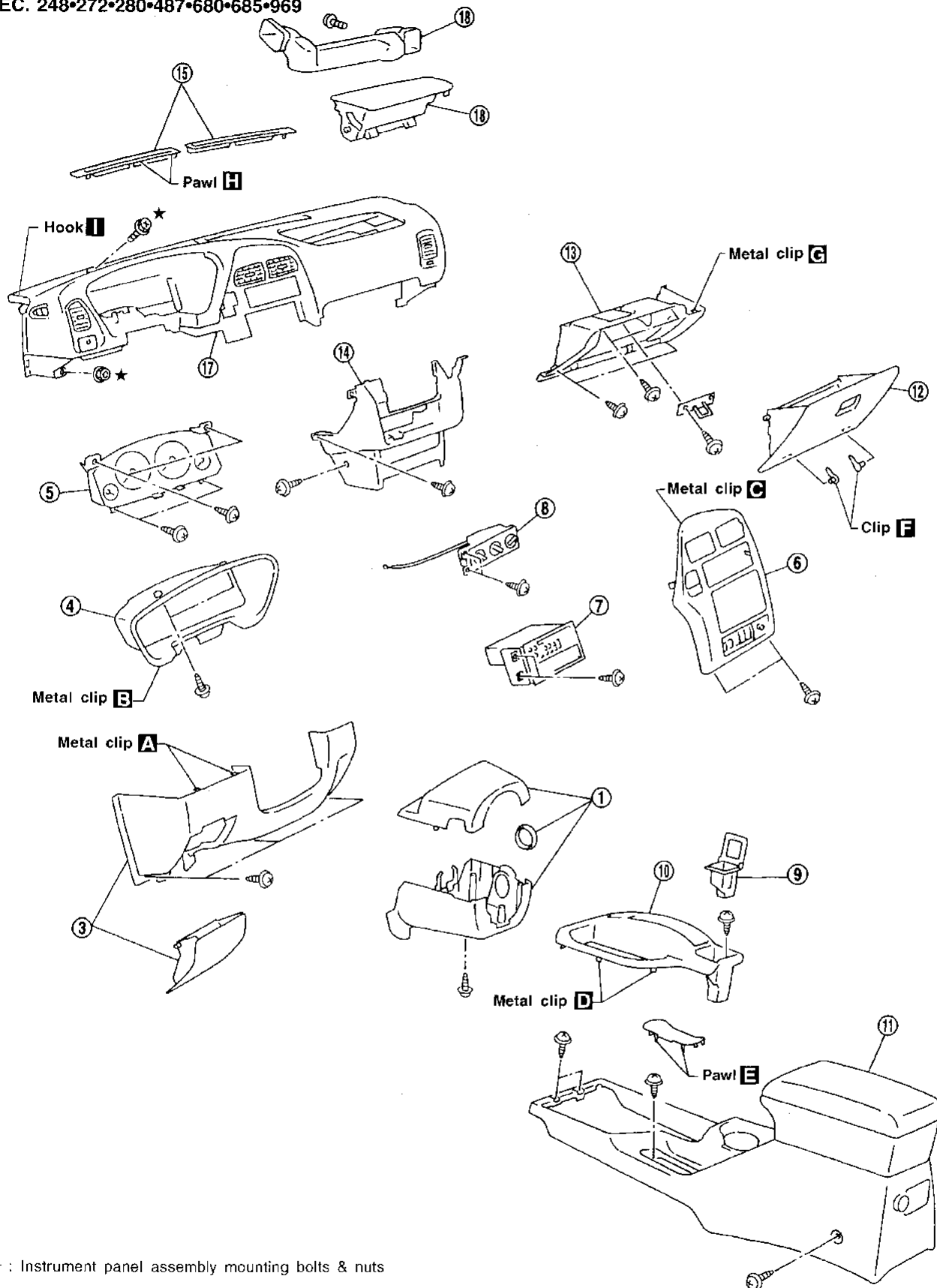
- ⑯ Front pillar garnish
- Refer to "Side and Floor Trim" in "INTERIOR TRIM" for details, BT-15.

- ⑰ Instrument panel and pads
- Remove bolts and nuts.

- ⑱ Passenger air bag module
- Remove air duct.
  - Refer to "SUPPLEMENTAL RESTRAINT SYSTEM" in RS section for details.

# INSTRUMENT PANEL

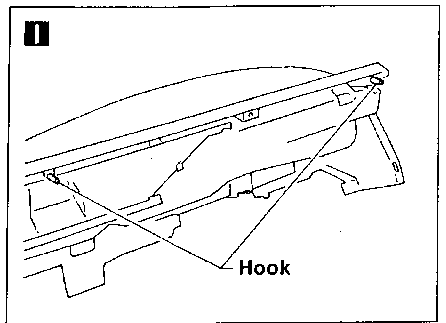
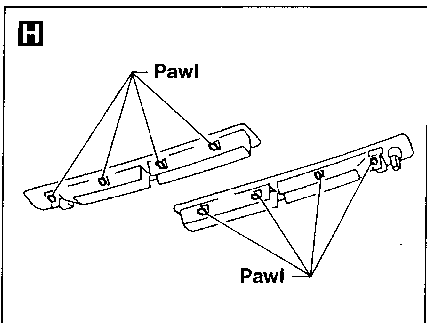
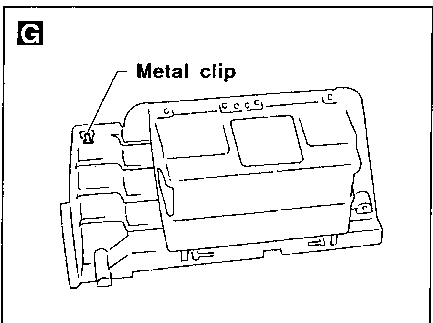
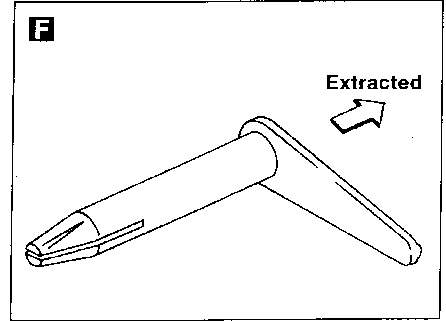
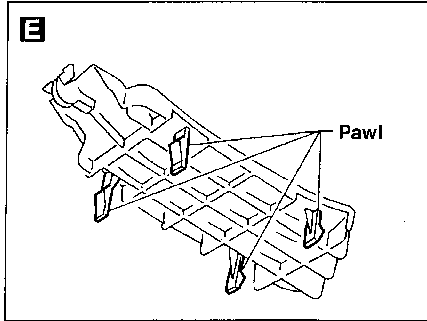
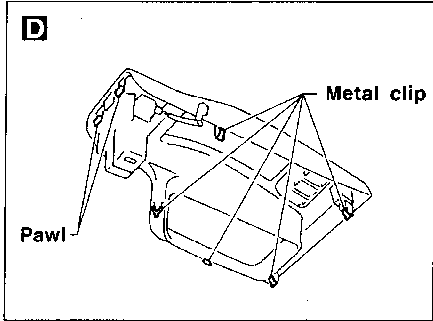
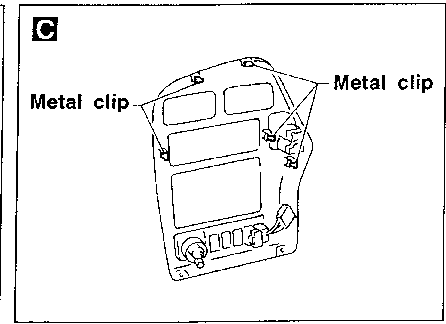
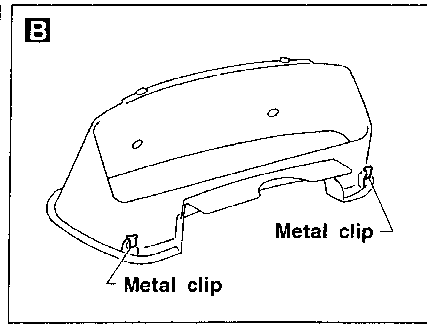
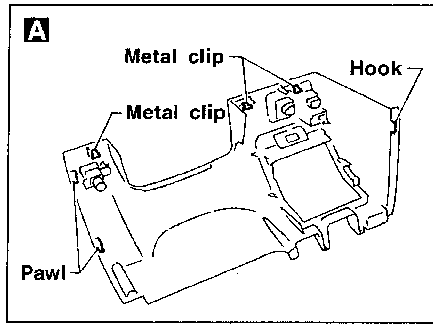
SEC. 248•272•280•487•680•685•969



★ : Instrument panel assembly mounting bolts & nuts

- GI
- MA
- EM
- LC
- EC
- FE
- CL
- MT
- AT
- TF
- PD
- FA
- RA
- BR
- ST
- RS
- BT**
- HA
- EL
- IDX

# INSTRUMENT PANEL



# INTERIOR TRIM

## Side and Floor Trim

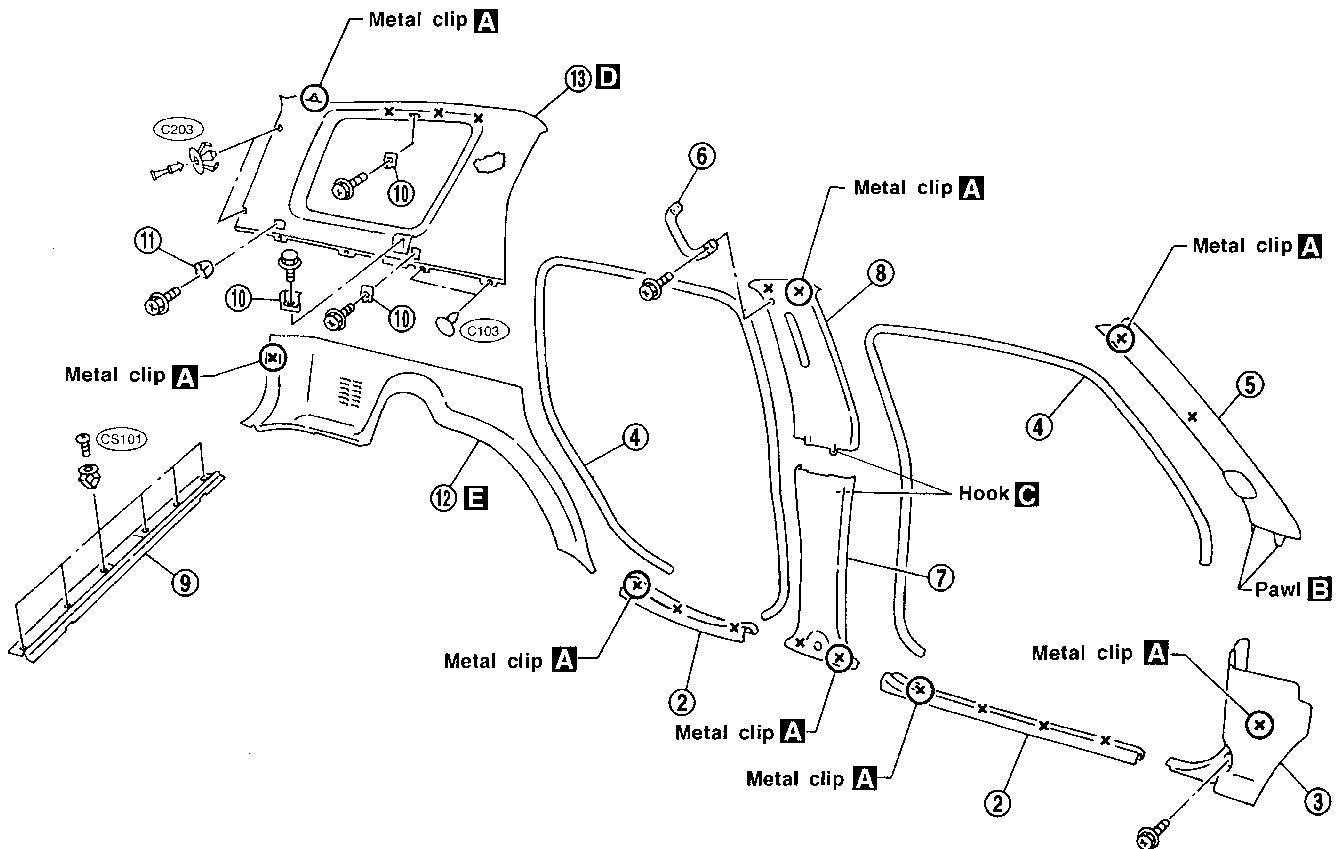
### CAUTION:

Wrap the tip of flat-bladed screwdriver with a cloth when removing metal clips from garnishes.

### REMOVAL — Body side trim

- ① Remove front and rear seats. Refer to "SEAT" for details, BT-26, 29.
- ② Remove front and rear kicking plates.
- ③ Remove dash side lower finishers.
- ④ Remove front and rear body side welts.
- ⑤ Remove front pillar garnishes.
- ⑥ Remove center assist grips.
- ⑦ Remove center pillar lower garnishes.
- ⑧ Remove center pillar upper garnishes.
- ⑨ Remove rear gate kicking plate.
- ⑩ Remove rear parcel shelf hook assembly and hook.
- ⑪ Remove tonneau cover assembly and rear parcel holder.
- ⑫ Remove rear side lower garnishes.
- ⑬ Remove rear side upper garnishes.

SEC. 678•738•769•799•849

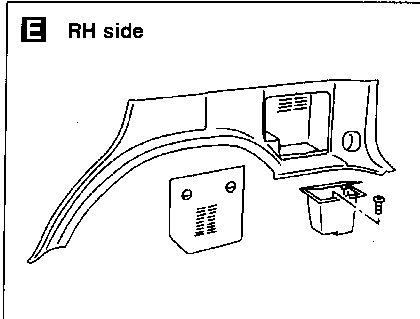
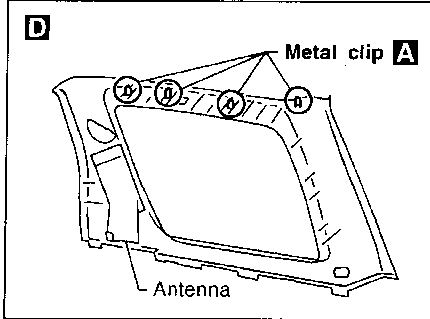
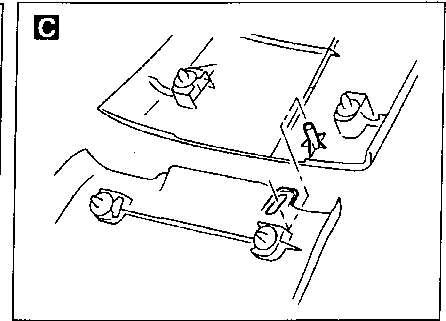
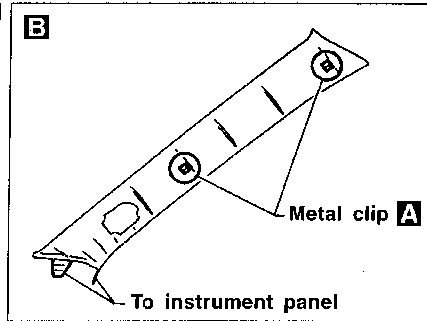
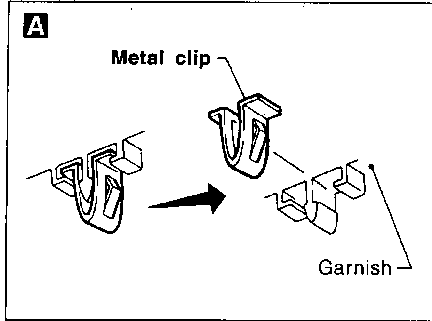


SBT206

GI  
MA  
EM  
LC  
EC  
FE  
CL  
MT  
AT  
TF  
PD  
FA  
RA  
BR  
ST  
RS  
BT  
HA  
EL  
DX

# INTERIOR TRIM

## Side and Floor Trim (Cont'd)



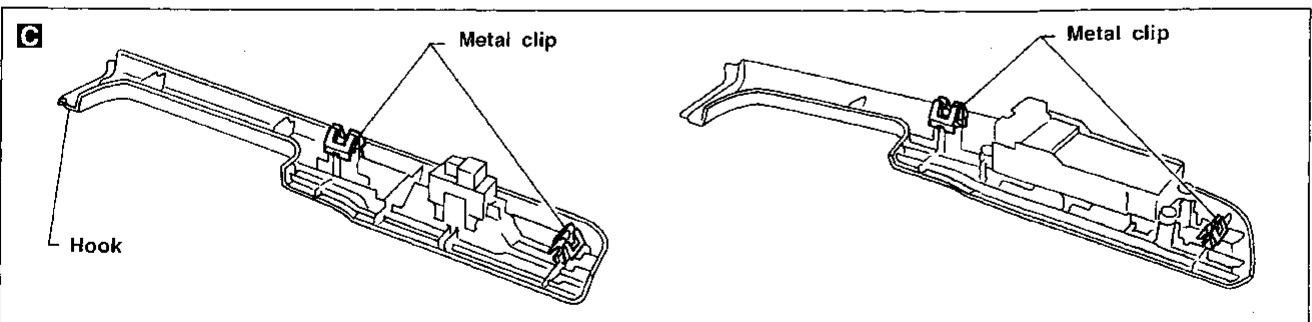
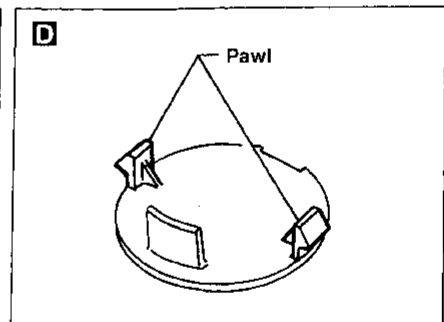
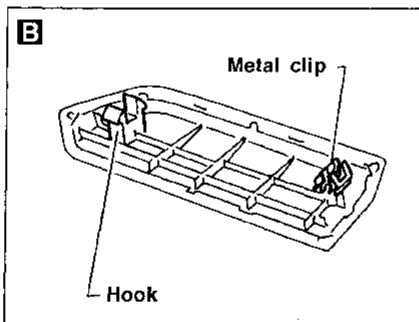
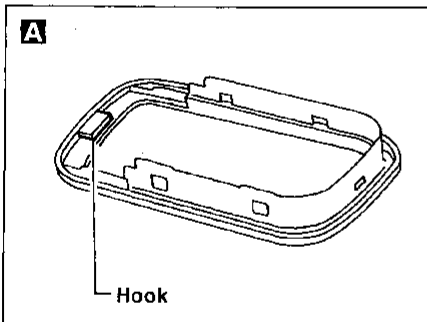
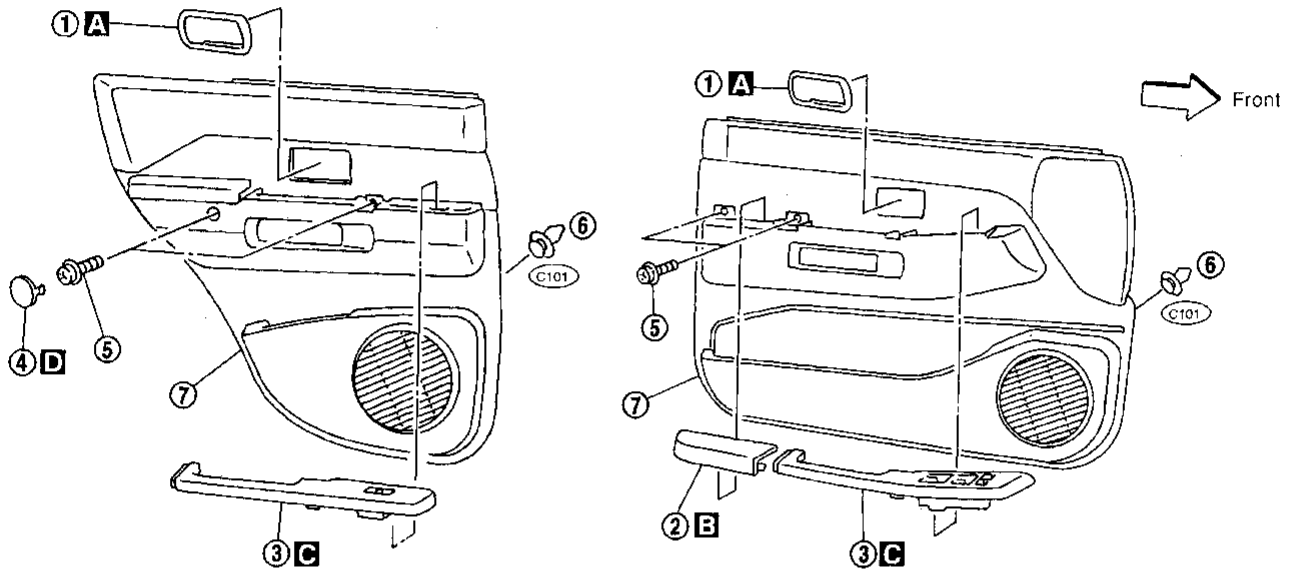


## Door Trim

### Removal — Door trim

- ① Remove inside handle escutcheon.
- ② Remove door armrest. (Front door only)
- ③ Remove power window switches, then disconnect the connectors.
- ④ Remove door finisher cover. (Rear door only)
- ⑤ Remove bolts securing door finisher.
- ⑥ Remove clips (C101) securing door finisher.
- ⑦ Lift out door finisher.

SEC. 251•809•828



SBT207

GI  
MA  
EM  
LC  
EC  
FE  
CL  
MT  
AT  
TF  
PD  
FA  
RA  
BR  
ST  
RS  
BT  
HA  
EL  
IDX

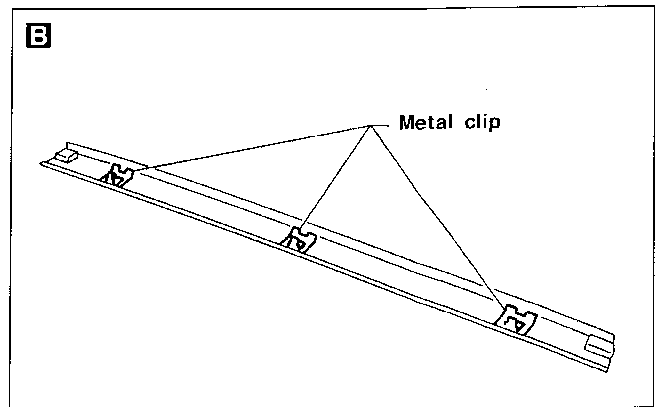
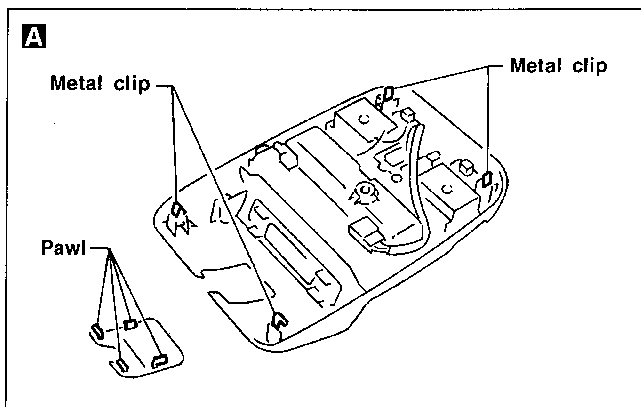
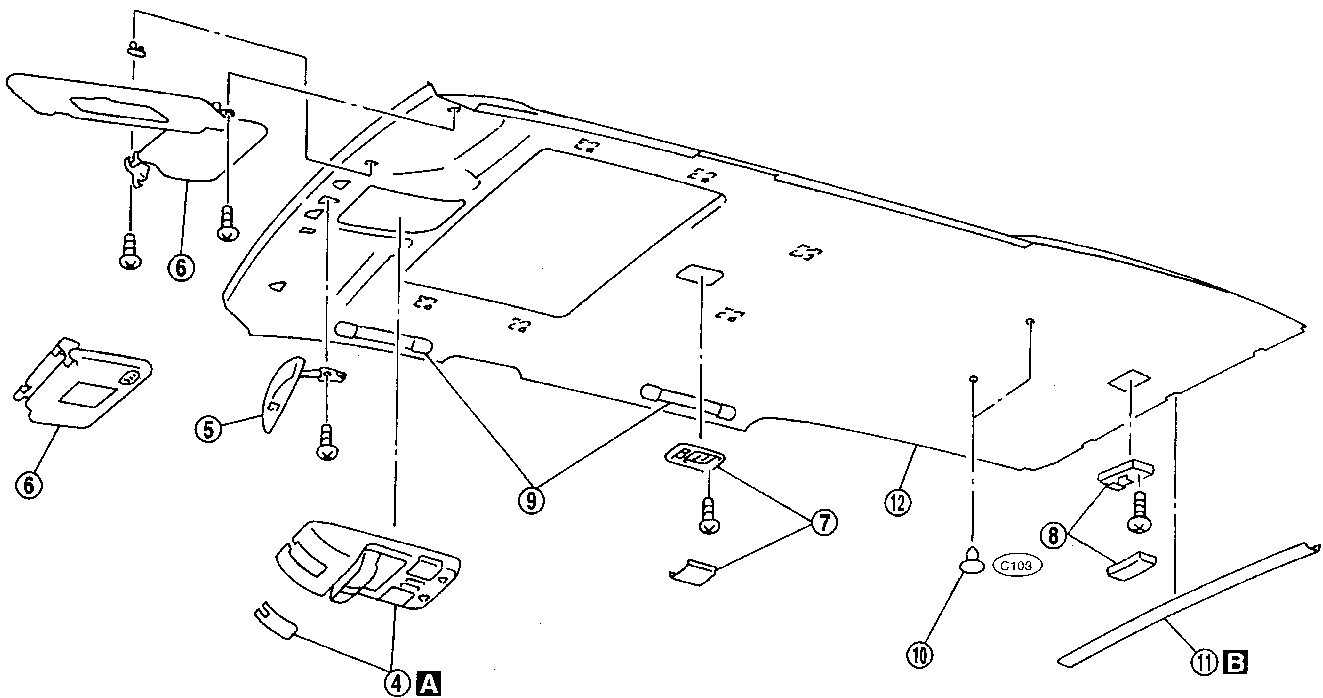
# INTERIOR TRIM

## Roof Trim

### REMOVAL — Headlining

- ① Remove front and rear seats. Refer to "SEAT" for details, BT-26, 29.
- ② Remove front and rear seat belts. Refer to "SEAT BELTS" in RS section for details.
- ③ Remove body side trim. Refer to "Side and Floor Trim" in "INTERIOR TRIM" for details, BT-15.
- ④ Remove roof console assembly.
- ⑤ Remove inside mirror assembly.
- ⑥ Remove sun visors.
- ⑦ Remove interior lamp assembly.
- ⑧ Remove luggage room lamp assembly.
- ⑨ Remove assist grips.
- ⑩ Remove clips (C103) securing headlining.
- ⑪ Remove rear roof garnish.
- ⑫ Remove headlining from vehicle through either back door.

SEC. 264•738•963•964•970



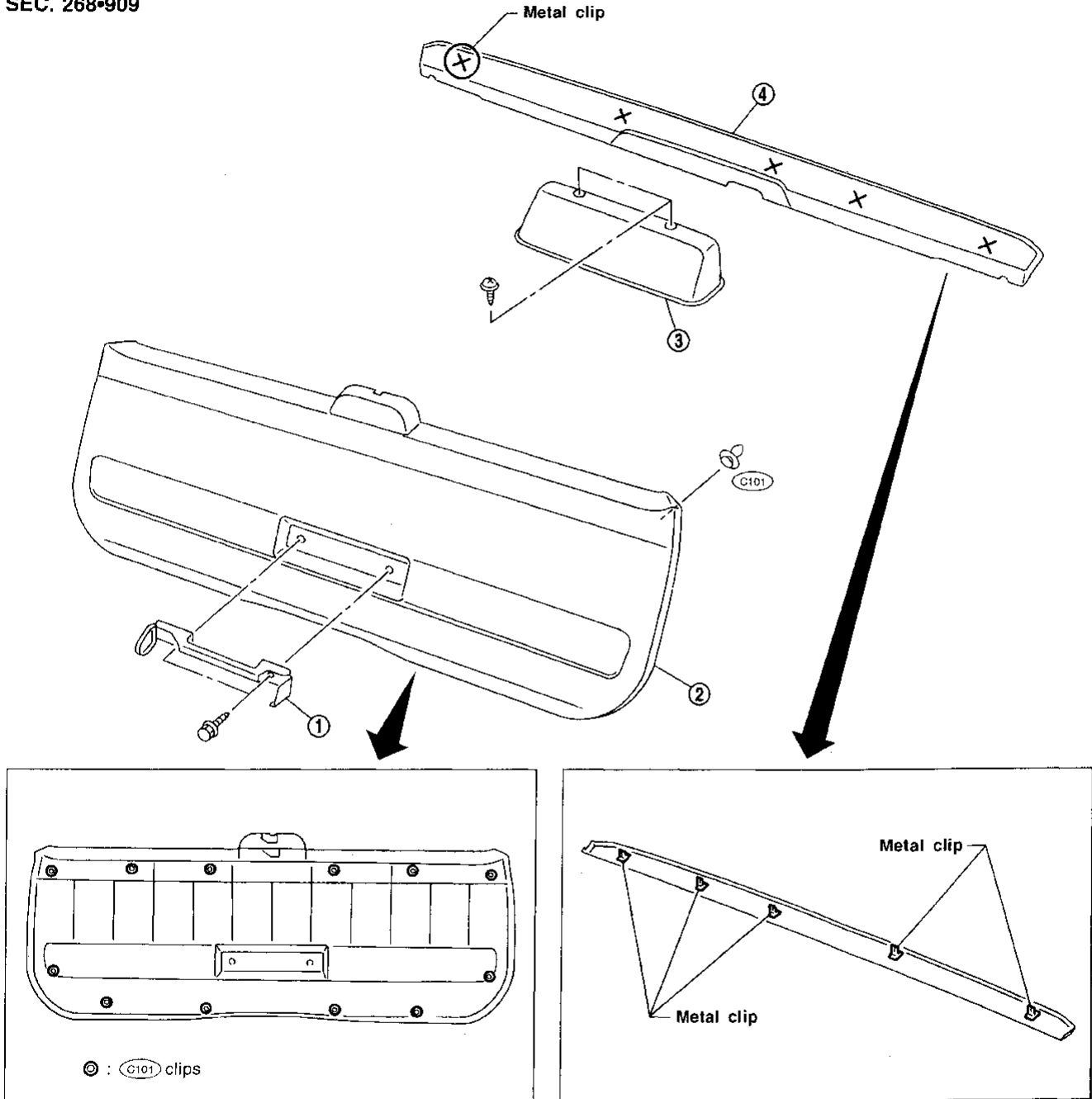
# INTERIOR TRIM

## Back Door Trim

### REMOVAL — Back door trim

- ① Remove back door grip.
- ② Remove back door finisher assembly.
- ③ Remove high-mounted stop lamp.
- ④ Remove back door upper finisher assembly.

SEC. 268-909



GI

MA

EM

LC

EC

FE

CL

MT

AT

TF

PD

FA

RA

BR

ST

RS

**BT**

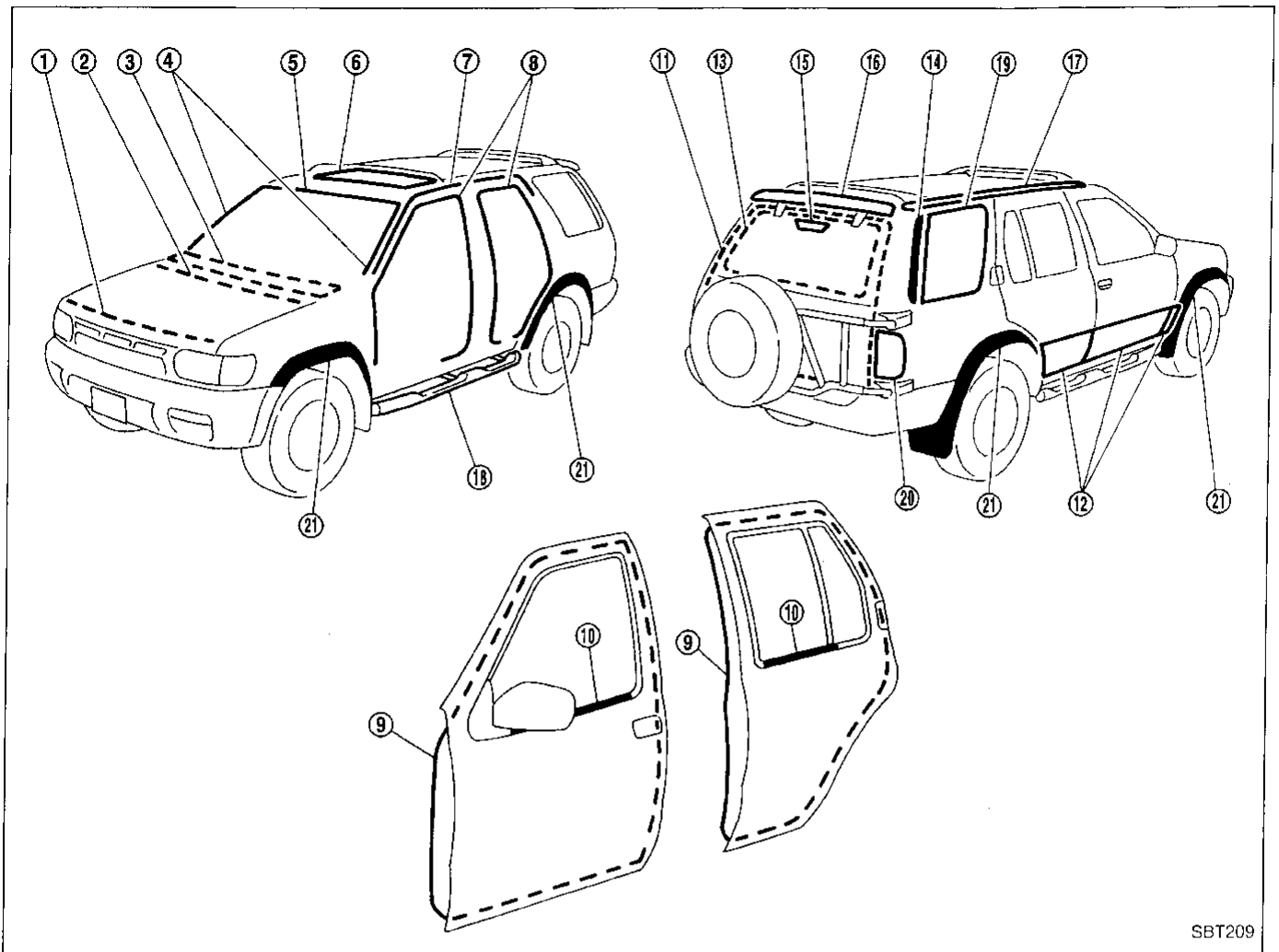
HA

EL

IDX

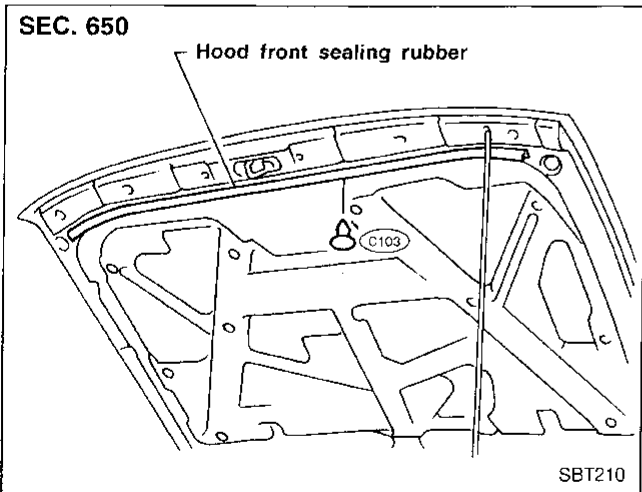
SBT223

# EXTERIOR

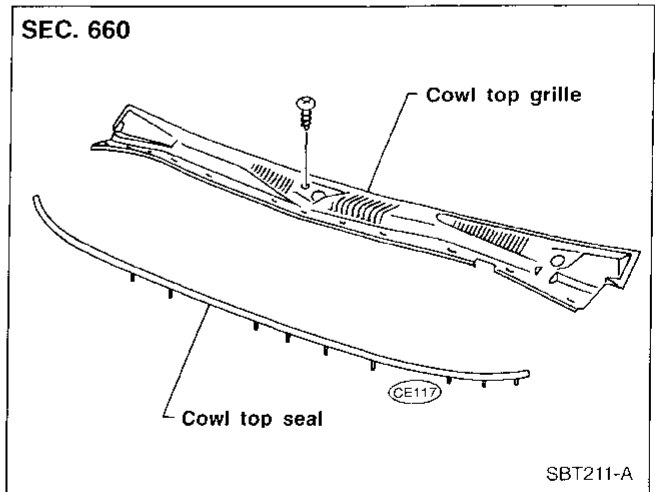


SBT209

## ① Hood front seal



## ② ③ Cowl top seal and cowl top grille



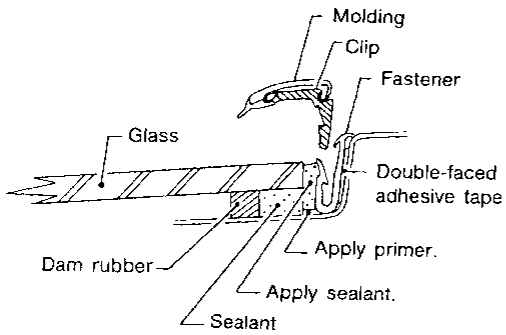
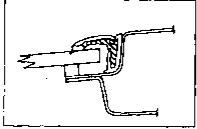
## ④ Windshield side molding

Mounted with screws.

⑤ Windshield upper molding

SEC. 720

1. Cut off sealant at glass end.
2. Clean the side on which panel was mounted.
3. Set molding fastener and apply primer to body panel, and apply sealant to body.

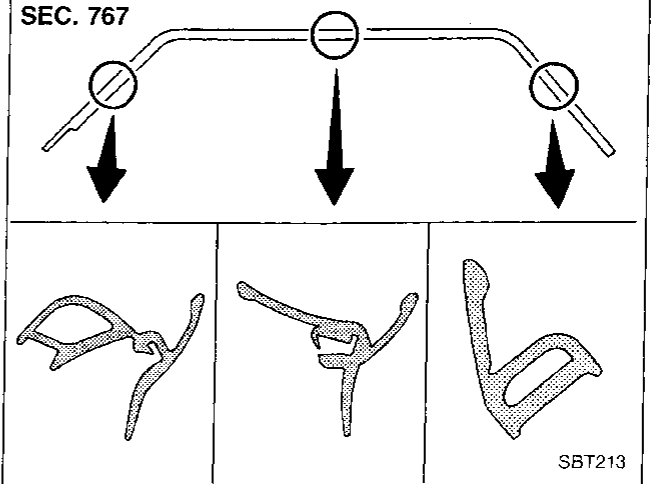


4. Install molding by aligning the molding mark located on center with vehicle center. Be sure to install tightly so that there is no gap around the corner.

SBF342H

⑦ Drip weatherstrip

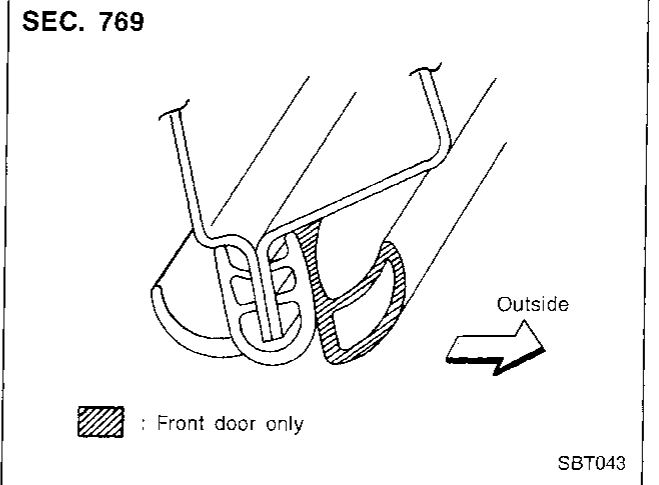
SEC. 767



SBT213

⑧ Body side welt

SEC. 769

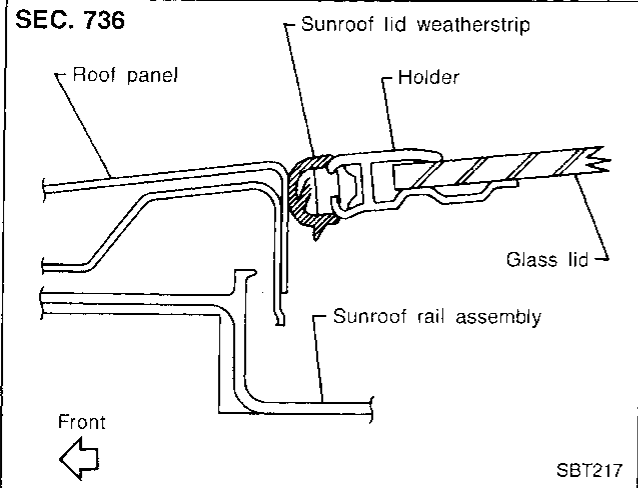


▨ : Front door only

SBT043

⑥ Sunroof lid weatherstrip

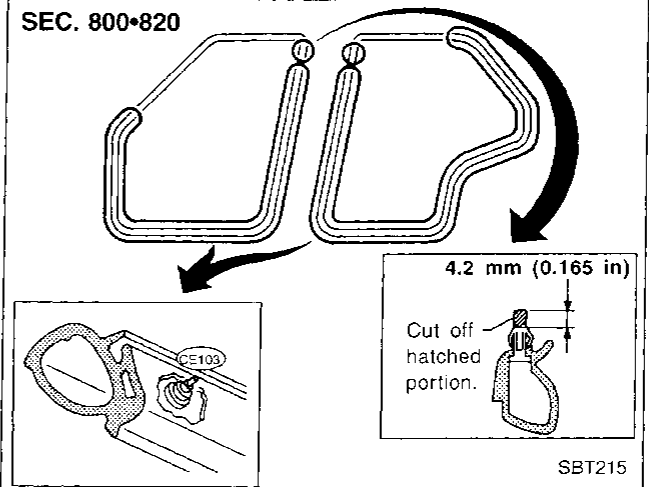
SEC. 736



SBT217

⑨ Door weatherstrip

SEC. 800•820



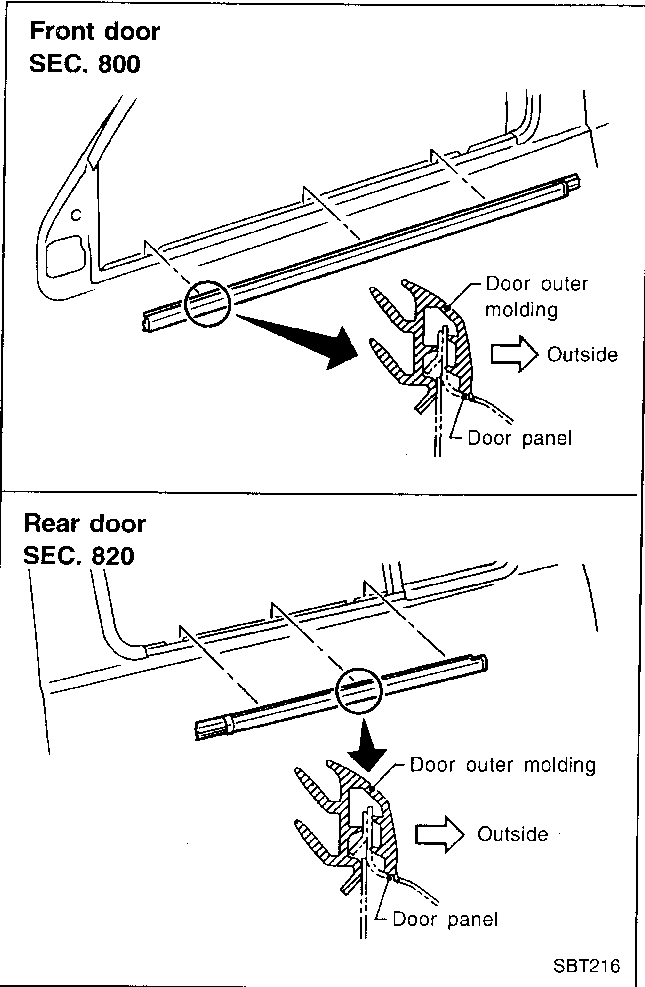
4.2 mm (0.165 in)

Cut off hatched portion.

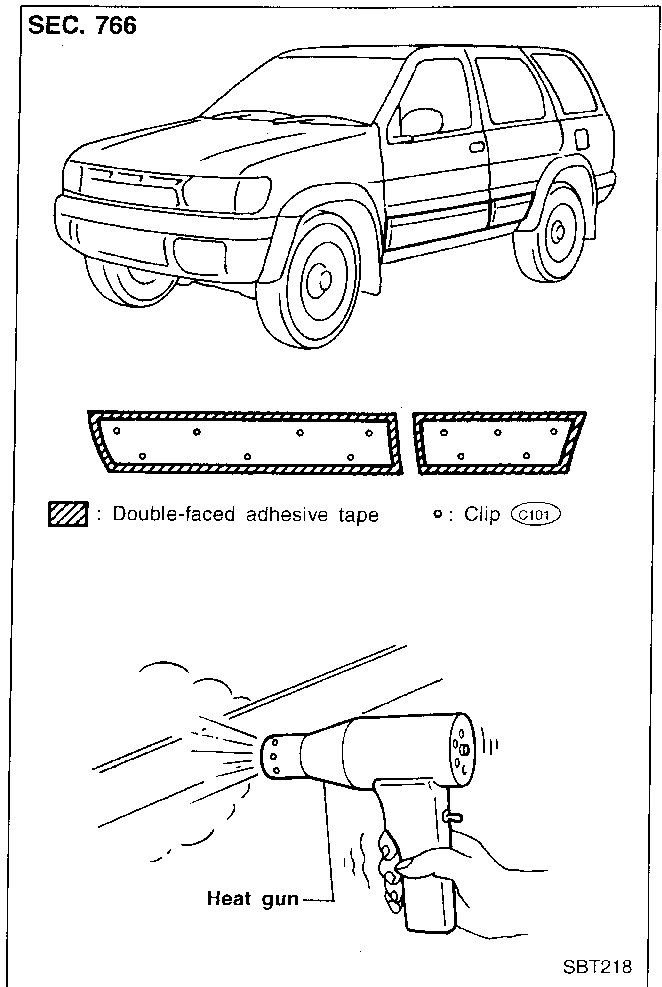
SBT215

GI  
MA  
EM  
LC  
EC  
FE  
CL  
MT  
AT  
TF  
PD  
FA  
RA  
BR  
ST  
RS  
BT  
HA  
EL  
IDX

⑩ Door outside molding

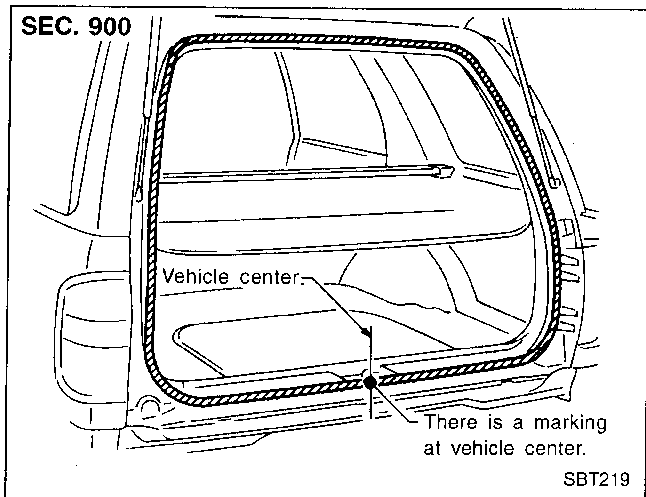


⑫ Side guard molding

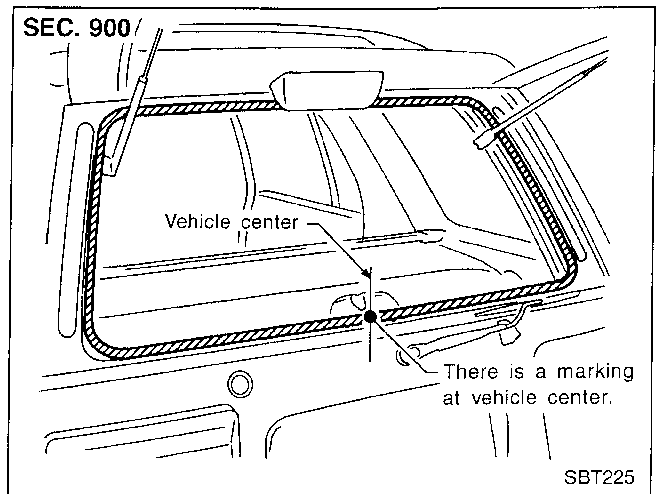


- With a vehicle coated with Hard Clear Coat, use double-faced 3M adhesive tape Product No. 4210 or equivalent, after priming with 3M primer Product No. N-200 or C-100 or equivalent.

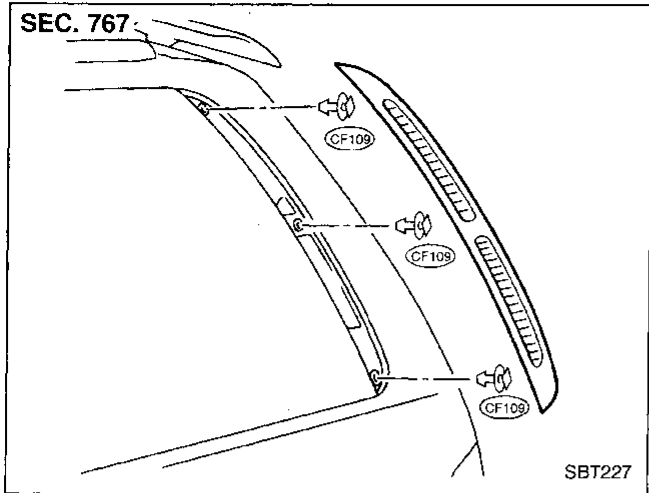
⑪ Back door weatherstrip



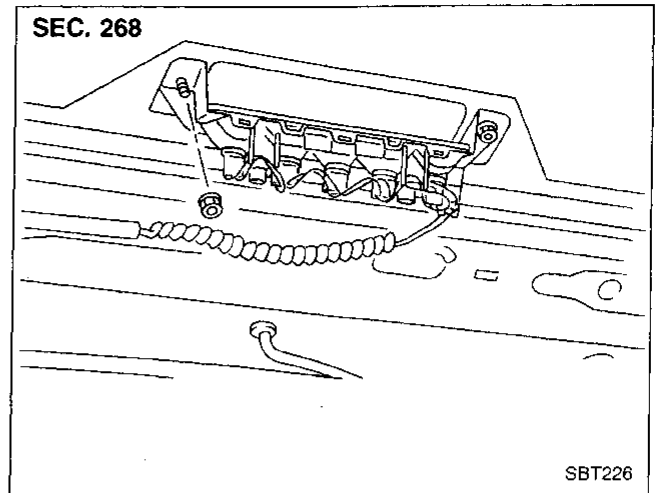
⑬ Back door window weatherstrip



14 Air outlet grille

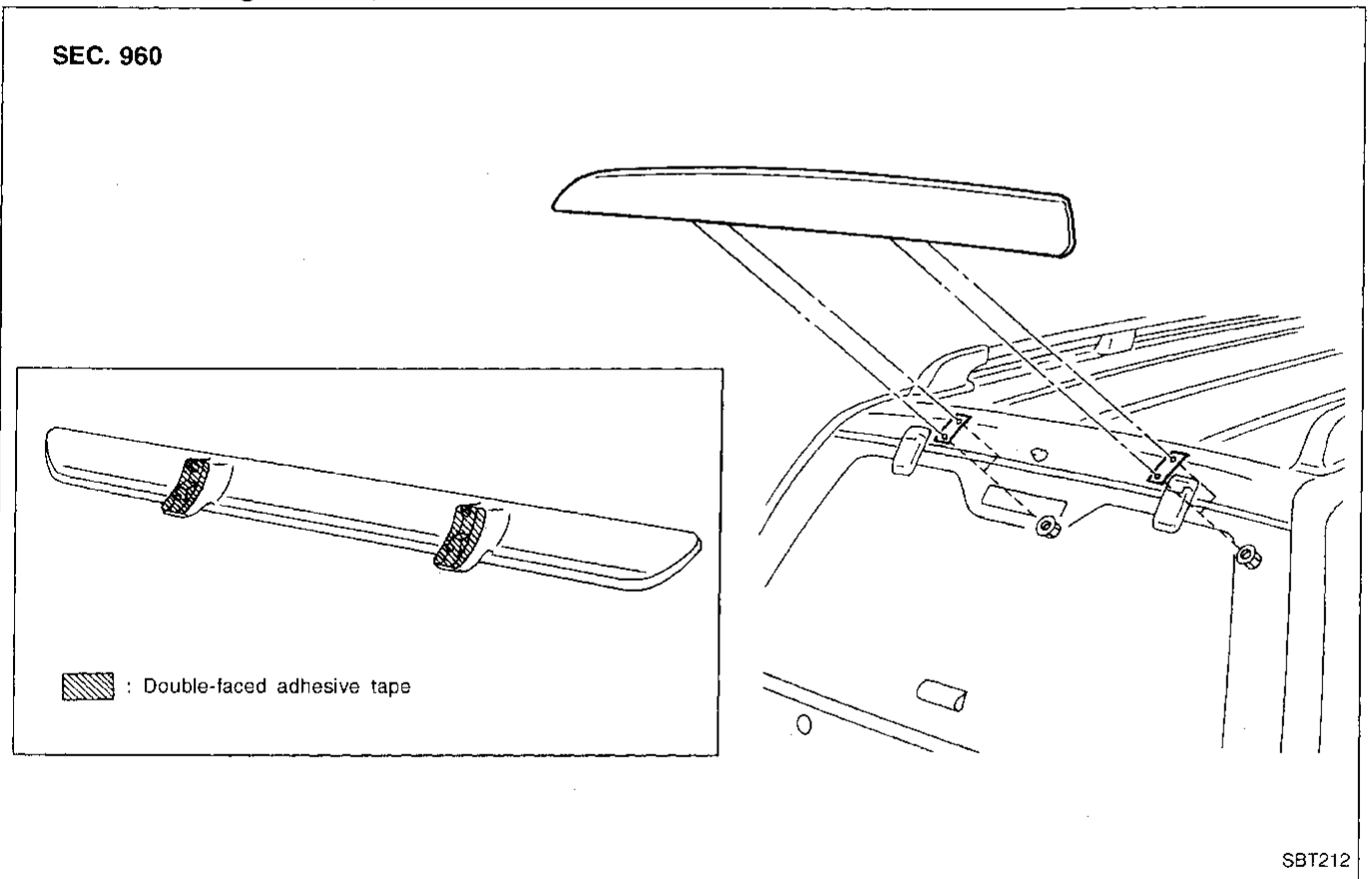


15 High-mounted stop lamp



16 Back door deflector

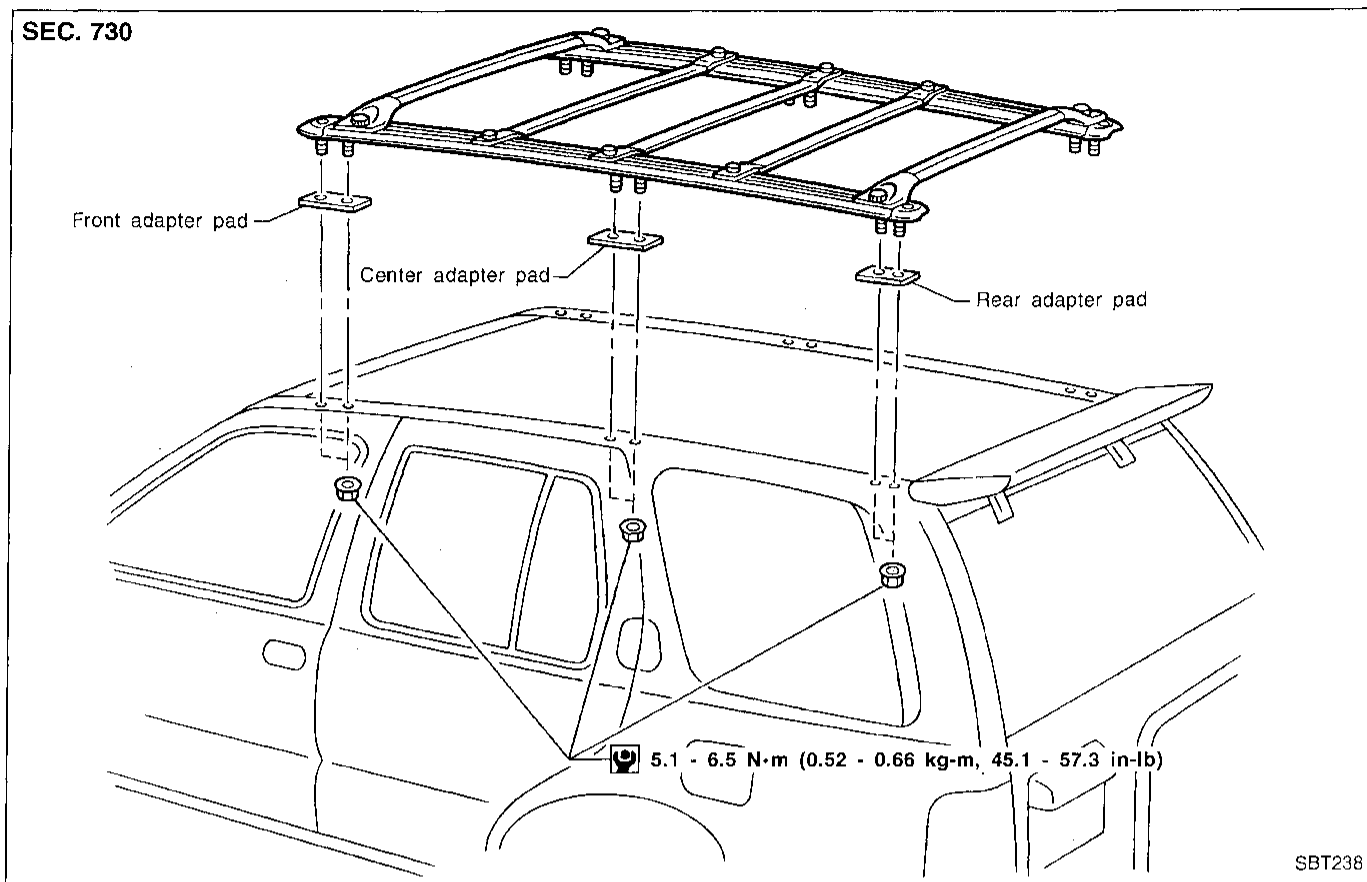
- When installing, make sure that there are not gaps or waves at ends of deflector.
- Before installing deflector, clean and remove oil from surface where deflector will be mounted.



GI  
MA  
EM  
LC  
EC  
FE  
CL  
MT  
AT  
TF  
PD  
FA  
RA  
BR  
ST  
RS  
BT  
HA  
EL  
IDX

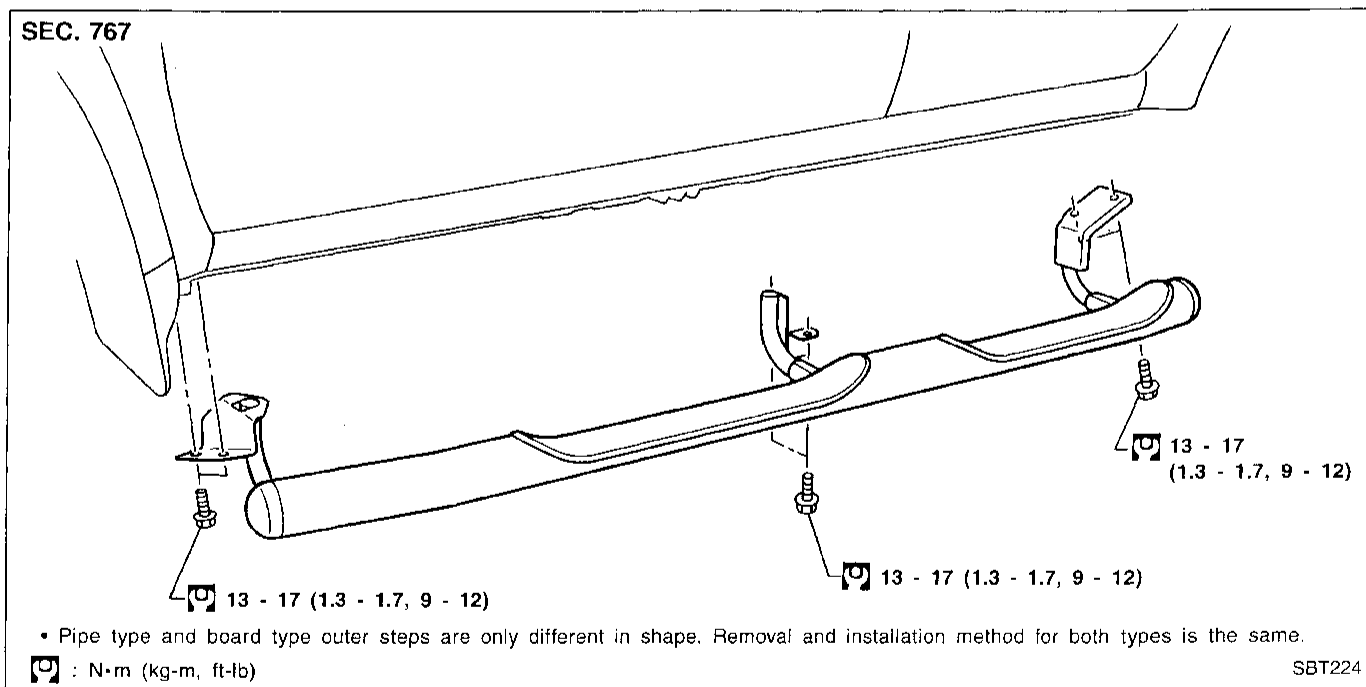
## 17 Roof rack

SEC. 730



## 18 Side step

SEC. 767



## 19 2nd side window molding

Refer to the applicable sections on the preceding pages.

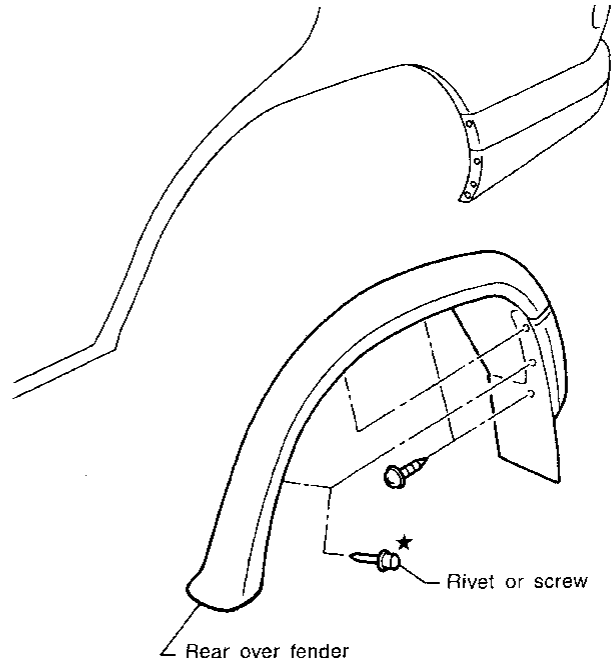
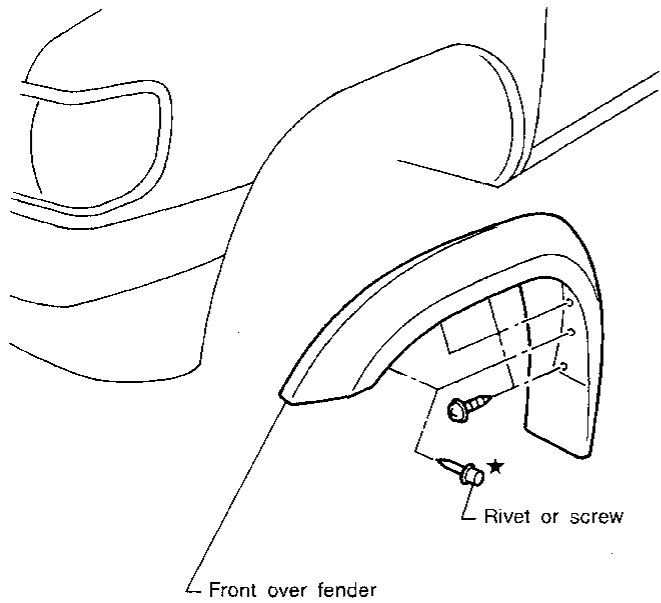
## 20 Rear combination lamp

Rear combination lamps are installed with nuts.



21 Over fender

SEC. 630•780



★: Rivet

Removal - Drill out head of rivet with a 45 mm (1.77 in) dia. drill.

Installation - Using hand riveter, install a rivet securely onto grommet through over fender.

SBT236-A

GI  
MA  
EM  
LC  
EC  
FE  
CL  
MT  
AT  
TF  
PD  
FA  
RA  
BR  
ST  
RS  
BT  
HA  
EL  
IDX

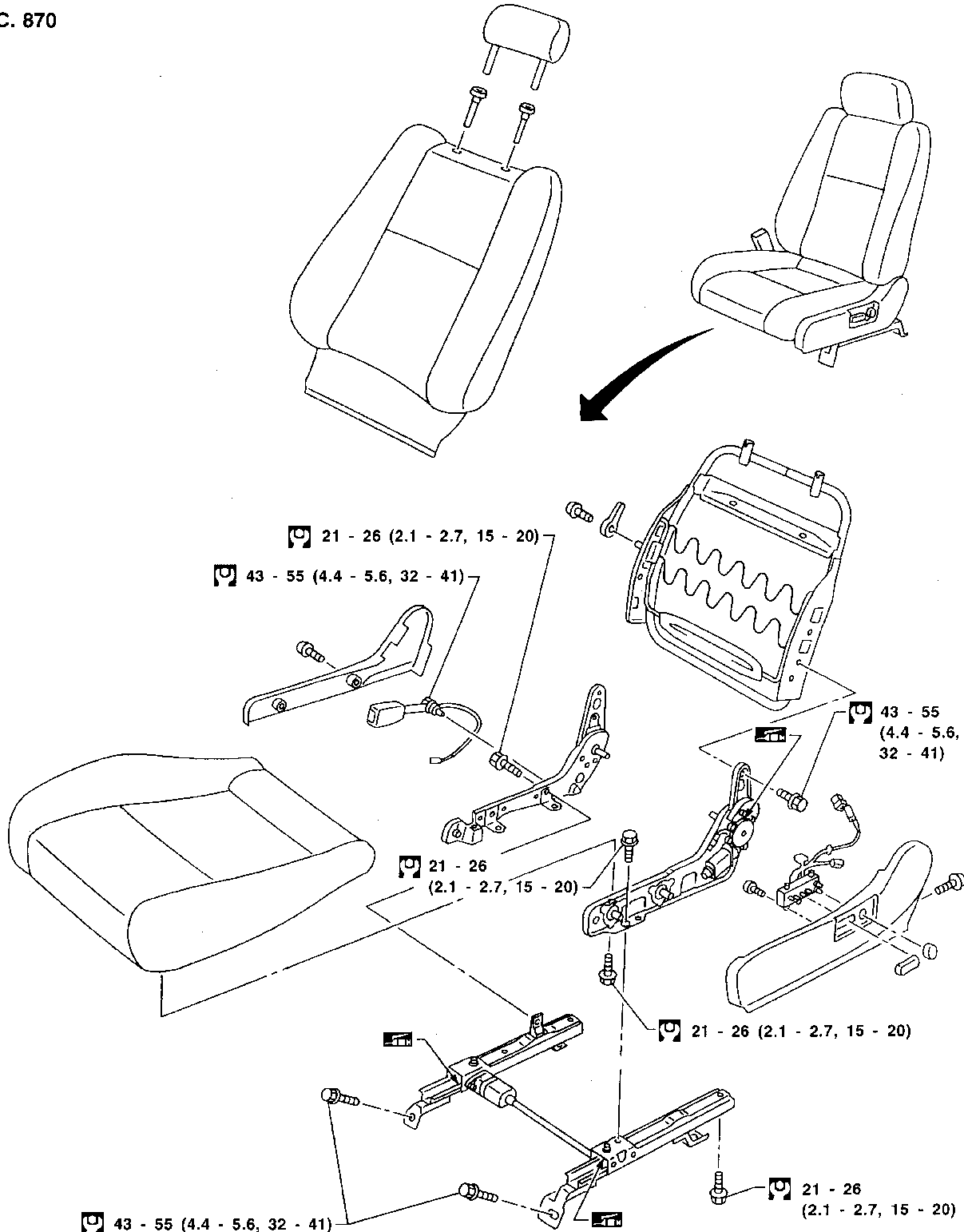
# SEAT

- When removing or installing the seat trim, carefully handle it to keep dirt out and avoid damage.
- ★ For Wiring Diagram, refer to "POWER SEAT" in EL section.

## Front Seat

### POWER SEAT

SEC. 870



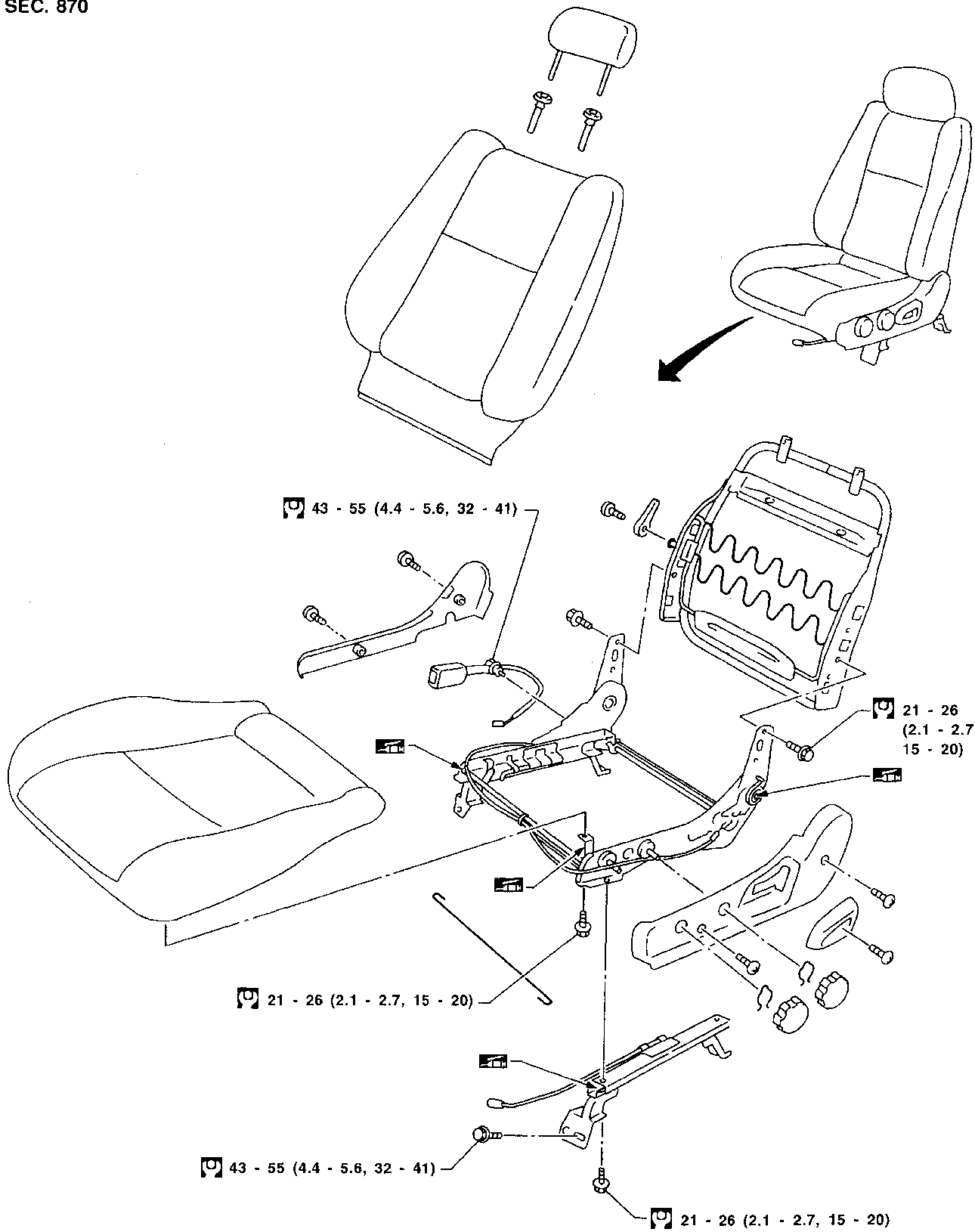
: N·m (kg-m, ft-lb)

# SEAT

## Front Seat (Cont'd)

### MANUAL SEAT

SEC. 870



: N·m (kg-m, ft-lb)

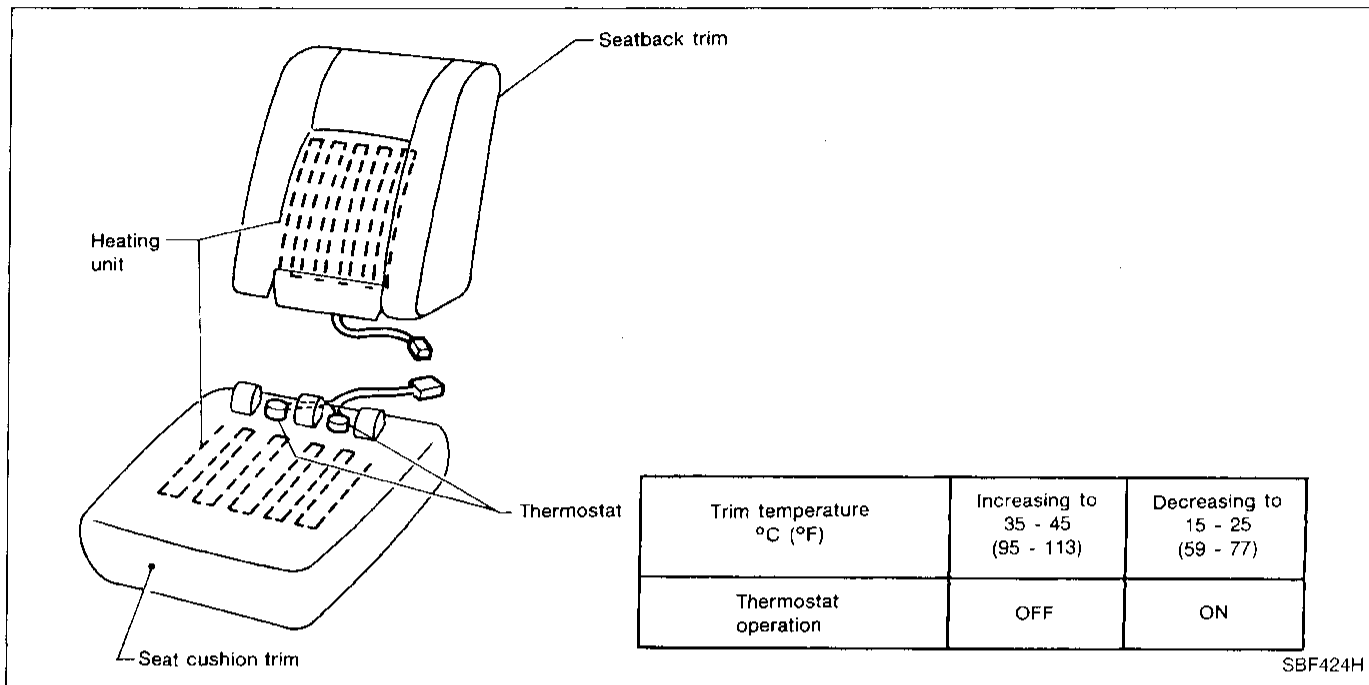
GI  
MA  
EM  
LC  
EC  
FE  
CL  
MT  
AT  
TF  
PD  
FA  
RA  
BR  
ST  
RS  
**BT**  
HA  
EL  
IDX

SBT189

### Heated Seat

- When handling seat, be extremely careful not to scratch heating unit.
- To replace heating unit, seat trim and pad should be separated.
- Do not use any organic solvent, such as thinner, benzene, alcohol, gasoline, etc. to clean trims.

#### Seatback heating unit removal & installation



★ For Wiring Diagram, refer to "HEATED SEAT" in EL section.

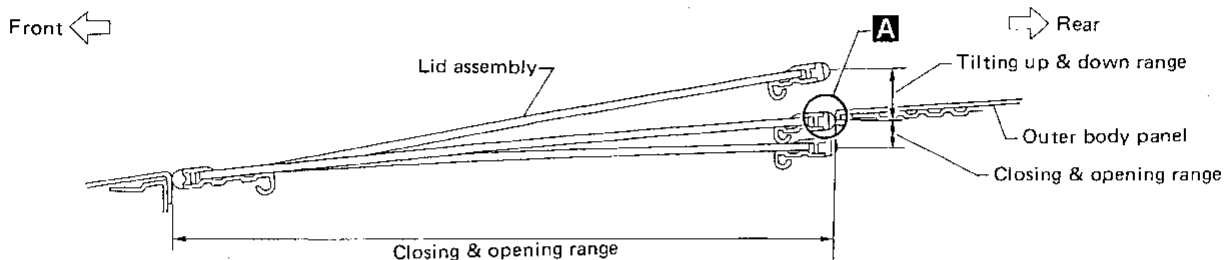


# SUNROOF

## ADJUSTMENT

Install motor & limit SW assembly and sunroof rail assembly in the following sequence:

1. Arrange equal lengths of link and wire assemblies on both sides of sunroof opening.
2. Connect sunroof connector to sunroof switch and positive (+) power supply.
3. Set lid assembly to fully closed position **A** by operating OPEN switch and TILT switch.
4. Fit outer side of lid assembly to the surface of roof on body outer panel.
5. Remove motor, and keep OPEN switch pressed until motor pinion gear reaches the end of its rotating range.
6. Install motor.
7. Check that motor drive gear fits properly in wires.
8. Press TILT-UP switch to check lid assembly for normal tilting.
9. Check sunroof lid assembly for normal operations (tilt-up, tilt-down, open, and close).



SBF920F

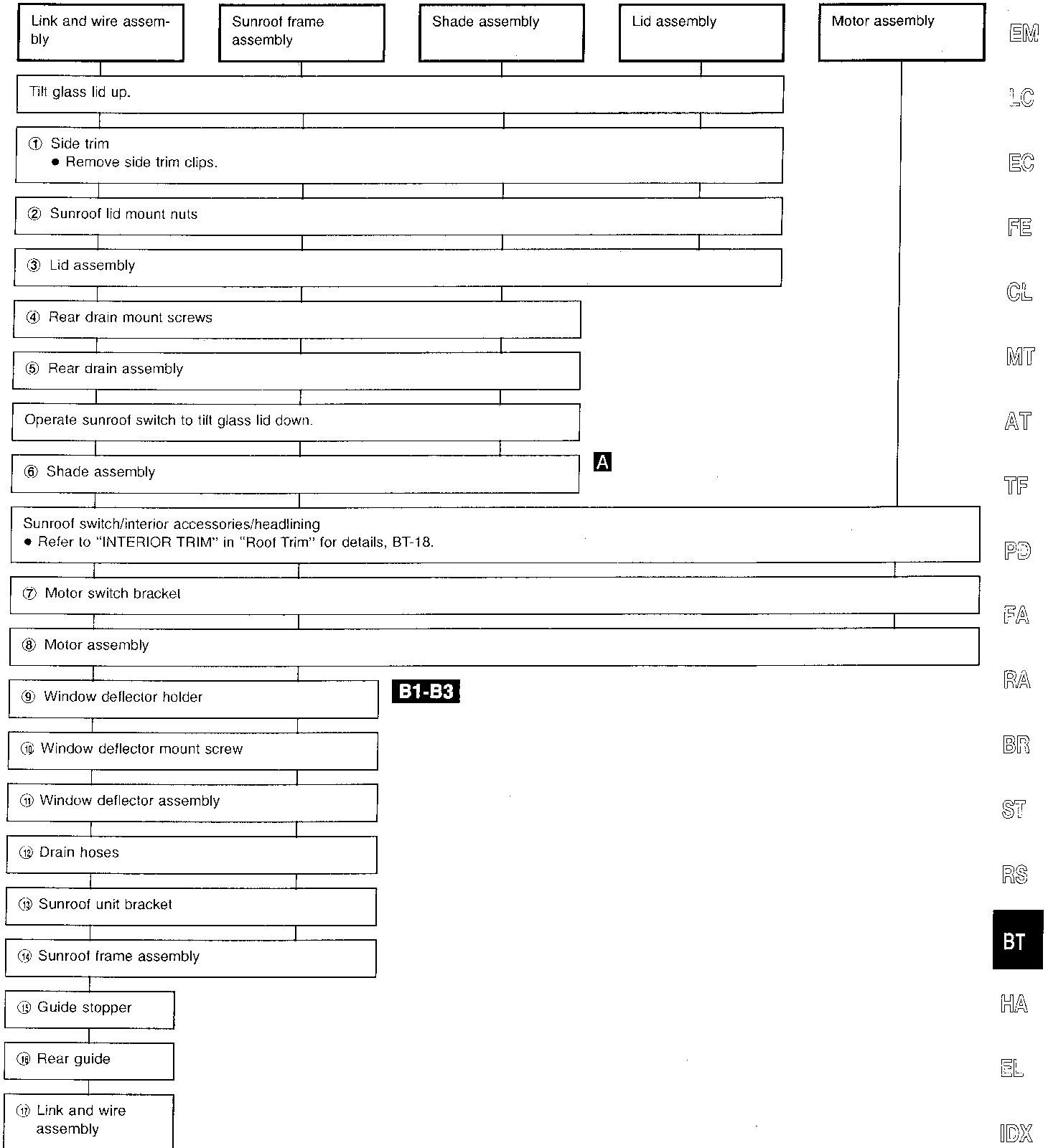
# SUNROOF

## REMOVAL

- After any adjustment, check sunroof operation and lid alignment.
- Handle finisher plate and glass lid with care so not to cause damage.
- It is desirable for easy installation to mark each point before removal.

### CAUTION:

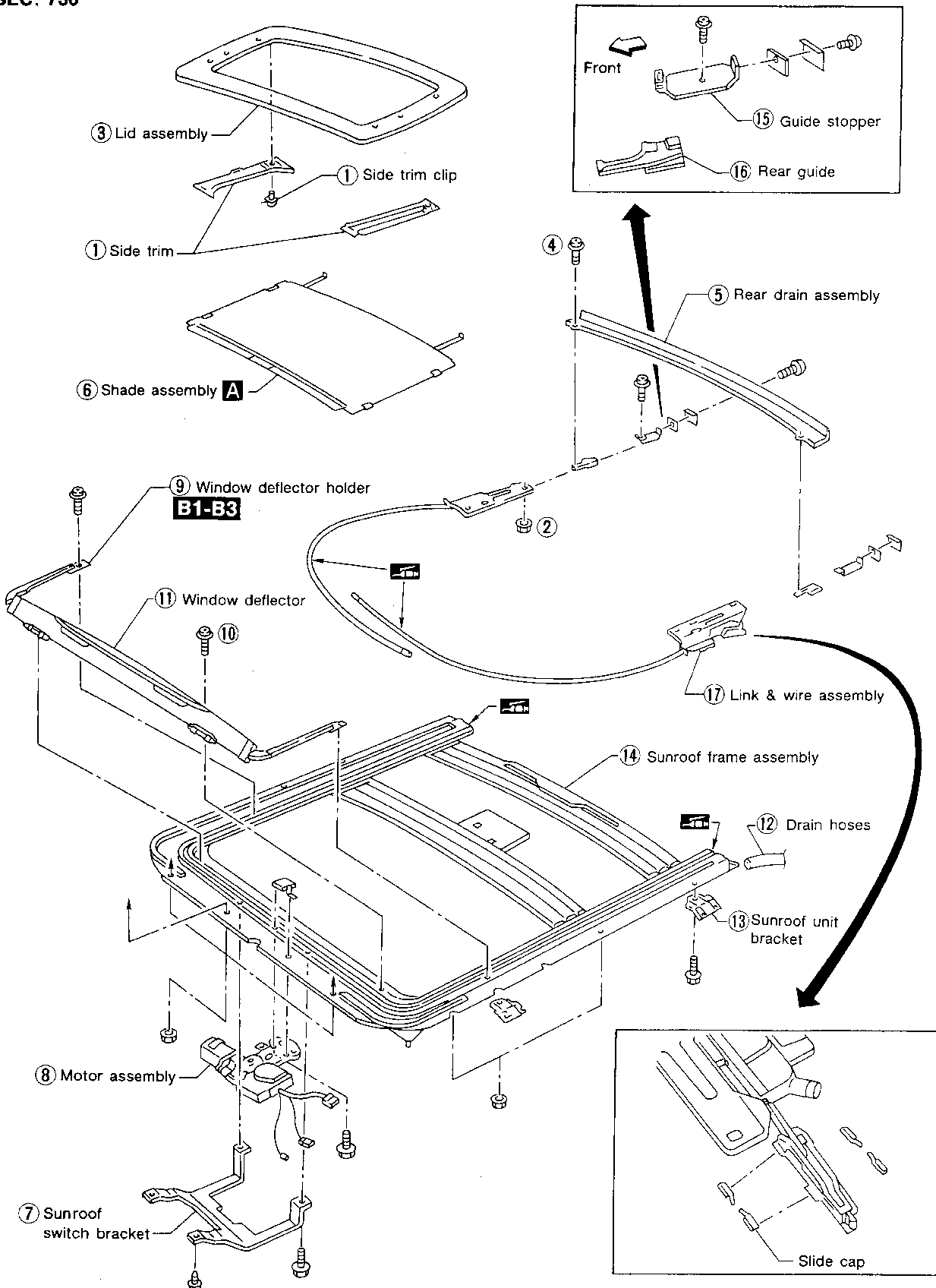
Always work with a helper.



# SUNROOF

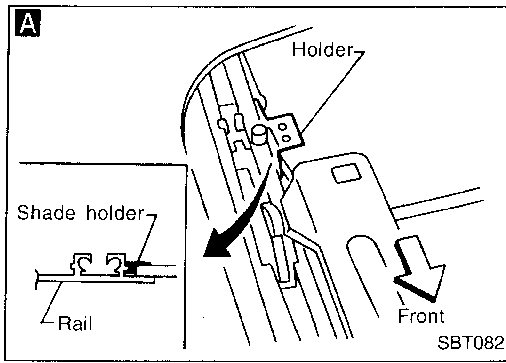
★ For Wiring Diagram, refer to "ELECTRIC SUNROOF" in EL section.

SEC. 736

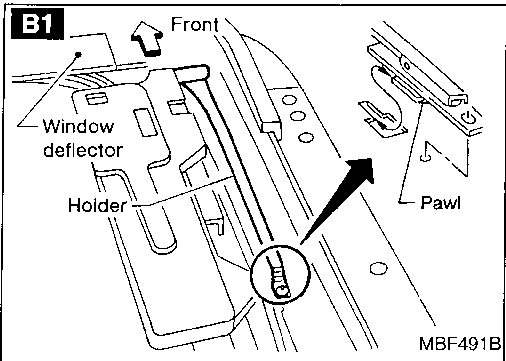




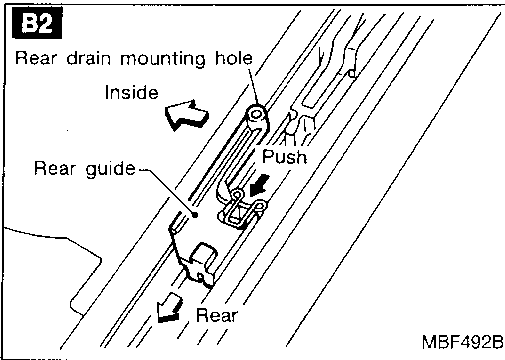
# SUNROOF



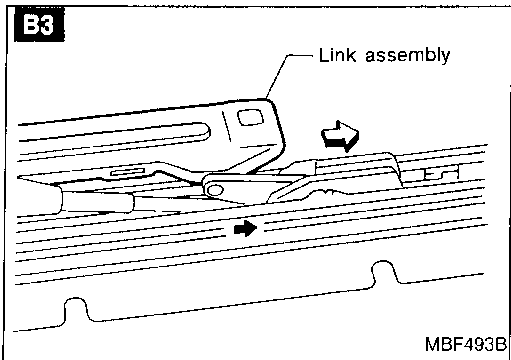
- A** Using flat-bladed screwdriver, pry shade assembly holder off rail. Then pull shade assembly forward to remove it from rail.



- B1** Disengage pawls from rail, then remove window deflector holder.



- B2** Using flat-bladed screwdriver, pry stopper spring off rail groove. Then slide rear guide backward to remove it from rail.



- B3** Remove wire and link assembly from rail while pushing link back with flat-bladed screwdriver.

GI

MA

EM

LC

EC

FE

CL

MT

AT

TF

PD

FA

RA

BR

ST

RS

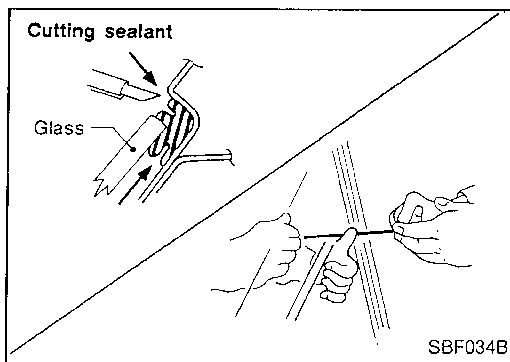
**BT**

HA

EL

DX

# WINDSHIELD AND WINDOWS



## REMOVAL

After removing moldings, remove glass.

### CAUTION:

Be careful not to scratch glass when removing.

## INSTALLATION

- Use genuine Nissan Sealant kit or equivalent. Follow instructions furnished with it.
- After installing the glass, the vehicle should remain stationary until the sealant hardens.

### WARNING:

Keep heat and open flames away as primers are flammable.

### CAUTION:

Advise user not to drive the vehicle on rough roads until sealant has properly vulcanized.

- Do not use sealant which is past its usable term.
- Do not leave cartridge unattended with its cap open.
- Keep primers and sealant in a cool, dry place. Ideally, they should be stored in a refrigerator.
- Molding must be installed securely so that it is in position and leaves no gap.

## Windshield

<p><b>Body side</b> Install spacer to panel.</p>	<p><b>Glass side</b> Install dam rubber.</p>
<p><b>Install molding fastener.</b> When installing it, heat body panel and fastener to approx. 30 to 40°C (86 to 104°F).</p>	<p><b>Apply sealant evenly.</b> Windshield</p> <p>Unit: mm (in)</p> <p style="text-align: right;">SBT191</p>

## REPAIRING WATER LEAKS FOR WINDSHIELD

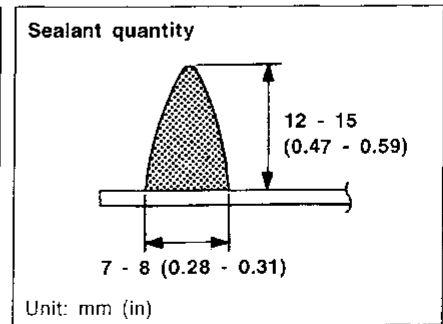
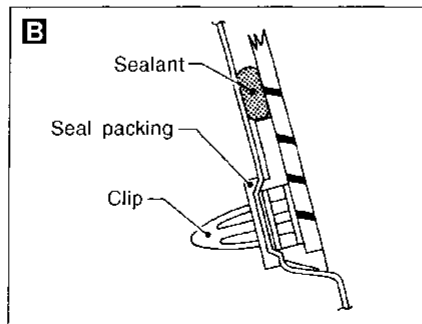
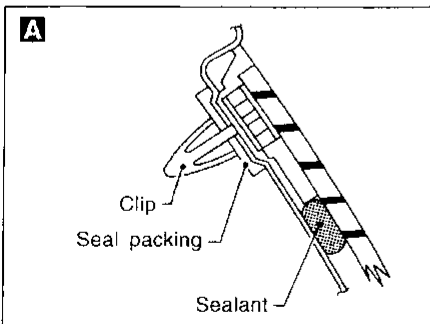
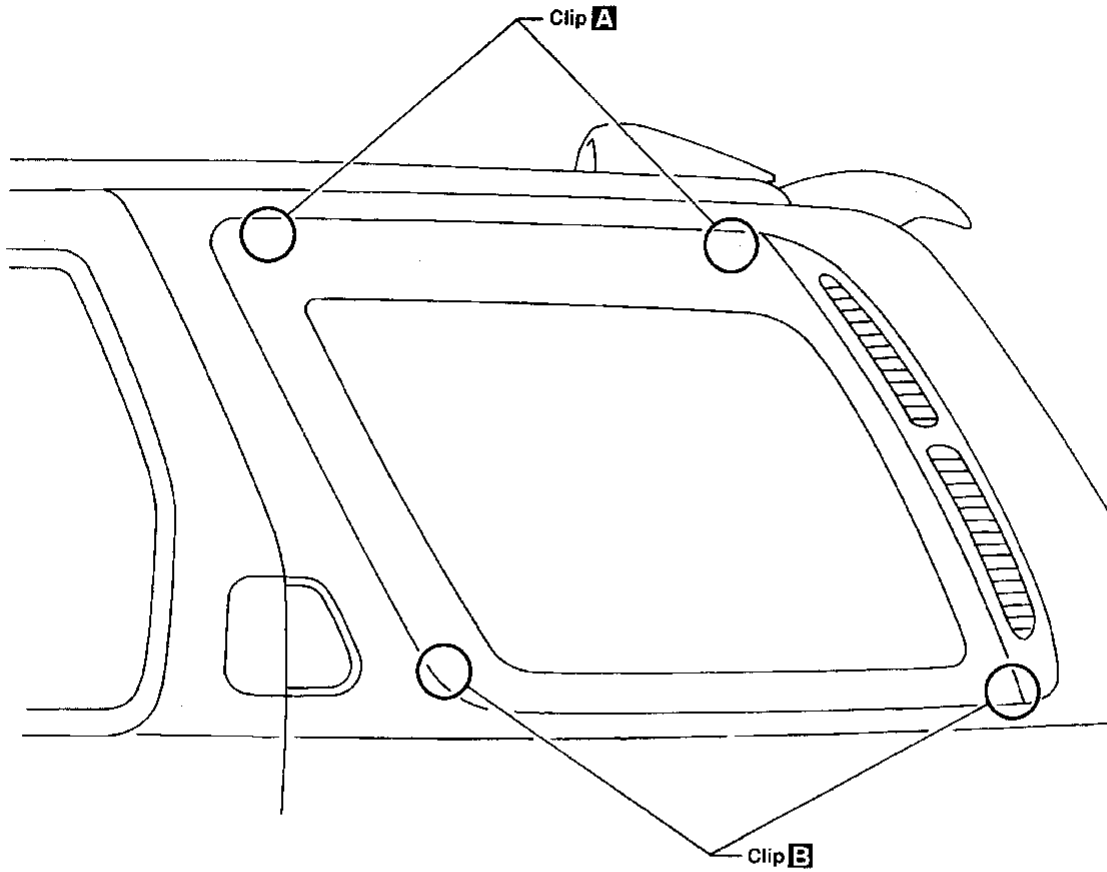
Leaks can be repaired without removing and reinstalling glass.

**If water is leaking between caulking material and body or glass, determine the extent of leakage. This can be determined by applying water while pushing glass outward.**

To stop the leak, apply primer and then sealant to the leak point.

Rear Side Window

SEC. 830



GI  
MA  
EM  
LC  
EC  
FE  
CL  
MT  
AT  
TF  
PD  
FA  
RA  
BR  
ST  
RS  
BT  
HA  
EL  
IDX

# MIRROR

## CAUTION:

Be careful not to scratch door rearview mirror body.

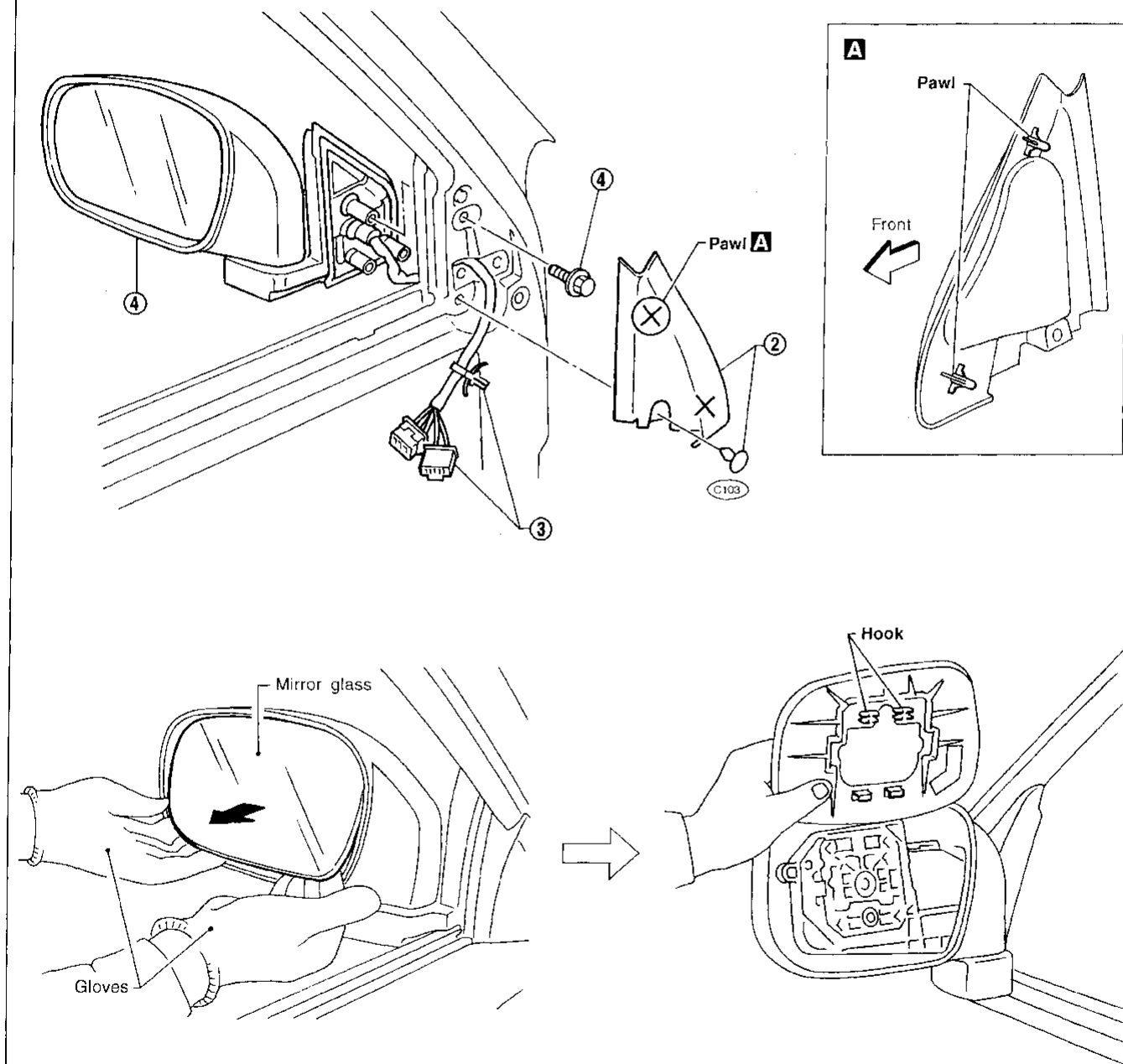
★ For Wiring Diagram, refer to "POWER DOOR MIRROR" in EL section.

## Door Mirror

### REMOVAL — Door mirror

- ① Remove door trim. Refer to "Door Trim" in "INTERIOR TRIM" for details, BT-17.
- ② Remove clip (C103) securing inner cover from front corner of door.
- ③ Disconnect door mirror harness connector and clip.
- ④ Remove bolts securing door mirror, then remove door mirror assembly.

SEC. 963



SBT193

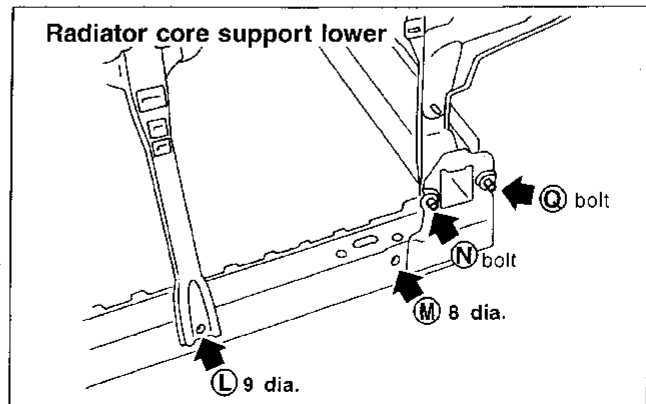
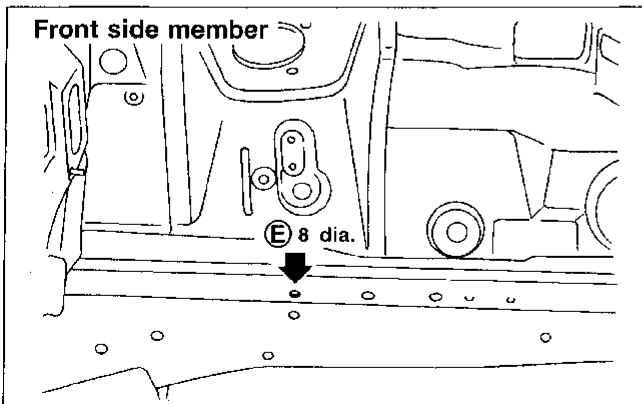
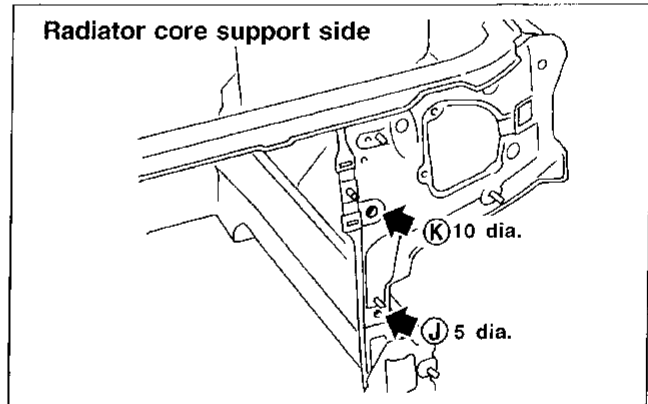
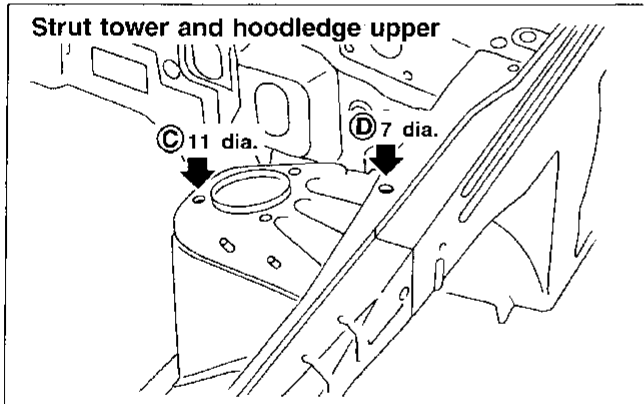
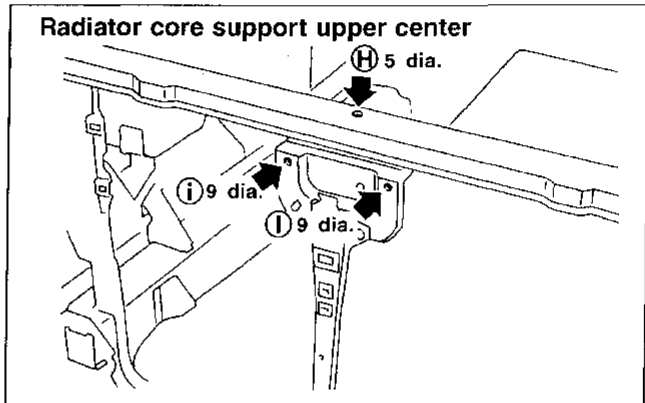
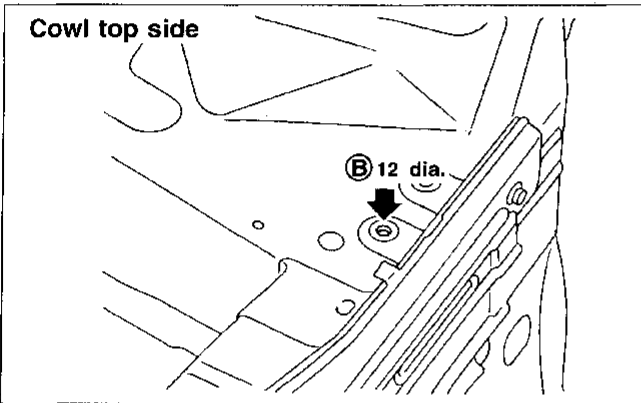
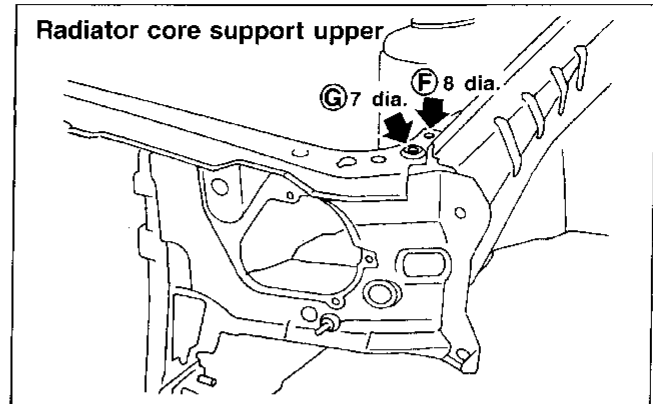
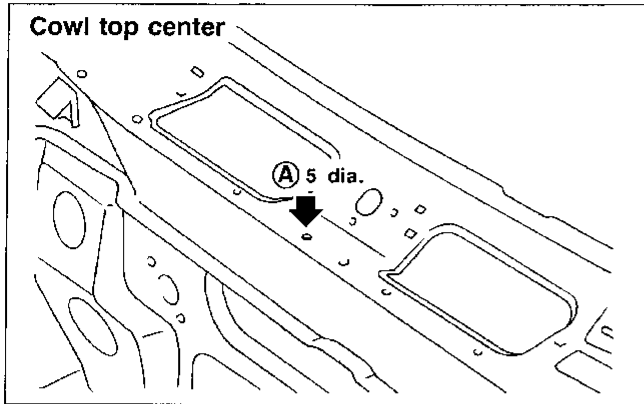


# BODY ALIGNMENT

## Engine Compartment (Cont'd)

### MEASUREMENT POINTS

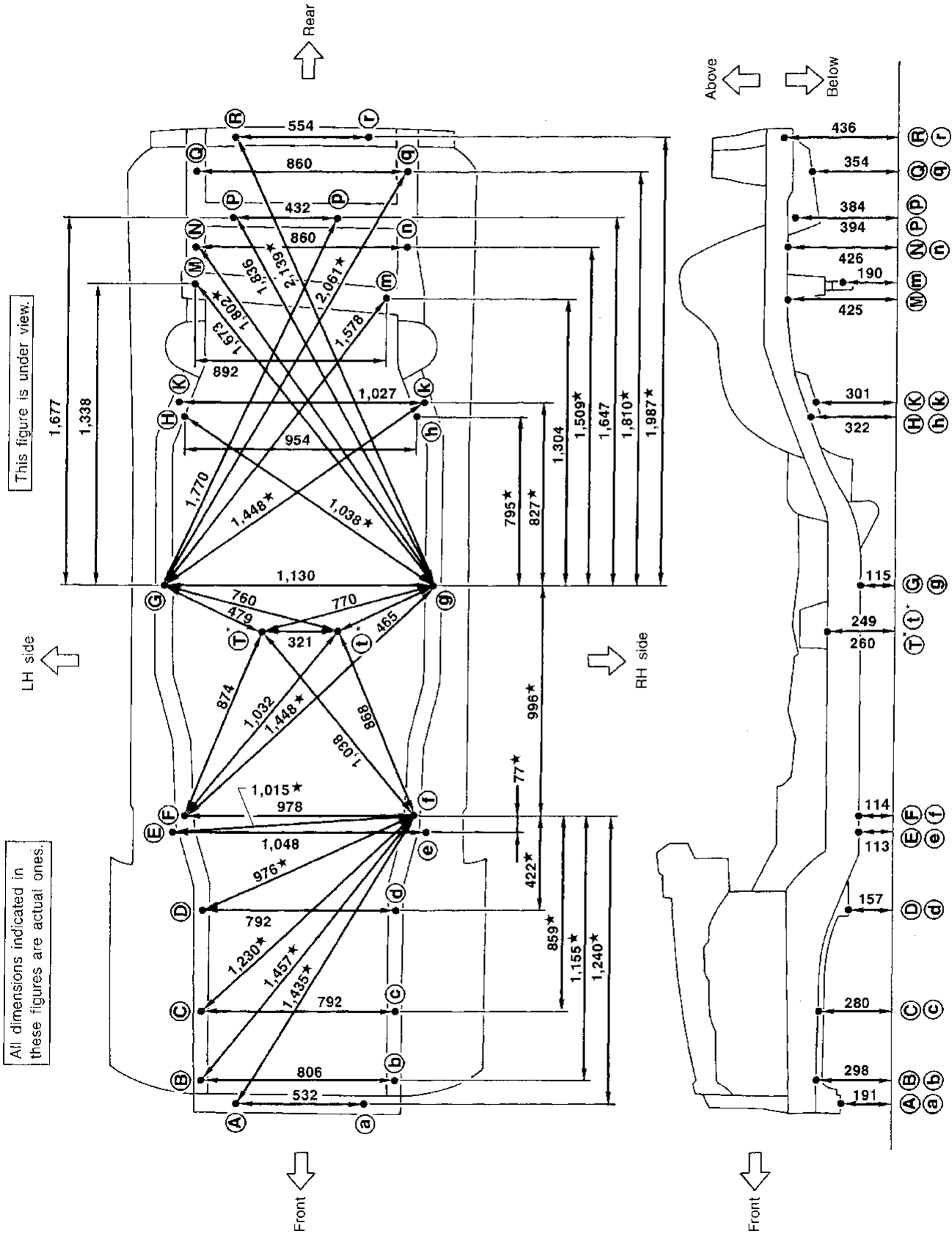
Unit: mm



# BODY ALIGNMENT

## Underbody

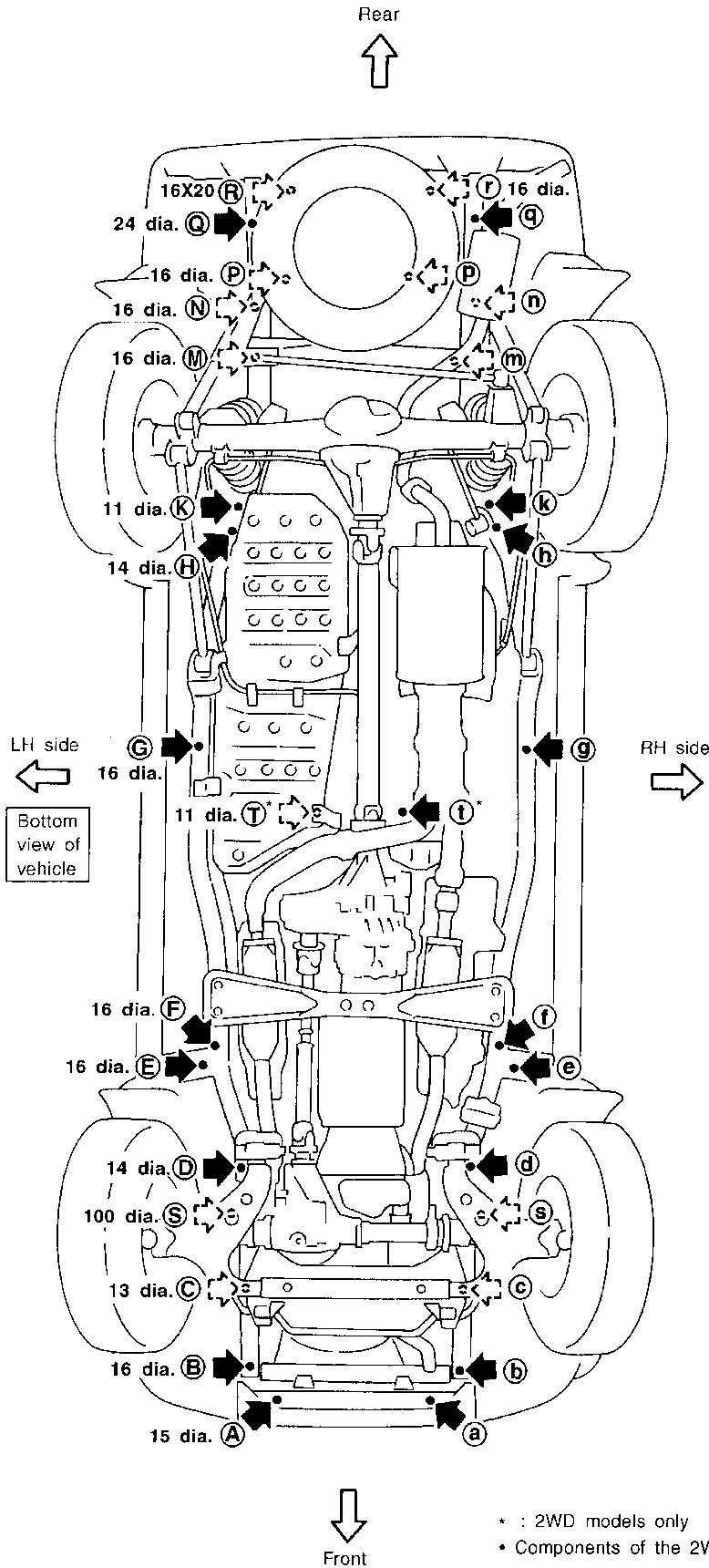
### MEASUREMENT



# BODY ALIGNMENT

## Underbody (Cont'd)

### MEASUREMENT POINTS



Front coordinates:

**(A, a)**  
X: 266  
Y: -580.4  
Z: 191.4

**(B, b)**  
X: 403  
Y: -500  
Z: 297.7

**(C, c)**  
X: 396  
Y: -201  
Z: 279.7

**(D, d)**  
X: 396  
Y: 228  
Z: 156.7

**(E, e)**  
X: 524  
Y: 568  
Z: 112.7

**(F, f)**  
X: 489  
Y: 637  
Z: 114.1

Rear coordinates:

**(G, g)**      **(P)**  
X: 565      X: -142  
Y: 1,630      Y: 3,230  
Z: 115      Z: 383.6

**(H, h)**      **(Q, q)**  
X: 476.9      X: 430  
Y: 2,392.6      Y: 3,419.3  
Z: 321.9      Z: 353.6

**(K, k)**      **(R, r)**  
X: 513.3      X: 277  
Y: 2,434.5      Y: 3,570  
Z: 301.4      Z: 435.6

**(M)**      **(T\*)**  
X: 446.1      X: 154.5  
Y: 2,960.2      Y: 1,431  
Z: 190      Z: 259.6

**(m)**      **(t\*)**  
X: -350      X: -166.5  
Y: 2,878      Y: 1,431  
Z: 424.8      Z: 248.6

**(N, n)**  
X: 430  
Y: 3,100  
Z: 426.2

**(P)**  
X: 290  
Y: 3,230  
Z: 394.1

Unit: mm

Front strut tower center coordinates:

**(S, s)**  
X: 499.9  
Y: 41.2  
Z: 748.9

