

FRONT & REAR AXLE

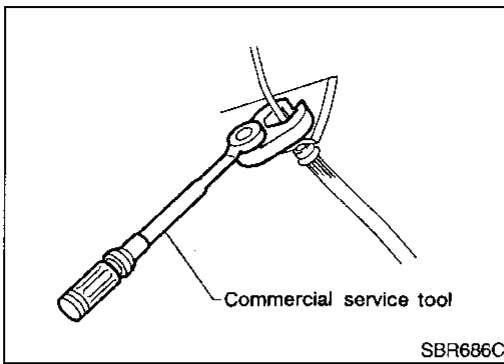
SECTION AX

CONTENTS

FRONT AXLE	2	INSPECTION.....	14	GI
Precautions.....	2	ASSEMBLY.....	14	MA
PRECAUTIONS.....	2	INSTALLATION.....	16	EM
Preparation.....	2	REAR AXLE	17	LC
SPECIAL SERVICE TOOLS.....	2	Precautions.....	17	EC
COMMERCIAL SERVICE TOOLS.....	2	PRECAUTIONS.....	17	FE
Noise, Vibration and Harshness (NVH)		Preparation.....	17	CL
Troubleshooting.....	3	SPECIAL SERVICE TOOLS.....	17	MT
NVH TROUBLESHOOTING CHART.....	3	COMMERCIAL SERVICE TOOLS.....	18	AT
On-vehicle Service.....	3	Noise, Vibration and Harshness (NVH)		TF
FRONT AXLE PARTS.....	3	Troubleshooting.....	18	PD
FRONT WHEEL BEARING.....	4	On-vehicle Service.....	18	AX
DRIVE SHAFT.....	5	REAR AXLE PARTS.....	18	SU
Wheel Hub and Rotor Disc.....	6	REAR WHEEL BEARING.....	18	BR
COMPONENTS.....	6	Components.....	19	ST
REMOVAL.....	7	Removal.....	19	RS
INSTALLATION.....	9	Inspection.....	21	BT
DISASSEMBLY.....	9	AXLE SHAFT.....	21	HA
INSPECTION.....	9	BEARING CAGE.....	21	SC
ASSEMBLY.....	10	REAR AXLE HOUSING.....	21	EL
Knuckle Spindle.....	10	Installation.....	21	IDX
REMOVAL.....	10	SERVICE DATA AND SPECIFICATIONS (SDS)	23	
INSPECTION.....	11	Wheel Bearing (Front).....	23	
INSTALLATION.....	11	Drive Shaft (4WD).....	23	
Drive Shaft.....	12	DRIVE SHAFT END SNAP RING.....	23	
COMPONENTS.....	12	Wheel Bearing (Rear).....	23	
REMOVAL.....	12			
DISASSEMBLY.....	13			

FRONT AXLE

Precautions



Precautions

PRECAUTIONS

NAAAX0001

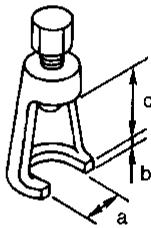
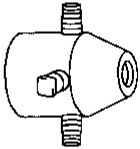
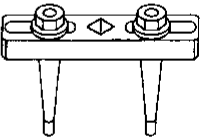
- When installing rubber parts, final tightening must be carried out under unladen condition* with tires on ground.
*Fuel, radiator coolant and engine oil full. Spare tire, jack, hand tools and mats in designated positions.
- Use flare nut wrench when removing and installing brake tubes.
- After installing removed suspension parts, check wheel alignment and adjust if necessary.
- Always torque brake lines when installing.

Preparation

SPECIAL SERVICE TOOLS

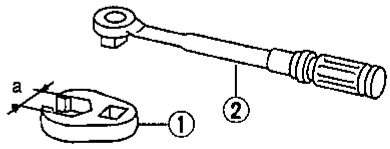
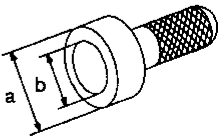
NAAAX0002

The actual shapes of Kent-Moore tools may differ from those of special service tools illustrated here.

Tool number (Kent-Moore No.) Tool name	Description
ST29020001 (J24319-01) Ball joint remover	 <p>Removing tie-rod outer end and lower ball joint a: 34 mm (1.34 in) b: 6.5 mm (0.256 in) c: 61.5 mm (2.421 in)</p>
KV401021S0 (—) Bearing race drift	 <p>Installing wheel bearing outer race</p>
KV40105400 (J36001) Wheel bearing lock nut wrench	 <p>Removing and installing wheel bearing lock nut</p>

COMMERCIAL SERVICE TOOLS

NAAAX0003

Tool name	Description
1 Flare nut crowfoot 2 Torque wrench	 <p>Removing and installing each brake piping a: 10 mm (0.39 in)</p>
Hub cap drift	 <p>Installing hub cap (2WD) a: 85 mm (3.35 in) dia. b: 72 mm (2.83 in) dia. Installing hub cap (4WD) a: 57 mm (2.24 in) dia. b: 46 mm (1.81 in) dia.</p>

FRONT AXLE

Noise, Vibration and Harshness (NVH) Troubleshooting

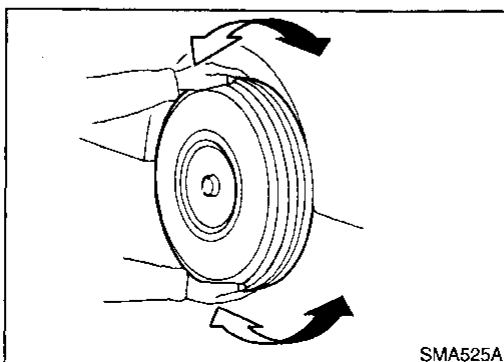
Noise, Vibration and Harshness (NVH) Troubleshooting

NVH TROUBLESHOOTING CHART

Use the chart below to help you find the cause of the symptom. If necessary, repair or replace these parts.

Reference page			—	AX-14	—	AX-6, 19	—	AX-4, 18	NVH in PD section	NVH in PD section	Refer to DRIVE SHAFT in this chart.	Refer to AXLE in this chart.	NVH in SU section	NVH in SU section	NVH in SU section	NVH in BR section	NVH in ST section	
Possible cause and SUSPECTED PARTS			Excessive joint angle	Joint sliding resistance	Imbalance	Improper installation, looseness	Parts interference	Wheel bearing damage	PROPELLER SHAFT	DIFFERENTIAL	DRIVE SHAFT	AXLE	SUSPENSION	TIRES	ROAD WHEEL	BRAKES	STEERING	
Symptom	DRIVE SHAFT	Noise, Vibration	x	x					x	x		x	x	x	x	x	x	
		Shake	x		x				x			x	x	x	x	x	x	
	AXLE	Noise				x	x		x	x	x		x	x	x	x	x	x
		Shake				x	x		x		x		x	x	x	x	x	x
		Vibration				x	x		x		x		x	x				x
		Shimmy				x	x							x	x	x	x	x
		Judder				x								x	x	x	x	x
Poor quality ride or handling				x	x	x						x	x	x				

x: Applicable



On-vehicle Service FRONT AXLE PARTS

Check front axle parts for excessive play, cracks, wear and other damage.

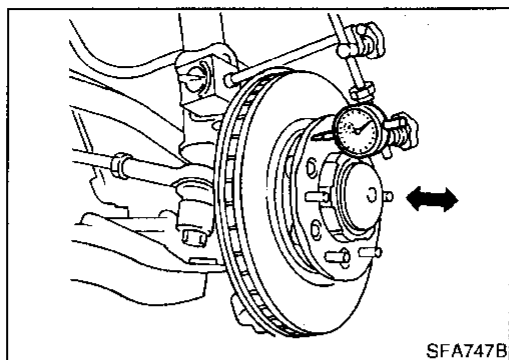
1. Shake each front wheel to check for excessive play.
2. Retighten all nuts and bolts to the specified torque.

Tightening torque:

Refer to "Wheel Hub and Rotor Disc", AX-6.

FRONT AXLE

On-vehicle Service (Cont'd)



FRONT WHEEL BEARING

NAAX0005

1. Check that wheel bearings operate smoothly.
2. Check axial end play.
Axial end play: 0 mm (0 in)
3. Adjust wheel bearing preload if there is any axial end play or wheel bearing does not turn smoothly.

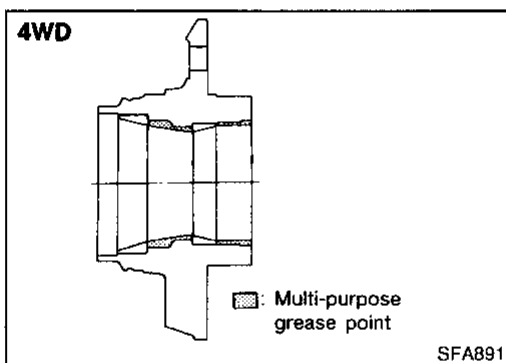
Preload Adjustment

NAAX0005S01

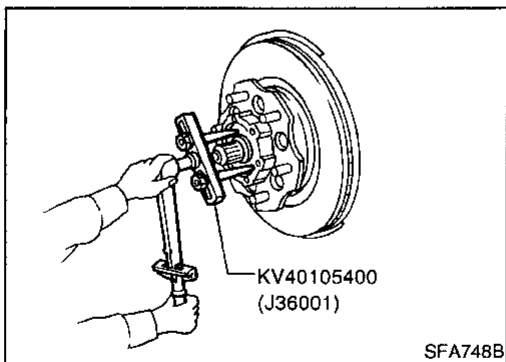
Adjust wheel bearing preload after wheel bearing has been replaced or front axle has been reassembled.

Adjust wheel bearing preload as follows:

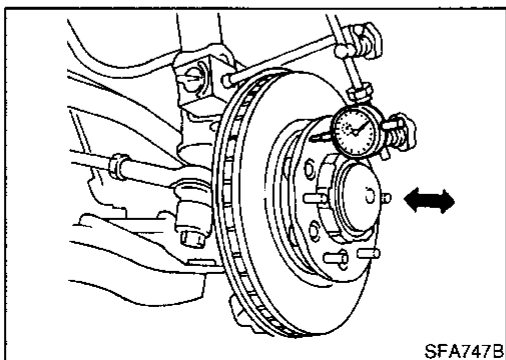
1. Before adjustment, thoroughly clean all parts to prevent dirt entry.



2. Apply multi-purpose grease sparingly to the following parts:
 - Threaded portion of spindle
 - Contact surface between wheel bearing lock washer (chamfered side) and outer wheel bearing
 - Grease seal lip
 - Wheel hub (as shown at left) — 4WD —



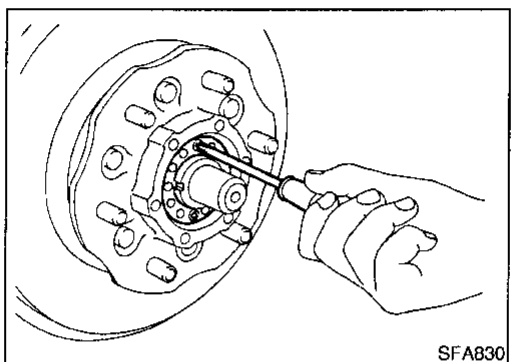
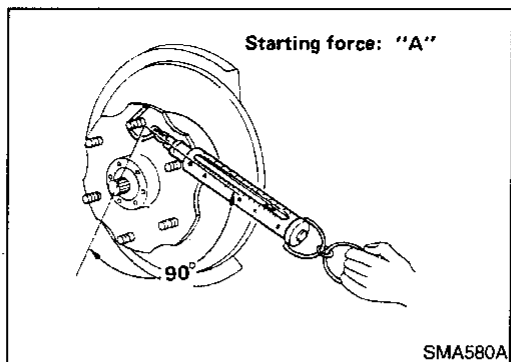
3. Tighten wheel bearing lock nut with Tool.
☑ : 78 - 98 N·m (8 - 10 kg-m, 58 - 72 ft-lb)
4. Turn wheel hub several times in both directions.
5. Loosen wheel bearing lock nut so that torque becomes 0 N·m (0 kg-m, 0 ft-lb).
6. Retighten wheel bearing lock nut with Tool.
☑ : 0.5 - 1.5 N·m (0.05 - 0.15 kg-m, 4.3 - 13.0 in-lb)



7. Turn wheel hub several times in both directions.
8. Retighten wheel bearing lock nut with Tool.
☑ : 0.5 - 1.5 N·m (0.05 - 0.15 kg-m, 4.3 - 13.0 in-lb)
9. Measure wheel bearing axial end play.
Axial end play: 0 mm (0 in)

FRONT AXLE

On-vehicle Service (Cont'd)



10. Measure starting force "A" at wheel hub bolt.

11. Install lock washer by tightening the lock nut within 15 to 30 degrees.

12. Turn wheel hub several times in both directions to seat wheel bearing correctly.

13. Measure starting force "B" at wheel hub bolt. Refer to procedure 10.

14. Wheel bearing preload "C" can be calculated as shown below.

$$C = B - A$$

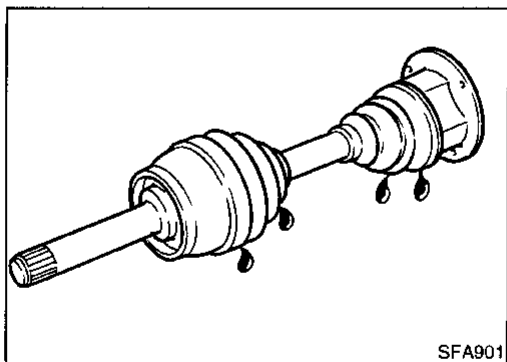
Wheel bearing preload "C":

7.06 - 20.99 N (0.72 - 2.14 kg, 1.59 - 4.72 lb)

15. If wheel bearing preload "C" is outside specifications, remove lock washer. Tighten or loosen lock nut within ± 15 degrees (Refer to step 11 above). Install lock washer, then repeat steps 12, 13 and 14.

16. Repeat above procedures until correct axial end play and wheel bearing preload are obtained.

17. Install drive flange (4WD models) and wheel hub cap.



DRIVE SHAFT

- Check boot and drive shaft for cracks, wear, damage and grease leakage.

NAAAX0006

GI

MA

EM

LC

EC

FE

CL

MT

AT

TF

PD

AX

SU

BR

ST

RS

BT

HA

SC

EL

IDX

FRONT AXLE

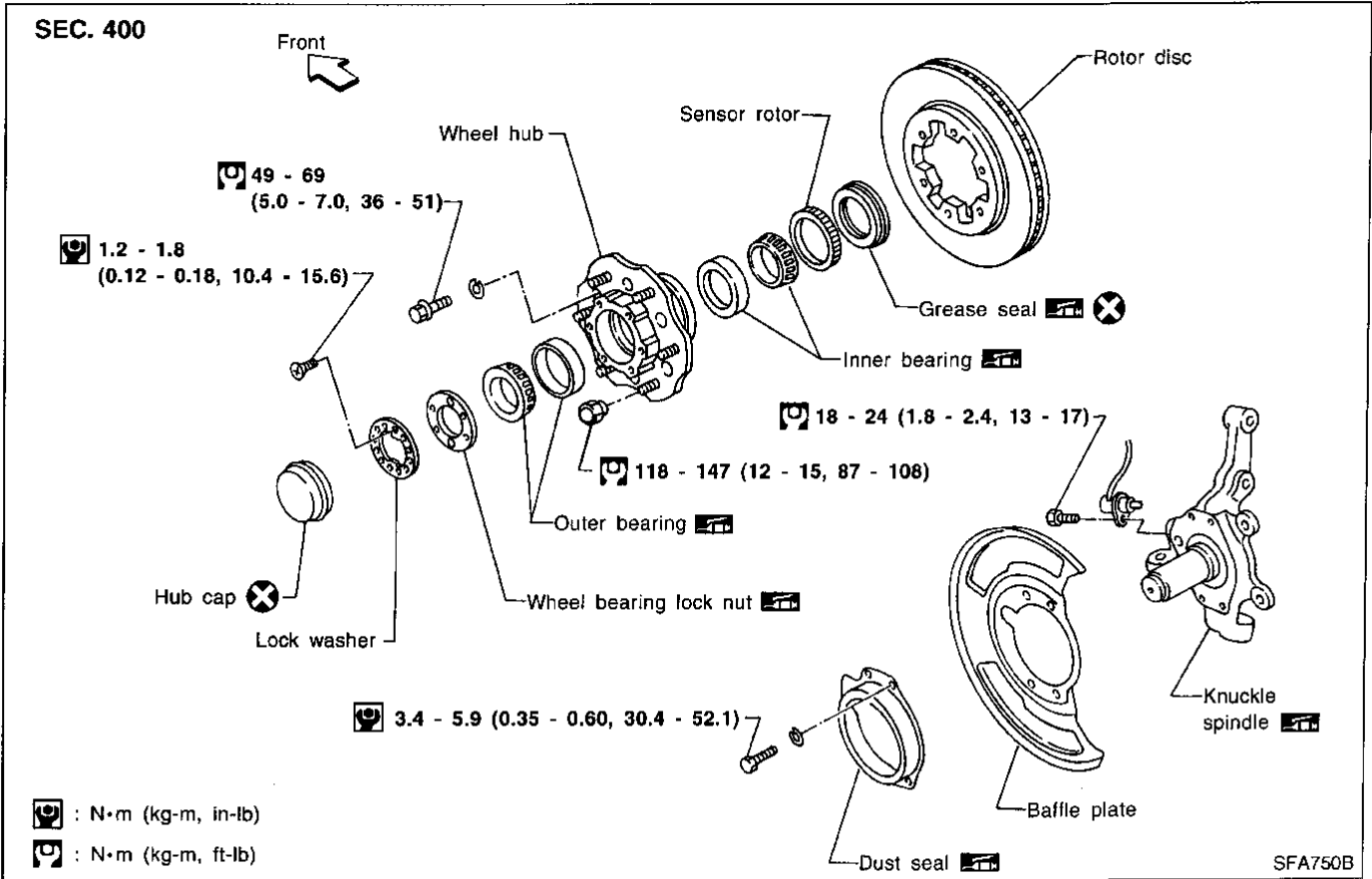
Wheel Hub and Rotor Disc

Wheel Hub and Rotor Disc

COMPONENTS 2WD Model

NAAAX0007

NAAAX0007S01

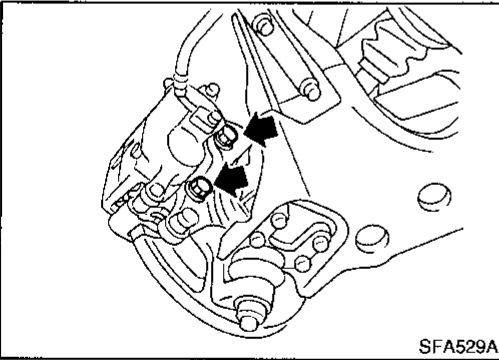
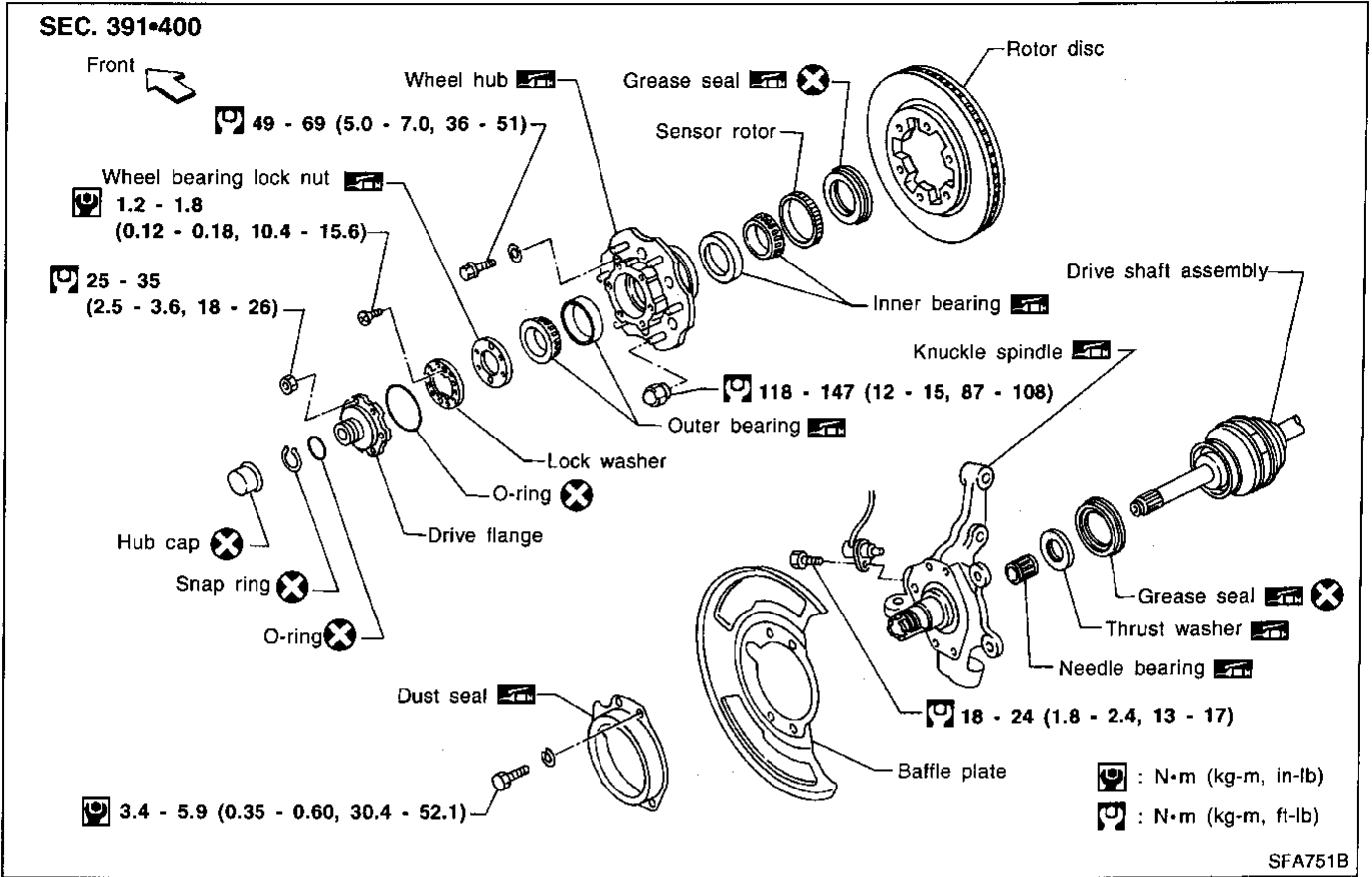


FRONT AXLE

Wheel Hub and Rotor Disc (Cont'd)

4WD Model

NAAAX0007S02



REMOVAL

CAUTION:

Before removing the front axle assembly, disconnect the ABS wheel sensor from the assembly. Then move it away from the front axle assembly area. Failure to do so may result in damage to the sensor wires and the sensor becoming inoperative.

1. Remove brake caliper assembly.

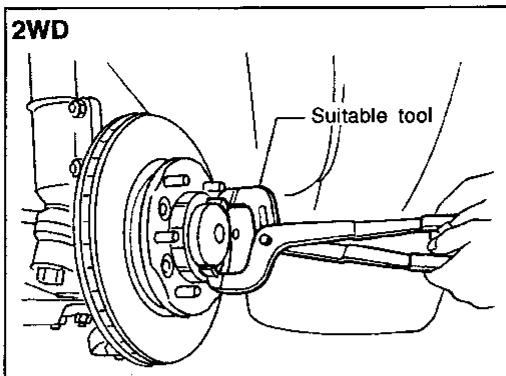
Brake hose need not be disconnected from brake caliper. In this case, suspend caliper assembly with wire so as not to stretch brake hose.

Be careful not to depress brake pedal, or piston will pop out. Make sure brake hose is not twisted.

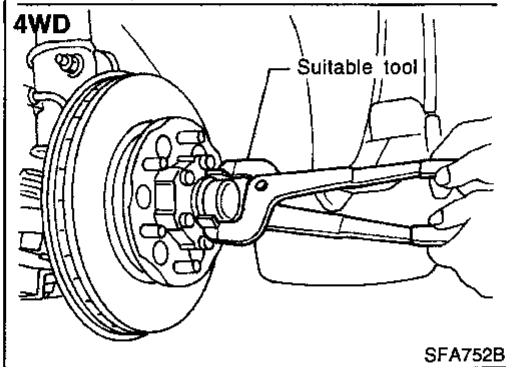
GI
MA
EM
LC
EC
FE
CL
MT
AT
TF
PD
AX
SU
BR
ST
RS
BT
HA
SC
EL
IDX

FRONT AXLE

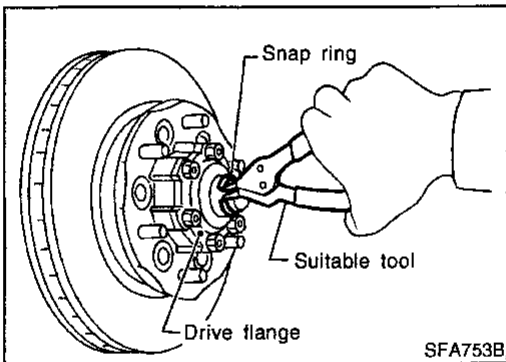
Wheel Hub and Rotor Disc (Cont'd)



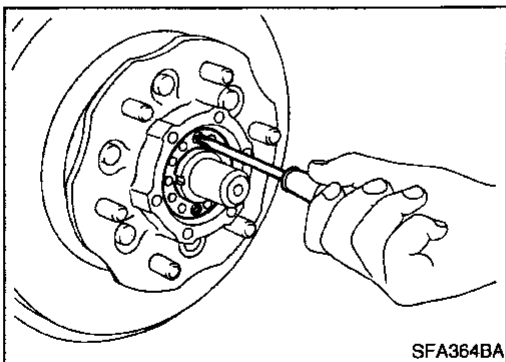
2. Remove hub cap with suitable tool.



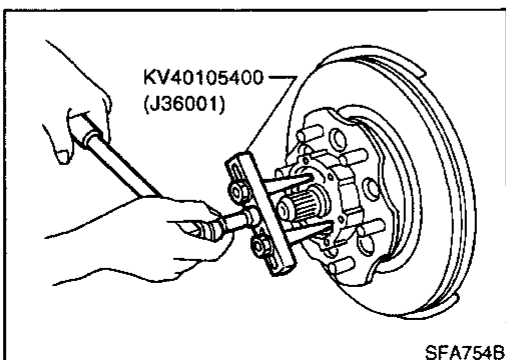
SFA752B



3. Remove snap ring with suitable tool. — 4WD —
4. Remove drive flange. — 4WD —



5. Remove lock washer.

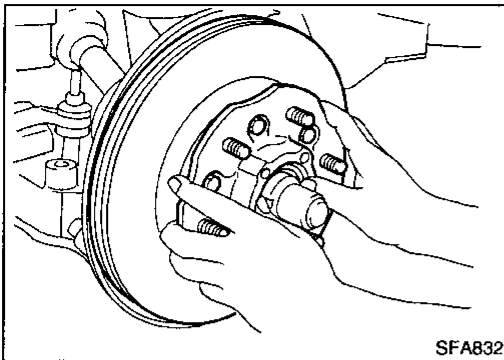


6. Remove wheel bearing lock nut.

SFA754B

FRONT AXLE

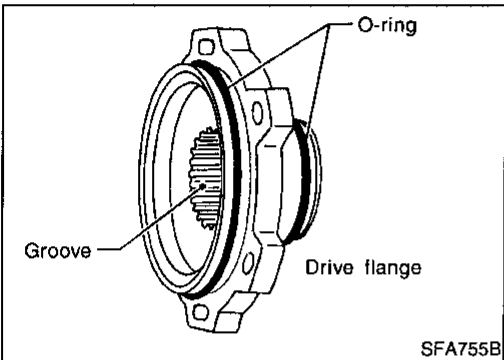
Wheel Hub and Rotor Disc (Cont'd)



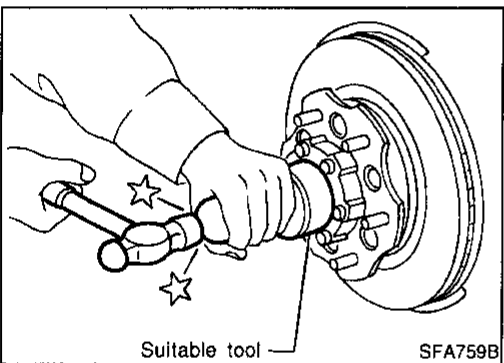
7. Remove wheel hub and wheel bearing.
Be careful not to drop outer bearing.

INSTALLATION

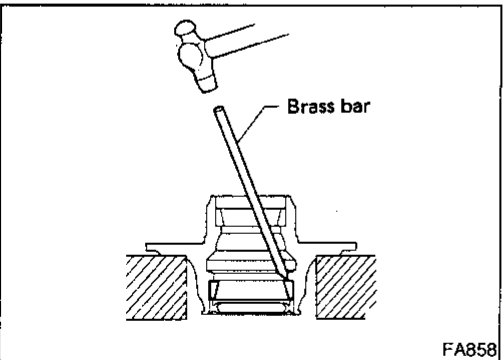
1. After installing wheel hub and wheel bearing, adjust wheel bearing preload. NAAAX0009
Refer to "Preload Adjustment", "FRONT WHEEL BEARING", "On-vehicle Service", AX-4.



2. Pack drive flange groove with grease, apply grease to O-ring (two places) and mating surface of drive flange, and install flange. — 4WD —
3. Install snap ring. — 4WD —



4. Install hub cap using a suitable tool.
Do not reuse hub cap. When installing, replace it with a new one.



DISASSEMBLY

- Remove grease seal and bearing outer races with suitable brass bar. NAAAX0010

INSPECTION

Thoroughly clean wheel bearings and wheel hub. NAAAX0011

Wheel Bearing

- Make sure wheel bearing rolls freely and is free from noise, crack, pitting and wear. NAAAX0011S01

Wheel Hub

- Check wheel hub for crack by using a magnetic exploration or dyeing test. NAAAX0011S02

GI

MA

EM

LC

EC

FE

CL

MT

AT

TF

PD

AX

SU

BR

ST

RS

BT

HA

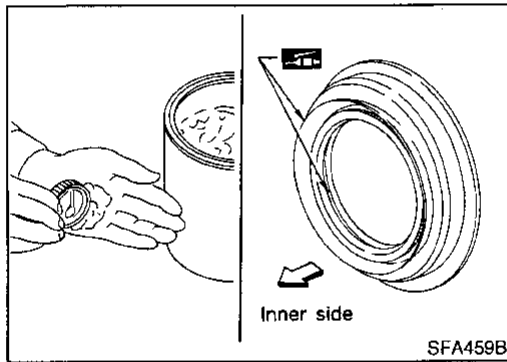
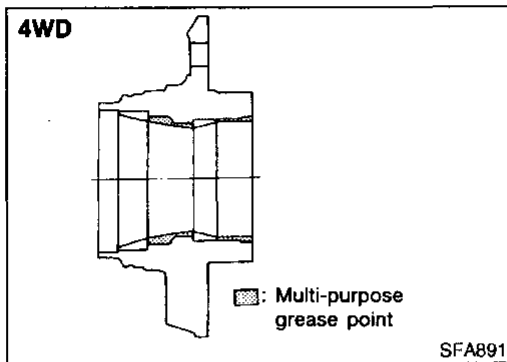
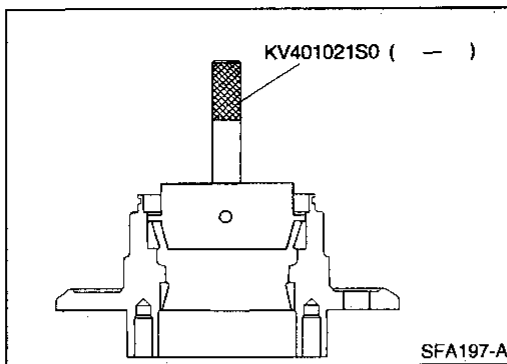
SC

EL

IDX

FRONT AXLE

Wheel Hub and Rotor Disc (Cont'd)



ASSEMBLY

NAAAX0012

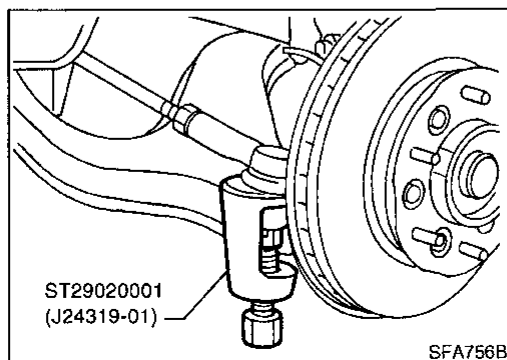
1. Install bearing outer race with Tool until it seats in hub.
2. Pack multi-purpose grease into wheel hub. — 4WD —
3. Apply multi-purpose grease to each bearing cone.
4. Pack grease seal lip with multi-purpose grease, then install it into wheel hub with suitable drift.

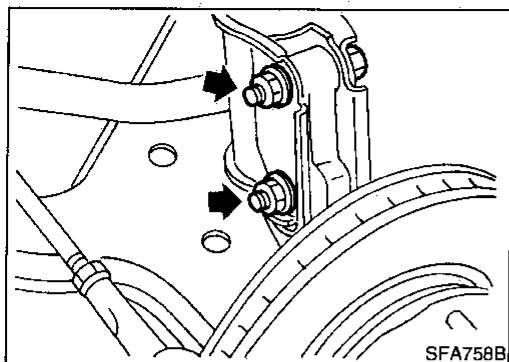
Knuckle Spindle

REMOVAL

NAAAX0013

1. Remove drive shaft. — 4WD —
Refer to "Drive Shaft", AX-12.
 2. Separate tie-rod end and lower ball joint from knuckle with Tool.
- Install stud nut conversely on stud bolt so as not to damage stud bolt.**





3. Separate knuckle from strut.

INSPECTION

Knuckle Spindle

- Check knuckle spindle for deformation, cracks and other damage by using a magnetic exploration or dyeing test.

Needle Bearing — 4WD —

- Check needle bearing for wear, scratches, pitting, flaking and burn marks.

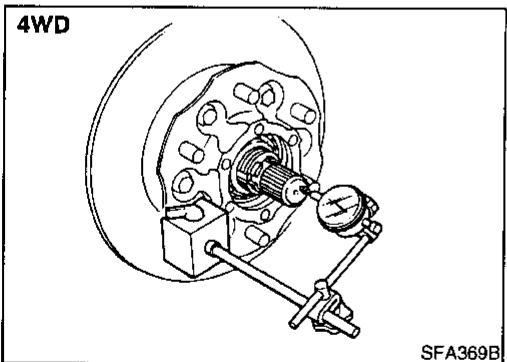
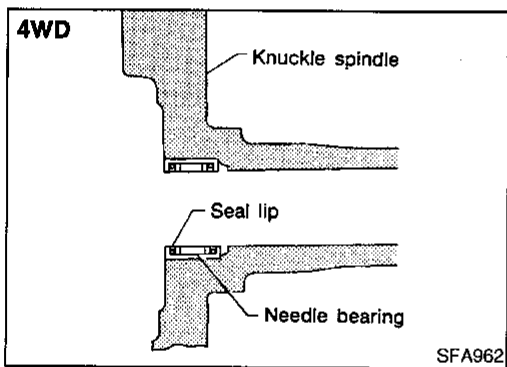
INSTALLATION

1. Install needle bearing into knuckle spindle. — 4WD —

Make sure that needle bearing is facing in proper direction. Apply multi-purpose grease.

2. Install knuckle with wheel hub.
3. Install tie-rod end and lower ball joint.

4. After installing knuckle spindle, adjust wheel bearing preload. Refer to "Preload Adjustment", "FRONT WHEEL BEARING", "On-vehicle Service", AX-4.
5. After installing drive shaft, check drive shaft axial end play. **Do not reuse snap ring once it has been removed.** Refer to "Drive Shaft", AX-12.



GI

MA

EM

LC

EC

NAAAX0014

NAAAX0014S01

FE

NAAAX0014S02

CL

MT

AT

NAAAX0015

TF

PD

AX

SU

BR

ST

RS

BT

HA

SC

EL

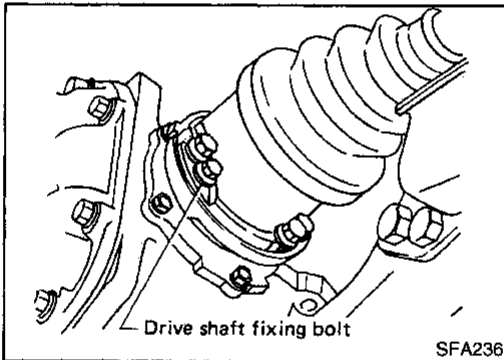
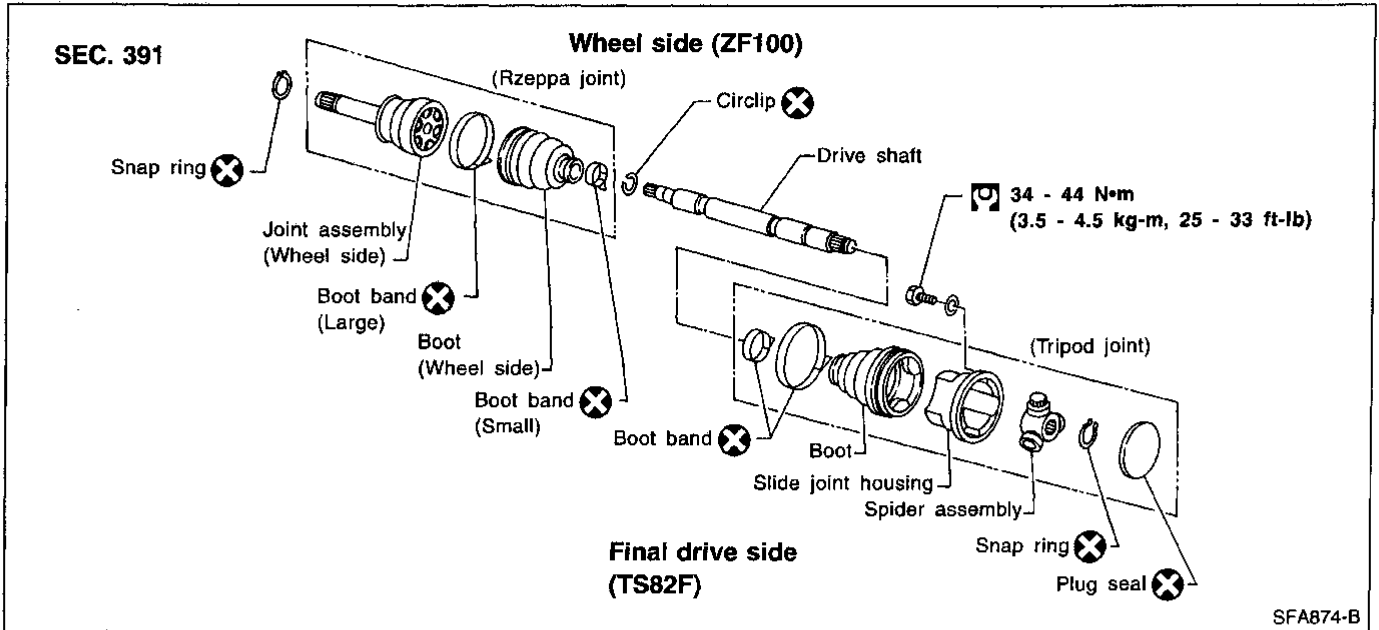
IDX

FRONT AXLE

Drive Shaft

Drive Shaft COMPONENTS

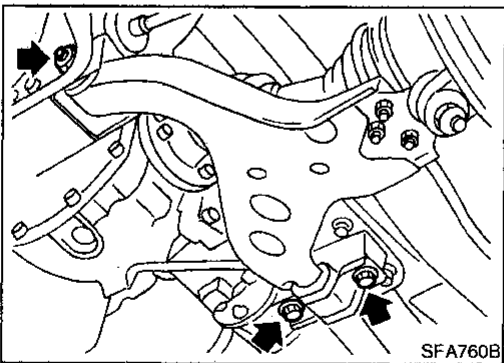
NAAAX0016



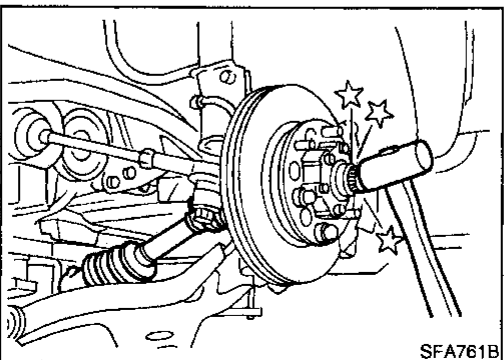
REMOVAL

NAAAX0017

1. Remove hub cap and snap ring.
Refer to "REMOVAL", "Wheel Hub and Rotor Disc", AX-7.
2. Remove bolts fixing drive shaft to final drive.



3. Remove transverse link fixing nut and bolts.

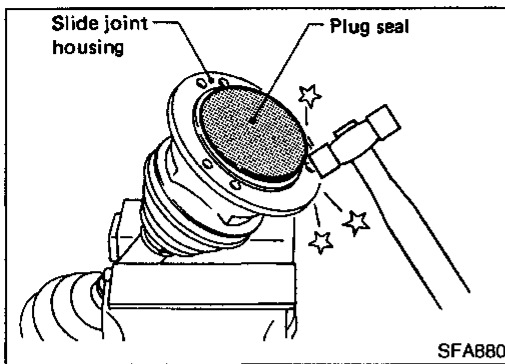


4. Separate drive shaft from knuckle by lightly tapping it with a copper hammer.

Cover boots with shop towel so as not to damage them when removing drive shaft.

FRONT AXLE

Drive Shaft (Cont'd)



DISASSEMBLY

Final Drive Side (TS82F)

GI

MAAX0018

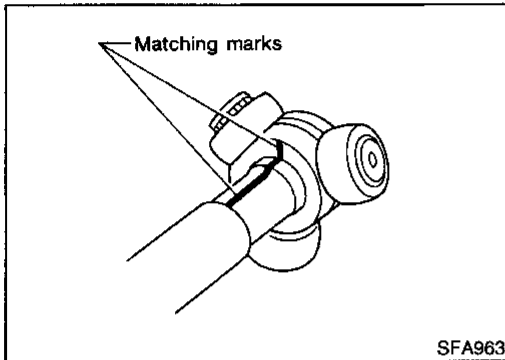
MAAX0018S01

1. Remove plug seal from slide joint housing by lightly tapping around slide joint housing.
2. Remove boot bands.

MA

EM

LC



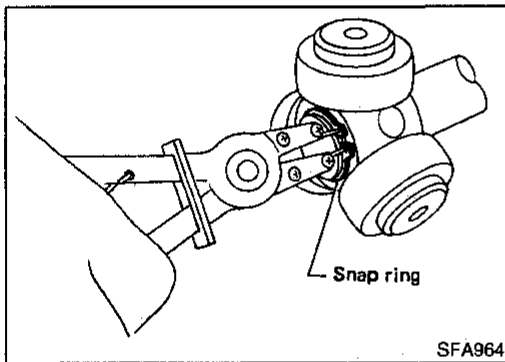
3. Move boot and slide joint housing toward wheel side, and put matching marks.

EC

FE

CL

MT



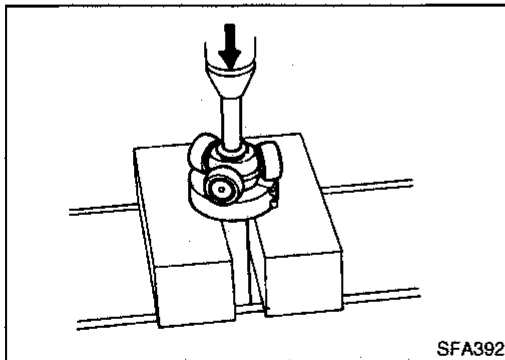
4. Remove snap ring.

AT

TF

PD

AX



5. Detach spider assembly with press.

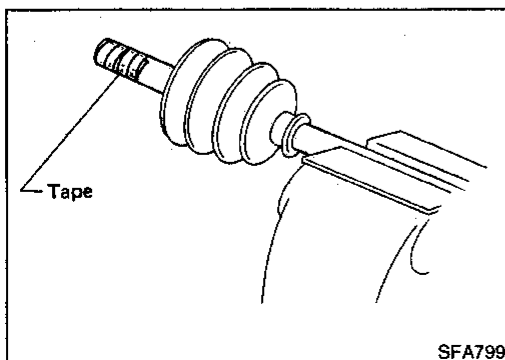
SU

BR

ST

RS

BT



6. Draw out boot.

Cover drive shaft serration with tape so as not to damage the boot.

HA

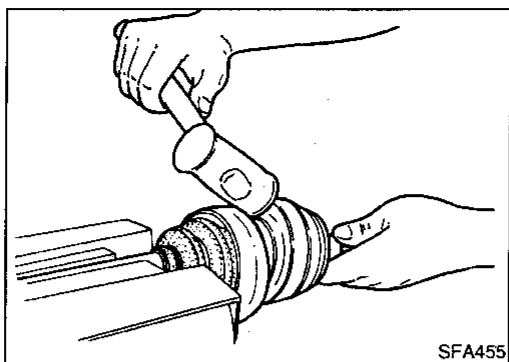
SC

EL

IDX

FRONT AXLE

Drive Shaft (Cont'd)



Wheel Side (ZF100)

NAAAX0018S02

CAUTION:

The joint on the wheel side cannot be disassembled.

- Before separating joint assembly, put matching marks on drive shaft and joint assembly.
- Separate joint assembly with suitable tool.

Be careful not to damage threads on drive shaft.

- Remove boot bands.

INSPECTION

NAAAX0019

Thoroughly clean all parts in cleaning solvent, and dry with compressed air. Check parts for evidence of deformation and other damage.

Drive Shaft

NAAAX0019S01

Replace drive shaft if it is twisted or cracked.

Boot

NAAAX0019S02

Check boot for fatigue, cracks, and wear. Replace boot with new boot bands.

Joint Assembly (Final drive side)

NAAAX0019S03

- Replace any parts of double offset joint which show signs of scorching, rust, wear or excessive play.
- Check serration for deformation. Replace if necessary.
- Check slide joint housing for any damage. Replace if necessary.

Joint Assembly (Wheel side)

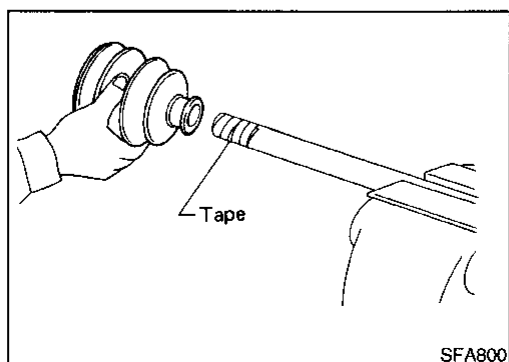
NAAAX0019S04

Replace joint assembly if it is deformed or damaged.

ASSEMBLY

NAAAX0020

- After drive shaft has been assembled, ensure that it moves smoothly over its entire range without binding.
- Use NISSAN GENUINE GREASE or equivalent after every overhaul.



Final Drive Side (TS82F)

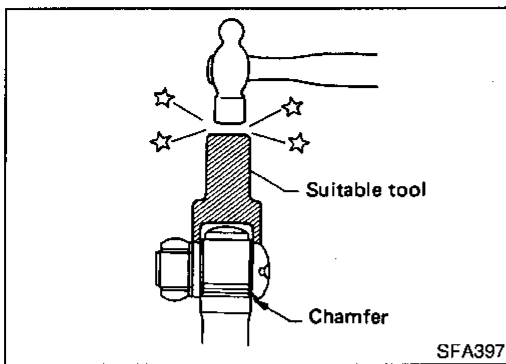
NAAAX0020S01

1. Install new small boot band, boot and side joint housing to drive shaft.

Cover drive shaft serration with tape so as not to damage boot during installation.

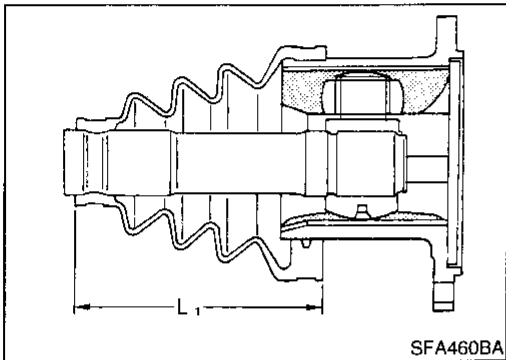
FRONT AXLE

Drive Shaft (Cont'd)



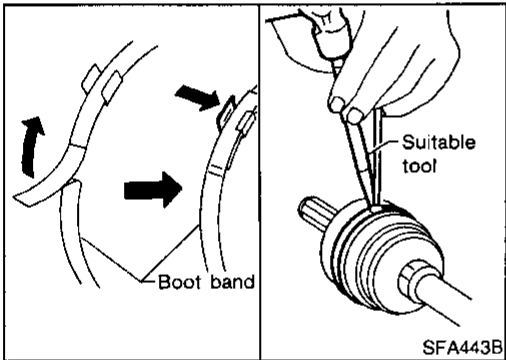
2. Install spider assembly securely, ensuring marks are properly aligned.
 - **Press-fit with spider assembly serration chamfer facing shaft.**
3. Install new snap ring.

GI
MA
EM
LC



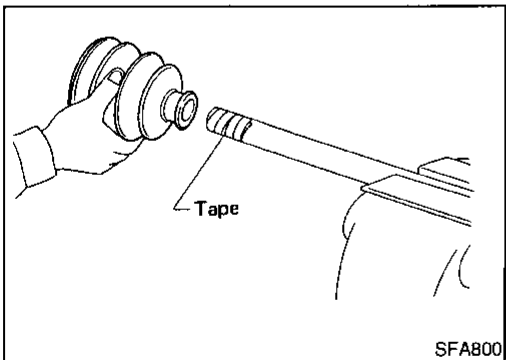
4. Pack with grease.
 - Specified amount of grease:**
95 - 105 g (3.35 - 3.70 oz)
5. Make sure that boot is properly installed on the drive shaft groove. Set boot so that it does not swell and deform when its length is "L₁".
 - Length "L₁": 95 - 97 mm (3.74 - 3.82 in)**

EC
FE
CL



6. Lock new larger boot band securely with a suitable tool, then lock new smaller boot band.
7. Install new plug seal to slide joint housing by lightly tapping it.
 - Apply sealant to mating surface of plug seal.**

MT
AT



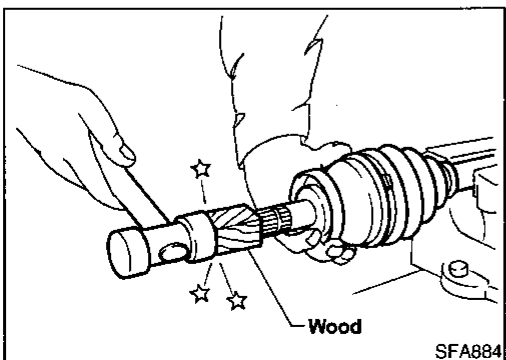
Wheel Side (ZF100)

NAAX0020S02

1. Install new small boot band and boot on drive shaft.
 - Cover drive shaft serration with tape so as not to damage boot during installation.**

TF
PD

AX
SU



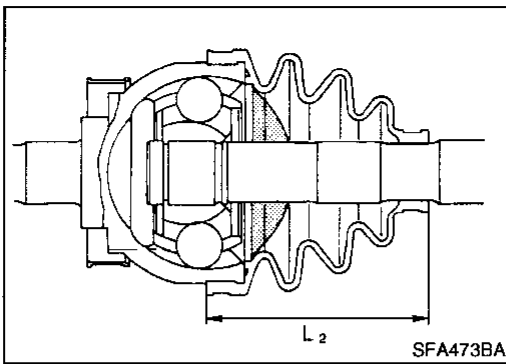
2. Set joint assembly onto drive shaft by lightly tapping it. Install joint assembly securely, ensuring marks which were made during disassembly are properly aligned.

BR
ST
RS
BT

HA
SC
EL
IDX

FRONT AXLE

Drive Shaft (Cont'd)

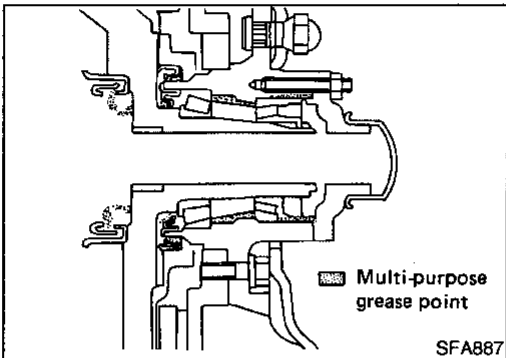


3. Pack drive shaft with specified amount of grease.
Specified amount of grease:
135 - 145 g (4.76 - 5.11 oz)
4. Make sure that boot is properly installed on the drive shaft groove. Set boot so that it does not swell and deform when its length is "L₂".
Length "L₂": 96 - 98 mm (3.78 - 3.86 in)
5. Lock new larger boot band securely with a suitable tool.
6. Lock new smaller boot band.

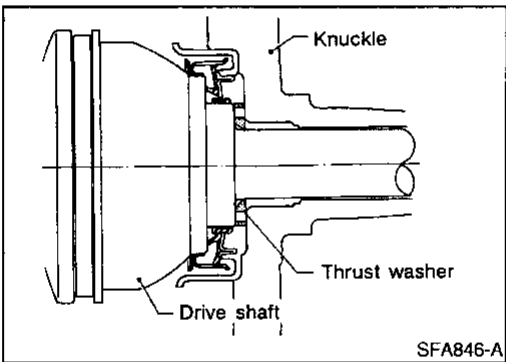
INSTALLATION

NAAX0021

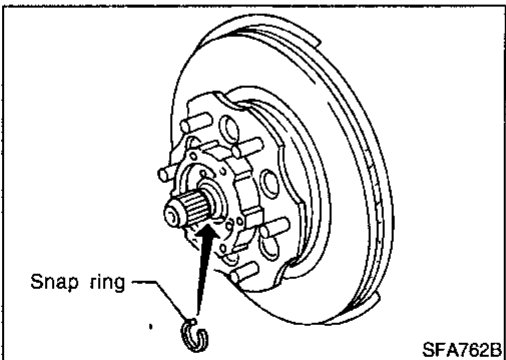
1. Apply multi-purpose grease.



2. Install thrust washer onto drive shaft.
Make sure that thrust washer is facing in proper direction, apply multi-purpose grease.

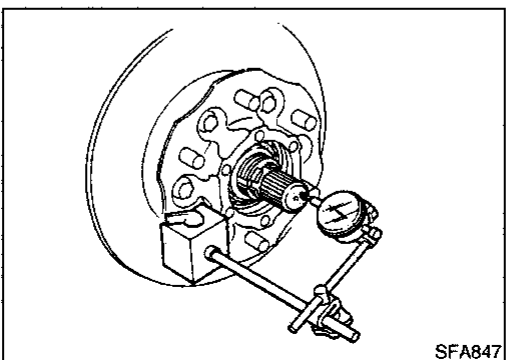


3. When installing drive shaft, adjust drive shaft axial end play by selecting a suitable snap ring.
 - a. Temporarily install new snap ring on drive shaft in the same thickness as it was installed before removal.



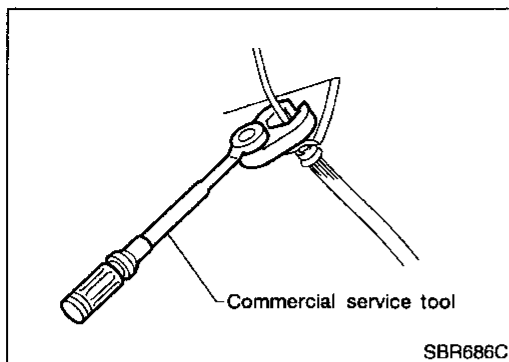
- b. Set dial gauge on drive shaft end.
- c. Measure axial end play of drive shaft.
Axial end play: 0.45 mm (0.0177 in) or less
- d. If axial end play is not within the specified limit, select another snap ring.

1.1 mm (0.043 in)	1.9 mm (0.075 in)
1.3 mm (0.051 in)	2.1 mm (0.083 in)
1.5 mm (0.059 in)	2.3 mm (0.091 in)
1.7 mm (0.067 in)	



REAR AXLE

Precautions



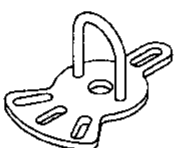
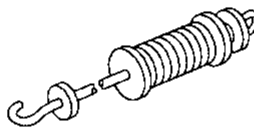
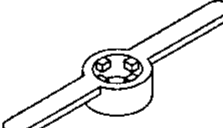
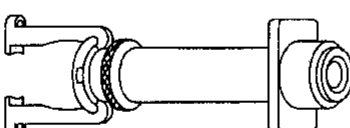
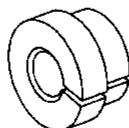
Precautions PRECAUTIONS

- When installing rubber parts, final tightening must be carried out under unladen condition* with tires on ground. *Fuel, radiator coolant and engine oil full. Spare tire, jack, hand tools and mats in designated positions.
- Use flare nut wrench when removing and installing brake tubes.
- After installing removed suspension parts, check wheel alignment and adjust if necessary.
- Always torque brake lines when installing.

Preparation

SPECIAL SERVICE TOOLS

The actual shapes of Kent-Moore tools may differ from those of special service tools illustrated here.

Tool number (Kent-Moore No.) Tool name	Description	
KV40101000 (J25604-01) Axle stand	 NT159	Removing rear axle shaft
ST36230000 (J25840-A) Sliding hammer	 NT126	Removing rear axle shaft
ST38020000 (—) Bearing lock nut wrench	 NT160	Removing wheel bearing lock nut
HT72480000 or HT72210000 (J25852-B) Rear axle shaft bearing puller	 NT161	Removing wheel bearing
ST37840000 (—) Rear axle shaft guide	 NT162	Installing rear axle shaft

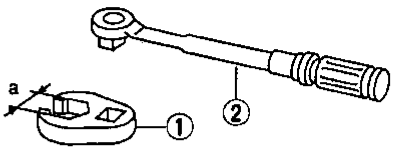
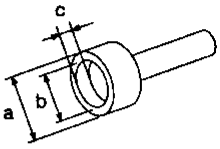
GI
MA
EM
LC
EC
FE
CL
MT
AT
TF
PD
AX
SU
BR
ST
RS
BT
HA
SC
EL
IDX

REAR AXLE

Preparation (Cont'd)

COMMERCIAL SERVICE TOOLS

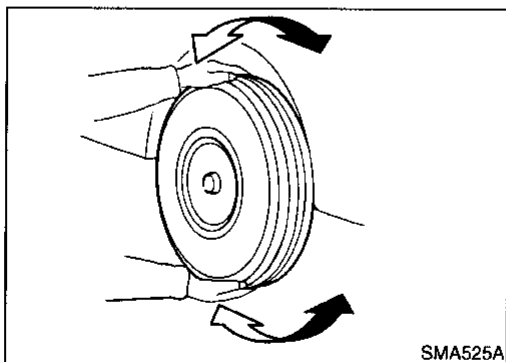
NAAX0025

Tool name	Description
1 Flare nut crowfoot 2 Torque wrench	 <p>Removing and installing each brake piping a: 10 mm (0.39 in)</p> <p>NT360</p>
Rear axle oil seal drift	 <p>Installing oil seal a: 74 mm (2.91 in) dia. b: 68 mm (2.68 in) dia. c: 10 mm (0.39 in)</p> <p>NT163</p>

Noise, Vibration and Harshness (NVH) Troubleshooting

Refer to "Noise, Vibration and Harshness (NVH) Troubleshooting", "FRONT AXLE", AX-3.

NAAX0035



On-vehicle Service

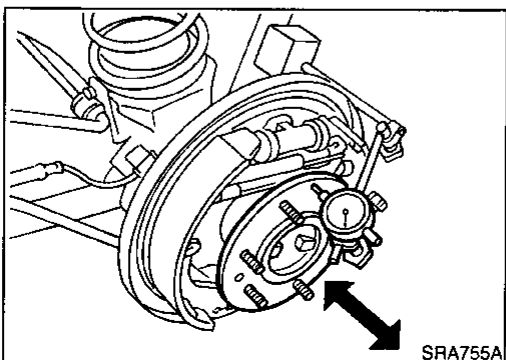
REAR AXLE PARTS

Check rear axle parts for excessive play, wear and damage.

1. Shake each rear wheel to check for excessive play.
2. Retighten all nuts and bolts to the specified torque.

Tightening torque: Refer to "Components", AX-19.

NAAX0026



REAR WHEEL BEARING

1. Check that wheel bearings operate smoothly.
2. Check axial end play.

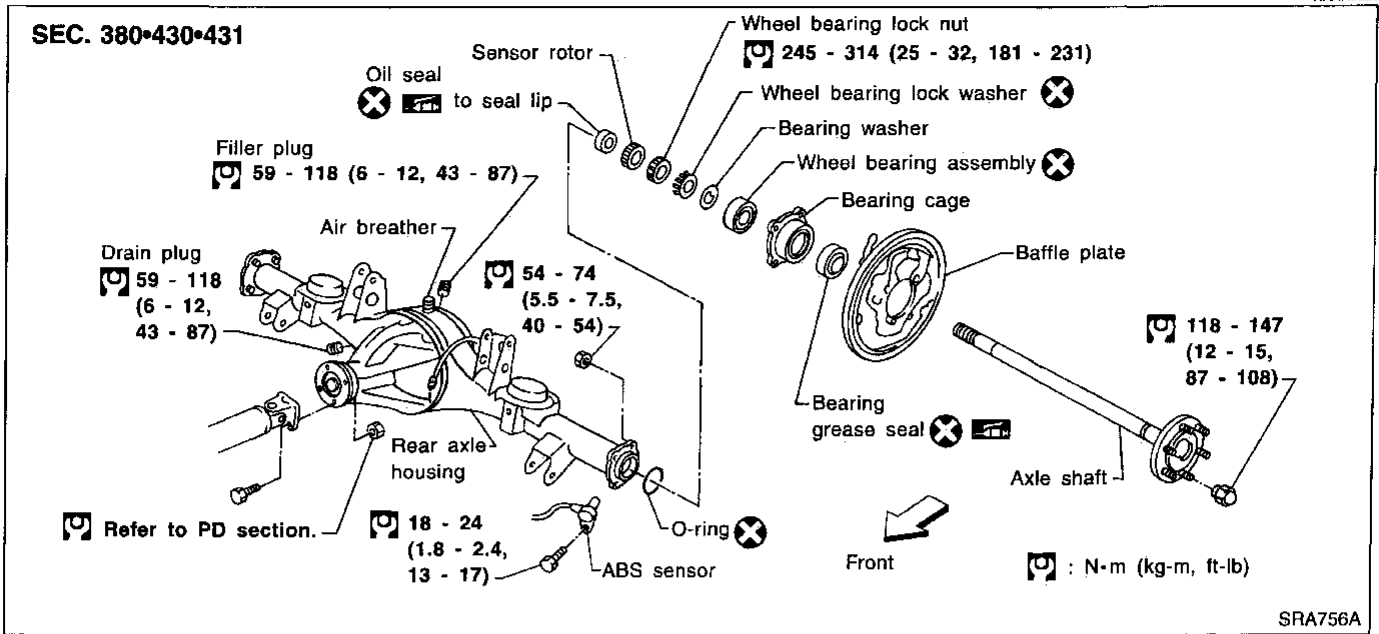
Axial end play:

0 mm (0 in)

NAAX0027

Components

NAAX0028



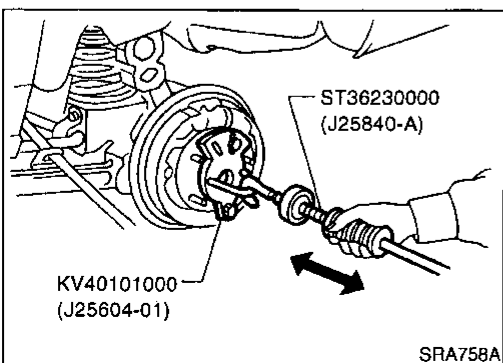
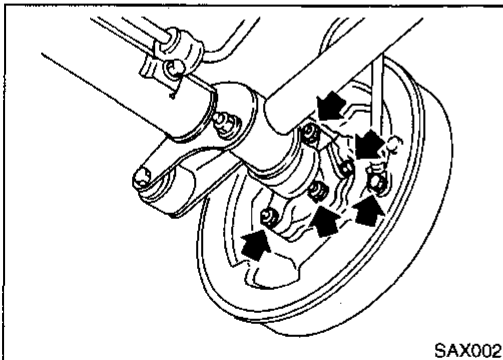
Removal

NAAX0029

CAUTION:

- Before removing the rear axle, disconnect the ABS wheel sensor from the assembly. Then move it away from the axle. Failure to do so may result in damage to the sensor wires and the sensor becoming inoperative.
- Wheel bearing does not require maintenance.
- If growling noise is emitted from wheel bearing during operation, replace wheel bearing assembly.
- If the wheel bearing assembly is removed, it must be renewed. The old assembly must not be re-used.

1. Disconnect parking brake cable and brake tube.
2. Remove nuts securing wheel bearing cage with baffle plate.

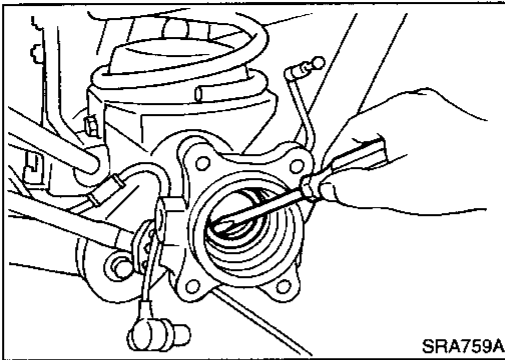


3. Draw out axle shaft with Tool.

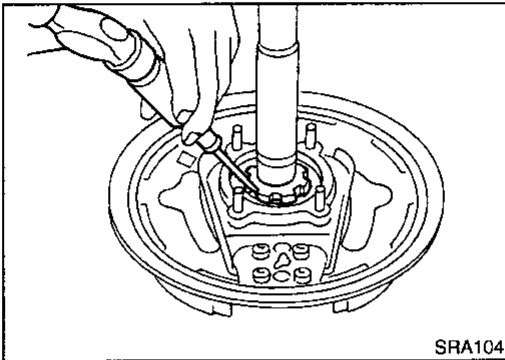
When drawing out axle shaft, be careful not to damage oil seal.

REAR AXLE

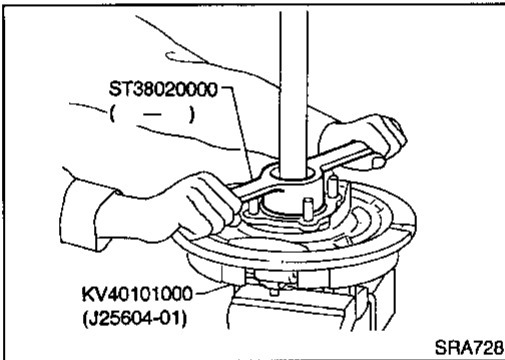
Removal (Cont'd)



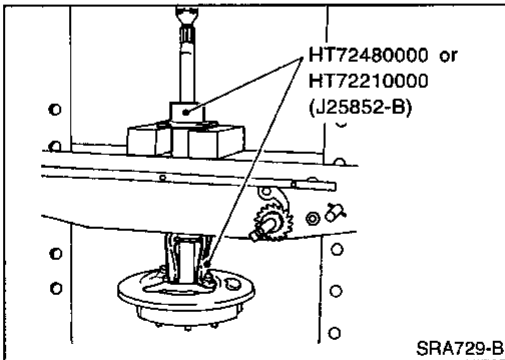
4. Remove oil seal with a screwdriver.
Do not reuse oil seal once it is removed. Always install new one.
5. Remove ABS sensor rotor.



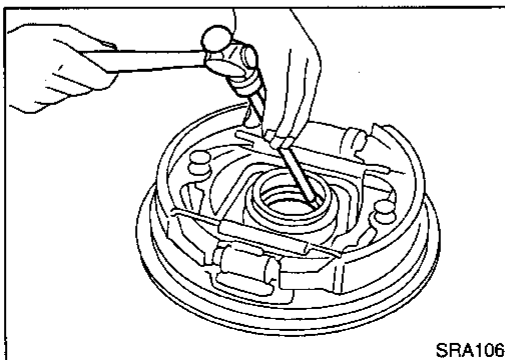
6. Unbend lock washer with a screwdriver.
Do not reuse lock washer once removed. Always install new one.



7. Remove bearing lock nut with Tool.



8. Remove wheel bearing together with bearing cage and baffle plate from axle shaft.



9. Remove grease seal with a screwdriver.
10. Remove wheel bearing assembly with a brass drift.

Inspection

AXLE SHAFT

Check axle shaft for straightness, cracks, damage, wear and distortion. Replace if necessary.

BEARING CAGE

Check bearing cage for deformation and cracks. Replace if necessary.

REAR AXLE HOUSING

Check rear axle housing for yield, deformation and cracks. Replace if necessary.

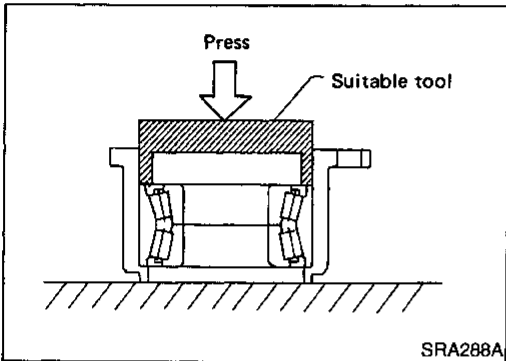
Installation

1. Press new wheel bearing until it bottoms end face of bearing cage.

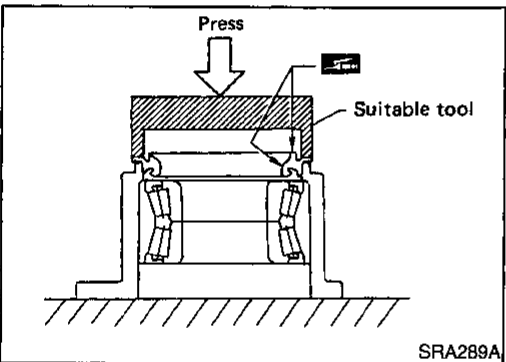
Maximum load P:

39 kN (4 ton, 4.4 US ton, 3.9 Imp ton)

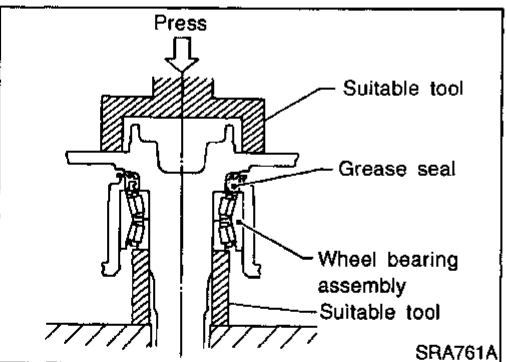
Always press outer race of wheel bearing during installation.



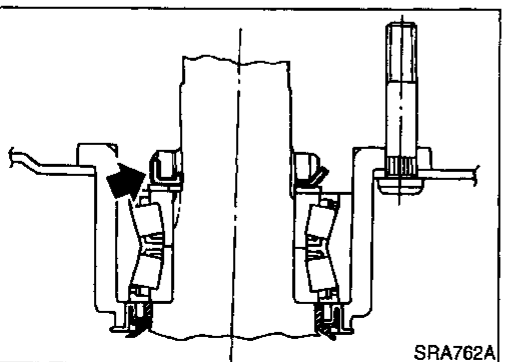
SRA288A



SRA289A



SRA761A



SRA762A

2. Press new grease seal until it bottoms end face of bearing cage.

After installing new grease seal, coat sealing lip with multi-purpose grease.

3. Press axle shaft into inner race of wheel bearing.

Maximum load P:

47.1 kN (4.8 ton, 5.3 US ton, 4.72 Imp ton)

Be careful not to damage and deform grease seal.

4. Install plain washer and a new wheel bearing lock washer.
5. Tighten wheel bearing lock nut to specified torque.

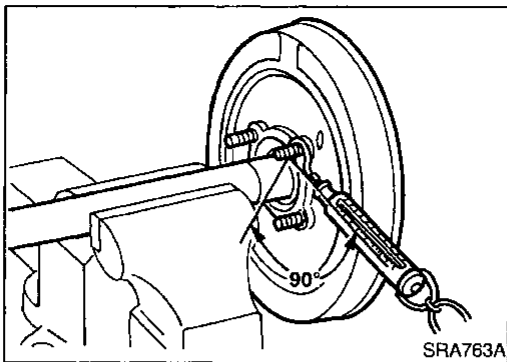
☞ : 245 - 314 N-m (25 - 32 kg-m, 181 - 231 ft-lb)

Fit wheel bearing lock washer lip in wheel bearing lock nut groove correctly by tightening lock nut. Be sure to bend it up.

GI
MA
EM
LC
EC
FE
CL
MT
AT
TF
PD
AX
SU
BR
ST
RS
BT
HA
SC
EL
IDX

REAR AXLE

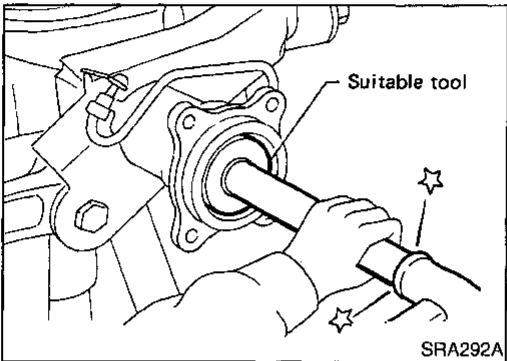
Installation (Cont'd)



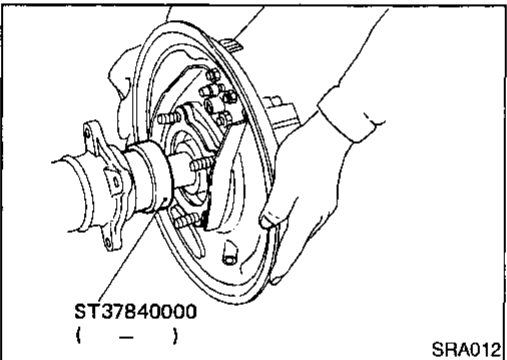
6. Check wheel bearing preload.
 - a. Turn bearing cage (with respect to axle shaft) two or three times. It must turn smoothly.
 - b. Attach spring gauge to bearing cage bolt (as shown at left) and pull it at a speed of 10 rpm to measure preload.

Spring gauge indication:

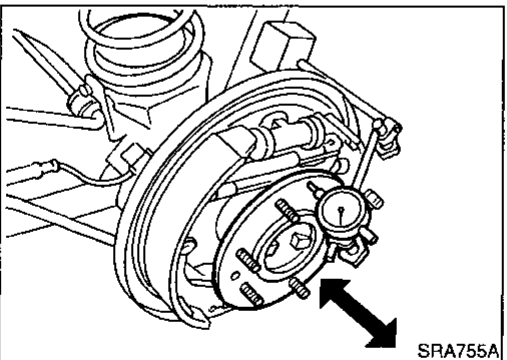
6.9 - 48.1 N (0.7 - 4.9 kg, 1.5 - 10.8 lb)



7. Install new oil seal to rear axle housing using a suitable tool. **After installing new oil seal, coat sealing lip with multi-purpose grease.**



8. Press ABS sensor rotor onto axle shaft until it contacts wheel bearing lock nut.
9. Position axle shafts in rear axle housing with Tool as a guide. **Be careful not to damage oil seal.**



10. Check axial end play.
 - a. Check that wheel bearings operate smoothly.
 - b. Check axial end play.

Axial end play:

0 mm (0 in)

SERVICE DATA AND SPECIFICATIONS (SDS)

Wheel Bearing (Front)

Wheel Bearing (Front)

NAAAX0022

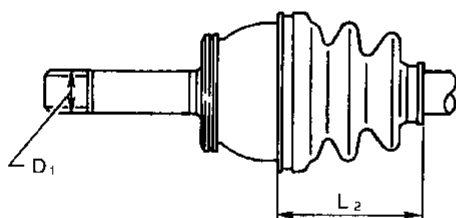
Wheel bearing lock nut	Tightening torque	78 - 98 N·m (8 - 10 kg·m, 58 - 72 ft·lb)
	Retightening torque after loosening wheel bearing lock nut	0.5 - 1.5 N·m (0.05 - 0.15 kg·m, 4.3 - 13.0 in·lb)
	Axial end play	0 mm (0 in)
	Starting force at wheel hub bolt N (kg, lb)	A
	Turning angle	15° - 30°
	Starting force at wheel hub bolt N (kg, lb)	B
Wheel bearing preload at wheel hub bolt	B - A	7.06 - 20.99 N (0.72 - 2.14 kg, 1.59 - 4.72 lb)

Drive Shaft (4WD)

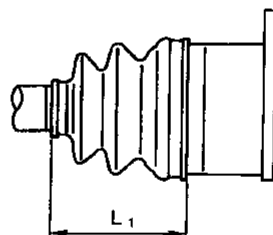
NAAAX0033

Drive shaft joint type	Final drive side	TS82F	
	Wheel side	ZF100	
	Fixed joint axial end play limit	1 mm (0.04 in)	
Diameter	Wheel side (D ₁)	29.0 mm (1.142 in)	
Grease	Quality	Nissan genuine grease or equivalent	
	Specified amount of grease	Final drive side	95 - 105 g (3.35 - 3.70 oz)
		Wheel side	135 - 145 g (4.76 - 5.11 oz)
Drive shaft axial end play		0.45 mm (0.0177 in) or less	
Boot length	Final drive side (L ₁)	95 - 97 mm (3.74 - 3.82 in)	
	Wheel side (L ₂)	96 - 98 mm (3.78 - 3.86 in)	

Wheel side



Final drive side



SAX001

DRIVE SHAFT END SNAP RING

NAAAX003301

Thickness mm (in)	Part No.	Thickness mm (in)	Part No.
1.1 (0.043)	39253-88G10	1.9 (0.075)	39253-88G14
1.3 (0.051)	39253-88G11	2.1 (0.083)	39253-88G15
1.5 (0.059)	39253-88G12	2.3 (0.091)	39253-88G16
1.7 (0.067)	39253-88G13		

Wheel Bearing (Rear)

NAAAX0032

Wheel bearing axial end play	0 mm (0 in)
Wheel bearing lock nut tightening torque	245 - 314 N·m (25 - 32 kg·m, 181 - 231 ft·lb)
Wheel bearing preload measured at bearing cage bolt	6.9 - 48.1 N (0.7 - 4.9 kg, 1.5 - 10.8 lb)