

SECTION **ATC**

AUTOMATIC AIR CONDITIONER

A
B
C
D
E
F
G
H
I
J
K
L
M

CONTENTS

<p>PRECAUTIONS 5</p> <p> Precautions for Supplemental Restraint System (SRS) “AIR BAG” and “SEAT BELT PRE-TENSIONER” 5</p> <p> Precautions for Working with HFC-134a (R-134a).... 5</p> <p> Contaminated Refrigerant 5</p> <p> General Refrigerant Precautions 6</p> <p> Precautions for Leak Detection Dye 6</p> <p> A/C Identification Label 7</p> <p> Precautions for Refrigerant Connection 7</p> <p> FEATURES OF NEW TYPE REFRIGERANT CONNECTION 7</p> <p> O-RING AND REFRIGERANT CONNECTION..... 8</p> <p> Precautions for Servicing Compressor 11</p> <p> Precautions for Service Equipment 11</p> <p> RECOVERY/RECYCLING EQUIPMENT 11</p> <p> ELECTRONIC LEAK DETECTOR 11</p> <p> VACUUM PUMP 12</p> <p> MANIFOLD GAUGE SET 12</p> <p> SERVICE HOSES 12</p> <p> SERVICE COUPLERS 13</p> <p> REFRIGERANT WEIGHT SCALE 13</p> <p> CHARGING CYLINDER 13</p> <p> Wiring Diagrams and Trouble Diagnosis 13</p> <p>PREPARATION 14</p> <p> Special Service Tools 14</p> <p> HFC-134a (R-134a) Service Tools and Equipment. 14</p> <p> Commercial Service Tools 17</p> <p>REFRIGERATION SYSTEM 18</p> <p> Components 18</p> <p> FRONT REFRIGERATION SYSTEM 18</p> <p> REAR REFRIGERATION SYSTEM 19</p> <p> Refrigerant Cycle 20</p> <p> REFRIGERANT FLOW 20</p> <p> FREEZE PROTECTION 20</p> <p> Refrigerant System Protection 21</p> <p> REFRIGERANT PRESSURE SENSOR 21</p> <p> PRESSURE RELIEF VALVE 21</p>	<p>LUBRICANT 22</p> <p> Maintenance of Lubricant Quantity in Compressor.. 22</p> <p> LUBRICANT 22</p> <p> CHECKING AND ADJUSTING 22</p> <p>AIR CONDITIONER CONTROL 24</p> <p> Description 24</p> <p> Operation 24</p> <p> AIR MIX DOORS CONTROL 24</p> <p> BLOWER SPEED CONTROL 24</p> <p> INTAKE DOOR CONTROL 24</p> <p> MODE DOOR CONTROL 24</p> <p> DEFROSTER DOOR CONTROL 24</p> <p> MAGNET CLUTCH CONTROL 25</p> <p> SELF-DIAGNOSTIC SYSTEM 25</p> <p> Description of Control System 26</p> <p> Control Operation 26</p> <p> DISPLAY SCREEN (WITH NAVI) 27</p> <p> AUTO SWITCH 27</p> <p> TEMPERATURE CONTROL DIAL (TEMPERATURE CONTROL) (DRIVER SIDE) 27</p> <p> TEMPERATURE CONTROL DIAL (TEMPERATURE CONTROL) (PASSENGER SIDE) 27</p> <p> TEMPERATURE CONTROL DIAL (TEMPERATURE AND MODE CONTROL) (REAR) 27</p> <p> RECIRCULATION () SWITCH 27</p> <p> DEFROSTER (DEF) SWITCH 27</p> <p> REAR WINDOW DEFOGGER SWITCH 27</p> <p> OFF SWITCH 27</p> <p> A/C SWITCH 27</p> <p> MODE SWITCH (FRONT) 27</p> <p> FRONT BLOWER CONTROL DIAL 27</p> <p> MODE SWITCH (REAR) 27</p> <p> TEMPERATURE CONTROL DIAL (TEMPERATURE AND MODE CONTROL) 28</p> <p> REAR BLOWER CONTROL DIAL 28</p> <p> Discharge Air Flow 29</p> <p> FRONT 29</p> <p> REAR 29</p> <p> System Description (Front) 30</p> <p> SWITCHES AND THEIR CONTROL FUNCTION.. 30</p>
--	---

ATC

System Description (Rear)	31	SYSTEM DESCRIPTION	73
SWITCHES AND THEIR CONTROL FUNCTION..	31	COMPONENT DESCRIPTION	74
CAN Communication System Description	32	DIAGNOSTIC PROCEDURE FOR INTAKE	
TROUBLE DIAGNOSIS	33	DOOR MOTOR	74
CONSULT-II Function (BCM)	33	Front Blower Motor Circuit	75
CONSULT-II BASIC OPERATION	33	INSPECTION FLOW	75
DATA MONITOR	34	SYSTEM DESCRIPTION	76
How to Perform Trouble Diagnosis for Quick and		COMPONENT DESCRIPTION	77
Accurate Repair	35	DIAGNOSTIC PROCEDURE FOR BLOWER	
WORK FLOW	35	MOTOR	77
SYMPTOM TABLE	35	COMPONENT INSPECTION	81
Component Parts and Harness Connector Location..	36	Rear Blower Motor Circuit	82
ENGINE COMPARTMENT	36	INSPECTION FLOW	82
FRONT PASSENGER COMPARTMENT	37	SYSTEM DESCRIPTION	83
REAR PASSENGER COMPARTMENT	38	DIAGNOSTIC PROCEDURE FOR REAR	
Schematic	39	BLOWER MOTOR	83
Wiring Diagram —A/C,A—	40	COMPONENT INSPECTION	91
Front Air Control Terminals and Reference Value..	48	Rear Air Control Circuit	93
PIN CONNECTOR TERMINAL LAYOUT	48	INSPECTION FLOW	93
TERMINALS AND REFERENCE VALUE FOR		SYSTEM DESCRIPTION	94
FRONT AIR CONTROL	48	DIAGNOSTIC PROCEDURE FOR REAR AIR	
A/C System Self-diagnosis Function (With NAVI)...	50	CONTROL	94
DESCRIPTION	50	Magnet Clutch Circuit	96
Operational Check (Front)	52	INSPECTION FLOW	96
CHECKING MEMORY FUNCTION	52	SYSTEM DESCRIPTION	97
CHECKING BLOWER	52	DIAGNOSTIC PROCEDURE FOR MAGNET	
CHECKING DISCHARGE AIR	53	CLUTCH	97
CHECKING RECIRCULATION	53	Insufficient Cooling	102
CHECKING TEMPERATURE DECREASE	54	INSPECTION FLOW	102
CHECKING TEMPERATURE INCREASE	54	PERFORMANCE TEST DIAGNOSES	103
CHECK A/C SWITCH	54	PERFORMANCE CHART	105
CHECKING AUTO MODE	54	TROUBLE DIAGNOSES FOR UNUSUAL PRES-	
Operational Check (Rear)	55	SURE	106
CHECKING BLOWER	55	Insufficient Heating	109
CHECKING TEMPERATURE DECREASE	55	INSPECTION FLOW	109
CHECKING TEMPERATURE INCREASE	55	Heater Pump Circuit	110
Power Supply and Ground Circuit for Front Air Con-		SYSTEM DESCRIPTION	110
trol	56	DIAGNOSTIC PROCEDURE FOR HEATER	
INSPECTION FLOW	56	PUMP CIRCUIT	111
COMPONENT DESCRIPTION	57	COMPONENT INSPECTION	112
DIAGNOSTIC PROCEDURE FOR A/C SYSTEM..	57	Noise	113
Mode Door Motor Circuit	59	INSPECTION FLOW	113
INSPECTION FLOW	59	Self-diagnosis	115
SYSTEM DESCRIPTION	60	INSPECTION FLOW	115
COMPONENT DESCRIPTION	61	Memory Function	116
DIAGNOSTIC PROCEDURE FOR MODE		INSPECTION FLOW	116
DOOR MOTOR	61	Ambient Sensor 1 Circuit	117
Air Mix Door Motor Circuit	63	COMPONENT DESCRIPTION	117
INSPECTION FLOW	63	AMBIENT TEMPERATURE INPUT PROCESS..	117
SYSTEM DESCRIPTION	64	DIAGNOSTIC PROCEDURE FOR AMBIENT	
COMPONENT DESCRIPTION	65	SENSOR 1	117
DIAGNOSTIC PROCEDURE FOR AIR MIX		COMPONENT INSPECTION	119
DOOR MOTOR (DRIVER)	65	In-vehicle Sensor Circuit	120
DIAGNOSTIC PROCEDURE FOR AIR MIX		COMPONENT DESCRIPTION	120
DOOR MOTOR (PASSENGER)	67	DIAGNOSTIC PROCEDURE FOR IN-VEHICLE	
DIAGNOSTIC PROCEDURE FOR AIR MIX		SENSOR	120
DOOR MOTOR (REAR)	69	COMPONENT INSPECTION	122
Intake Door Motor Circuit	72	Optical Sensor Circuit	123
INSPECTION FLOW	72	COMPONENT DESCRIPTION	123

OPTICAL INPUT PROCESS	123	MODE DOOR MOTOR	144	
DIAGNOSTIC PROCEDURE FOR OPTICAL SENSOR	123	Removal and Installation	144	A
Intake Sensor Circuit	125	REMOVAL	144	
COMPONENT DESCRIPTION	125	INSTALLATION	144	
DIAGNOSTIC PROCEDURE FOR INTAKE SEN- SOR	125	AIR MIX DOOR MOTOR	145	B
COMPONENT INSPECTION	126	Components	145	
CONTROL UNIT	127	Removal and Installation	145	
Removal and Installation	127	FRONT AIR MIX DOOR MOTOR (PASSENGER)	145	C
FRONT AIR CONTROL	127	FRONT AIR MIX DOOR MOTOR (DRIVER)	145	
REAR AIR CONTROL	127	REAR AIR MIX DOOR MOTOR	145	
AMBIENT SENSOR	128	VARIABLE BLOWER CONTROL	147	D
Removal and Installation	128	Removal and Installation	147	
REMOVAL	128	REMOVAL	147	
INSTALLATION	128	INSTALLATION	147	
IN-VEHICLE SENSOR	129	REAR BLOWER MOTOR RESISTOR	148	E
Removal and Installation	129	Removal and Installation	148	
REMOVAL	129	REMOVAL	148	
INSTALLATION	129	INSTALLATION	148	F
OPTICAL SENSOR	130	DUCTS AND GRILLES	149	
Removal and Installation	130	Components	149	
INTAKE SENSOR	131	Removal and Installation	151	G
Removal and Installation	131	DEFROSTER NOZZLE	151	
REMOVAL	131	RH AND LH SIDE DEMISTER DUCT	151	
INSTALLATION	131	RH AND LH VENTILATOR DUCT	152	H
BLOWER MOTOR	132	CENTER VENTILATOR DUCT	152	
Components	132	FLOOR CONNECTOR DUCT	152	
Removal and Installation	132	FRONT AND REAR FLOOR DUCTS	152	
FRONT BLOWER MOTOR	132	REAR OVERHEAD DUCTS	152	
REAR BLOWER MOTOR	133	SIDE REAR FLOOR DUCT	153	I
IN-CABIN MICROFILTER	134	GRILLES	153	
Removal and Installation	134	REFRIGERANT LINES	154	ATC
FUNCTION	134	HFC-134a (R-134a) Service Procedure	154	
REPLACEMENT TIMING	134	SETTING OF SERVICE TOOLS AND EQUIP- MENT	154	
REPLACEMENT PROCEDURE	134	Components	156	K
HEATER & COOLING UNIT ASSEMBLY	136	Removal and Installation for Compressor	158	
Components	136	REMOVAL	158	
Removal and Installation	137	INSTALLATION	158	L
FRONT HEATER AND COOLING UNIT ASSEM- BLY	137	Removal and Installation for Compressor Clutch	159	
REAR HEATER AND COOLING UNIT ASSEM- BLY	138	REMOVAL	159	
HEATER CORE	140	INSPECTION	160	M
Components	140	INSTALLATION	160	
Removal and Installation	141	BREAK-IN OPERATION	162	
FRONT HEATER CORE	141	Removal and Installation for Front High-pressure Flexible A/C Hose	162	
REAR HEATER CORE	141	REMOVAL	162	
HEATER PUMP	142	INSTALLATION	162	
Removal and Installation	142	Removal and Installation for Front High-pressure A/C Pipe	162	
REMOVAL	142	REMOVAL	162	
INSTALLATION	142	INSTALLATION	162	
INTAKE DOOR MOTOR	143	Removal and Installation for Front Low-pressure Flexible A/C Hose	162	
Removal and Installation	143	REMOVAL	162	
REMOVAL	143	INSTALLATION	162	
INSTALLATION	143	Removal and Installation for Front Low-pressure A/ C Pipe	163	
		REMOVAL	163	
		INSTALLATION	163	

Removal and Installation for Rear High- and Low-pressure A/C Pipes	163	Removal and Installation for Front Expansion Valve	169
REMOVAL	163	REMOVAL	169
INSTALLATION	163	INSTALLATION	169
Removal and Installation for Underfloor Rear High- and Low-pressure A/C and Heater Core Pipes ...	163	Removal and Installation for Rear Expansion Valve	169
REMOVAL	163	REMOVAL	169
INSTALLATION	165	INSTALLATION	169
Removal and Installation for Refrigerant Pressure Sensor	165	Checking for Refrigerant Leaks	170
REMOVAL	165	Checking System for Leaks Using the Fluorescent Dye Leak Detector	170
INSTALLATION	165	Dye Injection	170
Removal and Installation for Condenser	165	Electronic Refrigerant Leak Detector	171
REMOVAL	165	PRECAUTIONS FOR HANDLING LEAK	
INSTALLATION	165	DETECTOR	171
Removal and Installation for Front Evaporator	166	CHECKING PROCEDURE	172
REMOVAL	167	SERVICE DATA AND SPECIFICATIONS (SDS) ...	174
INSTALLATION	167	Service Data and Specifications (SDS)	174
Removal and Installation for Rear Evaporator	168	COMPRESSOR	174
REMOVAL	168	LUBRICANT	174
INSTALLATION	169	REFRIGERANT	174
		ENGINE IDLING SPEED	174
		BELT TENSION	174

PRECAUTIONS

PRECAUTIONS

PFP:00001

Precautions for Supplemental Restraint System (SRS) “AIR BAG” and “SEAT BELT PRE-TENSIONER”

EJS002W4

The Supplemental Restraint System such as “AIR BAG” and “SEAT BELT PRE-TENSIONER”, used along with a front seat belt, helps to reduce the risk or severity of injury to the driver and front passenger for certain types of collision. This system includes seat belt switch inputs and dual stage front air bag modules. The SRS system uses the seat belt switches to determine the front air bag deployment, and may only deploy one front air bag, depending on the severity of a collision and whether the front occupants are belted or unbelted. Information necessary to service the system safely is included in the SRS and SB section of this Service Manual.

WARNING:

- To avoid rendering the SRS inoperative, which could increase the risk of personal injury or death in the event of a collision which would result in air bag inflation, all maintenance must be performed by an authorized NISSAN/INFINITI dealer.
- Improper maintenance, including incorrect removal and installation of the SRS, can lead to personal injury caused by unintentional activation of the system. For removal of Spiral Cable and Air Bag Module, see the SRS section.
- Do not use electrical test equipment on any circuit related to the SRS unless instructed to in this Service Manual. SRS wiring harnesses can be identified by yellow and/or orange harnesses or harness connectors.

Precautions for Working with HFC-134a (R-134a)

EJS002W5

WARNING:

- CFC-12 (R-12) refrigerant and HFC-134a (R-134a) refrigerant are not compatible. If the refrigerants are mixed compressor failure is likely to occur. Refer [ATC-5, "Contaminated Refrigerant"](#) . To determine the purity of HFC-134a (R-134a) in the vehicle and recovery tank, use refrigerant recovery/recycling equipment and refrigerant identifier.
- Use only specified lubricant for the HFC-134a (R-134a) A/C system and HFC-134a (R-134a) components. If lubricant other than that specified is used, compressor failure is likely to occur.
- The specified HFC-134a (R-134a) lubricant rapidly absorbs moisture from the atmosphere. The following handling precautions must be observed:
 - When removing refrigerant components from a vehicle, immediately cap (seal) the component to minimize the entry of moisture from the atmosphere.
 - When installing refrigerant components to a vehicle, do not remove the caps (unseal) until just before connecting the components. Connect all refrigerant loop components as quickly as possible to minimize the entry of moisture into system.
 - Only use the specified lubricant from a sealed container. Immediately reseal containers of lubricant. Without proper sealing, lubricant will become moisture saturated and should not be used.
 - Avoid breathing A/C refrigerant and lubricant vapor or mist. Exposure may irritate eyes, nose and throat. Remove HFC-134a (R-134a) from the A/C system using certified service equipment meeting requirements of SAE J2210 [HFC-134a (R-134a) recycling equipment], or SAE J2209 [HFC-134a (R-134a) recovery equipment]. If accidental system discharge occurs, ventilate work area before resuming service. Additional health and safety information may be obtained from refrigerant and lubricant manufacturers.
 - Do not allow refrigerant lubricant to come in contact with styrofoam parts. Damage may result.

Contaminated Refrigerant

EJS002W6

If a refrigerant other than pure HFC-134a (R-134a) is identified in a vehicle, your options are:

- Explain to the customer that environmental regulations prohibit the release of contaminated refrigerant into the atmosphere.
- Explain that recovery of the contaminated refrigerant could damage your service equipment and refrigerant supply.
- Suggest the customer return the vehicle to the location of previous service where the contamination may have occurred.
- If you choose to perform the repair, recover the refrigerant using only **dedicated equipment and containers**. **Do not recover contaminated refrigerant into your existing service equipment**. If your facility

PRECAUTIONS

does not have dedicated recovery equipment, you may contact a local refrigerant product retailer for available service. This refrigerant must be disposed of in accordance with all federal and local regulations. In addition, replacement of all refrigerant system components on the vehicle is recommended.

- If the vehicle is within the warranty period, the air conditioner warranty is void. Please contact NISSAN Customer Affairs for further assistance.

General Refrigerant Precautions

EJS002W7

WARNING:

- Do not release refrigerant into the air. Use approved recovery/recycling equipment to capture the refrigerant every time an air conditioning system is discharged.
- Always wear eye and hand protection (goggles and gloves) when working with any refrigerant or air conditioning system.
- Do not store or heat refrigerant containers above 52°C (125°F).
- Do not heat a refrigerant container with an open flame; if container warming is required, place the bottom of the container in a warm pail of water.
- Do not intentionally drop, puncture, or incinerate refrigerant containers.
- Keep refrigerant away from open flames: poisonous gas will be produced if refrigerant burns.
- Refrigerant will displace oxygen, therefore be certain to work in well ventilated areas to prevent suffocation.
- Do not pressure test or leak test HFC-134a (R-134a) service equipment and/or vehicle air conditioning systems with compressed air during repair. Some mixtures of air and HFC-134a (R-134a) have been shown to be combustible at elevated pressures. These mixtures, if ignited, may cause injury or property damage. Additional health and safety information may be obtained from refrigerant manufacturers.

Precautions for Leak Detection Dye

EJS002W8

- The A/C system contains a fluorescent leak detection dye used for locating refrigerant leaks. An ultraviolet (UV) lamp is required to illuminate the dye when inspecting for leaks.
- Always wear fluorescence enhancing UV safety goggles to protect your eyes and enhance the visibility of the fluorescent dye.
- The fluorescent dye leak detector is not a replacement for an electronic refrigerant leak detector. The fluorescent dye leak detector should be used in conjunction with an electronic refrigerant leak detector (J-41995).
- For your safety and the customer's satisfaction, read and follow all manufacturer's operating instructions and precautions prior to performing work.
- A compressor shaft seal should not be repaired because of dye seepage. The compressor shaft seal should only be repaired after confirming the leak with an electronic refrigerant leak detector (J-41995).
- Always remove any remaining dye from the leak area after repairs are complete to avoid a misdiagnosis during a future service.
- Do not allow dye to come into contact with painted body panels or interior components. If dye is spilled, clean immediately with the approved dye cleaner. Fluorescent dye left on a surface for an extended period of time **cannot be removed**.
- Do not spray the fluorescent dye cleaning agent on hot surfaces (engine exhaust manifold, etc.).
- Do not use more than one refrigerant dye bottle (1/4 ounce / 7.4 cc) per A/C system.
- Leak detection dyes for HFC-134a (R-134a) and CFC-12 (R-12) A/C systems are different. Do not use HFC-134a (R-134a) leak detection dye in CFC-12 (R-12) A/C systems or CFC-12 (R-12) leak detection dye in HFC-134a (R-134a) A/C systems or A/C system damage may result.
- The fluorescent properties of the dye will remain for over three (3) years unless a compressor failure occurs.

PRECAUTIONS

EJS002W9

A/C Identification Label

Vehicles with factory installed fluorescent dye have this identification label on the underside of hood.

AIR CONDITIONER NISSAN			
		REFRIGERANT	COMPRESSOR LUBRICANT
TYPE (PART NO.)		HFC 134a (R134a)	NISSAN LUMINOUS OIL TYPE S (KLH00-PAGS0)
AMOUNT	W/OUT RR	0.70 ± 0.05 kg (1.54 ± 0.11 lbs)	180 ml. (6.1 oz.)
	W/RR	0.85 ± 0.05 kg (1.87 ± 0.11 lbs)	210 ml. (7.1 oz.)
CAUTION PRECAUTION • REFRIGERANT UNDER HIGH PRESSURE. • SYSTEM TO BE SERVICED BY QUALIFIED PERSONNEL. • IMPROPER SERVICE METHODS MAY CAUSE PERSONAL INJURY. • CONSULT SERVICE MANUAL. • THIS AIR CONDITIONER SYSTEM COMPLIES WITH SAE J-639. Nissan Motor Corporation in USA, Carson, CA 27090 EA000			
LJJA0152E			

Precautions for Refrigerant Connection

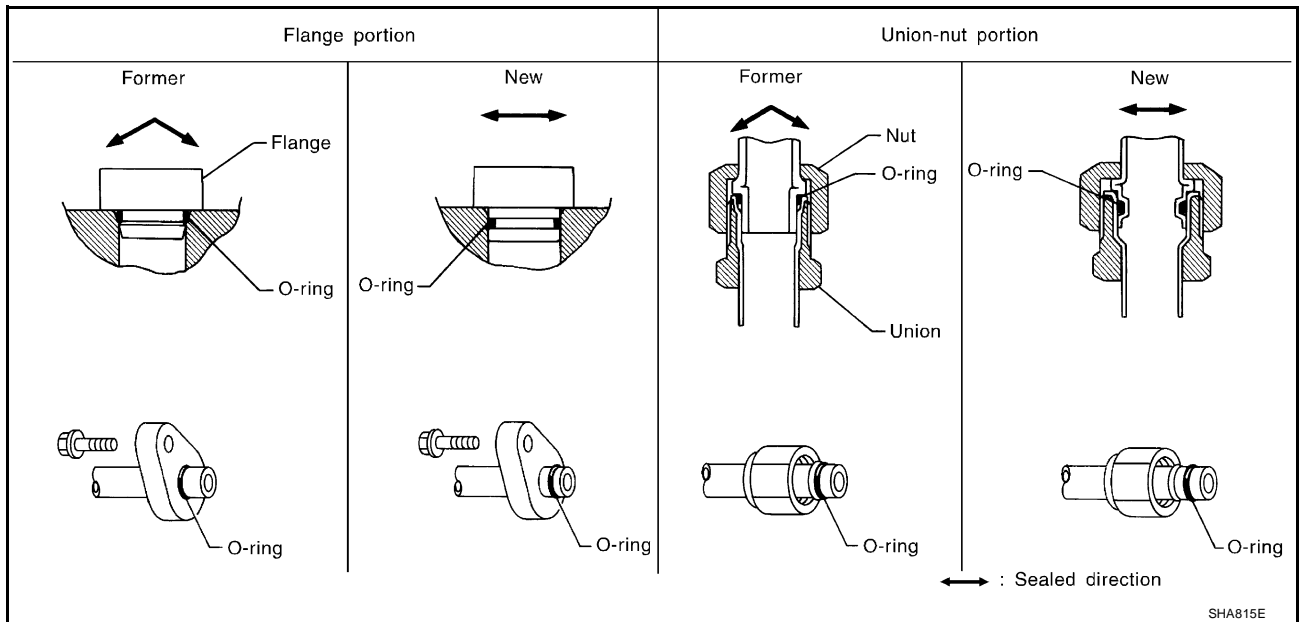
EJS002WA

A new type refrigerant connection has been introduced to all refrigerant lines except the following locations.

- Expansion valve to cooling unit
- Evaporator pipes to evaporator (inside cooling unit)
- Refrigerant pressure sensor

FEATURES OF NEW TYPE REFRIGERANT CONNECTION

- The O-ring has been relocated. It has also been provided with a groove for proper installation. This reduces the possibility of the O-ring being caught in, or damaged by, the mating part. The sealing direction of the O-ring is now set vertically in relation to the contacting surface of the mating part to improve sealing characteristics.
- The reaction force of the O-ring will not occur in the direction that causes the joint to pull out, thereby facilitating piping connections.

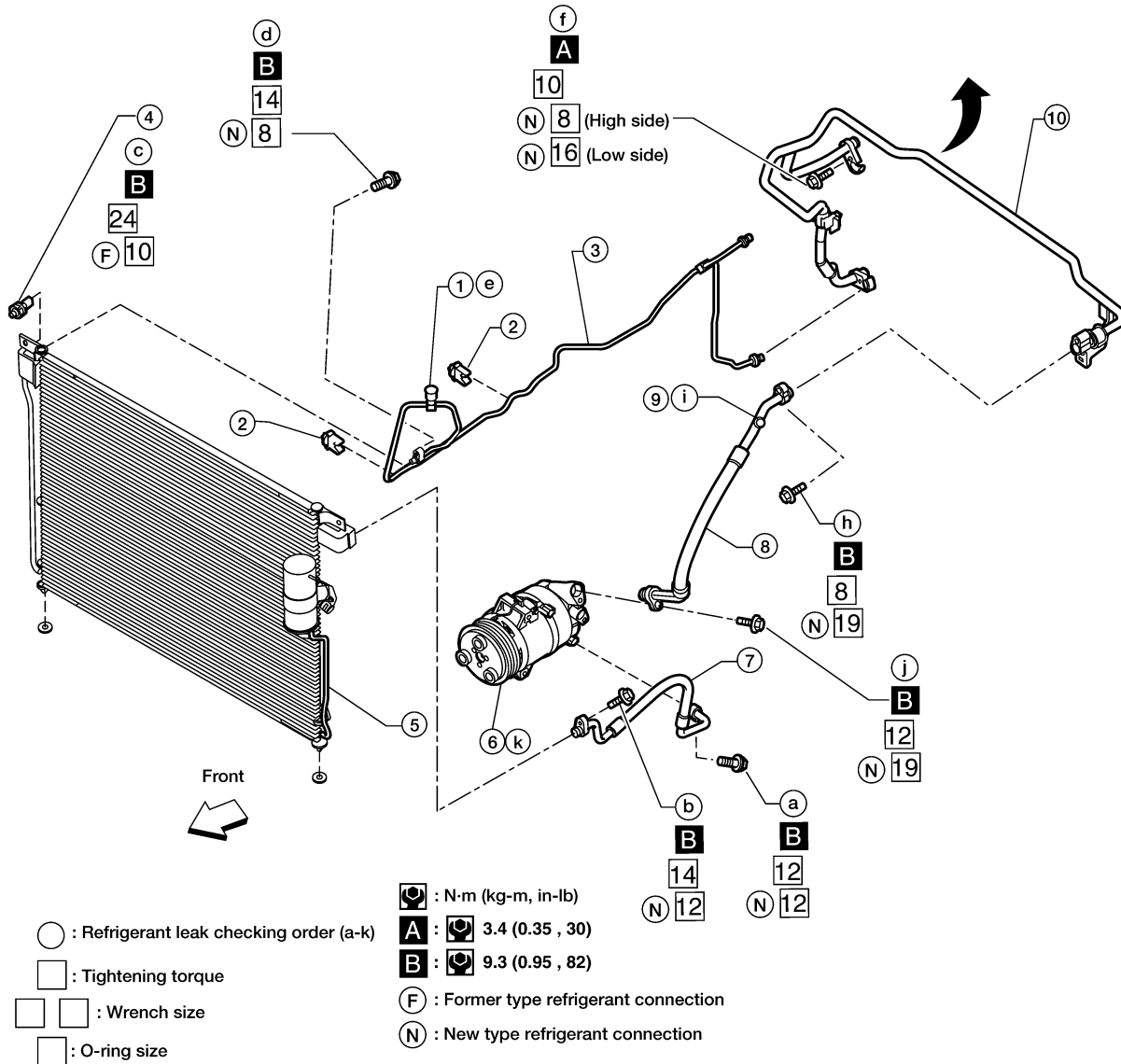
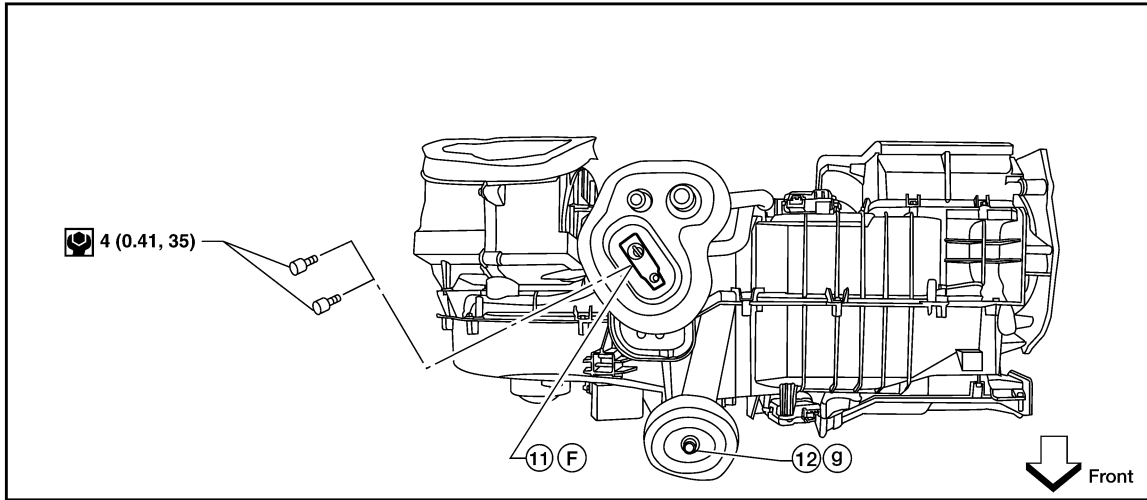


PRECAUTIONS

O-RING AND REFRIGERANT CONNECTION

Front A/C Compressor and Condenser

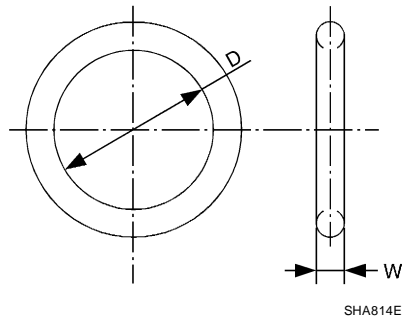
SEC. 270 • 271 • 274 • 276 • 278



WJIA1399E

PRECAUTIONS

O-Ring Part Numbers and Specifications



Connection type	O-ring size	Part number*	D mm (in)	W mm (in)
New	8	92471 N8210	6.8 (0.268)	1.85 (0.0728)
Former	10	J2476 89956	9.25 (0.3642)	1.78 (0.0701)
New	12	92472 N8210	10.9 (0.429)	2.43 (0.0957)
Former		92475 71L00	11.0 (0.433)	2.4 (0.094)
New	16	92473 N8210	13.6 (0.535)	2.43 (0.0957)
Former		92475 72L00	14.3 (0.563)	2.3 (0.091)
New	19	92474 N8210	16.5 (0.650)	2.43 (0.0957)
Former		92477 N8200	17.12 (0.6740)	1.78 (0.0701)
New	24	92195 AH300	21.8 (0.858)	2.4 (0.094)

*: Always check with the Parts Department for the latest parts information.

WARNING:

Make sure all refrigerant is discharged into the recycling equipment and the pressure in the system is less than atmospheric pressure. Then gradually loosen the discharge side hose fitting and remove it.

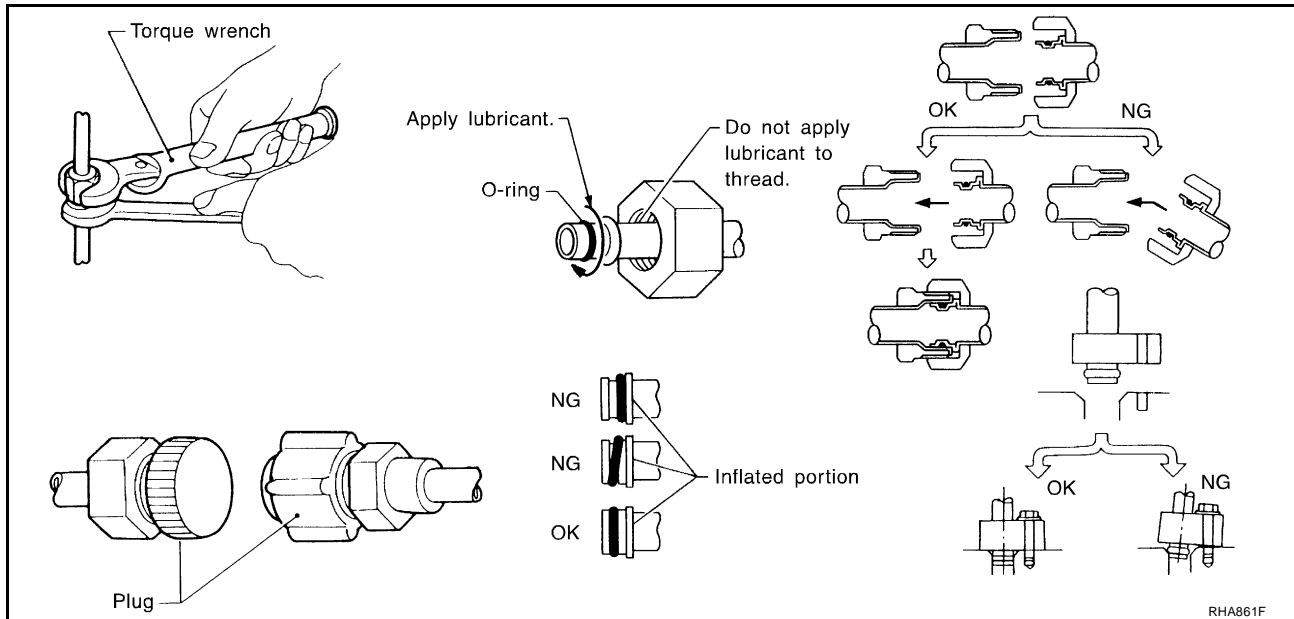
CAUTION:

When replacing or cleaning refrigerant cycle components, observe the following.

- When the compressor is removed, store it in the same position as it is when mounted on the car. Failure to do so will cause lubricant to enter the low pressure chamber.
- When connecting tubes, always use a torque wrench and a back-up wrench.
- After disconnecting tubes, immediately plug all openings to prevent entry of dirt and moisture.
- When installing an air conditioner in the vehicle, connect the pipes as the final stage of the operation. Do not remove the seal caps of pipes and other components until just before required for connection.
- Allow components stored in cool areas to warm to working area temperature before removing seal caps. This prevents condensation from forming inside A/C components.
- Thoroughly remove moisture from the refrigeration system before charging the refrigerant.
- Always replace used O-rings.
- When connecting tube, apply lubricant to circle of the O-rings shown in illustration. Be careful not to apply lubricant to threaded portion.
Lubricant name: Genuine NISSAN A/C System Lubricant Type S (DH-PS) or equivalent.
Part number: KLH00-PAGS0.
- O-ring must be closely attached to dented portion of tube.
- When replacing the O-ring, be careful not to damage O-ring and tube.
- Connect tube until you hear it click, then tighten the nut or bolt by hand until snug. Make sure that the O-ring is installed to tube correctly.

PRECAUTIONS

- After connecting line, conduct leak test and make sure that there is no leakage from connections. When the refrigerant leaking point is found, disconnect that line and replace the O-ring. Then tighten connections of seal seat to the specified torque.



Precautions for Servicing Compressor

EJS002WB

- Plug all openings to prevent moisture and foreign matter from entering.
- When the compressor is removed, store it in the same position as it is when mounted on the car.
- When replacing or repairing compressor, follow "Maintenance of Lubricant Quantity in Compressor" exactly. Refer to [ATC-22, "Maintenance of Lubricant Quantity in Compressor"](#).
- Keep friction surfaces between clutch and pulley clean. If the surface is contaminated with lubricant, wipe it off by using a clean waste cloth moistened with thinner.
- After compressor service operation, turn the compressor shaft by hand more than 5 turns in both directions. This will equally distribute lubricant inside the compressor. After the compressor is installed, let the engine idle and operate the compressor for 1 hour.
- After replacing the compressor magnet clutch, apply voltage to the new one and check for normal operation. Refer to [ATC-159, "Removal and Installation for Compressor Clutch"](#).

Precautions for Service Equipment RECOVERY/RECYCLING EQUIPMENT

EJS002WC

Follow the manufacturer's instructions for machine operation and machine maintenance. Never introduce any refrigerant other than that specified into the machine.

ELECTRONIC LEAK DETECTOR

Follow the manufacturer's instructions for tester operation and tester maintenance.

PRECAUTIONS

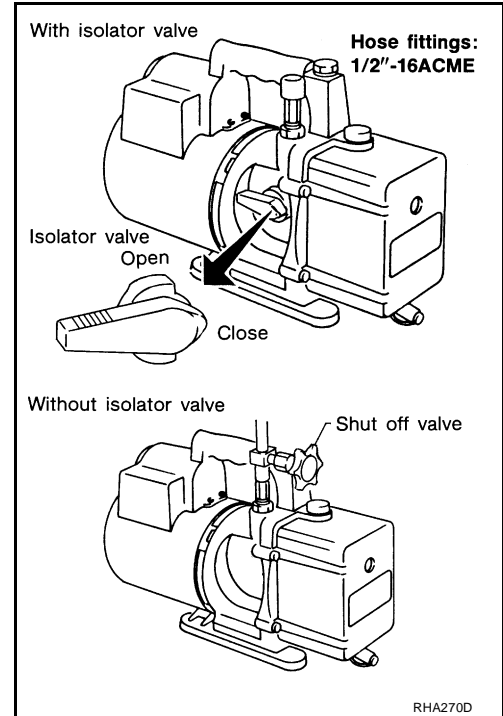
VACUUM PUMP

The lubricant contained inside the vacuum pump is not compatible with the specified lubricant for HFC-134a (R-134a) A/C systems. The vent side of the vacuum pump is exposed to atmospheric pressure so the vacuum pump lubricant may migrate out of the pump into the service hose. This is possible when the pump is switched off after evacuation (vacuuming) and hose is connected to it.

To prevent this migration, use a manual valve situated near the hose-to-pump connection, as follows.

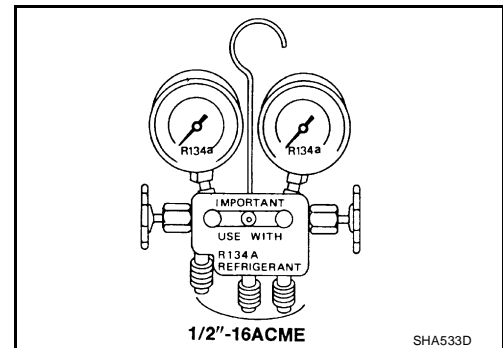
- Usually vacuum pumps have a manual isolator valve as part of the pump. Close this valve to isolate the service hose from the pump.
- For pumps without an isolator, use a hose equipped with a manual shut-off valve near the pump end. Close the valve to isolate the hose from the pump.
- If the hose has an automatic shut off valve, disconnect the hose from the pump: as long as the hose is connected, the valve is open and lubricating oil may migrate.

Some one-way valves open when vacuum is applied and close under a no vacuum condition. Such valves may restrict the pump's ability to pull a deep vacuum and are not recommended.



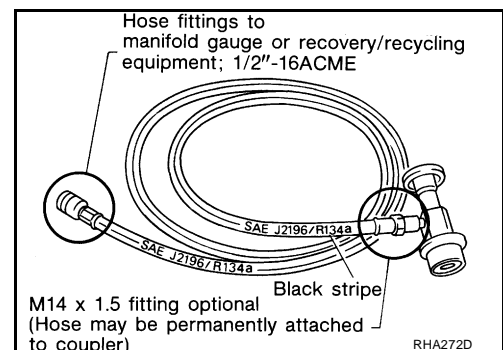
MANIFOLD GAUGE SET

Be certain that the gauge face indicates HFC-134a (R-134a). Make sure the gauge set has 1/2"-16 ACME threaded connections for service hoses. Confirm the set has been used only with refrigerant HFC-134a (R-134a) along with specified lubricant.



SERVICE HOSES

Be certain that the service hoses display the markings described (colored hose with black stripe). All hoses must include positive shut-off devices (either manual or automatic) near the end of the hoses opposite the manifold gauge.

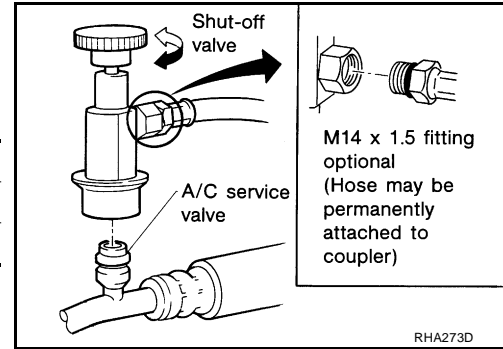


PRECAUTIONS

SERVICE COUPLERS

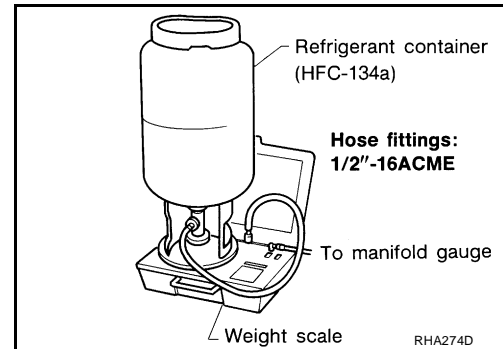
Never attempt to connect HFC-134a (R-134a) service couplers to a CFC-12 (R-12) A/C system. The HFC-134a (R-134a) couplers will not properly connect to the CFC-12 (R-12) system. If an improper connection is attempted, discharging and contamination may occur.

Shut-off valve rotation	A/C service valve
Clockwise	Open
Counterclockwise	Close



REFRIGERANT WEIGHT SCALE

Verify that no refrigerant other than HFC134a (R-134a) and specified lubricants have been used with the scale. If the scale controls refrigerant flow electronically, the hose fitting must be 1/2"-16 ACME.



CHARGING CYLINDER

Using a charging cylinder is not recommended. Refrigerant may be vented into air from cylinder's top valve when filling the cylinder with refrigerant. Also, the accuracy of the cylinder is generally less than that of an electronic scale or of quality recycle/recharge equipment.

Wiring Diagrams and Trouble Diagnosis

EJS002WD

ATC

When you read wiring diagrams, refer to the following:

- [GI-15, "How to Read Wiring Diagrams"](#)
- [PG-4, "POWER SUPPLY ROUTING CIRCUIT"](#)

When you perform trouble diagnosis, refer to the following:

- [GI-10, "How to Follow Trouble Diagnoses"](#)
- [GI-27, "How to Perform Efficient Diagnosis for an Electrical Incident"](#)

K

L

M

PREPARATION

PREPARATION

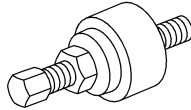
PF0:00002

Special Service Tools

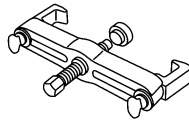
EJS002WE

The actual shapes of Kent-Moore tools may differ from those of special service tools illustrated here.

Tool number (Kent-Moore No.) Tool name	Description
— (J-38873-A) Pulley installer	Installing pulley
KV99233130 (J-29884) Pulley puller	Removing pulley



LHA171



LHA172

HFC-134a (R-134a) Service Tools and Equipment

EJS003BB

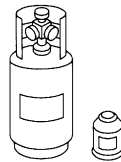
Never mix HFC-134a (R-134a) refrigerant and/or its specified lubricant with CFC-12 (R-12) refrigerant and/or its lubricant.

Separate and non-interchangeable service equipment must be used for handling each type of refrigerant/lubricant.

Refrigerant container fittings, service hose fittings and service equipment fittings (equipment which handles refrigerant and/or lubricant) are different between CFC-12 (R-12) and HFC-134a (R-134a). This is to avoid mixed use of the refrigerants/lubricant.

Adapters that convert one size fitting to another must never be used refrigerant/lubricant contamination will occur and compressor failure will result.

Tool number (Kent-Moore No.) Tool name	Description
HFC-134a (R-134a) (—) Refrigerant	Container color: Light blue Container marking: HFC-134a (R-134a) Fitting size: Thread size ● large container 1/2"-16 ACME
KLH00-PAGS0 (—) NISSAN A/C System Lubricant Type S (DH-PS)	Type: Poly alkylene glycol oil (PAG), type S (DH-PS) Application: HFC-134a (R-134a) swash plate compressors (NISSAN only) Lubricity: 40 m ℓ (1.4 US fl oz, 1.4 Imp fl oz)
KV991J0130 (ACR2005-NI) ACR A/C Service Center	Refrigerant Recovery and Recycling and Recharging



S-NT196

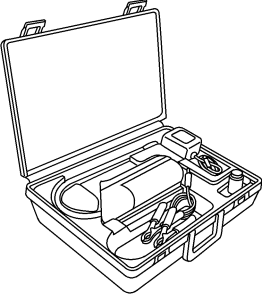
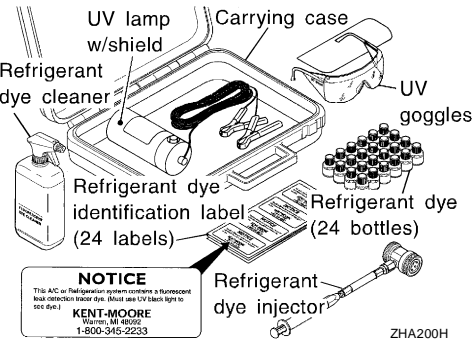
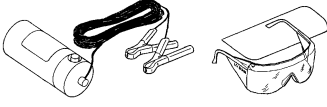

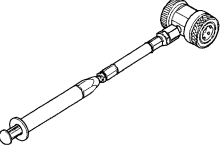



S-NT197

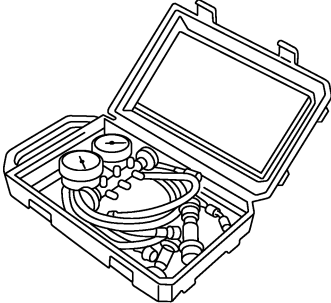
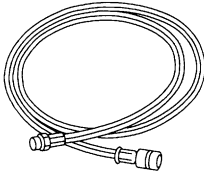
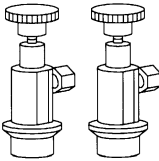

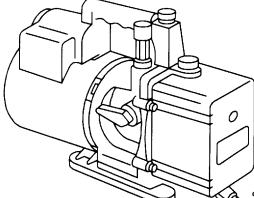


WJIA0293E

PREPARATION

Tool number (Kent-Moore No.) Tool name	Description	
<p>— (J-41995) Electronic refrigerant leak detector</p>	<p>Power supply: ● DC 12V (battery terminal)</p>  <p style="text-align: right;">AHA281A</p>	A B C D
<p>— (J-43926) Refrigerant dye leak detection kit Kit includes: (J-42220) UV lamp and UV safety goggles (J-41459) Refrigerant dye injector (J-41447) Fluorescent leak detection dye (box of 24, 1/4 ounce bottles) (J-43872) Refrigerant dye cleaner</p>	<p>Power supply: ● DC 12V (battery terminal)</p>  <p style="text-align: right;">ZHA200H</p>	E F G H
<p>— (J-42220) Fluorescent dye leak detector</p>	<p>Power supply: ● DC 12V (battery terminal)</p> <p>For checking refrigerant leak when fluorescent dye is installed in A/C system. Includes: UV lamp and UV safety goggles</p>  <p style="text-align: right;">SHA438F</p>	I ATC
<p>— (J-41447) HFC-134a (R-134a) Fluorescent leak detection dye (Box of 24, 1/4 ounce bottles)</p>	<p>Application: For HFC-134a (R-134a) PAG oil Container: 1/4 ounce (7.4cc) bottle (Includes self-adhesive dye identification labels for affixing to vehicle after charging system with dye.)</p>  <p style="text-align: right;">SHA439F</p>	K L
<p>— (J-41459) HFC-134a (R-134a) Refrigerant dye injector Use with J-41447, 1/4 ounce bottle</p>	<p>For injecting 1/4 ounce of fluorescent leak detection dye into A/C system.</p>  <p style="text-align: right;">SHA440F</p>	M
<p>— (J-43872) Refrigerant dye cleaner</p>	<p>For cleaning dye spills.</p>  <p style="text-align: right;">SHA441F</p>	

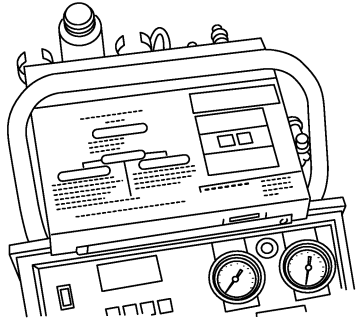
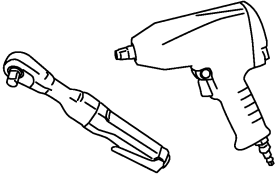
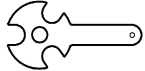
PREPARATION

Tool number (Kent-Moore No.) Tool name	Description
<p>— (J-39183-C) Manifold gauge set (with hoses and couplers)</p>  <p style="text-align: right; font-size: small;">RJIA0196E</p>	<p>Identification:</p> <ul style="list-style-type: none"> ● The gauge face indicates R-134a. Fitting size-Thread size ● 1/2"-16 ACME
<p>Service hoses:</p> <ul style="list-style-type: none"> ● High side hose (J-39500-72B) ● Low side hose (J-39500-72R) ● Utility hose (J-39500-72Y)  <p style="text-align: right; font-size: small;">S-NT201</p>	<p>Hose color:</p> <ul style="list-style-type: none"> ● Low side hose: Blue with black stripe ● High side hose: Red with black stripe ● Utility hose: Yellow with black stripe or green with black stripe <p>Hose fitting to gauge:</p> <ul style="list-style-type: none"> ● 1/2"-16 ACME
<p>Service couplers</p> <ul style="list-style-type: none"> ● High side coupler (J-39500-20A) ● Low side coupler (J-39500-24A)  <p style="text-align: right; font-size: small;">S-NT202</p>	<p>Hose fitting to service hose:</p> <ul style="list-style-type: none"> ● M14 x 1.5 fitting is optional or permanently attached.
<p>— (J-39699) Refrigerant weight scale</p>  <p style="text-align: right; font-size: small;">S-NT200</p>	<p>For measuring of refrigerant Fitting size-Thread size</p> <ul style="list-style-type: none"> ● 1/2"-16 ACME
<p>— (J-39649) Vacuum pump (Including the isolator valve)</p>  <p style="text-align: right; font-size: small;">S-NT203</p>	<p>Capacity:</p> <ul style="list-style-type: none"> ● Air displacement: 4 CFM ● Micron rating: 20 microns ● Oil capacity: 482 g (17 oz) <p>Fitting size-Thread size</p> <ul style="list-style-type: none"> ● 1/2"-16 ACME

PREPARATION

Commercial Service Tools

EJS003BC

Tool name	Description
<p>(J-41810-NI) Refrigerant identifier equipment (R-134a)</p>  <p style="text-align: right; font-size: small;">RJIA0197E</p>	<p>For checking refrigerant purity and system contamination</p>
<p>Power tool</p>  <p style="text-align: right; font-size: small;">PBIC0190E</p>	<p>Loosening bolts and nuts</p>
<p>(J-44614) Clutch disc holding tool</p>  <p style="text-align: right; font-size: small;">WHA230</p>	<p>Clutch disc holding tool</p>

A
B
C
D
E
F
G
H
I

ATC

K
L
M

REFRIGERATION SYSTEM

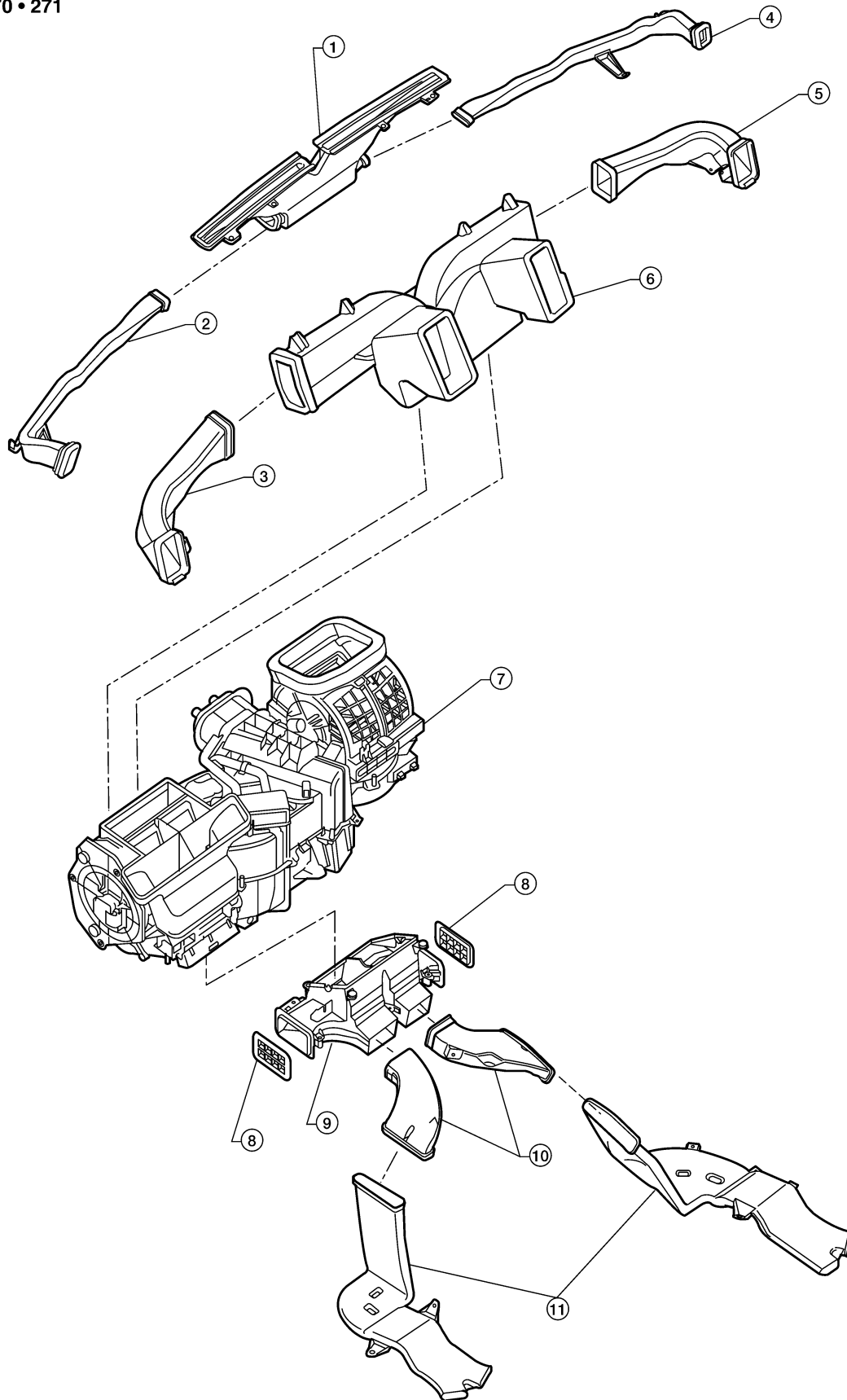
PFP:KA990

EJS002WJ

REFRIGERATION SYSTEM

Components FRONT REFRIGERATION SYSTEM

SEC. 270 • 271

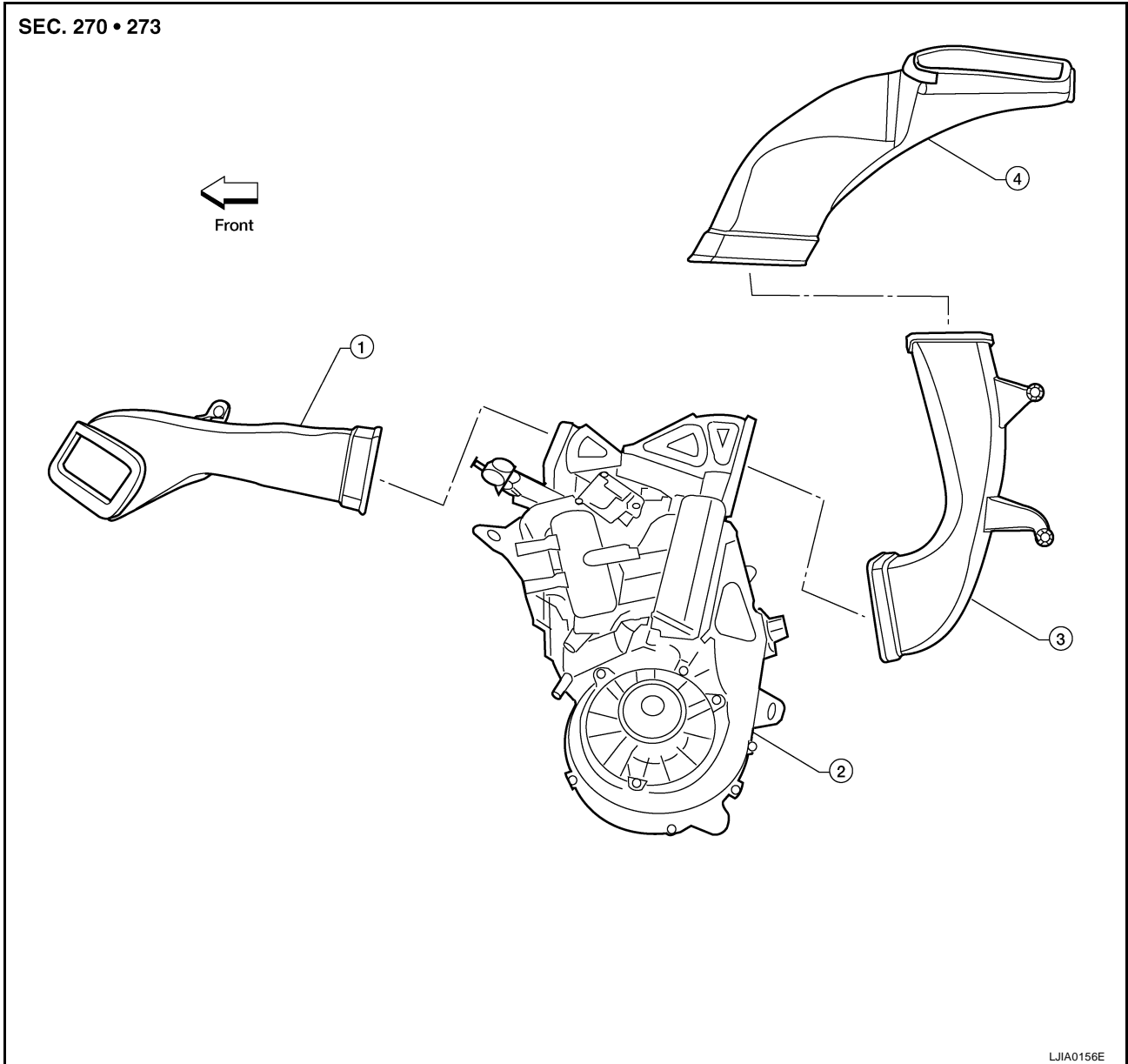


WJIA1260E

REFRIGERATION SYSTEM

- | | | |
|---|---------------------------------|---------------------------|
| 1. Defroster nozzle | 2. LH side demister duct | 3. LH ventilator duct |
| 4. RH side demister duct | 5. RH ventilator duct | 6. Center ventilator duct |
| 7. Front heater and cooling unit assembly | 8. Floor connector duct grilles | 9. Floor connector duct |
| 10. Front floor ducts | 11. Rear floor ducts | |

REAR REFRIGERATION SYSTEM



- | | | |
|-----------------------------|--|-----------------------------|
| 1. Side rear floor duct | 2. Rear heater and cooling unit assembly | 3. Rear lower overhead duct |
| 4. Rear upper overhead duct | | |

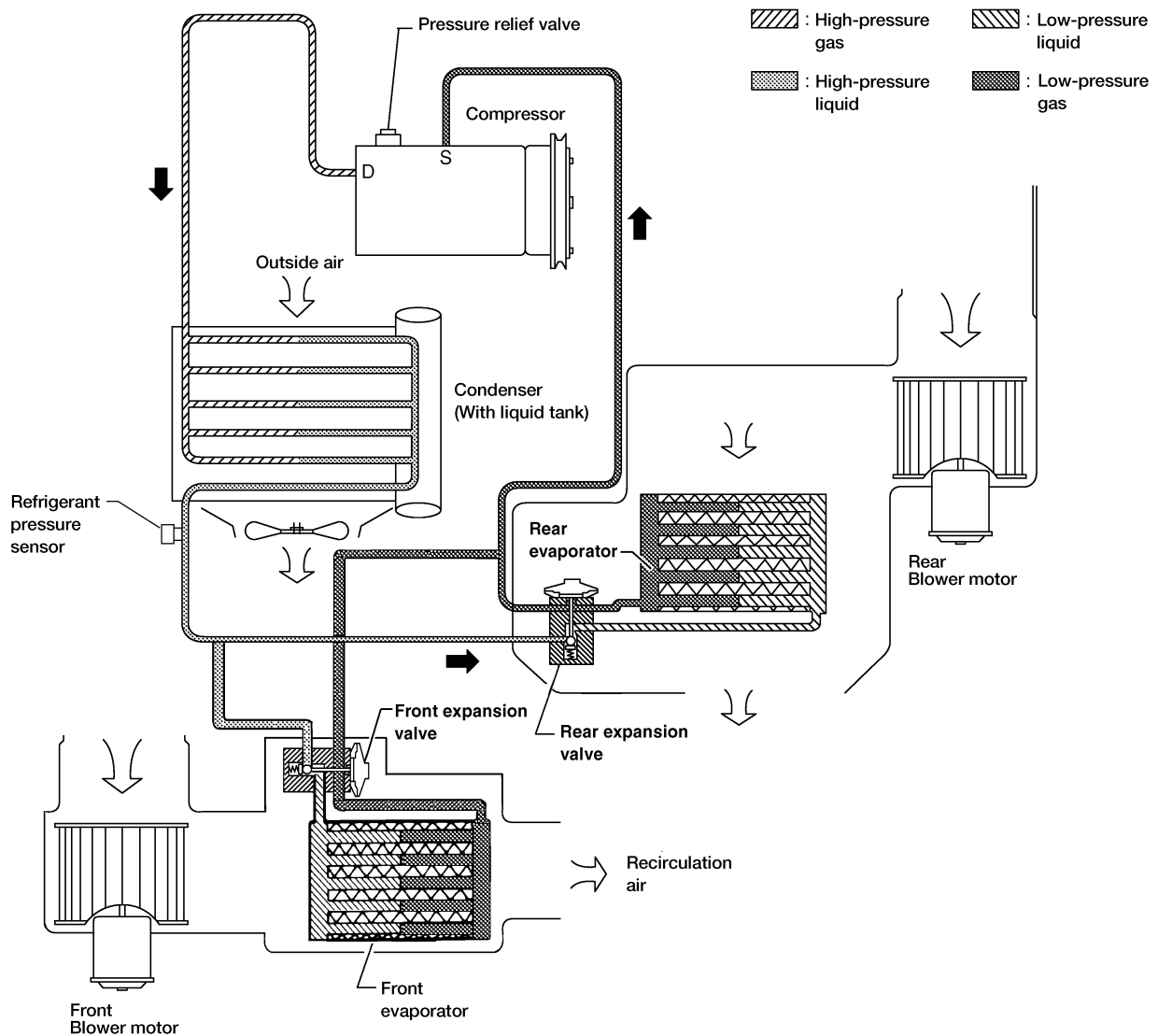
A
B
C
D
E
F
G
H
I
K
L
M

ATC

REFRIGERATION SYSTEM

Refrigerant Cycle

EJS002WH



WJIA1342E

REFRIGERANT FLOW

The refrigerant flows in the standard pattern, that is, through the compressor, the condenser with liquid tank, through the front and rear evaporators, and back to the compressor. The refrigerant evaporation through the evaporator coils are controlled by front and rear externally equalized expansion valves, located inside the front and rear evaporator cases.

FREEZE PROTECTION

The compressor cycles on and off to maintain the evaporator temperature within a specified range. When the evaporator coil temperature falls below a specified point, the intake sensor interrupts the compressor operation. When the evaporator coil temperature rises above the specification, the intake sensor allows compressor operation.

REFRIGERATION SYSTEM

Refrigerant System Protection REFRIGERANT PRESSURE SENSOR

EJS002WI

The refrigerant system is protected against excessively high- or low-pressures by the refrigerant pressure sensor, located on the condenser. If the system pressure rises above or falls below the specifications, the refrigerant pressure sensor detects the pressure inside the refrigerant line and sends a voltage signal to the ECM. The ECM de-energizes the A/C relay to disengage the magnetic compressor clutch when pressure on the high pressure side detected by refrigerant pressure sensor is over about 2,746 kPa (28 kg/cm² , 398 psi), or below about 120 kPa (1.22 kg/cm² , 17.4 psi).

PRESSURE RELIEF VALVE

The refrigerant system is also protected by a pressure relief valve, located in the rear head of the compressor. When the pressure of refrigerant in the system increases to an abnormal level [more than 2,990 kPa (30.5 kg/cm² , 433.6 psi)], the release port on the pressure relief valve automatically opens and releases refrigerant into the atmosphere.

A
B
C
D
E
F
G
H
I
K
L
M

ATC

LUBRICANT

PFPP:KLG00

LUBRICANT

Maintenance of Lubricant Quantity in Compressor

EJS002WK

The lubricant in the compressor circulates through the system with the refrigerant. Add lubricant to compressor when replacing any component or after a large refrigerant leakage has occurred. It is important to maintain the specified amount.

If lubricant quantity is not maintained properly, the following malfunctions may result:

- Lack of lubricant: May lead to a seized compressor
- Excessive lubricant: Inadequate cooling (thermal exchange interference)

LUBRICANT

Name: NISSAN A/C System Lubricant Type S (DH-PS) or equivalent

Part number: KLH00-PAGS0


CHECKING AND ADJUSTING

CAUTION:

If excessive lubricant leakage is noted, do not perform the lubricant return operation.

Start the engine and set the following conditions:

Test Condition

- **Engine speed: Idling to 1,200 rpm**
- **A/C switch: On**
- **Blower speed: Max. position**
- **Temp. control: Optional [Set so that intake air temperature is 25° to 30° C (77° to 86°F)]**
- **Intake position: Recirculation ()**
- **Perform lubricant return operation for about ten minutes**

Adjust the lubricant quantity according to the following table.

Lubricant Adjusting Procedure for Components Replacement Except Compressor

After replacing any of the following major components, add the correct amount of lubricant to the system.

Amount of Lubricant to be Added

Part replaced	Lubricant to be added to system		Remarks
	Amount of lubricant m ℓ (US fl oz, Imp fl oz)		
Front evaporator	75 (2.5, 2.6)		—
Rear evaporator	75 (2.5, 2.6)		—
Condenser	75 (2.5, 2.6)		—
Liquid tank	5 (0.2, 0.2)		Add if compressor is not replaced.
In case of refrigerant leak	30 (1.0, 1.1)		Large leak
	—		Small leak *1

*1: If refrigerant leak is small, no addition of lubricant is needed.

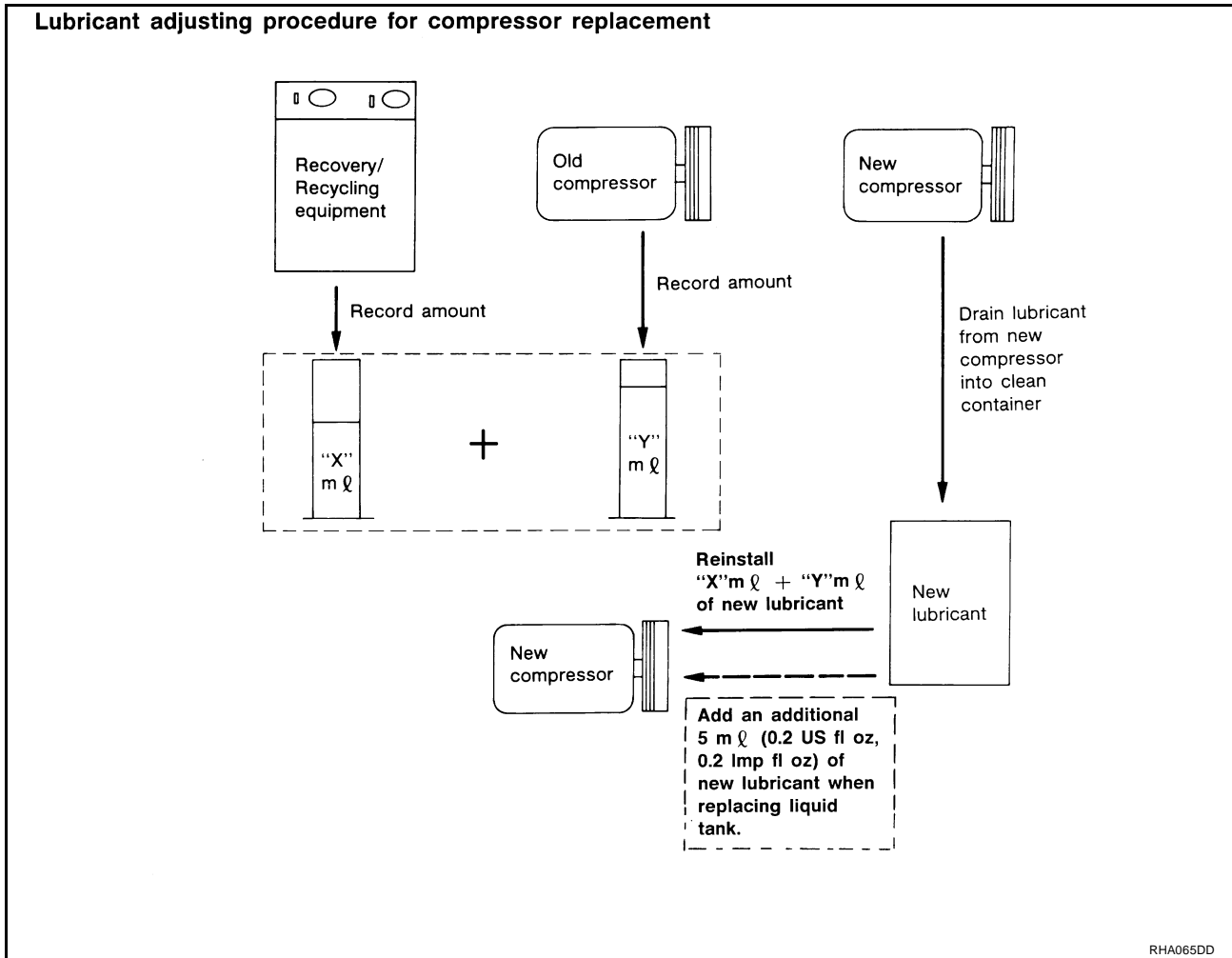
Lubricant Adjustment Procedure for Compressor Replacement

1. Before connecting recovery/recycling equipment to vehicle, check recovery/recycling equipment gauges. No refrigerant pressure should be displayed. If NG, recover refrigerant from equipment lines.
2. Connect recovery/recycling equipment to vehicle. Confirm refrigerant purity in supply tank using recovery/recycling equipment and refrigerant identifier. If NG, refer to [ATC-5, "Contaminated Refrigerant"](#) .
3. Confirm refrigerant purity in vehicle A/C system using recovery/recycling equipment and refrigerant identifier. If NG, refer to [ATC-5, "Contaminated Refrigerant"](#) .
4. Discharge refrigerant into the refrigerant recovery/recycling equipment. Measure lubricant discharged into the recovery/recycling equipment.
5. Drain the lubricant from the "old" (removed) compressor into a graduated container and recover the amount of lubricant drained.
6. Drain the lubricant from the "new" compressor into a separate, clean container.

LUBRICANT

7. Measure an amount of new lubricant installed equal to amount drained from “old” compressor. Add this lubricant to “new” compressor through the suction port opening.
8. Measure an amount of new lubricant equal to the amount recovered during discharging. Add this lubricant to “new” compressor through the suction port opening.
9. If the liquid tank also needs to be replaced, add an additional 5 m ℓ (0.2 US fl oz, 0.2 Imp fl oz) of lubricant at this time.

Do not add this 5 m ℓ (0.2 US fl oz, 0.2 Imp fl oz) of lubricant if only replacing the compressor.



A
B
C
D
E
F
G
H
I
ATC
K
L
M

AIR CONDITIONER CONTROL

AIR CONDITIONER CONTROL

PF2:27500

Description

EJS003R0

The front air control provides automatic regulation of the vehicle's interior temperature. The system is based on the driver's and passenger's selected "set temperature", regardless of the outside temperature changes. This is done by utilizing a microcomputer, also referred to as the front air control, which receives input signals from the following six sensors:

- Ambient sensor
- In-vehicle sensor
- Intake sensor
- Optical sensor (one sensor for driver and passenger side)
- PBR (Position Balanced Resistor).
- Vehicle speed sensor

The front air control uses these signals (including the set temperature) to automatically control:

- Outlet air volume
- Air temperature
- Air distribution

The front air control also provides separate regulation of the vehicle's interior temperature for the rear passenger area. The system is based on the temperature and rear blower settings selected from rear control switches located on the front air control, or from the temperature and rear blower settings selected from rear control switches on the rear air control, when the front air control switches are set to the rear position.

The front air control is used to select:

- Outlet air volume
- Air temperature/distribution

Operation

EJS003R1

AIR MIX DOORS CONTROL

The air mix doors are automatically controlled so that in-vehicle temperature is maintained at a predetermined value by the temperature setting, ambient temperature, in-vehicle temperature and amount of sunload.

BLOWER SPEED CONTROL

Blower speed is automatically controlled by the temperature setting, ambient temperature, in-vehicle temperature, intake temperature, amount of sunload and air mix door position.

When AUTO switch is pressed, the blower motor starts to gradually increase air flow volume (if required).

When engine coolant temperature is low, the blower motor operation is delayed to prevent cool air from flowing.

INTAKE DOOR CONTROL

The intake door is automatically controlled by the temperature setting, ambient temperature, in-vehicle temperature, intake temperature, amount of sunload and the ON-OFF operation of the compressor.

MODE DOOR CONTROL

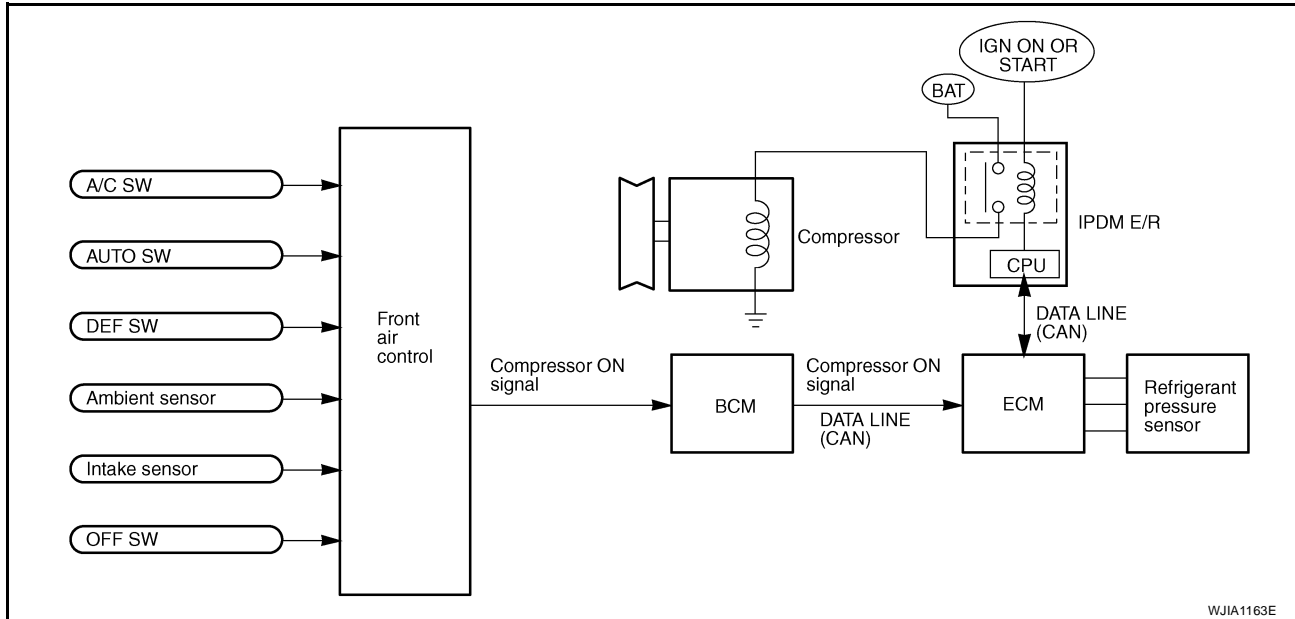
The mode door is automatically controlled by the temperature setting, ambient temperature, in-vehicle temperature, intake temperature and amount of sunload.

DEFROSTER DOOR CONTROL

The defroster door is controlled by: Turning the defroster dial to front defroster.

AIR CONDITIONER CONTROL

MAGNET CLUTCH CONTROL



When A/C switch or DEF switch is pressed, front air control inputs compressor ON signal to BCM.

BCM sends compressor ON signal to ECM, via CAN communication line.

ECM judges whether compressor can be turned ON, based on each sensor status (refrigerant pressure sensor signal, throttle angle sensor, etc.). If it judges compressor can be turned ON, it sends compressor ON signal to IPDM E/R, via CAN communication line.

Upon receipt of compressor ON signal from ECM, IPDM E/R turns air conditioner relay ON to operate compressor.

SELF-DIAGNOSTIC SYSTEM

The self-diagnostic system is built into the front air control to quickly locate the cause of symptoms. Refer to [ATC-50, "A/C System Self-diagnosis Function \(With NAVI\)"](#).

A
B
C
D
E
F
G
H
I
K
L
M

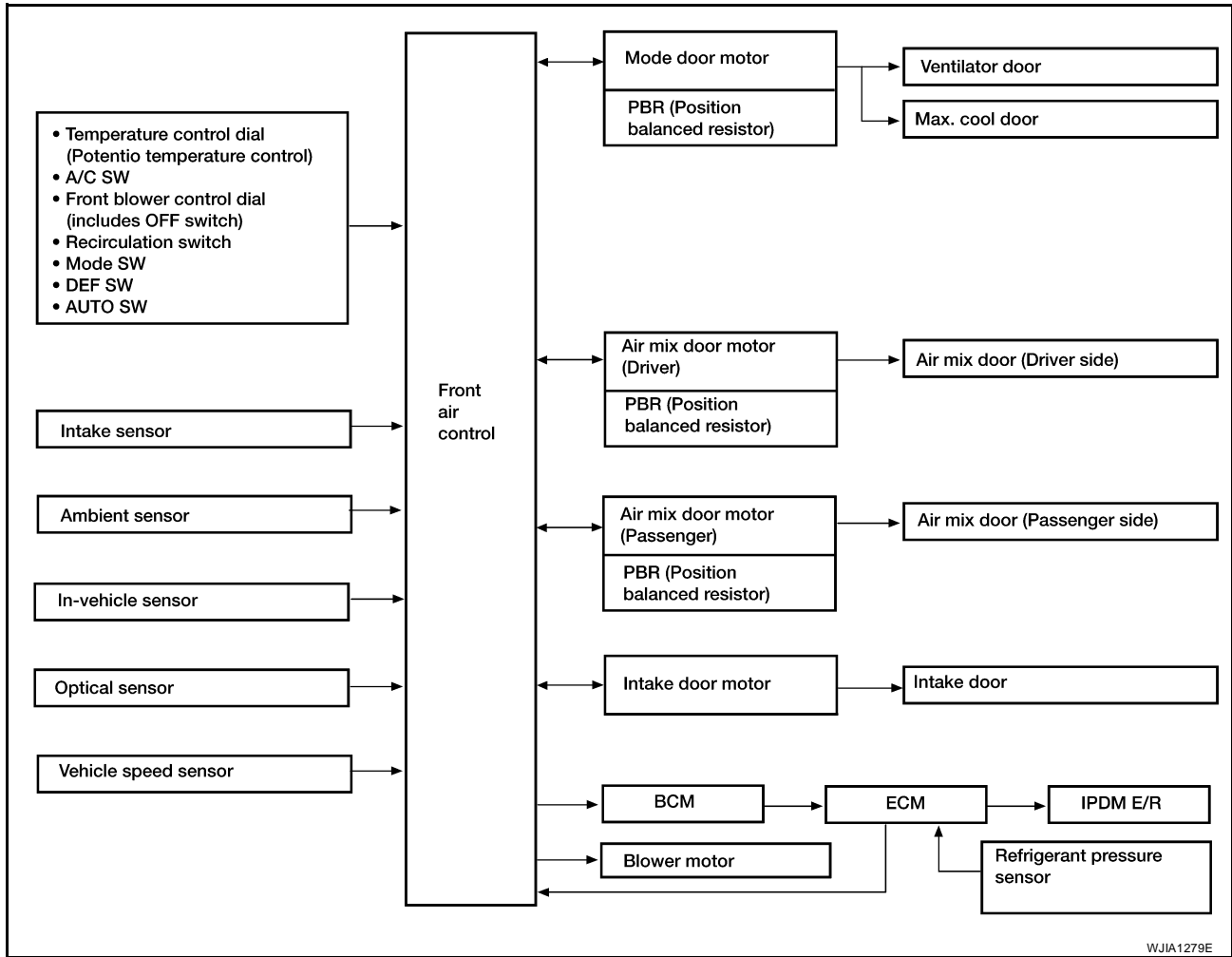
ATC

AIR CONDITIONER CONTROL

EJS0030Y

Description of Control System

The control system consists of input sensors, switches, the front air control (microcomputer) and outputs. The relationship of these components is shown in the figure below:

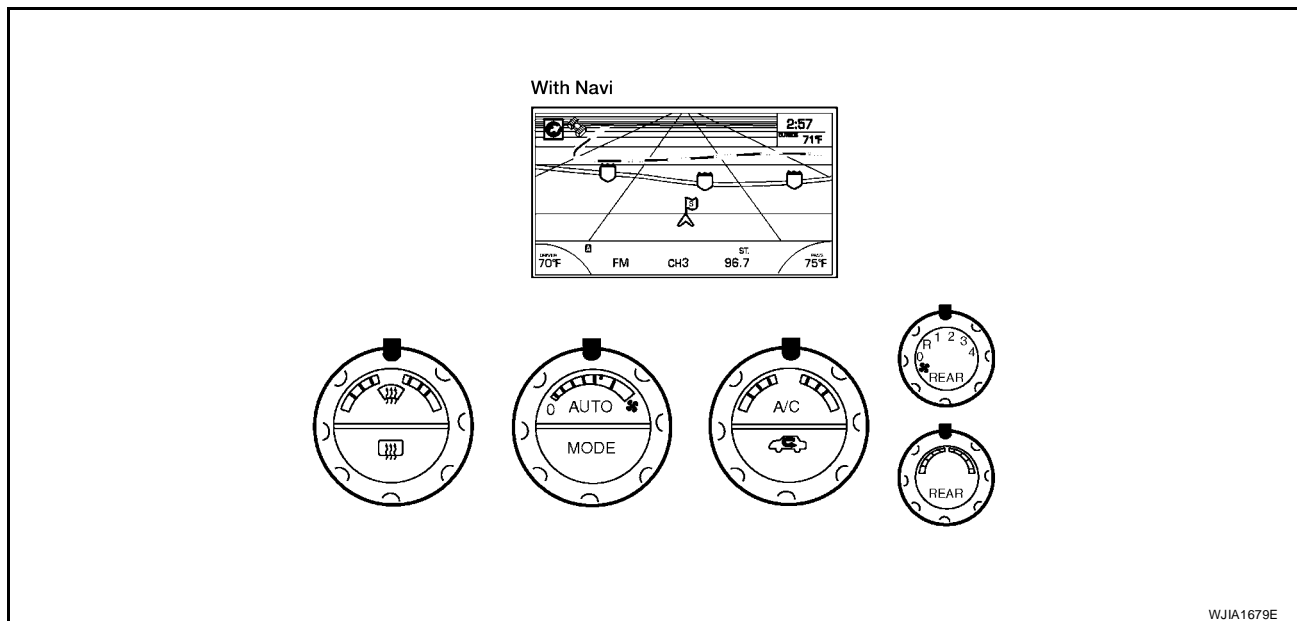


WJJA1279E

Control Operation

EJS0030Z

Front air control



WJJA1679E

AIR CONDITIONER CONTROL

DISPLAY SCREEN (WITH NAVI)

Displays the operational status of the system.

A

AUTO SWITCH

- The compressor, intake door, air mix doors, outlet doors and blower speed are automatically controlled so that the in-vehicle temperature will reach, and be maintained at the set temperature selected by the operator.
- When pressing AUTO switch, air inlet, air outlet, blower speed, and discharge air temperature are automatically controlled.

B

C

TEMPERATURE CONTROL DIAL (TEMPERATURE CONTROL) (DRIVER SIDE)

Increases or decreases the set temperature.

D

TEMPERATURE CONTROL DIAL (TEMPERATURE CONTROL) (PASSENGER SIDE)

Increases or decreases the set temperature.

E

TEMPERATURE CONTROL DIAL (TEMPERATURE AND MODE CONTROL) (REAR)

Increases or decreases the set temperature. The mode also changes from foot at full hot setting, to foot/vent mid-range (warm) setting, and then to vent on full cold setting.

F

RECIRCULATION () SWITCH

- When REC switch is ON, REC switch indicator turns ON, and air inlet is set to REC.
- When REC switch is turned OFF, or when compressor is turned from ON to OFF, REC switch is automatically turned OFF. REC mode can be re-entered by pressing REC switch again.
- REC switch is not operated when DEF switch is turned ON, or at the D/F position.

G

H

DEFROSTER (DEF) SWITCH

Positions the air outlet doors to the defrost position. Also positions the intake doors to the outside air position.

REAR WINDOW DEFOGGER SWITCH

When switch is ON, rear window is defogged.

I

OFF SWITCH

The compressor and blower are OFF, the intake doors are set to the outside air position, and the air outlet doors are set to the foot (75% foot and 25% defrost) position.

ATC

A/C SWITCH

The compressor is ON or OFF.

(Pressing the A/C switch when the AUTO switch is ON will turn off the A/C switch and compressor.)

K

MODE SWITCH (FRONT)

Controls the air discharge outlets.

L

FRONT BLOWER CONTROL DIAL

Manually control the blower speed. Seven speeds are available for manual control (as shown on the display screen on all models with Navi).

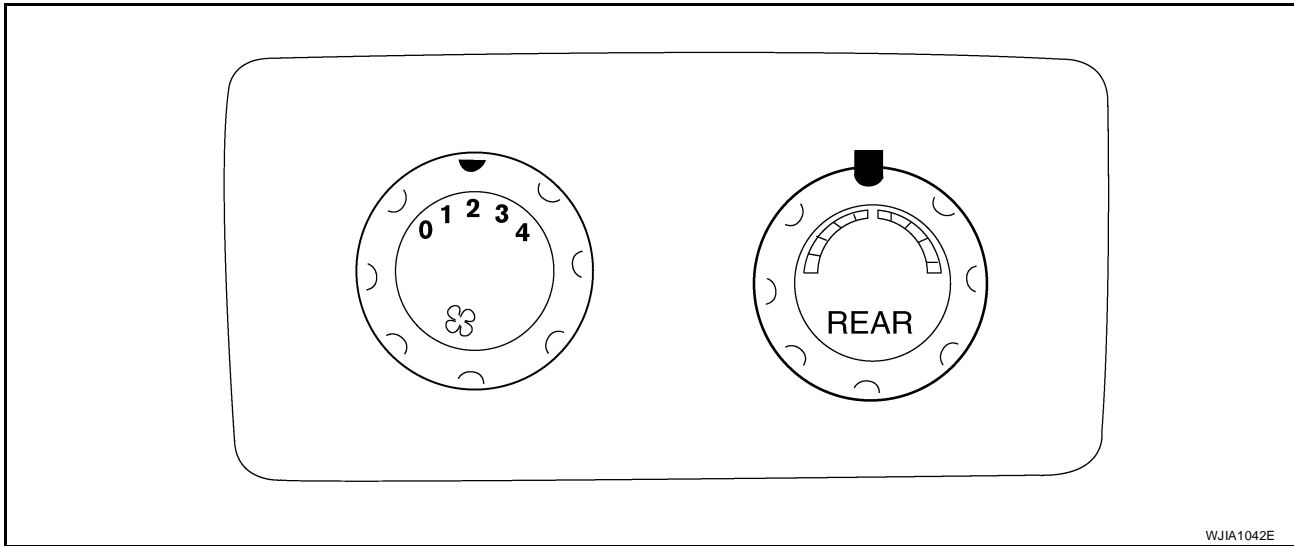
M

MODE SWITCH (REAR)

Controls the air/temperature at discharge outlets.

AIR CONDITIONER CONTROL

Rear Air Control



TEMPERATURE CONTROL DIAL (TEMPERATURE AND MODE CONTROL)

The temperature increases or decreases the set temperature. The mode also changes from foot at full hot setting, to foot/vent at mid-range (warm) setting, and then to vent at full cold setting.

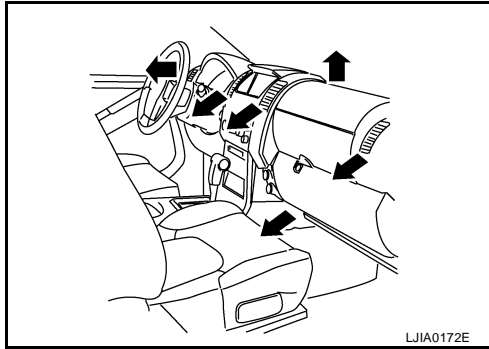
REAR BLOWER CONTROL DIAL

When the rear blower switch (front) is in the OFF position, the rear blower motor cannot operate. When the rear blower switch (front) is in the REAR position, it allows the rear blower switch (rear) to control the rear blower motor speed. In any other position (1-4), the rear blower switch (front) controls the rear blower motor speed regardless of the rear blower switch (rear) position.

AIR CONDITIONER CONTROL

Discharge Air Flow FRONT

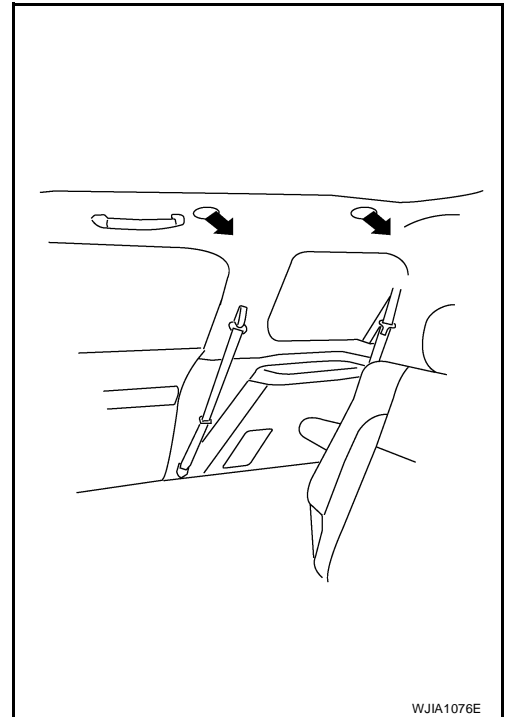
EJS002WP



Mode door position	Air outlet/distribution		
	Vent	Foot	Defroster
	94%	6%	—
	60%	40%	—
	18%	64%	18%
	14%	53%	33%
	—	13%	87%

Airflow always present at driver and passenger side demisters

REAR



Mode door position	Air outlet/distribution	
	Roof Vent	Foot
Cool	80%	20%
Mid	80%	20%
Hot	80%	20%

Airflow distribution is always constant

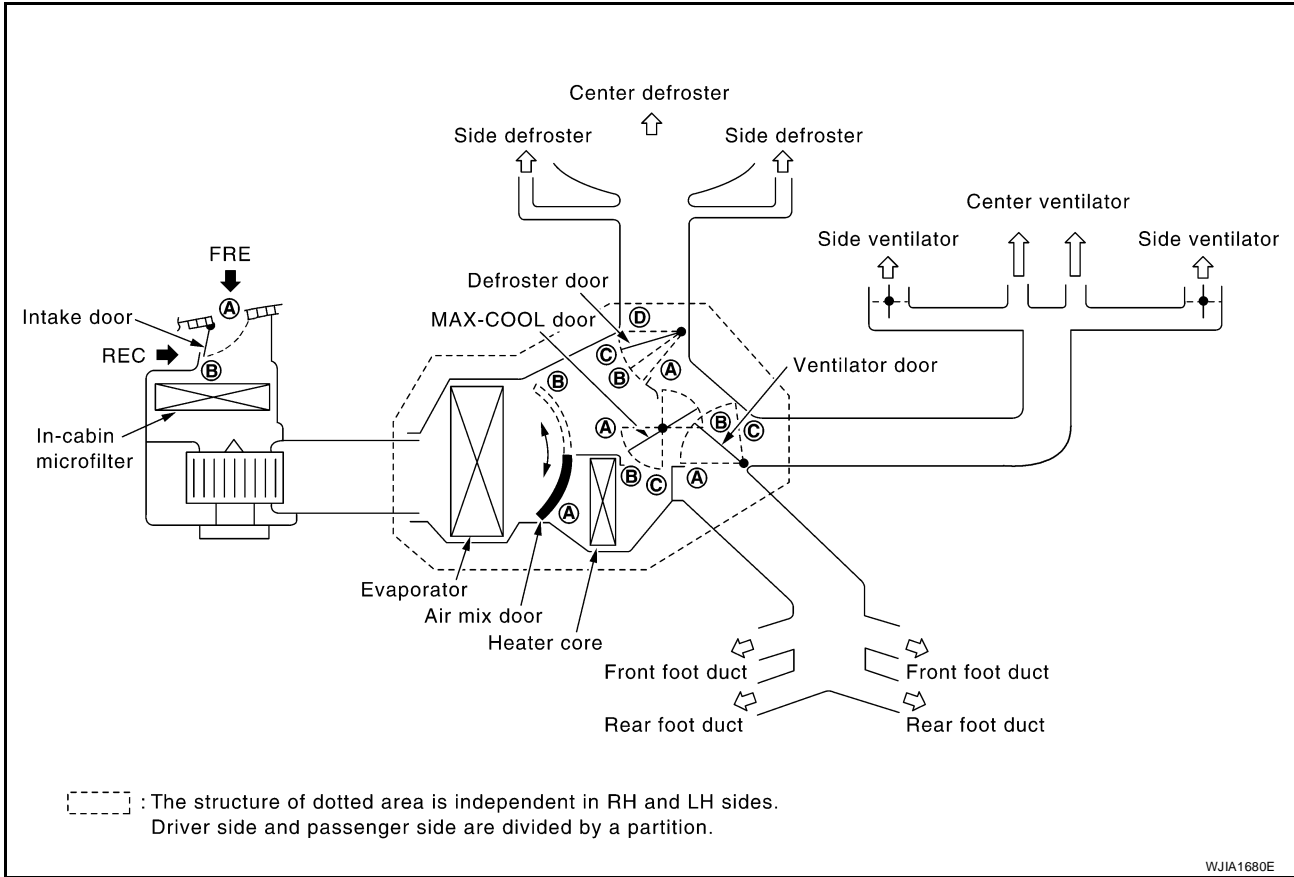
A
B
C
D
E
F
G
H
I
K
L
M

ATC

AIR CONDITIONER CONTROL

System Description (Front) SWITCHES AND THEIR CONTROL FUNCTION

EJS002WQ



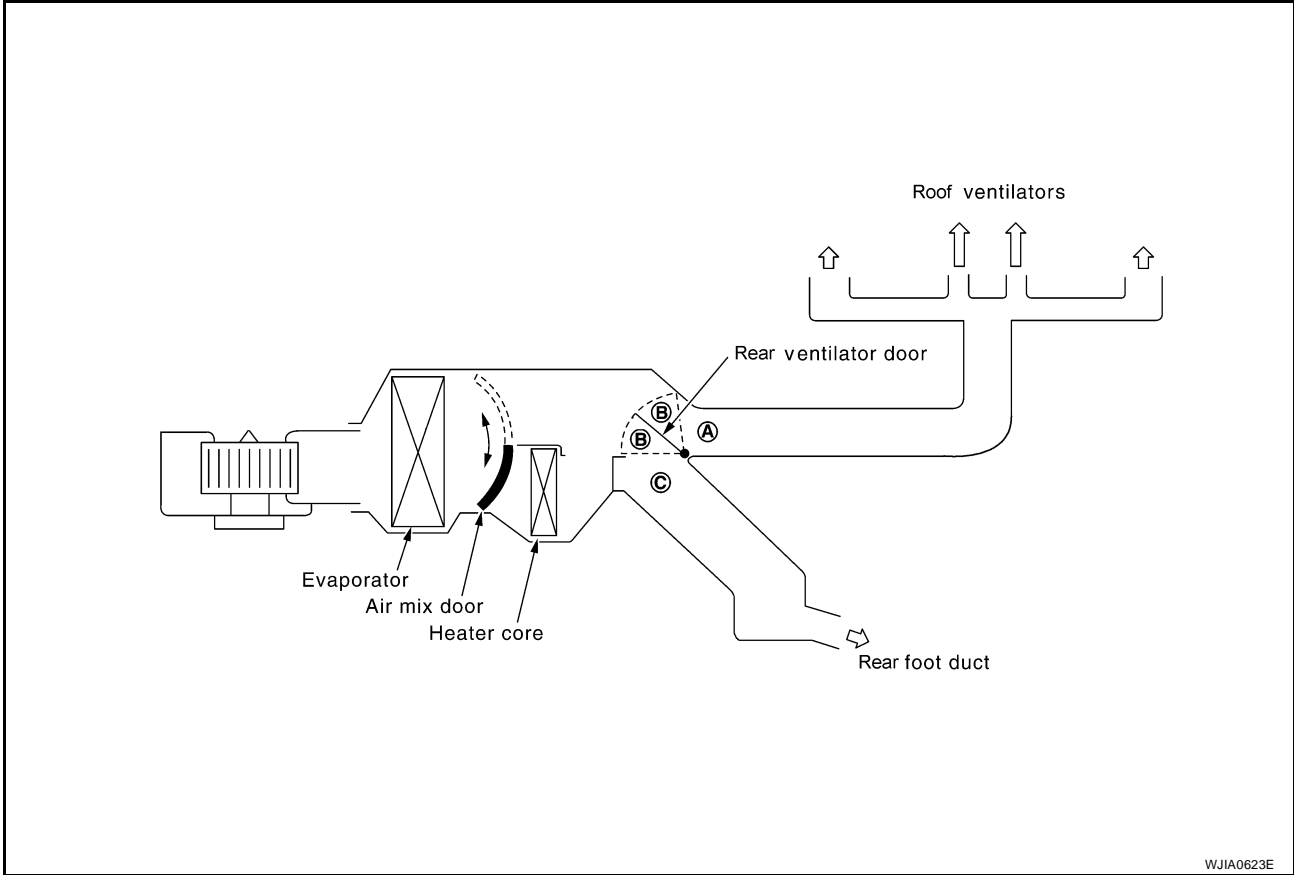
Position or switch	MODE SW				DEF SW		REC SW		Temperature control dial			OFF SW	
	VENT	B/L	FOOT	D/F	ON	OFF	ON	OFF					
					FRONT								COLD
Ventilator door	(A)	(B)	(C)	(C)	(C)	—	—	—	—			(C)	
MAX-COOL door	(A)	(B)	(B)	(B)	(C)		—	—	—			(B)	
Defroster door	(D)	(D)	(D _{or} C)	(B)	(A)		—	—	—			(C)	
Intake door	—				(B)		—	(A)	(B)	—			(B)
Air mix door	—				—		—	—			(A)	AUTO	(B)

WJIA1237E

AIR CONDITIONER CONTROL

System Description (Rear) SWITCHES AND THEIR CONTROL FUNCTION

EJS002WR



A
B
C
D
E
F
G
H
I

ATC

	Temp Control Dial		OFF SW
Door	COLD	~	HOT
Mode door	Fixed Position		
Air mix door	(A)		(B) —

WJIA1685E

K
L
M

CAN Communication System Description

EJS002WS

Refer to [LAN-24, "CAN COMMUNICATION"](#) .

TROUBLE DIAGNOSIS

TROUBLE DIAGNOSIS

PFP:00004

CONSULT-II Function (BCM)

EJS002WT

CONSULT-II can display each diagnostic item using the diagnostic test modes shown following.

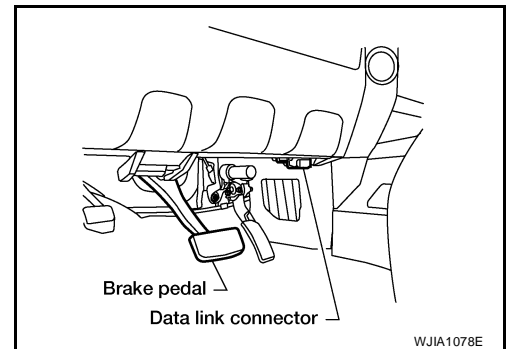
BCM diagnostic test item	Diagnostic mode	Description
Inspection by part	WORK SUPPORT	Supports inspections and adjustments. Commands are transmitted to the BCM for setting the status suitable for required operation, input/output signals are received from the BCM and received data is displayed.
	DATA MONITOR	Displays BCM input/output data in real time.
	ACTIVE TEST	Operation of electrical loads can be checked by sending drive signal to them.
	SELF-DIAG RESULTS	Displays BCM self-diagnosis results.
	CAN DIAG SUPPORT MNTR	The result of transmit/receive diagnosis of CAN communication can be read.
	ECU PART NUMBER	BCM part number can be read.
	CONFIGURATION	Performs BCM configuration read/write functions.

CONSULT-II BASIC OPERATION

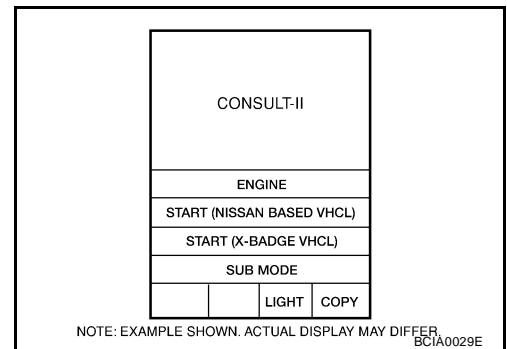
CAUTION:

If CONSULT-II is used with no connection of CONSULT-II CONVERTER, malfunctions might be detected in self-diagnosis depending on control unit which carries out CAN communication.

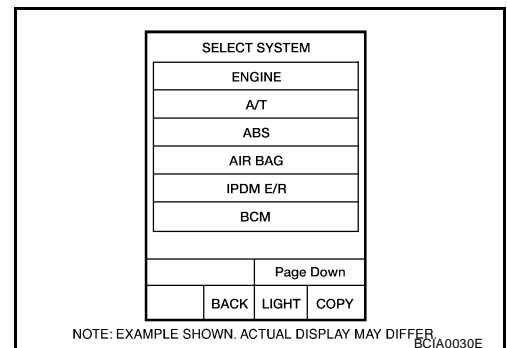
1. With the ignition switch OFF, connect CONSULT-II and CONSULT-II CONVERTER to the data link connector, and turn the ignition switch ON.



2. Touch "START (NISSAN BASED VHCL)".



3. Touch "BCM" on "SELECT SYSTEM" screen. If "BCM" is not indicated, go to [GI-39, "CONSULT-II Data Link Connector \(DLC\) Circuit"](#).



A
B
C
D
E
F
G
H
I
K
L
M

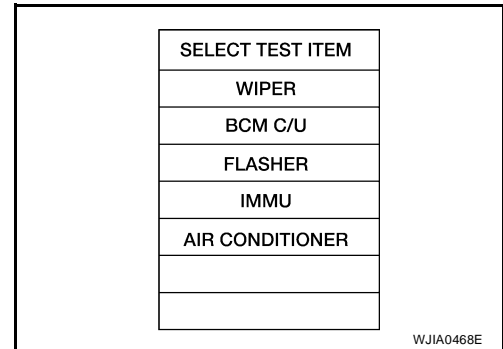
ATC

TROUBLE DIAGNOSIS

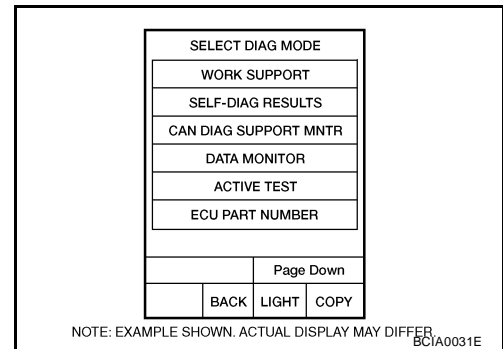
DATA MONITOR

Operation Procedure

1. Touch "AIR CONDITIONER" on "SELECT TEST ITEM" screen.



2. Touch "DATA MONITOR" on "SELECT DIAG MODE" screen.



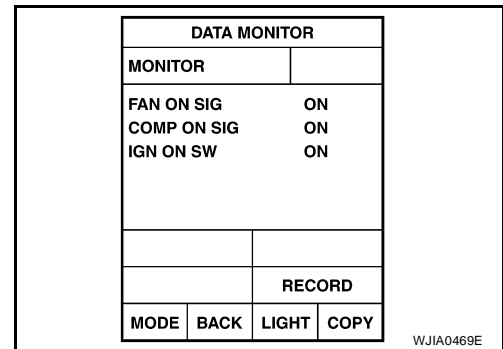
3. Touch either "ALL SIGNALS" or "SELECTION FROM MENU" on "DATA MONITOR" screen.

All signals	Monitors all the items.
Selection from menu	Selects and monitors the individual item selected.

4. When "SELECTION FROM MENU" is selected, touch items to be monitored. When "ALL SIGNALS" is selected, all the items will be monitored.

5. Touch "START".

6. Touch "RECORD" while monitoring, then the status of the monitored item can be recorded. To stop recording, touch "STOP".



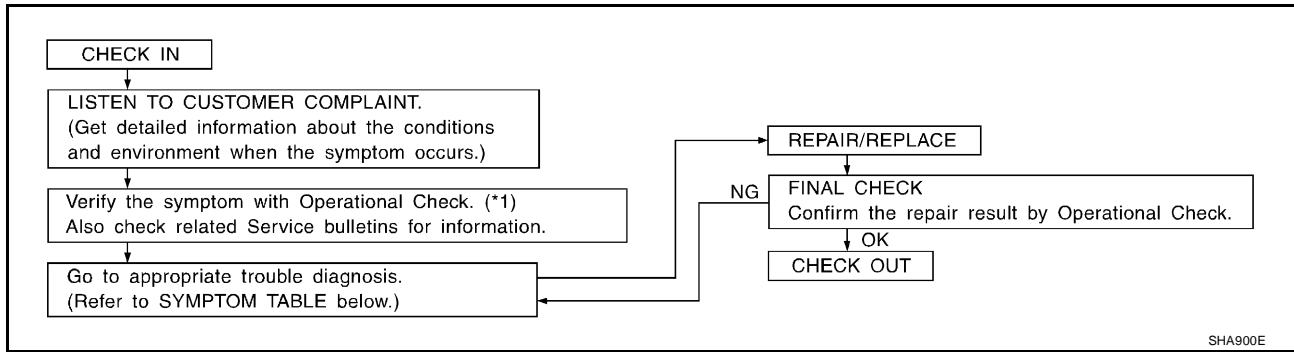
Display Item List

Monitor item name "OPERATION OR UNIT"	Contents
IGN ON SW "ON/OFF"	Displays "IGN Position (ON)/OFF, ACC Position (OFF)" status as judged from ignition switch signal.
COMP ON SIG "ON/OFF"	Displays "COMP (ON)/COMP (OFF)" status as judged from air conditioner switch signal.
FAN ON SIG "ON/OFF"	Displays "FAN (ON)/FAN (OFF)" status as judged from blower motor switch signal.

TROUBLE DIAGNOSIS

How to Perform Trouble Diagnosis for Quick and Accurate Repair WORK FLOW

EJS002WU



*1 [ATC-52, "Operational Check \(Front\)"](#)
or [ATC-55, "Operational Check \(Rear\)"](#) .

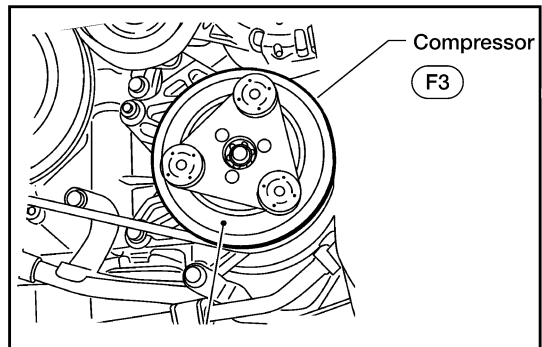
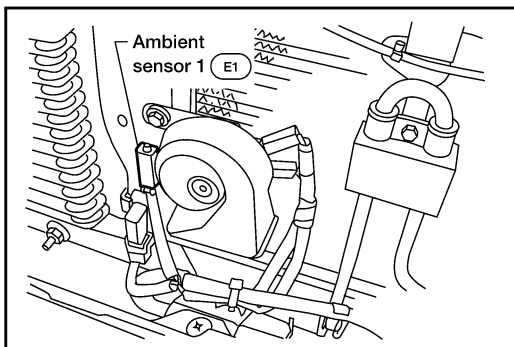
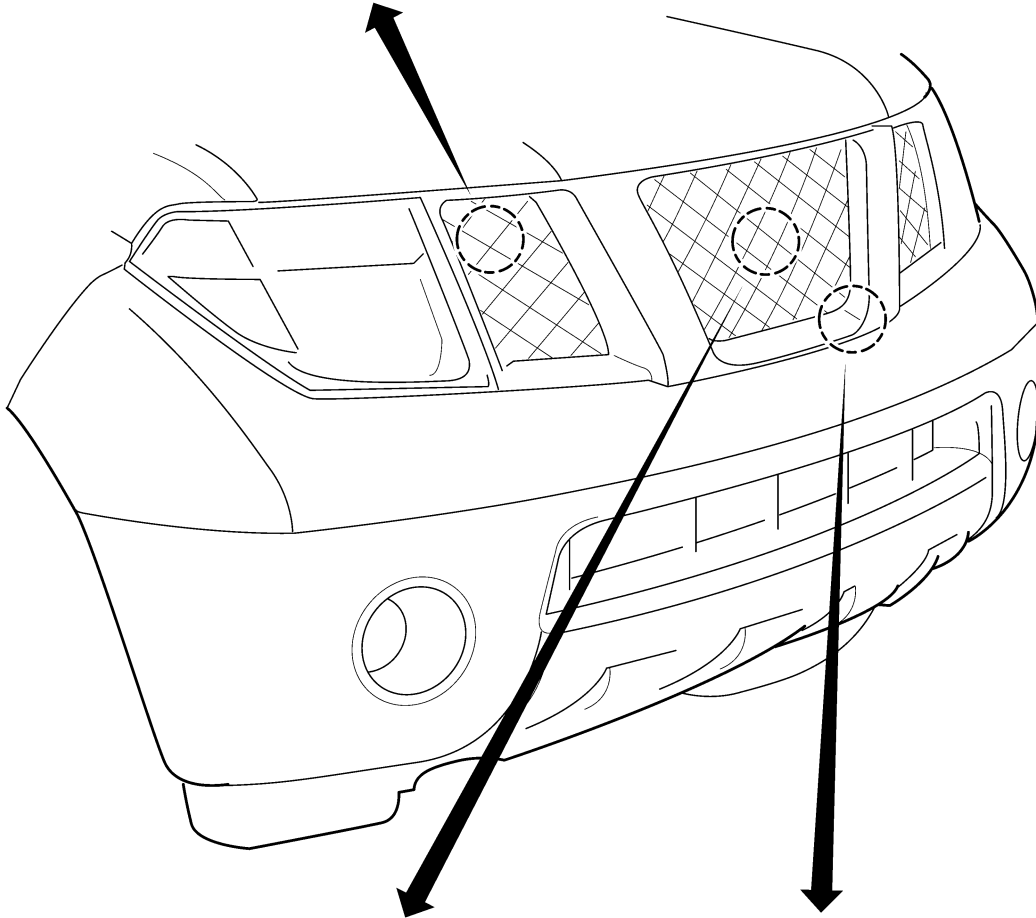
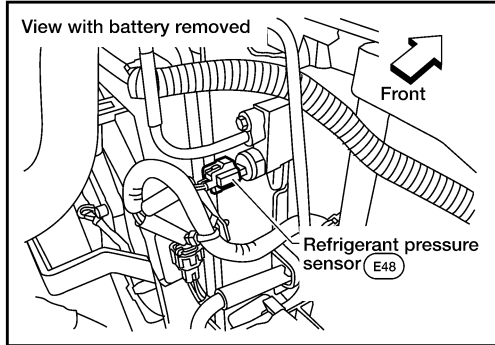
SYMPTOM TABLE

Symptom	Reference Page	
A/C system does not come on.	Go to Trouble Diagnosis Procedure for A/C System.	ATC-56
A/C system display is malfunctioning.	Go to "Navigation System".	AV-69
A/C system cannot be controlled.	Go to Self-diagnosis Function.	ATC-50
Air outlet does not change.	Go to Trouble Diagnosis Procedure for Mode Door Motor.	ATC-59
Mode door motor is malfunctioning.		
Discharge air temperature does not change.	Go to Trouble Diagnosis Procedure for Air Mix Door Motor.	ATC-63
Air mix door motor is malfunctioning.		
Intake door does not change.	Go to Trouble Diagnosis Procedure for Intake Door Motor.	ATC-72
Intake door motor is malfunctioning.		
Front blower motor operation is malfunctioning.	Go to Trouble Diagnosis Procedure for Front Blower Motor.	ATC-75
Rear blower motor operation is malfunctioning.	Go to Trouble Diagnosis Procedure for Rear Blower Motor.	ATC-82
Rear discharge air temperature and/or air outlet does not change.	Go to Trouble Diagnosis Procedure for Rear Air Control circuit.	ATC-93
Magnet clutch does not engage.	Go to Trouble Diagnosis Procedure for Magnet Clutch.	ATC-96
Insufficient cooling	Go to Trouble Diagnosis Procedure for Insufficient Cooling.	ATC-102
Insufficient heating	Go to Trouble Diagnosis Procedure for Insufficient Heating.	ATC-109
Noise	Go to Trouble Diagnosis Procedure for Noise.	ATC-113
Self-diagnosis cannot be performed.	Go to Trouble Diagnosis Procedure for Self-diagnosis.	ATC-115
Memory function does not operate.	Go to Trouble Diagnosis Procedure for Memory Function.	ATC-116

TROUBLE DIAGNOSIS

Component Parts and Harness Connector Location ENGINE COMPARTMENT

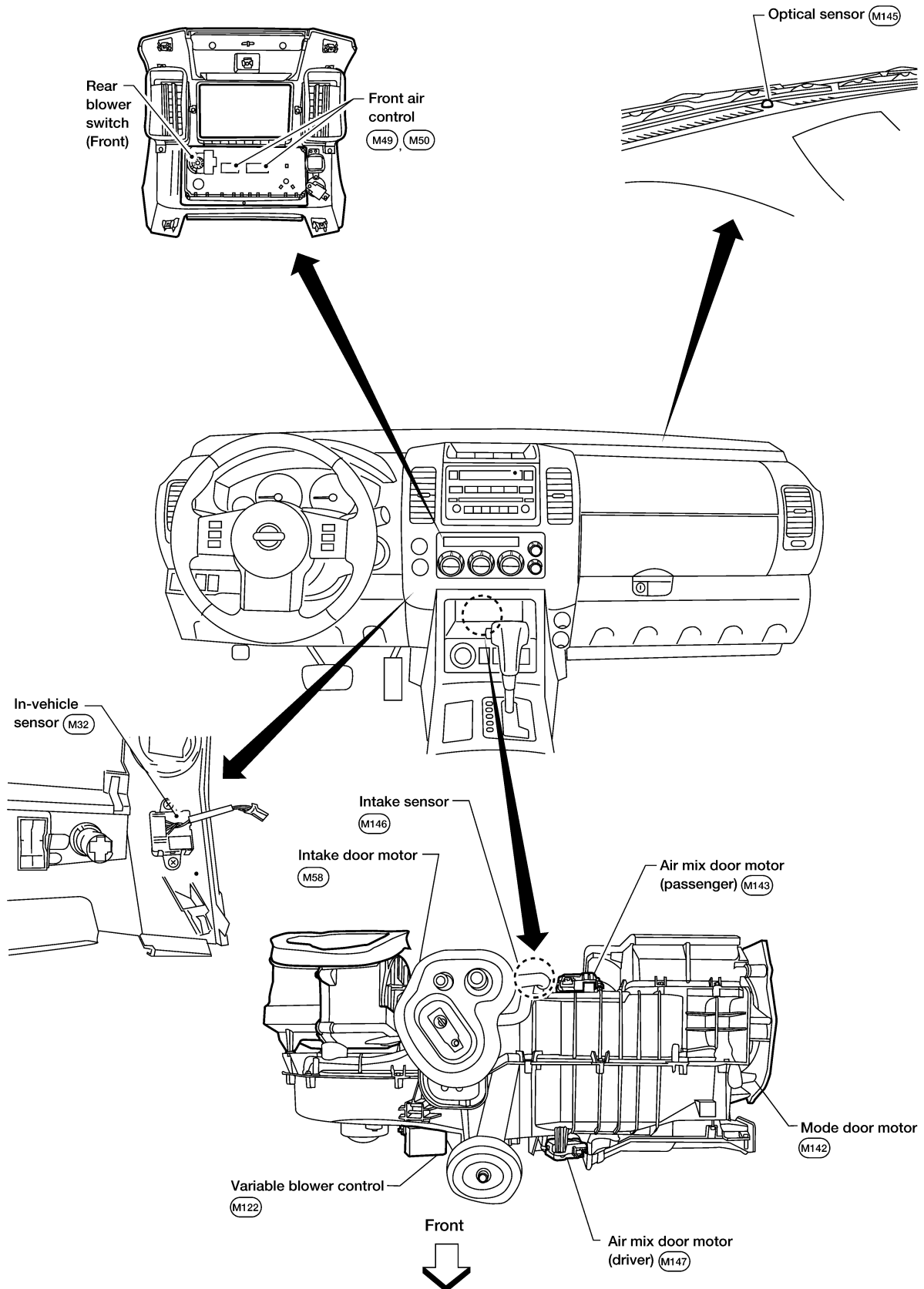
EJS002WV



LJIA0160E

TROUBLE DIAGNOSIS

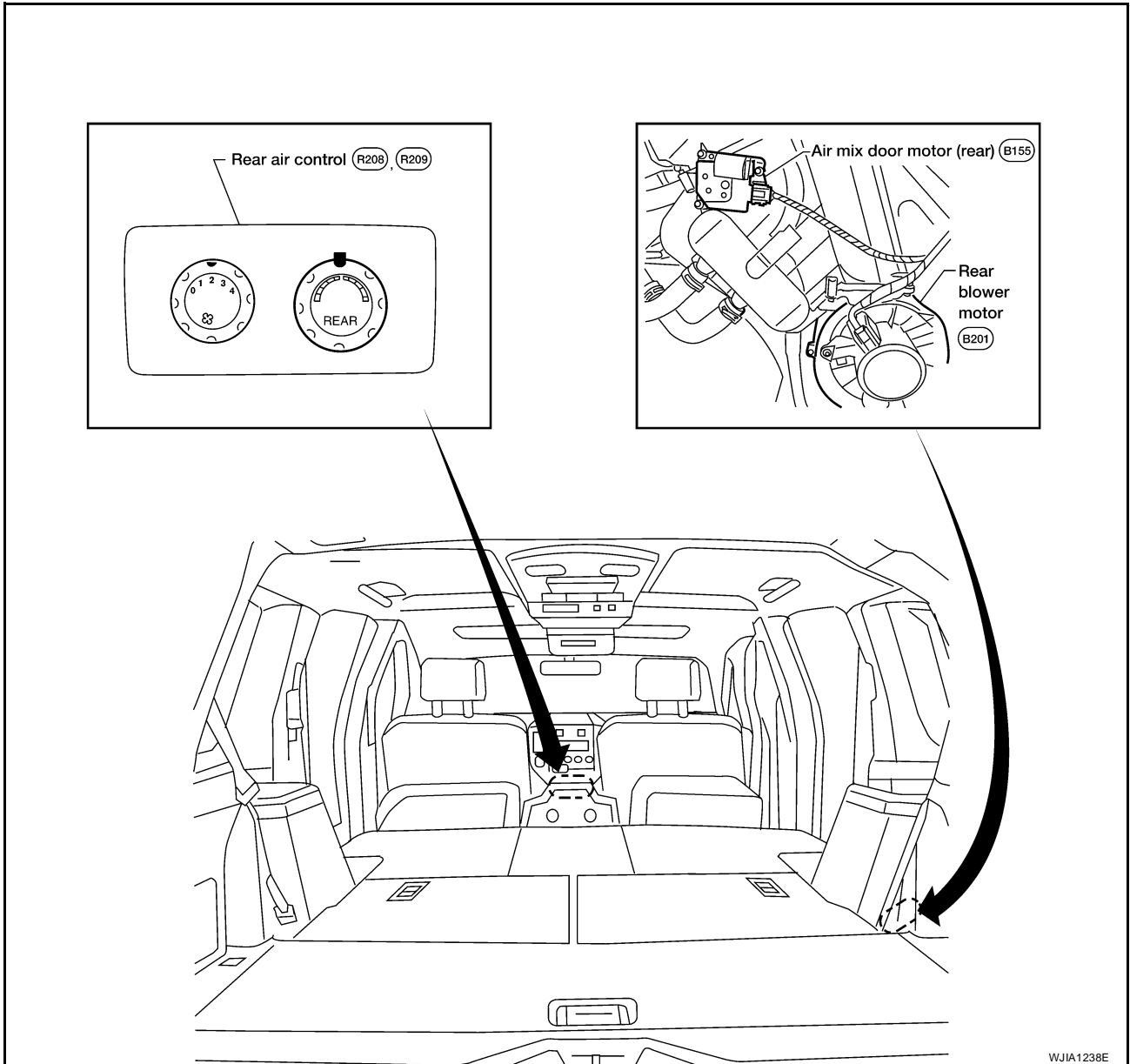
FRONT PASSENGER COMPARTMENT



WJIA1901E

TROUBLE DIAGNOSIS

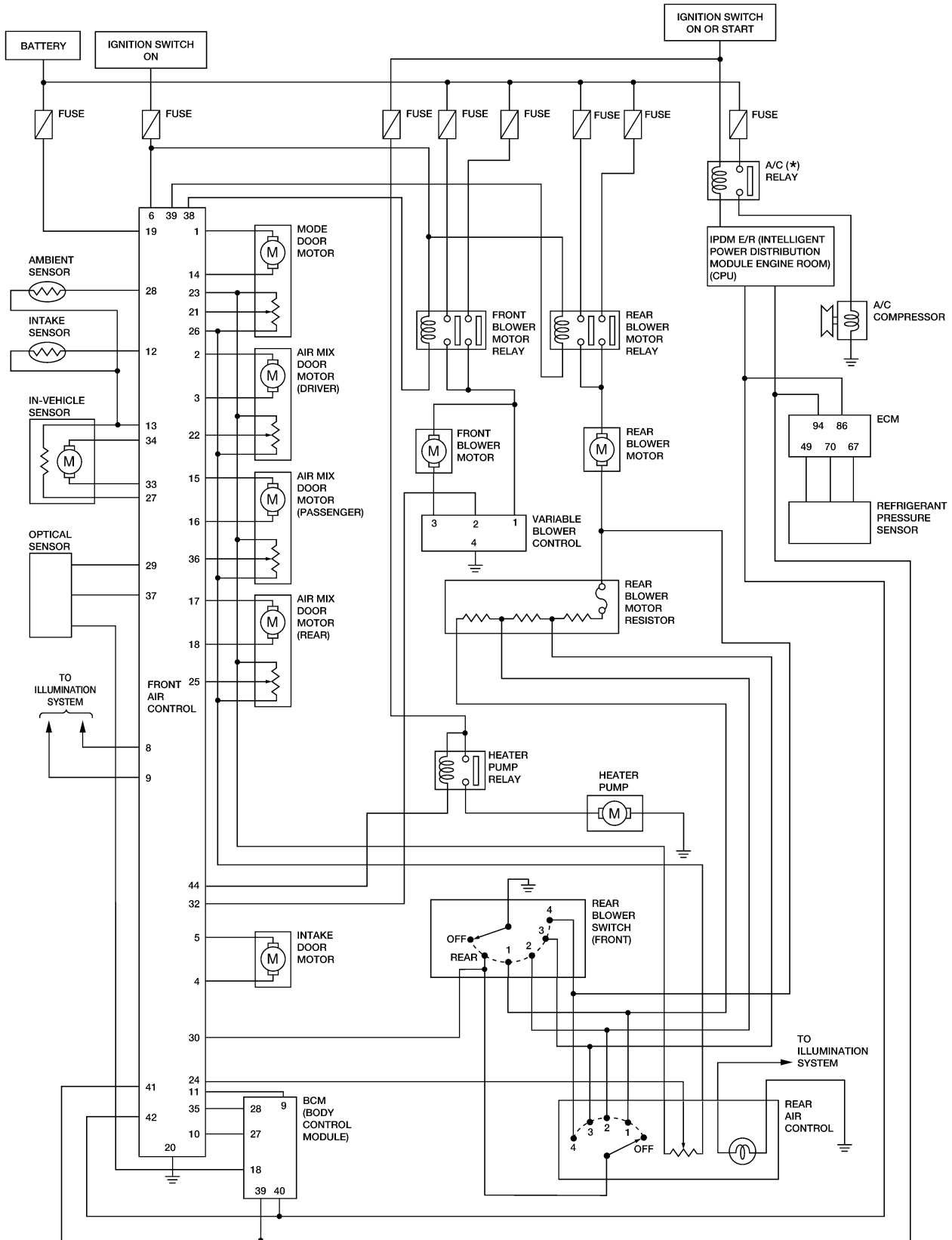
REAR PASSENGER COMPARTMENT



TROUBLE DIAGNOSIS

Schematic

EJS002WW



* : THIS RELAY IS BUILT INTO THE IPDM E/R (INTELLIGENT POWER DISTRIBUTION MODULE ENGINE ROOM)

WJWA0196E

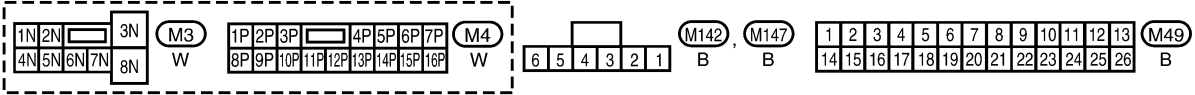
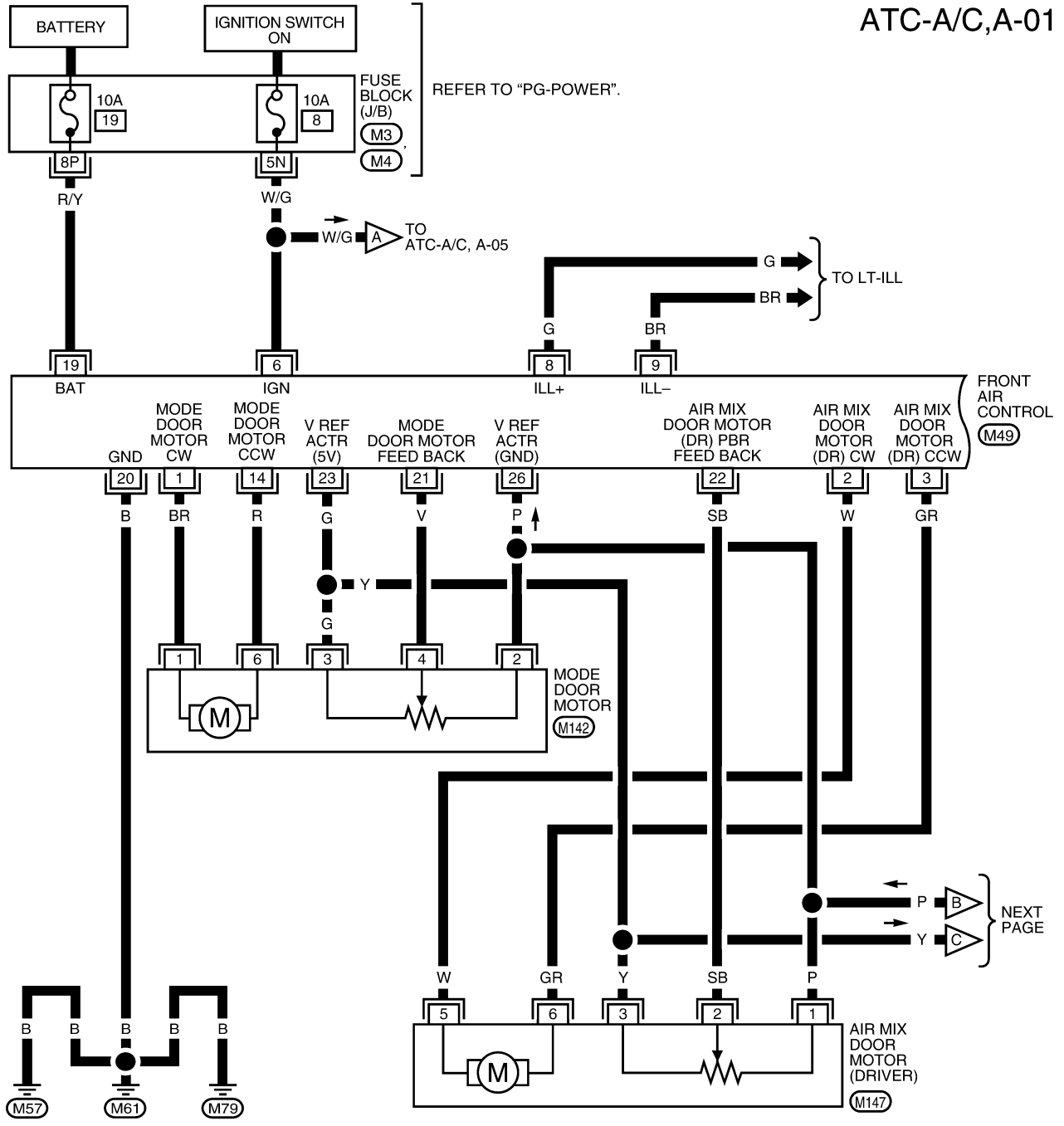
A
B
C
D
E
F
G
H
I
ATC
K
L
M

TROUBLE DIAGNOSIS

Wiring Diagram —A/C,A—

EJS002WX

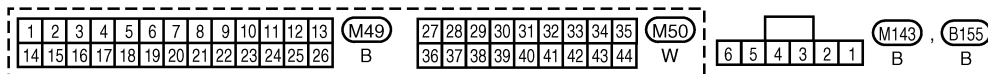
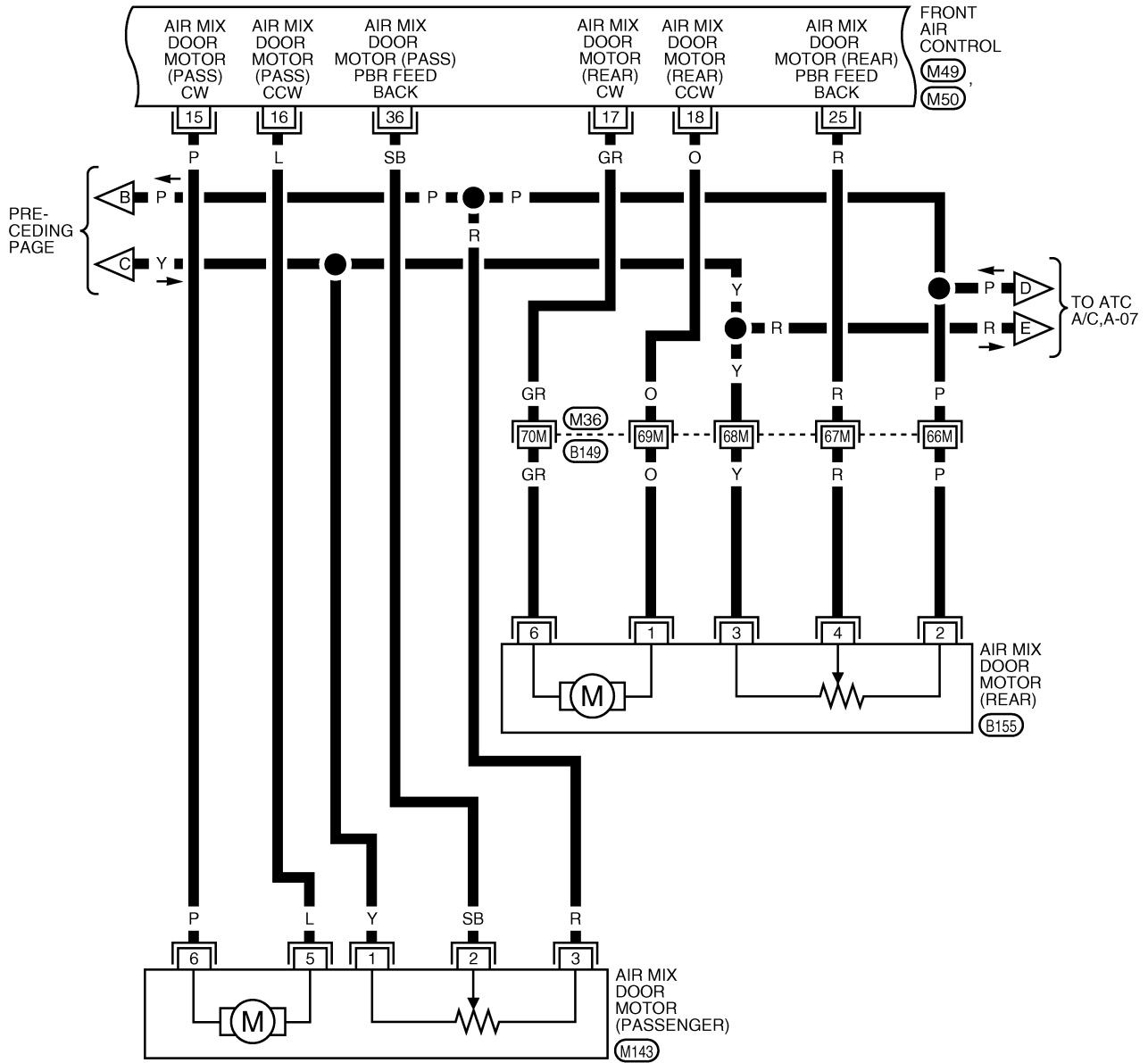
ATC-A/C,A-01



WJWA0316E

TROUBLE DIAGNOSIS

ATC-A/C,A-02



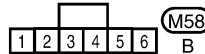
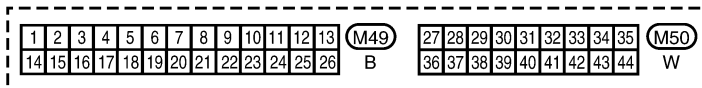
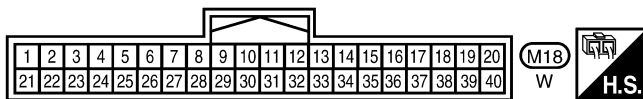
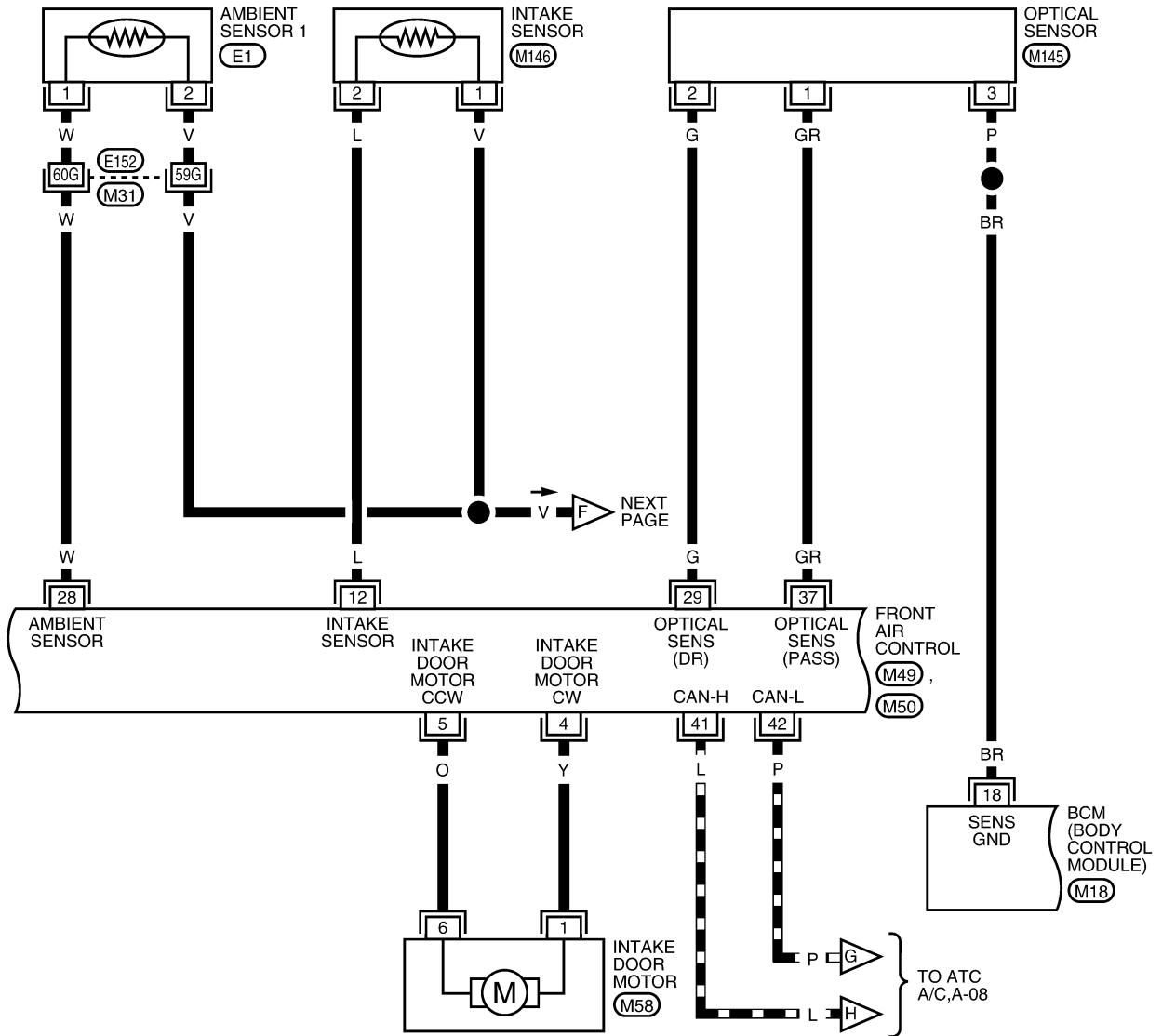
REFER TO THE FOLLOWING.
 M36 - SUPER MULTIPLE JUNCTION (SMJ)

WJWA0277E

TROUBLE DIAGNOSIS

ATC-A/C,A-03

— : DATA LINE

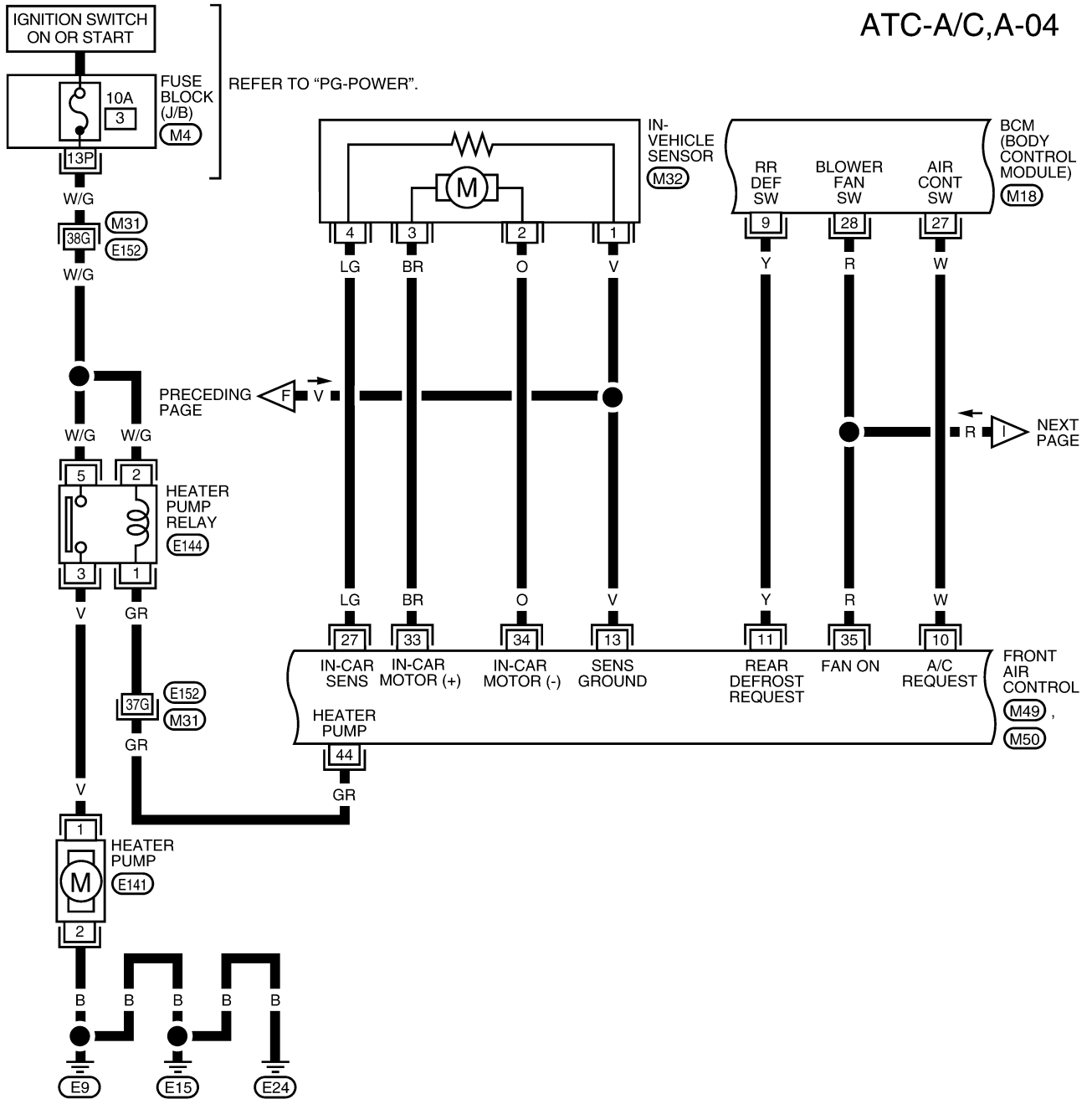


REFER TO THE FOLLOWING.
 (M31) - SUPER MULTIPLE JUNCTION (SMJ)

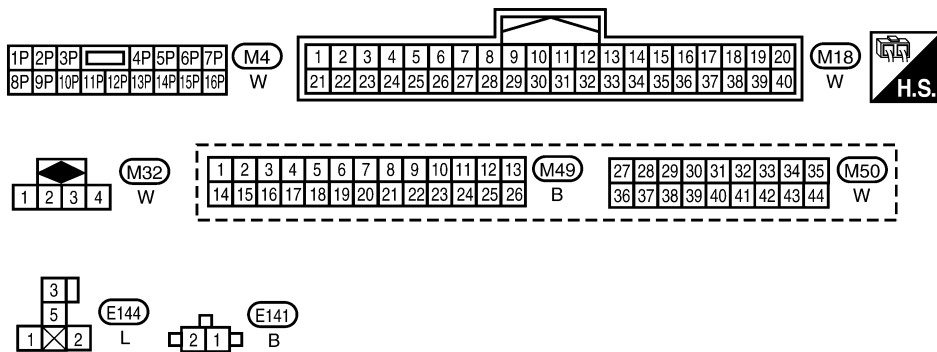
WJWA0190E

TROUBLE DIAGNOSIS

ATC-A/C,A-04



A
B
C
D
E
F
G
H
I
ATC
K
L
M

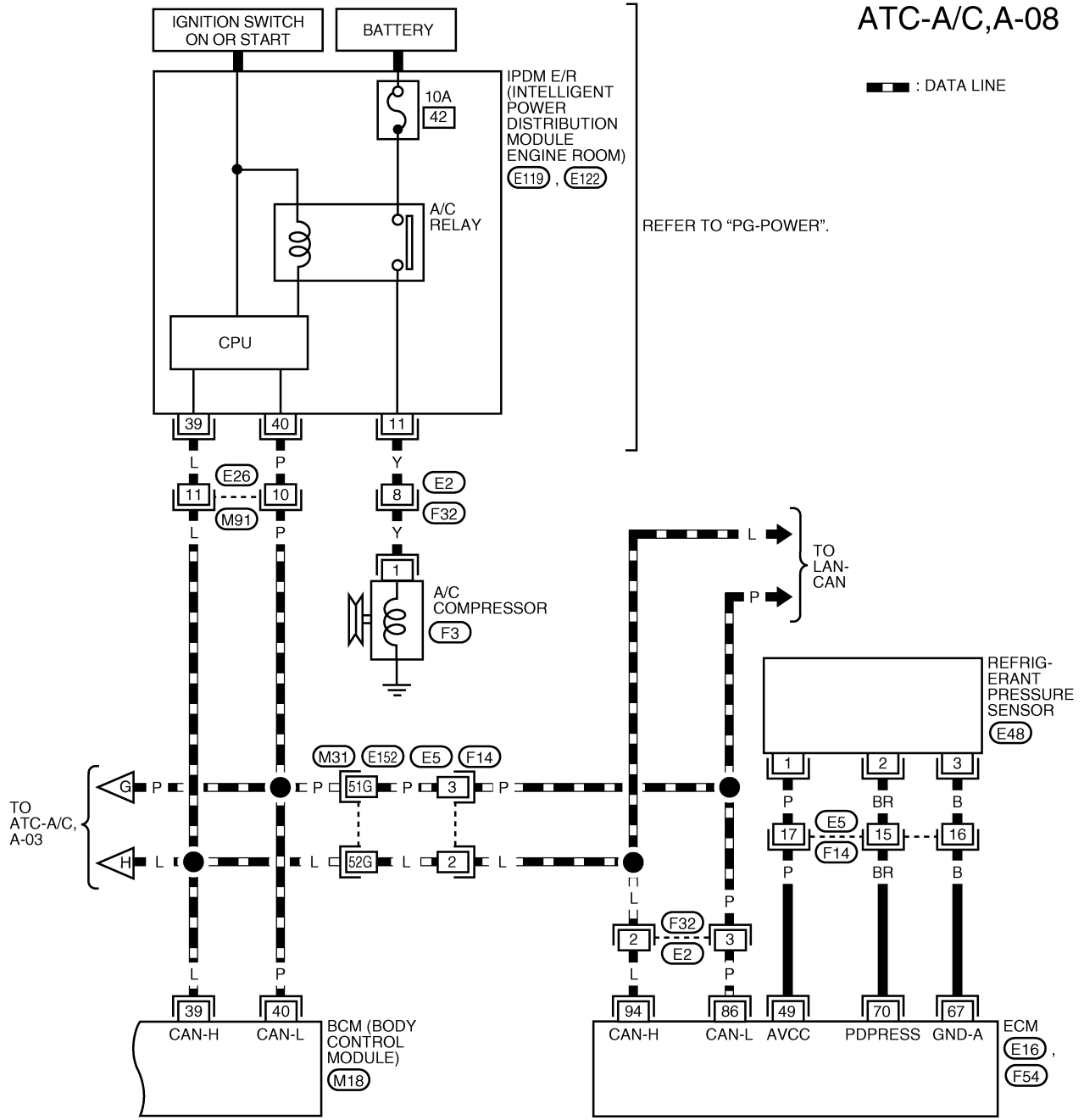


REFER TO THE FOLLOWING.
 (M31) - SUPER MULTIPLE JUNCTION (SMJ)

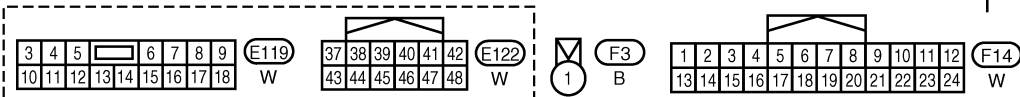
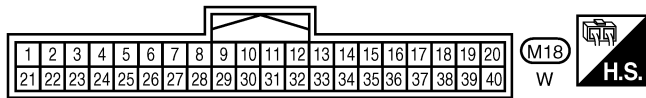
WJWA0191E

TROUBLE DIAGNOSIS

ATC-A/C,A-08



A
B
C
D
E
F
G
H
I
ATC
K
L
M



REFER TO THE FOLLOWING.
(E16, F54) - ELECTRICAL UNITS
(M31) - SUPER MULTIPLE JUCTION (SMJ)

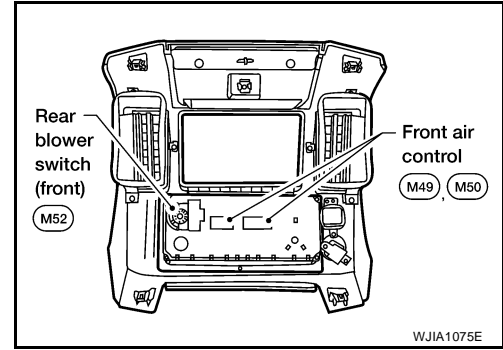
WJWA0195E

TROUBLE DIAGNOSIS

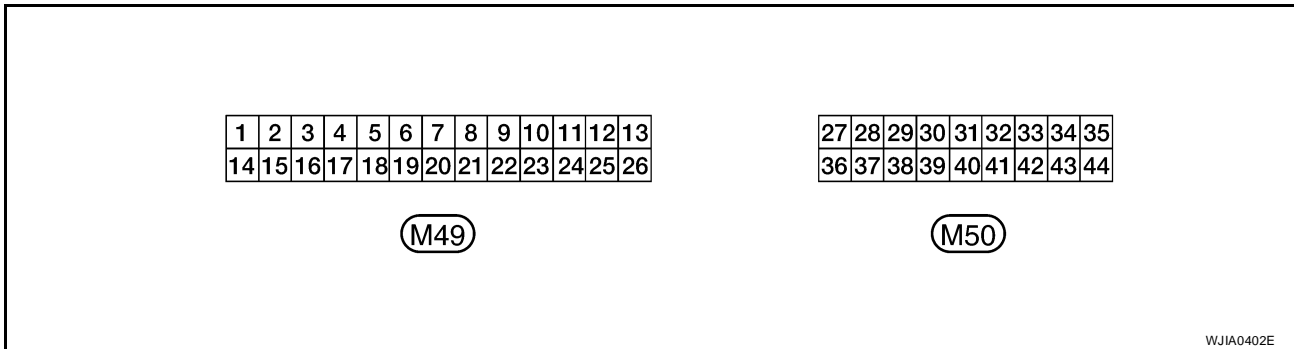
EJS002WY

Front Air Control Terminals and Reference Value

Measure voltage between each terminal and ground by following Terminals and Reference Value for front air control.



PIN CONNECTOR TERMINAL LAYOUT



TERMINALS AND REFERENCE VALUE FOR FRONT AIR CONTROL

Terminal No.	Wire color	Item	Ignition switch	Condition	Voltage (V) (Approx.)
1	BR	Mode door motor CW	ON	Clockwise rotation	Battery voltage
2	W	Air mix door motor (Driver) CW	ON	Clockwise rotation	Battery voltage
3	GR	Air mix door motor (Driver) CCW	ON	Counterclockwise rotation	Battery voltage
4	Y	Intake door motor CW	ON	Counterclockwise rotation	Battery voltage
5	O	Intake door motor CCW	ON	Clockwise rotation	Battery voltage
6	W/G	Power supply for IGN	ON	-	Battery voltage
8	G	Illumination +	ON	Park lamps ON	Battery voltage
9	BR	Illumination -	-	Park lamps ON	<p style="text-align: right;">PIIA2344E</p>
10	W	Compressor ON signal	ON	A/C switch OFF	5V
			ON	A/C switch ON	0V
11	Y	Rear defrost request	ON	-	Battery voltage
12	L	Intake sensor	ON	-	0 - 5V
13	V	Sensor ground	ON	-	0 - 5V
14	R	Mode door motor CCW	ON	Counterclockwise rotation	Battery voltage
15	P	Air mix door motor (Passenger) CW	ON	Clockwise rotation	Battery voltage
16	L	Air mix door motor (Passenger) CCW	ON	Counter clockwise rotation	Battery voltage
17	GR	Air mix door motor (Rear) CW	ON	Clockwise rotation	Battery voltage
18	O	Air mix door motor (Rear) CCW	ON	Counterclockwise rotation	Battery voltage

TROUBLE DIAGNOSIS

Terminal No.	Wire color	Item	Ignition switch	Condition	Voltage (V) (Approx.)	
19	R/Y	Power supply for BAT	-	-	Battery voltage	A
20	B	Ground	-	-	0V	
21	V	Mode door motor feedback	ON	-	0 - 5V	B
22	SB	Air mix door motor (Driver) feedback	ON	-	0 - 5V	
23	G	Power supply for mode door motor PBR	ON	-	5V	C
24	L/G	Air mix door motor (Rear) PTC	ON	-	0 - 5V	
25	R	Air mix door motor (Rear) feedback	ON	-	0 - 5V	D
26	P	Ground for mode door motor PBR	ON	-	0V	
27	LG	In-vehicle sensor signal	ON	-	0 - 5V	
28	W	Ambient sensor 1	ON	-	0 - 5V	E
29	G	Optical sensor (Driver)	ON	-	0 - 5V	
30	Y	Rear select signal	ON	-	0V - Battery voltage	F
32	V	Variable blower control	ON	-	0 - 5V	
33	BR	In-vehicle sensor motor (+)	ON	-	Battery voltage	G
34	O	In-vehicle sensor motor (-)	ON	-	0V	
35	R	Fan ON signal	ON	Blower switch OFF	5V	
			ON	Blower switch ON	0V	H
36	SB	Air mix door motor (Passenger) feedback	ON	-	0 - 5V	
37	GR	Optical sensor (Passenger)	ON	-	0 - 5V	I
38	BR	Front blower request	ON	Front blower motor OFF	Battery voltage	
				Front blower motor ON	0V	ATC
39	O	Rear blower request	ON	Front blower motor OFF	Battery voltage	
				Front blower motor ON	0V	
41	L	CAN-H	ON	-	0 - 5V	K
42	P	CAN-L	ON	-	0 - 5V	
44	GR	Heater pump request	ON	Heater pump on	0V	
				Heater pump off	Battery voltage	L

TROUBLE DIAGNOSIS

EJS002WZ

A/C System Self-diagnosis Function (With NAVI) DESCRIPTION

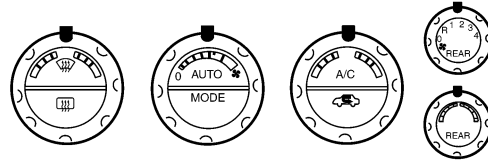
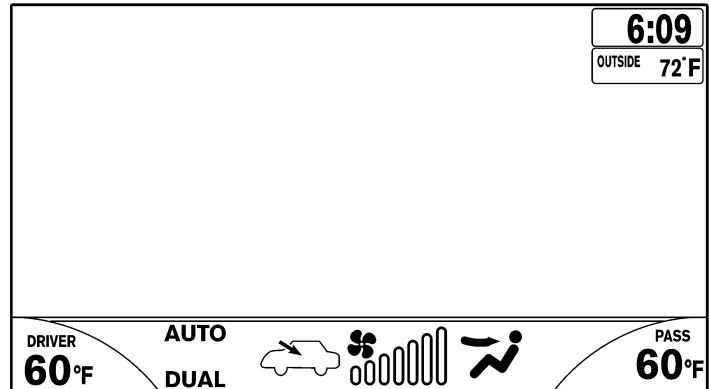
The self-diagnostic system diagnoses sensors, door motors, blower motor, etc. Refer to applicable sections (items) for details. Shifting from usual control to the self-diagnostic system is accomplished by turning the ignition switch ON and pressing the down blower arrow switch while turning the passenger temperature dial in either direction (hold momentarily). Within 3 seconds of doing this, press the AUTO switch. The blower bars will flash and the ambient temperature display will indicate 0° during the self-diagnosis. Fault codes (if any are present) will be displayed in the ambient temperature display area. Refer to [ATC-51, "SELF-DIAGNOSIS CODE CHART"](#).

Ignition must be ON to run self test.
Self test must be run at an ambient of at least 10°C(50°F).

Self Test Via AV Switch w/navi Unit (color display)

Note: Radio must be OFF.

1. On the AV switch, hold the PAUSE/MUTE button and twist the audio "POWER/VOLUME" knob until the Self Diagnostic screen shows on the display.
2. Scroll down and select "Confirmation/Adjustment" with the joystick.
3. Scroll over and select the "Auto Climate Control" with the joystick to start the self-test.
4. The fan bars will flash on the display during the self-test, and then the fault codes will display in the ambient temperature area. They will continue scrolling until diagnostic mode is exited.
5. Exit by pressing the "PREV" button on AV switch until display returns to its normal operation screen. HVAC system will be OFF.



WJIA2009E

TROUBLE DIAGNOSIS

SELF-DIAGNOSIS CODE CHART

Code No.	Description	Reference page
02	EE changed by calibration (EE/ROM malfunction)	ATC-127. "FRONT AIR CONTROL"
12	Air mix door motor (Driver) circuit malfunction	ATC-65. "DIAGNOSTIC PROCEDURE FOR AIR MIX DOOR MOTOR (DRIVER)"
22	Air mix door motor (Passenger) circuit malfunction	ATC-67. "DIAGNOSTIC PROCEDURE FOR AIR MIX DOOR MOTOR (PASSENGER)"
30	In-vehicle sensor circuit out of range (short)	ATC-120. "In-vehicle Sensor Circuit"
31	In-vehicle sensor circuit out of range (open)	
38	Air mix door motor (rear) circuit malfunction	ATC-69. "DIAGNOSTIC PROCEDURE FOR AIR MIX DOOR MOTOR (REAR)"
40	Ambient sensor 1 circuit short	ATC-117. "Ambient Sensor 1 Circuit"
41	Ambient sensor 1 circuit open	
50	Optical sensor (Passenger) circuit open or short	ATC-123. "Optical Sensor Circuit"
52	Optical sensor (Driver) circuit open or short	
56	Intake sensor circuit short	ATC-125. "Intake Sensor Circuit"
57	Intake sensor circuit open	
80	CAN bus fault	LAN-24. "CAN COMMUNICATION"
81	BCM CAN message missing	
82	Intake door motor circuit malfunction	ATC-74. "DIAGNOSTIC PROCEDURE FOR INTAKE DOOR MOTOR"
92	Mode door motor circuit malfunction	ATC-58. "Mode Door Motor Circuit"

A
B
C
D
E
F
G
H
I
K
L
M

ATC

TROUBLE DIAGNOSIS

EJS002X0

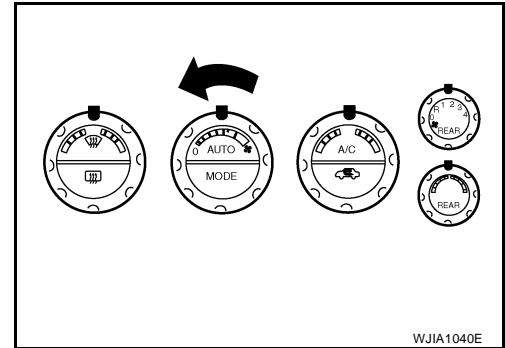
Operational Check (Front)

The purpose of the operational check is to confirm that the system operates properly.

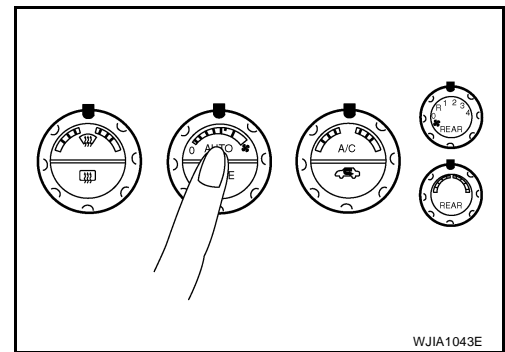
Conditions : Engine running and at normal operating temperature

CHECKING MEMORY FUNCTION

1. Set the temperature to 32°C (90°F).
2. Turn front blower control dial counterclockwise until system shuts OFF.
3. Turn ignition switch OFF.
4. Turn ignition switch ON.



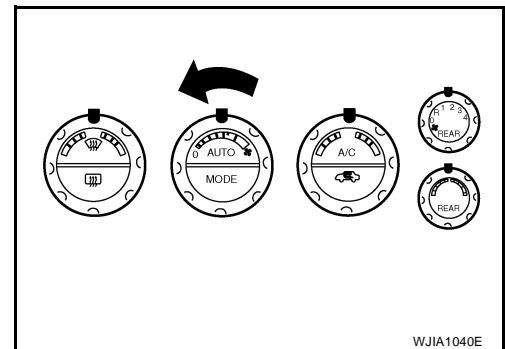
5. Press the AUTO switch.
6. Confirm that the set temperature remains at previous temperature.



7. Turn front blower control dial counterclockwise until system shuts OFF.

If NG, go to trouble diagnosis procedure for [ATC-116, "Memory Function"](#).

If OK, continue with next check.

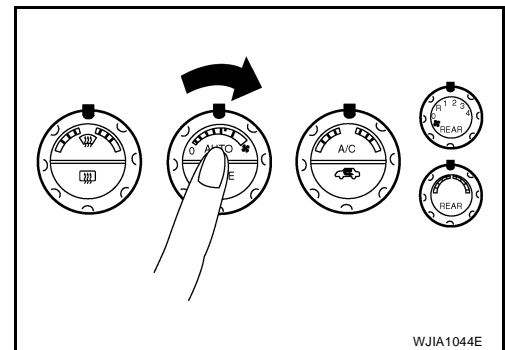


CHECKING BLOWER

1. Press the AUTO switch. Blower should operate on low speed. The blower symbol should have one blade lit on display.
2. Turn the front blower control dial again, and continue checking blower speed and blower symbol until all speeds are checked.
3. Leave blower on MAX speed.

If NG, go to trouble diagnosis procedure for [ATC-77, "DIAGNOSTIC PROCEDURE FOR BLOWER MOTOR"](#).

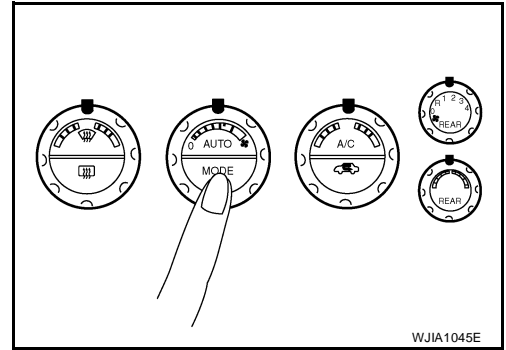
If OK, continue with next check.



TROUBLE DIAGNOSIS

CHECKING DISCHARGE AIR

1. Press MODE switch four times and the DEF switch.
2. Each position indicator should change shape on display.



3. Confirm that discharge air comes out according to the air distribution table. Refer to [ATC-29, "Discharge Air Flow"](#).

Mode door position is checked in the next step.

If NG, go to trouble diagnosis procedure for [ATC-59, "Mode Door Motor Circuit"](#).

If OK, continue the check.

NOTE:

Confirm that the compressor clutch is engaged (sound or visual inspection) and intake door position is at fresh when the DEF or D/F is selected.

Discharge air flow

Mode door position	Air outlet/distribution		
	Vent	Foot	Defroster
	100%	0%	—
	60%	40%	—
	18%	64%	18%
	14%	64%	33%
	—	13%	83%

Airflow always present at driver and passenger side demisters

CHECKING RECIRCULATION

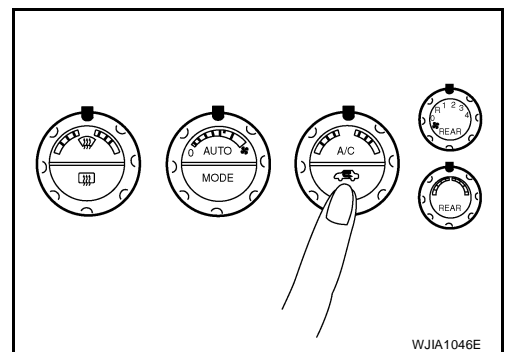
1. Press recirculation () switch one time. Recirculation indicator should illuminate.
2. Press recirculation () switch one more time. Recirculation indicator should go off.
3. Listen for intake door position change (blower sound should change slightly).

If NG, go to trouble diagnosis procedure for [ATC-72, "Intake Door Motor Circuit"](#).

If OK, continue next check.

NOTE:

Confirm that the compressor clutch is engaged (sound or visual inspection) and intake door position is at fresh when the DEF or D/F is selected.



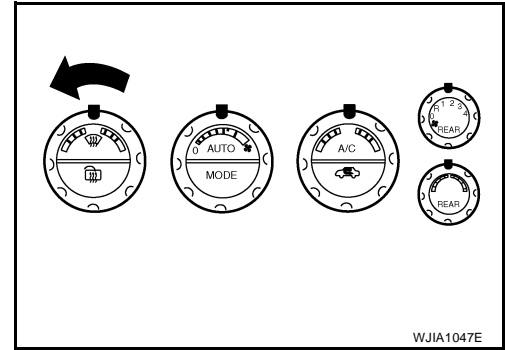
TROUBLE DIAGNOSIS

CHECKING TEMPERATURE DECREASE

1. Rotate temperature control dial (driver side) counterclockwise until 16°C (60°F) is displayed.
2. Check for cold air at appropriate discharge air outlets.

If NG, listen for sound of air mix door motor operation. If OK, go to trouble diagnosis procedure for [ATC-102, "Insufficient Cooling"](#) . If air mix door motor appears to be malfunctioning, go to [ATC-65, "DIAGNOSTIC PROCEDURE FOR AIR MIX DOOR MOTOR \(DRIVER\)"](#) or [ATC-67, "DIAGNOSTIC PROCEDURE FOR AIR MIX DOOR MOTOR \(PASSENGER\)"](#) .

If OK, continue the check.



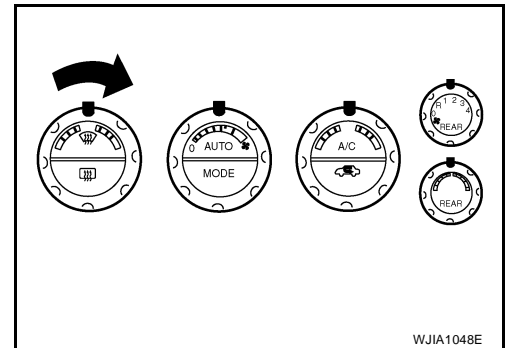
WJIA1047E

CHECKING TEMPERATURE INCREASE

1. Rotate temperature control dial clockwise (driver side) until 32°C (90°F) is displayed.
2. Check for hot air at appropriate discharge air outlets.

If NG, listen for sound of air mix door motor operation. If OK, go to trouble diagnosis procedure for [ATC-109, "Insufficient Heating"](#) . If air mix door motor appears to be malfunctioning, go to [ATC-65, "DIAGNOSTIC PROCEDURE FOR AIR MIX DOOR MOTOR \(DRIVER\)"](#) or [ATC-67, "DIAGNOSTIC PROCEDURE FOR AIR MIX DOOR MOTOR \(PASSENGER\)"](#) .

If OK, continue with next check.



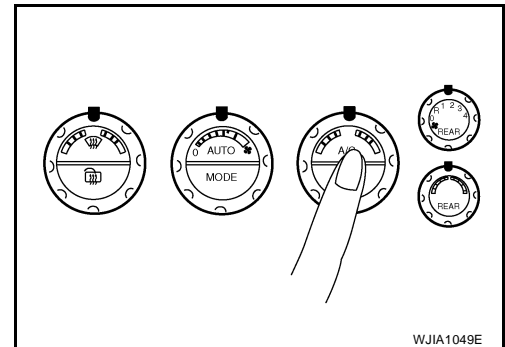
WJIA1048E

CHECK A/C SWITCH

1. Press A/C switch when AUTO switch is ON, or in manual mode.
2. A/C switch indicator will turn ON.
 - Confirm that the compressor clutch engages (sound or visual inspection).

If NG, go to trouble diagnosis procedure for [ATC-96, "Magnet Clutch Circuit"](#) .

If OK, continue with next check.



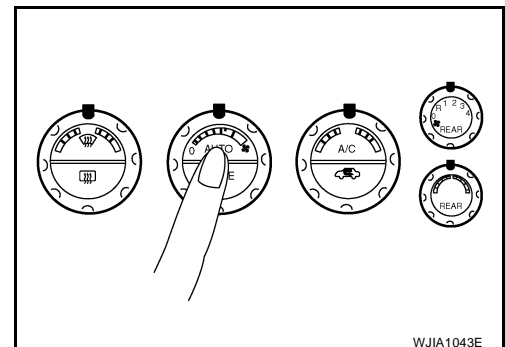
WJIA1049E

CHECKING AUTO MODE

1. Press AUTO switch.
2. Display should indicate AUTO.
 - If ambient temperature is warm, and selected temperature is cool, confirm that the compressor clutch engages (sound or visual inspection). (Discharge air and blower speed will depend on ambient, in-vehicle, and set temperatures.)

If NG, go to trouble diagnosis procedure for [ATC-56, "Power Supply and Ground Circuit for Front Air Control"](#) , then if necessary, trouble diagnosis procedure for [ATC-96, "Magnet Clutch Circuit"](#) .

If all operational checks are OK (symptom cannot be duplicated), go to malfunction simulation tests in [ATC-35, "How to Perform Trouble Diagnosis for Quick and Accurate Repair"](#) and perform tests as outlined to simulate driving conditions environment. If symptom appears, refer to [ATC-35, "How to Perform Trouble Diagnosis for Quick and Accurate Repair"](#) , [ATC-35, "SYMPTOM TABLE"](#) and perform applicable trouble diagnosis procedures.



WJIA1043E

TROUBLE DIAGNOSIS

EJS002X1

Operational Check (Rear)

The purpose of the operational check is to confirm that the system operates properly.

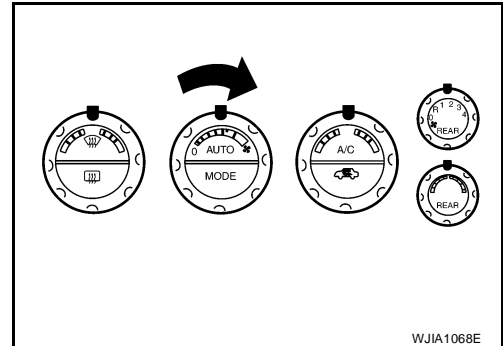
Conditions : Engine running and at normal operating temperature

CHECKING BLOWER

1. Turn the rear blower control dial counterclockwise to switch position "1". Fan should operate on low speed.
2. Turn the rear blower control dial clockwise to switch positions "2", "3", and "4" until all speeds are checked.
3. Leave fan on MAX speed.

If NG, go to trouble diagnosis procedure for [ATC-82, "Rear Blower Motor Circuit"](#) .

If OK, continue the check.



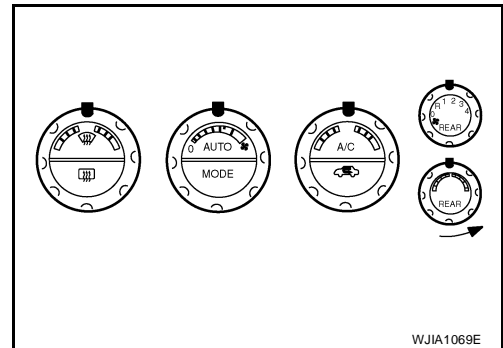
WJIA1068E

CHECKING TEMPERATURE DECREASE

1. Rotate temperature and mode dial fully counterclockwise.
2. Check for cold air at appropriate discharge air outlets.

If NG, listen for sound of air mix door motor operation. If OK, go to trouble diagnosis procedure for [ATC-102, "Insufficient Cooling"](#) . If air mix door motor appears to be malfunctioning, go to [ATC-69, "DIAGNOSTIC PROCEDURE FOR AIR MIX DOOR MOTOR \(REAR\)"](#) .

If OK, continue the check.



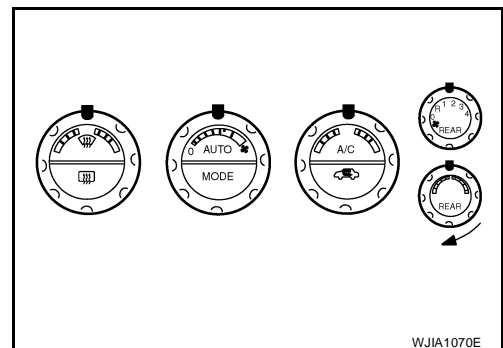
WJIA1069E

CHECKING TEMPERATURE INCREASE

1. Rotate temperature and mode dial clockwise.
2. Check for hot air at appropriate discharge air outlets.

If NG, listen for sound of air mix door motor operation. If OK, go to trouble diagnosis procedure for [ATC-109, "Insufficient Heating"](#) . If air mix door motor appears to be malfunctioning, go to [ATC-69, "DIAGNOSTIC PROCEDURE FOR AIR MIX DOOR MOTOR \(REAR\)"](#) .

If OK, continue the check.



WJIA1070E

A
B
C
D
E
F
G
H
I
K
L
M

ATC

TROUBLE DIAGNOSIS

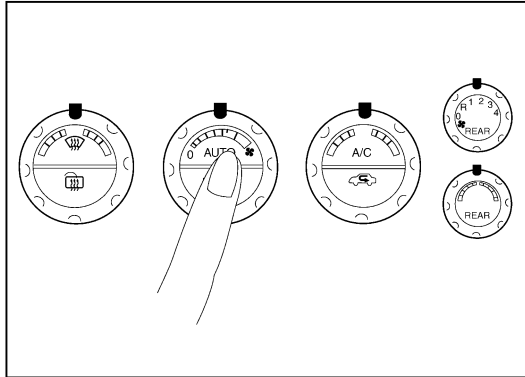
EJS002X2

Power Supply and Ground Circuit for Front Air Control

SYMPTOM: A/C system does not come on.

INSPECTION FLOW

1. Confirm symptom by performing the following operational check.



OPERATIONAL CHECK – AUTO mode

- Press AUTO switch.
- Display should indicate AUTO.
Confirm that the compressor clutch engages (Sound or visual inspection).
(Discharge air and blower speed will depend on ambient, in-vehicle and set temperatures.)

If OK (symptom cannot be duplicated), perform complete operational check (*2).
If NG (symptom is confirmed), continue with STEP-2 following.

2. Check for any service bulletins.

3. Check Main Power Supply and Ground Circuit. (*1)

4. Replace front air control.

*1 [ATC-56, "Power Supply and Ground Circuit for Front Air Control"](#).

*2 [ATC-52, "Operational Check \(Front\)"](#) or [ATC-55, "Operational Check \(Rear\)"](#).

WJIA1439E

TROUBLE DIAGNOSIS

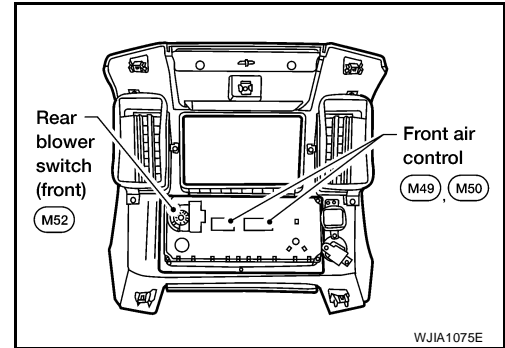
COMPONENT DESCRIPTION

Front Air Control

The front air control has a built-in microcomputer which processes information sent from various sensors needed for air conditioner operation. The air mix door motors, mode door motor, intake door motor, blower motor and compressor are then controlled.

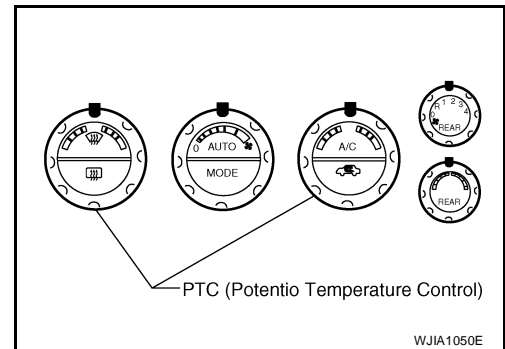
The front air control is unitized with control mechanisms. When the various switches and temperature dials are operated, data is input to the front air control.

Self-diagnostic functions are also built into the front air control to provide quick check of malfunctions in the auto air conditioner system.



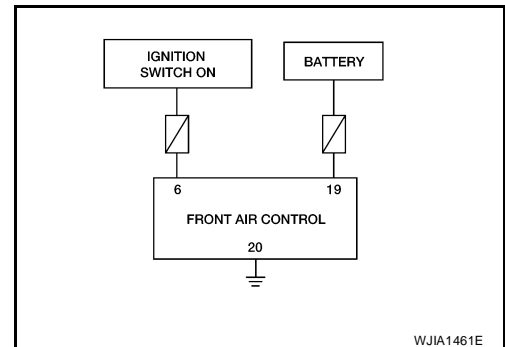
Potential Temperature Control (PTC)

There are two PTCs (passenger and driver) built into the front air control. They can be set at an interval of 0.5°C (1.0°F) in the 16°C (60°F) to 32°C (90°F) temperature range by rotating the temperature dial. The set temperature is displayed.



DIAGNOSTIC PROCEDURE FOR A/C SYSTEM

SYMPTOM: A/C system does not come on.



A
B
C
D
E
F
G
H
I
K
L
M

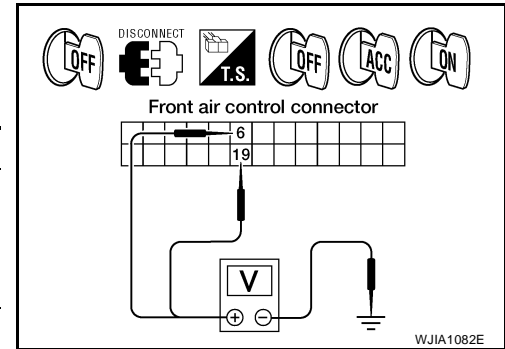
ATC

TROUBLE DIAGNOSIS

1. CHECK POWER SUPPLY CIRCUITS FOR FRONT AIR CONTROL

1. Disconnect front air control connector.
2. Check voltage between front air control harness connector M49 terminals 6 and 19, and ground.

Terminals		Ignition switch position			
(+)		(-)	OFF	ACC	ON
Front air control connector	Terminal No.				
M49	6	Ground	Approx. 0V	Approx. 0V	Battery voltage
M49	19		Battery voltage	Battery voltage	Battery voltage



OK or NG

OK >> GO TO 2.

NG >> Check 10A fuses [Nos. 8 and 19, located in the fuse block (J/B)]. Refer to [PG-81](#).

- If fuses are OK, check harness for open circuit. Repair or replace as necessary.
- If fuses are NG, replace fuse and check harness for short circuit. Repair or replace as necessary.

2. CHECK GROUND CIRCUIT FOR FRONT AIR CONTROL

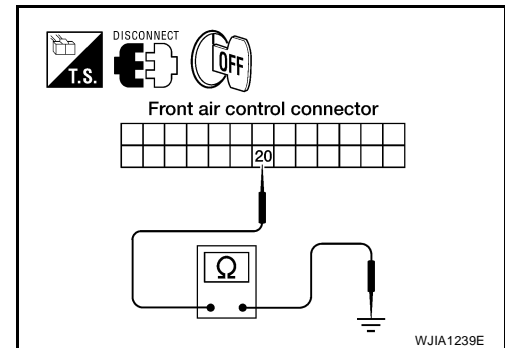
1. Turn ignition switch OFF.
2. Check continuity between front air control harness connector M49 terminal 20 and ground.

20 - Ground : Continuity should exist.

OK or NG

OK >> Replace front air control. Refer to [ATC-127, "FRONT AIR CONTROL"](#).

NG >> Repair harness or connector.



TROUBLE DIAGNOSIS

EJS002X3

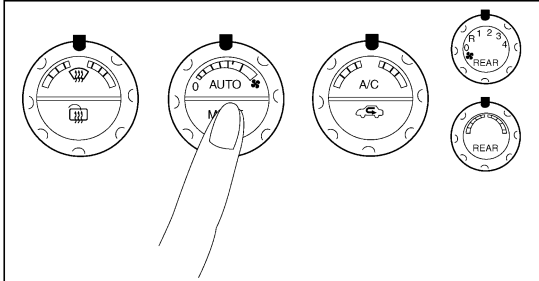
Mode Door Motor Circuit

SYMPTOM:

- Air outlet does not change.
- Mode door motor does not operate normally.

INSPECTION FLOW

1. Confirm symptom by performing the following operational check.



OPERATIONAL CHECK – Discharge air

- Press mode switch four times and DEF switch.
- Each position indicator should change shape. (on display)

Discharge air flow

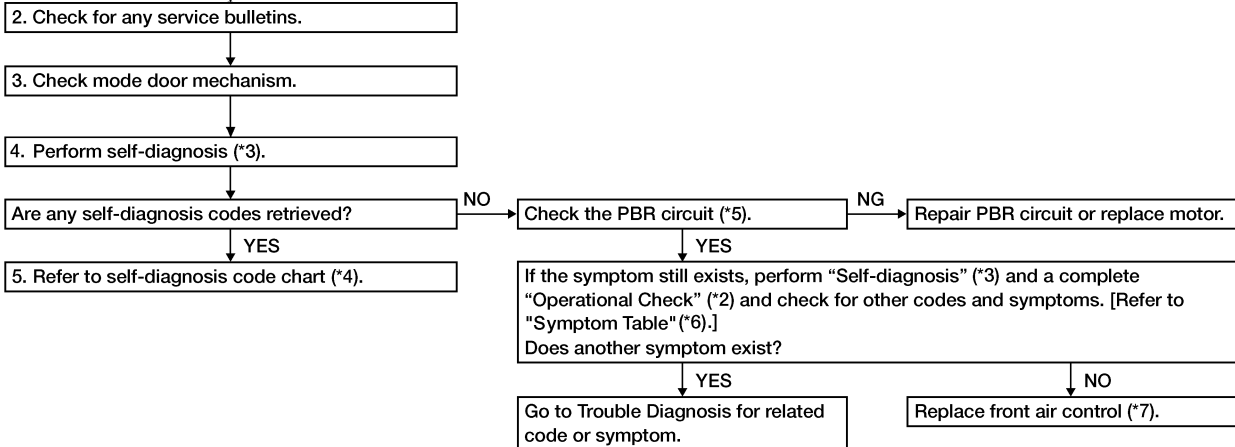
Mode door position	Air outlet/distribution		
	Vent	Foot	Defroster
	94%	6%	–
	60%	40%	–
	18%	64%	18%
	14%	53%	33%
	–	13%	87%

c. Confirm that discharge air comes out according to the air distribution table at left.

Refer to "Discharge Air Flow" (*1).

NOTE:

- If OK (symptom cannot be duplicated), perform complete operational check (*2).
- If NG (symptom is confirmed), continue with STEP-2 following.
- Confirm that the compressor clutch is engaged (visual inspection) and intake door position is at FRESH when DEF or D/F is selected.



WJIA2008E

*1 [ATC-29, "Discharge Air Flow"](#).

*2 [ATC-52, "Operational Check \(Front\)"](#).

*3 [ATC-50, "A/C System Self-diagnosis Function \(With NAVI\)"](#).

*4 [ATC-51, "SELF-DIAGNOSIS CODE CHART"](#).

*5 [ATC-61, "DIAGNOSTIC PROCEDURE FOR MODE DOOR MOTOR"](#).

*6 [ATC-35, "SYMPTOM TABLE"](#).

*7 [ATC-127, "FRONT AIR CONTROL"](#).

TROUBLE DIAGNOSIS

SYSTEM DESCRIPTION

Component Parts

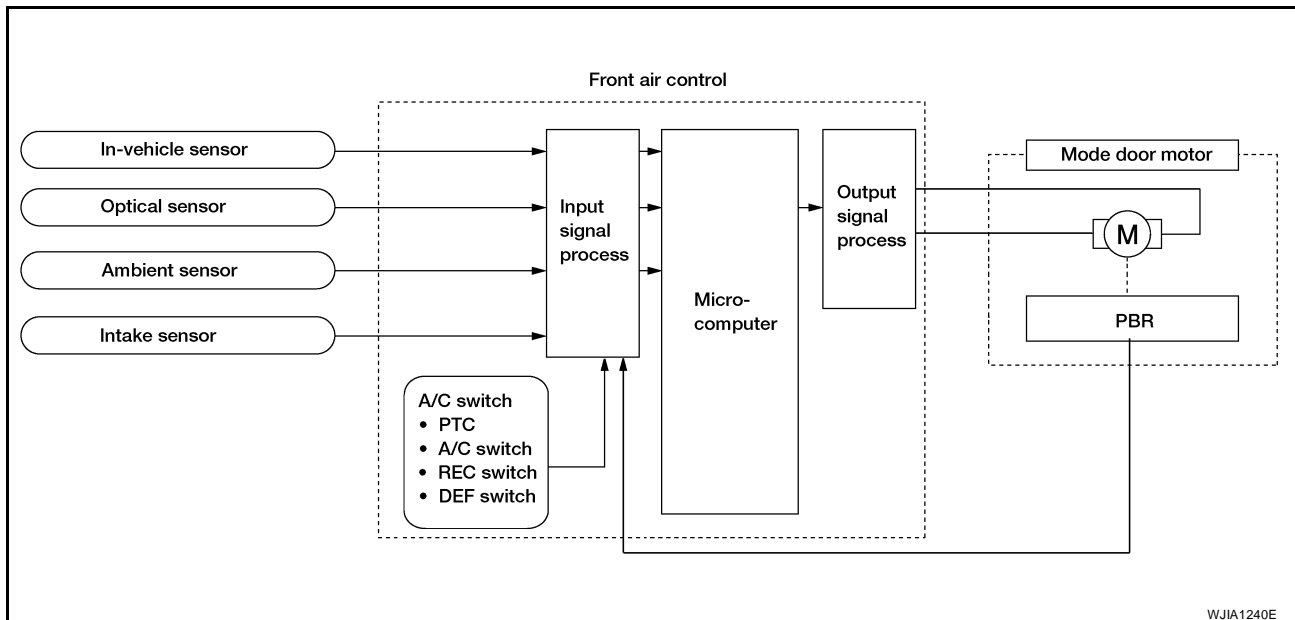
Mode door control system components are:

- Front air control
- Mode door motor
- PBR (built into mode door motor)
- In-vehicle sensor
- Ambient sensor
- Optical sensor
- Intake sensor

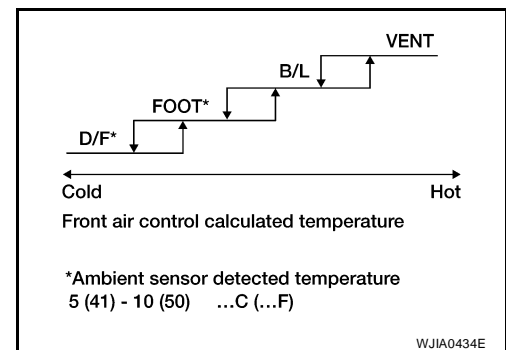
System Operation

The mode door position (vent, B/L, foot, and defrost) is set by the front air control by means of the mode door motor. When a mode door position is selected on the front air control, voltage is applied to one circuit of the mode door motor while ground is applied to the other circuit, causing the mode door motor to rotate. The direction of rotation is determined by which circuit has voltage applied to it, and which one has ground applied to it. The front air control monitors the mode door position by measuring the voltage signal on the PBR circuit.

In AUTO mode the mode door position is set by the front air control which determines the proper position based on inputs from the in-vehicle sensor, ambient sensor, optical sensor, intake sensor, and the temperature selected by the driver or passenger.



Mode Door Control Specification

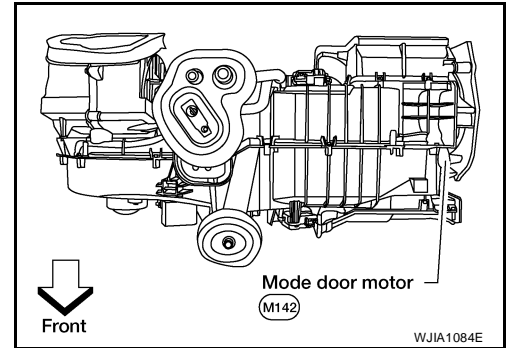


TROUBLE DIAGNOSIS

COMPONENT DESCRIPTION

Mode Door Motor

The mode door motor is attached to the heater & cooling unit. It rotates so that air is discharged from the outlet as indicated by the front air control. Motor rotation is conveyed to a link which activates the mode door.



DIAGNOSTIC PROCEDURE FOR MODE DOOR MOTOR

1. CHECK RESULT FROM FRONT AIR CONTROL SELF-DIAGNOSIS

Is self-diagnosis code 92 is present. Refer to [ATC-50, "A/C System Self-diagnosis Function \(With NAVI\)"](#).

NOTE:

Self-diagnosis are displayed only with models with navi.

YES or NO

YES >> GO TO 2.

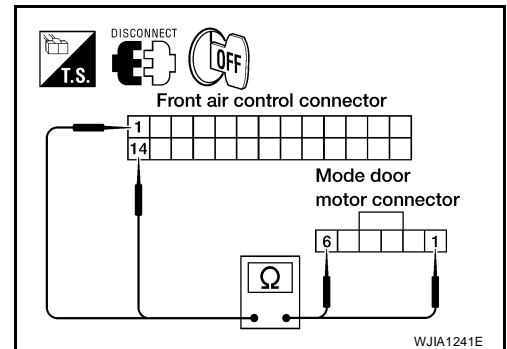
NO >> GO TO 3.

2. CHECK POWER SUPPLY AND GROUND CIRCUITS FOR MODE DOOR MOTOR

1. Turn ignition switch OFF.
2. Disconnect front air control connector and mode door motor connector.
3. Check continuity between front air control harness connector M49 terminal 1 and mode door motor harness connector M142 terminal 1 and between front air control harness connector M49 terminal 14 and mode door motor harness connector M142 terminal 6.

1 - 1 : Continuity should exist.

14 - 6 : Continuity should exist.



OK or NG

OK >> Replace mode door motor.

NG >> Repair or replace harness as necessary.

3. CHECK PBR REFERENCE SIGNAL VOLTAGE

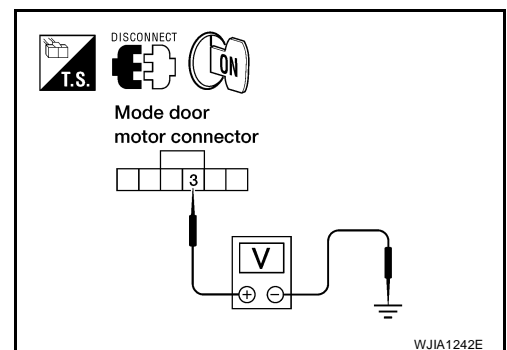
1. Turn ignition switch OFF.
2. Disconnect the mode door motor connector.
3. Turn ignition switch ON.
4. Check voltage between mode door motor harness connector M142 terminal 3 and ground.

3 - Ground : Approx. 5V

OK or NG

OK >> GO TO 5.

NG >> GO TO 4.



TROUBLE DIAGNOSIS

4. CHECK PBR REFERENCE VOLTAGE CIRCUIT BETWEEN MODE DOOR AND FRONT AIR CONTROL

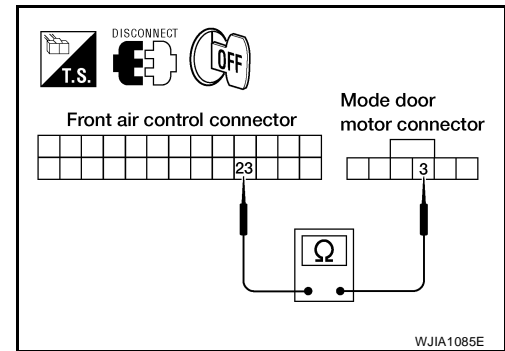
1. Turn ignition switch OFF.
2. Disconnect the front air control connector.
3. Check continuity between mode door motor harness connector M142 terminal 3 and front air control harness connector M49 terminal 23.

3 - 23 : Continuity should exist.

OK or NG

OK >> Replace front air control. Refer to [ATC-127, "FRONT AIR CONTROL"](#).

NG >> Repair or replace harness as necessary.



WJIA1085E

5. CHECK PBR GROUND REFERENCE CIRCUIT

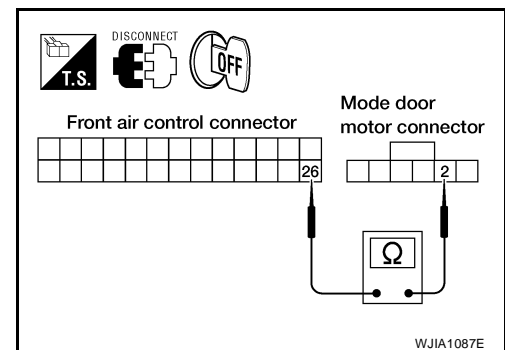
1. Turn ignition switch OFF.
2. Disconnect the front air control connector.
3. Check continuity between mode door motor harness connector M142 terminal 2 and front air control harness connector M49 terminal 26.

2 - 26 : Continuity should exist.

OK or NG

OK >> GO TO 6.

NG >> Repair or replace harness as necessary.



WJIA1087E

6. CHECK PBR FEEDBACK SIGNAL

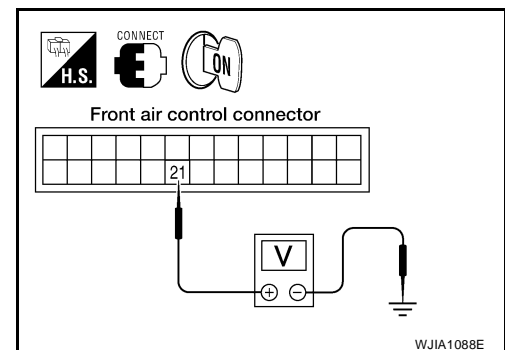
1. Reconnect the front air control connector and mode door motor connector.
2. Turn ignition switch ON.
3. Check voltage between front air control harness connector M49 terminal 21 and ground.
4. Press mode switch through all modes.

21 - Ground : Approx. 0 - 5V

OK or NG

OK >> Replace front air control. Refer to [ATC-127, "FRONT AIR CONTROL"](#).

NG >> GO TO 7.



WJIA1088E

7. CHECK PBR FEEDBACK CIRCUIT

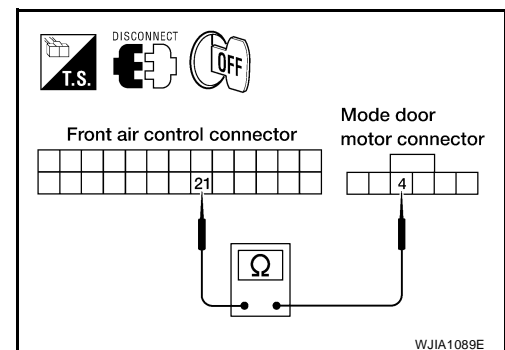
1. Turn ignition switch OFF.
2. Disconnect the mode door motor connector and front air control harness connector.
3. Check continuity between mode door motor harness connector M142 terminal 4 and front air control harness connector M49 terminal 21.

4 - 21 : Continuity should exist.

OK or NG

OK >> Replace mode door motor. Refer to [ATC-144, "MODE DOOR MOTOR"](#).

NG >> Repair or replace harness as necessary.



WJIA1089E

TROUBLE DIAGNOSIS

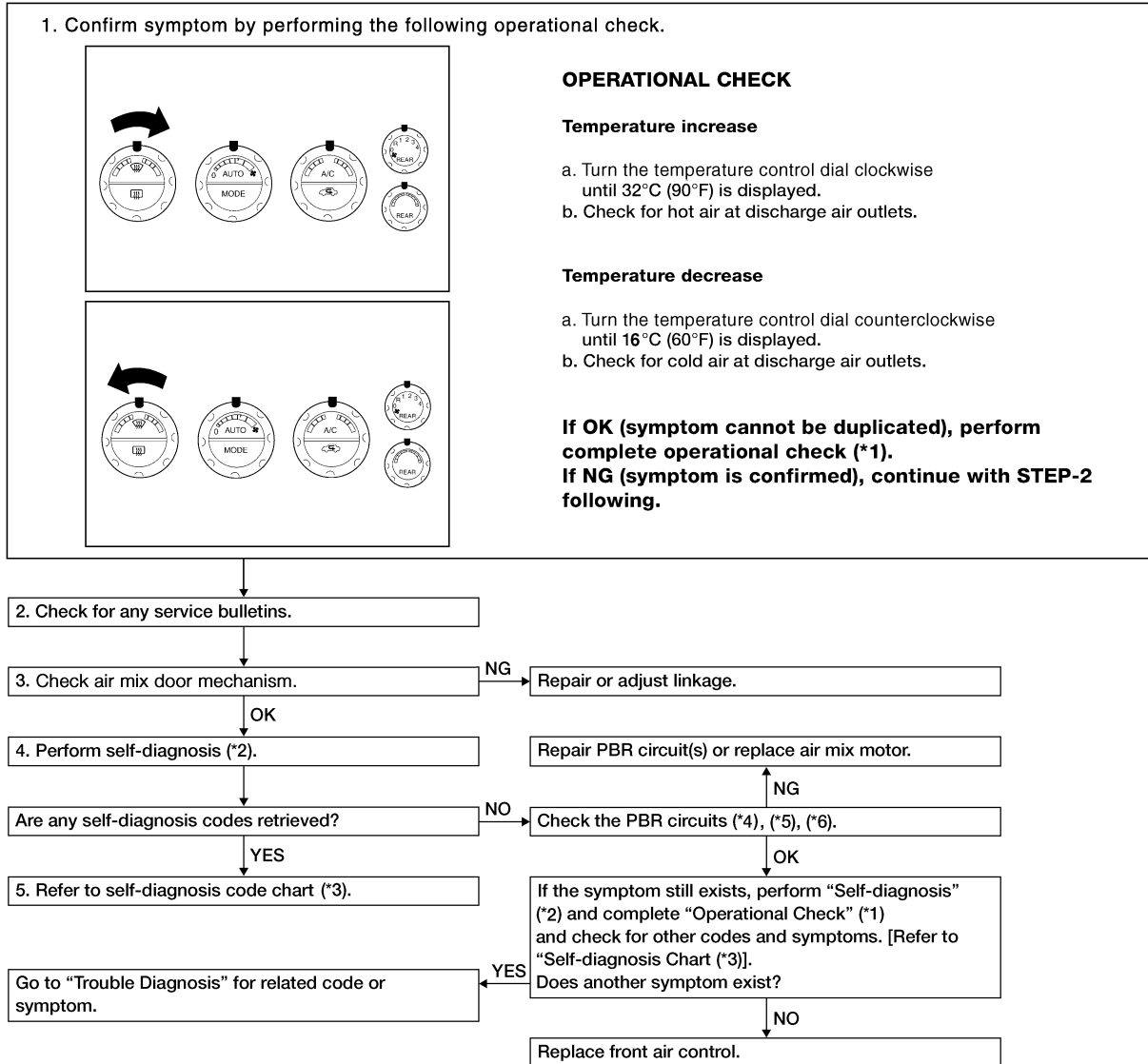
EJS002X4

Air Mix Door Motor Circuit

SYMPTOM:

- Discharge air temperature does not change.
- Air mix door motor does not operate.

INSPECTION FLOW



*1 [ATC-52, "Operational Check \(Front\)"](#) or [ATC-55, "Operational Check \(Rear\)"](#).

*4 [ATC-65, "DIAGNOSTIC PROCEDURE FOR AIR MIX DOOR MOTOR \(DRIVER\)"](#).

*2 [ATC-50, "A/C System Self-diagnosis Function \(With NAVI\)"](#).

*5 [ATC-67, "DIAGNOSTIC PROCEDURE FOR AIR MIX DOOR MOTOR \(PASSENGER\)"](#).

*3 [ATC-51, "SELF-DIAGNOSIS CODE CHART"](#).

*6 [ATC-69, "DIAGNOSTIC PROCEDURE FOR AIR MIX DOOR MOTOR \(REAR\)"](#).

WJIA1462E

TROUBLE DIAGNOSIS

SYSTEM DESCRIPTION

Component Parts

Air mix door control system components are:

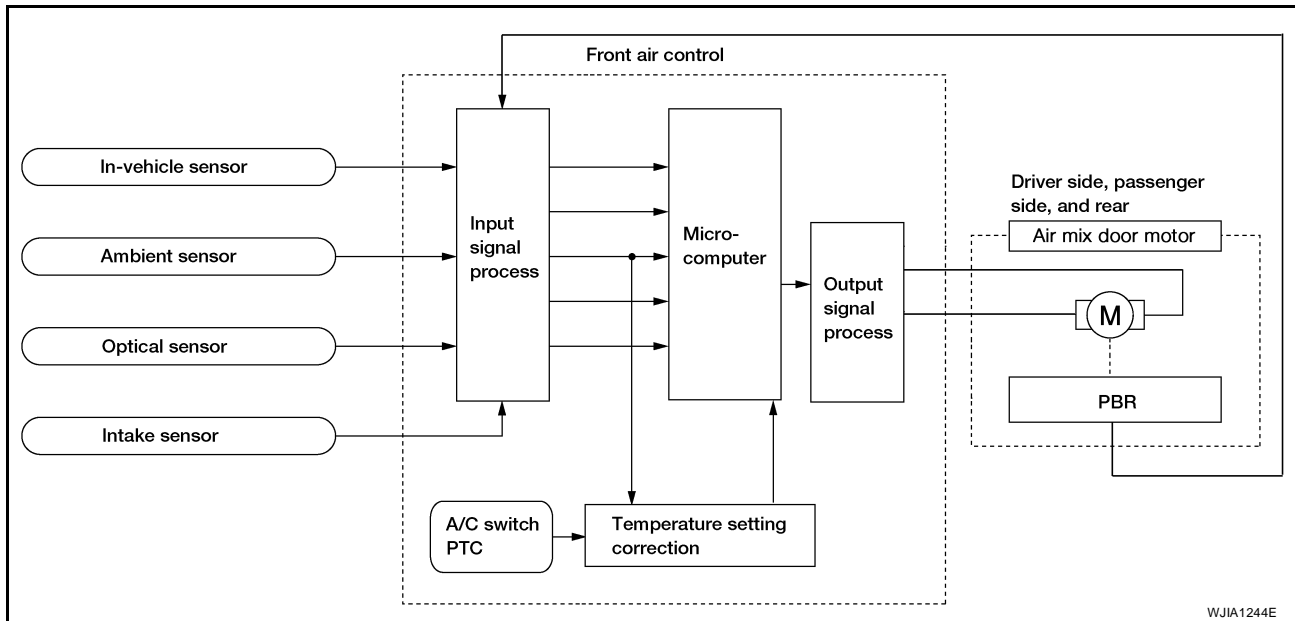
- Front air control.
- Air mix door motors (driver, passenger, and rear)
- PBR (built into air mix door motors)
- In-vehicle sensor
- Ambient sensor
- Optical sensor
- Intake sensor

System Operation

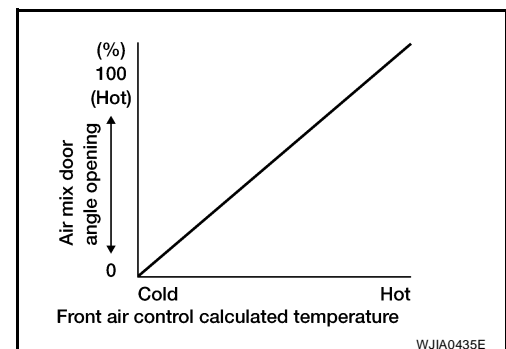
The front air control receives data from the temperature selected by the driver side, passenger side, and rear. The front air control then applies a voltage to one circuit of the appropriate air mix door motor, while ground is applied to the other circuit, causing the appropriate air mix door motor to rotate. The direction of rotation is determined by which circuit has voltage applied to it, and which one has ground applied to it. The front air control monitors the air mix door positions by measuring the voltage signal on the PBR circuits of each door.

In AUTO mode the air mix, intake, mode door, and defrost door positions are set by the front air control which determines the proper position based on inputs from the in-vehicle sensor, ambient sensor, optical sensor, intake sensor, and the temperature selected by the driver and front and rear passengers.

Subsequently, HOT/COLD or DEFROST/VENT or FRESH/RECIRCULATION operation is selected. The new door position data is returned to the front air control.



Air Mix Door Control Specification



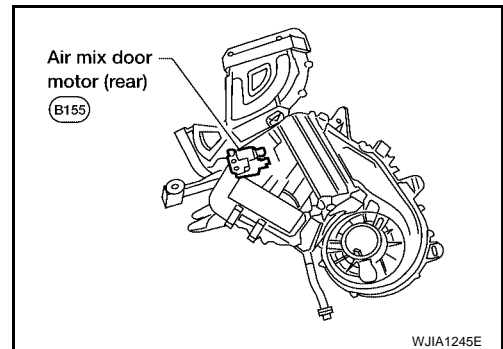
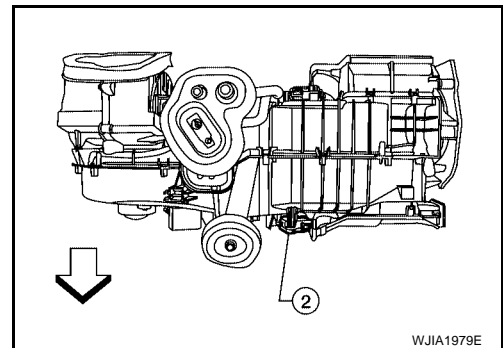
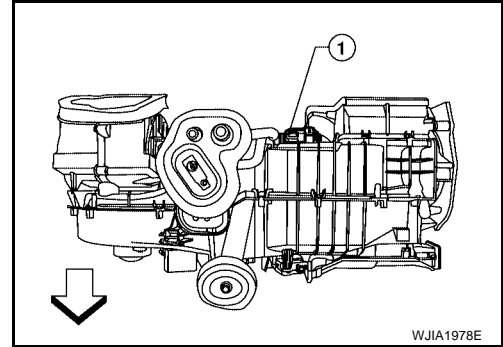
TROUBLE DIAGNOSIS

COMPONENT DESCRIPTION

Air Mix Door Motors

The air mix door motor (passenger) (1) and the air mix door motor (driver) (2) are attached to the front heater & cooling unit assembly. The air mix door motor (rear) is attached to the rear heater & cooling unit assembly. These motors rotate so that the air mix door is opened or closed to a position set by the front (or rear) air control. Motor rotation is then conveyed through a shaft and the air mix door position is then fed back to the front air control by the PBR built into the air mix door motors.

←: Front



DIAGNOSTIC PROCEDURE FOR AIR MIX DOOR MOTOR (DRIVER)

1. CHECK RESULT FROM FRONT AIR CONTROL SELF-DIAGNOSIS

Is self-diagnosis code 12 is present. Refer to [ATC-50, "A/C System Self-diagnosis Function"](#) .

YES or NO

YES >> GO TO 2.

NO >> GO TO 3.

A
B
C
D
E
F
G
H
I
ATC
K
L
M

TROUBLE DIAGNOSIS

2. CHECK POWER SUPPLY CIRCUITS FOR AIR MIX DOOR MOTOR (DRIVER)

1. Turn ignition switch OFF.
2. Disconnect front air control connector and air mix door motor (driver) connector.
3. Check continuity between front air control harness connector M49 terminal 2 and 3 and air mix door motor (driver) harness connector M147 terminal 5 and 6.

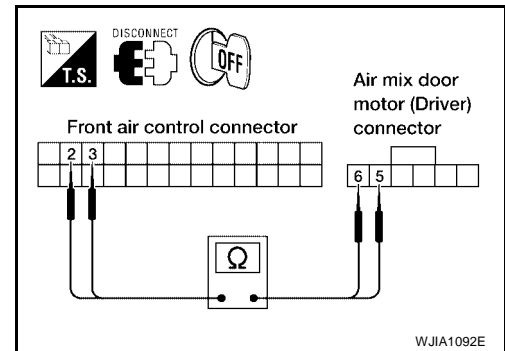
2 - 5 : Continuity should exist.

3 - 6 : Continuity should exist.

OK or NG

OK >> Replace air mix door motor (driver). Refer to [ATC-145](#), "[FRONT AIR MIX DOOR MOTOR \(DRIVER\)](#)".

NG >> Repair or replace harness as necessary.



3. CHECK PBR REFERENCE SIGNAL VOLTAGE

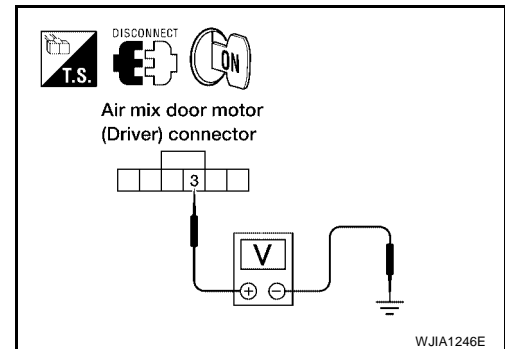
1. Turn ignition switch OFF.
2. Disconnect the air mix door motor (driver) connector.
3. Turn ignition switch ON.
4. Check voltage between air mix door motor (driver) harness connector M147 terminal 3 and ground.

3 - Ground : Approx. 5V

OK or NG

OK >> GO TO 5.

NG >> GO TO 4.



4. CHECK PBR REFERENCE VOLTAGE CIRCUIT BETWEEN AIR MIX DOOR MOTOR (DRIVER) AND FRONT AIR CONTROL

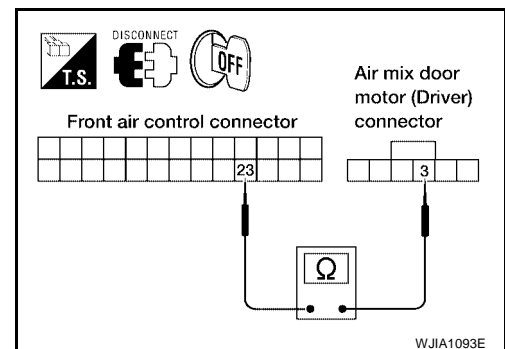
1. Turn ignition switch OFF.
2. Disconnect the front air control connector.
3. Check continuity between air mix door motor (driver) harness connector M147 terminal 3 and front air control harness connector M49 terminal 23.

3 - 23 : Continuity should exist.

OK or NG

OK >> Replace front air control. Refer to [ATC-127](#), "[FRONT AIR CONTROL](#)".

NG >> Repair or replace harness as necessary.



5. CHECK PBR GROUND REFERENCE CIRCUIT

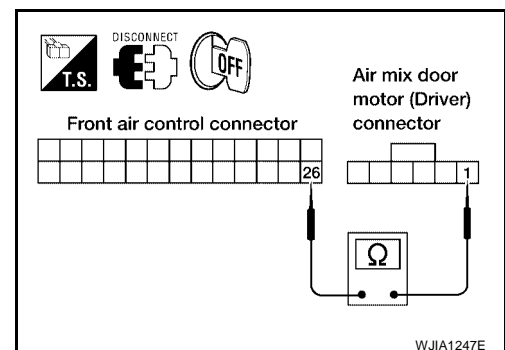
1. Turn ignition switch OFF.
2. Disconnect the front air control connector.
3. Check continuity between air mix door motor (driver) harness connector M147 terminal 1 and front air control harness connector M49 terminal 26.

1 - 26 : Continuity should exist.

OK or NG

OK >> GO TO 6.

NG >> Repair or replace harness as necessary.



TROUBLE DIAGNOSIS

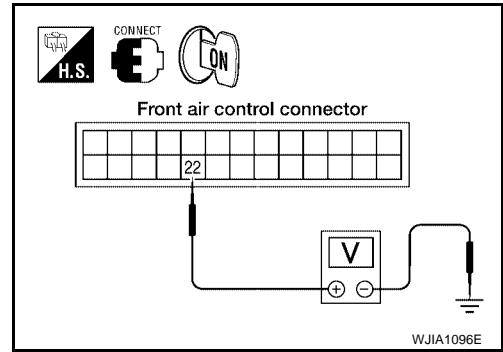
6. CHECK PBR FEEDBACK SIGNAL

1. Reconnect the front air control connector and air mix door motor (driver) connector.
2. Turn ignition switch ON.
3. Check voltage between front air control harness connector M49 terminal 22 and ground.
4. Rotate driver temperature control dial through complete range.

22 - Ground : Approx. 0V - 5V

OK or NG

- OK >> Replace front air control. Refer to [ATC-127, "FRONT AIR CONTROL"](#) .
- NG >> GO TO 7.



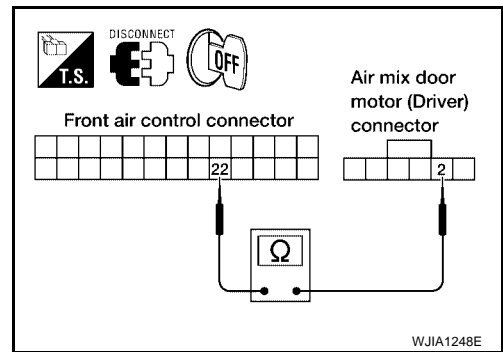
7. CHECK PBR FEEDBACK CIRCUIT

1. Turn ignition switch OFF.
2. Disconnect the air mix door motor (driver) connector and front air control connector.
3. Check continuity between air mix door motor (driver) harness connector M147 terminal 2 and front air control harness connector M49 terminal 22.

2 - 22 Continuity should exist.

OK or NG

- OK >> Replace air mix door motor (driver). Refer to [ATC-145, "FRONT AIR MIX DOOR MOTOR \(DRIVER\)"](#) .
- NG >> Repair or replace harness as necessary.



DIAGNOSTIC PROCEDURE FOR AIR MIX DOOR MOTOR (PASSENGER)

1. CHECK RESULT FROM FRONT AIR CONTROL SELF-DIAGNOSIS

Self-diagnosis code 12 is present. Refer to [ATC-50, "A/C System Self-diagnosis Function \(With NAVI\)"](#) .

YES or NO

- YES >> GO TO 2.
- NO >> GO TO 3.

2. CHECK POWER SUPPLY CIRCUIT FOR AIR MIX DOOR MOTOR (PASSENGER)

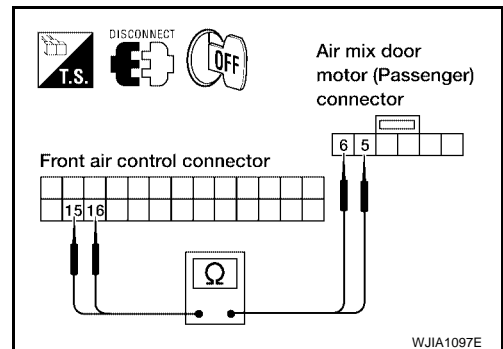
1. Turn ignition switch OFF.
2. Disconnect front air control connector and air mix door motor (passenger) connector.
3. Check continuity between front air control harness connector M49 terminal 15 and 16 and air mix door motor (passenger) harness connector M143 terminal 6 and 5.

15 - 6 Continuity should exist.

16 - 5 Continuity should exist.

OK or NG

- OK >> Replace air mix door motor (passenger). Refer to [ATC-145, "FRONT AIR MIX DOOR MOTOR \(PASSENGER\)"](#) .
- NG >> Repair or replace harness as necessary.

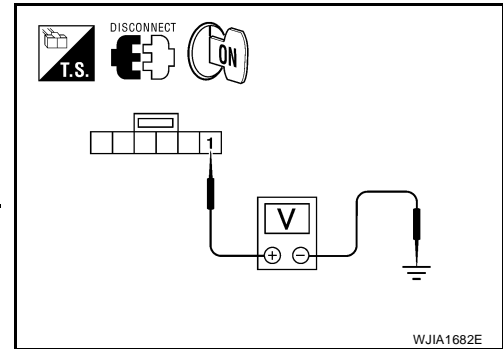


TROUBLE DIAGNOSIS

3. CHECK PBR REFERENCE SIGNAL VOLTAGE

1. Turn ignition switch OFF.
2. Disconnect the air mix door motor (passenger) connector.
3. Turn ignition switch ON.
4. Check voltage between air mix door motor (passenger) harness connector M143 terminal 1 and ground.

Terminals		Condition	Voltage (Approx.)
(+)	(-)		
Air mix door motor (passenger) connector	Terminal No.		
M143	1	Ground	5V



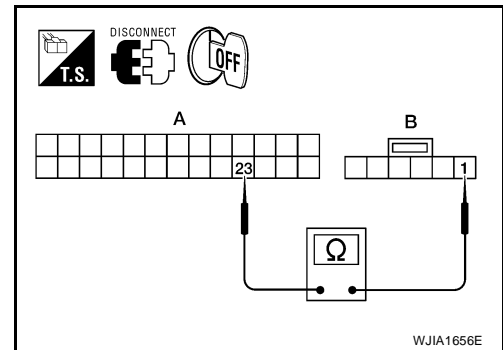
OK or NG

- OK >> GO TO 5.
 NG >> GO TO 4.

4. CHECK PBR REFERENCE VOLTAGE CIRCUIT BETWEEN AIR MIX DOOR (PASSENGER) AND FRONT AIR CONTROL

1. Turn ignition switch OFF.
2. Disconnect the front air control connector.
3. Check continuity between air mix door motor (passenger) harness connector M143 terminal 1 and front air control harness connector M49 terminal 23.

A		B		Continuity
Connector	Terminal	Connector	Terminal	
Front air control: M49	23	Air mix door motor (passenger): M143	1	Yes



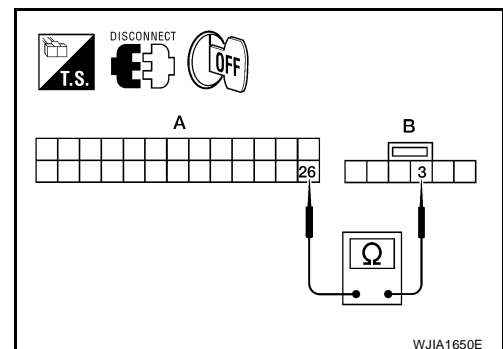
OK or NG

- OK >> Replace front air control. Refer to [ATC-127, "FRONT AIR CONTROL"](#).
 NG >> Repair or replace harness as necessary.

5. CHECK PBR GROUND REFERENCE CIRCUIT

1. Turn ignition switch OFF.
2. Disconnect the front air control connector.
3. Check continuity between air mix door motor (passenger) harness connector M143 terminal 3 and front air control harness connector M49 terminal 26.

A		B		Continuity
Connector	Terminal	Connector	Terminal	
Front air control: M49	26	Air mix door motor (passenger): M143	3	Yes



OK or NG

- OK >> GO TO 6.
 NG >> Repair or replace harness as necessary.

TROUBLE DIAGNOSIS

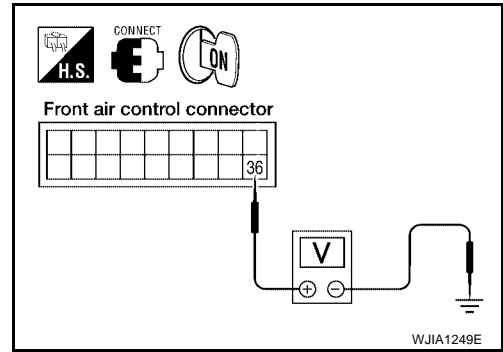
6. CHECK PBR FEEDBACK SIGNAL

1. Reconnect the front air control connector and air mix door motor (passenger) connector.
2. Turn ignition switch ON.
3. Check voltage between front air control harness connector M50 terminal 36 and ground.
4. Rotate passenger temperature control dial through complete range.

36 - Ground : Approx. 0 - 5V

OK or NG

- OK >> Replace front air control. Refer to [ATC-127, "FRONT AIR CONTROL"](#) .
- NG >> GO TO 7.



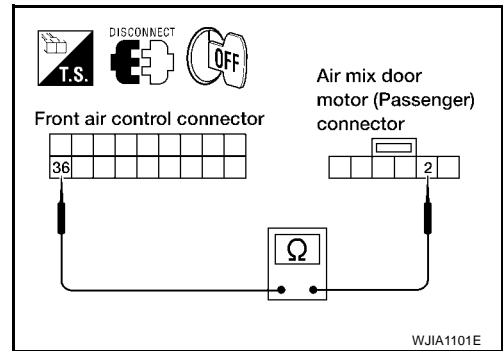
7. CHECK PBR FEEDBACK CIRCUIT

1. Turn ignition switch OFF.
2. Disconnect the air mix door motor (passenger) connector and front air control connector.
3. Check continuity between air mix door motor (passenger) harness connector M143 terminal 2 and front air control harness connector M50 terminal 36.

2 - 36 : Continuity should exist.

OK or NG

- OK >> Replace air mix door motor (passenger) .Refer to [ATC-145, "FRONT AIR MIX DOOR MOTOR \(PASSENGER\)"](#)
- NG >> Repair or replace harness as necessary.



DIAGNOSTIC PROCEDURE FOR AIR MIX DOOR MOTOR (REAR)

1. CHECK RESULT FROM FRONT AIR CONTROL SELF-DIAGNOSIS

If self-diagnosis code 38 is present. Refer to [ATC-50, "A/C System Self-diagnosis Function \(With NAVI\)"](#) .

NOTE:

Self-diagnosis are displayed only with models with navi.

YES or NO

- YES >> GO TO 2.
- NO >> GO TO 3.

2. CHECK POWER SUPPLY CIRCUIT FOR AIR MIX DOOR MOTOR (REAR)

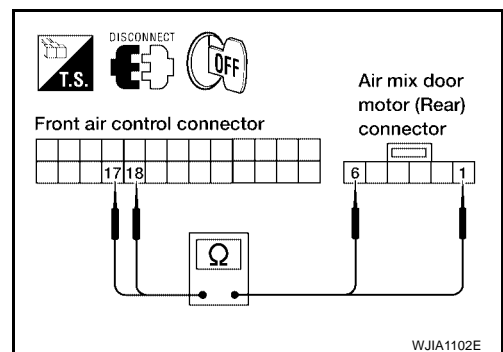
1. Turn ignition switch OFF.
2. Disconnect front air control connector and air mix door motor (rear) connector.
3. Check continuity between front air control harness connector M49 terminal 17 and air mix door motor (rear) harness connector B155 terminal 6 and between front air control harness connector M49 terminal 18 and air mix door motor (rear) harness connector B155 terminal 1.

17 - 6 : Continuity should exist.

18 - 1 : Continuity should exist.

OK or NG

- OK >> Replace air mix door motor (rear). Refer to [ATC-145, "REAR AIR MIX DOOR MOTOR"](#) .
- NG >> Repair or replace harness as necessary.



TROUBLE DIAGNOSIS

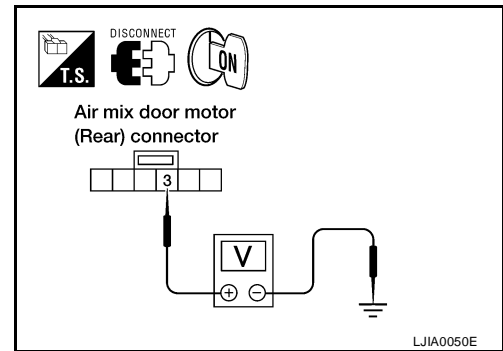
3. CHECK PBR REFERENCE SIGNAL VOLTAGE

1. Turn ignition switch OFF.
2. Disconnect the air mix door motor (rear) connector.
3. Turn ignition switch ON.
4. Check voltage between air mix door motor (rear) harness connector B155 terminal 3 and ground.

3 - Ground : Approx. 5V

OK or NG

- OK >> GO TO 5.
NG >> GO TO 4.



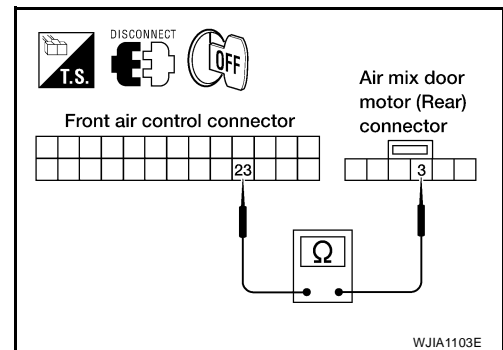
4. CHECK PBR REFERENCE VOLTAGE CIRCUIT BETWEEN AIR MIX DOOR MOTOR (REAR) AND FRONT AIR CONTROL

1. Turn ignition switch OFF.
2. Disconnect the front air control connector.
3. Check continuity between air mix door motor (rear) harness connector B155 terminal 3 and front air control harness connector M49 terminal 23.

3 - 23 Continuity should exist.

OK or NG

- OK >> Replace front air control. Refer to [ATC-127, "FRONT AIR CONTROL"](#).
- NG >> Repair or replace harness as necessary.



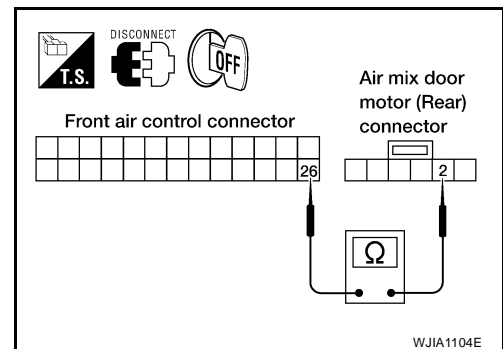
5. CHECK PBR GROUND REFERENCE CIRCUIT

1. Turn ignition switch OFF.
2. Disconnect the front air control connector.
3. Check continuity between air mix door motor (rear) harness connector B155 terminal 2 and front air control harness connector M49 terminal 26.

2 - 26 Continuity should exist.

OK or NG

- OK >> GO TO 6.
NG >> Repair or replace harness as necessary.



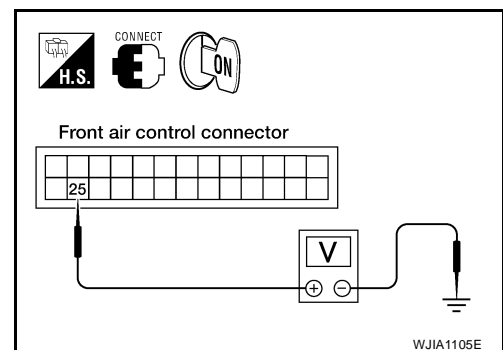
6. CHECK PBR FEEDBACK SIGNAL

1. Reconnect the front air control connector and air mix door motor (rear) connector.
2. Turn ignition switch ON.
3. Check voltage between front air control harness connector M49 terminal 25 and ground.
4. Rotate rear temperature and mode control dial through complete range.

25 - Ground : Approx. 0 - 5V

OK or NG

- OK >> Replace front air control. Refer to [ATC-127, "FRONT AIR CONTROL"](#).
- NG >> GO TO 7.



TROUBLE DIAGNOSIS

7. CHECK PBR FEEDBACK CIRCUIT

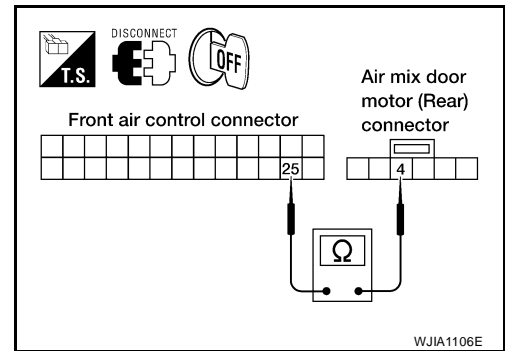
1. Turn ignition switch OFF.
2. Disconnect the air mix door motor (rear) connector and front air control connector.
3. Check continuity between air mix door motor (rear) harness connector B155 terminal 4 and front air control harness connector M49 terminal 25.

4 - 25

Continuity should exist.

OK or NG

- OK >> Replace air mix door motor (rear). Refer to [ATC-145](#), "[REAR AIR MIX DOOR MOTOR](#)".
- NG >> Repair or replace harness as necessary.



A
B
C
D
E
F
G
H
I
K
L
M

ATC

TROUBLE DIAGNOSIS

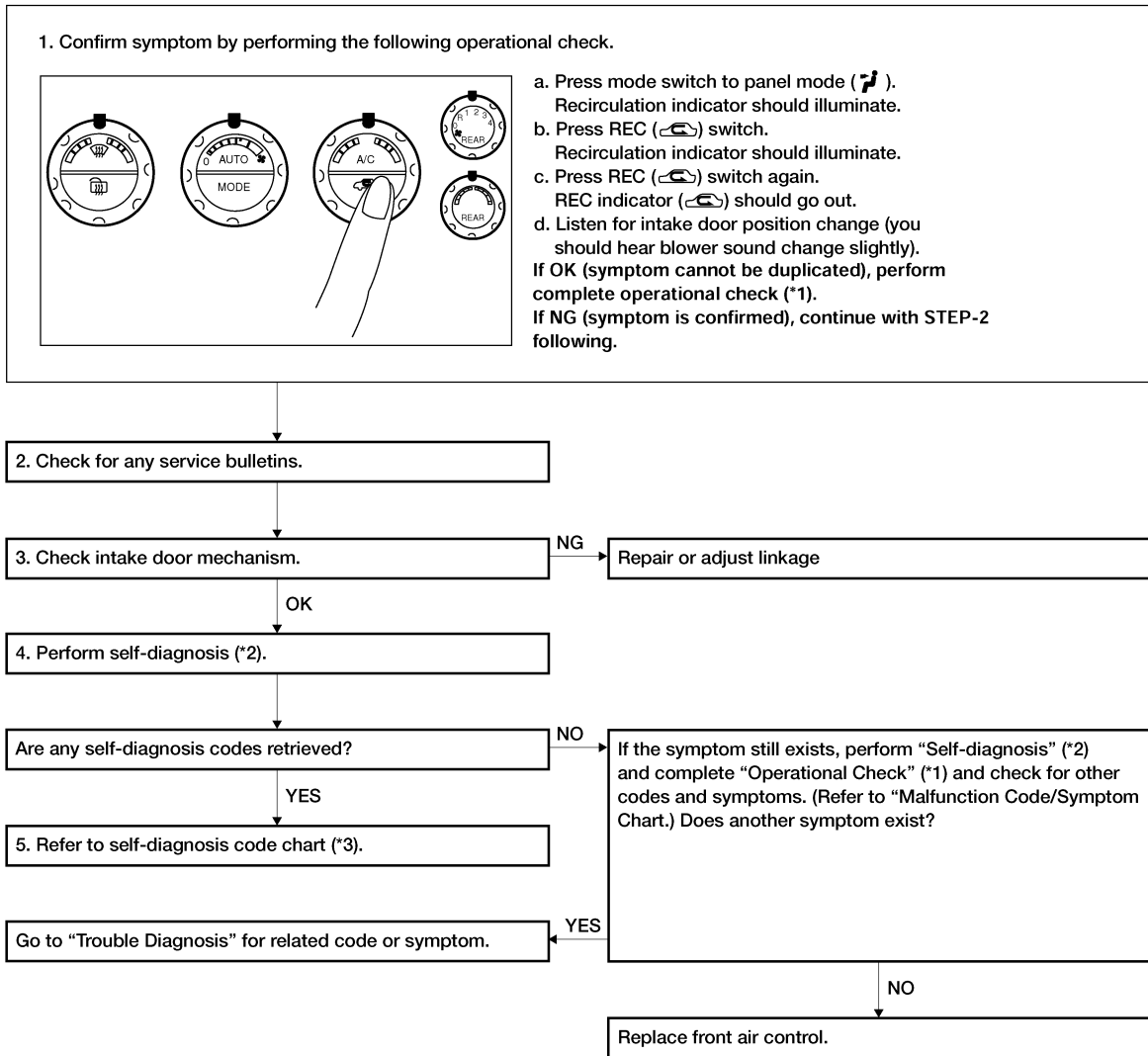
EJS002X5

Intake Door Motor Circuit

SYMPTOM:

- Intake door does not change.
- Intake door motor does not operate normally.

INSPECTION FLOW



*1 [ATC-52, "Operational Check \(Front\)".](#)

*2 [ATC-50, "A/C System Self-diagnosis Function \(With NAVI\)".](#)

*3 [ATC-51, "SELF-DIAGNOSIS CODE CHART".](#)

WJIA1053E

TROUBLE DIAGNOSIS

SYSTEM DESCRIPTION

Component Parts

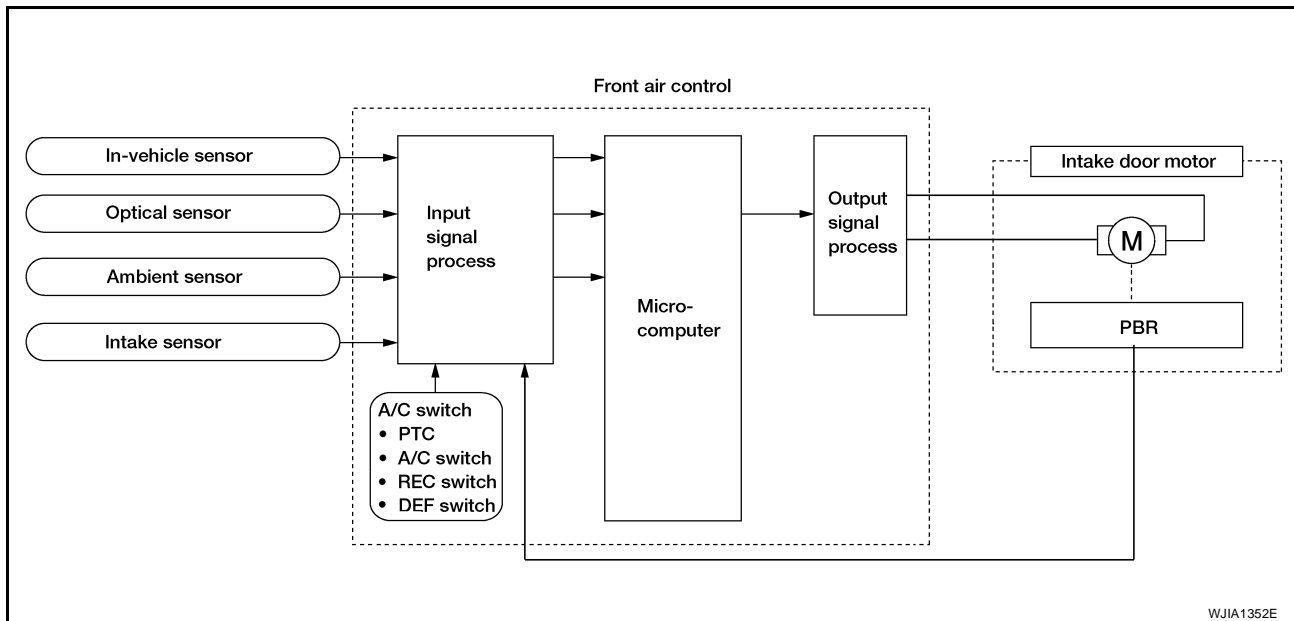
Intake door control system components are:

- Front air control
- Intake door motor
- In-vehicle sensor
- Ambient sensor
- Optical sensor
- Intake sensor

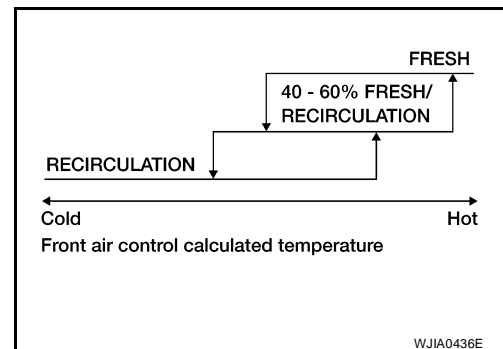
System Operation

The intake door control determines the intake door position based on the position of the recirculation switch. When the recirculation switch is depressed the intake door motor rotates closing off the fresh air inlet and recirculating the cabin air. If the recirculation switch is depressed again, the intake door motor rotates in the opposite direction, again allowing fresh air into the cabin.

In the AUTO mode, the front air control determines the intake door position based on the ambient temperature, the intake air temperature and the in-vehicle temperature. When the DEFROST, or OFF switches are pushed or A/C switch is OFF, the front air control sets the intake door at the fresh position.



Intake Door Control Specification

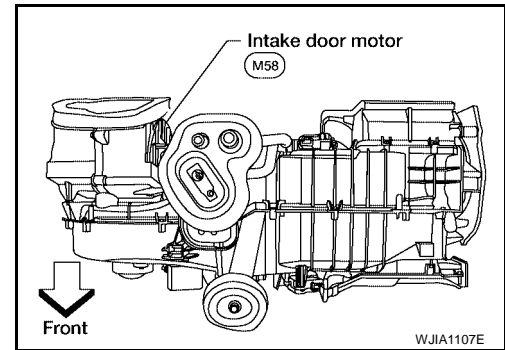


TROUBLE DIAGNOSIS

COMPONENT DESCRIPTION

Intake door motor

The intake door motor is attached to the intake unit. It rotates so that air is drawn from inlets set by the front air control. Motor rotation is conveyed to a lever which activates the intake door.



DIAGNOSTIC PROCEDURE FOR INTAKE DOOR MOTOR

1. CHECK RESULT FROM FRONT AIR CONTROL SELF-DIAGNOSIS

Is self-diagnosis code 82 present? Refer to [ATC-50, "A/C System Self-diagnosis Function"](#).

YES or NO

YES >> GO TO 2.

NO >> Replace front air control. Refer to [ATC-127, "FRONT AIR CONTROL"](#).

2. CHECK POWER SUPPLY CIRCUIT FOR INTAKE DOOR MOTOR

1. Turn ignition switch OFF.
2. Disconnect front air control connector and intake door motor connector.
3. Check continuity between front air control harness connector M49 terminal 5 and intake door motor harness connector M58 terminal 6 and between front air control harness connector M49 terminal 4 and intake door motor harness connector M58 terminal 1.

5 - 6

Continuity should exist.

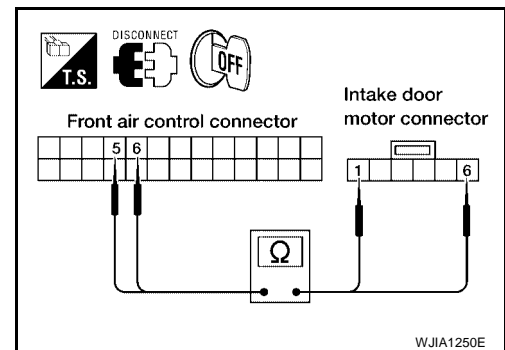
4 - 1

Continuity should exist.

OK or NG

OK >> Replace intake door motor. Refer to [ATC-143, "INTAKE DOOR MOTOR"](#).

NG >> Repair or replace harness as necessary.



TROUBLE DIAGNOSIS

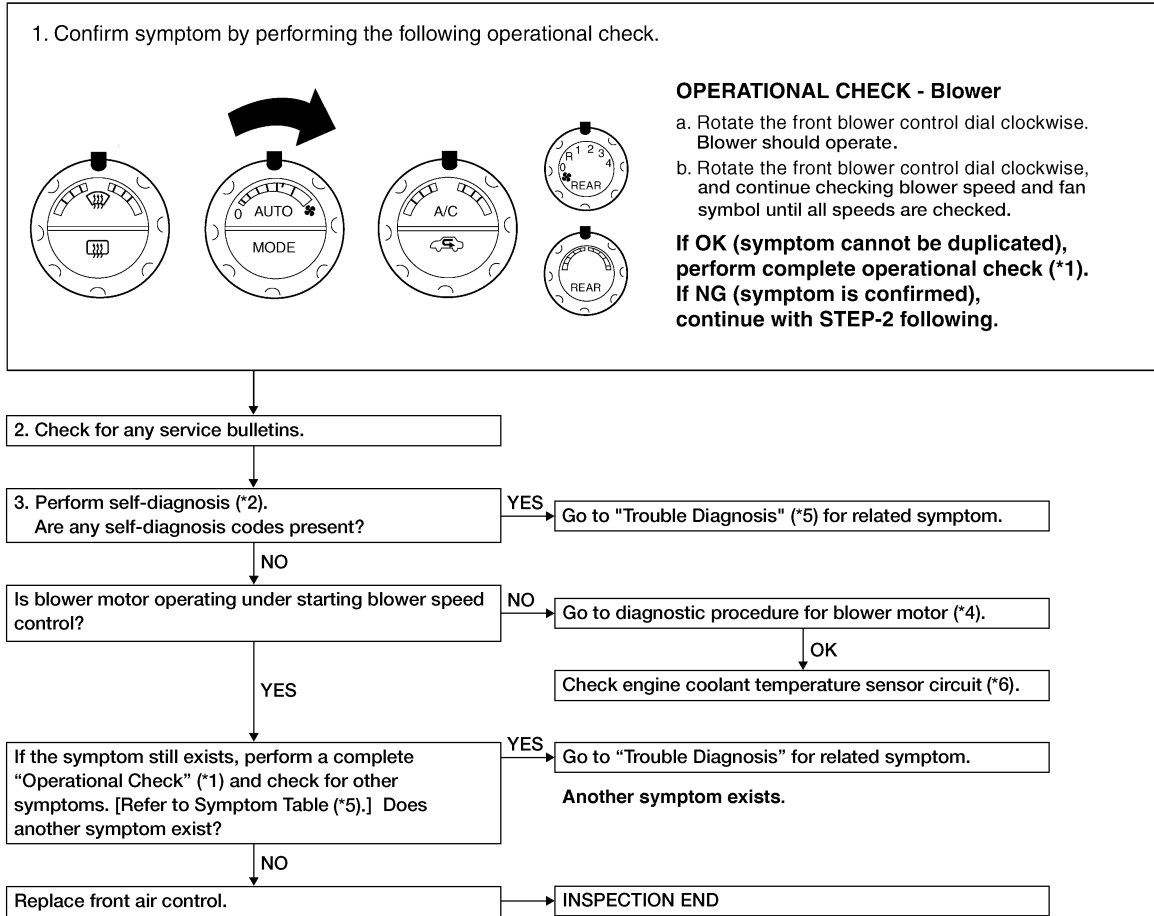
EJS002X7

Front Blower Motor Circuit

SYMPTOM:

- Blower motor operation is malfunctioning.
- Blower motor operation is malfunctioning under cold starting conditions.

INSPECTION FLOW



*1 [.ATC-52, "Operational Check \(Front\)"](#) .

*4 [ATC-77, "DIAGNOSTIC PROCEDURE FOR BLOWER MOTOR"](#).

*2 [ATC-50, "A/C System Self-diagnosis Function \(With NAVI\)"](#).

*5 [ATC-35, "SYMPTOM TABLE"](#)

*3 [ATC-51, "SELF-DIAGNOSIS CODE CHART"](#).

*6 [EC-204, "DTC P0117, P0118 ECT SENSOR"](#)

WJIA1463E

TROUBLE DIAGNOSIS

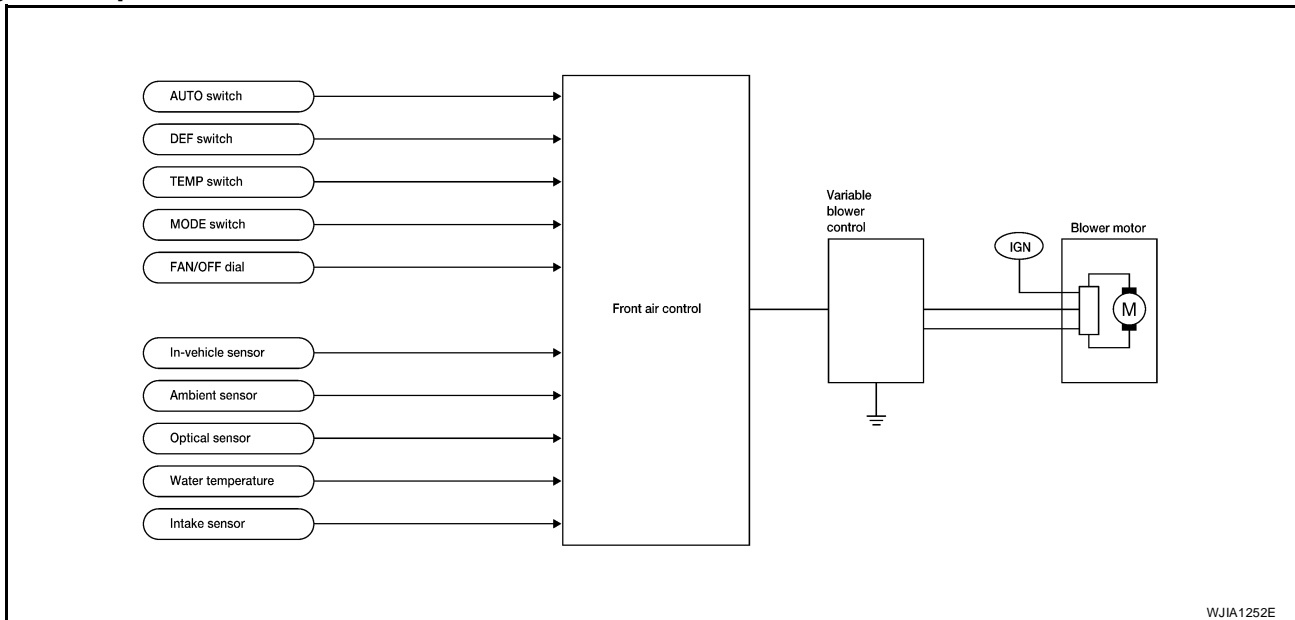
SYSTEM DESCRIPTION

Component Parts

Blower speed control system components are:

- Front air control
- In-vehicle sensor
- Ambient sensor
- Optical sensor
- Intake sensor

System Operation



Automatic Mode

In the automatic mode, the blower motor speed is calculated by the front air control and variable blower control based on input from the in-vehicle sensor, optical sensor, intake sensor and ambient sensor, and potentiometer temperature control (PTC).

When the air flow is increased, the blower motor speed is adjusted gradually to prevent a sudden increase in air flow.

In addition to manual air flow control and the usual automatic air flow control, starting air flow control, low water temperature starting control and high passenger compartment temperature starting control are available.

Starting Blower Speed Control

Start up from cold soak condition (Automatic mode).

In a cold start up condition where the engine coolant temperature is below 50°C (122°F), the blower will not operate at blower speed 1 for a short period of time (up to 210 seconds). The exact start delay time varies depending on the ambient and engine coolant temperatures.

In the most extreme case (very low ambient temperature) the blower starting delay will be 210 seconds as described above. After the coolant temperature reaches 50°C (122°F), or the 210 seconds has elapsed, the blower speed will increase to the objective blower speed.

Start up from usual operating or hot soak condition (Automatic mode).

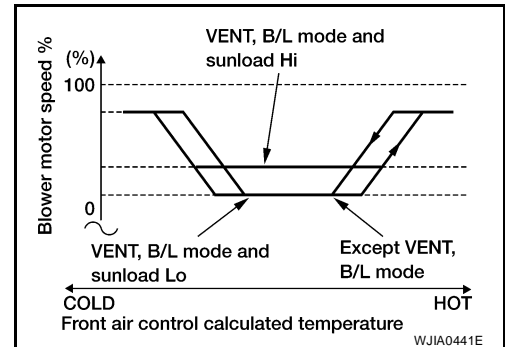
The blower will begin operation momentarily after the AUTO switch is pushed. The blower speed will gradually rise to the objective speed over a time period of 3 seconds or less (actual time depends on the objective blower speed).

TROUBLE DIAGNOSIS

Blower Speed Compensation - Sunload

When the in-vehicle temperature and the set temperature are very close, the blower will be operating at low speed. The speed will vary depending on the sunload. During conditions of low or no sunload, the blower operates at low speed. During high sunload conditions, the front air control causes the blower speed to increase.

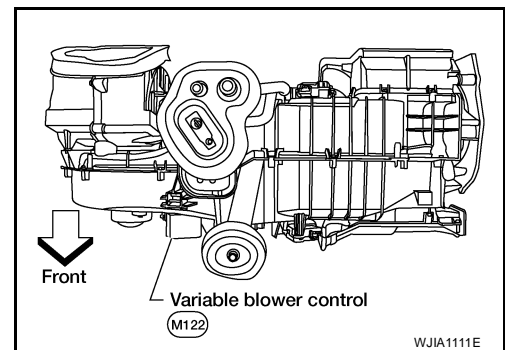
Blower Speed Control Specification



COMPONENT DESCRIPTION

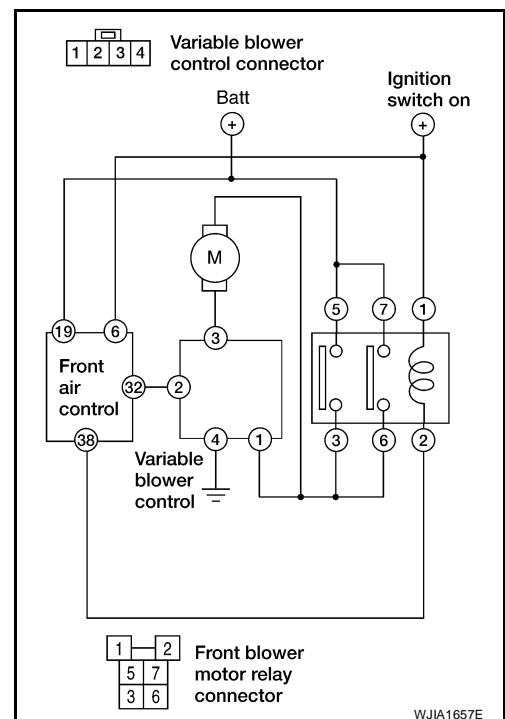
Variable Blower Control

The variable blower control is located on the cooling unit. The variable blower control receives a gate voltage from the front air control to steplessly maintain the blower motor voltage in the 0 to 5 volt range (approx.).



DIAGNOSTIC PROCEDURE FOR BLOWER MOTOR

SYMPTOM: Blower motor operation is malfunctioning under starting blower speed control.



TROUBLE DIAGNOSIS

1. CHECK FUSES

Check 15A fuses [No. 24 and 27, (located in the fuse and fusible link box)]. For fuse layout, refer to [PG-82, "FUSE AND FUSIBLE LINK BOX"](#) .

Fuses are good.

OK or NG

- OK >> GO TO 2.
- NG >> GO TO 10.

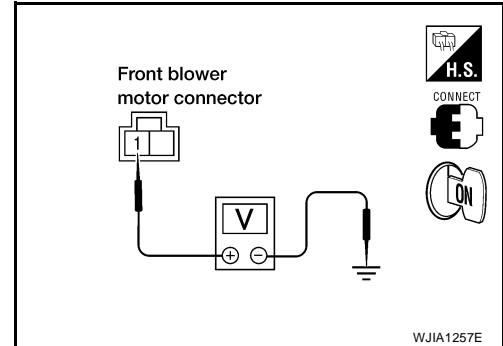
2. CHECK FRONT BLOWER MOTOR POWER SUPPLY CIRCUIT

1. Turn ignition switch OFF.
2. Disconnect front blower motor connector.
3. Turn ignition switch ON.
4. Turn the front blower control dial to select any mode except off.
5. Check voltage between front blower motor harness connector M62 terminal 1 and ground.

1 - Ground : Battery voltage

OK or NG

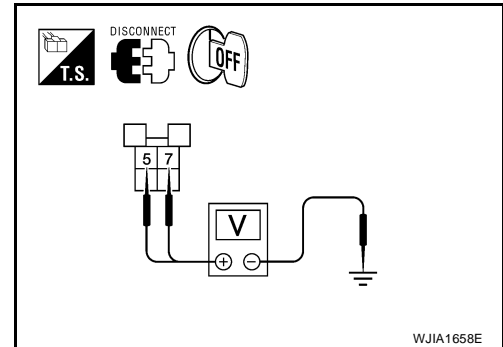
- OK >> GO TO 12.
- NG >> GO TO 3.



3. CHECK FRONT BLOWER MOTOR RELAY (SWITCH SIDE) POWER SUPPLY CIRCUIT

1. Turn ignition switch OFF.
2. Disconnect front blower motor relay.
3. Check voltage between front blower motor relay harness connector E22 terminals 5 and 7 and ground.

A				
Connector	(+)	(-)	Condition	Voltage (Approx.)
Front blower motor relay: E22	5	Ground	Front blower motor relay power supply	Battery voltage
Front blower motor relay: E22	7		Front blower motor relay power supply	Battery Voltage



OK or NG

- OK >> GO TO 4.
- NG >> Repair harness or connector.

4. CHECK FRONT BLOWER MOTOR RELAY

Refer to [ATC-81, "Front Blower Motor Relay"](#) .

OK or NG

- OK >> GO TO 5.
- NG >> Replace front blower motor relay.

TROUBLE DIAGNOSIS

5. CHECK FRONT BLOWER MOTOR RELAY (SWITCH SIDE) CIRCUIT FOR OPEN

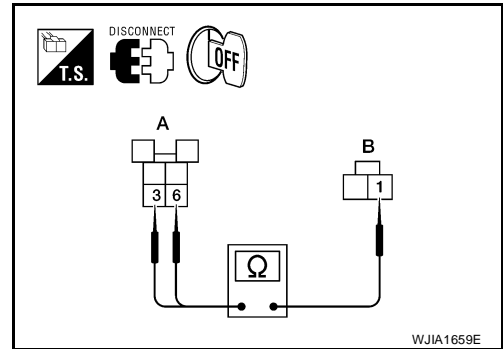
1. Turn ignition switch OFF.
2. Disconnect blower motor relay connector and front blower motor connector.
3. Check continuity between front blower motor relay harness connector E22 terminals 3 and 6 and front blower motor harness connector M62 terminal 1.

A		B		
Connector	Terminal	Connector	Terminal	Continuity
Front blower motor relay: E22	3	Front blower motor: M62	1	Yes
Front blower motor relay: E22	6	Front blower motor: M62	1	Yes

OK or NG

OK >> GO TO 6.

NG >> Repair harness or connector.



WJJA1659E

6. CHECK VARIABLE BLOWER CONTROL POWER SUPPLY CIRCUIT FOR OPEN

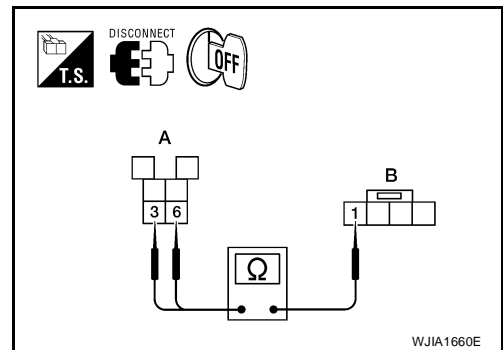
1. Disconnect variable blower control harness connector.
2. Check continuity between front blower motor relay harness connector E22 terminals 3 and 6 and variable blower control harness connector M122 terminal 1.

A		B		
Connector	Terminal	Connector	Terminal	Continuity
Front blower motor relay: E22	3	Variable blower control: M122	1	Yes
Front blower motor relay: E22	6	Front blower motor: M122	1	Yes

OK or NG

OK >> GO TO 7.

NG >> Repair harness or connector.



WJJA1660E

7. CHECK VARIABLE BLOWER CONTROL SIGNAL CIRCUIT

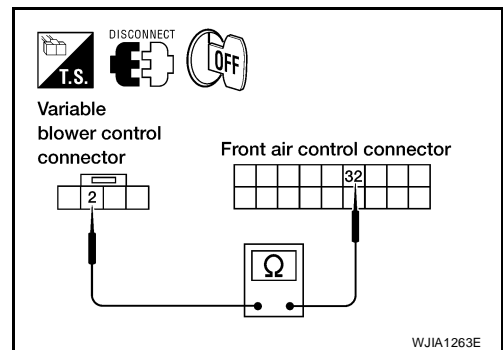
1. Disconnect front air control connector.
2. Check continuity between front air control harness connector M50 terminal 32 and variable blower control harness connector M122 terminal 2.

32 - 2 : Continuity should exist.

OK or NG

OK >> GO TO 8.

NG >> Repair harness or connector.



WJJA1263E

TROUBLE DIAGNOSIS

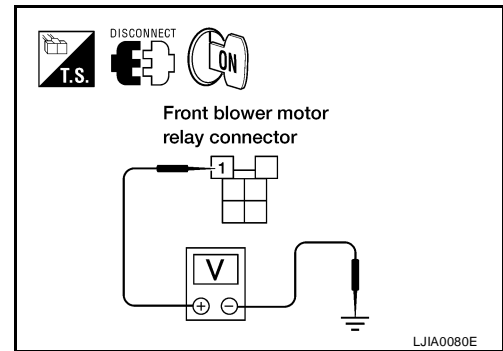
8. CHECK FRONT BLOWER MOTOR RELAY (COIL SIDE) POWER SUPPLY

1. Turn ignition switch ON.
2. Check voltage between front blower motor relay connector E22 terminal 1 and ground.

1 - Ground : Battery voltage

OK or NG

- OK >> GO TO 9.
NG >> Repair harness or connector.



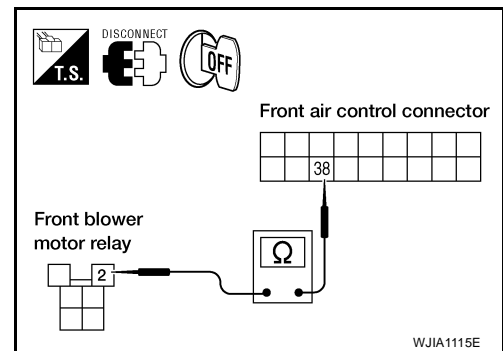
9. CHECK FRONT BLOWER MOTOR RELAY (COIL SIDE) GROUND CIRCUIT

1. Turn ignition switch OFF.
2. Check continuity between front blower motor relay connector E22 terminal 2 and front air control harness connector M50 terminal 38.

2 - 38 : Continuity should exist.

OK or NG

- OK >> Replace front air control. Refer to [ATC-127, "FRONT AIR CONTROL"](#) .
NG >> Repair harness or connector.



10. REPLACE FUSES

1. Replace fuses.
2. Activate the front blower motor.
3. Do fuses blow?

YES or NO

- YES >> GO TO 11.
NO >> Inspection End.

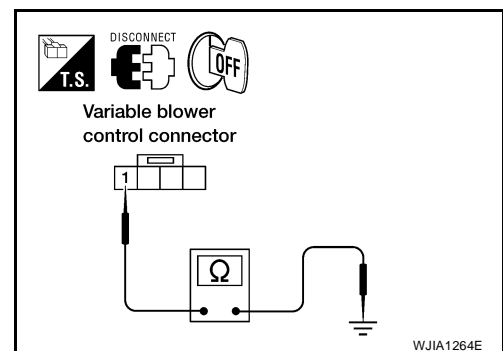
11. CHECK FRONT BLOWER MOTOR POWER SUPPLY CIRCUIT FOR SHORT

1. Turn ignition switch OFF.
2. Disconnect front blower motor connector and variable blower control connector.
3. Check continuity between variable blower control harness connector M122 terminal 1 and ground.

1 - Ground : Continuity should not exist.

OK or NG

- OK >> GO TO 12.
NG >> Repair harness or connector.



TROUBLE DIAGNOSIS

12. CHECK VARIABLE BLOWER CONTROL SIGNAL CIRCUIT

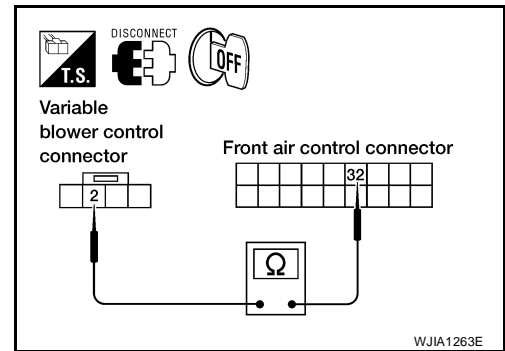
1. Disconnect front air control connector.
2. Check continuity between front air control harness connector M50 terminal 32 and variable blower control harness connector M122 terminal 2.

32 - 2 : Continuity should exist.

OK or NG

OK >> Check blower motor. If OK, replace variable blower control. Refer to [ATC-81, "Front Blower Motor"](#).

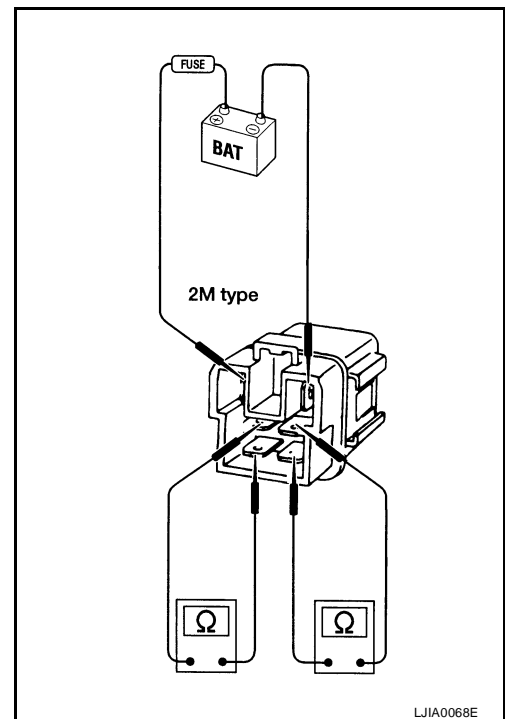
NG >> Repair harness or connector.



COMPONENT INSPECTION

Front Blower Motor Relay

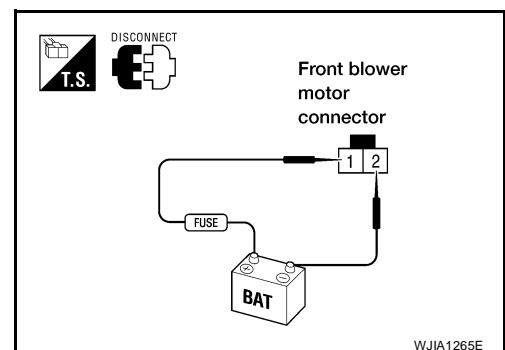
Check continuity between terminals by supplying 12 volts and ground to coil side terminals of relay.



Front Blower Motor

Confirm smooth rotation of the blower motor.

- Ensure that there are no foreign particles inside the blower unit.
- Apply 12 volts to terminal 1 and ground to terminal 2 and verify that the motor operates freely and quietly.



A
B
C
D
E
F
G
H
I
ATC
K
L
M

TROUBLE DIAGNOSIS

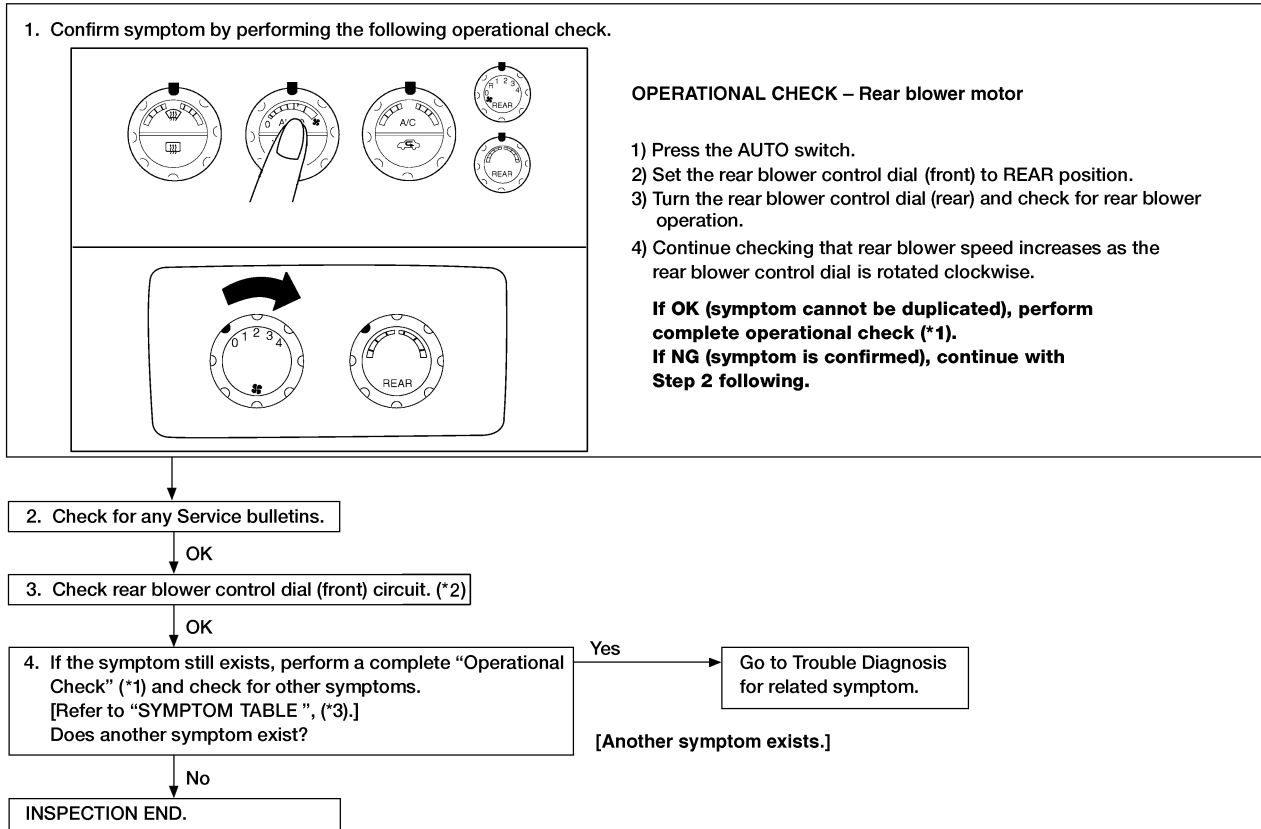
EJS002X8

Rear Blower Motor Circuit

SYMPTOM:

- Blower motor operation is malfunctioning.

INSPECTION FLOW



WJIA1266E

*1 [ATC-55, "Operational Check \(Rear\)"](#) *2 [ATC-91, "Rear Blower Switch \(Front\)"](#)

*3 [ATC-35, "SYMPTOM TABLE"](#)

TROUBLE DIAGNOSIS

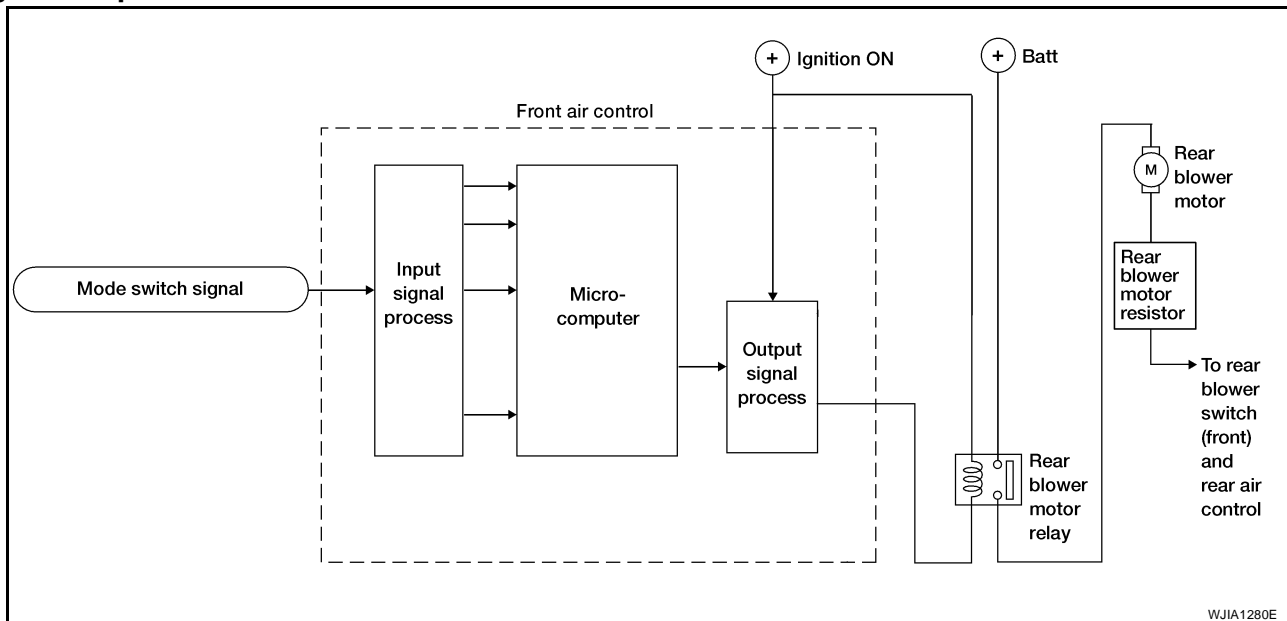
SYSTEM DESCRIPTION

Component Parts

Rear blower speed control system components are:

- Front air control
- Rear blower switch (front)
- Rear blower switch (rear)
- Rear blower motor resistor
- Rear blower motor
- Rear blower motor relay

System Operation



Rear Blower Control

When the rear blower switch (front) is in the OFF position, the rear blower motor cannot operate. When the rear blower switch (front) is in the REAR position, it allows the rear blower switch (rear) to control the rear blower motor speed. In any other position (1-4), the rear blower switch (front) controls the rear blower motor speed regardless of the rear blower switch (rear) position.

DIAGNOSTIC PROCEDURE FOR REAR BLOWER MOTOR

Rear Fan Switch (Rear) Circuit

SYMPTOM:

- Rear blower motor does not rotate when rear blower switch (front) is set to REAR position and rear blower switch (rear) is set at 1 - 4 speed.

1. CHECK REAR BLOWER MOTOR OPERATION

Rear blower motor rotates normally when rear blower switch (front) is set at 1 - 4 speed.

OK or NG

OK >> GO TO 2.

NG >> Refer to [ATC-85, "Trouble Diagnosis Procedure For Rear Blower Motor \(1 - 4 Speed\)"](#) .

2. CHECK REAR BLOWER SWITCH (FRONT)

Refer to [ATC-91, "Rear Blower Switch \(Front\)"](#) .

OK or NG

OK >> GO TO 3.

NG >> Replace rear blower switch (front). Refer to [ATC-127, "FRONT AIR CONTROL"](#) .

TROUBLE DIAGNOSIS

3. CHECK REAR BLOWER SWITCH (REAR)

Refer to [ATC-91, "Rear Air Control"](#) .

OK or NG

OK >> GO TO 4.

NG >> Replace rear blower switch (rear). Refer to [ATC-127, "REAR AIR CONTROL"](#) .

4. CHECK CIRCUIT CONTINUITY

1. Turn ignition switch OFF.
2. Disconnect rear blower switch (front) connector and rear air control connector.
3. Check continuity between rear blower switch (front) harness connector M52 terminal 2 and rear air control harness connector M208 terminal 10.

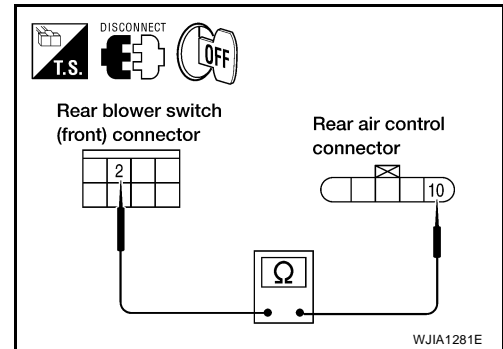
2 - 10

: Continuity should exist.

OK or NG

OK >> Inspection End.

NG >> Repair harness or connector.



TROUBLE DIAGNOSIS

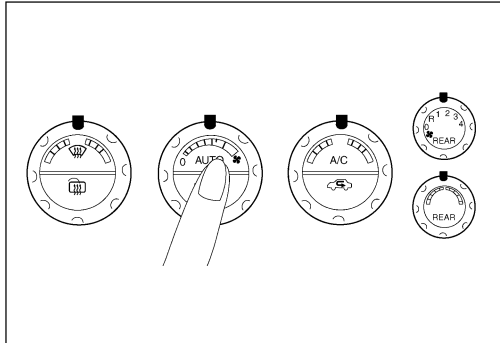
Trouble Diagnosis Procedure For Rear Blower Motor (1 - 4 Speed)

SYMPTOM:

- Rear blower motor does not rotate when rear blower switch (front) is set at 1 - 4 speed.

Inspection Flow

1. Confirm symptom by performing the following operational check.



OPERATIONAL CHECK – Rear blower motor

- Press the auto switch.
- Set the rear fan switch (front) to rear blower speed position 1 and check for rear blower operation.
- Continue checking that rear blower speed increases as the rear fan switch (front) is set to rear blower speed positions 2-4 .

**If OK (symptom cannot be duplicated),
perform complete operational check (*1).**
**If NG (symptom is confirmed),
continue with Step 2 following.**

2. Check for any Service bulletins.

OK

3. Check rear blower motor (1-4 speed) circuit. (*2)

OK

4. If the symptom still exists, perform a complete "Operational Check" (*1) and check for other symptoms. [Refer to "SYMPTOM CHART", (*3).] Does another symptom exist?

Yes

Go to Trouble Diagnosis for related symptom.

[Another symptom exists.]

No

INSPECTION END.

*1 [.ATC-55, "Operational Check \(Rear\)"](#) .

*2 [ATC-85, "Trouble Diagnosis Procedure For Rear Blower Motor \(1 - 4 Speed\)"](#)

*3 [ATC-35, "SYMPTOM TABLE"](#)

WJIA1058E

A
B
C
D
E
F
G
H
I
K
L
M

ATC

TROUBLE DIAGNOSIS

1. DIAGNOSTIC PROCEDURE

Blower motor rotates normally at each speed.

OK or NG

- OK >> Inspection End.
- NG >> 1. Does not rotate at any speed, GO TO 2.
- 2. Does not rotate at 1 - 3 speed, GO TO 13.
- 3. Does not rotate at 4 speed, GO TO 18.

2. CHECK FUSES

Check 15A fuses (Nos. 28 and 31, located in the fuse and fusible link box). Refer to [PG-82, "FUSE AND FUSIBLE LINK BOX"](#) .

OK or NG

- OK >> GO TO 3.
- NG >> GO TO 8.

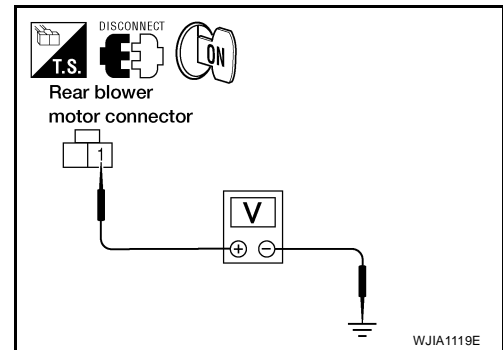
3. CHECK REAR BLOWER MOTOR POWER SUPPLY

1. Turn ignition switch OFF.
2. Disconnect rear blower motor connector.
3. Select any rear blower speed except OFF.
4. Turn ignition switch ON.
5. Check voltage between rear blower motor harness connector B201 terminal 1 and ground.

1 - Ground : **Battery voltage**

OK or NG

- OK >> GO TO 11.
- NG >> GO TO 4.



4. CHECK REAR BLOWER MOTOR RELAY

Refer to [ATC-91, "Rear Blower Motor Relay"](#) .

OK or NG

- OK >> GO TO 5.
- NG >> Replace rear blower motor relay.

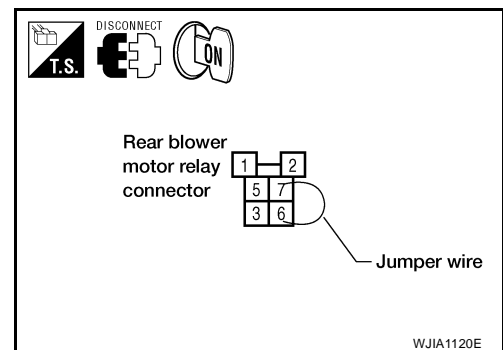
5. CHECK REAR BLOWER MOTOR POWER FROM RELAY TO REAR BLOWER MOTOR

1. Turn ignition switch OFF.
2. Reconnect rear blower motor connector.
3. Disconnect rear blower motor relay E25.
4. Turn ignition switch ON.
5. Set rear blower switch (front) to any position except OFF, REAR, or 4 - speed.
6. Momentarily (no more than 4 seconds), connect a jumper wire between rear blower motor relay connector E25 (harness side) terminals 6 and 7.

Rear blower motor should rotate.

OK or NG

- OK >> GO TO 6.
- NG >> GO TO 10.



TROUBLE DIAGNOSIS

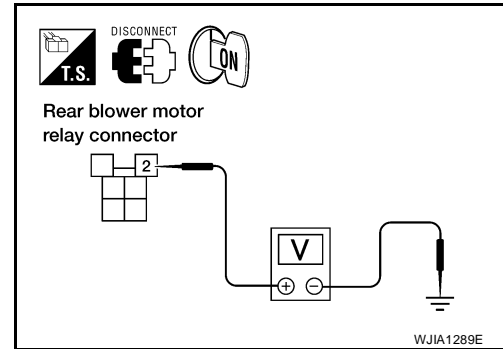
6. CHECK REAR BLOWER MOTOR RELAY (COIL SIDE) POWER SUPPLY CIRCUIT

Check voltage between rear blower motor relay harness connector E25 terminal 2 and ground.

2 - Ground : **Battery voltage**

OK or NG

- OK >> GO TO 7.
- NG >> Repair harness or connector.



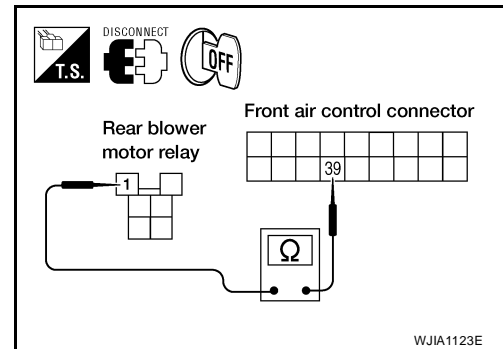
7. CHECK REAR BLOWER MOTOR RELAY (COIL SIDE) GROUND CIRCUIT

1. Turn ignition switch OFF.
2. Disconnect the front air control M50.
3. Check continuity between rear blower motor relay harness connector E25 terminal 1 and front air control harness connector M50 terminal 39.

1 - 39 : **Continuity should exist.**

OK or NG

- OK >> Replace front air control. Refer to [ATC-127, "FRONT AIR CONTROL"](#).
- NG >> Repair harness or connector.



8. REPLACE FUSE

Refer to [PG-82, "FUSE AND FUSIBLE LINK BOX"](#).
Fuse should not open when rear blower motor is activated.

OK or NG

- OK >> Inspection End.
- NG >> GO TO 9.

9. CHECK REAR BLOWER MOTOR

Refer to [ATC-92, "Rear Blower Motor"](#).

OK or NG

- OK >> Repair harness between the rear blower motor and the fuse.
- NG >> Replace rear blower motor. refer to [ATC-133, "REAR BLOWER MOTOR"](#)

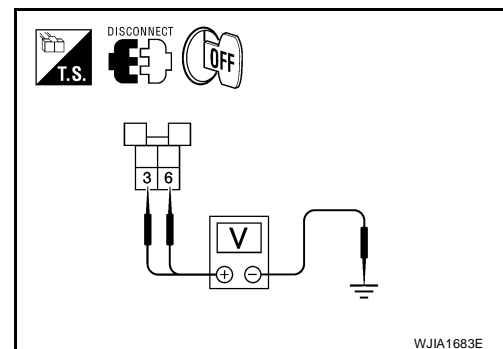
10. CHECK REAR BLOWER MOTOR RELAY (SWITCH SIDE) POWER SUPPLY CIRCUIT

1. Turn ignition switch OFF.
2. Disconnect rear blower motor relay E25.
3. Check voltage between rear blower motor relay harness connector E25 terminals 6 and 3, and ground.

3, 6 - Ground : **Battery voltage should exist.**

OK or NG

- OK >> GO TO 20.
- NG >> Repair harness or connector.



TROUBLE DIAGNOSIS

11. CHECK REAR BLOWER MOTOR

Refer to [ATC-92, "Rear Blower Motor"](#) .

OK or NG

OK >> GO TO 12.

NG >> Replace rear blower motor. Refer to [ATC-133, "REAR BLOWER MOTOR"](#) .

12. CHECK REAR BLOWER SWITCH (FRONT)

Refer to [ATC-91, "Rear Blower Switch \(Front\)"](#) .

OK or NG

OK >> GO TO 15.

NG >> Replace rear blower switch (front). Refer to [ATC-127, "FRONT AIR CONTROL"](#) .

13. CHECK REAR BLOWER MOTOR RESISTOR

Refer to [ATC-92, "Rear Blower Motor Resistor"](#) .

OK or NG

OK >> GO TO 14.

NG >> Replace rear blower motor resistor. Refer to [ATC-148, "REAR BLOWER MOTOR RESISTOR"](#) .

14. CHECK REAR BLOWER SWITCH (FRONT) CIRCUIT

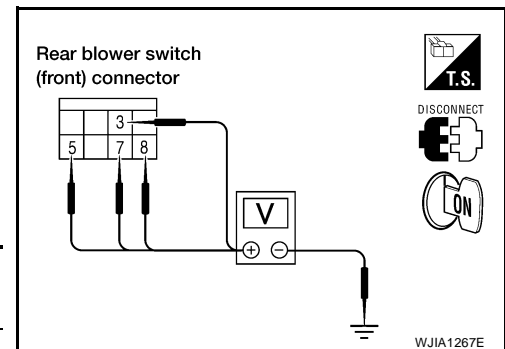
1. Turn ignition switch OFF.
2. Disconnect rear blower switch (front) M52.
3. Reconnect rear blower motor resistor harness connector B133.
4. Turn ignition switch ON.
5. Check voltage between each rear blower switch (front) connector M52 terminals 3, 5, 7, and 8, and ground.

Terminal No.		Voltage (Approx.)
(+)	(-)	
3	Ground	Battery voltage
5		
7		
8		

OK or NG

OK >> GO TO 17.

NG >> GO TO 16.



TROUBLE DIAGNOSIS

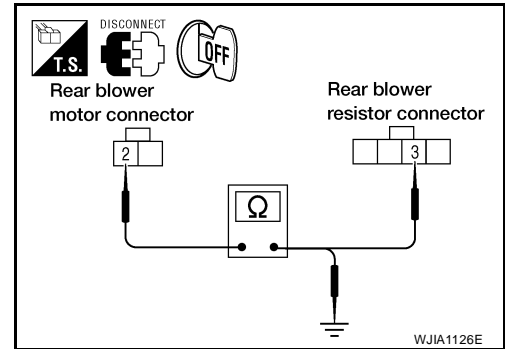
15. CHECK REAR BLOWER MOTOR GROUND CIRCUIT TO REAR BLOWER MOTOR RESISTOR

1. Turn ignition switch OFF.
2. Disconnect rear blower motor and rear blower motor resistor connectors.
3. Check continuity between rear blower motor connector B201 terminal 2 and rear blower motor resistor harness connector B133 terminal 3.

2 - 3 : Continuity should exist.

4. Check continuity between rear blower motor connector B201 terminal 2 and ground.

2 - Ground : Continuity should not exist.



OK or NG

OK >> GO TO 16.

NG >> Repair harness or connector.

16. CHECK REAR BLOWER SWITCH (FRONT) CIRCUIT

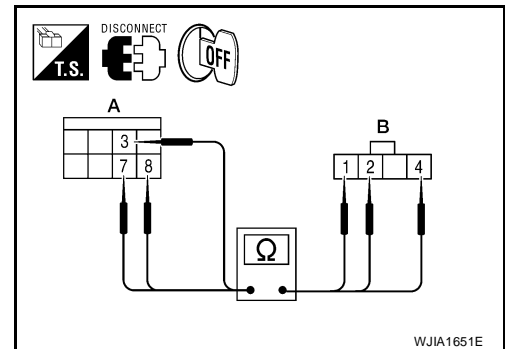
1. Turn ignition switch OFF.
2. Disconnect rear blower switch (front) connector.
3. Check continuity between rear blower switch (front) connector M52 terminals 3, 7, and 8, and rear blower motor resistor connector B133 terminals 1, 4, and 2.

A		B		Continuity
Connector	Terminal	Connector	Terminal	
Rear blower switch (front): M52	3	Rear blower motor resistor: B133	1	Yes
Rear blower switch (front): M52	7	Rear blower motor resistor: B133	4	Yes
Rear blower switch (front): M52	8	Rear blower motor resistor: B133	2	Yes

OK or NG

OK >> Repair harness between rear blower motor resistor and the rear blower motor.

NG >> Repair harness or connector.



A
B
C
D
E
F
G
H
I
K
L
M

ATC

TROUBLE DIAGNOSIS

17. CHECK REAR FAN SWITCH (FRONT) CIRCUIT

1. Turn ignition switch OFF.
2. Disconnect rear air control connector.
3. Check continuity between rear blower switch (front) connector M52 terminals 3, 5, 7, and 8, and rear air control connector R208 terminals 9, 6, 8, and 7.

A		B		Continuity
Connector	Terminal	Connector	Terminal	
Rear blower switch (front): M52	3	Rear air control: M208	9	Yes
Rear blower switch (front): M52	5	Rear air control: M208	6	Yes
Rear blower switch (front): M52	7	Rear air control: M208	8	Yes
Rear blower switch (front): M52	8	Rear air control: M208	7	Yes

OK or NG

- OK >> GO TO 18.
 NG >> Repair harness or connector.

18. CHECK REAR BLOWER SWITCH (FRONT)

Refer to [ATC-91, "Rear Blower Switch \(Front\)"](#) .

OK or NG

- OK >> GO TO 19.
 NG >> Replace rear blower switch (front). Refer to [ATC-127, "FRONT AIR CONTROL"](#) .

19. CHECK REAR BLOWER SWITCH (REAR) IN REAR AIR CONTROL

Refer to [ATC-91, "Rear Air Control"](#) .

OK or NG

- OK >> Repair harness between rear blower motor and rear blower switch (front) or rear air control.
 NG >> Replace rear air control.

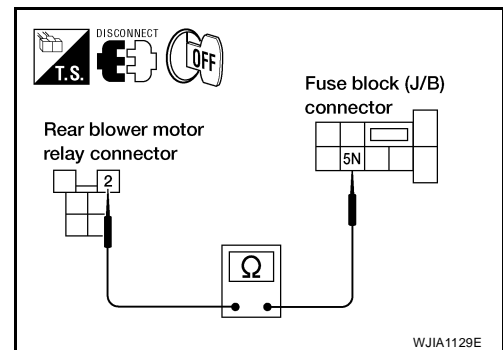
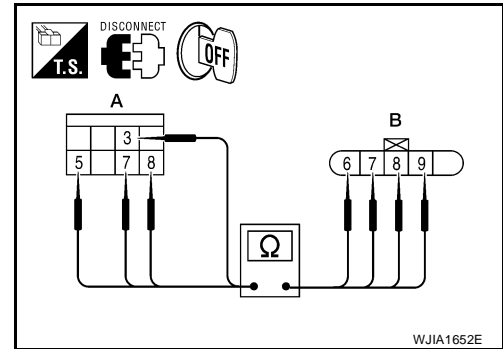
20. CHECK CIRCUIT BETWEEN FRONT AIR CONTROL AND FUSE BLOCK (J/B) [REAR BLOWER MOTOR RELAY (COIL SIDE) POWER]

1. Disconnect rear blower motor relay and fuse block (J/B) connectors M3.
2. Check continuity between rear blower motor relay harness connector E25 terminal 2 and fuse block (J/B) connector M3 terminal 5N.

Continuity should exist.

OK or NG

- OK >> Replace rear blower motor relay.
 NG >> Repair harness or connector.

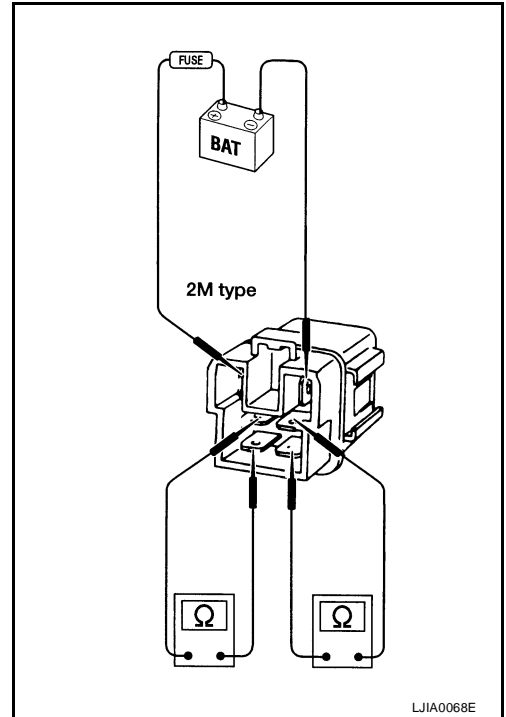


TROUBLE DIAGNOSIS

COMPONENT INSPECTION

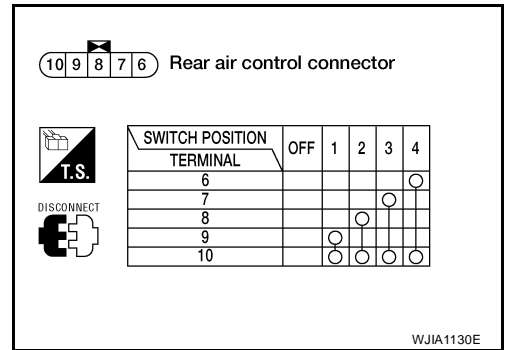
Rear Blower Motor Relay

Check circuit continuity between terminals by supplying 12 volts and ground to coil side terminals of relays.



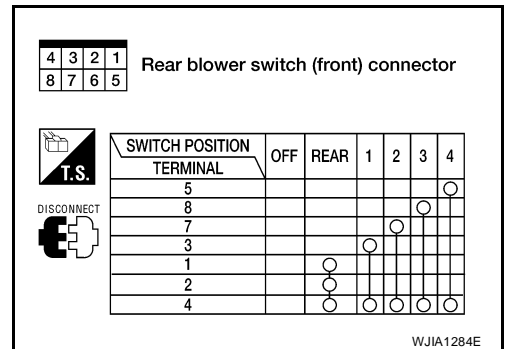
Rear Air Control

Check continuity between terminals at each switch position.



Rear Blower Switch (Front)

Check continuity between terminals at each switch position.



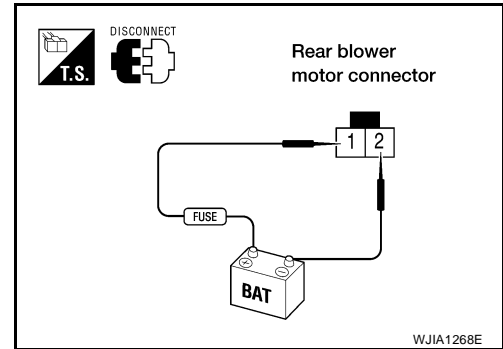
A
B
C
D
E
F
G
H
I
K
L
M

ATC

TROUBLE DIAGNOSIS

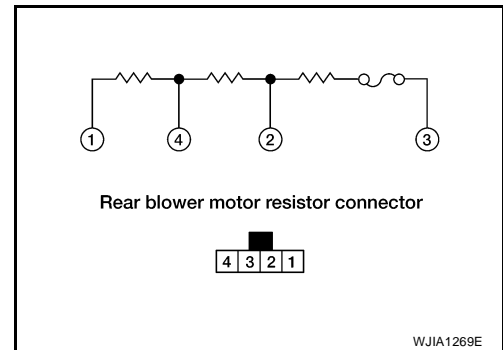
Rear Blower Motor

Check that there are no foreign particles inside the intake unit.
Apply 12 volts to terminal 1 and ground to terminal 2 and ensure that the blower motor rotates freely and quietly.



Rear Blower Motor Resistor

Check continuity between terminals. There will be resistance, but there should not be an open or short between any two terminals.



TROUBLE DIAGNOSIS

EJS002X9

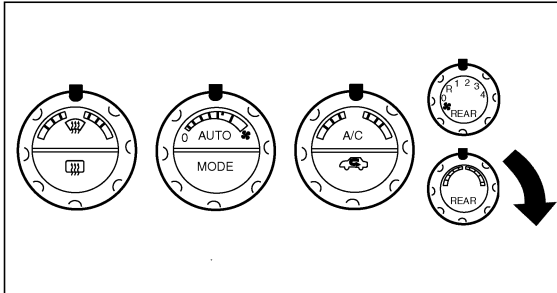
Rear Air Control Circuit

SYMPTOM:

- Temperature cannot be adjusted from the rear air control.

INSPECTION FLOW

1. Confirm symptom by performing the following operational check.



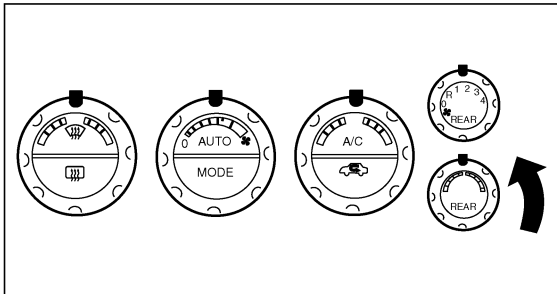
OPERATIONAL CHECK

Temperature increase

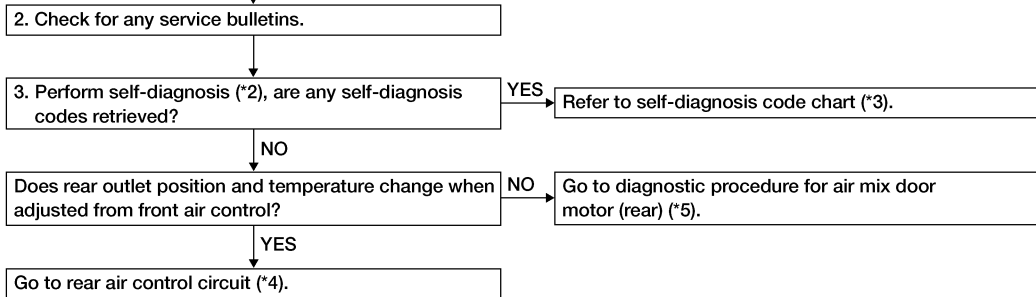
- Press AUTO button (Rear blower only operates when front blower is on).
- Turn the temperature control dial clockwise.
- Check for hot air at rear foot discharge air outlets.

Temperature decrease

- Turn the temperature control dial counterclockwise.
- Check for cold air at rear vent discharge air outlets.



If OK (symptom cannot be duplicated), perform complete operational check (*1).
If NG (symptom is confirmed), continue with STEP-2 following.



*1 [ATC-55, "Operational Check \(Rear\)".](#)

*2 [ATC-50, "A/C System Self-diagnosis Function \(With NAVI\)".](#)

*3 [ATC-51, "SELF-DIAGNOSIS CODE CHART".](#)

*4 [ATC-94, "DIAGNOSTIC PROCEDURE FOR REAR AIR CONTROL".](#)

*5 [ATC-69, "DIAGNOSTIC PROCEDURE FOR AIR MIX DOOR MOTOR \(REAR\)".](#)

WJIA1270E

TROUBLE DIAGNOSIS

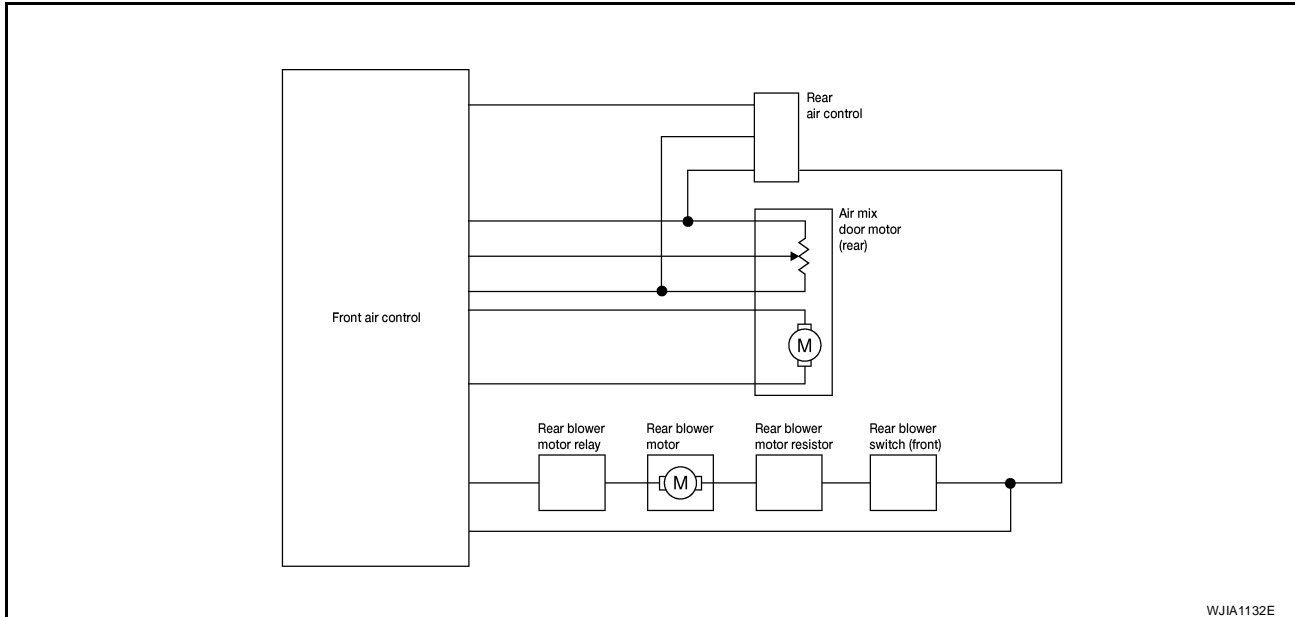
SYSTEM DESCRIPTION

Component Parts

Rear air control system components are:

- Front air control
- Rear air control
- Air mix door motor (rear)
- Rear blower motor relay
- Rear blower motor resistor
- Rear blower motor

System Operation



Rear Air Control

When the rear fan switch (front) (integral to the front air control) is in the REAR position the rear blower motor speeds and the rear temperature/mode are controlled by the rear fan switch (rear) and the rear temperature switch (rear) (both integral to the rear air control).

DIAGNOSTIC PROCEDURE FOR REAR AIR CONTROL

SYMPTOM:

- Blower motor operation is malfunctioning. Refer to [ATC-82, "Rear Blower Motor Circuit"](#) .
- Temperature/mode operation is malfunctioning.

1. CHECK OPERATION FROM FRONT AIR CONTROL

Does rear temperature/mode operate normally from front air control?

YES or NO

YES >> GO TO 2.

NO >> Refer to [ATC-69, "DIAGNOSTIC PROCEDURE FOR AIR MIX DOOR MOTOR \(REAR\)"](#) .

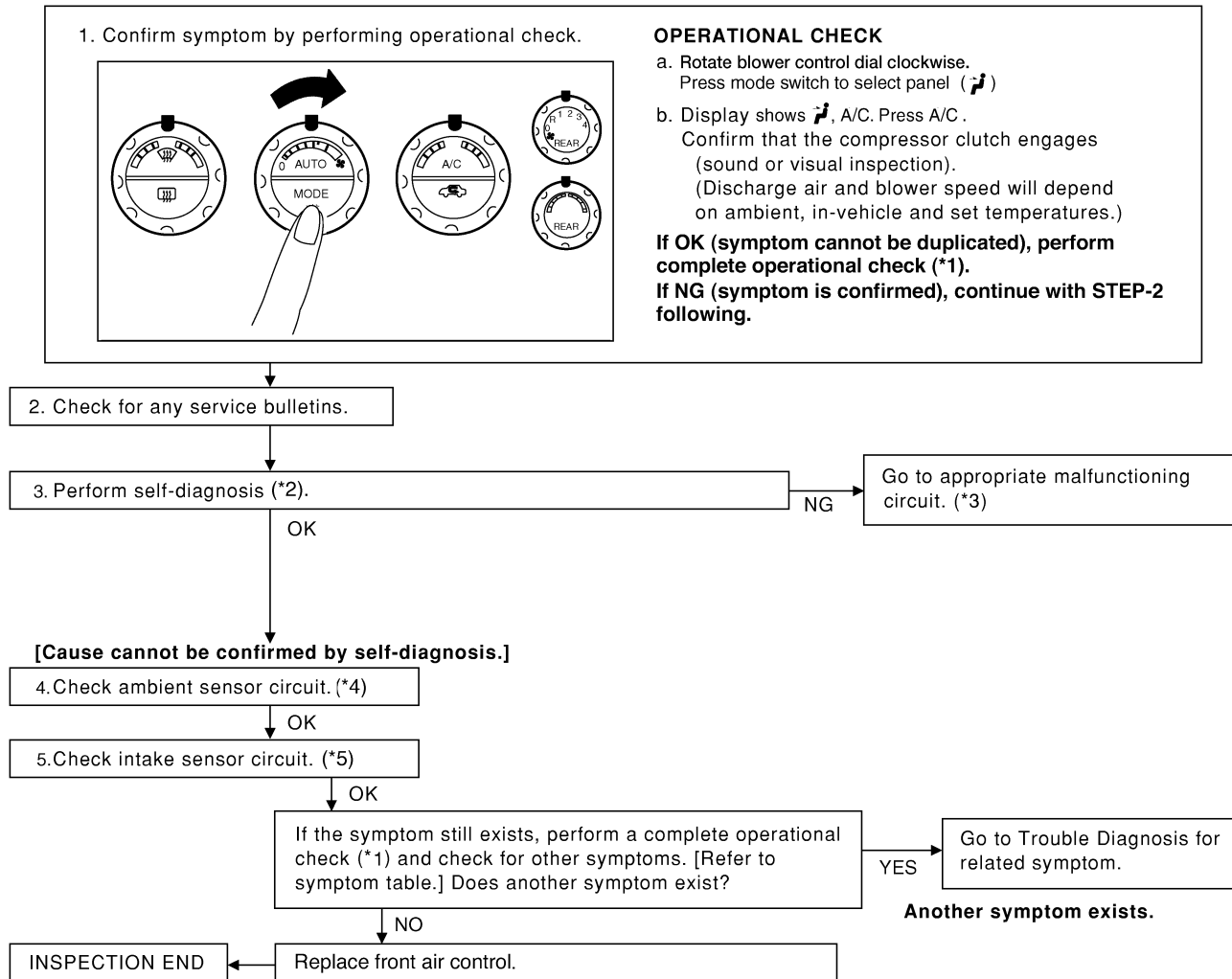
TROUBLE DIAGNOSIS

EJS002XA

Magnet Clutch Circuit

SYMPTOM: Magnet clutch does not engage.

INSPECTION FLOW



*1 [.ATC-52. "Operational Check \(Front\)"](#) .

*2 [ATC-50. "A/C System Self-diagnosis Function \(With NAVI\)"](#).

*3 [ATC-51. "SELF-DIAGNOSIS CODE CHART"](#).

*4 [ATC-117. "Ambient Sensor 1 Circuit"](#).

*5 [ATC-125. "Intake Sensor Circuit"](#).

WJIA1285E

TROUBLE DIAGNOSIS

SYSTEM DESCRIPTION

The front air control controls compressor operation based on ambient and intake temperature and a signal from ECM.

Low Temperature Protection Control

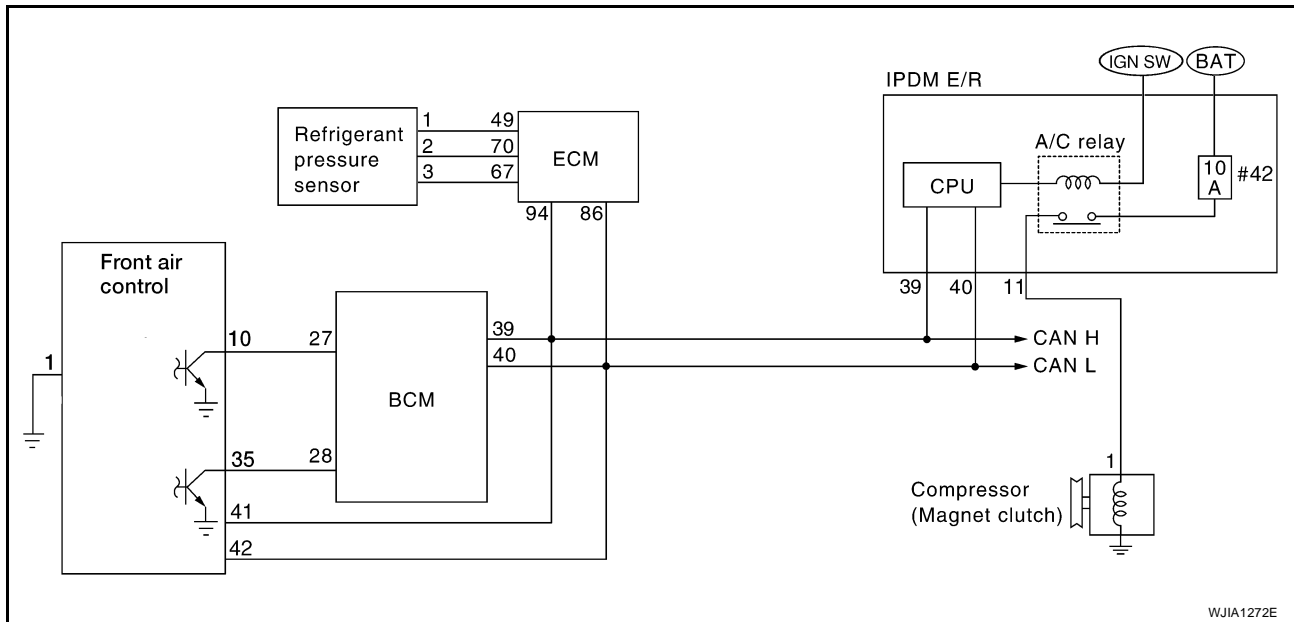
The front air control will turn the compressor ON or OFF as determined by a signal detected by the intake sensor and the ambient sensor.

When intake air temperature is higher than the preset value, the compressor turns ON. The compressor turns OFF when intake air temperature is lower than the preset value. That preset value is dependent on the ambient temperature, refer to the following table.

Ambient temperature °C (°F)	Compressor ON intake temperature °C (°F)	Compressor OFF intake temperature °C (°F)
0 (32)	2.5 (37)	2.0 (36)
10 (50)	2.5 (37)	2.0 (36)
20 (68)	2.5 (37)	1.5 (35)
30 (86)	2.0 (36)	0.5 (33)
40 (104)	2.0 (36)	0.5 (33)
50 (122)	2.0 (36)	0.5 (33)

DIAGNOSTIC PROCEDURE FOR MAGNET CLUTCH

SYMPTOM: Magnet clutch does not engage when A/C switch is ON.



1. CHECK INTAKE AND AMBIENT SENSOR CIRCUITS

Check intake and ambient sensors. Refer to [ATC-50, "A/C System Self-diagnosis Function \(With NAVI\)"](#).

OK or NG

OK >> GO TO 2.

NG >> Malfunctioning intake sensor. Refer to [ATC-125, "Intake Sensor Circuit"](#).

TROUBLE DIAGNOSIS

2. PERFORM AUTO ACTIVE TEST

Refer to [PG-22, "Auto Active Test"](#) .
Does magnet clutch operate?

YES or NO

YES >> ● WITH CONSULT-II
GO TO 5.

● WITHOUT CONSULT-II
GO TO 6.

NO >> Check 10A fuse (No. 42, located in IPDM E/R), and GO TO 3.

3. CHECK CIRCUIT CONTINUITY BETWEEN IPDM E/R AND COMPRESSOR

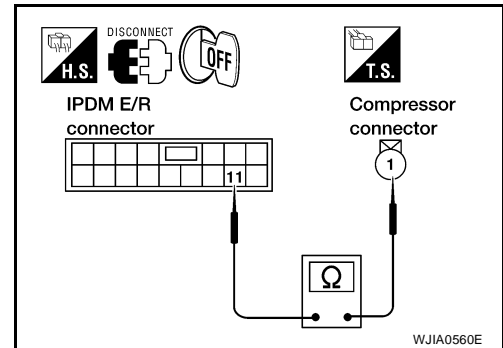
1. Turn ignition switch OFF.
2. Disconnect IPDM E/R connector and compressor (magnet clutch) connector.
3. Check continuity between IPDM E/R harness connector E119 terminal 11 and compressor harness connector F3 terminal 1.

11 – 1 : Continuity should exist.

OK or NG

OK >> GO TO 4.

NG >> Repair harness or connector.



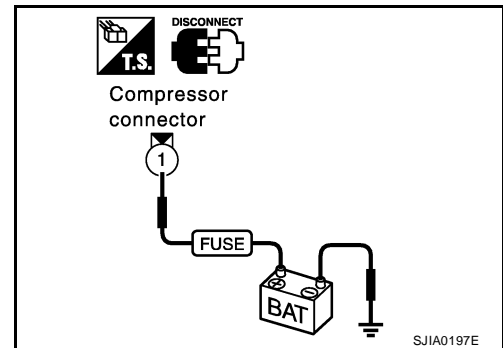
4. CHECK MAGNET CLUTCH CIRCUIT

Check for operation sound when applying battery voltage direct current to terminal.

OK or NG

OK >> Replace IPDM E/R. Refer to [PG-29, "Removal and Installation of IPDM E/R"](#) .

NG >> Replace magnet clutch. Refer to [ATC-159, "Removal and Installation for Compressor Clutch"](#) .



5. CHECK BCM INPUT (COMPRESSOR ON) SIGNAL

Check compressor ON/OFF signal. Refer to [ATC-33, "CONSULT-II Function \(BCM\)"](#) .

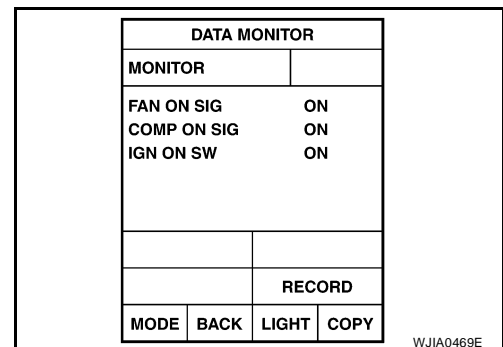
A/C SW ON : COMP ON SIG ON

A/C SW OFF : COMP ON SIG OFF

OK or NG

OK >> GO TO 8.

NG >> GO TO 6.



TROUBLE DIAGNOSIS

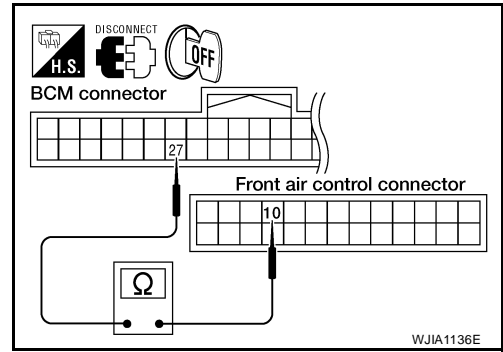
6. CHECK CIRCUIT CONTINUITY BETWEEN BCM AND FRONT AIR CONTROL

1. Turn ignition switch OFF.
2. Disconnect BCM connector and front air control connector.
3. Check continuity between BCM harness connector M18 terminal 27 and front air control harness connector M49 terminal 10.

27 - 10 **Continuity should exist.**

OK or NG

- OK >> GO TO 7.
- NG >> Repair harness or connector.



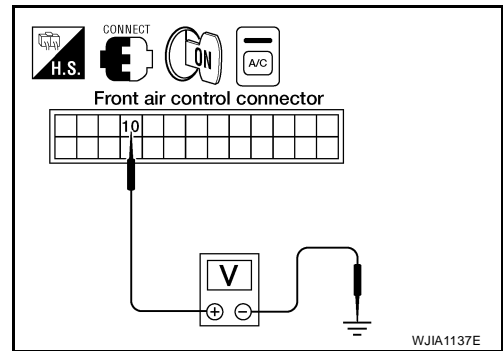
7. CHECK VOLTAGE FOR FRONT AIR CONTROL (COMPRESSOR ON SIGNAL)

1. Reconnect BCM connector and front air control connector.
2. Turn ignition switch ON.
3. Check voltage between front air control harness connector M49 terminal 10 and ground.

Terminals			Condition	Voltage (Approx.)
(+)		(-)		
Front air control connector	Terminal No.			
M49	10	Ground	A/C switch: ON	0V
			A/C switch: OFF	5V

OK or NG

- OK >> GO TO 8.
- NG-1 >> If the voltage is approx. 5V when A/C switch is ON, replace front air control. Refer to [ATC-127, "FRONT AIR CONTROL"](#).
- NG-2 >> If the voltage is approx. 0V when A/C switch is OFF, replace BCM. Refer to [BCS-20, "Removal and Installation of BCM"](#).



A
B
C
D
E
F
G
H
I
K
L
M

ATC

TROUBLE DIAGNOSIS

8. CHECK REFRIGERANT PRESSURE SENSOR

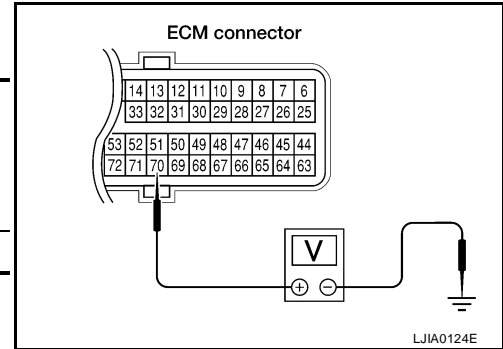
④ WITH CONSULT-II

1. Start engine.
2. Check voltage of refrigerant pressure sensor. Refer to [EC-691, "REFRIGERANT PRESSURE SENSOR"](#).

⊗ WITHOUT CONSULT-II

1. Start engine.
2. Check voltage between ECM harness connector F54 terminal 70 and ground.

Terminals		Condition	Voltage (Approx.)
(+)	(-)		
ECM connector	Terminal No.		
F54	70	Ground	A/C switch: ON
			0.36 - 3.88V



OK or NG

OK >> ● ④ WITH CONSULT-II
GO TO 9.

- ⊗ WITHOUT CONSULT-II
GO TO 10.

NG >> Refer to [EC-691, "REFRIGERANT PRESSURE SENSOR"](#).

9. CHECK BCM INPUT (FAN ON) SIGNAL

Check FAN ON/OFF signal. Refer to [ATC-33, "CONSULT-II Function \(BCM\)"](#).

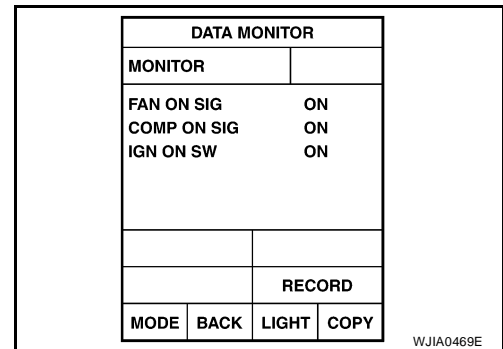
**FRONT BLOWER CONTROL : FAN ON SIG ON
DIAL ON**

**FRONT BLOWER CONTROL : FAN ON SIG OFF
DIAL OFF**

OK or NG

OK >> GO TO 12.

NG >> GO TO 10.



10. CHECK CIRCUIT CONTINUITY BETWEEN BCM AND FRONT AIR CONTROL

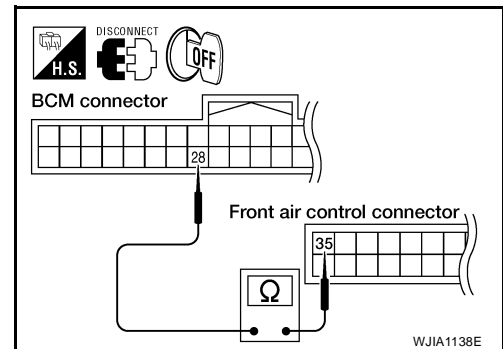
1. Turn ignition switch OFF.
2. Disconnect BCM connector and front air control connector.
3. Check continuity between BCM harness connector M18 terminal 28 and front air control harness connector M50 terminal 35.

28 - 35 Continuity should exist.

OK or NG

OK >> GO TO 11.

NG >> Repair harness or connector.

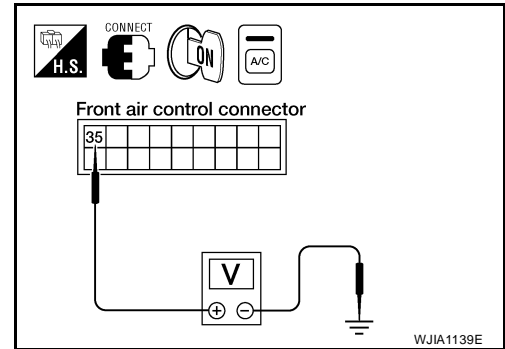


TROUBLE DIAGNOSIS

11. CHECK VOLTAGE FOR FRONT AIR CONTROL (FAN ON SIGNAL)

1. Reconnect BCM connector and front air control connector.
2. Turn ignition switch ON.
3. Check voltage between front air control harness connector M50 terminal 35 and ground.

Terminals		Condition	Voltage (Approx.)
(+)	(-)		
Front air control connector	Terminal No.		
M50	35	A/C switch: ON Blower motor operates	0V
		A/C switch: OFF	5V



OK or NG

OK >> GO TO 12.

NG-1 >> If the voltage is approx. 5V when blower motor is ON, replace front air control. Refer to [ATC-127, "FRONT AIR CONTROL"](#).

NG-2 >> If the voltage is approx. 0V when blower motor is OFF, replace BCM. Refer to [BCS-20, "Removal and Installation of BCM"](#).

12. CHECK CAN COMMUNICATION

Check CAN communication. Refer to [ATC-32, "CAN Communication System Description"](#).

- BCM – ECM
- ECM – IPDM E/R
- ECM – Front air control

OK or NG

OK >> Inspection End.

NG >> Repair or replace malfunctioning part(s).

A
B
C
D
E
F
G
H
I
K
L
M

ATC

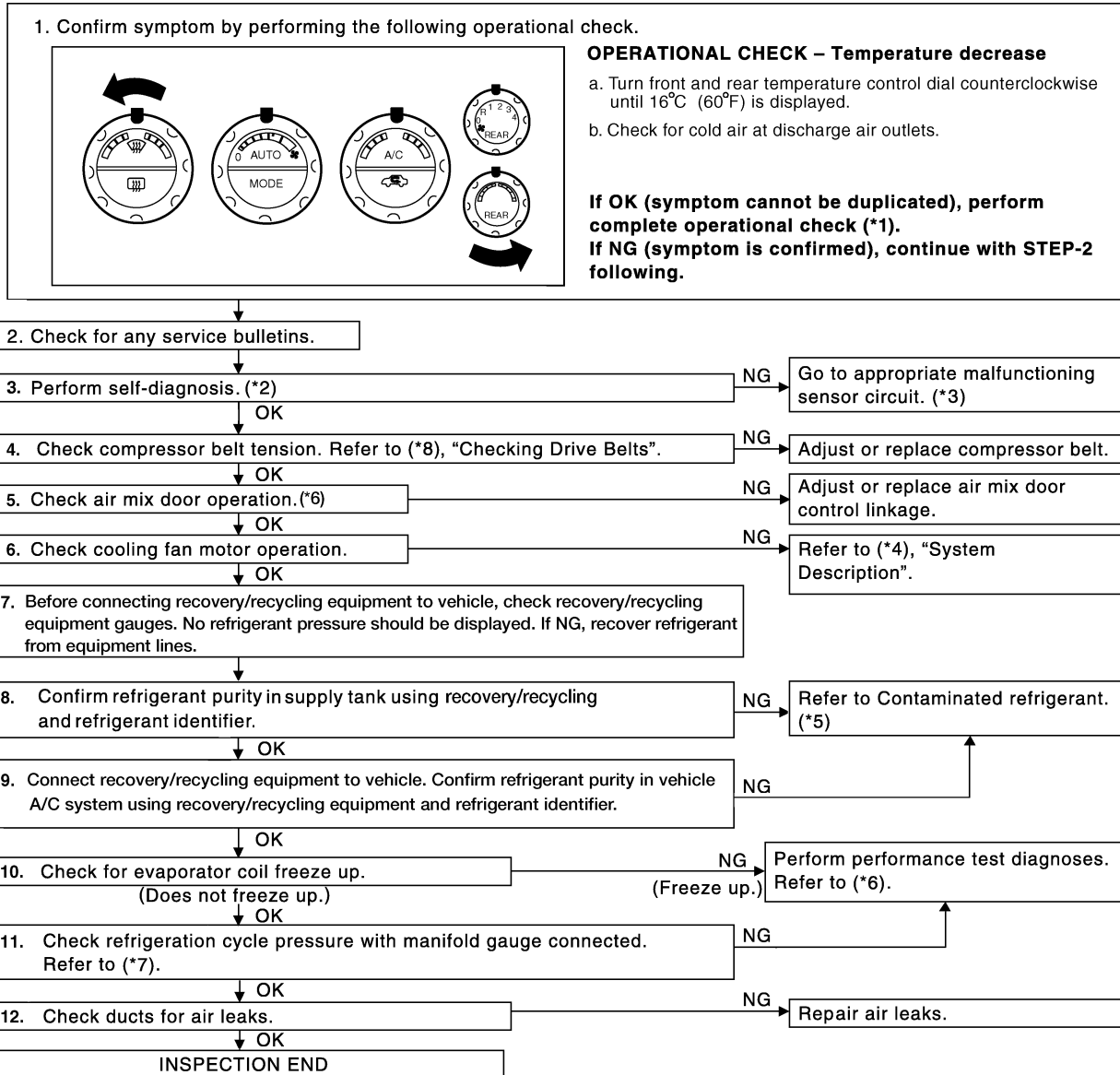
TROUBLE DIAGNOSIS

EJS002XB

Insufficient Cooling

SYMPTOM: Insufficient cooling

INSPECTION FLOW



WJIA1464E

*1 [.ATC-52. "Operational Check \(Front\)"](#) .

*2 [ATC-50. "A/C System Self-diagnosis Function \(With NAVI\)"](#) .

*3 [ATC-51. "SELF-DIAGNOSIS CODE CHART"](#) .

*4 [EC-463. "SYSTEM DESCRIPTION"](#) .

*5 [ATC-5. "Contaminated Refrigerant"](#) .

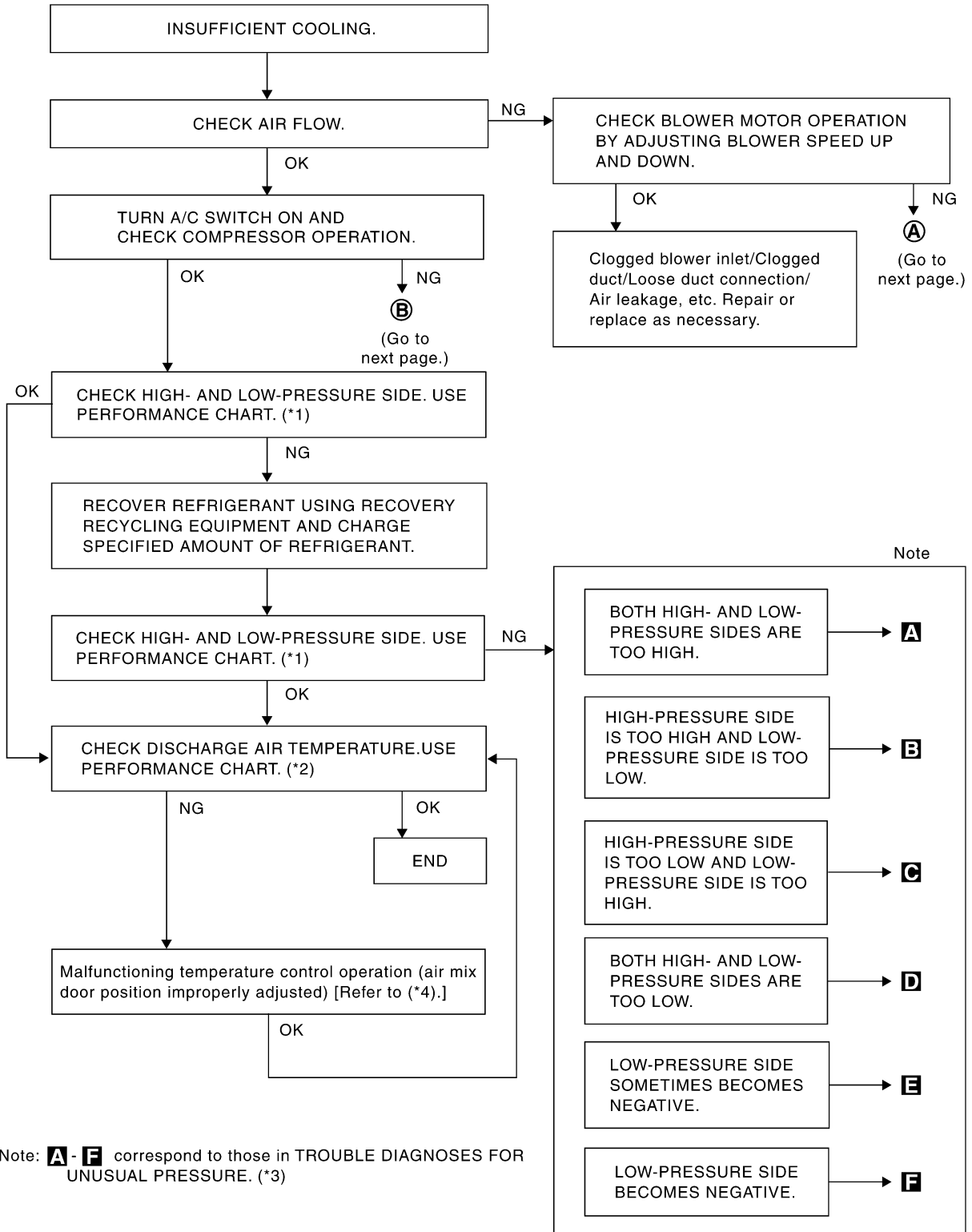
*6 [.ATC-103. "PERFORMANCE TEST DIAGNOSES"](#)

*7 [ATC-105. "Test Reading"](#)

*8 [MA-13. "Checking Drive Belts"](#)

TROUBLE DIAGNOSIS

PERFORMANCE TEST DIAGNOSES



Note: Ⓐ - Ⓕ correspond to those in TROUBLE DIAGNOSES FOR UNUSUAL PRESSURE. (*3)

*1 [ATC-105, "PERFORMANCE CHART"](#).

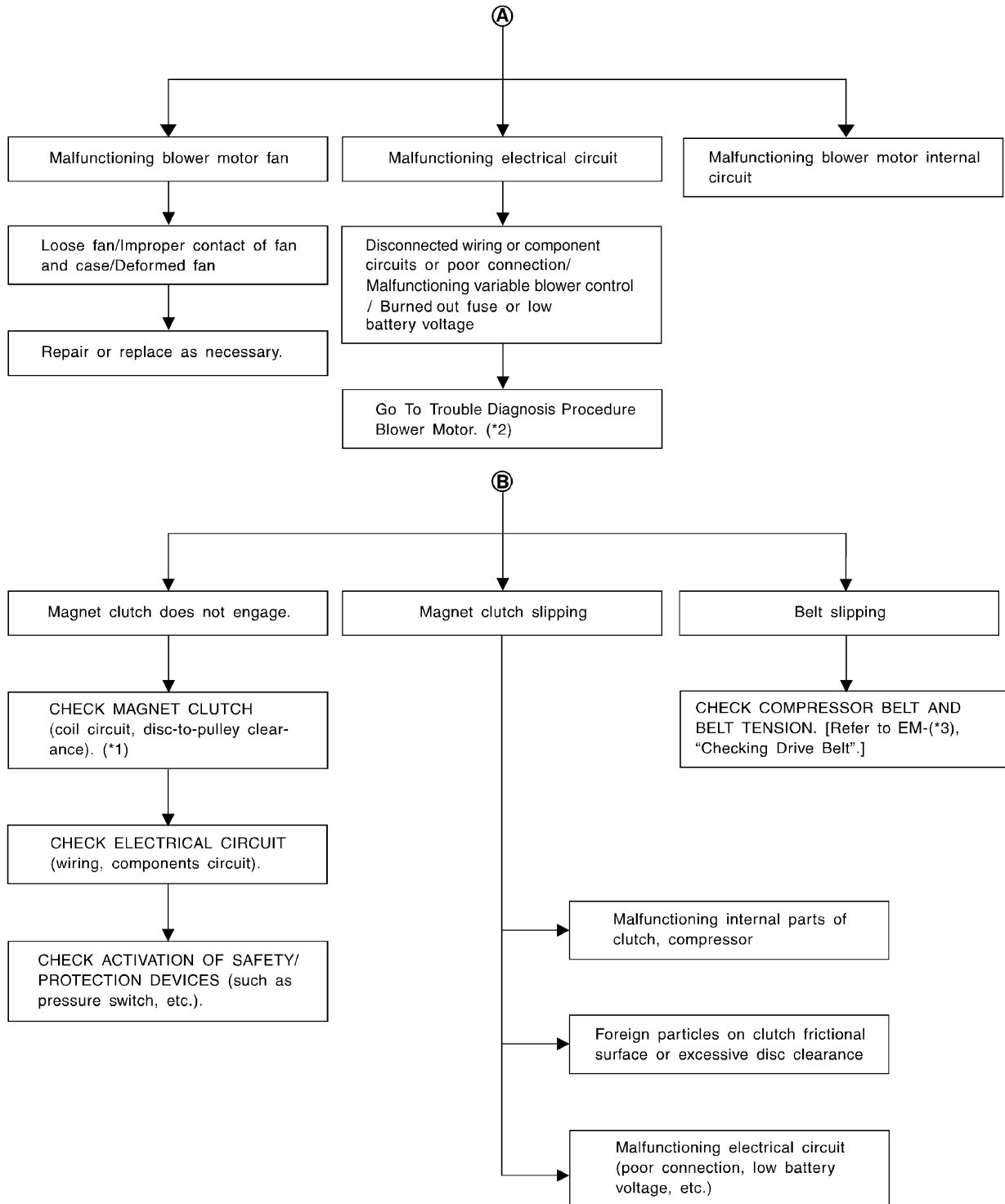
*2 [ATC-105, "PERFORMANCE CHART"](#).

*3 [ATC-106, "Trouble Diagnoses for Unusual Pressure"](#).

*4 [ATC-63, "Air Mix Door Motor Circuit"](#).

RJIA1601E

TROUBLE DIAGNOSIS



WJIA1371E

*1 [ATC-159, "Removal and Installation for Compressor Clutch".](#)

*2 [ATC-75, "Front Blower Motor Circuit".](#)




*3 [MA-13, "Checking Drive Belts".](#)

TROUBLE DIAGNOSIS

PERFORMANCE CHART

Test Condition

Testing must be performed as follows:

Vehicle location	Indoors or in the shade (in a well-ventilated place)
Doors	Closed
Door window	Open
Hood	Open
TEMP.	Max. COLD
Mode switch	 (Ventilation) set
Recirculation (REC) switch	 (Recirculation) set
 Blower speed	Max. speed set
Engine speed	Idle speed

Operate the air conditioning system for 10 minutes before taking measurements.

Test Reading

Recirculating-to-discharge Air Temperature Table

Inside air (Recirculating air) at blower assembly inlet		Discharge air temperature at center ventilator °C (°F)
Relative humidity %	Air temperature °C (°F)	
50 - 60	20 (68)	5.3 - 6.5 (42 - 44)
	25 (77)	9.7 - 11.5 (49 - 53)
	30 (86)	13.8 - 16.3 (57 - 61)
	35 (95)	18.0 - 21.2 (64 - 70)
	40 (104)	22.2 - 25.7 (72 - 78)
60 - 70	20 (68)	6.5 - 7.7 (44 - 46)
	25 (77)	11.5 - 13.3 (53 - 56)
	30 (86)	16.3 - 18.8 (61 - 66)
	35 (95)	21.2 - 24.0 (70 - 75)
	40 (104)	25.7 - 29.2 (78 - 85)

Ambient Air Temperature-to-operating Pressure Table

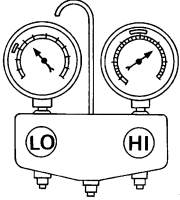
Ambient air		High-pressure (Discharge side) kPa (kg/cm ² , psi)	Low-pressure (Suction side) kPa (kg/cm ² , psi)
Relative humidity %	Air temperature °C (°F)		
50 - 70	20 (68)	680 - 840 (6.94 - 8.57, 98.6 - 121.8)	160 - 198 (1.63 - 2.02, 23.2 - 28.7)
	25 (77)	800 - 985 (8.16 - 10.05, 116.0 - 142.8)	198 - 245 (2.02 - 2.50, 28.7 - 35.5)
	30 (86)	940 - 1,150 (9.59 - 11.73, 136.3 - 166.8)	225 - 278 (2.30 - 2.84, 32.6 - 40.3)
	35 (95)	1,160 - 1,410 (11.83 - 14.38, 168.2 - 204.5)	273 - 335 (2.78 - 3.42, 39.6 - 48.6)
	40 (104)	1,325 - 1,620 (13.52 - 16.52, 192.1 - 234.9)	325 - 398 (3.32 - 4.06, 47.1 - 57.7)

TROUBLE DIAGNOSIS

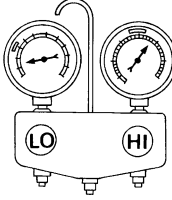
TROUBLE DIAGNOSES FOR UNUSUAL PRESSURE

Whenever system's high and/or low side pressure is unusual, diagnose using a manifold gauge. The marker above the gauge scale in the following tables indicates the standard (usual) pressure range. Since the standard (usual) pressure, however, differs from vehicle to vehicle, refer to above table (Ambient air temperature-to-operating pressure table).

Both High- and Low-pressure Sides are Too High

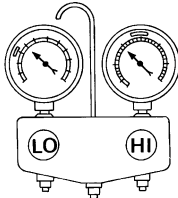
Gauge indication	Refrigerant cycle	Probable cause	Corrective action
<p>Both high- and low-pressure sides are too high.</p>  <p style="text-align: right; font-size: small;">AC359A</p>	Pressure is reduced soon after water is splashed on condenser.	Excessive refrigerant charge in refrigeration cycle	Reduce refrigerant until specified pressure is obtained.
	Air suction by cooling fan is insufficient.	Insufficient condenser cooling performance ↓ 1. Condenser fins are clogged. 2. Improper fan rotation of cooling fan	<ul style="list-style-type: none"> ● Clean condenser. ● Check and repair cooling fan if necessary.
	<ul style="list-style-type: none"> ● Low-pressure pipe is not cold. ● When compressor is stopped high-pressure value quickly drops by approximately 196 kPa (2 kg/cm², 28 psi). It then decreases gradually thereafter. 	Poor heat exchange in condenser (After compressor operation stops, high-pressure decreases too slowly.) ↓ Air in refrigeration cycle	Evacuate repeatedly and recharge system.
	Engine tends to overheat.	Engine cooling systems malfunction.	Check and repair engine cooling system.
	<ul style="list-style-type: none"> ● An area of the low-pressure pipe is colder than areas near the evaporator outlet. ● Plates are sometimes covered with frost. 	<ul style="list-style-type: none"> ● Excessive liquid refrigerant on low-pressure side ● Excessive refrigerant discharge flow ● Expansion valve is open a little compared with the specification. ↓ Improper expansion valve adjustment	Replace expansion valve.

High-pressure Side is Too High and Low-pressure Side is Too Low

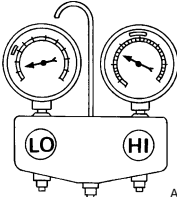
Gauge indication	Refrigerant cycle	Probable cause	Corrective action
<p>High-pressure side is too high and low-pressure side is too low.</p>  <p style="text-align: right; font-size: small;">AC360A</p>	Upper side of condenser and high-pressure side are hot, however, liquid tank is not so hot.	High-pressure tube or parts located between compressor and condenser are clogged or crushed.	<ul style="list-style-type: none"> ● Check and repair or replace malfunctioning parts. ● Check lubricant for contamination.

TROUBLE DIAGNOSIS

High-pressure Side is Too Low and Low-pressure Side is Too High

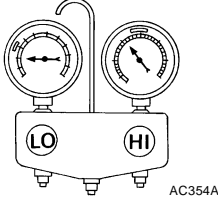
Gauge indication	Refrigerant cycle	Probable cause	Corrective action
High-pressure side is too low and low-pressure side is too high.  AC356A	High- and low-pressure sides become equal soon after compressor operation stops.	Compressor pressure operation is improper. ↓ Damaged inside compressor packings.	Replace compressor.
	No temperature difference between high- and low-pressure sides.	Compressor pressure operation is improper. ↓ Damaged inside compressor packings.	Replace compressor.

Both High- and Low-pressure Sides are Too Low

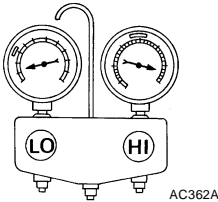
Gauge indication	Refrigerant cycle	Probable cause	Corrective action
Both high- and low-pressure sides are too low.  AC353A	<ul style="list-style-type: none"> There is a big temperature difference between liquid tank outlet and inlet. Outlet temperature is extremely low. Liquid tank inlet and expansion valve are frosted. 	Liquid tank inside is slightly clogged.	<ul style="list-style-type: none"> Replace liquid tank. Check lubricant for contamination.
	<ul style="list-style-type: none"> Temperature of expansion valve inlet is extremely low as compared with areas near liquid tank. Expansion valve inlet may be frosted. Temperature difference occurs somewhere in high-pressure side. 	High-pressure pipe located between liquid tank and expansion valve is clogged.	<ul style="list-style-type: none"> Check and repair malfunctioning parts. Check lubricant for contamination.
	Expansion valve and liquid tank are warm or only cool when touched.	Low refrigerant charge. ↓ Leaking fittings or components.	Check refrigerant system for leaks. Refer to ATC-170, "Checking for Refrigerant Leaks" .
	There is a big temperature difference between expansion valve inlet and outlet while the valve itself is frosted.	Expansion valve closes a little compared with the specification. ↓ 1. Improper expansion valve adjustment. 2. Malfunctioning expansion valve. 3. Outlet and inlet may be clogged.	<ul style="list-style-type: none"> Remove foreign particles by using compressed air. Check lubricant for contamination.
	An area of the low-pressure pipe is colder than areas near the evaporator outlet.	Low-pressure pipe is clogged or crushed.	<ul style="list-style-type: none"> Check and repair malfunctioning parts. Check lubricant for contamination.
	Air flow volume is too low.	Evaporator is frozen.	<ul style="list-style-type: none"> Check intake sensor circuit. Refer to ATC-125, "Intake Sensor Circuit" . Replace compressor. Repair evaporator fins. Replace evaporator. Refer to ATC-75, "Front Blower Motor Circuit" .

TROUBLE DIAGNOSIS

Low-pressure Side Sometimes Becomes Negative

Gauge indication	Refrigerant cycle	Probable cause	Corrective action
<p>Low-pressure side sometimes becomes negative.</p>  <p style="text-align: right; font-size: small;">AC354A</p>	<ul style="list-style-type: none"> ● Air conditioning system does not function and does not cyclically cool the compartment air. ● The system constantly functions for a certain period of time after compressor is stopped and restarted. 	<p>Refrigerant does not discharge cyclically.</p> <p>↓</p> <p>Moisture is frozen at expansion valve outlet and inlet.</p> <p>↓</p> <p>Water is mixed with refrigerant.</p>	<ul style="list-style-type: none"> ● Drain water from refrigerant or replace refrigerant. ● Replace liquid tank.

Low-pressure Side Becomes Negative

Gauge indication	Refrigerant cycle	Probable cause	Corrective action
<p>Low-pressure side becomes negative.</p>  <p style="text-align: right; font-size: small;">AC362A</p>	<p>Liquid tank or front/rear side of expansion valve's pipe is frosted or dewed.</p>	<p>High-pressure side is closed and refrigerant does not flow.</p> <p>↓</p> <p>Expansion valve or liquid tank is frosted.</p>	<p>Leave the system at rest until no frost is present. Start it again to check whether or not the malfunction is caused by water or foreign particles.</p> <ul style="list-style-type: none"> ● If water is the cause, initially cooling is okay. Then the water freezes causing a blockage. Drain water from refrigerant or replace refrigerant. ● If due to foreign particles, remove expansion valve and remove the particles with dry and compressed air (not shop air). ● If either of the above methods cannot correct the malfunction, replace expansion valve. ● Replace liquid tank. ● Check lubricant for contamination.

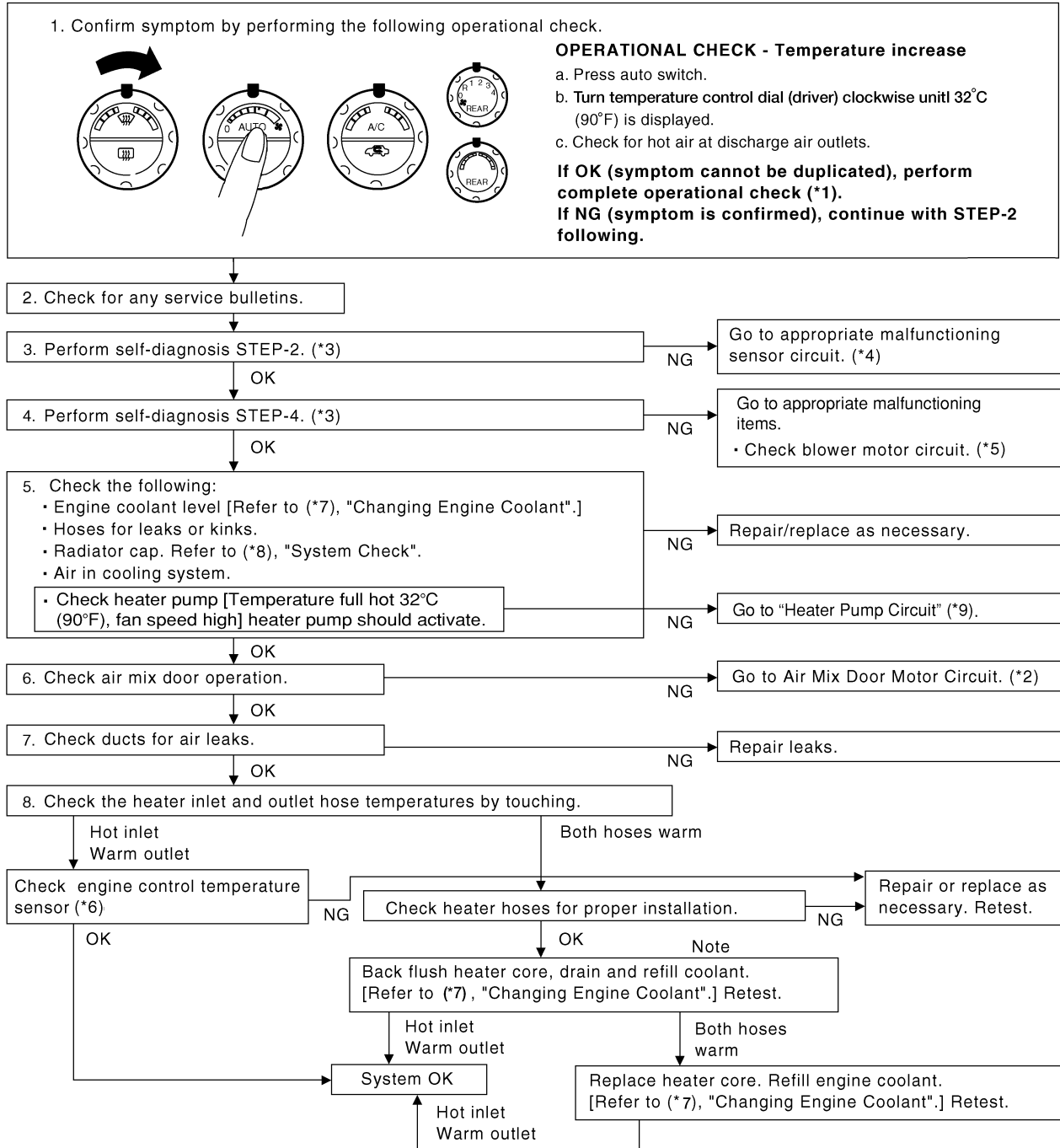
TROUBLE DIAGNOSIS

EJS0052R

Insufficient Heating

SYMPTOM: Insufficient heating

INSPECTION FLOW



*1 [.ATC-52, "Operational Check \(Front\)"](#) or [ATC-55, "Operational Check \(Rear\)"](#)

*4 [ATC-51, "SELF-DIAGNOSIS CODE CHART"](#)

*7 [MA-13, "Changing Engine Coolant"](#)

*2 [ATC-63, "Air Mix Door Motor Circuit"](#)

*5 [ATC-75, "Front Blower Motor Circuit"](#)

*8 [CO-10, "CHECKING RESERVOIR CAP"](#)

*3 [ATC-50, "A/C System Self-diagnosis Function \(With NAVI\)"](#)

*6 [EC-204, "DTC P0117, P0118 ECT SENSOR"](#)

*9 [ATC-110, "Heater Pump Circuit"](#)

WJIA1880E

TROUBLE DIAGNOSIS

EJS0052S

Heater Pump Circuit SYSTEM DESCRIPTION

Component Parts

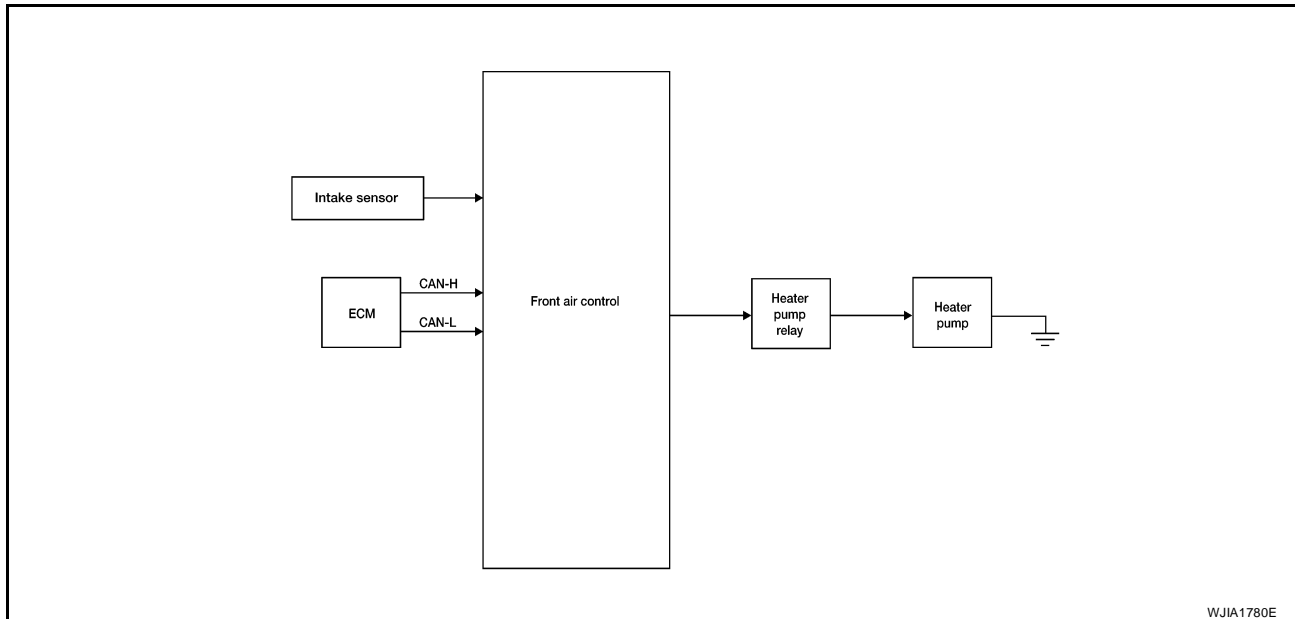
Heater pump control system components are:

- Front air control
- Heater pump relay
- Heater pump
- Intake sensor

System Operation

The heater pump improves heater performance specifically at idle conditions. It is designed to operate in either of the following 2 situations:

1. Front blower motor set to maximum speed and temperature control dial (driver or passenger) set to full hot 32° C (90° F) or
2. Engine coolant temperature (signal via CAN communication) minus heater core outlet temperature (intake sensor input to front air control) is greater than 20° C (68° F). If the difference is less than 16° C (61° F), the heater pump will not operate unless the conditions in item No. 1 above are met.



TROUBLE DIAGNOSIS

DIAGNOSTIC PROCEDURE FOR HEATER PUMP CIRCUIT

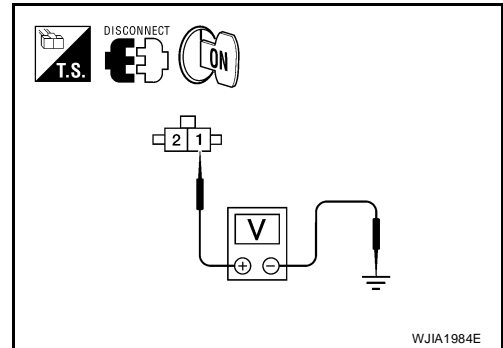
1. CHECK POWER SUPPLY TO HEATER PUMP

1. Disconnect heater pump connector.
2. Turn ignition switch ON.
3. Set front blower motor to maximum speed.
4. Turn temperature control dial (passenger or driver) to full hot 32° C (90° F).
5. Check voltage between heater pump harness connector E141 terminal 1 and ground.

1 - Ground : **Battery voltage**

OK or NG

- OK >> GO TO 2.
NG >> GO TO 3.



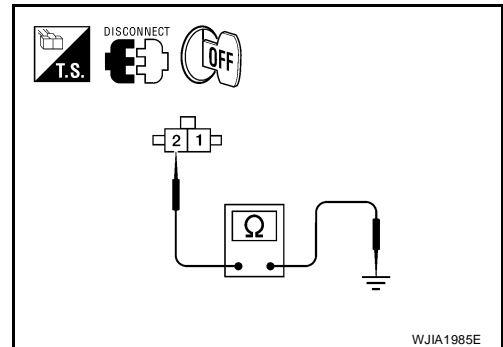
2. CHECK HEATER PUMP GROUND

1. Turn ignition switch OFF.
2. Check continuity between heater pump harness connector E141 terminal 2 and ground.

2 - Ground : **Continuity should exist.**

OK or NG

- OK >> Replace heater pump. Refer to [ATC-142, "HEATER PUMP"](#).
NG >> Repair harness or connector.



3. CHECK HEATER PUMP RELAY

1. Turn ignition switch OFF.
2. Check heater pump relay. Refer to [ATC-112, "Heater Pump Relay"](#).

OK or NG

- OK >> GO TO 4.
NG >> Replace heater pump relay.

4. CHECK RELAY POWER SUPPLY

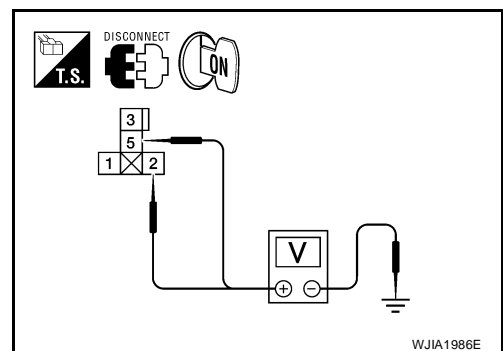
1. Turn ignition switch ON.
2. Check voltage between heater pump relay harness connector E144 terminals 2, 5 and ground.

2 - Ground : **Battery voltage**

5 - Ground : **Battery voltage**

OK or NG

- OK >> GO TO 5.
NG >> Repair harness or connector.



TROUBLE DIAGNOSIS

5. CHECK HEATER PUMP MOTOR POWER CIRCUIT

1. Turn ignition switch OFF.
2. Check continuity between heater pump relay harness connector (A) E144 terminal 3 and heater pump harness connector (B) E141 terminal 1.

3 - 1 : Continuity should exist.

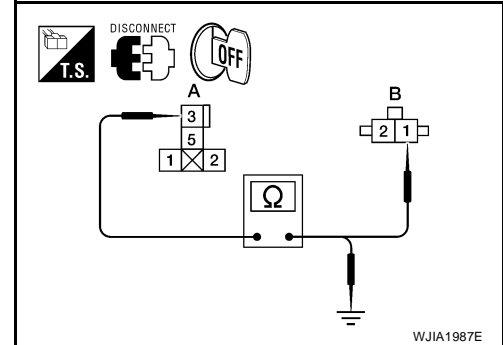
3. Check continuity between heater pump relay harness connector (A) E144 terminal 3 and ground.

3 - Ground : Continuity should not exist.

OK or NG

OK >> GO TO 6.

NG >> Repair harness or connector.



6. CHECK CIRCUIT BETWEEN HEATER PUMP RELAY AND FRONT AIR CONTROL

1. Disconnect front air control connector.
2. Check continuity between front air control harness connector (A) M50 terminal 44 and heater pump relay harness connector (B) E144 terminal 1.

1 - 44 : Continuity should exist.

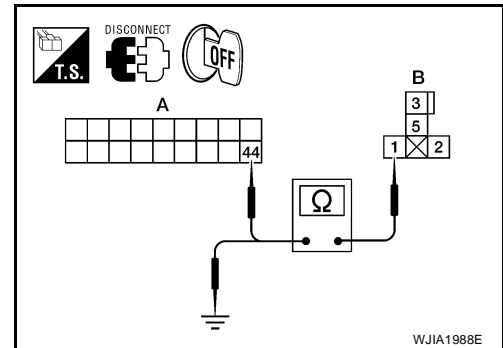
3. Check continuity between heater pump relay harness connector (B) E144 terminal 1 and ground.

1 - Ground : Continuity should not exist.

OK or NG

OK >> Replace front air control. Refer to [ATC-127, "FRONT AIR CONTROL"](#).

NG >> Repair harness or connector.



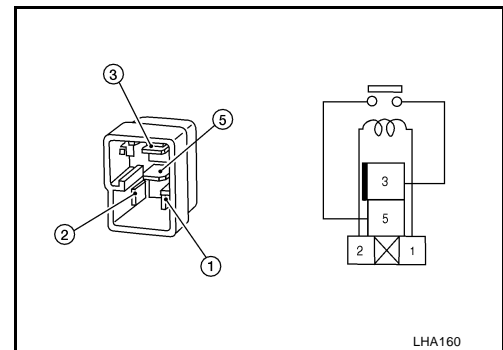
COMPONENT INSPECTION

Heater Pump Relay

Check continuity between terminals 3 and 5.

Conditions	Continuity
12V direct current supply between terminals 1 and 2	Yes
No current supply	No

If NG, replace relay.



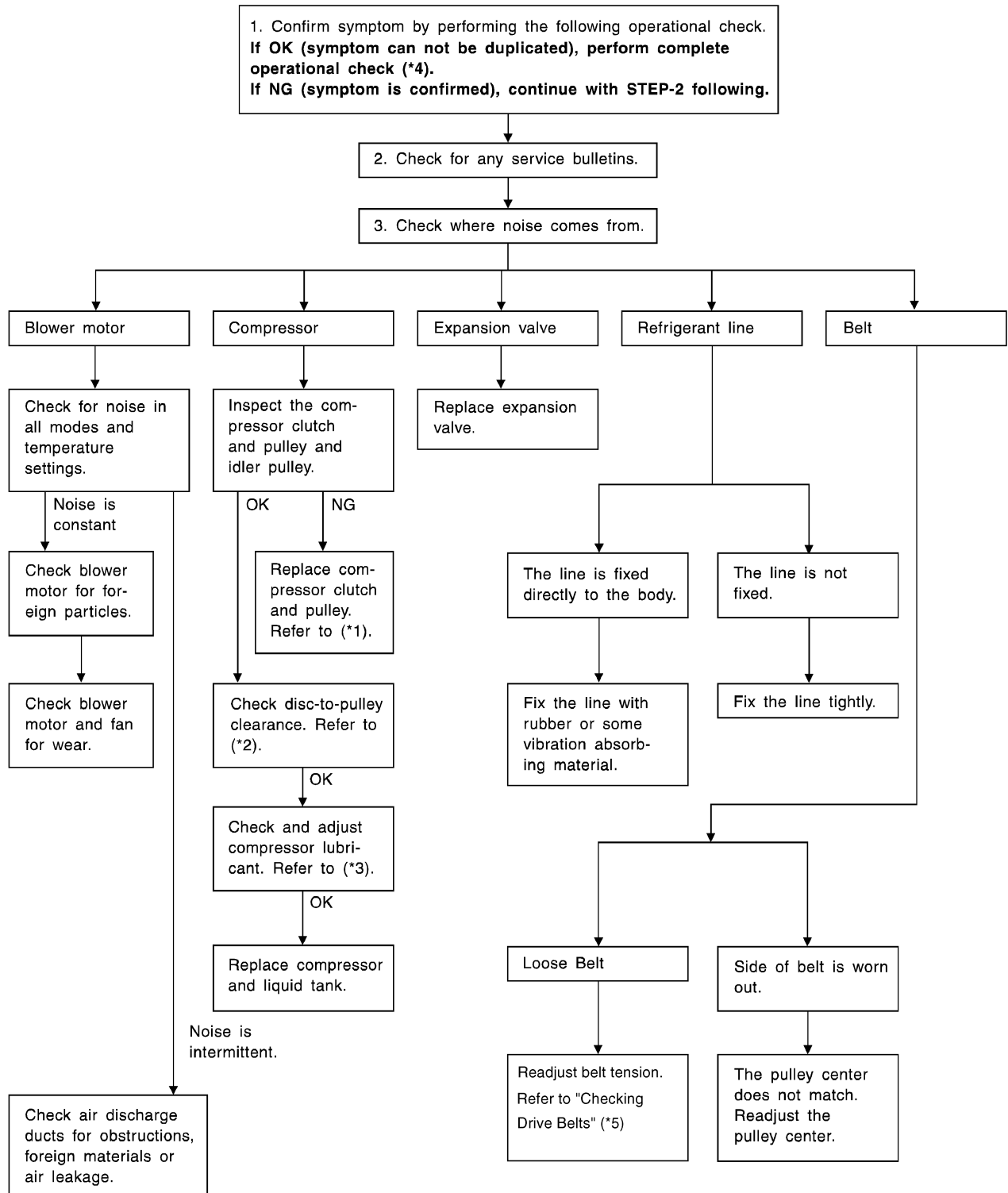
TROUBLE DIAGNOSIS

EJS002XD

Noise

SYMPTOM: Noise

INSPECTION FLOW



A
B
C
D
E
F
G
H
I
K
L
M

ATC

WJIA0473E

TROUBLE DIAGNOSIS

*1 [ATC-159, "REMOVAL"](#).

*2 [ATC-160, "INSTALLATION"](#).

*3 [ATC-22, "Maintenance of Lubricant Quantity in Compressor"](#).

*4 [ATC-52, "Operational Check \(Front\)"](#)
or [ATC-55, "Operational Check \(Rear\)"](#) .

*5 [MA-13, "Checking Drive Belts"](#).

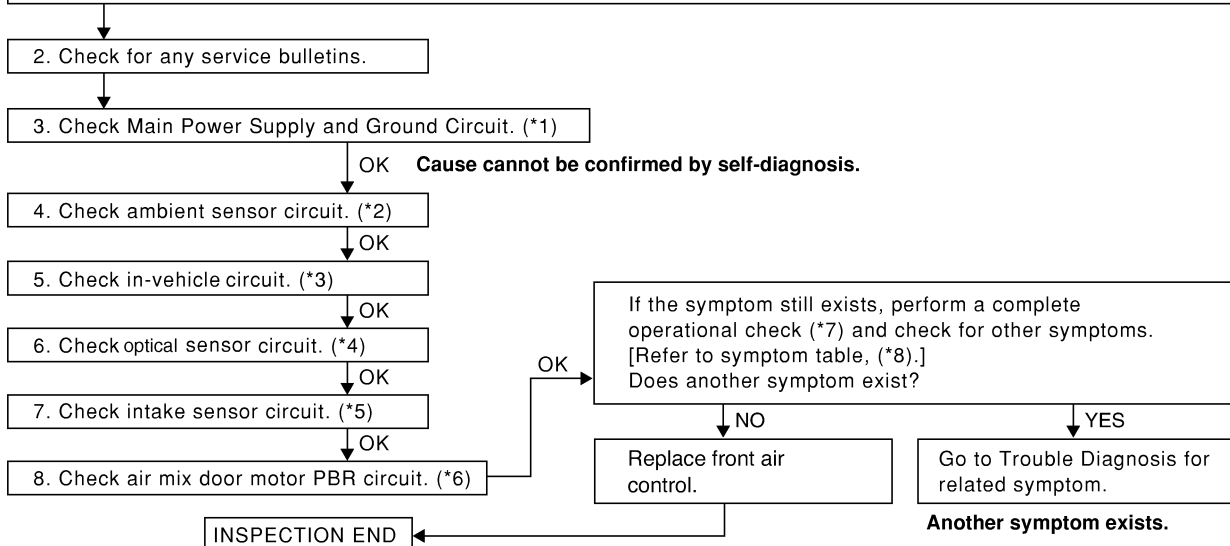
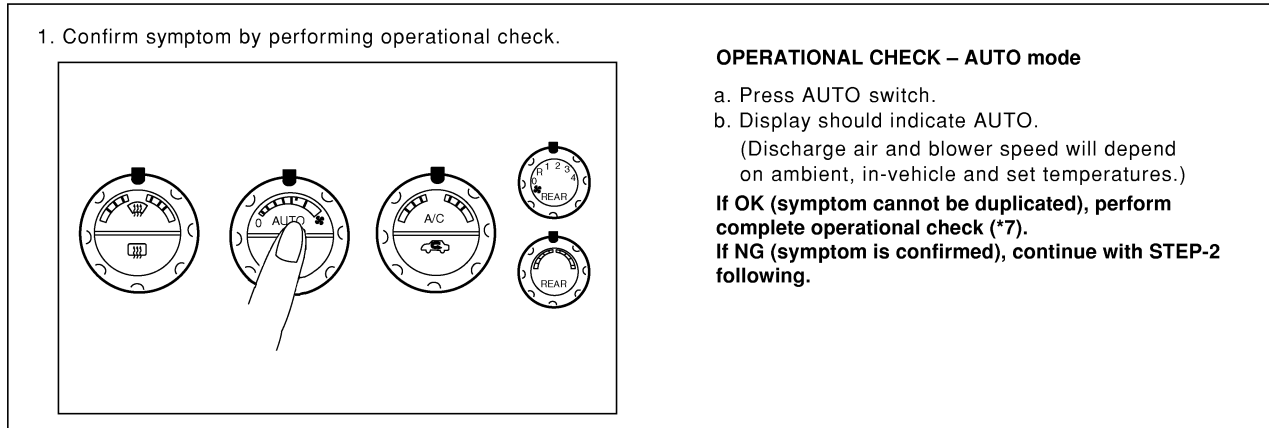
TROUBLE DIAGNOSIS

EJS002XE

Self-diagnosis

SYMPTOM: Self-diagnosis cannot be performed.

INSPECTION FLOW



*1 [ATC-56, "Power Supply and Ground Circuit for Front Air Control".](#)

*2 [ATC-117, "Ambient Sensor 1 Circuit".](#)

*3 [ATC-120, "In-vehicle Sensor Circuit".](#)

*4 [ATC-123, "Optical Sensor Circuit".](#)

*5 [ATC-125, "Intake Sensor Circuit".](#)

*6 [ATC-63, "Air Mix Door Motor Circuit".](#)

*7 [ATC-52, "Operational Check \(Front\)".](#)

*8 [ATC-35, "SYMPTOM TABLE".](#)

WJIA1063E

A
B
C
D
E
F
G
H
I
K
L
M

ATC

TROUBLE DIAGNOSIS

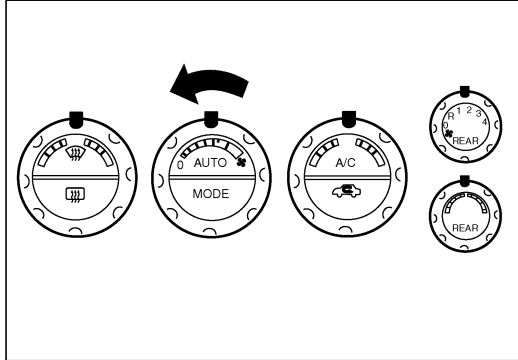
EJS002XF

Memory Function

SYMPTOM: Memory function does not operate.

INSPECTION FLOW

1. Confirm symptom by performing the following operational check.

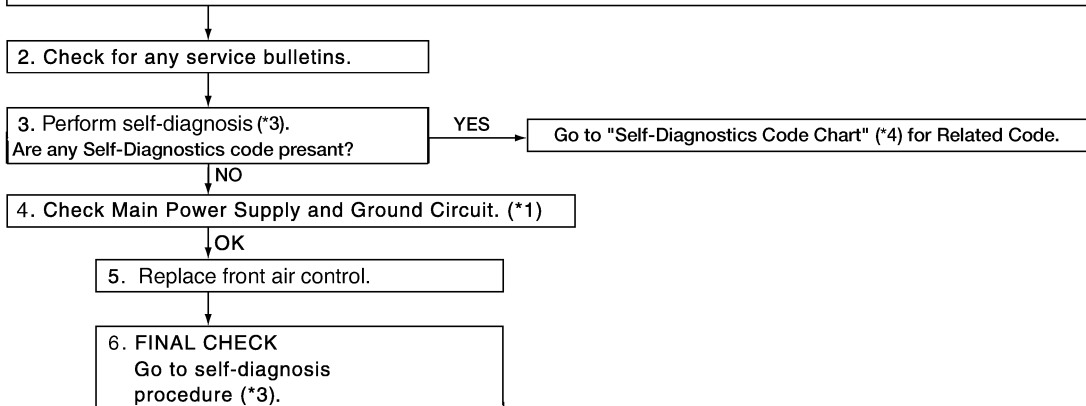


OPERATIONAL CHECK – Memory function

- Set the temperature to 32°C (90°F)
- Rotate the front blower control dial (driver side) to turn system off.
- Turn the ignition off.
- Turn the ignition on.
- Press the AUTO switch.
- Confirm that the set temperature remains at previous temperature.
- Press OFF switch.

If OK (symptom cannot be duplicated), perform complete operational check (*2).

If NG (symptom is confirmed), continue with STEP-2 following.



WJIA1287E

*1 [ATC-56, "Power Supply and Ground Circuit for Front Air Control"](#).

*2 [ATC-52, "Operational Check \(Front\)"](#).

*3 [ATC-50, "A/C System Self-diagnosis Function \(With NAVI\)"](#).

*4 [ATC-51, "SELF-DIAGNOSIS CODE CHART"](#).

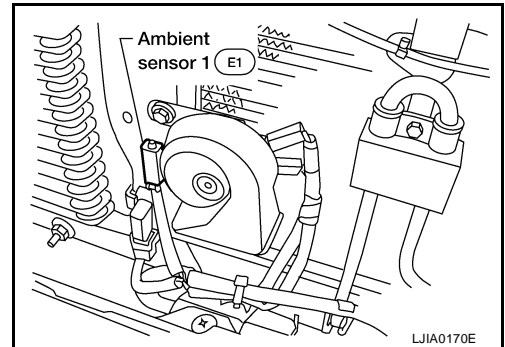
TROUBLE DIAGNOSIS

EJS002XH

Ambient Sensor 1 Circuit COMPONENT DESCRIPTION

Ambient Sensor 1

Ambient sensor 1 is attached to the radiator core support (left side). It detects ambient temperature and converts it into a resistance value which is then input into the front air control.



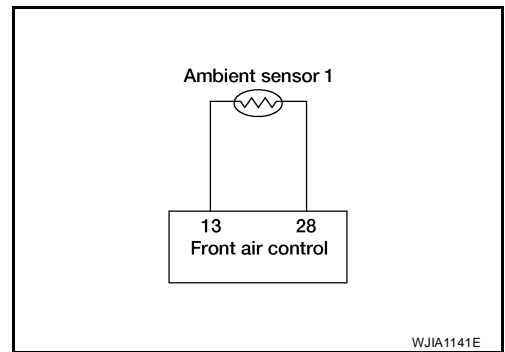
AMBIENT TEMPERATURE INPUT PROCESS

The front air control includes a processing circuit for ambient sensor 1 input. However, when the temperature detected by ambient sensor 1 increases quickly, the processing circuit retards the front air control function. It only allows the front air control to recognize an ambient temperature increase of 0.33°C (0.6°F) per 100 seconds.

This prevents constant adjustments due to momentary conditions, such as stopping after high speed driving. Although the actual ambient temperature has not changed, the temperature detected by ambient sensor 1 will increase. This is because the heat from the engine compartment can radiate to the front grille area, location of ambient sensor 1.

DIAGNOSTIC PROCEDURE FOR AMBIENT SENSOR 1

SYMPTOM: Ambient sensor 1 circuit is open or shorted. [40 or 41 is indicated on the navi screen (only if equipped) as a result of conducting the front air control self-diagnosis].



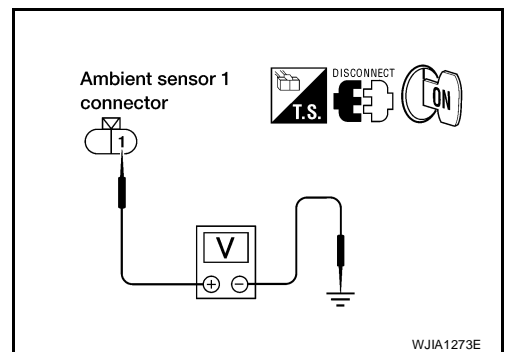
1. CHECK VOLTAGE BETWEEN AMBIENT SENSOR 1 AND GROUND

1. Disconnect ambient sensor 1 connector.
2. Turn ignition switch ON.
3. Check voltage between ambient sensor 1 harness connector E1 terminal 1 and ground.

1 - Ground : Approx. 5V

OK or NG

- OK >> GO TO 2.
- NG >> GO TO 4.



A
B
C
D
E
F
G
H
I
K
L
M

ATC

TROUBLE DIAGNOSIS

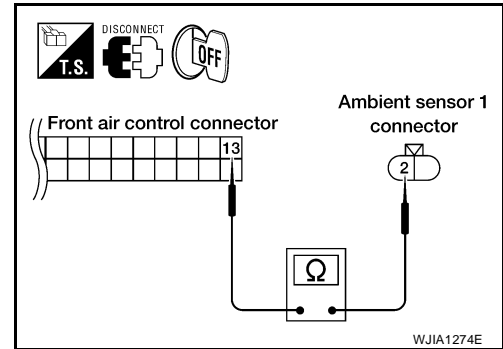
2. CHECK CIRCUIT CONTINUITY BETWEEN AMBIENT SENSOR 1 AND FRONT AIR CONTROL

1. Turn ignition switch OFF.
2. Disconnect front air control connector.
3. Check continuity between ambient sensor 1 harness connector E1 terminal 2 and front air control harness connector M49 terminal 13.

2 - 13 : Continuity should exist.

OK or NG

- OK >> GO TO 3.
- NG >> Repair harness or connector.



3. CHECK AMBIENT SENSOR 1

Refer to [ATC-119, "Ambient Sensor 1"](#) .

OK or NG

- OK >> 1. Replace front air control.
 2. Go to self-diagnosis [ATC-50, "A/C System Self-diagnosis Function \(With NAVI\)"](#) and perform self-diagnosis.
- NG >> 1. Replace ambient sensor 1.
 2. Go to self-diagnosis [ATC-50, "A/C System Self-diagnosis Function \(With NAVI\)"](#) and perform self-diagnosis.

4. CHECK CIRCUIT CONTINUITY BETWEEN AMBIENT SENSOR 1 AND FRONT AIR CONTROL

1. Turn ignition switch OFF.
2. Disconnect front air control connector.
3. Check continuity between ambient sensor 1 harness connector E1 terminal 1 and front air control harness connector M50 terminal 28.

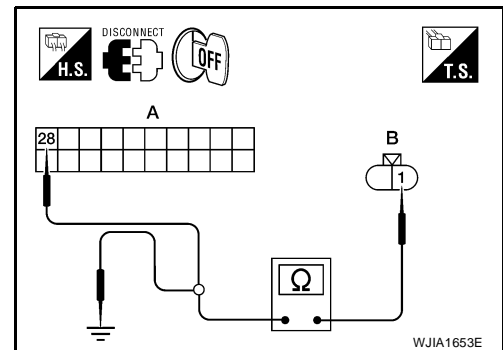
A		B		Continuity
Connector	Terminal	Connector	Terminal	
Front air control: M50	28	Ambient sensor 1: E1	1	Yes

4. Check continuity between ambient sensor 1 harness connector E1 terminal 2 and ground.

B		Ground	Continuity
Connector	Terminal		
Ambient Sensor 1: E1	1		No

OK or NG

- OK >> 1. Replace front air control. Refer to [ATC-127, "FRONT AIR CONTROL"](#) .
 2. Go to self-diagnosis [ATC-50, "A/C System Self-diagnosis Function \(With NAVI\)"](#) and perform self-diagnosis.
- NG >> Repair harness or connector.



TROUBLE DIAGNOSIS

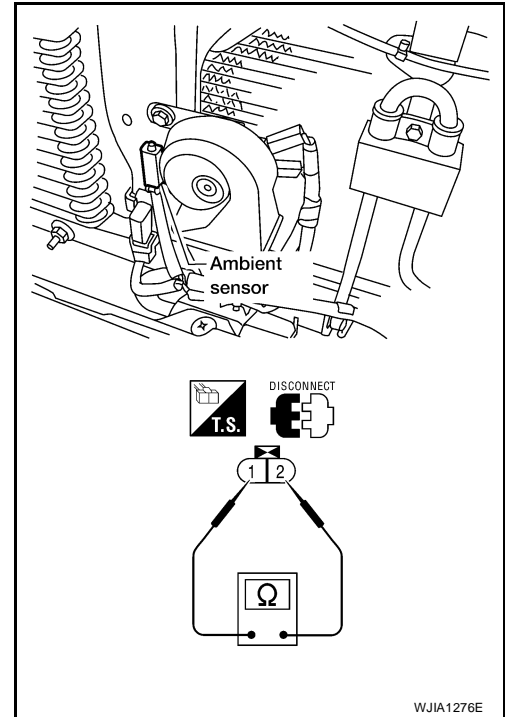
COMPONENT INSPECTION

Ambient Sensor 1

After disconnecting ambient sensor 1 connector E1, measure resistance between terminals 1 and 2 at sensor component side, using the table below.

Temperature °C (°F)	Resistance kΩ
-15 (5)	12.73
-10 (14)	9.92
-5 (23)	7.80
0 (32)	6.19
5 (41)	4.95
10 (50)	3.99
15 (59)	3.24
20 (68)	2.65
25 (77)	2.19
30 (86)	1.81
35 (95)	1.51
40 (104)	1.27
45 (113)	1.07

If NG, replace ambient sensor 1.



A
B
C
D
E
F
G
H
I

ATC

K
L
M

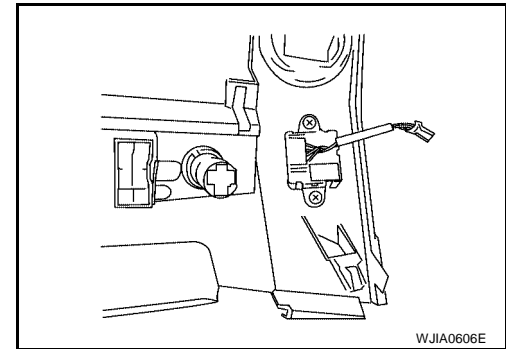
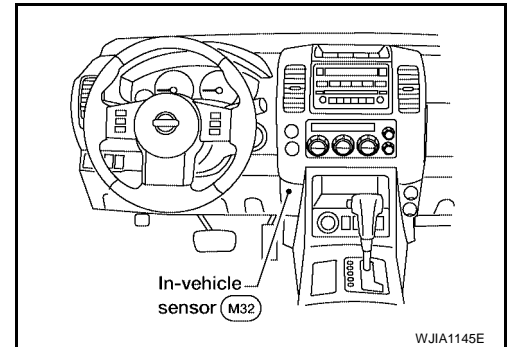
TROUBLE DIAGNOSIS

EJS004PI

In-vehicle Sensor Circuit COMPONENT DESCRIPTION

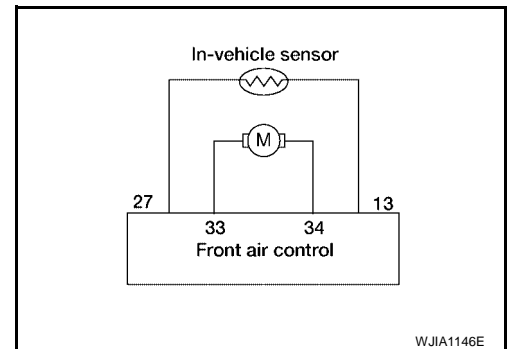
In-vehicle Sensor

The in-vehicle sensor is located on cluster lid D. It converts variations in temperature of passenger compartment air (drawn in through the integrated fan) into a resistance value. It is then input into the front air control.



DIAGNOSTIC PROCEDURE FOR IN-VEHICLE SENSOR

SYMPTOM: In-vehicle sensor circuit is out of range. (30 or 31 is indicated on front air control display as a result of conducting self-diagnosis.)



1. CHECK IN-VEHICLE SENSOR CIRCUIT

Is self-diagnostic codes 30 or 31 present? Refer to [ATC-50, "A/C System Self-diagnosis Function"](#).

YES or NO

- YES >> GO TO 2.
- NO >> GO TO 6.

TROUBLE DIAGNOSIS

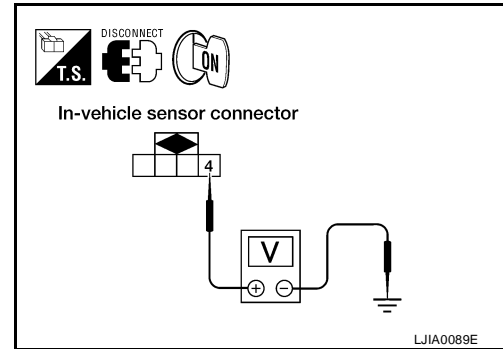
2. CHECK VOLTAGE BETWEEN IN-VEHICLE SENSOR AND GROUND

1. Disconnect in-vehicle sensor connector.
2. Turn ignition switch ON.
3. Check voltage between in-vehicle sensor harness connector M32 terminal 4 and ground.

4 - Ground : **Approx. 5V.**

OK or NG

- OK >> GO TO 3.
NG >> GO TO 5.



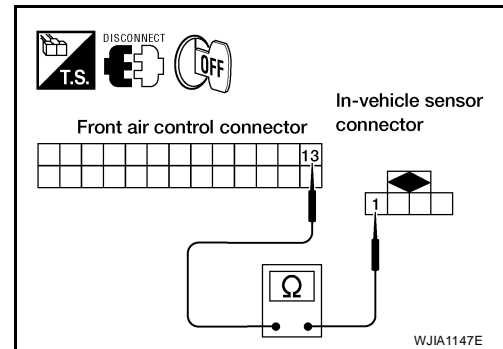
3. CHECK CIRCUIT CONTINUITY BETWEEN IN-VEHICLE SENSOR AND FRONT AIR CONTROL

1. Turn ignition switch OFF.
2. Disconnect front air control connector M49.
3. Check continuity between in-vehicle sensor harness connector M32 terminal 1 and front air control harness connector M49 terminal 13.

1 - 13 : **Continuity should exist.**

OK or NG

- OK >> GO TO 4.
NG >> Repair harness or connector.



4. CHECK IN-VEHICLE SENSOR

Refer to [ATC-122, "In-vehicle Sensor"](#) .

OK or NG

- OK >> 1. Replace front air control. Refer to [ATC-127, "FRONT AIR CONTROL"](#) .
2. Go to [ATC-50, "A/C System Self-diagnosis Function \(With NAVI\)"](#) and perform self-diagnosis.
- NG >> 1. Replace in-vehicle sensor. Refer to [ATC-129, "IN-VEHICLE SENSOR"](#) .
2. Go to [ATC-50, "A/C System Self-diagnosis Function \(With NAVI\)"](#) and perform self-diagnosis.

5. CHECK CIRCUIT CONTINUITY BETWEEN IN-VEHICLE SENSOR AND FRONT AIR CONTROL

1. Turn ignition switch OFF.
2. Disconnect front air control connector.
3. Check continuity between in-vehicle sensor harness connector M32 terminal 4 and front air control harness connector M50 terminal 27.

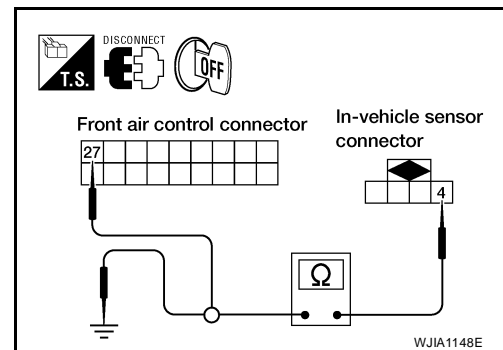
4 - 27 : **Continuity should exist.**

4. Check continuity between in-vehicle sensor harness connector M32 terminal 4 and ground.

4 - Ground : **Continuity should not exist.**

OK or NG

- OK >> 1. Replace front air control. Refer to [ATC-127, "FRONT AIR CONTROL"](#) .
2. Go to self-diagnosis [ATC-50, "A/C System Self-diagnosis Function \(With NAVI\)"](#) and perform self-diagnosis.
- NG >> Repair harness or connector.



TROUBLE DIAGNOSIS

6. CHECK CIRCUIT CONTINUITY BETWEEN IN-VEHICLE SENSOR MOTOR AND FRONT AIR CONTROL

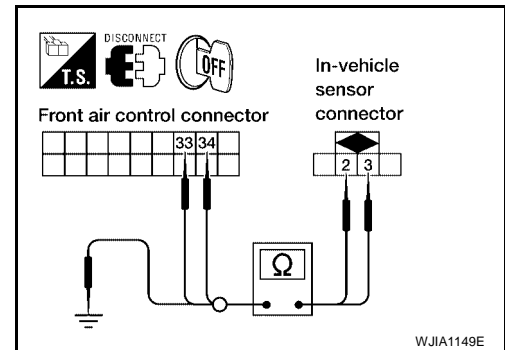
1. Turn ignition switch OFF.
2. Disconnect front air control connector and in-vehicle sensor connector.
3. Check continuity between in-vehicle sensor harness connector M32 terminal 2 and 3 and front air control harness connector M50 terminal 34 and 33.

2 - 34 : Continuity should exist.

3 - 33 : Continuity should exist.

4. Check continuity between in-vehicle sensor harness connector M32 terminal 2 and 3 and ground.

2, 3 - Ground : Continuity should not exist.



OK or NG

- OK >> 1. Replace in-vehicle sensor. Refer to [ATC-129, "IN-VEHICLE SENSOR"](#) .
 2. Go to [ATC-50, "A/C System Self-diagnosis Function"](#) and perform self-diagnosis.
 3. Replace front air control. Refer to [ATC-127, "FRONT AIR CONTROL"](#) .
 4. Go to [ATC-50, "A/C System Self-diagnosis Function"](#) and perform self-diagnosis.

NG >> Repair harness or connector.

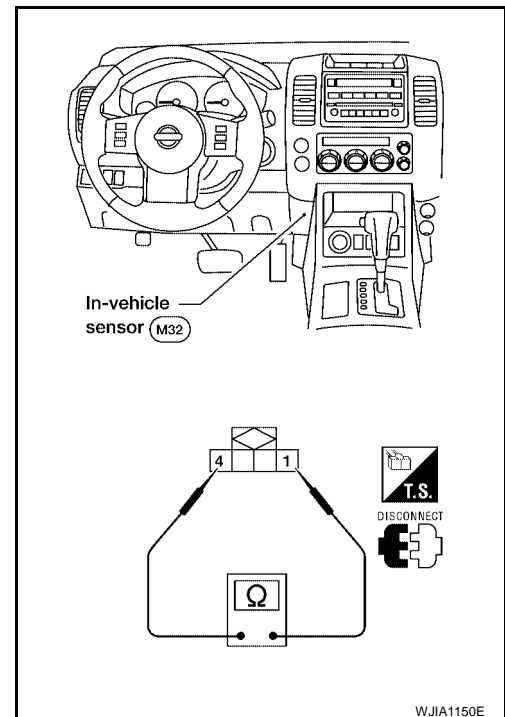
COMPONENT INSPECTION

In-vehicle Sensor

After disconnecting in-vehicle sensor connector M32, measure resistance between terminals 1 and 4 at sensor component side, using the table below.

Temperature °C (°F)	Resistance kΩ
-15 (5)	21.40
-10 (14)	16.15
-5 (23)	12.29
0 (32)	9.41
5 (41)	7.27
10 (50)	5.66
15 (59)	4.45
20 (68)	3.51
25 (77)	2.79
30 (86)	2.24
35 (95)	1.80
40 (104)	1.45
45 (113)	1.18

If NG, replace in-vehicle sensor.

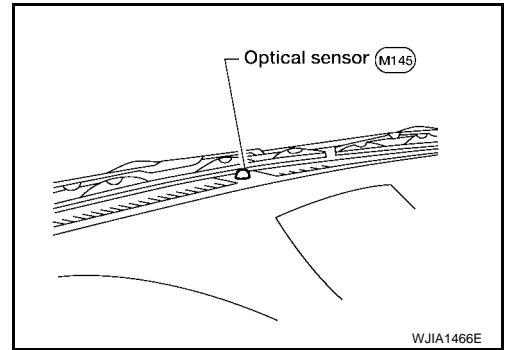


TROUBLE DIAGNOSIS

Optical Sensor Circuit COMPONENT DESCRIPTION

EJS004PJ

The optical sensor is located in the center of the defroster grille. It detects sunload entering through windshield by means of a photo diode. The sensor converts the sunload into a current value which is then input into the front air control.



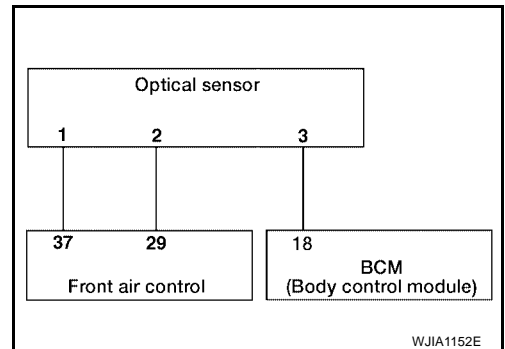
OPTICAL INPUT PROCESS

The front air control includes a processing circuit which averages the variations in detected sunload over a period of time. This prevents adjustments in the ATC system operation due to small or quick variations in detected sunload.

For example, consider driving along a road bordered by an occasional group of large trees. The sunload detected by the optical sensor will vary whenever the trees obstruct the sunlight. The processing circuit averages the detected sunload over a period of time, so that the (insignificant) effect of the trees momentarily obstructing the sunlight does not cause any change in the ATC system operation. On the other hand, shortly after entering a long tunnel, the system will recognize the change in sunload, and the system will react accordingly.

DIAGNOSTIC PROCEDURE FOR OPTICAL SENSOR

SYMPTOM: Optical sensor circuit is open or shorted. (50 or 52 is indicated on front air control display as a result of conducting self-diagnosis).



A
B
C
D
E
F
G
H
I
K
L
M

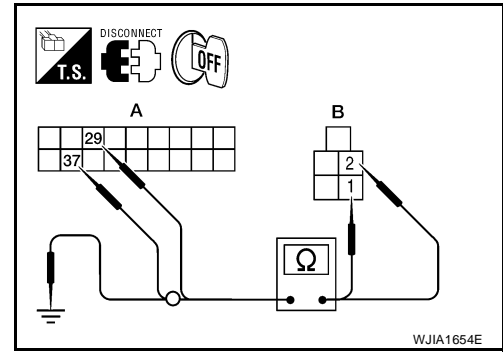
ATC

TROUBLE DIAGNOSIS

1. CHECK CIRCUIT CONTINUITY BETWEEN OPTICAL SENSOR AND FRONT AIR CONTROL

1. Turn ignition switch OFF.
2. Disconnect front air control connector and optical sensor connector.
3. Check continuity between optical sensor harness connector M145 terminal 1 and 2 and front air control harness connector M50 terminal 37 and 29.

A		B		Continuity
Connector	Terminal	Connector	Terminal	
Front air control: M50	29	Optical sensor: M145	2	Yes
Front air control: M50	37	Optical sensor: M145	1	Yes



4. Check continuity between optical sensor harness connector M145 terminal 1 and 2 and ground.

B		Ground	Continuity
Connector	Terminal		
Optical sensor: M145	1	Ground	No
Optical sensor: M145	2		No

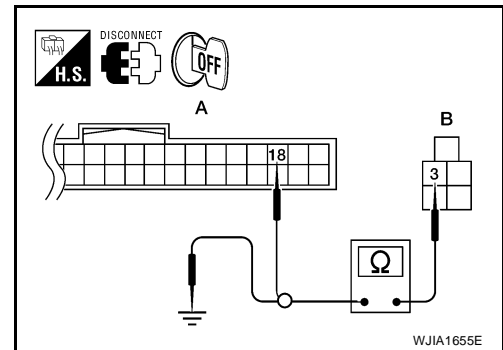
OK or NG

- OK >> GO TO 2.
- NG >> Repair harness or connector.

2. CHECK CIRCUIT CONTINUITY BETWEEN OPTICAL SENSOR AND BCM

1. Turn ignition switch OFF.
2. Disconnect BCM connector and optical sensor connector.
3. Check continuity between optical sensor harness connector M145 terminal 3 and BCM harness connector M18 terminal 18.

A		B		Continuity
Connector	Terminal	Connector	Terminal	
BCM: M18	18	Optical sensor: M145	3	Yes



4. Check continuity between optical sensor harness connector M145 terminal 3 and ground.

B		Ground	Continuity
Connector	Terminal		
Optical Sensor: M145	3	Ground	No

OK or NG

- OK >> Replace optical sensor. Refer to [ATC-130, "OPTICAL SENSOR"](#).
- NG >> Repair harness or connector.

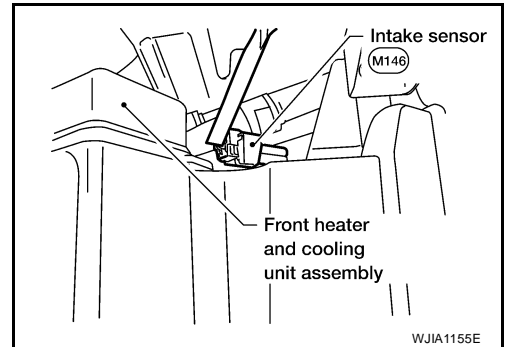
TROUBLE DIAGNOSIS

EJS002XX

Intake Sensor Circuit COMPONENT DESCRIPTION

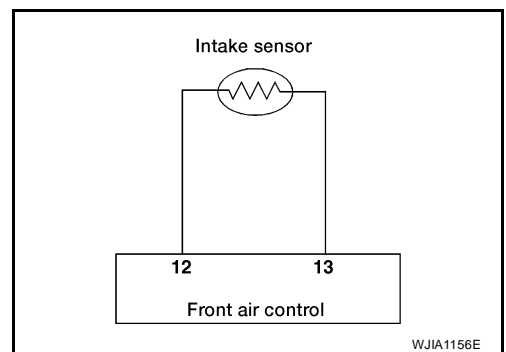
Intake Sensor

The intake sensor is located on the heater & cooling unit. It converts temperature of air after it passes through the evaporator into a resistance value which is then input to the front air control.



DIAGNOSTIC PROCEDURE FOR INTAKE SENSOR

SYMPTOM: Intake sensor circuit is open or shorted. (56 or 57 is indicated on the navi screen (only if equipped) as a result of conducting Self-diagnosis.)



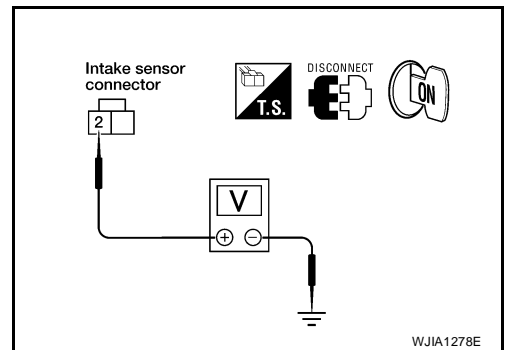
1. CHECK VOLTAGE BETWEEN INTAKE SENSOR AND GROUND

1. Disconnect intake sensor connector.
2. Turn ignition switch ON.
3. Check voltage between intake sensor harness connector M146 terminal 2 and ground.

2 - Ground : Approx. 5V

OK or NG

- OK >> GO TO 2.
- NG >> GO TO 4.



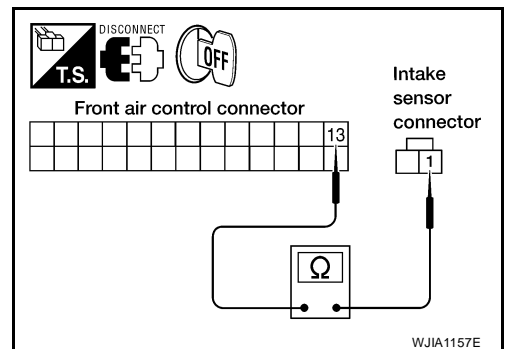
2. CHECK CIRCUIT CONTINUITY BETWEEN INTAKE SENSOR AND FRONT AIR CONTROL

1. Turn ignition switch OFF.
2. Disconnect front air control connector.
3. Check continuity between intake sensor harness connector M146 terminal 1 and front air control harness connector M49 terminal 13.

1 - 13 : Continuity should exist.

OK or NG

- OK >> GO TO 3.
- NG >> Repair harness or connector.



A
B
C
D
E
F
G
H
I
ATC
K
L
M

TROUBLE DIAGNOSIS

3. CHECK INTAKE SENSOR

Refer to [ATC-126, "Intake Sensor"](#) .

OK or NG

- OK >> 1. Replace front air control. Refer to [ATC-127, "FRONT AIR CONTROL"](#) .
 2. Go to self-diagnosis [ATC-50, "A/C System Self-diagnosis Function \(With NAVI\)"](#) and perform self-diagnosis.
- NG >> 1. Replace intake sensor. Refer to [ATC-131, "INTAKE SENSOR"](#) .
 2. Go to self-diagnosis [ATC-50, "A/C System Self-diagnosis Function \(With NAVI\)"](#) and perform self-diagnosis.

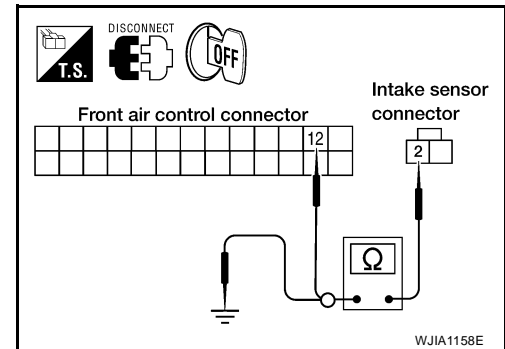
4. CHECK CIRCUIT CONTINUITY BETWEEN INTAKE SENSOR AND FRONT AIR CONTROL

- Turn ignition switch OFF.
- Disconnect front air control connector.
- Check continuity between intake sensor harness connector M146 terminal 2 and front air control harness connector M49 terminal 12.

2 - 12 : Continuity should exist.

- Check continuity between intake sensor harness connector M146 terminal 2 and ground.

2 - Ground : Continuity should not exist.



OK or NG

- OK >> 1. Replace front air control. Refer to [ATC-127, "FRONT AIR CONTROL"](#) .
 2. Go to self-diagnosis [ATC-50, "A/C System Self-diagnosis Function \(With NAVI\)"](#) and perform self-diagnosis.
- NG >> Repair harness or connector.

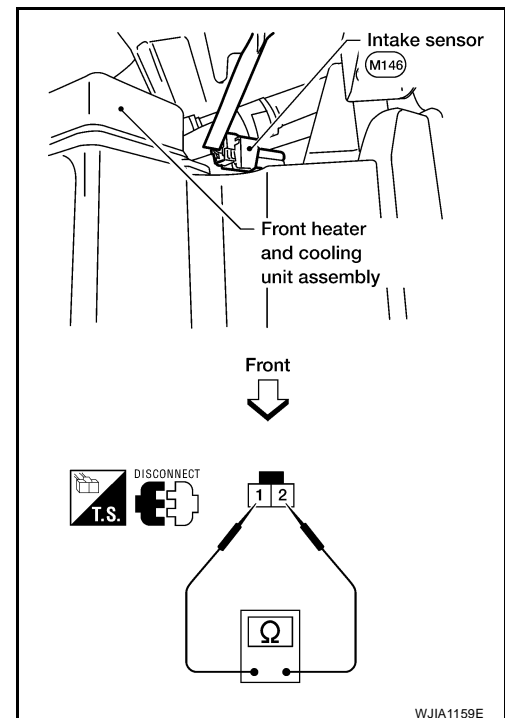
COMPONENT INSPECTION

Intake Sensor

After disconnecting intake sensor connector, measure resistance between terminals 1 and 2 at sensor harness side, using the table below.

Temperature °C (°F)	Resistance kΩ
-15 (5)	209.0
-10 (14)	160.0
-5 (23)	123.0
0 (32)	95.8
5 (41)	74.9
10 (50)	58.9
15 (59)	46.7
20 (68)	37.3
25 (77)	30.0
30 (86)	24.2
35 (95)	19.7
40 (104)	16.1
45 (113)	13.2

If NG, replace intake sensor.



CONTROL UNIT

PFP:27500

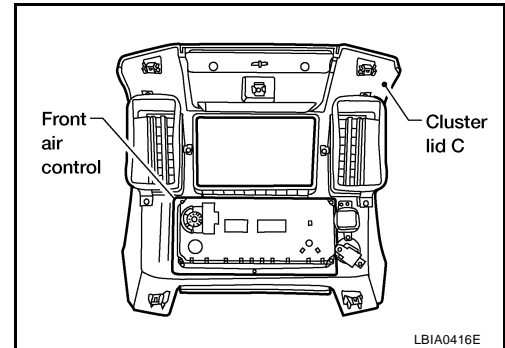
EJS002XL

CONTROL UNIT

Removal and Installation FRONT AIR CONTROL

Removal

1. Remove cluster lid C. Refer to [IP-12, "CLUSTER LID D"](#).
2. Remove the four screws securing the front air control to cluster lid C.
3. Remove the front air control.



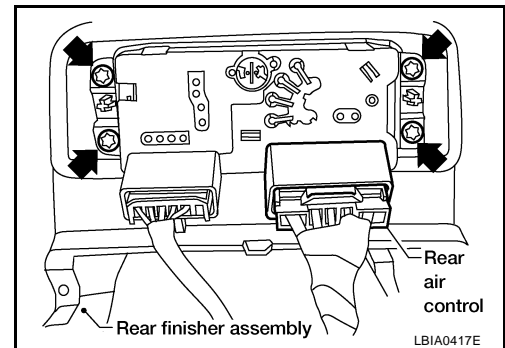
Installation

Installation is in the reverse order of removal.

REAR AIR CONTROL

Removal

1. Remove the rear finisher assembly from the back of the center console. Refer to [IP-15, "CENTER CONSOLE"](#).
2. Remove the four screws and remove the rear air control.



Installation

Installation is in the reverse order of removal.

A
B
C
D
E
F
G
H
I
ATC
K
L
M

AMBIENT SENSOR

AMBIENT SENSOR

PF2:27722

Removal and Installation

EJS002XM

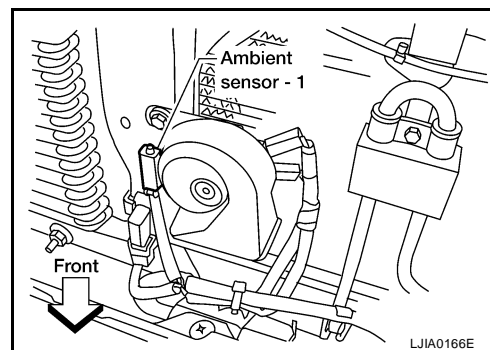
REMOVAL

1. Remove the front grille. Refer to [EI-16, "FRONT GRILLE"](#) .
2. Disconnect the ambient sensor - 1 electrical connector.

NOTE:

The ambient sensor - 1 is located behind the front bumper, in front of the condenser.

3. Release the ambient sensor - 1 clip and then remove the ambient sensor - 1.



INSTALLATION

Installation is in the reverse order of removal.

IN-VEHICLE SENSOR

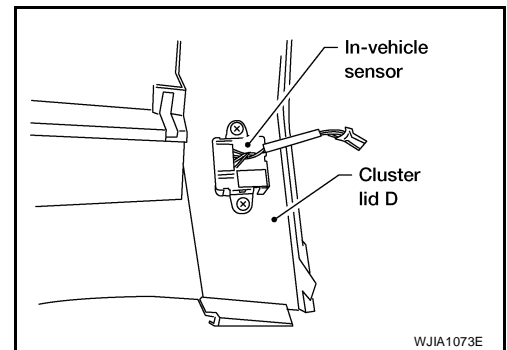
IN-VEHICLE SENSOR

PF2:27720

Removal and Installation

EJS002XN

1. Remove the cluster lid D. Refer to [IP-12, "CLUSTER LID D"](#).
2. Remove the two screws and remove the in-vehicle sensor.



INSTALLATION

Installation is in the reverse order of removal.

A
B
C
D
E
F
G
H
I
K
L
M

ATC

OPTICAL SENSOR

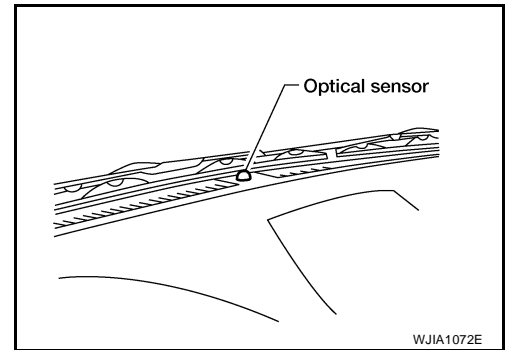
OPTICAL SENSOR

PF2:28576

Removal and Installation

EJS002X0

The optical sensor is located in the top center of the instrument panel. Refer to [LT-62, "Removal and Installation of Optical Sensor"](#) .



INTAKE SENSOR

INTAKE SENSOR

PF2:27723

Removal and Installation

EJS002XP

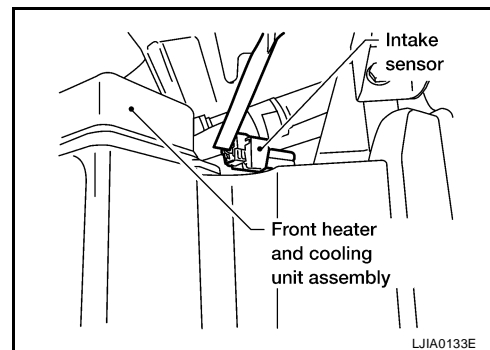
REMOVAL

1. Remove the front kick plate. Refer to [EI-28, "KICK PLATES"](#) .
2. Remove the lower dash side finisher. Refer to [EI-28, "LOWER DASH SIDE FINISHER"](#) .
3. Remove the front pillar lower finisher. Refer to [EI-28, "FRONT PILLAR LOWER FINISHER"](#) .
4. Remove the assist grip handle.
5. Remove the front pillar upper finisher. Refer to [EI-28, "FRONT PILLAR UPPER FINISHER"](#) .
6. Remove the lower glove box. Refer to [IP-14, "LOWER INSTRUMENT PANEL RH AND GLOVE BOX"](#) .
7. Remove the upper glove box (cluster lid E). Refer to [IP-10, "INSTRUMENT PANEL"](#) .
8. Disconnect the intake sensor electrical connector.

NOTE:

The intake sensor is located on the top of the front heater and cooling unit assembly next to the A/C evaporator cover.

9. Twist the intake sensor to remove the intake sensor from the front heater and cooling unit assembly.



INSTALLATION

Installation is in the reverse order of removal.

A

B

C

D

E

F

G

H

I

ATC

K

L

M

BLOWER MOTOR

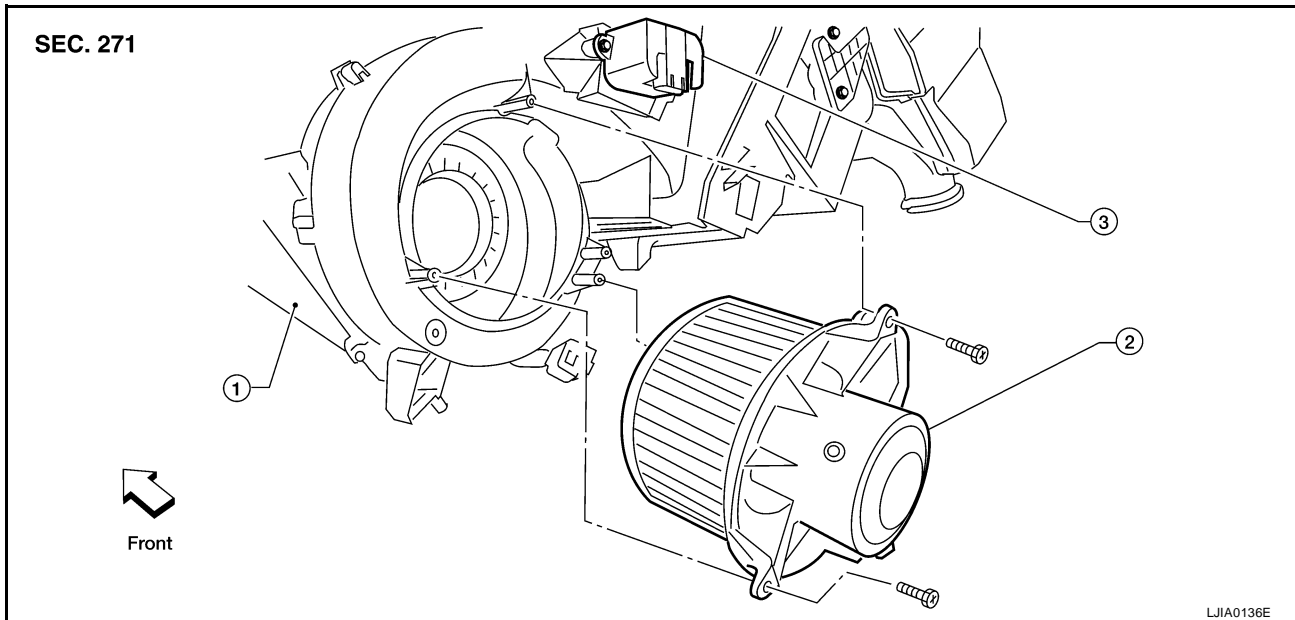
BLOWER MOTOR

PFP:27226

Components

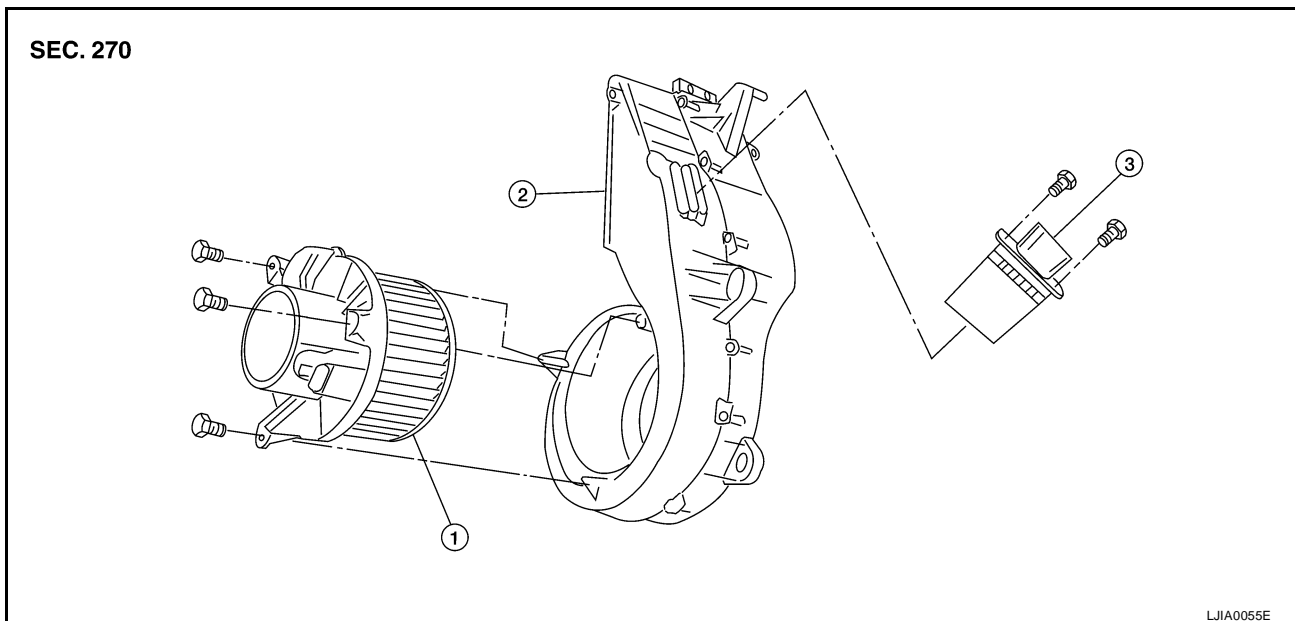
EJS002XQ

Front Blower Motor



1. Front heater and cooling unit assembly 2. Front blower motor 3. Variable blower control

Rear Blower Motor



1. Rear blower motor 2. Rear blower motor case 3. Rear blower motor resistor

Removal and Installation

FRONT BLOWER MOTOR

EJS002XR

Removal

1. Remove the lower glove box assembly. Refer to [IP-14, "LOWER INSTRUMENT PANEL RH AND GLOVE BOX"](#).
2. Disconnect the front blower motor electrical connector.
3. Remove the three screws and remove the front blower motor.

Installation

Installation is in the reverse order of removal.

BLOWER MOTOR

REAR BLOWER MOTOR

Removal

1. Remove the rear heater and cooling unit assembly. Refer to [ATC-138, "REAR HEATER AND COOLING UNIT ASSEMBLY"](#) .
2. Disconnect the rear blower motor electrical connector.
3. Remove the three screws and remove the rear blower motor.

Installation

Installation is in the reverse order of removal.

A

B

C

D

E

F

G

H

I

ATC

K

L

M

IN-CABIN MICROFILTER

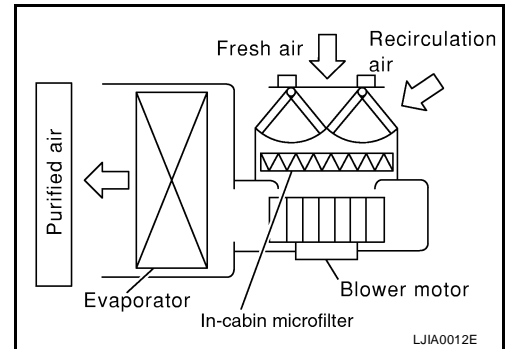
PFP:27277

EJS002XS

IN-CABIN MICROFILTER

Removal and Installation FUNCTION

The air inside the passenger compartment is filtered by the in-cabin microfilters when the heater or A/C controls are set on either the recirculation or fresh mode. The two in-cabin microfilters are located in the front heater and cooling unit assembly. The rear heater and cooling unit assembly only draws in air from the passenger compartment to recirculate into the passenger compartment, so the rear heater and cooling unit assembly is not equipped with in-cabin microfilters.

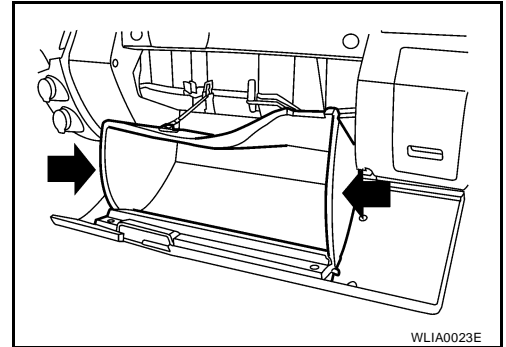


REPLACEMENT TIMING

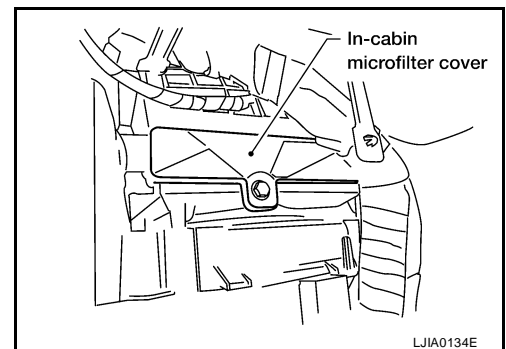
Replacement of the two in-cabin microfilters is recommended on a regular interval depending on the driving conditions. Refer to [MA-7, "PERIODIC MAINTENANCE"](#). It may also be necessary to replace the two in-cabin microfilters as part of a component replacement if the in-cabin microfilters are damaged.

REPLACEMENT PROCEDURE

1. Open the lower glove box and press in on the sides so that it will open completely allowing it to hang by the cord.



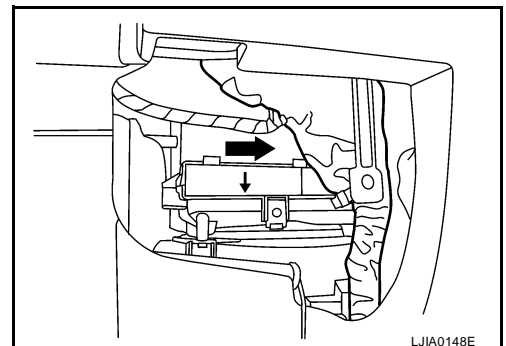
2. Remove the screw and remove the in-cabin microfilter cover.
3. Remove the in-cabin microfilters from the front heater and cooling unit housing.



4. Insert the first new in-cabin microfilter into the front heater and cooling unit housing and slide it over to the right. Insert the second new in-cabin microfilter into the front heater and cooling unit housing.

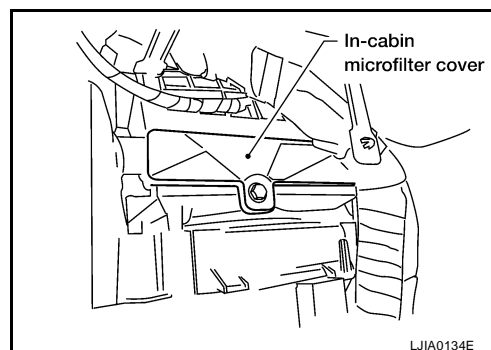
NOTE:

The in-cabin microfilters are marked with air flow arrows. The end of the microfilter with the arrow should face the rear of the vehicle. The arrows should point downward.



IN-CABIN MICROFILTER

5. Install the in-cabin microfilter cover.



6. Close the lower glove box completely.

A

B

C

D

E

F

G

H

I

ATC

K

L

M

HEATER & COOLING UNIT ASSEMBLY

HEATER & COOLING UNIT ASSEMBLY

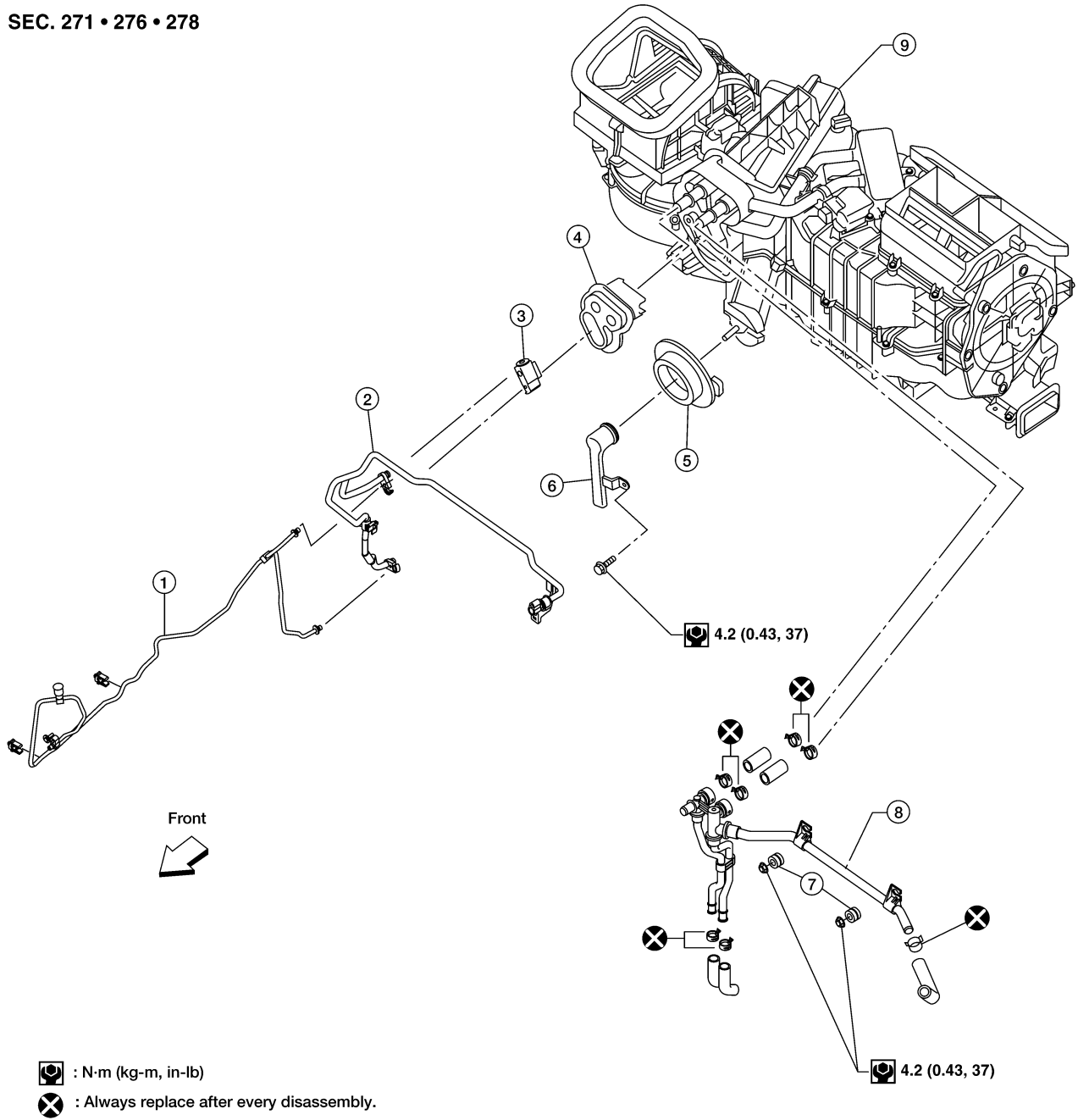
PF2:27110

Components

EJS002XT

Front Heater and Cooling Unit Assembly

SEC. 271 • 276 • 278

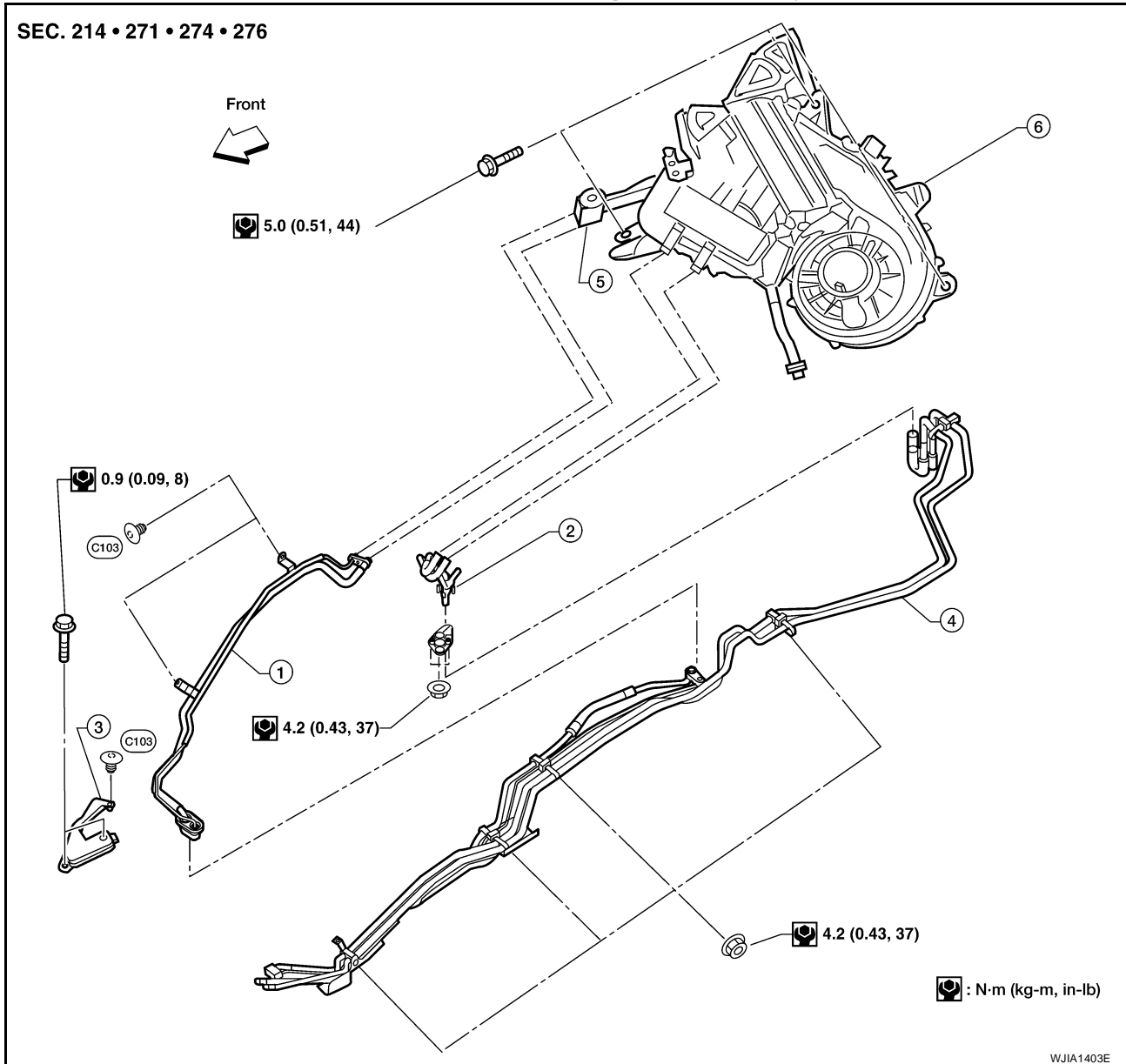


WJIA1402E

- | | | |
|---|---------------------------------|---|
| 1. Front high-pressure A/C pipe | 2. Front low-pressure A/C pipe | 3. Front expansion valve |
| 4. Front heater core and evaporator pipes grommet | 5. Front A/C drain hose grommet | 6. Front A/C drain hose |
| 7. Front heater core pipe mounts | 8. Front heater core pipes | 9. Front heater and cooling unit assembly |

HEATER & COOLING UNIT ASSEMBLY

Rear Heater and Cooling Unit Assembly



- | | | |
|---|---------------------------|--|
| 1. Rear high- and low-pressure A/C pipes | 2. Rear heater core hoses | 3. Rear high- and low-pressure A/C pipes cover |
| 4. Underfloor rear high- and low-pressure A/C and heater core pipes | 5. Rear expansion valve | 6. Rear heater and cooling unit assembly |

Removal and Installation FRONT HEATER AND COOLING UNIT ASSEMBLY

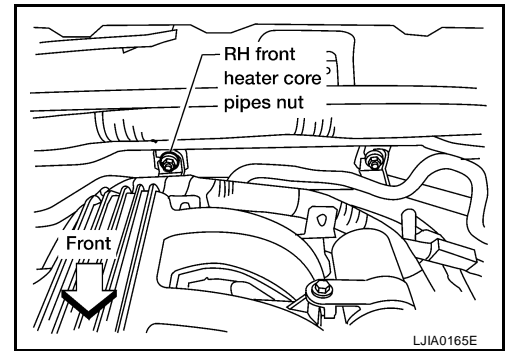
EJS002XU

Removal

1. Discharge the refrigerant from the A/C system. Refer to [ATC-154, "Discharging Refrigerant"](#).
2. Drain the coolant from the engine cooling system. Refer to [MA-13, "DRAINING ENGINE COOLANT"](#).

HEATER & COOLING UNIT ASSEMBLY

3. Remove the front heater core pipes RH nut.
4. Disconnect the front heater core hoses from the front heater core.
5. Disconnect the high- and low-pressure A/C pipes from the front expansion valve.
6. Move the two front seats to the rearmost position on the seat track.
7. Remove the instrument panel and console panel. Refer to [IP-10, "Removal and Installation"](#) .
8. Remove the two front floor ducts.
9. Remove the steering column. Refer to [PS-10, "Removal and Installation"](#) .
10. Disconnect the instrument panel wire harness at the RH and LH in-line connector brackets, and the fuse block (SMJ) electrical connectors. Refer to [PG-40, "Harness Layout"](#) .
11. Remove the covers then remove the three steering member bolts from each side to disconnect the steering member from the vehicle body.
12. Remove the front heater and cooling unit assembly with it attached to the steering member, from the vehicle.



CAUTION:

- Use care not to damage the seats and interior trim panels when removing the front heater and cooling unit assembly with it attached to the steering member.
 - Use suitable plugs on the heater core pipes to prevent coolant leakage.
13. Remove the front heater and cooling unit assembly from the steering member.

Installation

Installation is in the reverse order of removal.

CAUTION:

- Replace the O-ring of the low-pressure A/C pipe and high-pressure A/C pipe with a new one, and apply compressor oil to the O-ring for installation. Refer to [ATC-156, "Components"](#) .
- After charging the refrigerant, check for leaks. Refer to [ATC-170, "Checking for Refrigerant Leaks"](#) .

NOTE:

- Fill the engine cooling system with the specified coolant mixture. Refer to [MA-14, "REFILLING ENGINE COOLANT"](#) .
- Recharge the A/C system. Refer to [ATC-154, "Evacuating System and Charging Refrigerant"](#) .

REAR HEATER AND COOLING UNIT ASSEMBLY

Removal

1. Discharge the refrigerant from the A/C system. Refer to [ATC-154, "Discharging Refrigerant"](#) .
2. Drain the coolant from the engine cooling system. Refer to [MA-13, "DRAINING ENGINE COOLANT"](#) .
3. Remove the rear RH interior trim panel. Refer to [EI-27, "Components"](#) .
4. Disconnect the rear heater core hoses from the rear heater core.
5. Disconnect the rear A/C high- and low-pressure A/C pipes from the rear expansion valve.
6. Disconnect the following electrical connectors:
 - Rear blower motor
 - Rear blower motor resistor
 - Rear air mix door motor
7. Disconnect the ducts from the rear heater and cooling unit assembly.
8. Remove the three bolts to remove the rear heater and cooling unit assembly.

Installation

Installation is in the reverse order of removal.

HEATER & COOLING UNIT ASSEMBLY

CAUTION:

- Replace the O-ring of the low-pressure A/C pipe and high-pressure A/C pipe with a new one, and apply compressor oil to the O-ring for installation. Refer to [ATC-156, "Components"](#) .
- After charging the refrigerant, check for leaks. Refer to [ATC-170, "Checking for Refrigerant Leaks"](#) .

NOTE:

- Fill the engine cooling system with the specified coolant mixture. Refer to [MA-14, "REFILLING ENGINE COOLANT"](#) .
- Recharge the A/C system. Refer to [ATC-154, "Evacuating System and Charging Refrigerant"](#) .

A

B

C

D

E

F

G

H

I

ATC

K

L

M

HEATER CORE

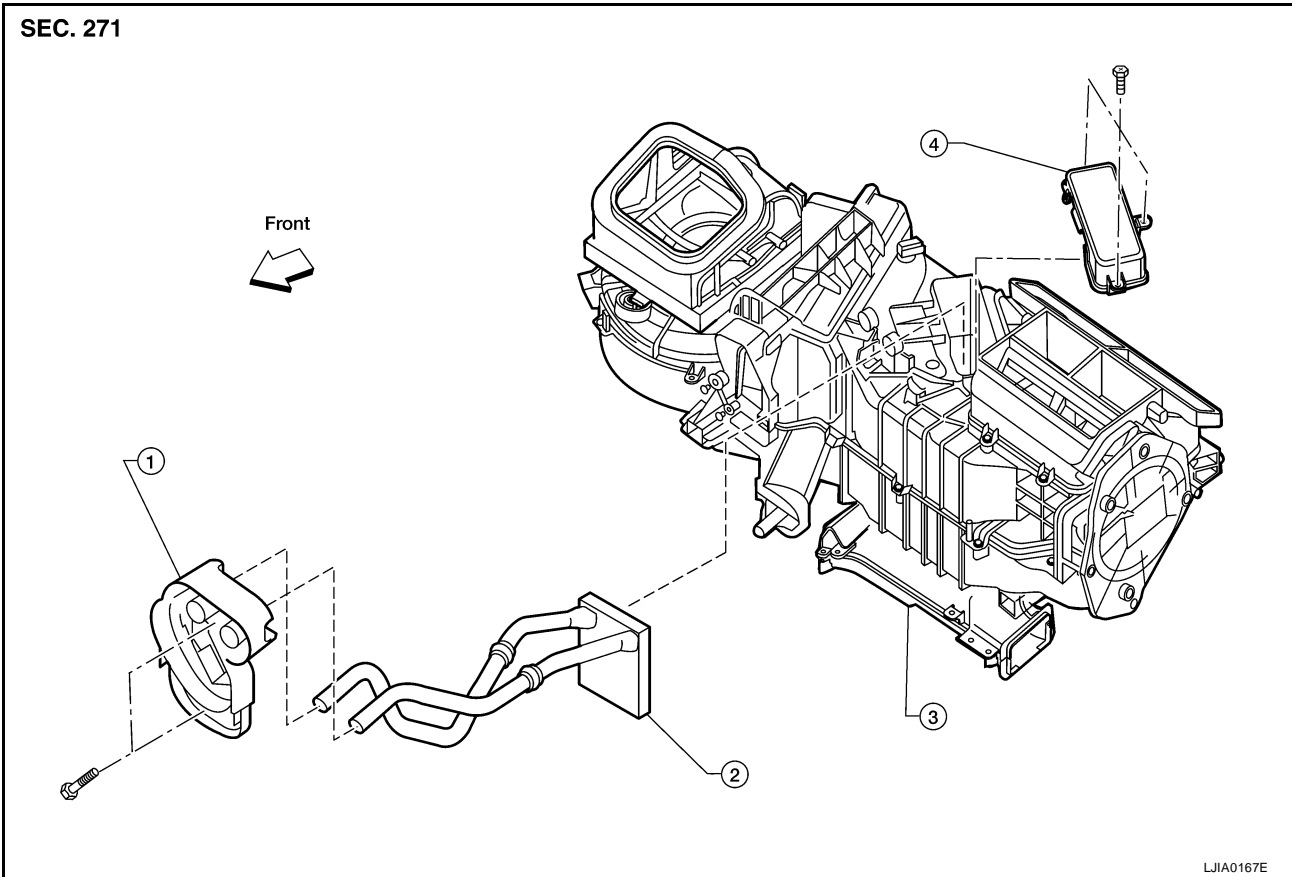
HEATER CORE

PF27140

Components

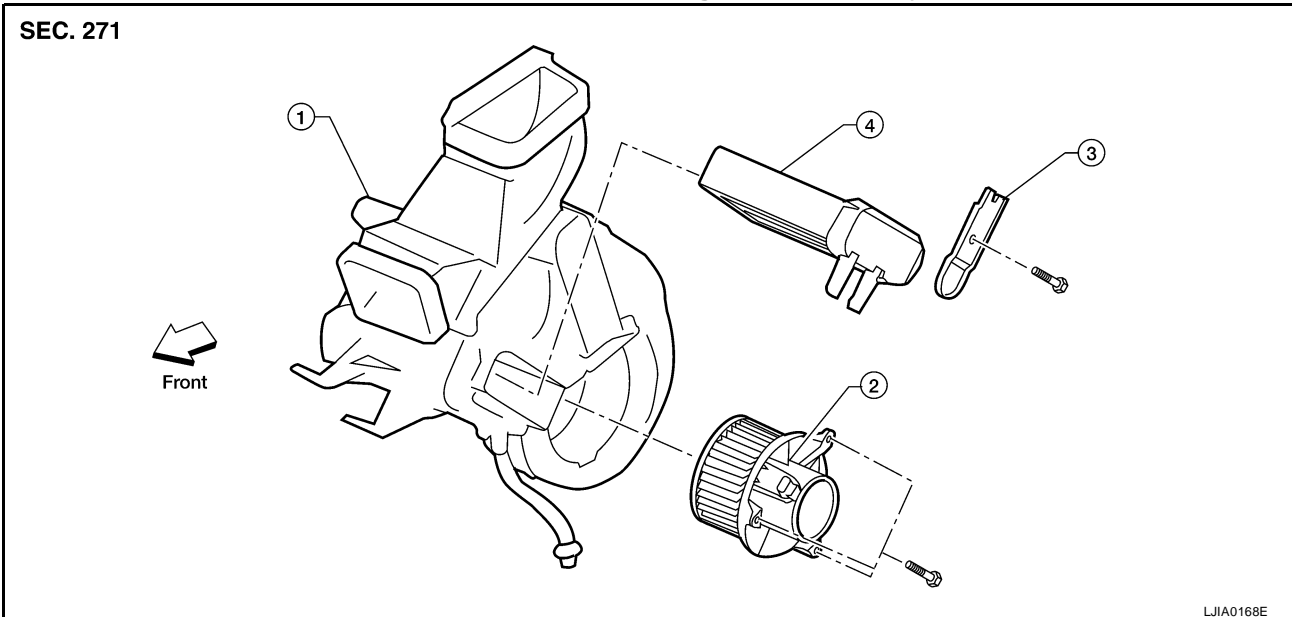
EJS002XV

Front Heater and Cooling Unit Assembly



1. Front heater core and evaporator pipe
2. Front heater core bracket
3. Front heater and cooling unit assembly
4. Front heater core cover

Rear Heater and Cooling Unit Assembly



1. Rear heater and cooling unit assembly
2. Rear blower motor
3. Rear heater core bracket
4. Rear heater core

HEATER CORE

EJS002XW

Removal and Installation

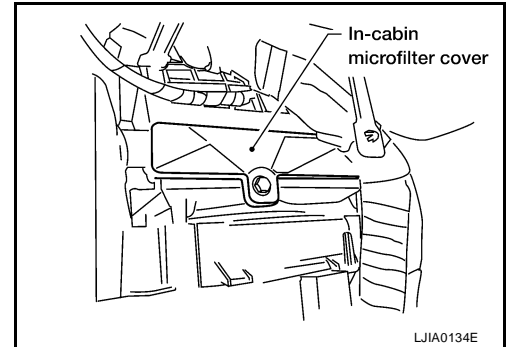
FRONT HEATER CORE

Removal

1. Remove the front heater and cooling unit assembly. Refer to [ATC-137, "FRONT HEATER AND COOLING UNIT ASSEMBLY"](#).
2. Remove the three screws and remove the front heater core cover.
3. Remove the front heater core and evaporator pipe bracket.
4. Remove the front heater core.

NOTE:

If the in-cabin microfilters are contaminated from coolant leaking from the front heater core, replace the in-cabin microfilters with new ones before installing the new front heater core.



Installation

Installation is in the reverse order of removal.

REAR HEATER CORE

Removal

1. Partially drain the engine cooling system. Refer to [MA-13, "DRAINING ENGINE COOLANT"](#).
2. Remove the rear heater and cooling unit assembly. Refer to [ATC-138, "REAR HEATER AND COOLING UNIT ASSEMBLY"](#).
3. Remove the rear heater core bracket.
4. Remove the heater core.

Installation

Installation is in the reverse order of removal.

A
B
C
D
E
F
G
H
I
K
L
M

ATC

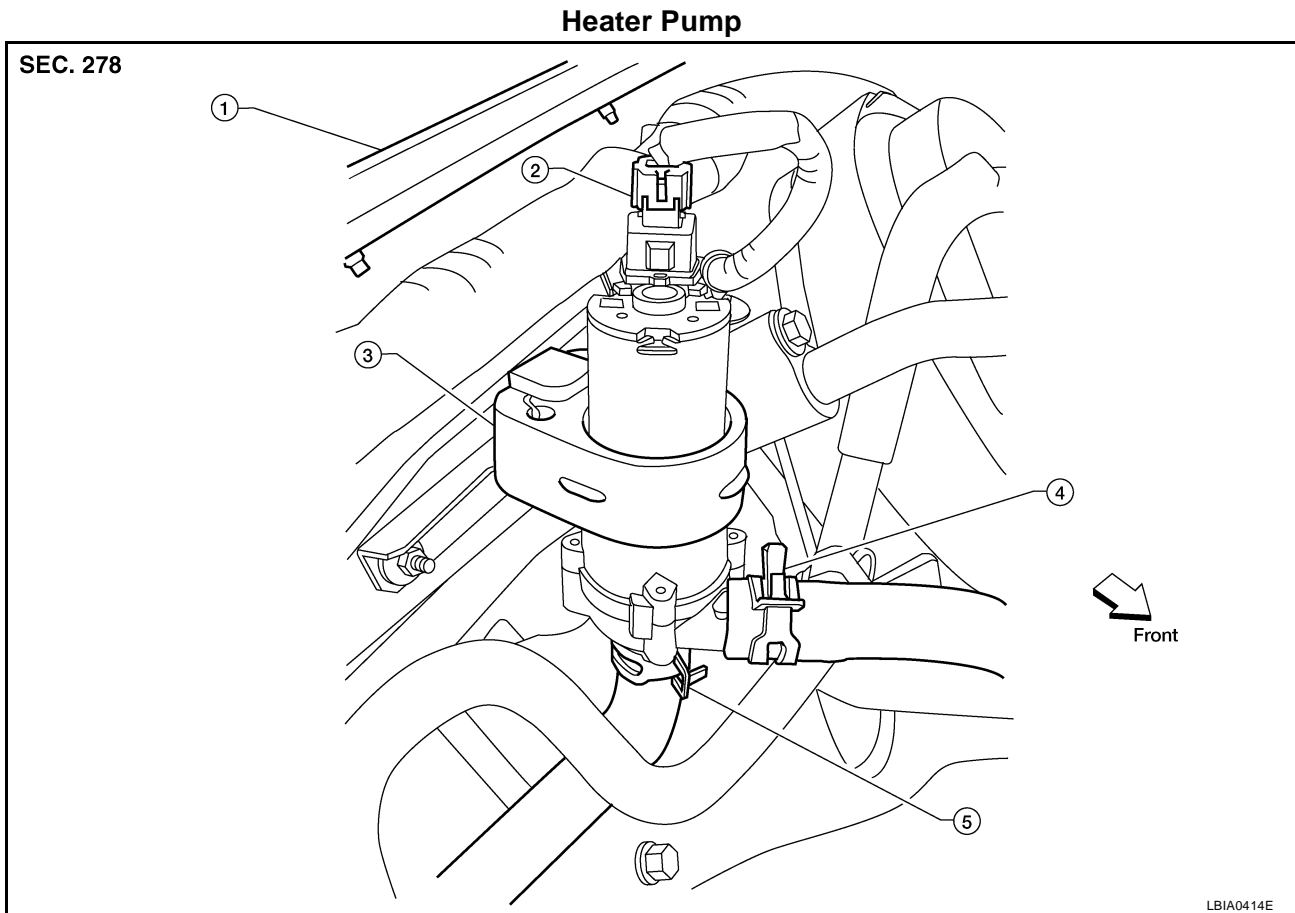
HEATER PUMP

HEATER PUMP

PF9:92264

Removal and Installation

EJS003B8



- | | | |
|--------------------------|-------------------------------------|----------------|
| 1. Cowl top | 2. Heater pump electrical connector | 3. Heater pump |
| 4. Heater hose and clamp | 5. Heater hose and clamp | |

REMOVAL

1. Partially drain the engine cooling system. Refer to [MA-13, "DRAINING ENGINE COOLANT"](#).
2. Disconnect the heater pump electrical connector.
3. Disconnect the two heater hoses.
4. Remove the heater pump from the bracket securing the heater pump to the cowl top.

CAUTION:

Do not disassemble the heater pump, replace the heater pump as an assembly.

INSTALLATION

Installation is in the reverse order of removal.

CAUTION:

- The heater pump rubber mount must be fully seated on the bracket.
- Do not disassemble the heater pump, replace the heater pump as an assembly.

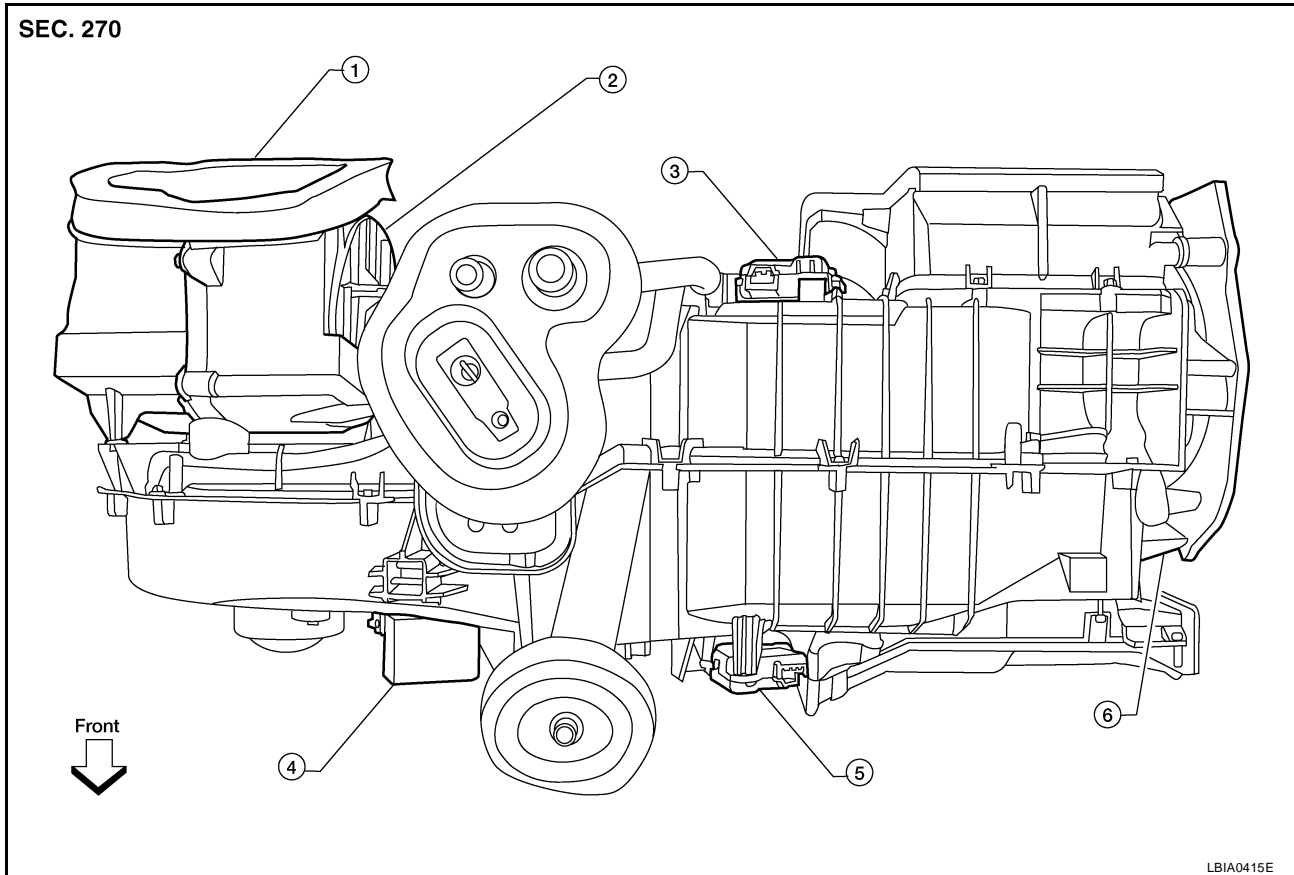
INTAKE DOOR MOTOR

PFP:27730

EJS002XY

INTAKE DOOR MOTOR Removal and Installation

Intake Door Motor - Front Heater and Cooling Unit Assembly



- | | | |
|---|--------------------------------|-----------------------------------|
| 1. Front heater and cooling unit assembly | 2. Intake door motor | 3. Air mix door motor (passenger) |
| 4. Variable blower control | 5. Air mix door motor (driver) | 6. Mode door motor |

REMOVAL

1. Remove the front heater and cooling unit assembly. Refer to [ATC-137, "FRONT HEATER AND COOLING UNIT ASSEMBLY"](#).
2. Remove the steering member from the front heater and cooling unit assembly.
3. Disconnect the intake door motor electrical connector.
4. Remove the three screws and remove the intake door motor.

INSTALLATION

Installation is in the reverse order of removal.

MODE DOOR MOTOR

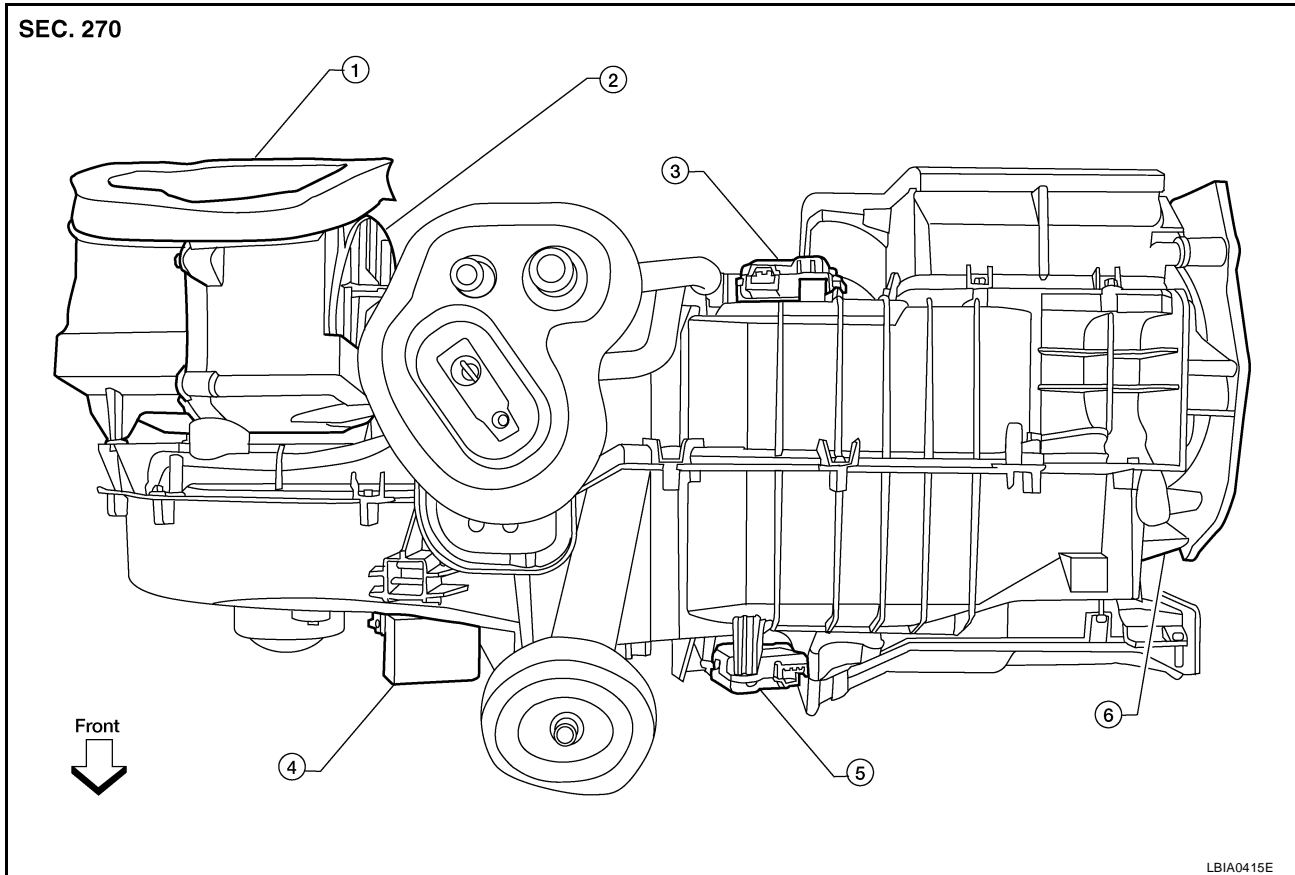
MODE DOOR MOTOR

PF2:27731

Removal and Installation

EJS002XZ

Mode Door Motor - Front Heater and Cooling Unit Assembly



- | | | |
|---|--------------------------------|-----------------------------------|
| 1. Front heater and cooling unit assembly | 2. Intake door motor | 3. Air mix door motor (passenger) |
| 4. Variable blower control | 5. Air mix door motor (driver) | 6. Mode door motor |

REMOVAL

1. Remove the lower instrument panel LH. Refer to [IP-13, "LOWER INSTRUMENT PANEL LH"](#).
2. Disconnect the mode door motor electrical connector.
3. Remove the three screws and remove the mode door motor.

INSTALLATION

Installation is in the reverse order of removal.

AIR MIX DOOR MOTOR

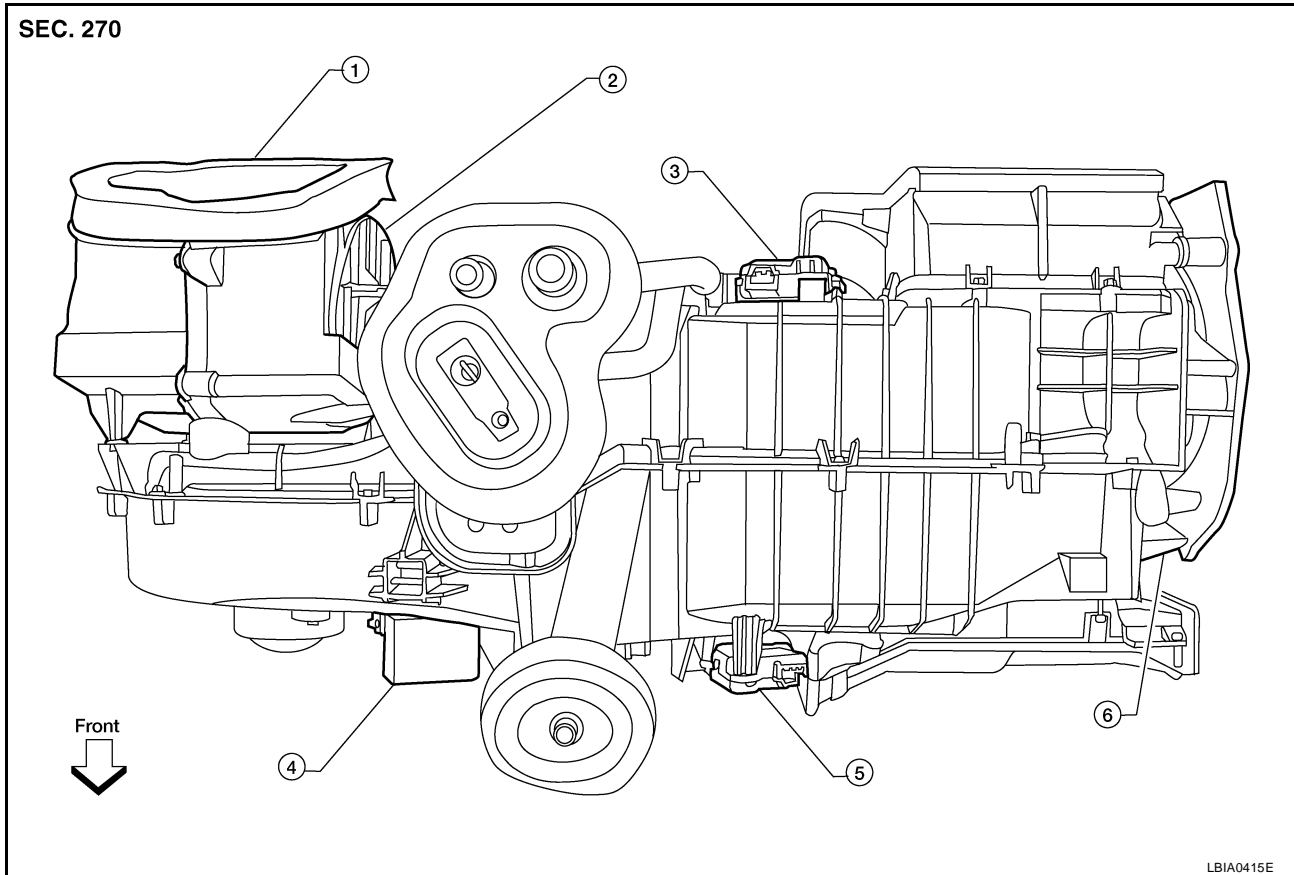
PFP:27732

AIR MIX DOOR MOTOR

Components

EJS002Y0

Air Mix Door Motors - Front Heater and Cooling Unit Assembly



- | | | |
|---|--------------------------------|-----------------------------------|
| 1. Front heater and cooling unit assembly | 2. Intake door motor | 3. Air mix door motor (passenger) |
| 4. Variable blower control | 5. Air mix door motor (driver) | 6. Mode door motor |

Removal and Installation FRONT AIR MIX DOOR MOTOR (PASSENGER)

EJS002Y1

Removal

1. Remove the front heater and cooling unit assembly. Refer to [ATC-137, "FRONT HEATER AND COOLING UNIT ASSEMBLY"](#).
2. Remove the steering member from the front heater and cooling unit assembly.
3. Disconnect the air mix door motor electrical connector.
4. Remove the three screws and remove the air mix door motor.

Installation

Installation is in the reverse order of removal.

FRONT AIR MIX DOOR MOTOR (DRIVER)

Removal

1. Remove the three screws and lower the air mix door motor.
2. Disconnect the air mix door motor electrical connector and remove the air mix door motor.

Installation

Installation is in the reverse order of removal.

REAR AIR MIX DOOR MOTOR

Removal

1. Remove the RH rear interior trim panel. Refer to [EI-27, "Components"](#).

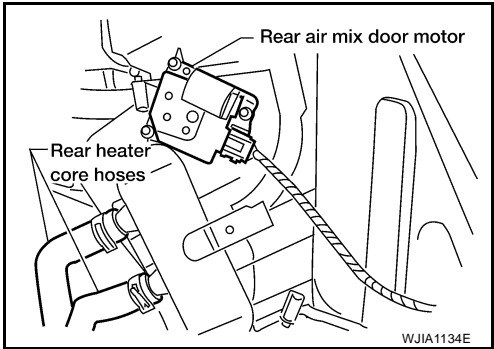
A
B
C
D
E
F
G
H
I

ATC

K
L
M

AIR MIX DOOR MOTOR

2. Disconnect the rear air mix door motor electrical connector.
3. Remove the three screws and remove the rear air mix door motor.



Installation

Installation is in the reverse order of removal.

VARIABLE BLOWER CONTROL

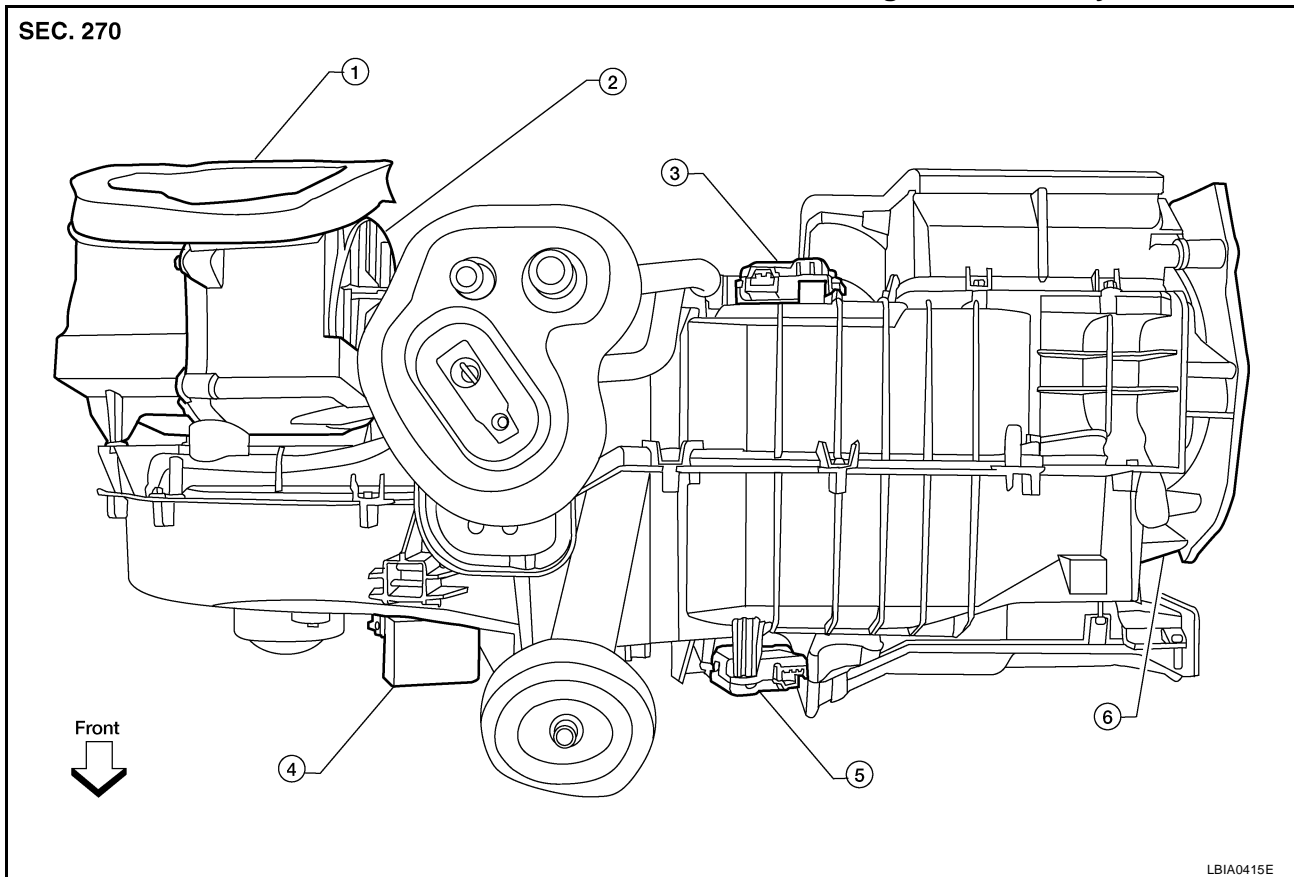
VARIABLE BLOWER CONTROL

PFP:27200

Removal and Installation

EJS002Y2

Variable Blower Control - Front Heater and Cooling Unit Assembly



- | | | |
|---|--------------------------------|-----------------------------------|
| 1. Front heater and cooling unit assembly | 2. Intake door motor | 3. Air mix door motor (passenger) |
| 4. Variable blower control | 5. Air mix door motor (driver) | 6. Mode door motor |

REMOVAL

1. Disconnect the variable blower control electrical connector.
2. Remove the two screws and remove the variable blower control.

INSTALLATION

Installation is in the reverse order of removal.

A
B
C
D
E
F
G
H
I
K
L
M

ATC

REAR BLOWER MOTOR RESISTOR

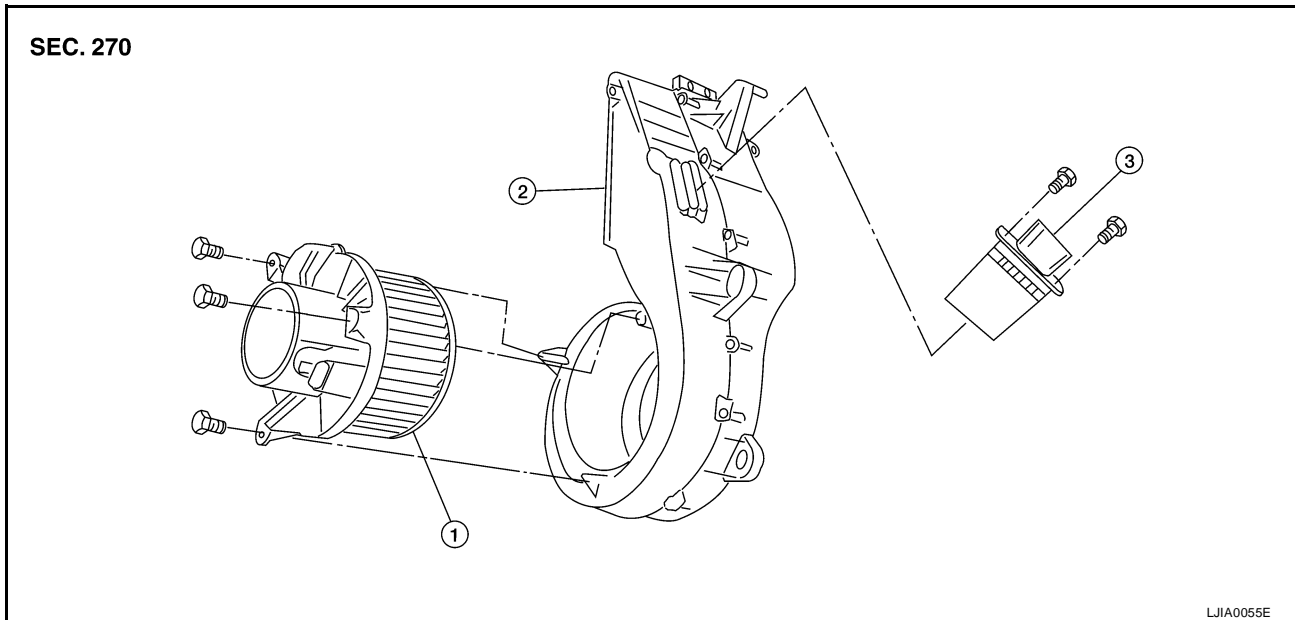
REAR BLOWER MOTOR RESISTOR

PF2:27150

Removal and Installation

EJS002Y3

Rear Blower Motor Resistor



1. Rear blower motor

2. Rear blower motor case

3. Rear blower motor resistor

REMOVAL

1. Remove the rear RH interior trim panel. Refer to [EI-27, "Components"](#).
2. Disconnect the rear blower motor resistor electrical connector.
3. Remove the two screws and remove the rear blower motor resistor.

INSTALLATION

Installation is in the reverse order of removal.

DUCTS AND GRILLES

DUCTS AND GRILLES

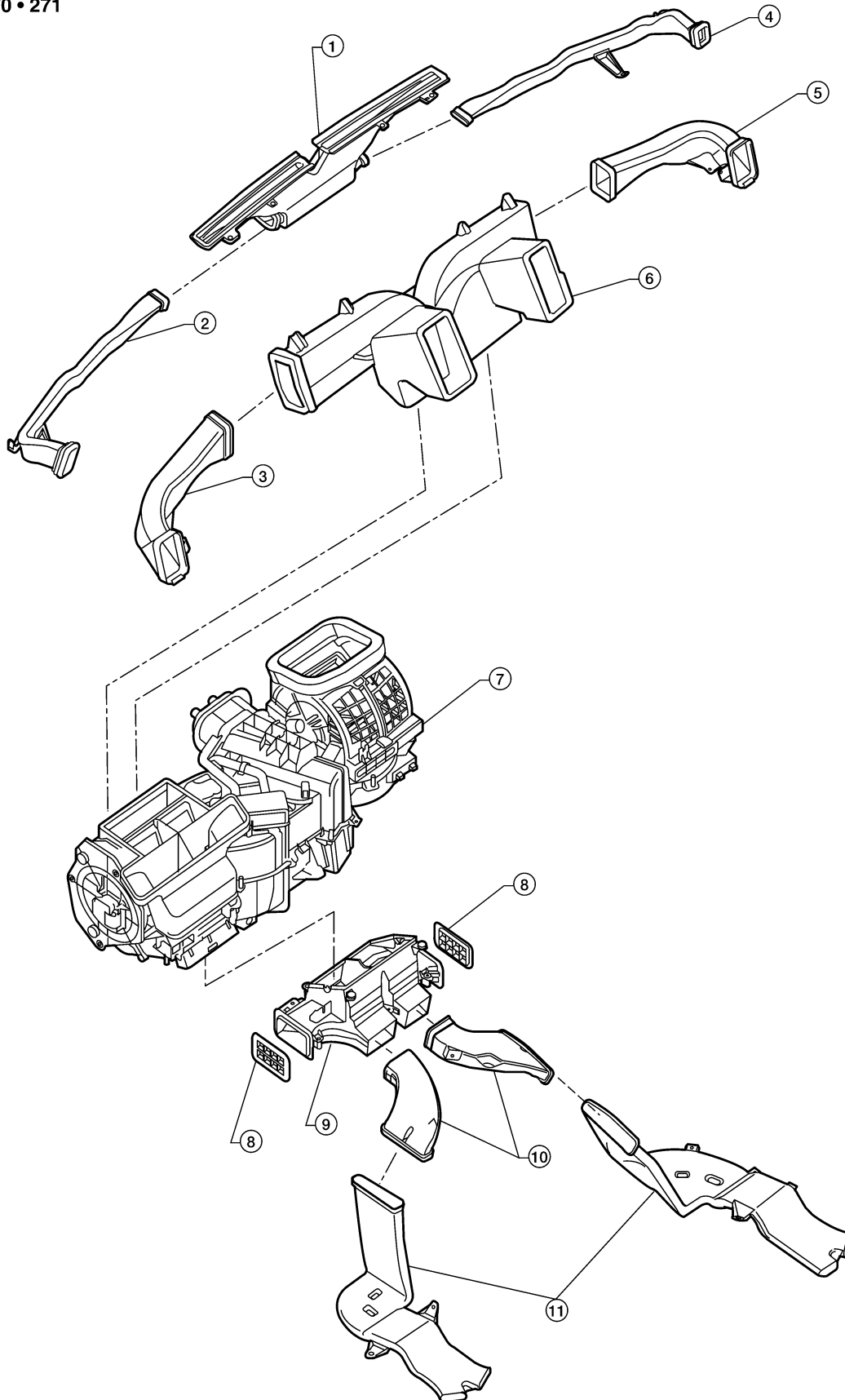
PFP:27860

Components

EJS002Y4

Ducts - Front Heater and Cooling Unit Assembly

SEC. 270 • 271



A
B
C
D
E
F
G
H
I

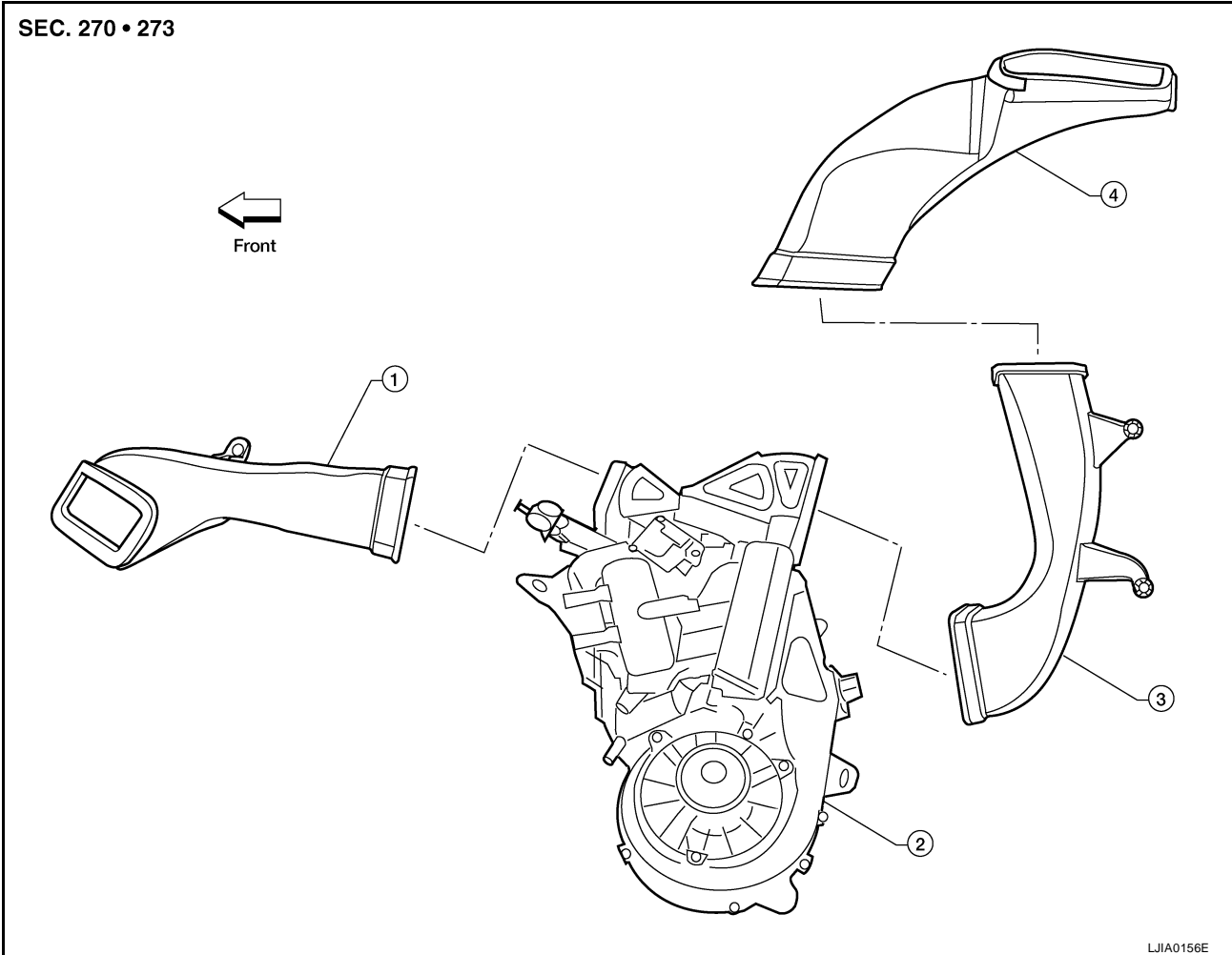
ATC

K
L
M

DUCTS AND GRILLES

- | | | |
|---|---------------------------------|---------------------------|
| 1. Defroster nozzle | 2. LH side demister duct | 3. LH ventilator duct |
| 4. RH side demister duct | 5. RH ventilator duct | 6. Center ventilator duct |
| 7. Front heater and cooling unit assembly | 8. Floor connector duct grilles | 9. Floor connector duct |
| 10. Front floor ducts | 11. Rear floor ducts | |

Ducts - Rear Heater and Cooling Unit Assembly

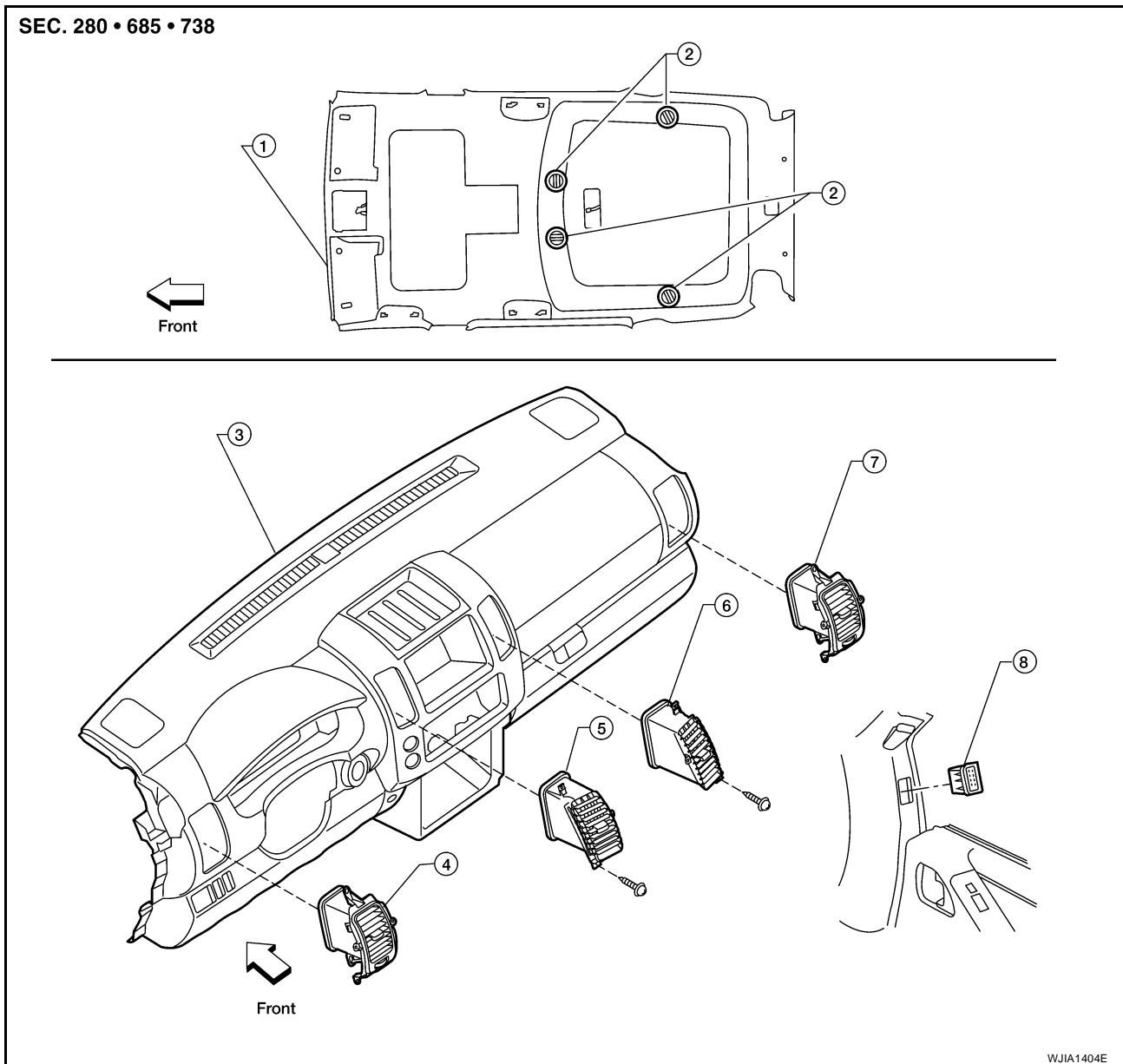


- | | | |
|-----------------------------|--|-----------------------------|
| 1. Side rear floor duct | 2. Rear heater and cooling unit assembly | 3. Rear lower overhead duct |
| 4. Rear upper overhead duct | | |

DUCTS AND GRILLES

Grilles

SEC. 280 • 685 • 738



- | | | |
|------------------------------|----------------------------|--------------------------------------|
| 1. Headliner | 2. Overhead grilles | 3. Instrument panel and pad assembly |
| 4. LH side ventilator grille | 5. LH ventilator grille | 6. RH ventilator grille |
| 7. RH side ventilator grille | 8. RH side demister grille | |

Removal and Installation DEFROSTER NOZZLE

EJS002Y5

Removal

1. Remove the front heater and cooling unit assembly. Refer to [ATC-137, "FRONT HEATER AND COOLING UNIT ASSEMBLY"](#).
2. Remove the defroster nozzle.

Installation

Installation is in the reverse order of removal.

RH AND LH SIDE DEMISTER DUCT

Removal

1. Remove the front heater and cooling unit assembly. Refer to [ATC-137, "FRONT HEATER AND COOLING UNIT ASSEMBLY"](#).
2. Remove the center console. Refer to [IP-16, "Center Console"](#).

A
B
C
D
E
F
G
H
I
ATC
K
L
M

DUCTS AND GRILLES

3. Remove the RH or LH side demister duct.

Installation

Installation is in the reverse order of removal.

RH AND LH VENTILATOR DUCT

Removal

1. Remove the front heater and cooling unit assembly. Refer to [ATC-137, "FRONT HEATER AND COOLING UNIT ASSEMBLY"](#) .
2. Remove the center console. Refer to [IP-16, "Center Console"](#) .
3. Remove the RH or LH ventilator duct.

Installation

Installation is in the reverse order of removal.

CENTER VENTILATOR DUCT

Removal

1. Remove the front heater and cooling unit assembly. Refer to [ATC-137, "FRONT HEATER AND COOLING UNIT ASSEMBLY"](#) .
2. Remove the center console. Refer to [IP-16, "Center Console"](#) .
3. Remove the defroster nozzle.
4. Remove the RH and LH ventilator ducts.
5. Remove the RH and LH side demister ducts.
6. Remove the center ventilator duct.

Installation

Installation is in the reverse order of removal.

FLOOR CONNECTOR DUCT

Removal

1. Remove the front heater and cooling unit assembly. Refer to [ATC-137, "FRONT HEATER AND COOLING UNIT ASSEMBLY"](#) .
2. Remove the center console. Refer to [IP-16, "Center Console"](#) .
3. Remove the floor connector duct.

Installation

Installation is in the reverse order of removal.

FRONT AND REAR FLOOR DUCTS

Removal

1. Remove the center console. Refer to [IP-16, "Center Console"](#) .
2. Remove the floor carpet. Refer to [EI-29, "Removal and Installation"](#) .
3. Remove the clips and remove the front and rear floor ducts.

Installation

Installation is in the reverse order of removal.

REAR OVERHEAD DUCTS

Removal

1. Remove the rear RH interior trim panel. Refer to [EI-27, "Components"](#) .
2. Remove the headliner. Refer to [EI-30, "HEADLINING"](#) .

NOTE:

The rear headliner duct (connected to the rear upper overhead duct) is part of the headliner and is replaced as an assembly.

3. Remove the clips and remove the rear upper and lower overhead ducts.

Installation

Installation is in the reverse order of removal.

DUCTS AND GRILLES

SIDE REAR FLOOR DUCT

Removal

1. Remove the rear RH interior trim panel. Refer to [EI-27, "Components"](#).
2. Reposition the floor carpet out of the way.
3. Remove the clips and remove the side rear floor duct.

Installation

Installation is in the reverse order of removal.

GRILLES

Removal

1. Remove the necessary interior trim panel(s) to access the grille. Refer to [IP-10, "Removal and Installation"](#).

NOTE:

The overhead grilles are part of the headliner. To replace the overhead grilles the headliner must be replaced. Refer to [EI-30, "HEADLINING"](#).

2. Remove the grille from the interior trim panel.

Installation

Installation is in the reverse order of removal.

A

B

C

D

E

F

G

H

I

ATC

K

L

M

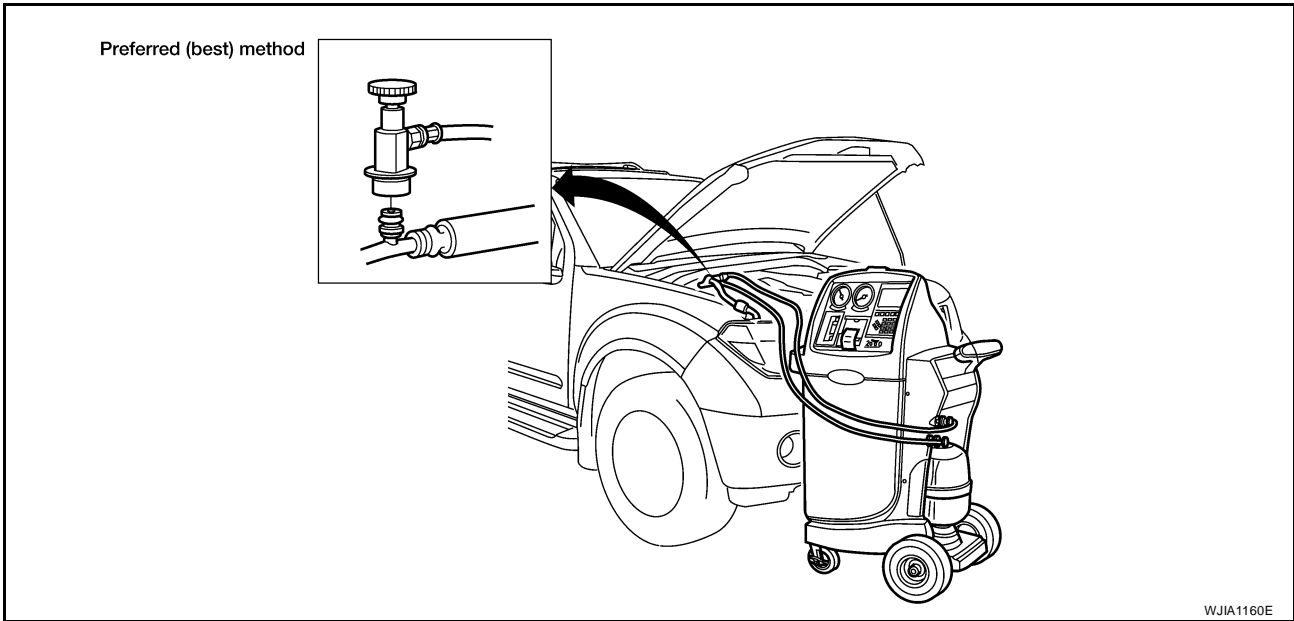
REFRIGERANT LINES

PF9:92600

EJS002 Y6

REFRIGERANT LINES

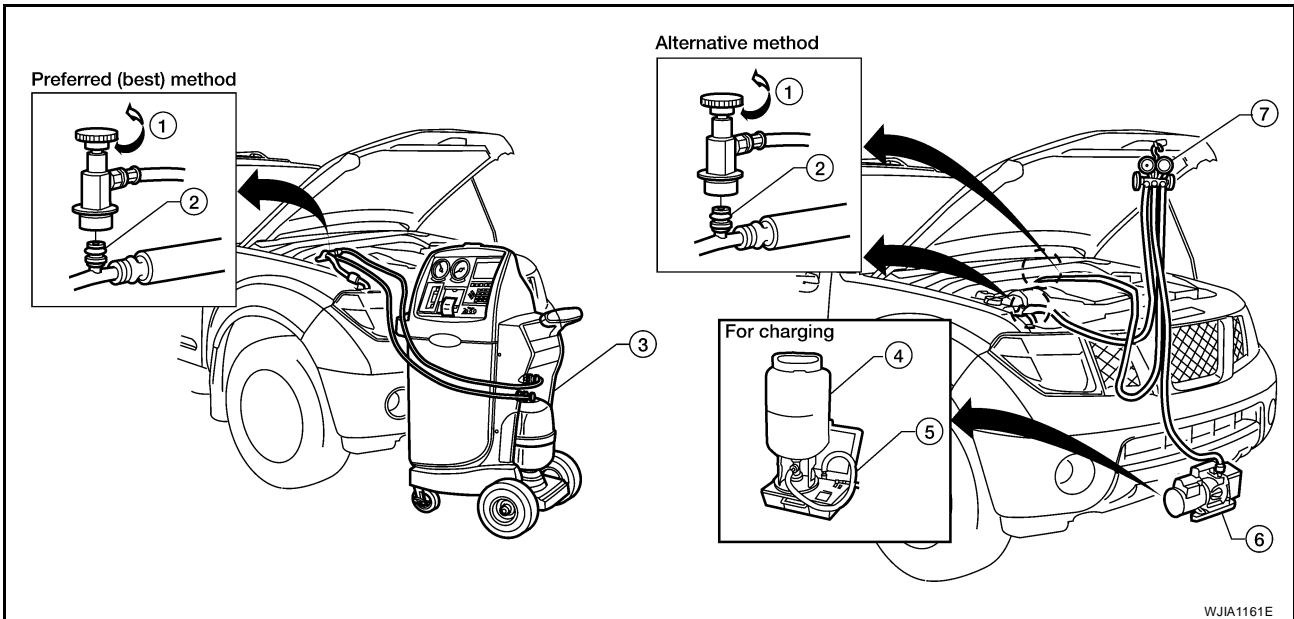
HFC-134a (R-134a) Service Procedure SETTING OF SERVICE TOOLS AND EQUIPMENT Discharging Refrigerant



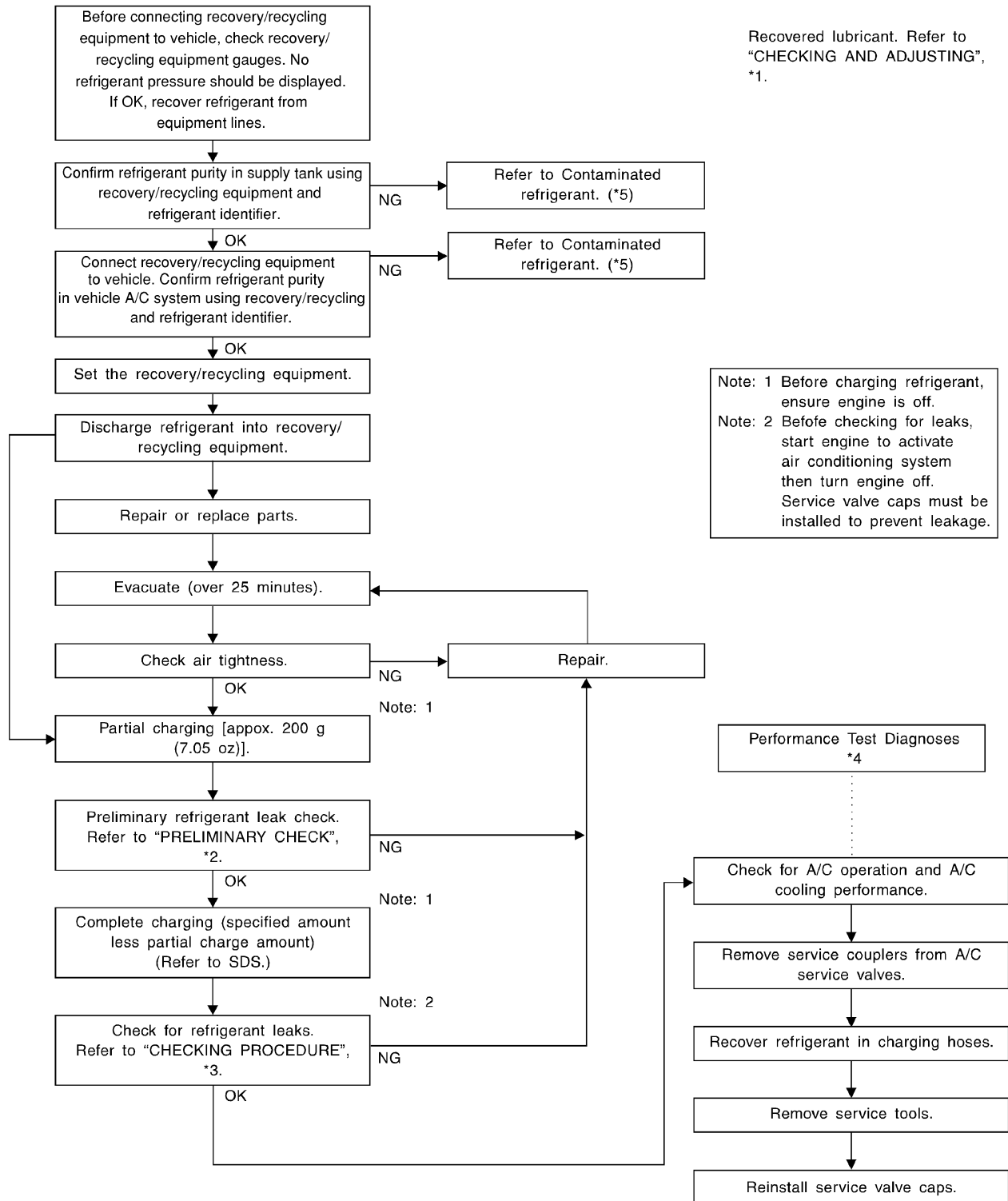
WARNING:

Avoid breathing A/C refrigerant and lubricant vapor or mist. Exposure may irritate eyes, nose and throat. Remove HFC-134a (R-134a) refrigerant from the A/C system using certified service equipment meeting requirements of SAE J2210 HFC-134a (R-134a) recycling equipment or SAE J2201 HFC-134a (R-134a) recovery equipment. If an accidental system discharge occurs, ventilate the work area before resuming service. Additional health and safety information may be obtained from the refrigerant and lubricant manufacturers.

Evacuating System and Charging Refrigerant



REFRIGERANT LINES



*1 [ATC-22, "CHECKING AND ADJUSTING"](#).

*2 [ATC-170, "Checking for Refrigerant Leaks"](#).

*3 [ATC-170, "Checking for Refrigerant Leaks"](#).

*4 [ATC-103, "PERFORMANCE TEST DIAGNOSES"](#).

*5 [ATC-5, "Contaminated Refrigerant"](#).

WJIA0530E

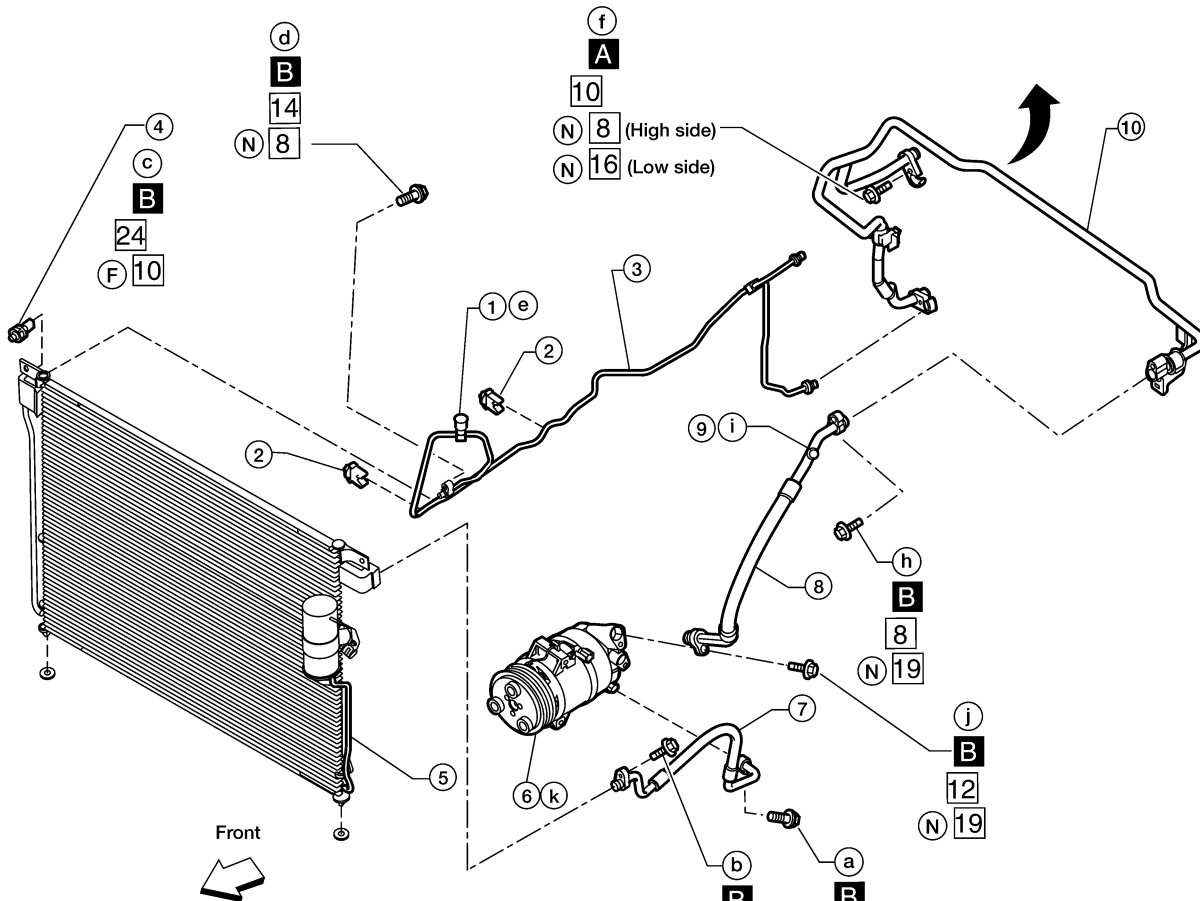
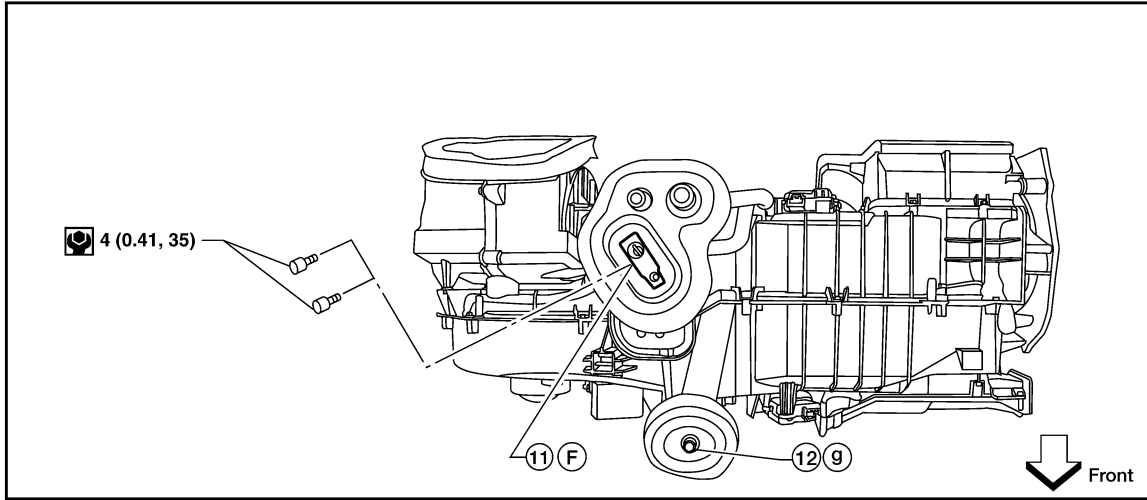
REFRIGERANT LINES

Components

EJS002Y7

Front A/C Compressor and Condenser

SEC. 270 • 271 • 274 • 276 • 278



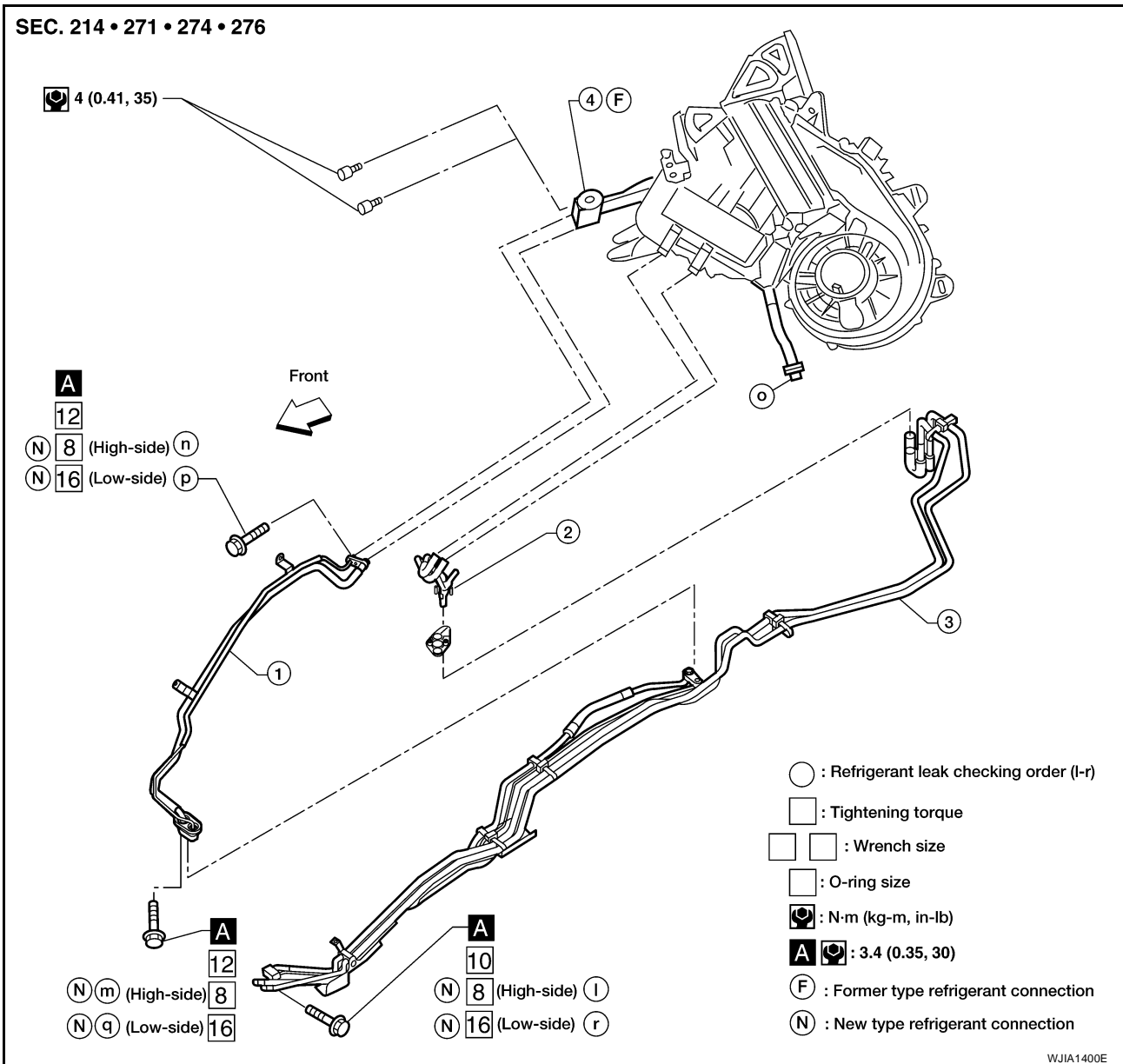
- : Refrigerant leak checking order (a-k)
- : Tightening torque
- : Wrench size
- : O-ring size
- ⊙ : N-m (kg-m, in-lb)
- A** : 3.4 (0.35, 30)
- B** : 9.3 (0.95, 82)
- (F) : Former type refrigerant connection
- (N) : New type refrigerant connection

WJIA1399E

REFRIGERANT LINES

- | | | |
|--|---|---------------------------------|
| 1. High-pressure service valve | 2. Clip | 3. Front high-pressure A/C pipe |
| 4. Refrigerant pressure sensor | 5. Condenser | 6. Compressor shaft seal |
| 7. Front high-pressure flexible A/C hose | 8. Front low-pressure flexible A/C hose | 9. Low-pressure service valve |
| 10. Front low-pressure A/C pipe | 11. Front expansion valve | 12. Front A/C drain hose |

Rear A/C



- | | | |
|--|---------------------------|---|
| 1. Rear high- and low-pressure A/C pipes | 2. Rear heater core hoses | 3. Underfloor rear high- and low-pressure A/C and heater core pipes |
| 4. Rear expansion valve | | |

NOTE:

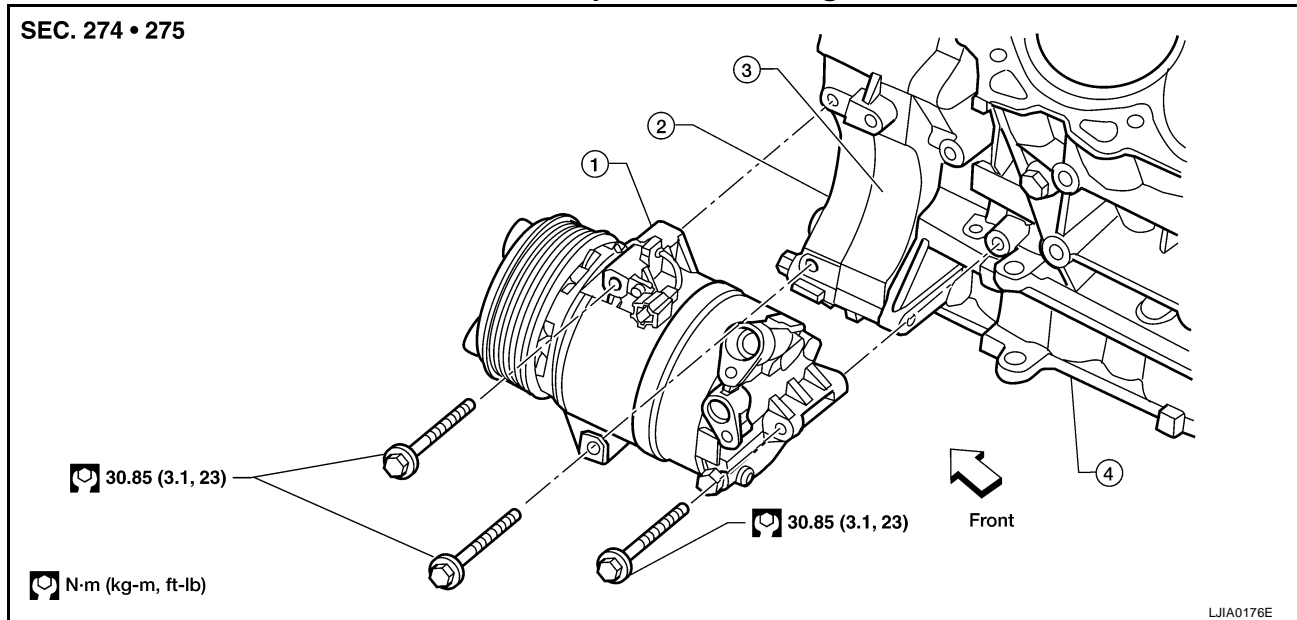
Refer to [ATC-7, "Precautions for Refrigerant Connection"](#).

REFRIGERANT LINES

Removal and Installation for Compressor

EJS002Y8

A/C Compressor Mounting



1. Compressor
2. Front timing chain case
3. Rear timing chain case
4. Cylinder block

REMOVAL

1. Discharge the A/C refrigerant. Refer to [ATC-154, "HFC-134a \(R-134a\) Service Procedure"](#).
2. Remove the front left wheel and tire assembly. Refer to [WT-6, "Rotation"](#).
3. Remove the engine cover.
4. Remove the front left mud guard.
5. Remove the front left splash shield.
6. Remove the engine air cleaner and air ducts. Refer to [EM-15, "AIR CLEANER AND AIR DUCT"](#).
7. Remove the drive belt. Refer to [EM-13, "DRIVE BELTS"](#).
8. Disconnect the compressor harness connector.
9. Disconnect both the front high-pressure flexible A/C hose and front low-pressure flexible A/C hose from the compressor.

CAUTION:

Cap or wrap the joint of the pipe with suitable material such as vinyl tape to avoid the entry of air.

10. Remove the A/C compressor bolts using power tools.

INSTALLATION

Installation is in the reverse order of removal.

CAUTION:

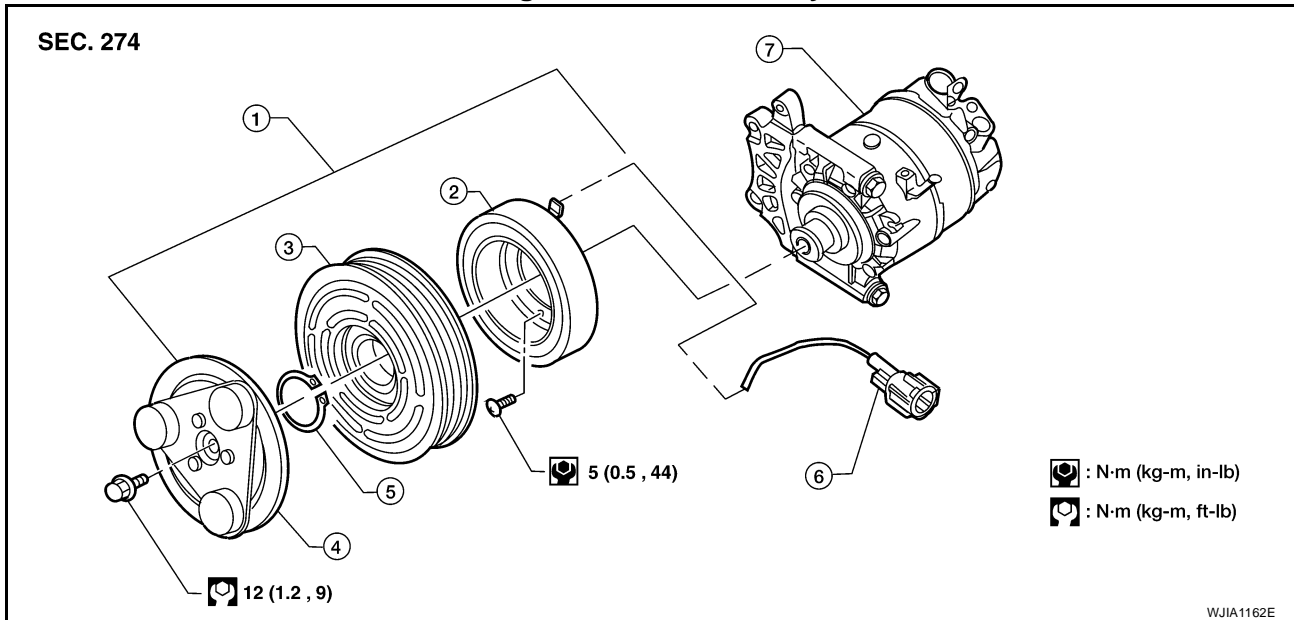
- Replace the O-ring of the front low-pressure flexible A/C hose and front high-pressure flexible A/C hose with a new one, apply compressor oil to the O-rings before installation.
- After recharging the A/C system with refrigerant, check for leaks. Refer to [ATC-170, "Checking for Refrigerant Leaks"](#).

REFRIGERANT LINES

EJS002Y9

Removal and Installation for Compressor Clutch

Magnet Clutch Assembly



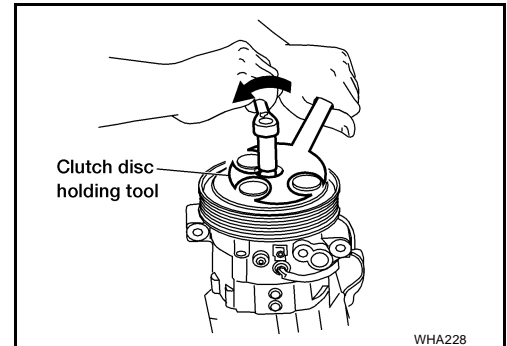
- | | | |
|---------------------------|----------------|---------------------------------|
| 1. Magnet clutch assembly | 2. Magnet coil | 3. Pulley |
| 4. Clutch disc | 5. Snap ring | 6. Thermal protector (built in) |
| 7. Compressor | | |

REMOVAL

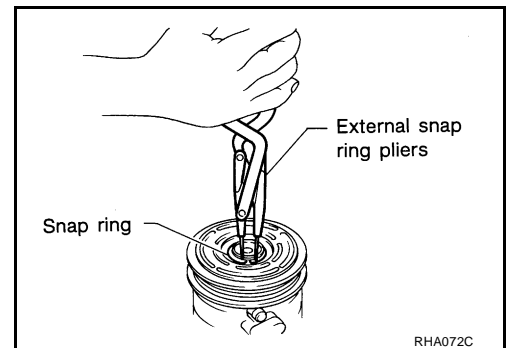
1. Remove the compressor. Refer to [ATC-158, "Removal and Installation for Compressor"](#).
2. Remove the center bolt while holding the clutch disc stationary using Tool as shown.

Tool number : J-44614

3. Remove the clutch disc.



4. Remove the snap ring using external snap ring pliers or suitable tool.



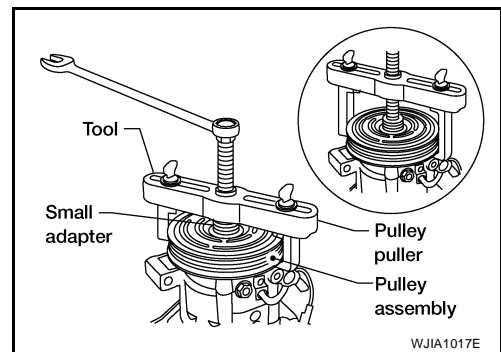
REFRIGERANT LINES

5. Remove the pulley using Tool with a small adapter. Position the small adapter on the end of the drive shaft and the center of the pulley on the small adapter.

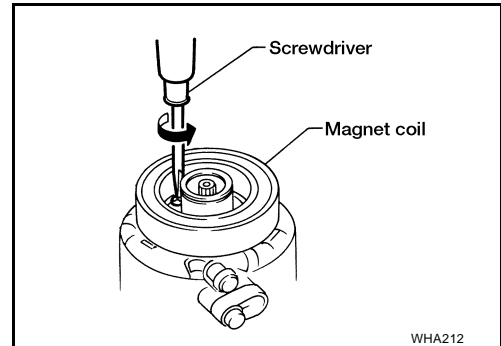
Tool number : KV99233130 (J-29884)

CAUTION:

To prevent deformation of the pulley groove, the puller claws should be hooked under the pulley groove and not into the pulley groove.



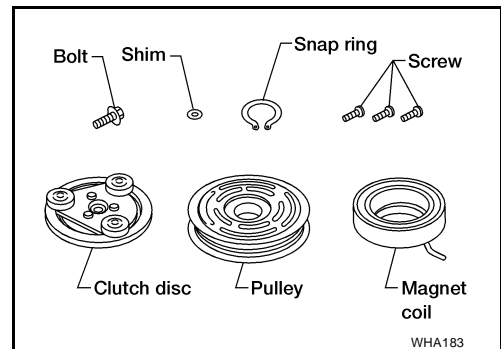
6. Remove the magnet coil harness clip using a screwdriver, remove the three magnet coil fixing screws and remove the magnet coil.



INSPECTION

Clutch Disc

If the contact surface shows signs of damage due to excessive heat, replace clutch disc and pulley.



Pulley

Check the appearance of the pulley assembly. If contact surface of pulley shows signs of excessive grooving, replace clutch disc and pulley. The contact surfaces of the pulley assembly should be cleaned with a suitable solvent before reinstallation.

Coil

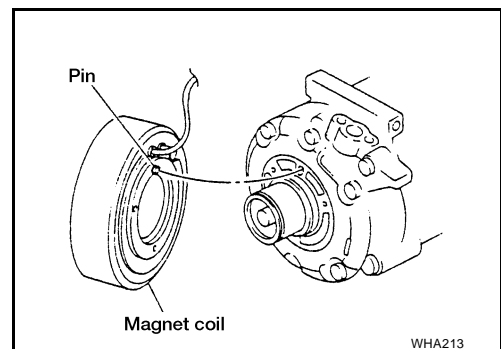
Check magnet coil for loose connections or any cracked insulation.

INSTALLATION

1. Install the magnet coil.

CAUTION:

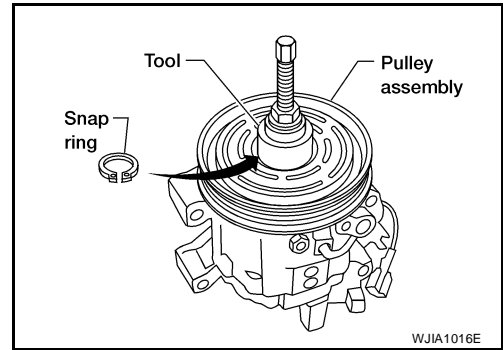
Be sure to align the magnet coil pin with the hole in the compressor front head.



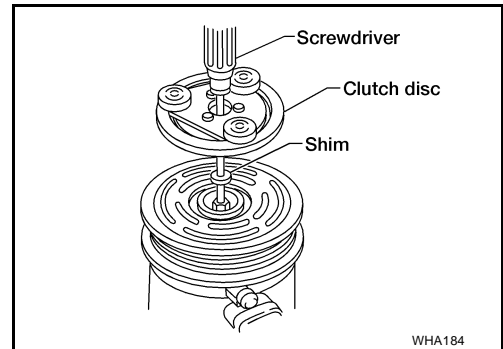
REFRIGERANT LINES

2. Install the magnet coil harness clip using a screwdriver.
3. Install the pulley assembly using Tool and a wrench, then install the snap ring using snap ring pliers.

Tool number : — (J-38873-A)



4. Install the clutch disc on the compressor shaft, together with the original shim(s). Press the clutch disc down by hand.

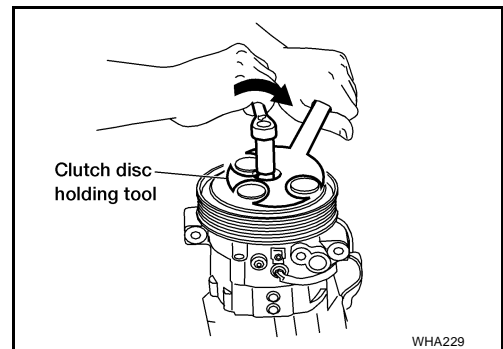


5. Install the clutch pulley bolt using Tool, to prevent the clutch disc from turning and tighten the bolt to specification. Refer to [ATC-156, "Components"](#).

Tool number : J-44614

CAUTION:

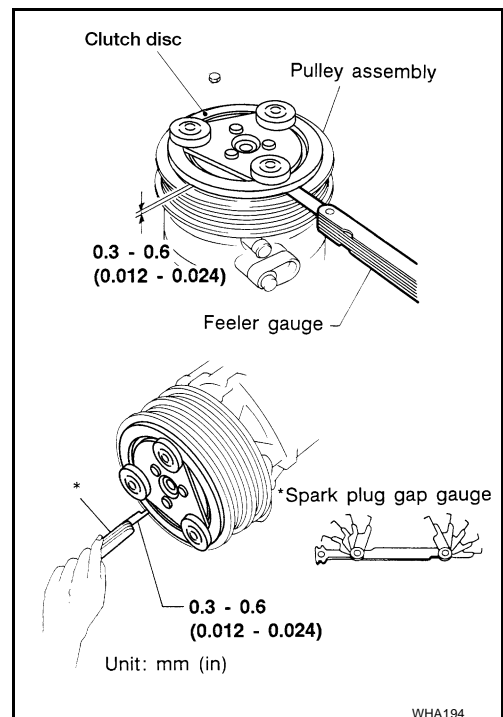
After tightening the clutch pulley bolt, check that the clutch pulley rotates smoothly.



6. Check the pulley clearance all the way around the clutch disc as shown.

Clutch disc-to-pulley clearance : 0.3 - 0.6 mm
(0.012 - 0.024 in)

7. If the specified clearance is not obtained, replace the adjusting spacer to readjust.
8. Install the compressor. Refer to [ATC-158, "Removal and Installation for Compressor"](#).



A
B
C
D
E
F
G
H
I

ATC

K

L

M

REFRIGERANT LINES

BREAK-IN OPERATION

When replacing compressor clutch assembly, always conduct the break-in operation. This is done by engaging and disengaging the clutch about 30 times. Break-in operation raises the level of transmitted torque.

Removal and Installation for Front High-pressure Flexible A/C Hose

EJS002YB

REMOVAL

1. Remove the front left wheel and tire assembly. Refer to [WT-6, "Rotation"](#) .
2. Remove the front left mud guard.
3. Remove the front left splash shield.
4. Discharge the refrigerant. Refer to [ATC-154, "HFC-134a \(R-134a\) Service Procedure"](#) .
5. Remove the front high-pressure flexible A/C hose. Refer to [ATC-156, "Components"](#) .

CAUTION:

Cap or wrap the joint of the pipe with suitable material such as vinyl tape to avoid the entry of air.

INSTALLATION

Installation is in the reverse order of removal.

Refer to [ATC-156, "Components"](#) .

CAUTION:

- Replace the O-ring of the front high-pressure flexible A/C hose with a new one, then apply compressor oil to it for installation.
- After charging refrigerant, check for leaks.

Removal and Installation for Front High-pressure A/C Pipe

EJS002YC

REMOVAL

1. Remove the front right wheel and tire assembly. Refer to [WT-6, "Rotation"](#) .
2. Remove the front right mud guard.
3. Remove the front right splash shield.
4. Discharge the refrigerant. Refer to [ATC-154, "HFC-134a \(R-134a\) Service Procedure"](#) .
5. Remove the front low pressure A/C pipe. Refer to [ATC-163, "Removal and Installation for Front Low-pressure A/C Pipe"](#) .
6. Remove the front high-pressure A/C pipe. Refer to [ATC-156, "Components"](#) .

CAUTION:

Cap or wrap the joint of the pipe with suitable material such as vinyl tape to avoid the entry of air.

INSTALLATION

Installation is in the reverse order of removal.

Refer to [ATC-156, "Components"](#) .

CAUTION:

- Replace the O-ring of the front high-pressure A/C pipe with a new one, then apply compressor oil to it for installation.
- After charging refrigerant, check for leaks.

Removal and Installation for Front Low-pressure Flexible A/C Hose

EJS002YA

REMOVAL

1. Remove the front right wheel and tire assembly. Refer to [WT-6, "Rotation"](#) .
2. Remove the front right mud guard.
3. Remove the front right splash shield.
4. Discharge the refrigerant. Refer to [ATC-154, "HFC-134a \(R-134a\) Service Procedure"](#) .

CAUTION:

Cap or wrap the joint of the pipe with suitable material such as vinyl tape to avoid the entry of air.

5. Remove the front low-pressure flexible A/C hose. Refer to [ATC-156, "Components"](#) .

INSTALLATION

Installation is in the reverse order of removal.

Refer to [ATC-156, "Components"](#) .

REFRIGERANT LINES

CAUTION:

- Replace the O-ring of the front low-pressure flexible A/C hose with a new one, then apply compressor oil to it for installation.
- After charging refrigerant, check for leaks.

Removal and Installation for Front Low-pressure A/C Pipe

EJS002YD

REMOVAL

1. Discharge the refrigerant. Refer to [ATC-154, "HFC-134a \(R-134a\) Service Procedure"](#) .
2. Disconnect the heater pump connector.
3. Remove the heater pump from the bracket and reposition out of the way. Do not disconnect the heater hoses from the heater pump.
4. Remove the front low-pressure A/C pipe. Refer to [ATC-156, "Components"](#) .

CAUTION:

Cap or wrap the joint of the pipe with suitable material such as vinyl tape to avoid the entry of air.

INSTALLATION

Installation is in the reverse order of removal.
Refer to [ATC-156, "Components"](#) .

CAUTION:

- Replace the O-ring of the front low-pressure A/C pipe with a new one, then apply compressor oil to it for installation.
- After charging refrigerant, check for leaks.

Removal and Installation for Rear High- and Low-pressure A/C Pipes

EJS003BD

REMOVAL

1. Discharge the refrigerant. Refer to [ATC-154, "HFC-134a \(R-134a\) Service Procedure"](#) .
2. Remove the rear RH interior trim panel. Refer to [EI-27, "Components"](#) .
3. Remove the rear high- and low-pressure A/C pipes. Refer to [ATC-156, "Components"](#) .

CAUTION:

Cap or wrap the joint of the pipe with suitable material such as vinyl tape to avoid the entry of air.

INSTALLATION

Installation is in the reverse order of removal.
Refer to [ATC-156, "Components"](#) .

CAUTION:

- Replace the O-ring of the rear high- and low-pressure A/C pipes with a new one, then apply compressor oil to it for installation.
- After charging refrigerant, check for leaks.

Removal and Installation for Underfloor Rear High- and Low-pressure A/C and Heater Core Pipes

EJS003BE

REMOVAL

1. Release the fuel pressure. Refer to [EC-91, "FUEL PRESSURE RELEASE"](#) .
2. Drain the engine coolant. Refer to [MA-13, "Changing Engine Coolant"](#) .
3. Disconnect the negative battery terminal.
4. Discharge the refrigerant. Refer to [ATC-154, "HFC-134a \(R-134a\) Service Procedure"](#) .
5. Remove the rear bumper. Refer to [EI-15, "REAR BUMPER"](#) .
6. Disconnect the fuel filler pipe and vent pipe from the lower fuel filler hose and fuel tank.
7. Remove the front fender protector. Refer to [EI-21, "Removal and Installation of Front Fender Protector"](#) .
8. Disconnect the chassis harness connector.
9. Remove the front and rear RH wheels and tires. Refer to [WT-5, "WHEEL AND TIRE ASSEMBLY"](#) .
10. Disconnect the fuel feed hose quick connectors. Disconnect the quick connectors as follows:
 - Hold the sides of the connector, push in the tabs and pull out the tube.
 - If the connector and the tube are stuck together, push and pull several times until they start to move. Then disconnect them by pulling.

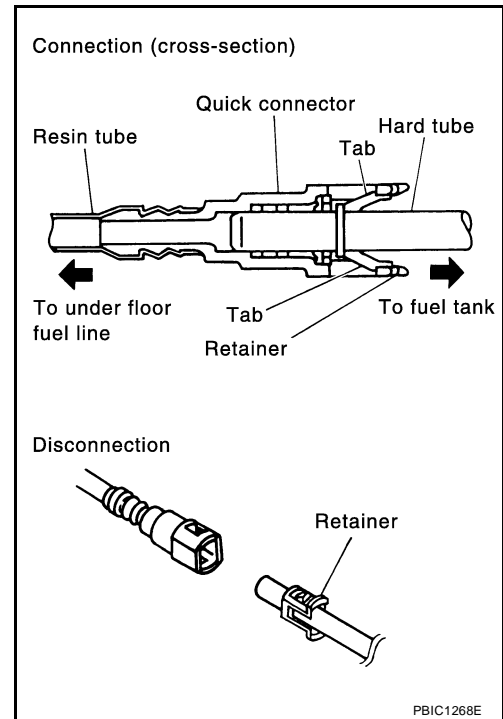
A
B
C
D
E
F
G
H
I
K
L
M

ATC

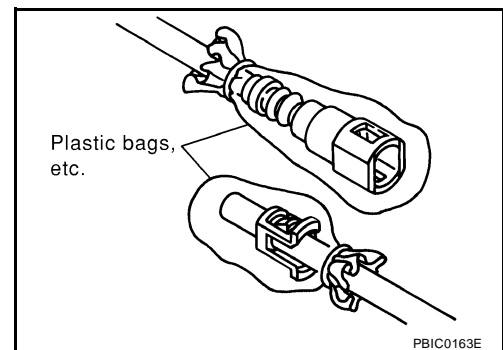
REFRIGERANT LINES

CAUTION:

- The quick connector can be disconnected when the tabs are completely depressed. Do not twist the quick connector more than necessary.
- Do not use any tools to disconnect the quick connector.
- Keep the resin tube away from heat. Be especially careful when welding near the tube.
- Prevent any acid liquids such as battery electrolyte, from getting on the resin tube.
- Do not bend or twist the resin tube during connection.
- Do not remove the remaining retainer on the hard tube (or the equivalent) except when the resin tube or the retainer is replaced.
- When the resin tube or hard tube, or the equivalent, is replaced, also replace the retainer with a new one (semi-transparent colored retainer).



- To keep the quick connector clean and to avoid damage and contamination from foreign materials, cover the quick connector with plastic bags or suitable material as shown.



11. Disconnect the frame mounted brake tubes from the brake system. Refer to [BR-13, "BRAKE PIPING AND HOSE"](#).
12. Remove the upper radiator mounting plates. Refer to [CO-11, "RADIATOR"](#).
13. Disconnect the A/C lines ground strap.
14. Disconnect the exhaust system ground strap. Refer to [EX-3, "EXHAUST SYSTEM"](#).
15. Disconnect each end of the underfloor rear high- and low-pressure A/C and heater core pipes. Refer to [ATC-156, "Components"](#).

CAUTION:

Cap or wrap the joint of the pipes with suitable material such as vinyl tape to avoid the entry of air.

16. Remove the front floor heat shield.
17. Remove the heater pipe heat shield.
18. Disconnect the steering column from the power steering gear. Refer to [PS-15, "POWER STEERING GEAR AND LINKAGE"](#).
19. Set four suitable jacks at the body mount points to support the vehicle body when it is separated from the frame.
20. Remove the body mount bolts. Refer to [BL-124, "BODY REPAIR"](#).
21. Use the vehicle hoist to lower the frame from the body [approximately 457 mm (18 in)] until there is sufficient clearance for the underfloor rear high- and low-pressure A/C and heater core pipes from the body.
22. Remove the underfloor rear high- and low-pressure A/C and heater core pipes.

REFRIGERANT LINES

INSTALLATION

Installation is in the reverse order of removal.

CAUTION:

- Replace the O-ring of the underfloor rear high- and low-pressure A/C and heater core pipes with a new one, then apply compressor oil to it for installation.
- After charging refrigerant, check for leaks.

Removal and Installation for Refrigerant Pressure Sensor

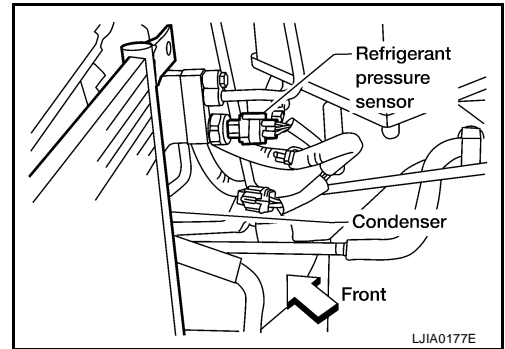
EJS002YE

REMOVAL

1. Discharge the refrigerant. Refer to [ATC-154, "HFC-134a \(R-134a\) Service Procedure"](#) .
2. Disconnect the refrigerant pressure sensor harness connector and remove the refrigerant pressure sensor from the condenser.

CAUTION:

Be careful not to damage the condenser fins.



INSTALLATION

Installation is in the reverse order of removal.

Refer to [ATC-156, "Components"](#) .

CAUTION:

- Be careful not to damage the condenser fins.
- Replace the O-ring of the refrigerant pressure sensor with a new one, then apply compressor oil to it for installation.
- After charging refrigerant, check for leaks.

Removal and Installation for Condenser

EJS002YF

REMOVAL

1. Discharge the refrigerant. Refer to [ATC-154, "HFC-134a \(R-134a\) Service Procedure"](#) .
2. Remove the radiator. Refer to [CO-11, "RADIATOR"](#) .

CAUTION:

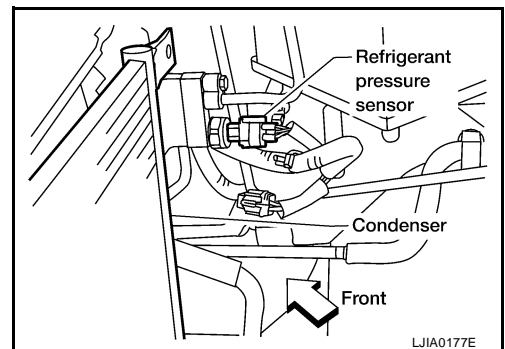
Be careful not to damage the core surface of the condenser and the radiator.

3. Disconnect the front high-pressure flexible A/C hose and the front high-pressure A/C pipe from the condenser.

CAUTION:

Cap or wrap the joint of the pipes with suitable material such as vinyl tape to avoid the entry of air.

4. Disconnect the refrigerant pressure sensor harness connector.
5. Remove the refrigerant pressure sensor from the condenser.
6. Lift the condenser out of the mounting grommets and remove the condenser.



INSTALLATION

Installation is in the reverse order of removal.

Refer to [ATC-156, "Components"](#) .

A
B
C
D
E
F
G
H
I
K
L
M

ATC

REFRIGERANT LINES

CAUTION:

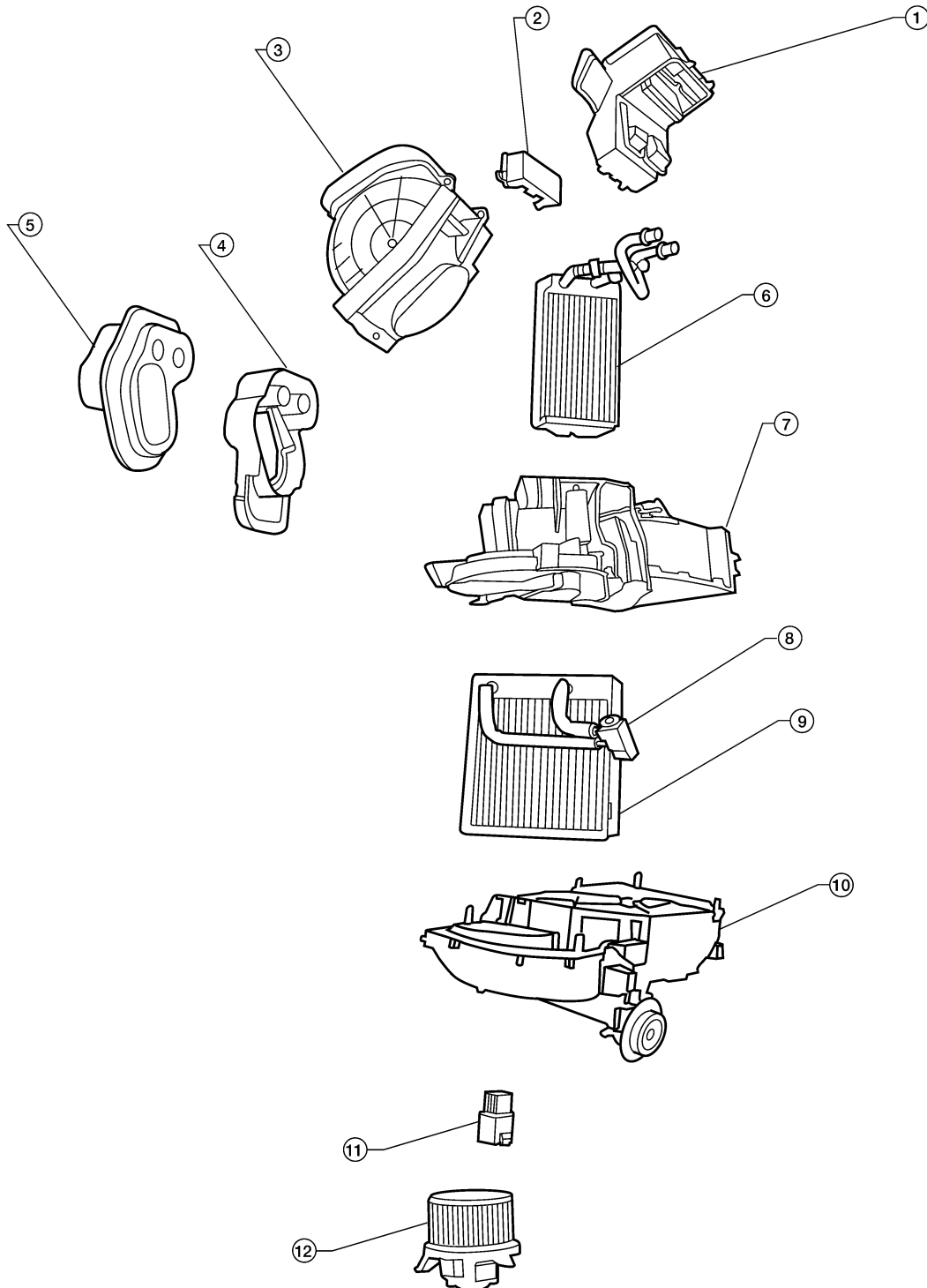
- Replace the O-rings of the front high-pressure A/C pipe, refrigerant pressure sensor, and front high-pressure flexible A/C hose with new ones, then apply compressor oil to them for installation.
- After charging refrigerant, check for leaks.
- Replace the mounting grommets as necessary.

Removal and Installation for Front Evaporator

EJS002YG

Front Heater and Cooling Unit Assembly

SEC. 270 • 271 • 272



LJIA0178E

REFRIGERANT LINES

-
- | | | | |
|---|---|----------------------|---|
| 1. Center ventilator connector duct | 2. Front heater core cover | 3. Intake air case | A |
| 4. Front heater core and evaporator pipes bracket | 5. Front heater core and evaporator pipes grommet | 6. Front heater core | B |
| 7. Upper heater and cooling unit case | 8. Front expansion valve | 9. Front evaporator | B |
| 10. Lower heater and cooling unit case | 11. Variable blower control | 12. Blower motor | B |

REMOVAL

1. Remove the front heater core. Refer to [ATC-141, "FRONT HEATER CORE"](#).
2. Separate the heater and cooling unit case.
3. Remove the front evaporator.

INSTALLATION

Installation is in the reverse order of removal.

CAUTION:

Replace the O-rings on the front A/C low-pressure flexible A/C hose and the front high-pressure A/C pipe with new ones. Apply compressor oil to the O-rings for installation.

A

B

C

D

E

F

G

H

I

ATC

K

L

M

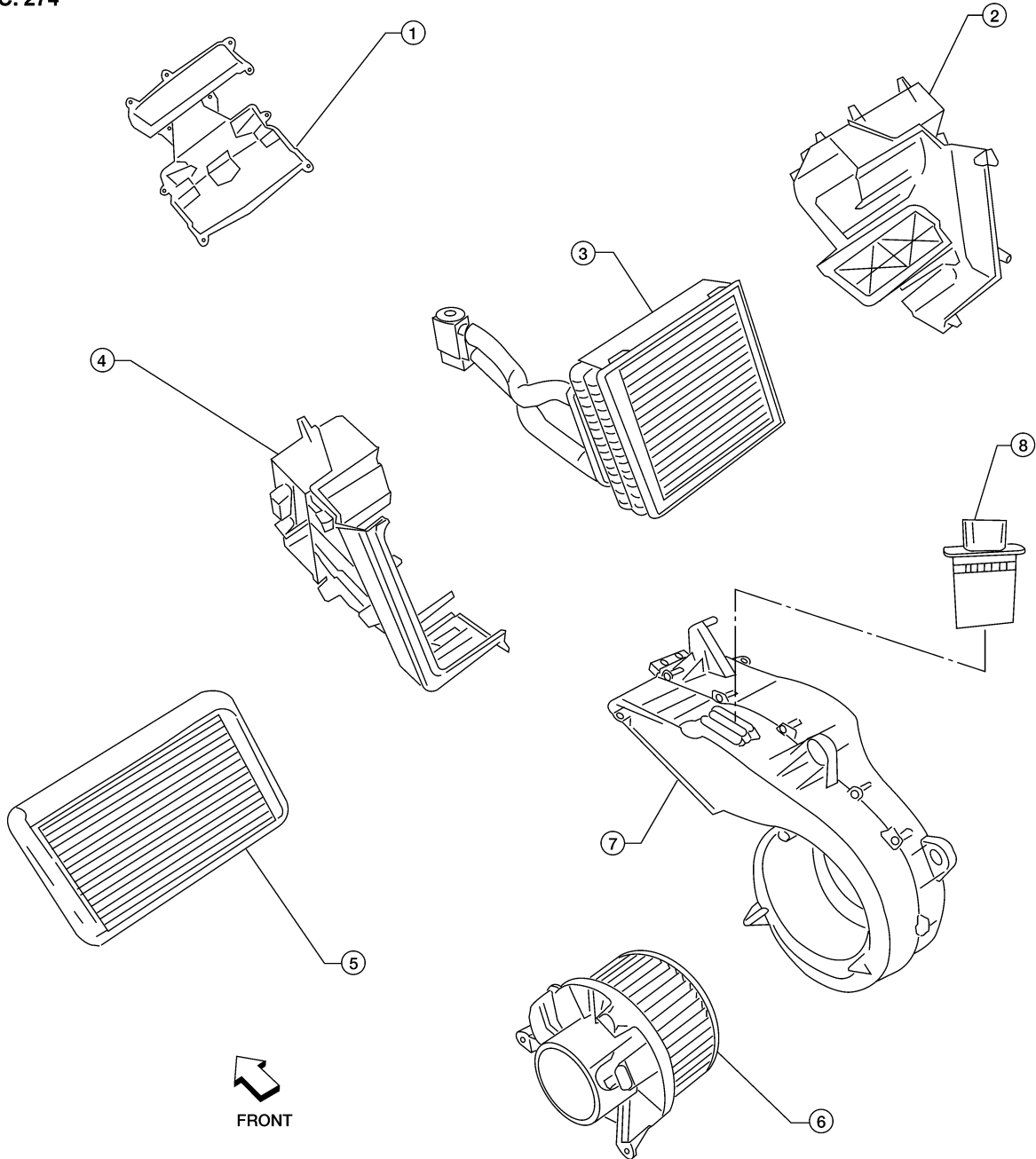
REFRIGERANT LINES

Removal and Installation for Rear Evaporator

EJS002YH

Rear Heater and Cooling Unit Assembly

SEC. 274



- | | | |
|----------------------|---|----------------------|
| 1. Front cover | 2. Rear evaporator and heater core case | 3. Rear evaporator |
| 4. Side cover | 5. Rear heater core | 6. Rear blower motor |
| 7. Blower motor case | 8. Rear blower motor resistor | |

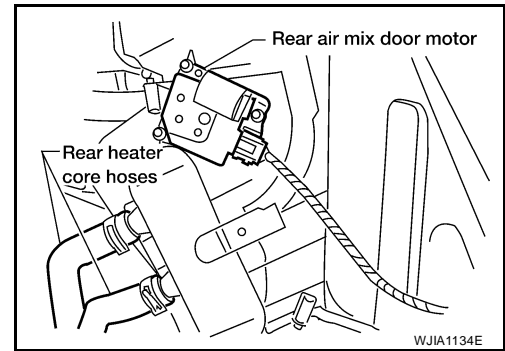
LJJA0135E

REMOVAL

1. Remove the rear heater and cooling unit assembly from the vehicle. Refer to [ATC-138, "REAR HEATER AND COOLING UNIT ASSEMBLY"](#).
2. Remove the rear blower motor.
3. Remove the rear blower speed resistor.

REFRIGERANT LINES

4. Remove the rear air mix door motor.
5. Remove the rear duct and blend door assembly. Refer to [ATC-151, "DEFROSTER NOZZLE"](#).
6. Disassemble the rear heater and cooling unit assembly to remove the rear evaporator.



INSTALLATION

Installation is in the reverse order of removal.

CAUTION:

- Replace the O-rings on the rear high- and low-pressure A/C pipes with new ones. Apply compressor oil to the O-rings for installation.
- After charging refrigerant, check for leaks.

Removal and Installation for Front Expansion Valve

EJS002YI

REMOVAL

1. Discharge the refrigerant. Refer to [ATC-154, "HFC-134a \(R-134a\) Service Procedure"](#).
2. Remove the front heater and cooling unit assembly. Refer to [ATC-137, "FRONT HEATER AND COOLING UNIT ASSEMBLY"](#).
3. Remove the front heater core and evaporator pipes grommet.
4. Remove the front expansion valve.

INSTALLATION

Installation is in the reverse order of removal.

Expansion valve bolts : Refer to [ATC-156, "Components"](#)

A/C refrigerant pipe to expansion valve bolt : Refer to [ATC-156, "Components"](#)

CAUTION:

- Replace the O-rings on then front expansion valve and the A/C refrigerant pipes with new ones, then apply compressor oil to them for installation.
- After charging refrigerant, check for leaks.

Removal and Installation for Rear Expansion Valve

EJS002YJ

REMOVAL

1. Discharge the refrigerant. Refer to [ATC-154, "HFC-134a \(R-134a\) Service Procedure"](#).
2. Remove the rear RH interior side trim panel access door.
3. Disconnect the rear high- and low-pressure A/C pipes from the rear expansion valve.

CAUTION:

Cap or wrap the A/C refrigerant pipe ends with a suitable material such as vinyl tape to avoid the entry of air and contaminants.

4. Remove the expansion valve.

INSTALLATION

Installation is in the reverse order of removal.

Expansion valve bolts : Refer to [ATC-156, "Components"](#)

A/C refrigerant pipe to expansion valve bolt : Refer to [ATC-156, "Components"](#)

REFRIGERANT LINES

CAUTION:

- Replace the O-rings on the rear expansion valve and the rear high- and low-pressure A/C pipes with new ones, then apply compressor oil to them for installation.
- After charging refrigerant, check for leaks.

Checking for Refrigerant Leaks

EJS002YK

Perform a visual inspection of all refrigeration parts, fittings, hoses and components for signs of A/C lubricant leakage, damage, and corrosion. Any A/C lubricant leakage may indicate an area of refrigerant leakage. Allow extra inspection time in these areas when using either an electronic refrigerant leak detector (J-41995) or fluorescent dye leak detector (J-42220).

If any dye is observed using a fluorescent dye leak detector (J-42220), confirm the leak using a electronic refrigerant leak detector (J-41995). It is possible that the dye is from a prior leak that was repaired and not properly cleaned.

When searching for leaks, do not stop when one leak is found but continue to check for additional leaks at all system components and connections.

When searching for refrigerant leaks using an electronic refrigerant leak detector (J-41995), move the probe along the suspected leak area at 25 - 50 mm (1 - 2 in) per second and no further than 6 mm (1/4 in) from the component.

CAUTION:

Moving the electronic refrigerant leak detector probe slower and closer to the suspected leak area will improve the chances of finding a leak.

Checking System for Leaks Using the Fluorescent Dye Leak Detector

EJS002YL

1. Check the A/C system for leaks using the fluorescent dye leak detector and safety goggles (J-42220) in a low sunlight area (area without windows preferable). Illuminate all components, fittings and lines. The dye will appear as a bright green/yellow area at the point of leakage. Fluorescent dye observed at the evaporator drain opening indicates an evaporator core assembly leak (tubes, core or expansion valve).
2. If the suspected area is difficult to see, use an adjustable mirror or wipe the area with a clean shop rag or cloth, then inspect the shop rag or cloth with the fluorescent dye leak detector (J-42220) for dye residue.
3. After the leak is repaired, remove any residual dye using refrigerant dye cleaner (J-43872) to prevent future misdiagnosis.
4. Perform a system performance check and then verify the leak repair using a electronic refrigerant leak detector (J-41995).

NOTE:

- Other gases in the work area or substances on the A/C components, for example, anti-freeze, windshield washer fluid, solvents and lubricants, may falsely trigger the leak detector. Make sure the surfaces to be checked are clean.
- Clean with a dry cloth or blow off with shop air.
- Do not allow the sensor tip of the electronic refrigerant leak detector (J-41995) to contact with any substance. This can also cause false readings and may damage the detector.

Dye Injection

EJS002YM

NOTE:

This procedure is only necessary when recharging the system or when the compressor has seized and must be replaced.

1. Check the A/C system static (at rest) pressure. Pressure must be at least 345 kPa (3.52 kg/cm², 50 psi).
2. Pour one bottle 7.4 cc (1/4 ounce) of the HFC-134a (R-134a) fluorescent leak detection dye (J-41447) into the HFC-134a (R-134a) refrigerant dye injector (J-41459).

CAUTION:

If repairing the A/C system or replacing a component, pour the HFC-134a (R-134a) fluorescent leak detection dye (J-41447) directly into the open system connection and proceed with the service procedures.

3. Connect the refrigerant dye injector (J-41459) to the low-pressure service valve.
4. Start the engine and switch the A/C system ON.
5. When the A/C system is operating (compressor running), inject one bottle 7.4 cc (1/4 ounce) of HFC-134a (R-134a) fluorescent leak detection dye (J-41447) through the low-pressure service valve using HFC-134a (R-134a) refrigerant dye injector (J-41459). Refer to the manufacturer's operating instructions.

REFRIGERANT LINES

6. With the engine still running, disconnect the HFC-134a (R-134a) refrigerant dye injector (J-41459) from the low-pressure service valve.
7. Operate the A/C system for a minimum of 20 minutes to mix the HFC-134a (R-134a) fluorescent leak detection dye (J-41447) with the A/C system oil. Depending on the leak size, operating conditions and location of the leak, it may take from minutes to days for the HFC-134a (R-134a) fluorescent leak detection dye to penetrate an A/C system leak and become visible.

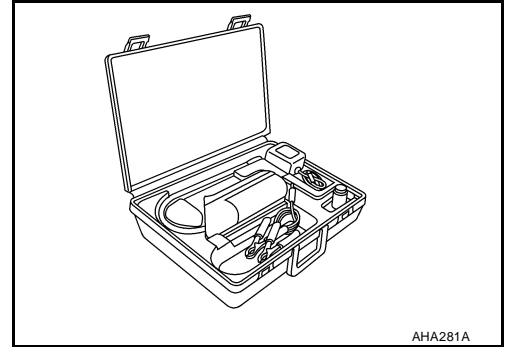
Electronic Refrigerant Leak Detector PRECAUTIONS FOR HANDLING LEAK DETECTOR

EJS002YN

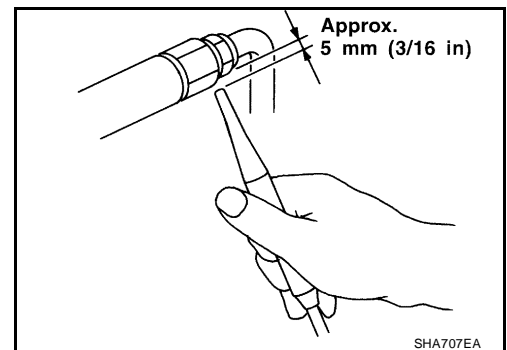
NOTE:

When performing a refrigerant leak check, use a electronic refrigerant leak detector (J-41995) or equivalent. Ensure that the electronic refrigerant leak detector (J-41995) is calibrated and set properly according to the manufacturer's operating instructions.

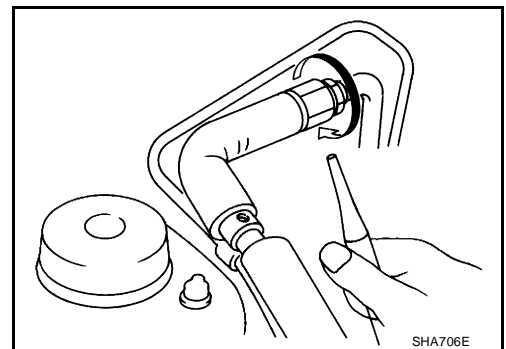
The electronic refrigerant leak detector (J-41995) is a delicate device. To use the leak detector properly, read the manufacturer's operating instructions and perform any specified maintenance.



1. Position the probe approximately 5 mm (3/16 in) away from the point to be checked as shown.



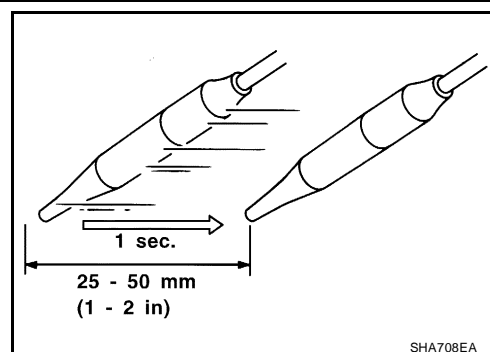
2. When checking for leaks, circle each fitting completely with the probe as shown.



A
B
C
D
E
F
G
H
I
ATC
K
L
M

REFRIGERANT LINES

3. Move the probe along each component at a speed of approximately 25 - 50 mm (1 - 2 in)/second as shown.



CHECKING PROCEDURE

NOTE:

To prevent inaccurate or false readings, make sure there is no refrigerant vapor, shop chemicals, or cigarette smoke in the vicinity of the vehicle. Perform the leak test in a calm area (low air/wind movement) so that the leaking refrigerant is not dispersed.

1. Turn the engine OFF.
2. Connect the manifold gauge set (J-39183-C) to the A/C service ports. Refer to [ATC-154, "SETTING OF SERVICE TOOLS AND EQUIPMENT"](#).
3. Check if the A/C refrigerant pressure is at least 345 kPa (3.52 kg/cm², 50 psi) above a temperature of 16°C (61°F). If less than specification, recover/evacuate and recharge the system with the specified amount of refrigerant. Refer to [ATC-154, "HFC-134a \(R-134a\) Service Procedure"](#).

NOTE:

At temperatures below 16°C (61°F), leaks may not be detected since the system may not reach 345 kPa (3.52 kg/cm², 50 psi) pressure.

4. Perform the leak test from the high-pressure side (front A/C compressor discharge "a" to evaporator inlet "f" or rear piping connection "l") to the low-pressure side (front A/C evaporator drain hose "g" to shaft seal "k" and rear A/C evaporator drain hose "o" to piping connection "r"). Refer to [ATC-156, "Components"](#). Clean the component to be checked and carefully move the electronic refrigerant leak detector probe completely around the following connections and components.
 - Check the compressor shaft seal
 - Check the high and low-pressure pipe and hose fittings, relief valve, and compressor shaft seal
 - Check the liquid tank
 - Check the refrigerant pressure sensor
 - Check all around the service valves. Check that the service valve caps are screwed tightly on the service valves (to prevent leaks).

NOTE:

After removing manifold gauge set (J-39183-C) from the service valves, wipe any residue from the service valves to prevent any false readings by the electronic refrigerant leak detector (J-41995).

- Evaporator
With engine OFF, turn blower fan on "High" for at least 15 seconds to dissipate any refrigerant trace in the heater and cooling unit assembly. Wait a minimum of 10 minutes accumulation time (refer to the manufacturer's recommended procedure for actual wait time) before inserting the electronic refrigerant leak detector probe into the heater and cooling unit assembly drain hose.

NOTE:

Keep the probe inserted for at least 10 seconds. Use caution not to contaminate the probe tip with water or dirt that may be in the drain hose.

5. If a leak is detected, verify at least once by blowing compressed air into the area of the suspected leak, then repeat the leak check.
6. Do not stop when one leak is found. Continue to check for additional leaks at all system components and connections.
7. If no leaks are found, perform steps 8 - 11.
8. Start the engine.
9. Set the heater A/C controls as follows:

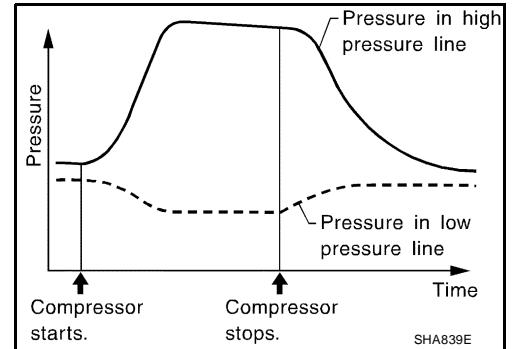
REFRIGERANT LINES

NOTE:

For the automatic system, turn OFF the automatic controls and set the heater A/C controls manually.

- a. A/C switch to ON
 - b. Air flow to VENT mode
 - c. Intake position to RECIRCULATION mode
 - d. Temperature to MAX cold
 - e. Blower speed to HIGH
10. Run the engine at 1,500 rpm for at least 2 minutes.
 11. Turn the engine OFF and perform the leak check again following steps 4 through 6 above.

Refrigerant leaks should be checked immediately after turning the engine OFF. Begin with the leak detector at the compressor. The pressure on the high pressure side will gradually drop after the refrigerant circulation stops and pressure on the low pressure side will gradually rise, as shown in the graph. Some leaks are more easily detected when the pressure is high.



12. Before connecting the recovery/recycling equipment to the vehicle, check the recovery/recycling equipment gauges. No refrigerant pressure should be displayed. If pressure is displayed, recover the refrigerant from the equipment lines and then check the refrigerant purity.
13. Confirm refrigerant purity in supply tank using recovery/recycling equipment and refrigerant identifier equipment (J-41810-NI).
14. Confirm the refrigerant purity in the vehicle's A/C system using recovery/recycling equipment and refrigerant identifier equipment (J-41810-NI).
15. Discharge the A/C system using recovery/recycling equipment. Repair the leaking fitting or component as necessary.
16. Evacuate and recharge the A/C system and perform the leak test to confirm that there are no refrigerant leaks.
17. Conduct the Operational Check to ensure system works properly. Refer to [ATC-52, "Operational Check \(Front\)"](#).

A
B
C
D
E
F
G
H
I
K
L
M

ATC

SERVICE DATA AND SPECIFICATIONS (SDS)

SERVICE DATA AND SPECIFICATIONS (SDS)

PFP:00030

Service Data and Specifications (SDS) COMPRESSOR

EJS002Y0

Make	ZEXEL VALEO CLIMATE CONTROL
Model	DKS-17D
Type	Swash plate
Displacement	175.5 cm ³ (10.7 in ³) / revolution
Cylinder bore × stroke	30.5 mm (1.20 in) x 24.0 mm (0.94 in)
Direction of rotation	Clockwise (viewed from drive end)
Drive belt	Poly V

LUBRICANT

Make	ZEXEL VALEO CLIMATE CONTROL
Name	Genuine NISSAN A/C System Lubricant Type S (DH-PS)
Part number	KLH00-PAGS0
Capacity	210 mℓ (7.1 US fl oz, 7.4 Imp fl oz)

REFRIGERANT

Type	HFC 134a (R-134a)
Capacity	0.85 ± 0.05 kg (1.87 ± 0.11 lb)

ENGINE IDLING SPEED

Refer to [EC-76, "Idle Speed and Ignition Timing Check"](#) .

BELT TENSION

Refer to [MA-13, "DRIVE BELT TENSION"](#) .