

SECTION **AP**

ADJUSTABLE PEDAL

CONTENTS

| | | | |
|---|----------|--|-----------|
| PRECAUTIONS | 2 | Automatic Drive Positioner Adjustable Pedal | 3 |
| Precautions for Supplemental Restraint System (SRS) "AIR BAG" and "SEAT BELT PRE-TENSIONER" | 2 | Adjustable Pedal (Only Manual Operation Model).... | 3 |
| ADJUSTABLE PEDAL SYSTEM | 3 | Trouble Diagnosis | 7 |
| | | Removal and Installation | 13 |

A
B
C
D
E
F
G
H
J
K
L
M

AP

PRECAUTIONS

PRECAUTIONS

PFP:00001

Precautions for Supplemental Restraint System (SRS) “AIR BAG” and “SEAT BELT PRE-TENSIONER”

EIS007W8

The Supplemental Restraint System such as “AIR BAG” and “SEAT BELT PRE-TENSIONER”, used along with a front seat belt, helps to reduce the risk or severity of injury to the driver and front passenger for certain types of collision. This system includes seat belt switch inputs and dual stage front air bag modules. The SRS system uses the seat belt switches to determine the front air bag deployment, and may only deploy one front air bag, depending on the severity of a collision and whether the front occupants are belted or unbelted. Information necessary to service the system safely is included in the SRS and SB section of this Service Manual.

WARNING:

- **To avoid rendering the SRS inoperative, which could increase the risk of personal injury or death in the event of a collision which would result in air bag inflation, all maintenance must be performed by an authorized NISSAN/INFINITI dealer.**
- **Improper maintenance, including incorrect removal and installation of the SRS, can lead to personal injury caused by unintentional activation of the system. For removal of Spiral Cable and Air Bag Module, see the SRS section.**
- **Do not use electrical test equipment on any circuit related to the SRS unless instructed to in this Service Manual. SRS wiring harnesses can be identified by yellow and/or orange harnesses or harness connectors.**

ADJUSTABLE PEDAL SYSTEM

PFP:98800

ADJUSTABLE PEDAL SYSTEM

Automatic Drive Positioner Adjustable Pedal

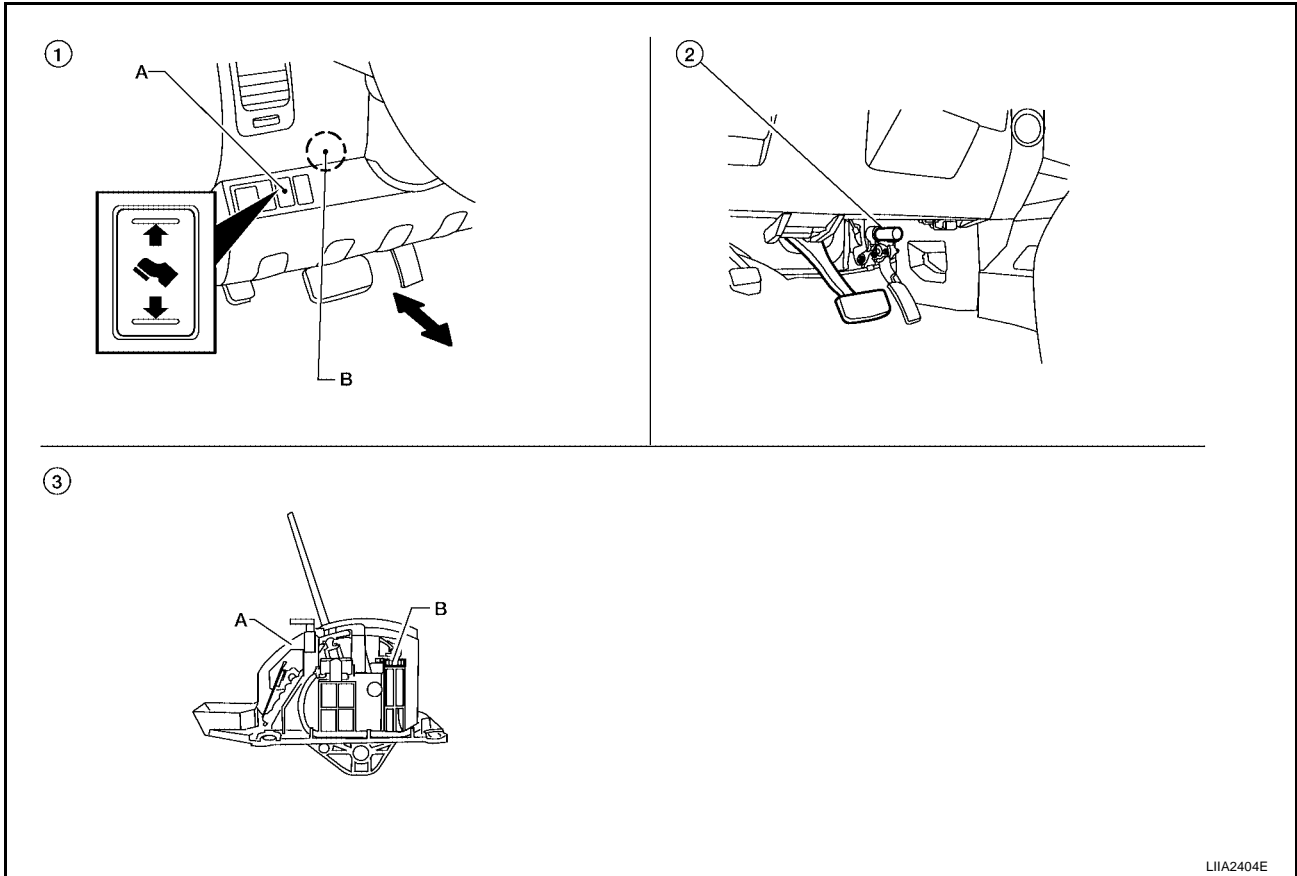
EIS007WA

For automatic drive positioner adjustable pedal, refer to [SE-11, "AUTOMATIC DRIVE POSITIONER"](#) .

Adjustable Pedal (Only Manual Operation Model)

EIS007WB

COMPONENT PARTS AND HARNESS CONNECTOR LOCATION



- | | | |
|---|-------------------------------|--|
| 1. A. Pedal adjusting switch M96 B. Pedal adjusting control unit M14, Circuit breaker-2 M82 | 2. Pedal adjusting motor E109 | 3. A. A/T selector lever B. A/T device (park position switch) M156 |
|---|-------------------------------|--|

SYSTEM DESCRIPTION

The adjustable pedal system power supply is controlled by the pedal adjusting control unit. Power is supplied at all times

- through 50A fusible link (letter **g** , located in the fuse and fusible link box)
- to circuit breaker-2 terminal 2
- through circuit breaker-2 terminal 1
- to pedal adjusting control unit terminal 5.

With the ignition switch in ON or START, power is supplied

- through 10A fuse [No. 12, located in the fuse block (J/B)]
- to pedal adjusting control unit terminal 4.

Ground is supplied

- to pedal adjusting switch terminal 4
- to pedal adjusting control unit terminal 1
- through body grounds M57, M61 and M79.

When the A/T selector lever is in P position, ground is supplied

- to pedal adjusting control unit terminal 3
- through A/T device terminal 4

A
B
C
D
E
F
G
H
I
J
K
L
M

AP

ADJUSTABLE PEDAL SYSTEM

- through A/T device terminal 2
- through body grounds M57, M61 and M79.

Then pedal adjusting control unit recognizes that the A/T selector lever is in P position.

With power supplied, pedal adjusting switch is energized.

When pedal is adjusted forward, power is supplied

- through pedal adjusting switch terminal 3
- to pedal adjusting motor terminal 1.

Then ground is supplied

- to pedal adjusting motor terminal 2
- through pedal adjusting switch terminal 2
- through pedal adjusting switch terminal 4
- through body grounds M57, M61 and M79.

When power and ground are supplied, accelerator and brake pedals move forward.

When pedal is adjusted backward, power is supplied

- through pedal adjusting switch terminal 2
- to pedal adjusting motor terminal 2.

Then ground is supplied

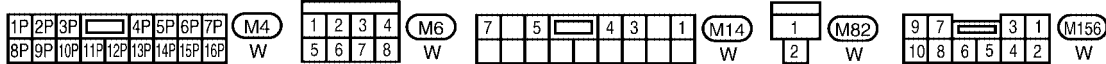
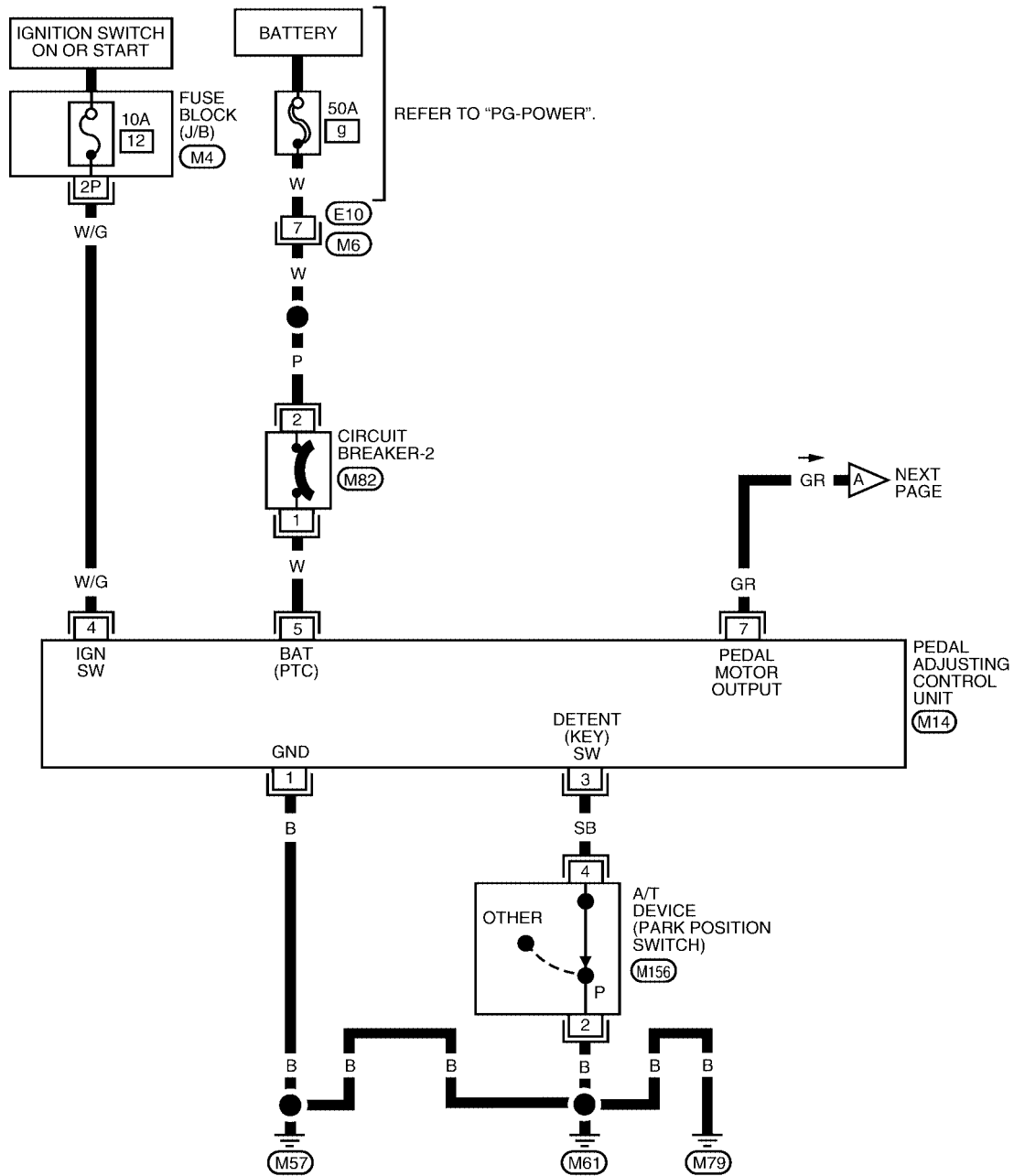
- to pedal adjusting motor terminal 1
- through pedal adjusting switch terminal 3
- through pedal adjusting switch terminal 4
- through body grounds M57, M61 and M79.

When power and ground are supplied, accelerator and brake pedals move backward.

ADJUSTABLE PEDAL SYSTEM

WIRING DIAGRAM — PEDAL —

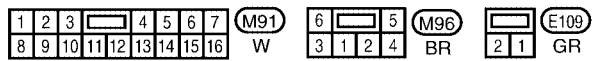
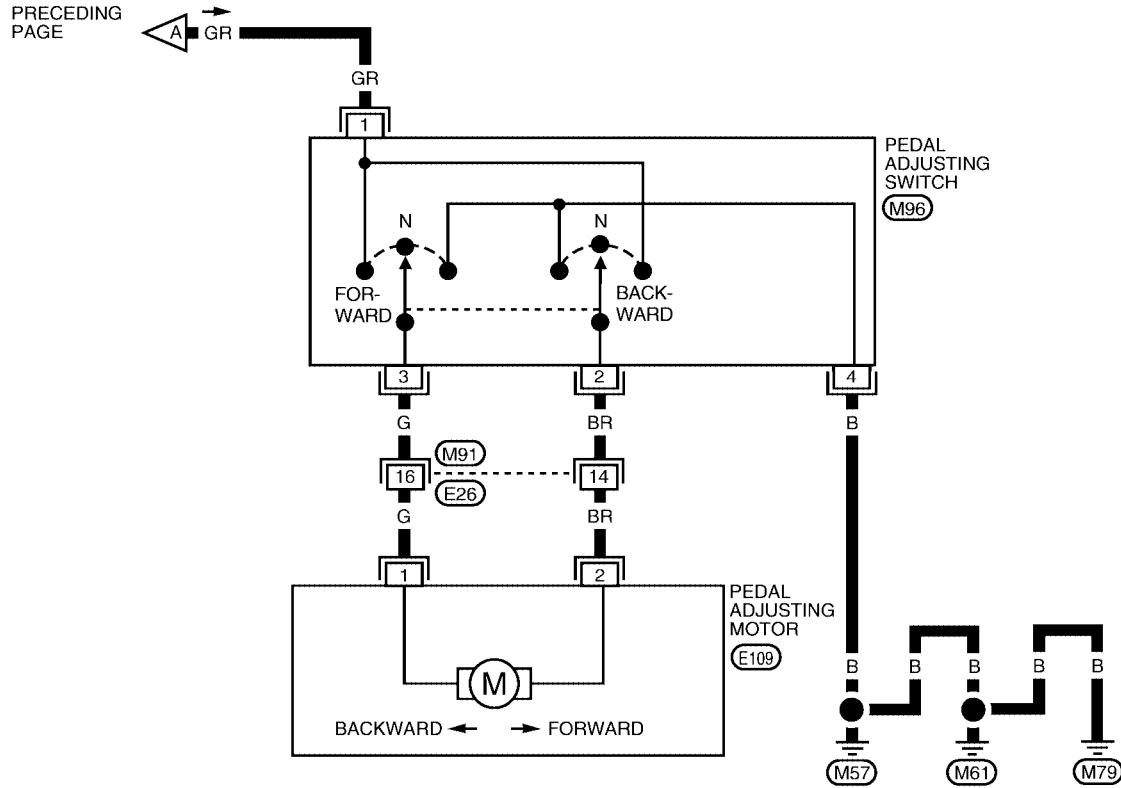
AP-PEDAL-01



WIWA1595E

ADJUSTABLE PEDAL SYSTEM

AP-PEDAL-02



W1WA1596E

ADJUSTABLE PEDAL SYSTEM

TERMINAL AND REFERENCE VALUE FOR PEDAL ADJUSTING CONTROL UNIT

| Terminal | Wire Color | Item | Conditon | Voltage (V) (Approx.) |
|----------|------------|--|---|--------------------------|
| 1 | B | Ground | — | 0 |
| 3 | SB | A/T device (park position switch) signal | A/T selector lever in other than P position | Battery voltage |
| | | | A/T selector lever in P position | 0 |
| 4 | W/G | Ignition switch (ON or START) | Ignition switch (ON or START position) | Battery voltage |
| 5 | W | Battery power supply | — | Battery voltage |
| 7 | GR | Pedal adjusting switch power supply output | Ignition switch ON A/T selector lever in other than P position | 0 |
| | | | Ignition switch OFF or ACC A/T selector lever in any position | |
| | | | Ignition switch ON A/T selector lever in P position | Battery voltage |

Trouble Diagnosis

EIS007WC

WORK FLOW

1. Check the symptom and customer's requests.
2. Perform the preliminary check. Refer to [AP-7, "PRELIMINARY CHECK"](#) .
3. According to the trouble diagnosis chart, repair or replace the cause of the malfunction. Refer to [AP-8, "TROUBLE DIAGNOSIS CHART BY SYMPTOM"](#) .
4. Does adjustable pedal system operate normally?
YES: GO TO 5.
NO: GO TO 3.
5. Inspection End.

PRELIMINARY CHECK

1. CHECK ADJUSTABLE PEDAL MECHANISM

Check the following.

- Movable part of accelerator pedal or brake pedal is deformed, or there is foreign material in it.
- Accelerator pedal or brake pedal is deformed or broken.

OK or NG

- OK >> Preliminary check is OK.
NG >> Repair or replace the malfunctioning part and check again.

ADJUSTABLE PEDAL SYSTEM

TROUBLE DIAGNOSIS CHART BY SYMPTOM

NOTE:

Always check the WORK FLOW before troubleshooting. Refer to [AP-7, "WORK FLOW"](#) .

| Symptom | Diagnosis / service procedure | Reference page |
|--|---|-----------------------|
| Adjustable pedal system does not operate. | 1. Pedal adjusting control unit power supply and ground circuit inspection. | AP-9 |
| | 2. Pedal adjusting switch power supply and ground circuit inspection. | AP-11 |
| | 3. Pedal adjusting motor circuit inspection. | AP-12 |
| | 4. Replace pedal adjusting motor. | AP-13 |
| Adjustable pedal system does operate when ignition switch is turned ON and A/T selector lever is in other than P position. | 1. A/T device (park position switch) circuit inspection. | AP-10 |
| | 2. Pedal adjusting control unit ignition signal inspection. | AP-8 |
| | 3. Replace pedal adjusting control unit. | — |
| Adjustable pedal system does not operate when ignition switch is turned ON and A/T selector lever is in P position. | 1. A/T device (park position switch) circuit inspection. | AP-10 |

PEDAL ADJUSTING CONTROL UNIT IGNITION SIGNAL INSPECTION

1. CHECK FUSE

Check 10A fuse [No. 12, located in fuse block (J/B)].

OK or NG

OK >> GO TO 2.

NG >> If fuse is blown, be sure to eliminate cause of malfunction before installing new fuse. Refer to [PG-4, "POWER SUPPLY ROUTING CIRCUIT"](#) .

2. CHECK PEDAL ADJUSTING CONTROL UNIT IGNITION POWER SUPPLY CIRCUIT

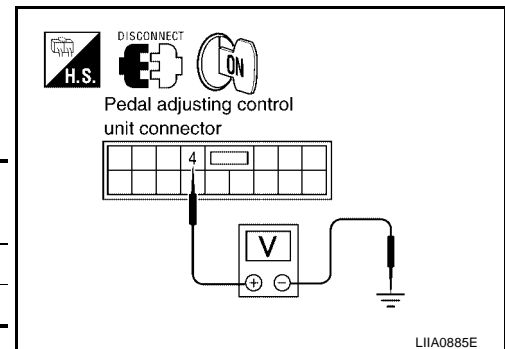
1. Turn ignition switch OFF.
2. Disconnect pedal adjusting control unit.
3. Check voltage between pedal adjusting control unit connector M14 terminal 4 and ground.

| Connector | Terminal | | Condition | Voltage (V) (Approx.) |
|-----------|----------|--------|---------------------|--------------------------|
| | (+) | (-) | | |
| M14 | 4 | Ground | Ignition switch ON | Battery voltage |
| | | | Ignition switch OFF | 0 |

OK or NG

OK >> Pedal adjusting control unit ignition signal is OK.

NG >> Repair or replace the harness.



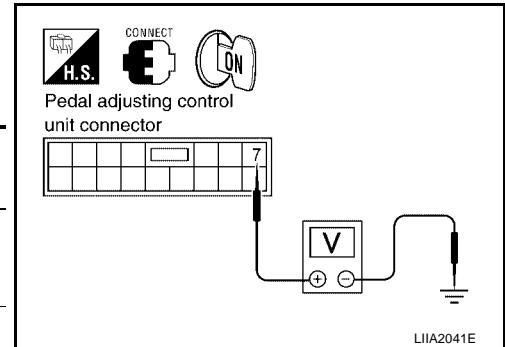
ADJUSTABLE PEDAL SYSTEM

PEDAL ADJUSTING CONTROL UNIT POWER SUPPLY AND GROUND INSPECTION

1. CHECK PEDAL ADJUSTING CONTROL UNIT OUTPUT POWER SUPPLY

1. Turn ignition switch ON.
2. Check voltage between pedal adjusting control unit connector M14 terminal 7 and ground.

| Connector | Terminal | | Condition | Voltage (V) (Approx.) |
|-----------|----------|--------|---|--------------------------|
| | (+) | (-) | | |
| M14 | 7 | Ground | Ignition switch ON A/T selector lever in P position | Battery voltage |
| | | | Ignition switch OFF A/T selector lever in other than P position | 0 |



OK or NG

- OK >> Pedal adjusting control unit power supply is OK.
- NG >> GO TO 2.

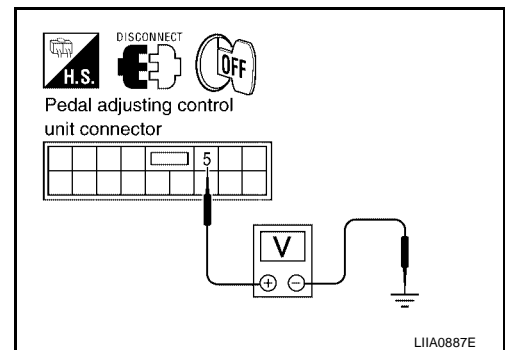
2. CHECK PEDAL ADJUSTING CONTROL UNIT POWER SUPPLY CIRCUIT

1. Turn ignition switch OFF.
2. Disconnect pedal adjusting control unit.
3. Check voltage between pedal adjusting control unit connector M14 terminal 5 and ground.

5 - Ground : Battery voltage

OK or NG

- OK >> GO TO 3.
- NG >> Repair or replace the harness.



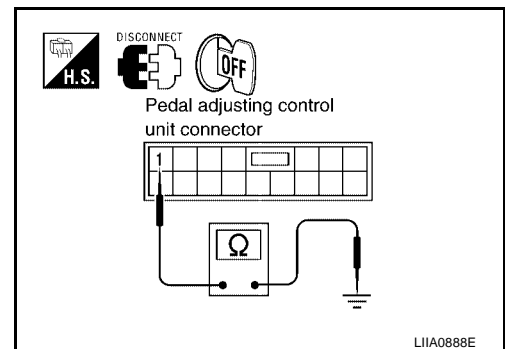
3. CHECK PEDAL ADJUSTING CONTROL UNIT GROUND CIRCUIT

Check continuity between pedal adjusting control unit connector M14 terminal 1 and ground.

1 - Ground : Continuity should exist.

OK or NG

- OK >> Pedal adjusting control unit power and ground circuit is OK.
- NG >> Repair or replace the harness.



ADJUSTABLE PEDAL SYSTEM

A/T DEVICE (PARK POSITION SWITCH) CIRCUIT INSPECTION

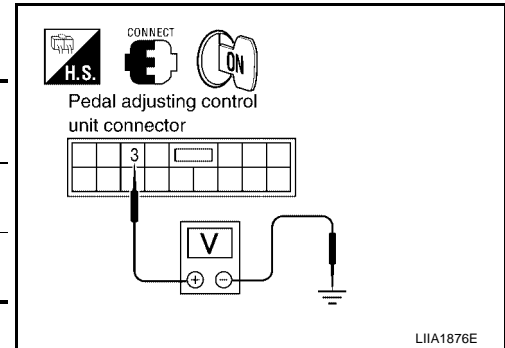
1. CHECK PEDAL ADJUSTING CONTROL UNIT A/T DEVICE (PARK POSITION SWITCH) INPUT CIRCUIT

1. Turn ignition switch ON.
2. Check voltage between pedal adjusting control unit connector M14 terminal 3 and ground.

| Connector | Terminal | | Condition | Voltage (V) (Approx.) |
|-----------|----------|--------|---|--------------------------|
| | (+) | (-) | | |
| M14 | 3 | Ground | A/T selector lever in P position | 0 |
| | | | A/T selector lever in other than P position | Battery voltage |

OK or NG

- OK >> GO TO 2.
 NG >> Replace pedal adjusting control unit.



2. CHECK A/T DEVICE HARNESS

1. Turn ignition switch OFF.
2. Disconnect pedal adjusting control unit and A/T device.
3. Check continuity between pedal adjusting control unit connector M14 terminal 3 and A/T device connector M156 terminal 4.

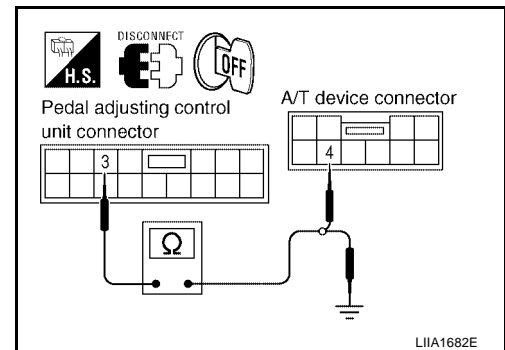
3 - 4 : Continuity should exist.

4. Check continuity between pedal adjusting control unit connector M14 terminal 3 and ground.

3 - Ground : Continuity should not exist.

OK or NG

- OK >> GO TO 3.
 NG >> Repair or replace harness.



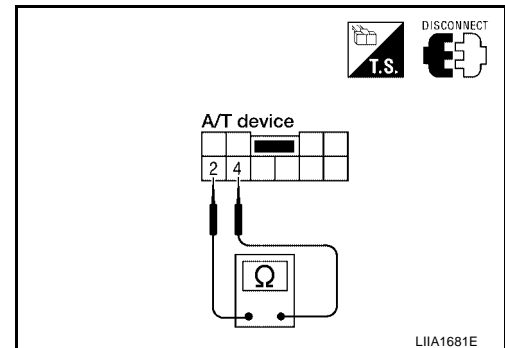
3. CHECK A/T DEVICE

Check continuity between A/T device terminals as follows.

| Terminal | | Condition | Continuity |
|----------|---|-----------------------|------------|
| 2 | 4 | P position | Yes |
| | | Other than P position | No |

OK or NG

- OK >> GO TO 4.
 NG >> Replace A/T device. Refer to [AT-221, "Control Device Removal and Installation"](#).



ADJUSTABLE PEDAL SYSTEM

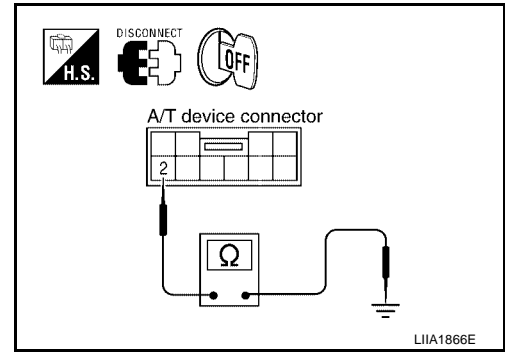
4. CHECK A/T DEVICE GROUND CIRCUIT

Check continuity between A/T device connector M156 terminal 2 and ground.

2 - Ground : Continuity should exist.

OK or NG

- OK >> Replace pedal adjusting control unit.
- NG >> Repair or replace harness.



PEDAL ADJUSTING SWITCH POWER SUPPLY AND GROUND INSPECTION

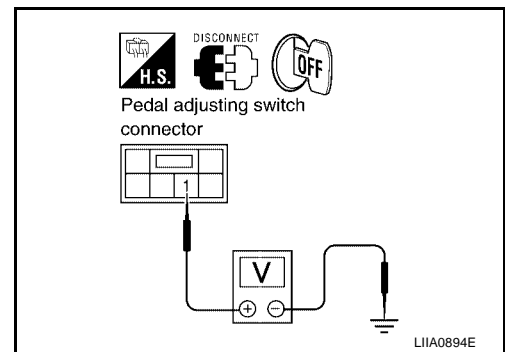
1. CHECK PEDAL ADJUSTING SWITCH POWER SUPPLY

1. Turn ignition switch OFF.
2. Disconnect pedal adjusting switch.
3. Check voltage between pedal adjusting switch connector M96 terminal 1 and ground.

7 - Ground : Battery voltage

OK or NG

- OK >> GO TO 3.
- NG >> GO TO 2.



2. CHECK PEDAL ADJUSTING SWITCH HARNESS

1. Disconnect pedal adjusting control unit.
2. Check continuity between pedal adjusting control unit connector M14 terminal 7 and pedal adjusting switch connector M96 terminal 1.

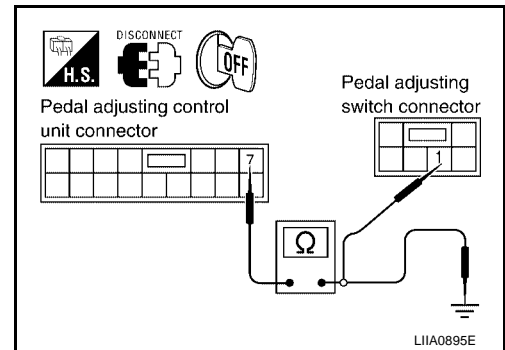
7 - 1 : Continuity should exist.

3. Check continuity between pedal adjusting control unit connector M14 terminal 7 and ground.

7 - Ground : Continuity should not exist.

OK or NG

- OK >> Replace pedal adjusting control unit.
- NG >> Repair or replace harness.



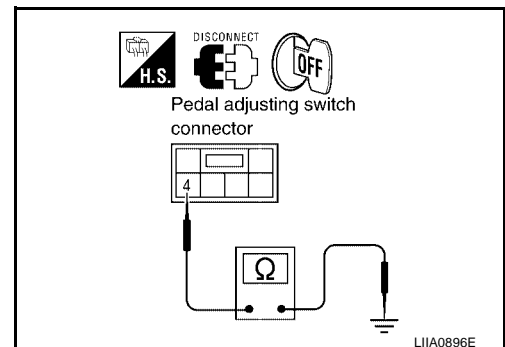
3. CHECK PEDAL ADJUSTING SWITCH GROUND CIRCUIT

Check continuity between pedal adjusting switch connector M96 terminal 4 and ground.

4 - Ground : Continuity should exist.

OK or NG

- OK >> Pedal adjusting switch power supply and ground circuit is OK.
- NG >> Repair or replace the harness.



A
B
C
D
E
F
G
H
AP
J
K
L
M

ADJUSTABLE PEDAL SYSTEM

PEDAL ADJUSTING MOTOR CIRCUIT INSPECTION

1. CHECK PEDAL ADJUSTING SWITCH

1. Turn ignition switch OFF.
2. Disconnect pedal adjusting switch.
3. Check continuity between pedal adjusting switch terminals as follows.

| Terminals | Condition | Continuity | |
|-----------|-----------|---------------------------------|-----|
| 3 | 1 | Pedal adjusting switch forward | Yes |
| | | Pedal adjusting switch neutral | No |
| | 4 | Pedal adjusting switch backward | Yes |
| | | Pedal adjusting switch neutral | No |
| 2 | 1 | Pedal adjusting switch backward | Yes |
| | | Pedal adjusting switch neutral | No |
| | 4 | Pedal adjusting switch forward | Yes |
| | | Pedal adjusting switch neutral | No |

OK or NG

- OK >> GO TO 2.
 NG >> Replace pedal adjusting switch.

2. CHECK PEDAL ADJUSTING MOTOR HARNESS

1. Disconnect pedal adjusting motor.
2. Check continuity between pedal adjusting switch connector M96 terminals 2, 3 and pedal adjusting motor connector E109 terminals 1, 2.

2 - 2 : Continuity should exist.

3 - 1 : Continuity should exist.

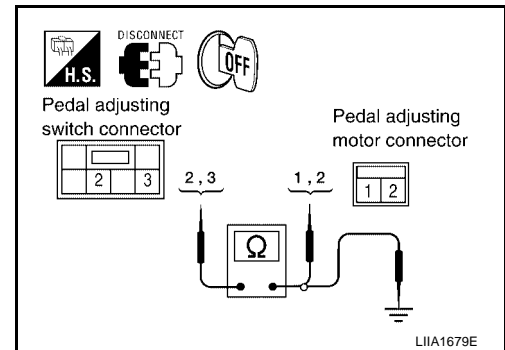
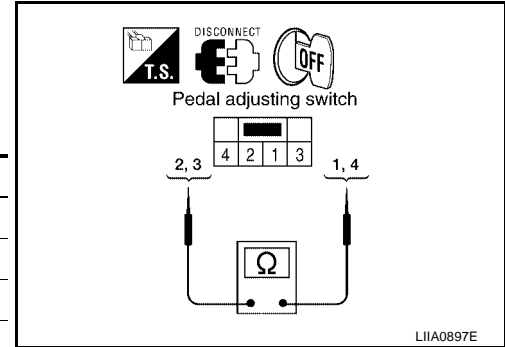
3. Check continuity between pedal adjusting switch connector M96 terminals 2, 3 and ground.

2 - Ground : Continuity should not exist.

3 - Ground : Continuity should not exist.

OK or NG

- OK >> Replace pedal adjusting motor.
 NG >> Repair or replace harness.



ADJUSTABLE PEDAL SYSTEM

Removal and Installation

EIS007WD

Refer to [ACC-3, "ACCELERATOR CONTROL SYSTEM"](#) and [BR-6, "BRAKE PEDAL"](#) .

A

B

C

D

E

F

G

H

AP

J

K

L

M

ADJUSTABLE PEDAL SYSTEM
