

SECTION EI
EXTERIOR & INTERIOR

A
B
C
D
E
F
G
H
EI
J
K
L
M

CONTENTS

PRECAUTIONS	3	FRONT GRILLE	16
Service Notice	3	Removal and Installation	16
Precautions for Supplemental Restraint System (SRS) "AIR BAG" and "SEAT BELT PRE-TEN- SIONER"	3	REMOVAL	16
PREPARATION	4	INSTALLATION	16
Special Service Tools	4	COWL TOP	17
Commercial Service Tools	4	Removal and Installation	17
SQUEAK AND RATTLE TROUBLE DIAGNOSES	5	REMOVAL	17
Work Flow	5	INSTALLATION	17
CUSTOMER INTERVIEW	5	FRONT FENDER	18
DUPLICATE THE NOISE AND TEST DRIVE	6	Removal and Installation	18
CHECK RELATED SERVICE BULLETINS	6	REMOVAL	18
LOCATE THE NOISE AND IDENTIFY THE ROOT CAUSE	6	INSTALLATION	18
REPAIR THE CAUSE	6	LICENSE LAMP FINISHER	19
CONFIRM THE REPAIR	7	Removal and Installation	19
Generic Squeak and Rattle Troubleshooting	7	REMOVAL	19
INSTRUMENT PANEL	7	INSTALLATION	19
CENTER CONSOLE	7	FENDER PROTECTOR	20
DOORS	7	Components	20
TRUNK	8	Removal and Installation of Front Fender Protector..	21
SUNROOF/HEADLINING	8	REMOVAL	21
OVERHEAD CONSOLE (FRONT AND REAR).....	8	INSTALLATION	21
SEATS	8	Removal and Installation of Rear Fender Protector..	21
UNDERHOOD	8	REMOVAL	21
Diagnostic Worksheet	9	INSTALLATION	21
CLIP AND FASTENER	11	RUNNING BOARDS	22
Clip and Fastener	11	Removal and Installation	22
FRONT BUMPER	14	REMOVAL	22
Removal and Installation	14	INSTALLATION	22
REMOVAL	14	ROOF RACK	23
INSTALLATION	14	Removal and Installation	23
REAR BUMPER	15	REMOVAL	23
Removal and Installation	15	INSTALLATION	23
REMOVAL	15	DOOR OUTSIDE MOLDING	24
INSTALLATION	15	Removal and Installation	24
		FRONT DOOR OUTSIDE MOLDING	24
		DOOR FINISHER	25
		Removal and Installation	25
		FRONT DOOR	25
		REAR DOOR	26
		BODY SIDE TRIM	27

Components	27	HEADLINING	30
Removal and installation	28	Removal and Installation	30
LOWER DASH SIDE FINISHER	28	REMOVAL	30
CENTER PILLAR LOWER FINISHER	28	INSTALLATION	31
CENTER PILLAR UPPER FINISHER	28	LUGGAGE FLOOR TRIM	32
FRONT PILLAR UPPER FINISHER	28	Components	32
FRONT PILLAR LOWER FINISHER	28	Removal and Installation	34
KICK PLATES	28	REMOVAL	34
FLOOR TRIM	29	INSTALLATION	34
Removal and Installation	29	BACK DOOR TRIM	35
REMOVAL	29	Removal and Installation	35
INSTALLATION	29	REMOVAL	35
		INSTALLATION	35

PRECAUTIONS

PRECAUTIONS

PFP:00001

Service Notice

EIS007TJ

- When removing or installing various parts, place a cloth or padding on the vehicle body to prevent scratches.
- Handle trim, molding, instruments, grille, etc. carefully during removing or installing. Be careful not to soil or damage them.
- Apply sealing compound where necessary when installing parts.
- When applying sealing compound, be careful that the sealing compound does not protrude from parts.
- When replacing any metal parts (for example body outer panel, members, etc.), be sure to take rust prevention measures.

Precautions for Supplemental Restraint System (SRS) “AIR BAG” and “SEAT BELT PRE-TENSIONER”

EIS007TK

The Supplemental Restraint System such as “AIR BAG” and “SEAT BELT PRE-TENSIONER”, used along with a front seat belt, helps to reduce the risk or severity of injury to the driver and front passenger for certain types of collision. This system includes seat belt switch inputs and dual stage front air bag modules. The SRS system uses the seat belt switches to determine the front air bag deployment, and may only deploy one front air bag, depending on the severity of a collision and whether the front occupants are belted or unbelted. Information necessary to service the system safely is included in the SRS and SB section of this Service Manual.

WARNING:

- **To avoid rendering the SRS inoperative, which could increase the risk of personal injury or death in the event of a collision which would result in air bag inflation, all maintenance must be performed by an authorized NISSAN/INFINITI dealer.**
- **Improper maintenance, including incorrect removal and installation of the SRS, can lead to personal injury caused by unintentional activation of the system. For removal of Spiral Cable and Air Bag Module, see the SRS section.**
- **Do not use electrical test equipment on any circuit related to the SRS unless instructed to in this Service Manual. SRS wiring harnesses can be identified by yellow and/or orange harnesses or harness connectors.**

A

B

C

D

E

F

G

H

EI

J

K

L

M

PREPARATION

PREPARATION

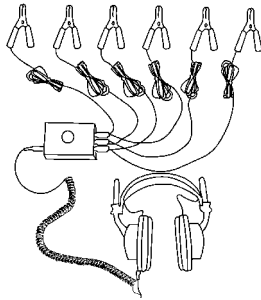
PFP:00002

Special Service Tools

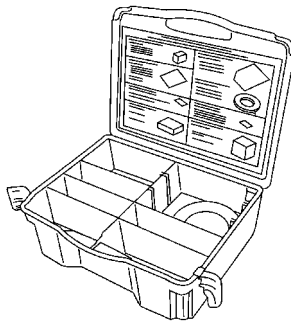
EIS007TL

The actual shapes of Kent-Moore tools may differ from those of special service tools illustrated here.

Tool number (Kent-Moore No.) Tool name	Description
— (J-39570) Chassis ear	Locating the noise
— (J-43980) NISSAN Squeak and Rattle kit	Repairing the cause of noise



SBT839

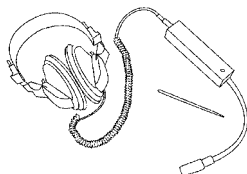


SBT840

Commercial Service Tools

EIS007TM

(Kent-Moore No.) Tool name	Description
(J-39565) Engine ear	Locating the noise



SIIA0995E

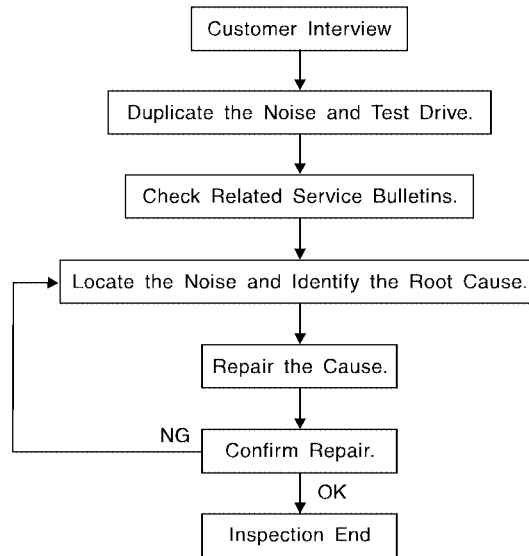
SQUEAK AND RATTLE TROUBLE DIAGNOSES

SQUEAK AND RATTLE TROUBLE DIAGNOSES

PF0:0000

Work Flow

EIS007TN



SBT842

CUSTOMER INTERVIEW

Interview the customer if possible, to determine the conditions that exist when the noise occurs. Use the Diagnostic Worksheet during the interview to document the facts and conditions when the noise occurs and any customer's comments; refer to [EI-9, "Diagnostic Worksheet"](#). This information is necessary to duplicate the conditions that exist when the noise occurs.

- The customer may not be able to provide a detailed description or the location of the noise. Attempt to obtain all the facts and conditions that exist when the noise occurs (or does not occur).
- If there is more than one noise in the vehicle, be sure to diagnose and repair the noise that the customer is concerned about. This can be accomplished by test driving the vehicle with the customer.
- After identifying the type of noise, isolate the noise in terms of its characteristics. The noise characteristics are provided so the customer, service adviser and technician are all speaking the same language when defining the noise.
- Squeak —(Like tennis shoes on a clean floor)
Squeak characteristics include the light contact/fast movement/brought on by road conditions/hard surfaces = higher pitch noise/softer surfaces = lower pitch noises/edge to surface = chirping.
- Creak—(Like walking on an old wooden floor)
Creak characteristics include firm contact/slow movement/twisting with a rotational movement/pitch dependent on materials/often brought on by activity.
- Rattle—(Like shaking a baby rattle)
Rattle characteristics include the fast repeated contact/vibration or similar movement/loose parts/missing clip or fastener/incorrect clearance.
- Knock —(Like a knock on a door)
Knock characteristics include hollow sounding/sometimes repeating/often brought on by driver action.
- Tick—(Like a clock second hand)
Tick characteristics include gentle contacting of light materials/loose components/can be caused by driver action or road conditions.
- Thump—(Heavy, muffled knock noise)
Thump characteristics include softer knock/dead sound often brought on by activity.
- Buzz—(Like a bumble bee)
Buzz characteristics include high frequency rattle/firm contact.
- Often the degree of acceptable noise level will vary depending upon the person. A noise that you may judge as acceptable may be very irritating to the customer.
- Weather conditions, especially humidity and temperature, may have a great effect on noise level.

SQUEAK AND RATTLE TROUBLE DIAGNOSES

DUPLICATE THE NOISE AND TEST DRIVE

If possible, drive the vehicle with the customer until the noise is duplicated. Note any additional information on the Diagnostic Worksheet regarding the conditions or location of the noise. This information can be used to duplicate the same conditions when you confirm the repair.

If the noise can be duplicated easily during the test drive, to help identify the source of the noise, try to duplicate the noise with the vehicle stopped by doing one or all of the following:

- 1) Close a door.
 - 2) Tap or push/pull around the area where the noise appears to be coming from.
 - 3) Rev the engine.
 - 4) Use a floor jack to recreate vehicle "twist".
 - 5) At idle, apply engine load (electrical load, A/T in drive position).
 - 6) Raise the vehicle on a hoist and hit a tire with a rubber hammer.
- Drive the vehicle and attempt to duplicate the conditions the customer states exist when the noise occurs.
 - If it is difficult to duplicate the noise, drive the vehicle slowly on an undulating or rough road to stress the vehicle body.

CHECK RELATED SERVICE BULLETINS

After verifying the customer concern or symptom, check ASIST for Technical Service Bulletins (TSBs) related to that concern or symptom.

If a TSB relates to the symptom, follow the procedure to repair the noise.

LOCATE THE NOISE AND IDENTIFY THE ROOT CAUSE

1. Narrow down the noise to a general area. To help pinpoint the source of the noise, use a listening tool (Chassis Ear: J-39570, Engine Ear: J-39565 and mechanic's stethoscope).
2. Narrow down the noise to a more specific area and identify the cause of the noise by:
 - removing the components in the area that you suspect the noise is coming from. Do not use too much force when removing clips and fasteners, otherwise clips and fasteners can be broken or lost during the repair, resulting in the creation of new noise.
 - tapping or pushing/pulling the component that you suspect is causing the noise. Do not tap or push/pull the component with excessive force, otherwise the noise will be eliminated only temporarily.
 - feeling for a vibration with your hand by touching the component(s) that you suspect is (are) causing the noise.
 - placing a piece of paper between components that you suspect are causing the noise.
 - looking for loose components and contact marks.
Refer to [EI-7, "Generic Squeak and Rattle Troubleshooting"](#).

REPAIR THE CAUSE

- If the cause is a loose component, tighten the component securely.
- If the cause is insufficient clearance between components:
 - separate components by repositioning or loosening and retightening the component, if possible.
 - insulate components with a suitable insulator such as urethane pads, foam blocks, felt cloth tape or urethane tape. A NISSAN Squeak and Rattle Kit (J-43980) is available through your authorized NISSAN Parts Department.

CAUTION:

Do not use excessive force as many components are constructed of plastic and may be damaged.

Always check with the Parts Department for the latest parts information.

The following materials are contained in the NISSAN Squeak and Rattle Kit (J-43980). Each item can be ordered separately as needed.

URETHANE PADS [1.5 mm (0.059 in) thick]

Insulates connectors, harness, etc.

76268-9E005: 100×135 mm (3.94×5.31 in)/76884-71L01: 60×85 mm (2.36×3.35 in)/76884-71L02: 15×25 mm (0.59×0.98 in)

INSULATOR (Foam blocks)

Insulates components from contact. Can be used to fill space behind a panel.

73982-9E000: 45 mm (1.77 in) thick, 50×50 mm (1.97×1.97 in)/73982-50Y00: 10 mm (0.39 in) thick, 50×50 mm (1.97×1.97 in)

INSULATOR (Light foam block)

SQUEAK AND RATTLE TROUBLE DIAGNOSES

80845-71L00: 30 mm (1.18 in) thick, 30×50 mm (1.18×1.97 in)

FELT CLOTH TAPE

Used to insulate where movement does not occur. Ideal for instrument panel applications.

68370-4B000: 15×25 mm (0.59×0.98 in) pad/68239-13E00: 5 mm (0.20 in) wide tape roll. The following materials not found in the kit can also be used to repair squeaks and rattles.

UHMW (TEFLON) TAPE

Insulates where slight movement is present. Ideal for instrument panel applications.

SILICONE GREASE

Used instead of UHMW tape that will be visible or not fit.

Note: Will only last a few months.

SILICONE SPRAY

Use when grease cannot be applied.

DUCT TAPE

Use to eliminate movement.

CONFIRM THE REPAIR

Confirm that the cause of a noise is repaired by test driving the vehicle. Operate the vehicle under the same conditions as when the noise originally occurred. Refer to the notes on the Diagnostic Worksheet.

Generic Squeak and Rattle Troubleshooting

EIS007TO

Refer to Table of Contents for specific component removal and installation information.

INSTRUMENT PANEL

Most incidents are caused by contact and movement between:

1. The cluster lid A and instrument panel
2. Acrylic lens and combination meter housing
3. Instrument panel to front pillar garnish
4. Instrument panel to windshield
5. Instrument panel mounting pins
6. Wiring harnesses behind the combination meter
7. A/C defroster duct and duct joint

These incidents can usually be located by tapping or moving the components to duplicate the noise or by pressing on the components while driving to stop the noise. Most of these incidents can be repaired by applying felt cloth tape or silicone spray (in hard to reach areas). Urethane pads can be used to insulate wiring harness.

CAUTION:

Do not use silicone spray to isolate a squeak or rattle. If you saturate the area with silicone, you will not be able to recheck the repair.

CENTER CONSOLE

Components to pay attention to include:

1. Shifter assembly cover to finisher
2. A/C control unit and cluster lid C
3. Wiring harnesses behind audio and A/C control unit

The instrument panel repair and isolation procedures also apply to the center console.

DOORS

Pay attention to the:

1. Finisher and inner panel making a slapping noise
2. Inside handle escutcheon to door finisher
3. Wiring harnesses tapping
4. Door striker out of alignment causing a popping noise on starts and stops

Tapping or moving the components or pressing on them while driving to duplicate the conditions can isolate many of these incidents. You can usually insulate the areas with felt cloth tape or insulator foam blocks from the NISSAN Squeak and Rattle Kit (J-43980) to repair the noise.

SQUEAK AND RATTLE TROUBLE DIAGNOSES

TRUNK

Trunk noises are often caused by a loose jack or loose items put into the trunk by the owner. In addition look for:

1. Trunk lid bumpers out of adjustment
2. Trunk lid striker out of adjustment
3. The trunk lid torsion bars knocking together
4. A loose license plate or bracket

Most of these incidents can be repaired by adjusting, securing or insulating the item(s) or component(s) causing the noise.

SUNROOF/HEADLINING

Noises in the sunroof/headlining area can often be traced to one of the following:

1. Sunroof lid, rail, linkage or seals making a rattle or light knocking noise
2. Sun visor shaft shaking in the holder
3. Front or rear windshield touching headliner and squeaking

Again, pressing on the components to stop the noise while duplicating the conditions can isolate most of these incidents. Repairs usually consist of insulating with felt cloth tape.

OVERHEAD CONSOLE (FRONT AND REAR)

Overhead console noises are often caused by the console panel clips not being engaged correctly. Most of these incidents are repaired by pushing up on the console at the clip locations until the clips engage.

In addition look for:

1. Loose harness or harness connectors.
2. Front console map/reading lamp lens loose.
3. Loose screws at console attachment points.

SEATS

When isolating seat noise it's important to note the position the seat is in and the load placed on the seat when the noise is present. These conditions should be duplicated when verifying and isolating the cause of the noise.

Cause of seat noise include:

1. Headrest rods and holder
2. A squeak between the seat pad cushion and frame
3. The rear seatback lock and bracket

These noises can be isolated by moving or pressing on the suspected components while duplicating the conditions under which the noise occurs. Most of these incidents can be repaired by repositioning the component or applying urethane tape to the contact area.

UNDERHOOD

Some interior noise may be caused by components under the hood or on the engine wall. The noise is then transmitted into the passenger compartment.

Causes of transmitted underhood noise include:

1. Any component mounted to the engine wall
2. Components that pass through the engine wall
3. Engine wall mounts and connectors
4. Loose radiator mounting pins
5. Hood bumpers out of adjustment
6. Hood striker out of adjustment

These noises can be difficult to isolate since they cannot be reached from the interior of the vehicle. The best method is to secure, move or insulate one component at a time and test drive the vehicle. Also, engine RPM or load can be changed to isolate the noise. Repairs can usually be made by moving, adjusting, securing, or insulating the component causing the noise.

SQUEAK AND RATTLE TROUBLE DIAGNOSES

Diagnostic Worksheet

EIS007TP



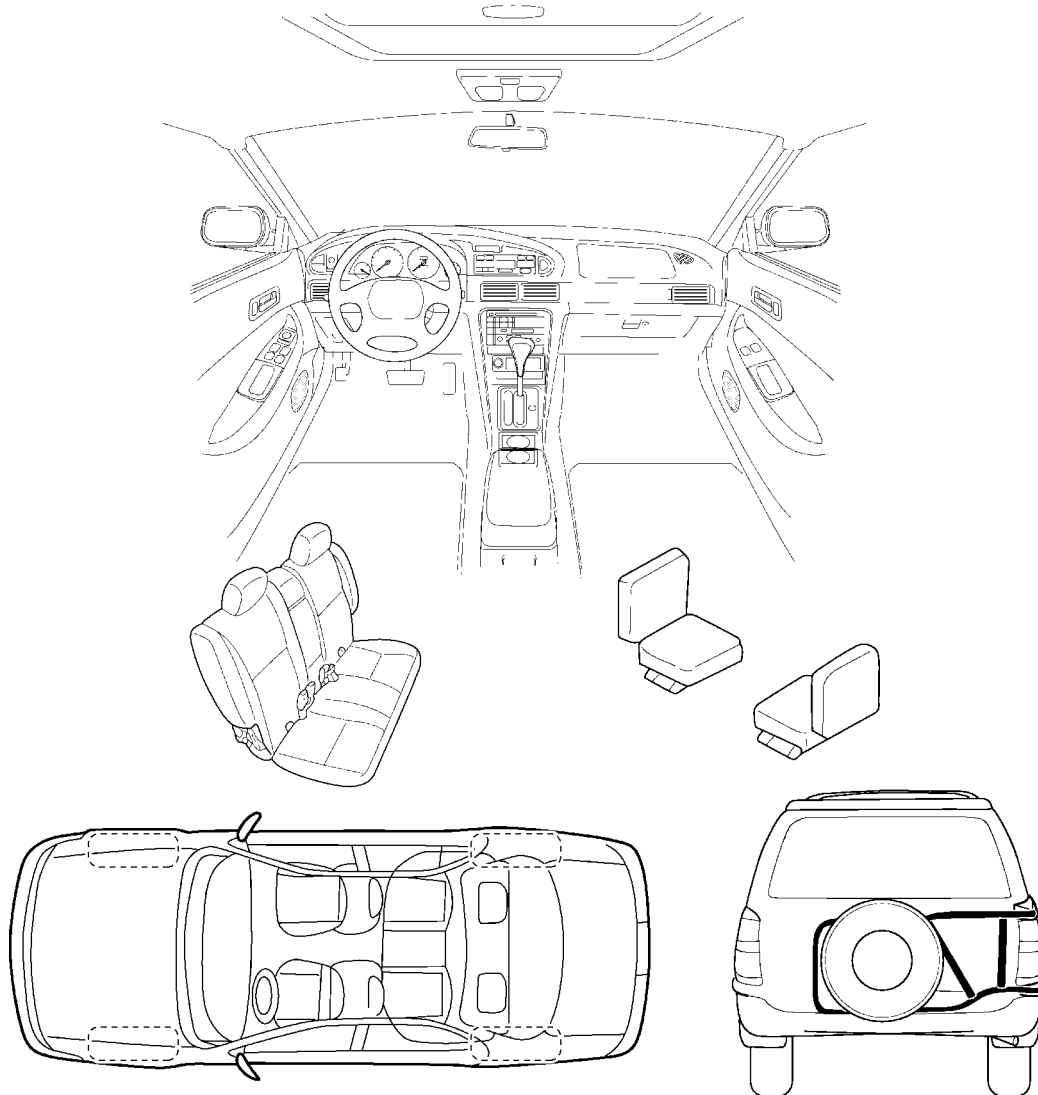
SQUEAK & RATTLE DIAGNOSTIC WORKSHEET

Dear Nissan Customer:

We are concerned about your satisfaction with your Nissan vehicle. Repairing a squeak or rattle sometimes can be very difficult. To help us fix your Nissan right the first time, please take a moment to note the area of the vehicle where the squeak or rattle occurs and under what conditions. You may be asked to take a test drive with a service advisor or technician to ensure we confirm the noise you are hearing.

I. WHERE DOES THE NOISE COME FROM? (circle the area of the vehicle)

The illustrations are for reference only, and may not reflect the actual configuration of your vehicle.



Continue to the back of the worksheet and briefly describe the location of the noise or rattle. In addition, please indicate the conditions which are present when the noise occurs.

LIWA0276E

A
B
C
D
E
F
G
H
EI
J
K
L
M

SQUEAK AND RATTLE TROUBLE DIAGNOSES

SQUEAK & RATTLE DIAGNOSTIC WORKSHEET- page 2

Briefly describe the location where the noise occurs:

II. WHEN DOES IT OCCUR? (check the boxes that apply)

- | | |
|--|---|
| <input type="checkbox"/> anytime | <input type="checkbox"/> after sitting out in the sun |
| <input type="checkbox"/> 1 st time in the morning | <input type="checkbox"/> when it is raining or wet |
| <input type="checkbox"/> only when it is cold outside | <input type="checkbox"/> dry or dusty conditions |
| <input type="checkbox"/> only when it is hot outside | <input type="checkbox"/> other: _____ |

III. WHEN DRIVING:

- through driveways
- over rough roads
- over speed bumps
- only at about ____ mph
- on acceleration
- coming to a stop
- on turns : left, right or either (circle)
- with passengers or cargo
- other: _____
- after driving ____ miles or ____ minutes

IV. WHAT TYPE OF NOISE?

- squeak (like tennis shoes on a clean floor)
- creak (like walking on an old wooden floor)
- rattle (like shaking a baby rattle)
- knock (like a knock on a door)
- tick (like a clock second hand)
- thump (heavy, muffled knock noise)
- buzz (like a bumble bee)

TO BE COMPLETED BY DEALERSHIP PERSONNEL

Test Drive Notes:

	YES	NO	Initials of person performing
Vehicle test driven with customer	<input type="checkbox"/>	<input type="checkbox"/>	_____
- Noise verified on test drive	<input type="checkbox"/>	<input type="checkbox"/>	_____
- Noise source located and repaired	<input type="checkbox"/>	<input type="checkbox"/>	_____
- Follow up test drive performed to confirm repair	<input type="checkbox"/>	<input type="checkbox"/>	_____

VIN: _____ Customer Name: _____

W.O. #: _____ Date: _____

SBT844

This form must be attached to Work Order


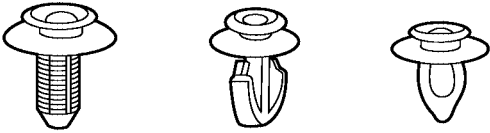


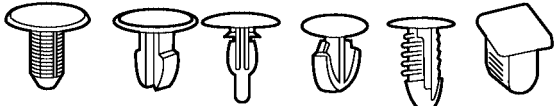
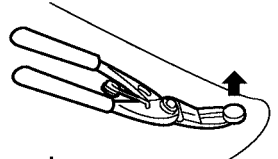

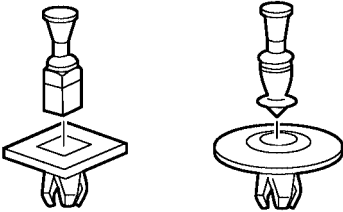
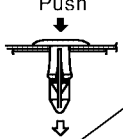
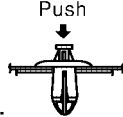

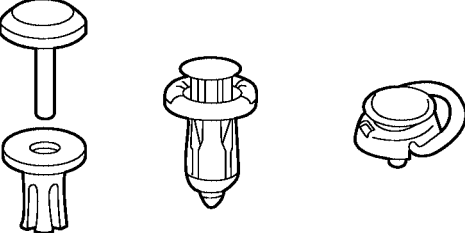
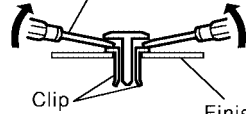

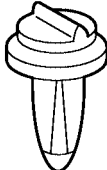
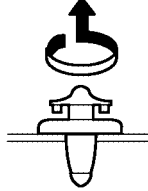
CLIP AND FASTENER

CLIP AND FASTENER

PFP:76906

Clip and Fastener


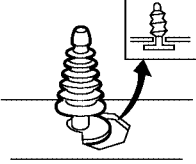
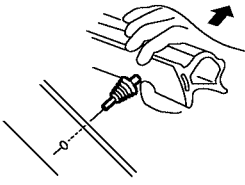

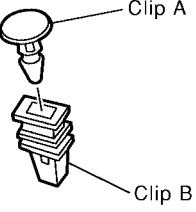
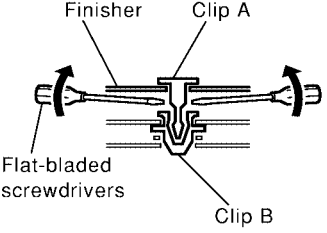

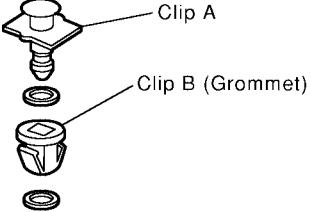
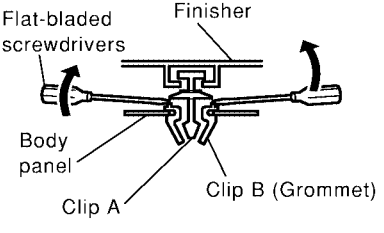
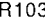
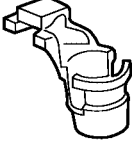
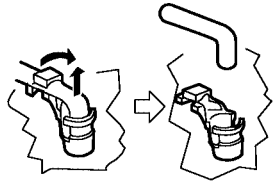

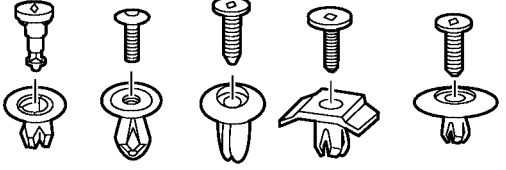

EIS007TQ

Symbol No.	Shapes	Removal & Installation
<p>C101</p> 		<p>Removal: Remove by bending up with flat-bladed screwdrivers or clip remover.</p> 
<p>C103</p> 		 <p>Removal: Remove with a clip remover.</p>
<p>C203</p> 		<p>Removal: Push center pin to catching position. (Do not remove center pin by hitting it.)</p> <p>Push</p>  <p>Installation:</p> <p>Push</p> 
<p>C205</p> 		<p>Removal:</p> <p>Flat-bladed screwdriver</p>  <p>Clip</p> <p>Finisher</p>
<p>C206</p> 		<p>Removal:</p> 

A
B
C
D
E
F
G
H
EI
J
K
L
M


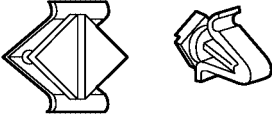

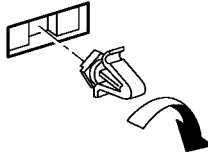

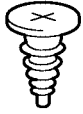



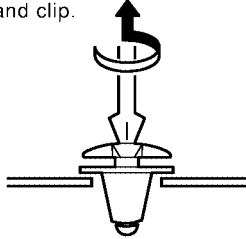


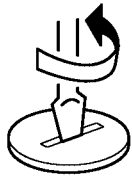
SIIA0315E

CLIP AND FASTENER

Symbol No.	Shapes	Removal & Installation
<p>CE103</p> 		<p>Removal:</p> 
<p>CF110</p> 		<p>Removal:</p> 
<p>CF118</p> 		<p>Removal:</p> 
<p>CR103</p> 		<p>Removal: Holder portion of clip must be spread out to remove rod.</p> 
<p>CS101</p> 		<p>Removal:</p> <ol style="list-style-type: none"> 1. Screw out with a Phillips screwdriver. 2. Remove female portion with flat-bladed screwdriver. 

SIIA0316E

CLIP AND FASTENER

Symbol No.	Shapes	Removal & Installation	
<p>CG101</p> 		<p>Removal:</p>  <p>Rotate 45° to remove</p>	<p>Installation:</p> 
<p>CS102</p> 			
<p>CS113</p> 		<p>Removal: Disconnect upper connection of clip with a flat-bladed screwdriver, then remove clip while inserting a flat-bladed screwdriver between body panel and clip.</p> 	
<p>C111</p> 			

A
B
C
D
E
F
G
H
EI
J
K
L
M

SIA0317E

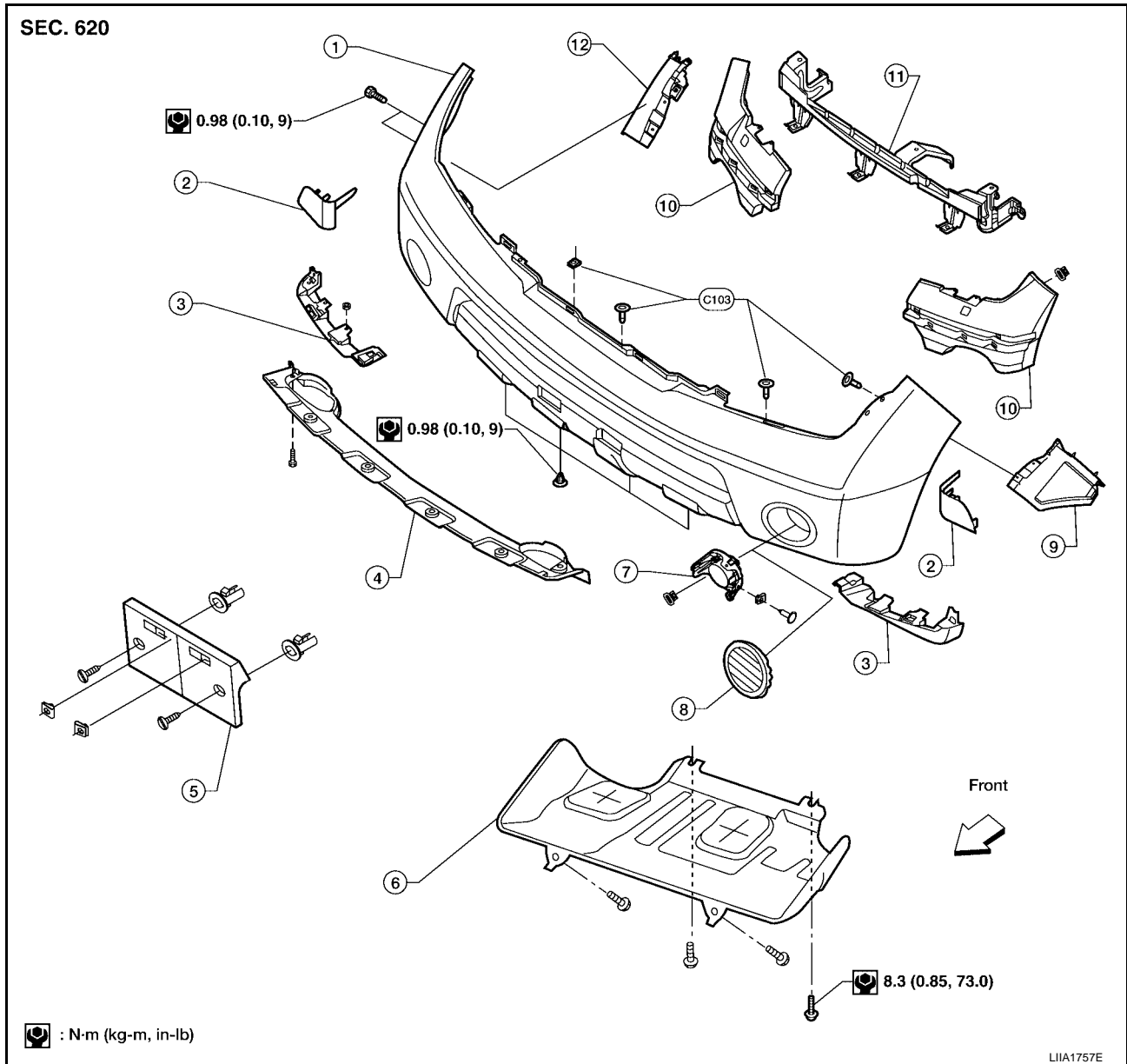
FRONT BUMPER

PFP:F2022

EIS007TR

FRONT BUMPER

Removal and Installation



- | | | |
|--------------------------------------|--|--------------------------|
| 1. Front bumper assembly | 2. Front bumper stay RH/LH | 3. Front valance RH/LH |
| 4. Front valance center | 5. Front license plate bracket | 6. Engine undercover |
| 7. Fog lamp (if equipped) | 8. Fog lamp opening finisher (if equipped) | 9. Front bumper stay LH |
| 10. Front bumper reinforcement RH/LH | 11. Front bumper bracket | 12. Front bumper stay RH |

REMOVAL

1. Disconnect the negative and positive battery cables, then wait at least 3 minutes.
2. Remove radiator grille. Refer to [EI-16. "FRONT GRILLE"](#).
3. Remove front valance LH, center, then RH.
4. Remove engine undercover.
5. Remove front bumper stays LH and RH.
6. Disconnect fog lamp harnesses, if equipped.
7. Remove front bumper assembly.

INSTALLATION

Installation is in the reverse order of removal.

REAR BUMPER

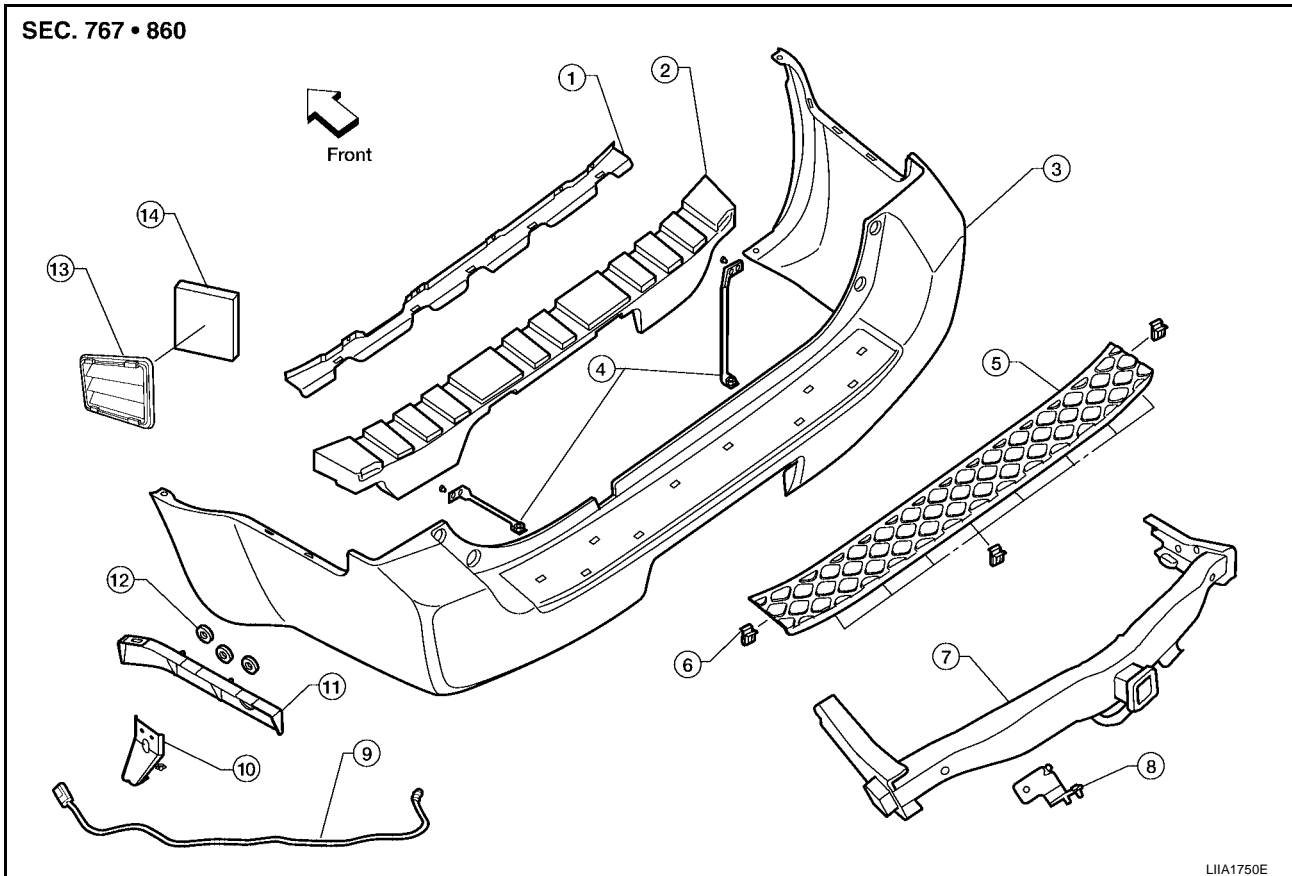
PFP:H5022

REAR BUMPER

Removal and Installation

EIS007TS

SEC. 767 • 860



- | | | |
|----------------------------|------------------------------|-----------------------|
| 1. Rear valance | 2. Rear bumper reinforcement | 3. Rear bumper fascia |
| 4. Rear fascia strut LH/RH | 5. Step pad | 6. Clip |
| 7. Tow hitch | 8. Tow harness bracket | 9. Tow hitch harness |
| 10. Rear fascia lower stay | 11. Pinch rail | 12. Washer |
| 13. Drafter duct | 14. Filter element | |

REMOVAL

1. Remove LH and RH rear fascia struts.
2. Remove rear fascia lower stay bolts.
3. Remove fascia front upper bolts near wheel opening.
4. Release left pinch rail clips and remove LH side of rear bumper fascia from quarter panel.
5. Release right pinch rail clips and remove RH side of rear bumper fascia from quarter panel.
6. Remove fascia rear upper bolts near combination lamp.
7. Remove rear bumper fascia.
8. Disconnect harness on left side of tow hitch.
9. Remove rear bumper reinforcement.
10. Remove drafter duct from lower side of LH quarter panel.

INSTALLATION

Installation is in the reverse order of removal.

- Apply sealant to clips securing upper step pad during installation.

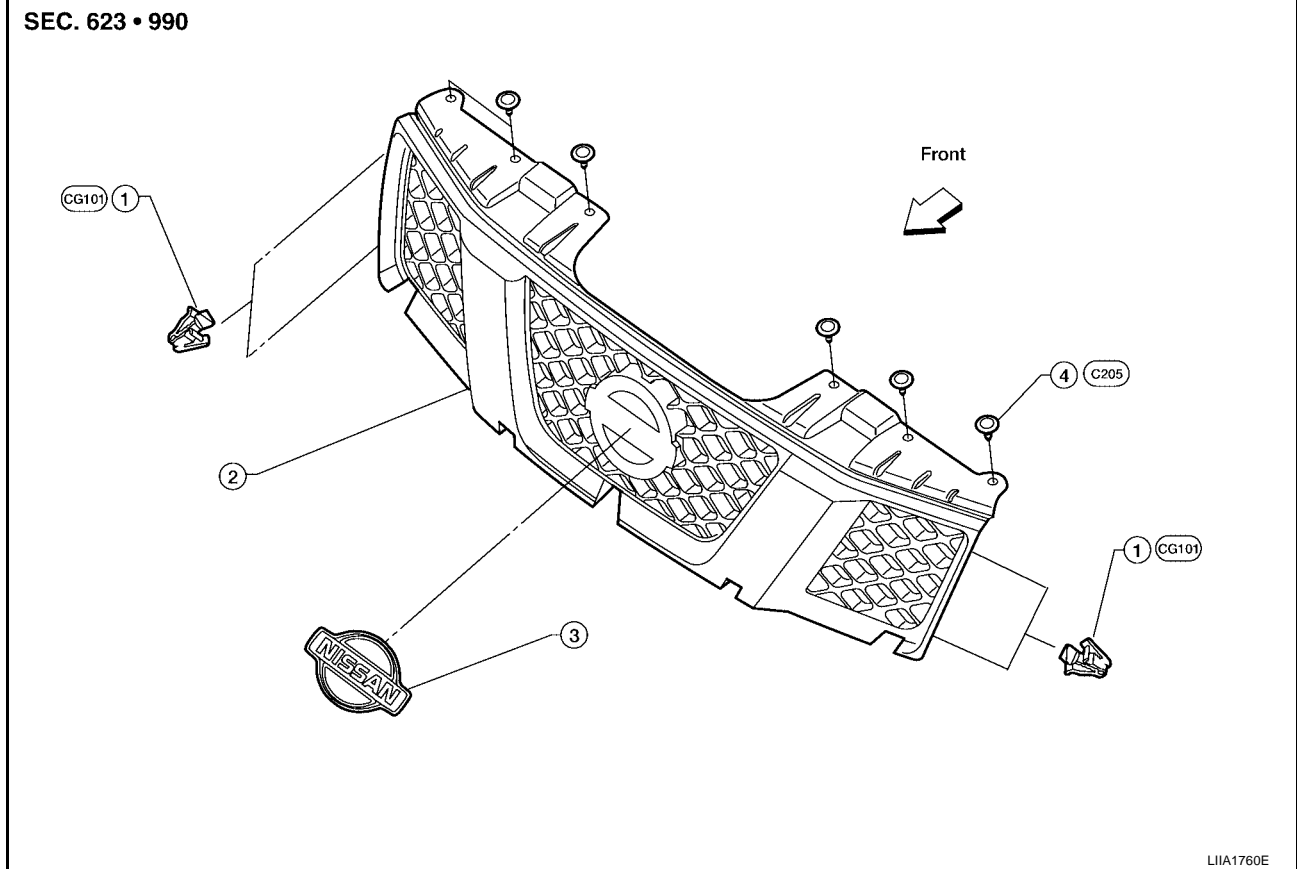
FRONT GRILLE

FRONT GRILLE

PFP:62310

Removal and Installation

EIS007TT



1. Slide clips

2. Front grille

3. Front emblem

4. Clips

REMOVAL

1. Release upper clips from front grille.
2. Twist and release LH and RH side clips and remove front grille from member.

INSTALLATION

Installation is in the reverse order of removal.

COWL TOP

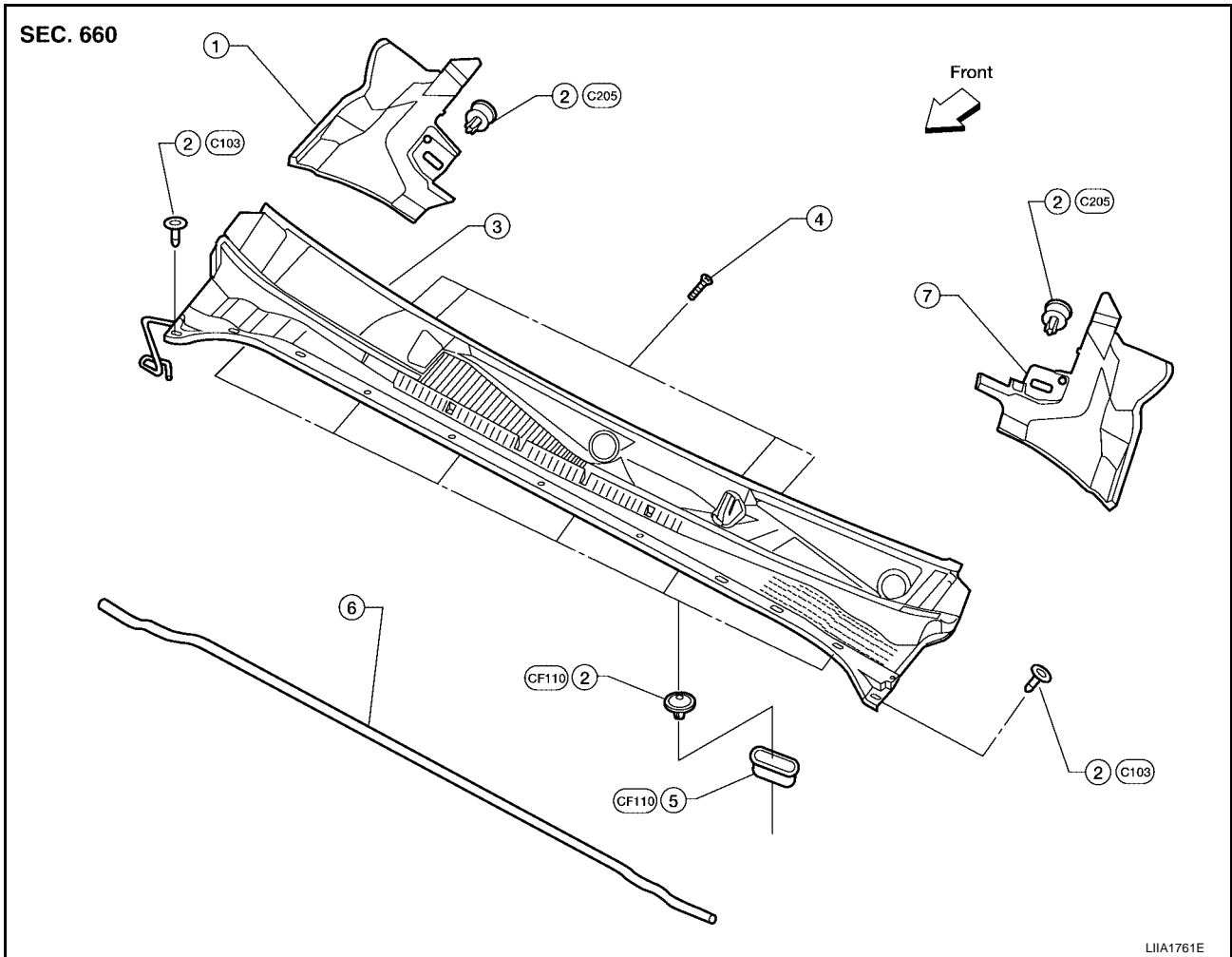
COWL TOP

Removal and Installation

PF6:66100

EIS007TU

SEC. 660



- | | | |
|--------------------------|------------|------------------|
| 1. Cowl top extension RH | 2. Clips | 3. Cowl top |
| 4. Washer nozzle screws | 5. Grommet | 6. Cowl top seal |
| 7. Cowl top extension LH | | |

REMOVAL

1. Remove the front wiper arms. Refer to [WW-26, "FRONT WIPER ARMS"](#).
2. Remove cowl top seal.
3. Release clips and remove LH and RH cowl top extensions.
4. Disconnect washer tubes from washer nozzles.
5. Remove cowl top clips and remove cowl top from the cowl.

INSTALLATION

Installation is in the reverse order of removal.

A
B
C
D
E
F
G
H
EI
J
K
L
M

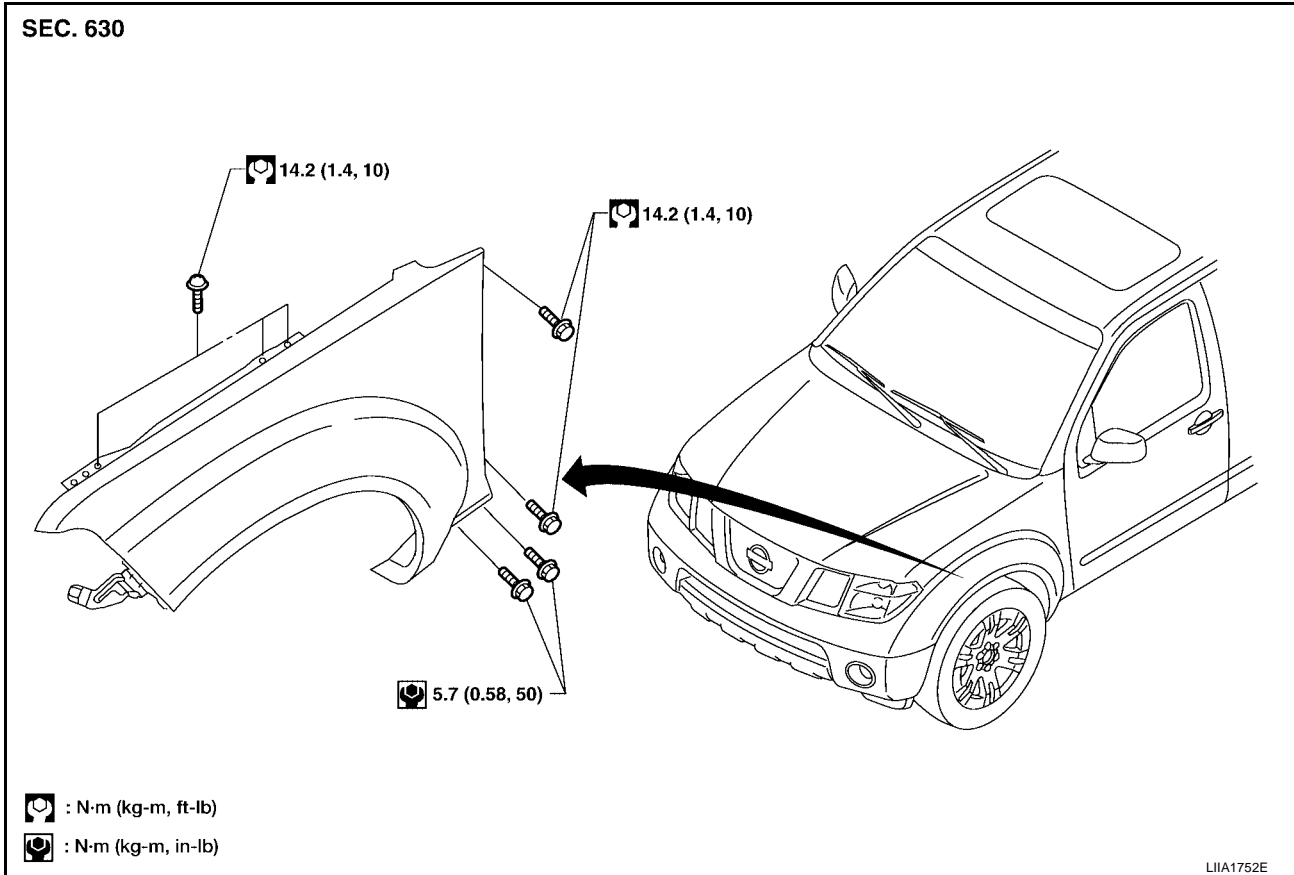
FRONT FENDER

FRONT FENDER

PFP:63100

Removal and Installation

EIS007TV



REMOVAL

1. Remove headlamp assembly. Refer to [LT-27, "Removal and Installation"](#).
2. Remove front fender protector. Refer to [EI-20, "FENDER PROTECTOR"](#).
3. Remove front bumper. Refer to [EI-14, "Removal and Installation"](#).
4. Remove front fender bolts from hoodledge and dash panel.
5. Remove front fender bolts from rocker panel and radiator core support member.
6. Remove front fender.

INSTALLATION

Installation is in the reverse order of removal.

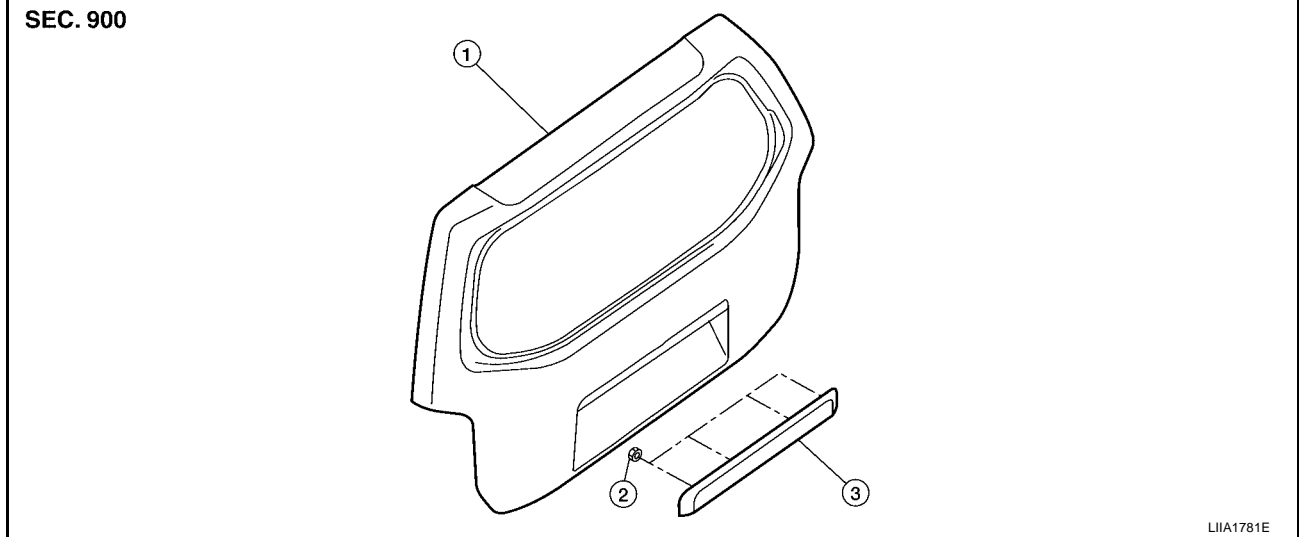
LICENSE LAMP FINISHER

LICENSE LAMP FINISHER

PFP:84810

Removal and Installation

EIS007TW



1. Back door

2. Nut

3. License lamp finisher

REMOVAL

1. Remove back door finisher. Refer to [EI-35, "BACK DOOR TRIM"](#).
2. Remove nuts and license lamp finisher.

INSTALLATION

Installation is in the reverse order of removal.

A
B
C
D
E
F
G
H
I
J
K
L
M

EI

FENDER PROTECTOR

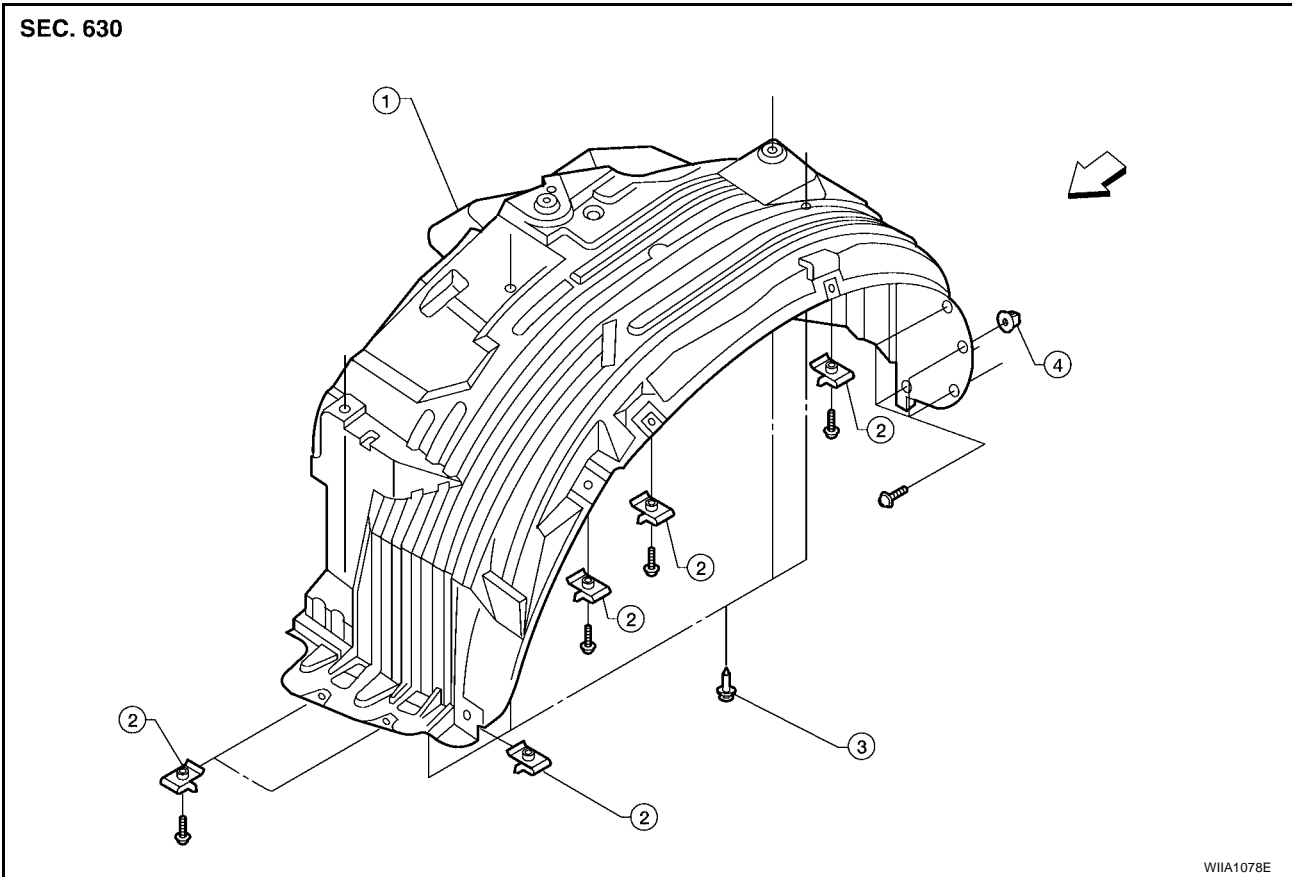
FENDER PROTECTOR

PFP:63840

Components

EIS007TX

Front Fender Protector



1. Fender protector LH

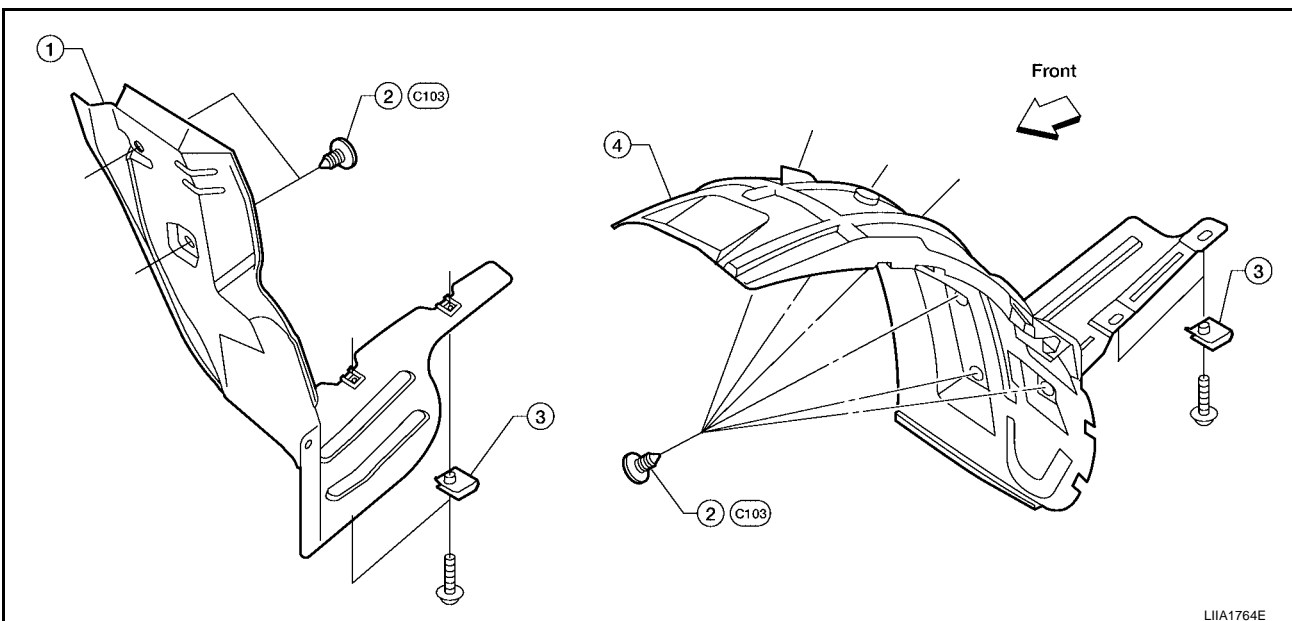
2. Nut

3. Clip C205

4. Grommet

← Vehicle front

Rear Fender Protector



1. Fender protector RH

2. Clips

3. Nuts

4. Fender protector LH

FENDER PROTECTOR

Removal and Installation of Front Fender Protector

EIS007TY

REMOVAL

1. Remove screws.
2. Remove plastic clips.
3. Remove pushpins.
4. Remove front fender protector.

INSTALLATION

Installation is in the reverse order of removal.

Removal and Installation of Rear Fender Protector

EIS007TZ

REMOVAL

1. Remove screws.
2. Remove plastic clips.
3. Remove pushpins.
4. Remove rear fender protector.

INSTALLATION

Installation is in the reverse order of removal.

A

B

C

D

E

F

G

H

EI

J

K

L

M

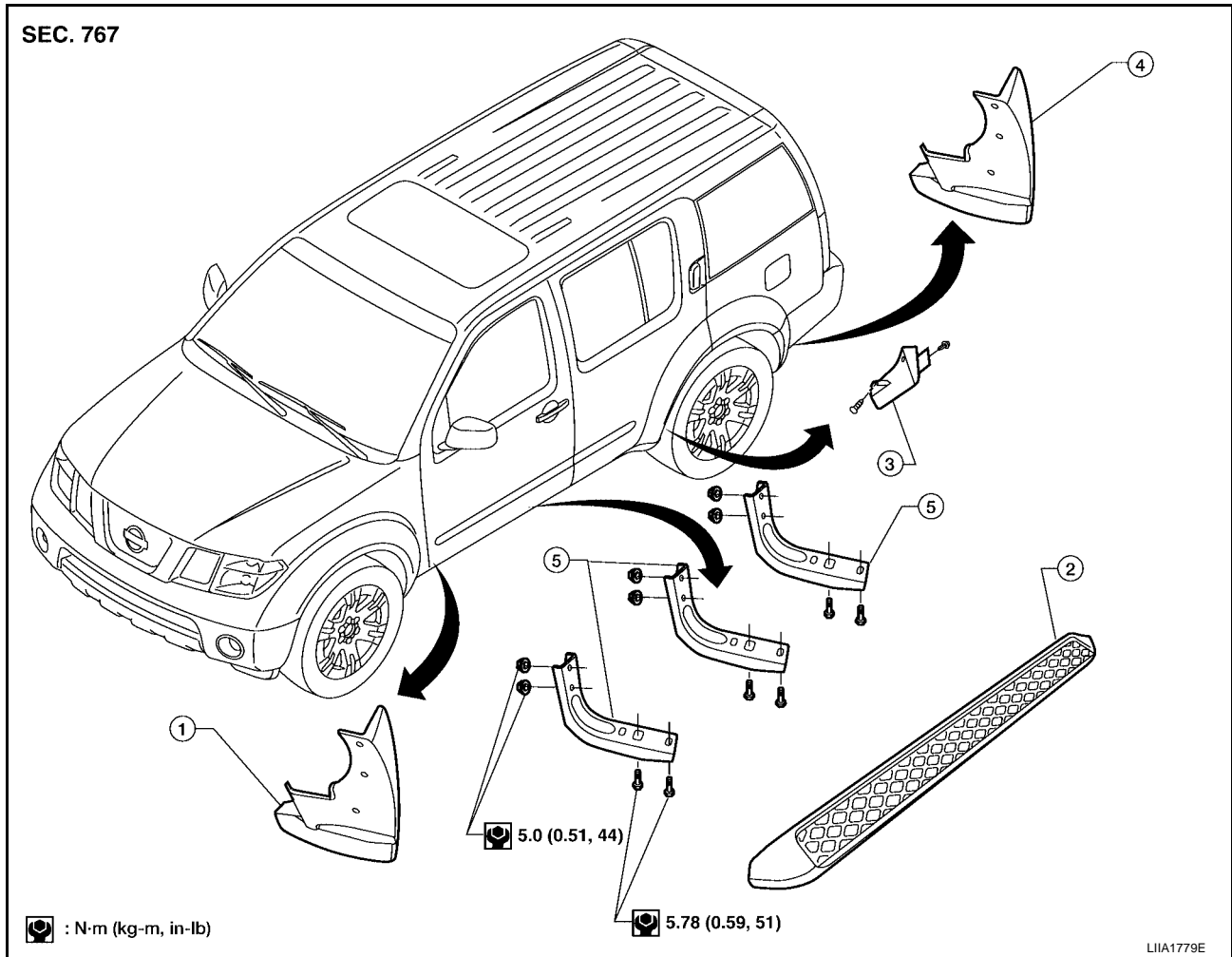
RUNNING BOARDS

PFP:96110

RUNNING BOARDS

Removal and Installation

EIS007U0



1. Front mud flap (if equipped)
2. Running board
3. Rear wheel wind deflector
4. Rear mud flap (if equipped)
5. Running board bracket

REMOVAL

1. Remove mud flaps (if equipped).
2. Remove bolts and remove running board from running board brackets.
3. Remove nuts and remove running board brackets from chassis.
4. Remove screw and clip and remove wind deflector.

INSTALLATION

Installation is in the reverse order of removal.

ROOF RACK

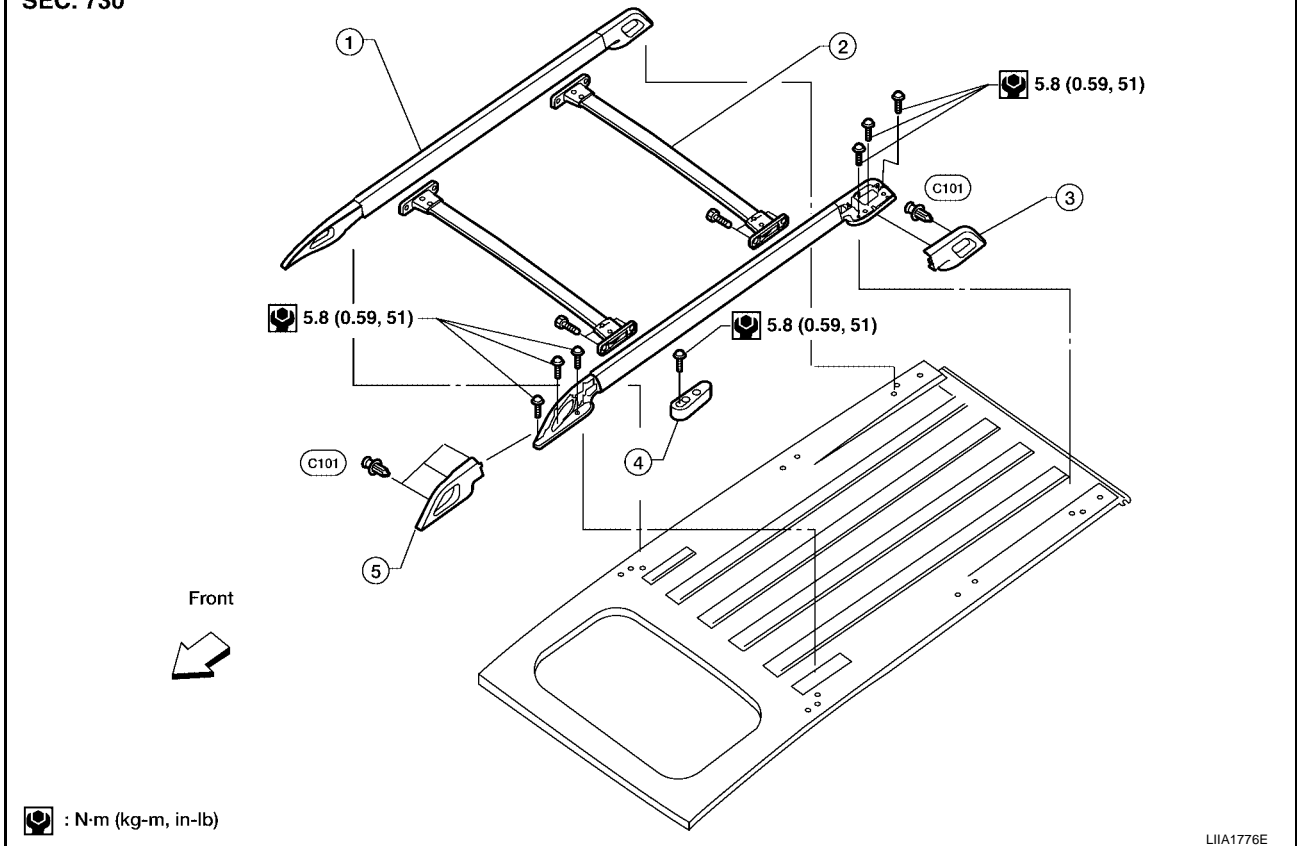
PFP:73155

ROOF RACK

Removal and Installation

EIS007U1

SEC. 730



- | | | |
|---------------------|---------------------------|--------------------------|
| 1. Slide rail | 2. Sliding crossbar | 3. Slide rail cover rear |
| 4. Center stanchion | 5. Slide rail cover front | |

REMOVAL

1. Pry outward releasing the clips and remove the slide rail cover front LH and RH.
2. Pry outward releasing the clips and remove the slide rail cover rear LH and RH.
3. Remove the bolts and remove front and rear sliding crossbars from slide rails.
4. Remove the bolts from the slide rails LH and RH.
5. Shift the slide rails forward to disengage from center stanchion and remove from roof.
6. Remove the bolts and remove center stansions LH and RH from roof.

INSTALLATION

Installation is in the reverse order of removal.

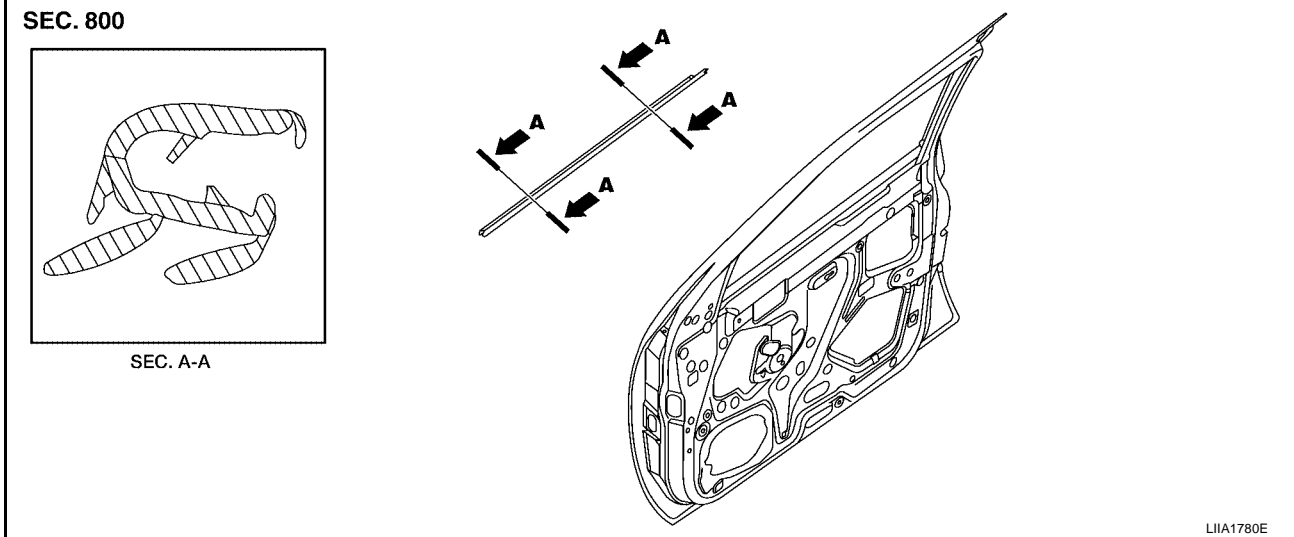
DOOR OUTSIDE MOLDING

DOOR OUTSIDE MOLDING

PFP:82820

Removal and Installation

EIS007U2



FRONT DOOR OUTSIDE MOLDING

Removal

1. Open the window fully.
2. Remove the door mirror. Refer to [GW-90, "Door Mirror Assembly"](#).
3. Lift molding from the front side off of flange.
4. Remove the front door outside molding.

Installation

Installation is in the reverse order of removal.

DOOR FINISHER

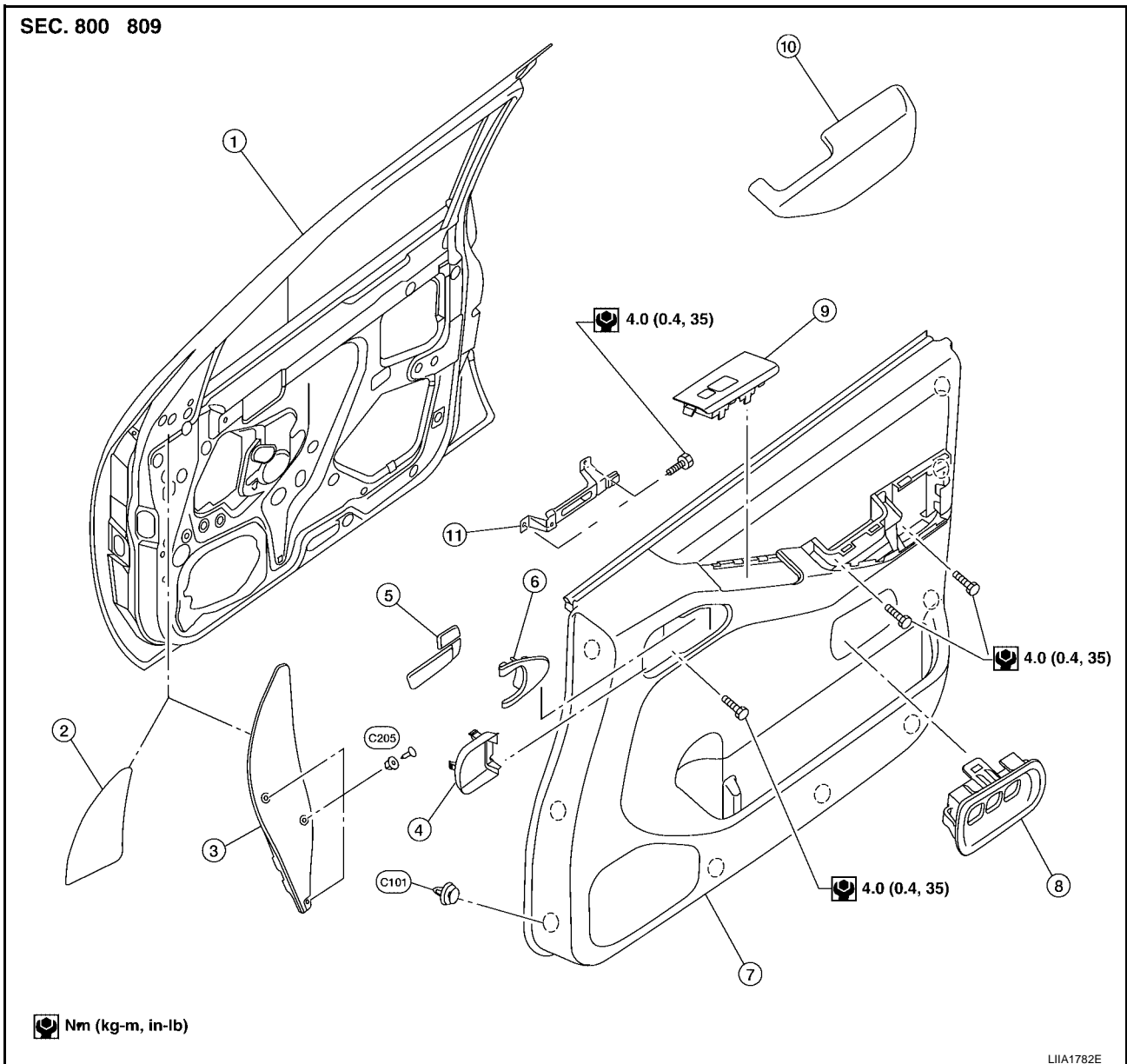
PFP:80900

EIS007U3

DOOR FINISHER

Removal and Installation FRONT DOOR

SEC. 800 809



- | | | |
|-----------------------------------|-------------------------------------|--------------------------------------|
| 1. Front door | 2. Mirror bolt cover LH | 3. Mirror bolt cover RH |
| 4. Pull handle escutcheon | 5. Pull handle/lock lever assembly | 6. Pull handle cover |
| 7. Front door finisher (RH shown) | 8. Seat memory switch (if equipped) | 9. Power window/lock switch assembly |
| 10. Armrest | 11. Front door handle bracket | |

Removal

1. Remove power window switch assembly.
 - Disconnect harness connectors.
2. Remove pull handle escutcheon.
3. Remove pull handle cover and remove screw.
4. Lift armrest upward to release clips and remove armrest.
 - Remove screws behind armrest.
5. Remove memory seat switch (if equipped).
 - Disconnect harness connector.

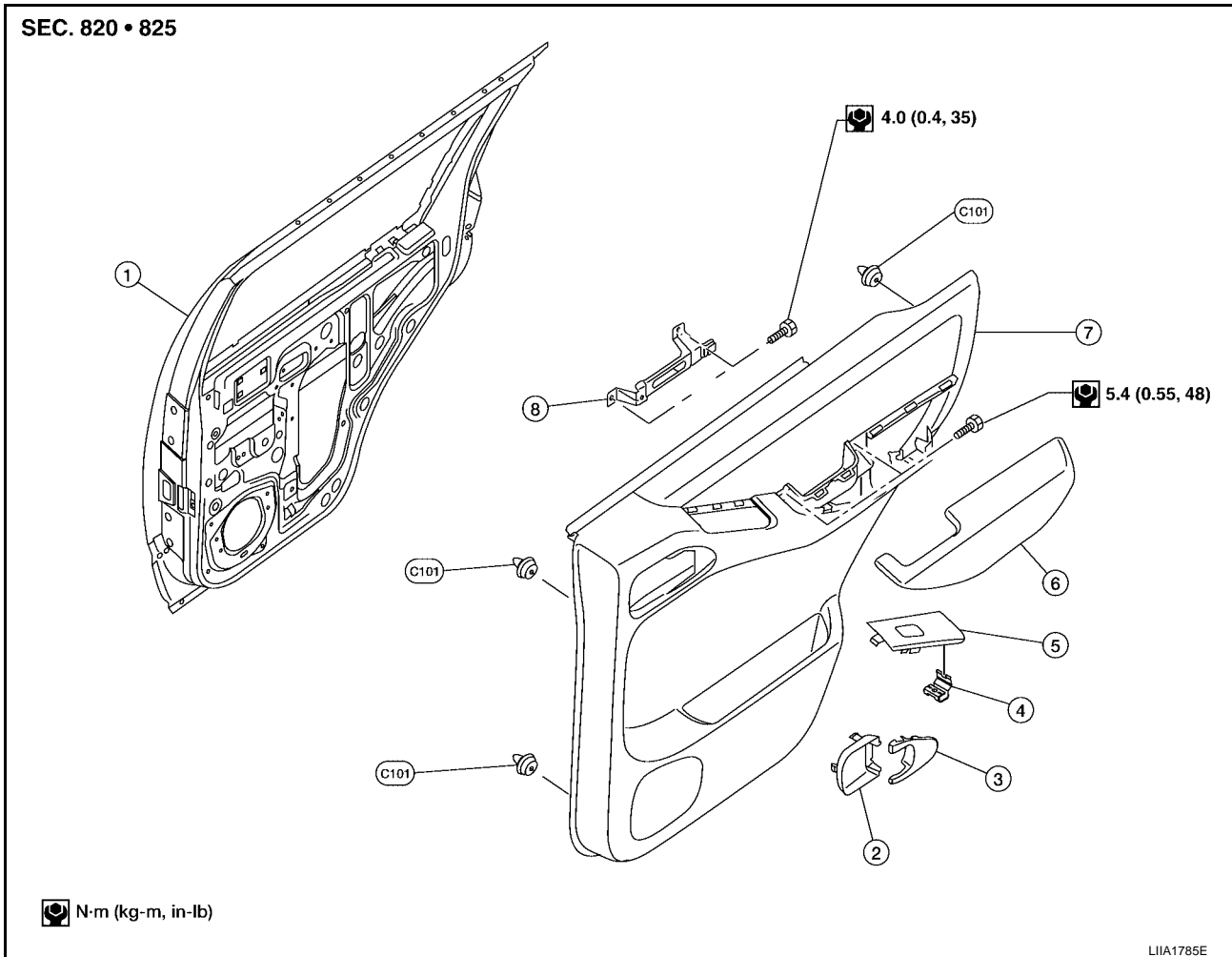
DOOR FINISHER

6. Release clips and remove door finisher.
 - Disconnect lock cable and handle cable from door handle assembly. Refer to [BL-95, "FRONT DOOR LOCK"](#).
7. Remove pull handle/lock lever assembly.

Installation

Installation is in the reverse order of removal.

REAR DOOR



- | | | |
|-----------------------|---------------------------------|----------------------|
| 1. Rear door | 2. Pull handle escutcheon | 3. Pull handle cover |
| 4. Metal clip | 5. Power window switch assembly | 6. Armrest |
| 7. Rear door finisher | 8. Rear door handle bracket | |

Removal

1. Remove power window switch assembly.
 - Disconnect harness connector.
2. Remove pull handle cover.
 - Remove screw behind pull handle cover.
3. Remove pull handle escutcheon.
4. Lift upward to release clips and remove armrest.
 - Remove screws behind armrest.
5. Release the clips and remove rear door finisher.
 - Disconnect the rear door tweeter.

Installation

Installation is in the reverse order of removal.

BODY SIDE TRIM

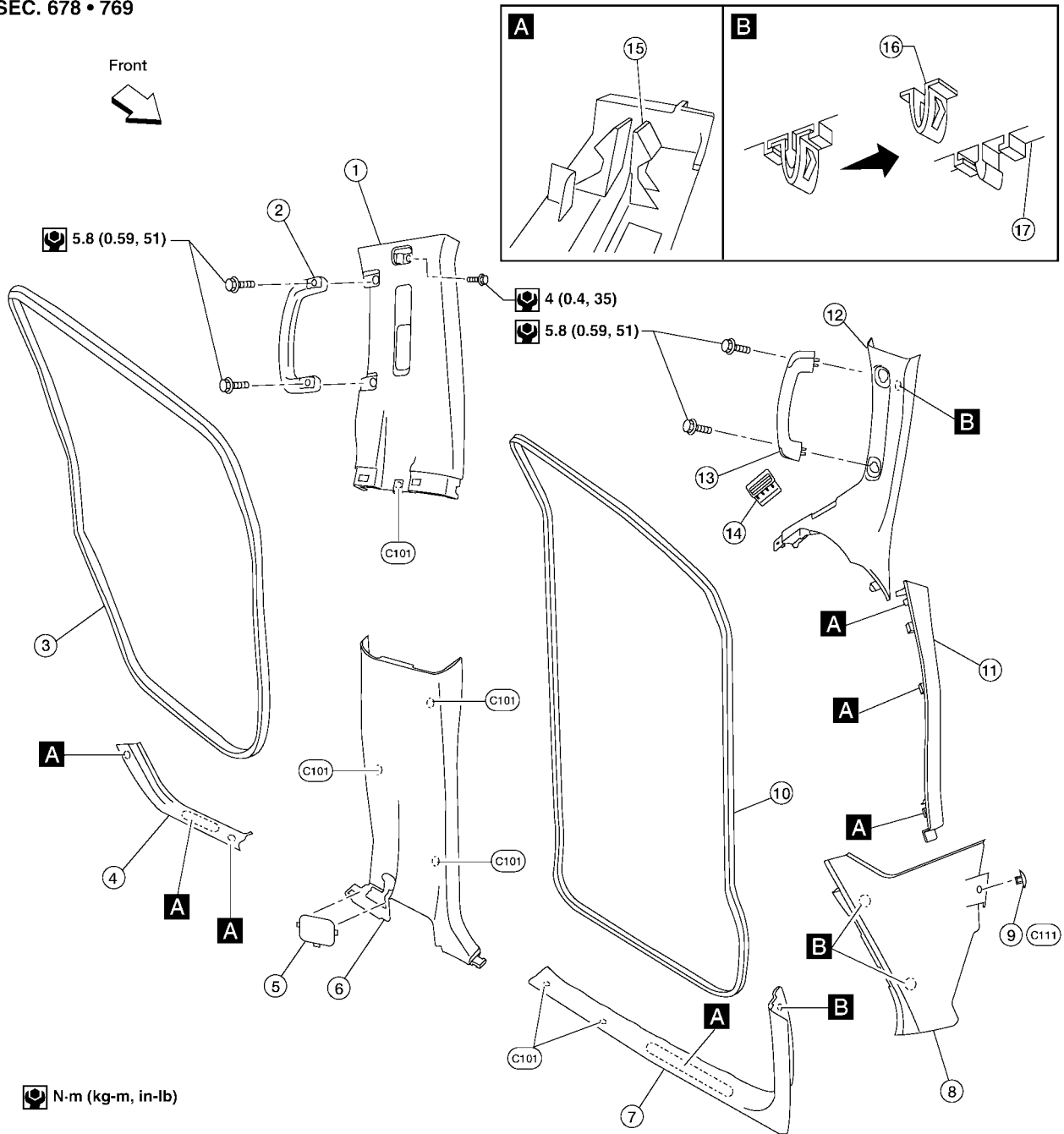
PFP:76913

EIS007U4

BODY SIDE TRIM

Components

SEC. 678 • 769



- | | | |
|---------------------------------|---------------------------------------|---------------------------------|
| 1. Center pillar upper finisher | 2. Center pillar assist grip | 3. Rear door welt |
| 4. Rear kick plate | 5. Access cover (Passenger side only) | 6. Center pillar lower finisher |
| 7. Front kick plate | 8. Lower dash side finisher | 9. Clip |
| 10. Front door welt | 11. Front pillar lower finisher | 12. Front pillar upper finisher |
| 13. Front pillar assist grip | 14. RH side demister grille | 15. Molded plastic clip |
| 16. Metal clip | 17. Garnish | |

LIIA1786E

CAUTION:

- Wrap the tip of flat-bladed screwdriver with a cloth when removing metal clips from finishers.
- When removing or installing body side welts, do not allow butyl seal to come in contact with pillar finisher.

A
B
C
D
E
F
G
H
EI
J
K
L
M

Removal and installation LOWER DASH SIDE FINISHER

Removal

1. Remove push pin from lower dash side finisher.
2. Remove front kick plate from center pillar lower finisher.
3. Remove lower dash side finisher and front kick plate together.
4. Remove lower dash side finisher from front kick plate.

Installation

Installation is in the reverse order of removal.

CENTER PILLAR LOWER FINISHER

Removal

1. Remove seat belt anchor. Refer to [SB-3, "Removal and Installation of Front Seat Belt"](#) .
 - On RH side, disconnect seat belt tension sensor.
2. Remove front and rear kick plates. Refer to [EI-28, "KICK PLATES"](#) .
3. Remove center pillar lower finisher.

Installation

Installation is in the reverse order of removal.

CENTER PILLAR UPPER FINISHER

Removal

1. Remove front and rear door welts.
2. Remove seat belt shoulder anchor and D-ring. Refer to [SB-3, "Removal and Installation of Front Seat Belt"](#) .
3. Remove front and rear kick plates. Refer to [EI-28, "KICK PLATES"](#) .
4. Remove center pillar lower finisher.
5. Remove assist grip.
6. Remove center pillar upper finisher.

Installation

Installation is in the reverse order of removal.

FRONT PILLAR UPPER FINISHER

Removal

1. Remove the front pillar assist grip.
2. Remove the front pillar upper finisher bolt.
3. Remove the front pillar upper finisher.

Installation

Installation is in the reverse order of removal.

FRONT PILLAR LOWER FINISHER

Removal

1. Remove the lower dash side finisher. Refer to [EI-28, "LOWER DASH SIDE FINISHER"](#) .
2. Remove the front pillar lower finisher.

Installation

Installation is in the reverse order of removal.

KICK PLATES

Removal

Release clips and remove front and/or rear kick plates.

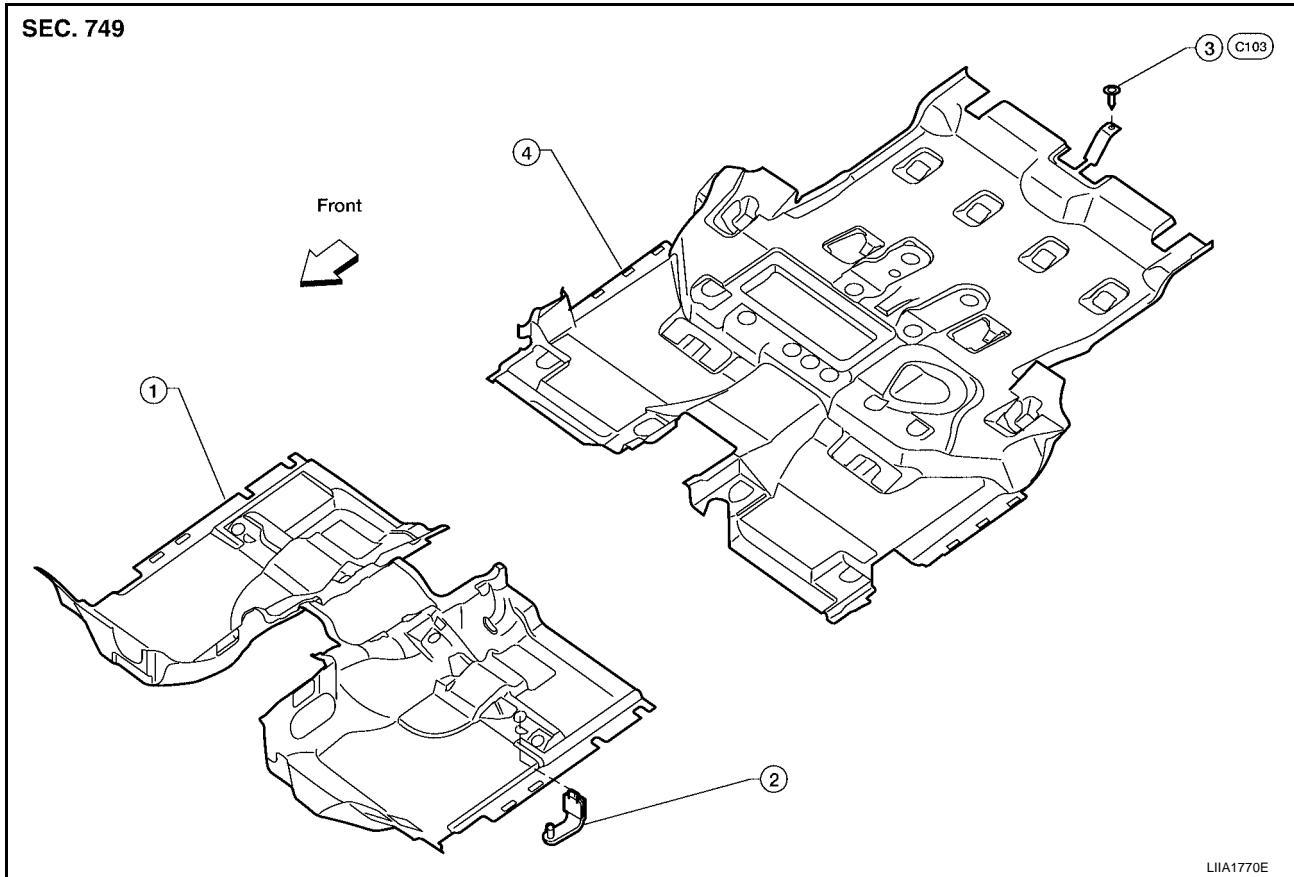
Installation

Installation is in the reverse order of removal.

FLOOR TRIM

Removal and Installation

Front and Rear Floor Carpet



- 1. Front carpet
- 4. Rear carpet

- 2. Floor mat hook

- 3. Clip

REMOVAL

Front Carpet

1. Remove front seats. Refer to [SE-89, "FRONT SEAT"](#) .
2. Remove lower seat belt anchors. Refer to [SB-3, "SEAT BELTS"](#) .
3. Remove lower body side trim panels. Refer to [EI-27, "BODY SIDE TRIM"](#) .
4. Remove center console. Refer to [IP-16, "CENTER CONSOLE"](#) .
5. Remove floor mat hook from front carpet.
6. Remove front carpet.

Rear Carpet

1. Remove 3rd row seats. Refer to [SE-100, "Third Row"](#) .
2. Remove luggage side lower finisher RH and LH. Refer to [EI-34, "Removal and Installation"](#) .
3. Remove flipper doors and floor tray. Refer to [EI-34, "Removal and Installation"](#) .
4. Remove the bolts and the storage box. Refer to [EI-34, "Removal and Installation"](#) .
5. Remove the rear carpet.

INSTALLATION

Installation is in the reverse order of removal.

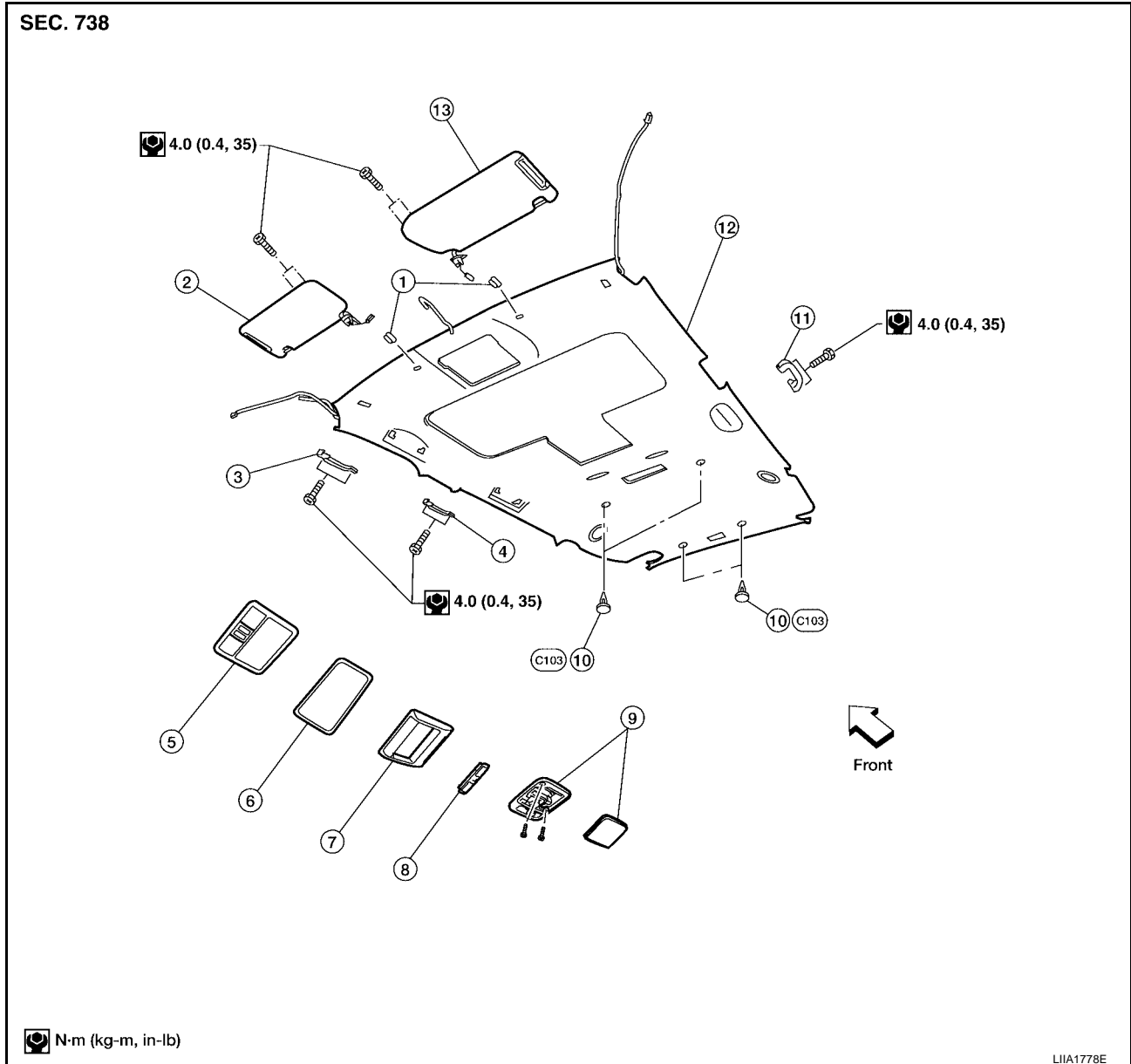
HEADLINING

PF7:73910

EIS007U7

HEADLINING

Removal and Installation



- | | | |
|---|--|-------------------------------|
| 1. Sun visor holder LH/RH | 2. Sun visor assembly RH | 3. Front assist grip RH |
| 4. Rear assist grip LH | 5. Front roof console with front room lamp assembly and sunglass bin | 6. Sunroof welt (if equipped) |
| 7. DVD video monitor finisher (if equipped) | 8. Center room lamp assembly | 9. Rear room lamp assembly |
| 10. Clip | 11. Rear assist grip LH | 12. Headlining |
| 13. Sun visor assembly LH | | |

REMOVAL

CAUTION:

Disconnect both the negative and positive battery terminals in advance.

1. Disconnect the negative and positive battery terminals, then wait at least 3 minutes.
2. Remove body side trim panels. Refer to [EI-27, "BODY SIDE TRIM"](#).
3. Remove luggage floor trim upper panels. Refer to [EI-32, "LUGGAGE FLOOR TRIM"](#).
4. Remove sun visor assemblies, both LH and RH.
5. Remove sun visor holders LH and RH.

HEADLINING

6. Remove sunroof welt (if equipped).
7. Remove DVD video monitor assembly (if equipped). Refer to [AV-77, "VIDEO MONITOR"](#) .
 - Disconnect harnesses.
8. Remove assist grips.
9. Remove the screws and the front roof console.
 - Disconnect harness.
10. Remove the center room and rear room lamp assemblies.
11. Remove rear upper overhead duct (if equipped). Refer to [ATC-152, "REAR OVERHEAD DUCTS"](#) .
12. Remove headlining.

NOTE:

Use an assistant to steady the headlining while lowering from roof.

- Remove clips from center of headlining.
 - Remove clips from rear of headlining.
 - Disconnect rear washer tube at front connection, allow to drain.
 - Disconnect harnesses and rear washer tube rear connections.
13. Remove assist grip brackets from roof.

INSTALLATION

Installation is in the reverse order of removal.

A
B
C
D
E
F
G
H
I
J
K
L
M

EI

LUGGAGE FLOOR TRIM

PF84999

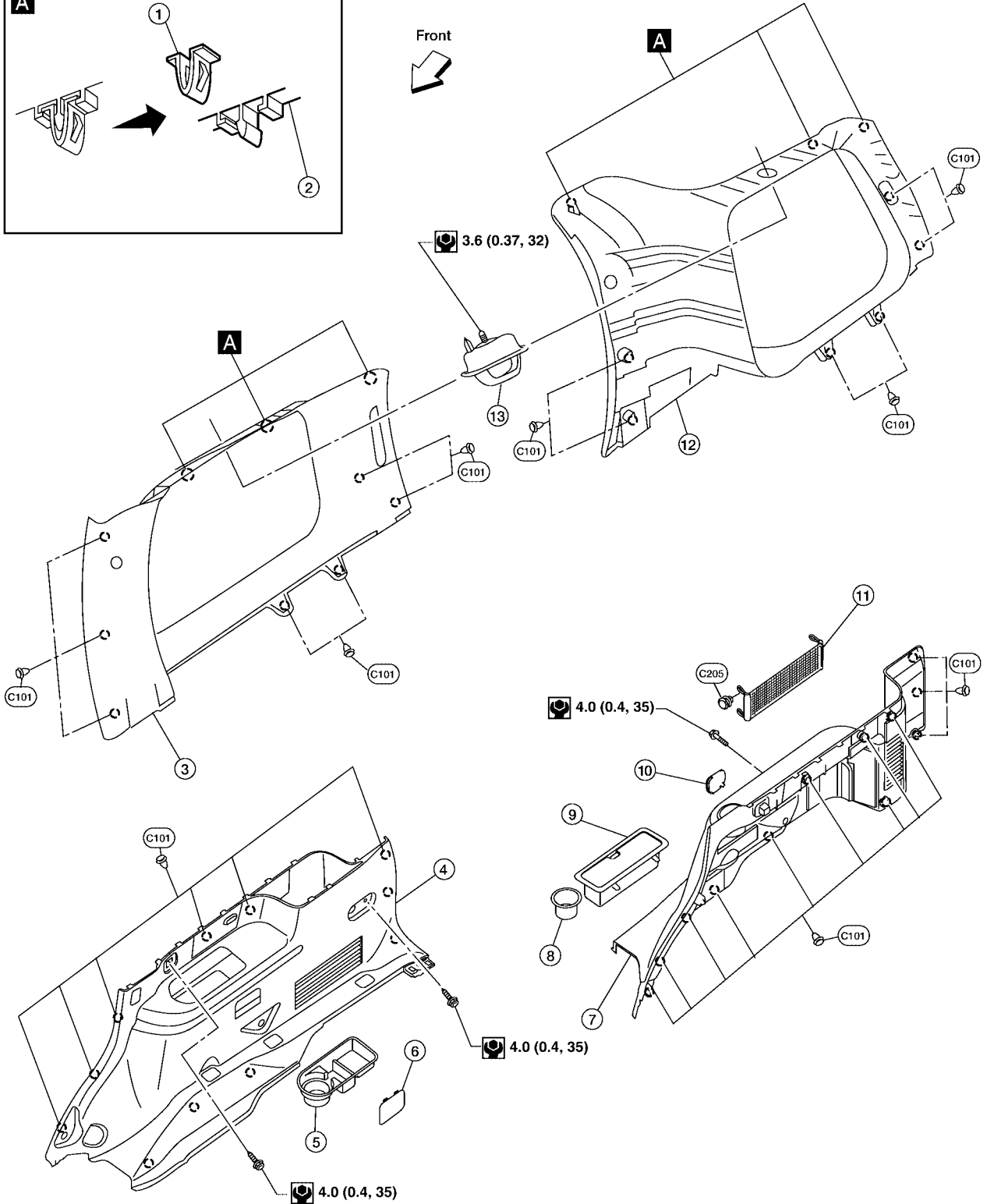
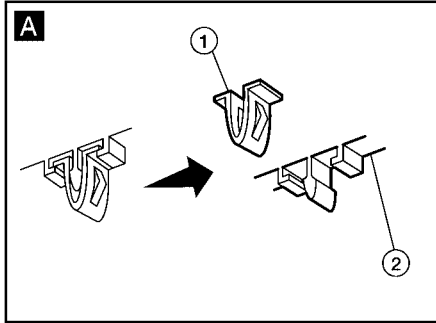
EIS007U8

LUGGAGE FLOOR TRIM

Components

Luggage Trim - Side

SEC. 850



N-m (kg-m, in-lb)

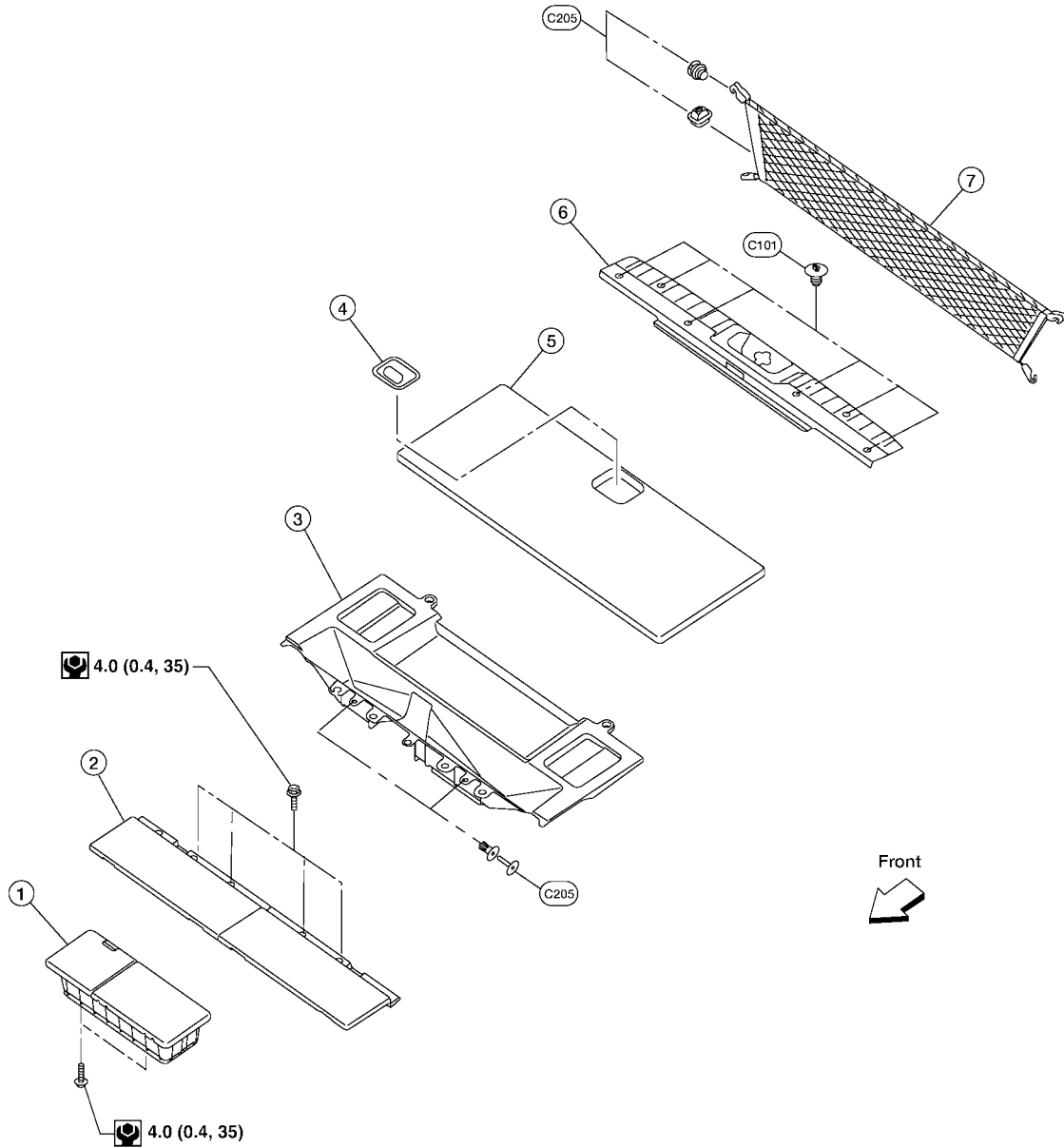
LIA1783E

LUGGAGE FLOOR TRIM

- | | | |
|-----------------------------------|------------------------|------------------------------------|
| 1. Metal clip | 2. Garnish | 3. Luggage side upper finisher RH |
| 4. Luggage side lower finisher RH | 5. Cup holder and tray | 6. Access cover |
| 7. Luggage side lower finisher LH | 8. Cup holder | 9. Storage bin |
| 10. Access cover | 11. Side cargo net | 12. Luggage side upper finisher LH |
| 13. Coat hook | | |

Luggage Trim - Floor

SEC. 850



N-m (kg-m, in-lb)

- | | | |
|------------------------------|------------------------|------------------------|
| 1. Floor storage bin | 2. Flipper panel | 3. Storage tray |
| 4. Luggage floor board latch | 5. Luggage floor board | 6. Tailgate kick plate |
| 7. Cargo net | | |

LIIA1784E

LUGGAGE FLOOR TRIM

EIS007U9

Removal and Installation

REMOVAL

1. Remove the 2nd and 3rd row seat belts. Refer to [SB-3, "SEAT BELTS"](#) .
2. Remove the third row seat belt buckles. Refer to [SB-3, "SEAT BELTS"](#) .
3. Remove the third row seat assembly. Refer to [SE-100, "Third Row"](#) .
4. Remove the rear door kick plates. refer to [EI-27, "BODY SIDE TRIM"](#) .
5. Remove the tailgate kick plate.
6. Disconnect the door open/close link. Refer to [BL-99, "BACK DOOR LOCK"](#) .
7. Remove the cargo net hooks.
8. Remove the LH and RH luggage side lower finishers.
 - Disconnect the power point on the RH side.
9. Remove the LH and RH coat hooks.
10. Remove the LH and RH luggage side upper finishers.
11. Remove the cargo net hooks LH/RH.
12. Remove the luggage floor board.
13. Remove the flipper panel.
14. Remove the storage tray.
15. Remove the floor storage bin.

INSTALLATION

Installation is in the reverse order of removal.

BACK DOOR TRIM

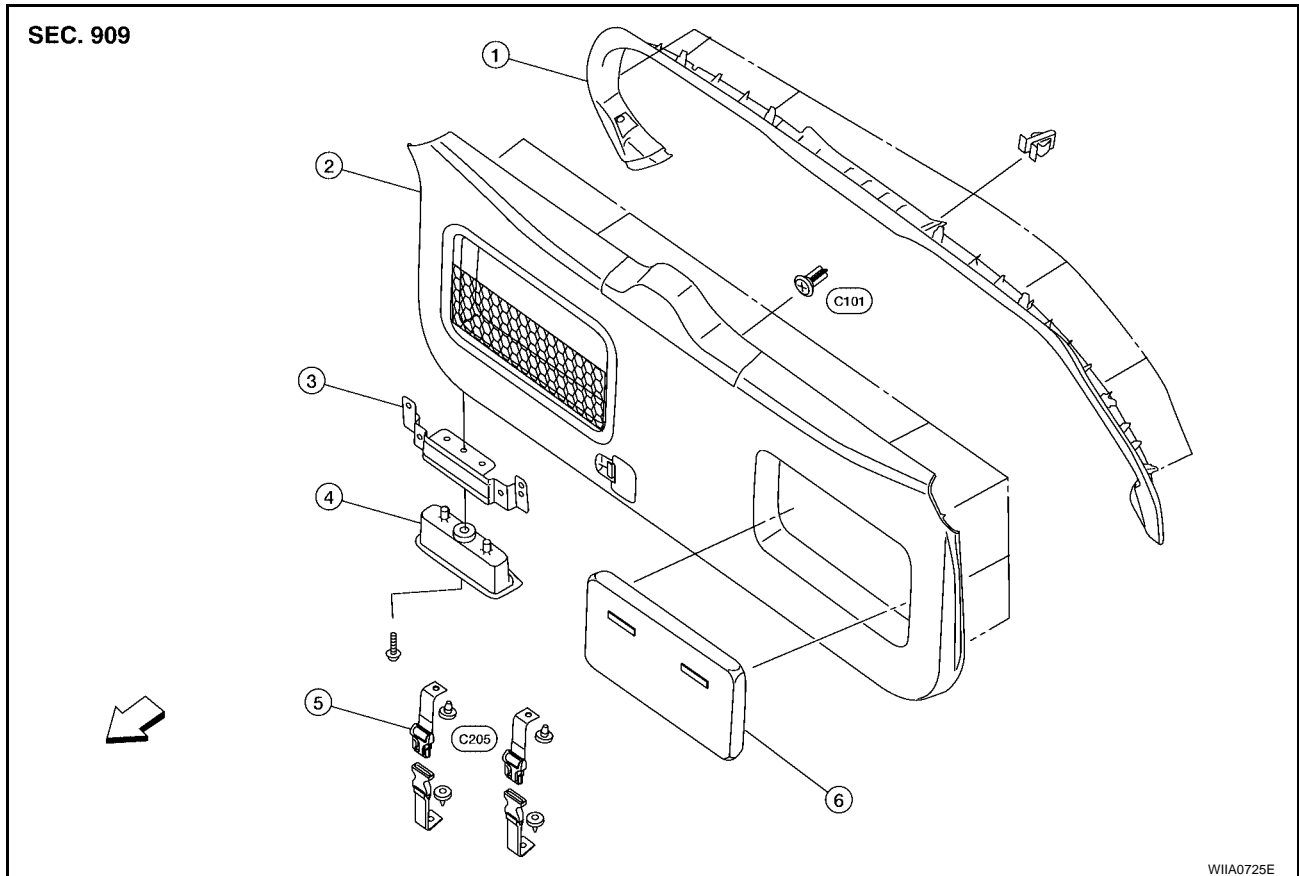
PFP:90900

EIS007UA

BACK DOOR TRIM

Removal and Installation

SEC. 909



- | | | |
|-----------------------------|------------------------|-----------------------------|
| 1. Back door window garnish | 2. Back door finisher | 3. Back door handle bracket |
| 4. Back door handle | 5. First aid kit strap | 6. First aid kit |
- ← Vehicle front

REMOVAL

1. Open back door glass.
2. Disconnect the gas spring LH and RH from back door (through window garnish).
3. Open the back door, release the clips and remove back door window garnish.
4. Remove the screw and back door handle.
5. Release the clips and remove back door finisher assembly.

INSTALLATION

Installation is in the reverse order of removal.

BACK DOOR TRIM
