

A  
EC  
C  
D  
E  
F  
G  
H  
I  
J  
K  
L  
M  
N  
O  
P

# SECTION EC

## ENGINE CONTROL SYSTEM

### CONTENTS

<b>VQ40DE</b>	
<b>BASIC INSPECTION</b> .....	<b>EVAPORATIVE EMISSION SYSTEM</b> .....45
.....14	Description .....
<b>DIAGNOSIS AND REPAIR WORKFLOW</b> .....	.....45
.....14	<b>INTAKE VALVE TIMING CONTROL</b> .....48
Trouble Diagnosis Introduction .....	Description .....
..... 14	.....48
<b>INSPECTION AND ADJUSTMENT</b> .....	<b>VARIABLE INDUCTION AIR SYSTEM</b> .....49
.....20	Description .....
Basic Inspection .....	.....49
.....20	Vacuum Hose Drawing .....
Idle Speed and Ignition Timing Check .....	.....51
.....24	<b>ON BOARD DIAGNOSTIC (OBD) SYSTEM</b> ....52
Procedure After Replacing ECM .....	Introduction .....
.....24	.....52
VIN Registration .....	Two Trip Detection Logic .....
.....25	.....52
Accelerator Pedal Released Position Learning .....	Emission-related Diagnostic Information .....
.....25	.....53
Throttle Valve Closed Position Learning .....	Malfunction Indicator Lamp (MIL) .....
.....25	.....65
Idle Air Volume Learning .....	OBD System Operation Chart .....
.....25	.....68
<b>FUNCTION DIAGNOSIS</b> .....	CONSULT-III Function (ENGINE) .....
.....28	.....73
<b>ENGINE CONTROL SYSTEM</b> .....	Generic Scan Tool (GST) Function .....
.....28	.....82
System Diagram .....	<b>COMPONENT DIAGNOSIS</b> .....
.....28	.....84
Engine Control Component Parts Location .....	<b>TROUBLE DIAGNOSIS - SPECIFICATION</b>
.....29	<b>VALUE</b> .....
<b>MULTIPOINT FUEL INJECTION SYSTEM</b> .....	.....84
.....36	Description .....
System Description .....	.....84
.....36	Testing Condition .....
<b>ELECTRIC IGNITION SYSTEM</b> .....	.....84
.....39	Inspection Procedure .....
System Description .....	.....84
.....39	Diagnosis Procedure .....
<b>AIR CONDITIONING CUT CONTROL</b> .....	.....84
.....40	<b>POWER SUPPLY AND GROUND CIRCUIT</b> ....92
Input/Output Signal Chart .....	Diagnosis Procedure .....
.....40	.....92
System Description .....	Ground Inspection .....
.....40	.....95
<b>AUTOMATIC SPEED CONTROL DEVICE</b>	<b>U0101 CAN COMM CIRCUIT</b> .....
<b>(ASCD)</b> .....	.....96
.....41	Description .....
System Description .....	.....96
.....41	On Board Diagnosis Logic .....
Component Description .....	.....96
.....42	DTC Confirmation Procedure .....
<b>CAN COMMUNICATION</b> .....	.....96
.....43	Diagnosis Procedure .....
System Description .....	.....96
.....43	<b>U1001 CAN COMM CIRCUIT</b> .....
<b>COOLING FAN CONTROL</b> .....	.....97
.....44	Description .....
Description .....	.....97
.....44	On Board Diagnosis Logic .....
	.....97
	DTC Confirmation Procedure .....
	.....97

Diagnosis Procedure .....	97	<b>P0117, P0118 ECT SENSOR .....</b>	<b>128</b>
<b>P0011, P0021 IVT CONTROL .....</b>	<b>98</b>	Component Description .....	128
On Board Diagnosis Logic .....	98	On Board Diagnosis Logic .....	128
DTC Confirmation Procedure .....	98	DTC Confirmation Procedure .....	129
Diagnosis Procedure .....	99	Diagnosis Procedure .....	129
Component Inspection .....	100	Component Inspection .....	130
<b>P0031, P0032, P0051, P0052 A/F SENSOR 1 HEATER .....</b>	<b>101</b>	<b>P0122, P0123 TP SENSOR .....</b>	<b>132</b>
Description .....	101	Component Description .....	132
On Board Diagnosis Logic .....	101	On Board Diagnosis Logic .....	132
DTC Confirmation Procedure .....	101	DTC Confirmation Procedure .....	132
Diagnosis Procedure .....	101	Diagnosis Procedure .....	132
Component Inspection .....	103	Component Inspection .....	135
<b>P0037, P0038, P0057, P0058 HO2S2 HEAT- ER .....</b>	<b>104</b>	<b>P0125 ECT SENSOR .....</b>	<b>136</b>
Description .....	104	Component Description .....	136
On Board Diagnosis Logic .....	104	On Board Diagnosis Logic .....	136
DTC Confirmation Procedure .....	104	DTC Confirmation Procedure .....	136
Diagnosis Procedure .....	105	Diagnosis Procedure .....	137
Component Inspection .....	106	Component Inspection .....	137
<b>P0075, P0081 IVT CONTROL SOLENOID VALVE .....</b>	<b>108</b>	<b>P0127 IAT SENSOR .....</b>	<b>139</b>
Component Description .....	108	Component Description .....	139
On Board Diagnosis Logic .....	108	On Board Diagnosis Logic .....	139
DTC Confirmation Procedure .....	108	DTC Confirmation Procedure .....	139
Diagnosis Procedure .....	108	Diagnosis Procedure .....	140
Component Inspection .....	109	Component Inspection .....	140
<b>P0101 MAF SENSOR .....</b>	<b>111</b>	<b>P0128 THERMOSTAT FUNCTION .....</b>	<b>142</b>
Component Description .....	111	On Board Diagnosis Logic .....	142
On Board Diagnosis Logic .....	111	DTC Confirmation Procedure .....	142
DTC Confirmation Procedure .....	111	Diagnosis Procedure .....	142
Overall Function Check .....	112	Component Inspection .....	143
Diagnosis Procedure .....	113	<b>P0130, P0150 A/F SENSOR 1 .....</b>	<b>144</b>
Component Inspection .....	115	Component Description .....	144
<b>P0102, P0103 MAF SENSOR .....</b>	<b>117</b>	On Board Diagnosis Logic .....	144
Component Description .....	117	DTC Confirmation Procedure .....	144
On Board Diagnosis Logic .....	117	Overall Function Check .....	145
DTC Confirmation Procedure .....	117	Diagnosis Procedure .....	145
Diagnosis Procedure .....	118	<b>P0131, P0151 A/F SENSOR 1 .....</b>	<b>148</b>
Component Inspection .....	119	Component Description .....	148
<b>P0112, P0113 IAT SENSOR .....</b>	<b>122</b>	On Board Diagnosis Logic .....	148
Component Description .....	122	DTC Confirmation Procedure .....	148
On Board Diagnosis Logic .....	122	Diagnosis Procedure .....	149
DTC Confirmation Procedure .....	122	<b>P0132, P0152 A/F SENSOR 1 .....</b>	<b>152</b>
Diagnosis Procedure .....	122	Component Description .....	152
Component Inspection .....	124	On Board Diagnosis Logic .....	152
<b>P0116 ECT SENSOR .....</b>	<b>125</b>	DTC Confirmation Procedure .....	152
Component Description .....	125	Diagnosis Procedure .....	153
On Board Diagnosis Logic .....	125	<b>P0133, P0153 A/F SENSOR 1 .....</b>	<b>156</b>
DTC Confirmation Procedure .....	125	Component Description .....	156
Diagnosis Procedure .....	126	On Board Diagnosis Logic .....	156
Component Inspection .....	126	DTC Confirmation Procedure .....	156
		Diagnosis Procedure .....	157
		<b>P0137, P0157 HO2S2 .....</b>	<b>161</b>
		Component Description .....	161

On Board Diagnosis Logic .....	161	<b>P0327, P0328, P0332, P0333 KS</b> .....	<b>210</b>	
DTC Confirmation Procedure .....	161	Component Description .....	210	A
Overall Function Check .....	162	On Board Diagnosis Logic .....	210	
Diagnosis Procedure .....	162	DTC Confirmation Procedure .....	210	
Component Inspection .....	165	Diagnosis Procedure .....	210	EC
<b>P0138, P0158 HO2S2</b> .....	<b>167</b>	Component Inspection .....	212	
Component Description .....	167	<b>P0335 CKP SENSOR (POS)</b> .....	<b>213</b>	
On Board Diagnosis Logic .....	167	Component Description .....	213	C
DTC Confirmation Procedure .....	168	On Board Diagnosis Logic .....	213	
Overall Function Check .....	168	DTC Confirmation Procedure .....	213	
Diagnosis Procedure .....	169	Diagnosis Procedure .....	213	D
Component Inspection .....	173	Component Inspection .....	215	
<b>P0139, P0159 HO2S2</b> .....	<b>175</b>	<b>P0340, P0345 CMP SENSOR (PHASE)</b> .....	<b>217</b>	
Component Description .....	175	Component Description .....	217	E
On Board Diagnosis Logic .....	175	On Board Diagnosis Logic .....	217	
DTC Confirmation Procedure .....	175	DTC Confirmation Procedure .....	217	
Overall Function Check .....	176	Diagnosis Procedure .....	218	F
Diagnosis Procedure .....	176	Component Inspection .....	220	
Component Inspection .....	179	<b>P0420, P0430 THREE WAY CATALYST</b>		
<b>P0171, P0174 FUEL INJECTION SYSTEM</b>		<b>FUNCTION</b> .....	<b>221</b>	G
<b>FUNCTION</b> .....	<b>181</b>	On Board Diagnosis Logic .....	221	
On Board Diagnosis Logic .....	181	DTC Confirmation Procedure .....	221	H
DTC Confirmation Procedure .....	181	Overall Function Check .....	222	
Diagnosis Procedure .....	182	Diagnosis Procedure .....	222	
<b>P0172, P0175 FUEL INJECTION SYSTEM</b>		<b>P0441 EVAP CONTROL SYSTEM</b> .....	<b>226</b>	I
<b>FUNCTION</b> .....	<b>187</b>	System Description .....	226	
On Board Diagnosis Logic .....	187	On Board Diagnosis Logic .....	226	J
DTC Confirmation Procedure .....	187	DTC Confirmation Procedure .....	226	
Diagnosis Procedure .....	188	Overall Function Check .....	227	
<b>P0181 FTT SENSOR</b> .....	<b>193</b>	Diagnosis Procedure .....	227	K
Component Description .....	193	Component Inspection .....	230	
On Board Diagnosis Logic .....	193	<b>P0442 EVAP CONTROL SYSTEM</b> .....	<b>231</b>	
DTC Confirmation Procedure .....	193	On Board Diagnosis Logic .....	231	L
Diagnosis Procedure .....	194	DTC Confirmation Procedure .....	232	
Component Inspection .....	195	Diagnosis Procedure .....	232	
<b>P0182, P0183 FTT SENSOR</b> .....	<b>196</b>	Component Inspection .....	237	
Component Description .....	196	<b>P0443 EVAP CANISTER PURGE VOLUME</b>		M
On Board Diagnosis Logic .....	196	<b>CONTROL SOLENOID VALVE</b> .....	<b>238</b>	
DTC Confirmation Procedure .....	196	Description .....	238	N
Diagnosis Procedure .....	196	On Board Diagnosis Logic .....	238	
Component Inspection .....	198	DTC Confirmation Procedure .....	239	
<b>P0222, P0223 TP SENSOR</b> .....	<b>199</b>	Diagnosis Procedure .....	239	O
Component Description .....	199	Component Inspection .....	242	
On Board Diagnosis Logic .....	199	<b>P0444, P0445 EVAP CANISTER PURGE</b>		
DTC Confirmation Procedure .....	199	<b>VOLUME CONTROL SOLENOID VALVE</b> .....	<b>243</b>	P
Diagnosis Procedure .....	199	Description .....	243	
Component Inspection .....	202	On Board Diagnosis Logic .....	243	
<b>P0300, P0301, P0302, P0303, P0304, P0305,</b>		DTC Confirmation Procedure .....	244	
<b>P0306, P0307, P0308 MISFIRE</b> .....	<b>203</b>	Diagnosis Procedure .....	244	
On Board Diagnosis Logic .....	203	Component Inspection .....	245	
DTC Confirmation Procedure .....	203	<b>P0447 EVAP CANISTER VENT CONTROL</b>		
Diagnosis Procedure .....	204	<b>VALVE</b> .....	<b>246</b>	

Component Description .....	246	Overall Function Check .....	284
On Board Diagnosis Logic .....	246	Diagnosis Procedure .....	285
DTC Confirmation Procedure .....	246	<b>P0462, P0463 FUEL LEVEL SENSOR .....</b>	<b>286</b>
Diagnosis Procedure .....	246	Component Description .....	286
Component Inspection .....	248	On Board Diagnosis Logic .....	286
<b>P0448 EVAP CANISTER VENT CONTROL</b>		DTC Confirmation Procedure .....	286
<b>VALVE .....</b>	<b>250</b>	Diagnosis Procedure .....	286
Component Description .....	250	<b>P0500 VSS .....</b>	<b>288</b>
On Board Diagnosis Logic .....	250	Description .....	288
DTC Confirmation Procedure .....	250	On Board Diagnosis Logic .....	288
Diagnosis Procedure .....	251	DTC Confirmation Procedure .....	288
Component Inspection .....	252	Overall Function Check .....	289
<b>P0451 EVAP CONTROL SYSTEM PRES-</b>		Diagnosis Procedure .....	289
<b>SURE SENSOR .....</b>	<b>255</b>	<b>P0506 ISC SYSTEM .....</b>	<b>290</b>
Component Description .....	255	Description .....	290
On Board Diagnosis Logic .....	255	On Board Diagnosis Logic .....	290
DTC Confirmation Procedure .....	255	DTC Confirmation Procedure .....	290
Diagnosis Procedure .....	255	Diagnosis Procedure .....	290
Component Inspection .....	256	<b>P0507 ISC SYSTEM .....</b>	<b>292</b>
<b>P0452 EVAP CONTROL SYSTEM PRES-</b>		Description .....	292
<b>SURE SENSOR .....</b>	<b>258</b>	On Board Diagnosis Logic .....	292
Component Description .....	258	DTC Confirmation Procedure .....	292
On Board Diagnosis Logic .....	258	Diagnosis Procedure .....	292
DTC Confirmation Procedure .....	258	<b>P0550 PSP SENSOR .....</b>	<b>294</b>
Diagnosis Procedure .....	259	Component Description .....	294
Component Inspection .....	261	On Board Diagnosis Logic .....	294
<b>P0453 EVAP CONTROL SYSTEM PRES-</b>		DTC Confirmation Procedure .....	294
<b>SURE SENSOR .....</b>	<b>262</b>	Diagnosis Procedure .....	294
Component Description .....	262	Component Inspection .....	296
On Board Diagnosis Logic .....	262	<b>P0603 ECM POWER SUPPLY .....</b>	<b>297</b>
DTC Confirmation Procedure .....	262	Component Description .....	297
Diagnosis Procedure .....	263	On Board Diagnosis Logic .....	297
Component Inspection .....	266	DTC Confirmation Procedure .....	297
<b>P0455 EVAP CONTROL SYSTEM .....</b>	<b>267</b>	Diagnosis Procedure .....	297
On Board Diagnosis Logic .....	267	<b>P0605 ECM .....</b>	<b>299</b>
DTC Confirmation Procedure .....	267	Component Description .....	299
Diagnosis Procedure .....	268	On Board Diagnosis Logic .....	299
Component Inspection .....	272	DTC Confirmation Procedure .....	299
<b>P0456 EVAP CONTROL SYSTEM .....</b>	<b>274</b>	Diagnosis Procedure .....	300
On Board Diagnosis Logic .....	274	<b>P0607 ECM .....</b>	<b>301</b>
DTC Confirmation Procedure .....	275	Description .....	301
Overall Function Check .....	275	On Board Diagnosis Logic .....	301
Diagnosis Procedure .....	276	DTC Confirmation Procedure .....	301
Component Inspection .....	281	Diagnosis Procedure .....	301
<b>P0460 FUEL LEVEL SENSOR .....</b>	<b>282</b>	<b>P0643 SENSOR POWER SUPPLY .....</b>	<b>302</b>
Component Description .....	282	On Board Diagnosis Logic .....	302
On Board Diagnosis Logic .....	282	DTC Confirmation Procedure .....	302
DTC Confirmation Procedure .....	282	Diagnosis Procedure .....	302
Diagnosis Procedure .....	282	<b>P0850 PNP SWITCH .....</b>	<b>305</b>
<b>P0461 FUEL LEVEL SENSOR .....</b>	<b>284</b>	Component Description .....	305
Component Description .....	284	On Board Diagnosis Logic .....	305
On Board Diagnosis Logic .....	284		



DTC Confirmation Procedure .....	305	DTC Confirmation Procedure .....	328	A
Overall Function Check .....	305	Diagnosis Procedure .....	328	
Diagnosis Procedure .....	306	Component Inspection .....	330	
<b>P1148, P1168 CLOSED LOOP CONTROL ....</b>	<b>307</b>	<b>P1554 BATTERY CURRENT SENSOR .....</b>	<b>332</b>	<b>EC</b>
On Board Diagnosis Logic .....	307	Component Description .....	332	
<b>P1211 TCS CONTROL UNIT .....</b>	<b>308</b>	On Board Diagnosis Logic .....	332	
Description .....	308	Overall Function Check .....	332	C
On Board Diagnosis Logic .....	308	Diagnosis Procedure .....	333	
DTC Confirmation Procedure .....	308	Component Inspection .....	334	
Diagnosis Procedure .....	308	<b>P1564 ASCD STEERING SWITCH .....</b>	<b>336</b>	D
<b>P1212 TCS COMMUNICATION LINE .....</b>	<b>309</b>	Component Description .....	336	
Description .....	309	On Board Diagnosis Logic .....	336	
On Board Diagnosis Logic .....	309	DTC Confirmation Procedure .....	336	E
DTC Confirmation Procedure .....	309	Diagnosis Procedure .....	336	
Diagnosis Procedure .....	309	Component Inspection .....	338	
<b>P1217 ENGINE OVER TEMPERATURE .....</b>	<b>310</b>	<b>P1572 ASCD BRAKE SWITCH .....</b>	<b>340</b>	F
On Board Diagnosis Logic .....	310	Component Description .....	340	
Overall Function Check .....	310	On Board Diagnosis Logic .....	340	
Diagnosis Procedure .....	311	DTC Confirmation Procedure .....	340	G
Main 12 Causes of Overheating .....	312	Diagnosis Procedure .....	341	
<b>P1225 TP SENSOR .....</b>	<b>314</b>	Component Inspection .....	344	
Component Description .....	314	<b>P1574 ASCD VEHICLE SPEED SENSOR ....</b>	<b>345</b>	H
On Board Diagnosis Logic .....	314	Component Description .....	345	
DTC Confirmation Procedure .....	314	On Board Diagnosis Logic .....	345	
Diagnosis Procedure .....	314	DTC Confirmation Procedure .....	345	I
<b>P1226 TP SENSOR .....</b>	<b>316</b>	Diagnosis Procedure .....	345	
Component Description .....	316	<b>P1715 INPUT SPEED SENSOR (TURBINE</b>	<b>347</b>	J
On Board Diagnosis Logic .....	316	<b>  REVOLUTION SENSOR) .....</b>	<b>347</b>	
DTC Confirmation Procedure .....	316	Description .....	347	
Diagnosis Procedure .....	316	On Board Diagnosis Logic .....	347	
<b>P1421 COLD START CONTROL .....</b>	<b>318</b>	Diagnosis Procedure .....	347	K
Description .....	318	<b>P1800 VIAS CONTROL SOLENOID VALVE 1.</b>	<b>348</b>	L
On Board Diagnosis Logic .....	318	Component Description .....	348	
DTC Confirmation Procedure .....	318	On Board Diagnosis Logic .....	348	
Diagnosis Procedure .....	318	DTC Confirmation Procedure .....	348	
<b>P1550 BATTERY CURRENT SENSOR .....</b>	<b>320</b>	Diagnosis Procedure .....	348	
Component Description .....	320	Component Inspection .....	349	M
On Board Diagnosis Logic .....	320	<b>P1805 BRAKE SWITCH .....</b>	<b>351</b>	
DTC Confirmation Procedure .....	320	Description .....	351	
Diagnosis Procedure .....	320	On Board Diagnosis Logic .....	351	N
Component Inspection .....	322	DTC Confirmation Procedure .....	351	
<b>P1551, P1552 BATTERY CURRENT SEN-</b>	<b>324</b>	Diagnosis Procedure .....	351	
<b>SOR .....</b>	<b>324</b>	Component Inspection .....	353	O
Component Description .....	324	<b>P2100, P2103 THROTTLE CONTROL MO-</b>	<b>354</b>	
On Board Diagnosis Logic .....	324	<b>TOR RELAY .....</b>	<b>354</b>	P
DTC Confirmation Procedure .....	324	Component Description .....	354	
Diagnosis Procedure .....	324	On Board Diagnosis Logic .....	354	
Component Inspection .....	326	DTC Confirmation Procedure .....	354	
<b>P1553 BATTERY CURRENT SENSOR .....</b>	<b>328</b>	Diagnosis Procedure .....	354	
Component Description .....	328	<b>P2101 ELECTRIC THROTTLE CONTROL</b>	<b>357</b>	
On Board Diagnosis Logic .....	328	<b>  FUNCTION .....</b>	<b>357</b>	
		Description .....	357	

On Board Diagnosis Logic .....	357	<b>COOLING FAN .....</b>	<b>390</b>
DTC Confirmation Procedure .....	357	Description .....	390
Diagnosis Procedure .....	357	Diagnosis Procedure .....	390
Component Inspection .....	360	Component Inspection .....	391
<b>P2118 THROTTLE CONTROL MOTOR .....</b>	<b>361</b>	<b>ELECTRICAL LOAD SIGNAL .....</b>	<b>392</b>
Component Description .....	361	Description .....	392
On Board Diagnosis Logic .....	361	Diagnosis Procedure .....	392
DTC Confirmation Procedure .....	361	<b>FUEL INJECTOR .....</b>	<b>394</b>
Diagnosis Procedure .....	361	Component Description .....	394
Component Inspection .....	362	Diagnosis Procedure .....	394
<b>P2119 ELECTRIC THROTTLE CONTROL</b>		Component Inspection .....	397
<b>ACTUATOR .....</b>	<b>363</b>	<b>FUEL PUMP .....</b>	<b>398</b>
Component Description .....	363	Description .....	398
On Board Diagnosis Logic .....	363	Diagnosis Procedure .....	398
DTC Confirmation Procedure .....	363	Component Inspection .....	401
Diagnosis Procedure .....	364	<b>IGNITION SIGNAL .....</b>	<b>402</b>
<b>P2122, P2123 APP SENSOR .....</b>	<b>365</b>	Component Description .....	402
Component Description .....	365	Diagnosis Procedure .....	402
On Board Diagnosis Logic .....	365	Component Inspection .....	405
DTC Confirmation Procedure .....	365	<b>ON BOARD REFUELING VAPOR RECOV-</b>	
Diagnosis Procedure .....	366	<b>ERY (ORVR) .....</b>	<b>407</b>
Component Inspection .....	367	System Description .....	407
<b>P2127, P2128 APP SENSOR .....</b>	<b>368</b>	Diagnosis Procedure .....	407
Component Description .....	368	Component Inspection .....	410
On Board Diagnosis Logic .....	368	<b>POSITIVE CRANKCASE VENTILATION .....</b>	<b>412</b>
DTC Confirmation Procedure .....	368	Description .....	412
Diagnosis Procedure .....	368	Component Inspection .....	412
Component Inspection .....	371	<b>REFRIGERANT PRESSURE SENSOR .....</b>	<b>414</b>
<b>P2135 TP SENSOR .....</b>	<b>372</b>	Component Description .....	414
Component Description .....	372	Diagnosis Procedure .....	414
On Board Diagnosis Logic .....	372	<b>VIAS .....</b>	<b>417</b>
DTC Confirmation Procedure .....	372	Diagnosis Procedure .....	417
Diagnosis Procedure .....	372	Component Inspection .....	419
Component Inspection .....	375	<b>ECU DIAGNOSIS .....</b>	<b>421</b>
<b>P2138 APP SENSOR .....</b>	<b>376</b>	<b>ECM .....</b>	<b>421</b>
Component Description .....	376	CONSULT-III Reference Value in Data Monitor	
On Board Diagnosis Logic .....	376	Mode .....	421
DTC Confirmation Procedure .....	376	ECM Harness Connector Terminal Layout .....	424
Diagnosis Procedure .....	377	ECM Terminal and Reference Value .....	424
Component Inspection .....	379	Wiring Diagram - ENGINE CONTROL SYSTEM -	433
<b>P2A00, P2A03 A/F SENSOR 1 .....</b>	<b>380</b>	Fail-Safe Chart .....	453
Component Description .....	380	DTC Inspection Priority Chart .....	455
On Board Diagnosis Logic .....	380	DTC Index .....	456
DTC Confirmation Procedure .....	380	Emission-related Diagnostic Information .....	459
Diagnosis Procedure .....	381	<b>SYMPTOM DIAGNOSIS .....</b>	<b>473</b>
<b>ASCD BRAKE SWITCH .....</b>	<b>385</b>	<b>ENGINE CONTROL SYSTEM SYMPTOMS ...</b>	<b>473</b>
Component Description .....	385	Symptom Matrix Chart .....	473
Diagnosis Procedure .....	385	<b>NORMAL OPERATING CONDITION .....</b>	<b>477</b>
Component Inspection .....	388		
<b>ASCD INDICATOR .....</b>	<b>389</b>		
Component Description .....	389		
Diagnosis Procedure .....	389		

Fuel Cut Control (at No Load and High Engine Speed) .....	477	Idle Speed and Ignition Timing Check .....	499	
<b>PRECAUTION</b> .....	<b>478</b>	Procedure After Replacing ECM .....	499	A
<b>PRECAUTIONS</b> .....	<b>478</b>	VIN Registration .....	499	
Precaution for Supplemental Restraint System (SRS) "AIR BAG" and "SEAT BELT PRE-TENSIONER" .....	478	Accelerator Pedal Released Position Learning ....	500	<b>EC</b>
Precaution for Procedure without Cowl Top Cover.	478	Throttle Valve Closed Position Learning .....	500	
On Board Diagnosis (OBD) System of Engine and A/T .....	478	Idle Air Volume Learning .....	500	
Precaution .....	479	<b>FUNCTION DIAGNOSIS</b> .....	<b>503</b>	C
<b>PREPARATION</b> .....	<b>482</b>	<b>ENGINE CONTROL SYSTEM</b> .....	<b>503</b>	
<b>PREPARATION</b> .....	<b>482</b>	System Diagram .....	503	D
Special Service Tool .....	482	Engine Control Component Parts Location .....	504	
Commercial Service Tool .....	483	<b>MULTIPOINT FUEL INJECTION SYSTEM</b> .....	<b>511</b>	E
<b>ON-VEHICLE MAINTENANCE</b> .....	<b>484</b>	System Description .....	511	
<b>FUEL PRESSURE</b> .....	<b>484</b>	<b>ELECTRIC IGNITION SYSTEM</b> .....	<b>514</b>	F
Fuel Pressure Check .....	484	System Description .....	514	
<b>EVAP LEAK CHECK</b> .....	<b>486</b>	<b>AIR CONDITIONING CUT CONTROL</b> .....	<b>515</b>	G
How to Detect Fuel Vapor Leakage .....	486	Input/Output Signal Chart .....	515	
<b>ON-VEHICLE REPAIR</b> .....	<b>487</b>	System Description .....	515	H
<b>EVAP CANISTER</b> .....	<b>487</b>	<b>AUTOMATIC SPEED CONTROL DEVICE (ASCD)</b> .....	<b>516</b>	
Component Inspection .....	487	System Description .....	516	I
Removal and Installation .....	487	Component Description .....	517	
<b>SERVICE DATA AND SPECIFICATIONS (SDS)</b> .....	<b>488</b>	<b>CAN COMMUNICATION</b> .....	<b>518</b>	J
<b>SERVICE DATA AND SPECIFICATIONS (SDS)</b> .....	<b>488</b>	System Description .....	518	
Fuel Pressure .....	488	<b>COOLING FAN CONTROL</b> .....	<b>519</b>	K
Idle Speed and Ignition Timing .....	488	Description .....	519	
Calculated Load Value .....	488	<b>EVAPORATIVE EMISSION SYSTEM</b> .....	<b>520</b>	L
Mass Air Flow Sensor .....	488	Description .....	520	
Intake Air Temperature Sensor .....	488	<b>INTAKE VALVE TIMING CONTROL</b> .....	<b>523</b>	M
Engine Coolant Temperature Sensor .....	488	Description .....	523	
Air Fuel Ratio (A/F) Sensor 1 Heater .....	488	<b>ON BOARD DIAGNOSTIC (OBD) SYSTEM</b> ..	<b>524</b>	N
Heated Oxygen sensor 2 Heater .....	489	Introduction .....	524	
Crankshaft Position Sensor (POS) .....	489	Two Trip Detection Logic .....	524	O
Camshaft Position Sensor (PHASE) .....	489	Emission-related Diagnostic Information .....	525	
Throttle Control Motor .....	489	Malfunction Indicator Lamp (MIL) .....	538	P
Fuel Injector .....	489	OBD System Operation Chart .....	541	
Fuel Pump .....	489	CONSULT-III Function (ENGINE) .....	546	
		Generic Scan Tool (GST) Function .....	555	
		<b>COMPONENT DIAGNOSIS</b> .....	<b>557</b>	
		<b>TROUBLE DIAGNOSIS - SPECIFICATION VALUE</b> .....	<b>557</b>	
		Description .....	557	
		Testing Condition .....	557	
		Inspection Procedure .....	557	
		Diagnosis Procedure .....	558	
		<b>POWER SUPPLY AND GROUND CIRCUIT</b> ..	<b>565</b>	
		Diagnosis Procedure .....	565	
		Ground Inspection .....	568	

**VK56DE**

<b>U0101 CAN COMM CIRCUIT</b> .....	<b>569</b>	DTC Confirmation Procedure .....	599
Description .....	569	Diagnosis Procedure .....	599
On Board Diagnosis Logic .....	569	Component Inspection .....	601
DTC Confirmation Procedure .....	569		
Diagnosis Procedure .....	569		
<b>U1001 CAN COMM CIRCUIT</b> .....	<b>570</b>	<b>P0116 ECT SENSOR</b> .....	<b>602</b>
Description .....	570	Component Description .....	602
On Board Diagnosis Logic .....	570	On Board Diagnosis Logic .....	602
DTC Confirmation Procedure .....	570	DTC Confirmation Procedure .....	602
Diagnosis Procedure .....	570	Diagnosis Procedure .....	603
		Component Inspection .....	603
<b>P0011, P0021 IVT CONTROL</b> .....	<b>571</b>	<b>P0117, P0118 ECT SENSOR</b> .....	<b>605</b>
On Board Diagnosis Logic .....	571	Component Description .....	605
DTC Confirmation Procedure .....	571	On Board Diagnosis Logic .....	605
Diagnosis Procedure .....	572	DTC Confirmation Procedure .....	606
Component Inspection .....	576	Diagnosis Procedure .....	606
		Component Inspection .....	607
<b>P0031, P0032, P0051, P0052 A/F SENSOR 1 HEATER</b> .....	<b>578</b>	<b>P0122, P0123 TP SENSOR</b> .....	<b>609</b>
Description .....	578	Component Description .....	609
On Board Diagnosis Logic .....	578	On Board Diagnosis Logic .....	609
DTC Confirmation Procedure .....	578	DTC Confirmation Procedure .....	609
Diagnosis Procedure .....	578	Diagnosis Procedure .....	609
Component Inspection .....	580	Component Inspection .....	612
<b>P0037, P0038, P0057, P0058 HO2S2 HEAT- ER</b> .....	<b>581</b>	<b>P0125 ECT SENSOR</b> .....	<b>613</b>
Description .....	581	Component Description .....	613
On Board Diagnosis Logic .....	581	On Board Diagnosis Logic .....	613
DTC Confirmation Procedure .....	581	DTC Confirmation Procedure .....	613
Diagnosis Procedure .....	582	Diagnosis Procedure .....	614
Component Inspection .....	583	Component Inspection .....	614
<b>P0075, P0081 IVT CONTROL SOLENOID VALVE</b> .....	<b>585</b>	<b>P0127 IAT SENSOR</b> .....	<b>616</b>
Component Description .....	585	Component Description .....	616
On Board Diagnosis Logic .....	585	On Board Diagnosis Logic .....	616
DTC Confirmation Procedure .....	585	DTC Confirmation Procedure .....	616
Diagnosis Procedure .....	585	Diagnosis Procedure .....	617
Component Inspection .....	586	Component Inspection .....	617
<b>P0101 MAF SENSOR</b> .....	<b>588</b>	<b>P0128 THERMOSTAT FUNCTION</b> .....	<b>619</b>
Component Description .....	588	On Board Diagnosis Logic .....	619
On Board Diagnosis Logic .....	588	DTC Confirmation Procedure .....	619
DTC Confirmation Procedure .....	588	Diagnosis Procedure .....	619
Overall Function Check .....	589	Component Inspection .....	620
Diagnosis Procedure .....	590	<b>P0130, P0150 A/F SENSOR 1</b> .....	<b>621</b>
Component Inspection .....	592	Component Description .....	621
<b>P0102, P0103 MAF SENSOR</b> .....	<b>594</b>	On Board Diagnosis Logic .....	621
Component Description .....	594	DTC Confirmation Procedure .....	621
On Board Diagnosis Logic .....	594	Overall Function Check .....	622
DTC Confirmation Procedure .....	594	Diagnosis Procedure .....	622
Diagnosis Procedure .....	595	<b>P0131, P0151 A/F SENSOR 1</b> .....	<b>625</b>
Component Inspection .....	596	Component Description .....	625
<b>P0112, P0113 IAT SENSOR</b> .....	<b>599</b>	On Board Diagnosis Logic .....	625
Component Description .....	599	DTC Confirmation Procedure .....	625
On Board Diagnosis Logic .....	599	Diagnosis Procedure .....	626
		<b>P0132, P0152 A/F SENSOR 1</b> .....	<b>629</b>
		Component Description .....	629
		On Board Diagnosis Logic .....	629

DTC Confirmation Procedure .....	629	On Board Diagnosis Logic .....	673	
Diagnosis Procedure .....	630	DTC Confirmation Procedure .....	673	A
<b>P0133, P0153 A/F SENSOR 1 .....</b>	<b>633</b>	Diagnosis Procedure .....	673	
Component Description .....	633	Component Inspection .....	676	EC
On Board Diagnosis Logic .....	633	<b>P0300, P0301, P0302, P0303, P0304, P0305,</b>		
DTC Confirmation Procedure .....	633	<b>P0306, P0307, P0308 MISFIRE .....</b>	<b>677</b>	
Diagnosis Procedure .....	634	On Board Diagnosis Logic .....	677	C
<b>P0137, P0157 HO2S2 .....</b>	<b>639</b>	DTC Confirmation Procedure .....	677	
Component Description .....	639	Diagnosis Procedure .....	678	
On Board Diagnosis Logic .....	639	<b>P0327, P0328, P0332, P0333 KS .....</b>	<b>684</b>	D
DTC Confirmation Procedure .....	639	Component Description .....	684	
Overall Function Check .....	640	On Board Diagnosis Logic .....	684	
Diagnosis Procedure .....	640	DTC Confirmation Procedure .....	684	E
Component Inspection .....	642	Diagnosis Procedure .....	684	
<b>P0138, P0158 HO2S2 .....</b>	<b>644</b>	Component Inspection .....	686	
Component Description .....	644	<b>P0335 CKP SENSOR (POS) .....</b>	<b>687</b>	F
On Board Diagnosis Logic .....	644	Component Description .....	687	
DTC Confirmation Procedure .....	644	On Board Diagnosis Logic .....	687	
Overall Function Check .....	645	DTC Confirmation Procedure .....	687	G
Diagnosis Procedure .....	646	Diagnosis Procedure .....	687	
Component Inspection .....	650	Component Inspection .....	689	
<b>P0139, P0159 HO2S2 .....</b>	<b>652</b>	<b>P0340 CMP SENSOR (PHASE) .....</b>	<b>691</b>	H
Component Description .....	652	Component Description .....	691	
On Board Diagnosis Logic .....	652	On Board Diagnosis Logic .....	691	
DTC Confirmation Procedure .....	652	DTC Confirmation Procedure .....	691	I
Overall Function Check .....	653	Diagnosis Procedure .....	692	
Diagnosis Procedure .....	653	Component Inspection .....	693	
Component Inspection .....	655	<b>P0420, P0430 THREE WAY CATALYST</b>		J
<b>P0171, P0174 FUEL INJECTION SYSTEM</b>		<b>FUNCTION .....</b>	<b>695</b>	
<b>FUNCTION .....</b>	<b>657</b>	On Board Diagnosis Logic .....	695	K
On Board Diagnosis Logic .....	657	DTC Confirmation Procedure .....	695	
DTC Confirmation Procedure .....	657	Overall Function Check .....	696	
Diagnosis Procedure .....	659	Diagnosis Procedure .....	696	
<b>P0172, P0175 FUEL INJECTION SYSTEM</b>		<b>P0441 EVAP CONTROL SYSTEM .....</b>	<b>699</b>	L
<b>FUNCTION .....</b>	<b>662</b>	System Description .....	699	
On Board Diagnosis Logic .....	662	On Board Diagnosis Logic .....	699	M
DTC Confirmation Procedure .....	662	DTC Confirmation Procedure .....	699	
Diagnosis Procedure .....	663	Overall Function Check .....	700	
<b>P0181 FTT SENSOR .....</b>	<b>667</b>	Diagnosis Procedure .....	700	N
Component Description .....	667	Component Inspection .....	703	
On Board Diagnosis Logic .....	667	<b>P0442 EVAP CONTROL SYSTEM .....</b>	<b>704</b>	
DTC Confirmation Procedure .....	667	On Board Diagnosis Logic .....	704	O
Diagnosis Procedure .....	668	DTC Confirmation Procedure .....	705	
Component Inspection .....	669	Diagnosis Procedure .....	705	
<b>P0182, P0183 FTT SENSOR .....</b>	<b>670</b>	Component Inspection .....	710	P
Component Description .....	670	<b>P0443 EVAP CANISTER PURGE VOLUME</b>		
On Board Diagnosis Logic .....	670	<b>CONTROL SOLENOID VALVE .....</b>	<b>711</b>	
DTC Confirmation Procedure .....	670	Description .....	711	
Diagnosis Procedure .....	670	On Board Diagnosis Logic .....	711	
Component Inspection .....	672	DTC Confirmation Procedure .....	712	
<b>P0222, P0223 TP SENSOR .....</b>	<b>673</b>	Diagnosis Procedure .....	712	
Component Description .....	673	Component Inspection .....	715	

<b>P0444, P0445 EVAP CANISTER PURGE VOLUME CONTROL SOLENOID VALVE</b> .....	<b>716</b>	<b>P0460 FUEL LEVEL SENSOR</b> .....	<b>755</b>
Description .....	716	Component Description .....	755
On Board Diagnosis Logic .....	716	On Board Diagnosis Logic .....	755
DTC Confirmation Procedure .....	717	DTC Confirmation Procedure .....	755
Diagnosis Procedure .....	717	Diagnosis Procedure .....	755
Component Inspection .....	718	<b>P0461 FUEL LEVEL SENSOR</b> .....	<b>757</b>
<b>P0447 EVAP CANISTER VENT CONTROL VALVE</b> .....	<b>719</b>	Component Description .....	757
Component Description .....	719	On Board Diagnosis Logic .....	757
On Board Diagnosis Logic .....	719	Overall Function Check .....	757
DTC Confirmation Procedure .....	719	Diagnosis Procedure .....	758
Diagnosis Procedure .....	719	<b>P0462, P0463 FUEL LEVEL SENSOR</b> .....	<b>759</b>
Component Inspection .....	721	Component Description .....	759
<b>P0448 EVAP CANISTER VENT CONTROL VALVE</b> .....	<b>723</b>	On Board Diagnosis Logic .....	759
Component Description .....	723	DTC Confirmation Procedure .....	759
On Board Diagnosis Logic .....	723	Diagnosis Procedure .....	759
DTC Confirmation Procedure .....	723	<b>P0500 VSS</b> .....	<b>761</b>
Diagnosis Procedure .....	724	Description .....	761
Component Inspection .....	725	On Board Diagnosis Logic .....	761
<b>P0451 EVAP CONTROL SYSTEM PRES-SURE SENSOR</b> .....	<b>728</b>	DTC Confirmation Procedure .....	761
Component Description .....	728	Overall Function Check .....	762
On Board Diagnosis Logic .....	728	Diagnosis Procedure .....	762
DTC Confirmation Procedure .....	728	<b>P0506 ISC SYSTEM</b> .....	<b>763</b>
Diagnosis Procedure .....	729	Description .....	763
Component Inspection .....	730	On Board Diagnosis Logic .....	763
<b>P0452 EVAP CONTROL SYSTEM PRES-SURE SENSOR</b> .....	<b>731</b>	DTC Confirmation Procedure .....	763
Component Description .....	731	Diagnosis Procedure .....	763
On Board Diagnosis Logic .....	731	<b>P0507 ISC SYSTEM</b> .....	<b>765</b>
DTC Confirmation Procedure .....	731	Description .....	765
Diagnosis Procedure .....	732	On Board Diagnosis Logic .....	765
Component Inspection .....	734	DTC Confirmation Procedure .....	765
<b>P0453 EVAP CONTROL SYSTEM PRES-SURE SENSOR</b> .....	<b>735</b>	Diagnosis Procedure .....	765
Component Description .....	735	<b>P0550 PSP SENSOR</b> .....	<b>767</b>
On Board Diagnosis Logic .....	735	Component Description .....	767
DTC Confirmation Procedure .....	735	On Board Diagnosis Logic .....	767
Diagnosis Procedure .....	736	DTC Confirmation Procedure .....	767
Component Inspection .....	739	Diagnosis Procedure .....	767
<b>P0455 EVAP CONTROL SYSTEM</b> .....	<b>740</b>	Component Inspection .....	769
On Board Diagnosis Logic .....	740	<b>P0603 ECM POWER SUPPLY</b> .....	<b>770</b>
DTC Confirmation Procedure .....	740	Component Description .....	770
Diagnosis Procedure .....	741	On Board Diagnosis Logic .....	770
Component Inspection .....	746	DTC Confirmation Procedure .....	770
<b>P0456 EVAP CONTROL SYSTEM</b> .....	<b>747</b>	Diagnosis Procedure .....	770
On Board Diagnosis Logic .....	747	<b>P0605 ECM</b> .....	<b>772</b>
DTC Confirmation Procedure .....	748	Component Description .....	772
Overall Function Check .....	748	On Board Diagnosis Logic .....	772
Diagnosis Procedure .....	749	DTC Confirmation Procedure .....	772
Component Inspection .....	754	Diagnosis Procedure .....	773
		<b>P0607 ECM</b> .....	<b>774</b>
		Description .....	774
		On Board Diagnosis Logic .....	774
		DTC Confirmation Procedure .....	774
		Diagnosis Procedure .....	774

<b>P0643 SENSOR POWER SUPPLY</b> .....	<b>775</b>	On Board Diagnosis Logic .....	796	
On Board Diagnosis Logic .....	775	DTC Confirmation Procedure .....	796	A
DTC Confirmation Procedure .....	775	Diagnosis Procedure .....	796	
Diagnosis Procedure .....	775	Component Inspection .....	798	
<b>P0850 PNP SWITCH</b> .....	<b>778</b>	<b>P1551, P1552 BATTERY CURRENT SEN-</b>		<b>EC</b>
Component Description .....	778	<b>SOR</b> .....	<b>800</b>	
On Board Diagnosis Logic .....	778	Component Description .....	800	
DTC Confirmation Procedure .....	778	On Board Diagnosis Logic .....	800	C
Overall Function Check .....	778	DTC Confirmation Procedure .....	800	
Diagnosis Procedure .....	779	Diagnosis Procedure .....	800	
<b>P1140, P1145 IVT CONTROL POSITION</b>		Component Inspection .....	802	D
<b>SENSOR</b> .....	<b>780</b>	<b>P1553 BATTERY CURRENT SENSOR</b> .....	<b>804</b>	
Component Description .....	780	Component Description .....	804	E
On Board Diagnosis Logic .....	780	On Board Diagnosis Logic .....	804	
DTC Confirmation Procedure .....	780	DTC Confirmation Procedure .....	804	F
Diagnosis Procedure .....	780	Diagnosis Procedure .....	804	
Component Inspection .....	783	Component Inspection .....	806	
<b>P1148, P1168 CLOSED LOOP CONTROL</b> ....	<b>784</b>	<b>P1554 BATTERY CURRENT SENSOR</b> .....	<b>808</b>	
On Board Diagnosis Logic .....	784	Component Description .....	808	G
<b>P1211 TCS CONTROL UNIT</b> .....	<b>785</b>	On Board Diagnosis Logic .....	808	
Description .....	785	Overall Function Check .....	808	H
On Board Diagnosis Logic .....	785	Diagnosis Procedure .....	809	
DTC Confirmation Procedure .....	785	Component Inspection .....	810	
Diagnosis Procedure .....	785	<b>P1564 ASCD STEERING SWITCH</b> .....	<b>812</b>	
<b>P1212 TCS COMMUNICATION LINE</b> .....	<b>786</b>	Component Description .....	812	I
Description .....	786	On Board Diagnosis Logic .....	812	
On Board Diagnosis Logic .....	786	DTC Confirmation Procedure .....	812	J
DTC Confirmation Procedure .....	786	Diagnosis Procedure .....	812	
Diagnosis Procedure .....	786	Component Inspection .....	814	
<b>P1217 ENGINE OVER TEMPERATURE</b> .....	<b>787</b>	<b>P1572 ASCD BRAKE SWITCH</b> .....	<b>816</b>	
On Board Diagnosis Logic .....	787	Component Description .....	816	K
Overall Function Check .....	787	On Board Diagnosis Logic .....	816	
Diagnosis Procedure .....	788	DTC Confirmation Procedure .....	816	L
Main 12 Causes of Overheating .....	789	Diagnosis Procedure .....	817	
<b>P1225 TP SENSOR</b> .....	<b>790</b>	Component Inspection .....	820	
Component Description .....	790	<b>P1574 ASCD VEHICLE SPEED SENSOR</b> ....	<b>821</b>	
On Board Diagnosis Logic .....	790	Component Description .....	821	M
DTC Confirmation Procedure .....	790	On Board Diagnosis Logic .....	821	
Diagnosis Procedure .....	790	DTC Confirmation Procedure .....	821	N
<b>P1226 TP SENSOR</b> .....	<b>792</b>	Diagnosis Procedure .....	821	
Component Description .....	792	<b>P1805 BRAKE SWITCH</b> .....	<b>823</b>	
On Board Diagnosis Logic .....	792	Description .....	823	O
DTC Confirmation Procedure .....	792	On Board Diagnosis Logic .....	823	
Diagnosis Procedure .....	792	DTC Confirmation Procedure .....	823	
<b>P1421 COLD START CONTROL</b> .....	<b>794</b>	Diagnosis Procedure .....	823	P
Description .....	794	Component Inspection .....	825	
On Board Diagnosis Logic .....	794	<b>P2100, P2103 THROTTLE CONTROL MO-</b>		
DTC Confirmation Procedure .....	794	<b>TOR RELAY</b> .....	<b>826</b>	
Diagnosis Procedure .....	794	Component Description .....	826	
<b>P1550 BATTERY CURRENT SENSOR</b> .....	<b>796</b>	On Board Diagnosis Logic .....	826	
Component Description .....	796	DTC Confirmation Procedure .....	826	
		Diagnosis Procedure .....	826	

<b>P2101 ELECTRIC THROTTLE CONTROL</b>	
<b>FUNCTION</b> .....	<b>829</b>
Description .....	829
On Board Diagnosis Logic .....	829
DTC Confirmation Procedure .....	829
Diagnosis Procedure .....	829
Component Inspection .....	832
<b>P2118 THROTTLE CONTROL MOTOR</b> .....	<b>833</b>
Component Description .....	833
On Board Diagnosis Logic .....	833
DTC Confirmation Procedure .....	833
Diagnosis Procedure .....	833
Component Inspection .....	834
<b>P2119 ELECTRIC THROTTLE CONTROL</b>	
<b>ACTUATOR</b> .....	<b>835</b>
Component Description .....	835
On Board Diagnosis Logic .....	835
DTC Confirmation Procedure .....	835
Diagnosis Procedure .....	836
<b>P2122, P2123 APP SENSOR</b> .....	<b>837</b>
Component Description .....	837
On Board Diagnosis Logic .....	837
DTC Confirmation Procedure .....	837
Diagnosis Procedure .....	837
Component Inspection .....	839
<b>P2127, P2128 APP SENSOR</b> .....	<b>840</b>
Component Description .....	840
On Board Diagnosis Logic .....	840
DTC Confirmation Procedure .....	840
Diagnosis Procedure .....	840
Component Inspection .....	843
<b>P2135 TP SENSOR</b> .....	<b>844</b>
Component Description .....	844
On Board Diagnosis Logic .....	844
DTC Confirmation Procedure .....	844
Diagnosis Procedure .....	844
Component Inspection .....	847
<b>P2138 APP SENSOR</b> .....	<b>848</b>
Component Description .....	848
On Board Diagnosis Logic .....	848
DTC Confirmation Procedure .....	848
Diagnosis Procedure .....	848
Component Inspection .....	851
<b>P2A00, P2A03 A/F SENSOR 1</b> .....	<b>852</b>
Component Description .....	852
On Board Diagnosis Logic .....	852
DTC Confirmation Procedure .....	852
Diagnosis Procedure .....	853
<b>ASCD BRAKE SWITCH</b> .....	<b>858</b>
Component Description .....	858
Diagnosis Procedure .....	858
Component Inspection .....	859
<b>ASCD INDICATOR</b> .....	<b>861</b>
Component Description .....	861
Diagnosis Procedure .....	861
<b>COOLING FAN</b> .....	<b>862</b>
Description .....	862
Diagnosis Procedure .....	862
Component Inspection .....	863
<b>ELECTRICAL LOAD SIGNAL</b> .....	<b>864</b>
Description .....	864
Diagnosis Procedure .....	864
<b>FUEL INJECTOR</b> .....	<b>866</b>
Component Description .....	866
Diagnosis Procedure .....	866
Component Inspection .....	867
<b>FUEL PUMP</b> .....	<b>869</b>
Description .....	869
Diagnosis Procedure .....	869
Component Inspection .....	871
<b>IGNITION SIGNAL</b> .....	<b>872</b>
Component Description .....	872
Diagnosis Procedure .....	872
Component Inspection .....	875
<b>ON BOARD REFUELING VAPOR RECOV- ERY (ORVR)</b> .....	<b>877</b>
System Description .....	877
Diagnosis Procedure .....	877
Component Inspection .....	880
<b>POSITIVE CRANKCASE VENTILATION</b> .....	<b>882</b>
Description .....	882
Component Inspection .....	882
<b>REFRIGERANT PRESSURE SENSOR</b> .....	<b>884</b>
Component Description .....	884
Diagnosis Procedure .....	884
<b>ECU DIAGNOSIS</b> .....	<b>887</b>
<b>ECM</b> .....	<b>887</b>
CONSULT-III Reference Value in Data Monitor	
Mode .....	887
ECM Harness Connector Terminal Layout .....	890
ECM Terminal and Reference Value .....	890
Wiring Diagram - ENGINE CONTROL SYSTEM - .....	899
Fail-Safe Chart .....	919
DTC Inspection Priority Chart .....	921
DTC Index .....	921
Emission-related Diagnostic Information .....	925
<b>SYMPTOM DIAGNOSIS</b> .....	<b>940</b>
<b>ENGINE CONTROL SYSTEM SYMPTOMS</b> ...	<b>940</b>
Symptom Matrix Chart .....	940
<b>NORMAL OPERATING CONDITION</b> .....	<b>944</b>



Fuel Cut Control (at No Load and High Engine Speed) .....	944
<b>PRECAUTION .....</b>	<b>945</b>
<b>PRECAUTIONS .....</b>	<b>945</b>
Precaution for Supplemental Restraint System (SRS) "AIR BAG" and "SEAT BELT PRE-TENSIONER" .....	945
On Board Diagnosis (OBD) System of Engine and A/T .....	945
Precaution .....	945
<b>PREPARATION .....</b>	<b>949</b>
<b>PREPARATION .....</b>	<b>949</b>
Special Service Tool .....	949
Commercial Service Tool .....	949
<b>ON-VEHICLE MAINTENANCE .....</b>	<b>951</b>
<b>FUEL PRESSURE .....</b>	<b>951</b>
Fuel Pressure Check .....	951
<b>EVAP LEAK CHECK .....</b>	<b>953</b>
How to Detect EVAP Leakage .....	953

<b>ON-VEHICLE REPAIR .....</b>	<b>955</b>
<b>EVAP CANISTER .....</b>	<b>955</b>
Component Inspection .....	955
Removal and Installation .....	955
<b>SERVICE DATA AND SPECIFICATIONS (SDS) .....</b>	<b>956</b>
<b>SERVICE DATA AND SPECIFICATIONS (SDS) .....</b>	<b>956</b>
Fuel Pressure .....	956
Idle Speed and Ignition Timing .....	956
Calculated Load Value .....	956
Mass Air Flow Sensor .....	956
Intake Air Temperature Sensor .....	956
Engine Coolant Temperature Sensor .....	956
A/F Sensor 1 Heater .....	956
Heated Oxygen sensor 2 Heater .....	957
Crankshaft Position Sensor (POS) .....	957
Camshaft Position Sensor (PHASE) .....	957
Throttle Control Motor .....	957
Fuel Injector .....	957
Fuel Pump .....	957

A  
EC  
C  
D  
E  
F  
G  
H  
I  
J  
K  
L  
M  
N  
O  
P

## BASIC INSPECTION

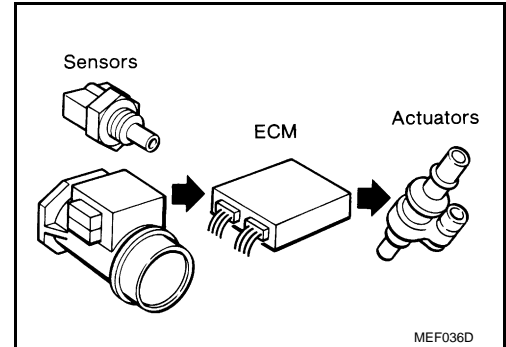
### DIAGNOSIS AND REPAIR WORKFLOW

#### Trouble Diagnosis Introduction

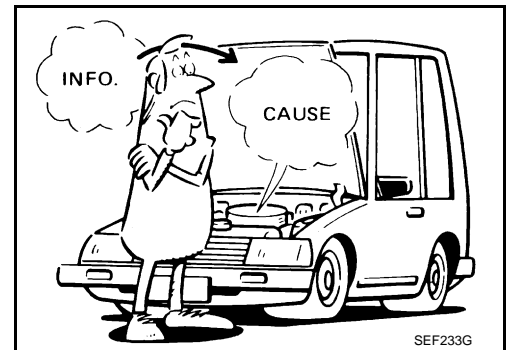
INFOID:000000004297234

#### INTRODUCTION

The engine has an ECM to control major systems such as fuel control, ignition control, idle air control system, etc. The ECM accepts input signals from sensors and instantly drives actuators. It is essential that both input and output signals are proper and stable. At the same time, it is important that there are no malfunctions such as vacuum leaks, fouled spark plugs, or other malfunctions with the engine.



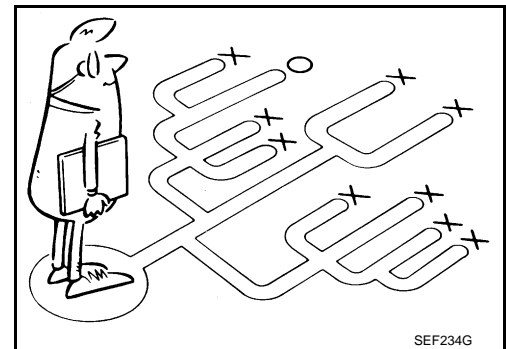
It is much more difficult to diagnose an incident that occurs intermittently rather than continuously. Most intermittent incidents are caused by poor electric connections or improper wiring. In this case, careful checking of suspected circuits may help prevent the replacement of good parts.



A visual check only may not find the cause of the incidents. A road test with CONSULT-III (or GST) or a circuit tester connected should be performed. Follow the Work Flow on "Work Flow".

Before undertaking actual checks, take a few minutes to talk with a customer who approaches with a driveability complaint. The customer can supply good information about such incidents, especially intermittent ones. Find out what symptoms are present and under what conditions they occur. A Diagnostic Worksheet like the example on "Worksheet Sample" should be used.

Start your diagnosis by looking for conventional malfunctions first. This will help troubleshoot driveability malfunctions on an electronically controlled engine vehicle.



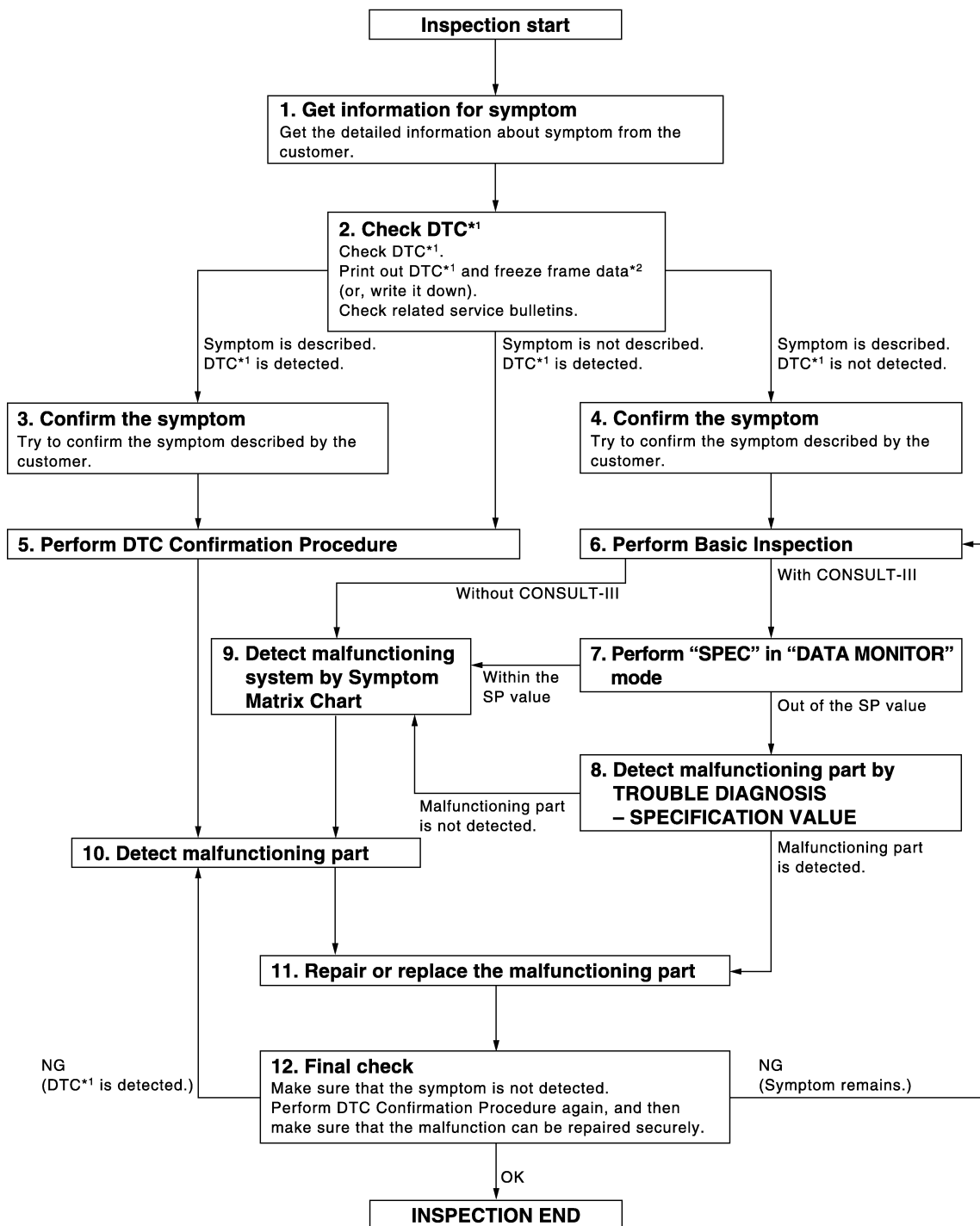
#### WORK FLOW

# DIAGNOSIS AND REPAIR WORKFLOW

< BASIC INSPECTION >

[VQ40DE]

Overall Sequence



\*1: Include 1st trip DTC.

\*2: Include 1st trip freeze frame data.

PBIB3637E

Detailed Flow

## 1. GET INFORMATION FOR SYMPTOM

Get the detailed information from the customer about the symptom (the condition and the environment when the incident/malfunction occurred) using the "DIAGNOSTIC WORKSHEET".

>> GO TO 2.

< BASIC INSPECTION >

## 2. CHECK DTC\*1

1. Check DTC\*1.
2. Perform the following procedure if DTC\*1 is displayed.
  - Record DTC\*1 and freeze frame data\*2. (Print them out with CONSULT-III or GST.)
  - Erase DTC\*1. (Refer to [EC-456, "DTC Index"](#).)
  - Study the relationship between the cause detected by DTC\*1 and the symptom described by the customer. (Symptom Matrix Chart is useful. Refer to [EC-473](#).)
3. Check related service bulletins for information.

Are any symptoms described and any DTCs detected?

Symptom is described, DTC\*1 is displayed>>GO TO 3.

Symptom is described, DTC\*1 is not displayed>>GO TO 4.

Symptom is not described, DTC\*1 is displayed>>GO TO 5.

## 3. CONFIRM THE SYMPTOM

Try to confirm the symptom described by the customer (except MIL ON).

DIAGNOSIS WORK SHEET is useful to verify the incident.

Connect CONSULT-III to the vehicle and check diagnosis results.

Verify relation between the symptom and the condition when the symptom is detected.

>> GO TO 5.

## 4. CONFIRM THE SYMPTOM

Try to confirm the symptom described by the customer.

DIAGNOSIS WORK SHEET is useful to verify the incident.

Connect CONSULT-III to the vehicle and check diagnosis results.

Verify relation between the symptom and the condition when the symptom is detected.

>> GO TO 6.

## 5. PERFORM DTC CONFIRMATION PROCEDURE

Perform DTC Confirmation Procedure for the displayed DTC\*1, and then make sure that DTC\*1 is detected again.

If two or more DTCs\*1 are detected, refer to [EC-455, "DTC Inspection Priority Chart"](#) and determine trouble diagnosis order.

**NOTE:**

- Freeze frame data\*2 is useful if the DTC\*1 is not detected.
- Perform Overall Function Check if DTC Confirmation Procedure is not included on Service Manual. This simplified check procedure is an effective alternative though DTC\*1 cannot be detected during this check. If the result of Overall Function Check is NG, it is the same as the detection of DTC\*1 by DTC Confirmation Procedure.

Is DTC\*1 detected?

Yes >> GO TO 10.

No >> Check according to [GI-45, "Work Flow"](#).

## 6. PERFORM BASIC INSPECTION

Perform [EC-20, "Basic Inspection"](#).

With CONSULT-III>>GO TO 7.

Without CONSULT-III>>GO TO 9.

## 7. PERFORM SPEC IN DATA MONITOR MODE

Ⓟ With CONSULT-III

Make sure that "MAS A/F SE-B1", "B/FUEL SCHDL", and "A/F ALPHA-B1", "A/F ALPHA-B2" are within the SP value using CONSULT-III "SPEC" in "DATA MONITOR" mode. Refer to [EC-84, "Description"](#).

# DIAGNOSIS AND REPAIR WORKFLOW

[VQ40DE]

< BASIC INSPECTION >

Are they within the SP value?

- Yes >> GO TO 9.
- No >> GO TO 8.

## 8. DETECT MALFUNCTIONING PART BY TROUBLE DIAGNOSIS - SPECIFICATION VALUE

Detect malfunctioning part according to [EC-84, "Diagnosis Procedure"](#).

Is a malfunctioning part detected?

- Yes >> GO TO 11.
- No >> GO TO 9.

## 9. DETECT MALFUNCTIONING SYSTEM BY SYMPTOM MATRIX CHART

Detect malfunctioning system according to [EC-473, "Symptom Matrix Chart"](#) based on the confirmed symptom in step 4, and determine the trouble diagnosis order based on possible causes and symptoms.

>> GO TO 10.

## 10. DETECT MALFUNCTIONING PART BY DIAGNOSTIC PROCEDURE

Inspect according to Diagnostic Procedure of the system.

### NOTE:

The Diagnostic Procedure in EC section described based on open circuit inspection. A short circuit inspection is also required for the circuit check in the Diagnostic Procedure. For details, refer to Circuit Inspection in [GI-45, "Work Flow"](#).

Is a malfunctioning part detected?

- Yes >> GO TO 11.
- No >> Monitor input data from related sensors or check voltage of related ECM terminals using CONSULT-III. Refer to [EC-421, "CONSULT-III Reference Value in Data Monitor Mode"](#), [EC-424, "ECM Terminal and Reference Value"](#).

## 11. REPAIR OR REPLACE THE MALFUNCTIONING PART

1. Repair or replace the malfunctioning part.
2. Reconnect parts or connectors disconnected during Diagnostic Procedure again after repair and replacement.
3. Check DTC. If DTC is displayed, erase it, refer to [EC-456, "DTC Index"](#).

>> GO TO 12.

## 12. FINAL CHECK

When DTC was detected in step 2, perform DTC Confirmation Procedure or Overall Function Check again, and then make sure that the malfunction have been completely repaired.

When symptom was described from the customer, refer to confirmed symptom in step 3 or 4, and make sure that the symptom is not detected.

OK or NG

NG (DTC\*<sup>1</sup> is detected)>>GO TO 10.

NG (Symptom remains)>>GO TO 6.

- OK >> 1. Before returning the vehicle to the customer, make sure to always erase unnecessary DTC\*<sup>1</sup> in ECM and TCM (Transmission Control Module). (Refer to [EC-459, "Emission-related Diagnostic Information"](#) and [TM-34, "OBD-II Diagnostic Trouble Code \(DTC\)"](#).)
- 2. If the completion of SRT is needed, drive vehicle under the specific driving pattern. Refer to [EC-456, "DTC Index"](#).
- 3. **INSPECTION END**

\*1: Include 1st trip DTC.

\*2: Include 1st trip freeze frame data.

## DIAGNOSTIC WORKSHEET

Description

# DIAGNOSIS AND REPAIR WORKFLOW

[VQ40DE]

## < BASIC INSPECTION >

There are many operating conditions that lead to the malfunction of engine components. A good grasp of such conditions can make troubleshooting faster and more accurate.

In general, each customer feels differently about symptoms. It is important to fully understand the symptoms or conditions for a customer complaint.

Utilize a diagnostic worksheet like the one on the next page in order to organize all the information for troubleshooting.

Some conditions may cause the MIL to illuminate or blink and DTC to be detected. Examples:

- Vehicle ran out of fuel, which caused the engine to misfire.
- Fuel filler cap was left off or incorrectly screwed on, allowing fuel to evaporate into the atmosphere.

### KEY POINTS

**WHAT** ..... Vehicle & engine model  
**WHEN** ..... Date, Frequencies  
**WHERE**..... Road conditions  
**HOW** ..... Operating conditions,  
Weather conditions,  
Symptoms

SEF907L



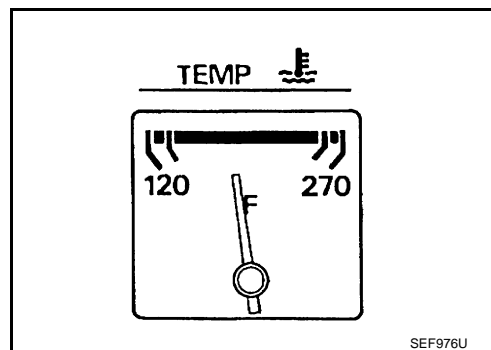
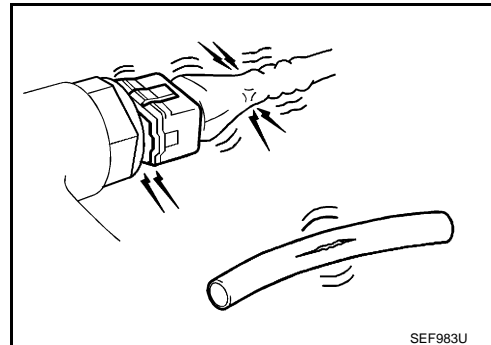
## INSPECTION AND ADJUSTMENT

### Basic Inspection

INFOID:000000004297235

#### 1. INSPECTION START

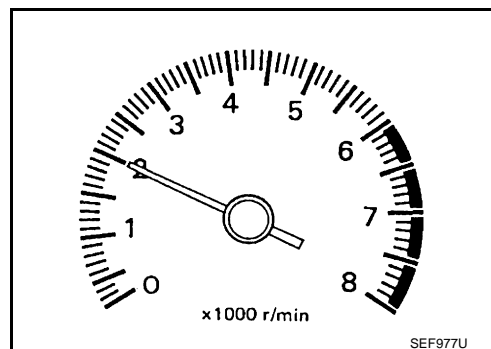
1. Check service records for any recent repairs that may indicate a related malfunction, or a current need for scheduled maintenance.
2. Open engine hood and check the following:
  - Harness connectors for improper connections
  - Wiring harness for improper connections, pinches and cut
  - Vacuum hoses for splits, kinks and improper connections
  - Hoses and ducts for leakage
  - Air cleaner clogging
  - Gasket
3. Check that electrical or mechanical loads are not applied.
  - Headlamp switch is OFF.
  - Air conditioner switch is OFF.
  - Rear window defogger switch is OFF.
  - Steering wheel is in the straight-ahead position, etc.
4. Start engine and warm it up until engine coolant temperature indicator points to the middle of gauge. Ensure engine stays below 1,000 rpm.



5. Run engine at about 2,000 rpm for about 2 minutes under no load.
6. Make sure that no DTC is displayed with CONSULT-III or GST.

#### OK or NG

- OK >> GO TO 3.  
 NG >> GO TO 2.



#### 2. REPAIR OR REPLACE

Repair or replace components as necessary according to corresponding Diagnostic Procedure.

>> GO TO 3.

#### 3. CHECK TARGET IDLE SPEED

##### Ⓟ With CONSULT-III

1. Run engine at about 2,000 rpm for about 2 minutes under no load.

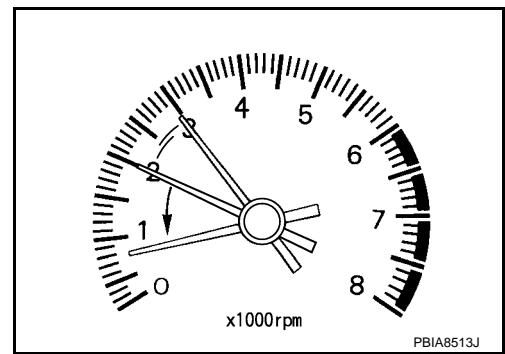


# INSPECTION AND ADJUSTMENT

[VQ40DE]

## < BASIC INSPECTION >

- Rev engine (2,000 to 3,000 rpm) two or three times under no load, then run engine at idle speed for about 1 minute.



- Read idle speed in "DATA MONITOR" mode with CONSULT-III.  
Refer to [EC-24. "Idle Speed and Ignition Timing Check"](#).

**625 ± 50 rpm (in P or N position)**

### ⊗ Without CONSULT-III

- Run engine at about 2,000 rpm for about 2 minutes under no load.
- Rev engine (2,000 to 3,000 rpm) two or three times under no load, then run engine at idle speed for about 1 minute.
- Check idle speed. Refer to [EC-24. "Idle Speed and Ignition Timing Check"](#).

**625 ± 50 rpm (in P or N position)**

### OK or NG

- OK >> GO TO 10.
- NG >> GO TO 4.

## 4.PERFORM ACCELERATOR PEDAL RELEASED POSITION LEARNING

- Stop engine.
- Perform [EC-25. "Accelerator Pedal Released Position Learning"](#).

>> GO TO 5.

## 5.PERFORM THROTTLE VALVE CLOSED POSITION LEARNING

Perform [EC-25. "Throttle Valve Closed Position Learning"](#).

>> GO TO 6.

## 6.PERFORM IDLE AIR VOLUME LEARNING

Refer to [EC-25. "Idle Air Volume Learning"](#).

**Is Idle Air Volume Learning carried out successfully?**

**Yes or No**

- Yes >> GO TO 7.
- No >> 1. Follow the instruction of Idle Air Volume Learning.  
2. GO TO 4.

## 7.CHECK TARGET IDLE SPEED AGAIN

### Ⓜ With CONSULT-III

- Start engine and warm it up to normal operating temperature.
- Read idle speed in "DATA MONITOR" mode with CONSULT-III.  
Refer to [EC-24. "Idle Speed and Ignition Timing Check"](#).

**625 ± 50 rpm (in P or N position)**

### ⊗ Without CONSULT-III

- Start engine and warm it up to normal operating temperature.

< BASIC INSPECTION >

2. Check idle speed.  
Refer to [EC-24, "Idle Speed and Ignition Timing Check"](#).

**625 ± 50 rpm (in P or N position)**

OK or NG

- OK >> GO TO 10.
- NG >> GO TO 8.

## 8. DETECT MALFUNCTIONING PART

Check the following.

- Check camshaft position sensor (PHASE) and circuit. Refer to [EC-218, "Diagnosis Procedure"](#).
- Check crankshaft position sensor (POS) and circuit. Refer to [EC-213, "Diagnosis Procedure"](#).

OK or NG

- OK >> GO TO 9.
- NG >> 1. Repair or replace.  
2. GO TO 4.

## 9. CHECK ECM FUNCTION

1. Substitute with a non-malfunctioning ECM to check ECM function. (ECM may be the cause of the incident, although this is rare.)
2. Perform initialization of NVIS (NATS) system and registration of all NVIS (NATS) ignition key IDs. Refer to [SEC-8, "ADDITIONAL SERVICE WHEN REPLACING CONTROL UNIT : Special Repair Requirement"](#) (with Intelligent Key system) or [SEC-124, "ADDITIONAL SERVICE WHEN REPLACING CONTROL UNIT : Special Repair Requirement"](#) (without Intelligent Key system).

>> GO TO 4.

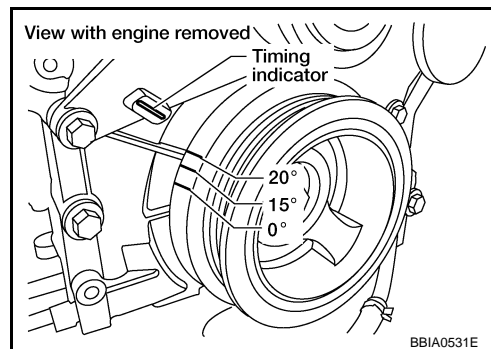
## 10. CHECK IGNITION TIMING

1. Run engine at idle.
2. Check ignition timing with a timing light.  
Refer to [EC-24, "Idle Speed and Ignition Timing Check"](#).

**15 ± 5° BTDC (in P or N position)**

OK or NG

- OK >> GO TO 19.
- NG >> GO TO 11.



## 11. PERFORM ACCELERATOR PEDAL RELEASED POSITION LEARNING

1. Stop engine.
2. Perform [EC-25, "Accelerator Pedal Released Position Learning"](#).

>> GO TO 12.

## 12. PERFORM THROTTLE VALVE CLOSED POSITION LEARNING

Perform [EC-25, "Throttle Valve Closed Position Learning"](#).

>> GO TO 13.

## 13. PERFORM IDLE AIR VOLUME LEARNING

Refer to [EC-25, "Idle Air Volume Learning"](#).

**Is Idle Air Volume Learning carried out successfully?**

Yes or No

# INSPECTION AND ADJUSTMENT

[VQ40DE]

## < BASIC INSPECTION >

- Yes >> GO TO 14.  
No >> 1. Follow the instruction of Idle Air Volume Learning.  
2. GO TO 4.

## 14. CHECK TARGET IDLE SPEED AGAIN

### ④ With CONSULT-III

1. Start engine and warm it up to normal operating temperature.
2. Read idle speed in "DATA MONITOR" mode with CONSULT-III.  
Refer to [EC-24, "Idle Speed and Ignition Timing Check"](#).

**625 ± 50 rpm (in P or N position)**

### ⊗ Without CONSULT-III

1. Start engine and warm it up to normal operating temperature.
2. Check idle speed. Refer to [EC-24, "Idle Speed and Ignition Timing Check"](#).

**625 ± 50 rpm (in P or N position)**

### OK or NG

- OK >> GO TO 15.  
NG >> GO TO 17.

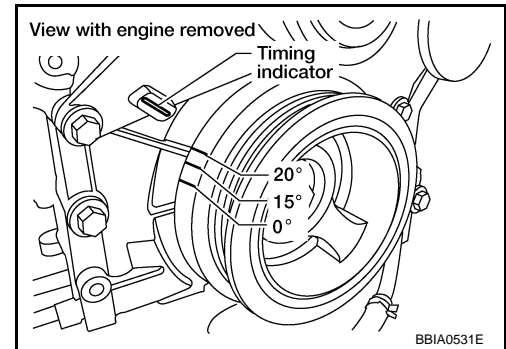
## 15. CHECK IGNITION TIMING AGAIN

1. Run engine at idle.
2. Check ignition timing with a timing light.  
Refer to [EC-24, "Idle Speed and Ignition Timing Check"](#).

**15 ± 5° BTDC (in P or N position)**

### OK or NG

- OK >> GO TO 19.  
NG >> GO TO 16.



## 16. CHECK TIMING CHAIN INSTALLATION

Check timing chain installation. Refer to [EM-61, "Removal and Installation"](#).

### OK or NG

- OK >> GO TO 17.  
NG >> 1. Repair the timing chain installation.  
2. GO TO 4.

## 17. DETECT MALFUNCTIONING PART

Check the following.

- Check camshaft position sensor (PHASE) and circuit. Refer to [EC-218, "Diagnosis Procedure"](#).
- Check crankshaft position sensor (POS) and circuit. Refer to [EC-213, "Diagnosis Procedure"](#).

### OK or NG

- OK >> GO TO 18.  
NG >> 1. Repair or replace.  
2. GO TO 4.

## 18. CHECK ECM FUNCTION

1. Substitute with a non-malfunctioning ECM to check ECM function. (ECM may be the cause of the incident, although this is rare.)
2. Perform initialization of NVIS (NATS) system and registration of all NVIS (NATS) ignition key IDs. Refer to [SEC-8, "ADDITIONAL SERVICE WHEN REPLACING CONTROL UNIT : Special Repair Requirement"](#) (with Intelligent Key system) or [SEC-124, "ADDITIONAL SERVICE WHEN REPLACING CONTROL UNIT : Special Repair Requirement"](#) (without Intelligent Key system).

>> GO TO 4.

## 19. INSPECTION END

Did you replace the ECM, referring this Basic Inspection Procedure?

Yes or No

Yes >> 1. Perform [EC-25, "VIN Registration"](#).  
2. **INSPECTION END**

No >> **INSPECTION END**

## Idle Speed and Ignition Timing Check

INFOID:000000004297236

### IDLE SPEED

 With CONSULT-III

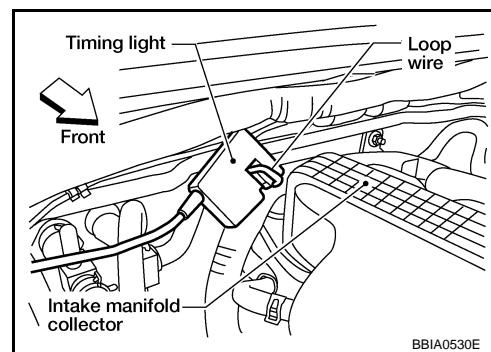
Check idle speed in "DATA MONITOR" mode with CONSULT-III.

 With GST

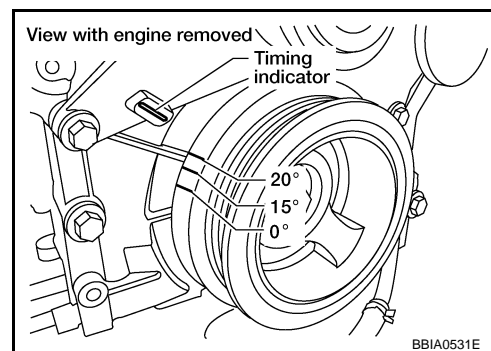
Check idle speed with GST.

### IGNITION TIMING

1. Attach timing light to loop wire as shown.



2. Check ignition timing.



## Procedure After Replacing ECM

INFOID:000000004297237

When replacing ECM, the following procedure must be performed.

1. Perform initialization of NVIS (NATS) system and registration of all NVIS (NATS) ignition key IDs. Refer to [SEC-8, "ADDITIONAL SERVICE WHEN REPLACING CONTROL UNIT : Special Repair Requirement"](#) (with Intelligent Key system) or [SEC-124, "ADDITIONAL SERVICE WHEN REPLACING CONTROL UNIT : Special Repair Requirement"](#) (without Intelligent Key system).
2. Perform [EC-25, "VIN Registration"](#).
3. Perform [EC-25, "Accelerator Pedal Released Position Learning"](#).
4. Perform [EC-25, "Throttle Valve Closed Position Learning"](#).
5. Perform [EC-25, "Idle Air Volume Learning"](#).

## VIN Registration

INFOID:000000004297238

## DESCRIPTION

VIN Registration is an operation to register VIN in ECM. It must be performed each time ECM is replaced.

**NOTE:**

Accurate VIN which is registered in ECM may be required for Inspection & Maintenance (I/M).

## OPERATION PROCEDURE

④ With CONSULT-III

1. Check the VIN of the vehicle and note it. Refer to [GI-33, "Identification Number"](#).
2. Turn ignition switch ON with engine stopped.
3. Select "VIN REGISTRATION" in "WORK SUPPORT" mode.
4. Follow the instruction on the CONSULT-III display.

## Accelerator Pedal Released Position Learning

INFOID:000000004297239

## DESCRIPTION

Accelerator Pedal Released Position Learning is an operation to learn the fully released position of the accelerator pedal by monitoring the accelerator pedal position sensor output signal. It must be performed each time the harness connector of the accelerator pedal position sensor or ECM is disconnected.

## OPERATION PROCEDURE

1. Make sure that accelerator pedal is fully released.
2. Turn ignition switch ON and wait at least 2 seconds.
3. Turn ignition switch OFF and wait at least 10 seconds.
4. Turn ignition switch ON and wait at least 2 seconds.
5. Turn ignition switch OFF and wait at least 10 seconds.

## Throttle Valve Closed Position Learning

INFOID:000000004297240

## DESCRIPTION

Throttle Valve Closed Position Learning is an operation to learn the fully closed position of the throttle valve by monitoring the throttle position sensor output signal. It must be performed each time the harness connector of electric throttle control actuator or ECM is disconnected.

## OPERATION PROCEDURE

1. Check that accelerator pedal is fully released.
2. Turn ignition switch ON.
3. Turn ignition switch OFF and wait at least 10 seconds.  
Make sure that throttle valve moves during the above 10 seconds by confirming the operating sound.

## Idle Air Volume Learning

INFOID:000000004297241

## DESCRIPTION

Idle Air Volume Learning is an operation to learn the idle air volume that keeps each engine within the specific range. It must be performed under the following conditions:

- Each time electric throttle control actuator or ECM is replaced.
- Idle speed or ignition timing is out of specification.

## PREPARATION

Before performing Idle Air Volume Learning, make sure that all of the following conditions are satisfied. Learning will be cancelled if any of the following conditions are missed for even a moment.

- Battery voltage: More than 12.9 V (At idle)
- Engine coolant temperature: 70 - 100°C (158 - 212°F)
- PNP switch: ON
- Electric load switch: OFF  
(Air conditioner, headlamp, rear window defogger)

# INSPECTION AND ADJUSTMENT

[VQ40DE]

## < BASIC INSPECTION >

**On vehicles equipped with daytime light systems, if the parking brake is applied before the engine is started the headlamp will not illuminate.**

- Steering wheel: Neutral (Straight-ahead position)
- Vehicle speed: Stopped
- Transmission: Warmed-up
- With CONSULT-III: Drive vehicle until "ATF TEMP SE" in "DATA MONITOR" mode of "A/T" system indicates less than 0.9 V.
- Without CONSULT-III: Drive vehicle for 10 minutes.

## OPERATION PROCEDURE

④ With CONSULT-III

1. Perform [EC-25, "Accelerator Pedal Released Position Learning"](#).
2. Perform [EC-25, "Throttle Valve Closed Position Learning"](#).
3. Start engine and warm it up to normal operating temperature.
4. Check that all items listed under the topic PREPARATION (previously mentioned) are in good order.
5. Select "IDLE AIR VOL LEARN" in "WORK SUPPORT" mode.
6. Touch "START" and wait 20 seconds.
7. Check that "CMPLT" is displayed on CONSULT-III screen. If "CMPLT" is not displayed, Idle Air Volume Learning will not be carried out successfully. In this case, find the cause of the incident by referring to the Diagnostic Procedure below.
8. Rev up the engine two or three times and make sure that idle speed and ignition timing are within the specifications.

ITEM	SPECIFICATION
Idle speed	625 ± 50 rpm (in P or N position)
Ignition timing	15 ± 5° BTDC (in P or N position)

⊗ Without CONSULT-III

### NOTE:

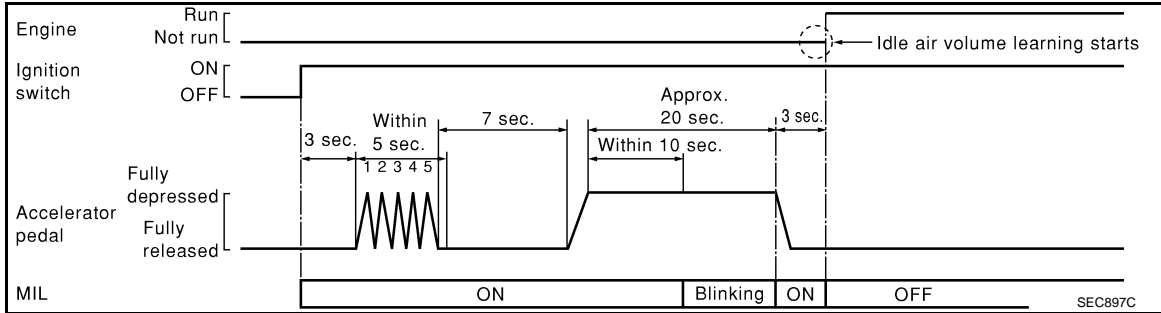
- **It is better to count the time accurately with a clock.**
  - **It is impossible to switch the diagnostic mode when an accelerator pedal position sensor circuit has a malfunction.**
1. Perform [EC-25, "Accelerator Pedal Released Position Learning"](#).
  2. Perform [EC-25, "Throttle Valve Closed Position Learning"](#).
  3. Start engine and warm it up to normal operating temperature.
  4. Check that all items listed under the topic PREPARATION (previously mentioned) are in good order.
  5. Turn ignition switch OFF and wait at least 10 seconds.
  6. Confirm that accelerator pedal is fully released, then turn ignition switch ON and wait 3 seconds.
  7. Repeat the following procedure quickly five times within 5 seconds.
    - a. Fully depress the accelerator pedal.
    - b. Fully release the accelerator pedal.
  8. Wait 7 seconds, fully depress the accelerator pedal it for approx. 20 seconds until the MIL stops blinking and turns ON.
  9. Fully release the accelerator pedal within 3 seconds after the MIL turns ON.
  10. Start engine and let it idle.

# INSPECTION AND ADJUSTMENT

< BASIC INSPECTION >

[VQ40DE]

11. Wait 20 seconds.



12. Rev up the engine two or three times and make sure that idle speed and ignition timing are within the specifications.

ITEM	SPECIFICATION
Idle speed	625 ± 50 rpm (in P or N position)
Ignition timing	15 ± 5° BTDC (in P or N position)

13. If idle speed and ignition timing are not within the specification, Idle Air Volume Learning will not be carried out successfully. In this case, find the cause of the incident by referring to the DIAGNOSTIC PROCEDURE below.

### DIAGNOSTIC PROCEDURE

**If idle air volume learning cannot be performed successfully, proceed as follows:**

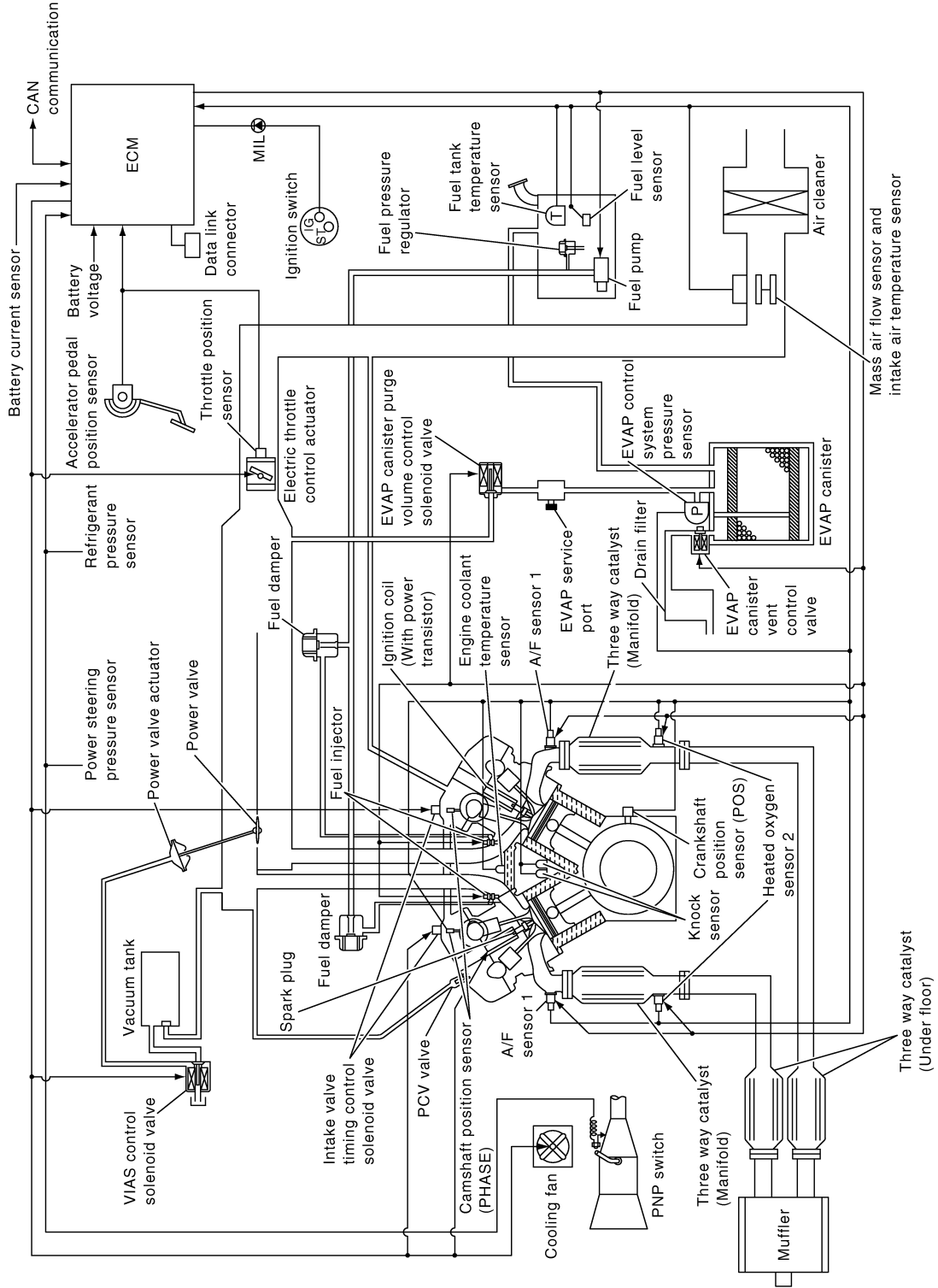
1. Check that throttle valve is fully closed.
2. Check PCV valve operation.
3. Check that downstream of throttle valve is free from air leakage.
4. When the above three items check out OK, engine component parts and their installation condition are questionable. Check and eliminate the cause of the incident.  
It is useful to perform "TROUBLE DIAGNOSIS - SPECIFICATION VALUE". Refer to [EC-84](#).
5. If any of the following conditions occur after the engine has started, eliminate the cause of the incident and perform Idle Air Volume Learning again:
  - Engine stalls.
  - Incorrect idle.

FUNCTION DIAGNOSIS

ENGINE CONTROL SYSTEM

System Diagram

INFOID:000000004297242



JMBIA0741GB



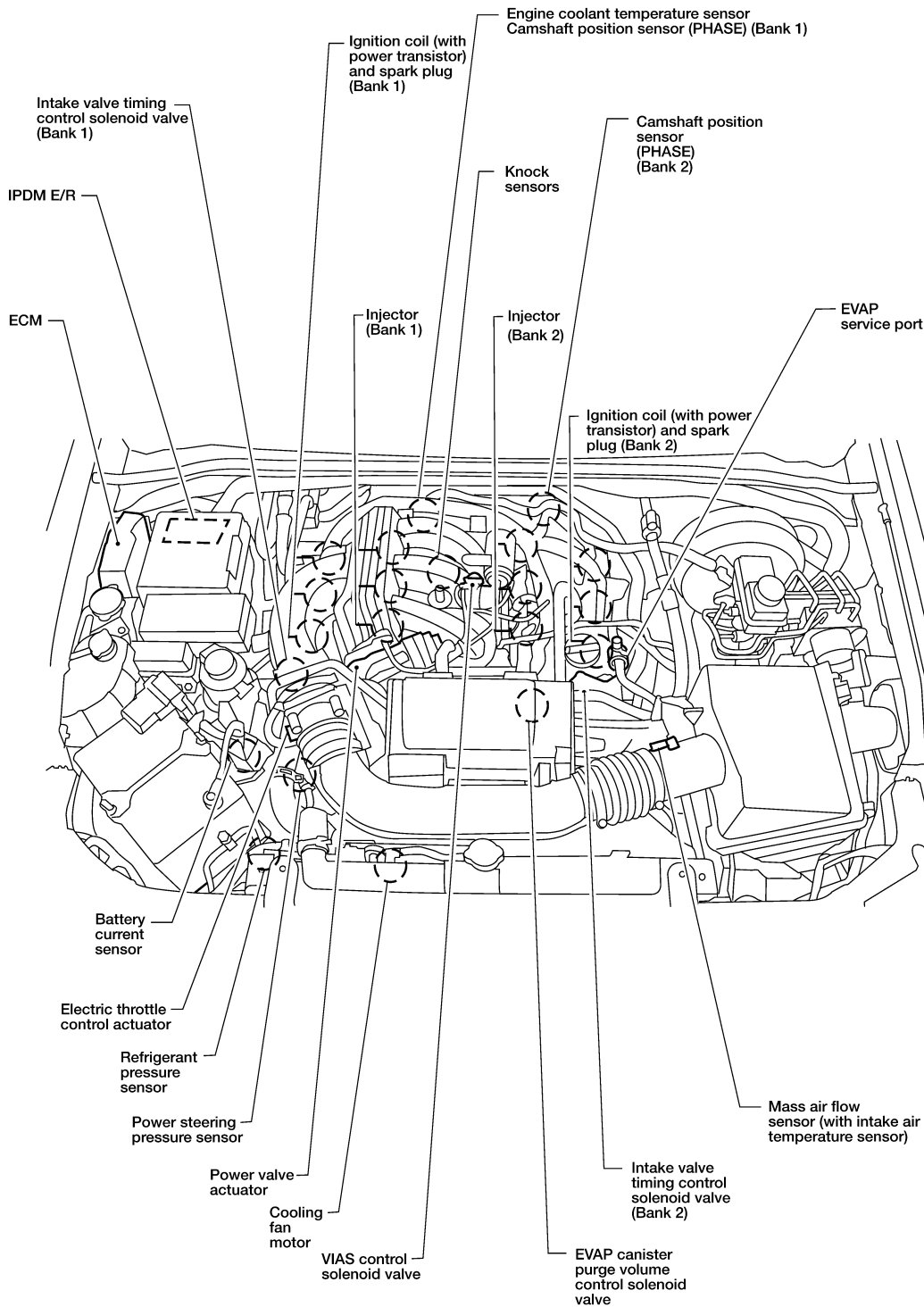
# ENGINE CONTROL SYSTEM

< FUNCTION DIAGNOSIS >

[VQ40DE]

## Engine Control Component Parts Location

INFOID:000000004297243



A

EC

C

D

E

F

G

H

I

J

K

L

M

N

O

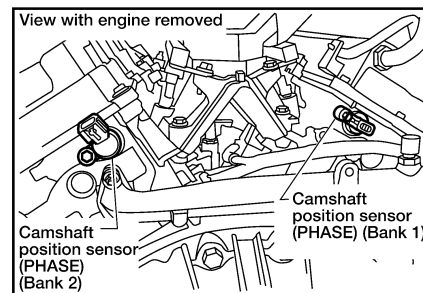
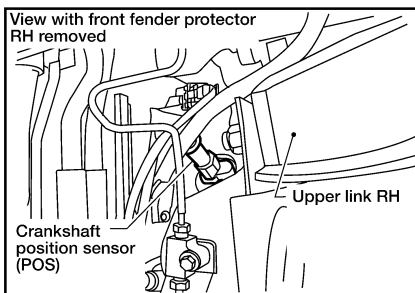
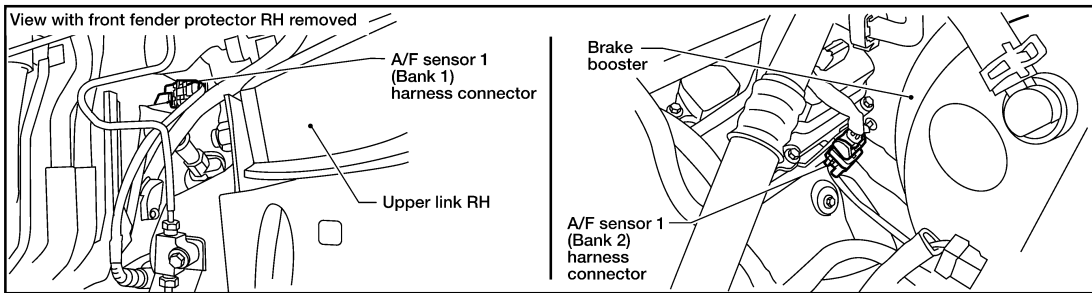
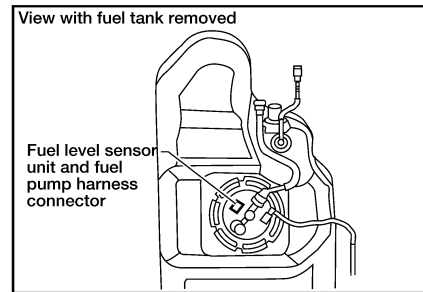
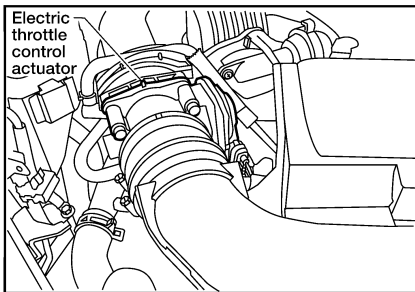
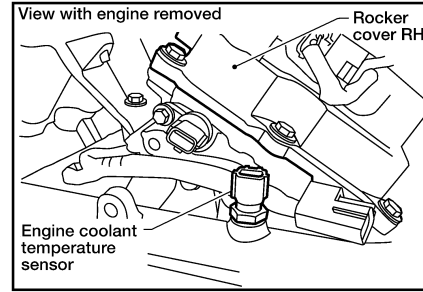
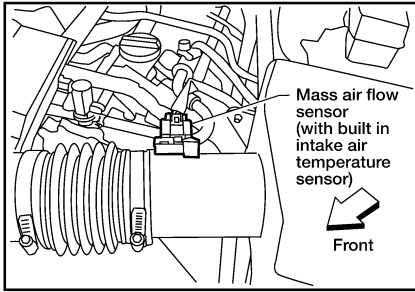
P

BBIA0536E

# ENGINE CONTROL SYSTEM

< FUNCTION DIAGNOSIS >

[VQ40DE]

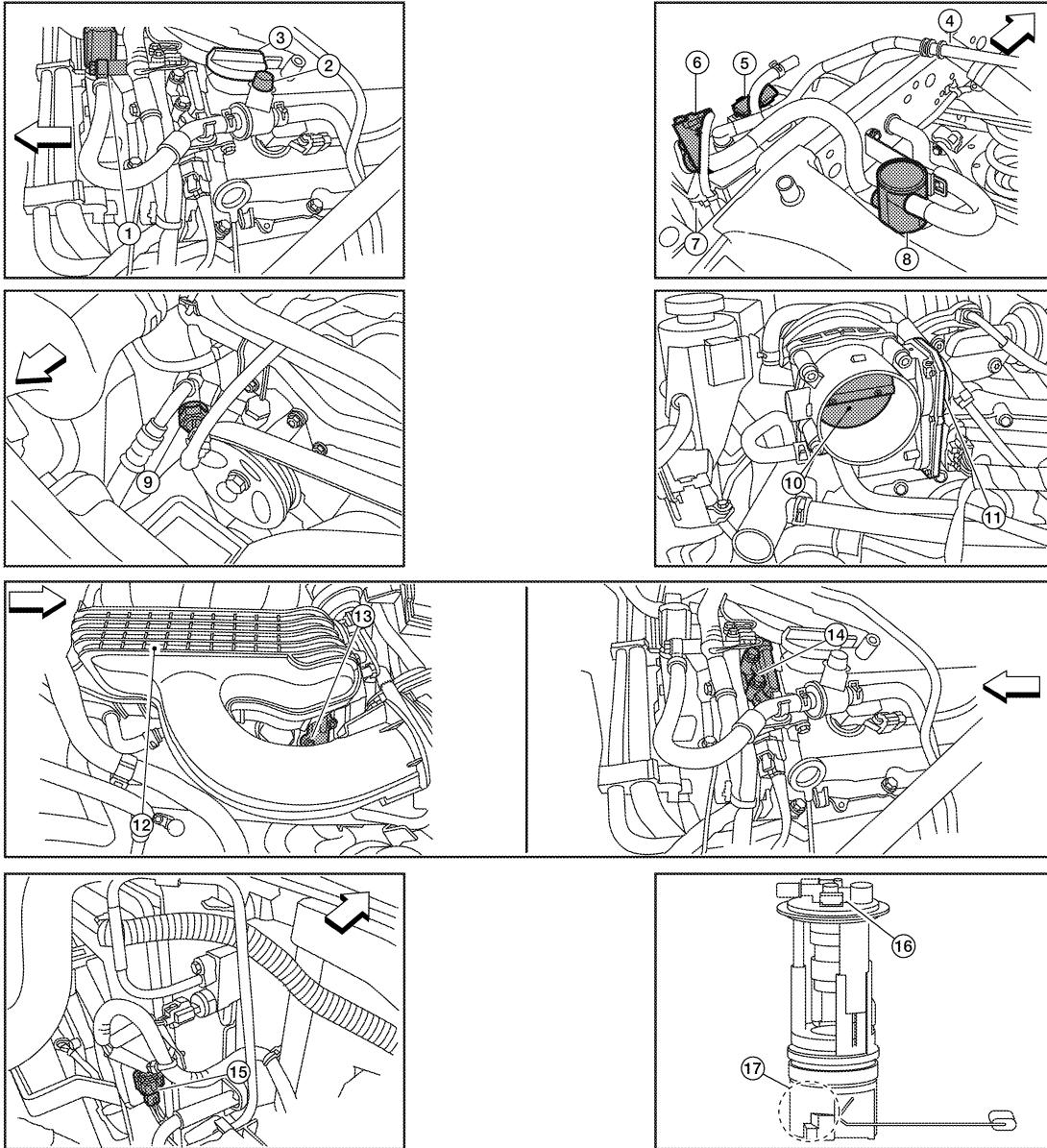


B8IA0578E

# ENGINE CONTROL SYSTEM

< FUNCTION DIAGNOSIS >

[VQ40DE]



AWBIA0135ZZ

- |   |  |   |
|---|--|---|
| 1. EVAP canister purge volume control solenoid valve (view with engine cover removed) | 2. EVAP service port   | 3. Oil filler cap   |
| 4. Fuel filler pipe (top of frame view)   | 5. EVAP control system pressure sensor   | 6. EVAP canister vent control valve                                 |
| 7. EVAP canister  | 8. Drain filter  | 9. Power steering pressure sensor                                   |
| 10. Throttle valve (view with intake air duct removed)                                | 11. Electric throttle control actuator   | 12. Intake manifold collector                                       |
| 13. Intake valve timing control solenoid valve (bank 1)                               | 14. Intake valve timing control solenoid valve (bank 2) (view with engine cover and intake air duct removed) | 15. Cooling fan motor harness connector (view with battery removed) |
| 16. Fuel pump, fuel level sensor unit and fuel filter                                 | 17. Fuel pressure regulator  |   |

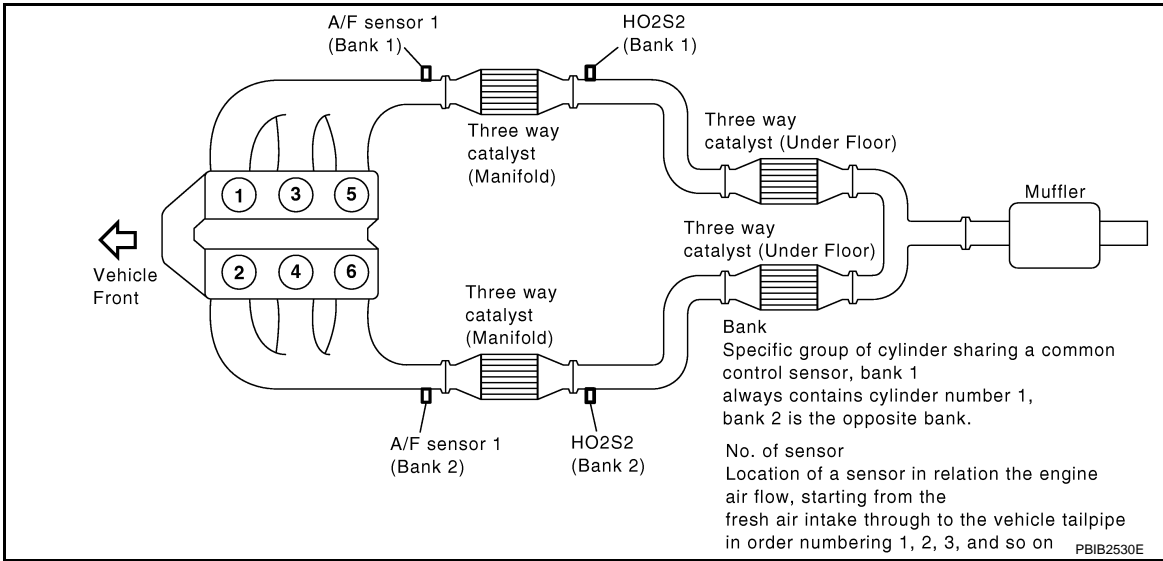
← : Front

A  
EC  
C  
D  
E  
F  
G  
H  
I  
J  
K  
L  
M  
N  
O  
P

# ENGINE CONTROL SYSTEM

< FUNCTION DIAGNOSIS >

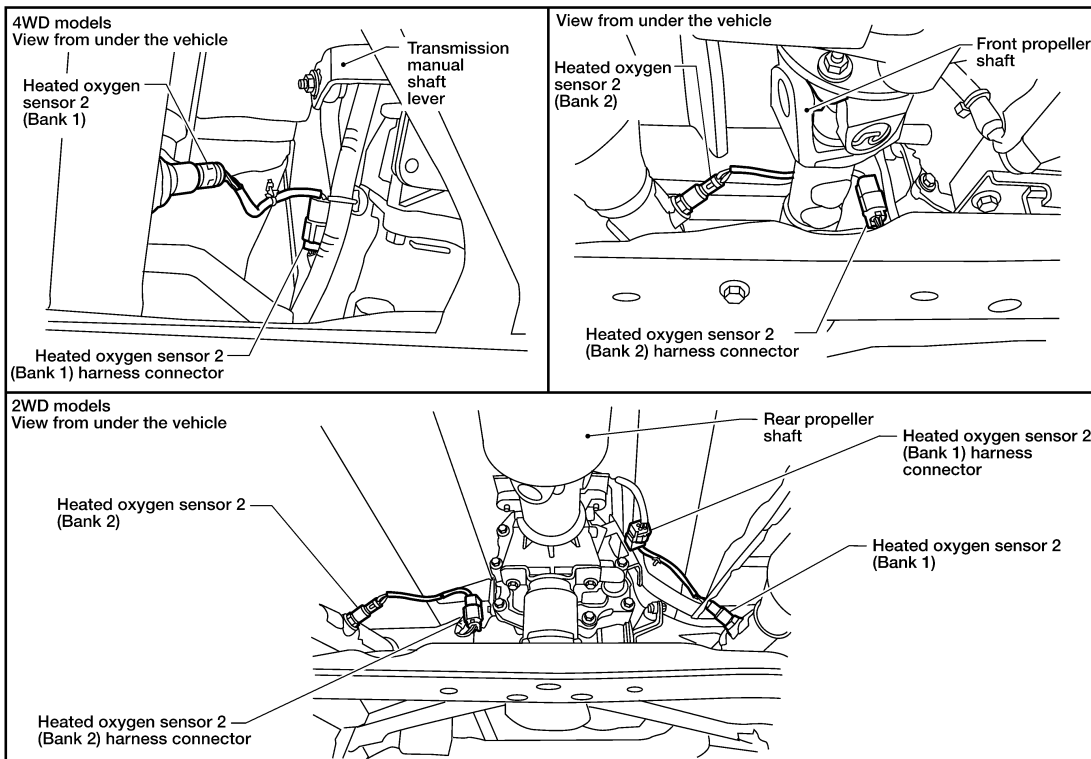
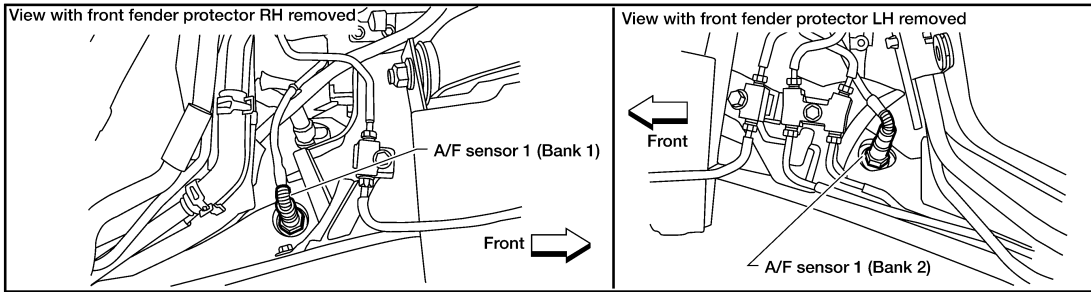
[VQ40DE]



# ENGINE CONTROL SYSTEM

< FUNCTION DIAGNOSIS >

[VQ40DE]



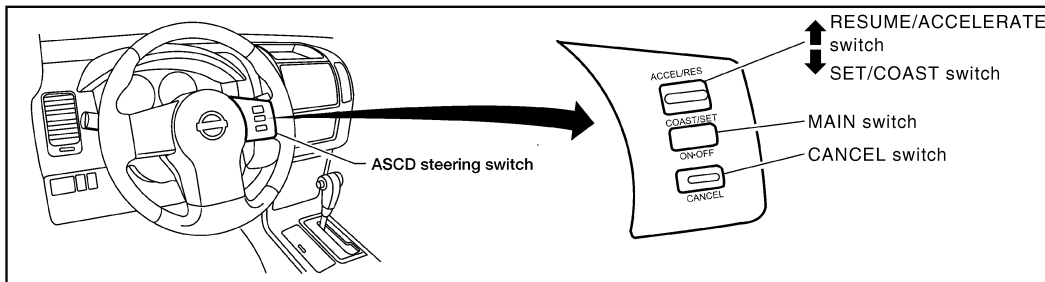
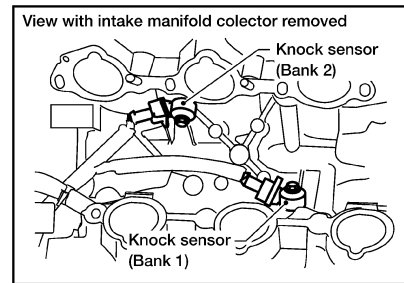
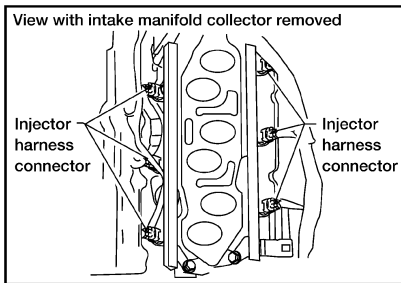
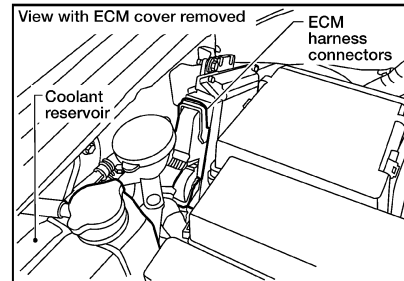
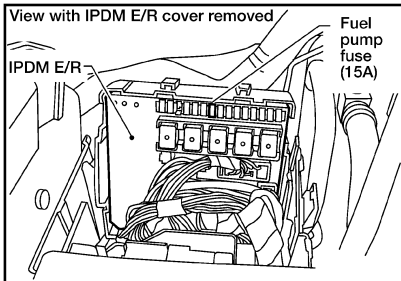
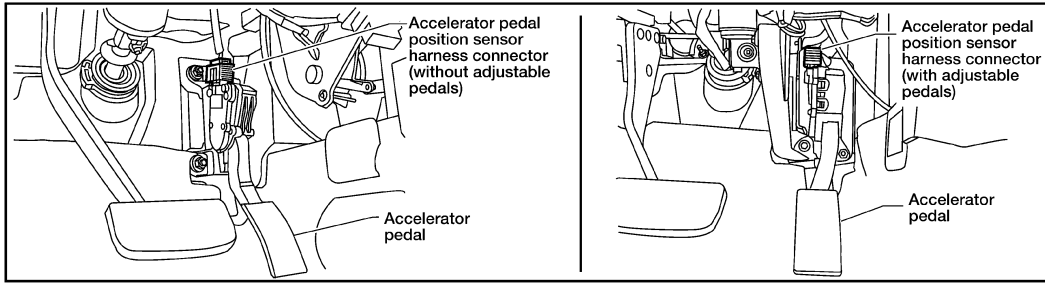
B8IA0577E

A  
EC  
C  
D  
E  
F  
G  
H  
I  
J  
K  
L  
M  
N  
O  
P

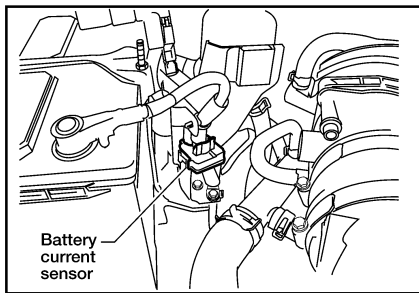
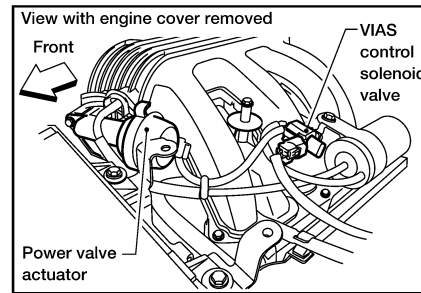
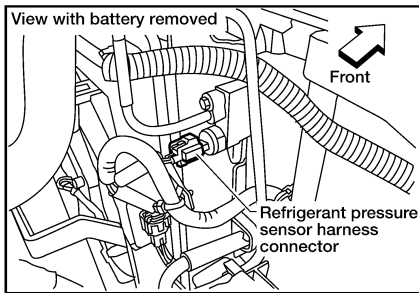
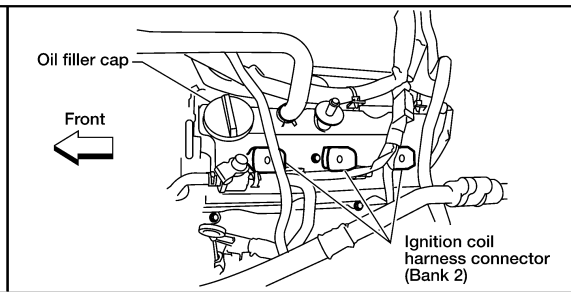
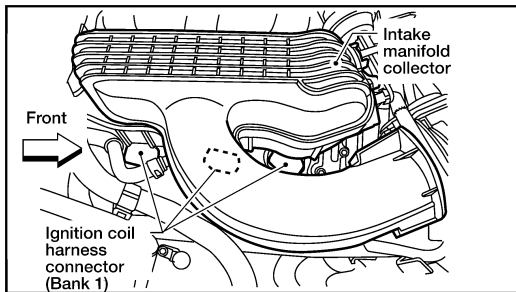
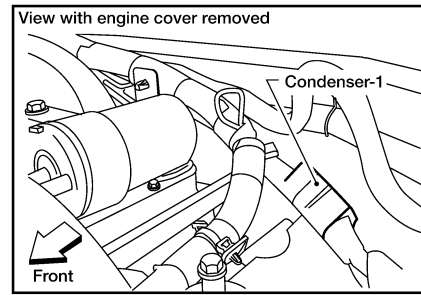
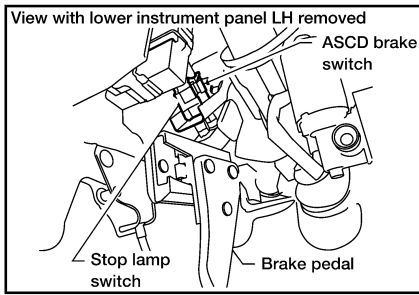
# ENGINE CONTROL SYSTEM

< FUNCTION DIAGNOSIS >

[VQ40DE]



PBIB2646E



A  
EC  
C  
D  
E  
F  
G  
H  
I  
J  
K  
L  
M  
N  
O  
P

BBI A0581E

# MULTIPOINT FUEL INJECTION SYSTEM

< FUNCTION DIAGNOSIS >

[VQ40DE]

## MULTIPOINT FUEL INJECTION SYSTEM

### System Description

INFOID:000000004297244

### INPUT/OUTPUT SIGNAL CHART

Sensor	Input Signal to ECM	ECM function	Actuator
Crankshaft position sensor (POS)	Engine speed*3	Fuel injection & mixture ratio control	Fuel injector
Camshaft position sensor (PHASE)	Piston position		
Mass air flow sensor	Amount of intake air		
Engine coolant temperature sensor	Engine coolant temperature		
Air fuel ratio (A/F) sensor 1	Density of oxygen in exhaust gas		
Throttle position sensor	Throttle position		
Accelerator pedal position sensor	Accelerator pedal position		
Park/neutral position (PNP) switch	Gear position		
Knock sensor	Engine knocking condition		
Battery	Battery voltage*3		
Power steering pressure sensor	Power steering operation		
Heated oxygen sensor 2*1	Density of oxygen in exhaust gas		
Air conditioner switch	Air conditioner operation*2		
Wheel sensor	Vehicle speed*2		

\*1: This sensor is not used to control the engine system under normal conditions.

\*2: This signal is sent to the ECM via the CAN communication line.

\*3: ECM determines the start signal status by the signals of engine speed and battery voltage.

### SYSTEM DESCRIPTION

The amount of fuel injected from the fuel injector is determined by the ECM. The ECM controls the length of time the valve remains open (injection pulse duration). The amount of fuel injected is a program value in the ECM memory. The program value is preset by engine operating conditions. These conditions are determined by input signals (for engine speed and intake air) from both the crankshaft position sensor and the mass air flow sensor.

### VARIOUS FUEL INJECTION INCREASE/DECREASE COMPENSATION

In addition, the amount of fuel injected is compensated to improve engine performance under various operating conditions as listed below.

<Fuel increase>

- During warm-up
- When starting the engine
- During acceleration
- Hot-engine operation
- When selector lever is changed from N to D
- High-load, high-speed operation

<Fuel decrease>

- During deceleration
- During high engine speed operation

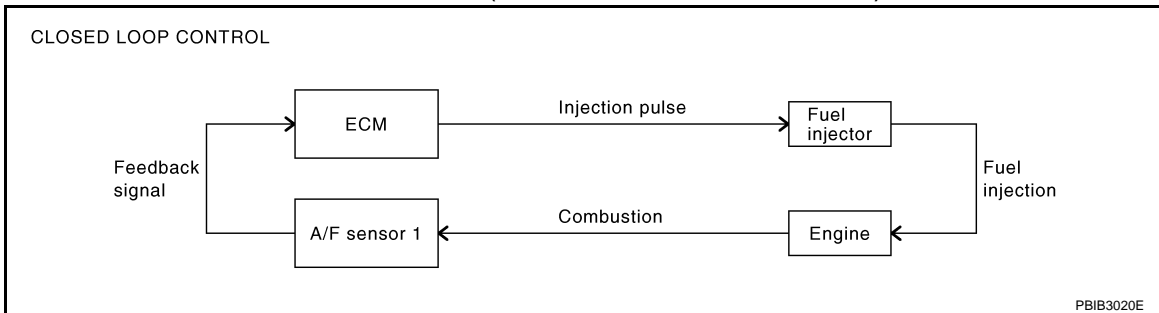


# MULTIPOINT FUEL INJECTION SYSTEM

< FUNCTION DIAGNOSIS >

[VQ40DE]

## MIXTURE RATIO FEEDBACK CONTROL (CLOSED LOOP CONTROL)



The mixture ratio feedback system provides the best air-fuel mixture ratio for driveability and emission control. The three way catalyst (manifold) can better reduce CO, HC and NOx emissions. This system uses air fuel ratio (A/F) sensor 1 in the exhaust manifold to monitor whether the engine operation is rich or lean. The ECM adjusts the injection pulse width according to the sensor voltage signal. For more information about air fuel ratio (A/F) sensor 1, refer to [EC-144](#). This maintains the mixture ratio within the range of stoichiometric (ideal air-fuel mixture).

This stage is referred to as the closed loop control condition.

Heated oxygen sensor 2 is located downstream of the three way catalyst (manifold). Even if the switching characteristics of air fuel ratio (A/F) sensor 1 shift, the air-fuel ratio is controlled to stoichiometric by the signal from heated oxygen sensor 2.

### Open Loop Control

The open loop system condition refers to when the ECM detects any of the following conditions. Feedback control stops in order to maintain stabilized fuel combustion.

- Deceleration and acceleration
- High-load, high-speed operation
- Malfunction of air fuel ratio (A/F) sensor 1 or its circuit
- Insufficient activation of air fuel ratio (A/F) sensor 1 at low engine coolant temperature
- High engine coolant temperature
- During warm-up
- After shifting from N to D
- When starting the engine

## MIXTURE RATIO SELF-LEARNING CONTROL

The mixture ratio feedback control system monitors the mixture ratio signal transmitted from air fuel ratio (A/F) sensor 1. This feedback signal is then sent to the ECM. The ECM controls the basic mixture ratio as close to the theoretical mixture ratio as possible. However, the basic mixture ratio is not necessarily controlled as originally designed. Both manufacturing differences (i.e., mass air flow sensor hot wire) and characteristic changes during operation (i.e., fuel injector clogging) directly affect mixture ratio.

Accordingly, the difference between the basic and theoretical mixture ratios is monitored in this system. This is then computed in terms of "injection pulse duration" to automatically compensate for the difference between the two ratios.

"Fuel trim" refers to the feedback compensation value compared against the basic injection duration. Fuel trim includes short-term fuel trim and long-term fuel trim.

"Short-term fuel trim" is the short-term fuel compensation used to maintain the mixture ratio at its theoretical value. The signal from air fuel ratio (A/F) sensor 1 indicates whether the mixture ratio is RICH or LEAN compared to the theoretical value. The signal then triggers a reduction in fuel volume if the mixture ratio is rich, and an increase in fuel volume if it is lean.

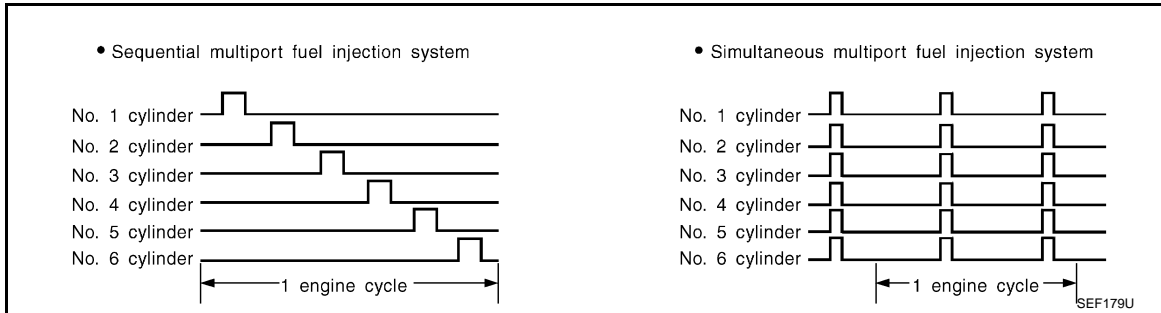
"Long-term fuel trim" is overall fuel compensation carried out overtime to compensate for continual deviation of the short-term fuel trim from the central value. Continual deviation will occur due to individual engine differences, wear over time and changes in the usage environment.

# MULTIPOINT FUEL INJECTION SYSTEM

[VQ40DE]

< FUNCTION DIAGNOSIS >

## FUEL INJECTION TIMING



Two types of systems are used.

### Sequential Multiport Fuel Injection System

Fuel is injected into each cylinder during each engine cycle according to the firing order. This system is used when the engine is running.

### Simultaneous Multiport Fuel Injection System

Fuel is injected simultaneously into all six cylinders twice each engine cycle. In other words, pulse signals of the same width are simultaneously transmitted from the ECM.

The six fuel injectors will then receive the signals two times for each engine cycle.

This system is used when the engine is being started and/or if the fail-safe system (CPU) is operating.

### FUEL SHUT-OFF

Fuel to each cylinder is cut off during deceleration, operation of the engine at excessively high speeds or operation of the vehicle at excessively high speeds.

## ELECTRIC IGNITION SYSTEM

### System Description

INFOID:000000004297245

### INPUT/OUTPUT SIGNAL CHART

Sensor	Input Signal to ECM	ECM function	Actuator
Crankshaft position sensor (POS)	Engine speed*2	Ignition timing control	Power transistor
Camshaft position sensor (PHASE)	Piston position		
Mass air flow sensor	Amount of intake air		
Engine coolant temperature sensor	Engine coolant temperature		
Throttle position sensor	Throttle position		
Accelerator pedal position sensor	Accelerator pedal position		
Knock sensor	Engine knocking		
Park/neutral position (PNP) switch	Gear position		
Battery	Battery voltage*2		
Wheel sensor	Vehicle speed*1		

\*1: This signal is sent to the ECM via the CAN communication line.

\*2: ECM determines the start signal status by the signals of engine speed and battery voltage.

### SYSTEM DESCRIPTION

Firing order: 1-2-3-4-5-6

The ignition timing is controlled by the ECM to maintain the best air-fuel ratio for every running condition of the engine. The ignition timing data is stored in the ECM.

The ECM receives information such as the injection pulse width and camshaft position sensor (PHASE) signal. Computing this information, ignition signals are transmitted to the power transistor.

During the following conditions, the ignition timing is revised by the ECM according to the other data stored in the ECM.

- At starting
- During warm-up
- At idle
- At low battery voltage
- During acceleration

The knock sensor retard system is designed only for emergencies. The basic ignition timing is programmed within the anti-knocking zone, if recommended fuel is used under dry conditions. The retard system does not operate under normal driving conditions. If engine knocking occurs, the knock sensor monitors the condition. The signal is transmitted to the ECM. The ECM retards the ignition timing to eliminate the knocking condition.

# AIR CONDITIONING CUT CONTROL

< FUNCTION DIAGNOSIS >

[VQ40DE]

## AIR CONDITIONING CUT CONTROL

### Input/Output Signal Chart

INFOID:000000004297246

Sensor	Input Signal to ECM	ECM function	Actuator
Air conditioner switch	Air conditioner ON signal* <sup>1</sup>	Air conditioner cut control	Air conditioner relay
Accelerator pedal position sensor	Accelerator pedal position		
Crankshaft position sensor (POS) Camshaft position sensor (PHASE)	Engine speed* <sup>2</sup>		
Engine coolant temperature sensor	Engine coolant temperature		
Battery	Battery voltage* <sup>2</sup>		
Refrigerant pressure sensor	Refrigerant pressure		
Power steering pressure sensor	Power steering operation		
Wheel sensor	Vehicle speed* <sup>1</sup>		

\*1: This signal is sent to the ECM via the CAN communication line.

\*2: ECM determines the start signal status by the signals of engine speed and battery voltage.

### System Description

INFOID:000000004297247

This system improves engine operation when the air conditioner is used. Under the following conditions, the air conditioner is turned off.

- When the accelerator pedal is fully depressed.
- When cranking the engine.
- At high engine speeds.
- When the engine coolant temperature becomes excessively high.
- When operating power steering during low engine speed or low vehicle speed.
- When engine speed is excessively low.
- When refrigerant pressure is excessively low or high.

# AUTOMATIC SPEED CONTROL DEVICE (ASCD)

< FUNCTION DIAGNOSIS >

[VQ40DE]

## AUTOMATIC SPEED CONTROL DEVICE (ASCD)

### System Description

INFOID:000000004297248

### INPUT/OUTPUT SIGNAL CHART

Sensor	Input signal to ECM	ECM function	Actuator
ASCD brake switch	Brake pedal operation	ASCD vehicle speed control	Electric throttle control actuator
Stop lamp switch	Brake pedal operation		
ASCD steering switch	ASCD steering switch operation		
Park/Neutral position (PNP) switch	Gear position		
Wheel sensor	Vehicle speed*		
TCM	Powertrain revolution*		

\*: This signal is sent to the ECM via the CAN communication line.

### BASIC ASCD SYSTEM

Refer to Owner's Manual for ASCD operating instructions.

Automatic Speed Control Device (ASCD) allows a driver to keep vehicle at predetermined constant speed without depressing accelerator pedal. Driver can set vehicle speed in advance between approximately 40 km/h (25 MPH) and 144 km/h (89 MPH).

ECM controls throttle angle of electric throttle control actuator to regulate engine speed.

Operation status of ASCD is indicated by CRUISE indicator and SET indicator in combination meter. If any malfunction occurs in the ASCD system, it automatically deactivates control.

#### NOTE:

Always drive vehicle in a safe manner according to traffic conditions and obey all traffic laws.

### SET OPERATION

Press MAIN switch. (The CRUISE indicator in combination meter illuminates.)

When vehicle speed reaches a desired speed between approximately 40 km/h (25 MPH) and 144 km/h (89 MPH), press SET/COAST switch. (Then SET indicator in combination meter illuminates.)

### ACCELERATE OPERATION

If the RESUME/ACCELERATE switch is pressed during cruise control driving, increase the vehicle speed until the switch is released or vehicle speed reaches maximum speed controlled by the system.

And then ASCD will maintain the new set speed.

### CANCEL OPERATION

When any of following conditions exist, cruise operation will be canceled.

- CANCEL switch is pressed
- More than 2 switches on ASCD steering switch are pressed at the same time (Set speed will be cleared)
- Brake pedal is depressed
- Selector lever position is changed to N, P or R
- Vehicle speed decreased to 13 km/h (8 MPH) lower than the set speed
- VDC system is operated

When the ECM detects any of the following conditions, the ECM will cancel the cruise operation and inform the driver by blinking indicator lamp.

- Engine coolant temperature is slightly higher than the normal operating temperature, CRUISE lamp may blink slowly.

When the engine coolant temperature decreases to the normal operating temperature, CRUISE lamp will stop blinking and the cruise operation will be able to work by depressing SET/COAST switch or RESUME/ACCELERATE switch.

- Malfunction for some self-diagnoses regarding ASCD control: SET lamp will blink quickly.

If MAIN switch is turned to OFF while ASCD is activated, all of ASCD operations will be canceled and vehicle speed memory will be erased.

### COAST OPERATION

When the SET/COAST switch is pressed during cruise control driving, decrease vehicle set speed until the switch is released. And then ASCD will maintain the new set speed.

### RESUME OPERATION

## AUTOMATIC SPEED CONTROL DEVICE (ASCD)

< FUNCTION DIAGNOSIS >

[VQ40DE]

When the RESUME/ACCELERATE switch is pressed after canceling operation other than depressing the MAIN switch, vehicle speed will return to last set speed. To resume vehicle set speed, vehicle condition must meet following conditions.

- Brake pedal is released
- Selector lever position is in other than P and N
- Vehicle speed is greater than 40 km/h (25 MPH) and less than 144 km/h (89 MPH)

### Component Description

INFOID:000000004297249

#### ASCD STEERING SWITCH

Refer to [EC-336](#).

#### ASCD BRAKE SWITCH

Refer to [EC-340](#) and [EC-385](#).

#### STOP LAMP SWITCH

Refer to [EC-340](#), [EC-351](#) and [EC-385](#).

#### ELECTRIC THROTTLE CONTROL ACTUATOR

Refer to [EC-354](#), [EC-357](#), [EC-361](#) and [EC-363](#).

#### ASCD INDICATOR

Refer to [EC-389](#).

CAN COMMUNICATION

System Description

INFOID:000000004297250

CAN (Controller Area Network) is a serial communication line for real time application. It is an on-vehicle multiplex communication line with high data communication speed and excellent error detection ability. Many electronic control units are equipped onto a vehicle, and each control unit shares information and links with other control units during operation (not independent). In CAN communication, control units are connected with 2 communication lines (CAN H line, CAN L line) allowing a high rate of information transmission with less wiring. Each control unit transmits/receives data but selectively reads required data only.

Refer to [LAN-57. "CAN System Specification Chart"](#), about CAN communication for detail.

A  
EC  
C  
D  
E  
F  
G  
H  
I  
J  
K  
L  
M  
N  
O  
P

# COOLING FAN CONTROL

< FUNCTION DIAGNOSIS >

[VQ40DE]

## COOLING FAN CONTROL

### Description

INFOID:000000004297251

### SYSTEM DESCRIPTION

#### Cooling Fan Control

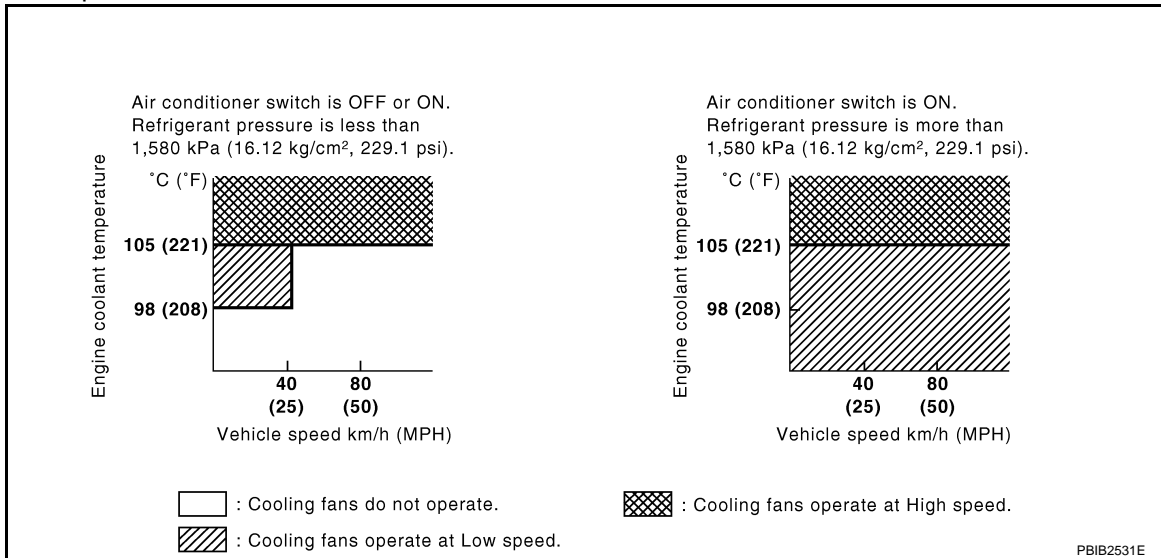
Sensor	Input Signal to ECM	ECM function	Actuator
Crankshaft position sensor (POS) Camshaft position sensor (PHASE)	Engine speed* <sup>1</sup>	Cooling fan control	IPDM E/R (Cooling fan relays)
Battery	Battery voltage* <sup>1</sup>		
Wheel sensor	Vehicle speed* <sup>2</sup>		
Engine coolant temperature sensor	Engine coolant temperature		
Air conditioner switch	Air conditioner ON signal* <sup>2</sup>		
Refrigerant pressure sensor	Refrigerant pressure		

\*1: The ECM determines the start signal status by the signals of engine speed and battery voltage.

\*2: This signal is sent to ECM via the CAN communication line.

The ECM controls the cooling fan corresponding to the vehicle speed, engine coolant temperature, refrigerant pressure, and air conditioner ON signal. The control system has 3-step control [HIGH/LOW/OFF].

#### Cooling Fan Operation



#### Cooling Fan Relay Operation

The ECM controls cooling fan relays in the IPDM E/R via the CAN communication line.

Cooling fan speed	Cooling fan relay	
	LO	HI
Stop (OFF)	OFF	OFF
Low (LOW)	ON	OFF
High (HI)	ON	ON



# EVAPORATIVE EMISSION SYSTEM

< FUNCTION DIAGNOSIS >

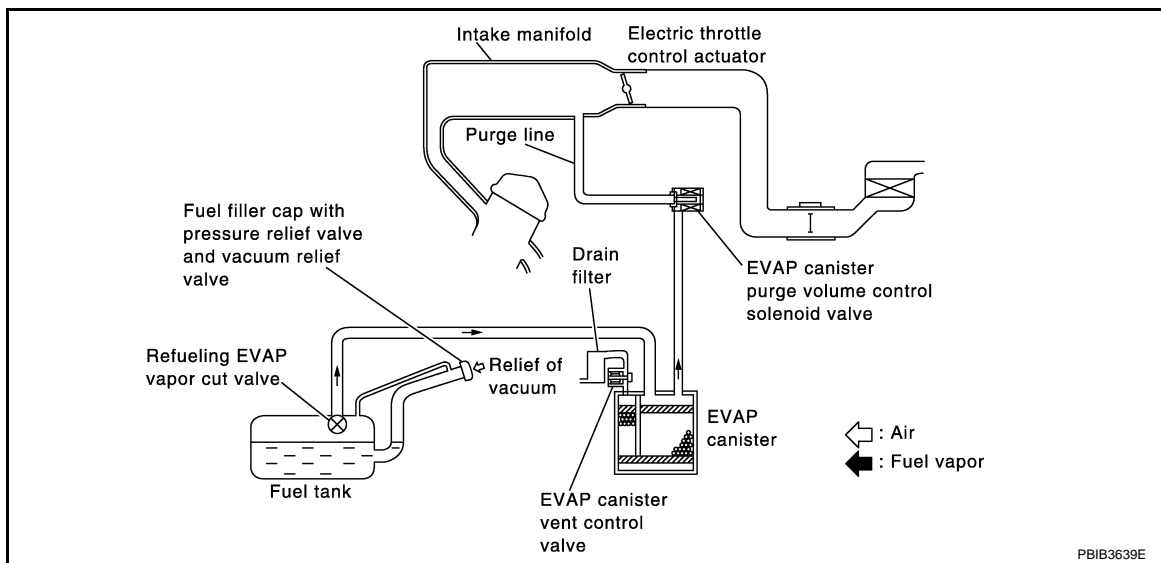
[VQ40DE]

## EVAPORATIVE EMISSION SYSTEM

### Description

INFOID:000000004297252

### SYSTEM DESCRIPTION



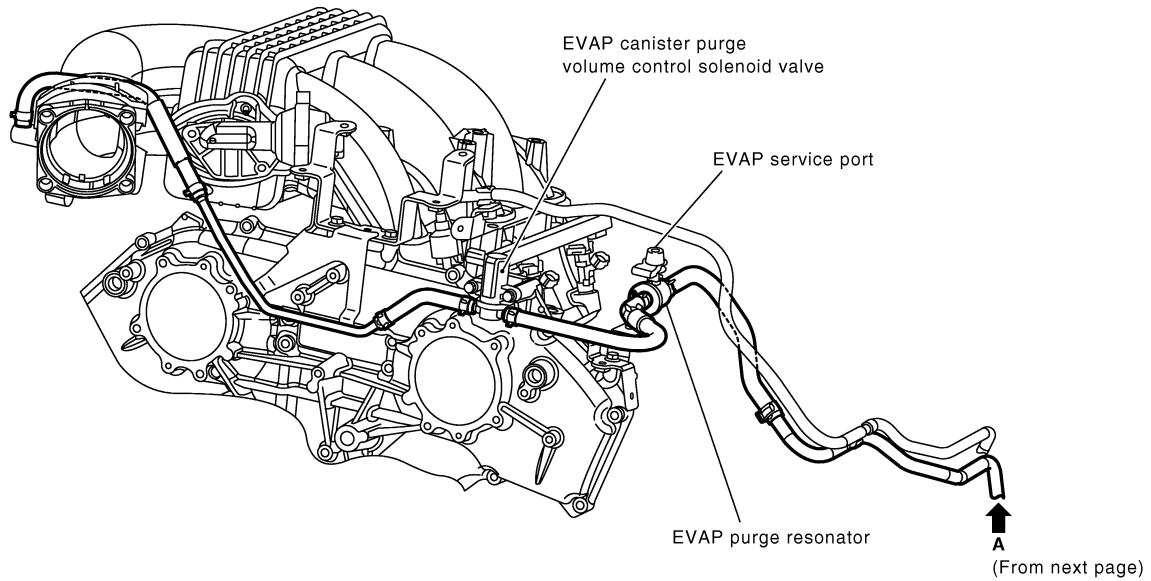
The evaporative emission system is used to reduce hydrocarbons emitted into the atmosphere from the fuel system. This reduction of hydrocarbons is accomplished by activated charcoals in the EVAP canister. The fuel vapor in the sealed fuel tank is led into the EVAP canister which contains activated carbon and the vapor is stored there when the engine is not operating or when refueling to the fuel tank. The vapor in the EVAP canister is purged by the air through the purge line to the intake manifold when the engine is operating. EVAP canister purge volume control solenoid valve is controlled by ECM. When the engine operates, the flow rate of vapor controlled by EVAP canister purge volume control solenoid valve is proportionally regulated as the air flow increases. EVAP canister purge volume control solenoid valve also shuts off the vapor purge line during decelerating.

# EVAPORATIVE EMISSION SYSTEM

[VQ40DE]

< FUNCTION DIAGNOSIS >

## EVAPORATIVE EMISSION LINE DRAWING



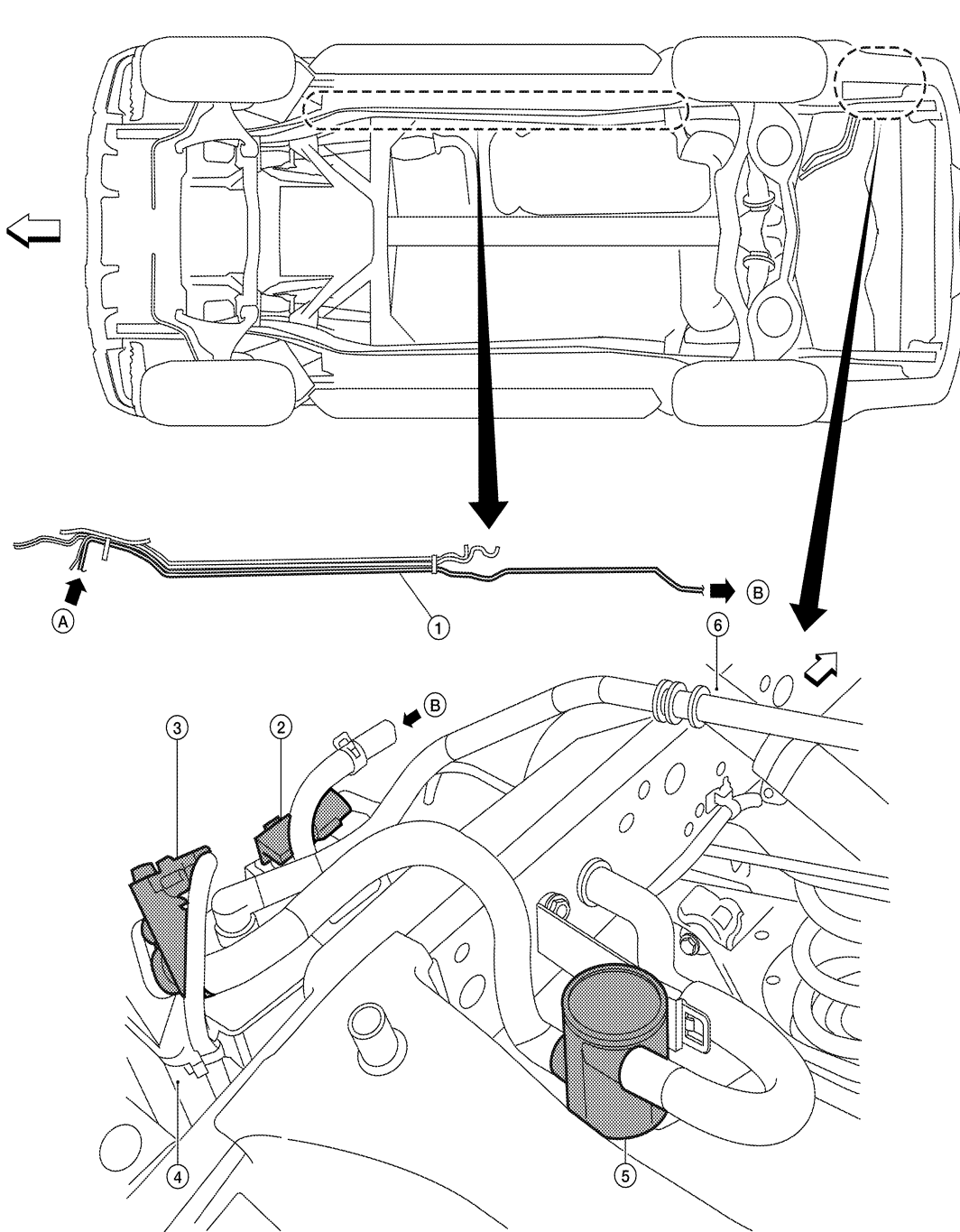
**NOTE:** Do not use soapy water or any type of solvent while installing vacuum hose or purge hoses.

PBIB2528E

# EVAPORATIVE EMISSION SYSTEM

< FUNCTION DIAGNOSIS >

[VQ40DE]



A

EC

C

D

E

F

G

H

I

J

K

L

M

N

O

P

1. EVAP vapor purge line

2. EVAP control system pressure sensor

3. EVAP canister vent control valve

4. EVAP canister

5. Drain filter

6. Fuel filler pipe

⇐ :Vehicle front

← :Previous page

ALBIA0366ZZ

# INTAKE VALVE TIMING CONTROL

< FUNCTION DIAGNOSIS >

[VQ40DE]

## INTAKE VALVE TIMING CONTROL

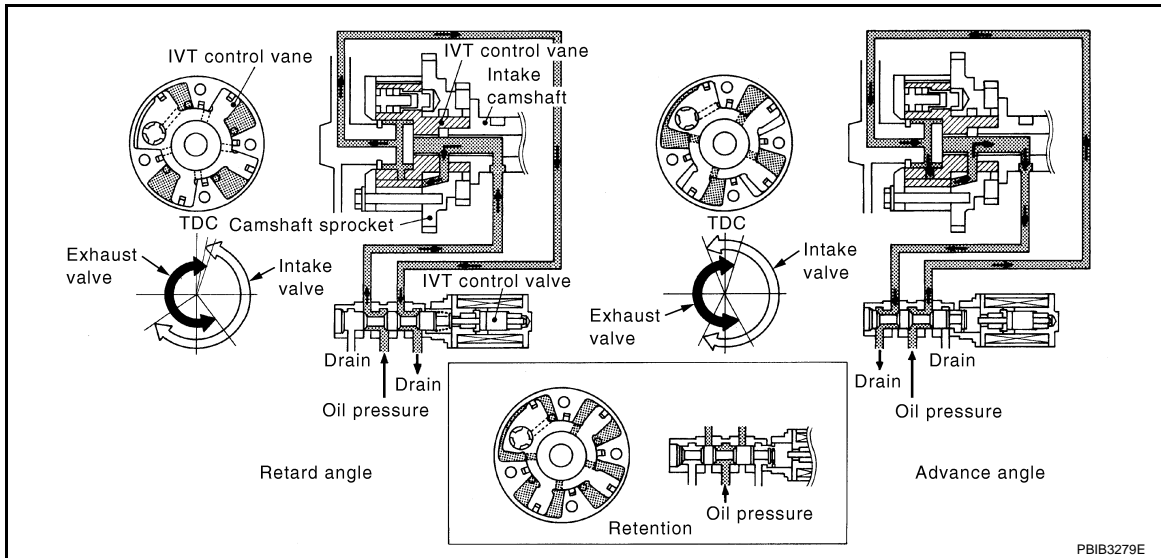
### Description

INFOID:000000004297253

### SYSTEM DESCRIPTION

Sensor	Input signal to ECM	ECM function	Actuator
Crankshaft position sensor (POS)	Engine speed and piston position	Intake valve timing control	Intake valve timing control solenoid valve
Camshaft position sensor (PHASE)			
Engine coolant temperature sensor	Engine coolant temperature		
Wheel sensor	Vehicle speed*		

\*: This signal is sent to the ECM via the CAN communication line



This mechanism hydraulically controls cam phases continuously with the fixed operating angle of the intake valve.

The ECM receives signals such as crankshaft position, camshaft position, engine speed, and engine coolant temperature. Then, the ECM sends ON/OFF pulse duty signals to the intake valve timing control solenoid valve depending on driving status. This makes it possible to control the shut/open timing of the intake valve to increase engine torque in low/mid speed range and output in high-speed range.

# VARIABLE INDUCTION AIR SYSTEM

< FUNCTION DIAGNOSIS >

[VQ40DE]

## VARIABLE INDUCTION AIR SYSTEM

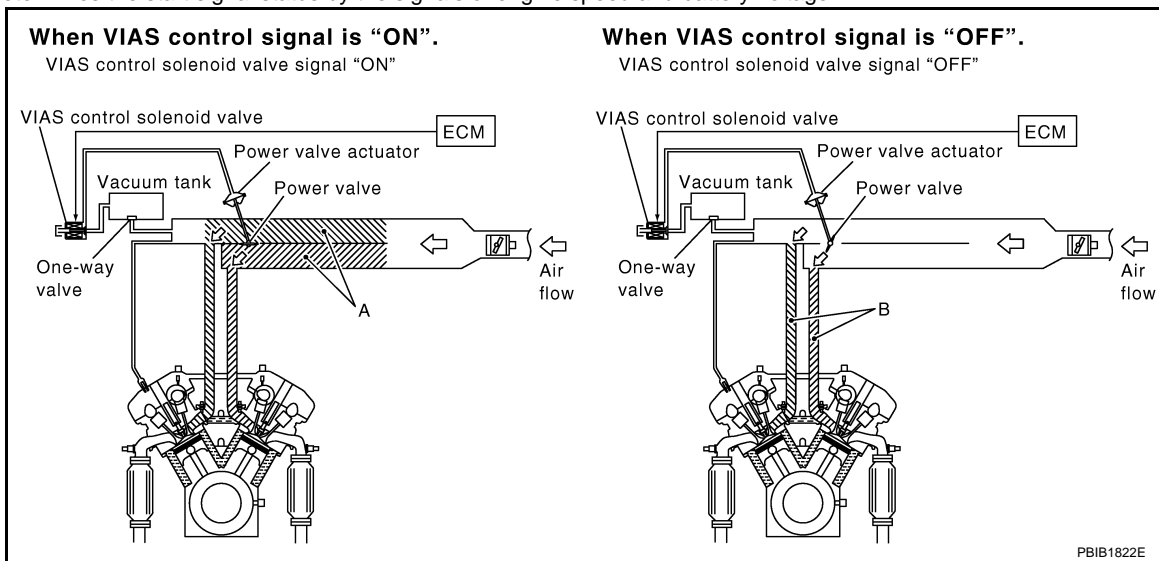
### Description

INFOID:000000004297254

### SYSTEM DESCRIPTION

Sensor	Input Signal to ECM	ECM function	Actuator
Crankshaft position sensor (POS) Camshaft position sensor (PHASE)	Engine speed*	VIAS control	VIAS control solenoid valve
Mass air flow sensor	Amount of intake air		
Engine coolant temperature sensor	Engine coolant temperature		
Throttle position sensor	Throttle position		
Accelerator pedal position sensor	Accelerator pedal position		
Battery	Battery voltage*		

\*: ECM determines the start signal status by the signals of engine speed and battery voltage.



When the engine is running at medium speed, the ECM sends the ON signal to the VIAS control solenoid valve. This signal introduces the intake manifold vacuum into the power valve actuator and therefore closes the power valve.

Under this condition, the effective intake manifold length is equivalent to the total length of passage A and passage B. This long intake manifold provides increased amount of intake air, which results in improved suction efficiency and higher torque.

When engine is running at low or high speed, the ECM sends the OFF signal to the VIAS control solenoid valve and the power valve is opened.

Under this condition, the effective intake manifold length is equivalent to the length of passage B. This shortened intake manifold length results in enhanced engine output due to reduced suction resistance under high speeds.

### COMPONENT DESCRIPTION

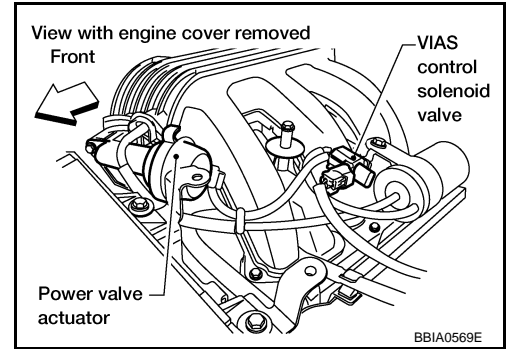
Power Valve

# VARIABLE INDUCTION AIR SYSTEM

[VQ40DE]

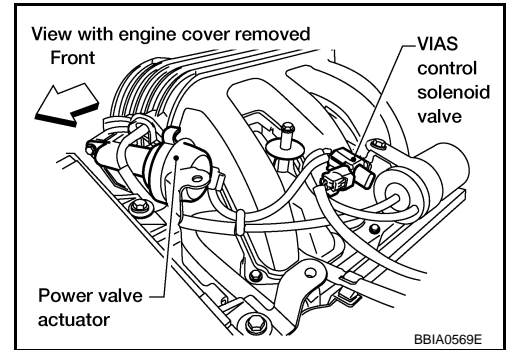
## < FUNCTION DIAGNOSIS >

The power valve is installed in intake manifold collector and used to control the suction passage of the variable induction air control system. It is set in the fully closed or fully opened position by the power valve actuator operated by the vacuum stored in the surge tank. The vacuum in the surge tank is controlled by the VIAS control solenoid valve.



### VIAS Control Solenoid Valve

The VIAS control solenoid valve cuts the intake manifold vacuum signal for power valve control. It responds to ON/OFF signals from the ECM. When the solenoid is off, the vacuum signal from the intake manifold is cut. When the ECM sends an ON signal the coil pulls the plunger downward and feeds the vacuum signal to the power valve actuator.



# VARIABLE INDUCTION AIR SYSTEM

< FUNCTION DIAGNOSIS >

[VQ40DE]

## Vacuum Hose Drawing

INFOID:000000004297255

A

EC

C

D

E

F

G

H

I

J

K

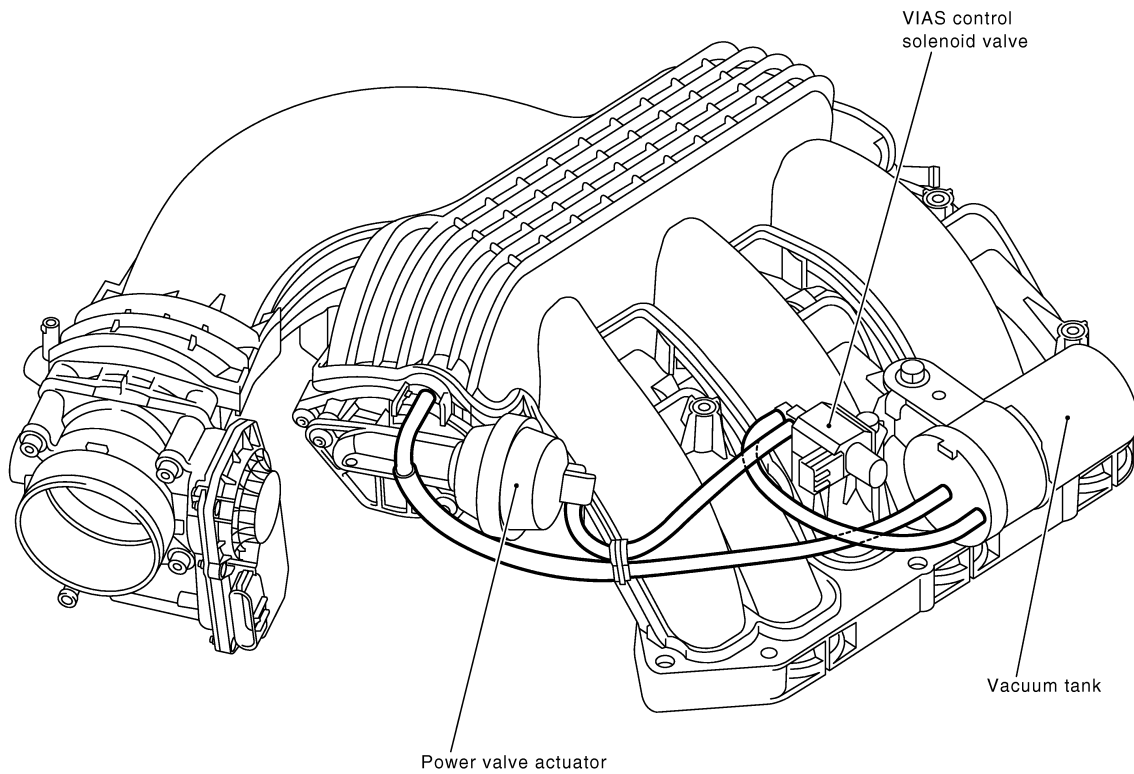
L

M

N

O

P



NOTE: Do not use soapy water or any type of solvent while installing vacuum hose or purge hoses.

Refer to [EC-28, "System Diagram"](#) for Vacuum Control System.

PBIB2529E

# ON BOARD DIAGNOSTIC (OBD) SYSTEM

< FUNCTION DIAGNOSIS >

[VQ40DE]

## ON BOARD DIAGNOSTIC (OBD) SYSTEM

### Introduction

INFOID:000000004297256

The ECM has an on board diagnostic system, which detects malfunctions related to engine sensors or actuators. The ECM also records various emission-related diagnostic information including:

Emission-related diagnostic information	SAE Mode
Diagnostic Trouble Code (DTC)	Service \$03 of SAE J1979
Freeze Frame data	Service \$02 of SAE J1979
System Readiness Test (SRT) code	Service \$01 of SAE J1979
1st Trip Diagnostic Trouble Code (1st Trip DTC)	Service \$07 of SAE J1979
1st Trip Freeze Frame data	
Test values and Test limits	Service \$06 of SAE J1979
Calibration ID	Service \$09 of SAE J1979

The above information can be checked using procedures listed in the table below.

x: Applicable —: Not applicable

	DTC	1st trip DTC	Freeze Frame data	1st trip Freeze Frame data	SRT code	SRT status	Test value
CONSULT-III	x	x	x	x	x	x	—
GST	x	x	x	—	x	x	x
ECM	x	x*	—	—	—	x	—

\*: When DTC and 1st trip DTC simultaneously appear on the display, they cannot be clearly distinguished from each other.

The malfunction indicator lamp (MIL) on the instrument panel illuminates when the same malfunction is detected in two consecutive trips (Two trip detection logic), or when the ECM enters fail-safe mode. (Refer to [EC-453](#).)

### Two Trip Detection Logic

INFOID:000000004297257

When a malfunction is detected for the first time, 1st trip DTC and 1st trip Freeze Frame data are saved in the ECM memory. The MIL will not illuminate at this stage. <1st trip>

If the same malfunction is detected again during the next drive, the DTC and Freeze Frame data are saved in the ECM memory, and the MIL illuminates. The MIL illuminates at the same time the DTC is saved. <2nd trip> The “trip” in the “Two Trip Detection Logic” means a driving mode in which self-diagnosis is performed during vehicle operation. Specific on board diagnostic items will cause the ECM to illuminate or blink the MIL, and save DTC and Freeze Frame data, even in the 1st trip, as shown below.

x: Applicable —: Not applicable

Items	MIL				DTC		1st trip DTC	
	1st trip		2nd trip		1st trip displaying	2nd trip displaying	1st trip displaying	2nd trip displaying
	Blinking	Illuminated	Blinking	Illuminated				
Misfire (Possible three way catalyst damage) — DTC: P0300 - P0306 is being detected	x	—	—	—	—	—	x	—
Misfire (Possible three way catalyst damage) — DTC: P0300 - P0306 is being detected	—	—	x	—	—	x	—	—
One trip detection diagnoses (Refer to <a href="#">EC-456</a> .)	—	x	—	—	x	—	—	—
Except above	—	—	—	x	—	x	x	—

When there is an open circuit on MIL circuit, the ECM cannot warn the driver by illuminating MIL when there is malfunction on engine control system.



# ON BOARD DIAGNOSTIC (OBD) SYSTEM

[VQ40DE]

## < FUNCTION DIAGNOSIS >

Therefore, when electrical controlled throttle and part of ECM related diagnoses are continuously detected as NG for 5 trips, ECM warns the driver that engine control system malfunctions and MIL circuit is open by means of operating fail-safe function.

The fail-safe function also operates when above diagnoses except MIL circuit are detected and demands the driver to repair the malfunction.

Engine operating condition in fail-safe mode

Engine speed will not rise more than 2,500 rpm due to the fuel cut

## Emission-related Diagnostic Information

INFOID:000000004297258

### DTC AND 1ST TRIP DTC

The 1st trip DTC (whose number is the same as the DTC number) is displayed for the latest self-diagnostic result obtained. If the ECM memory was cleared previously, and the 1st trip DTC did not reoccur, the 1st trip DTC will not be displayed.

If a malfunction is detected during the 1st trip, the 1st trip DTC is saved in the ECM memory. The MIL will not illuminate (two trip detection logic). If the same malfunction is not detected in the 2nd trip (meeting the required driving pattern), the 1st trip DTC is cleared from the ECM memory. If the same malfunction is detected in the 2nd trip, both the 1st trip DTC and DTC are saved in the ECM memory and the MIL illuminates. In other words, the DTC is saved in the ECM memory and the MIL illuminates when the same malfunction occurs in two consecutive trips. If a 1st trip DTC is saved and a non-diagnostic operation is performed between the 1st and 2nd trips, only the 1st trip DTC will continue to be saved. For malfunctions that blink or illuminate the MIL during the 1st trip, the DTC and 1st trip DTC are saved in the ECM memory.

Procedures for clearing the DTC and the 1st trip DTC from the ECM memory are described in "HOW TO ERASE EMISSION-RELATED DIAGNOSTIC INFORMATION".

For malfunctions in which 1st trip DTCs are displayed, refer to "EMISSION-RELATED DIAGNOSTIC INFORMATION ITEMS". These items are required by legal regulations to continuously monitor the system/component. In addition, the items monitored non-continuously are also displayed on CONSULT-III.

1st trip DTC is specified in Service \$07 of SAE J1979. 1st trip DTC detection occurs without illuminating the MIL and therefore does not warn the driver of a malfunction. However, 1st trip DTC detection will not prevent the vehicle from being tested, for example during Inspection/Maintenance (I/M) tests.

When a 1st trip DTC is detected, check, print out or write down and erase (1st trip) DTC and Freeze Frame data as specified in Work Flow procedure Step 2, refer to [EC-14, "Trouble Diagnosis Introduction"](#). Then perform DTC Confirmation Procedure or Overall Function Check to try to duplicate the malfunction. If the malfunction is duplicated, the item requires repair.

### How to Read DTC and 1st Trip DTC

DTC and 1st trip DTC can be read by the following methods.

 **With CONSULT-III**

 **With GST**

CONSULT-III or GST (Generic Scan Tool) Examples: P0340, P0850, P1148, etc.

These DTCs are prescribed by SAE J2012.

(CONSULT-III also displays the malfunctioning component or system.)

 **No Tools**

The number of blinks of the MIL in the Diagnostic Test Mode II (Self-Diagnostic Results) indicates the DTC. Example: 0340, 0850, 1148, etc.

These DTCs are controlled by NISSAN.

- **1st trip DTC No. is the same as DTC No.**
- **Output of a DTC indicates a malfunction. However, GST and the Diagnostic Test Mode II do not indicate whether the malfunction is still occurring or has occurred in the past and has returned to normal. CONSULT-III can identify malfunction status as shown below. Therefore, using CONSULT-III (if available) is recommended.**

DTC or 1st trip DTC of a malfunction is displayed in SELF-DIAGNOSTIC RESULTS mode of CONSULT-III. Time data indicates how many times the vehicle was driven after the last detection of a DTC.

If the DTC is being detected currently, the time data will be [0].

If a 1st trip DTC is saved in the ECM, the time data will be [1t].

### FREEZE FRAME DATA AND 1ST TRIP FREEZE FRAME DATA

The ECM records the driving conditions such as fuel system status, calculated load value, engine coolant temperature, short term fuel trim, long term fuel trim, engine speed, vehicle speed, absolute throttle position, base fuel schedule and intake air temperature at the moment a malfunction is detected.

# ON BOARD DIAGNOSTIC (OBD) SYSTEM

[VQ40DE]

## < FUNCTION DIAGNOSIS >

Data which are saved in the ECM memory, along with the 1st trip DTC, are called 1st trip freeze frame data. The data, saved together with the DTC data, are called freeze frame data and displayed on CONSULT-III or GST. The 1st trip freeze frame data can only be displayed on the CONSULT-III screen, not on the GST. For details, see [EC-73. "CONSULT-III Function \(ENGINE\)"](#).

Only one set of freeze frame data (either 1st trip freeze frame data or freeze frame data) can be saved in the ECM. 1st trip freeze frame data is saved in the ECM memory along with the 1st trip DTC. There is no priority for 1st trip freeze frame data and it is updated each time a different 1st trip DTC is detected. However, once freeze frame data (2nd trip detection/MIL on) is saved in the ECM memory, 1st trip freeze frame data is no longer saved. Remember, only one set of freeze frame data can be saved in the ECM. The ECM has the following priorities to update the data.

Priority	Items	
1	Freeze frame data	Misfire — DTC: P0300 - P0306 Fuel Injection System Function — DTC: P0171, P0172, P0174, P0175
2		Except the above items (Includes A/T related items)
3	1st trip freeze frame data	

For example, the EGR malfunction (Priority: 2) was detected and the freeze frame data was saved in the 2nd trip. After that when the misfire (Priority: 1) is detected in another trip, the freeze frame data will be updated from the EGR malfunction to the misfire. The 1st trip freeze frame data is updated each time a different malfunction is detected. There is no priority for 1st trip freeze frame data. However, once freeze frame data is saved in the ECM memory, 1st trip freeze data is no longer saved (because only one freeze frame data or 1st trip freeze frame data can be saved in the ECM). If freeze frame data is saved in the ECM memory and freeze frame data with the same priority occurs later, the first (original) freeze frame data remains unchanged in the ECM memory.

Both 1st trip freeze frame data and freeze frame data (along with the DTCs) are cleared when the ECM memory is erased. Procedures for clearing the ECM memory are described in "HOW TO ERASE EMISSION-RELATED DIAGNOSTIC INFORMATION".

## SYSTEM READINESS TEST (SRT) CODE

System Readiness Test (SRT) code is specified in Service \$01 of SAE J1979.

As part of an enhanced emissions test for Inspection & Maintenance (I/M), certain states require the status of SRT be used to indicate whether the ECM has completed self-diagnosis of major emission systems and components. Completion must be verified in order for the emissions inspection to proceed.

If a vehicle is rejected for a State emissions inspection due to one or more SRT items indicating "INCMP", use the information in this Service Manual to set the SRT to "CMPLT".

In most cases the ECM will automatically complete its self-diagnosis cycle during normal usage, and the SRT status will indicate "CMPLT" for each application system. Once set as "CMPLT", the SRT status remains "CMPLT" until the self-diagnosis memory is erased.

Occasionally, certain portions of the self-diagnostic test may not be completed as a result of the customer's normal driving pattern; the SRT will indicate "INCMP" for these items.

### NOTE:

The SRT will also indicate "INCMP" if the self-diagnosis memory is erased for any reason or if the ECM memory power supply is interrupted for several hours.

If, during the state emissions inspection, the SRT indicates "CMPLT" for all test items, the inspector will continue with the emissions test. However, if the SRT indicates "INCMP" for one or more of the SRT items the vehicle is returned to the customer untested.

### NOTE:

If MIL is ON during the state emissions inspection, the vehicle is also returned to the customer untested even though the SRT indicates "CMPLT" for all test items. Therefore, it is important to check SRT ("CMPLT") and DTC (No DTCs) before the inspection.

### SRT Item

The table below shows required self-diagnostic items to set the SRT to "CMPLT".

SRT item (CONSULT-III indication)	Performance Priority*1	Required self-diagnostic items to set the SRT to "CMPLT"	Corresponding DTC No.
CATALYST	2	Three way catalyst function	P0420, P0430

# ON BOARD DIAGNOSTIC (OBD) SYSTEM

< FUNCTION DIAGNOSIS >

[VQ40DE]

SRT item (CONSULT-III indication)	Performance Priority*1	Required self-diagnostic items to set the SRT to "CMPLT"	Corresponding DTC No.
EVAP SYSTEM	2	EVAP control system purge flow monitoring	P0441
	1	EVAP control system	P0442
	2	EVAP control system	P0456
HO2S	1	Air fuel ratio (A/F) sensor 1	P0133, P0153
		Heated oxygen sensor 2	P0137, P0157
		Heated oxygen sensor 2	P0138, P0158
		Heated oxygen sensor 2	P0139, P0159

\*1: If completion of several SRTs is required, perform driving patterns (DTC confirmation procedure), one by one based on the priority for models with CONSULT-III.

## SRT Set Timing

SRT is set as "CMPLT" after self-diagnosis has been performed one or more times. Completion of SRT is done regardless of whether the result is OK or NG. The set timing is different between OK and NG results and is shown in the table below.

Self-diagnosis result		Example					
		Diagnosis	Ignition cycle				← ON →
			← ON →	OFF	← ON →	OFF	
All OK	Case 1	P0400	OK (1)	— (1)	OK (2)	— (2)	
		P0402	OK (1)	— (1)	— (1)	OK (2)	
		P1402	OK (1)	OK (2)	— (2)	— (2)	
		SRT of EGR	"CMPLT"	"CMPLT"	"CMPLT"	"CMPLT"	
	Case 2	P0400	OK (1)	— (1)	— (1)	— (1)	
		P0402	— (0)	— (0)	OK (1)	— (1)	
		P1402	OK (1)	OK (2)	— (2)	— (2)	
		SRT of EGR	"INCMP"	"INCMP"	"CMPLT"	"CMPLT"	
NG exists	Case 3	P0400	OK	OK	—	—	
		P0402	—	—	—	—	
		P1402	NG	—	NG	NG (Consecutive NG)	
		(1st trip) DTC	1st trip DTC	—	1st trip DTC	DTC (= MIL ON)	
		SRT of EGR	"INCMP"	"INCMP"	"INCMP"	"CMPLT"	

OK: Self-diagnosis is carried out and the result is OK.

NG: Self-diagnosis is carried out and the result is NG.

—: Self-diagnosis is not carried out.

When all SRT related self-diagnoses show OK results in a single cycle (Ignition OFF-ON-OFF), the SRT will indicate "CMPLT". → Case 1 above

When all SRT related self-diagnoses show OK results through several different cycles, the SRT will indicate "CMPLT" at the time the respective self-diagnoses have at least one OK result. → Case 2 above

If one or more SRT related self-diagnoses show NG results in 2 consecutive cycles, the SRT will also indicate "CMPLT". → Case 3 above

The table above shows that the minimum number of cycles for setting SRT as "INCMP" is one the number (1) for each self-diagnosis (Case 1 & 2) or the number two (2) for one of self-diagnoses (Case 3). However, in preparation for the state emissions inspection, it is unnecessary for each self-diagnosis to be executed twice (Case 3) for the following reasons:

- The SRT will indicate "CMPLT" at the time the respective self-diagnoses have one (1) OK result.
- The emissions inspection requires "CMPLT" of the SRT only with OK self-diagnosis results.

# ON BOARD DIAGNOSTIC (OBD) SYSTEM

[VQ40DE]

## < FUNCTION DIAGNOSIS >

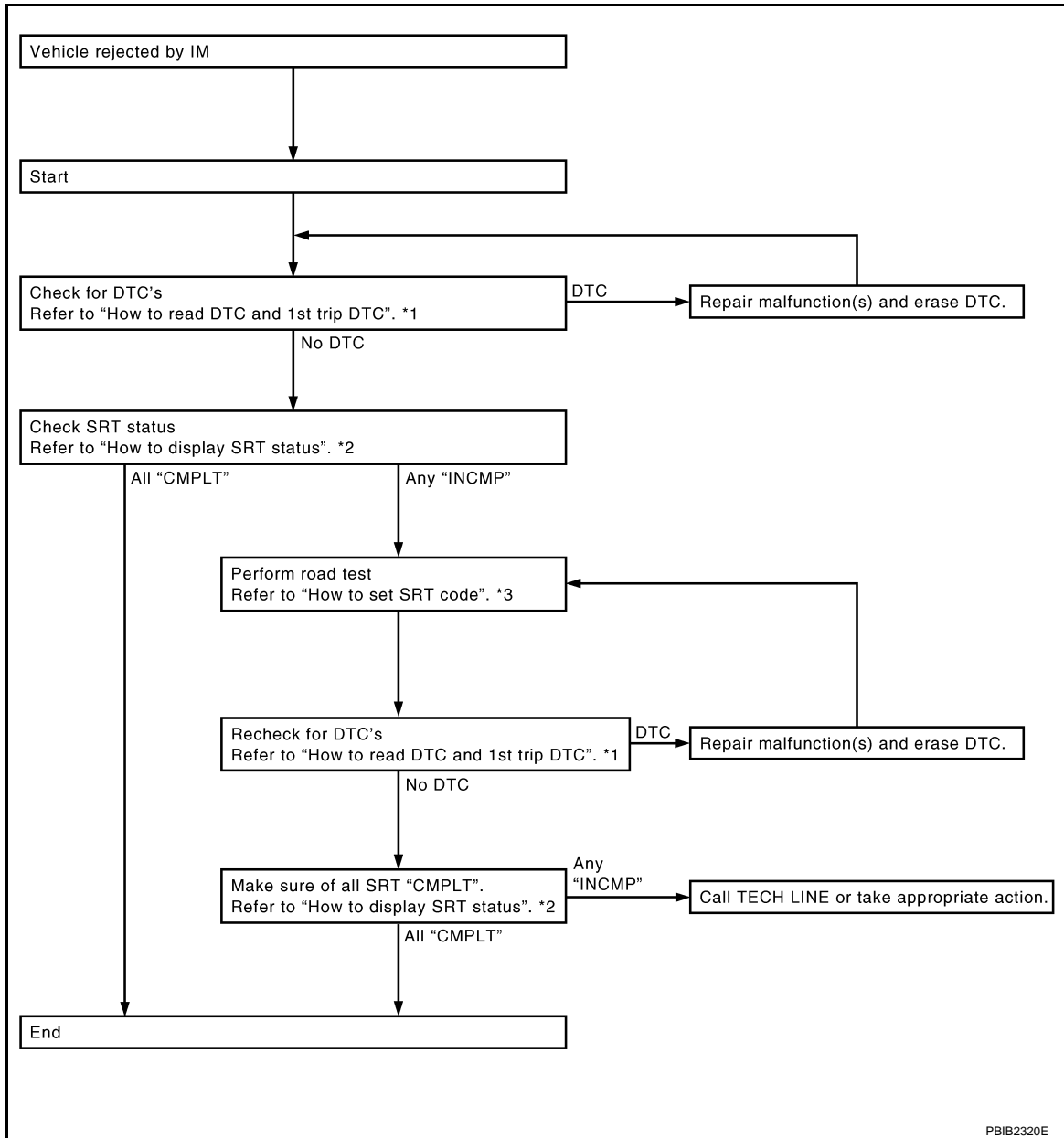
- During SRT driving pattern, the 1st trip DTC (NG) is detected prior to “CMPLT” of SRT and the self-diagnosis memory must be erased from the ECM after repair.
- If the 1st trip DTC is erased, all the SRT will indicate “INCMP”.

### NOTE:

SRT can be set as “CMPLT” together with the DTC(s). Therefore, DTC check must always be carried out prior to the state emission inspection even though the SRT indicates “CMPLT”.

### SRT Service Procedure

If a vehicle has failed the state emissions inspection due to one or more SRT items indicating “INCMP”, review the flowchart diagnostic sequence on the next page.



\*1 "How to Read DTC and 1st Trip DTC" \*2 "How to Display SRT Status"

\*3 "How to Set SRT Code"

### How to Display SRT Status

#### WITH CONSULT-III

Selecting “SRT STATUS” in “DTC & SRT CONFIRMATION” mode with CONSULT-III.

For items whose SRT codes are set, “CMPLT” is displayed on the CONSULT-III screen; for items whose SRT codes are not set, “INCMP” is displayed.

### NOTE:

Though displayed on the CONSULT-III screen, “HO2S HTR” is not SRT item.

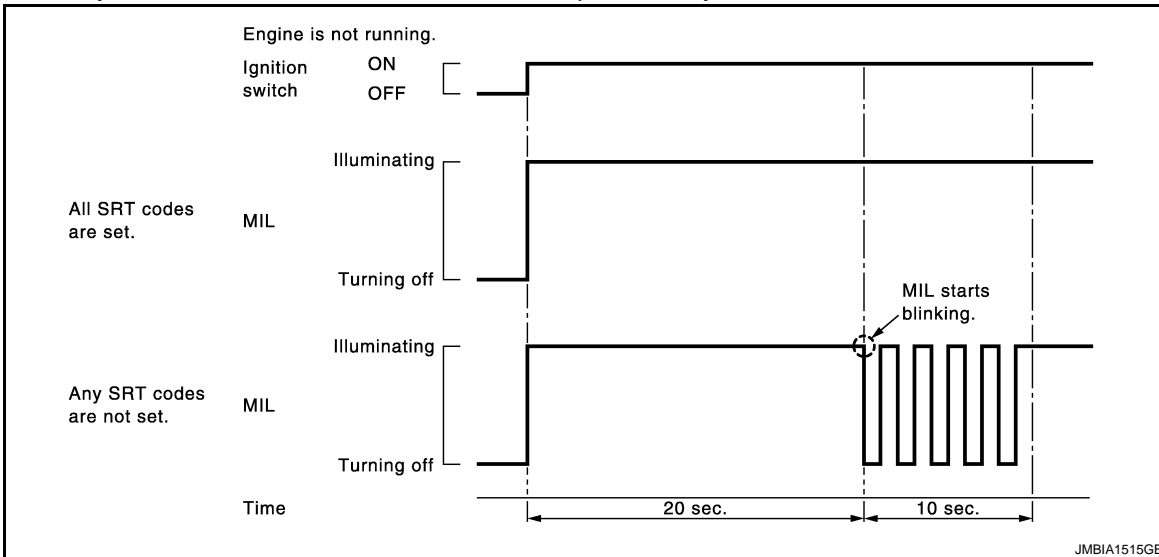
**WITH GST**

Selecting Service \$01 with GST (Generic Scan Tool)

**NO TOOLS**

A SRT code itself cannot be displayed however only SRT status can.

1. Turn ignition switch ON and wait 20 seconds.
2. SRT status is indicated as shown below.
  - When all SRT codes are set, MIL illuminates continuously.
  - When any SRT codes are not set, MIL will blink periodically for 10 seconds.



**How to Set SRT Code**

To set all SRT codes, self-diagnosis for the items indicated above must be performed one or more times. Each diagnosis may require a long period of actual driving under various conditions.

**WITH CONSULT-III**

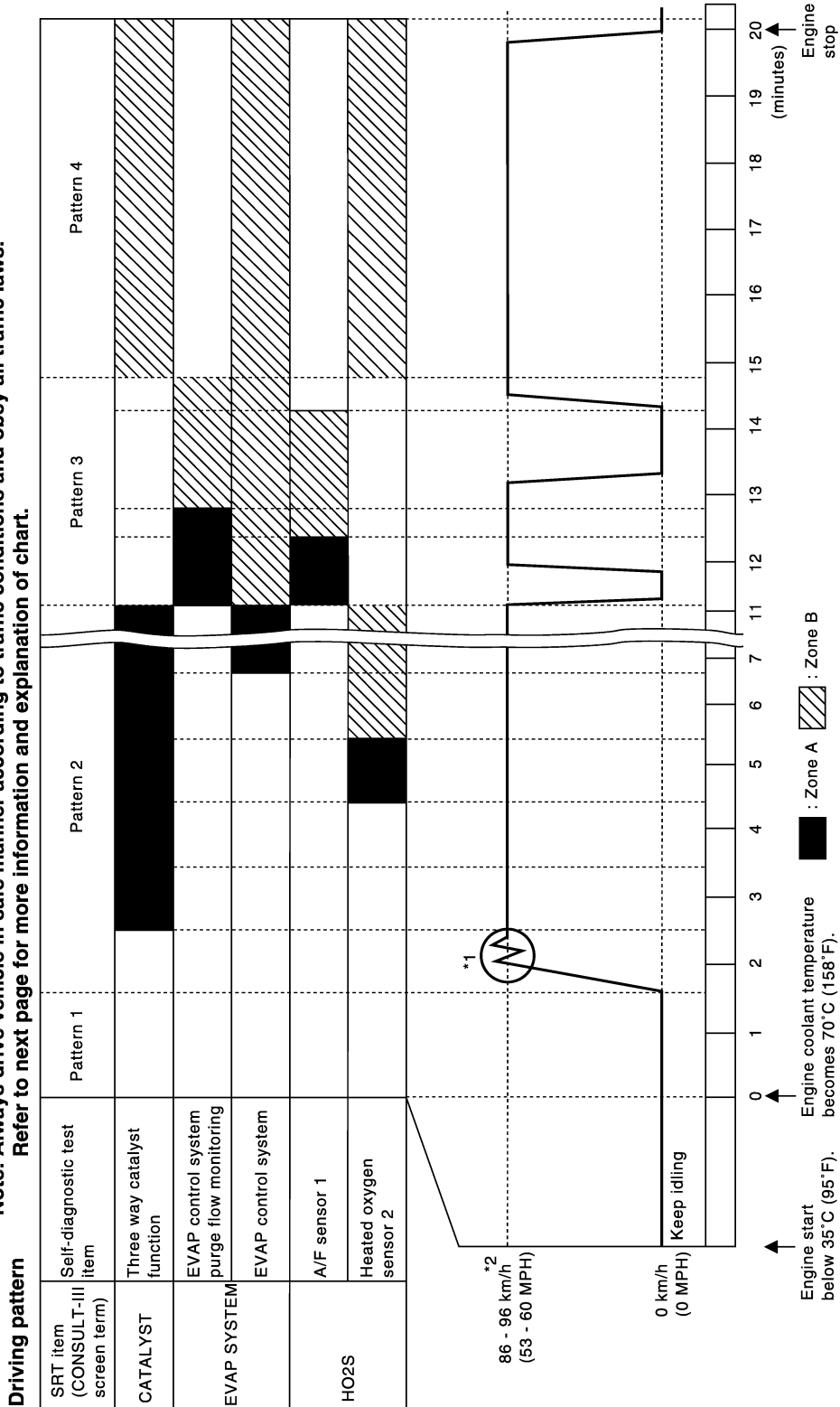
Perform corresponding DTC Confirmation Procedure one by one based on Performance Priority in the table on "SRT Item".

**WITHOUT CONSULT-III**

The most efficient driving pattern in which SRT codes can be properly set is explained below. The driving pattern should be performed one or more times to set all SRT codes.

Driving Pattern

**Note: Always drive vehicle in safe manner according to traffic conditions and obey all traffic laws.  
Refer to next page for more information and explanation of chart.**



PBIB3622E

- The time required for each diagnosis varies with road surface conditions, weather, altitude, individual driving habits, etc.  
 Zone A refers to the range where the time, required for the diagnosis under normal conditions\*, is the shortest.  
 Zone B refers to the range where the diagnosis can still be performed if the diagnosis is not completed within zone A.
- \*: Normal conditions refer to the following:

# ON BOARD DIAGNOSTIC (OBD) SYSTEM

[VQ40DE]

## < FUNCTION DIAGNOSIS >

- Sea level
  - Flat road
  - Ambient air temperature: 20 - 30°C (68 - 86°F)
  - Diagnosis is performed as quickly as possible under normal conditions.
- Under different conditions [For example: ambient air temperature other than 20 - 30°C (68 - 86°F)], diagnosis may also be performed.

### Pattern 1:

- **The engine is started at the engine coolant temperature of -10 to 35°C (14 to 95°F) (where the voltage between the ECM terminal 73 and ground is 3.0 - 4.3V).**
- **The engine must be operated at idle speed until the engine coolant temperature is greater than 70°C (158°F) (where the voltage between the ECM terminal 73 and ground is lower than 1.4V).**
- **The engine is started at the fuel tank temperature of warmer than 0°C (32°F) (where the voltage between the ECM terminal 107 and ground is less than 4.1V).**

### Pattern 2:

- When steady-state driving is performed again even after it is interrupted, each diagnosis can be conducted. In this case, the time required for diagnosis may be extended.

### Pattern 3:

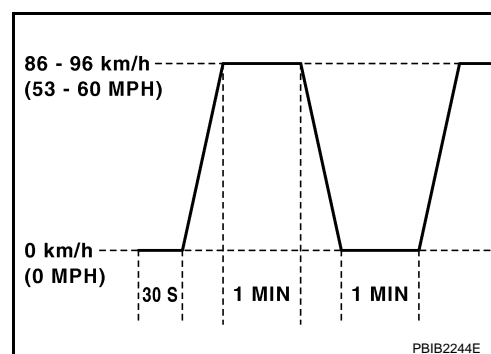
- Operate vehicle following the driving pattern shown in the figure.
- Replace the accelerator pedal during decelerating vehicle speed from 90km/h (56MPH) to 0km/h (0MPH).

### Pattern 4:

- The accelerator pedal must be held very steady during steady-state driving.
- If the accelerator pedal is moved, the test must be conducted all over again.

\*1: Depress the accelerator pedal until vehicle speed is 90 km/h (56 MPH), then release the accelerator pedal and keep it released for more than 10 seconds. Depress the accelerator pedal until vehicle speed is 90 km/h (56 MPH) again.

\*2: Checking the vehicle speed with GST is advised.



## Suggested Transmission Gear Position

Set the selector lever in the D position with the overdrive switch turned ON.

## TEST VALUE AND TEST LIMIT

The following is the information specified in Service \$06 of SAE J1979.

The test value is a parameter used to determine whether a system/circuit diagnostic test is OK or NG while being monitored by the ECM during self-diagnosis. The test limit is a reference value which is specified as the maximum or minimum value and is compared with the test value being monitored.

These data (test value and test limit) are specified by On Board Monitor ID(OBDMID), Test ID (TID), Unit and Scaling ID and can be displayed on the GST screen.

The items of the test value and test limit will be displayed with GST screen which items are provided by the ECM. (e.g., if bank 2 is not applied on this vehicle, only the items of bank 1 are displayed)

# ON BOARD DIAGNOSTIC (OBD) SYSTEM

< FUNCTION DIAGNOSIS >

[VQ40DE]

Item	OBD-MID	Self-diagnostic test item	DTC	Test value and Test limit (GST display)		Description
				TID	Unit and Scaling ID	
HO2S	01H	Air fuel ratio (A/F) sensor 1 (Bank 1)	P0131	83H	0BH	Minimum sensor output voltage for test cycle
			P0131	84H	0BH	Maximum sensor output voltage for test cycle
			P0130	85H	0BH	Minimum sensor output voltage for test cycle
			P0130	86H	0BH	Maximum sensor output voltage for test cycle
			P0133	87H	04H	Response rate: Response ratio (Lean to Rich)
			P0133	88H	04H	Response rate: Response ratio (Rich to Lean)
			P2A00	89H	84H	The amount of shift in air fuel ratio
			P2A00	8AH	84H	The amount of shift in air fuel ratio
			P0130	8BH	0BH	Difference in sensor output voltage
			P0133	8CH	83H	Response gain at the limited frequency
	02H	Heated oxygen sensor 2 (Bank 1)	P0138	07H	0CH	Minimum sensor output voltage for test cycle
			P0137	08H	0CH	Maximum sensor output voltage for test cycle
			P0138	80H	0CH	Sensor output voltage
			P0139	81H	0CH	Difference in sensor output voltage
	03H	Heated oxygen sensor 3 (Bank 1)	P0143	07H	0CH	Minimum sensor output voltage for test cycle
			P0144	08H	0CH	Maximum sensor output voltage for test cycle
			P0146	80H	0CH	Sensor output voltage
			P0145	81H	0CH	Difference in sensor output voltage



# ON BOARD DIAGNOSTIC (OBD) SYSTEM

< FUNCTION DIAGNOSIS >

[VQ40DE]

Item	OBD-MID	Self-diagnostic test item	DTC	Test value and Test limit (GST display)		Description
				TID	Unit and Scaling ID	
HO2S	05H	Air fuel ratio (A/F) sensor 1 (Bank 2)	P0151	83H	0BH	Minimum sensor output voltage for test cycle
			P0151	84H	0BH	Maximum sensor output voltage for test cycle
			P0150	85H	0BH	Minimum sensor output voltage for test cycle
			P0150	86H	0BH	Maximum sensor output voltage for test cycle
			P0153	87H	04H	Response rate: Response ratio (Lean to Rich)
			P0153	88H	04H	Response rate: Response ratio (Rich to Lean)
			P2A03	89H	84H	The amount of shift in air fuel ratio
			P2A03	8AH	84H	The amount of shift in air fuel ratio
			P0150	8BH	0BH	Difference in sensor output voltage
	P0153	8CH	83H	Response gain at the limited frequency		
	06H	Heated oxygen sensor 2 (Bank 2)	P0158	07H	0CH	Minimum sensor output voltage for test cycle
			P0157	08H	0CH	Maximum sensor output voltage for test cycle
			P0158	80H	0CH	Sensor output voltage
P0159			81H	0CH	Difference in sensor output voltage	
07H	Heated oxygen sensor 3 (Bank2)	P0163	07H	0CH	Minimum sensor output voltage for test cycle	
		P0164	08H	0CH	Maximum sensor output voltage for test cycle	
		P0166	80H	0CH	Sensor output voltage	
		P0165	81H	0CH	Difference in sensor output voltage	
CATALYST	21H	Three way catalyst function (Bank1)	P0420	80H	01H	O2 storage index
			P0420	82H	01H	Switching time lag engine exhaust index value
			P2423	83H	0CH	Difference in 3rd O2 sensor output voltage
			P2423	84H	84H	O2 storage index in HC trap catalyst
	22H	Three way catalyst function (Bank2)	P0430	80H	01H	O2 storage index
			P0430	82H	01H	Switching time lag engine exhaust index value
			P2424	83H	0CH	Difference in 3rd O2 sensor output voltage
			P2424	84H	84H	O2 storage index in HC trap catalyst

A

EC

C

D

E

F

G

H

I

J

K

L

M

N

O

P

# ON BOARD DIAGNOSTIC (OBD) SYSTEM

< FUNCTION DIAGNOSIS >

[VQ40DE]

Item	OBD-MID	Self-diagnostic test item	DTC	Test value and Test limit (GST display)		Description
				TID	Unit and Scaling ID	
EGR SYSTEM	31H	EGR function	P0400	80H	96H	Low Flow Faults: EGR temp change rate (short term)
			P0400	81H	96H	Low Flow Faults: EGR temp change rate (long term)
			P0400	82H	96H	Low Flow Faults: Difference between max EGR temp and EGR temp under idling condition
			P0400	83H	96H	Low Flow Faults: Max EGR temp
			P1402	84H	96H	High Flow Faults: EGR temp increase rate
EVAP SYSTEM	39H	EVAP control system leak (Cap Off)	P0455	80H	0CH	Difference in pressure sensor output voltage before and after pull down
	3BH	EVAP control system leak (Small leak)	P0442	80H	05H	Leak area index (for more than 0.04inch)
	3CH	EVAP control system leak (Very small leak)	P0456	80H	05H	Leak area index (for more than 0.02inch)
			P0456	81H	FDH	Maximum internal pressure of EVAP system during monitoring
3DH	Purge flow system	P0441	83H	0CH	Difference in pressure sensor output voltage before and after vent control valve close	
O2 SENSOR HEATER	41H	A/F sensor 1 heater (Bank 1)	Low Input:P0031 High Input:P0032	81H	0BH	Converted value of Heater electric current to voltage
	42H	Heated oxygen sensor 2 heater (Bank 1)	Low Input:P0037 High Input:P0038	80H	0CH	Converted value of Heater electric current to voltage
	43H	Heated oxygen sensor 3 heater (Bank 1)	P0043	80H	0CH	Converted value of Heater electric current to voltage
	45H	A/F sensor 1 heater (Bank 2)	Low Input:P0051 High Input:P0052	81H	0BH	Converted value of Heater electric current to voltage
	46H	Heated oxygen sensor 2 heater (Bank 2)	Low Input:P0057 High Input:P0058	80H	0CH	Converted value of Heater electric current to voltage
	47H	Heated oxygen sensor 3 heater (Bank 2)	P0063	80H	0CH	Converted value of Heater electric current to voltage
SECONDARY AIR	71H	Secondary Air system	P0411	80H	01H	Secondary Air Injection System Incorrect Flow Detected
			Bank1: P0491 Bank2: P0492	81H	01H	Secondary Air Injection System Insufficient Flow
			P2445	82H	01H	Secondary Air Injection System Pump Stuck Off
			P2448	83H	01H	Secondary Air Injection System High Airflow
			Bank1: P2440 Bank2: P2442	84H	01H	Secondary Air Injection System Switching Valve Stuck Open
			P2440	85H	01H	Secondary Air Injection System Switching Valve Stuck Open
			P2444	86H	01H	Secondary Air Injection System Pump Stuck On

# ON BOARD DIAGNOSTIC (OBD) SYSTEM

< FUNCTION DIAGNOSIS >

[VQ40DE]

Item	OBD-MID	Self-diagnostic test item	DTC	Test value and Test limit (GST display)		Description
				TID	Unit and Scaling ID	
FUEL SYSTEM	81H	Fuel injection system function (Bank 1)	P0171 or P0172	80H	2FH	Long term fuel trim
			P0171 or P0172	81H	24H	The number of lambda control clamped
	82H	Fuel injection system function (Bank 2)	P0174 or P0175	80H	2FH	Long term fuel trim
			P0174 or P0175	81H	24H	The number of lambda control clamped
MISFIRE	A1H	Multiple Cylinder Misfire	P0301	80H	24H	Misfiring counter at 1000 revolution of the first cylinder
			P0302	81H	24H	Misfiring counter at 1000 revolution of the second cylinder
			P0303	82H	24H	Misfiring counter at 1000 revolution of the third cylinder
			P0304	83H	24H	Misfiring counter at 1000 revolution of the fourth cylinder
			P0305	84H	24H	Misfiring counter at 1000 revolution of the fifth cylinder
			P0306	85H	24H	Misfiring counter at 1000 revolution of the sixth cylinder
			P0307	86H	24H	Misfiring counter at 1000 revolution of the seventh cylinder
			P0308	87H	24H	Misfiring counter at 1000 revolution of the eighth cylinder
			P0300	88H	24H	Misfiring counter at 1000 revolution of the multiple cylinders
			P0301	89H	24H	Misfiring counter at 200 revolution of the first cylinder
			P0302	8AH	24H	Misfiring counter at 200 revolution of the second cylinder
			P0303	8BH	24H	Misfiring counter at 200 revolution of the third cylinder
			P0304	8CH	24H	Misfiring counter at 200 revolution of the fourth cylinder
			P0305	8DH	24H	Misfiring counter at 200 revolution of the fifth cylinder
			P0306	8EH	24H	Misfiring counter at 200 revolution of the sixth cylinder
			P0307	8FH	24H	Misfiring counter at 200 revolution of the seventh cylinder
			P0308	90H	24H	Misfiring counter at 200 revolution of the eighth cylinder
			P0300	91H	24H	Misfiring counter at 1000 revolution of the single cylinder
			P0300	92H	24H	Misfiring counter at 200 revolution of the single cylinder
			P0300	93H	24H	Misfiring counter at 200 revolution of the multiple cylinders

A  
EC  
C  
D  
E  
F  
G  
H  
I  
J  
K  
L  
M  
N  
O  
P

# ON BOARD DIAGNOSTIC (OBD) SYSTEM

< FUNCTION DIAGNOSIS >

[VQ40DE]

Item	OBD-MID	Self-diagnostic test item	DTC	Test value and Test limit (GST display)		Description
				TID	Unit and Scaling ID	
MISFIRE	A2H	No.1 Cylinder Misfire	P0301	0BH	24H	EWMA (Exponential Weighted Moving Average) misfire counts for last 10 driving cycles
			P0301	0CH	24H	Misfire counts for last/current driving cycles
	A3H	No.2 Cylinder Misfire	P0302	0BH	24H	EWMA (Exponential Weighted Moving Average) misfire counts for last 10 driving cycles
			P0302	0CH	24H	Misfire counts for last/current driving cycles
	A4H	No.3 Cylinder Misfire	P0303	0BH	24H	EWMA (Exponential Weighted Moving Average) misfire counts for last 10 driving cycles
			P0303	0CH	24H	Misfire counts for last/current driving cycles
	A5H	No.4 Cylinder Misfire	P0304	0BH	24H	EWMA (Exponential Weighted Moving Average) misfire counts for last 10 driving cycles
			P0304	0CH	24H	Misfire counts for last/current driving cycles
	A6H	No.5 Cylinder Misfire	P0305	0BH	24H	EWMA (Exponential Weighted Moving Average) misfire counts for last 10 driving cycles
			P0305	0CH	24H	Misfire counts for last/current driving cycles
	A7H	No.6 Cylinder Misfire	P0306	0BH	24H	EWMA (Exponential Weighted Moving Average) misfire counts for last 10 driving cycles
			P0306	0CH	24H	Misfire counts for last/current driving cycles
	A8H	No.7 Cylinder Misfire	P0307	0BH	24H	EWMA (Exponential Weighted Moving Average) misfire counts for last 10 driving cycles
			P0307	0CH	24H	Misfire counts for last/current driving cycles
	A9H	No.8 Cylinder Misfire	P0308	0BH	24H	EWMA (Exponential Weighted Moving Average) misfire counts for last 10 driving cycles
			P0308	0CH	24H	Misfire counts for last/current driving cycles

## HOW TO ERASE EMISSION-RELATED DIAGNOSTIC INFORMATION

How to Erase DTC

### With CONSULT-III

The emission related diagnostic information in the ECM can be erased by selecting “ALL Erase” in the “Description” of “FINAL CHECK” mode with CONSULT-III.

### With GST

The emission related diagnostic information in the ECM can be erased by selecting Service \$04 with GST.

1. If the ignition switch stays ON after repair work, be sure to turn ignition switch OFF once. Wait at least 10 seconds and then turn it ON (engine stopped) again.
2. Perform [TM-34, "OBD-II Diagnostic Trouble Code \(DTC\)"](#). (The DTC in TCM will be erased.)

# ON BOARD DIAGNOSTIC (OBD) SYSTEM

[VQ40DE]

## < FUNCTION DIAGNOSIS >

3. Select Service \$04 with GST (Generic Scan Tool).

### No Tools

1. If the ignition switch stays ON after repair work, be sure to turn ignition switch OFF once. Wait at least 10 seconds and then turn it ON (engine stopped) again.
2. Perform [TM-34. "OBD-II Diagnostic Trouble Code \(DTC\)"](#). (The DTC in TCM will be erased.)
3. Change the diagnostic test mode from Mode II to Mode I by depressing the accelerator pedal. Refer to [EC-65. "Malfunction Indicator Lamp \(MIL\)"](#).

• If the battery is disconnected, the emission-related diagnostic information will be lost within 24 hours.

• The following data are cleared when the ECM memory is erased.

- Diagnostic trouble codes
- 1st trip diagnostic trouble codes
- Freeze frame data
- 1st trip freeze frame data
- System readiness test (SRT) codes
- Test values

Actual work procedures are explained using a DTC as an example. Be careful so that not only the DTC, but all of the data listed above, are cleared from the ECM memory during work procedures.

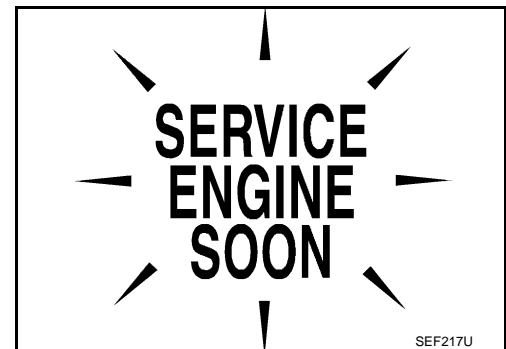
## Malfunction Indicator Lamp (MIL)

INFOID:000000004297259

### DESCRIPTION

The MIL is located on the instrument panel.

1. The MIL will illuminate when the ignition switch is turned ON without the engine running. This is a bulb check. If the MIL does not illuminate, refer to [GI-45. "Work Flow"](#).
2. When the engine is started, the MIL should turn off. If the MIL remains on, the on board diagnostic system has detected an engine system malfunction.







### ON BOARD DIAGNOSTIC SYSTEM FUNCTION

The on board diagnostic system has the following three functions.

# ON BOARD DIAGNOSTIC (OBD) SYSTEM

< FUNCTION DIAGNOSIS >

[VQ40DE]

Diagnostic Test Mode	KEY and ENG. Status	Function	Explanation of Function
Mode I	Ignition switch in ON position  Engine stopped	BULB CHECK	This function checks the MIL bulb for damage (blown, open circuit, etc.). If the MIL does not come on, check MIL circuit.
	Engine running 	MALFUNCTION WARNING	When a malfunction is detected twice in two consecutive driving cycles (two trip detection logic), the MIL will illuminate to inform the driver that a malfunction has been detected. The following malfunctions will illuminate or blink the MIL in the 1st trip. <ul style="list-style-type: none"> <li>• Misfire (Possible three way catalyst damage)</li> <li>• One trip detection diagnoses</li> </ul>
Mode II	Ignition switch in ON position  Engine stopped 	SELF-DIAGNOSTIC RESULTS	This function allows DTCs and 1st trip DTCs to be read.

When there is an open circuit on MIL circuit, the ECM cannot warn the driver by illuminating MIL when there is malfunction on engine control system.

Therefore, when electrical controlled throttle and part of ECM related diagnoses are continuously detected as NG for 5 trips, ECM warns the driver that engine control system malfunctions and MIL circuit is open by means of operating fail-safe function.

The fail-safe function also operates when above diagnoses except MIL circuit are detected and demands the driver to repair the malfunction.

Engine operating condition in fail-safe mode	Engine speed will not rise more than 2,500 rpm due to the fuel cut
--	--

### MIL blinking Without DTC

When any SRT codes are not set, MIL may blink without DTC. For the details, refer to [EC-456. "DTC Index"](#).

### HOW TO SWITCH DIAGNOSTIC TEST MODE

#### NOTE:

- It is better to count the time accurately with a clock.
- It is impossible to switch the diagnostic mode when an accelerator pedal position sensor circuit has a malfunction.
- ECM always returns to Diagnostic Test Mode I after the ignition switch is turned OFF.

#### How to Set Diagnostic Test Mode II (Self-diagnostic Results)

1. Confirm that accelerator pedal is fully released, turn ignition switch ON and wait 3 seconds.
2. Repeat the following procedure quickly five times within 5 seconds.
  - a. Fully depress the accelerator pedal.
  - b. Fully release the accelerator pedal.
3. Wait 7 seconds, fully depress the accelerator pedal and keep it depressed for approx. 10 seconds until the MIL starts blinking.

#### NOTE:

**Do not release the accelerator pedal for 10 seconds if MIL starts blinking during this period. This blinking is displaying SRT status and is continued for another 10 seconds. For the details, refer to [EC-456. "DTC Index"](#).**

# ON BOARD DIAGNOSTIC (OBD) SYSTEM

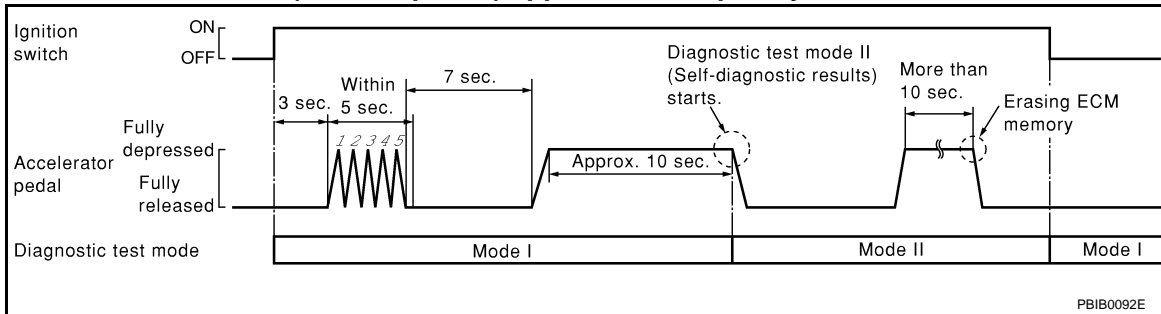
< FUNCTION DIAGNOSIS >

[VQ40DE]

- Fully release the accelerator pedal.  
ECM has entered to Diagnostic Test Mode II (Self-diagnostic results).

**NOTE:**

**Wait until the same DTC (or 1st trip DTC) appears to completely confirm all DTCs.**



### How to Erase Diagnostic Test Mode II (Self-diagnostic Results)

- Set ECM in Diagnostic Test Mode II (Self-diagnostic results). Refer to "How to Set Diagnostic Test Mode II (Self-diagnostic Results)".
- Fully depress the accelerator pedal and keep it depressed for more than 10 seconds.  
The emission-related diagnostic information has been erased from the backup memory in the ECM.
- Fully release the accelerator pedal, and confirm the DTC 0000 is displayed.

### DIAGNOSTIC TEST MODE I — BULB CHECK

In this mode, the MIL on the instrument panel should stay ON. If it remains OFF, check the bulb. Refer to [GI-45. "Work Flow"](#)

### DIAGNOSTIC TEST MODE I — MALFUNCTION WARNING

MIL	Condition
ON	When the malfunction is detected.
OFF	No malfunction.

This DTC number is clarified in Diagnostic Test Mode II (SELF-DIAGNOSTIC RESULTS)

### DIAGNOSTIC TEST MODE II — SELF-DIAGNOSTIC RESULTS

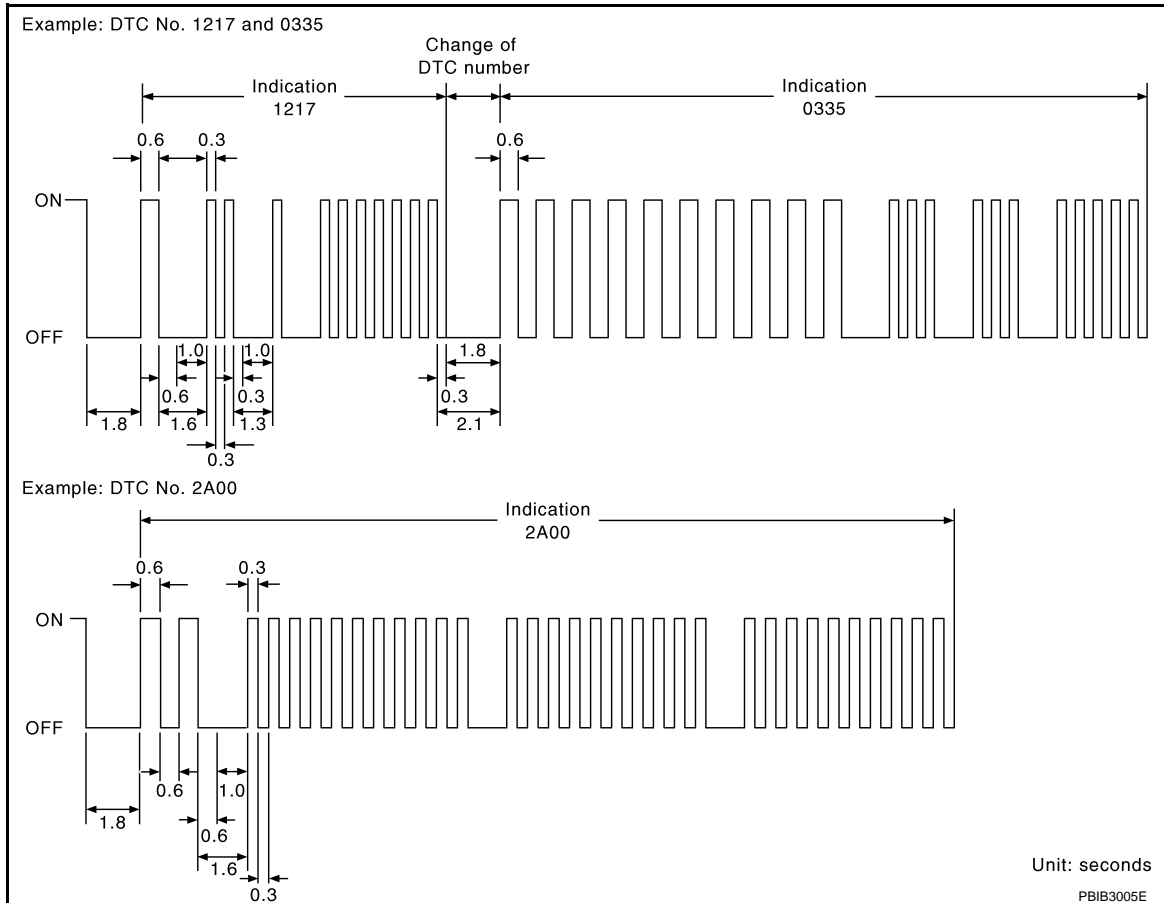
In this mode, the DTC and 1st trip DTC are indicated by the number of blinks of the MIL as shown below. The DTC and 1st trip DTC are displayed at the same time. If the MIL does not illuminate in diagnostic test mode I (Malfunction warning), all displayed items are 1st trip DTCs. If only one code is displayed when the MIL illuminates in diagnostic test mode II (SELF-DIAGNOSTIC RESULTS), it is a DTC; if two or more codes are displayed, they may be either DTCs or 1st trip DTCs. DTC No. is same as that of 1st trip DTC. These uniden-

# ON BOARD DIAGNOSTIC (OBD) SYSTEM

[VQ40DE]

## < FUNCTION DIAGNOSIS >

tified codes can be identified by using the CONSULT-III or GST. A DTC will be used as an example for how to read a code.



A particular trouble code can be identified by the number of four-digit numeral blinks. The "zero" is indicated by the number of ten blinks. The "A" is indicated by the number of eleven blink. The length of time the 1,000th-digit numeral blinks on and off is 1.2 seconds consisting of an ON (0.6-seconds) - OFF (0.6-seconds) cycle. The 100th-digit numeral and lower digit numerals consist of a 0.3-seconds ON and 0.3-seconds OFF cycle. A change from one digit numeral to another occurs at an interval of 1.0-second OFF. In other words, the later numeral appears on the display 1.3 seconds after the former numeral has disappeared. A change from one trouble code to another occurs at an interval of 1.8-seconds OFF. In this way, all the detected malfunctions are classified by their DTC numbers. The DTC 0000 refers to no malfunction. (See [EC-456, "DTC Index"](#))

### How to Erase Diagnostic Test Mode II (Self-diagnostic Results)

The DTC can be erased from the back up memory in the ECM by depressing accelerator pedal. Refer to "How to Set Diagnostic Test Mode II (Self-diagnostic Results)".

- If the battery is disconnected, the DTC will be lost from the backup memory within 24 hours.
- Be careful not to erase the saved memory before starting trouble diagnoses.

## OBD System Operation Chart

INFOID:000000004297260

### RELATIONSHIP BETWEEN MIL, 1ST TRIP DTC, DTC, AND DETECTABLE ITEMS

- When a malfunction is detected for the first time, the 1st trip DTC and the 1st trip freeze frame data are saved in the ECM memory.
- When the same malfunction is detected in two consecutive trips, the DTC and the freeze frame data are saved in the ECM memory, and the MIL will come on. For details, refer to [EC-52, "Two Trip Detection Logic"](#).
- The MIL will turn off after the vehicle is driven 3 times with no malfunction. A drive is counted only when the recorded driving pattern is met (as saved in the ECM). If another malfunction occurs while counting, the counter will reset.
- The DTC and the freeze frame data will be saved until the vehicle is driven 40 times (driving pattern A) without the same malfunction recurring (except for Misfire and Fuel Injection System). For Misfire and Fuel Injection System, the DTC and freeze frame data will be saved until the vehicle is driven 80 times (driving pattern



# ON BOARD DIAGNOSTIC (OBD) SYSTEM

[VQ40DE]

## < FUNCTION DIAGNOSIS >

C) without the same malfunction recurring. The "TIME" in "SELF-DIAGNOSTIC RESULTS" mode of CONSULT-III will count the number of times the vehicle is driven.

- The 1st trip DTC is not displayed when the self-diagnosis results in OK for the 2nd trip.

## SUMMARY CHART

Items	Fuel Injection System	Misfire	Other
MIL (turns off)	3 (pattern B)	3 (pattern B)	3 (pattern B)
DTC, Freeze Frame Data (no display)	80 (pattern C)	80 (pattern C)	40 (pattern A)
1st Trip DTC (clear)	1 (pattern C), *1	1 (pattern C), *1	1 (pattern B)
1st Trip Freeze Frame Data (clear)	*1, *2	*1, *2	1 (pattern B)

For details about patterns B and C under "Fuel Injection System" and "Misfire", see "EXPLANATION FOR DRIVING PATTERNS FOR "MISFIRE <EXHAUST QUALITY DETERIORATION>", "FUEL INJECTION SYSTEM".

For details about patterns A and B under Other, see "EXPLANATION FOR DRIVING PATTERNS FOR "MISFIRE <EXHAUST QUALITY DETERIORATION>", "FUEL INJECTION SYSTEM".

\*1: Clear timing is at the moment OK is detected.

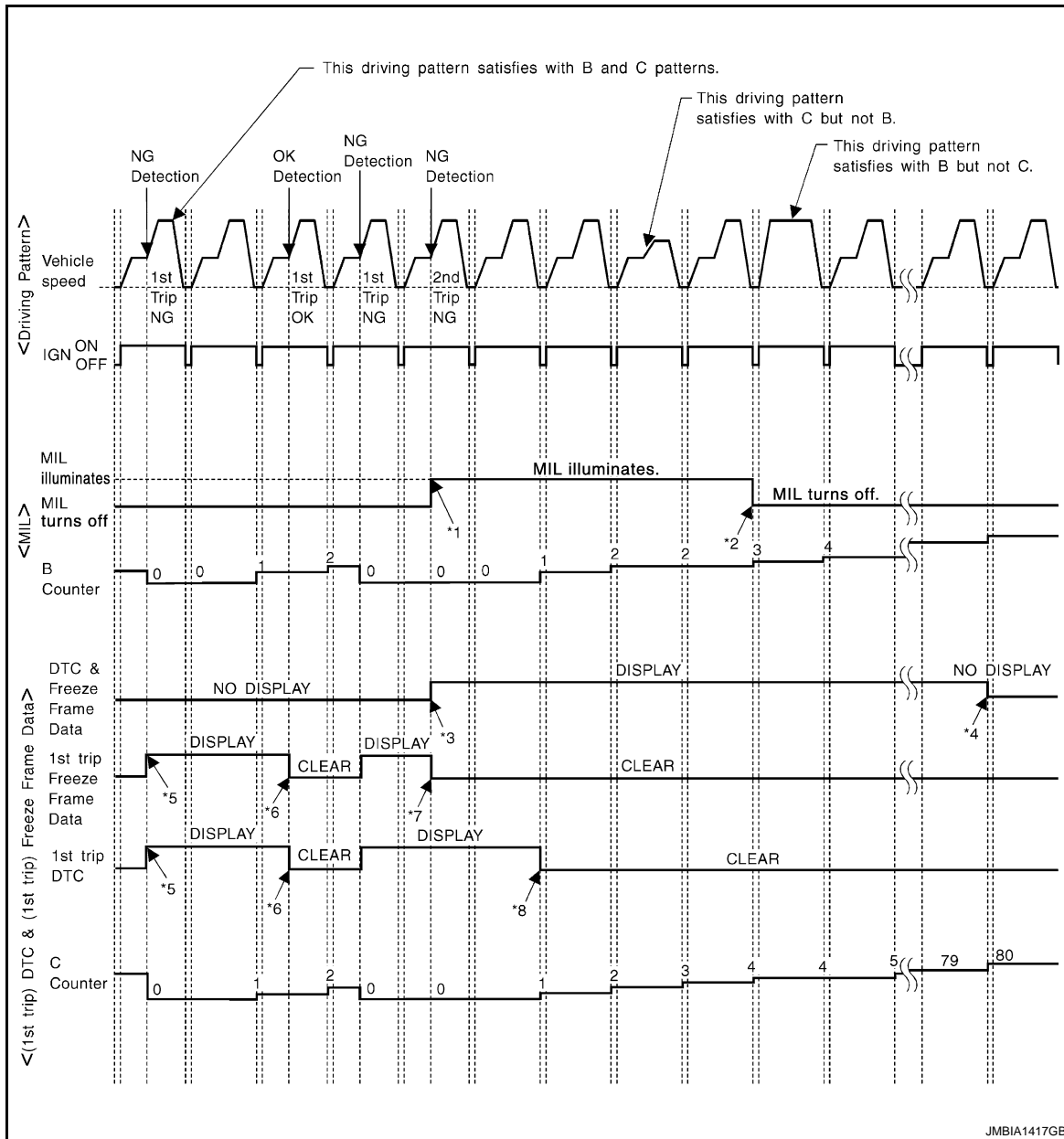
\*2: Clear timing is when the same malfunction is detected in the 2nd trip.

## RELATIONSHIP BETWEEN MIL, DTC, 1ST TRIP DTC AND DRIVING PATTERNS FOR "MISFIRE " <EXHAUST QUALITY DETERIORATION>, "FUEL INJECTION SYSTEM"

# ON BOARD DIAGNOSTIC (OBD) SYSTEM

< FUNCTION DIAGNOSIS >

[VQ40DE]



\*1: When the same malfunction is detected in two consecutive trips, MIL will illuminate.

\*2: MIL will turn off after vehicle is driven 3 times (pattern B) without any malfunctions.

\*3: When the same malfunction is detected in two consecutive trips, the DTC and the freeze frame data will be saved in ECM.

\*4: The DTC and the freeze frame data will not be displayed any longer after vehicle is driven 80 times (pattern C) without the same malfunction. (The DTC and the freeze frame data still remain in ECM.)

\*5: When a malfunction is detected for the first time, the 1st trip DTC and the 1st trip freeze frame data will be saved in ECM.

\*6: The 1st trip DTC and the 1st trip freeze frame data will be cleared at the moment OK is detected.

\*7: When the same malfunction is detected in the 2nd trip, the 1st trip freeze frame data will be cleared.

\*8: 1st trip DTC will be cleared when vehicle is driven once (pattern C) without the same malfunction after DTC is saved in ECM.

EXPLANATION FOR DRIVING PATTERNS FOR "MISFIRE <EXHAUST QUALITY DETERIORATION>", "FUEL INJECTION SYSTEM"

<Driving Pattern B>

Driving pattern B means the vehicle operation as par the following:

**EC-70**

# ON BOARD DIAGNOSTIC (OBD) SYSTEM

[VQ40DE]

## < FUNCTION DIAGNOSIS >

All components and systems should be monitored at least once by the OBD system.

- The B counter will be cleared when the malfunction is detected once regardless of the driving pattern.
- The B counter will be counted up when driving pattern B is satisfied without any malfunction.
- The MIL will turn off when the B counter reaches 3. (\*2 in "OBD SYSTEM OPERATION CHART")

### <Driving Pattern C>

Driving pattern C means the operating vehicle as par the following:

The following conditions should be satisfied at the same time:

Engine speed: (Engine speed in the freeze frame data)  $\pm 375$  rpm

Calculated load value: (Calculated load value in the freeze frame data)  $\times (1 \pm 0.1)$  [%]

Engine coolant temperature (T) condition:

- When the freeze frame data shows lower than 70°C (158°F), T should be lower than 70°C (158°F).
- When the freeze frame data shows higher than or equal to 70°C (158°F), T should be higher than or equal to 70°C (158°F).

Example:

If the saved freeze frame data is as par the following:

Engine speed: 850 rpm, Calculated load value: 30%, Engine coolant temperature: 80°C (176°F)

To be satisfied with driving pattern C, the vehicle should run under the following conditions:

Engine speed: 475 - 1,225 rpm, Calculated load value: 27 - 33%, Engine coolant temperature: more than 70°C (158°F)

- The C counter will be cleared when the malfunction is detected regardless of vehicle conditions above.
- The C counter will be counted up when vehicle conditions above are satisfied without the same malfunction.
- The DTC will not be displayed after C counter reaches 80.
- The 1st trip DTC will be cleared when C counter is counted once without the same malfunction after DTC is saved in ECM.

RELATIONSHIP BETWEEN MIL, DTC, 1ST TRIP DTC AND DRIVING PATTERNS EXCEPT FOR "MISFIRE <EXHAUST QUALITY DETERIORATION>", "FUEL INJECTION SYSTEM"

A

EC

C

D

E

F

G

H

I

J

K

L

M

N

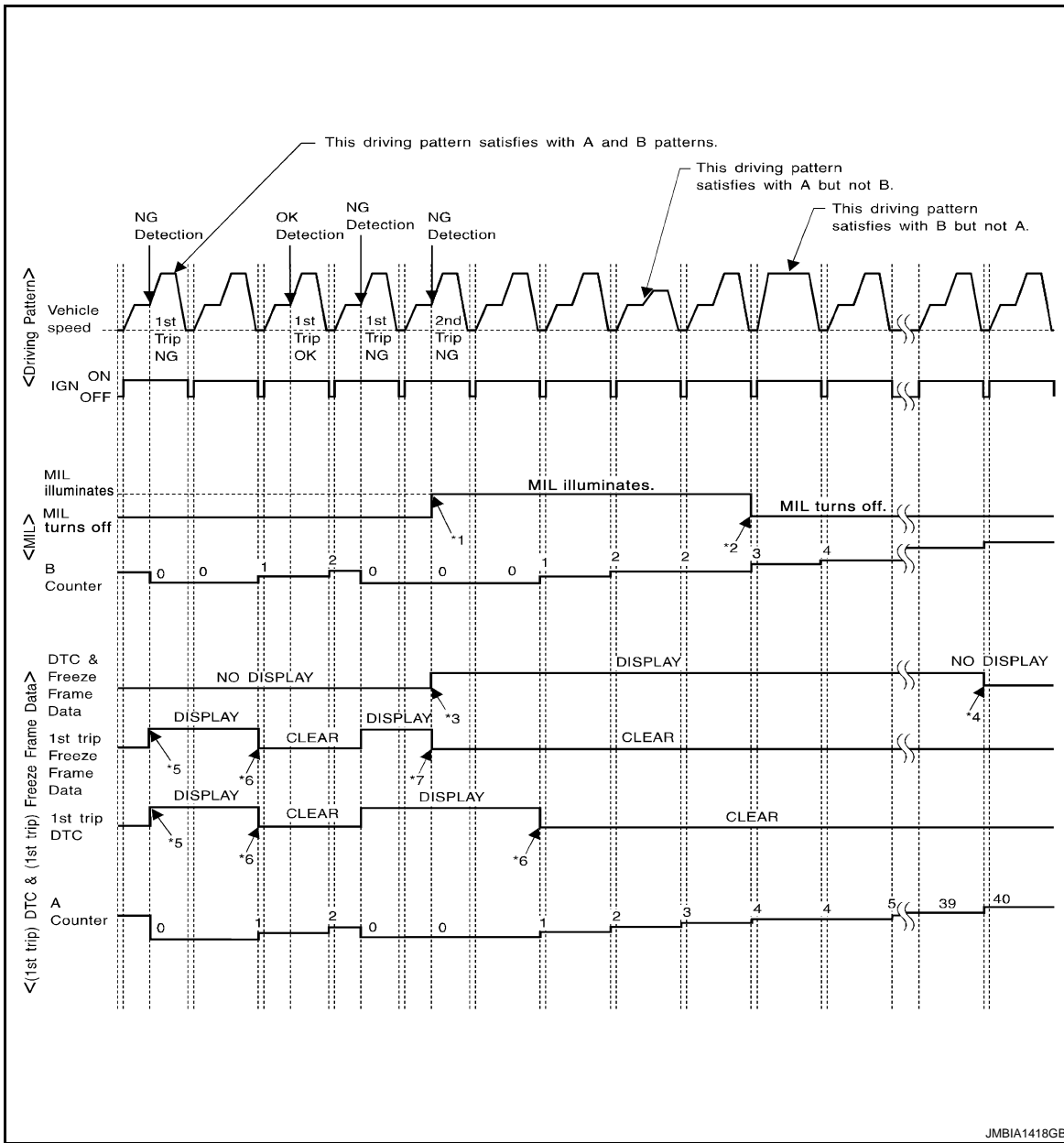
O

P

# ON BOARD DIAGNOSTIC (OBD) SYSTEM

< FUNCTION DIAGNOSIS >

[VQ40DE]



\*1: When the same malfunction is detected in two consecutive trips, MIL will illuminate.

\*2: MIL will turn off after vehicle is driven 3 times (pattern B) without any malfunctions.

\*3: When the same malfunction is detected in two consecutive trips, the DTC and the freeze frame data will be saved in ECM.

\*4: The DTC and the freeze frame data will not be displayed any longer after vehicle is driven 40 times (pattern A) without the same malfunction. (The DTC and the freeze frame data still remain in ECM.)

\*5: When a malfunction is detected for the first time, the 1st trip DTC and the 1st trip freeze frame data will be saved in ECM.

\*6: 1st trip DTC will be cleared after vehicle is driven once (pattern B) without the same malfunction.

\*7: When the same malfunction is detected in the 2nd trip, the 1st trip freeze frame data will be cleared.

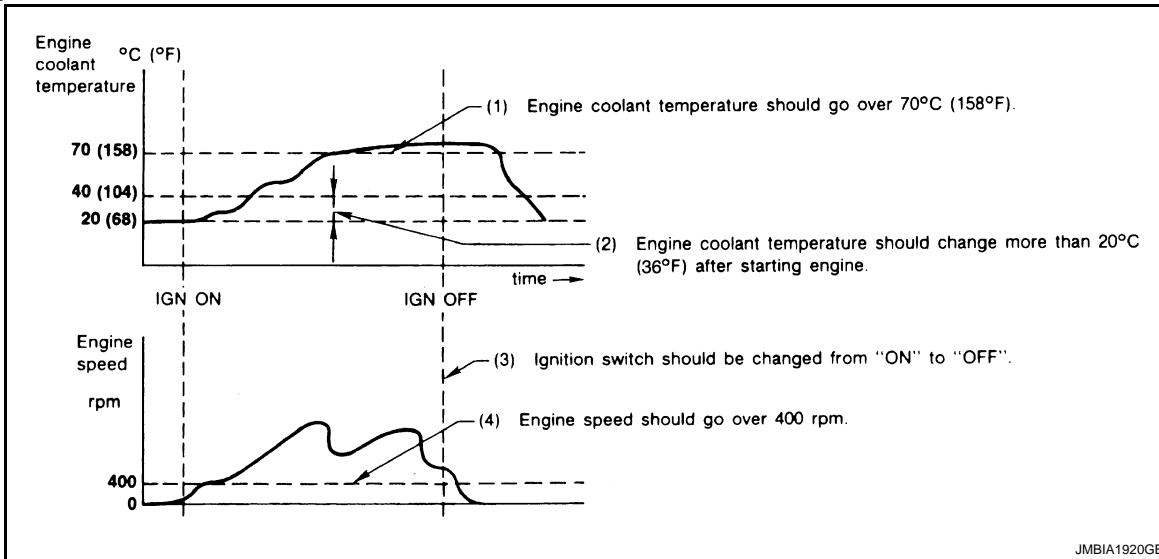
EXPLANATION FOR DRIVING PATTERNS EXCEPT FOR "MISFIRE <EXHAUST QUALITY DETERIORATION>", "FUEL INJECTION SYSTEM"

# ON BOARD DIAGNOSTIC (OBD) SYSTEM

< FUNCTION DIAGNOSIS >

[VQ40DE]

<Driving Pattern A>



- The A counter will be cleared when the malfunction is detected regardless of (1) - (4).
- The A counter will be counted up when (1) - (4) are satisfied without the same malfunction.
- The DTC will not be displayed after the A counter reaches 40.

<Driving Pattern B>

Driving pattern B means operating vehicle as per the following:

All components and systems should be monitored at least once by the OBD system.

- The B counter will be cleared when the malfunction is detected once regardless of the driving pattern.
- The B counter will be counted up when driving pattern B is satisfied without any malfunctions.
- The MIL will turn off when the B counter reaches 3 (\*2 in OBD SYSTEM OPERATION CHART).

## CONSULT-III Function (ENGINE)

INFOID:000000004297261

### FUNCTION

Diagnostic test mode	Function
Work support	This mode enables a technician to adjust some devices faster and more accurately by following the indications on the CONSULT-III unit.
Self-diagnostic results	Self-diagnostic results such as 1st trip DTC, DTCs and 1st trip freeze frame data or freeze frame data can be read and erased quickly.*
Data monitor	Input/Output data in the ECM can be read.
Active test	Diagnostic Test Mode in which CONSULT-III drives some actuators apart from the ECMs and also shifts some parameters in a specified range.
Function test	This mode is used to inform customers when the vehicle requires periodic maintenance.
DTC & SRT confirmation	The status of system monitoring tests and the self-diagnosis status/results can be confirmed.
ECU part number	ECM part number can be read.

\*: The following emission-related diagnostic information is cleared when the ECM memory is erased.

- Diagnostic trouble codes
- 1st trip diagnostic trouble codes
- Freeze frame data
- 1st trip freeze frame data
- System readiness test (SRT) codes
- Test values

## ENGINE CONTROL COMPONENT PARTS/CONTROL SYSTEMS APPLICATION

# ON BOARD DIAGNOSTIC (OBD) SYSTEM

< FUNCTION DIAGNOSIS >

[VQ40DE]

Item		DIAGNOSTIC TEST MODE						
		WORK SUPPORT	SELF-DIAGNOSTIC RESULTS		DATA MONITOR	ACTIVE TEST	DTC & SRT CONFIRMATION	
			DTC*1	FREEZE FRAME DATA*2			SRT STATUS	DTC WORK SUPPORT
ENGINE CONTROL COMPONENT PARTS	INPUT	Crankshaft position sensor (POS)	×	×	×			
	Camshaft position sensor (PHASE)	×	×	×				
	Mass air flow sensor	×		×				
	Engine coolant temperature sensor	×	×	×	×			
	Air fuel ratio (A/F) sensor 1	×		×		×	×	
	Heated oxygen sensor 2	×		×		×	×	
	Wheel sensor	×	×	×				
	Accelerator pedal position sensor	×		×				
	Throttle position sensor	×	×	×				
	Fuel tank temperature sensor	×		×	×			
	EVAP control system pressure sensor	×		×				
	Intake air temperature sensor	×	×	×				
	Knock sensor	×						
	Refrigerant pressure sensor				×			
	Closed throttle position switch (accelerator pedal position sensor signal)				×			
	Air conditioner switch				×			
	Park/neutral position (PNP) switch	×			×			
	Stop lamp switch	×			×			
	Power steering pressure sensor	×			×			
	Battery voltage				×			
	Load signal				×			
	Fuel level sensor	×			×			
Battery current sensor	×			×				
ASCD steering switch	×			×				
ASCD brake switch	×			×				

# ON BOARD DIAGNOSTIC (OBD) SYSTEM

< FUNCTION DIAGNOSIS >

[VQ40DE]

Item		DIAGNOSTIC TEST MODE						
		WORK SUPPORT	SELF-DIAGNOSTIC RESULTS		DATA MONITOR	ACTIVE TEST	DTC & SRT CONFIRMATION	
			DTC*1	FREEZE FRAME DATA*2			SRT STATUS	DTC WORK SUPPORT
ENGINE CONTROL COMPONENT PARTS	OUTPUT	Fuel injector			×	×		
	Power transistor (Ignition timing)				×	×		
	Throttle control motor relay		×		×			
	Throttle control motor		×					
	EVAP canister purge volume control solenoid valve		×		×	×		×
	Air conditioner relay				×			
	Fuel pump relay	×			×	×		
	Cooling fan relay		×		×	×		
	Air fuel ratio (A/F) sensor 1 heater		×		×		×*3	
	Heated oxygen sensor 2 heater		×		×		×*3	
	EVAP canister vent control valve	×	×		×	×		
	Intake valve timing control solenoid valve		×		×	×		
	VIAS control solenoid valve		×		×	×		
	Alternator				×	×		
Calculated load value			×	×				

X: Applicable

\*1: This item includes 1st trip DTCs.

\*2: This mode includes 1st trip freeze frame data or freeze frame data. The items appear on CONSULT-III screen in freeze frame data mode only if a 1st trip DTC or DTC is detected. For details, refer to "Freeze Frame Data and 1st Trip Freeze Frame Data".

\*3: Always "CMPLT" is displayed.

## WORK SUPPORT MODE

Work Item

WORK ITEM	CONDITION	USAGE
FUEL PRESSURE RELEASE	<ul style="list-style-type: none"> <li>FUEL PUMP WILL STOP BY TOUCHING "START" DURING IDLING. CRANK A FEW TIMES AFTER ENGINE STALLS.</li> </ul>	When releasing fuel pressure from fuel line
IDLE AIR VOL LEARN	<ul style="list-style-type: none"> <li>THE IDLE AIR VOLUME THAT KEEPS THE ENGINE WITHIN THE SPECIFIED RANGE IS MEMORIZED IN ECM.</li> </ul>	When learning the idle air volume
SELF-LEARNING CONT	<ul style="list-style-type: none"> <li>THE COEFFICIENT OF SELF-LEARNING CONTROL MIXTURE RATIO RETURNS TO THE ORIGINAL COEFFICIENT.</li> </ul>	When clearing the coefficient of self-learning control value

# ON BOARD DIAGNOSTIC (OBD) SYSTEM

< FUNCTION DIAGNOSIS >

[VQ40DE]

WORK ITEM	CONDITION	USAGE
EVAP SYSTEM CLOSE	<p>CLOSE THE EVAP CANISTER VENT CONTROL VALVE IN ORDER TO MAKE EVAP SYSTEM CLOSE UNDER THE FOLLOWING CONDITIONS.</p> <ul style="list-style-type: none"> <li>• IGN SW ON</li> <li>• ENGINE NOT RUNNING</li> <li>• AMBIENT TEMPERATURE IS ABOVE 0°C (32°F).</li> <li>• NO VACUUM AND NO HIGH PRESSURE IN EVAP SYSTEM</li> <li>• FUEL TANK TEMP. IS MORE THAN 0°C (32°F).</li> <li>• WITHIN 10 MINUTES AFTER STARTING "EVAP SYSTEM CLOSE"</li> <li>• WHEN TRYING TO EXECUTE "EVAP SYSTEM CLOSE" UNDER THE CONDITION EXCEPT ABOVE, CONSULT-III WILL DISCONTINUE IT AND DISPLAY APPROPRIATE INSTRUCTION.</li> </ul> <p><b>NOTE:</b>  <b>WHEN STARTING ENGINE, CONSULT-III MAY DISPLAY "BATTERY VOLTAGE IS LOW. CHARGE BATTERY", EVEN WHEN USING A CHARGED BATTERY.</b></p>	When detecting EVAP vapor leak in the EVAP system
VIN REGISTRATION	<ul style="list-style-type: none"> <li>• IN THE MODE, VIN IS REGISTERED IN ECM.</li> </ul>	When registering VIN in ECM
TARGET IDLE RPM ADJ*	<ul style="list-style-type: none"> <li>• IDLE CONDITION</li> </ul>	When setting target idle speed
TARGET IGN TIM ADJ*	<ul style="list-style-type: none"> <li>• IDLE CONDITION</li> </ul>	When adjusting target ignition timing

\*: This function is not necessary in the usual service procedure.

## SELF-DIAG RESULTS MODE

Self Diagnostic Item

Regarding items of DTC and 1st trip DTC, refer to [EC-456, "DTC Index"](#).

Freeze Frame Data and 1st Trip Freeze Frame Data

Freeze frame data item*	Description
DIAG TROUBLE CODE [PXXXX]	<ul style="list-style-type: none"> <li>• The engine control component part/control system has a trouble code, that is displayed as PXXXX. (Refer to <a href="#">EC-456, "DTC Index"</a>.)</li> </ul>
FUEL SYS-B1	<ul style="list-style-type: none"> <li>• "Fuel injection system status" at the moment a malfunction is detected is displayed.</li> <li>• One of in the following mode is displayed.  Mode2: Open loop due to detected system malfunction  Mode3: Open loop due to driving conditions (power enrichment, deceleration enrichment)  Mode4: Closed loop - using oxygen sensor(s) as feedback for fuel control  Mode5: Open loop - has not yet satisfied condition to go to closed loop</li> </ul>
FUEL SYS-B2	
CAL/LD VALUE [%]	<ul style="list-style-type: none"> <li>• The calculated load value at the moment a malfunction is detected is displayed.</li> </ul>
COOLANT TEMP [°C] or [°F]	<ul style="list-style-type: none"> <li>• The engine coolant temperature at the moment a malfunction is detected is displayed.</li> </ul>
L-FUEL TRM-B1 [%]	<ul style="list-style-type: none"> <li>• "Long-term fuel trim" at the moment a malfunction is detected is displayed.</li> <li>• The long-term fuel trim indicates much more gradual feedback compensation to the base fuel schedule than short-term fuel trim.</li> </ul>
L-FUEL TRM-B2 [%]	
S-FUEL TRM-B1 [%]	<ul style="list-style-type: none"> <li>• "Short-term fuel trim" at the moment a malfunction is detected is displayed.</li> <li>• The short-term fuel trim indicates dynamic or instantaneous feedback compensation to the base fuel schedule.</li> </ul>
S-FUEL TRM-B2 [%]	
ENGINE SPEED [rpm]	<ul style="list-style-type: none"> <li>• The engine speed at the moment a malfunction is detected is displayed.</li> </ul>
VEHICL SPEED [km/h] or [mph]	<ul style="list-style-type: none"> <li>• The vehicle speed at the moment a malfunction is detected is displayed.</li> </ul>
ABSOL TH-P/S [%]	<ul style="list-style-type: none"> <li>• The throttle valve opening angle at the moment a malfunction is detected is displayed.</li> </ul>
B/FUEL SCHDL [msec]	<ul style="list-style-type: none"> <li>• The base fuel schedule at the moment a malfunction is detected is displayed.</li> </ul>



# ON BOARD DIAGNOSTIC (OBD) SYSTEM

< FUNCTION DIAGNOSIS >

[VQ40DE]

Freeze frame data item*	Description
INT/A TEMP SE [°C] or [°F]	<ul style="list-style-type: none"> <li>The intake air temperature at the moment a malfunction is detected is displayed.</li> </ul>
INT MANI PRES [kPa]	<ul style="list-style-type: none"> <li>Always a certain value is displayed.</li> </ul>
COMBUST CONDI-TION	<ul style="list-style-type: none"> <li>These items are displayed but are not applicable to this model.</li> </ul>

\*: The items are the same as those of 1st trip freeze frame data.

## DATA MONITOR MODE

### Monitored Item

x: Applicable

Monitored item	Unit	Description	Remarks
ENG SPEED	rpm	<ul style="list-style-type: none"> <li>Indicates the engine speed computed from the signal of the crankshaft position sensor (POS) and camshaft position sensor (PHASE).</li> </ul>	<ul style="list-style-type: none"> <li>Accuracy becomes poor if engine speed drops below the idle rpm.</li> <li>If the signal is interrupted while the engine is running, an abnormal value may be indicated.</li> </ul>
MAS A/F SE-B1	V	<ul style="list-style-type: none"> <li>The signal voltage of the mass air flow sensor is displayed.</li> </ul>	<ul style="list-style-type: none"> <li>When the engine is stopped, a certain value is indicated.</li> <li>When engine is running specification range is indicated in "SPEC".</li> </ul>
B/FUEL SCHDL	msec	<ul style="list-style-type: none"> <li>"Base fuel schedule" indicates the fuel injection pulse width programmed into ECM, prior to any learned on board correction.</li> </ul>	<ul style="list-style-type: none"> <li>When engine is running specification range is indicated in "SPEC".</li> </ul>
A/F ALPHA-B1	%	<ul style="list-style-type: none"> <li>The mean value of the air-fuel ratio feedback correction factor per cycle is indicated.</li> </ul>	<ul style="list-style-type: none"> <li>When the engine is stopped, a certain value is indicated.</li> <li>When engine is running specification range is indicated in "SPEC".</li> <li>This data also includes the data for the air-fuel ratio learning control.</li> </ul>
A/F ALPHA-B2	%		
COOLAN TEMP/S	°C or °F	<ul style="list-style-type: none"> <li>The engine coolant temperature (determined by the signal voltage of the engine coolant temperature sensor) is displayed.</li> </ul>	<ul style="list-style-type: none"> <li>When the engine coolant temperature sensor is open or short-circuited, ECM enters fail-safe mode. The engine coolant temperature determined by the ECM is displayed.</li> </ul>
A/F SEN1 (B1)	V	<ul style="list-style-type: none"> <li>The A/F signal computed from the input signal of the Air fuel ratio (A/F) sensor 1 is displayed.</li> </ul>	
A/F SEN1 (B2)	V		
HO2S2 (B1)	V	<ul style="list-style-type: none"> <li>The signal voltage of the heated oxygen sensor 2 is displayed.</li> </ul>	
HO2S2 (B2)	V		
HO2S2 MNTR (B1)	RICH/LEAN	<ul style="list-style-type: none"> <li>Display of heated oxygen sensor 2 signal: RICH: Means the amount of oxygen after three way catalyst is relatively small. LEAN: Means the amount of oxygen after three way catalyst is relatively large.</li> </ul>	<ul style="list-style-type: none"> <li>When the engine is stopped, a certain value is indicated.</li> </ul>
HO2S2 MNTR (B2)	RICH/LEAN		
VHCL SPEED SE	km/h or mph	<ul style="list-style-type: none"> <li>The vehicle speed computed from the vehicle speed signal sent from combination meter is displayed.</li> </ul>	
BATTERY VOLT	V	<ul style="list-style-type: none"> <li>The power supply voltage of ECM is displayed.</li> </ul>	
ACCEL SEN 1	V	<ul style="list-style-type: none"> <li>The accelerator pedal position sensor signal voltage is displayed.</li> </ul>	<ul style="list-style-type: none"> <li>ACCEL SEN 2 signal is converted by ECM internally. Thus, it differs from ECM terminal voltage signal.</li> </ul>
ACCEL SEN 2	V		
TP SEN 1-B1	V	<ul style="list-style-type: none"> <li>The throttle position sensor signal voltage is displayed.</li> </ul>	<ul style="list-style-type: none"> <li>THRTL SEN 2 signal is converted by ECM internally. Thus, it differs from ECM terminal voltage signal.</li> </ul>
TP SEN 2-B1	V		

# ON BOARD DIAGNOSTIC (OBD) SYSTEM

< FUNCTION DIAGNOSIS >

[VQ40DE]

Monitored item	Unit	Description	Remarks
FUEL T/TMP SE	°C or °F	<ul style="list-style-type: none"> <li>The fuel temperature (determined by the signal voltage of the fuel tank temperature sensor) is displayed.</li> </ul>	
INT/A TEMP SE	°C or °F	<ul style="list-style-type: none"> <li>The intake air temperature (determined by the signal voltage of the intake air temperature sensor) is indicated.</li> </ul>	
EVAP SYS PRES	V		
FUEL LEVEL SE	V		
START SIGNAL	ON/OFF	<ul style="list-style-type: none"> <li>Indicates start signal status [ON/OFF] computed by the ECM according to the signals of engine speed and battery voltage.</li> </ul>	<ul style="list-style-type: none"> <li>After starting the engine, [OFF] is displayed regardless of the starter signal.</li> </ul>
CLSD THL POS	ON/OFF	<ul style="list-style-type: none"> <li>Indicates idle position [ON/OFF] computed by ECM according to the accelerator pedal position sensor signal.</li> </ul>	
AIR COND SIG	ON/OFF	<ul style="list-style-type: none"> <li>Indicates [ON/OFF] condition of the air conditioner switch as determined by the air conditioner signal.</li> </ul>	
P/N POSI SW	ON/OFF	<ul style="list-style-type: none"> <li>Indicates [ON/OFF] condition from the park/neutral position (PNP) switch signal.</li> </ul>	
PW/ST SIGNAL	ON/OFF	<ul style="list-style-type: none"> <li>[ON/OFF] condition of the power steering system (determined by the signal voltage of the power steering pressure sensor signal) is indicated.</li> </ul>	
LOAD SIGNAL	ON/OFF	<ul style="list-style-type: none"> <li>Indicates [ON/OFF] condition from the electrical load signal.</li> <li>ON: Rear window defogger switch is ON and/or lighting switch is in 2nd position.</li> <li>OFF: Both rear window defogger switch and lighting switch are OFF.</li> </ul>	
IGNITION SW	ON/OFF	<ul style="list-style-type: none"> <li>Indicates [ON/OFF] condition from ignition switch signal.</li> </ul>	
HEATER FAN SW	ON/OFF	<ul style="list-style-type: none"> <li>Indicates [ON/OFF] condition from the heater fan switch signal.</li> </ul>	
BRAKE SW	ON/OFF	<ul style="list-style-type: none"> <li>Indicates [ON/OFF] condition from the stop lamp switch signal.</li> </ul>	
INJ PULSE-B1	msec	<ul style="list-style-type: none"> <li>Indicates the actual fuel injection pulse width compensated by ECM according to the input signals.</li> </ul>	<ul style="list-style-type: none"> <li>When the engine is stopped, a certain computed value is indicated.</li> </ul>
INJ PULSE-B2	msec		
IGN TIMING	BTDC	<ul style="list-style-type: none"> <li>Indicates the ignition timing computed by ECM according to the input signals.</li> </ul>	<ul style="list-style-type: none"> <li>When the engine is stopped, a certain value is indicated.</li> </ul>
CAL/LD VALUE	%	<ul style="list-style-type: none"> <li>Calculated load value indicates the value of the current air flow divided by peak air flow.</li> </ul>	
MASS AIRFLOW	g·m/s	<ul style="list-style-type: none"> <li>Indicates the mass air flow computed by ECM according to the signal voltage of the mass air flow sensor.</li> </ul>	
PURG VOL C/V	%	<ul style="list-style-type: none"> <li>Indicates the EVAP canister purge volume control solenoid valve control value computed by the ECM according to the input signals.</li> <li>The opening becomes larger as the value increases.</li> </ul>	
INT/V TIM (B1)	°CA	<ul style="list-style-type: none"> <li>Indicates [°CA] of intake camshaft advanced angle.</li> </ul>	
INT/V TIM (B2)°	°CA		
INT/V SOL (B1)	%	<ul style="list-style-type: none"> <li>The control condition of the intake valve timing control solenoid valve (determined by ECM according to the input signals) is indicated.</li> <li>The advance angle becomes larger as the value increases.</li> </ul>	
INT/V SOL (B2)	%		

# ON BOARD DIAGNOSTIC (OBD) SYSTEM

< FUNCTION DIAGNOSIS >

[VQ40DE]

Monitored item	Unit	Description	Remarks
VIAS S/V-1	ON/OFF	<ul style="list-style-type: none"> <li>The control condition of the VIAS control solenoid valve (determined by ECM according to the input signals) is indicated.</li> <li>ON: VIAS control solenoid valve is operating.</li> <li>OFF: VIAS control solenoid valve is not operating.</li> </ul>	
AIR COND RLY	ON/OFF	<ul style="list-style-type: none"> <li>The air conditioner relay control condition (determined by ECM according to the input signals) is indicated.</li> </ul>	
FUEL PUMP RLY	ON/OFF	<ul style="list-style-type: none"> <li>Indicates the fuel pump relay control condition determined by ECM according to the input signals.</li> </ul>	
VENT CONT/V	ON/OFF	<ul style="list-style-type: none"> <li>The control condition of the EVAP canister vent control valve (determined by ECM according to the input signals) is indicated.</li> <li>ON: Closed</li> <li>OFF: Open</li> </ul>	
THRTL RELAY	ON/OFF	<ul style="list-style-type: none"> <li>Indicates the throttle control motor relay control condition determined by the ECM according to the input signals.</li> </ul>	
COOLING FAN	HI/LOW/OFF	<ul style="list-style-type: none"> <li>The control condition of the cooling fan (determined by ECM according to the input signals) is indicated.</li> <li>HI: High speed operation</li> <li>LOW: Low speed operation</li> <li>OFF: Stop</li> </ul>	
HO2S2 HTR (B1)	ON/OFF	<ul style="list-style-type: none"> <li>Indicates [ON/OFF] condition of heated oxygen sensor 2 heater determined by ECM according to the input signals.</li> </ul>	
HO2S2 HTR (B2)	ON/OFF		
I/P PULLY SPD	rpm	<ul style="list-style-type: none"> <li>Indicates the engine speed computed from the turbine revolution sensor signal.</li> </ul>	
VEHICLE SPEED	km/h or mph	<ul style="list-style-type: none"> <li>Indicates the vehicle speed computed from the revolution sensor signal.</li> </ul>	
IDL A/V LEARN	YET/CMPLT	<ul style="list-style-type: none"> <li>Displays the condition of idle air volume learning</li> <li>YET: Idle air volume learning has not been performed yet.</li> <li>CMPLT: Idle air volume learning has already been performed successfully.</li> </ul>	
TRVL AFTER MIL	km or mile	<ul style="list-style-type: none"> <li>Distance traveled while MIL is activated.</li> </ul>	
A/F S1 HTR (B1)	%	<ul style="list-style-type: none"> <li>Air fuel ratio (A/F) sensor 1 heater control value computed by ECM according to the input signals.</li> <li>The current flow to the heater becomes larger as the value increases.</li> </ul>	
A/F S1 HTR (B2)	%		
AC PRESS SEN	V	<ul style="list-style-type: none"> <li>The signal voltage from the refrigerant pressure sensor is displayed.</li> </ul>	
VHCL SPEED SE	km/h or mph	<ul style="list-style-type: none"> <li>The vehicle speed computed from the vehicle speed signal sent from TCM is displayed.</li> </ul>	
SET VHCL SPD	km/h or mph	<ul style="list-style-type: none"> <li>The preset vehicle speed is displayed.</li> </ul>	
MAIN SW	ON/OFF	<ul style="list-style-type: none"> <li>Indicates [ON/OFF] condition from MAIN switch signal.</li> </ul>	
CANCEL SW	ON/OFF	<ul style="list-style-type: none"> <li>Indicates [ON/OFF] condition from CANCEL switch signal.</li> </ul>	
RESUME/ACC SW	ON/OFF	<ul style="list-style-type: none"> <li>Indicates [ON/OFF] condition from RESUME/ACCELERATE switch signal.</li> </ul>	
SET SW	ON/OFF	<ul style="list-style-type: none"> <li>Indicates [ON/OFF] condition from SET/COAST switch signal.</li> </ul>	

A

EC

C

D

E

F

G

H

I

J

K

L

M

N

O

P

# ON BOARD DIAGNOSTIC (OBD) SYSTEM

[VQ40DE]

## < FUNCTION DIAGNOSIS >

Monitored item	Unit	Description	Remarks
BRAKE SW1	ON/OFF	<ul style="list-style-type: none"> <li>Indicates [ON/OFF] condition from ASCD brake switch signal.</li> </ul>	
BRAKE SW2	ON/OFF	<ul style="list-style-type: none"> <li>Indicates [ON/OFF] condition of stop lamp switch signal.</li> </ul>	
VHCL SPD CUT	NON/ CUT	<ul style="list-style-type: none"> <li>Indicates the vehicle cruise condition.</li> <li>NON: Vehicle speed is maintained at the ASCD set speed.</li> <li>CUT: Vehicle speed increased to excessively high compared with the ASCD set speed, and ASCD operation is cut off.</li> </ul>	
LO SPEED CUT	NON/ CUT	<ul style="list-style-type: none"> <li>Indicates the vehicle cruise condition.</li> <li>NON: Vehicle speed is maintained at the ASCD set speed.</li> <li>CUT: Vehicle speed decreased to excessively low compared with the ASCD set speed, and ASCD operation is cut off.</li> </ul>	
AT OD MONITOR	ON/OFF	<ul style="list-style-type: none"> <li>Indicates [ON/OFF] condition of A/T O/D according to the input signal from the TCM.</li> </ul>	
AT OD CANCEL	ON/OFF	<ul style="list-style-type: none"> <li>Indicates [ON/OFF] condition of A/T O/D cancel signal sent from the TCM.</li> </ul>	
CRUISE LAMP	ON/OFF	<ul style="list-style-type: none"> <li>Indicates [ON/OFF] condition of CRUISE lamp determined by the ECM according to the input signals.</li> </ul>	
SET LAMP	ON/OFF	<ul style="list-style-type: none"> <li>Indicates [ON/OFF] condition of SET lamp determined by the ECM according to the input signals.</li> </ul>	
ALT DUTY	%	<ul style="list-style-type: none"> <li>Indicates the duty ratio of the power generation command value. The ratio is calculated by ECM based on the battery current sensor signal.</li> </ul>	
BAT CUR SEN	mV	<ul style="list-style-type: none"> <li>The signal voltage of battery current sensor is displayed.</li> </ul>	
ALT DUTY SIG	ON/OFF	<ul style="list-style-type: none"> <li>The control condition of the power generation voltage variable control (determined by ECM according to the input signals) is indicated.</li> <li>ON: Power generation voltage variable control is active</li> <li>OFF: Power generation voltage variable control is inactive.</li> </ul>	
A/F ADJ-B1	—	<ul style="list-style-type: none"> <li>Indicates the correction factor saved in ECM. The factor is calculated from the difference between the target air-fuel ratio saved in ECM and the air-fuel ratio calculated from A/F sensor 1 signal.</li> </ul>	
A/F ADJ-B2	—		

**NOTE:**

Any monitored item that does not match the vehicle being diagnosed is deleted from the display automatically.

## ACTIVE TEST MODE

### Test Item

TEST ITEM	CONDITION	JUDGEMENT	CHECK ITEM (REMEDY)
FUEL INJECTION	<ul style="list-style-type: none"> <li>Engine: Return to the original non-standard condition</li> <li>Change the amount of fuel injection using CONSULT-III.</li> </ul>	If malfunctioning symptom disappears, see CHECK ITEM.	<ul style="list-style-type: none"> <li>Harness and connectors</li> <li>Fuel injector</li> <li>Air fuel ratio (A/F) sensor 1</li> </ul>
IGNITION TIMING	<ul style="list-style-type: none"> <li>Engine: Return to the original non-standard condition</li> <li>Timing light: Set</li> <li>Retard the ignition timing using CONSULT-III.</li> </ul>	If malfunctioning symptom disappears, see CHECK ITEM.	<ul style="list-style-type: none"> <li>Perform Idle Air Volume Learning.</li> </ul>

# ON BOARD DIAGNOSTIC (OBD) SYSTEM

< FUNCTION DIAGNOSIS >

[VQ40DE]

TEST ITEM	CONDITION	JUDGEMENT	CHECK ITEM (REMEDY)
POWER BAL- ANCE	<ul style="list-style-type: none"> <li>Engine: After warming up, idle the engine.</li> <li>A/C switch: OFF</li> <li>Shift lever: P or N</li> <li>Cut off each fuel injector signal one at a time using CONSULT-III.</li> </ul>	Engine runs rough or stops.	<ul style="list-style-type: none"> <li>Harness and connectors</li> <li>Compression</li> <li>Fuel injector</li> <li>Power transistor</li> <li>Spark plug</li> <li>Ignition coil</li> </ul>
COOLING FAN*	<ul style="list-style-type: none"> <li>Ignition switch: ON</li> <li>Turn the cooling fan HI, LOW and OFF using CONSULT-III.</li> </ul>	Cooling fan moves and stops.	<ul style="list-style-type: none"> <li>Harness and connectors</li> <li>Cooling fan motor</li> <li>IPDM E/R</li> </ul>
ENG COOLANT TEMP	<ul style="list-style-type: none"> <li>Engine: Return to the original non-standard condition</li> <li>Change the engine coolant temperature using CONSULT-III.</li> </ul>	If malfunctioning symptom disappears, see CHECK ITEM.	<ul style="list-style-type: none"> <li>Harness and connectors</li> <li>Engine coolant temperature sensor</li> <li>Fuel injector</li> </ul>
FUEL PUMP RE- LAY	<ul style="list-style-type: none"> <li>Ignition switch: ON (Engine stopped)</li> <li>Turn the fuel pump relay ON and OFF using CONSULT-III and listen to operating sound.</li> </ul>	Fuel pump relay makes the operating sound.	<ul style="list-style-type: none"> <li>Harness and connectors</li> <li>Fuel pump relay</li> </ul>
VIAS SOL VALVE	<ul style="list-style-type: none"> <li>Ignition switch: ON</li> <li>Turn solenoid valve ON and OFF with CONSULT-III and listen for operating sound.</li> </ul>	Solenoid valve makes an operating sound.	<ul style="list-style-type: none"> <li>Harness and connectors</li> <li>Solenoid valve</li> </ul>
PURG VOL CONT/V	<ul style="list-style-type: none"> <li>Engine: After warming up, run engine at 1,500 rpm.</li> <li>Change the EVAP canister purge volume control solenoid valve opening percent using CONSULT-III.</li> </ul>	Engine speed changes according to the opening percent.	<ul style="list-style-type: none"> <li>Harness and connectors</li> <li>Solenoid valve</li> </ul>
FUEL/T TEMP SEN	<ul style="list-style-type: none"> <li>Change the fuel tank temperature using CONSULT-III.</li> </ul>		
VENT CON- TROL/V	<ul style="list-style-type: none"> <li>Ignition switch: ON (Engine stopped)</li> <li>Turn solenoid valve ON and OFF with the CONSULT-III and listen to operating sound.</li> </ul>	Solenoid valve makes an operating sound.	<ul style="list-style-type: none"> <li>Harness and connectors</li> <li>Solenoid valve</li> </ul>
V/T ASSIGN AN- GLE	<ul style="list-style-type: none"> <li>Engine: Return to the original non-standard condition</li> <li>Change intake valve timing using CONSULT-III.</li> </ul>	If malfunctioning symptom disappears, see CHECK ITEM.	<ul style="list-style-type: none"> <li>Harness and connectors</li> <li>Intake valve timing control solenoid valve</li> </ul>
ALTERNATOR DUTY	<ul style="list-style-type: none"> <li>Engine: Idle</li> <li>Change duty ratio using CONSULT-III.</li> </ul>	Battery voltage changes.	<ul style="list-style-type: none"> <li>Harness and connectors</li> <li>IPDM E/R</li> <li>Alternator</li> </ul>

\*: Leaving cooling fan OFF with CONSULT-III while engine is running may cause the engine to overheat.

## DTC & SRT CONFIRMATION MODE

### SRT STATUS Mode

For details, refer to [EC-53, "Emission-related Diagnostic Information"](#).

### SRT Work Support Mode

This mode enables a technician to drive a vehicle to set the SRT while monitoring the SRT status.

### DTC Work Support Mode

# ON BOARD DIAGNOSTIC (OBD) SYSTEM

< FUNCTION DIAGNOSIS >

[VQ40DE]

Test mode	Test item	Corresponding DTC No.	Reference page
EVAPORATIVE SYSTEM	EVP SML LEAK P0442/P1442*	P0442	<a href="#">EC-231</a>
		P0455	<a href="#">EC-267</a>
	EVP V/S LEAK P0456/P1456*	P0456	<a href="#">EC-274</a>
	PURG VOL CN/V P1444	P0443	<a href="#">EC-238</a>
	PURG FLOW P0441	P0441	<a href="#">EC-226</a>
A/F SEN1	A/F SEN1 (B1) P1278/P1279	P0133	<a href="#">EC-156</a>
	A/F SEN1 (B1) P1276	P0130	<a href="#">EC-144</a>
	A/F SEN1 (B2) P1288/P1289	P0153	<a href="#">EC-156</a>
	A/F SEN1 (B2) P1286	P0150	<a href="#">EC-144</a>
HO2S2	HO2S2 (B1) P1146	P0138	<a href="#">EC-167</a>
	HO2S2 (B1) P1147	P0137	<a href="#">EC-161</a>
	HO2S2 (B1) P0139	P0139	<a href="#">EC-175</a>
	HO2S2 (B2) P1166	P0158	<a href="#">EC-167</a>
	HO2S2 (B2) P1167	P0157	<a href="#">EC-161</a>
	HO2S2 (B2) P0159	P0159	<a href="#">EC-175</a>

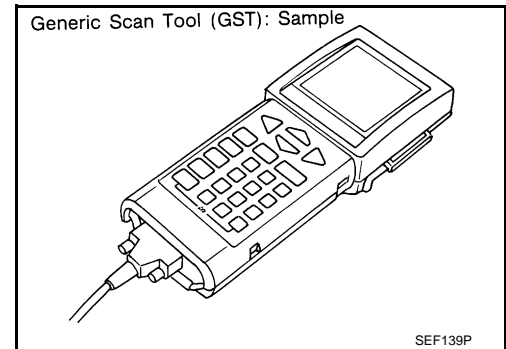
\*: DTC P1442 and P1456 does not apply to R51 models but appears in DTC Work Support Mode screens.

## Generic Scan Tool (GST) Function

INFOID:000000004297262

### DESCRIPTION

Generic Scan Tool (OBDII scan tool) complying with SAE J1978 has several functions explained below. ISO15765-4 is used as the protocol. The name GST or Generic Scan Tool is used in this service manual.



### FUNCTION

Diagnostic test mode		Function
Service \$01	READINESS TESTS	This diagnostic service gains access to current emission-related data values, including analog inputs and outputs, digital inputs and outputs, and system status information.
Service \$02	(FREEZE DATA)	This diagnostic service gains access to emission-related data value that were saved by ECM during the freeze frame. For details, refer to <a href="#">EC-53. "Emission-related Diagnostic Information"</a> .
Service \$03	DTCs	This diagnostic service gains access to emission-related power train trouble codes which were saved by ECM.
Service \$04	CLEAR DIAG INFO	This diagnostic service can clear all emission-related diagnostic information. This includes: <ul style="list-style-type: none"> <li>• Clear number of diagnostic trouble codes (Service \$01)</li> <li>• Clear diagnostic trouble codes (Service \$03)</li> <li>• Clear trouble code for freeze frame data (Service \$01)</li> <li>• Clear freeze frame data (Service \$02)</li> <li>• Reset status of system monitoring test (Service \$01)</li> <li>• Clear on board monitoring test results (Service \$06 and \$07)</li> </ul>
Service \$06	(ON BOARD TESTS)	This diagnostic service accesses the results of on board diagnostic monitoring tests of specific components/systems that are not continuously monitored.

# ON BOARD DIAGNOSTIC (OBD) SYSTEM

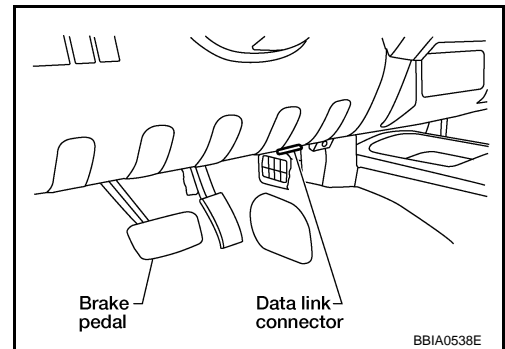
< FUNCTION DIAGNOSIS >

[VQ40DE]

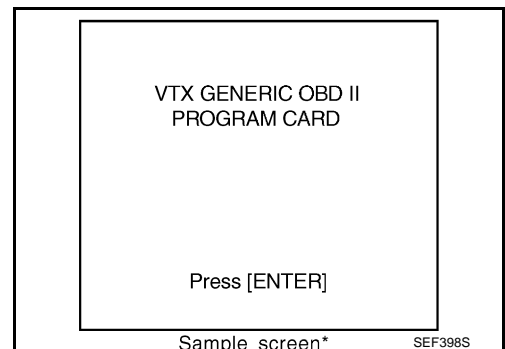
Diagnostic test mode		Function
Service \$07	(ON BOARD TESTS)	This diagnostic service enables the off board test drive to obtain test results for emission-related powertrain components/systems that are continuously monitored during normal driving conditions.
Service \$08	—	<p>This diagnostic service can close EVAP system in ignition switch ON position (Engine stopped). When this diagnostic service is performed, the EVAP canister vent control valve can be closed.</p> <p>In the following conditions, this diagnostic service cannot function.</p> <ul style="list-style-type: none"> <li>• Low ambient temperature</li> <li>• Low battery voltage</li> <li>• Engine running</li> <li>• Ignition switch OFF</li> <li>• Low fuel temperature</li> <li>• Too much pressure is applied to EVAP system</li> </ul>
Service \$09	(CALIBRATION ID)	This diagnostic service enables the off-board test device to request specific vehicle information such as Vehicle Identification Number (VIN) and Calibration IDs.

## INSPECTION PROCEDURE

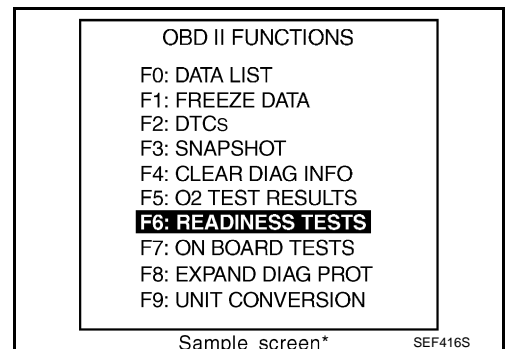
1. Turn ignition switch OFF.
2. Connect GST to data link connector, which is located under LH dash panel near the hood opener handle.



3. Turn ignition switch ON.
4. Enter the program according to instruction on the screen or in the operation manual.  
(\*: Regarding GST screens in this section, sample screens are shown.)



5. Perform each diagnostic mode according to each service procedure.  
**For further information, see the GST Operation Manual of the tool maker.**



A  
EC  
C  
D  
E  
F  
G  
H  
I  
J  
K  
L  
M  
N  
O  
P

## COMPONENT DIAGNOSIS

### TROUBLE DIAGNOSIS - SPECIFICATION VALUE

#### Description

INFOID:000000004297263

The specification (SP) value indicates the tolerance of the value that is displayed in "SPEC" of "DATA MONITOR" mode of CONSULT-III during normal operation of the Engine Control System. When the value in "SPEC" of "DATA MONITOR" mode is within the SP value, the Engine Control System is confirmed OK. When the value "SPEC" of "DATA MONITOR" mode is NOT within the SP value, the Engine Control System may have one or more malfunctions.

The SP value is used to detect malfunctions that may affect the Engine Control System, but will not illuminate the MIL.

The SP value will be displayed for the following three items:

- B/FUEL SCHDL (The fuel injection pulse width programmed into ECM prior to any learned on board correction)
- A/F ALPHA-B1/B2 (The mean value of air-fuel ratio feedback correction factor per cycle)
- MAS A/F SE-B1 (The signal voltage of the mass air flow sensor)

#### Testing Condition

INFOID:000000004297264

- Vehicle driven distance: More than 5,000 km (3,107 miles)
- Barometric pressure: 98.3 - 104.3 kPa (1.003 - 1.064 kg/cm<sup>2</sup>, 14.25 - 15.12 psi)
- Atmospheric temperature: 20 - 30°C (68 - 86°F)
- Engine coolant temperature: 75 - 95°C (167 - 203°F)
- Transmission: Warmed-up\*<sup>1</sup>
- Electrical load: Not applied\*<sup>2</sup>
- Engine speed: Idle

\*1: After the engine is warmed up to normal operating temperature, drive vehicle until "FLUID TEMP SE" (A/T fluid temperature sensor signal) indicates more than 60°C (140°F).

\*2: Rear window defogger switch, air conditioner switch lighting switch are OFF. Steering wheel is straight ahead.

#### Inspection Procedure

INFOID:000000004297265

##### NOTE:

Perform "SPEC" of "DATA MONITOR" mode in maximum scale display.

1. Perform [EC-20, "Basic Inspection"](#).
2. Confirm that the testing conditions indicated above are met.
3. Select "B/FUEL SCHDL", "A/F ALPHA-B1", "A/F ALPHA-B2" and "MAS A/F SE-B1" in "SPEC" of "DATA MONITOR" mode with CONSULT-III.
4. Make sure that monitor items are within the SP value.
5. If NG, go to [EC-84, "Diagnosis Procedure"](#).

#### Diagnosis Procedure

INFOID:000000004297266

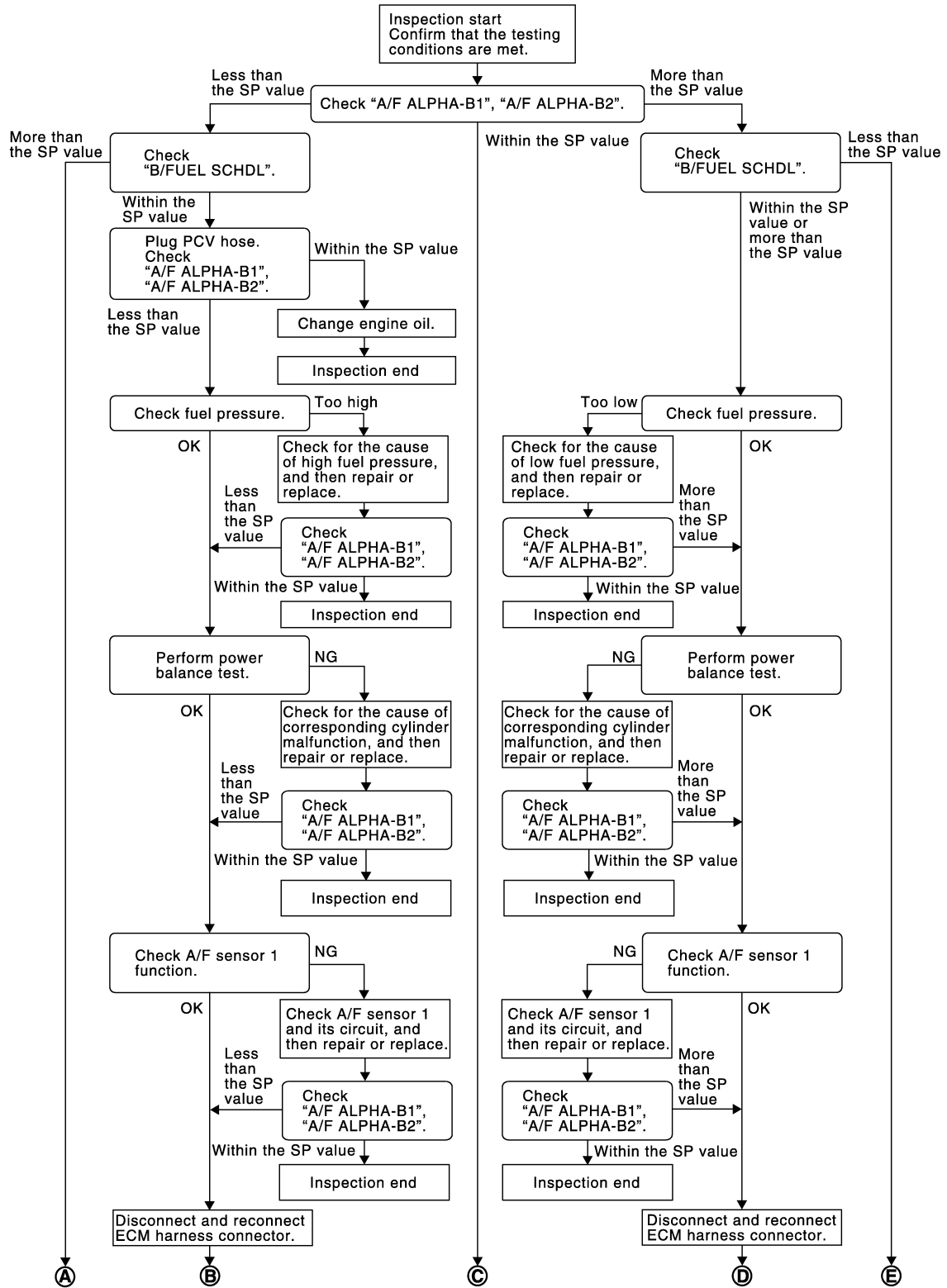
#### OVERALL SEQUENCE



# TROUBLE DIAGNOSIS - SPECIFICATION VALUE

< COMPONENT DIAGNOSIS >

[VQ40DE]



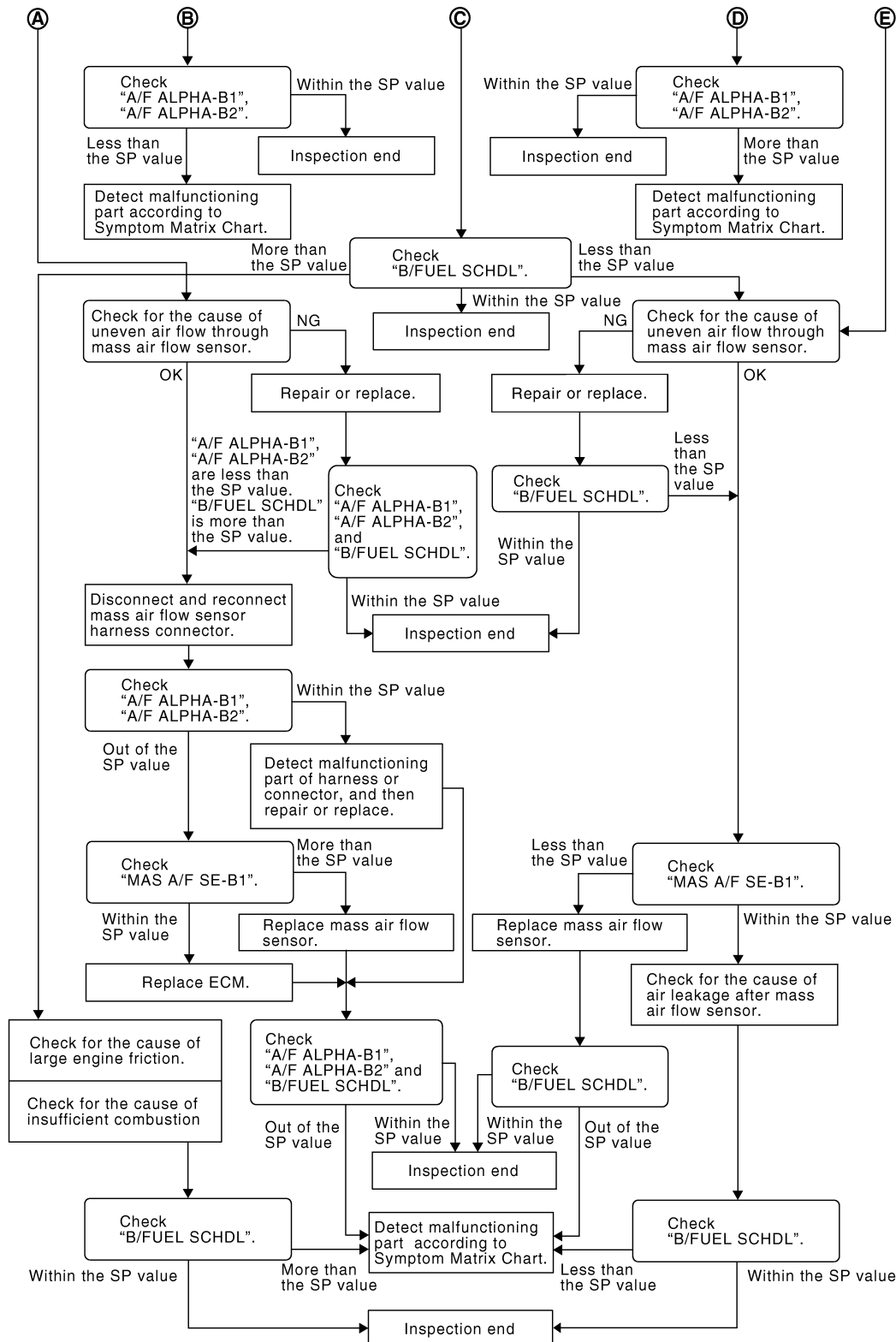
JMBIA1468GB

A  
EC  
C  
D  
E  
F  
G  
H  
I  
J  
K  
L  
M  
N  
O  
P

# TROUBLE DIAGNOSIS - SPECIFICATION VALUE

< COMPONENT DIAGNOSIS >

[VQ40DE]



PBIB3214E

## DETAILED PROCEDURE

### 1. CHECK "A/F ALPHA-B1", "A/F ALPHA-B2"

1. Start engine.
2. Confirm that the testing conditions are met. Refer to [EC-84. "Testing Condition"](#).
3. Select "A/F ALPHA-B1", "A/F ALPHA-B2" in "SPEC" of "DATA MONITOR" mode, and make sure that each indication is within the SP value.

**NOTE:**

# TROUBLE DIAGNOSIS - SPECIFICATION VALUE

[VQ40DE]

## < COMPONENT DIAGNOSIS >

Check "A/F ALPHA-B1", "A/F ALPHA-B2" for approximately 1 minute because they may fluctuate. It is NG if the indication is out of the SP value even a little.

### OK or NG

OK >> GO TO 17.

NG (Less than the SP value)>>GO TO 2.

NG (More than the SP value)>>GO TO 3.

## 2.CHECK "B/FUEL SCHDL"

Select "B/FUEL SCHDL" in "SPEC" of "DATA MONITOR" mode, and make sure that the indication is within the SP value.

### OK or NG

OK >> GO TO 4.

NG (More than the SP value)>>GO TO 19.

## 3.CHECK "B/FUEL SCHDL"

Select "B/FUEL SCHDL" in "SPEC" of "DATA MONITOR" mode, and make sure that the indication is within the SP value.

### OK or NG

OK >> GO TO 6.

NG (More than the SP value)>>GO TO 6.

NG (Less than the SP value)>>GO TO 25.

## 4.CHECK "A/F ALPHA-B1", "A/F ALPHA-B2"

1. Stop the engine.

2. Disconnect PCV hose, and then plug it.

3. Start engine.

4. Select "A/F ALPHA-B1", "A/F ALPHA-B2" in "SPEC" of "DATA MONITOR" mode, and make sure that each indication is within the SP value.

### OK or NG

OK >> GO TO 5.

NG >> GO TO 6.

## 5.CHANGE ENGINE OIL

1. Stop the engine.

2. Change engine oil.

### NOTE:

This symptom may occur when a large amount of gasoline is mixed with engine oil because of driving conditions (such as when engine oil temperature does not rise enough since a journey distance is too short during winter). The symptom will not be detected after changing engine oil or changing driving conditions.

>> INSPECTION END

## 6.CHECK FUEL PRESSURE

Check fuel pressure. (Refer to [EC-484, "Fuel Pressure Check"](#).)

### OK or NG

OK >> GO TO 9.

NG (Fuel pressure is too high)>>Replace fuel pressure regulator, refer to [EC-484, "Fuel Pressure Check"](#).  
GO TO 8.

NG (Fuel pressure is too low)>>GO TO 7.

## 7.DETECT MALFUNCTIONING PART

1. Check the following.

- Clogged and bent fuel hose and fuel tube

- Clogged fuel filter

- Fuel pump and its circuit (Refer to [EC-398, "Description"](#).)

2. If NG, repair or replace the malfunctioning part. (Refer to [EC-84, "Diagnosis Procedure"](#).)

If OK, replace fuel pressure regulator.

>> GO TO 8.

## 8. CHECK "A/F ALPHA-B1", "A/F ALPHA-B2"

---

1. Start engine.
2. Select "A/F ALPHA-B1", "A/F ALPHA-B2" in "SPEC" of "DATA MONITOR" mode, and make sure that each indication is within the SP value.

### OK or NG

- OK >> **INSPECTION END**  
NG >> GO TO 9.

## 9. PERFORM POWER BALANCE TEST

---

1. Perform "POWER BALANCE" in "ACTIVE TEST" mode.
2. Make sure that the each cylinder produces a momentary engine speed drop.

### OK or NG

- OK >> GO TO 12.  
NG >> GO TO 10.

## 10. DETECT MALFUNCTIONING PART

---

1. Check the following below
  - Ignition coil and its circuit (Refer to [EC-402, "Component Description"](#).)
  - Fuel injector and its circuit (Refer to [EC-394, "Component Description"](#).)
  - Intake air leakage
  - Low compression pressure (Refer to [EM-22, "Compression Pressure"](#).)
2. If NG, repair or replace the malfunctioning part.  
If OK, replace fuel injector. (It may be caused by leakage from fuel injector or clogging.)

>> GO TO 11.

## 11. CHECK "A/F ALPHA-B1", "A/F ALPHA-B2"

---

1. Start engine.
2. Select "A/F ALPHA-B1", "A/F ALPHA-B2" in "SPEC" of "DATA MONITOR" mode, and make sure that each indication is within the SP value.

### OK or NG

- OK >> **INSPECTION END**  
NG >> GO TO 12.

## 12. CHECK A/F SENSOR 1 FUNCTION

---

Perform all DTC Confirmation Procedure related with A/F sensor 1.

- For DTC P0130, P0150, refer to [EC-144, "DTC Confirmation Procedure"](#).
- For DTC P0131, P0151, refer to [EC-148, "DTC Confirmation Procedure"](#).
- For DTC P0132, P0152, refer to [EC-152, "DTC Confirmation Procedure"](#).
- For DTC P0133, P0153, refer to [EC-156, "DTC Confirmation Procedure"](#).
- For DTC P2A00, P2A03, refer to [EC-380, "DTC Confirmation Procedure"](#).

### OK or NG

- OK >> GO TO 15.  
NG >> GO TO 13.

## 13. CHECK A/F SENSOR 1 CIRCUIT

---

Perform Diagnostic Procedure according to corresponding DTC.

>> GO TO 14.

## 14. CHECK "A/F ALPHA-B1", "A/F ALPHA-B2"

---

1. Start engine.
2. Select "A/F ALPHA-B1", "A/F ALPHA-B2" in "SPEC" of "DATA MONITOR" mode, and make sure that each indication is within the SP value.

# TROUBLE DIAGNOSIS - SPECIFICATION VALUE

< COMPONENT DIAGNOSIS >

[VQ40DE]

## OK or NG

- OK >> **INSPECTION END**  
NG >> GO TO 15.

## 15.DISCONNECT AND RECONNECT ECM HARNESS CONNECTOR

1. Stop the engine.
2. Disconnect ECM harness connector. Check pin terminal and connector for damage, and then reconnect it.

>> GO TO 16.

## 16.CHECK "A/F ALPHA-B1", "A/F ALPHA-B2"

1. Start engine.
2. Select "A/F ALPHA-B1", "A/F ALPHA-B2" in "SPEC" of "DATA MONITOR" mode, and make sure that each indication is within the SP value.

## OK or NG

- OK >> **INSPECTION END**  
NG >> Detect malfunctioning part according to [EC-473. "Symptom Matrix Chart"](#).

## 17.CHECK "B/FUEL SCHDL"

Select "B/FUEL SCHDL" in "SPEC" of "DATA MONITOR" mode, and make sure that the indication is within the SP value.

## OK or NG

- OK >> **INSPECTION END**  
NG (More than the SP value)>>GO TO 18.  
NG (Less than the SP value)>>GO TO 25.

## 18.DETECT MALFUNCTIONING PART

1. Check for the cause of large engine friction. Refer to the following.
  - Engine oil level is too high
  - Engine oil viscosity
  - Belt tension of power steering, alternator, A/C compressor, etc. is excessive
  - Noise from engine
  - Noise from transmission, etc.
2. Check for the cause of insufficient combustion. Refer to the following.
  - Valve clearance malfunction
  - Intake valve timing control function malfunction
  - Camshaft sprocket installation malfunction, etc.

>> Repair or replace malfunctioning part, and then GO TO 30.

## 19.CHECK INTAKE SYSTEM

Check for the cause of uneven air flow through mass air flow sensor. Refer to the following.

- Crushed air ducts
- Malfunctioning seal of air cleaner element
- Uneven dirt of air cleaner element
- Improper specification of intake air system

## OK or NG

- OK >> GO TO 21.  
NG >> Repair or replace malfunctioning part, and then GO TO 20.

## 20.CHECK "A/F ALPHA-B1", "A/F ALPHA-B2", AND "B/FUEL SCHDL"

Select "A/F ALPHA-B1", "A/F ALPHA-B2", and "B/FUEL SCHDL" in "SPEC" of "DATA MONITOR" mode, and make sure that each indication is within the SP value.

## OK or NG

- OK >> **INSPECTION END**  
NG ("B/FUEL SCHDL" is more, "A/F ALPHA-B1", "A/F ALPHA-B2" are less than the SP value)>>GO TO 21.

## 21.DISCONNECT AND RECONNECT MASS AIR FLOW SENSOR HARNESS CONNECTOR

## TROUBLE DIAGNOSIS - SPECIFICATION VALUE

[VQ40DE]

### < COMPONENT DIAGNOSIS >

1. Stop the engine.
2. Disconnect mass air flow sensor harness connector. Check pin terminal and connector for damage and then reconnect it again.

>> GO TO 22.

### 22.CHECK "A/F ALPHA-B1", "A/F ALPHA-B2"

1. Start engine.
2. Select "A/F ALPHA-B1", "A/F ALPHA-B2" in "SPEC" of "DATA MONITOR" mode, and make sure that each indication is within the SP value.

#### OK or NG

- OK >> 1. Detect malfunctioning part of mass air flow sensor circuit and repair it. Refer to [EC-113, "Diagnosis Procedure"](#).
2. GO TO 29.

NG >> GO TO 23.

### 23.CHECK "MAS A/F SE-B1"

Select "MAS A/F SE-B1" in "SPEC" of "DATA MONITOR" mode, and make sure that the indication is within the SP value.

#### OK or NG

OK >> GO TO 24.

NG (More than the SP value)>>Replace mass air flow sensor, and then GO TO 29.

### 24.REPLACE ECM

1. Replace ECM.
2. Perform initialization of NVIS(NATS) system and registration of all NVIS(NATS) ignition key IDs. Refer to [SEC-8, "ECM RE-COMMUNICATING FUNCTION : Special Repair Requirement"](#) (with Intelligent Key system) or [SEC-124, "ECM RE-COMMUNICATING FUNCTION : Special Repair Requirement"](#) (without Intelligent Key system).
3. Perform [EC-25, "VIN Registration"](#).
4. Perform [EC-25, "Accelerator Pedal Released Position Learning"](#).
5. Perform [EC-25, "Throttle Valve Closed Position Learning"](#).
6. Perform [EC-25, "Idle Air Volume Learning"](#).

>> GO TO 29.

### 25.CHECK INTAKE SYSTEM

Check for the cause of uneven air flow through mass air flow sensor. Refer to the following.

- Crushed air ducts
- Malfunctioning seal in air cleaner element
- Uneven dirt in air cleaner element
- Improper specification in intake air system

#### OK or NG

OK >> GO TO 27.

NG >> Repair or replace malfunctioning part, and then GO TO 26.

### 26.CHECK "B/FUEL SCHDL"

Select "B/FUEL SCHDL" in "SPEC" of "DATA MONITOR" mode, and make sure that the indication is within the SP value.

#### OK or NG

OK >> **INSPECTION END**

NG (Less than the SP value)>>GO TO 27.

### 27.CHECK "MAS A/F SE-B1"

Select "MAS A/F SE-B1" in "SPEC" of "DATA MONITOR" mode, and make sure that the indication is within the SP value.

#### OK or NG

OK >> GO TO 28.

# TROUBLE DIAGNOSIS - SPECIFICATION VALUE

[VQ40DE]

< COMPONENT DIAGNOSIS >

NG (Less than the SP value)>>Replace mass air flow sensor, and then GO TO 30.

## 28.CHECK INTAKE SYSTEM

Check for the cause of air leak after the mass air flow sensor. Refer to the following.

- Disconnection, looseness, and cracks in air duct
- Looseness of oil filler cap
- Disconnection of oil level gauge
- Open stuck, breakage, hose disconnection, or cracks of PCV valve
- Disconnection or cracks in EVAP purge hose, stuck open of EVAP canister purge volume control solenoid valve
- Malfunctioning seal in rocker cover gasket
- Disconnection, looseness, or cracks in hoses, such as a vacuum hose, connecting to intake air system parts
- Malfunctioning seal in intake air system, etc.

>> GO TO 30.

## 29.CHECK "A/F ALPHA-B1", "A/F ALPHA-B2", AND "B/FUEL SCHDL"

Select "A/F ALPHA-B1", "A/F ALPHA-B2", and "B/FUEL SCHDL" in "SPEC" of "DATA MONITOR" mode, and make sure that each indication is within the SP value.

OK or NG

OK >> **INSPECTION END**

NG >> Detect malfunctioning part according to [EC-473. "Symptom Matrix Chart"](#).

## 30.CHECK "B/FUEL SCHDL"

Select "B/FUEL SCHDL" in "SPEC" of "DATA MONITOR" mode, and then make sure that the indication is within the SP value.

OK or NG

OK >> **INSPECTION END**

NG >> Detect malfunctioning part according to [EC-473. "Symptom Matrix Chart"](#).

# POWER SUPPLY AND GROUND CIRCUIT

< COMPONENT DIAGNOSIS >

[VQ40DE]

## POWER SUPPLY AND GROUND CIRCUIT

### Diagnosis Procedure

INFOID:000000004297267

#### 1. INSPECTION START

Start engine.

**Is engine running?**

Yes or No

Yes >> GO TO 8.

No >> GO TO 2.

#### 2. CHECK ECM POWER SUPPLY CIRCUIT-I

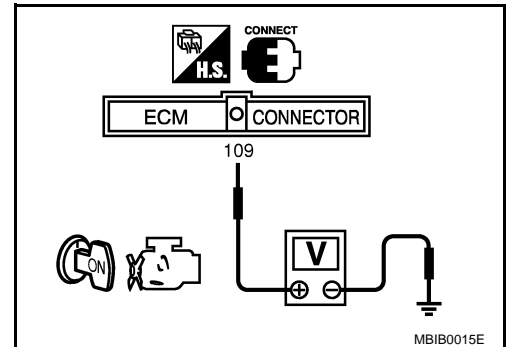
1. Turn ignition switch OFF and then ON.
2. Check voltage between ECM terminal 109 and ground with CONSULT-III or tester.

**Voltage: Battery voltage**

OK or NG

OK >> GO TO 4.

NG >> GO TO 3.



#### 3. DETECT MALFUNCTIONING PART

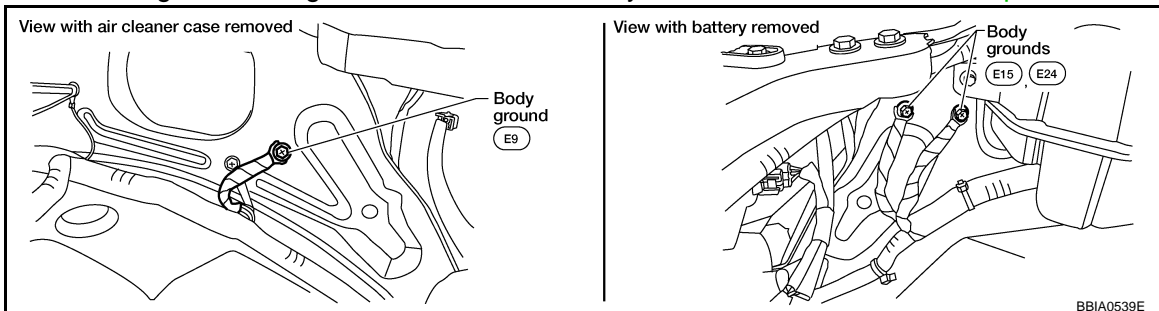
Check the following.

- Harness connectors M31, E152
- Fuse block (J/B) connector M4
- 10 A fuse (No.1)
- Harness for open or short between ECM and fuse

>> Repair harness or connectors.

#### 4. CHECK GROUND CONNECTIONS

1. Turn ignition switch OFF.
2. Loosen and retighten three ground screws on the body. Refer to [EC-95. "Ground Inspection"](#).



OK or NG

OK >> GO TO 5.

NG >> Repair or replace ground connections.

#### 5. CHECK ECM GROUND CIRCUIT FOR OPEN AND SHORT-I

1. Disconnect ECM harness connector.
2. Check harness continuity between ECM terminals 1, 115, 116 and ground. Refer to Wiring Diagram.

**Continuity should exist.**



# POWER SUPPLY AND GROUND CIRCUIT

[VQ40DE]

## < COMPONENT DIAGNOSIS >

3. Also check harness for short to power.

### OK or NG

- OK >> GO TO 7.
- NG >> GO TO 6.

## 6. DETECT MALFUNCTIONING PART

Check the following.

- Harness connectors F32, E2
- Harness for open or short between ECM and ground

>> Repair open circuit or short to power in harness or connectors.

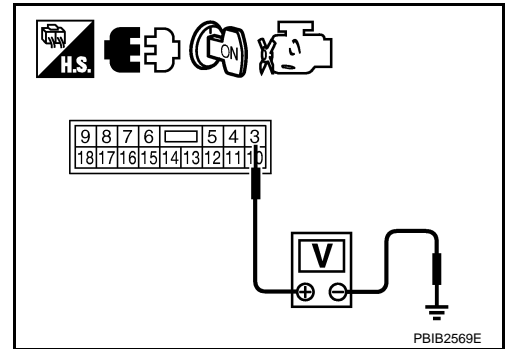
## 7. CHECK ECM POWER SUPPLY CIRCUIT-II

1. Reconnect ECM harness connector.
2. Turn ignition switch ON.
3. Check voltage between IPDM E/R connector E119 terminal 3 and ground with CONSULT-III or tester.

**Voltage: Battery voltage**

### OK or NG

- OK >> Go to [EC-402, "Diagnosis Procedure"](#).
- NG >> GO TO 8.



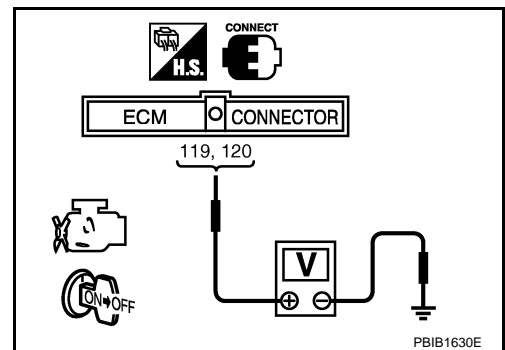
## 8. CHECK ECM POWER SUPPLY CIRCUIT-III

1. Turn ignition switch OFF and wait at least 10 seconds.
2. Turn ignition switch ON and then OFF.
3. Check voltage between ECM terminals 119, 120 and ground with CONSULT-III or tester.

**Voltage: After turning ignition switch OFF, battery voltage will exist for a few seconds, then to drop approximately 0V.**

### OK or NG

- OK >> GO TO 13.
- NG (Battery voltage does not exist.) >> GO TO 9.
- NG (Battery voltage exists for more than a few seconds.) >> GO TO 11.



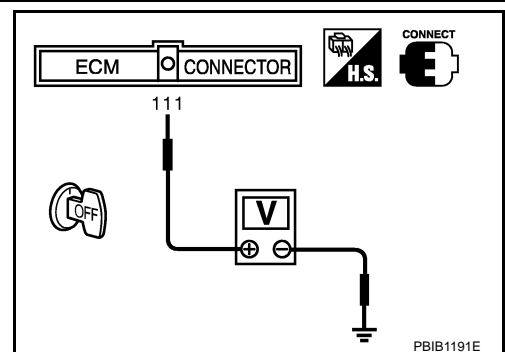
## 9. CHECK ECM POWER SUPPLY CIRCUIT-IV

Check voltage between ECM terminal 111 and ground with CONSULT-III or tester.

**Voltage: Battery voltage**

### OK or NG

- OK >> GO TO 10.
- NG >> GO TO 11.



## 10. CHECK ECM POWER SUPPLY CIRCUIT-V

1. Disconnect ECM harness connector.
2. Disconnect IPDM E/R harness connector E119.

# POWER SUPPLY AND GROUND CIRCUIT

[VQ40DE]

## < COMPONENT DIAGNOSIS >

3. Check harness continuity between ECM terminals 119, 120 and IPDM E/R terminal 4.  
Refer to Wiring Diagram.

**Continuity should exist.**

4. Also check harness for short to ground and short to power.

### OK or NG

OK >> GO TO 16.

NG >> Repair open circuit or short to ground or short to power in harness or connectors.

## 11.CHECK ECM POWER SUPPLY CIRCUIT-VI

1. Disconnect ECM harness connector.
2. Disconnect IPDM E/R harness connector E119.
3. Check harness continuity between ECM terminal 111 and IPDM E/R terminal 7.  
Refer to Wiring Diagram.

**Continuity should exist.**

4. Also check harness for short to ground and short to power.

### OK or NG

OK >> GO TO 12.

NG >> Repair open circuit or short to ground or short to power in harness or connectors.

## 12.CHECK 20A FUSE

1. Disconnect 20 A fuse (No.53) from IPDM E/R.
2. Check 20 A fuse.

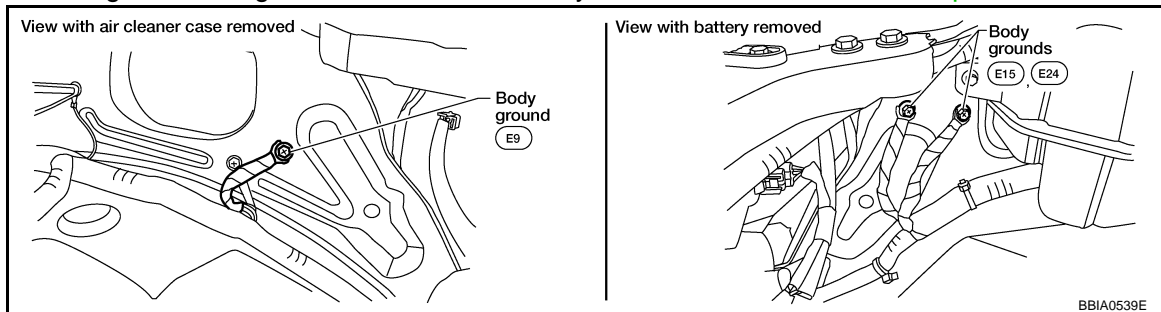
### OK or NG

OK >> GO TO 16.

NG >> Replace 20A fuse.

## 13.CHECK GROUND CONNECTIONS

Loosen and retighten three ground screws on the body. Refer to [EC-95. "Ground Inspection"](#).



### OK or NG

OK >> GO TO 14.

NG >> Repair or replace ground connections.

## 14.CHECK ECM GROUND CIRCUIT FOR OPEN AND SHORT-II

1. Check harness continuity between ECM terminals 1, 115, 116 and ground.  
Refer to Wiring Diagram.

**Continuity should exist.**

2. Also check harness for short to power.

### OK or NG

OK >> GO TO 16.

NG >> GO TO 15.

## 15.DETECT MALFUNCTIONING PART

Check the following.

- Harness connectors F32, E2

# POWER SUPPLY AND GROUND CIRCUIT

< COMPONENT DIAGNOSIS >

[VQ40DE]

- Harness for open or short between ECM and ground

>> Repair open circuit or short to power in harness or connectors.

## 16.CHECK INTERMITTENT INCIDENT

Refer to [GI-49. "Intermittent Incident"](#).

OK or NG

OK >> Replace IPDM E/R.

NG >> Repair open circuit or short to power in harness or connectors.

## Ground Inspection

INFOID:000000004297268

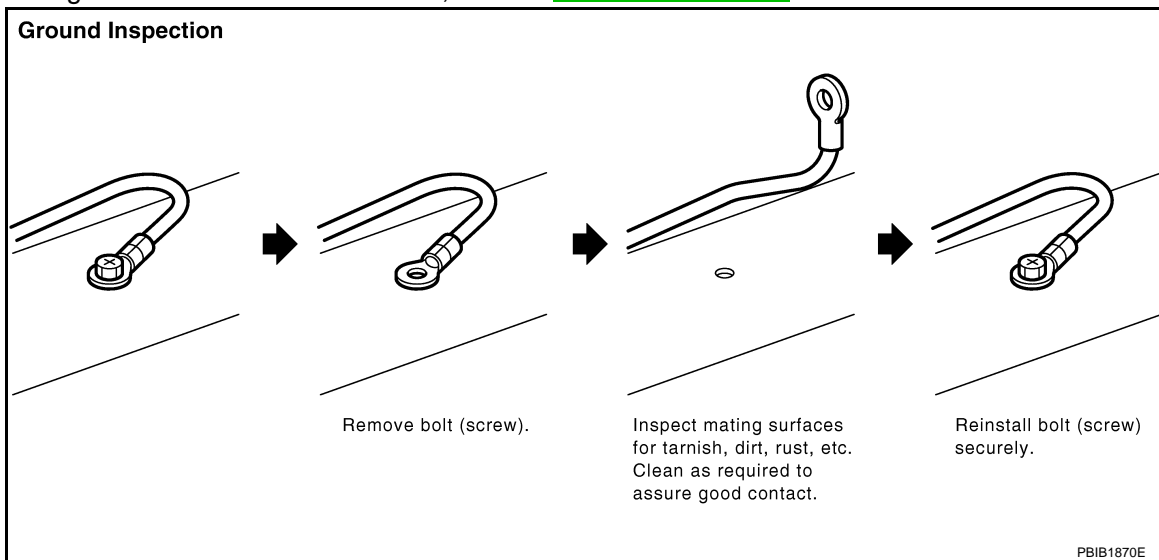
Ground connections are very important to the proper operation of electrical and electronic circuits. Ground connections are often exposed to moisture, dirt and other corrosive elements. The corrosion (rust) can become an unwanted resistance. This unwanted resistance can change the way a circuit works.

Electronically controlled circuits are very sensitive to proper grounding. A loose or corroded ground can drastically affect an electronically controlled circuit. A poor or corroded ground can easily affect the circuit. Even when the ground connection looks clean, there can be a thin film of rust on the surface.

When inspecting a ground connection follow these rules:

- Remove the ground bolt or screw.
- Inspect all mating surfaces for tarnish, dirt, rust, etc.
- Clean as required to assure good contact.
- Reinstall bolt or screw securely.
- Inspect for "add-on" accessories which may be interfering with the ground circuit.
- If several wires are crimped into one ground eyelet terminal, check for proper crimps. Make sure all of the wires are clean, securely fastened and providing a good ground path. If multiple wires are cased in one eyelet make sure no ground wires have excess wire insulation.

For detailed ground distribution information, refer to [GI-45. "Work Flow"](#).



## U0101 CAN COMM CIRCUIT

### Description

INFOID:000000004331862

CAN (Controller Area Network) is a serial communication line for real time application. It is an on-vehicle multiplex communication line with high data communication speed and excellent error detection ability. Many electronic control units are equipped onto a vehicle, and each control unit shares information and links with other control units during operation (not independent). In CAN communication, control units are connected with 2 communication lines (CAN H line, CAN L line) allowing a high rate of information transmission with less wiring. Each control unit transmits/receives data but selectively reads required data only.

### On Board Diagnosis Logic

INFOID:000000004331863

**This self-diagnosis has the one trip detection logic.**

DTC No.	Trouble diagnosis name	DTC detecting condition	Possible cause
U0101 0101	Lost communication with TCM	<ul style="list-style-type: none"> <li>• When ECM is not transmitting or receiving CAN communication signal of OBD (emission-related diagnosis) with TCM for 2 seconds or more.</li> </ul>	<ul style="list-style-type: none"> <li>• CAN communication line between TCM and ECM</li> <li>• CAN communication line is open or shorted</li> </ul>

### DTC Confirmation Procedure

INFOID:000000004331864

1. Turn ignition switch ON and wait at least 3 seconds.
2. Check 1st trip DTC.
3. If 1st trip DTC is detected, go to [EC-96. "Diagnosis Procedure"](#).

### Diagnosis Procedure

INFOID:000000004331865

Go to [LAN-57. "CAN System Specification Chart"](#).

# U1001 CAN COMM CIRCUIT

< COMPONENT DIAGNOSIS >

[VQ40DE]

## U1001 CAN COMM CIRCUIT

### Description

INFOID:000000004297269

CAN (Controller Area Network) is a serial communication line for real time application. It is an on-vehicle multiplex communication line with high data communication speed and excellent error detection ability. Many electronic control units are equipped onto a vehicle, and each control unit shares information and links with other control units during operation (not independent). In CAN communication, control units are connected with 2 communication lines (CAN H line, CAN L line) allowing a high rate of information transmission with less wiring. Each control unit transmits/receives data but selectively reads required data only.

### On Board Diagnosis Logic

INFOID:000000004297270

**The MIL will not illuminate for this diagnosis.**

DTC No.	Trouble diagnosis name	DTC detecting condition	Possible cause
U1001 1001	CAN communication line	<ul style="list-style-type: none"><li>When ECM is not transmitting or receiving CAN communication signal other than OBD (emission-related diagnosis) for 2 seconds or more.</li></ul>	<ul style="list-style-type: none"><li>Harness or connectors (CAN communication line is open or shorted)</li></ul>

### DTC Confirmation Procedure

INFOID:000000004297271

1. Turn ignition switch ON and wait at least 3 seconds.
2. Check 1st trip DTC.
3. If 1st trip DTC is detected, go to [EC-97. "Diagnosis Procedure"](#).

### Diagnosis Procedure

INFOID:000000004297272

Go to [LAN-57. "CAN System Specification Chart"](#).

# P0011, P0021 IVT CONTROL

< COMPONENT DIAGNOSIS >

[VQ40DE]

## P0011, P0021 IVT CONTROL

### On Board Diagnosis Logic

INFOID:000000004297277

DTC No.	Trouble diagnosis name	Detecting condition	Possible cause
P0011 0011 (Bank 1)	Intake valve timing control performance	There is a gap between angle of target and phase-control angle degree.	<ul style="list-style-type: none"> <li>• Crankshaft position sensor (POS)</li> <li>• Camshaft position sensor (PHASE)</li> <li>• Intake valve timing control solenoid valve</li> <li>• Accumulation of debris to the signal pick-up portion of the camshaft</li> <li>• Timing chain installation</li> <li>• Foreign matter caught in the oil groove for intake valve timing control</li> </ul>
P0021 0021 (Bank 2)			

### FAIL-SAFE MODE

When the malfunction is detected, the ECM enters fail-safe mode.

Detected items	Engine operating condition in fail-safe mode
Intake valve timing control	The signal is not energized to the solenoid valve and the valve control does not function.

### DTC Confirmation Procedure

INFOID:000000004297278

#### CAUTION:

Always drive at a safe speed.

#### NOTE:

- If DTC P0011 or P0021 is displayed with DTC P0075 or P0081, first perform trouble diagnosis for DTC P0075 or P0081. Refer to [EC-108](#).
- If DTC Confirmation Procedure has been previously conducted, always turn ignition switch OFF and wait at least 10 seconds before conducting the next step.

1. Turn ignition switch OFF and wait at least 10 seconds.
2. Turn ignition switch ON.
3. Turn ignition switch OFF and wait at least 10 seconds.

#### TESTING CONDITION:

Before performing the following procedure, confirm that battery voltage is between 10V and 16V at idle.

#### WITH CONSULT-III

1. Turn ignition switch ON and select "DATA MONITOR" mode with CONSULT-III.
2. Start engine and warm it up to the normal operating temperature.
3. Maintain the following conditions for at least 6 consecutive seconds. Hold the accelerator pedal as steady as possible.

ENG SPEED	1,200 - 2,000 rpm
COOLAN TEMP/S	More than 60°C (140°F)
B/FUEL SCHDL	More than 3.5 msec
Selector lever	P or N position

4. Stop vehicle with engine running and let engine idle for 10 seconds.
5. Check 1st trip DTC.
6. If the 1st trip DTC is detected, go to [EC-99, "Diagnosis Procedure"](#).  
If the 1st trip DTC is not detected, go to next step.
7. Maintain the following conditions for at least 20 consecutive seconds.

ENG SPEED	1,700 - 3,175 rpm (A constant rotation is maintained.)
COOLAN TEMP/S	More than 70°C (158°F)

# P0011, P0021 IVT CONTROL

[VQ40DE]

## < COMPONENT DIAGNOSIS >

Selector lever	1st or 2nd position
Driving location uphill	Driving vehicle uphill (Increased engine load will help maintain the driving conditions required for this test.)

8. Check 1st trip DTC.

9. If the 1st trip DTC is detected, go to [EC-99. "Diagnosis Procedure"](#).

### WITH GST

Follow the procedure "WITH CONSULT-III" above.

## Diagnosis Procedure

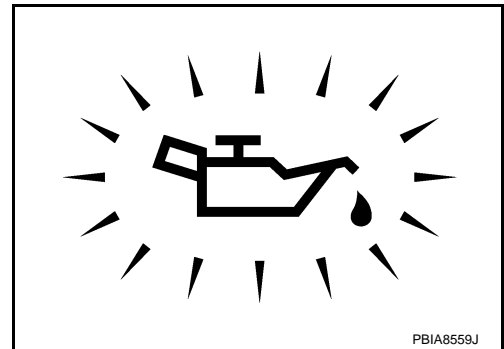
INFOID:000000004297279

### 1. CHECK OIL PRESSURE WARNING LAMP

1. Start engine.
2. Check oil pressure warning lamp and confirm it is not illuminated.

#### OK or NG

- OK >> GO TO 2.  
NG >> Go to [LU-8. "Inspection"](#).



### 2. CHECK INTAKE VALVE TIMING CONTROL SOLENOID VALVE

Refer to [EC-100. "Component Inspection"](#).

#### OK or NG

- OK >> GO TO 3.  
NG >> Replace malfunctioning intake valve timing control solenoid valve.

### 3. CHECK CRANKSHAFT POSITION SENSOR (POS)

Refer to [EC-215. "Component Inspection"](#).

#### OK or NG

- OK >> GO TO 4.  
NG >> Replace crankshaft position sensor (POS).

### 4. CHECK CAMSHAFT POSITION SENSOR (PHASE)

Refer to [EC-220. "Component Inspection"](#).

#### OK or NG

- OK >> GO TO 5.  
NG >> Replace malfunctioning camshaft position sensor (PHASE).

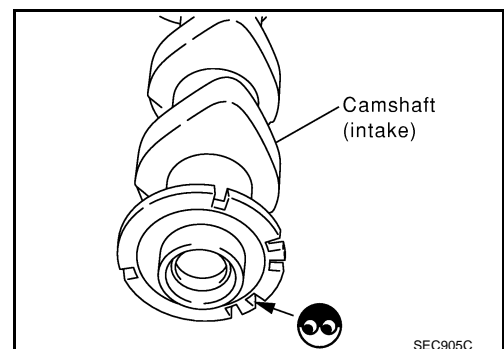
### 5. CHECK CAMSHAFT (INTAKE)

Check the following.

- Accumulation of debris on the signal plate of camshaft rear end
- Chipping signal plate of camshaft rear end

#### OK or NG

- OK >> GO TO 6.  
NG >> Remove debris and clean the signal plate of camshaft rear end or replace camshaft.



< COMPONENT DIAGNOSIS >

6. CHECK TIMING CHAIN INSTALLATION

Check service records for any recent repairs that may cause timing chain misalignment.  
**Are there any service records that may cause timing chain misalignment?**

Yes or No

- Yes >> Check timing chain installation. Refer to [EM-61, "Removal and Installation"](#).
- No >> GO TO 7.

7. CHECK LUBRICATION CIRCUIT

Refer to [EM-61, "Removal and Installation"](#).

OK or NG

- OK >> GO TO 8.
- NG >> Clean lubrication line.

8. CHECK INTERMITTENT INCIDENT

Refer to [GI-49, "Intermittent Incident"](#).

>> **INSPECTION END**

Component Inspection

INFOID:000000004297280

INTAKE VALVE TIMING CONTROL SOLENOID VALVE

1. Disconnect intake valve timing control solenoid valve harness connector.
2. Check resistance between intake valve timing control solenoid valve as follows.

Terminal	Resistance
1 and 2	7.0 - 7.7Ω at 20°C (68°F)
1 or 2 and ground	∞Ω (Continuity should not exist.)

If NG, replace intake valve timing control solenoid valve.  
 If OK, go to next step.

3. Remove intake valve timing control solenoid valve.
4. Provide 12V DC between intake valve timing control solenoid valve terminals and then interrupt it. Make sure that the plunger moves as shown in the figure.

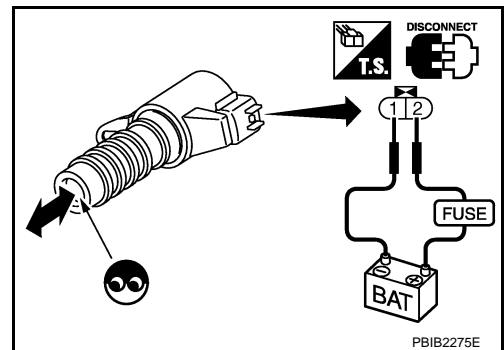
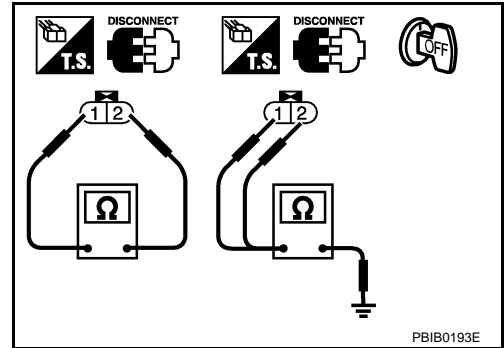
**CAUTION:**

**Never apply 12V DC continuously for 5 seconds or more. Doing so may result in damage to the coil in intake valve timing control solenoid valve.**

If NG, replace intake valve timing control solenoid valve.

**NOTE:**

**Always replace O-ring when intake valve timing control solenoid valve is removed.**





# P0031, P0032, P0051, P0052 A/F SENSOR 1 HEATER

< COMPONENT DIAGNOSIS >

[VQ40DE]

## P0031, P0032, P0051, P0052 A/F SENSOR 1 HEATER

### Description

INFOID:000000004297281

### SYSTEM DESCRIPTION

Sensor	Input Signal to ECM	ECM function	Actuator
Camshaft position sensor (PHASE) Crankshaft position sensor (POS)	Engine speed	Air fuel ratio (A/F) sensor 1 heater control	Air fuel ratio (A/F) sensor 1 heater
Mass air flow sensor	Amount of intake air		

The ECM performs ON/OFF duty control of the A/F sensor 1 heater corresponding to the engine operating condition to keep the temperature of A/F sensor 1 element within the specified range.

### On Board Diagnosis Logic

INFOID:000000004297282

DTC No.	Trouble diagnosis name	DTC detecting condition	Possible cause
P0031 0031 (Bank 1)	Air fuel ratio (A/F) sensor 1 heater control circuit low	The current amperage in the A/F sensor 1 heater circuit is out of the normal range. (An excessively low voltage signal is sent to ECM through the A/F sensor 1 heater.)	<ul style="list-style-type: none"><li>• Harness or connectors (The A/F sensor 1 heater circuit is open or shorted.)</li><li>• A/F sensor 1 heater</li></ul>
P0051 0051 (Bank 2)			
P0032 0032 (Bank 1)	Air fuel ratio (A/F) sensor 1 heater control circuit high	The current amperage in the A/F sensor 1 heater circuit is out of the normal range. (An excessively high voltage signal is sent to ECM through the A/F sensor 1 heater.)	<ul style="list-style-type: none"><li>• Harness or connectors (The A/F sensor 1 heater circuit is shorted.)</li><li>• A/F sensor 1 heater</li></ul>
P0052 0052 (Bank 2)			

### DTC Confirmation Procedure

INFOID:000000004297283

#### NOTE:

If DTC Confirmation Procedure has been previously conducted, always turn ignition switch OFF and wait at least 10 seconds before conducting the next step.

1. Turn ignition switch OFF and wait at least 10 seconds.
2. Turn ignition switch ON.
3. Turn ignition switch OFF and wait at least 10 seconds.

#### TESTING CONDITION:

Before performing the following procedure, confirm that battery voltage is between 10.5V and 16V at idle.

1. Start engine and let it idle for at least 10 seconds.
2. Check 1st trip DTC.
3. If 1st trip DTC is detected, go to [EC-101, "Diagnosis Procedure"](#).

### Diagnosis Procedure

INFOID:000000004297284

#### 1. CHECK GROUND CONNECTIONS

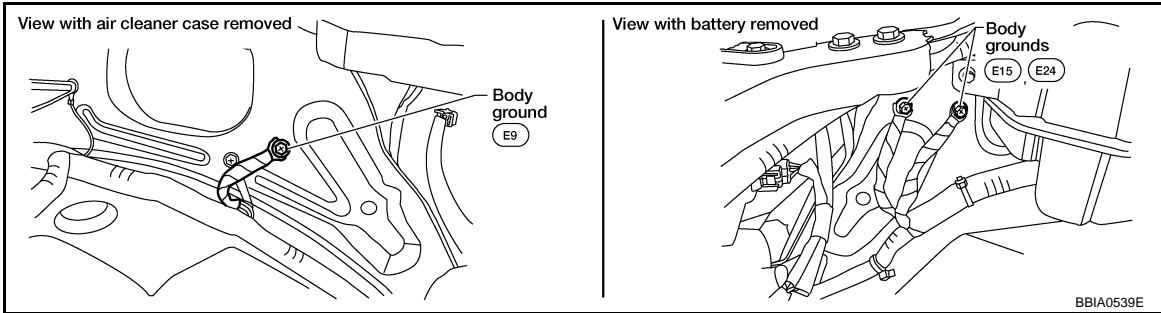
1. Turn ignition switch OFF.

# P0031, P0032, P0051, P0052 A/F SENSOR 1 HEATER

[VQ40DE]

## < COMPONENT DIAGNOSIS >

- Loosen and retighten three ground screws on the body. Refer to [EC-95, "Ground Inspection"](#).

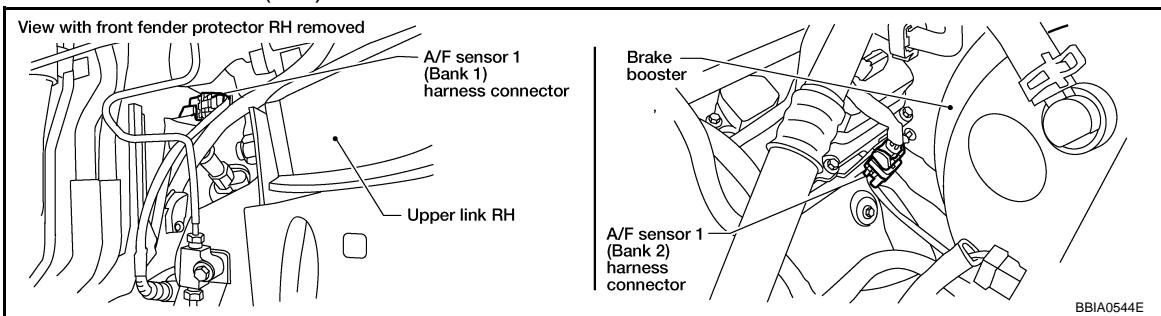


### OK or NG

- OK >> GO TO 2.
- NG >> Repair or Replace ground connections.

## 2.CHECK AIR FUEL RATIO (A/F) SENSOR 1 POWER SUPPLY CIRCUIT

- Disconnect air fuel ratio (A/F) sensor 1 harness connector.

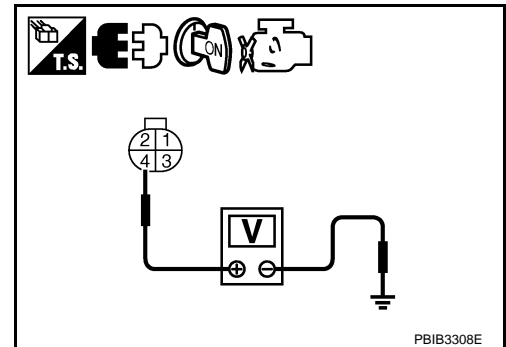


- Turn ignition switch ON.
- Check voltage between air fuel ratio sensor 1 terminal 4 and ground with CONSULT-III or tester.

**Voltage: Battery voltage**

### OK or NG

- OK >> GO TO 4.
- NG >> GO TO 3.



## 3.DETECT MALFUNCTIONING PART

Check the following.

- Harness connectors E2, F32
- IPDM E/R harness connector E119
- 15 A fuse (No.54)
- Harness for open or short between air fuel ratio sensor 1 and fuse

>> Repair or replace harness or connectors.

## 4.CHECK AIR FUEL RATIO (A/F) SENSOR 1 HEATER OUTPUT SIGNAL CIRCUIT

- Turn ignition switch OFF.
- Disconnect ECM harness connector.
- Check harness continuity between ECM terminal 2 (bank 2) or 24, 43 (bank 1) and air fuel ratio (A/F) sensor 1 terminal 3. Refer to Wiring Diagram.

**Continuity should exist.**

- Also check harness for short to ground or short to power.

# P0031, P0032, P0051, P0052 A/F SENSOR 1 HEATER

[VQ40DE]

## < COMPONENT DIAGNOSIS >

### OK or NG

OK >> GO TO 5.

NG >> Repair open circuit or short to ground or short to power in harness or connectors.

## 5. CHECK AIR FUEL RATIO (A/F) SENSOR 1 HEATER

Refer to [EC-103, "Component Inspection"](#).

### OK or NG

OK >> GO TO 6.

NG >> GO TO 7.

## 6. CHECK INTERMITTENT INCIDENT

Perform [GI-49, "Intermittent Incident"](#).

### OK or NG

OK >> GO TO 7.

NG >> Repair or replace.

## 7. REPLACE AIR FUEL RATIO (A/F) SENSOR 1

Replace malfunctioning air fuel ratio (A/F) sensor 1.

### CAUTION:

- Discard any air fuel ratio (A/F) sensor which has been dropped from a height of more than 0.5 m (19.7 in) onto a hard surface such as a concrete floor; use a new one.
- Before installing new air fuel ratio (A/F) sensor, clean exhaust system threads using Heated Oxygen Sensor Thread Cleaner tool J-43897-18 or J-43897-12 and approved anti-seize lubricant.

>> INSPECTION END

## Component Inspection

INFOID:000000004297285

### AIR FUEL RATIO (A/F) SENSOR 1 HEATER

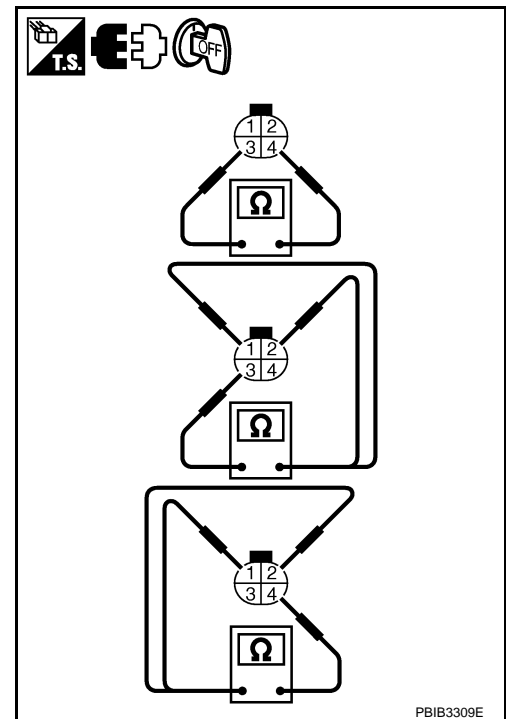
1. Check resistance between A/F sensor 1 terminals as follows.

Terminal No.	Resistance
3 and 4	1.80 - 2.44 $\Omega$ [at 25°C (77°F)]
3 and 1, 2	$\infty \Omega$
4 and 1, 2	(Continuity should not exist)

2. If NG, replace air fuel ratio (A/F) sensor 1.

### CAUTION:

- Discard any A/F sensor which has been dropped from a height of more than 0.5 m (19.7 in) onto a hard surface such as a concrete floor; use a new one.
- Before installing new A/F sensor, clean exhaust system threads using Heated Oxygen Sensor Thread Cleaner tool J-43897-18 or J-43897-12 and approved anti-seize lubricant.



PBIB3309E

# P0037, P0038, P0057, P0058 HO2S2 HEATER

< COMPONENT DIAGNOSIS >

[VQ40DE]

## P0037, P0038, P0057, P0058 HO2S2 HEATER

### Description

INFOID:000000004297286

### SYSTEM DESCRIPTION

Sensor	Input signal to ECM	ECM function	Actuator
Camshaft position sensor (PHASE) Crankshaft position sensor (POS)	Engine speed	Heated oxygen sensor 2 heater control	Heated oxygen sensor 2 heater
Engine coolant temperature sensor	Engine coolant temperature		
Mass air flow sensor	Amount of intake air		

The ECM performs ON/OFF control of the heated oxygen sensor 2 heater corresponding to the engine speed, amount of intake air and engine coolant temperature.

### OPERATION

Engine speed rpm	Heated oxygen sensor 2 heater
Above 3,600	OFF
Below 3,600 rpm after the following conditions are met. <ul style="list-style-type: none"><li>• Engine: After warming up</li><li>• Keeping the engine speed between 3,500 and 4,000 rpm for 1 minute and at idle for 1 minute under no load</li></ul>	ON

### On Board Diagnosis Logic

INFOID:000000004297287

DTC No.	Trouble diagnosis name	DTC detecting condition	Possible cause
P0037 0037 (Bank 1) P0057 0057 (Bank 2)	Heated oxygen sensor 2 heater control circuit low	The current amperage in the heated oxygen sensor 2 heater circuit is out of the normal range. (An excessively low voltage signal is sent to ECM through the heated oxygen sensor 2 heater.)	<ul style="list-style-type: none"><li>• Harness or connectors (The heated oxygen sensor 2 heater circuit is open or shorted.)</li><li>• Heater oxygen sensor 2 heater</li></ul>
P0038 0038 (Bank 1) P0058 0058 (Bank 2)	Heated oxygen sensor 2 heater control circuit high	The current amperage in the heated oxygen sensor 2 heater circuit is out of the normal range. (An excessively high voltage signal is sent to ECM through the heated oxygen sensor 2 heater.)	<ul style="list-style-type: none"><li>• Harness or connectors (The heated oxygen sensor 2 heater circuit is shorted.)</li><li>• Heater oxygen sensor 2 heater</li></ul>

### DTC Confirmation Procedure

INFOID:000000004297288

#### NOTE:

If DTC Confirmation Procedure has been previously conducted, always perform the following before conducting the next step.

1. Turn ignition switch OFF and wait at least 10 seconds.
2. Turn ignition switch ON.
3. Turn ignition switch OFF and wait at least 10 seconds.

#### TESTING CONDITION:

**Before performing the following procedure, confirm that battery voltage is between 10.5V and 16V at idle.**

#### Ⓟ WITH CONSULT-III

1. Turn ignition switch ON and select "DATA MONITOR" mode with CONSULT-III.
2. Start engine and warm it up to the normal operating temperature.
3. Turn ignition switch OFF and wait at least 10 seconds.

# P0037, P0038, P0057, P0058 HO2S2 HEATER

[VQ40DE]

## < COMPONENT DIAGNOSIS >

4. Turn ignition switch ON.
5. Turn ignition switch OFF and wait at least 10 seconds.
6. Start the engine and keep the engine speed between 3,500 rpm and 4,000 rpm for at least 1 minute under no load.
7. Let engine idle for 1 minute.
8. Check 1st trip DTC.
9. If 1st trip DTC is detected, go to [EC-105. "Diagnosis Procedure"](#).

### WITH GST

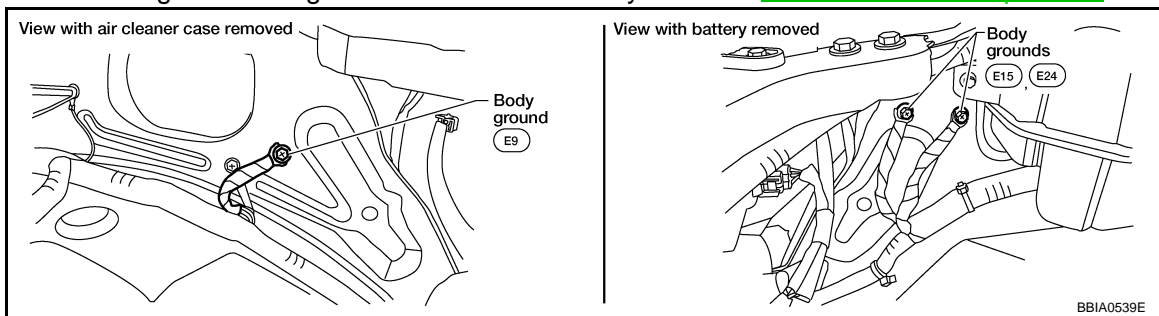
Follow the procedure "WITH CONSULT-III" above.

## Diagnosis Procedure

INFOID:000000004297289

### 1. CHECK GROUND CONNECTIONS

1. Turn ignition switch OFF.
2. Loosen and retighten three ground screws on the body. Refer to [EC-95. "Ground Inspection"](#).



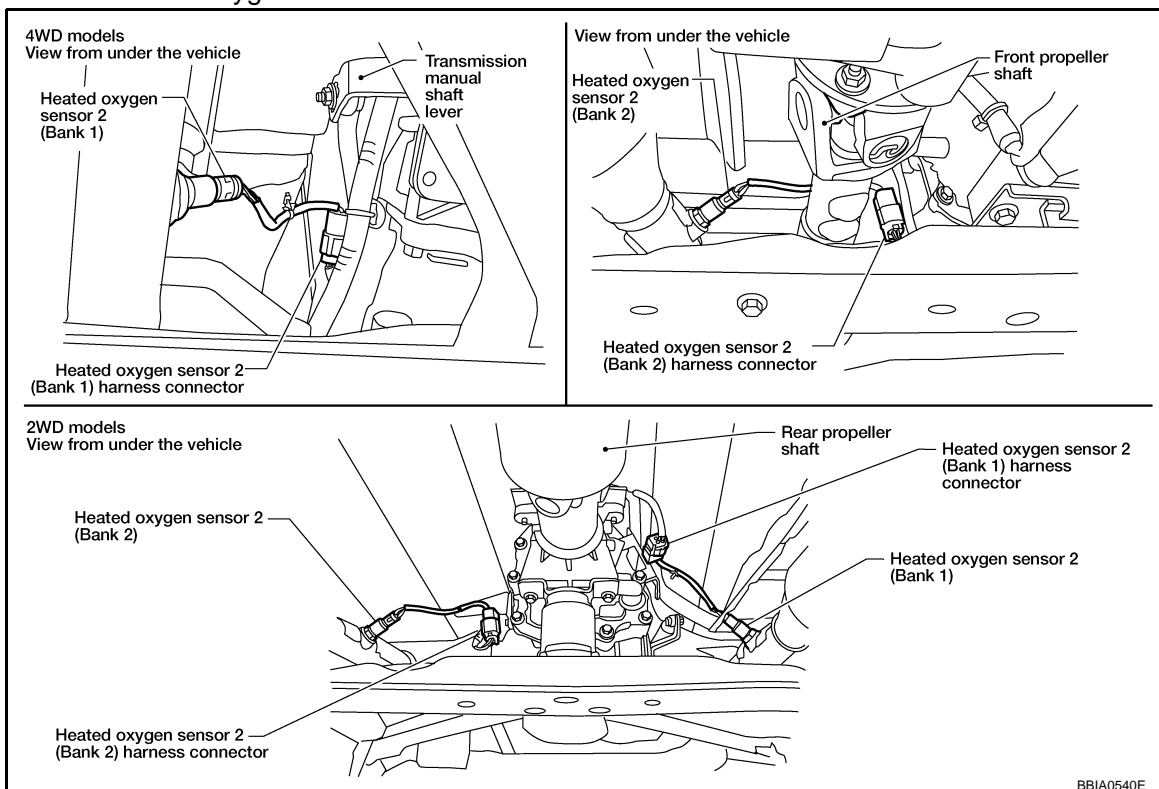
#### OK or NG

OK >> GO TO 2.

NG >> Repair or replace ground connections.

### 2. CHECK HO2S2 POWER SUPPLY CIRCUIT

1. Disconnect heated oxygen sensor 2 harness connector.



2. Turn ignition switch ON.

# P0037, P0038, P0057, P0058 HO2S2 HEATER

[VQ40DE]

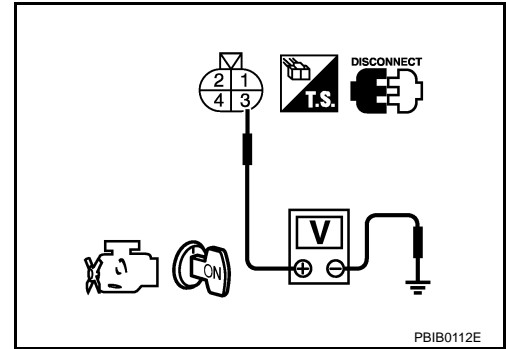
## < COMPONENT DIAGNOSIS >

3. Check voltage between HO2S2 terminal 3 and ground with CONSULT-III or tester.

**Voltage: Battery voltage**

### OK or NG

- OK >> GO TO 4.
- NG >> GO TO 3.



## 3. DETECT MALFUNCTIONING PART

Check the following.

- Harness connectors E2, F32
- IPDM E/R harness connector E119
- 15 A fuse (No.54)
- Harness for open or short between heated oxygen sensor 2 and fuse

>> Repair harness or connectors.

## 4. CHECK HO2S2 OUTPUT SIGNAL CIRCUIT FOR OPEN AND SHORT

1. Turn ignition switch OFF.
2. Disconnect ECM harness connector.
3. Check harness continuity between ECM terminal and HO2S2 terminal as follows. Refer to Wiring Diagram.

DTC	Terminals		Bank
	ECM	Sensor	
P0037, P0038	25	2	1
P0057, P0058	6	2	2

**Continuity should exist.**

4. Also check harness for short to ground and short to power.

### OK or NG

- OK >> GO TO 5.
- NG >> Repair open circuit or short to ground or short to power in harness or connectors.

## 5. CHECK HEATED OXYGEN SENSOR 2 HEATER

Refer to [EC-106. "Component Inspection"](#).

### OK or NG

- OK >> GO TO 6.
- NG >> Replace malfunctioning heated oxygen sensor 2.

## 6. CHECK INTERMITTENT INCIDENT

Refer to [GI-49. "Intermittent Incident"](#).

>> **INSPECTION END**

Component Inspection

HEATED OXYGEN SENSOR 2 HEATER

INFOID:000000004297290

# P0037, P0038, P0057, P0058 HO2S2 HEATER

[VQ40DE]

## < COMPONENT DIAGNOSIS >

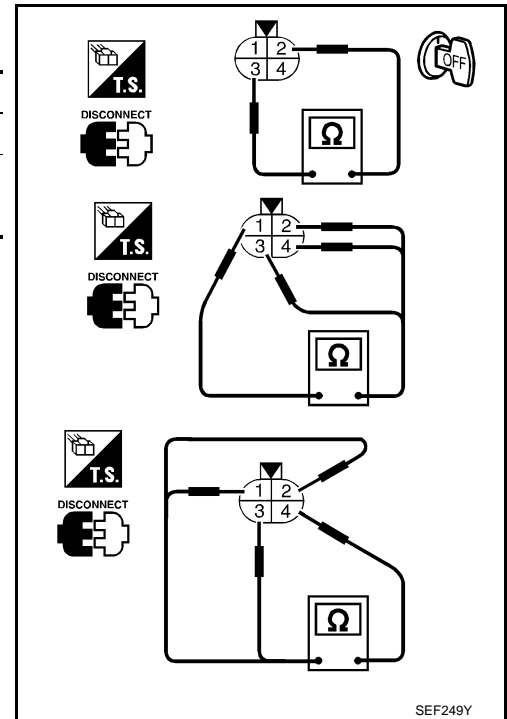
1. Check resistance between HO2S2 terminals as follows.

Terminal No.	Resistance
2 and 3	9.9 - 13.3 $\Omega$ at 25°C (77°F)
1 and 2, 3, 4	$\infty$ $\Omega$
4 and 1, 2, 3	(Continuity should not exist)

2. If NG, replace heated oxygen sensor 2.

### CAUTION:

- Discard any heated oxygen sensor which has been dropped from a height of more than 0.5 m (19.7 in) onto a hard surface such as a concrete floor; use a new one.
- Before installing new oxygen sensor, clean exhaust system threads using Oxygen Sensor Thread Cleaner tool J-43897-18 or J-43897-12 and approved anti-seize lubricant.



SEF249Y

A  
EC  
C  
D  
E  
F  
G  
H  
I  
J  
K  
L  
M  
N  
O  
P

# P0075, P0081 IVT CONTROL SOLENOID VALVE

< COMPONENT DIAGNOSIS >

[VQ40DE]

## P0075, P0081 IVT CONTROL SOLENOID VALVE

### Component Description

INFOID:000000004297291

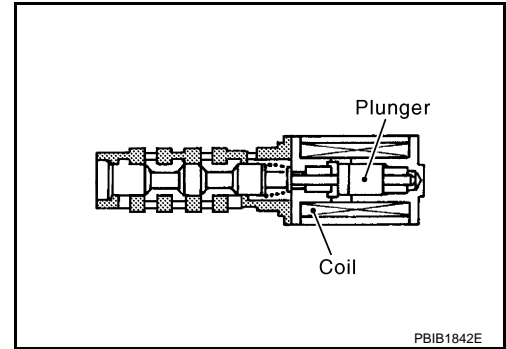
Intake valve timing control solenoid valve is activated by ON/OFF pulse duty (ratio) signals from the ECM.

The intake valve timing control solenoid valve changes the oil amount and direction of flow through intake valve timing control unit or stops oil flow.

The longer pulse width advances valve angle.

The shorter pulse width retards valve angle.

When ON and OFF pulse widths become equal, the solenoid valve stops oil pressure flow to fix the intake valve angle at the control position.



### On Board Diagnosis Logic

INFOID:000000004297292

DTC No.	Trouble diagnosis name	DTC detecting condition	Possible cause
P0075 0075 (Bank 1)	Intake valve timing control solenoid valve circuit	An improper voltage is sent to the ECM through intake valve timing control solenoid valve.	<ul style="list-style-type: none"> <li>• Harness or connectors (Intake valve timing control solenoid valve circuit is open or shorted.)</li> <li>• Intake valve timing control solenoid valve</li> </ul>
P0081 0081 (Bank 2)			

### DTC Confirmation Procedure

INFOID:000000004297293

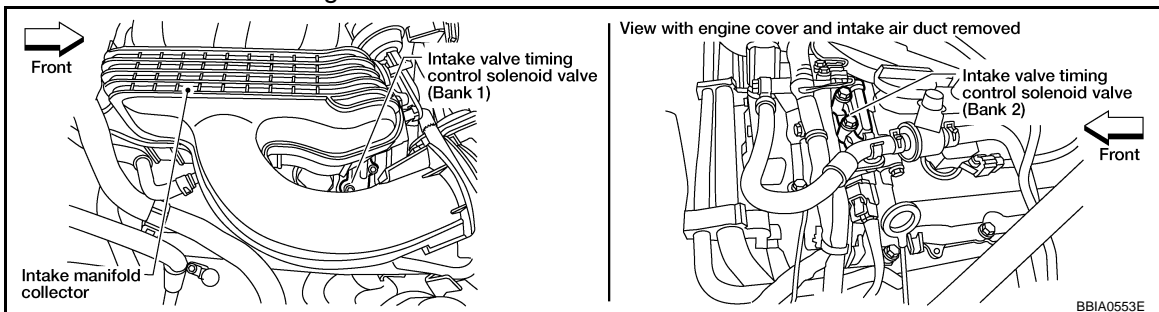
1. If DTC Confirmation Procedure has been previously conducted, always perform the following before conducting the next step.
  - a. Turn ignition switch OFF and wait at least 10 seconds.
  - b. Turn ignition switch ON.
  - c. Turn ignition switch OFF and wait at least 10 seconds.
2. Start engine and let it idle for 5 seconds.
3. Check 1st trip DTC.
4. If 1st trip DTC is detected, go to [EC-108. "Diagnosis Procedure"](#).

### Diagnosis Procedure

INFOID:000000004297294

#### 1. CHECK INTAKE VALVE TIMING CONTROL SOLENOID VALVE POWER SUPPLY CIRCUIT

1. Turn ignition switch OFF.
2. Disconnect intake valve timing control solenoid valve harness connector.



3. Turn ignition switch ON.



# P0075, P0081 IVT CONTROL SOLENOID VALVE

[VQ40DE]

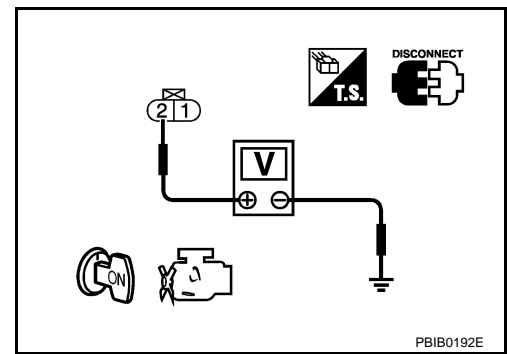
## < COMPONENT DIAGNOSIS >

4. Check voltage between intake valve timing control solenoid valve terminal 2 and ground with CONSULT-III or tester.

**Voltage: Battery voltage**

### OK or NG

- OK >> GO TO 3.
- NG >> GO TO 2.



## 2. DETECT MALFUNCTIONING PART

Check the following.

- Harness connectors E2, F32
- Harness connectors F26, F225 (bank 1)
- Harness for open or short between intake valve timing control solenoid valve and IPDM E/R
- Harness for open or short between intake valve timing control solenoid valve and ECM

>> Repair harness or connectors.

## 3. CHECK INTAKE VALVE TIMING CONTROL SOLENOID VALVE OUTPUT SIGNAL CIRCUIT FOR OPEN AND SHORT

1. Turn ignition switch OFF.
2. Disconnect ECM harness connector.
3. Check harness continuity between ECM terminal 11 (bank 1) or 10 (bank 2) and intake valve timing control solenoid valve terminal 1. Refer to Wiring Diagram.

**Continuity should exist.**

4. Also check harness for short to ground and short to power.

### OK or NG

- OK >> GO TO 5.
- NG >> GO TO 4.

## 4. DETECT MALFUNCTIONING PART

Check the following.

- Harness connectors F26, F225 (bank 1)
- Harness for open and short between ECM and intake valve timing control solenoid valve

>> Repair open circuit or short to ground or short to power in harness or connectors.

## 5. CHECK INTAKE VALVE TIMING CONTROL SOLENOID VALVE

Refer to [EC-109. "Component Inspection"](#).

### OK or NG

- OK >> GO TO 6.
- NG >> Replace malfunctioning intake valve timing control solenoid valve.

## 6. CHECK INTERMITTENT INCIDENT

Refer to [GI-49. "Intermittent Incident"](#).

>> **INSPECTION END**

## Component Inspection

INFOID:000000004297295

## INTAKE VALVE TIMING CONTROL SOLENOID VALVE

1. Disconnect intake valve timing control solenoid valve harness connector.

# P0075, P0081 IVT CONTROL SOLENOID VALVE

[VQ40DE]

## < COMPONENT DIAGNOSIS >

- Check resistance between intake valve timing control solenoid valve as follows.

Terminal	Resistance
1 and 2	7.0 - 7.7Ω at 20°C (68°F)
1 or 2 and ground	∞Ω (Continuity should not exist.)

If NG, replace intake valve timing control solenoid valve.  
If OK, go to next step.

- Remove intake valve timing control solenoid valve.
- Provide 12V DC between intake valve timing control solenoid valve terminals and then interrupt it. Make sure that the plunger moves as shown in the figure.

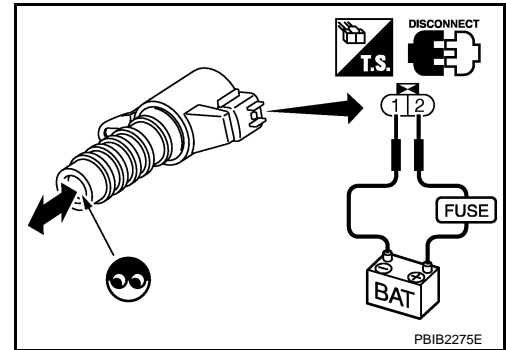
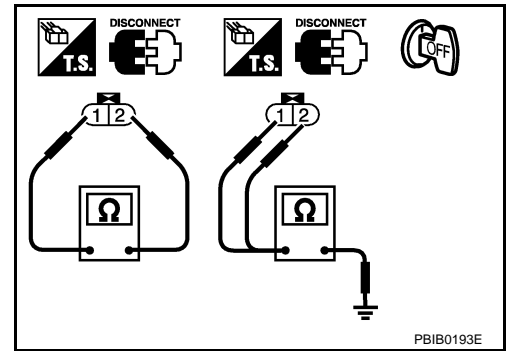
**CAUTION:**

**Never apply 12V DC continuously for 5 seconds or more. Doing so may result in damage to the coil in intake valve timing control solenoid valve.**

If NG, replace intake valve timing control solenoid valve.

**NOTE:**

**Always replace O-ring when intake valve timing control solenoid valve is removed.**

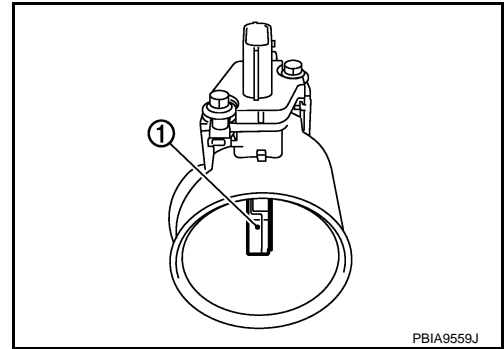


P0101 MAF SENSOR

Component Description

INFOID:000000004297296

The mass air flow sensor (1) is placed in the stream of intake air. It measures the intake flow rate by measuring a part of the entire intake flow. The mass air flow sensor controls the temperature of the hot wire to a certain amount. The heat generated by the hot wire is reduced as the intake air flows around it. The greater air flow, the greater the heat loss. Therefore, the electric current supplied to hot wire is changed to maintain the temperature of the hot wire as air flow increases. The ECM detects the air flow by means of this current change.



On Board Diagnosis Logic

INFOID:000000004297297

DTC No.	Trouble diagnosis name	DTC detecting condition		Possible cause
P0101 0101	Mass air flow sensor circuit range/performance	A)	A high voltage from the sensor is sent to ECM under light load driving condition.	<ul style="list-style-type: none"> <li>• Harness or connectors (The sensor circuit is open or shorted.)</li> <li>• Mass air flow sensor</li> <li>• EVAP control system pressure sensor</li> <li>• Intake air temperature sensor</li> </ul>
		B)	A low voltage from the sensor is sent to ECM under heavy load driving condition.	<ul style="list-style-type: none"> <li>• Harness or connectors (The sensor circuit is open or shorted.)</li> <li>• Intake air leaks</li> <li>• Mass air flow sensor</li> <li>• EVAP control system pressure sensor</li> <li>• Intake air temperature sensor</li> </ul>

DTC Confirmation Procedure

INFOID:000000004297298

Perform **PROCEDURE FOR MALFUNCTION A** first.  
If the DTC cannot be confirmed, perform **PROCEDURE FOR MALFUNCTION B**.

**NOTE:**

If DTC Confirmation Procedure has been previously conducted, always perform the following before conducting the next step.

**PROCEDURE FOR MALFUNCTION A**

**NOTE:**

If engine will not start or stops soon, wait at least 10 seconds with engine stopped (Ignition switch ON) instead of running engine at idle speed.

1. Turn ignition switch OFF and wait at least 10 seconds.
2. Turn ignition switch ON.
3. Turn ignition switch OFF and wait at least 10 seconds.

With CONSULT-III

1. Start engine and warm it up to normal operating temperature.
2. Run engine for at least 10 seconds at idle speed.
3. Check 1st trip DTC.
4. If 1st trip DTC is detected, go to [EC-113. "Diagnosis Procedure"](#).

With GST

Follow the procedure "With CONSULT-III" above.

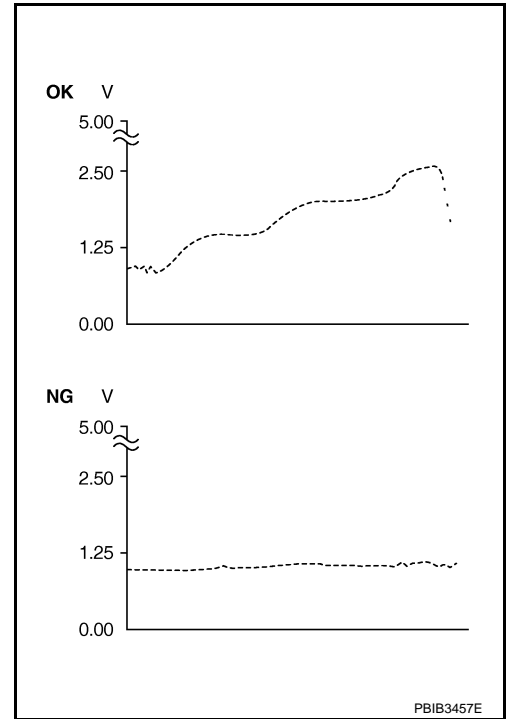
**PROCEDURE FOR MALFUNCTION B**

**CAUTION:**

Always drive vehicle at a safe speed.

④ With CONSULT-III

1. Start engine and warm it up to normal operating temperature.  
**If engine cannot be started, go to EC-113, "Diagnosis Procedure".**
2. Select "DATA MONITOR" mode with CONSULT-III.
3. Check the voltage of "MAS A/F SE-B1" with "DATA MONITOR".
4. Increases engine speed to about 4,000 rpm.
5. Monitor the linear voltage rise in response to engine speed increases.  
 If NG, go to [EC-113, "Diagnosis Procedure"](#).  
 If OK, go to following step.



6. Maintain the following conditions for at least 10 consecutive seconds.

ENG SPEED	More than 2,000 rpm
THRTL SEN 1	More than 1.5 V
THRTL SEN 2	More than 1.5 V
Selector lever	Suitable position
Driving location	Driving vehicle uphill (Increased engine load) will help maintain the driving conditions required for this test.

7. Check 1st trip DTC.
8. If 1st trip DTC is detected, go to [EC-113, "Diagnosis Procedure"](#).

## Overall Function Check

INFOID:000000004297299

### PROCEDURE FOR MALFUNCTION B

Use this procedure to check the overall function of the mass air flow sensor circuit. During this check, a 1st trip DTC might not be confirmed.

④ With GST

1. Start engine and warm it up to normal operating temperature.
2. Select Service \$01 with GST.

# P0101 MAF SENSOR

[VQ40DE]

## < COMPONENT DIAGNOSIS >

3. Check the mass air flow sensor signal with Service \$01.
4. Check for linear mass air flow sensor signal value rise in response to increases to about 4,000 rpm in engine speed.
5. If NG, go to [EC-113. "Diagnosis Procedure"](#).

CALC LOAD	20%
COOLANT TEMP	95°C
SHORT FT #1	2%
LONG FT #1	0%
SHORT FT #2	4%
LONG FT #2	0%
ENGINE SPD	2637RPM
VEHICLE SPD	0MPH
IGN ADVANCE	41.0°
INTAKE AIR	41°C
<b>MAF</b>	<b>14.1gm/sec</b>
THROTTLE POS	3%

SEF534P

INFOID:000000004297300

## Diagnosis Procedure

### 1.INSPECTION START

Which malfunction (A or B) is duplicated?

A or B

- A >> GO TO 3.
- B >> GO TO 2.

### 2.CHECK INTAKE SYSTEM

Check the following for connection.

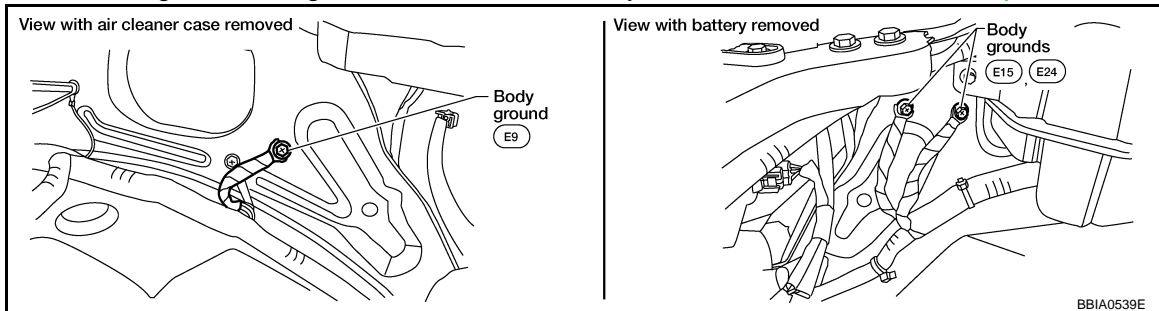
- Air duct
- Vacuum hoses
- Intake air passage between air duct and intake manifold

OK or NG

- OK >> GO TO 3.
- NG >> Reconnect the parts.

### 3.CHECK GROUND CONNECTIONS

1. Turn ignition switch OFF.
2. Loosen and retighten three ground screws on the body. Refer to [EC-95. "Ground Inspection"](#).

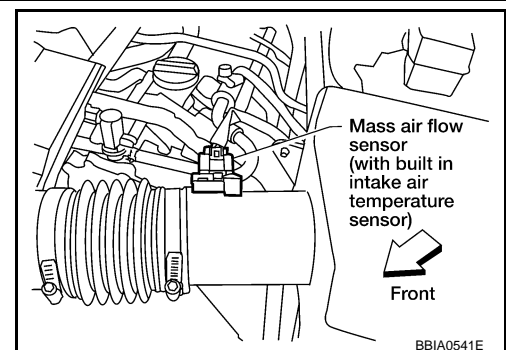


OK or NG

- OK >> GO TO 4.
- NG >> Repair or replace ground connections.

### 4.CHECK MAF SENSOR POWER SUPPLY CIRCUIT

1. Disconnect mass air flow (MAF) sensor harness connector.
2. Turn ignition switch ON.



# P0101 MAF SENSOR

[VQ40DE]

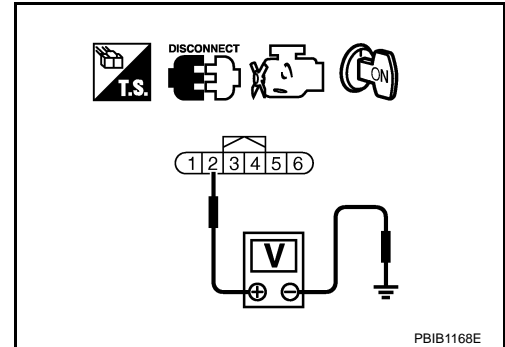
## < COMPONENT DIAGNOSIS >

3. Check voltage between MAF sensor terminal 2 and ground with CONSULT-III or tester.

**Voltage: Battery voltage**

### OK or NG

- OK >> GO TO 6.  
NG >> GO TO 5.



## 5. DETECT MALFUNCTIONING PART

Check the following.

- Harness connectors E2, F32
- Harness for open or short between IPDM E/R and mass air flow sensor
- Harness for open or short between mass air flow sensor and ECM

>> Repair harness or connectors.

## 6. CHECK MAF SENSOR GROUND CIRCUIT FOR OPEN AND SHORT

1. Turn ignition switch OFF.
2. Disconnect ECM harness connector.
3. Check harness continuity between MAF sensor terminal 3 and ECM terminal 67.  
Refer to Wiring Diagram.

**Continuity should exist.**

4. Also check harness for short to ground and short to power.

### OK or NG

- OK >> GO TO 7.  
NG >> Repair open circuit or short to ground or short to power in harness or connectors.

## 7. CHECK MAF SENSOR INPUT SIGNAL CIRCUIT FOR OPEN AND SHORT

1. Check harness continuity between MAF sensor terminal 4 and ECM terminal 51.  
Refer to Wiring Diagram.

**Continuity should exist.**

2. Also check harness for short to ground and short to power.

### OK or NG

- OK >> GO TO 8.  
NG >> Repair open circuit or short to ground or short to power in harness or connectors.

## 8. CHECK INTAKE AIR TEMPERATURE SENSOR

Refer to [EC-124, "Component Inspection"](#).

### OK or NG

- OK >> GO TO 9.  
NG >> Replace intake air temperature sensor.

## 9. CHECK EVAP CONTROL SYSTEM PRESSURE SENSOR

Refer to [EC-256, "Component Inspection"](#).

### OK or NG

- OK >> GO TO 10.  
NG >> Replace EVAP control system pressure sensor.

## 10. CHECK MASS AIR FLOW SENSOR

Refer to [EC-115, "Component Inspection"](#).

# P0101 MAF SENSOR

[VQ40DE]

## < COMPONENT DIAGNOSIS >

### OK or NG

- OK >> GO TO 11.
- NG >> Replace mass air flow sensor.

## 11. CHECK INTERMITTENT INCIDENT

Refer to [GI-49. "Intermittent Incident"](#).

>> **INSPECTION END**

## Component Inspection

INFOID:000000004297301

## MASS AIR FLOW SENSOR

### With CONSULT-III

1. Reconnect all harness connectors disconnected.
2. Start engine and warm it up to normal operating temperature.
3. Connect CONSULT-III and select "DATA MONITOR" mode.
4. Select "MAS A/F SE-B1" and check indication under the following conditions.

Condition	MAS A/F SE-B1 (V)
Ignition switch ON (Engine stopped.)	Approx. 0.4
Idle (Engine is warmed-up to normal operating temperature.)	0.9 - 1.2
2,500 rpm (Engine is warmed-up to normal operating temperature.)	1.5 - 1.8
Idle to about 4,000 rpm	0.9 - 1.2 to Approx. 2.4*

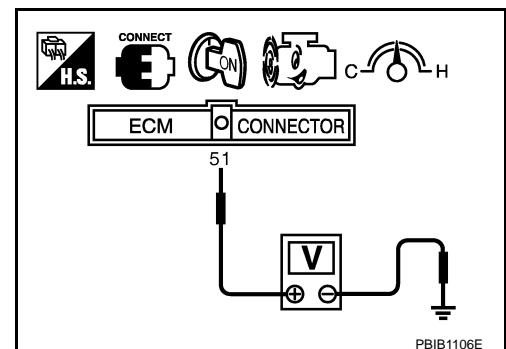
\*: Check for linear voltage rise in response to engine being increased to about 4,000 rpm.

5. If the voltage is out of specification, proceed the following.
  - a. Check for the cause of uneven air flow through mass air flow sensor. Refer to following.
    - Crushed air ducts
    - Malfunctioning seal of air cleaner element
    - Uneven dirt of air cleaner element
    - Improper specification of intake air system parts
  - b. If NG, repair or replace malfunctioning part and perform step 2 to 4 again. If OK, go to next step.
6. Turn ignition switch OFF.
7. Disconnect mass air flow sensor harness connector and reconnect it again.
8. Perform step 2 to 4 again.
9. If NG, clean or replace mass air flow sensor.

### Without CONSULT-III

1. Reconnect all harness connectors disconnected.
2. Start engine and warm it up to normal operating temperature.
3. Check voltage between ECM terminal 51 (Mass air flow sensor signal) and ground.

Condition	Voltage V
Ignition switch ON (Engine stopped.)	Approx. 0.4
Idle (Engine is warmed-up to normal operating temperature.)	0.9 - 1.2
2,500 rpm (Engine is warmed-up to normal operating temperature.)	1.5 - 1.8
Idle to about 4,000 rpm	0.9 - 1.2 to Approx. 2.4*



## P0101 MAF SENSOR

[VQ40DE]

### < COMPONENT DIAGNOSIS >

---

\*: Check for linear voltage rise in response to engine being increased to about 4,000 rpm.

4. If the voltage is out of specification, proceed the following.
  - a. Check for the cause of uneven air flow through mass air flow sensor. Refer to following.
    - Crushed air ducts
    - Malfunctioning seal of air cleaner element
    - Uneven dirt of air cleaner element
    - Improper specification of intake air system parts
  - b. If NG, repair or replace malfunctioning part and perform step 2 to 3 again.  
If OK, go to next step.
5. Turn ignition switch OFF.
6. Disconnect mass air flow sensor harness connector and reconnect it again.
7. Perform step 2 and 3 again.
8. If NG, clean or replace mass air flow sensor.

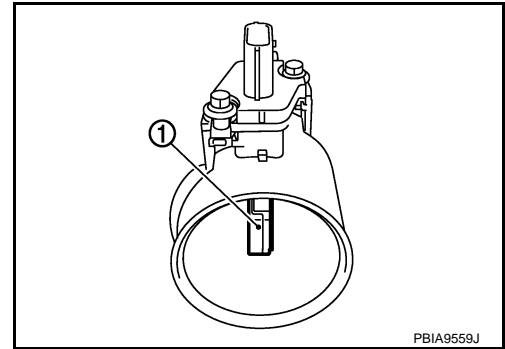


P0102, P0103 MAF SENSOR

Component Description

INFOID:000000004298007

The mass air flow sensor (1) is placed in the stream of intake air. It measures the intake flow rate by measuring a part of the entire intake flow. The mass air flow sensor controls the temperature of the hot wire to a certain amount. The heat generated by the hot wire is reduced as the intake air flows around it. The greater air flow, the greater the heat loss. Therefore, the electric current supplied to hot wire is changed to maintain the temperature of the hot wire as air flow increases. The ECM detects the air flow by means of this current change.



On Board Diagnosis Logic

INFOID:000000004297303

These self-diagnoses have the one trip detection logic.

DTC No.	Trouble diagnosis name	DTC detecting condition	Possible cause
P0102 0102	Mass air flow sensor circuit low input	An excessively low voltage from the sensor is sent to ECM.	<ul style="list-style-type: none"> <li>• Harness or connectors (The sensor circuit is open or shorted.)</li> <li>• Intake air leaks</li> <li>• Mass air flow sensor</li> </ul>
P0103 0103	Mass air flow sensor circuit high input	An excessively high voltage from the sensor is sent to ECM.	<ul style="list-style-type: none"> <li>• Harness or connectors (The sensor circuit is open or shorted.)</li> <li>• Mass air flow sensor</li> </ul>

FAIL-SAFE MODE

When the malfunction is detected, the ECM enters fail-safe mode and the MIL illuminate.

Detected items	Engine operating condition in fail-safe mode
Mass air flow sensor circuit	Engine speed will not rise more than 2,400 rpm due to the fuel cut.

DTC Confirmation Procedure

INFOID:000000004297304

**NOTE:**

If DTC Confirmation Procedure has been previously conducted, always perform the following before conducting the next step.

1. Turn ignition switch OFF and wait at least 10 seconds.
2. Turn ignition switch ON.
3. Turn ignition switch OFF and wait at least 10 seconds.

PROCEDURE FOR DTC P0102

1. Start engine and wait at least 5 seconds.
2. Check DTC.
3. If DTC is detected, go to [EC-118, "Diagnosis Procedure"](#).

PROCEDURE FOR DTC P0103

1. Turn ignition switch ON and wait at least 5 seconds.
2. Check DTC.
3. If DTC is detected, go to [EC-118, "Diagnosis Procedure"](#).  
If DTC is not detected, go to next step.
4. Start engine and wait at least 5 seconds.
5. Check DTC.
6. If DTC is detected, go to [EC-118, "Diagnosis Procedure"](#).

# P0102, P0103 MAF SENSOR

[VQ40DE]

< COMPONENT DIAGNOSIS >

INFOID:000000004297305

## Diagnosis Procedure

### 1.INSPECTION START

Which malfunction (P0102 or P0103) is duplicated?

P0102 or P0103

P0102 >> GO TO 2.

P0103 >> GO TO 3.

### 2.CHECK INTAKE SYSTEM

Check the following for connection.

- Air duct
- Vacuum hoses
- Intake air passage between air duct and intake manifold

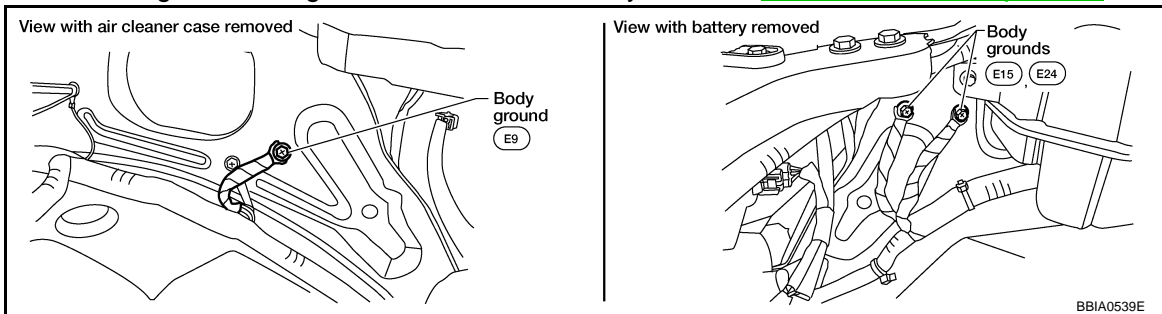
OK or NG

OK >> GO TO 3.

NG >> Reconnect the parts.

### 3.CHECK GROUND CONNECTIONS

1. Turn ignition switch OFF.
2. Loosen and retighten three ground screws on the body. Refer to [EC-95, "Ground Inspection"](#).



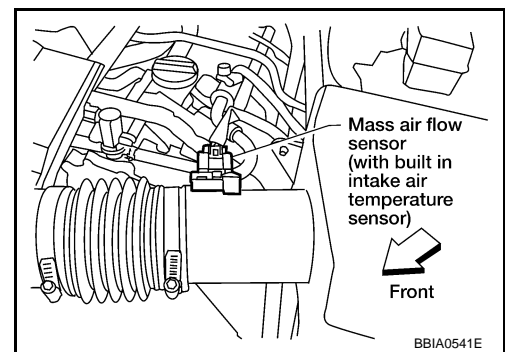
OK or NG

OK >> GO TO 4.

NG >> Repair or replace ground connections.

### 4.CHECK MAF SENSOR POWER SUPPLY CIRCUIT

1. Disconnect mass air flow (MAF) sensor harness connector.
2. Turn ignition switch ON.



# P0102, P0103 MAF SENSOR

[VQ40DE]

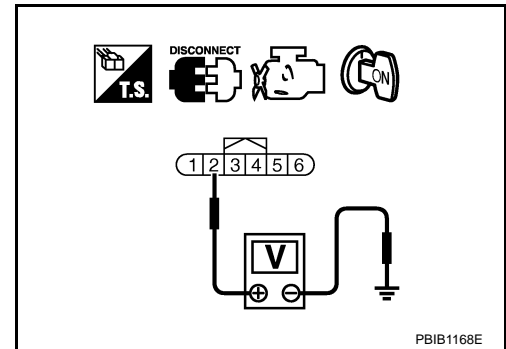
## < COMPONENT DIAGNOSIS >

3. Check voltage between MAF sensor terminal 2 and ground with CONSULT-III or tester.

**Voltage: Battery voltage**

### OK or NG

- OK >> GO TO 6.
- NG >> GO TO 5.



## 5. DETECT MALFUNCTIONING PART

Check the following.

- Harness connectors E2, F32
- Harness for open or short between IPDM E/R and mass air flow sensor
- Harness for open or short between mass air flow sensor and ECM

>> Repair open circuit or short to ground or short to power in harness or connectors.

## 6. CHECK MAF SENSOR GROUND CIRCUIT FOR OPEN AND SHORT

1. Turn ignition switch OFF.
2. Disconnect ECM harness connector.
3. Check harness continuity between MAF sensor terminal 3 and ECM terminal 67.  
Refer to Wiring Diagram.

**Continuity should exist.**

4. Also check harness for short to ground and short to power.

### OK or NG

- OK >> GO TO 7.
- NG >> Repair open circuit or short to ground or short to power in harness or connectors.

## 7. CHECK MAF SENSOR INPUT SIGNAL CIRCUIT FOR OPEN AND SHORT

1. Check harness continuity between MAF sensor terminal 4 and ECM terminal 51.  
Refer to Wiring Diagram.

**Continuity should exist.**

2. Also check harness for short to ground and short to power.

### OK or NG

- OK >> GO TO 8.
- NG >> Repair open circuit or short to ground or short to power in harness or connectors.

## 8. CHECK MASS AIR FLOW SENSOR

Refer to [EC-115. "Component Inspection"](#).

### OK or NG

- OK >> GO TO 9.
- NG >> Replace mass air flow sensor.

## 9. CHECK INTERMITTENT INCIDENT

Refer to [GI-49. "Intermittent Incident"](#).

>> **INSPECTION END**

Component Inspection

MASS AIR FLOW SENSOR

# P0102, P0103 MAF SENSOR

[VQ40DE]

## < COMPONENT DIAGNOSIS >

### Ⓟ With CONSULT-III

1. Reconnect all harness connectors disconnected.
2. Start engine and warm it up to normal operating temperature.
3. Connect CONSULT-III and select "DATA MONITOR" mode.
4. Select "MAS A/F SE-B1" and check indication under the following conditions.

Condition	MAS A/F SE-B1 (V)
Ignition switch ON (Engine stopped.)	Approx. 0.4
Idle (Engine is warmed-up to normal operating temperature.)	0.9 - 1.2
2,500 rpm (Engine is warmed-up to normal operating temperature.)	1.5 - 1.8
Idle to about 4,000 rpm	0.9 - 1.2 to Approx. 2.4*

\*: Check for linear voltage rise in response to engine being increased to about 4,000 rpm.

5. If the voltage is out of specification, proceed the following.
  - a. Check for the cause of uneven air flow through mass air flow sensor. Refer to following.
    - Crushed air ducts
    - Malfunctioning seal of air cleaner element
    - Uneven dirt of air cleaner element
    - Improper specification of intake air system parts
  - b. If NG, repair or replace malfunctioning part and perform step 2 to 4 again. If OK, go to next step.
6. Turn ignition switch OFF.
7. Disconnect mass air flow sensor harness connector and reconnect it again.
8. Perform step 2 to 4 again.
9. If NG, clean or replace mass air flow sensor.

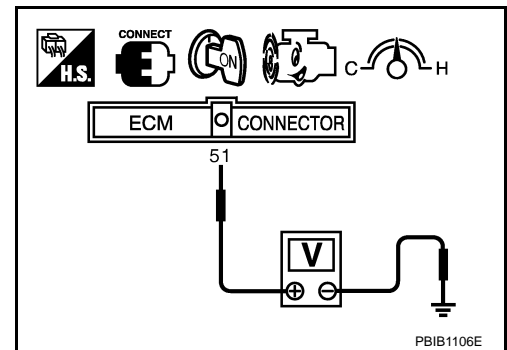
### ⓧ Without CONSULT-III

1. Reconnect all harness connectors disconnected.
2. Start engine and warm it up to normal operating temperature.
3. Check voltage between ECM terminal 51 (Mass air flow sensor signal) and ground.

Condition	Voltage V
Ignition switch ON (Engine stopped.)	Approx. 0.4
Idle (Engine is warmed-up to normal operating temperature.)	0.9 - 1.2
2,500 rpm (Engine is warmed-up to normal operating temperature.)	1.5 - 1.8
Idle to about 4,000 rpm	0.9 - 1.2 to Approx. 2.4*

\*: Check for linear voltage rise in response to engine being increased to about 4,000 rpm.

4. If the voltage is out of specification, proceed the following.
  - a. Check for the cause of uneven air flow through mass air flow sensor. Refer to following.
    - Crushed air ducts
    - Malfunctioning seal of air cleaner element
    - Uneven dirt of air cleaner element
    - Improper specification of intake air system parts
  - b. If NG, repair or replace malfunctioning part and perform step 2 to 3 again. If OK, go to next step.
5. Turn ignition switch OFF.
6. Disconnect mass air flow sensor harness connector and reconnect it again.
7. Perform step 2 and 3 again.



# P0102, P0103 MAF SENSOR

< COMPONENT DIAGNOSIS >

[VQ40DE]

8. If NG, clean or replace mass air flow sensor.

A

**EC**

C

D

E

F

G

H

I

J

K

L

M

N

O

P

# P0112, P0113 IAT SENSOR

< COMPONENT DIAGNOSIS >

[VQ40DE]

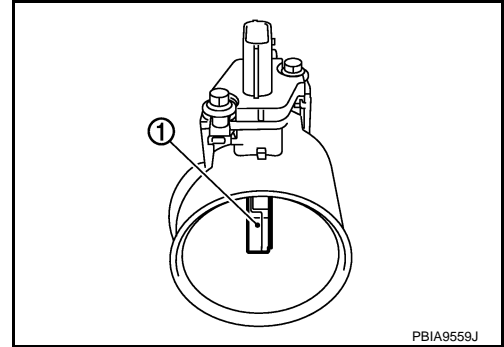
## P0112, P0113 IAT SENSOR

### Component Description

INFOID:000000004297307

The intake air temperature sensor is built-into the mass air flow sensor (1). The sensor detects intake air temperature and transmits a signal to the ECM.

The temperature sensing unit uses a thermistor which is sensitive to the change in temperature. Electrical resistance of the thermistor decreases in response to the rise in temperature.



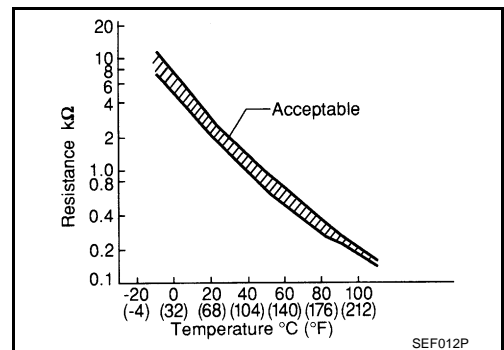
### <Reference data>

Intake air temperature °C (°F)	Voltage* V	Resistance kΩ
25 (77)	3.3	1.800 - 2.200
80 (176)	1.2	0.283 - 0.359

\*: This data is reference value and is measured between ECM terminal 34 (Intake air temperature sensor) and ground.

### CAUTION:

**Never use ECM ground terminals when measuring input/output voltage. Doing so may result in damage to the ECM's transistor. Use a ground other than ECM terminals, such as the ground.**



### On Board Diagnosis Logic

INFOID:000000004297308

DTC No.	Trouble diagnosis name	DTC detecting condition	Possible cause
P0112 0112	Intake air temperature sensor circuit low input	An excessively low voltage from the sensor is sent to ECM.	<ul style="list-style-type: none"> <li>• Harness or connectors (The sensor circuit is open or shorted.)</li> <li>• Intake air temperature sensor</li> </ul>
P0113 0113	Intake air temperature sensor circuit high input	An excessively high voltage from the sensor is sent to ECM.	

### DTC Confirmation Procedure

INFOID:000000004297309

- If DTC Confirmation Procedure has been previously conducted, always perform the following before conducting the next step.
  - Turn ignition switch OFF and wait at least 10 seconds.
  - Turn ignition switch ON.
  - Turn ignition switch OFF and wait at least 10 seconds.
- Turn ignition switch ON and wait at least 5 seconds.
- Check 1st trip DTC.
- If 1st trip DTC is detected, go to [EC-122, "Diagnosis Procedure"](#).

### Diagnosis Procedure

INFOID:000000004297310

#### 1. CHECK GROUND CONNECTIONS

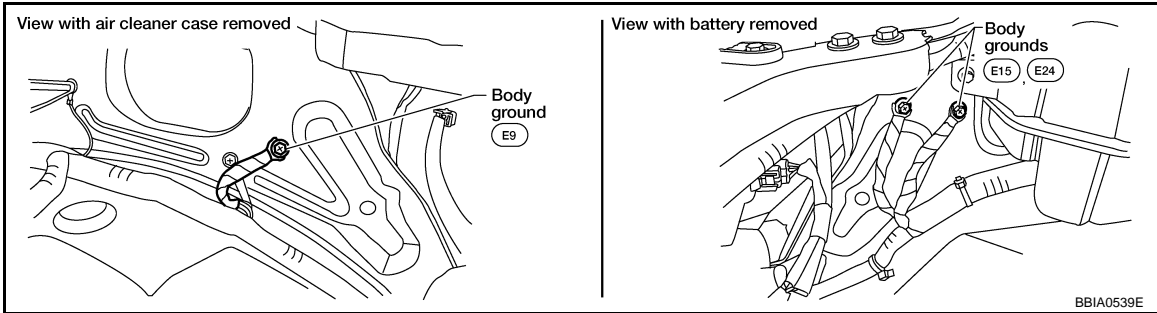
- Turn ignition switch OFF.

# P0112, P0113 IAT SENSOR

[VQ40DE]

## < COMPONENT DIAGNOSIS >

- Loosen and retighten three ground screws on the body. Refer to [EC-95. "Ground Inspection"](#).

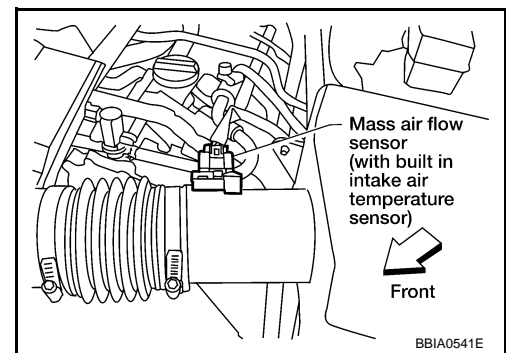


### OK or NG

- OK >> GO TO 2.
- NG >> Repair or replace ground connections.

## 2.CHECK INTAKE AIR TEMPERATURE SENSOR POWER SUPPLY CIRCUIT

- Disconnect mass air flow sensor (intake air temperature sensor is built-in) harness connector.
- Turn ignition switch ON.

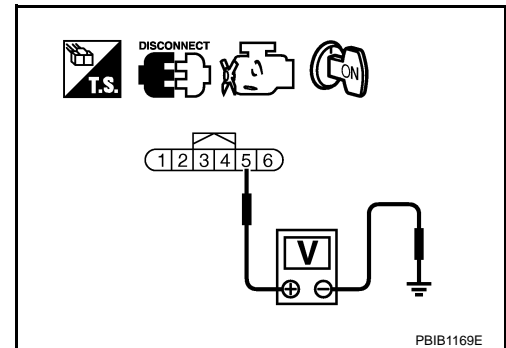


- Check voltage between mass air flow sensor terminal 5 and ground.

**Voltage: Approximately 5V**

### OK or NG

- OK >> GO TO 3.
- NG >> Repair harness or connectors.



## 3.CHECK INTAKE AIR TEMPERATURE SENSOR GROUND CIRCUIT FOR OPEN AND SHORT

- Turn ignition switch OFF.
- Disconnect ECM harness connector.
- Check harness continuity between mass air flow sensor terminal 6 and ECM terminal 67. Refer to Wiring Diagram.

**Continuity should exist.**

- Also check harness for short to ground and short to power.

### OK or NG

- OK >> GO TO 4.
- NG >> Repair open circuit or short to ground or short to power in harness or connectors.

## 4.CHECK INTAKE AIR TEMPERATURE SENSOR

Refer to [EC-124. "Component Inspection"](#).

### OK or NG

- OK >> GO TO 5.
- NG >> Replace mass air flow sensor (with intake air temperature sensor).

# P0112, P0113 IAT SENSOR

[VQ40DE]

< COMPONENT DIAGNOSIS >

## 5. CHECK INTERMITTENT INCIDENT

Refer to [GI-49. "Intermittent Incident"](#).

>> **INSPECTION END**

### Component Inspection

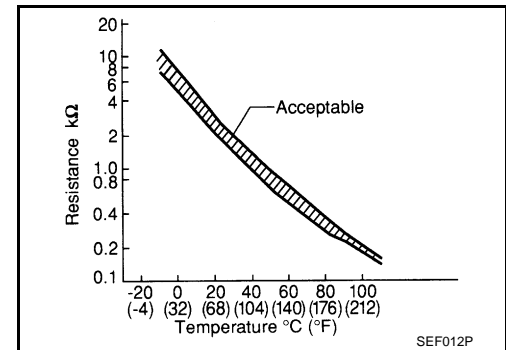
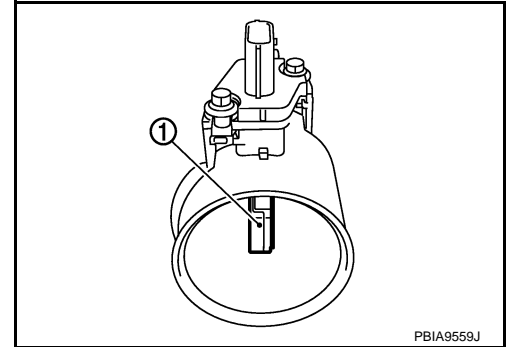
INFOID:000000004297311

#### INTAKE AIR TEMPERATURE SENSOR

1. Check resistance between mass air flow sensor (1) terminals 5 and 6 under the following conditions.

Intake air temperature °C (°F)	Resistance kΩ
25 (77)	1.800 - 2.200

2. If NG, replace mass air flow sensor (with intake air temperature sensor).



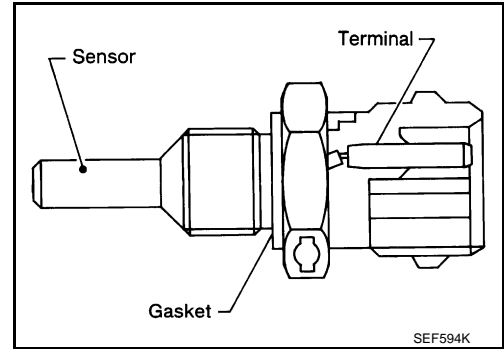


P0116 ECT SENSOR

Component Description

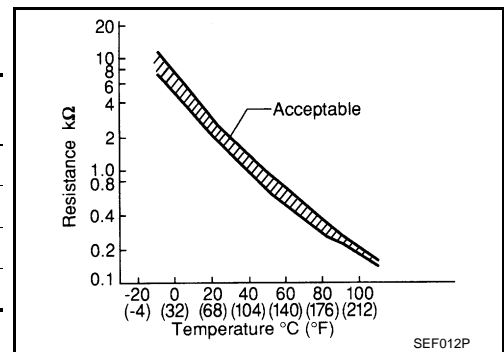
INFOID:000000004300764

The engine coolant temperature sensor is used to detect the engine coolant temperature. The sensor modifies a voltage signal from the ECM. The modified signal returns to the ECM as the engine coolant temperature input. The sensor uses a thermistor which is sensitive to the change in temperature. The electrical resistance of the thermistor decreases as temperature increases.



<Reference data>

Engine coolant temperature °C (°F)]	Voltage* (V)	Resistance (kΩ)
-10 (14)	4.4	7.0 - 11.4
20 (68)	3.5	2.1 - 2.9
50 (122)	2.2	0.68 - 1.00
90 (194)	0.9	0.236 - 0.260



\*: This data is reference value and is measured between ECM terminal 73 (Engine coolant temperature sensor) and ground.

**CAUTION:**

**Never use ECM ground terminals when measuring input/output voltage. Doing so may result in damage to the ECM's transistor. Use a ground other than ECM terminals, such as the ground.**

On Board Diagnosis Logic

INFOID:000000004300765

DTC No.	Trouble diagnosis name	DTC detecting condition	Possible cause
P0116 0116	Engine coolant temperature sensor circuit range/performance	Engine coolant temperature signal from engine coolant temperature sensor does not fluctuate, even when some time has passed after starting the engine with pre-warming up condition.	<ul style="list-style-type: none"> <li>• Harness or connectors (High or low resistance in the circuit)</li> <li>• Engine coolant temperature sensor</li> </ul>

DTC Confirmation Procedure

INFOID:000000004300766

**NOTE:**

- If DTC P0116 is displayed with P0117 or P0118, first perform the trouble diagnosis for DTC P0117, P0118. Refer to [EC-129, "DTC Confirmation Procedure"](#).
- If DTC Confirmation Procedure has been previously conducted, always perform the following before conducting the next step.

1. Turn ignition switch OFF and wait at least 10 seconds.
2. Turn ignition switch ON.
3. Turn ignition switch OFF and wait at least 10 seconds.

**TESTING CONDITION:**

**Before performing the following procedure, do not fill with the fuel.**

1. Start engine and warm it up to normal operating temperature.
2. Rev engine up to 2,000 rpm for more than 10 minutes.
3. Move the vehicle to a cool place, then stop engine and turn ignition switch OFF.
4. Check resistance between "fuel level sensor and fuel pump" terminals 3 and 4.
5. Soak the vehicle until the resistance between "fuel level sensor and fuel pump" terminals 3 and 4 becomes 0.5 kΩ higher than the value measured before soaking.

# P0116 ECT SENSOR

< COMPONENT DIAGNOSIS >

[VQ40DE]

## CAUTION:

Never turn ignition switch ON during the soaking time.

## NOTE:

Soak time changes depending on ambient air temperature. It may take several hours.

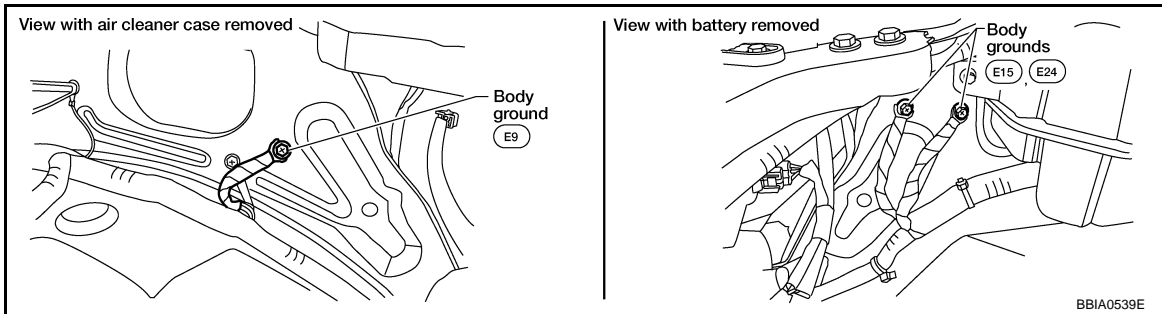
6. Start engine and let it idle for 5 minutes.
7. Check 1st trip DTC.
8. If 1st trip DTC is detected, go to [EC-126, "Diagnosis Procedure"](#).

## Diagnosis Procedure

INFOID:000000004300767

### 1. CHECK GROUND CONNECTIONS

1. Turn ignition switch OFF.
2. Loosen and retighten three ground screws on the body.  
Refer to [EC-95, "Ground Inspection"](#).



#### OK or NG

- OK >> GO TO 2.
- NG >> Repair or replace ground connections.

### 2. CHECK ENGINE COOLANT TEMPERATURE SENSOR

Refer to [EC-126, "Component Inspection"](#).

#### OK or NG

- OK >> GO TO 3.
- NG >> Replace engine coolant temperature sensor.

### 3. CHECK INTERMITTENT INCIDENT

Refer to [GI-46, "How to Check Terminal"](#) and [GI-49, "Intermittent Incident"](#).

For Wiring Diagram, refer to [EC-433, "Wiring Diagram - ENGINE CONTROL SYSTEM -"](#).

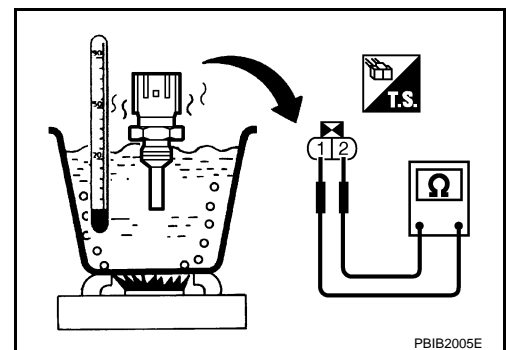
>> INSPECTION END

## Component Inspection

INFOID:000000004300768

### ENGINE COOLANT TEMPERATURE SENSOR

1. Check resistance between engine coolant temperature sensor terminals 1 and 2 as shown in the figure.



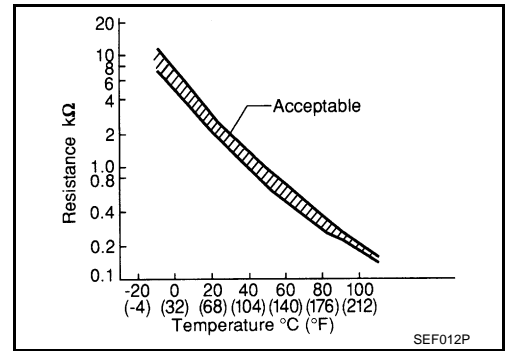
# P0116 ECT SENSOR

## < COMPONENT DIAGNOSIS >

[VQ40DE]

Engine coolant temperature °C (°F)]	Resistance (kΩ)
20 (68)	2.1 - 2.9
50 (122)	0.68 - 1.00
90 (194)	0.236 - 0.260

2. If NG, replace engine coolant temperature sensor.



A

EC

C

D

E

F

G

H

I

J

K

L

M

N

O

P

# P0117, P0118 ECT SENSOR

< COMPONENT DIAGNOSIS >

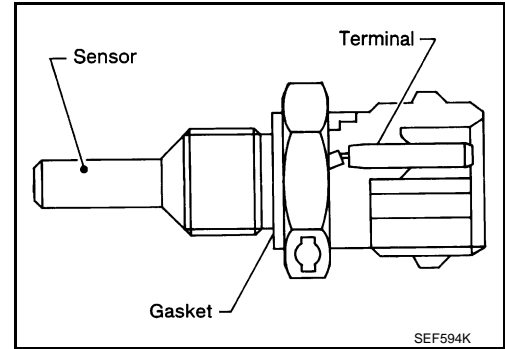
[VQ40DE]

## P0117, P0118 ECT SENSOR

### Component Description

INFOID:000000004297312

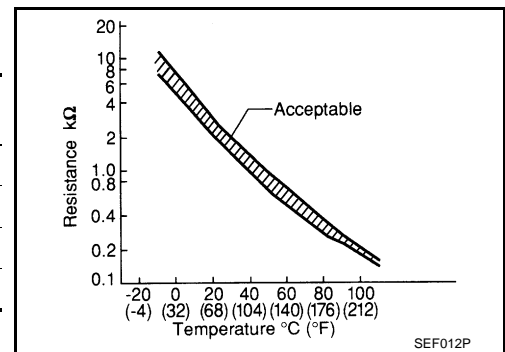
The engine coolant temperature sensor is used to detect the engine coolant temperature. The sensor modifies a voltage signal from the ECM. The modified signal returns to the ECM as the engine coolant temperature input. The sensor uses a thermistor which is sensitive to the change in temperature. The electrical resistance of the thermistor decreases as temperature increases.



### <Reference data>

Engine coolant temperature °C (°F)	Voltage* V	Resistance kΩ
-10 (14)	4.4	7.0 - 11.4
20 (68)	3.5	2.1 - 2.9
50 (122)	2.2	0.68 - 1.00
90 (194)	0.9	0.236 - 0.260

\*: This data is reference value and is measured between ECM terminal 73 (Engine coolant temperature sensor) and ground.



### CAUTION:

**Never use ECM ground terminals when measuring input/output voltage. Doing so may result in damage to the ECM's transistor. Use a ground other than ECM terminals, such as the ground.**

### On Board Diagnosis Logic

INFOID:000000004297313

These self-diagnoses have the one trip detection logic.

DTC No.	Trouble Diagnosis Name	DTC Detecting Condition	Possible Cause
P0117 0117	Engine coolant temperature sensor circuit low input	An excessively low voltage from the sensor is sent to ECM.	<ul style="list-style-type: none"> <li>• Harness or connectors (The sensor circuit is open or shorted.)</li> <li>• Engine coolant temperature sensor</li> </ul>
P0118 0118	Engine coolant temperature sensor circuit high input	An excessively high voltage from the sensor is sent to ECM.	

### FAIL-SAFE MODE

When the malfunction is detected, the ECM enters fail-safe mode and the MIL illuminate.

# P0117, P0118 ECT SENSOR

< COMPONENT DIAGNOSIS >

[VQ40DE]

Detected items	Engine operating condition in fail-safe mode	
Engine coolant temperature sensor circuit	Engine coolant temperature will be determined by ECM based on the following condition. CONSULT-III displays the engine coolant temperature decided by ECM.	
	Condition	Engine coolant temperature decided (CONSULT-III display)
	Just as ignition switch is turned ON or START	40°C (104°F)
	Approx. 4 minutes or more after engine starting	80°C (176°F)
	Except as shown above	40 - 80°C (104 - 176°F) (Depends on the time)
When the fail-safe system for engine coolant temperature sensor is activated, the cooling fan operates while engine is running.		

## DTC Confirmation Procedure

INFOID:000000004297314

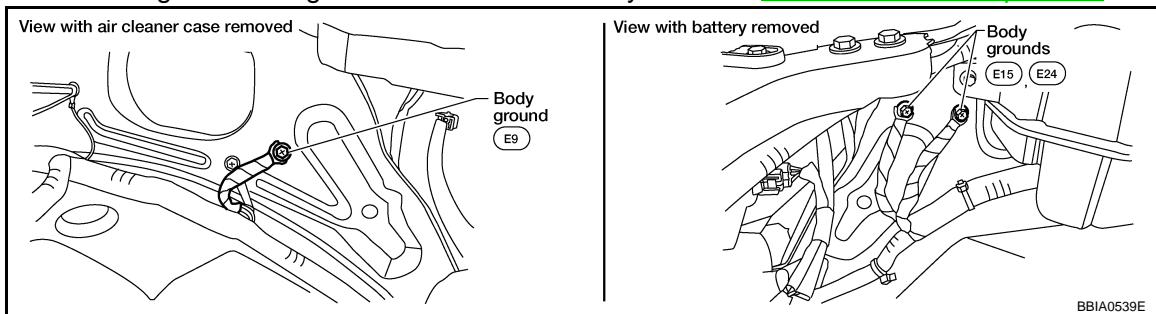
1. If DTC Confirmation Procedure has been previously conducted, always perform the following before conducting the next step.
  - a. Turn ignition switch OFF and wait at least 10 seconds.
  - b. Turn ignition switch ON.
  - c. Turn ignition switch OFF and wait at least 10 seconds.
2. Turn ignition switch ON and wait at least 5 seconds.
3. Check DTC.
4. If DTC is detected, go to [EC-129. "Diagnosis Procedure"](#).

## Diagnosis Procedure

INFOID:000000004297315

### 1. CHECK GROUND CONNECTIONS

1. Turn ignition switch OFF.
2. Loosen and retighten three ground screws on the body. Refer to [EC-95. "Ground Inspection"](#).

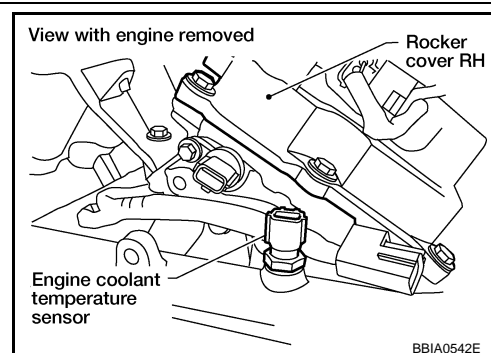


OK or NG

- OK >> GO TO 2.  
 NG >> Repair or replace ground connections.

### 2. CHECK ECT SENSOR POWER SUPPLY CIRCUIT

1. Disconnect engine coolant temperature (ECT) sensor harness connector.
2. Turn ignition switch ON.



## P0117, P0118 ECT SENSOR

[VQ40DE]

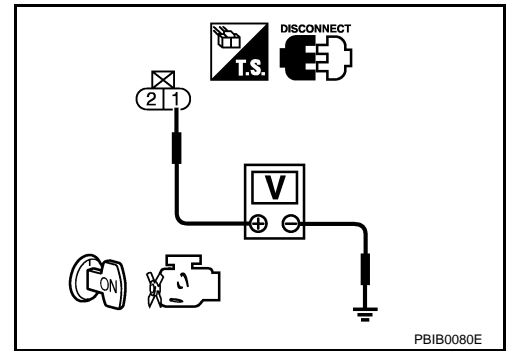
### < COMPONENT DIAGNOSIS >

3. Check voltage between ECT sensor terminal 1 and ground with CONSULT-III or tester.

**Voltage: Approximately 5V**

#### OK or NG

- OK >> GO TO 3.
- NG >> Repair open circuit or short to ground or short to power in harness or connectors.



### 3. CHECK ECT SENSOR GROUND CIRCUIT FOR OPEN AND SHORT

1. Turn ignition switch OFF.
2. Disconnect ECM harness connector.
3. Check harness continuity between ECT sensor terminal 2 and ECM terminal 67. Refer to Wiring Diagram.

**Continuity should exist.**

4. Also check harness for short to ground and short to power.

#### OK or NG

- OK >> GO TO 4.
- NG >> Repair open circuit or short to ground or short to power in harness or connectors.

### 4. CHECK ENGINE COOLANT TEMPERATURE SENSOR

Refer to [EC-130, "Component Inspection"](#).

#### OK or NG

- OK >> GO TO 5.
- NG >> Replace engine coolant temperature sensor.

### 5. CHECK INTERMITTENT INCIDENT

Refer to [GI-49, "Intermittent Incident"](#).

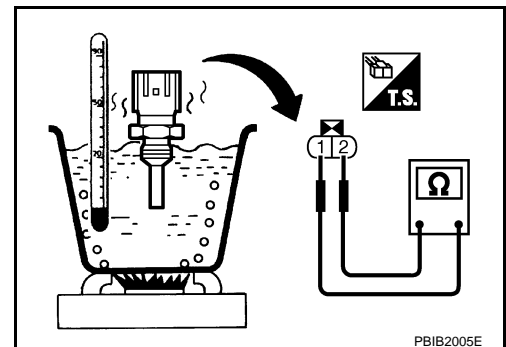
>> **INSPECTION END**

## Component Inspection

INFOID:000000004297316

### ENGINE COOLANT TEMPERATURE SENSOR

1. Check resistance between engine coolant temperature sensor terminals 1 and 2 as shown in the figure.



# P0117, P0118 ECT SENSOR

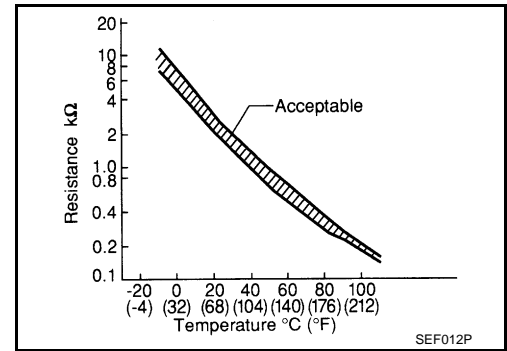
[VQ40DE]

## < COMPONENT DIAGNOSIS >

### <Reference data>

Engine coolant temperature °C (°F)	Resistance kΩ
20 (68)	2.1 - 2.9
50 (122)	0.68 - 1.00
90 (194)	0.236 - 0.260

2. If NG, replace engine coolant temperature sensor.



A

EC

C

D

E

F

G

H

I

J

K

L

M

N

O

P

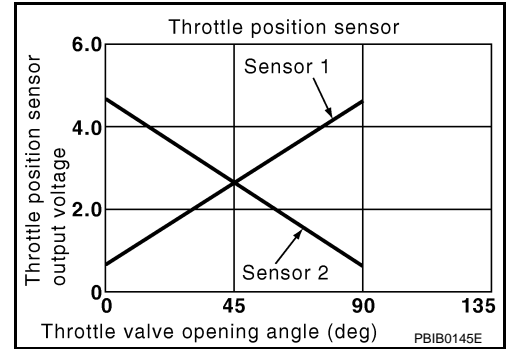
P0122, P0123 TP SENSOR

Component Description

INFOID:000000004297317

Electric throttle control actuator consists of throttle control motor, throttle position sensor, etc. The throttle position sensor responds to the throttle valve movement.

The throttle position sensor has the two sensors. These sensors are a kind of potentiometer which transform the throttle valve position into output voltage, and emit the voltage signal to the ECM. The ECM judges the current opening angle of the throttle valve from these signals and controls the throttle valve opening angle in response to driving conditions via the throttle control motor.



On Board Diagnosis Logic

INFOID:000000004297318

These self-diagnoses have the one trip detection logic.

DTC No.	Trouble diagnosis name	DTC detecting condition	Possible cause
P0122 0122	Throttle position sensor 2 circuit low input	An excessively low voltage from the TP sensor 2 is sent to ECM.	<ul style="list-style-type: none"> <li>• Harness or connectors (The TP sensor 2 circuit is open or shorted.) (The APP sensor 2 circuit is shorted.)</li> <li>• Electric throttle control actuator (TP sensor 2)</li> <li>• Accelerator pedal position sensor (APP sensor 2)</li> </ul>
P0123 0123	Throttle position sensor 2 circuit high input	An excessively high voltage from the TP sensor 2 is sent to ECM.	

FAIL-SAFE MODE

When the malfunction is detected, ECM enters fail-safe mode and the MIL illuminate.

Engine operation condition in fail-safe mode

- The ECM controls the electric throttle control actuator in regulating the throttle opening in order for the idle position to be within +10 degrees.
- The ECM regulates the opening speed of the throttle valve to be slower than the normal condition.
- So, the acceleration will be poor.

DTC Confirmation Procedure

INFOID:000000004297319

NOTE:

If DTC Confirmation Procedure has been previously conducted, always perform the following before conducting the next step.

1. Turn ignition switch OFF and wait at least 10 seconds.
2. Turn ignition switch ON.
3. Turn ignition switch OFF and wait at least 10 seconds.

TESTING CONDITION:

Before performing the following procedure, confirm that battery voltage is more than 10V at idle.

1. Start engine and let it idle for 1 second.
2. Check DTC.
3. If DTC is detected, go to [EC-132. "Diagnosis Procedure"](#).

Diagnosis Procedure

INFOID:000000004297320

1. CHECK GROUND CONNECTIONS

1. Turn ignition switch OFF.

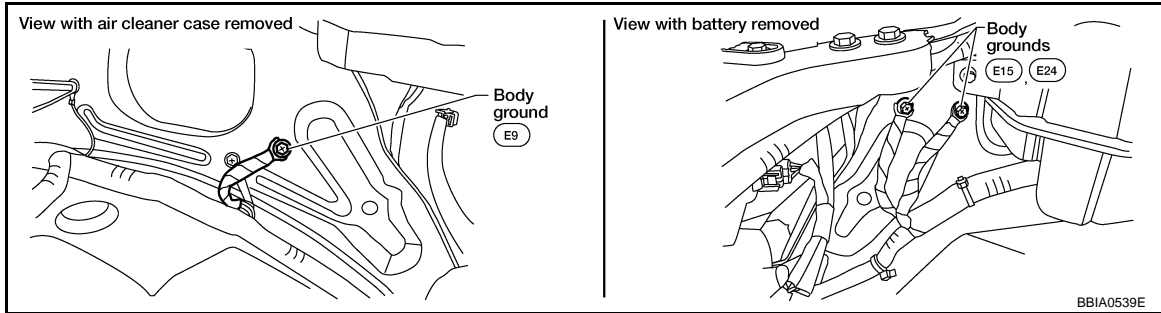


# P0122, P0123 TP SENSOR

[VQ40DE]

## < COMPONENT DIAGNOSIS >

- Loosen and retighten three ground screws on the body. Refer to [EC-95. "Ground Inspection"](#).

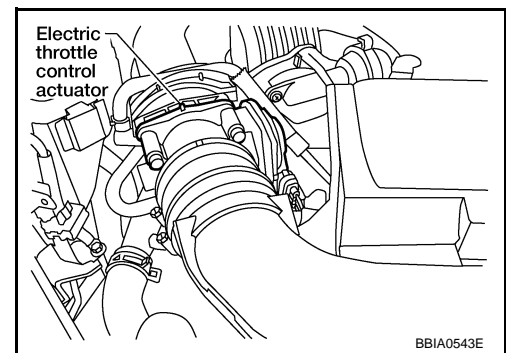


### OK or NG

- OK >> GO TO 2.
- NG >> Repair or replace ground connections.

## 2.CHECK THROTTLE POSITION SENSOR 2 POWER SUPPLY CIRCUIT-I

- Disconnect electric throttle control actuator harness connector.
- Turn ignition switch ON.

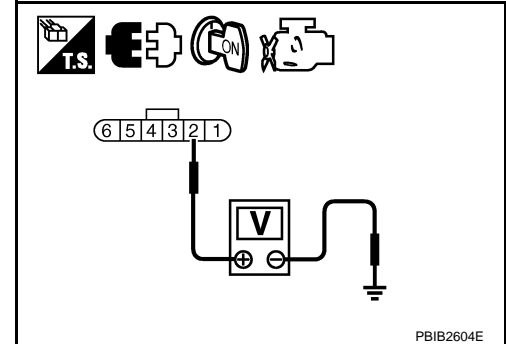


- Check voltage between electric throttle control actuator terminal 2 and ground with CONSULT-III or tester.

**Voltage: Approximately 5V**

### OK or NG

- OK >> GO TO 7.
- NG >> GO TO 3.



## 3.CHECK THROTTLE POSITION SENSOR 2 POWER SUPPLY CIRCUIT-II

- Turn ignition switch OFF.
- Disconnect ECM harness connector.
- Check harness continuity between electric throttle control actuator terminal 2 and ECM terminal 47. Refer to Wiring Diagram.

**Continuity should exist.**

### OK or NG

- OK >> GO TO 4.
- NG >> Repair open circuit.

## 4.CHECK THROTTLE POSITION SENSOR 2 POWER SUPPLY CIRCUIT-III

Check harness for short to power and short to ground, between the following terminals.

ECM terminal	Sensor terminal	Reference Wiring Diagram
47	Electric throttle control actuator terminal 2	<a href="#">EC-433</a>
91	APP sensor terminal 1	

< COMPONENT DIAGNOSIS >

---

OK or NG

- OK >> GO TO 5.
- NG >> Repair short to ground or short to power in harness or connectors.

## 5. CHECK APP SENSOR

---

Refer to [EC-371. "Component Inspection"](#).

OK or NG

- OK >> GO TO 11.
- NG >> GO TO 6.

## 6. REPLACE ACCELERATOR PEDAL ASSEMBLY

---

1. Replace accelerator pedal assembly.
2. Perform [EC-25. "Accelerator Pedal Released Position Learning"](#).
3. Perform [EC-25. "Throttle Valve Closed Position Learning"](#).
4. Perform [EC-25. "Idle Air Volume Learning"](#).

>> **INSPECTION END**

## 7. CHECK THROTTLE POSITION SENSOR 2 GROUND CIRCUIT FOR OPEN AND SHORT

---

1. Turn ignition switch OFF.
2. Disconnect ECM harness connector.
3. Check harness continuity between electric throttle control actuator terminal 4 and ECM terminal 66.  
Refer to Wiring Diagram.

**Continuity should exist.**

4. Also check harness for short to ground and short to power.

OK or NG

- OK >> GO TO 8.
- NG >> Repair open circuit or short to ground or short to power in harness or connectors.

## 8. CHECK THROTTLE POSITION SENSOR 2 INPUT SIGNAL CIRCUIT FOR OPEN AND SHORT

---

1. Check harness continuity between ECM terminal 69 and electric throttle control actuator terminal 3.  
Refer to Wiring Diagram.

**Continuity should exist.**

2. Also check harness for short to ground and short to power.

OK or NG

- OK >> GO TO 9.
- NG >> Repair open circuit or short to ground or short to power in harness or connectors.

## 9. CHECK THROTTLE POSITION SENSOR

---

Refer to [EC-135. "Component Inspection"](#).

OK or NG

- OK >> GO TO 11.
- NG >> GO TO 10.

## 10. REPLACE ELECTRIC THROTTLE CONTROL ACTUATOR

---

1. Replace the electric throttle control actuator.
2. Perform [EC-25. "Throttle Valve Closed Position Learning"](#).
3. Perform [EC-25. "Idle Air Volume Learning"](#).

>> **INSPECTION END**

## 11. CHECK INTERMITTENT INCIDENT

---

Refer to [GI-49. "Intermittent Incident"](#).

>> INSPECTION END

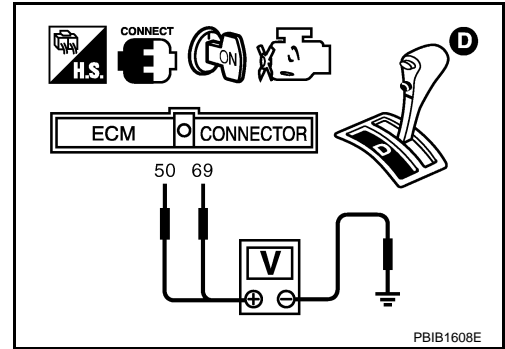
Component Inspection

INFOID:000000004297321

THROTTLE POSITION SENSOR

1. Reconnect all harness connectors disconnected.
2. Perform [EC-25, "Throttle Valve Closed Position Learning"](#).
3. Turn ignition switch ON.
4. Set selector lever to D position.
5. Check voltage between ECM terminals 50 (TP sensor 1 signal), 69 (TP sensor 2 signal) and ground under the following conditions.

Terminal	Accelerator pedal	Voltage
50 (Throttle position sensor 1)	Fully released	More than 0.36V
	Fully depressed	Less than 4.75V
69 (Throttle position sensor 2)	Fully released	Less than 4.75V
	Fully depressed	More than 0.36V



6. If NG, replace electric throttle control actuator and go to the next step.
7. Perform [EC-25, "Throttle Valve Closed Position Learning"](#).
8. Perform [EC-25, "Idle Air Volume Learning"](#).

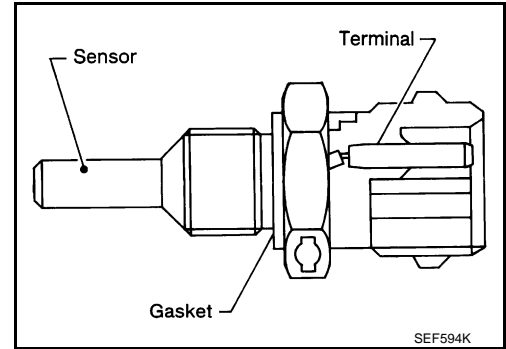
A  
EC  
C  
D  
E  
F  
G  
H  
I  
J  
K  
L  
M  
N  
O  
P

P0125 ECT SENSOR

Component Description

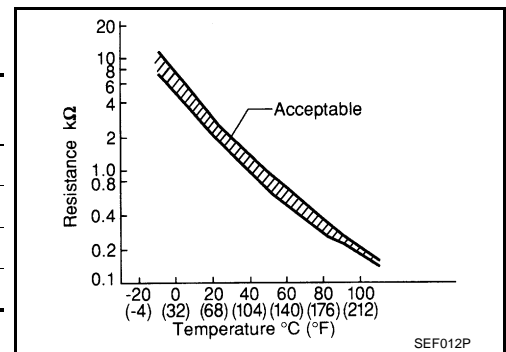
INFOID:000000004297322

The engine coolant temperature sensor is used to detect the engine coolant temperature. The sensor modifies a voltage signal from the ECM. The modified signal returns to the ECM as the engine coolant temperature input. The sensor uses a thermistor which is sensitive to the change in temperature. The electrical resistance of the thermistor decreases as temperature increases.



<Reference data>

Engine coolant temperature °C (°F)	Voltage* V	Resistance kΩ
-10 (14)	4.4	7.0 - 11.4
20 (68)	3.5	2.1 - 2.9
50 (122)	2.2	0.68 - 1.00
90 (194)	0.9	0.236 - 0.260



\*: This data is reference value and is measured between ECM terminal 73 (Engine coolant temperature sensor) and ground.

**CAUTION:**

Never use ECM ground terminals when measuring input/output voltage. Doing so may result in damage to the ECM's transistor. Use a ground other than ECM terminals, such as the ground.

On Board Diagnosis Logic

INFOID:000000004297323

**NOTE:**

If DTC P0125 is displayed with P0116, first perform the trouble diagnosis for DTC P0116. Refer to [EC-125, "Component Description"](#).

**NOTE:**

If DTC P0125 is displayed with P0117 or P0118, first perform the trouble diagnosis for DTC P0117 or P0118. Refer to [EC-128, "Component Description"](#).

DTC No.	Trouble diagnosis name	DTC detecting condition	Possible cause
P0125 0125	Insufficient engine coolant temperature for closed loop fuel control	<ul style="list-style-type: none"> <li>Voltage sent to ECM from the sensor is not practical, even when some time has passed after starting the engine.</li> <li>Engine coolant temperature is insufficient for closed loop fuel control.</li> </ul>	<ul style="list-style-type: none"> <li>Harness or connectors (High resistance in the circuit)</li> <li>Engine coolant temperature sensor</li> <li>Thermostat</li> </ul>

DTC Confirmation Procedure

INFOID:000000004297324

**CAUTION:**

Never overheat engine.

**NOTE:**

If DTC Confirmation Procedure has been previously conducted, always perform the following before conducting the next step.

1. Turn ignition switch OFF and wait at least 10 seconds.
2. Turn ignition switch ON.
3. Turn ignition switch OFF and wait at least 10 seconds.

Ⓜ WITH CONSULT-III

# P0125 ECT SENSOR

[VQ40DE]

## < COMPONENT DIAGNOSIS >

1. Turn ignition switch ON.
2. Select "DATA MONITOR" mode with CONSULT-III.
3. Check that "COOLAN TEMP/S" is above 20°C (68°F).  
**If the temperature is above 20°C (68°F), the test result will be OK.**  
**If the temperature is below 20°C (68°F), go to following step.**
4. Start engine and run it for 65 minutes at idle speed.  
**If "COOLAN TEMP/S" increases to more than 20°C (68°F) within 65 minutes, stop engine because the test result will be OK.**
5. Check 1st trip DTC.
6. If 1st trip DTC is detected, go to [EC-137. "Diagnosis Procedure"](#).

### WITH GST

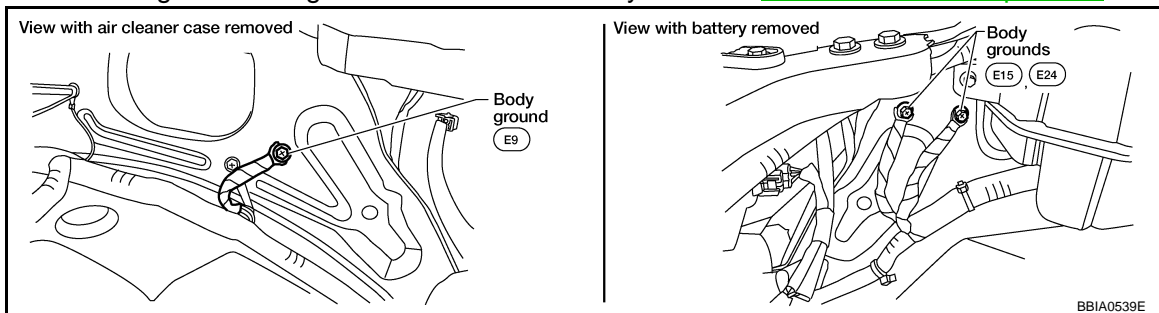
Follow the procedure "WITH CONSULT-III" above.

## Diagnosis Procedure

INFOID:000000004297325

### 1. CHECK GROUND CONNECTIONS

1. Turn ignition switch OFF.
2. Loosen and retighten three ground screws on the body. Refer to [EC-95. "Ground Inspection"](#).



#### OK or NG

- OK >> GO TO 2.
- NG >> Repair or replace ground connections.

### 2. CHECK ENGINE COOLANT TEMPERATURE SENSOR

Refer to [EC-137. "Component Inspection"](#).

#### OK or NG

- OK >> GO TO 3.
- NG >> Replace engine coolant temperature sensor.

### 3. CHECK THERMOSTAT OPERATION

When the engine is cold [lower than 70°C (158°F)] condition, grasp lower radiator hose and confirm that the engine coolant does not flow.

#### OK or NG

- OK >> GO TO 4.
- NG >> Repair or replace thermostat. Refer to [CO-27. "Removal and Installation"](#).

### 4. CHECK INTERMITTENT INCIDENT

Refer to [GI-49. "Intermittent Incident"](#).

>> **INSPECTION END**

## Component Inspection

INFOID:000000004297326

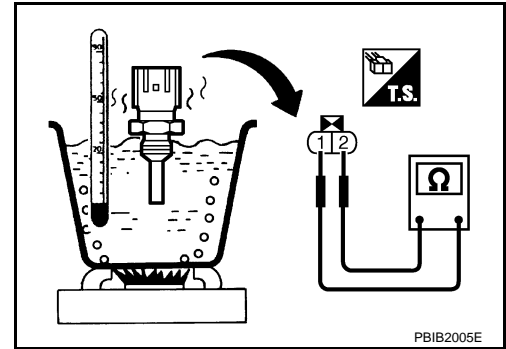
## ENGINE COOLANT TEMPERATURE SENSOR

# P0125 ECT SENSOR

[VQ40DE]

## < COMPONENT DIAGNOSIS >

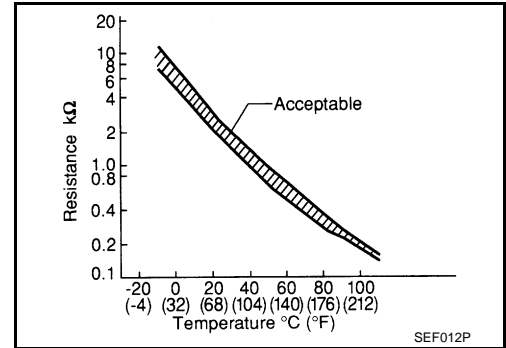
1. Check resistance between engine coolant temperature sensor terminals 1 and 2 as shown in the figure.



## <Reference data>

Engine coolant temperature °C (°F)	Resistance kΩ
20 (68)	2.1 - 2.9
50 (122)	0.68 - 1.00
90 (194)	0.236 - 0.260

2. If NG, replace engine coolant temperature sensor.



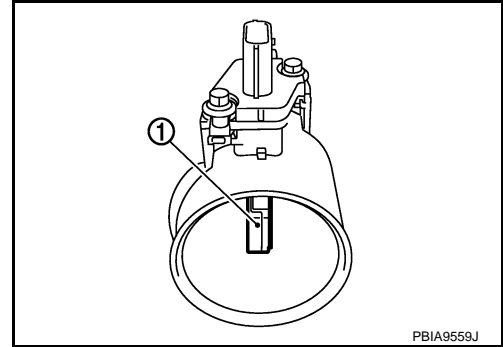
P0127 IAT SENSOR

Component Description

INFOID:000000004297327

The intake air temperature sensor is built into mass air flow sensor (1). The sensor detects intake air temperature and transmits a signal to the ECM.

The temperature sensing unit uses a thermistor which is sensitive to the change in temperature. Electrical resistance of the thermistor decreases in response to the temperature rise.



PBIA9559J

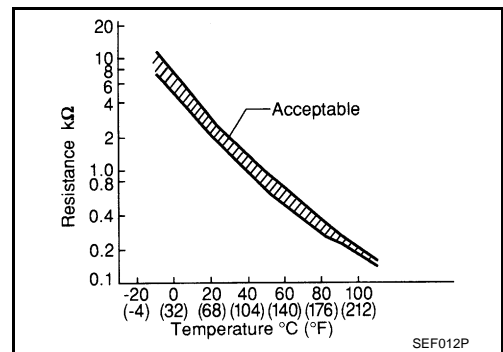
<Reference data>

Intake air temperature °C (°F)	Voltage* V	Resistance kΩ
25 (77)	3.3	1.800 - 2.200
80 (176)	1.2	0.283 - 0.359

\*: This data is reference value and is measured between ECM terminal 34 (Intake air temperature sensor) and ground.

**CAUTION:**

**Never use ECM ground terminals when measuring input/output voltage. Doing so may result in damage to the ECM's transistor. Use a ground other than ECM terminals, such as the ground.**



SEF012P

On Board Diagnosis Logic

INFOID:000000004297328

DTC No.	Trouble diagnosis name	DTC detecting condition	Possible cause
P0127 0127	Intake air temperature too high	Rationally incorrect voltage from the sensor is sent to ECM, compared with the voltage signal from engine coolant temperature sensor.	<ul style="list-style-type: none"> <li>• Harness or connectors (The sensor circuit is open or shorted)</li> <li>• Intake air temperature sensor</li> </ul>

DTC Confirmation Procedure

INFOID:000000004297329

**NOTE:**

If DTC Confirmation Procedure has been previously conducted, always perform the following before conducting the next step.

1. Turn ignition switch OFF and wait at least 10 seconds.
2. Turn ignition switch ON.
3. Turn ignition switch OFF and wait at least 10 seconds.

**CAUTION:**

**Always drive vehicle at a safe speed.**

**TESTING CONDITION:**

**This test may be conducted with the drive wheels lifted in the shop or by driving the vehicle. If a road test is expected to be easier, it is unnecessary to lift the vehicle.**

Ⓟ WITH CONSULT-III

1. Wait until engine coolant temperature is less than 90°C (194°F)
  - a. Turn ignition switch ON.
  - b. Select "DATA MONITOR" mode with CONSULT-III.
  - c. Check the engine coolant temperature.

# P0127 IAT SENSOR

[VQ40DE]

## < COMPONENT DIAGNOSIS >

- If the engine coolant temperature is not less than 90°C (194°F), turn ignition switch OFF and cool down engine.
  - Perform the following steps before engine coolant temperature is above 90°C (194°F).
- Turn ignition switch ON.
- Select "DATA MONITOR" mode with CONSULT-III.
- Start engine.
- Hold vehicle speed at more than 70 km/h (43 MPH) for 100 consecutive seconds.
- Check 1st trip DTC.
- If 1st trip DTC is detected, go to [EC-140, "Diagnosis Procedure"](#).

### WITH GST

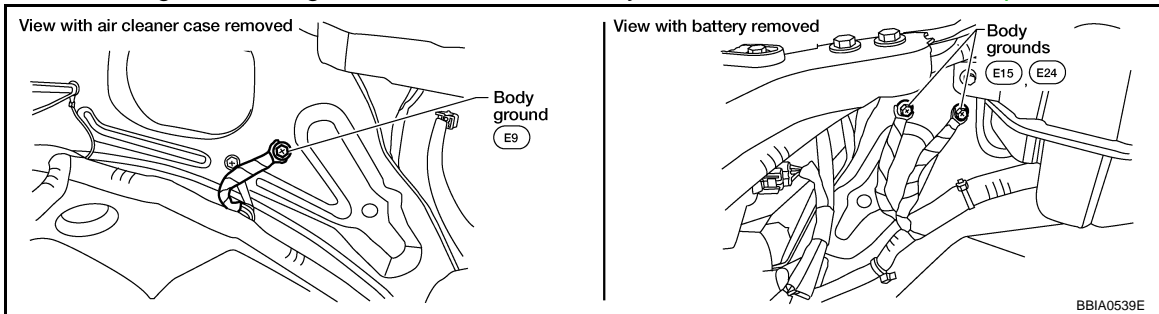
Follow the procedure "WITH CONSULT-III" above.

## Diagnosis Procedure

INFOID:000000004297330

### 1. CHECK GROUND CONNECTIONS

- Turn ignition switch OFF.
- Loosen and retighten three ground screws on the body. Refer to [EC-95, "Ground Inspection"](#).



#### OK or NG

- OK >> GO TO 2.
- NG >> Repair or replace ground connections.

### 2. CHECK INTAKE AIR TEMPERATURE SENSOR

Refer to [EC-140, "Component Inspection"](#).

#### OK or NG

- OK >> GO TO 3.
- NG >> Replace mass air flow sensor (with intake air temperature sensor).

### 3. CHECK INTERMITTENT INCIDENT

Refer to [GI-49, "Intermittent Incident"](#).

>> **INSPECTION END**

## Component Inspection

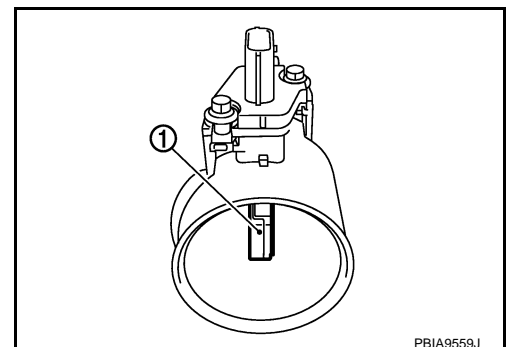
INFOID:000000004297331

### INTAKE AIR TEMPERATURE SENSOR

- Check resistance between intake air temperature sensor (1) terminals 5 and 6 under the following conditions.

Intake air temperature °C (°F)	Resistance kΩ
25 (77)	1.800 - 2.200

- If NG, replace mass air flow sensor (with intake air temperature sensor).

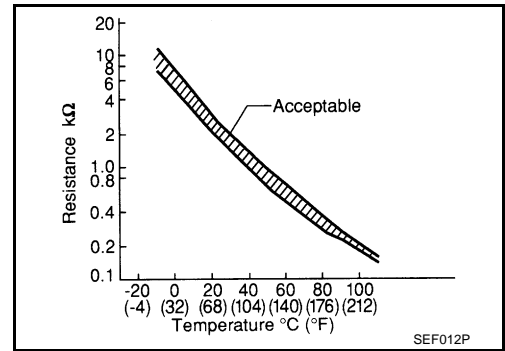




# P0127 IAT SENSOR

< COMPONENT DIAGNOSIS >

[VQ40DE]



A

EC

C

D

E

F

G

H

I

J

K

L

M

N

O

P

# P0128 THERMOSTAT FUNCTION

< COMPONENT DIAGNOSIS >

[VQ40DE]

## P0128 THERMOSTAT FUNCTION

### On Board Diagnosis Logic

INFOID:000000004297332

#### NOTE:

If DTC P0128 is displayed with DTC P0300, P0301, P0302, P0303, P0304, P0305 or P0306, first perform the trouble diagnosis for DTC P0300, P0301, P0302, P0303, P0304, P0305, P0306. Refer to [EC-203, "DTC Confirmation Procedure"](#).

Engine coolant temperature has not risen enough to open the thermostat even though the engine has run long enough.

This is due to a leak in the seal or the thermostat being being stuck open.

DTC No.	Trouble diagnosis name	DTC detecting condition	Possible cause
P0128 0128	Thermostat function	The engine coolant temperature does not reach to specified temperature even though the engine has run long enough.	<ul style="list-style-type: none"><li>• Thermostat</li><li>• Leakage from sealing portion of thermostat</li><li>• Engine coolant temperature sensor</li></ul>

### DTC Confirmation Procedure

INFOID:000000004297333

#### NOTE:

If DTC Confirmation Procedure has been previously conducted, always perform the following before conducting the next test.

1. Turn ignition switch OFF and wait at least 10 seconds.
2. Turn ignition switch ON.
3. Turn ignition switch OFF and wait at least 10 seconds.

#### WITH CONSULT-III

##### TESTING CONDITION:

- For best results, perform at ambient temperature of  $-10^{\circ}\text{C}$  ( $14^{\circ}\text{F}$ ) or higher.
- For best results, perform at engine coolant temperature of  $-10^{\circ}\text{C}$  ( $14^{\circ}\text{F}$ ) to  $56^{\circ}\text{C}$  ( $133^{\circ}\text{F}$ ).
- Before performing the following procedure, do not add fuel.

1. Turn A/C switch OFF.
2. Turn blower fan switch OFF.
3. Turn ignition switch ON.
4. Select "COOLAN TEMP/S" in "DATA MONITOR" mode with CONSULT-III.
5. Check the indication of "COOLAN TEMP/S".  
If it is below  $56^{\circ}\text{C}$  ( $133^{\circ}\text{F}$ ), go to following step.  
If it is above  $56^{\circ}\text{C}$  ( $133^{\circ}\text{F}$ ), cool down the engine to less than  $56^{\circ}\text{C}$  ( $133^{\circ}\text{F}$ ). Then go to next steps.
6. Start engine and wait at idle for at least 10 minutes under the following conditions.

VHCL SPEED SE	More than 56 km/h (35MPH)
---------------	---------------------------

#### CAUTION:

Always drive vehicle at a safe speed.

#### NOTE:

If "COOLAN TEMP/S" increases to more than  $71^{\circ}\text{C}$  ( $160^{\circ}\text{F}$ ) within 30 minutes, turn ignition switch OFF because the test result will be OK.

7. Check 1st trip DTC.
8. If 1st trip DTC is detected, go to [EC-142, "Diagnosis Procedure"](#).

#### WITH GST

Follow the procedure "WITH CONSULT-III" above.

### Diagnosis Procedure

INFOID:000000004297334

#### 1. CHECK ENGINE COOLANT TEMPERATURE SENSOR

Refer to [EC-143, "Component Inspection"](#).

OK or NG

# P0128 THERMOSTAT FUNCTION

[VQ40DE]

## < COMPONENT DIAGNOSIS >

- OK >> GO TO 2.
- NG >> Replace engine coolant temperature sensor.

## 2.CHECK THERMOSTAT

Refer to [CO-27. "Removal and Installation"](#).

### OK or NG

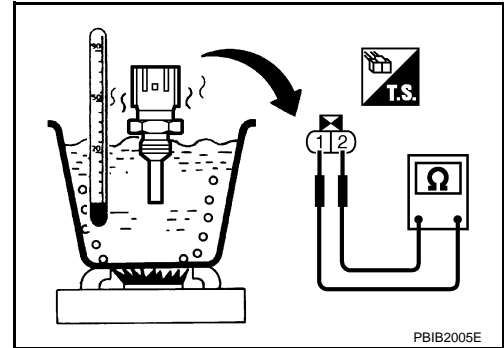
- OK >> INSPECTION END
- NG >> Replace thermostat.

## Component Inspection

INFOID:000000004297335

## ENGINE COOLANT TEMPERATURE SENSOR

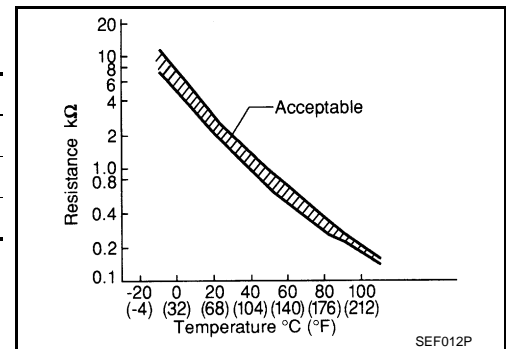
1. Check resistance between engine coolant temperature sensor terminals 1 and 2 as shown in the figure.



### <Reference data>

Engine coolant temperature °C (°F)	Resistance kΩ
20 (68)	2.1 - 2.9
50 (122)	0.68 - 1.00
90 (194)	0.236 - 0.260

2. If NG, replace engine coolant temperature sensor.

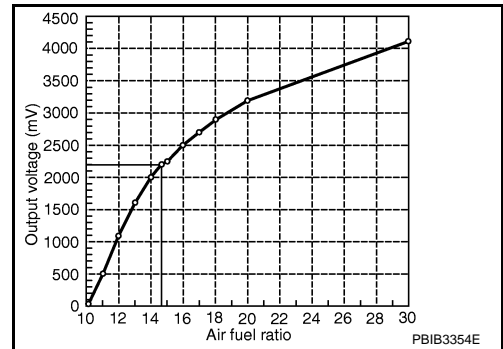
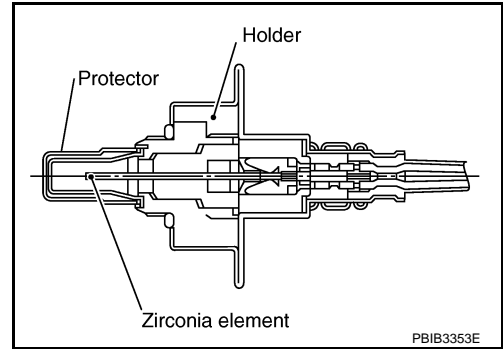


P0130, P0150 A/F SENSOR 1

Component Description

INFOID:000000004297336

The air fuel ratio (A/F) sensor 1 is a planar one-cell limit current sensor. The sensor element of the A/F sensor 1 is composed an electrode layer, which transports ions. It has a heater in the element. The sensor is capable of precise measurement  $\lambda = 1$ , but also in the lean and rich range. Together with its control electronics, the sensor outputs a clear, continuous signal throughout a wide  $\lambda$  range. The exhaust gas components diffuse through the diffusion layer at the sensor cell. An electrode layer is applied voltage, and this current relative oxygen density in lean. Also this current relative hydrocarbon density in rich. Therefore, the A/F sensor 1 is able to indicate air fuel ratio by this electrode layer of current. In addition, a heater is integrated in the sensor to ensure the required operating temperature of about 800°C (1,472°F).



On Board Diagnosis Logic

INFOID:000000004297337

To judge the malfunctions, the diagnosis checks that the A/F signal computed by ECM from the air fuel ratio (A/F) sensor 1 signal fluctuates according to fuel feedback control.

DTC No.	Trouble diagnosis name	DTC detecting condition		Possible Cause
P0130 0130 (Bank 1)	Air fuel ratio (A/F) sensor 1 circuit	A)	The A/F signal computed by ECM from the A/F sensor 1 signal is constantly in a range other than approx. 2.2V.	<ul style="list-style-type: none"> <li>• Harness or connectors (The A/F sensor 1 circuit is open or shorted.)</li> <li>• Air fuel ratio (A/F) sensor 1</li> </ul>
P0150 0150 (Bank 2)		B)	The A/F signal computed by ECM from the A/F sensor 1 signal is constantly approx. 2.2V.	

DTC Confirmation Procedure

INFOID:000000004297338

Perform PROCEDURE FOR MALFUNCTION A first.

If the DTC cannot be confirmed, perform PROCEDURE FOR MALFUNCTION B.

NOTE:

If DTC Confirmation Procedure has been previously conducted, always perform the following before conducting the next step.

1. Turn ignition switch OFF and wait at least 10 seconds.
2. Turn ignition switch ON.
3. Turn ignition switch OFF and wait at least 10 seconds.

TESTING CONDITION:

Before performing the following procedure, confirm that battery voltage is more than 11V at idle.

PROCEDURE FOR MALFUNCTION A

1. Start engine and warm it up to normal operating temperature.
2. Let engine idle for 2 minutes.
3. Check 1st trip DTC.
4. If 1st trip DTC is detected, go to [EC-145. "Diagnosis Procedure"](#).

## PROCEDURE FOR MALFUNCTION B

### CAUTION:

Always drive vehicle at a safe speed.

Ⓟ With CONSULT-III

1. Start engine and warm it up to normal operating temperature.
2. Select "A/F SEN1 (B1)" or "A/F SEN1 (B2)" in "DATA MONITOR" mode with CONSULT-III.
3. Check "A/F SEN1 (B1)" or "A/F SEN1 (B2)" indication.  
If the indication is constantly approx. 2.2V and does not fluctuates, go to [EC-145, "Diagnosis Procedure"](#).  
If the indication fluctuate around 2.2V, go to next step.
4. Select "A/F SEN1 (B1) P1276" (for DTC P0130) or "A/F SEN1 (B2) P1286" (for DTC P0150) of "A/F SEN1" in "DTC WORK SUPPORT" mode with CONSULT-III.
5. Touch "START".
6. When the following conditions are met, "TESTING" will be displayed on the CONSULT-III screen.

ENG SPEED	1,750 - 3,200 rpm
VHCL SPEED SE	More than 64 km/h (40 MPH)
B/FUEL SCHDL	1.0 - 8.0 msec
Shift lever	D position with "OD" OFF

If "TESTING" is not displayed after 20 seconds, retry from step 2.

7. Release accelerator pedal fully.  
**NOTE:**  
Never apply brake when releasing the accelerator pedal.
8. Make sure that "TESTING" changes to "COMPLETED".  
If "TESTING" changed to "OUT OF CONDITION", retry from step 6.
9. Make sure that "OK" is displayed after touching "SELF-DIAG RESULT".  
If "NG" is displayed, go to [EC-145, "Diagnosis Procedure"](#).

## Overall Function Check

INFOID:000000004297339

## PROCEDURE FOR MALFUNCTION B

Use this procedure to check the overall function of the A/F sensor 1 circuit. During this check, a 1st trip DTC might not be confirmed.

Ⓟ With GST

1. Start engine and warm it up to normal operating temperature.
2. Drive the vehicle at a speed of 80 km/h (50 MPH) for a few minutes in the suitable gear position.
3. Set D position with "OD" OFF, then release the accelerator pedal fully until the vehicle speed decreases to 50 km/h (30 MPH).  
**NOTE:**  
Never apply brake during releasing the accelerator pedal.
4. Repeat steps 2 and 3 for five times.
5. Stop the vehicle and turn ignition switch OFF.
6. Turn ignition switch ON.
7. Turn ignition switch OFF and wait at least 10 seconds.
8. Restart engine.
9. Repeat steps 2 and 3 for five times.
10. Stop the vehicle and connect GST to the vehicle.
11. Make sure that no 1st trip DTC is displayed.  
If the 1st trip DTC is displayed, go to [EC-145, "Diagnosis Procedure"](#).

## Diagnosis Procedure

INFOID:000000004297340

### 1. CHECK GROUND CONNECTIONS

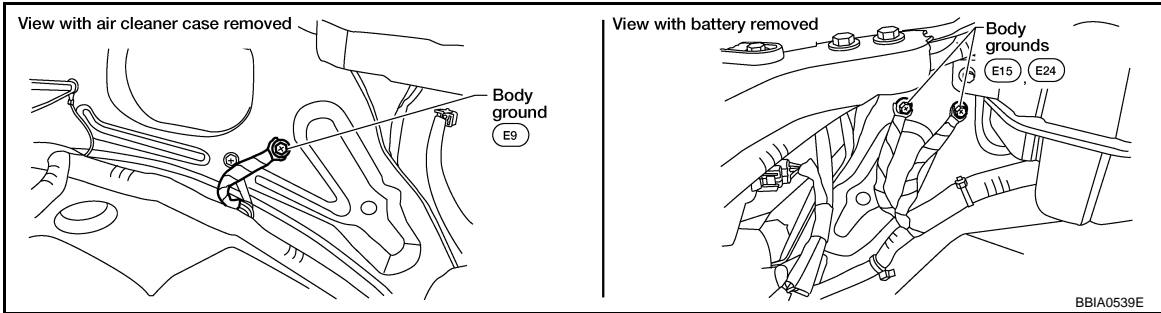
1. Turn ignition switch OFF.

# P0130, P0150 A/F SENSOR 1

[VQ40DE]

## < COMPONENT DIAGNOSIS >

- Loosen and retighten three ground screws on the body. Refer to [EC-95, "Ground Inspection"](#).

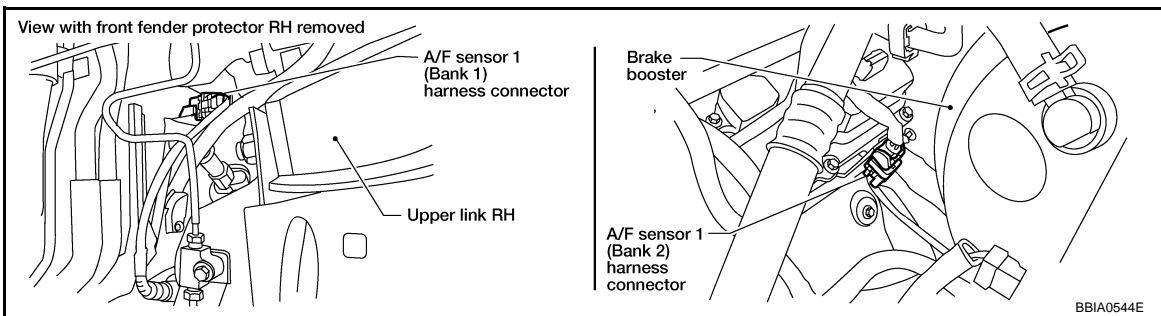


### OK or NG

- OK >> GO TO 2.
- NG >> Repair or replace ground connections.

## 2. CHECK AIR FUEL RATIO (A/F) SENSOR 1 POWER SUPPLY CIRCUIT

- Disconnect A/F sensor 1 harness connector.

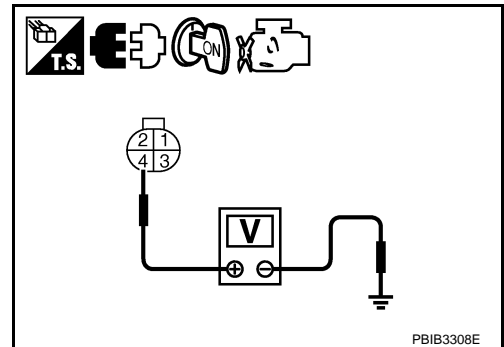


- Turn ignition switch ON.
- Check voltage between A/F sensor 1 terminal 4 and ground with CONSULT-III or tester.

**Voltage: Battery voltage**

### OK or NG

- OK >> GO TO 4.
- NG >> GO TO 3.



## 3. DETECT MALFUNCTIONING PART

Check the following.

- Harness connectors E2, F32
- IPDM E/R connector E119
- 15 A fuse (No.54)
- Harness for open or short between A/F sensor 1 and fuse

>> Repair or replace harness or connectors.

## 4. CHECK A/F SENSOR 1 INPUT SIGNAL CIRCUIT FOR OPEN AND SHORT

- Turn ignition switch OFF.
- Disconnect ECM harness connector.
- Check harness continuity between A/F sensor 1 terminal and ECM terminal as follows. Refer to Wiring Diagram.

	A/F sensor 1 terminal	ECM terminal
Bank1	1	16
	2	75

# P0130, P0150 A/F SENSOR 1

[VQ40DE]

## < COMPONENT DIAGNOSIS >

Bank 2	1	35
	2	56

**Continuity should exist.**

4. Check harness continuity between the following terminals and ground.  
Refer to Wiring Diagram.

Bank 1		Bank 2	
A/F sensor 1 terminal	ECM terminal	A/F sensor 1 terminal	ECM terminal
1	16	1	35
2	75	2	56

**Continuity should not exist.**

5. Also check harness for short to power.

OK or NG

OK >> GO TO 5.

NG >> Repair open circuit or short to ground or short to power in harness or connectors.

## 5. CHECK INTERMITTENT INCIDENT

Perform [GI-49. "Intermittent Incident"](#).

OK or NG

OK >> GO TO 6.

NG >> Repair or replace.

## 6. REPLACE A/F SENSOR 1

Replace malfunctioning A/F sensor 1.

**CAUTION:**

- Discard any A/F sensor which has been dropped from a height of more than 0.5 m (19.7 in) onto a hard surface such as a concrete floor; use a new one.
- Before installing new A/F sensor, clean exhaust system threads using Heated Oxygen Sensor Thread Cleaner tool J-43897-18 or J-43897-12 and approved anti-seize lubricant.

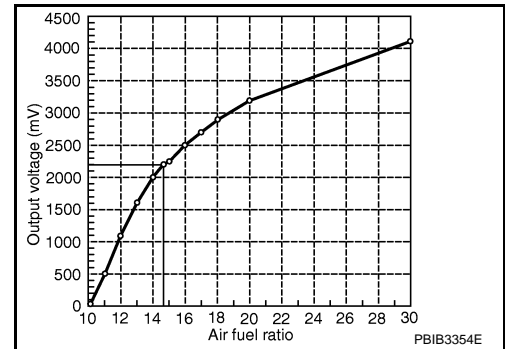
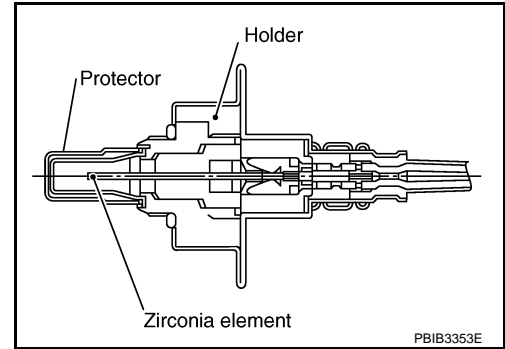
>> INSPECTION END

P0131, P0151 A/F SENSOR 1

Component Description

INFOID:000000004297341

The air fuel ratio (A/F) sensor 1 is a planar one-cell limit current sensor. The sensor element of the A/F sensor 1 is composed an electrode layer, which transports ions. It has a heater in the element. The sensor is capable of precise measurement  $\lambda = 1$ , but also in the lean and rich range. Together with its control electronics, the sensor outputs a clear, continuous signal throughout a wide  $\lambda$  range. The exhaust gas components diffuse through the diffusion layer at the sensor cell. An electrode layer is applied voltage, and this current relative oxygen density in lean. Also this current relative hydrocarbon density in rich. Therefore, the A/F sensor 1 is able to indicate air fuel ratio by this electrode layer of current. In addition, a heater is integrated in the sensor to ensure the required operating temperature of about 800°C (1,472°F).



On Board Diagnosis Logic

INFOID:000000004297342

To judge the malfunction, the diagnosis checks that the A/F signal computed by ECM from the air fuel ratio (A/F) sensor 1 signal is not inordinately low.

DTC No.	Trouble diagnosis name	DTC detecting condition	Possible Cause
P0131 0131 (Bank 1)	Air fuel ratio (A/F) sensor 1 circuit low voltage	<ul style="list-style-type: none"> <li>The A/F signal computed by ECM from the A/F sensor 1 signal is constantly approx. 0V.</li> </ul>	<ul style="list-style-type: none"> <li>Harness or connectors (The A/F sensor 1 circuit is open or shorted.)</li> <li>A/F sensor 1</li> </ul>
P0151 0151 (Bank 2)			

DTC Confirmation Procedure

INFOID:000000004297343

**NOTE:**

If DTC Confirmation Procedure has been previously conducted, always perform the following before conducting the next step.

1. Turn ignition switch OFF and wait at least 10 seconds.
2. Turn ignition switch ON.
3. Turn ignition switch OFF and wait at least 10 seconds.

**TESTING CONDITION:**

Before performing the following procedure, confirm that battery voltage is more than 11V at idle.

WITH CONSULT-III

1. Start engine and warm it up to normal operating temperature.
2. Select "A/F SEN1 (B1)" or "A/F SEN1 (B2)" in "DATA MONITOR" mode with CONSULT-III.
3. Check "A/F SEN1 (B1)" or "A/F SEN1 (B2)" indication.  
If the indication is constantly approx. 0V, go to [EC-149. "Diagnosis Procedure"](#).  
If the indication is not constantly approx. 0V, go to next step.
4. Turn ignition switch OFF and wait at least 10 seconds.



# P0131, P0151 A/F SENSOR 1

[VQ40DE]

## < COMPONENT DIAGNOSIS >

5. Turn ignition switch ON.
6. Turn ignition switch OFF and wait at least 10 seconds.
7. Restart engine.
8. Drive and accelerate vehicle to more than 40 km/h (25 MPH) within 20 seconds after restarting engine.
9. Maintain the following conditions for about 20 consecutive seconds.

ENG SPEED	1,000 - 3,200 rpm
VHCL SPEED SE	More than 40 km/h (25 MPH)
B/FUEL SCHDL	1.5 - 9.0 msec
Gear position	Suitable position

### NOTE:

- Keep the accelerator pedal as steady as possible during cruising.
- If this procedure is not completed within 1 minute after restarting engine at step 4, return to step 4.

10. Check 1st trip DTC.
11. If 1st trip DTC is displayed, go to [EC-149. "Diagnosis Procedure"](#).

### Ⓢ WITH GST

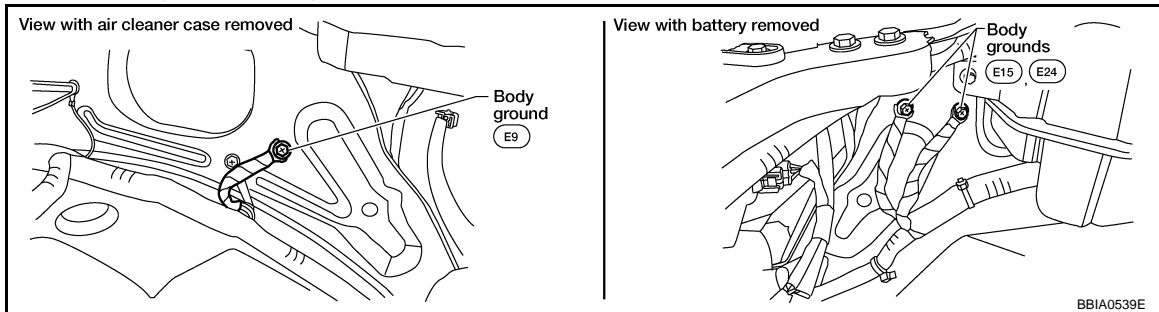
Follow the procedure "WITH CONSULT-III" above.

## Diagnosis Procedure

INFOID:000000004297344

### 1. CHECK GROUND CONNECTIONS

1. Turn ignition switch OFF.
2. Loosen and retighten three ground screws on the body. Refer to [EC-95. "Ground Inspection"](#).

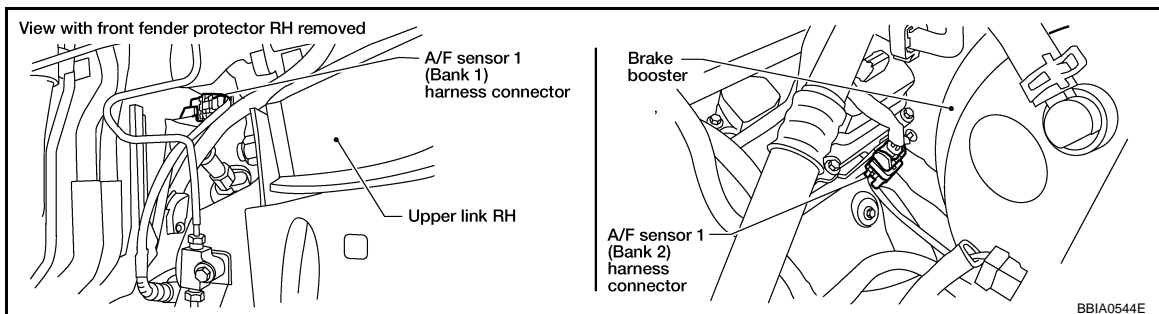


### OK or NG

- OK >> GO TO 2.  
 NG >> Repair or replace ground connections.

### 2. CHECK AIR FUEL RATIO (A/F) SENSOR 1 POWER SUPPLY CIRCUIT

1. Disconnect A/F sensor 1 harness connector.



2. Turn ignition switch ON.

# P0131, P0151 A/F SENSOR 1

[VQ40DE]

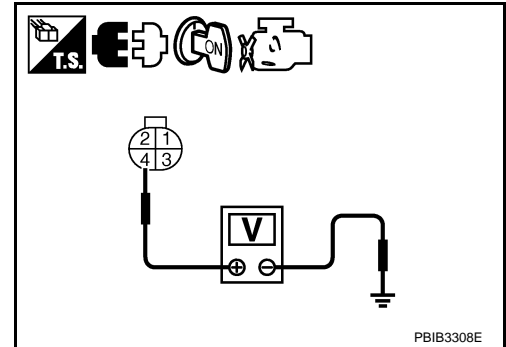
## < COMPONENT DIAGNOSIS >

3. Check voltage between A/F sensor 1 terminal 4 and ground with CONSULT-III or tester.

**Voltage: Battery voltage**

OK or NG

- OK >> GO TO 4.
- NG >> GO TO 3.



## 3. DETECT MALFUNCTIONING PART

Check the following.

- Harness connectors E2, F32
- IPDM E/R connector E119
- 15 A fuse (No.54)
- Harness for open or short between A/F sensor 1 and fuse

>> Repair or replace harness or connectors.

## 4. CHECK A/F SENSOR 1 INPUT SIGNAL CIRCUIT FOR OPEN AND SHORT

1. Turn ignition switch OFF.
2. Disconnect ECM harness connector.
3. Check harness continuity between A/F sensor 1 terminal and ECM terminal as follows. Refer to Wiring Diagram.

	A/F sensor 1 terminal	ECM terminal
Bank1	1	16
	2	75
Bank 2	1	35
	2	56

**Continuity should exist.**

4. Check harness continuity between the following terminals and ground. Refer to Wiring Diagram.

Bank 1		Bank 2	
A/F sensor 1 terminal	ECM terminal	A/F sensor 1 terminal	ECM terminal
1	16	1	35
2	75	2	56

**Continuity should not exist.**

5. Also check harness for short to power.

OK or NG

- OK >> GO TO 5.
- NG >> Repair open circuit or short to ground or short to power in harness or connectors.

## 5. CHECK INTERMITTENT INCIDENT

Perform [GI-49. "Intermittent Incident"](#).

OK or NG

- OK >> GO TO 6.
- NG >> Repair or replace.

# P0131, P0151 A/F SENSOR 1

< COMPONENT DIAGNOSIS >

[VQ40DE]

## 6. REPLACE A/F SENSOR 1

Replace malfunctioning A/F sensor 1.

**CAUTION:**

- Discard any A/F sensor which has been dropped from a height of more than 0.5 m (19.7 in) onto a hard surface such as a concrete floor; use a new one.
- Before installing new A/F sensor, clean exhaust system threads using Heated Oxygen Sensor Thread Cleaner tool J-43897-18 or J-43897-12 and approved anti-seize lubricant.

>> INSPECTION END

A

EC

C

D

E

F

G

H

I

J

K

L

M

N

O

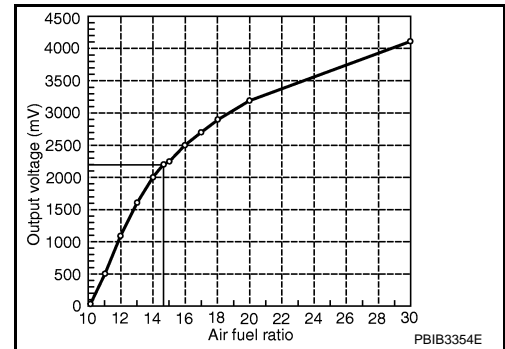
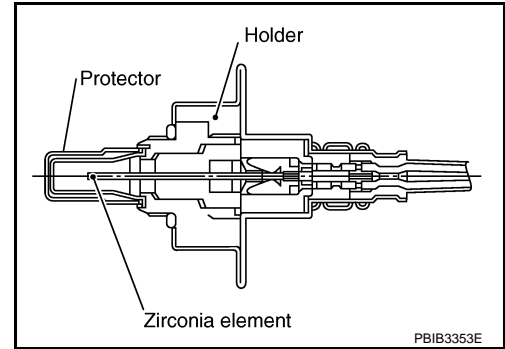
P

P0132, P0152 A/F SENSOR 1

Component Description

INFOID:000000004297345

The air fuel ratio (A/F) sensor 1 is a planar one-cell limit current sensor. The sensor element of the A/F sensor 1 is composed an electrode layer, which transports ions. It has a heater in the element. The sensor is capable of precise measurement  $\lambda = 1$ , but also in the lean and rich range. Together with its control electronics, the sensor outputs a clear, continuous signal throughout a wide  $\lambda$  range. The exhaust gas components diffuse through the diffusion layer at the sensor cell. An electrode layer is applied voltage, and this current relative oxygen density in lean. Also this current relative hydrocarbon density in rich. Therefore, the A/F sensor 1 is able to indicate air fuel ratio by this electrode layer of current. In addition, a heater is integrated in the sensor to ensure the required operating temperature of about 800°C (1,472°F).



On Board Diagnosis Logic

INFOID:000000004297346

To judge the malfunction, the diagnosis checks that the A/F signal computed by ECM from the A/F sensor 1 signal is not inordinately high.

DTC No.	Trouble diagnosis name	DTC detecting condition	Possible Cause
P0132 0132 (Bank 1)	Air fuel ratio (A/F) sensor 1 circuit high voltage	<ul style="list-style-type: none"> <li>The A/F signal computed by ECM from the A/F sensor 1 signal is constantly approx. 5V.</li> </ul>	<ul style="list-style-type: none"> <li>Harness or connectors (The A/F sensor 1 circuit is open or shorted.)</li> <li>A/F sensor 1</li> </ul>
P0152 0152 (Bank 2)			

DTC Confirmation Procedure

INFOID:000000004297347

**NOTE:**

If DTC Confirmation Procedure has been previously conducted, always perform the following before conducting the next step.

1. Turn ignition switch OFF and wait at least 10 seconds.
2. Turn ignition switch ON.
3. Turn ignition switch OFF and wait at least 10 seconds.

**TESTING CONDITION:**

Before performing the following procedure, confirm that battery voltage is more than 11V at idle.

WITH CONSULT-III

1. Start engine and warm it up to normal operating temperature.
2. Select "A/F SEN1 (B1)" or "A/F SEN1 (B2)" in "DATA MONITOR" mode with CONSULT-III.
3. Check "A/F SEN1 (B1)" or "A/F SEN1 (B2)" indication.  
If the indication is constantly approx. 5V, go to [EC-153. "Diagnosis Procedure"](#).  
If the indication is not constantly approx. 5V, go to next step.
4. Turn ignition switch OFF and wait at least 10 seconds.

# P0132, P0152 A/F SENSOR 1

[VQ40DE]

## < COMPONENT DIAGNOSIS >

5. Turn ignition switch ON.
6. Turn ignition switch OFF and wait at least 10 seconds.
7. Restart engine.
8. Drive and accelerate vehicle to more than 40 km/h (25 MPH) within 20 seconds after restarting engine.
9. Maintain the following conditions for about 20 consecutive seconds.

ENG SPEED	1,000 - 3,200 rpm
VHCL SPEED SE	More than 40 km/h (25 MPH)
B/FUEL SCHDL	1.5 - 9.0 msec
Gear position	Suitable position

**NOTE:**

- Keep the accelerator pedal as steady as possible during the cruising.
- If this procedure is not completed within 1 minute after restarting engine at step 4, return to step 4.

10. Check 1st trip DTC.
11. If 1st trip DTC displayed, go to [EC-153. "Diagnosis Procedure"](#).

 WITH GST

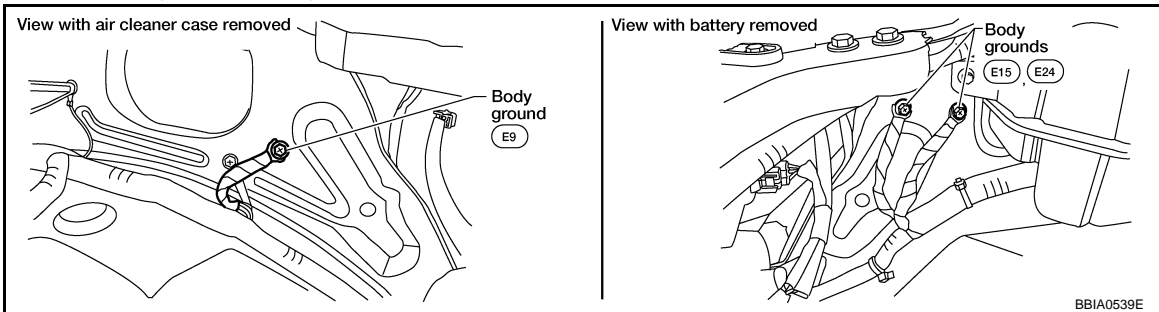
Follow the procedure "WITH CONSULT-III" above.

## Diagnosis Procedure

INFOID:000000004297348

### 1. CHECK GROUND CONNECTIONS

1. Turn ignition switch OFF.
2. Loosen and retighten three ground screws. Refer to [EC-95. "Ground Inspection"](#).

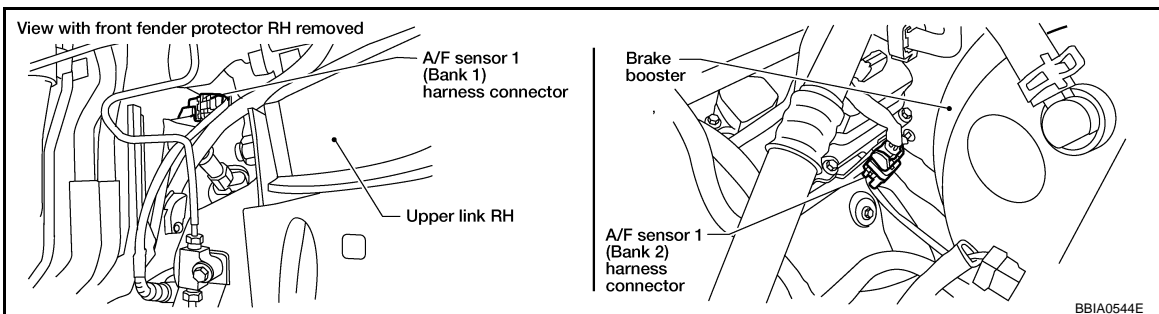


**OK or NG**

- OK >> GO TO 2.  
 NG >> Repair or replace ground connections.

### 2. CHECK AIR FUEL RATIO (A/F) SENSOR 1 POWER SUPPLY CIRCUIT

1. Disconnect A/F sensor 1 harness connector.



2. Turn ignition switch ON.

# P0132, P0152 A/F SENSOR 1

[VQ40DE]

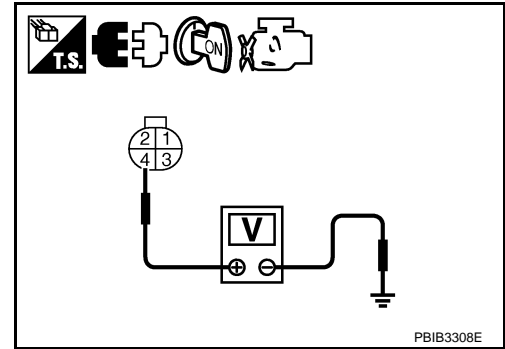
## < COMPONENT DIAGNOSIS >

3. Check voltage between A/F sensor 1 terminal 4 and ground with CONSULT-III or tester.

**Voltage: Battery voltage**

### OK or NG

- OK >> GO TO 4.
- NG >> GO TO 3.



## 3. DETECT MALFUNCTIONING PART

Check the following.

- Harness connectors E2, F32
- IPDM E/R connector E119
- 15 A fuse (No.54)
- Harness for open or short between A/F sensor 1 and fuse

>> Repair or replace harness or connectors.

## 4. CHECK A/F SENSOR 1 INPUT SIGNAL CIRCUIT FOR OPEN AND SHORT

1. Turn ignition switch OFF.
2. Disconnect ECM harness connector.
3. Check harness continuity between A/F sensor 1 terminal and ECM terminal as follows. Refer to Wiring Diagram.

	A/F sensor 1 terminal	ECM terminal
Bank1	1	16
	2	75
Bank 2	1	35
	2	56

**Continuity should exist.**

4. Check harness continuity between the following terminals and ground. Refer to Wiring Diagram.

Bank 1		Bank 2	
A/F sensor 1 terminal	ECM terminal	A/F sensor 1 terminal	ECM terminal
1	16	1	35
2	75	2	56

**Continuity should not exist.**

5. Also check harness for short to power.

### OK or NG

- OK >> GO TO 5.
- NG >> Repair open circuit or short to ground or short to power in harness or connectors.

## 5. CHECK INTERMITTENT INCIDENT

Perform [GI-49. "Intermittent Incident"](#).

### OK or NG

- OK >> GO TO 6.
- NG >> Repair or replace.

# P0132, P0152 A/F SENSOR 1

< COMPONENT DIAGNOSIS >

[VQ40DE]

## 6. REPLACE A/F SENSOR 1

Replace malfunctioning A/F sensor 1.

**CAUTION:**

- Discard any A/F sensor which has been dropped from a height of more than 0.5 m (19.7 in) onto a hard surface such as a concrete floor; use a new one.
- Before installing new A/F sensor, clean exhaust system threads using Heated Oxygen Sensor Thread Cleaner tool J-43897-18 or J-43897-12 and approved anti-seize lubricant.

>> INSPECTION END

A

EC

C

D

E

F

G

H

I

J

K

L

M

N

O

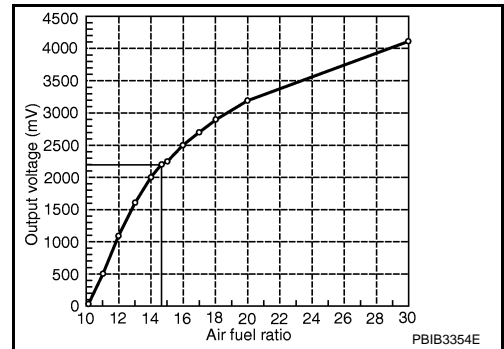
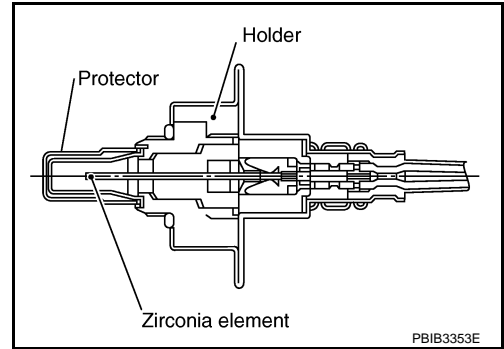
P

P0133, P0153 A/F SENSOR 1

Component Description

INFOID:000000004297349

The air fuel ratio (A/F) sensor 1 is a planar one-cell limit current sensor. The sensor element of the A/F sensor 1 is composed an electrode layer, which transports ions. It has a heater in the element. The sensor is capable of precise measurement  $\lambda = 1$ , but also in the lean and rich range. Together with its control electronics, the sensor outputs a clear, continuous signal throughout a wide  $\lambda$  range. The exhaust gas components diffuse through the diffusion layer at the sensor cell. An electrode layer is applied voltage, and this current relative oxygen density in lean. Also this current relative hydrocarbon density in rich. Therefore, the A/F sensor 1 is able to indicate air fuel ratio by this electrode layer of current. In addition, a heater is integrated in the sensor to ensure the required operating temperature of about 800°C (1,472°F).



On Board Diagnosis Logic

INFOID:000000004297350

To judge the malfunction of A/F sensor 1, this diagnosis measures response time of the A/F signal computed by ECM from the A/F sensor 1 signal. The time is compensated by engine operating (speed and load), fuel feedback control constant, and the A/F sensor 1 temperature index. Judgment is based on whether the compensated time (the A/F signal cycling time index) is inordinately long or not.

DTC No.	Trouble diagnosis name	DTC detecting condition	Possible Cause
P0133 0133 (Bank 1)	Air fuel ratio (A/F) sensor 1 circuit slow response	<ul style="list-style-type: none"> <li>The response of the A/F signal computed by ECM from A/F sensor 1 signal takes more than the specified time.</li> </ul>	<ul style="list-style-type: none"> <li>Harness or connectors (The A/F sensor 1 circuit is open or shorted.)</li> <li>A/F sensor 1</li> <li>A/F sensor 1 heater</li> <li>Fuel pressure</li> <li>Fuel injector</li> <li>Intake air leaks</li> <li>Exhaust gas leaks</li> <li>PCV</li> <li>Mass air flow sensor</li> </ul>
P0153 0153 (Bank 2)			

DTC Confirmation Procedure

INFOID:000000004297351

**NOTE:**

If DTC Confirmation Procedure has been previously conducted, always perform the following before conducting the next test.

**TESTING CONDITION:**

**Before performing the following procedure, confirm that battery voltage is more than 11V at idle.**

WITH CONSULT-III

1. Start engine and warm it up to normal operating temperature.
2. Turn ignition switch OFF and wait at least 10 seconds.
3. Turn ignition switch ON.



# P0133, P0153 A/F SENSOR 1

< COMPONENT DIAGNOSIS >

[VQ40DE]

4. Turn ignition switch OFF and wait at least 10 seconds.
5. Start engine and keep the engine speed between 3,500 and 4,000 rpm for at least 1 minute under no load.
6. Let engine idle for 1 minute.
7. Select "A/F SEN1(B1) P1278/P1279" (for DTC P0133) or "A/F SEN1(B2) P1288/P1289" (for DTC P0153) of "A/F SEN1" in "DTC WORK SUPPORT" mode with CONSULT-III.
8. Touch "START".  
If "COMPLETED" appears on CONSULT-III screen, go to step 10.  
If "COMPLETED" does not appear on CONSULT-III screen, go to the following step.
9. After perform the following procedure, "TESTING" will be displayed on the CONSULT-III screen.
  - a. Increase the engine speed up to between 4,000 to 5,000 rpm and maintain that speed it for 10 seconds.
  - b. Fully release accelerator pedal and then let engine idle for about 10 seconds.  
If "TESTING" is not displayed after 10 seconds, refer to [EC-84, "Description"](#).
10. Wait for about 20 seconds idle under the condition that "TESTING" is displayed on the CONSULT-III screen.
11. Make sure that "TESTING" changes to "COMPLETED".  
If "TESTING" changed to "OUT OF CONDITION", refer to [EC-84, "Description"](#).
12. Make sure that "OK" is displayed after touching "SELF-DIAG RESULT".  
If "NG" is displayed, go to [EC-157, "Diagnosis Procedure"](#).

## WITH GST

1. Start engine and warm it up to normal operating temperature.
2. Select Service \$01 with GST.
3. Calculate the total value of "Short term fuel trim" and "Long term fuel trim" indications.  
Make sure that the total percentage should be within  $\pm 15\%$ .  
If OK, go to the following step.  
If NG, check the following.
  - Intake air leaks
  - Exhaust gas leaks
  - Incorrect fuel pressure
  - Lack of fuel
  - Fuel injector
  - Incorrect PCV hose connection
  - PCV valve
  - Mass air flow sensor
4. Turn ignition switch OFF and wait at least 10 seconds.
5. Turn ignition switch ON.
6. Turn ignition switch OFF and wait at least 10 seconds.
7. Start engine and keep the engine speed between 3,500 and 4,000 rpm for at least 1 minute under no load.
8. Let engine idle for 1 minute.
9. Increase the engine speed up to between 4,000 to 5,000 rpm and keep it for 10 seconds.
10. Fully release accelerator pedal and then let engine idle for about 1 minute.
11. Select Service \$03 with GST and make sure that no DTC is displayed.  
If the DTC is displayed, go to [EC-157, "Diagnosis Procedure"](#).

## Diagnosis Procedure

INFOID:000000004297352

### 1. CHECK GROUND CONNECTIONS

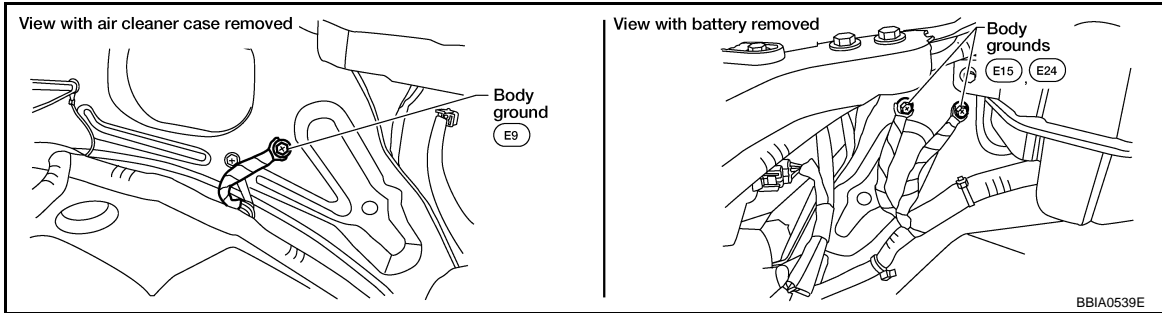
1. Turn ignition switch OFF.

# P0133, P0153 A/F SENSOR 1

[VQ40DE]

## < COMPONENT DIAGNOSIS >

- Loosen and retighten three ground screws on the body. Refer to [EC-95, "Ground Inspection"](#).



### OK or NG

- OK >> GO TO 2.
- NG >> Repair or replace ground connections.

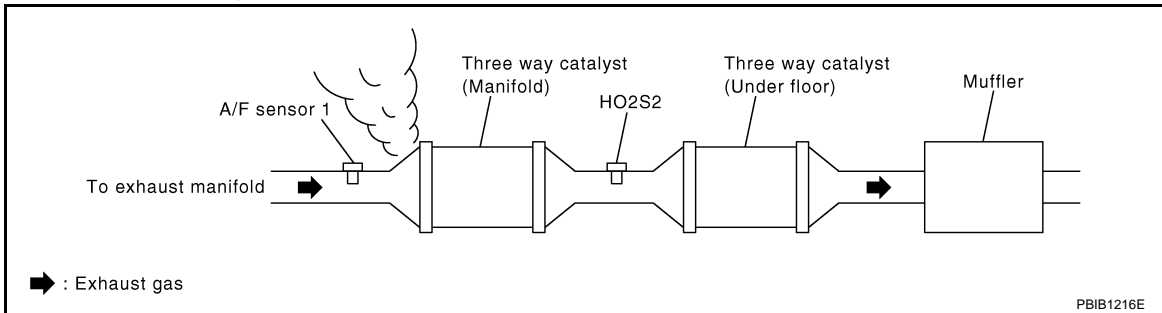
## 2. RETIGHTEN AIR FUEL RATIO (A/F) SENSOR 1

Loosen and retighten A/F sensor 1.  
Refer to [EM-31, "Removal and Installation"](#).

>> GO TO 3.

## 3. CHECK EXHAUST GAS LEAK

- Start engine and run it at idle.
- Listen for an exhaust gas leak before three way catalyst (manifold).



### OK or NG

- OK >> GO TO 4.
- NG >> Repair or replace.

## 4. CHECK FOR INTAKE AIR LEAK

Listen for an intake air leak after the mass air flow sensor.

### OK or NG

- OK >> GO TO 5.
- NG >> Repair or replace.

## 5. CLEAR THE SELF-LEARNING DATA

### ⓑ With CONSULT-III

- Start engine and warm it up to normal operating temperature.
- Select "SELF-LEARNING CONT" in "WORK SUPPORT" mode with CONSULT-III.
- Clear the self-learning control coefficient by touching "CLEAR" or "START".
- Run engine for at least 10 minutes at idle speed.  
**Is the 1st trip DTC P0171, P172, P0174 or P0175 detected? Is it difficult to start engine?**

### ⓧ Without CONSULT-III

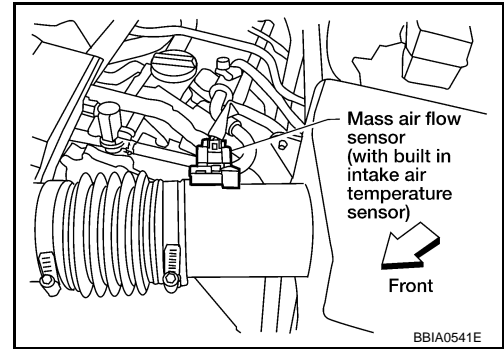
- Start engine and warm it up to normal operating temperature.
- Turn ignition switch OFF.

# P0133, P0153 A/F SENSOR 1

[VQ40DE]

## < COMPONENT DIAGNOSIS >

3. Disconnect mass air flow sensor harness connector.
4. Restart engine and let it idle for at least 3 seconds.
5. Stop engine and reconnect mass air flow sensor harness connector.
6. Make sure DTC P0102 is displayed.
7. Erase the DTC memory. Refer to [EC-53. "Emission-related Diagnostic Information"](#).
8. Make sure DTC P0000 is displayed.
9. Run engine for at least 10 minutes at idle speed.  
**Is the 1st trip DTC P0171, P0172, P0174 or P0175 detected?**  
**Is it difficult to start engine?**

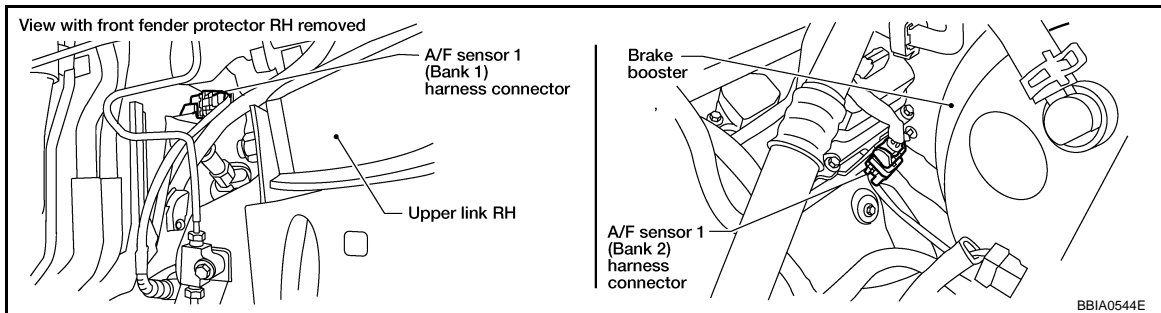


### Yes or No

- Yes >> Perform trouble diagnosis for DTC P0171, P0174 or P0172, P0175. Refer to [EC-181](#) or [EC-187](#).  
 No >> GO TO 6.

## 6. CHECK A/F SENSOR 1 POWER SUPPLY CIRCUIT

1. Turn ignition switch OFF.
2. Disconnect A/F sensor 1 harness connector.

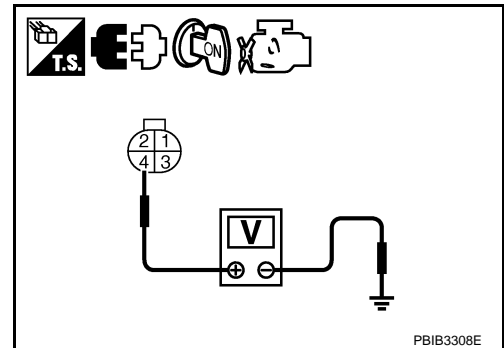


3. Turn ignition switch ON.
4. Check voltage between A/F sensor 1 terminal 4 and ground with CONSULT-III or tester.

**Voltage: Battery voltage**

### OK or NG

- OK >> GO TO 8.  
 NG >> GO TO 7.



## 7. DETECT MALFUNCTIONING PART

Check the following.

- Harness connectors E2, F32
- IPDM E/R connector E119
- 15 A fuse (No.54)
- Harness for open or short between A/F sensor 1 and fuse

>> Repair or replace harness or connectors.

## 8. CHECK A/F SENSOR 1 INPUT SIGNAL CIRCUIT FOR OPEN AND SHORT

1. Turn ignition switch OFF.
2. Disconnect ECM harness connector.
3. Check harness continuity between A/F sensor 1 terminal and ECM terminal as follows.  
 Refer to Wiring Diagram.

	A/F sensor 1 terminal	ECM terminal

# P0133, P0153 A/F SENSOR 1

[VQ40DE]

## < COMPONENT DIAGNOSIS >

Bank1	1	16
	2	75
Bank 2	1	35
	2	56

**Continuity should exist.**

4. Check harness continuity between the following terminals and ground.  
Refer to Wiring Diagram.

Bank 1		Bank 2	
A/F sensor 1 terminal	ECM terminal	A/F sensor 1 terminal	ECM terminal
1	16	1	35
2	75	2	56

**Continuity should not exist.**

5. Also check harness for short to power.

OK or NG

OK >> GO TO 9.

NG >> Repair open circuit or short to ground or short to power in harness or connectors.

## 9. CHECK A/F SENSOR 1 HEATER

Refer to [EC-103, "Component Inspection"](#).

OK or NG

OK >> GO TO 10.

NG >> GO TO 13.

## 10. CHECK MASS AIR FLOW SENSOR

Refer to [EC-115, "Component Inspection"](#).

OK or NG

OK >> GO TO 11.

NG >> Replace mass air flow sensor.

## 11. CHECK PCV VALVE

Refer to [EC-412, "Component Inspection"](#).

OK or NG

OK >> GO TO 12.

NG >> Repair or replace PCV valve.

## 12. CHECK INTERMITTENT INCIDENT

Perform [GI-49, "Intermittent Incident"](#).

OK or NG

OK >> GO TO 13.

NG >> Repair or replace.

## 13. REPLACE A/F SENSOR 1

Replace malfunctioning A/F sensor 1.

**CAUTION:**

- Discard any A/F sensor which has been dropped from a height of more than 0.5 m (19.7 in) onto a hard surface such as a concrete floor; use a new one.
- Before installing new A/F sensor, clean exhaust system threads using Heated Oxygen Sensor Thread Cleaner tool J-43897-18 or J-43897-12 and approved anti-seize lubricant.

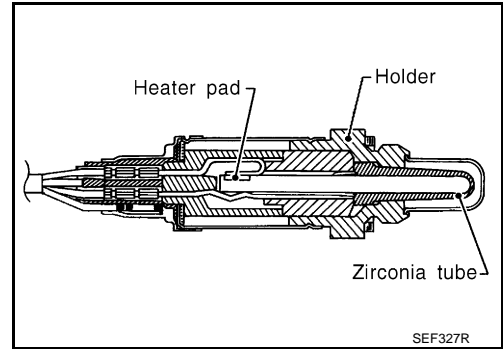
>> INSPECTION END

P0137, P0157 HO2S2

Component Description

INFOID:000000004297353

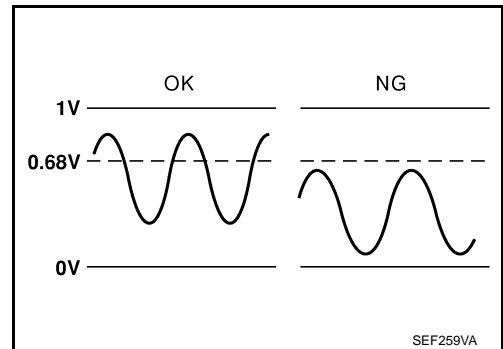
The heated oxygen sensor 2, after three way catalyst (manifold), monitors the oxygen level in the exhaust gas on each bank. Even if switching characteristics of the air fuel ratio (A/F) sensor 1 are shifted, the air-fuel ratio is controlled to stoichiometric, by the signal from the heated oxygen sensor 2. This sensor is made of ceramic zirconia. The zirconia generates voltage from approximately 1V in richer conditions to 0V in leaner conditions. Under normal conditions the heated oxygen sensor 2 is not used for engine control operation.



On Board Diagnosis Logic

INFOID:000000004297354

The heated oxygen sensor 2 has a much longer switching time between rich and lean than the air fuel ratio (A/F) sensor 1. The oxygen storage capacity of the three way catalyst (manifold) causes the longer switching time. To judge the malfunctions of heated oxygen sensor 2, ECM monitors whether the maximum voltage of the sensor is sufficiently high during various driving conditions such as fuel-cut.



DTC No.	Trouble diagnosis name	DTC detecting condition	Possible cause
P0137 0137 (Bank 1)	Heated oxygen sensor 2 circuit low voltage	The maximum voltage from the sensor does not reach the specified voltage.	<ul style="list-style-type: none"> <li>• Harness or connectors (The sensor circuit is open or shorted)</li> <li>• Heated oxygen sensor 2</li> <li>• Fuel pressure</li> <li>• Fuel injector</li> <li>• Intake air leaks</li> </ul>
P0157 0157 (Bank 2)			

DTC Confirmation Procedure

INFOID:000000004297355

**NOTE:**

If DTC confirmation Procedure has been previously conducted, always perform the following before conducting the next step.

1. Turn ignition switch OFF and wait at least 10 seconds.
2. Turn ignition switch ON.
3. Turn ignition switch OFF and wait at least 10 seconds.

Ⓜ WITH CONSULT-III

**TESTING CONDITION:**

**For better results, perform DTC WORK SUPPORT at a temperature of 0 to 30 °C (32 to 86 °F).**

1. Turn ignition switch ON and select "DATA MONITOR" mode with CONSULT-III.
2. Start engine and warm it up to the normal operating temperature.
3. Turn ignition switch OFF and wait at least 10 seconds.
4. Turn ignition switch ON.
5. Turn ignition switch OFF and wait at least 10 seconds.
6. Start engine and keep the engine speed between 3,500 and 4,000 rpm for at least 1 minute under no load.

< COMPONENT DIAGNOSIS >

7. Let engine idle for 1 minute.
8. Make sure that "COOLAN TEMP/S" indicates more than 70°C (158°F).  
If not, warm up engine and go to next step when "COOLAN TEMP/S" indication reaches 70°C (158°F).
9. Open engine hood.
10. Select "HO2S2 (B1) P1147" (for DTC P0137) or "HO2S2 (B2) P1167" (for DTC P0157) of "HO2S2" in "DTC WORK SUPPORT" mode with CONSULT-III.
11. Follow the instruction of CONSULT-III.

**NOTE:**

It will take at most 10 minutes until "COMPLETED" is displayed.

12. Make sure that "OK" is displayed after touching "SELF-DIAG RESULTS".  
If "NG" is displayed, refer to [EC-162, "Diagnosis Procedure"](#).  
If "CAN NOT BE DIAGNOSED" is displayed, perform the following.
  - a. Turn ignition switch OFF and leave the vehicle in a cool place (soak the vehicle).
  - b. Return to step 1.

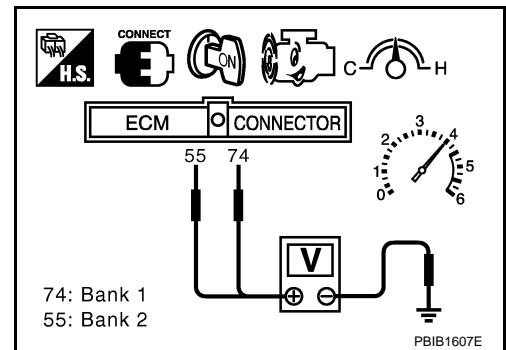
Overall Function Check

INFOID:000000004297356

Use this procedure to check the overall function of the heated oxygen sensor 2 circuit. During this check, a 1st trip DTC might not be confirmed.

 WITH GST

1. Start engine and warm it up to the normal operating temperature.
2. Turn ignition switch OFF and wait at least 10 seconds.
3. Turn ignition switch ON.
4. Turn ignition switch OFF and wait at least 10 seconds.
5. Start engine and keep the engine speed between 3,500 and 4,000 rpm for at least 1 minute under no load.
6. Let engine idle for 1 minute.  
**The voltage should be above 0.68V and below 0.18V at least once during this procedure.**  
**If the voltage can be confirmed in step 6, step 7 is not necessary.**
7. Set voltmeter probes between ECM terminal 74 [HO2S2 (B1) signal] or 55 [HO2S2 (B2) signal] and ground.  
**The voltage should be above 0.68V and 0.18V at least once during this procedure.**
8. Check the voltage when revving up to 4,000 rpm under no load at least 10 times.  
(Depress and release accelerator pedal as soon as possible.)
9. Keep vehicle at idling for 10 minutes, then check the voltage. Or check the voltage when coasting from 80 km/h (50 MPH) in D position with "OD" OFF.  
**The voltage should be above 0.68V and 0.18V at least once during this procedure.**
10. If NG, go to [EC-162, "Diagnosis Procedure"](#).



Diagnosis Procedure

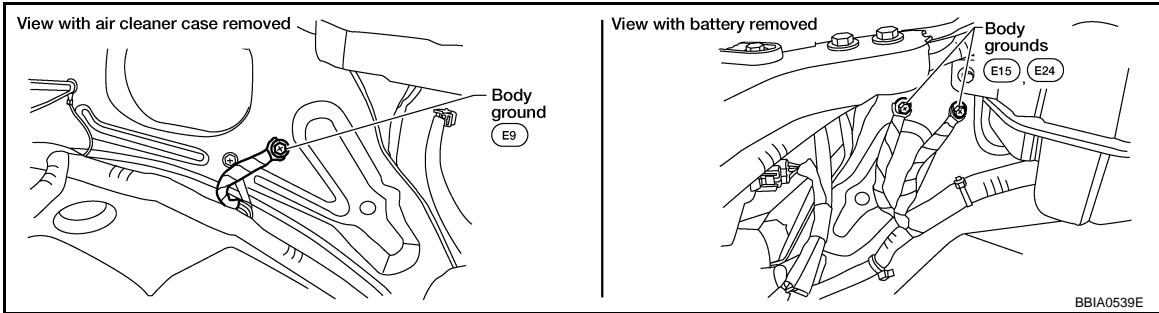
INFOID:000000004297357

**1**.CHECK GROUND CONNECTIONS

1. Turn ignition switch OFF.

< COMPONENT DIAGNOSIS >

2. Loosen and retighten three ground screws on the body. Refer to [EC-95. "Ground Inspection"](#).



OK or NG

- OK >> GO TO 2.  
 NG >> Repair or replace ground connections.

**2. CLEAR THE SELF-LEARNING DATA**

**With CONSULT-III**

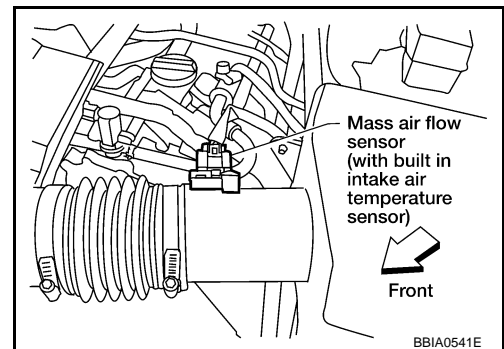
1. Start engine and warm it up to normal operating temperature.
2. Select "SELF-LEARNING CONT" in "WORK SUPPORT" mode with CONSULT-III.
3. Clear the self-learning control coefficient by touching "CLEAR".
4. Run engine for at least 10 minutes at idle speed.

**Is the 1st trip DTC P0171 or P0174 detected?  
 Is it difficult to start engine?**

**Without CONSULT-III**

1. Start engine and warm it up to normal operating temperature.
2. Turn ignition switch OFF.
3. Disconnect mass air flow sensor harness connector, and restart and run engine for at least 5 seconds at idle speed.
4. Stop engine and reconnect mass air flow sensor harness connector.
5. Make sure DTC P0102 is displayed.
6. Erase the DTC memory. Refer to [EC-53. "Emission-related Diagnostic Information"](#).
7. Make sure DTC P0000 is displayed.
8. Run engine for at least 10 minutes at idle speed.

**Is the 1st trip DTC P0171 or P0174 detected?  
 Is it difficult to start engine?**



Yes or No

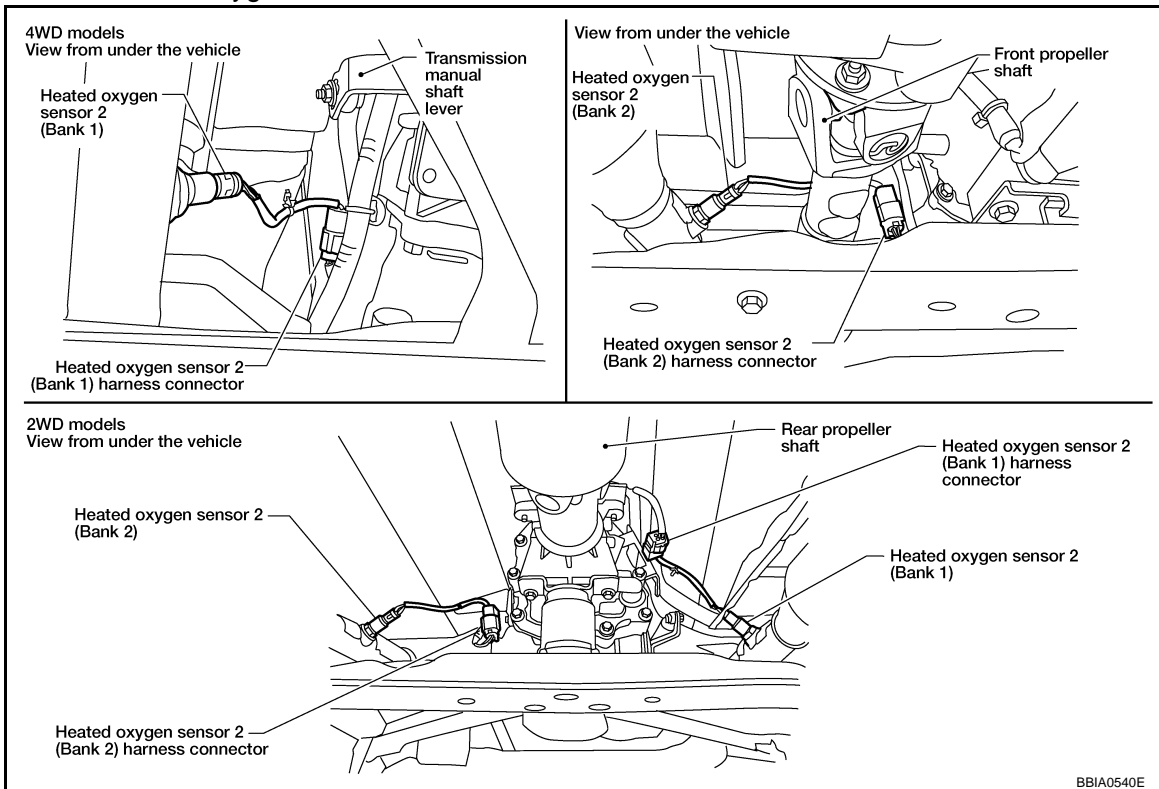
- Yes >> Perform trouble diagnosis for DTC P0171 or P0174. Refer to [EC-181](#).  
 No >> GO TO 3.

**3. CHECK HO2S2 GROUND CIRCUIT FOR OPEN AND SHORT**

1. Turn ignition switch OFF.

< COMPONENT DIAGNOSIS >

2. Disconnect heated oxygen sensor 2 harness connector.



3. Disconnect ECM harness connector.
4. Check harness continuity between HO2S2 terminal 4 and ECM terminal 78. Refer to Wiring Diagram.

**Continuity should exist.**

5. Also check harness for short to ground and short to power.

**OK or NG**

OK >> GO TO 4.

NG >> Repair open circuit or short to ground or short to power in harness or connectors.

**4. CHECK HO2S2 INPUT SIGNAL CIRCUIT FOR OPEN AND SHORT**

1. Check harness continuity between ECM terminal and HO2S2 terminal as follows. Refer to Wiring Diagram.

DTC	Terminals		Bank
	ECM	Sensor	
P0137	74	1	1
P0157	55	1	2

**Continuity should exist.**

2. Check harness continuity between the following terminals and ground. Refer to Wiring Diagram.

DTC	Terminals		Bank
	ECM	Sensor	
P0137	74	1	1
P0157	55	1	2

**Continuity should not exist.**



< COMPONENT DIAGNOSIS >

3. Also check harness for short to power.

OK or NG

OK >> GO TO 5.

NG >> Repair open circuit or short to ground or short to power in harness or connectors.

**5. CHECK HEATED OXYGEN SENSOR 2**

Refer to [EC-165, "Component Inspection"](#).

OK or NG

OK >> GO TO 6.

NG >> Replace malfunctioning heated oxygen sensor 2.

**6. CHECK INTERMITTENT INCIDENT**

Refer to [GI-49, "Intermittent Incident"](#).

>> **INSPECTION END**

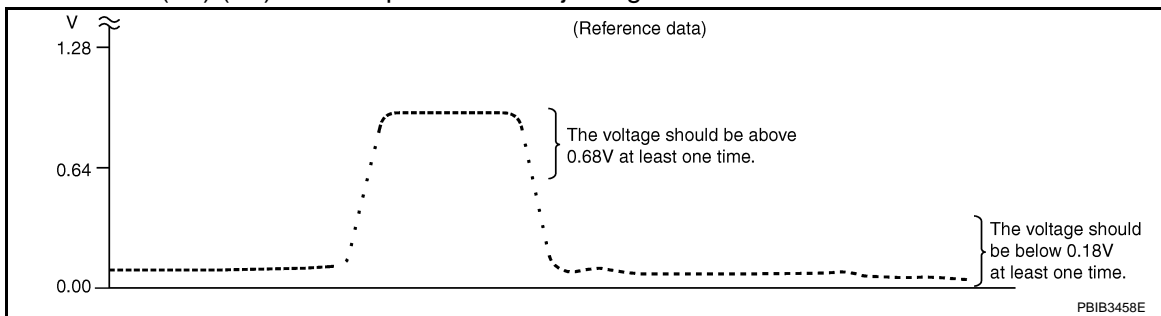
Component Inspection

INFOID:000000004297358

HEATED OXYGEN SENSOR 2

 With CONSULT-III

1. Turn ignition switch ON and select "DATA MONITOR" mode with CONSULT-III.
2. Start engine and warm it up to the normal operating temperature.
3. Turn ignition switch OFF and wait at least 10 seconds.
4. Start engine and keep the engine speed between 3,500 and 4,000 rpm for at least 1 minute under no load.
5. Let engine idle for 1 minute.
6. Select "FUEL INJECTION" in "ACTIVE TEST" mode, and select "HO2S2 (B1)/(B2)" as the monitor item with CONSULT-III.
7. Check "HO2S2 (B1)/(B2)" at idle speed when adjusting "FUEL INJECTION" to  $\pm 25\%$ .



"HO2S2 (B1)/(B2)" should be above 0.68V at least once when the "FUEL INJECTION" is +25%.

"HO2S2 (B1)/(B2)" should be below 0.18V at least once when the "FUEL INJECTION" is -25%.

**CAUTION:**

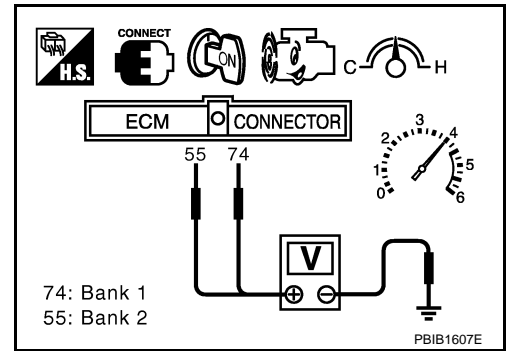
- Discard any heated oxygen sensor which has been dropped from a height of more than 0.5 m (19.7 in) onto a hard surface such as a concrete floor; use a new one.
- Before installing new oxygen sensor, clean exhaust system threads using Oxygen Sensor Thread Cleaner tool J-43897-18 or J-43897-12 and approved anti-seize lubricant.

 Without CONSULT-III

1. Start engine and warm it up to the normal operating temperature.
2. Turn ignition switch OFF and wait at least 10 seconds.
3. Start engine and keep the engine speed between 3,500 and 4,000 rpm for at least 1 minute under no load.
4. Let engine idle for 1 minute.
5. Set voltmeter probes between ECM terminal 74 [HO2S2 (B1) signal] or 55 [HO2S2 (B2) signal] and ground.

< COMPONENT DIAGNOSIS >

6. Check the voltage when revving up to 4,000 rpm under no load at least 10 times.  
(Depress and release accelerator pedal as soon as possible.)  
**The voltage should be above 0.68V and below 0.18V at least once during this procedure.**  
**If the voltage can be confirmed at step 6, step 7 is not necessary.**
7. Keep vehicle at idling for 10 minutes, then check voltage. Or check the voltage when coasting from 80 km/h (50 MPH) in D position with "OD" OFF.  
**The voltage should be above 0.68V and below 0.18V at least once during this procedure.**
8. If NG, replace heated oxygen sensor 2.



**CAUTION:**

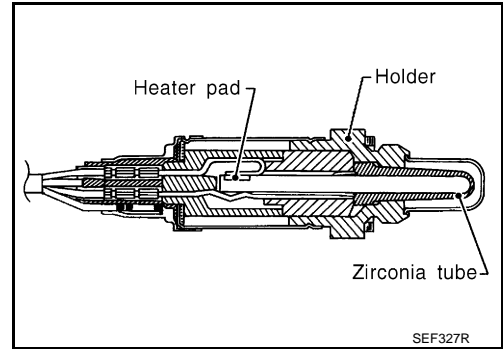
- Discard any heated oxygen sensor which has been dropped from a height of more than 0.5 m (19.7 in) onto a hard surface such as a concrete floor; use a new one.
- Before installing new oxygen sensor, clean exhaust system threads using Oxygen Sensor Thread Cleaner tool J-43897-18 or J-43897-12 and approved anti-seize lubricant.

P0138, P0158 HO2S2

Component Description

INFOID:000000004297359

The heated oxygen sensor 2, after three way catalyst (manifold), monitors the oxygen level in the exhaust gas on each bank. Even if switching characteristics of the air fuel ratio (A/F) sensor 1 are shifted, the air-fuel ratio is controlled to stoichiometric, by the signal from the heated oxygen sensor 2. This sensor is made of ceramic zirconia. The zirconia generates voltage from approximately 1V in richer conditions to 0V in leaner conditions. Under normal conditions the heated oxygen sensor 2 is not used for engine control operation.



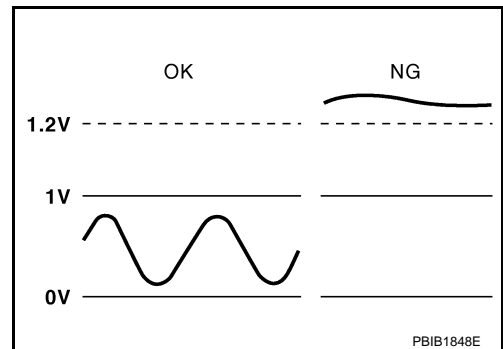
On Board Diagnosis Logic

INFOID:000000004297360

The heated oxygen sensor 2 has a much longer switching time between rich and lean than the air fuel ratio (A/F) sensor 1. The oxygen storage capacity of the three way catalyst (manifold) causes the longer switching time.

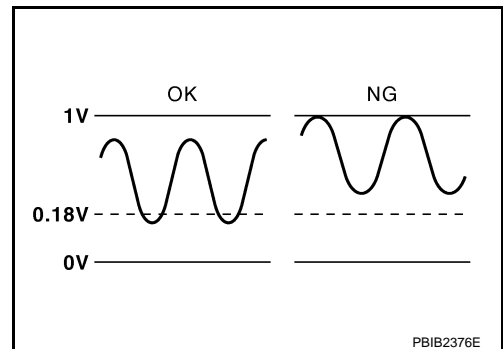
MALFUNCTION A

To judge the malfunctions of heated oxygen sensor 2, ECM monitors whether the voltage is unusually high during various driving conditions such as fuelcut.



MALFUNCTION B

To judge the malfunctions of heated oxygen sensor 2, ECM monitors whether the minimum voltage of sensor is sufficiently low during various driving conditions such as fuelcut.



DTC No.	Trouble diagnosis name	DTC detecting condition		Possible cause
P0138 0138 (Bank 1)	Heated oxygen sensor 2 circuit high voltage	A)	An excessively high voltage from the sensor is sent to ECM.	<ul style="list-style-type: none"> <li>• Harness or connectors (The sensor circuit is open or shorted)</li> <li>• Heated oxygen sensor 2</li> </ul>
P0158 0158 (Bank 2)		B)	The minimum voltage from the sensor is not reached to the specified voltage.	<ul style="list-style-type: none"> <li>• Harness or connectors (The sensor circuit is open or shorted)</li> <li>• Heated oxygen sensor 2</li> <li>• Fuel pressure</li> <li>• Fuel injector</li> </ul>

## DTC Confirmation Procedure

INFOID:000000004297361

**Perform PROCEDURE FOR MALFUNCTION A first.**

**If DTC cannot be confirmed, perform PROCEDURE FOR MALFUNCTION B.**

**NOTE:**

If DTC Confirmation Procedure has been previously conducted, always perform the following before conducting the next step.

1. Turn ignition switch OFF and wait at least 10 seconds.
2. Turn ignition switch ON.
3. Turn ignition switch OFF and wait at least 10 seconds.

## PROCEDURE FOR MALFUNCTION A

## Ⓜ With CONSULT-III

1. Turn ignition switch ON and select "DATA MONITOR" mode with CONSULT-III.
2. Start engine and warm it up to the normal operating temperature.
3. Turn ignition switch OFF and wait at least 10 seconds.
4. Turn ignition switch ON.
5. Turn ignition switch OFF and wait at least 10 seconds.
6. Start engine and keep the engine speed between 3,500 and 4,000 rpm for at least 1 minute under no load.
7. Let engine idle for 2 minutes.
8. Check 1st trip DTC.
9. If 1st trip DTC is detected, go to [EC-169. "Diagnosis Procedure"](#).

## Ⓜ With GST

Follow the procedure "WITH CONSULT-III" above.

## PROCEDURE FOR MALFUNCTION B

## Ⓜ With CONSULT-III

**TESTING CONDITION:**

**For better results, perform DTC WORK SUPPORT at a temperature of 0 to 30 °C (32 to 86 °F).**

1. Turn ignition switch ON and select "DATA MONITOR" mode with CONSULT-III.
2. Start engine and warm it up to the normal operating temperature.
3. Turn ignition switch OFF and wait at least 10 seconds.
4. Turn ignition switch ON.
5. Turn ignition switch OFF and wait at least 10 seconds.
6. Start engine and keep the engine speed between 3,500 and 4,000 rpm for at least 1 minute under no load.
7. Let engine idle for 1 minute.
8. Make sure that "COOLAN TEMP/S" indicates more than 70°C (158°F).  
If not, warm up engine and go to next step when "COOLAN TEMP/S" indication reaches 70°C (158°F).
9. Open engine hood.
10. Select "HO2S2 (B1) P1146" (for DTC P138) or "HO2S2 (B2) P1166" (for DTC P0158) of "HO2S2" in "DTC WORK SUPPORT" mode with CONSULT-III.
11. Follow the instruction of CONSULT-III.

**NOTE:**

It will take at most 10 minutes until "COMPLETED" is displayed.

12. Make sure that "OK" is displayed after touching "SELF-DIAG RESULTS".  
If "NG" is displayed, refer to [EC-169. "Diagnosis Procedure"](#).  
If "CAN NOT BE DIAGNOSED" is displayed, perform the following.
  - a. Turn ignition switch OFF and leave the vehicle in a cool place (soak the vehicle).
  - b. Return to step 1.

## Overall Function Check

INFOID:000000004297362

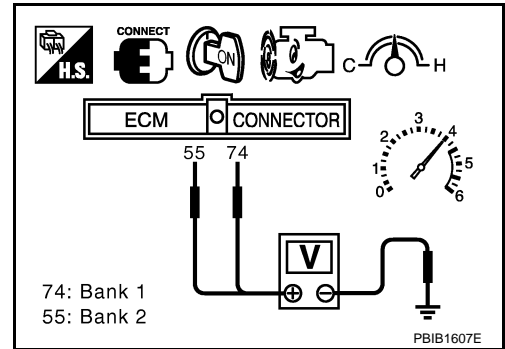
## PROCEDURE FOR MALFUNCTION B

< COMPONENT DIAGNOSIS >

Use this procedure to check the overall function of the heated oxygen sensor 2 circuit. During this check, a 1st trip DTC might not be confirmed.

 With GST

1. Start engine and warm it up to the normal operating temperature.
2. Turn ignition switch OFF and wait at least 10 seconds.
3. Turn ignition switch ON.
4. Turn ignition switch OFF and wait at least 10 seconds.
5. Start engine and keep the engine speed between 3,500 and 4,000 rpm for at least 1 minute under no load.
6. Let engine idle for 1 minute.
7. Set voltmeter probes between ECM terminal 74 [HO2S2 (B1) signal] or 55 [HO2S2 (B2) signal] and ground.  
**The voltage should be below 0.18V at least once during this procedure.**  
**If the voltage can be confirmed in step 6, step 7 is not necessary.**
9. Keep vehicle at idling for 10 minutes, then check the voltage. Or check the voltage when coasting from 80 km/h (50 MPH) in D position with "OD" OFF.  
**The voltage should be below 0.18V at least once during this procedure.**
10. If NG, go to [EC-169. "Diagnosis Procedure"](#).



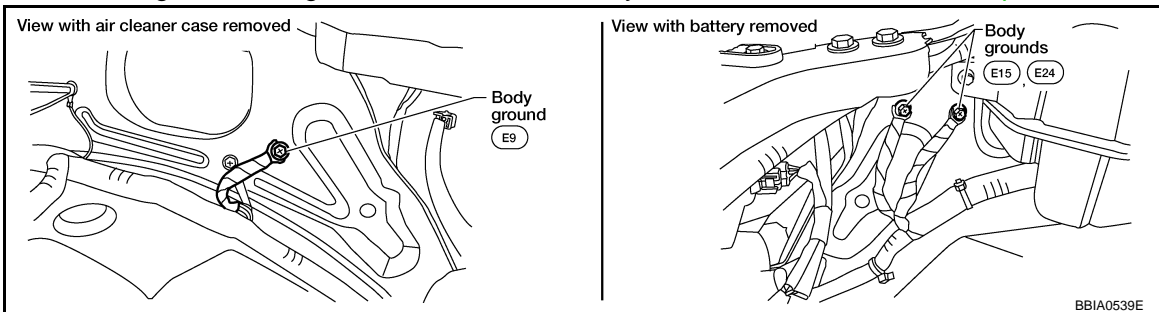
Diagnosis Procedure

INFOID:000000004297363

PROCEDURE FOR MALFUNCTION A

1. CHECK GROUND CONNECTIONS

1. Turn ignition switch OFF.
2. Loosen and retighten three ground screws on the body. Refer to [EC-95. "Ground Inspection"](#).



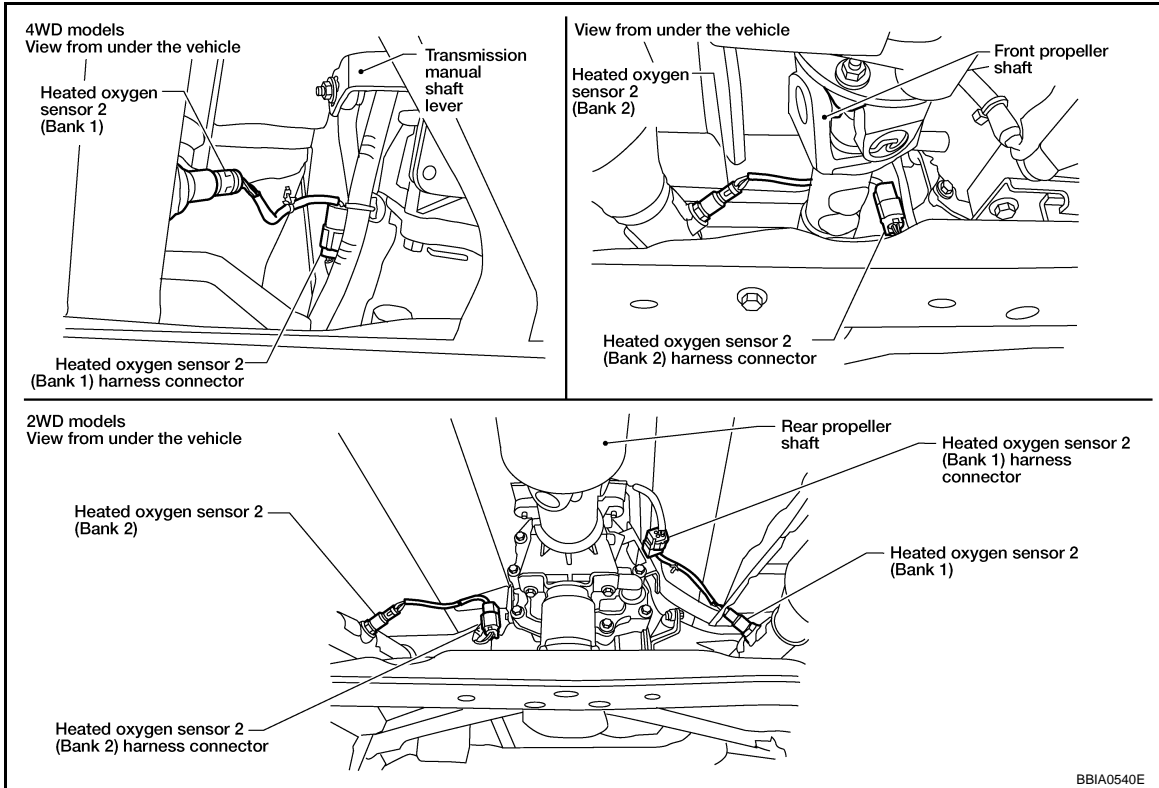
OK or NG

- OK >> GO TO 2.
- NG >> Repair or replace ground connections.

2. CHECK HO2S2 GROUND CIRCUIT FOR OPEN AND SHORT

< COMPONENT DIAGNOSIS >

1. Disconnect heated oxygen sensor 2 harness connector.



2. Disconnect ECM harness connector.
3. Check harness continuity between HO2S2 terminal 4 and ECM terminal 78. Refer to Wiring Diagram.

**Continuity should exist.**

4. Also check harness for short to ground and short to power.

**OK or NG**

OK >> GO TO 3.

NG >> Repair open circuit or short to ground or short to power in harness or connectors.

**3. CHECK HO2S2 INPUT SIGNAL CIRCUIT FOR OPEN AND SHORT**

1. Check harness continuity between ECM terminal and HO2S2 terminal as follows. Refer to Wiring Diagram.

DTC	Terminals		Bank
	ECM	Sensor	
P0138	74	1	1
P0158	55	1	2

**Continuity should exist.**

2. Check harness continuity between the following terminals and ground. Refer to Wiring Diagram.

DTC	Terminals		Bank
	ECM	Sensor	
P0138	74	1	1
P0158	55	1	2

**Continuity should not exist.**

< COMPONENT DIAGNOSIS >

3. Also check harness for short to power.

OK or NG

OK >> GO TO 4.

NG >> Repair open circuit or short to ground or short to power in harness or connectors.

**4.CHECK HO2S2 CONNECTOR FOR WATER**

Check connectors for water.

**Water should not exist.**

OK or NG

OK >> GO TO 5.

NG >> Repair or replace harness or connectors.

**5.CHECK HEATED OXYGEN SENSOR 2**

Refer to [EC-173, "Component Inspection"](#).

OK or NG

OK >> GO TO 6.

NG >> Replace malfunctioning heated oxygen sensor 2.

**6.CHECK INTERMITTENT INCIDENT**

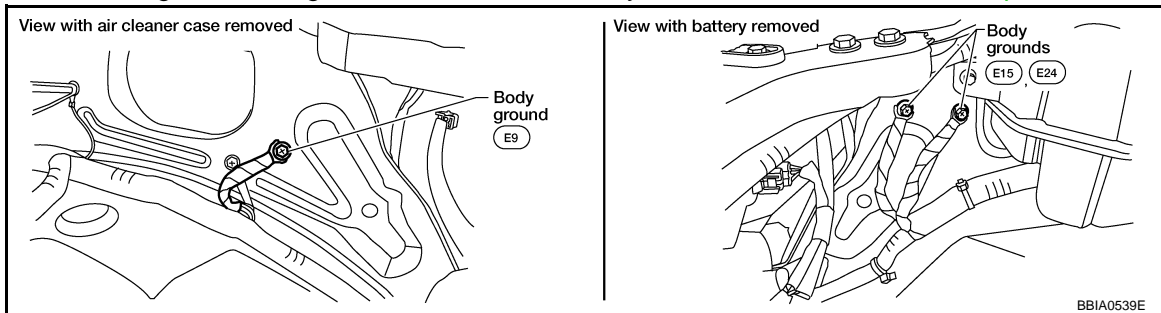
Refer to [GI-49, "Intermittent Incident"](#).

**>> INSPECTION END**

PROCEDURE FOR MALFUNCTION B

**1.CHECK GROUND CONNECTIONS**

1. Turn ignition switch OFF.
2. Loosen and retighten three ground screws on the body. Refer to [EC-95, "Ground Inspection"](#).



OK or NG

OK >> GO TO 2.

NG >> Repair or replace ground connections.

**2.CLEAR THE SELF-LEARNING DATA**

**☑ With CONSULT-III**

1. Start engine and warm it up to normal operating temperature.
2. Select "SELF-LEARNING CONT" in "WORK SUPPORT" mode with CONSULT-III.
3. Clear the self-learning control coefficient by touching "CLEAR".
4. Run engine for at least 10 minutes at idle speed.

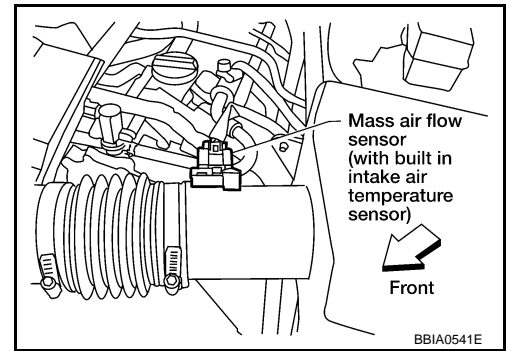
**Is the 1st trip DTC P0172 or P0175 detected?  
Is it difficult to start engine?**

**☒ Without CONSULT-III**

1. Start engine and warm it up to normal operating temperature.
2. Turn ignition switch OFF.

< COMPONENT DIAGNOSIS >

3. Disconnect mass air flow sensor harness connector, and restart and run engine for at least 5 seconds at idle speed.
4. Stop engine and reconnect mass air flow sensor harness connector.
5. Make sure DTC P0102 is displayed.
6. Erase the DTC memory. Refer to [EC-53, "Emission-related Diagnostic Information"](#).
7. Make sure DTC P0000 is displayed.
8. Run engine for at least 10 minutes at idle speed.  
**Is the 1st trip DTC P0172 or P0175 detected?**  
**Is it difficult to start engine?**

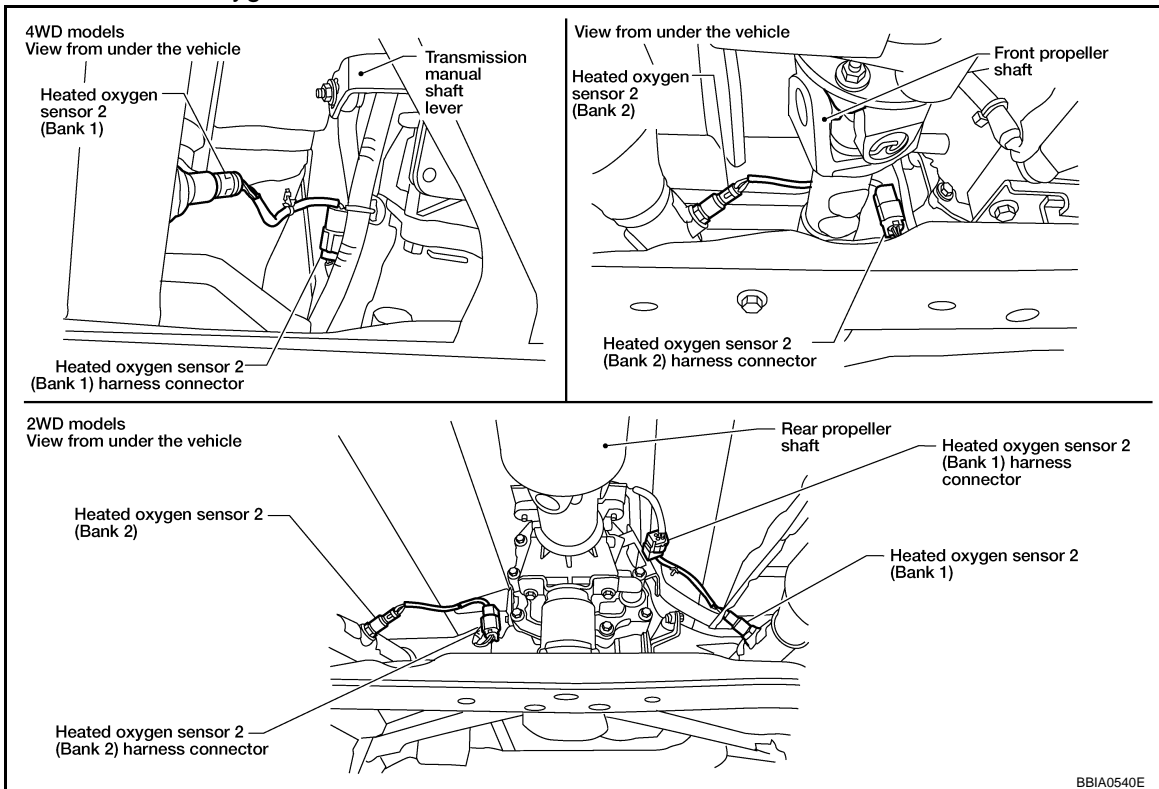


Yes or No

- Yes >> Perform trouble diagnosis for DTC P0172, P0175. Refer to [EC-187, "On Board Diagnosis Logic"](#).  
 No >> GO TO 3.

**3. CHECK HO2S2 GROUND CIRCUIT FOR OPEN AND SHORT**

1. Turn ignition switch OFF.
2. Disconnect heated oxygen sensor 2 harness connector.



3. Disconnect ECM harness connector.
4. Check harness continuity between HO2S2 terminal 4 and ECM terminal 78.  
 Refer to Wiring Diagram.

**Continuity should exist.**

5. Also check harness for short to ground and short to power.

OK or NG

- OK >> GO TO 4.  
 NG >> Repair open circuit or short to ground or short to power in harness or connectors.

**4. CHECK HO2S2 INPUT SIGNAL CIRCUIT FOR OPEN AND SHORT**

1. Check harness continuity between ECM terminal and HO2S2 terminal as follows.  
 Refer to Wiring Diagram.



DTC	Terminals		Bank
	ECM	Sensor	
P0138	74	1	1
P0158	55	1	2

**Continuity should exist.**

- Check harness continuity between the following terminals and ground. Refer to Wiring Diagram.

DTC	Terminals		Bank
	ECM	Sensor	
P0138	74	1	1
P0158	55	1	2

**Continuity should not exist.**

- Also check harness for short to power.

OK or NG

OK >> GO TO 5.

NG >> Repair open circuit or short to ground or short to power in harness or connectors.

### 5. CHECK HEATED OXYGEN SENSOR 2

Refer to [EC-173. "Component Inspection"](#).

OK or NG

OK >> GO TO 6.

NG >> Replace malfunctioning heated oxygen sensor 2.

### 6. CHECK INTERMITTENT INCIDENT

Refer to [GI-49. "Intermittent Incident"](#).

**>> INSPECTION END**

## Component Inspection

INFOID:000000004297364

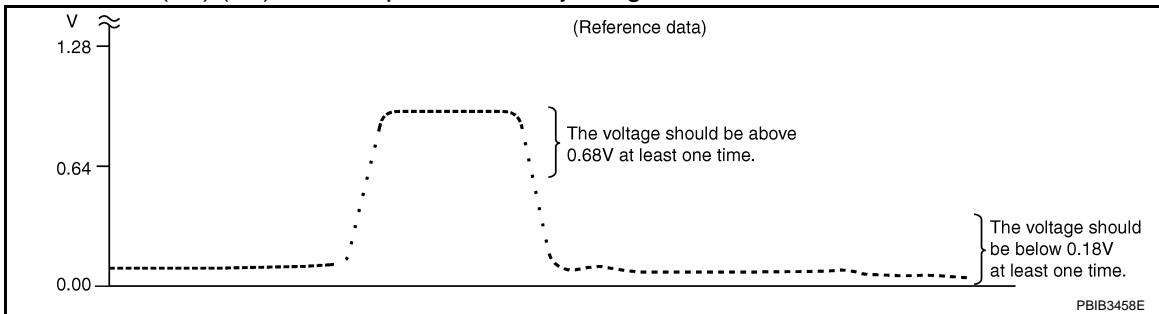
### HEATED OXYGEN SENSOR 2

Ⓟ With CONSULT-III

- Turn ignition switch ON and select "DATA MONITOR" mode with CONSULT-III.
- Start engine and warm it up to the normal operating temperature.
- Turn ignition switch OFF and wait at least 10 seconds.
- Start engine and keep the engine speed between 3,500 and 4,000 rpm for at least 1 minute under no load.
- Let engine idle for 1 minute.
- Select "FUEL INJECTION" in "ACTIVE TEST" mode, and select "HO2S2 (B1)/(B2)" as the monitor item with CONSULT-III.

< COMPONENT DIAGNOSIS >

7. Check "HO2S2 (B1)/(B2)" at idle speed when adjusting "FUEL INJECTION" to  $\pm 25\%$ .



"HO2S2 (B1)/(B2)" should be above 0.68V at least once when the "FUEL INJECTION" is +25%.

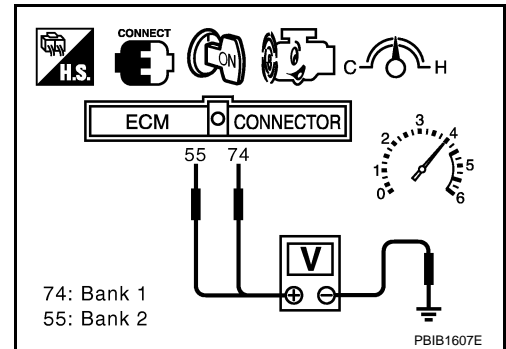
"HO2S2 (B1)/(B2)" should be below 0.18V at least once when the "FUEL INJECTION" is -25%.

**CAUTION:**

- Discard any heated oxygen sensor which has been dropped from a height of more than 0.5 m (19.7 in) onto a hard surface such as a concrete floor; use a new one.
- Before installing new oxygen sensor, clean exhaust system threads using Oxygen Sensor Thread Cleaner tool J-43897-18 or J-43897-12 and approved anti-seize lubricant.

⊗ Without CONSULT-III

1. Start engine and warm it up to the normal operating temperature.
2. Turn ignition switch OFF and wait at least 10 seconds.
3. Start engine and keep the engine speed between 3,500 and 4,000 rpm for at least 1 minute under no load.
4. Let engine idle for 1 minute.
5. Set voltmeter probes between ECM terminal 74 [HO2S2 (B1) signal] or 55 [HO2S2 (B2) signal] and ground.
6. Check the voltage when revving up to 4,000 rpm under no load at least 10 times.  
(Depress and release accelerator pedal as soon as possible.)  
**The voltage should be above 0.68V and below 0.18V at least once during this procedure.**  
**If the voltage can be confirmed at step 6, step 7 is not necessary.**
7. Keep vehicle at idling for 10 minutes, then check voltage. Or check the voltage when coasting from 80 km/h (50 MPH) in D position with "OD" OFF.  
**The voltage should be above 0.68V and below 0.18V at least once during this procedure.**
8. If NG, replace heated oxygen sensor 2.



**CAUTION:**

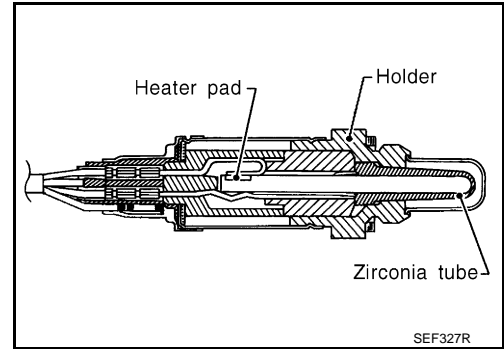
- Discard any heated oxygen sensor which has been dropped from a height of more than 0.5 m (19.7 in) onto a hard surface such as a concrete floor; use a new one.
- Before installing new oxygen sensor, clean exhaust system threads using Oxygen Sensor Thread Cleaner tool J-43897-18 or J-43897-12 and approved anti-seize lubricant.

P0139, P0159 HO2S2

Component Description

INFOID:000000004297365

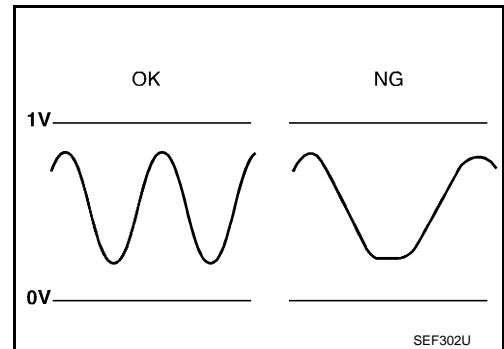
The heated oxygen sensor 2, after three way catalyst (manifold), monitors the oxygen level in the exhaust gas on each bank. Even if switching characteristics of the air fuel ratio (A/F) sensor 1 are shifted, the air-fuel ratio is controlled to stoichiometric, by the signal from the heated oxygen sensor 2. This sensor is made of ceramic zirconia. The zirconia generates voltage from approximately 1V in richer conditions to 0V in leaner conditions. Under normal conditions the heated oxygen sensor 2 is not used for engine control operation.



On Board Diagnosis Logic

INFOID:000000004297366

The heated oxygen sensor 2 has a much longer switching time between rich and lean than the air fuel ratio (A/F) sensor 1. The oxygen storage capacity before the three way catalyst (manifold) causes the longer switching time. To judge the malfunctions of heated oxygen sensor 2, ECM monitors whether the switching response of the sensor's voltage is faster than specified during various driving conditions such as fuel-cut.



DTC No.	Trouble diagnosis name	DTC detecting condition	Possible cause
P0139 0139 (Bank 1)	Heated oxygen sensor 2 circuit slow response	It takes more time for the sensor to respond between rich and lean than the specified time.	<ul style="list-style-type: none"> <li>• Harness or connectors (The sensor circuit is open or shorted)</li> <li>• Heated oxygen sensor 2</li> <li>• Fuel pressure</li> <li>• Fuel injector</li> <li>• Intake air leaks</li> </ul>
P0159 0159 (Bank 2)			

DTC Confirmation Procedure

INFOID:000000004297367

**NOTE:**

If DTC Confirmation Procedure has been previously conducted, always perform the following before conducting the next step.

1. Turn ignition switch OFF and wait at least 10 seconds.
2. Turn ignition switch ON.
3. Turn ignition switch OFF and wait at least 10 seconds.

Ⓜ WITH CONSULT-III

**TESTING CONDITION:**

**For better results, perform DTC WORK SUPPORT at a temperature of 0 to 30 °C (32 to 86 °F).**

1. Turn ignition switch ON and select "DATA MONITOR" mode with CONSULT-III.
2. Start engine and warm it up to the normal operating temperature.
3. Turn ignition switch OFF and wait at least 10 seconds.
4. Turn ignition switch ON.
5. Turn ignition switch OFF and wait at least 10 seconds.
6. Start engine and keep the engine speed between 3,500 and 4,000 rpm for at least 1 minute under no load.

< COMPONENT DIAGNOSIS >

7. Let engine idle for 1 minute.
8. Make sure that "COOLAN TEMP/S" indicates more than 70°C (158°F).  
If not, warm up engine and go to next step when "COOLAN TEMP/S" indication reaches to 70°C (158°F).
9. Select "HO2S2 (B1) P0139" or "HO2S2 (B2) P0159" of "HO2S2" in "DTC WORK SUPPORT" mode with CONSULT-III.
10. Start engine and follow the instruction of CONSULT-III display.  
**NOTE:**  
It will take at most 10 minutes until "COMPLETED" is displayed.
11. Make sure that "OK" is displayed after touching "SELF-DIAG RESULTS".  
If "NG" is displayed, refer to [EC-176. "Diagnosis Procedure"](#).  
If "CAN NOT BE DIAGNOSED" is displayed, perform the following.
  - a. Turn ignition switch OFF and leave the vehicle in a cool place (soak the vehicle).
  - b. Return to step 1.

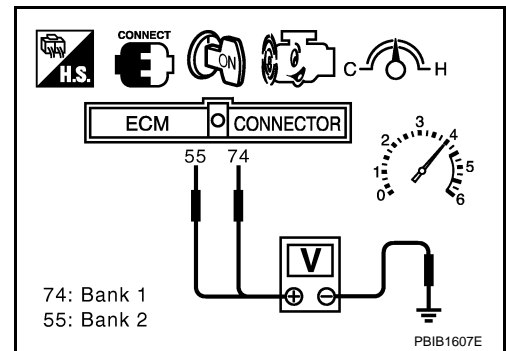
Overall Function Check

INFOID:000000004297368

Use this procedure to check the overall function of the heated oxygen sensor 2 circuit. During this check, a 1st trip DTC might not be confirmed.

 WITH GST

1. Start engine and warm it up to the normal operating temperature.
2. Turn ignition switch OFF and wait at least 10 seconds.
3. Turn ignition switch ON.
4. Turn ignition switch OFF and wait at least 10 seconds.
5. Start engine and keep the engine speed between 3,500 and 4,000 rpm for at least 1 minute under no load.
6. Let engine idle for 1 minute.
7. Set voltmeter probes between ECM terminal 74 [HO2S2 (B1) signal] or 55 [HO2S2 (B2) signal] and ground.
8. Check the voltage when revving up to 4,000 rpm under no load at least 10 times.  
(Depress and release accelerator pedal as soon as possible.)  
**A change of voltage should be more than 0.24V for 1 second during this procedure.**  
**If the voltage can be confirmed in step 6, step 7 is not necessary.**
9. Keep vehicle at idling for 10 minutes, then check the voltage. Or check the voltage when coasting from 80 km/h (50 MPH) in D position with "OD" OFF.  
**A change of voltage should be more than 0.24V for 1 second during this procedure.**
10. If NG, go to [EC-176. "Diagnosis Procedure"](#).

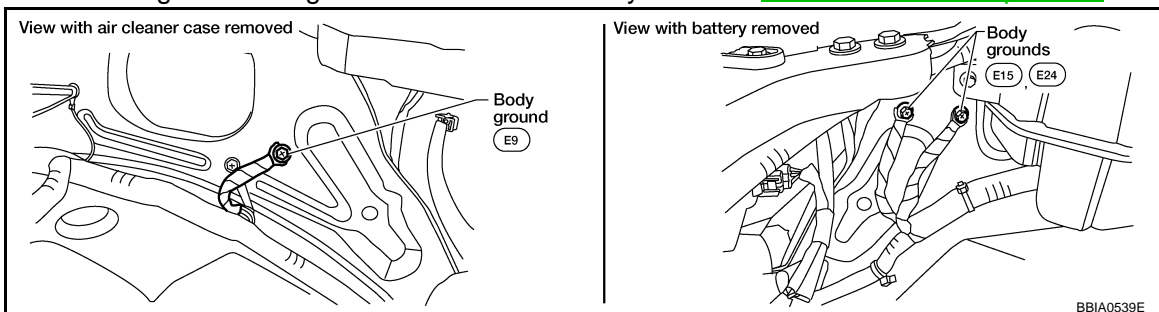


Diagnosis Procedure

INFOID:000000004297369

1. CHECK GROUND CONNECTIONS

1. Turn ignition switch OFF.
2. Loosen and retighten three ground screws on the body. Refer to [EC-95. "Ground Inspection"](#).



## &lt; COMPONENT DIAGNOSIS &gt;

OK or NG

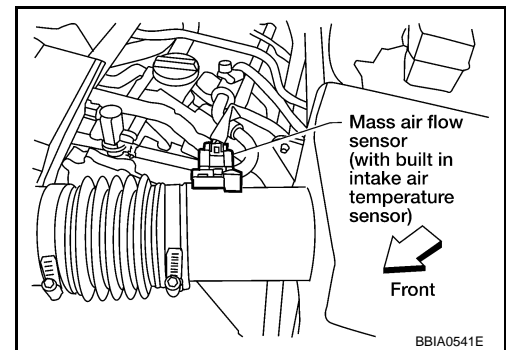
- OK >> GO TO 2.  
 NG >> Repair or replace ground connections.

**2. CLEAR THE SELF-LEARNING DATA****Ⓜ With CONSULT-III**

1. Start engine and warm it up to normal operating temperature.
2. Select "SELF-LEARNING CONT" in "WORK SUPPORT" mode with CONSULT-III.
3. Clear the self-learning control coefficient by touching "CLEAR".
4. Run engine for at least 10 minutes at idle speed.  
**Is the 1st trip DTC P0171, P0172, P0174 or P0175 detected?  
 Is it difficult to start engine?**

**ⓧ Without CONSULT-III**

1. Start engine and warm it up to normal operating temperature.
2. Turn ignition switch OFF.
3. Disconnect mass air flow sensor harness connector, and restart and run engine for at least 5 seconds at idle speed.
4. Stop engine and reconnect mass air flow sensor harness connector.
5. Make sure DTC P0102 is displayed.
6. Erase the DTC memory. Refer to [EC-53. "Emission-related Diagnostic Information"](#).
7. Make sure DTC P0000 is displayed.
8. Run engine for at least 10 minutes at idle speed.  
**Is the 1st trip DTC P0171, P0172, P0174 or P0175 detected?  
 Is it difficult to start engine?**

Yes or No

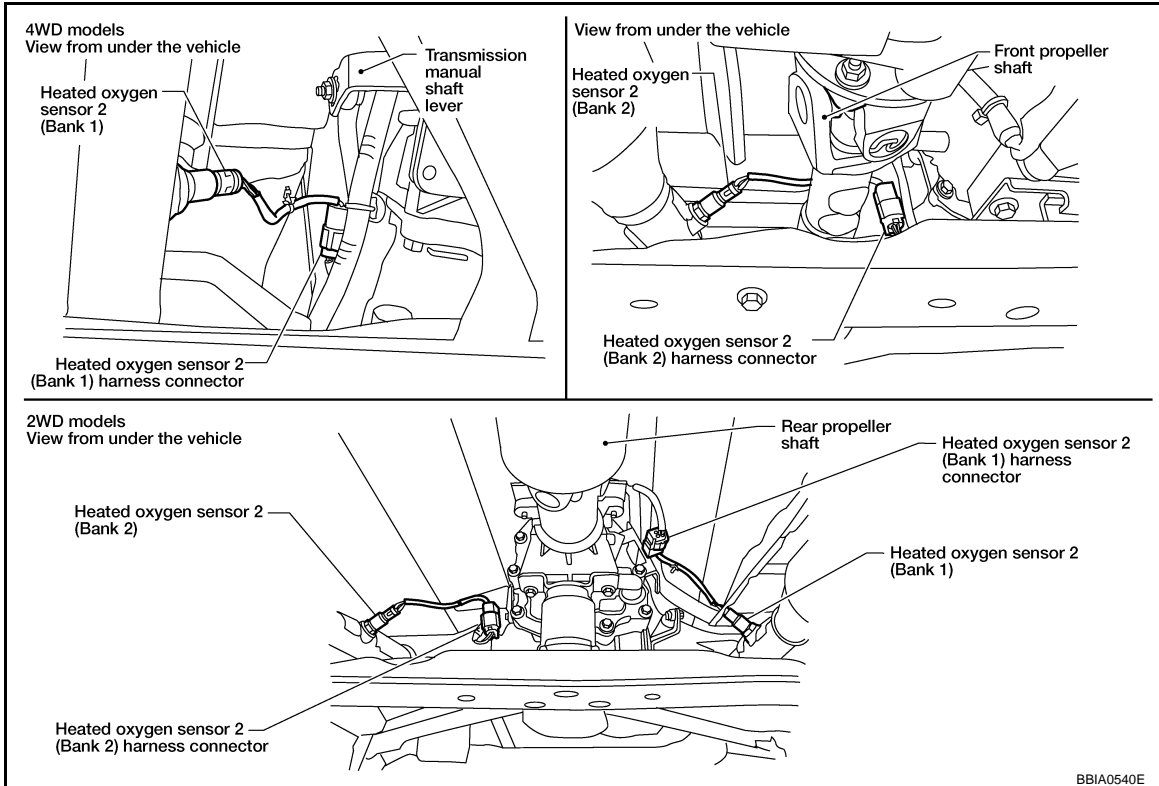
- Yes >> Perform trouble diagnosis for DTC P0171, P0174 or P0172, P0175. Refer to [EC-181. "On Board Diagnosis Logic"](#) or [EC-187. "On Board Diagnosis Logic"](#).  
 No >> GO TO 3.

**3. CHECK HO2S2 GROUND CIRCUIT FOR OPEN AND SHORT**

1. Turn ignition switch OFF.

< COMPONENT DIAGNOSIS >

2. Disconnect heated oxygen sensor 2 harness connector.



3. Disconnect ECM harness connector.
4. Check harness continuity between HO2S2 terminal 4 and ECM terminal 78. Refer to Wiring Diagram.

**Continuity should exist.**

5. Also check harness for short to ground and short to power.

**OK or NG**

OK >> GO TO 4.

NG >> Repair open circuit or short to ground or short to power in harness or connectors.

**4. CHECK HO2S2 INPUT SIGNAL CIRCUIT FOR OPEN AND SHORT**

1. Check harness continuity between ECM terminal and HO2S2 terminal as follows. Refer to Wiring Diagram.

DTC	Terminals		Bank
	ECM	Sensor	
P0139	74	1	1
P0159	55	1	2

**Continuity should exist.**

2. Check harness continuity between the following terminals and ground. Refer to Wiring Diagram.

DTC	Terminals		Bank
	ECM	Sensor	
P0139	74	1	1
P0159	55	1	2

**Continuity should not exist.**

< COMPONENT DIAGNOSIS >

3. Also check harness for short to power.

OK or NG

OK >> GO TO 5.

NG >> Repair open circuit or short to ground or short to power in harness or connectors.

**5. CHECK HEATED OXYGEN SENSOR 2**

Refer to [EC-179, "Component Inspection"](#).

OK or NG

OK >> GO TO 6.

NG >> Replace malfunctioning heated oxygen sensor 2.

**6. CHECK INTERMITTENT INCIDENT**

Refer to [GI-45, "Work Flow"](#).

>> **INSPECTION END**

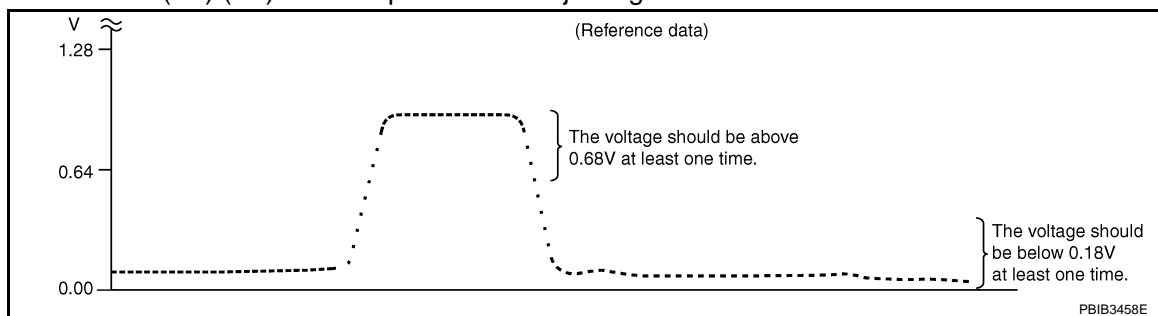
Component Inspection

INFOID:000000004297370

HEATED OXYGEN SENSOR 2

 With CONSULT-III

1. Turn ignition switch ON and select "DATA MONITOR" mode with CONSULT-III.
2. Start engine and warm it up to the normal operating temperature.
3. Turn ignition switch OFF and wait at least 10 seconds.
4. Start engine and keep the engine speed between 3,500 and 4,000 rpm for at least 1 minute under no load.
5. Let engine idle for 1 minute.
6. Select "FUEL INJECTION" in "ACTIVE TEST" mode, and select "HO2S2 (B1)/(B2)" as the monitor item with CONSULT-III.
7. Check "HO2S2 (B1)/(B2)" at idle speed when adjusting "FUEL INJECTION" to  $\pm 25\%$ .



"HO2S2 (B1)/(B2)" should be above 0.68V at least once when the "FUEL INJECTION" is +25%.

"HO2S2 (B1)/(B2)" should be below 0.18V at least once when the "FUEL INJECTION" is -25%.

**CAUTION:**

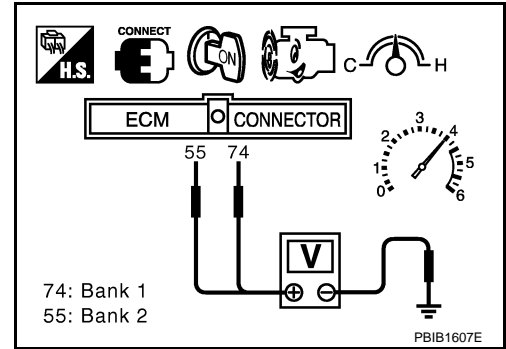
- Discard any heated oxygen sensor which has been dropped from a height of more than 0.5 m (19.7 in) onto a hard surface such as a concrete floor; use a new one.
- Before installing new oxygen sensor, clean exhaust system threads using Oxygen Sensor Thread Cleaner tool J-43897-18 or J-43897-12 and approved anti-seize lubricant.

 Without CONSULT-III

1. Start engine and warm it up to the normal operating temperature.
2. Turn ignition switch OFF and wait at least 10 seconds.
3. Start engine and keep the engine speed between 3,500 and 4,000 rpm for at least 1 minute under no load.
4. Let engine idle for 1 minute.
5. Set voltmeter probes between ECM terminal 74 [HO2S2 (B1) signal] or 55 [HO2S2 (B2) signal] and ground.

< COMPONENT DIAGNOSIS >

6. Check the voltage when revving up to 4,000 rpm under no load at least 10 times.  
(Depress and release accelerator pedal as soon as possible.)  
**The voltage should be above 0.68V and below 0.18V at least once during this procedure.**  
**If the voltage can be confirmed at step 6, step 7 is not necessary.**
7. Keep vehicle at idling for 10 minutes, then check voltage. Or check the voltage when coasting from 80 km/h (50 MPH) in D position with "OD" OFF.  
**The voltage should be above 0.68V and below 0.18V at least once during this procedure.**
8. If NG, replace heated oxygen sensor 2.



**CAUTION:**

- Discard any heated oxygen sensor which has been dropped from a height of more than 0.5 m (19.7 in) onto a hard surface such as a concrete floor; use a new one.
- Before installing new oxygen sensor, clean exhaust system threads using Oxygen Sensor Thread Cleaner tool J-43897-18 or J-43897-12 and approved anti-seize lubricant.



# P0171, P0174 FUEL INJECTION SYSTEM FUNCTION

< COMPONENT DIAGNOSIS >

[VQ40DE]

## P0171, P0174 FUEL INJECTION SYSTEM FUNCTION

### On Board Diagnosis Logic

INFOID:000000004297371

With the Air-Fuel Mixture Ratio Self-Learning Control, the actual mixture ratio can be brought closely to the theoretical mixture ratio based on the mixture ratio feedback signal from the air fuel ratio (A/F) sensor 1. The ECM calculates the necessary compensation to correct the offset between the actual and the theoretical ratios.

In case the amount of the compensation value is extremely large (the actual mixture ratio is too lean), the ECM judges the condition as the fuel injection system malfunction and illuminates the MIL (2 trip detection logic).

Sensor	Input signal to ECM	ECM function	Actuator
A/F sensor 1	Density of oxygen in exhaust gas (Mixture ratio feedback signal)	Fuel injection control	Fuel injector

DTC No.	Trouble diagnosis name	DTC detecting condition	Possible cause
P0171 0171 (Bank 1)	Fuel injection system too lean	<ul style="list-style-type: none"> <li>Fuel injection system does not operate properly.</li> <li>The amount of mixture ratio compensation is too large. (The mixture ratio is too lean.)</li> </ul>	<ul style="list-style-type: none"> <li>Intake air leaks</li> <li>Air fuel ratio (A/F) sensor 1</li> <li>Fuel injector</li> <li>Exhaust gas leaks</li> <li>Incorrect fuel pressure</li> <li>Lack of fuel</li> <li>Mass air flow sensor</li> <li>Incorrect PCV hose connection</li> </ul>
P0174 0174 (Bank 2)			

### DTC Confirmation Procedure

INFOID:000000004297372

#### NOTE:

If DTC Confirmation Procedure has been previously conducted, always perform the following before conducting the next step.

1. Turn ignition switch OFF and wait at least 10 seconds.
2. Turn ignition switch ON.
3. Turn ignition switch OFF and wait at least 10 seconds.

#### Ⓟ WITH CONSULT-III

1. Start engine and warm it up to normal operating temperature.
2. Turn ignition switch OFF and wait at least 10 seconds.
3. Turn ignition switch ON.
4. Turn ignition switch OFF and wait at least 10 seconds.
5. Turn ignition switch ON and select "SELF-LEARNING CONT" in "WORK SUPPORT" mode with CONSULT-III.
6. Clear the self-learning control coefficient by touching "CLEAR".
7. Start engine again and let it idle for at least 5 minutes.
8. Check 1st trip DTC.

The 1st trip DTC P0171 or P0174 should be detected at this stage, if a malfunction exists. If so, go to [EC-182, "Diagnosis Procedure"](#)

#### NOTE:

If 1st trip DTC is not detected during above procedure, performing the following procedure is advised.

- a. Turn ignition switch OFF and wait at least 10 seconds.
- b. Start engine.
- c. Maintain the following conditions for at least 10 consecutive minutes. Hold the accelerator pedal as steady as possible.

VHCL SPEED SE	50 - 120 km/h (31 - 75 mph)
---------------	-----------------------------

# P0171, P0174 FUEL INJECTION SYSTEM FUNCTION

< COMPONENT DIAGNOSIS >

[VQ40DE]

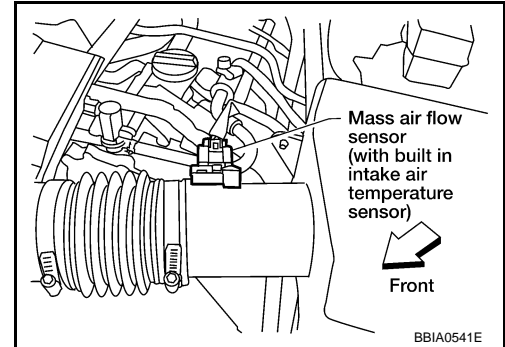
## CAUTION:

**Always drive vehicle at a safe speed.**

9. If it is difficult to start engine at step 6, the fuel injection system has a malfunction, too.
10. Crank engine while depressing accelerator pedal. If engine starts, go to [EC-182. "Diagnosis Procedure"](#). If engine does not start, check exhaust and intake air leak visually.

## WITH GST

1. Start engine and warm it up to normal operating temperature.
2. Turn ignition switch OFF and wait at least 10 seconds.
3. Turn ignition switch ON.
4. Turn ignition switch OFF and wait at least 10 seconds.
5. Disconnect mass air flow sensor harness connector.
6. Restart engine and let it idle for at least 5 seconds.
7. Stop engine and reconnect mass air flow sensor harness connector.
8. Select Service \$03 with GST. Make sure DTC P0102 is detected.
9. Select Service \$04 with GST and erase the DTC P0102.
10. Start engine again and let it idle for at least 5 minutes.
11. Select Service \$07 with GST. The 1st trip DTC P0171 or P0174 should be detected at this stage, if a malfunction exists. If so, go to [EC-182. "Diagnosis Procedure"](#).



## NOTE:

If 1st trip DTC is not detected during above procedure, performing the following procedure is advised.

- a. Turn ignition switch OFF and wait at least 10 seconds.
- b. Start engine.
- c. Maintain the following conditions for at least 10 consecutive minutes. Hold the accelerator pedal as steady as possible.

VHCL SPEED SE	50 - 120 km/h (31 - 75 mph)
---------------	-----------------------------

## CAUTION:

**Always drive vehicle at a safe speed.**

12. If it is difficult to start engine at step 8, the fuel injection system has a malfunction.
13. Crank engine while depressing accelerator pedal. If engine starts, go to [EC-182. "Diagnosis Procedure"](#). If engine does not start, check exhaust and intake air leak visually.

## NOTE:

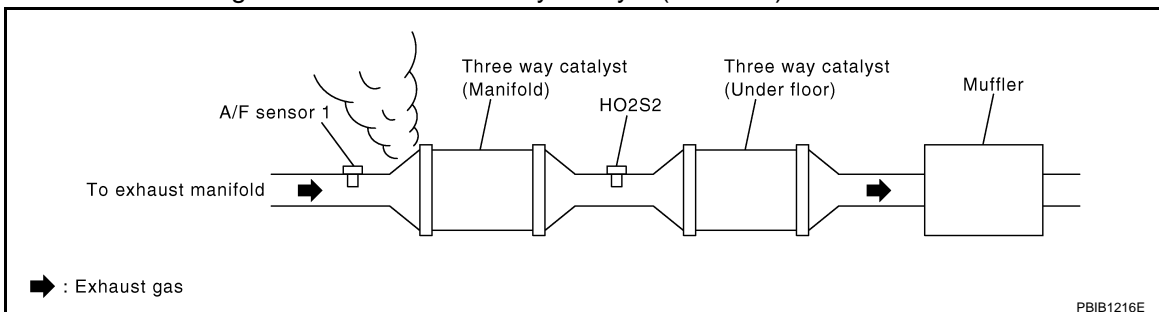
When depressing accelerator pedal three-fourths (3/4) or more, the control system does not start the engine. Do not depress accelerator pedal too much.

## Diagnosis Procedure

INFOID:000000004351988

### 1. CHECK EXHAUST GAS LEAK

1. Start engine and run it at idle.
2. Listen for an exhaust gas leak before three way catalyst (manifold).



OK or NG

# P0171, P0174 FUEL INJECTION SYSTEM FUNCTION

[VQ40DE]

## < COMPONENT DIAGNOSIS >

- OK >> GO TO 2.
- NG >> Repair or replace.

### 2.CHECK FOR INTAKE AIR LEAK

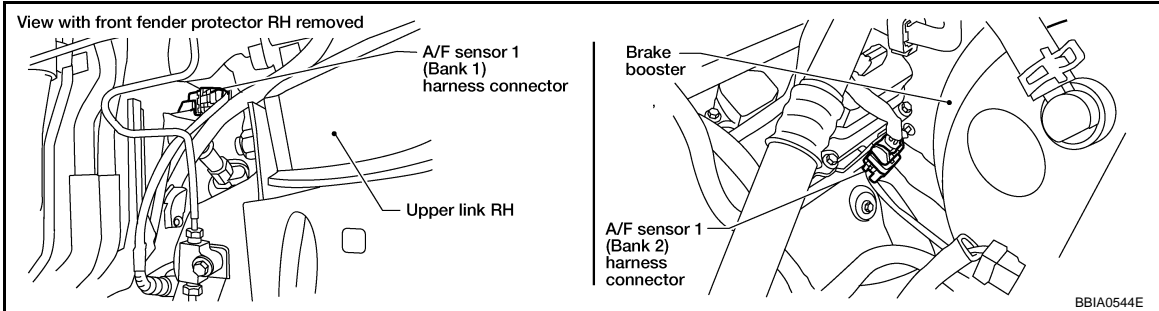
1. Listen for an intake air leak after the mass air flow sensor.
2. Check PCV hose connection.

#### OK or NG

- OK >> GO TO 3.
- NG >> Repair or replace.

### 3.CHECK A/F SENSOR 1 INPUT SIGNAL CIRCUIT

1. Turn ignition switch OFF.
2. Disconnect corresponding A/F sensor 1 harness connector.



3. Disconnect ECM harness connector.
4. Check harness continuity between A/F sensor 1 terminal and ECM terminal as follows. Refer to Wiring Diagram.

	A/F sensor 1 terminal	ECM terminal
Bank 1	1	16
	2	75
Bank 2	1	35
	2	56

**Continuity should exist.**

5. Check harness continuity between the following terminals and ground. Refer to Wiring Diagram.

Bank 1		Bank 2	
A/F sensor 1 terminal	ECM terminal	A/F sensor 1 terminal	ECM terminal
1	16	1	35
2	75	2	56

**Continuity should not exist.**

6. Also check harness for short to power.

#### OK or NG

- OK >> GO TO 4.
- NG >> Repair open circuit or short to ground or short to power in harness or connectors.

### 4.CHECK FUEL PRESSURE

1. Release fuel pressure to zero. Refer to [EC-484, "Fuel Pressure Check"](#).
2. Install fuel pressure gauge and check fuel pressure. Refer to [EC-484, "Fuel Pressure Check"](#).

**At idling: 350 kPa (3.57 kg/cm<sup>2</sup>, 51 psi)**

#### OK or NG

# P0171, P0174 FUEL INJECTION SYSTEM FUNCTION

[VQ40DE]

## < COMPONENT DIAGNOSIS >

- OK (With CONSULT-III)>>GO TO 6.
- OK (Without CONSULT-III)>>GO TO 7.
- NG >> GO TO 5.

### 5. DETECT MALFUNCTIONING PART

Check the following.

- Fuel pump and circuit (Refer to [EC-398, "Diagnosis Procedure"](#).)
- Fuel pressure regulator (Refer to [EC-484, "Fuel Pressure Check"](#).)
- Fuel lines
- Fuel filter for clogging

>> Repair or replace.

### 6. CHECK MASS AIR FLOW SENSOR

#### With CONSULT-III

1. Install all removed parts.
2. Check "MASS AIR FLOW" in "DATA MONITOR" mode with CONSULT-III.

**2.0 - 6.0 g-m/sec: at idling**  
**7.0 - 20.0 g-m/sec: at 2,500 rpm**

#### OK or NG

- OK >> GO TO 8.
- NG >> Check connectors for rusted terminals or loose connections in the mass air flow sensor circuit or ground. Refer to [EC-117, "Component Description"](#).

### 7. CHECK MASS AIR FLOW SENSOR

#### With GST

1. Install all removed parts.
2. Check mass air flow sensor signal in Service \$01 with GST.

**2.0 - 6.0 g-m/sec: at idling**  
**7.0 - 20.0 g-m/sec: at 2,500 rpm**

#### OK or NG

- OK (P0171)>>GO TO 9.
- OK (P0174)>>GO TO 11.
- NG >> Check connectors for rusted terminals or loose connections in the mass air flow sensor circuit or ground. Refer to [EC-117, "Component Description"](#).

### 8. CHECK FUNCTION OF FUEL INJECTOR

#### With CONSULT-III

1. Start engine.
2. Perform "POWER BALANCE" in "ACTIVE TEST" mode with CONSULT-III.
3. Make sure that each circuit produces a momentary engine speed drop.

#### OK or NG

- OK >> GO TO 12.
- NG >> Perform trouble diagnosis for FUEL INJECTOR, refer to [EC-394, "Component Description"](#).

### 9. CHECK FUNCTION OF FUEL INJECTOR-I

#### Without CONSULT-III

1. Stop engine.

# P0171, P0174 FUEL INJECTION SYSTEM FUNCTION

[VQ40DE]

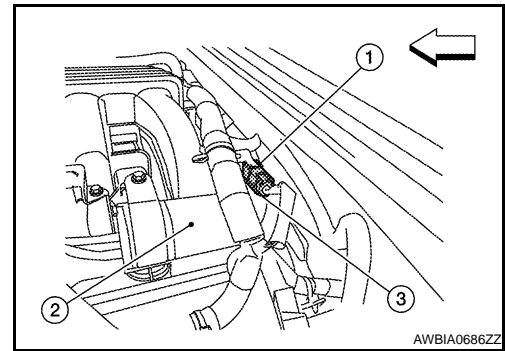
## < COMPONENT DIAGNOSIS >

2. Disconnect harness connector F44 (3), F201 (1)

2 : Vacuum tank

↔ : Front

3. Turn ignition switch ON.



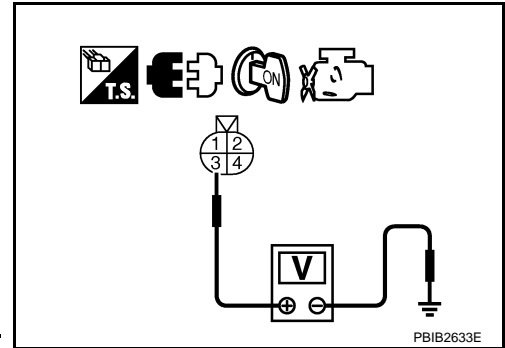
4. Check voltage between harness connector F44 terminal 3 and ground with CONSULT-III or tester.

**Voltage: Battery voltage**

5. Turn ignition switch OFF.

6. Disconnect ECM harness connector.

7. Check harness continuity between harness connector F44 and ECM as follows.  
Refer to Wiring Diagram.



Cylinder	Harness connector F44 terminal	ECM terminal
1	2	23
3	1	22
5	4	21

**Continuity should exist.**

8. Also check harness for short to ground and short to power.

OK or NG

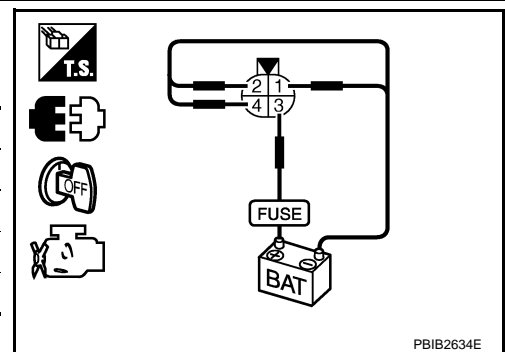
OK >> GO TO 10.

NG >> Perform trouble diagnosis for FUEL INJECTOR, refer to [EC-394. "Component Description"](#).

## 10. CHECK FUNCTION OF FUEL INJECTOR-II

Provide battery voltage between harness connector F201 as follows and then interrupt it. Listen to each fuel injector operating sound.

Cylinder	Harness connector F201 terminal	
	(+)	(-)
1	3	2
3	3	1
5	3	4



**Operating sound should exist.**

OK or NG

OK >> GO TO 12.

NG >> Perform trouble diagnosis for FUEL INJECTOR, refer to [EC-394. "Component Description"](#).

## 11. CHECK FUNCTION OF FUEL INJECTOR

# P0171, P0174 FUEL INJECTION SYSTEM FUNCTION

[VQ40DE]

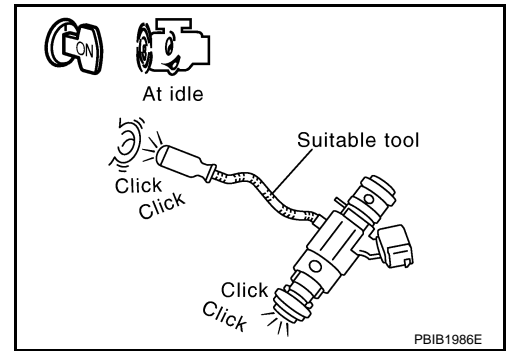
## < COMPONENT DIAGNOSIS >

1. Start engine.
2. Listen to fuel injectors No.2, No.4, No.6 operating sound.

**Clicking noise should exist.**

### OK or NG

- OK >> GO TO 12.  
NG >> Perform trouble diagnosis for FUEL INJECTOR, refer to [EC-394, "Component Description"](#).



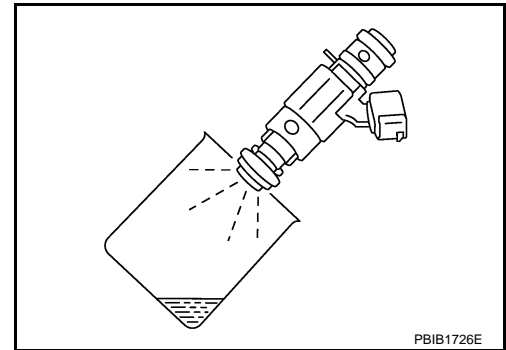
## 12.CHECK FUEL INJECTOR

1. Confirm that the engine is cooled down and there are no fire hazards near the vehicle.
2. Turn ignition switch OFF.
3. Disconnect all injector harness connectors.
4. Remove fuel tube assembly. Refer to [EM-45, "Removal and Installation"](#).  
Keep fuel hose and all fuel injectors connected to fuel tube.
5. For DTC P0171, reconnect fuel injector harness connectors on bank 1.  
For DTC P0174, reconnect fuel injector harness connectors on bank 2.
6. Disconnect all ignition coil harness connectors.
7. Prepare pans or saucers under each fuel injector.
8. Crank engine for about 3 seconds.  
For DTC P0171, make sure that fuel sprays out from fuel injectors on bank 1.  
For DTC P0174, make sure that fuel sprays out from fuel injectors on bank 2.

**Fuel should be sprayed evenly for each fuel injector.**

### OK or NG

- OK >> GO TO 13.  
NG >> Replace fuel injectors from which fuel does not spray out. Always replace O-ring with new ones.



## 13.CHECK INTERMITTENT INCIDENT

Refer to [GI-49, "Intermittent Incident"](#).

>> **INSPECTION END**

# P0172, P0175 FUEL INJECTION SYSTEM FUNCTION

< COMPONENT DIAGNOSIS >

[VQ40DE]

## P0172, P0175 FUEL INJECTION SYSTEM FUNCTION

### On Board Diagnosis Logic

INFOID:000000004297374

With the Air-Fuel Mixture Ratio Self-Learning Control, the actual mixture ratio can be brought closely to the theoretical mixture ratio based on the mixture ratio feedback signal from air fuel ratio (A/F) sensor 1. The ECM calculates the necessary compensation to correct the offset between the actual and the theoretical ratios. In case the amount of the compensation value is extremely large (the actual mixture ratio is too rich), the ECM judges the condition as the fuel injection system malfunction and illuminates the MIL (2 trip detection logic).

Sensor	Input signal to ECM	ECM function	Actuator
A/F sensor 1	Density of oxygen in exhaust gas (Mixture ratio feedback signal)	Fuel injection control	Fuel injector

DTC No.	Trouble diagnosis name	DTC detecting condition	Possible cause
P0172 0172 (Bank 1)	Fuel injection system too rich	<ul style="list-style-type: none"> <li>Fuel injection system does not operate properly.</li> <li>The amount of mixture ratio compensation is too large. (The mixture ratio is too rich.)</li> </ul>	<ul style="list-style-type: none"> <li>Air fuel ratio (A/F) sensor 1</li> <li>Fuel injector</li> <li>Exhaust gas leaks</li> <li>Incorrect fuel pressure</li> <li>Mass air flow sensor</li> </ul>
P0175 0175 (Bank 2)			

### DTC Confirmation Procedure

INFOID:000000004297375

#### NOTE:

If DTC Confirmation Procedure has been previously conducted, always perform the following before conducting the next step.

1. Turn ignition switch OFF and wait at least 10 seconds.
2. Turn ignition switch ON.
3. Turn ignition switch OFF and wait at least 10 seconds.

#### WITH CONSULT-III

1. Start engine and warm it up to normal operating temperature.
2. Turn ignition switch OFF and wait at least 10 seconds.
3. Turn ignition switch ON.
4. Turn ignition switch OFF and wait at least 10 seconds.
5. Turn ignition switch ON and select "SELF-LEARNING CONT" in "WORK SUPPORT" mode with CONSULT-III.
6. Clear the self-learning control coefficient by touching "CLEAR".
7. Start engine again and let it idle for at least 10 minutes.
8. Check 1st trip DTC.  
The 1st trip DTC P0172, P0175 should be detected at this stage, if a malfunction exists. If so, go to [EC-188, "Diagnosis Procedure"](#).

#### NOTE:

If 1st trip DTC is not detected during above procedure, performing the following procedure is advised.

- a. Turn ignition switch OFF and wait at least 5 seconds.
- b. Start engine.
- c. Maintain the following conditions for least 10 consecutive minutes. Hold the accelerator pedal as steady as possible.

VHCL SPEED SE	50 -120 km/h (31 - 75 mph)
---------------	----------------------------

#### CAUTION:

**Always drive vehicle at a safe speed.**

9. If it is difficult to start engine at step 6, the fuel injection system has a malfunction, too.

# P0172, P0175 FUEL INJECTION SYSTEM FUNCTION

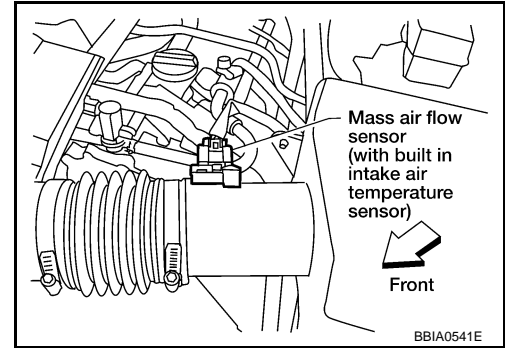
[VQ40DE]

## < COMPONENT DIAGNOSIS >

10. Crank engine while depressing accelerator pedal.  
If engine starts, go to [EC-188, "Diagnosis Procedure"](#). If engine does not start, remove ignition plugs and check for fouling, etc.

### Ⓢ WITH GST

1. Start engine and warm it up to normal operating temperature.
2. Turn ignition switch OFF and wait at least 10 seconds.
3. Turn ignition switch ON.
4. Turn ignition switch OFF and wait at least 10 seconds.
5. Disconnect mass air flow sensor harness connector. Then restart and run engine for at least 5 seconds at idle speed.
6. Stop engine and reconnect mass air flow sensor harness connector.
7. Select Service \$03 with GST. Make sure DTC P0102 is detected.
8. Select Service \$04 with GST and erase the DTC P0102.
9. Start engine again and let it idle for at least 5 minutes.
10. Select Service \$07 with GST. The 1st trip DTC P0172 or P0175 should be detected at this stage, if a malfunction exists. If so, go to [EC-188, "Diagnosis Procedure"](#).



#### NOTE:

If 1st trip DTC is not detected during above procedure, performing the following procedure is advised.

- a. Turn ignition switch OFF and wait at least 10 seconds.
- b. Start engine.
- c. Maintain the following conditions for least 10 consecutive minutes. Hold the accelerator pedal as steady as possible.

VHCL SPEED SE	50 -120 km/h (31 - 75 mph)
---------------	----------------------------

#### CAUTION:

**Always drive vehicle at a safe speed.**

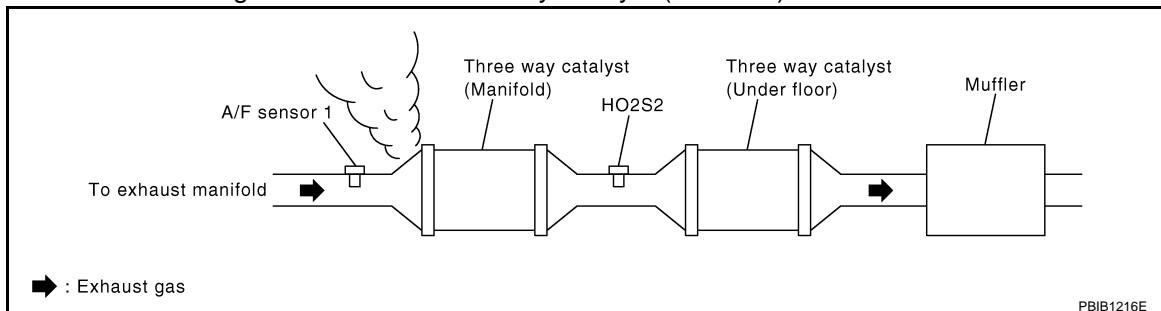
11. If it is difficult to start engine at step 7, the fuel injection system has a malfunction.
12. Crank engine while depressing accelerator pedal.  
If engine starts, go to [EC-188, "Diagnosis Procedure"](#). If engine does not start, remove ignition plugs and check for fouling, etc.

## Diagnosis Procedure

INFOID:000000004352049

### 1. CHECK EXHAUST GAS LEAK

1. Start engine and run it at idle.
2. Listen for an exhaust gas leak before three way catalyst (manifold).



#### OK or NG

- OK >> GO TO 2.  
NG >> Repair or replace.

### 2. CHECK FOR INTAKE AIR LEAK

Listen for an intake air leak after the mass air flow sensor.



# P0172, P0175 FUEL INJECTION SYSTEM FUNCTION

[VQ40DE]

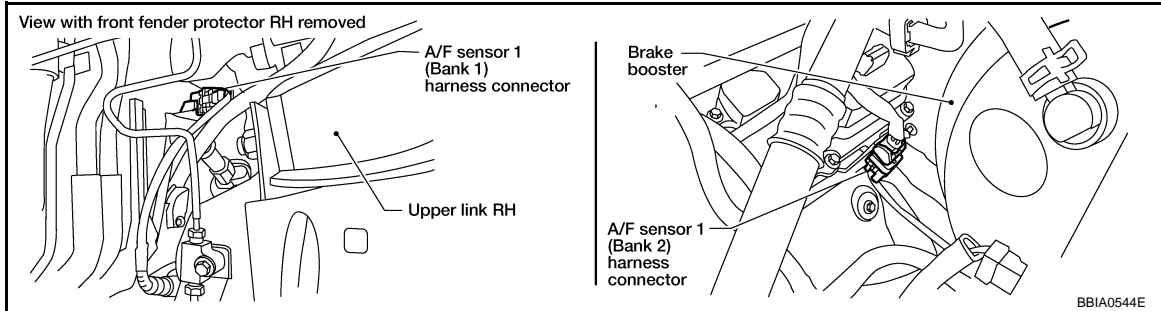
## < COMPONENT DIAGNOSIS >

### OK or NG

- OK >> GO TO 3.
- NG >> Repair or replace.

### 3.CHECK A/F SENSOR 1 INPUT SIGNAL CIRCUIT

1. Turn ignition switch OFF.
2. Disconnect corresponding A/F sensor 1 harness connector.



3. Disconnect ECM harness connector.
4. Check harness continuity between A/F sensor 1 terminal and ECM terminal as follows. Refer to Wiring Diagram.

	A/F sensor 1 terminal	ECM terminal
Bank 1	1	16
	2	75
Bank 2	1	35
	2	56

**Continuity should exist.**

5. Check harness continuity between the following terminals and ground. Refer to Wiring Diagram.

Bank 1		Bank 2	
A/F sensor 1 terminal	ECM terminal	A/F sensor 1 terminal	ECM terminal
1	16	1	35
2	75	2	56

**Continuity should not exist.**

6. Also check harness for short to power.

### OK or NG

- OK >> GO TO 4.
- NG >> Repair open circuit or short to ground or short to power in harness or connectors.

### 4.CHECK FUEL PRESSURE

1. Release fuel pressure to zero. Refer to [EC-484, "Fuel Pressure Check"](#).
2. Install fuel pressure gauge and check fuel pressure. Refer to [EC-484, "Fuel Pressure Check"](#).

**At idling: 350 kPa (3.57 kg/cm<sup>2</sup>, 51 psi)**

### OK or NG

- OK (With CONSULT-III)>>GO TO 6.
- OK (Without CONSULT-III)>>GO TO 7.
- NG >> GO TO 5.

### 5.DETECT MALFUNCTIONING PART

Check the following.

# P0172, P0175 FUEL INJECTION SYSTEM FUNCTION

[VQ40DE]

## < COMPONENT DIAGNOSIS >

- Fuel pump and circuit (Refer to, [EC-398, "Diagnosis Procedure"](#).)
- Fuel pressure regulator (Refer to [EC-484, "Fuel Pressure Check"](#).)

>> Repair or replace.

### 6. CHECK MASS AIR FLOW SENSOR

#### With CONSULT-III

1. Install all removed parts.
2. Check "MASS AIR FLOW" in "DATA MONITOR" mode with CONSULT-III.

**2.0 - 6.0 g-m/sec: at idling**

**7.0 - 20.0 g-m/sec: at 2,500 rpm**

#### OK or NG

OK >> GO TO 8.

NG >> Check connectors for rusted terminals or loose connections in the mass air flow sensor circuit or ground. Refer to [EC-111, "Component Description"](#).

### 7. CHECK MASS AIR FLOW SENSOR

#### With GST

1. Install all removed parts.
2. Check mass air flow sensor signal in Service \$01 with GST.

**2.0 - 6.0 g-m/sec: at idling**

**7.0 - 20.0 g-m/sec: at 2,500 rpm**

#### OK or NG

OK (P0172)>>GO TO 9.

OK (P0175)>>GO TO 11.

NG >> Check connectors for rusted terminals or loose connections in the mass air flow sensor circuit or ground. Refer to [EC-111, "Component Description"](#).

### 8. CHECK FUNCTION OF FUEL INJECTOR

#### With CONSULT-III

1. Start engine.
2. Perform "POWER BALANCE" in "ACTIVE TEST" mode with CONSULT-III.
3. Make sure that each circuit produces a momentary engine speed drop.

#### OK or NG

OK >> GO TO 12.

NG >> Perform trouble diagnosis for FUEL INJECTOR, refer to [EC-394, "Component Description"](#).

### 9. CHECK FUNCTION OF FUEL INJECTOR-I

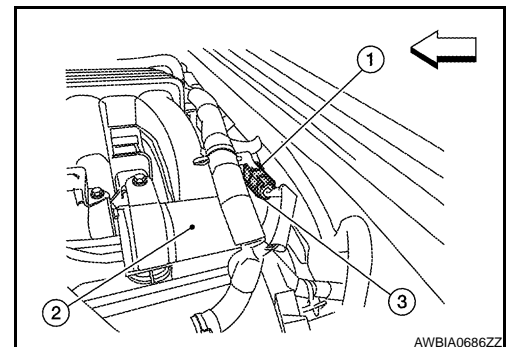
#### Without CONSULT-III

1. Stop engine.
2. Disconnect harness connector F44 (3), F201 (1)

2 : Vacuum tank

↔ : Front

3. Turn ignition switch ON.



# P0172, P0175 FUEL INJECTION SYSTEM FUNCTION

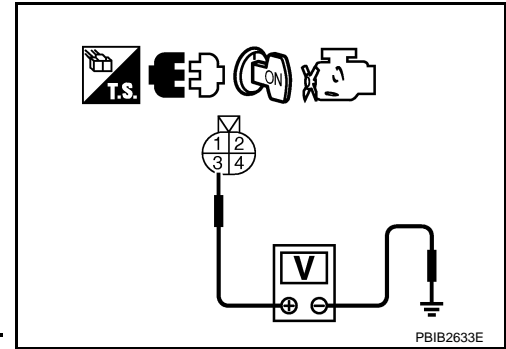
[VQ40DE]

## < COMPONENT DIAGNOSIS >

- Check voltage between harness connector F44 terminal 3 and ground with CONSULT-III or tester.

**Voltage: Battery voltage**

- Turn ignition switch OFF.
- Disconnect ECM harness connector.
- Check harness continuity between harness connector F44 and ECM as follows.  
Refer to Wiring Diagram.



Cylinder	Harness connector F44 terminal	ECM terminal
1	2	23
3	1	22
5	4	21

**Continuity should exist.**

- Also check harness for short to ground and short to power.

**OK or NG**

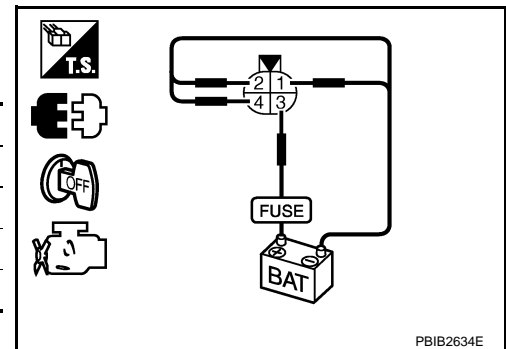
OK >> GO TO 10.

NG >> Perform trouble diagnosis for FUEL INJECTOR, refer to [EC-394, "Component Description"](#).

## 10. CHECK FUNCTION OF FUEL INJECTOR-II

Provide battery voltage between harness connector F201 as follows and then interrupt it. Listen to each fuel injector operating sound.

Cylinder	Harness connector F201 terminal	
	(+)	(-)
1	3	2
3	3	1
5	3	4



**Operating sound should exist.**

**OK or NG**

OK >> GO TO 12.

NG >> Perform trouble diagnosis for FUEL INJECTOR, refer to [EC-394, "Component Description"](#).

## 11. CHECK FUNCTION OF FUEL INJECTOR

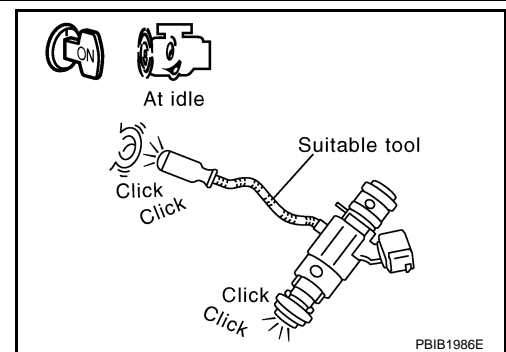
- Start engine.
- Listen to fuel injectors No.2, No.4, No.6 operating sound.

**Clicking noise should exist.**

**OK or NG**

OK >> GO TO 12.

NG >> Perform trouble diagnosis for FUEL INJECTOR, refer to [EC-394, "Component Description"](#).



## 12. CHECK FUEL INJECTOR

- Remove fuel injector assembly. Refer to [EM-45, "Removal and Installation"](#).  
Keep fuel hose and all fuel injectors connected to fuel tube.
- Confirm that the engine is cooled down and there are no fire hazards near the vehicle.

## P0172, P0175 FUEL INJECTION SYSTEM FUNCTION

[VQ40DE]

### < COMPONENT DIAGNOSIS >

---

3. Disconnect all fuel injector harness connectors.
4. Disconnect all ignition coil harness connectors.
5. Prepare pans or saucers under each fuel injector.
6. Crank engine for about 3 seconds.  
Make that sure fuel does not drip from fuel injector.

#### OK or NG

OK (Does not drip.)>>GO TO 13.

NG (Drips.)>>Replace the fuel injectors from which fuel is dripping. Always replace O-ring with new one.

### **13.**CHECK INTERMITTENT INCIDENT

---

Refer to [GI-49. "Intermittent Incident"](#).

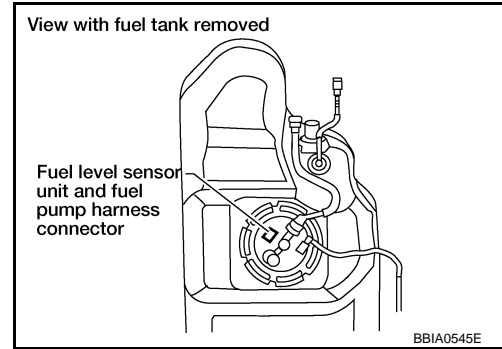
>> **INSPECTION END**

P0181 FTT SENSOR

Component Description

INFOID:000000004297377

The fuel tank temperature sensor is used to detect the fuel temperature inside the fuel tank. The sensor modifies a voltage signal from the ECM. The modified signal returns to the ECM as the fuel temperature input. The sensor uses a thermistor which is sensitive to the change in temperature. The electrical resistance of the thermistor decreases as temperature increases.



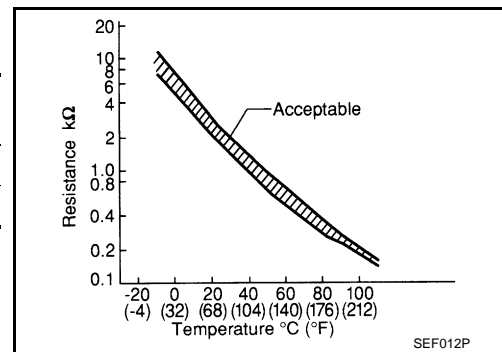
<Reference data>

Fluid temperature °C (°F)	Voltage* V	Resistance kΩ
20 (68)	3.5	2.3 - 2.7
50 (122)	2.2	0.79 - 0.90

\*: This data is reference value and is measured between ECM terminal 107 (fuel tank temperature sensor) and ground.

**CAUTION:**

**Never use ECM ground terminals when measuring input/output voltage. Doing so may result in damage to the ECM's transistor. Use a ground other than ECM terminals, such as the ground.**



On Board Diagnosis Logic

INFOID:000000004297378

DTC No.	Trouble diagnosis name	DTC detecting condition	Possible cause
P0181 0181	Fuel tank temperature sensor circuit range/performance	Rationally incorrect voltage from the sensor is sent to ECM, compared with the voltage signals from engine coolant temperature sensor and intake air temperature sensor.	<ul style="list-style-type: none"> <li>• Harness or connectors (The sensor circuit is open or shorted)</li> <li>• Fuel tank temperature sensor</li> </ul>

DTC Confirmation Procedure

INFOID:000000004297379

**NOTE:**

If DTC Confirmation Procedure has been previously conducted, always perform the following before conducting the next step.

1. Turn ignition switch OFF and wait at least 10 seconds.
2. Turn ignition switch ON.
3. Turn ignition switch OFF and wait at least 10 seconds.

**WITH CONSULT-III**

1. Turn ignition switch ON and wait at least 10 seconds.
2. Check 1st trip DTC.  
If 1st trip DTC is detected, go to [EC-194. "Diagnosis Procedure"](#).  
If 1st trip DTC is not detected, go to following step.
3. Select "DATA MONITOR" mode with CONSULT-III.
4. Check "COOLAN TEMP/S" value.  
If "COOLAN TEMP/S" is less than 60°C (140°F), the result will be OK.  
If "COOLAN TEMP/S" is above 60°C (140°F), go to the following step.
5. Cool engine down until "COOLAN TEMP/S" is less than 60°C (140°F).

< COMPONENT DIAGNOSIS >

6. Wait at least 10 seconds.
7. Check 1st trip DTC.
8. If 1st trip DTC is detected, go to [EC-194. "Diagnosis Procedure"](#).

 WITH GST

Follow the procedure "WITH CONSULT-III" above.

Diagnosis Procedure

INFOID:000000004297380

1. CHECK COMBINATION METER FUNCTION

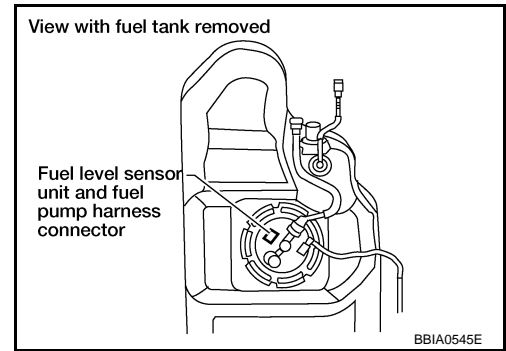
Refer to [GI-45. "Work Flow"](#).

OK or NG

- OK >> GO TO 2.
- NG >> Go to [MWI-32. "Component Function Check"](#).

2. CHECK FUEL TANK TEMPERATURE SENSOR POWER SUPPLY CIRCUIT

1. Turn ignition switch OFF.
2. Disconnect "fuel level sensor unit and fuel pump" harness connector.
3. Turn ignition switch ON.

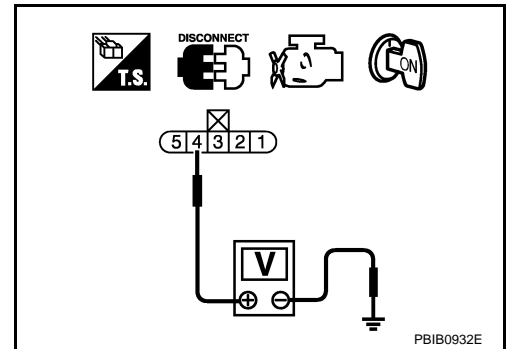


4. Check voltage between "fuel level sensor unit and fuel pump" terminal 4 and ground with CONSULT-III or tester.

**Voltage: Approximately 5V**

OK or NG

- OK >> GO TO 4.
- NG >> GO TO 3.



3. DETECT MALFUNCTIONING PART

Check the following.

- Harness connectors E41, C1
- Harness for open or short between ECM and "fuel level sensor unit and fuel pump"

>> Repair harness or connector.

4. CHECK FUEL TANK TEMPERATURE SENSOR GROUND CIRCUIT FOR OPEN AND SHORT

1. Turn ignition switch OFF.
2. Check harness continuity between "fuel level sensor unit and fuel pump" terminal 3 and ground. Refer to Wiring Diagram.

**Continuity should exist.**

3. Also check harness for short to power.

OK or NG

- OK >> GO TO 6.

# P0181 FTT SENSOR

[VQ40DE]

## < COMPONENT DIAGNOSIS >

NG >> GO TO 5.

### 5. DETECT MALFUNCTIONING PART

Check the following.

- Harness connectors E41, C1
- Harness for open or short between "fuel level sensor unit and fuel pump" ground

>> Repair open circuit or short to power in harness or connector.

### 6. CHECK FUEL TANK TEMPERATURE SENSOR

Refer to [EC-195, "Component Inspection"](#).

OK or NG

OK >> GO TO 7.

NG >> Replace fuel level sensor unit.

### 7. CHECK INTERMITTENT INCIDENT

Refer to [GI-49, "Intermittent Incident"](#).

>> **INSPECTION END**

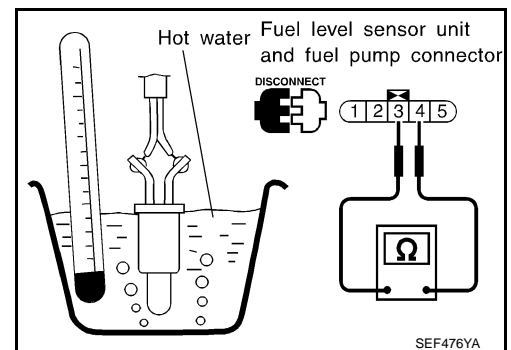
## Component Inspection

INFOID:000000004297381

### FUEL TANK TEMPERATURE SENSOR

1. Remove fuel level sensor unit.
2. Check resistance between "fuel level sensor unit and fuel pump" terminals 3 and 4 by heating with hot water or heat gun as shown in the figure.

Temperature °C (°F)	Resistance kΩ
20 (68)	2.3 - 2.7
50 (122)	0.79 - 0.90



# P0182, P0183 FTT SENSOR

< COMPONENT DIAGNOSIS >

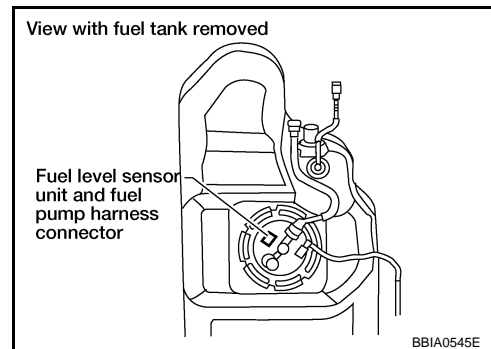
[VQ40DE]

## P0182, P0183 FTT SENSOR

### Component Description

INFOID:000000004297382

The fuel tank temperature sensor is used to detect the fuel temperature inside the fuel tank. The sensor modifies a voltage signal from the ECM. The modified signal returns to the ECM as the fuel temperature input. The sensor uses a thermistor which is sensitive to the change in temperature. The electrical resistance of the thermistor decreases as temperature increases.



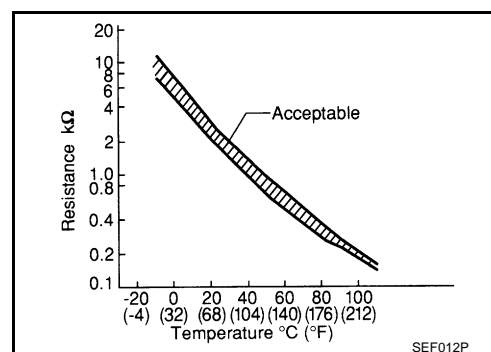
### <Reference data>

Fluid temperature °C (°F)	Voltage* V	Resistance kΩ
20 (68)	3.5	2.3 - 2.7
50 (122)	2.2	0.79 - 0.90

\*: This data is reference value and is measured between ECM terminal 107 (fuel tank temperature sensor) and ground.

#### CAUTION:

**Never use ECM ground terminals when measuring input/output voltage. Doing so may result in damage to the ECM's transistor. Use a ground other than ECM terminals, such as the ground.**



### On Board Diagnosis Logic

INFOID:000000004297383

DTC No.	Trouble diagnosis name	DTC detecting condition	Possible cause
P0182 0182	Fuel tank temperature sensor circuit low input	An excessively low voltage from the sensor is sent to ECM.	<ul style="list-style-type: none"> <li>• Harness or connectors (The sensor circuit is open or shorted.)</li> <li>• Fuel tank temperature sensor</li> </ul>
P0183 0183	Fuel tank temperature sensor circuit high input	An excessively high voltage from the sensor is sent to ECM.	

### DTC Confirmation Procedure

INFOID:000000004297384

1. If DTC Confirmation Procedure has been previously conducted, always perform the following before conducting the next step.
  - a. Turn ignition switch OFF and wait at least 10 seconds.
  - b. Turn ignition switch ON.
  - c. Turn ignition switch OFF and wait at least 10 seconds.
2. Turn ignition switch ON and wait at least 5 seconds.
3. Check 1st trip DTC.
4. If 1st trip DTC is detected, go to [EC-196. "Diagnosis Procedure"](#).

### Diagnosis Procedure

INFOID:000000004297385

#### 1. CHECK COMBINATION METER FUNCTION

Refer to [GI-45. "Work Flow"](#).

OK or NG

OK >> GO TO 2.



# P0182, P0183 FTT SENSOR

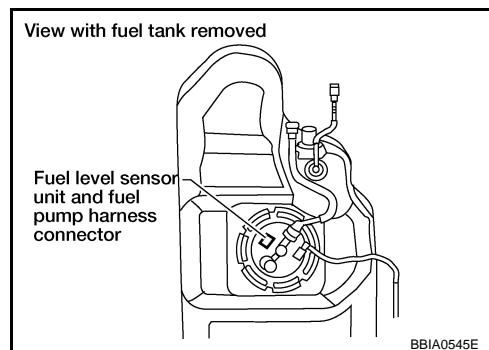
[VQ40DE]

< COMPONENT DIAGNOSIS >

NG >> Go to [MWI-32. "Component Function Check"](#).

## 2. CHECK FUEL TANK TEMPERATURE SENSOR POWER SUPPLY CIRCUIT

1. Turn ignition switch OFF.
2. Disconnect "fuel level sensor unit and fuel pump" harness connector.
3. Turn ignition switch ON.

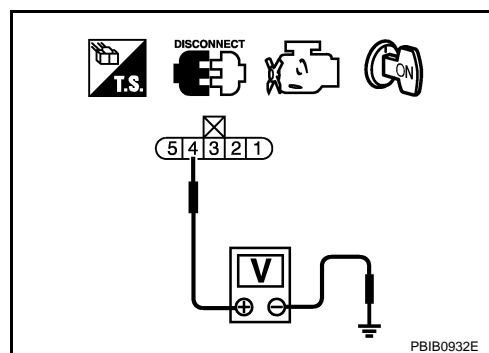


4. Check voltage between "fuel level sensor unit and fuel pump" terminal 4 and ground with CONSULT-III or tester.

**Voltage: Approximately 5V**

OK or NG

- OK >> GO TO 4.  
NG >> GO TO 3.



## 3. DETECT MALFUNCTIONING PART

Check the following.

- Harness connectors E41, C1
- Harness for open or short between ECM and "fuel level sensor unit and fuel pump"

>> Repair harness or connector.

## 4. CHECK FUEL TANK TEMPERATURE SENSOR GROUND CIRCUIT FOR OPEN AND SHORT

1. Turn ignition switch OFF.
2. Check harness continuity between "fuel level sensor unit and fuel pump" terminal 3 and ground. Refer to Wiring Diagram.

**Continuity should exist.**

3. Also check harness for short to power.

OK or NG

- OK >> GO TO 6.  
NG >> GO TO 5.

## 5. DETECT MALFUNCTIONING PART

Check the following.

- Harness connectors E41, C1
- Harness for open or short between "fuel level sensor unit and fuel pump" and ground

>> Repair open circuit or short to ground or short to power in harness or connector.

## 6. CHECK FUEL TANK TEMPERATURE SENSOR

Refer to [EC-198. "Component Inspection"](#).

OK or NG

- OK >> GO TO 7.

# P0182, P0183 FTT SENSOR

[VQ40DE]

< COMPONENT DIAGNOSIS >

NG >> Replace fuel level sensor unit.

## 7. CHECK INTERMITTENT INCIDENT

Refer to [GI-49, "Intermittent Incident"](#).

>> **INSPECTION END**

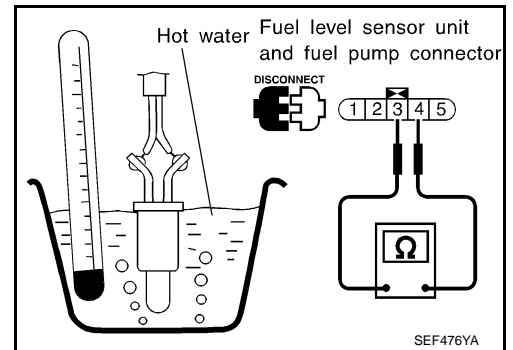
### Component Inspection

INFOID:000000004297386

#### FUEL TANK TEMPERATURE SENSOR

1. Remove fuel level sensor unit.
2. Check resistance between "fuel level sensor unit and fuel pump" terminals 3 and 4 by heating with hot water or heat gun as shown in the figure.

Temperature °C (°F)	Resistance kΩ
20 (68)	2.3 - 2.7
50 (122)	0.79 - 0.90



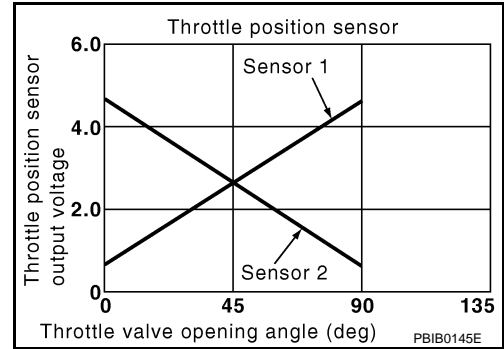
P0222, P0223 TP SENSOR

Component Description

INFOID:000000004297387

Electric throttle control actuator consists of throttle control motor, throttle position sensor, etc. The throttle position sensor responds to the throttle valve movement.

The throttle position sensor has the two sensors. These sensors are a kind of potentiometers which transform the throttle valve position into output voltage, and emit the voltage signal to the ECM. In addition, these sensors detect the opening and closing speed of the throttle valve and feed the voltage signals to the ECM. The ECM judges the current opening angle of the throttle valve from these signals and the ECM controls the throttle control motor to make the throttle valve opening angle properly in response to driving condition.



On Board Diagnosis Logic

INFOID:000000004297388

These self-diagnoses have the one trip detection logic.

DTC No.	Trouble diagnosis name	DTC detecting condition	Possible cause
P0222 0222	Throttle position sensor 1 circuit low input	An excessively low voltage from the TP sensor 1 is sent to ECM.	<ul style="list-style-type: none"> <li>• Harness or connectors (The TP sensor 1 circuit is open or shorted.) (The APP sensor 2 circuit is shorted.)</li> <li>• Electric throttle control actuator (TP sensor 1)</li> <li>• Accelerator pedal position sensor. (APP sensor 2)</li> </ul>
P0223 0223	Throttle position sensor 1 circuit high input	An excessively high voltage from the TP sensor 1 is sent to ECM.	

FAIL-SAFE MODE

When the malfunction is detected, ECM enters fail-safe mode and the MIL illuminates.

Engine operation condition in fail-safe mode

- The ECM controls the electric throttle control actuator in regulating the throttle opening in order for the idle position to be within +10 degrees.
- The ECM regulates the opening speed of the throttle valve to be slower than the normal condition.
- So, the acceleration will be poor.

DTC Confirmation Procedure

INFOID:000000004297389

NOTE:

If DTC Confirmation Procedure has been previously conducted, always perform the following before conducting the next step.

1. Turn ignition switch OFF and wait at least 10 seconds.
2. Turn ignition switch ON.
3. Turn ignition switch OFF and wait at least 10 seconds.

TESTING CONDITION:

Before performing the following procedure, confirm that battery voltage is more than 10V at idle.

4. Start engine and let it idle for 1 second.
5. Check DTC.
6. If DTC is detected, go to [EC-199, "Diagnosis Procedure"](#).

Diagnosis Procedure

INFOID:000000004297390

1. CHECK GROUND CONNECTIONS

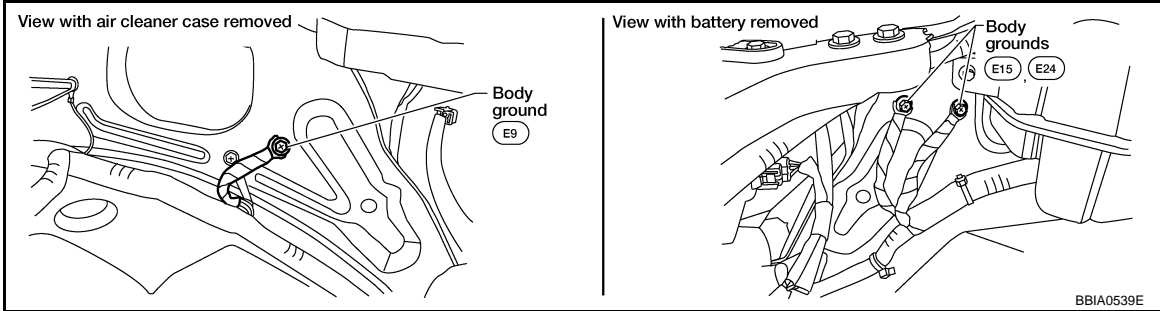
1. Turn ignition switch OFF.

# P0222, P0223 TP SENSOR

[VQ40DE]

## < COMPONENT DIAGNOSIS >

- Loosen and retighten three ground screws on the body. Refer to [EC-95, "Ground Inspection"](#).

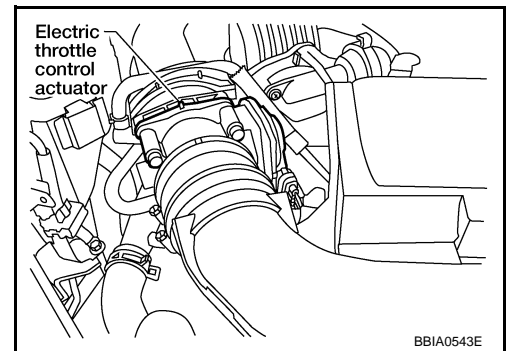


### OK or NG

- OK >> GO TO 2.
- NG >> Repair or replace ground connections.

## 2. CHECK THROTTLE POSITION SENSOR 1 POWER SUPPLY CIRCUIT-I

- Disconnect electric throttle control actuator harness connector.
- Turn ignition switch ON.

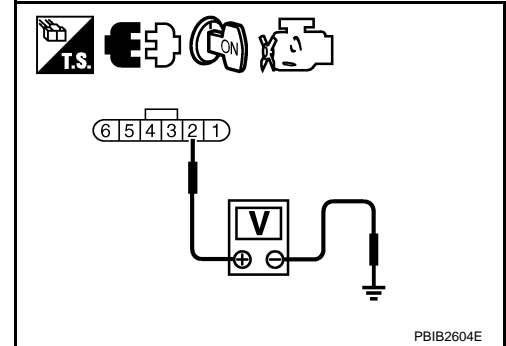


- Check voltage between electric throttle control actuator terminal 2 and ground with CONSULT-III or tester.

**Voltage: Approximately 5V**

### OK or NG

- OK >> GO TO 7.
- NG >> GO TO 3.



## 3. CHECK THROTTLE POSITION SENSOR 1 POWER SUPPLY CIRCUIT-II

- Turn ignition switch OFF.
- Disconnect ECM harness connector.
- Check harness continuity between electric throttle control actuator terminal 2 and ECM terminal 47. Refer to Wiring Diagram.

**Continuity should exist.**

### OK or NG

- OK >> GO TO 4.
- NG >> Repair open circuit.

## 4. CHECK THROTTLE POSITION SENSOR 1 POWER SUPPLY CIRCUIT-III

Check harness for short to power and short to ground, between the following terminals.

ECM terminal	Sensor terminal	Reference Wiring Diagram
47	Electric throttle control actuator terminal 2	<a href="#">EC-433</a>
91	APP sensor terminal 1	

# P0222, P0223 TP SENSOR

[VQ40DE]

< COMPONENT DIAGNOSIS >

OK or NG

- OK >> GO TO 5.
- NG >> Repair short to ground or short to power in harness or connectors.

## 5. CHECK APP SENSOR

Refer to [EC-371, "Component Inspection"](#).

OK or NG

- OK >> GO TO 11.
- NG >> GO TO 6.

## 6. REPLACE ACCELERATOR PEDAL ASSEMBLY

1. Replace accelerator pedal assembly.
2. Perform [EC-25, "Accelerator Pedal Released Position Learning"](#).
3. Perform [EC-25, "Throttle Valve Closed Position Learning"](#).
4. Perform [EC-25, "Idle Air Volume Learning"](#).

>> **INSPECTION END**

## 7. CHECK THROTTLE POSITION SENSOR 1 GROUND CIRCUIT FOR OPEN AND SHORT

1. Turn ignition switch OFF.
2. Disconnect ECM harness connector.
3. Check harness continuity between electric throttle control actuator terminal 4 and ECM terminal 66. Refer to Wiring Diagram.

**Continuity should exist.**

4. Also check harness for short to ground and short to power.

OK or NG

- OK >> GO TO 8.
- NG >> Repair open circuit or short to ground or short to power in harness or connectors.

## 8. CHECK THROTTLE POSITION SENSOR 1 INPUT SIGNAL CIRCUIT FOR OPEN AND SHORT

1. Check harness continuity between ECM terminal 50 and electric throttle control actuator terminal 1. Refer to Wiring Diagram.

**Continuity should exist.**

2. Also check harness for short to ground and short to power.

OK or NG

- OK >> GO TO 9.
- NG >> Repair open circuit or short to ground or short to power in harness or connectors.

## 9. CHECK THROTTLE POSITION SENSOR

Refer to [EC-202, "Component Inspection"](#).

OK or NG

- OK >> GO TO 11.
- NG >> GO TO 10.

## 10. REPLACE ELECTRIC THROTTLE CONTROL ACTUATOR

1. Replace the electric throttle control actuator.
2. Perform [EC-25, "Throttle Valve Closed Position Learning"](#).
3. Perform [EC-25, "Idle Air Volume Learning"](#).

>> **INSPECTION END**

## 11. CHECK INTERMITTENT INCIDENT

Refer to [GI-49, "Intermittent Incident"](#).

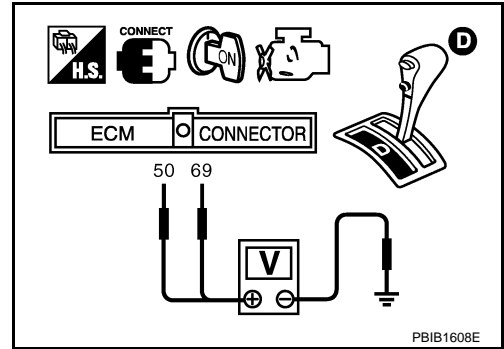
Component Inspection

INFOID:000000004297391

THROTTLE POSITION SENSOR

1. Reconnect all harness connectors disconnected.
2. Perform [EC-25, "Throttle Valve Closed Position Learning"](#).
3. Turn ignition switch ON.
4. Set selector lever to D position.
5. Check voltage between ECM terminals 50 (TP sensor 1 signal), 69 (TP sensor 2 signal) and ground under the following conditions.

Terminal	Accelerator pedal	Voltage
50 (Throttle position sensor 1)	Fully released	More than 0.36V
	Fully depressed	Less than 4.75V
69 (Throttle position sensor 2)	Fully released	Less than 4.75V
	Fully depressed	More than 0.36V



6. If NG, replace electric throttle control actuator and go to the next step.
7. Perform [EC-25, "Throttle Valve Closed Position Learning"](#).
8. Perform [EC-25, "Idle Air Volume Learning"](#).

# P0300, P0301, P0302, P0303, P0304, P0305, P0306, P0307, P0308 MISFIRE

< COMPONENT DIAGNOSIS >

[VQ40DE]

## P0300, P0301, P0302, P0303, P0304, P0305, P0306, P0307, P0308 MISFIRE

### On Board Diagnosis Logic

INFOID:000000004297392

When a misfire occurs, engine speed will fluctuate. If the engine speed fluctuates enough to cause the crankshaft position (CKP) sensor (POS) signal to vary, ECM can determine that a misfire is occurring.

Sensor	Input Signal to ECM	ECM function
Crankshaft position sensor (POS)	Engine speed	On board diagnosis of misfire

The misfire detection logic consists of the following two conditions.

- One Trip Detection Logic (Three Way Catalyst Damage)**  
On the first trip, when a misfire condition occurs that can damage the three way catalyst (TWC) due to overheating, the MIL will blink.  
When a misfire condition occurs, the ECM monitors the CKP sensor signal every 200 engine revolutions for a change.  
When the misfire condition decreases to a level that will not damage the TWC, the MIL will turn off.  
If another misfire condition occurs that can damage the TWC on a second trip, the MIL will blink.  
When the misfire condition decreases to a level that will not damage the TWC, the MIL will remain on.  
If another misfire condition occurs that can damage the TWC, the MIL will begin to blink again.
- Two Trip Detection Logic (Exhaust quality deterioration)**  
For misfire conditions that will not damage the TWC (but will affect vehicle emissions), the MIL will only light when the misfire is detected on a second trip. During this condition, the ECM monitors the CKP sensor signal every 1,000 engine revolutions.  
A misfire malfunction can be detected in any one cylinder or in multiple cylinders.

DTC No.	Trouble diagnosis name	DTC detecting condition	Possible cause
P0300 0300	Multiple cylinder misfire detected	Multiple cylinder misfires.	
P0301 0301	No.1 cylinder misfire detected	No. 1 cylinder misfires.	<ul style="list-style-type: none"><li>• Improper spark plug</li><li>• Insufficient compression</li><li>• Incorrect fuel pressure</li><li>• The fuel injector is open or shorted</li><li>• Fuel injector</li><li>• Intake air leak</li><li>• The ignition signal circuit is open or shorted</li><li>• Lack of fuel</li><li>• Signal plate</li><li>• Air fuel ratio (A/F) sensor 1</li><li>• Incorrect PCV hose connection</li></ul>
P0302 0302	No. 2 cylinder misfire detected	No. 2 cylinder misfires.	
P0303 0303	No. 3 cylinder misfire detected	No. 3 cylinder misfires.	
P0304 0304	No. 4 cylinder misfire detected	No. 4 cylinder misfires.	
P0305 0305	No. 5 cylinder misfire detected	No. 5 cylinder misfires.	
P0306 0306	No. 6 cylinder misfire detected	No. 6 cylinder misfires.	

### DTC Confirmation Procedure

INFOID:000000004297393

#### **CAUTION:**

**Always drive vehicle in safe manner according to traffic conditions and obey all traffic laws when driving.**

#### **NOTE:**

If DTC Confirmation Procedure has been previously conducted, always perform the following procedure before conducting the next step.

1. Turn ignition switch OFF and wait at least 10 seconds.
2. Turn ignition switch ON.
3. Turn ignition switch OFF and wait at least 10 seconds.

#### WITH CONSULT-III

1. Turn ignition switch ON, and select "DATA MONITOR" mode with CONSULT-III.

# P0300, P0301, P0302, P0303, P0304, P0305, P0306, P0307, P0308 MISFIRE

< COMPONENT DIAGNOSIS >

[VQ40DE]

2. Start engine and warm it up to normal operating temperature.
3. Turn ignition switch OFF and wait at least 10 seconds.
4. Turn ignition switch ON.
5. Turn ignition switch OFF and wait at least 10 seconds.
6. Restart engine and let it idle for about 15 minutes.
7. Check 1st trip DTC.
8. If 1st trip DTC is detected, go to [EC-204, "Diagnosis Procedure"](#).

## NOTE:

If 1st trip DTC is not detected during above procedure, performing the following procedure is advised.

- a. Turn ignition switch OFF and wait at least 10 seconds.
- b. Turn ignition switch ON.
- c. Turn ignition switch OFF and wait at least 10 seconds.
- d. Start engine and drive the vehicle under similar conditions to (1st trip) Freeze Frame Data for a certain time. Refer to the table below.

**Hold the accelerator pedal as steady as possible.**

Similar conditions to (1st trip) Freeze Frame Data mean that the following conditions should be satisfied at the same time.

Engine speed	Engine speed in the freeze frame data $\pm$ 400 rpm
Basic fuel schedule	Basic fuel schedule in freeze frame data $\times$ (1 $\pm$ 0.1)
Engine coolant temperature (T) condition	When the freeze frame data shows lower than 70 °C (158 °F), T should be lower than 70 °C (158 °F).
	When the freeze frame data shows higher than or equal to 70 °C (158 °F), T should be higher than or equal to 70 °C (158 °F).

Driving time varies according to the engine speed in the freeze frame data.

Engine speed	Time
Around 1,000 rpm	Approximately 10 minutes
Around 2,000 rpm	Approximately 5 minutes
More than 3,000 rpm	Approximately 3.5 minutes

## WITH GST

Follow the procedure "WITH CONSULT-III" above.

## Diagnosis Procedure

INFOID:000000004352004

### 1. CHECK FOR INTAKE AIR LEAK AND PCV HOSE

1. Start engine and run it at idle speed.
2. Listen for the sound of the intake air leak.
3. Check PCV hose connection.

#### OK or NG

- OK >> GO TO 2.  
NG >> Discover air leak location and repair.

### 2. CHECK FOR EXHAUST SYSTEM CLOGGING

Stop engine and visually check exhaust tube, three way catalyst and muffler for dents.

#### OK or NG

- OK (With CONSULT-III) >> GO TO 3.  
OK (Without CONSULT-III) >> GO TO 4.  
NG >> Repair or replace it.

### 3. PERFORM POWER BALANCE TEST



**With CONSULT-III**

1. Perform "POWER BALANCE" in "ACTIVE TEST" mode.
2. Is there any cylinder which does not produce a momentary engine speed drop?

**Yes or No**

- Yes >> GO TO 4.  
 No >> GO TO 10.

**4.CHECK FUNCTION OF FUEL INJECTOR-I**

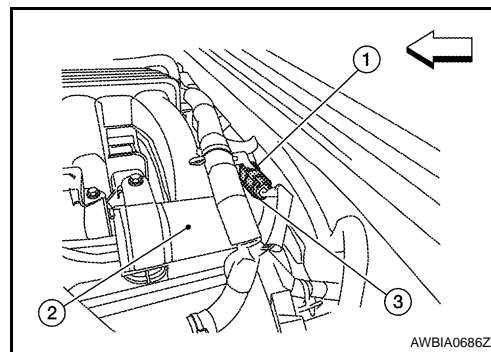
Stop engine.

1. Disconnect harness connector F44 (3), F201 (1)

2 : Vacuum tank

↔ : Front

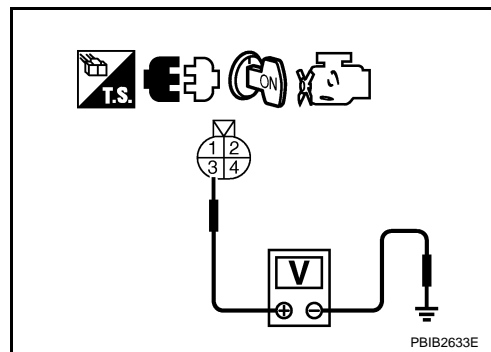
2. Turn ignition switch ON.



3. Check voltage between harness connector F44 terminal 3 and ground with CONSULT-III or tester.

**Voltage: Battery voltage**

4. Turn ignition switch OFF.
5. Disconnect ECM harness connector.
6. Check harness continuity between harness connector F44 and ECM as follows.  
Refer to Wiring Diagram.



Cylinder	Harness connector F44 terminal	ECM terminal
1	2	23
3	1	22
5	4	21

**Continuity should exist.**

7. Also check harness for short to ground and short to power.

**OK or NG**

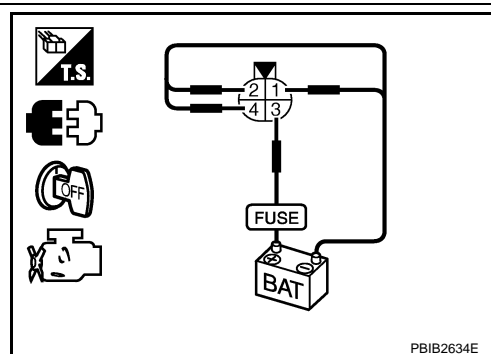
OK >> GO TO 5.

NG >> Perform trouble diagnosis for FUEL INJECTOR, refer to [EC-394, "Diagnosis Procedure"](#).

**5.CHECK FUNCTION OF FUEL INJECTOR-II**

Provide battery voltage between harness connector F201 as follows and then interrupt it. Listen to each fuel injector operating sound.

Cylinder	Harness connector F201 terminal	
	(+)	(-)
1	3	2
3	3	1
5	3	4



**Operating sound should exist.**

A  
EC  
C  
D  
E  
F  
G  
H  
I  
J  
K  
L  
M  
N  
O  
P

# P0300, P0301, P0302, P0303, P0304, P0305, P0306, P0307, P0308 MISFIRE

< COMPONENT DIAGNOSIS >

[VQ40DE]

OK or NG

OK >> GO TO 6.

NG >> Perform trouble diagnosis for FUEL INJECTOR, refer to [EC-394. "Diagnosis Procedure"](#).

## 6. CHECK FUNCTION OF FUEL INJECTOR-III

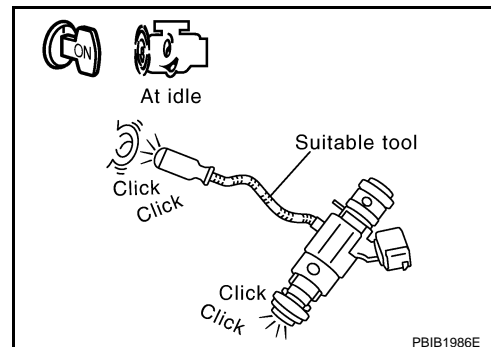
1. Reconnect all harness connector disconnected.
2. Start engine.
3. Listen to fuel injectors No. 2, No. 4, No.6 operating sound.

**Clicking noise should exist.**

OK or NG

OK >> GO TO 7.

NG >> Perform trouble diagnosis for FUEL INJECTOR, refer to [EC-394. "Diagnosis Procedure"](#).



## 7. CHECK FUNCTION OF IGNITION COIL-I

**CAUTION:**

Perform the following procedure in a place with no combustible objects and good ventilation.

1. Turn ignition switch OFF.
2. Remove fuel pump fuse (No.48) in IPDM E/R to release fuel pressure.

**NOTE:**

Do not use CONSULT-III to release fuel pressure, or fuel pressure applies again during the following procedure.

3. Start engine.
4. After engine stalls, crank it two or three times to release all fuel pressure.
5. Turn ignition switch OFF.
6. Remove all ignition coil harness connectors to avoid the electrical discharge from the ignition coils.
7. Remove ignition coil and spark plug of the cylinder to be checked.
8. Crank engine for five seconds or more to remove combustion gas in the cylinder.
9. Connect spark plug and harness connector to ignition coil.
10. Fix ignition coil using a rope etc. with gap of 13 - 17 mm (0.52 - 0.66 in) between the edge of the spark plug and grounded metal portion as shown in the figure.
11. Crank engine for about three seconds, and check whether spark is generated between the spark plug and the grounded metal portion.

**Spark should be generated.**

**CAUTION:**

- Never place to the spark plug and the ignition coil within 50cm (19.7 in) each other. Be careful not to get an electrical shock while checking, because the electrical discharge voltage becomes 20 kV or more.
- It might cause to damage the ignition coil if the gap of more than 17 mm (0.66 in) is made.

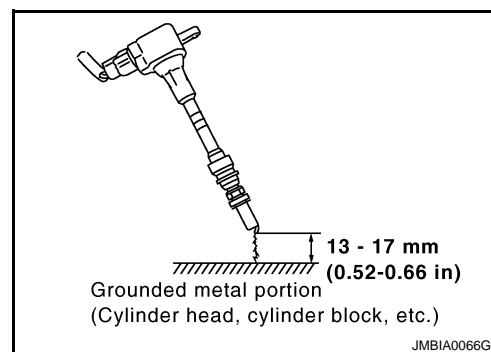
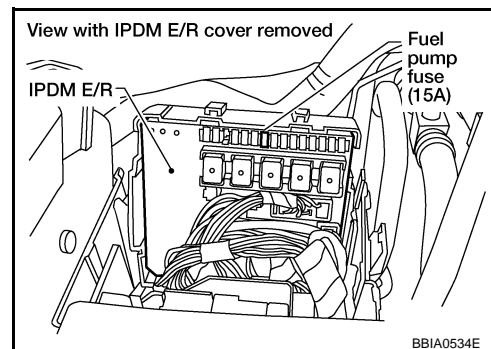
**NOTE:**

When the gap is less than 13 mm (0.52 in), the spark might be generated even if the coil is malfunctioning.

OK or NG

OK >> GO TO 11.

NG >> GO TO 8.



**8. CHECK FUNCTION OF IGNITION COIL-II**

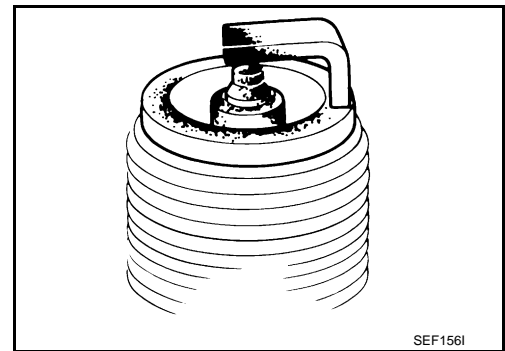
1. Turn ignition switch OFF.
2. Disconnect spark plug and connect a known-good spark plug.
3. Crank engine for about three seconds, and recheck whether spark is generated between the spark plug and the grounded metal portion.

**Spark should be generated.**OK or NG

OK &gt;&gt; GO TO 9.

NG >> Check ignition coil, power transistor and their circuits. Refer to [EC-402. "Diagnosis Procedure"](#).**9. CHECK SPARK PLUG**

Check the initial spark plug for fouling, etc.

OK or NGOK >> Replace spark plug(s) with standard type one(s). For spark plug type, refer to [EM-16. "Removal and Installation"](#).NG >> 1. Repair or clean spark plug.  
2. GO TO 10.**10. CHECK FUNCTION OF IGNITION COIL-III**

1. Reconnect the initial spark plugs.
2. Crank engine for about three seconds, and recheck whether spark is generated between the spark plug and the grounded portion.

**Spark should be generated.**OK or NGOK >> **INSPECTION END**NG >> Replace spark plug(s) with standard type one(s). For spark plug type, refer to [EM-16. "Removal and Installation"](#).**11. CHECK COMPRESSION PRESSURE**Check compression pressure. Refer to [EM-22. "Compression Pressure"](#).OK or NG

OK &gt;&gt; GO TO 12.

NG &gt;&gt; Check pistons, piston rings, valves, valve seats and cylinder head gaskets.

**12. CHECK FUEL PRESSURE**

1. Install all removed parts.
2. Release fuel pressure to zero. Refer to [EC-484. "Fuel Pressure Check"](#).
3. Install fuel pressure gauge and check fuel pressure. Refer to [EC-484. "Fuel Pressure Check"](#).

**At idle: Approx. 350 kPa (3.57 kg/cm<sup>2</sup>, 51 psi)**OK or NG

OK &gt;&gt; GO TO 14.

NG &gt;&gt; GO TO 13.

**13. DETECT MALFUNCTIONING PART**

Check the following.

- Fuel pump and circuit (Refer to [EC-394. "Diagnosis Procedure"](#).)
- Fuel pressure regulator (Refer to [EC-484. "Fuel Pressure Check"](#).)
- Fuel lines

# P0300, P0301, P0302, P0303, P0304, P0305, P0306, P0307, P0308 MISFIRE

< COMPONENT DIAGNOSIS >

[VQ40DE]

- Fuel filter for clogging

>> Repair or replace.

## 14. CHECK IGNITION TIMING

Check the following items. Refer to [EC-20. "Basic Inspection"](#).

Items	Specifications
Target idle speed	625 ± 50 rpm (in P or N position)
Ignition timing	15 ± 5° BTDC (in P or N position)

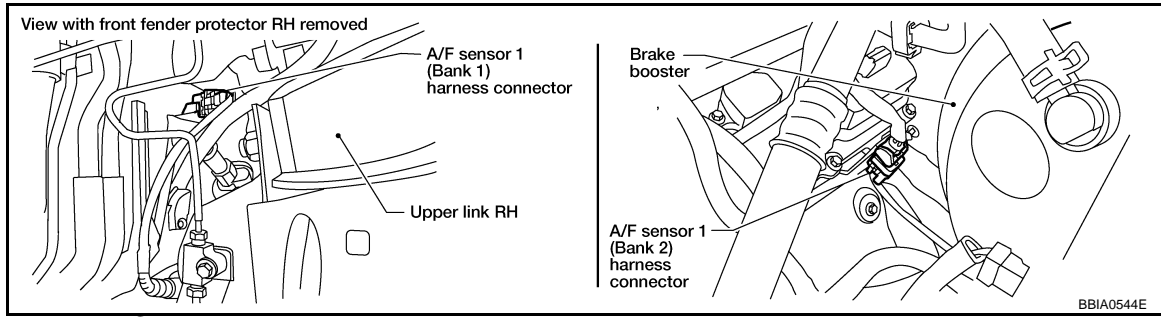
**OK or NG**

OK >> GO TO 15.

NG >> Follow the [EC-20. "Basic Inspection"](#).

## 15. CHECK A/F SENSOR 1 INPUT SIGNAL

1. Turn ignition switch OFF.
2. Disconnect A/F sensor 1 harness connector.



3. Disconnect ECM harness connector.
4. Check harness continuity between A/F sensor 1 terminal and ECM terminal as follows. Refer to Wiring Diagram.

	A/F sensor 1 terminal	ECM terminal
Bank 1	1	16
	2	75
Bank 2	1	35
	2	56

**Continuity should exist.**

5. Check harness continuity between the following terminals and ground. Refer to Wiring Diagram.

Bank 1		Bank 2	
A/F sensor 1 terminal	ECM terminal	A/F sensor 1 terminal	ECM terminal
1	16	1	35
2	75	2	56

**Continuity should not exist.**

6. Also check harness for short to power.

**OK or NG**

OK >> GO TO 16.

NG >> Repair open circuit or short to ground or short to power in harness or connectors between ECM and A/F sensor 1.

**16.**CHECK A/F SENSOR 1 HEATER

Refer to [EC-103. "Component Inspection"](#).

OK or NG

OK >> GO TO 18.

NG >> GO TO 17.

**17.**REPLACE A/F SENSOR 1

Replace malfunctioning A/F sensor 1.

**CAUTION:**

- Discard any A/F sensor which has been dropped from a height of more than 0.5 m (19.7 in) onto a hard surface such as a concrete floor; use a new one.
- Before installing new A/F sensor, clean exhaust system threads using Heated Oxygen Sensor Thread Cleaner tool J-43897-18 or J-43897-12 and approved anti-seize lubricant.

>> **INSPECTION END**

**18.**CHECK MASS AIR FLOW SENSOR

 **With CONSULT-III**

Check mass air flow sensor signal in "DATA MONITOR" mode with CONSULT-III.

**2.0 - 6.0 g-m/sec: at idling**

**7.0 - 20.0 g-m/sec: at 2,500 rpm**

 **With GST**

Check mass air flow sensor signal in Service \$01 with GST.

**2.0 - 6.0 g-m/sec: at idling**

**7.0 - 20.0 g-m/sec: at 2,500 rpm**

OK or NG

OK >> GO TO 19.

NG >> Check connectors for rusted terminals or loose connections in the mass air flow sensor circuit or ground. Refer to [EC-115. "Component Inspection"](#).

**19.**CHECK SYMPTOM MATRIX CHART

Check items on the rough idle symptom in [EC-473. "Symptom Matrix Chart"](#).

OK or NG

OK >> GO TO 20.

NG >> Repair or replace.

**20.**ERASE THE 1ST TRIP DTC

Some tests may cause a 1st trip DTC to be set.

Erase the 1st trip DTC from the ECM memory after performing the tests. Refer to [EC-53. "Emission-related Diagnostic Information"](#).

>> GO TO 21.

**21.**CHECK INTERMITTENT INCIDENT

Refer to [GI-49. "Intermittent Incident"](#).

>> **INSPECTION END**

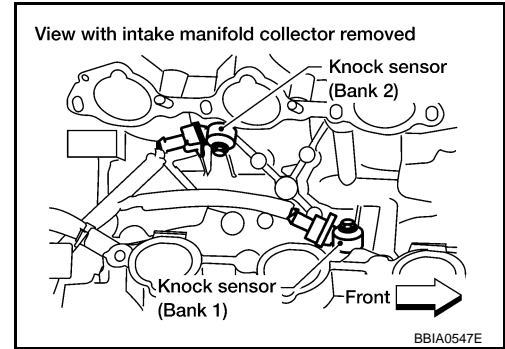
A  
EC  
C  
D  
E  
F  
G  
H  
I  
J  
K  
L  
M  
N  
O  
P

P0327, P0328, P0332, P0333 KS

Component Description

INFOID:000000004297395

The knock sensor is attached to the cylinder block. It senses engine knocking using a piezoelectric element. A knocking vibration from the cylinder block is sensed as vibrational pressure. This pressure is converted into a voltage signal and sent to the ECM.



On Board Diagnosis Logic

INFOID:000000004297396

The MIL will not illuminate for these diagnoses.

DTC No.	Trouble diagnosis name	DTC detecting condition	Possible cause
P0327 0327 (Bank 1)	Knock sensor circuit low input	An excessively low voltage from the sensor is sent to ECM.	<ul style="list-style-type: none"> <li>• Harness or connectors (The sensor circuit is open or shorted.)</li> <li>• Knock sensor</li> </ul>
P0332 0332 (Bank 2)			
P0328 0328 (Bank 1)	Knock sensor circuit high input	An excessively high voltage from the sensor is sent to ECM.	
P0333 0333 (Bank 2)			

DTC Confirmation Procedure

INFOID:000000004297397

**NOTE:**

If DTC Confirmation Procedure has been previously conducted, always perform the following before conducting the next step.

1. Turn ignition switch OFF and wait at least 10 seconds.
2. Turn ignition switch ON.
3. Turn ignition switch OFF and wait at least 10 seconds.

**TESTING CONDITION:**

Before performing the following procedure, confirm that battery voltage is more than 10V at idle.

4. Start engine and run it for at least 5 seconds at idle speed.
5. Check 1st trip DTC.
6. If 1st trip DTC is detected, go to [EC-210. "Diagnosis Procedure"](#).

Diagnosis Procedure

INFOID:000000004297398

**1. CHECK KNOCK SENSOR INPUT SIGNAL CIRCUIT FOR OPEN AND SHORT-I**

1. Turn ignition switch OFF.
2. Disconnect ECM harness connector.
3. Check resistance between ECM terminals 15, 36 and ground. Refer to Wiring Diagram.

**NOTE:**

It is necessary to use an ohmmeter which can measure more than 10 MΩ.

**Resistance: Approximately 532 - 588 kΩ [at 20°C (68°F)]**

< COMPONENT DIAGNOSIS >

4. Also check harness for short to ground and short to power.

OK or NG

- OK >> GO TO 5.
- NG >> GO TO 2.

**2. CHECK KNOCK SENSOR INPUT SIGNAL CIRCUIT FOR OPEN AND SHORT-II**

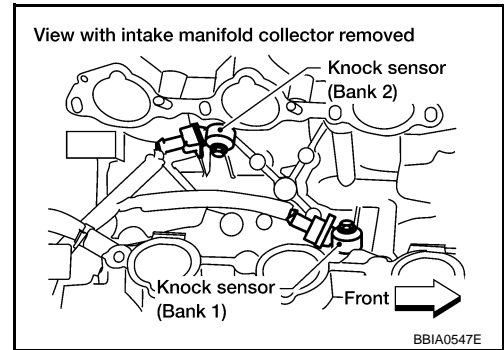
1. Disconnect knock sensor harness connector.
2. Check harness continuity between ECM terminal 15 and knock sensor (bank1) terminal 1, ECM terminal 36 and knock sensor (bank 2) terminal 1.  
Refer to Wiring Diagram.

**Continuity should exist.**

3. Also check harness for short to ground and short to power.

OK or NG

- OK >> GO TO 4.
- NG >> GO TO 3.



**3. DETECT MALFUNCTIONING PART**

Check the following.

- Harness connectors F67, F250
- Harness for open or short between ECM and knock sensor

>> Repair open circuit or short to ground or short to power in harness or connectors.

**4. CHECK KNOCK SENSOR**

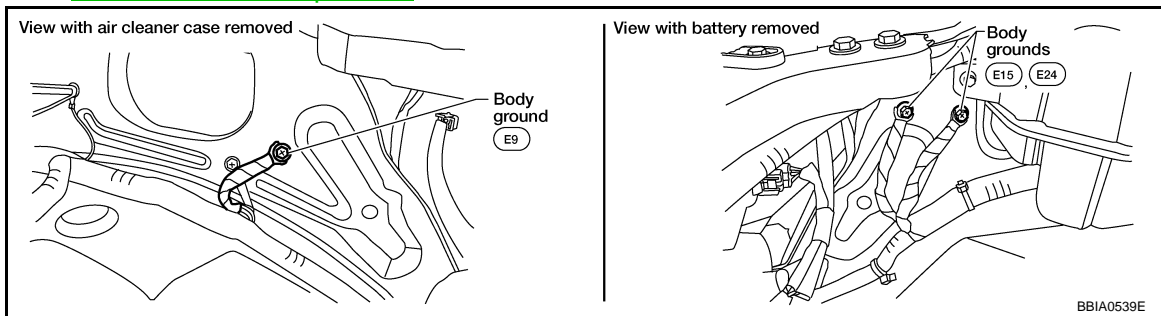
Refer to [EC-212. "Component Inspection"](#).

OK or NG

- OK >> GO TO 5.
- NG >> Replace malfunctioning knock sensor.

**5. CHECK GROUND CONNECTIONS**

1. Turn ignition switch OFF.
2. Loosen and retighten three ground screws on the body.  
Refer to [EC-95. "Ground Inspection"](#).



OK or NG

- OK >> GO TO 6.
- NG >> Repair or replace ground connections.

**6. CHECK KNOCK SENSOR SHIELD CIRCUIT FOR OPEN AND SHORT**

1. Disconnect knock sensor harness connector.
2. Check harness continuity between knock sensor terminal 2 and ground. Refer to Wiring Diagram.

**Continuity should exist.**

OK or NG

- OK >> GO TO 8.
- NG >> GO TO 7.

< COMPONENT DIAGNOSIS >

7. DETECT MALFUNCTIONING PART

Check the following.

- Harness connectors F67, F250
- Harness connectors F14, E5
- Harness for open or short between knock sensor and ground

>> Repair open circuit or short power in harness or connectors.

8. CHECK INTERMITTENT INCIDENT

Refer to [GI-49. "Intermittent Incident"](#).

>> INSPECTION END

Component Inspection

INFOID:000000004297399

KNOCK SENSOR

Check resistance between knock sensor terminal 1 and ground.

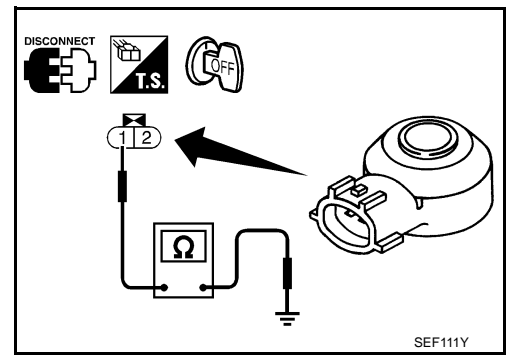
**NOTE:**

It is necessary to use an ohmmeter which can measure more than 10 MΩ.

**Resistance: Approximately 532 - 588 kΩ [at 20°C (68°F)]**

**CAUTION:**

Never use any knock sensors that have been dropped or physically damaged. Use only new ones.



SEF111Y



# P0335 CKP SENSOR (POS)

< COMPONENT DIAGNOSIS >

[VQ40DE]

## P0335 CKP SENSOR (POS)

### Component Description

INFOID:000000004297400

The crankshaft position sensor (POS) is located on the oil pan facing the gear teeth (cogs) of the signal plate. It detects the fluctuation of the engine revolution.

The sensor consists of a permanent magnet and Hall IC.

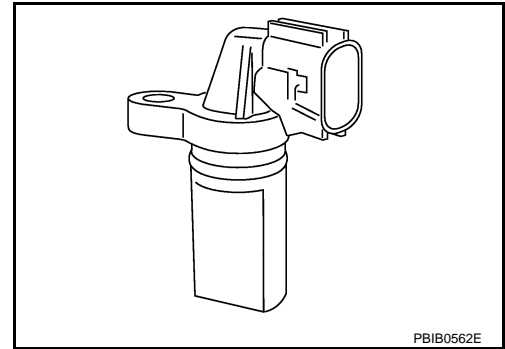
When the engine is running, the high and low parts of the teeth cause the gap with the sensor to change.

The changing gap causes the magnetic field near the sensor to change.

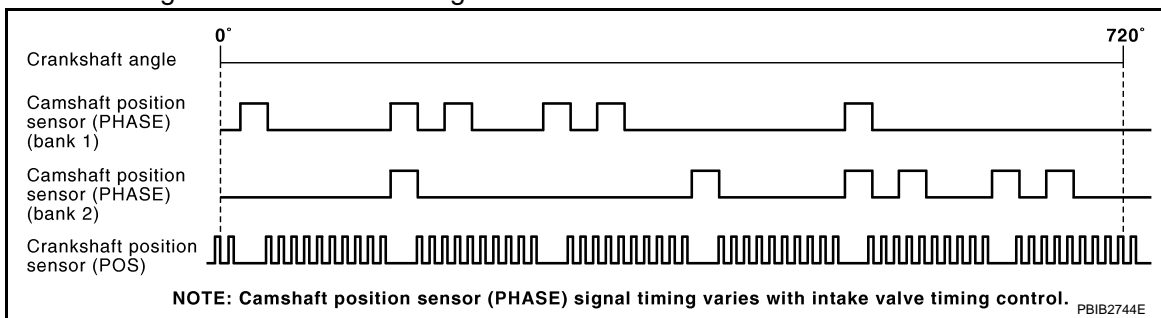
Due to the changing magnetic field, the voltage from the sensor changes.

The ECM receives the voltage signal and detects the fluctuation of the engine revolution.

ECM receives the signals as shown in the figure.



PBIB0562E



NOTE: Camshaft position sensor (PHASE) signal timing varies with intake valve timing control. PBIB2744E

### On Board Diagnosis Logic

INFOID:000000004297401

DTC No.	Trouble diagnosis name	DTC detecting condition	Possible cause
P0335 0335	Crankshaft position sensor (POS) circuit	<ul style="list-style-type: none"> <li>The crankshaft position sensor (POS) signal is not detected by the ECM during the first few seconds of engine cranking.</li> <li>The proper pulse signal from the crankshaft position sensor (POS) is not sent to ECM while the engine is running.</li> <li>The crankshaft position sensor (POS) signal is not in the normal pattern during engine running.</li> </ul>	<ul style="list-style-type: none"> <li>Harness or connectors (The sensor circuit is open or shorted)</li> <li>Crankshaft position sensor (POS)</li> <li>Signal plate</li> </ul>

### DTC Confirmation Procedure

INFOID:000000004297402

#### NOTE:

If DTC Confirmation Procedure has been previously conducted, always perform the following before conducting the next step.

1. Turn ignition switch OFF and wait at least 10 seconds.
2. Turn ignition switch ON.
3. Turn ignition switch OFF and wait at least 10 seconds.

#### TESTING CONDITION:

Before performing the following procedure, confirm that battery voltage is more than 10.5V with ignition switch ON.

1. Crank engine for at least 2 seconds and run it for at least 5 seconds at idle speed.
2. Check 1st trip DTC.
3. If 1st trip DTC is detected, go to [EC-213. "Diagnosis Procedure"](#).

### Diagnosis Procedure

INFOID:000000004297403

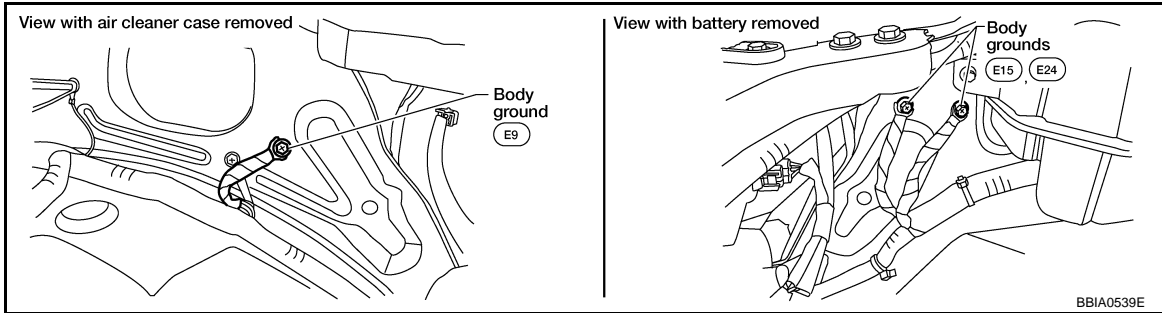
#### 1. CHECK GROUND CONNECTIONS

# P0335 CKP SENSOR (POS)

[VQ40DE]

## < COMPONENT DIAGNOSIS >

1. Turn ignition switch OFF.
2. Loosen and retighten three ground screws on the body. Refer to [EC-95, "Ground Inspection"](#).

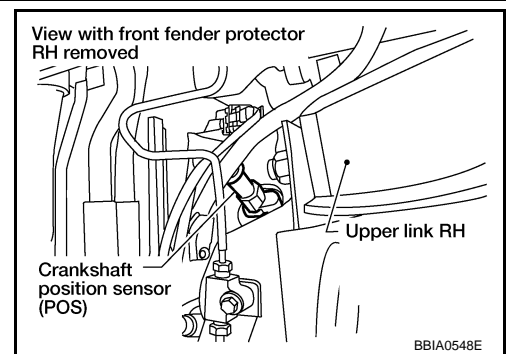


### OK or NG

- OK >> GO TO 2.
- NG >> Repair or replace ground connections.

## 2. CHECK CRANKSHAFT POSITION (CKP) SENSOR (POS) POWER SUPPLY CIRCUIT

1. Disconnect crankshaft position (CKP) sensor (POS) harness connector.
2. Turn ignition switch ON.

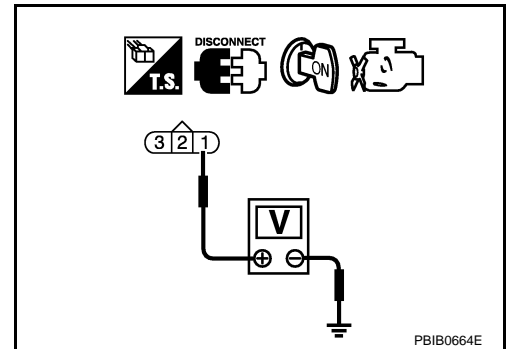


3. Check voltage between CKP sensor (POS) terminal 1 and ground with CONSULT-III or tester.

**Voltage: Battery voltage**

### OK or NG

- OK >> GO TO 4.
- NG >> GO TO 3.



## 3. DETECT MALFUNCTIONING PART

Check the following.

- Harness connectors F32, E2
- Harness for open or short between crankshaft position sensor (POS) and ECM
- Harness for open or short between crankshaft position sensor (POS) and IPDM E/R

>> Repair open circuit or short to ground or short to power in harness or connectors.

## 4. CHECK CKP SENSOR (POS) GROUND CIRCUIT FOR OPEN AND SHORT

1. Turn ignition switch OFF.
2. Check harness continuity between CKP sensor (POS) terminal 3 and ground. Refer to Wiring Diagram.

**Continuity should exist.**

3. Also check harness for short to power.

### OK or NG

- OK >> GO TO 6.
- NG >> GO TO 5.

# P0335 CKP SENSOR (POS)

< COMPONENT DIAGNOSIS >

[VQ40DE]

## 5. DETECT MALFUNCTIONING PART

Check the following.

- Harness connectors F32, E2
- Harness for open or short between crankshaft position sensor (POS) and ground

>> Repair open circuit or short to power in harness or connectors.

## 6. CHECK CKP SENSOR (POS) INPUT SIGNAL CIRCUIT FOR OPEN AND SHORT

1. Disconnect ECM harness connector.
2. Check harness continuity between ECM terminal 13 and CKP sensor (POS) terminal 2.  
Refer to Wiring Diagram.

**Continuity should exist.**

3. Also check harness for short to ground and short to power.

OK or NG

OK >> GO TO 7.

NG >> Repair open circuit or short to ground or short to power in harness or connectors.

## 7. CHECK CRANKSHAFT POSITION SENSOR (POS)

Refer to [EC-215. "Component Inspection"](#).

OK or NG

OK >> GO TO 8.

NG >> Replace crankshaft position sensor (POS).

## 8. CHECK GEAR TOOTH

Visually check for chipping signal plate gear tooth.

OK or NG

OK >> GO TO 9.

NG >> Replace the signal plate.

## 9. CHECK INTERMITTENT INCIDENT

Refer to [GI-49. "Intermittent Incident"](#).

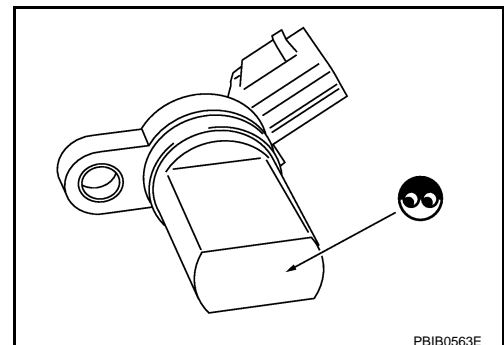
>> **INSPECTION END**

## Component Inspection

INFOID:000000004297404

### CRANKSHAFT POSITION SENSOR (POS)

1. Loosen the fixing bolt of the sensor.
2. Disconnect crankshaft position sensor (POS) harness connector.
3. Remove the sensor.
4. Visually check the sensor for chipping.



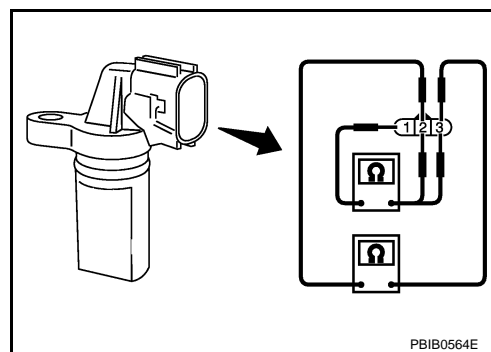
# P0335 CKP SENSOR (POS)

## < COMPONENT DIAGNOSIS >

[VQ40DE]

5. Check resistance as shown in the figure.

Terminal No. (Polarity)	Resistance $\Omega$ [at 25°C (77°F)]
1 (+) - 2 (-)	Except 0 or $\infty$
1 (+) - 3 (-)	
2 (+) - 3 (-)	



# P0340, P0345 CMP SENSOR (PHASE)

< COMPONENT DIAGNOSIS >

[VQ40DE]

## P0340, P0345 CMP SENSOR (PHASE)

### Component Description

INFOID:000000004297405

The camshaft position sensor (PHASE) senses the retraction of intake valve camshaft to identify a particular cylinder. The camshaft position sensor (PHASE) senses the piston position.

When the crankshaft position sensor (POS) system becomes inoperative, the camshaft position sensor (PHASE) provides various controls of engine parts instead, utilizing timing of cylinder identification signals.

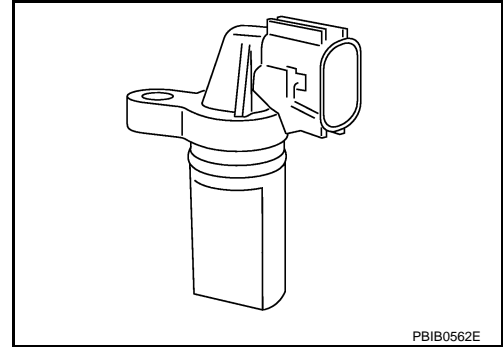
The sensor consists of a permanent magnet and Hall IC.

When engine is running, the high and low parts of the teeth cause the gap with the sensor to change.

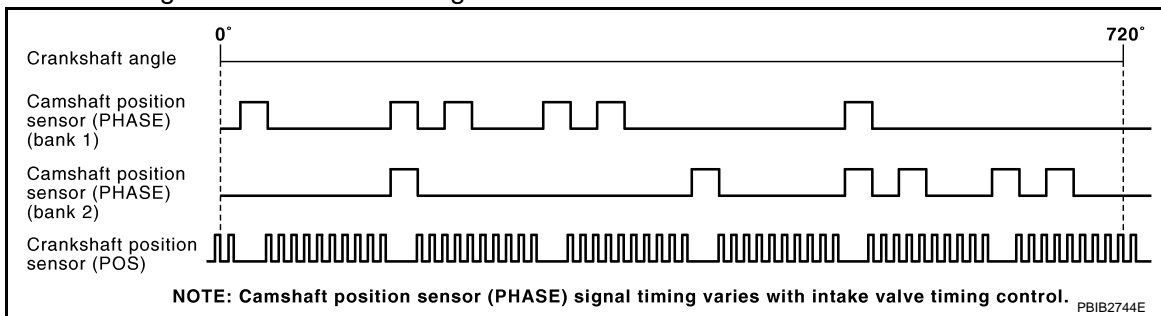
The changing gap causes the magnetic field near the sensor to change.

Due to the changing magnetic field, the voltage from the sensor changes.

ECM receives the signals as shown in the figure.



PBIB0562E



### On Board Diagnosis Logic

INFOID:000000004297406

DTC No.	Trouble diagnosis name	DTC detecting condition	Possible cause
P0340 0340 (Bank 1)	Camshaft position sensor (PHASE) circuit	<ul style="list-style-type: none"> <li>The cylinder No. signal is not sent to ECM for the first few seconds during engine cranking.</li> <li>The cylinder No. signal is not sent to ECM during engine running.</li> <li>The cylinder No. signal is not in the normal pattern during engine running.</li> </ul>	<ul style="list-style-type: none"> <li>Harness or connectors (The sensor circuit is open or shorted)</li> <li>Camshaft position sensor (PHASE)</li> <li>Camshaft (Intake)</li> <li>Starter motor</li> <li>Starting system circuit</li> <li>Dead (Weak) battery</li> </ul>
P0345 0345 (Bank 2)			

### DTC Confirmation Procedure

INFOID:000000004297407

#### NOTE:

If DTC Confirmation Procedure has been previously conducted, always perform the following before conducting the next step.

1. Turn ignition switch OFF and wait at least 10 seconds.
2. Turn ignition switch ON.
3. Turn ignition switch OFF and wait at least 10 seconds.

#### TESTING CONDITION:

Before performing the following procedure, confirm that battery voltage is more than 10.5V with ignition switch ON.

1. Crank engine for at least 2 seconds and run it for at least 5 seconds at idle speed.
2. Check 1st trip DTC.
3. If 1st trip DTC is detected, go to [EC-218, "Diagnosis Procedure"](#).  
If 1st trip DTC is not detected, go to next step.
4. Maintaining engine speed at more than 800 rpm for at least 5 seconds.
5. Check 1st trip DTC.
6. If 1st trip DTC is detected, go to [EC-218, "Diagnosis Procedure"](#).

# P0340, P0345 CMP SENSOR (PHASE)

[VQ40DE]

< COMPONENT DIAGNOSIS >

INFOID:000000004297408

## Diagnosis Procedure

### 1. CHECK STARTING SYSTEM

Turn ignition switch to START position.

**Does the engine turn over?**

**Does the starter motor operate?**

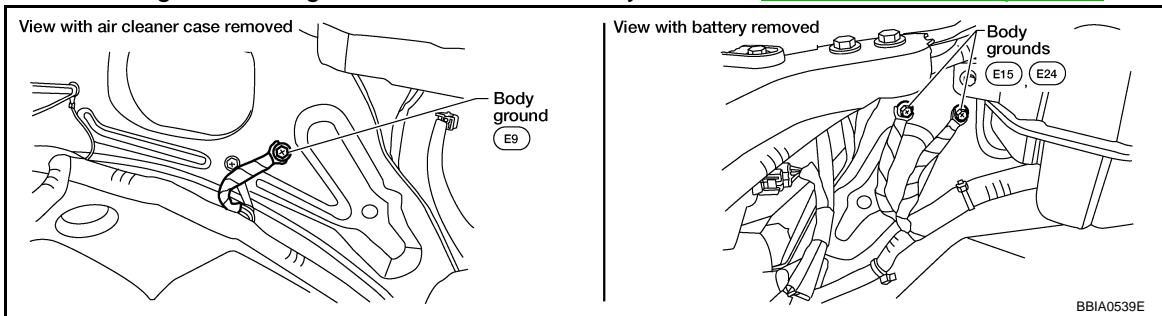
Yes or No

Yes >> GO TO 2.

No >> Check starting system. (Refer to [GI-45. "Work Flow"](#).)

### 2. CHECK GROUND CONNECTIONS

1. Turn ignition switch OFF.
2. Loosen and retighten three ground screws on the body. Refer to [EC-95. "Ground Inspection"](#).



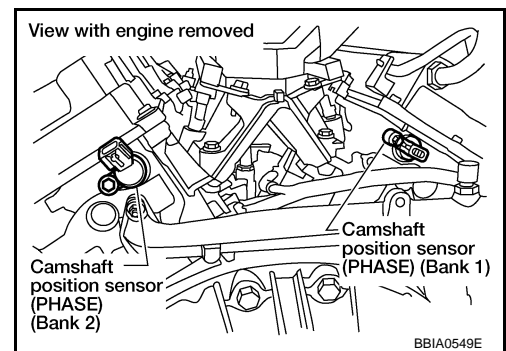
OK or NG

OK >> GO TO 3.

NG >> Repair or replace ground connections.

### 3. CHECK CAMSHAFT POSITION (CMP) SENSOR (PHASE) POWER SUPPLY CIRCUIT

1. Disconnect camshaft position (CMP) sensor (PHASE) harness connector.
2. Turn ignition switch ON.



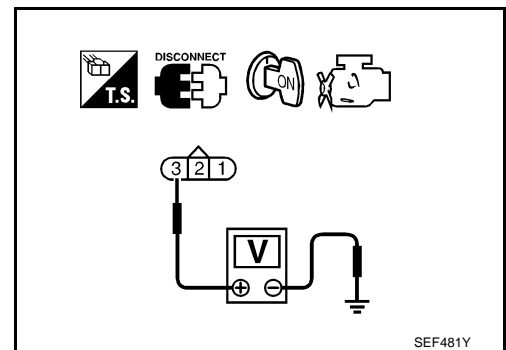
3. Check voltage between CMP sensor (PHASE) terminal 3 and ground with CONSULT-III or tester.

**Voltage: Battery voltage**

OK or NG

OK >> GO TO 5.

NG >> GO TO 4.



### 4. DETECT MALFUNCTIONING PART

Check the following.

- Harness connectors E2, F32
- Harness for open or short between camshaft position sensor (PHASE) and ECM

# P0340, P0345 CMP SENSOR (PHASE)

[VQ40DE]

## < COMPONENT DIAGNOSIS >

- Harness for open or short between camshaft position sensor (PHASE) and IPDM E/R

>> Repair open circuit or short to ground or short to power in harness or connectors.

### 5. CHECK CMP SENSOR (PHASE) GROUND CIRCUIT FOR OPEN AND SHORT

1. Turn ignition switch OFF.
2. Check harness continuity between CMP sensor (PHASE) terminal 1 and ground.

**Continuity should exist.**

3. Also check harness for short to power.

#### OK or NG

- OK >> GO TO 7.
- NG >> GO TO 6.

### 6. DETECT MALFUNCTIONING PART

Check the following.

- Harness connectors F32, E2
- Harness for open or short between CMP sensor (PHASE) and ground

>> Repair open circuit or short to power in harness or connectors.

### 7. CHECK CMP SENSOR (PHASE) INPUT SIGNAL CIRCUIT FOR OPEN AND SHORT

1. Disconnect ECM harness connector.
2. Check harness continuity between ECM terminal 33 (bank 1) or 14 (bank 2) and CMP sensor (PHASE) terminal 2.  
Refer to Wiring Diagram.

**Continuity should exist.**

3. Also check harness for short to ground and short to power.

#### OK or NG

- OK >> GO TO 8.
- NG >> Repair open circuit or short to ground or short to power in harness or connectors.

### 8. CHECK CAMSHAFT POSITION SENSOR (PHASE)

Refer to [EC-220, "Component Inspection"](#).

#### OK or NG

- OK >> GO TO 9.
- NG >> Replace malfunctioning camshaft position sensor (PHASE).

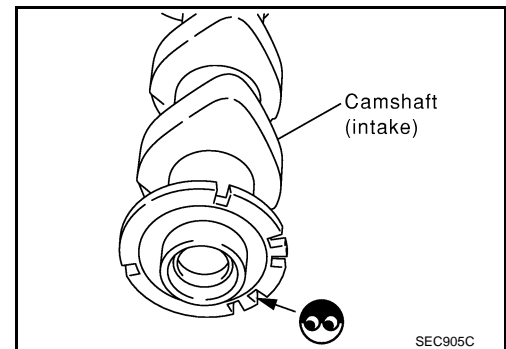
### 9. CHECK CAMSHAFT (INTAKE)

Check the following.

- Accumulation of debris to the signal plate of camshaft rear end
- Chipping signal plate of camshaft rear end

#### OK or NG

- OK >> GO TO 10.
- NG >> Remove debris and clean the signal plate of camshaft rear end or replace malfunctioning camshaft.



### 10. CHECK INTERMITTENT INCIDENT

Refer to [GI-49, "Intermittent Incident"](#).

# P0340, P0345 CMP SENSOR (PHASE)

[VQ40DE]

< COMPONENT DIAGNOSIS >

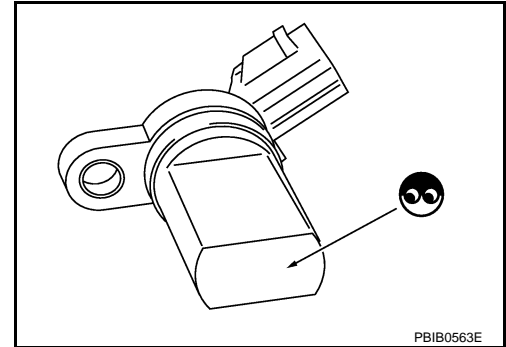
>> INSPECTION END

## Component Inspection

INFOID:000000004297409

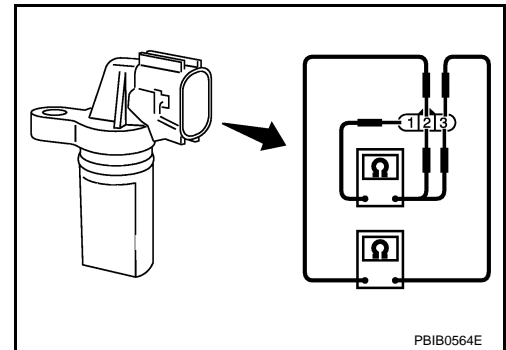
### CAMSHAFT POSITION SENSOR (PHASE)

1. Loosen the fixing bolt of the sensor.
2. Disconnect camshaft position sensor (PHASE) harness connector.
3. Remove the sensor.
4. Visually check the sensor for chipping.



5. Check resistance as shown in the figure.

Terminal No. (Polarity)	Resistance $\Omega$ [at 25°C (77°F)]
1 (+) - 2 (-)	Except 0 or $\infty$
1 (+) - 3 (-)	
2 (+) - 3 (-)	





# P0420, P0430 THREE WAY CATALYST FUNCTION

< COMPONENT DIAGNOSIS >

[VQ40DE]

## P0420, P0430 THREE WAY CATALYST FUNCTION

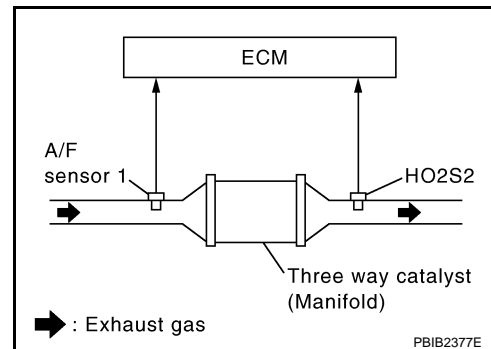
### On Board Diagnosis Logic

INFOID:000000004297410

The ECM monitors the switching frequency ratio of air fuel ratio (A/F) sensor 1 and heated oxygen sensor 2.

A three way catalyst (manifold) with high oxygen storage capacity will indicate a low switching frequency of heated oxygen sensor 2. As oxygen storage capacity decreases, the heated oxygen sensor 2 switching frequency will increase.

When the frequency ratio of air fuel ratio (A/F) sensor 1 and heated oxygen sensor 2 approaches a specified limit value, the three way catalyst (manifold) malfunction is diagnosed.



DTC No.	Trouble diagnosis name	DTC detecting condition	Possible cause
P0420 0420 (Bank 1)	Catalyst system efficiency below threshold	<ul style="list-style-type: none"> <li>• Three way catalyst (manifold) does not operate properly.</li> <li>• Three way catalyst (manifold) does not have enough oxygen storage capacity.</li> </ul>	<ul style="list-style-type: none"> <li>• Three way catalyst (manifold)</li> <li>• Exhaust tube</li> <li>• Intake air leaks</li> <li>• Fuel injector</li> <li>• Fuel injector leaks</li> <li>• Spark plug</li> <li>• Improper ignition timing</li> </ul>
P0430 0430 (Bank 2)			

### DTC Confirmation Procedure

INFOID:000000004297411

#### NOTE:

If DTC Confirmation Procedure has been previously conducted, always perform the following before conducting the next step.

1. Turn ignition switch OFF and wait at least 10 seconds.
2. Turn ignition switch ON.
3. Turn ignition switch OFF and wait at least 10 seconds.

#### Ⓜ WITH CONSULT-III

#### TESTING CONDITION:

**Never maintain engine speed for more than the specified minutes below.**

1. Turn ignition switch ON and select "DATA MONITOR" mode with CONSULT-III.
2. Start engine and warm it up to the normal operating temperature.
3. Turn ignition switch OFF and wait at least 10 seconds.
4. Turn ignition switch ON.
5. Turn ignition switch OFF and wait at least 10 seconds.
6. Start engine and keep the engine speed between 3,500 and 4,000 rpm for at least 1 minute under no load.
7. Let engine idle for 1 minute.
8. Make sure that "COOLAN TEMP/S" indicates more than 70°C (158°F).  
If not, warm up engine and go to next step when "COOLAN TEMP/S" indication reaches to 70°C (158°F).
9. Open engine hood.
10. Select "DTC & SRT CONFIRMATION" then "SRT WORK SUPPORT" mode with CONSULT-III.
11. Rev engine between 2,000 and 3,000 rpm and hold it for 3 consecutive minutes then release the accelerator pedal completely.  
If "INCMP" of "CATALYST" changed to "CMPLT", go to step 12.
12. Wait 5 seconds at idle.
13. Rev engine between 2,000 and 3,000 rpm and maintain it until "INCMP" of "CATALYST" changes to "CMPLT" (It will take approximately 5 minutes).  
If not "CMPLT", stop engine and cool it down to less than 70°C (158°F) and then retest from step 1.
14. Select "SELF-DIAG RESULTS" mode with CONSULT-III.

# P0420, P0430 THREE WAY CATALYST FUNCTION

[VQ40DE]

## < COMPONENT DIAGNOSIS >

15. Confirm that the 1st trip DTC is not detected.

If the 1st trip DTC is detected, go to [EC-222, "Diagnosis Procedure"](#).

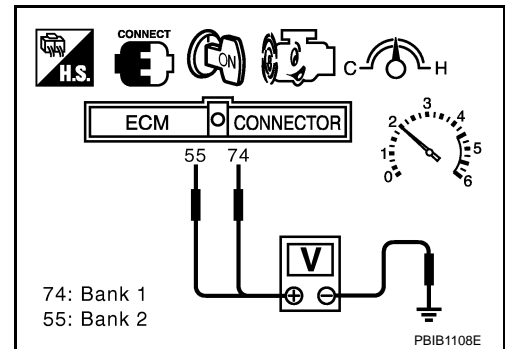
## Overall Function Check

INFOID:000000004297412

Use this procedure to check the overall function of the three way catalyst (manifold). During this check, a 1st trip DTC might not be confirmed.

### Ⓢ WITH GST

1. Start engine and warm it up to the normal operating temperature.
  2. Turn ignition switch OFF and wait at least 10 seconds.
  3. Turn ignition switch ON.
  4. Turn ignition switch OFF and wait at least 10 seconds.
  5. Start engine and keep the engine speed between 3,500 and 4,000 rpm for at least 1 minute under no load.
  6. Let engine idle for 1 minute.
  7. Open engine hood.
  8. Set voltmeter probe between ECM terminals 74 [HO2S2 (bank 1) signal], 55 [HO2S2 (bank 2) signal] and ground.
  9. Keep engine speed at 2,500 rpm constant under no load.
  10. Make sure that the voltage does not vary for more than 5 seconds.  
If the voltage fluctuation cycle takes less than 5 seconds, go to [EC-222, "Diagnosis Procedure"](#).
- 1 cycle: 0.6 - 1.0 → 0 - 0.3 → 0.6 - 1.0



## Diagnosis Procedure

INFOID:000000004297413

### 1. CHECK EXHAUST SYSTEM

Visually check exhaust tubes and muffler for dent.

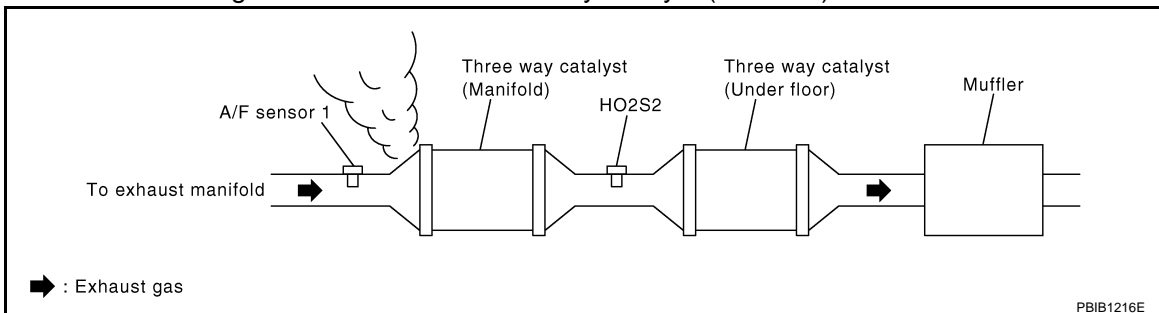
#### OK or NG

OK >> GO TO 2.

NG >> Repair or replace.

### 2. CHECK EXHAUST GAS LEAK

1. Start engine and run it at idle.
2. Listen for an exhaust gas leak before the three way catalyst (manifold).



#### OK or NG

OK >> GO TO 3.

NG >> Repair or replace.

### 3. CHECK INTAKE AIR LEAK

Listen for an intake air leak after the mass air flow sensor.

#### OK or NG

OK >> GO TO 4.

# P0420, P0430 THREE WAY CATALYST FUNCTION

[VQ40DE]

## < COMPONENT DIAGNOSIS >

NG >> Repair or replace.

### 4.CHECK IGNITION TIMING

Check the following items. Refer to [EC-20, "Basic Inspection"](#).

Items	Specifications
Target idle speed	625 ± 50 rpm (in P or N position)
Ignition timing	15 ± 5° BTDC (in P or N position)

#### OK or NG

OK >> GO TO 5.

NG >> Follow the [EC-20, "Basic Inspection"](#).

### 5.CHECK FUEL INJECTOR

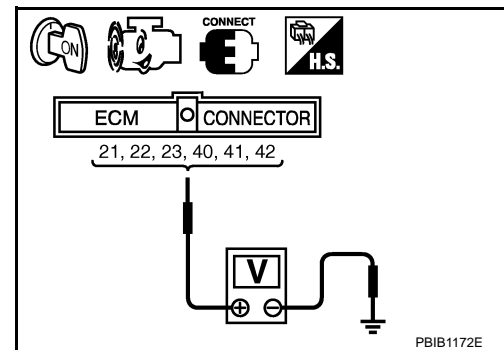
1. Stop engine and then turn ignition switch ON.
2. Check voltage between ECM terminals 21, 22, 23, 40, 41, 42 and ground with CONSULT-III or tester.  
Refer to Wiring Diagram for FUEL INJECTOR, [EC-433, "Wiring Diagram - ENGINE CONTROL SYSTEM -"](#).

**Battery voltage should exist.**

#### OK or NG

OK >> GO TO 6.

NG >> Perform [EC-394, "Diagnosis Procedure"](#).



### 6.CHECK FUNCTION OF IGNITION COIL-I

#### CAUTION:

Perform the following procedure in a place with no combustible objects and good ventilation.

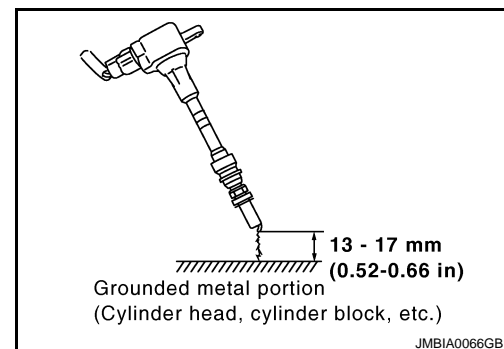
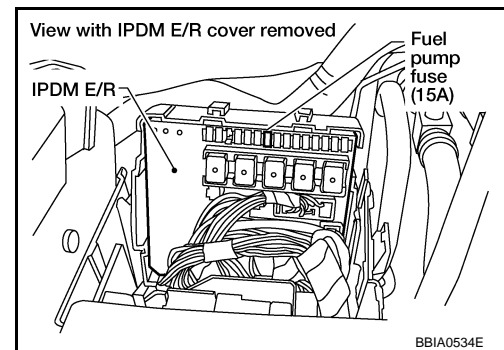
1. Turn ignition switch OFF.
2. Remove fuel pump fuse (No.48) in IPDM E/R to release fuel pressure.  
**NOTE:**  
Never use CONSULT-III to release fuel pressure, or fuel pressure applies again during the following procedure.

3. Start engine.
4. After engine stalls, crank it two or three times to release all fuel pressure.
5. Turn ignition switch OFF.
6. Remove all ignition coil harness connectors to avoid the electrical discharge from the ignition coils.
7. Remove ignition coil and spark plug of the cylinder to be checked.
8. Crank engine for five seconds or more to remove combustion gas in the cylinder.
9. Connect spark plug and harness connector to ignition coil.
10. Fix ignition coil using a rope etc. with gap of 13 - 17 mm (0.52 - 0.66 in) between the edge of the spark plug and grounded metal portion as shown in the figure.
11. Crank engine for about three seconds, and check whether spark is generated between the spark plug and the grounded metal portion.

**Spark should be generated.**

#### CAUTION:

- Never place to the spark plug and the ignition coil within 50 cm (19.7 in) each other. Be careful not to get an electrical shock while checking, because the electrical discharge voltage becomes 20 kV or more.



# P0420, P0430 THREE WAY CATALYST FUNCTION

[VQ40DE]

## < COMPONENT DIAGNOSIS >

- It might cause to damage the ignition coil if the gap of more than 17 mm (0.66 in) is made.

### NOTE:

When the gap is less than 13 mm (0.52 in), the spark might be generated even if the coil is malfunctioning.

### OK or NG

OK >> GO TO 10.

NG >> GO TO 7.

## 7. CHECK FUNCTION OF IGNITION COIL-II

1. Turn ignition switch OFF.
2. Disconnect spark plug and connect a known-good spark plug.
3. Crank engine for approximately 3 seconds, and recheck whether spark is generated between the spark plug and the grounded metal portion.

**Spark should be generated.**

### OK or NG

OK >> GO TO 8.

NG >> Check ignition coil, power transistor and their circuits. Refer to [EC-402](#).

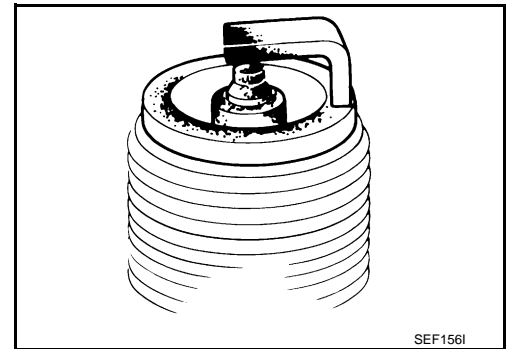
## 8. CHECK SPARK PLUG

Check the initial spark plug for fouling, etc.

### OK or NG

OK >> Replace spark plug(s) with standard type one(s). For spark plug type, refer to [EM-16, "Removal and Installation"](#).

NG >> 1. Repair or clean spark plug.  
2. GO TO 9.



## 9. CHECK FUNCTION OF IGNITION COIL-III

1. Reconnect the initial spark plugs.
2. Crank engine for approximately 3 seconds, and recheck whether spark is generated between the spark plug and the grounded portion.

**Spark should be generated.**

### OK or NG

OK >> **INSPECTION END**

NG >> Replace spark plug(s) with standard type one(s). For spark plug type, refer to [EM-16, "Removal and Installation"](#).

## 10. CHECK FUEL INJECTOR

1. Turn ignition switch OFF.
2. Remove fuel injector assembly.  
Refer to [EM-45, "Removal and Installation"](#).  
Keep fuel hose and all fuel injectors connected to fuel tube.
3. Reconnect all fuel injector harness connectors.
4. Disconnect all ignition coil harness connectors.
5. Turn ignition switch ON.  
Check that fuel does not drip from fuel injector.

### OK or NG

OK (Does not drip.)>>GO TO 11.

NG (Drips.)>>Replace the fuel injector(s) from which fuel is dripping.

## 11. CHECK INTERMITTENT INCIDENT

Refer to [GI-49, "Intermittent Incident"](#).

# P0420, P0430 THREE WAY CATALYST FUNCTION

< COMPONENT DIAGNOSIS >

[VQ40DE]

Trouble is fixed.>>**INSPECTION END**  
Trouble is not fixed.>>Replace three way catalyst (manifold).

A

**EC**

C

D

E

F

G

H

I

J

K

L

M

N

O

P

# P0441 EVAP CONTROL SYSTEM

< COMPONENT DIAGNOSIS >

[VQ40DE]

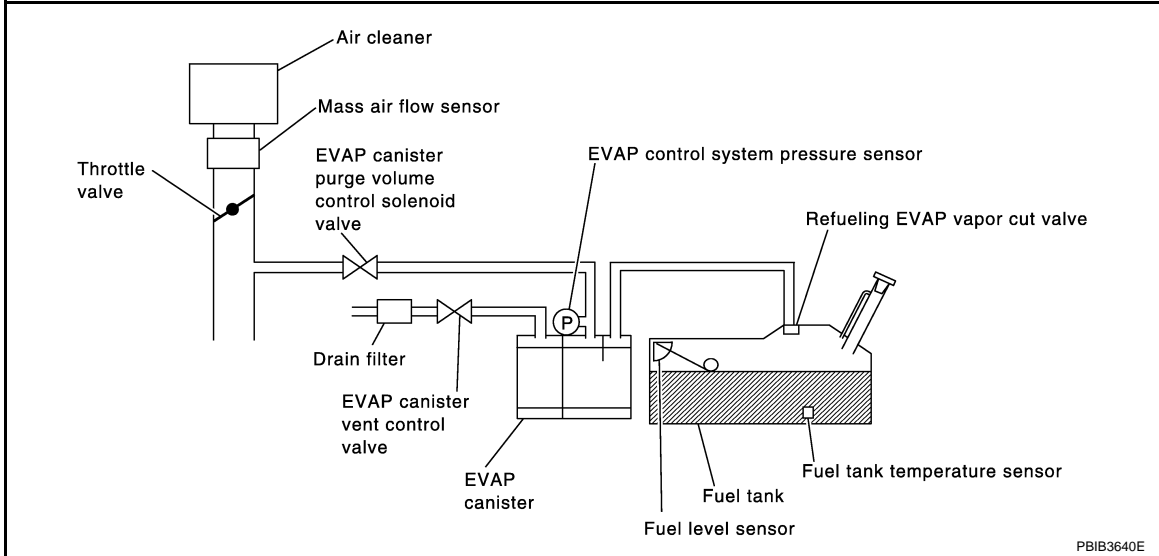
## P0441 EVAP CONTROL SYSTEM

### System Description

INFOID:000000004297414

**NOTE:**

If DTC P0441 is displayed with other DTC such as P2122, P2123, P2127, P2128 or P2138, first perform trouble diagnosis for other DTC.



In this evaporative emission (EVAP) control system, purge flow occurs during non-closed throttle conditions. Purge volume is related to air intake volume. Under normal purge conditions (non-closed throttle), the EVAP canister purge volume control solenoid valve is open to admit purge flow. Purge flow exposes the EVAP control system pressure sensor to intake manifold vacuum.

### On Board Diagnosis Logic

INFOID:000000004297415

Under normal conditions (non-closed throttle), sensor output voltage indicates if pressure drop and purge flow are adequate. If not, a malfunction is determined.

DTC No.	Trouble diagnosis name	DTC detecting condition	Possible cause
P0441 0441	EVAP control system incorrect purge flow	EVAP control system does not operate properly, EVAP control system has a leak between intake manifold and EVAP control system pressure sensor.	<ul style="list-style-type: none"> <li>• EVAP canister purge volume control solenoid valve stuck closed</li> <li>• EVAP control system pressure sensor and the circuit</li> <li>• Loose, disconnected or improper connection of rubber tube</li> <li>• Blocked rubber tube</li> <li>• Cracked EVAP canister</li> <li>• EVAP canister purge volume control solenoid valve circuit</li> <li>• Accelerator pedal position sensor</li> <li>• Blocked purge port</li> <li>• EVAP canister vent control valve</li> <li>• Drain filter</li> </ul>

### DTC Confirmation Procedure

INFOID:000000004297416

**CAUTION:**

Always drive vehicle at a safe speed.

**NOTE:**

If DTC Confirmation Procedure has been previously conducted, always perform the following before conducting the next step.

1. Turn ignition switch OFF and wait at least 10 seconds.
2. Turn ignition switch ON.

# P0441 EVAP CONTROL SYSTEM

[VQ40DE]

## < COMPONENT DIAGNOSIS >

3. Turn ignition switch OFF and wait at least 10 seconds.

### TESTING CONDITION:

Always perform test at a temperature of 5°C (41°F) or more.

#### WITH CONSULT-III

1. Start engine and warm it up to normal operating temperature.
2. Turn ignition switch OFF and wait at least 10 seconds.
3. Turn ignition switch ON.
4. Turn ignition switch OFF and wait at least 10 seconds.
5. Start engine and let it idle for at least 70 seconds.
6. Select "PURG FLOW P0441" of "EVAPORATIVE SYSTEM" in "DTC CONFIRMATION" mode with CONSULT-III.
7. Touch "START".  
If "COMPLETED" is displayed, go to step 7.
8. When the following conditions are met, "TESTING" will be displayed on the CONSULT-III screen. Maintain the conditions continuously until "TESTING" changes to "COMPLETED". (It will take at least 35 seconds.)

Selector lever	Suitable position
VHCL SPEED SE	32 - 120 km/h (20 - 75 MPH)
ENG SPEED	500 - 3,000 rpm
B/FUEL SCHDL	1.3 - 9.0 msec
COOLAN TEMP/S	70 - 100°C (158 - 212°F)

If "TESTING" does not change for a long time, retry from step 2.

9. Make sure that "OK" is displayed after touching "SELF-DIAG RESULTS". If "NG" is displayed, refer to [EC-227, "Diagnosis Procedure"](#).

## Overall Function Check

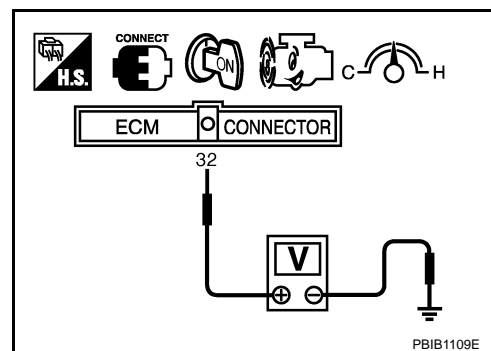
INFOID:000000004297417

Use this procedure to check the overall monitoring function of the EVAP control system purge flow monitoring. During this check, a 1st trip DTC might not be confirmed.

#### WITH GST

1. Lift up drive wheels.
2. Start engine (TCS switch or VDC switch OFF) and warm it up to normal operating temperature.
3. Turn ignition switch OFF, wait at least 10 seconds.
4. Turn ignition switch ON.
5. Turn ignition switch OFF, wait at least 10 seconds.
6. Start engine and wait at least 70 seconds.
7. Set voltmeter probes to ECM terminals 32 (EVAP control system pressure sensor signal) and ground.
8. Check EVAP control system pressure sensor value at idle speed and note it.
9. Establish and maintain the following conditions for at least 1 minute.

Air conditioner switch	ON
Headlamp switch	ON
Rear window defogger switch	ON
Engine speed	Approx. 3,000 rpm
Gear position	Any position other than P, N or R



10. Verify that EVAP control system pressure sensor value stays 0.1V less than the value at idle speed (measured at step 6) for at least 1 second.
11. If NG, go to [EC-227, "Diagnosis Procedure"](#).

## Diagnosis Procedure

INFOID:000000004297418

### 1. CHECK EVAP CANISTER

# P0441 EVAP CONTROL SYSTEM

[VQ40DE]

## < COMPONENT DIAGNOSIS >

1. Turn ignition switch OFF.
2. Check EVAP canister for cracks.

### OK or NG

- OK (With CONSULT-III)>>GO TO 2.  
OK (Without CONSULT-III)>>GO TO 3.  
NG >> Replace EVAP canister.

## 2.CHECK PURGE FLOW

### With CONSULT-III

1. Disconnect vacuum hose connected to EVAP canister purge volume control solenoid valve at EVAP service port and install vacuum gauge. For the location of EVAP service port, refer to [EC-45, "Description"](#).
2. Start engine and let it idle.
3. Select "PURG VOL CONT/V" in "ACTIVE TEST" mode with CONSULT-III.
4. Rev engine up to 2,000 rpm.
5. Touch "Qd" and "Qu" on CONSULT-III screen to adjust "PURG VOL CONT/V" opening and check vacuum existence.

PURG VOL CONT/V	Vacuum
100%	Should exist.
0%	Should not exist.

### OK or NG

- OK >> GO TO 7.  
NG >> GO TO 4.

## 3.CHECK PURGE FLOW

### Without CONSULT-III

1. Start engine and warm it up to normal operating temperature.
2. Stop engine.
3. Disconnect vacuum hose connected to EVAP canister purge volume control solenoid valve at EVAP service port and install vacuum gauge. For the location of EVAP service port, refer to [EC-45, "Description"](#).
4. Start engine and let it idle.  
**Do not depress accelerator pedal even slightly.**
5. Check vacuum gauge indication before 60 seconds pass after starting engine.

**Vacuum should not exist.**

6. Rev engine up to 2,000 rpm after 100 seconds pass after starting engine.

**Vacuum should exist.**

### OK or NG

- OK >> GO TO 7.  
NG >> GO TO 4.

## 4.CHECK EVAP PURGE LINE

1. Turn ignition switch OFF.
2. Check EVAP purge line for improper connection or disconnection.  
Refer to [EC-45, "Description"](#).

### OK or NG

- OK >> GO TO 5.  
NG >> Repair it.

## 5.CHECK EVAP PURGE HOSE AND PURGE PORT

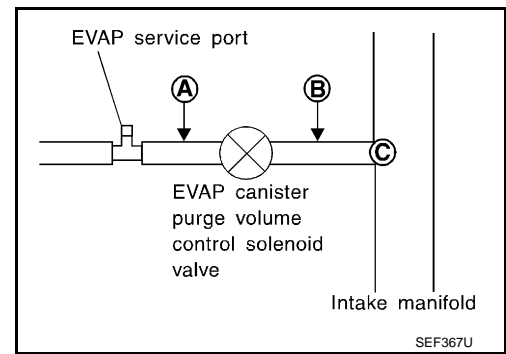


# P0441 EVAP CONTROL SYSTEM

[VQ40DE]

## < COMPONENT DIAGNOSIS >

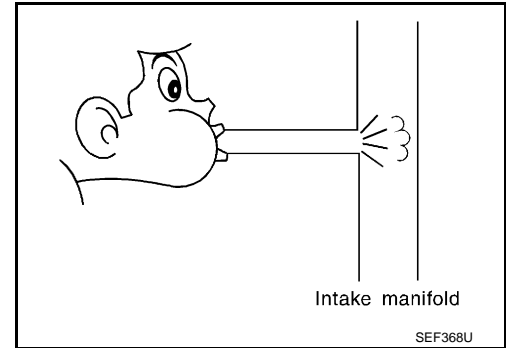
1. Disconnect purge hoses connected to EVAP service port (A) and EVAP canister purge volume control solenoid valve (B).
2. Blow air into each hose and EVAP purge port (C).



3. Check that air flows freely.

### OK or NG

- OK (With CONSULT-III)>>GO TO 6.
- OK (Without CONSULT-III)>>GO TO 7.
- NG >> Repair or clean hoses and/or purge port.



## 6.CHECK EVAP CANISTER PURGE VOLUME CONTROL SOLENOID VALVE

### With CONSULT-III

1. Start engine.
2. Perform "PURG VOL CONT/V" in "ACTIVE TEST" mode with CONSULT-III. Check that engine speed varies according to the valve opening.

### OK or NG

- OK >> GO TO 8.
- NG >> GO TO 7.

## 7.CHECK EVAP CANISTER PURGE VOLUME CONTROL SOLENOID VALVE

Refer to [EC-245, "Component Inspection"](#).

### OK or NG

- OK >> GO TO 8.
- NG >> Replace EVAP canister purge volume control solenoid valve.

## 8.CHECK EVAP CONTROL SYSTEM PRESSURE SENSOR CONNECTOR

1. Disconnect EVAP control system pressure sensor harness connector.
2. Check connectors for water.

**Water should not exist.**

### OK or NG

- OK >> GO TO 9.
- NG >> Replace EVAP control system pressure sensor.

## 9.CHECK EVAP CONTROL SYSTEM PRESSURE SENSOR FUNCTION

Refer to [EC-258, "DTC Confirmation Procedure"](#) for DTC P0452, [EC-262, "DTC Confirmation Procedure"](#) for P0453.

### OK or NG

- OK >> GO TO 10.
- NG >> Replace EVAP control system pressure sensor.

## 10.CHECK RUBBER TUBE FOR CLOGGING

1. Disconnect rubber tube connected to EVAP canister vent control valve.

# P0441 EVAP CONTROL SYSTEM

[VQ40DE]

## < COMPONENT DIAGNOSIS >

2. Check the rubber tube for clogging.

### OK or NG

OK >> GO TO 11.

NG >> Clean the rubber tube using an air blower.

## 11.CHECK DRAIN FILTER

Refer to [EC-230, "Component Inspection"](#).

### OK or NG

OK >> GO TO 10.

NG >> Replace drain filter.

## 12.CHECK EVAP CANISTER VENT CONTROL VALVE

Refer to [EC-248, "Component Inspection"](#).

### OK or NG

OK >> GO TO 13.

NG >> Replace EVAP canister vent control valve.

## 13.CHECK EVAP PURGE LINE

Inspect EVAP purge line (pipe and rubber tube). Check for evidence of leaks.

Refer to [EC-45, "Description"](#).

### OK or NG

OK >> GO TO 14.

NG >> Replace it.

## 14.CLEAN EVAP PURGE LINE

Clean EVAP purge line (pipe and rubber tube) using air blower.

>> GO TO 15.

## 15.CHECK INTERMITTENT INCIDENT

Refer to [GI-49, "Intermittent Incident"](#).

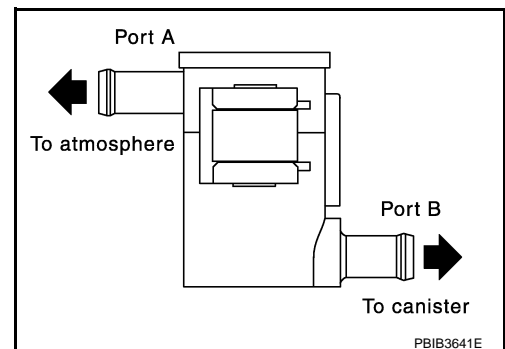
>> **INSPECTION END**

## Component Inspection

INFOID:000000004297419

### DRAIN FILTER

1. Check visually for insect nests in the drain filter air inlet.
2. Check visually for cracks or flaws in the appearance.
3. Check visually for cracks or flaws in the hose.
4. Blow air into port A and check that it flows freely out of port B.
5. Block port B.
6. Blow air into port A and check that there is no leakage.
7. If NG, replace drain filter.



# P0442 EVAP CONTROL SYSTEM

< COMPONENT DIAGNOSIS >

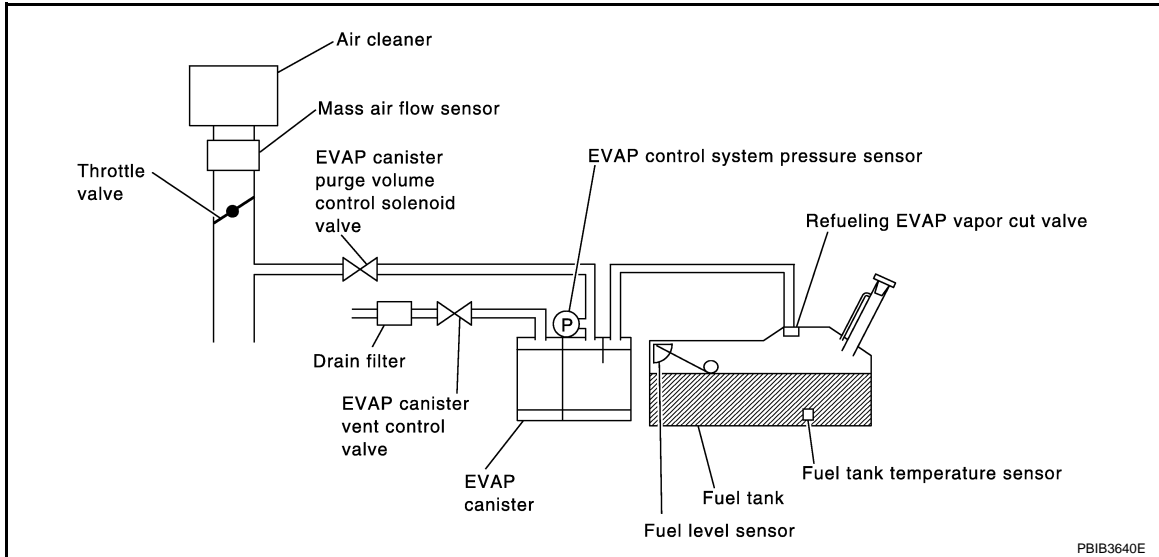
[VQ40DE]

## P0442 EVAP CONTROL SYSTEM

### On Board Diagnosis Logic

INFOID:000000004297420

This diagnosis detects leaks in the EVAP purge line using engine intake manifold vacuum. If pressure does not increase, the ECM will check for leaks in the line between the fuel tank and EVAP canister purge volume control solenoid valve, under the following Vacuum test conditions. The EVAP canister vent control valve is closed to shut the EVAP purge line off. The EVAP canister purge volume control solenoid valve will then be opened to depressurize the EVAP purge line using intake manifold vacuum. After this occurs, the EVAP canister purge volume control solenoid valve will be closed.



DTC No.	Trouble diagnosis name	DTC detecting condition	Possible cause
P0442 0442	EVAP control system small leak detected (negative pressure)	EVAP control system has a leak, EVAP control system does not operate properly.	<ul style="list-style-type: none"> <li>• Incorrect fuel tank vacuum relief valve</li> <li>• Incorrect fuel filler cap used</li> <li>• Fuel filler cap remains open or fails to close.</li> <li>• Foreign matter caught in fuel filler cap.</li> <li>• Leak is in line between intake manifold and EVAP canister purge volume control solenoid valve.</li> <li>• Foreign matter caught in EVAP canister vent control valve.</li> <li>• EVAP canister or fuel tank leaks</li> <li>• EVAP purge line (pipe and rubber tube) leaks</li> <li>• EVAP purge line rubber tube bent</li> <li>• Loose or disconnected rubber tube</li> <li>• EVAP canister vent control valve and the circuit</li> <li>• EVAP canister purge volume control solenoid valve and the circuit</li> <li>• Fuel tank temperature sensor</li> <li>• O-ring of EVAP canister vent control valve is missing or damaged</li> <li>• Drain filter</li> <li>• EVAP canister is saturated with water</li> <li>• EVAP control system pressure sensor</li> <li>• Fuel level sensor and the circuit</li> <li>• Refueling EVAP vapor cut valve</li> <li>• ORVR system leaks</li> </ul>

**CAUTION:**

- Use only a genuine NISSAN fuel filler cap as a replacement. If an incorrect fuel filler cap is used, the MIL may illuminate.
- If the fuel filler cap is not tightened properly, the MIL may illuminate.
- Use only a genuine NISSAN rubber tube as a replacement.

# P0442 EVAP CONTROL SYSTEM

< COMPONENT DIAGNOSIS >

[VQ40DE]

INFOID:000000004297421

## DTC Confirmation Procedure

### NOTE:

If DTC Confirmation Procedure has been previously conducted, always perform the following before conducting the next step.

1. Turn ignition switch OFF and wait at least 10 seconds.
2. Turn ignition switch ON.
3. Turn ignition switch OFF and wait at least 10 seconds.

### TESTING CONDITION:

- Perform "DTC WORK SUPPORT" when the fuel level is between 1/4 and 3/4 full, and vehicle is placed on flat level surface.
- Always perform test at a temperature of 0 to 30°C (32 to 86°F).

### Ⓜ WITH CONSULT-III

1. Turn ignition switch ON.
2. Turn ignition switch OFF and wait at least 10 seconds.
3. Turn ignition switch ON and select "DATA MONITOR" mode with CONSULT-III.
4. Make sure that the following conditions are met.  
**COOLAN TEMP/S: 0 - 70°C (32 - 158°F)**  
**INT/A TEMP SE: 0 - 30°C (32 - 86°F)**
5. Select "EVP SML LEAK P0442/P1442" of "EVAPORATIVE SYSTEM" in "DTC WORK SUPPORT" mode with CONSULT-III.

Follow the instructions displayed.

### NOTE:

If the engine speed cannot be maintained within the range displayed on the CONSULT-III screen, go to [EC-20, "Basic Inspection"](#).

6. Make sure that "OK" is displayed.  
If "NG" is displayed, refer to [EC-232, "Diagnosis Procedure"](#).

### NOTE:

**Make sure that EVAP hoses are connected to EVAP canister purge volume control solenoid valve properly.**

### Ⓜ WITH GST

### NOTE:

Be sure to read the explanation of Driving Pattern ON [EC-459](#) before driving vehicle.

1. Start engine.
  2. Drive vehicle according to Driving Pattern, [EC-459](#).
  3. Stop vehicle.
  4. Turn ignition switch OFF, wait at least 10 seconds.
  5. Turn ignition switch ON.
  6. Turn ignition switch OFF, wait at least 10 seconds and then turn ON.
  7. Select Service \$07 with GST.
- If P0442 is displayed on the screen, go to [EC-232, "Diagnosis Procedure"](#).
  - If P0441 is displayed on the screen, go to [EC-227, "Diagnosis Procedure"](#).

## Diagnosis Procedure

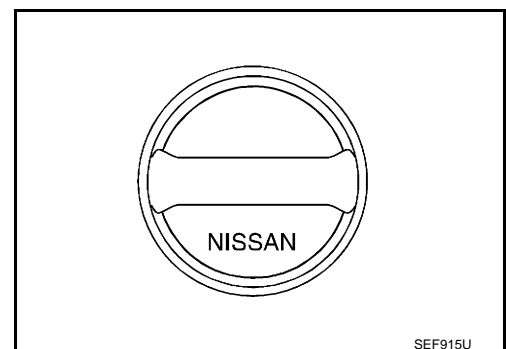
INFOID:000000004297422

### 1. CHECK FUEL FILLER CAP DESIGN

1. Turn ignition switch OFF.
2. Check for genuine NISSAN fuel filler cap design.

### OK or NG

- OK >> GO TO 2.  
NG >> Replace with genuine NISSAN fuel filler cap.



SEF915U

# P0442 EVAP CONTROL SYSTEM

< COMPONENT DIAGNOSIS >

[VQ40DE]

## 2. CHECK FUEL FILLER CAP INSTALLATION

Check that the cap is tightened properly by rotating the cap clockwise.

OK or NG

OK >> GO TO 3.

- NG >> 1. Open fuel filler cap, then clean cap and fuel filler neck threads using air blower.  
2. Retighten until ratcheting sound is heard.

## 3. CHECK FUEL FILLER CAP FUNCTION

Check for air releasing sound while opening the fuel filler cap.

OK or NG

OK >> GO TO 5.

NG >> GO TO 4.

## 4. CHECK FUEL TANK VACUUM RELIEF VALVE

Refer to [EC-237, "Component Inspection"](#).

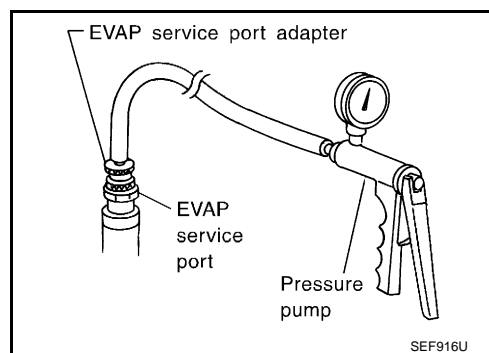
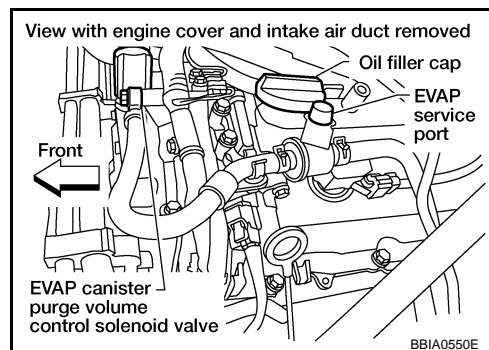
OK or NG

OK >> GO TO 5.

NG >> Replace fuel filler cap with a genuine one.

## 5. INSTALL THE PRESSURE PUMP

To locate the EVAP leak, install EVAP service port adapter and pressure pump to EVAP service port securely. For the location of EVAP service port, refer to [EC-45, "Description"](#).



### NOTE:

Improper installation of the EVAP service port adapter to the EVAP service port may cause leaking.

With CONSULT-III>>GO TO 6.

Without CONSULT-III>>GO TO 7.

## 6. CHECK FOR EVAP LEAK

### With CONSULT-III

1. Turn ignition switch ON.
2. Select "EVAP SYSTEM CLOSE" of "WORK SUPPORT" mode with CONSULT-III.
3. Touch "START" and apply pressure into the EVAP line until the pressure indicator reaches the middle of the bar graph.

**CAUTION:**

# P0442 EVAP CONTROL SYSTEM

[VQ40DE]

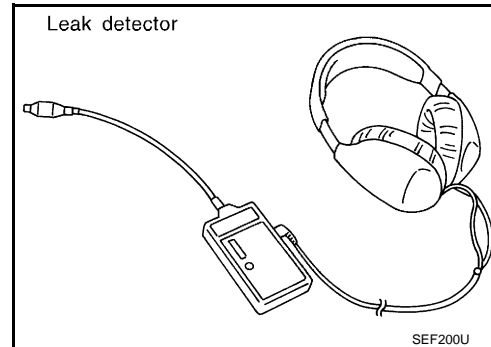
## < COMPONENT DIAGNOSIS >

- Never use compressed air or a high pressure pump.
- Never exceed 4.12 kPa (0.042 kg/cm<sup>2</sup>, 0.6 psi) of pressure in the system.

4. Using EVAP leak detector, locate the EVAP leak. For the leak detector, refer to the instruction manual for more details. Refer to [EC-45. "Description"](#).

### OK or NG

- OK >> GO TO 8.  
NG >> Repair or replace.



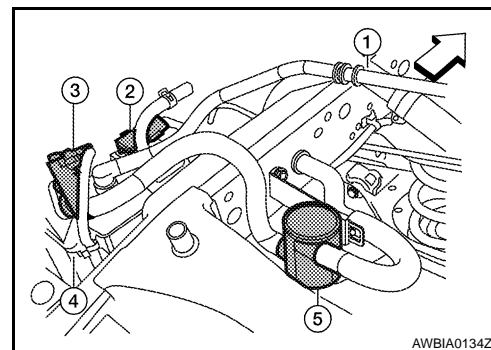
## 7. CHECK FOR EVAP LEAK

### ⊗ Without CONSULT-III

1. Turn ignition switch OFF.
2. Apply 12 volts DC to EVAP canister vent control valve (3). The valve will close. (Continue to apply 12 volts until the end of test.)
  - Fuel filler pipe (top of frame view) (1)
  - EVAP control system pressure sensor (2)
  - EVAP canister (4)
  - Drain filter (5)
  - ⇐: Vehicle front
3. Pressurize the EVAP line using pressure pump with 1.3 to 2.7 kPa (10 to 20 mmHg, 0.39 to 0.79 inHg), then remove pump and EVAP service port adapter.

### CAUTION:

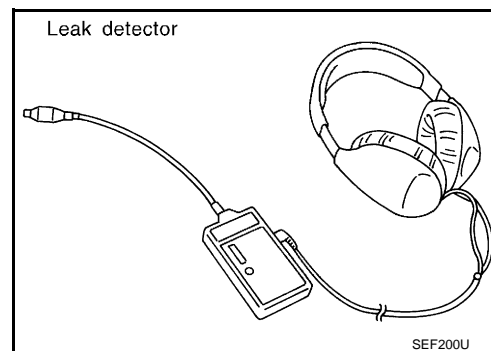
- Never use compressed air or a high pressure pump.
- Never exceed 4.12 kPa (0.042 kg/cm<sup>2</sup>, 0.6 psi) of pressure in the system.



4. Using EVAP leak detector, locate the EVAP leak. For the leak detector, refer to the instruction manual for more details. Refer to [EC-45. "Description"](#).

### OK or NG

- OK >> GO TO 8.  
NG >> Repair or replace.



## 8. CHECK DRAIN FILTER

Refer to .

### OK or NG

- OK >> GO TO 9.  
NG >> Replace drain filter.

## 9. CHECK EVAP CANISTER VENT CONTROL VALVE

Check the following.

- EVAP canister vent control valve is installed properly. Refer to [EC-487. "Removal and Installation"](#).
- EVAP canister vent control valve. Refer to [EC-248. "Component Inspection"](#).

### OK or NG

- OK >> GO TO 10.

# P0442 EVAP CONTROL SYSTEM

[VQ40DE]

## < COMPONENT DIAGNOSIS >

NG >> Repair or replace EVAP canister vent control valve and O-ring.

### 10. CHECK IF EVAP CANISTER IS SATURATED WITH WATER

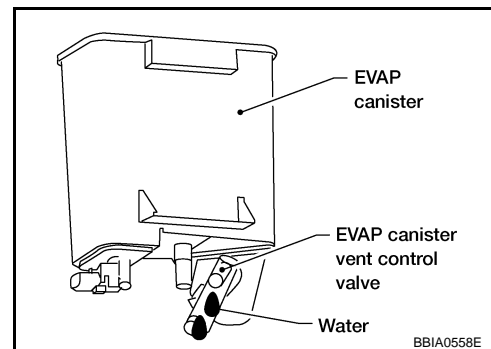
1. Remove EVAP canister with EVAP canister vent control valve and EVAP control system pressure sensor attached.
2. Does water drain from the EVAP canister?

#### Yes or No

Yes >> GO TO 11.

No (With CONSULT-III) >> GO TO 13.

No (Without CONSULT-III) >> GO TO 14.



### 11. CHECK EVAP CANISTER

Weigh the EVAP canister with the EVAP canister vent control valve and EVAP control system pressure sensor attached.

**The weight should be less than 2.0 kg (4.4 lb).**

#### OK or NG

OK (With CONSULT-III) >> GO TO 13.

OK (Without CONSULT-III) >> GO TO 14.

NG >> GO TO 12.

### 12. DETECT MALFUNCTIONING PART

Check the following.

- EVAP canister for damage
- EVAP hose between EVAP canister and drain filter for clogging or poor connection

>> Repair hose or replace EVAP canister.

### 13. CHECK EVAP CANISTER PURGE VOLUME CONTROL SOLENOID VALVE OPERATION

#### With CONSULT-III

1. Disconnect vacuum hose from EVAP canister purge volume control solenoid valve at EVAP service port.
2. Start engine.
3. Perform "PURG VOL CONT/V" in "ACTIVE TEST" mode.
4. Touch "Qu" on CONSULT-III screen to increase "PURG VOL CONT/V" opening to 100%.
5. Check vacuum hose for vacuum when revving engine up to 2,000 rpm.

#### OK or NG

OK >> GO TO 17.

NG >> GO TO 15.

### 14. CHECK EVAP CANISTER PURGE VOLUME CONTROL SOLENOID VALVE OPERATION

#### Without CONSULT-III

1. Start engine and warm it up to normal operating temperature.
2. Stop engine.
3. Disconnect vacuum hose from EVAP canister purge volume control solenoid valve at EVAP service port.
4. Start engine and let it idle for at least 80 seconds.
5. Check vacuum hose for vacuum when revving engine up to 2,000 rpm.

**Vacuum should exist.**

#### OK or NG

OK >> GO TO 16.

NG >> GO TO 15.

### 15. CHECK VACUUM HOSE

## P0442 EVAP CONTROL SYSTEM

[VQ40DE]

### < COMPONENT DIAGNOSIS >

Check vacuum hoses for clogging or disconnection. Refer to [EC-45, "Description"](#).

#### OK or NG

- OK >> GO TO 16.
- NG >> Repair or reconnect the hose.

### 16.CHECK EVAP CANISTER PURGE VOLUME CONTROL SOLENOID VALVE

Refer to [EC-245, "Component Inspection"](#).

#### OK or NG

- OK >> GO TO 17.
- NG >> Replace EVAP canister purge volume control solenoid valve.

### 17.CHECK FUEL TANK TEMPERATURE SENSOR

Refer to [EC-195, "Component Inspection"](#).

#### OK or NG

- OK >> GO TO 18.
- NG >> Replace fuel level sensor unit.

### 18.CHECK EVAP CONTROL SYSTEM PRESSURE SENSOR

Refer to [EC-261, "Component Inspection"](#).

#### OK or NG

- OK >> GO TO 19.
- NG >> Replace EVAP control system pressure sensor.

### 19.CHECK EVAP PURGE LINE

Check EVAP purge line (pipe, rubber tube, fuel tank and EVAP canister) for cracks or improper connection. Refer to [EC-45, "Description"](#).

#### OK or NG

- OK >> GO TO 20.
- NG >> Repair or reconnect the hose.

### 20.CLEAN EVAP PURGE LINE

Clean EVAP purge line (pipe and rubber tube) using air blower.

>> GO TO 21.

### 21.CHECK EVAP/ORVR LINE

Check EVAP/ORVR line between EVAP canister and fuel tank for clogging, kinks, looseness and improper connection. For location, refer to [EC-407, "System Description"](#).

#### OK or NG

- OK >> GO TO 22.
- NG >> Repair or replace hoses and tubes.

### 22.CHECK RECIRCULATION LINE

Check recirculation line between filler neck tube and fuel tank for clogging, kinks, cracks, looseness and improper connection.

#### OK or NG

- OK >> GO TO 23.
- NG >> Repair or replace hose, tube or filler neck tube.

### 23.CHECK REFUELING EVAP VAPOR CUT VALVE

Refer to [EC-410, "Component Inspection"](#).

#### OK or NG

- OK >> GO TO 24.
- NG >> Replace refueling EVAP vapor cut valve with fuel tank.

### 24.CHECK FUEL LEVEL SENSOR

Refer to [MWI-33, "Component Inspection"](#).



# P0442 EVAP CONTROL SYSTEM

[VQ40DE]

< COMPONENT DIAGNOSIS >

OK or NG

- OK >> GO TO 25.
- NG >> Replace fuel level sensor unit.

## 25. CHECK INTERMITTENT INCIDENT

Refer to [GI-49. "Intermittent Incident"](#).

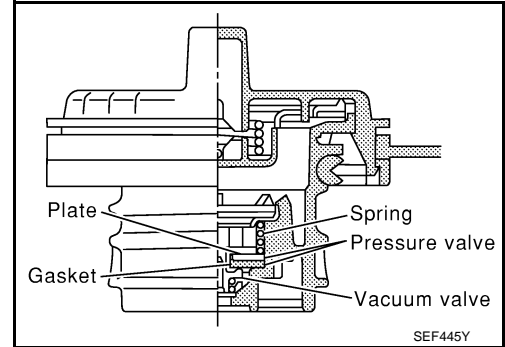
>> INSPECTION END

## Component Inspection

INFOID:000000004297423

### FUEL TANK VACUUM RELIEF VALVE (BUILT INTO FUEL FILLER CAP)

1. Wipe clean valve housing.



2. Check valve opening pressure and vacuum.

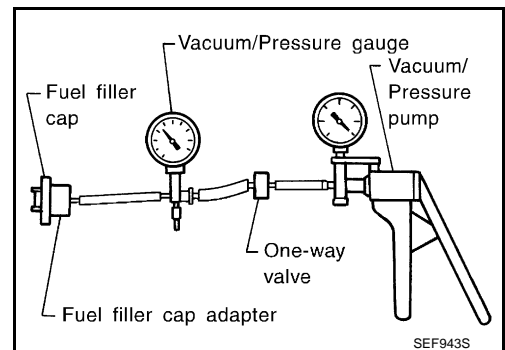
**Pressure:** 15.3 - 20.0 kPa (0.156 - 0.204 kg/cm<sup>2</sup>, 2.22 - 2.90 psi)

**Vacuum:** -6.0 to -3.3 kPa (-0.061 to -0.034 kg/cm<sup>2</sup>, -0.87 to -0.48 psi)

3. If out of specification, replace fuel filler cap as an assembly.

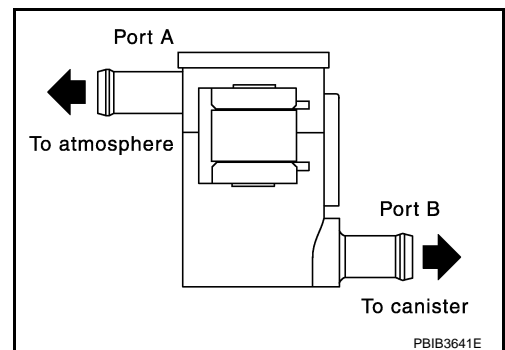
**CAUTION:**

**Use only a genuine fuel filler cap as a replacement. If an incorrect fuel filler cap is used, the MIL may illuminate.**



### DRAIN FILTER

1. Check visually for insect nests in the drain filter air inlet.
2. Check visually for cracks or flaws in the appearance.
3. Check visually for cracks or flaws in the hose.
4. Blow air into port A and check that it flows freely out of port B.
5. Block port B.
6. Blow air into port A and check that there is no leakage.
7. If NG, replace drain filter.



# P0443 EVAP CANISTER PURGE VOLUME CONTROL SOLENOID VALVE

< COMPONENT DIAGNOSIS >

[VQ40DE]

## P0443 EVAP CANISTER PURGE VOLUME CONTROL SOLENOID VALVE

### Description

INFOID:000000004297424

### SYSTEM DESCRIPTION

Sensor	Input Signal to ECM	ECM function	Actuator
Crankshaft position sensor (POS) Camshaft position sensor (PHASE)	Engine speed*1	EVAP canister purge flow control	EVAP canister purge vol- ume control solenoid valve
Mass air flow sensor	Amount of intake air		
Engine coolant temperature sensor	Engine coolant temperature		
Battery	Battery voltage*1		
Throttle position sensor	Throttle position		
Accelerator pedal position sensor	Accelerator pedal position		
Air fuel ratio (A/F) sensor 1	Density of oxygen in exhaust gas (Mixture ratio feedback signal)		
Fuel tank temperature sensor	Fuel temperature in fuel tank		
Wheel sensor	Vehicle speed*2		

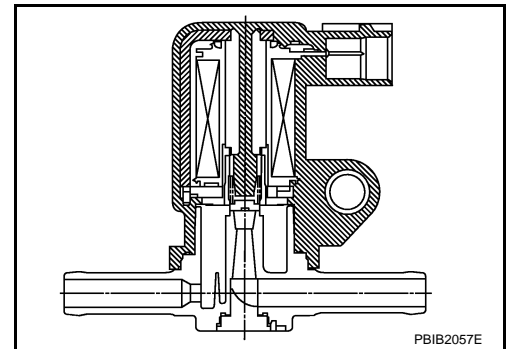
\*1: ECM determines the start signal status by the signals of engine speed and battery voltage.

\*2: This signal is sent to the ECM through CAN communication line.

This system controls flow rate of fuel vapor from the EVAP canister. The opening of the vapor by-pass passage in the EVAP canister purge volume control solenoid valve changes to control the flow rate. The EVAP canister purge volume control solenoid valve repeats ON/OFF operation according to the signal sent from the ECM. The opening of the valve varies for optimum engine control. The optimum value stored in the ECM is determined by considering various engine conditions. When the engine is operating, the flow rate of fuel vapor from the EVAP canister is regulated as the air flow changes.

### COMPONENT DESCRIPTION

The EVAP canister purge volume control solenoid valve is used to control the flow rate of fuel vapor from the EVAP canister. The EVAP canister purge volume control solenoid valve is moved by ON/OFF pulses from the ECM. The longer the ON pulse, the greater the amount of fuel vapor that will flow through the valve.



### On Board Diagnosis Logic

INFOID:000000004297425

DTC No.	Trouble diagnosis name	DTC detecting condition	Possible cause
P0443 0443	EVAP canister purge volume control solenoid valve	The canister purge flow is detected during the specified driving conditions, even when EVAP canister purge volume control solenoid valve is completely closed.	<ul style="list-style-type: none"> <li>• EVAP control system pressure sensor</li> <li>• EVAP canister purge volume control solenoid valve (The valve is stuck open.)</li> <li>• EVAP canister vent control valve</li> <li>• Drain filter</li> <li>• EVAP canister</li> <li>• Hoses (Hoses are connected incorrectly or clogged.)</li> </ul>

# P0443 EVAP CANISTER PURGE VOLUME CONTROL SOLENOID VALVE

< COMPONENT DIAGNOSIS >

[VQ40DE]

## DTC Confirmation Procedure

INFOID:000000004297426

### NOTE:

If DTC Confirmation Procedure has been previously conducted, always perform the following before conducting the next step.

1. Turn ignition switch OFF and wait at least 10 seconds.
2. Turn ignition switch ON.
3. Turn ignition switch OFF and wait at least 10 seconds.

### TESTING CONDITION:

Always perform test at a temperature of 5°C (41°F) or more.

#### Ⓜ WITH CONSULT-III

1. Start engine and warm it up to normal operating temperature.
2. Turn ignition switch OFF and wait at least 10 seconds.
3. Turn ignition switch ON.
4. Turn ignition switch OFF and wait at least 10 seconds and then turn ON.
5. Select "PURG VOL CN/V P1444" (for DTC P0443) of "EVAPORATIVE SYSTEM" in "DTC WORK SUPPORT" mode with CONSULT-III.
6. Touch "START".
7. Start engine and let it idle until "TESTING" on CONSULT-III changes to "COMPLETED". (It will take approximately 10 seconds.)  
If "TESTING" is not displayed after 5 minutes, retry from step 2.
8. Make sure that "OK" is displayed after touching "SELF-DIAG RESULTS". If "NG" is displayed, refer to [EC-239, "Diagnosis Procedure"](#).

#### Ⓜ WITH GST

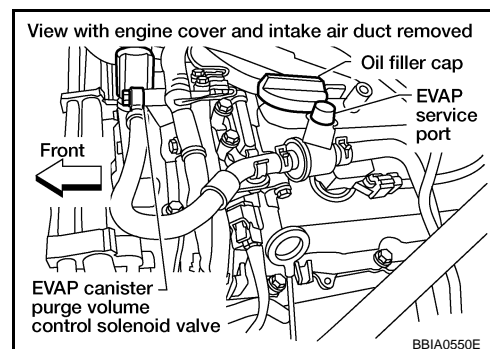
1. Start engine and warm it up to normal operating temperature.
2. Turn ignition switch OFF and wait at least 10 seconds.
3. Turn ignition switch ON.
4. Turn ignition switch OFF and wait at least 10 seconds.
5. Start engine and let it idle for at least 20 seconds.
6. Select Service \$07 with GST.
7. If 1st trip DTC is detected, go to [EC-239, "Diagnosis Procedure"](#).

## Diagnosis Procedure

INFOID:000000004297427

### 1. CHECK EVAP CANISTER PURGE VOLUME CONTROL SOLENOID VALVE POWER SUPPLY CIRCUIT

1. Turn ignition switch OFF.
2. Disconnect EVAP canister purge volume control solenoid valve harness connector.
3. Turn ignition switch ON.



# P0443 EVAP CANISTER PURGE VOLUME CONTROL SOLENOID VALVE

[VQ40DE]

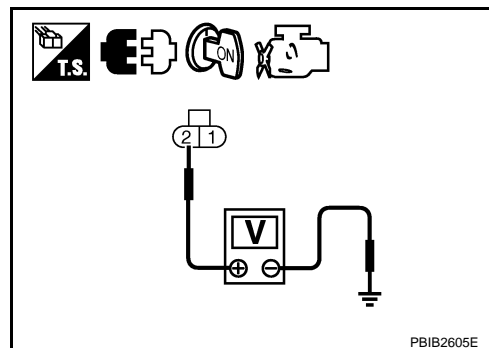
## < COMPONENT DIAGNOSIS >

4. Check voltage between EVAP canister purge volume control solenoid valve terminal 2 and ground with CONSULT-III or tester.

**Voltage: Battery voltage**

### OK or NG

- OK >> GO TO 3.  
NG >> GO TO 2.



## 2. DETECT MALFUNCTIONING PART

Check the following.

- Harness connectors E2, F32
- Harness for open or short between EVAP canister purge volume control solenoid valve and IPDM E/R
- Harness for open or short between EVAP canister purge volume control solenoid valve and ECM

>> Repair harness or connectors.

## 3. CHECK EVAP CANISTER PURGE VOLUME CONTROL SOLENOID VALVE OUTPUT SIGNAL CIRCUIT FOR OPEN AND SHORT

1. Turn ignition switch OFF.
2. Disconnect ECM harness connector.
3. Check harness continuity between ECM terminal 45 and EVAP canister purge volume control solenoid valve terminal 1. Refer to Wiring Diagram.

**Continuity should exist.**

4. Also check harness for short to ground and short to power.

### OK or NG

- OK >> GO TO 4.  
NG >> Repair open circuit or short to ground or short to power in harness or connectors.

## 4. CHECK EVAP CONTROL SYSTEM PRESSURE SENSOR CONNECTOR

1. Disconnect EVAP control system pressure sensor harness connector.
2. Check connectors for water.

**Water should not exist.**

### OK or NG

- OK >> GO TO 5.  
NG >> Replace EVAP control system pressure sensor.

## 5. CHECK EVAP CONTROL SYSTEM PRESSURE SENSOR

Refer to [EC-261, "Component Inspection"](#).

### OK or NG

- OK (With CONSULT-III) >> GO TO 6.  
OK (Without CONSULT-III) >> GO TO 7.  
NG >> Replace EVAP control system pressure sensor.

## 6. CHECK EVAP CANISTER PURGE VOLUME CONTROL SOLENOID VALVE

### With CONSULT-III

1. Turn ignition switch OFF.
2. Reconnect harness connectors disconnected.
3. Start engine.
4. Perform "PURG VOL CONT/V" in "ACTIVE TEST" mode with CONSULT-III. Check that engine speed varies according to the valve opening.

### OK or NG

# P0443 EVAP CANISTER PURGE VOLUME CONTROL SOLENOID VALVE

< COMPONENT DIAGNOSIS >

[VQ40DE]

- OK >> GO TO 8.
- NG >> GO TO 7.

## 7. CHECK EVAP CANISTER PURGE VOLUME CONTROL SOLENOID VALVE

Refer to [EC-242. "Component Inspection"](#).

OK or NG

- OK >> GO TO 8.
- NG >> Replace EVAP canister purge volume control solenoid valve.

## 8. CHECK RUBBER TUBE FOR CLOGGING

1. Disconnect rubber tube connected to EVAP canister vent control valve.
2. Check the rubber tube for clogging.

OK or NG

- OK >> GO TO 9.
- NG >> Clean the rubber tube using an air blower.

## 9. CHECK DRAIN FILTER

Refer to [EC-237. "Component Inspection"](#).

OK or NG

- OK >> GO TO 10.
- NG >> Replace drain filter.

## 10. CHECK EVAP CANISTER VENT CONTROL VALVE

Refer to [EC-248. "Component Inspection"](#).

OK or NG

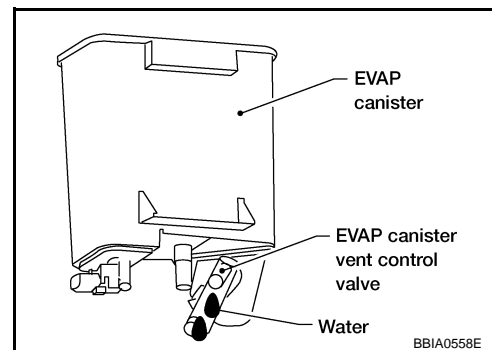
- OK >> GO TO 11.
- NG >> Replace EVAP canister vent control valve.

## 11. CHECK IF EVAP CANISTER IS SATURATED WITH WATER

1. Remove EVAP canister with EVAP canister vent control valve and EVAP control system pressure sensor attached.
2. Check if water will drain from the EVAP canister.

Yes or No

- Yes >> GO TO 12.
- No >> GO TO 14.



## 12. CHECK EVAP CANISTER

Weigh the EVAP canister with the EVAP canister vent control valve and EVAP control system pressure sensor attached.

**The weight should be less than 2.0 kg (4.4 lb).**

OK or NG

- OK >> GO TO 14.
- NG >> GO TO 13.

## 13. DETECT MALFUNCTIONING PART

Check the following.

- EVAP canister for damage
- EVAP hose between EVAP canister and drain filter for clogging or poor connection

>> Repair hose or replace EVAP canister.

# P0443 EVAP CANISTER PURGE VOLUME CONTROL SOLENOID VALVE

< COMPONENT DIAGNOSIS >

[VQ40DE]

## 14. CHECK INTERMITTENT INCIDENT

Refer to [GI-49. "Intermittent Incident"](#).

>> INSPECTION END

### Component Inspection

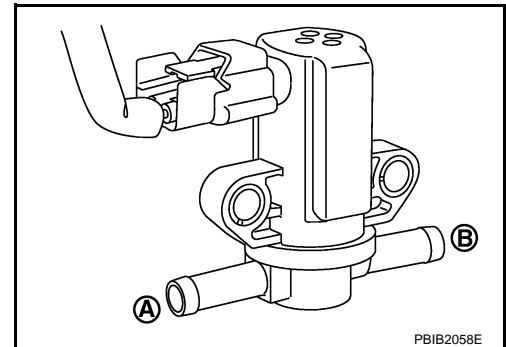
INFOID:000000004297428

#### EVAP CANISTER PURGE VOLUME CONTROL SOLENOID VALVE

 With CONSULT-III

Check air passage continuity of EVAP canister purge volume control solenoid valve under the following conditions.

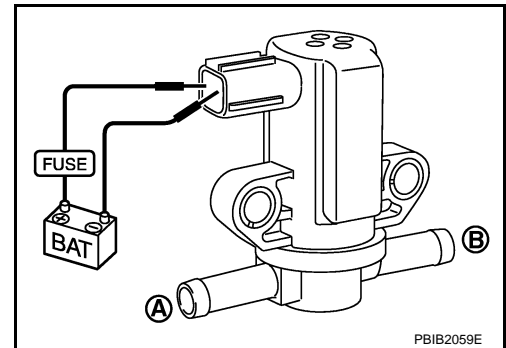
Condition (PURG VOL CONT/V value)	Air passage continuity between (A) and (B)
100%	Yes
0%	No



 Without CONSULT-III

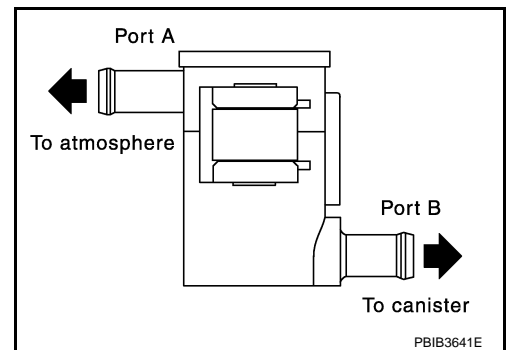
Check air passage continuity of EVAP canister purge volume control solenoid valve under the following conditions.

Condition	Air passage continuity between (A) and (B)
12V direct current supply between terminals 1 and 2	Yes
No supply	No



#### DRAIN FILTER

1. Check visually for insect nests in the drain filter air inlet.
2. Check visually for cracks or flaws in the appearance.
3. Check visually for cracks or flaws in the hose.
4. Blow air into port A and check that it flows freely out of port B.
5. Block port B.
6. Blow air into port A and check that there is no leakage.
7. If NG, replace drain filter.



# P0444, P0445 EVAP CANISTER PURGE VOLUME CONTROL SOLENOID VALVE

< COMPONENT DIAGNOSIS >

[VQ40DE]

## P0444, P0445 EVAP CANISTER PURGE VOLUME CONTROL SOLENOID VALVE

### Description

INFOID:000000004297429

### SYSTEM DESCRIPTION

Sensor	Input signal to ECM	ECM function	Actuator
Crankshaft position sensor (POS) Camshaft position sensor (PHASE)	Engine speed*1	EVAP canister purge flow control	EVAP canister purge vol- ume control solenoid valve
Mass air flow sensor	Amount of intake air		
Engine coolant temperature sensor	Engine coolant temperature		
Battery	Battery voltage*1		
Throttle position sensor	Throttle position		
Accelerator pedal position sensor	Accelerator pedal position		
Air fuel ratio (A/F) sensor 1	Density of oxygen in exhaust gas (Mixture ratio feedback signal)		
Fuel tank temperature sensor	Fuel temperature in fuel tank		
Wheel sensor	Vehicle speed*2		

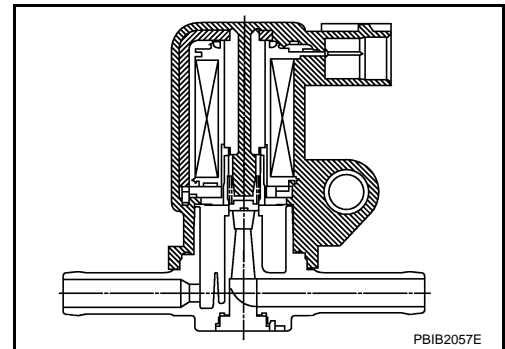
\*1: ECM determines the start signal status by the signals of engine speed and battery voltage.

\*2: This signal is sent to the ECM through CAN communication line.

This system controls flow rate of fuel vapor from the EVAP canister. The opening of the vapor by-pass passage in the EVAP canister purge volume control solenoid valve changes to control the flow rate. The EVAP canister purge volume control solenoid valve repeats ON/OFF operation according to the signal sent from the ECM. The opening of the valve varies for optimum engine control. The optimum value stored in the ECM is determined by considering various engine conditions. When the engine is operating, the flow rate of fuel vapor from the EVAP canister is regulated as the air flow changes.

### COMPONENT DESCRIPTION

The EVAP canister purge volume control solenoid valve uses a ON/OFF duty to control the flow rate of fuel vapor from the EVAP canister. The EVAP canister purge volume control solenoid valve is moved by ON/OFF pulses from the ECM. The longer the ON pulse, the greater the amount of fuel vapor that will flow through the valve.



### On Board Diagnosis Logic

INFOID:000000004297430

DTC No.	Trouble diagnosis name	DTC detecting condition	Possible cause
P0444 0444	EVAP canister purge volume control solenoid valve circuit open	An excessively low voltage signal is sent to ECM through the valve	<ul style="list-style-type: none"> <li>• Harness or connectors (The solenoid valve circuit is open or shorted.)</li> <li>• EVAP canister purge volume control solenoid valve</li> </ul>
P0445 0445	EVAP canister purge volume control solenoid valve circuit shorted	An excessively high voltage signal is sent to ECM through the valve	<ul style="list-style-type: none"> <li>• Harness or connectors (The solenoid valve circuit is shorted.)</li> <li>• EVAP canister purge volume control solenoid valve</li> </ul>

# P0444, P0445 EVAP CANISTER PURGE VOLUME CONTROL SOLENOID VALVE

< COMPONENT DIAGNOSIS >

[VQ40DE]

## DTC Confirmation Procedure

INFOID:000000004297431

### NOTE:

If DTC Confirmation Procedure has been previously conducted, always perform the following before conducting the next step.

1. Turn ignition switch OFF and wait at least 10 seconds.
2. Turn ignition switch ON.
3. Turn ignition switch OFF and wait at least 10 seconds.

### TESTING CONDITION:

**Before performing the following procedure, confirm battery voltage is more than 11V at idle.**

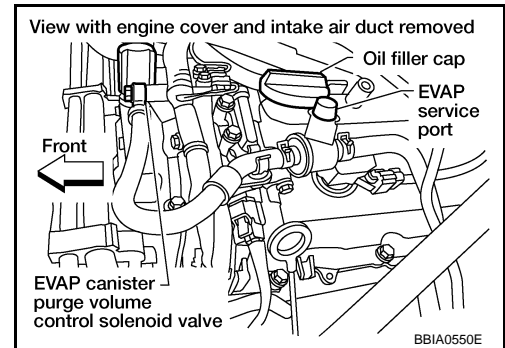
1. Start engine and let it idle for at least 13 seconds.
2. Check 1st trip DTC.
3. If 1st trip DTC is detected, go to [EC-244. "Diagnosis Procedure"](#).

## Diagnosis Procedure

INFOID:000000004297432

### 1. CHECK EVAP CANISTER PURGE VOLUME CONTROL SOLENOID VALVE POWER SUPPLY CIRCUIT

1. Turn ignition switch OFF.
2. Disconnect EVAP canister purge volume control solenoid valve harness connector.
3. Turn ignition switch ON.

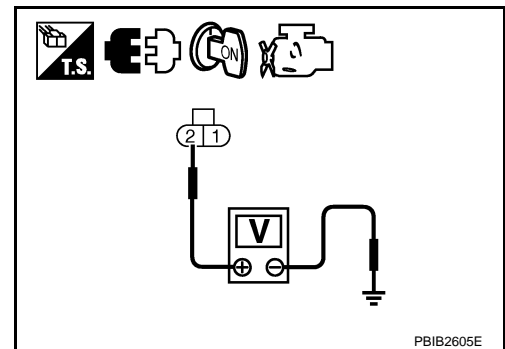


4. Check voltage between EVAP canister purge volume control solenoid valve terminal 2 and ground with CONSULT-III or tester.

**Voltage: Battery voltage**

OK or NG

- OK >> GO TO 3.  
NG >> GO TO 2.



### 2. DETECT MALFUNCTIONING PART

Check the following.

- Harness connectors E2, F32
- Harness for open or short between EVAP canister purge volume control solenoid valve and IPDM E/R
- Harness for open or short between EVAP canister purge volume control solenoid valve and ECM

>> Repair harness or connectors.

### 3. CHECK EVAP CANISTER PURGE VOLUME CONTROL SOLENOID VALVE OUTPUT SIGNAL CIRCUIT FOR OPEN AND SHORT

1. Turn ignition switch OFF.
2. Disconnect ECM harness connector.
3. Check harness continuity between ECM terminal 45 and EVAP canister purge volume control solenoid valve terminal 1. Refer to Wiring Diagram.

**Continuity should exist.**



# P0444, P0445 EVAP CANISTER PURGE VOLUME CONTROL SOLENOID VALVE

[VQ40DE]

## < COMPONENT DIAGNOSIS >

4. Also check harness for short to ground and short to power.

### OK or NG

OK (With CONSULT-III)>>GO TO 4.

OK (Without CONSULT-III)>>GO TO 5.

NG >> Repair open circuit or short to ground or short to power in harness or connectors.

## 4.CHECK EVAP CANISTER PURGE VOLUME CONTROL SOLENOID VALVE OPERATION

### With CONSULT-III

1. Reconnect all harness connectors disconnected.

2. Start engine.

3. Perform "PURG VOL CONT/V" in "ACTIVE TEST" mode with CONSULT-III. Check that engine speed varies according to the valve opening.

### OK or NG

OK >> GO TO 6.

NG >> GO TO 5.

## 5.CHECK EVAP CANISTER PURGE VOLUME CONTROL SOLENOID VALVE

Refer to [EC-245, "Component Inspection"](#).

### OK or NG

OK >> GO TO 6.

NG >> Replace EVAP canister purge volume control solenoid valve.

## 6.CHECK INTERMITTENT INCIDENT

Refer to [GI-49, "Intermittent Incident"](#).

>> **INSPECTION END**

## Component Inspection

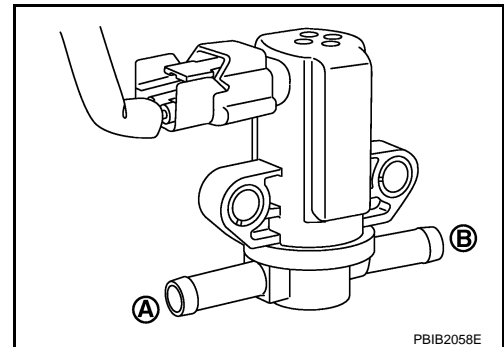
INFOID:000000004297433

## EVAP CANISTER PURGE VOLUME CONTROL SOLENOID VALVE

### With CONSULT-III

Check air passage continuity of EVAP canister purge volume control solenoid valve under the following conditions.

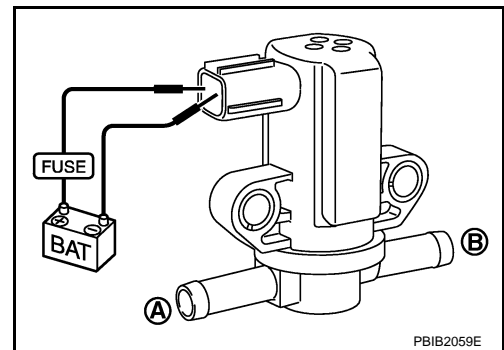
Condition (PURG VOL CONT/V value)	Air passage continuity between (A) and (B)
100%	Yes
0%	No



### Without CONSULT-III

Check air passage continuity of EVAP canister purge volume control solenoid valve under the following conditions.

Condition	Air passage continuity between (A) and (B)
12V direct current supply between terminals 1 and 2	Yes
No supply	No



# P0447 EVAP CANISTER VENT CONTROL VALVE

< COMPONENT DIAGNOSIS >

[VQ40DE]

## P0447 EVAP CANISTER VENT CONTROL VALVE

### Component Description

INFOID:000000004297434

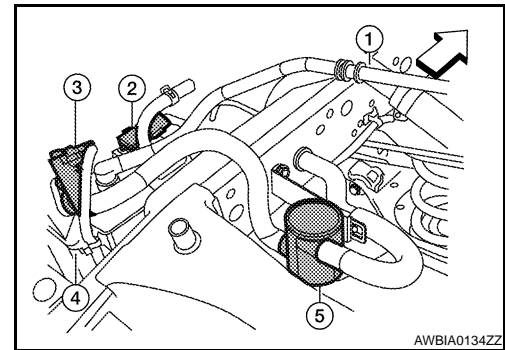
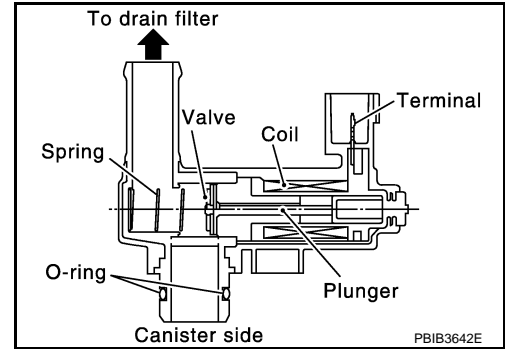
The EVAP canister vent control valve (3) is located on the EVAP canister (4) and is used to seal the canister vent.

This solenoid valve responds to signals from the ECM. When the ECM sends an ON signal, the coil in the solenoid valve is energized. A plunger will then move to seal the canister vent. The ability to seal the vent is necessary for the on board diagnosis of other evaporative emission control system components.

This solenoid valve is used only for diagnosis, and usually remains opened.

When the vent is closed, under normal purge conditions, the evaporative emission control system is depressurized and allows EVAP Control System diagnosis.

- Fuel filler pipe (top of frame view) (1)
- EVAP control system pressure sensor (2)
- Drain filter (5)
- ↖: Vehicle front



### On Board Diagnosis Logic

INFOID:000000004297435

DTC No.	Trouble diagnosis name	DTC detecting condition	Possible cause
P0447 0447	EVAP canister vent control valve circuit open	An improper voltage signal is sent to ECM through EVAP canister vent control valve.	<ul style="list-style-type: none"> <li>• Harness or connectors (The valve circuit is open or shorted.)</li> <li>• EVAP canister vent control valve</li> <li>• Drain filter</li> </ul>

### DTC Confirmation Procedure

INFOID:000000004297436

#### NOTE:

If DTC Confirmation Procedure has been previously conducted, always perform the following before conducting the next step.

1. Turn ignition switch OFF and wait at least 10 seconds.
2. Turn ignition switch ON.
3. Turn ignition switch OFF and wait at least 10 seconds.

#### TESTING CONDITION:

**Before performing the following procedure, confirm battery voltage is more than 11V at idle.**

1. Start engine and wait at least 8 seconds.
2. Check 1st trip DTC.
3. If 1st trip DTC is detected, go to [EC-246, "Diagnosis Procedure"](#).

### Diagnosis Procedure

INFOID:000000004297437

#### 1.INSPECTION START

Do you have CONSULT-III?

Yes or No

Yes >> GO TO 2.

# P0447 EVAP CANISTER VENT CONTROL VALVE

[VQ40DE]

## < COMPONENT DIAGNOSIS >

No >> GO TO 3.

### 2. CHECK EVAP CANISTER VENT CONTROL VALVE CIRCUIT

#### With CONSULT-III

1. Turn ignition switch OFF and then ON.
2. Select "VENT CONTROL/V" in "ACTIVE TEST" mode with CONSULT-III.
3. Touch "ON/OFF" on CONSULT-III screen.
4. Check for operating sound of the valve.

**Clicking noise should be heard.**

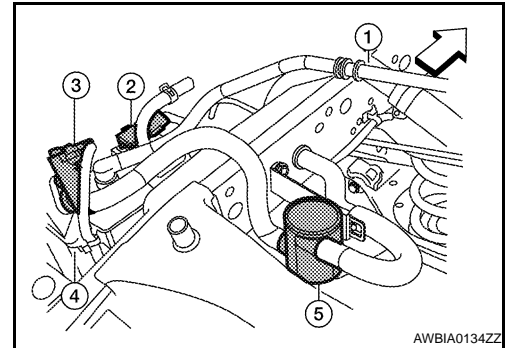
#### OK or NG

OK >> GO TO 7.

NG >> GO TO 3.

### 3. CHECK EVAP CANISTER VENT CONTROL VALVE POWER SUPPLY CIRCUIT

1. Turn ignition switch OFF.
2. Disconnect EVAP canister vent control valve (3) harness connector.
  - Fuel filler pipe (top of frame view) (1)
  - EVAP control system pressure sensor (2)
  - EVAP canister (4)
  - Drain filter (5)
  - ↔: Vehicle front
3. Turn ignition switch ON.



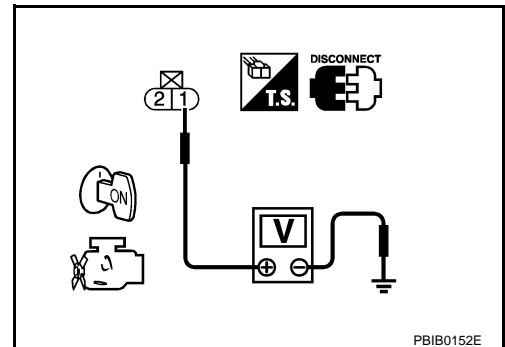
4. Check voltage between EVAP canister vent control valve terminal 1 and ground with CONSULT-III or tester.

**Voltage: Battery voltage**

#### OK or NG

OK >> GO TO 5.

NG >> GO TO 4.



### 4. DETECT MALFUNCTIONING PART

Check the following.

- Harness connectors E41, C1
- Harness for open or short between EVAP canister vent control valve and IPDM E/R

>> Repair harness or connectors.

### 5. CHECK EVAP CANISTER VENT CONTROL VALVE OUTPUT SIGNAL CIRCUIT FOR OPEN AND SHORT

1. Turn ignition switch OFF.
2. Disconnect ECM harness connector.
3. Check harness continuity between ECM terminal 117 and EVAP canister vent control valve terminal 2. Refer to Wiring Diagram.

**Continuity should exist.**

4. Also check harness for short to ground and short to power.

#### OK or NG

OK >> GO TO 7.

NG >> GO TO 6.

# P0447 EVAP CANISTER VENT CONTROL VALVE

[VQ40DE]

< COMPONENT DIAGNOSIS >

## 6. DETECT MALFUNCTIONING PART

Check the following.

- Harness connectors C1, E41
- Harness for open or short between EVAP canister vent control valve and ECM

>> Repair open circuit or short to ground or short to power in harness or connectors.

## 7. CHECK RUBBER TUBE FOR CLOGGING

1. Disconnect rubber tube connected to EVAP canister vent control valve.
2. Check the rubber tube for clogging.

OK or NG

- OK >> GO TO 8.
- NG >> Clean the rubber tube using an air blower.

## 8. CHECK DRAIN FILTER

Refer to [EC-248, "Component Inspection"](#).

OK or NG

- OK >> GO TO 9.
- NG >> Replace drain filter.

## 9. CHECK EVAP CANISTER VENT CONTROL VALVE

Refer to [EC-248, "Component Inspection"](#).

OK or NG

- OK >> GO TO 10.
- NG >> Replace EVAP canister vent control valve.

## 10. CHECK INTERMITTENT INCIDENT

Refer to [GI-49, "Intermittent Incident"](#).

>> **INSPECTION END**

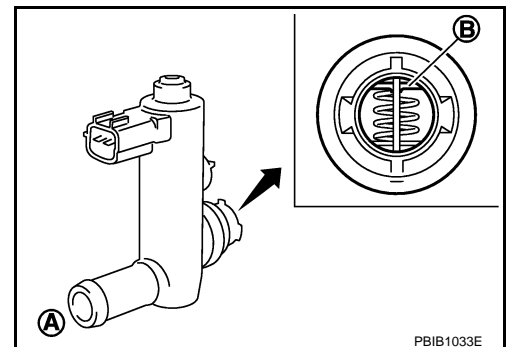
## Component Inspection

INFOID:000000004297438

### EVAP CANISTER VENT CONTROL VALVE

Ⓟ With CONSULT-III

1. Remove EVAP canister vent control valve from EVAP canister.
2. Check portion **B** of EVAP canister vent control valve for rust. If NG, replace EVAP canister vent control valve. If OK, go to next step.
3. Reconnect harness connectors disconnected.
4. Turn ignition switch ON.
5. Perform "VENT CONTROL/V" in "ACTIVE TEST" mode.
6. Check air passage continuity and operation delay time. **Check that new O-ring is installed properly.**



Condition VENT CONTROL/V	Air passage continuity between (A) and (B)
ON	No
OFF	Yes

**Operation takes less than 1 second.**

If NG, go to next step.

7. Clean the air passage (portion **A** to **B**) of EVAP canister vent control valve using an air blower.
8. Perform step 6 again.

# P0447 EVAP CANISTER VENT CONTROL VALVE

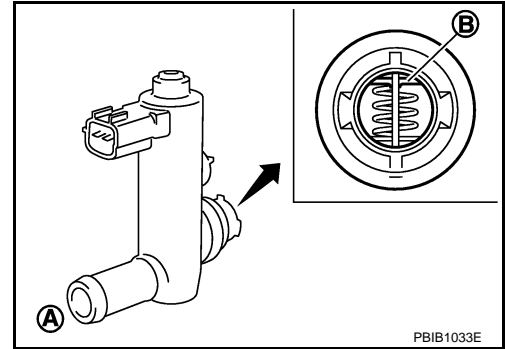
[VQ40DE]

## < COMPONENT DIAGNOSIS >

9. If NG, replace EVAP canister vent control valve.

⊗ Without CONSULT-III

1. Remove EVAP canister vent control valve from EVAP canister.
2. Check portion **B** of EVAP canister vent control valve for being rusted.



3. Check air passage continuity and operation delay time under the following conditions.  
**Check that new O-ring is installed properly.**

Condition	Air passage continuity between (A) and (B)
12V direct current supply between terminals 1 and 2	No
OFF	Yes

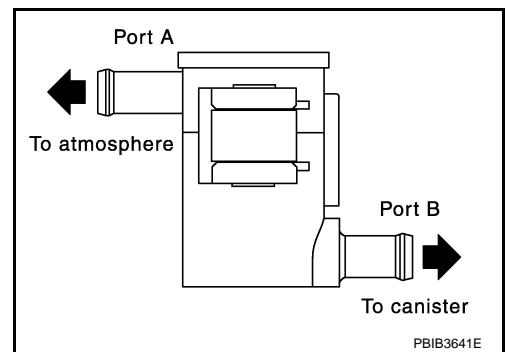
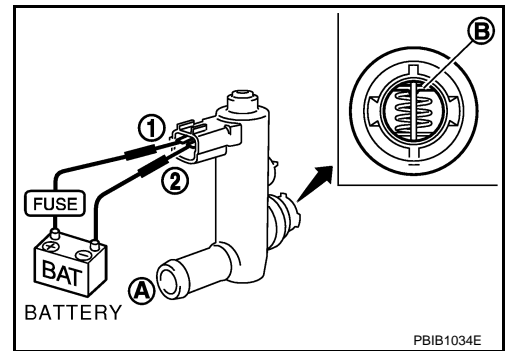
**Operation takes less than 1 second.**

If NG, go to next step.

4. Clean the air passage (portion **A** to **B**) of EVAP canister vent control valve using an air blower.
5. Perform step 3 again.
6. If NG, replace EVAP canister vent control valve.

### DRAIN FILTER

1. Check visually for insect nests in the drain filter air inlet.
2. Check visually for cracks or flaws in the appearance.
3. Check visually for cracks or flaws in the hose.
4. Blow air into port A and check that it flows freely out of port B.
5. Block port B.
6. Blow air into port A and check that there is no leakage.
7. If NG, replace drain filter.



# P0448 EVAP CANISTER VENT CONTROL VALVE

< COMPONENT DIAGNOSIS >

[VQ40DE]

## P0448 EVAP CANISTER VENT CONTROL VALVE

### Component Description

INFOID:000000004297439

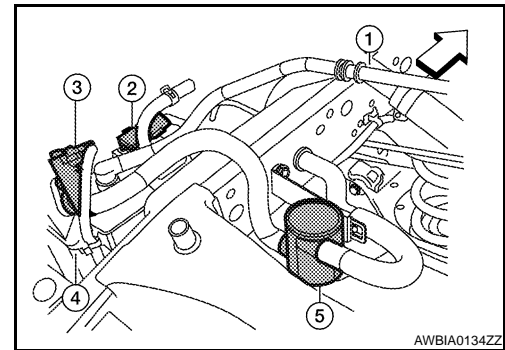
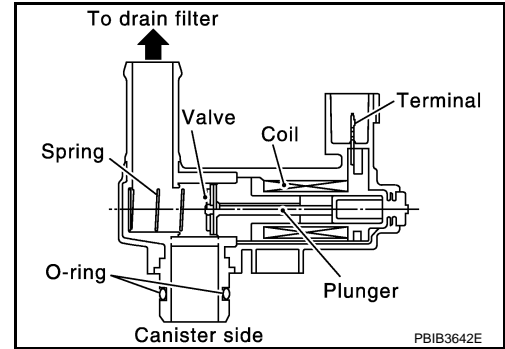
The EVAP canister vent control valve (3) is located on the EVAP canister (4) and is used to seal the canister vent.

This solenoid valve responds to signals from the ECM. When the ECM sends an ON signal, the coil in the solenoid valve is energized. A plunger will then move to seal the canister vent. The ability to seal the vent is necessary for the on board diagnosis of other evaporative emission control system components.

This solenoid valve is used only for diagnosis, and usually remains opened.

When the vent is closed, under normal purge conditions, the evaporative emission control system is depressurized and allows EVAP Control System diagnosis.

- Fuel filler pipe (top of frame view) (1)
- EVAP control system pressure sensor (2)
- Drain filter (5)
- ↖: Vehicle front



### On Board Diagnosis Logic

INFOID:000000004297440

DTC No.	Trouble diagnosis name	DTC detecting condition	Possible cause
P0448 0448	EVAP canister vent control valve close	EVAP canister vent control valve remains closed under specified driving conditions.	<ul style="list-style-type: none"> <li>• EVAP canister vent control valve</li> <li>• EVAP control system pressure sensor and the circuit</li> <li>• Blocked rubber tube to EVAP canister vent control valve</li> <li>• Drain filter</li> <li>• EVAP canister is saturated with water</li> </ul>

### DTC Confirmation Procedure

INFOID:000000004297441

#### NOTE:

If DTC Confirmation Procedure has been previously conducted, always perform the following before conducting the next step.

1. Turn ignition switch OFF and wait at least 10 seconds.
2. Turn ignition switch ON.
3. Turn ignition switch OFF and wait at least 10 seconds.

#### WITH CONSULT-III

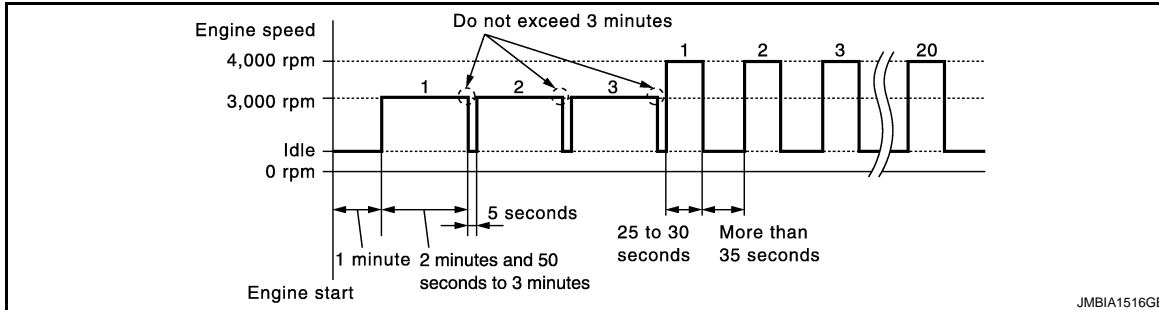
1. Turn ignition switch ON and wait at least 5 seconds.
2. Turn ignition switch OFF and wait at least 10 seconds.
3. Turn ignition switch ON and select "DATA MONITOR" mode with CONSULT-III.
4. Start engine and let it idle for at least 1 minute.
5. Repeat next procedures 3 times.

# P0448 EVAP CANISTER VENT CONTROL VALVE

[VQ40DE]

## < COMPONENT DIAGNOSIS >

- a. Increase the engine speed between 3,000 and 3,500 rpm and maintain that speed for 2 minutes and 50 seconds to 3 minutes.  
**Never exceed 3 minutes.**
- b. Fully released accelerator pedal and keep engine idle for about 5 seconds.
6. Check 1st trip DTC.
7. If 1st trip DTC is detected, go to [EC-251, "Diagnosis Procedure"](#).  
If 1st trip DTC is not detected, go to the next step.
8. Repeat next procedure 20 times.
  - a. Quickly increase the engine speed between 4,000 and 4,500 rpm or more and maintain that speed for 25 to 30 seconds.
  - b. Fully released accelerator pedal and keep engine idle for at least 35 seconds.



9. Check 1st trip DTC.
10. If 1st trip DTC is detected, go to [EC-251, "Diagnosis Procedure"](#).

### WITH GST

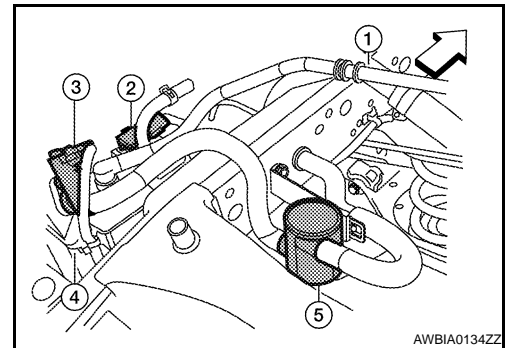
Follow the procedure "WITH CONSULT-III" above.

## Diagnosis Procedure

INFOID:000000004297442

### 1. CHECK RUBBER TUBE

1. Turn ignition switch OFF.
2. Disconnect rubber tube connected to EVAP canister vent control valve (3).
  - Fuel filler pipe (top of frame view) (1)
  - EVAP control system pressure sensor (2)
  - EVAP canister (4)
  - Drain filter (5)
  - ↵: Vehicle front
3. Check the rubber tube for clogging.



#### OK or NG

- OK >> GO TO 2.
- NG >> Clean rubber tube using an air blower.

### 2. CHECK DRAIN FILTER

Refer to [EC-248, "Component Inspection"](#).

#### OK or NG

- OK >> GO TO 3.
- NG >> Replace drain filter.

### 3. CHECK EVAP CANISTER VENT CONTROL VALVE

Refer to [EC-252, "Component Inspection"](#).

#### OK or NG

- OK >> GO TO 4.
- NG >> Replace EVAP canister vent control valve.

### 4. CHECK IF EVAP CANISTER SATURATED IS WITH WATER

# P0448 EVAP CANISTER VENT CONTROL VALVE

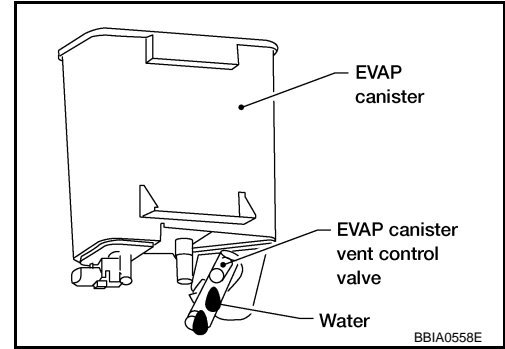
[VQ40DE]

## < COMPONENT DIAGNOSIS >

1. Remove EVAP canister with EVAP canister vent control valve and EVAP control system pressure sensor attached.
2. Check if water will drain from the EVAP canister.

### Yes or No

- Yes >> GO TO 5.  
No >> GO TO 7.



## 5. CHECK EVAP CANISTER

Weigh the EVAP canister with the EVAP canister vent control valve and EVAP control system pressure sensor attached.

**The weight should be less than 2.0 kg (4.4 lb).**

### OK or NG

- OK >> GO TO 7.  
NG >> GO TO 6.

## 6. DETECT MALFUNCTIONING PART

Check the following.

- EVAP canister for damage
- EVAP hose between EVAP canister and drain filter for clogging or poor connection

>> Repair hose or replace EVAP canister.

## 7. CHECK EVAP CONTROL SYSTEM PRESSURE SENSOR CONNECTOR

1. Disconnect EVAP control system pressure sensor harness connector.
2. Check connectors for water.

**Water should not exist.**

### OK or NG

- OK >> GO TO 8.  
NG >> Replace EVAP control system pressure sensor.

## 8. CHECK EVAP CONTROL SYSTEM PRESSURE SENSOR

Refer to [EC-261, "Component Inspection"](#).

### OK or NG

- OK >> GO TO 9.  
NG >> Replace EVAP control system pressure sensor.

## 9. CHECK INTERMITTENT INCIDENT

Refer to [GI-49, "Intermittent Incident"](#).

>> **INSPECTION END**

## Component Inspection

INFOID:000000004297443

## EVAP CANISTER VENT CONTROL VALVE

ⓐ With CONSULT-III

1. Remove EVAP canister vent control valve from EVAP canister.

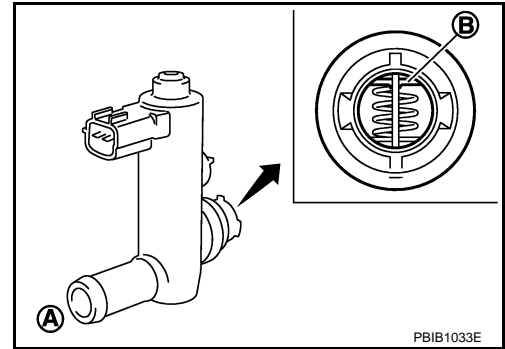


# P0448 EVAP CANISTER VENT CONTROL VALVE

[VQ40DE]

## < COMPONENT DIAGNOSIS >

2. Check portion of **B** EVAP canister vent control valve for being rusted.  
If NG, replace EVAP canister vent control valve.  
If OK, go to next step.
3. Reconnect harness connectors disconnected.
4. Turn ignition switch ON.



5. Perform "VENT CONTROL/V" in "ACTIVE TEST" mode.
6. Check air passage continuity and operation delay time.  
**Check that new O-ring is installed properly.**

Condition VENT CONTROL/V	Air passage continuity between (A) and (B)
ON	No
OFF	Yes

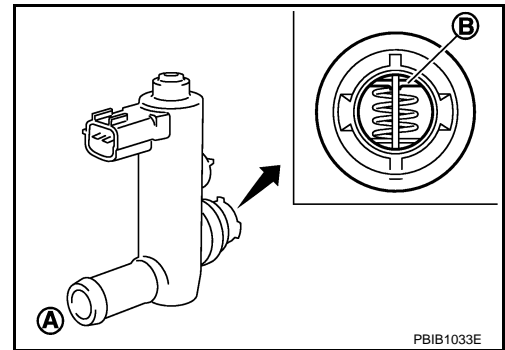
**Operation takes less than 1 second.**

If NG, go to next step.

7. Clean the air passage (portion **A** to **B**) of EVAP canister vent control valve using an air blower.
8. Perform step 6 again.
9. If NG, replace EVAP canister vent control valve.

⊗ Without CONSULT-III

1. Remove EVAP canister vent control valve from EVAP canister.
2. Check portion **B** of EVAP canister vent control valve for being rusted.



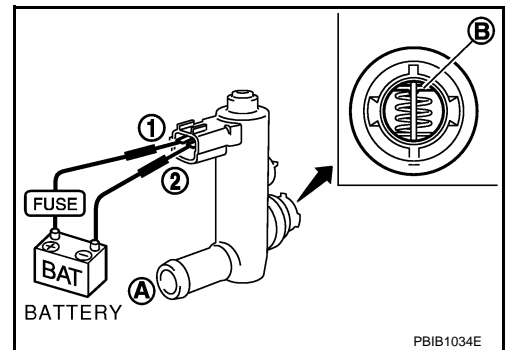
3. Check air passage continuity and operation delay time under the following conditions.  
**Check that new O-ring is installed properly.**

Condition	Air passage continuity between (A) and (B)
12V direct current supply between terminals 1 and 2	No
OFF	Yes

**Operation takes less than 1 second.**

If NG, go to next step.

4. Clean the air passage (portion **A** to **B**) of EVAP canister vent control valve using an air blower.
5. Perform step 3 again.
6. If NG, replace EVAP canister vent control valve.



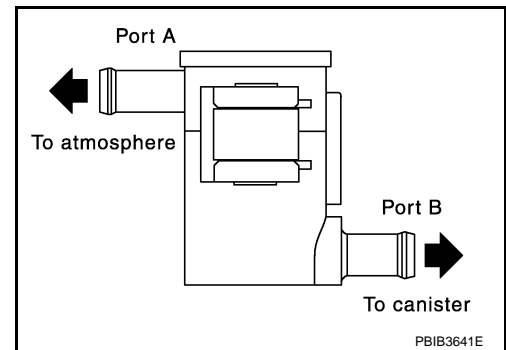
## P0448 EVAP CANISTER VENT CONTROL VALVE

[VQ40DE]

### < COMPONENT DIAGNOSIS >

#### DRAIN FILTER

1. Check visually for insect nests in the drain filter air inlet.
2. Check visually for cracks or flaws in the appearance.
3. Check visually for cracks or flaws in the hose.
4. Blow air into port A and check that it flows freely out of port B.
5. Block port B.
6. Blow air into port A and check that there is no leakage.
7. If NG, replace drain filter.



# P0451 EVAP CONTROL SYSTEM PRESSURE SENSOR

< COMPONENT DIAGNOSIS >

[VQ40DE]

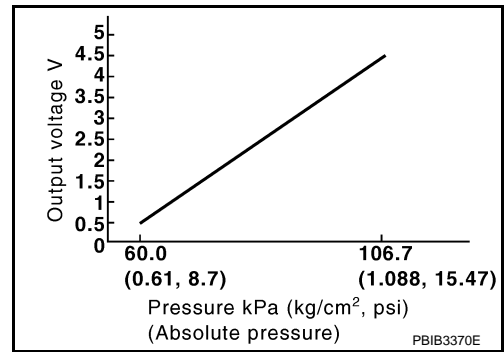
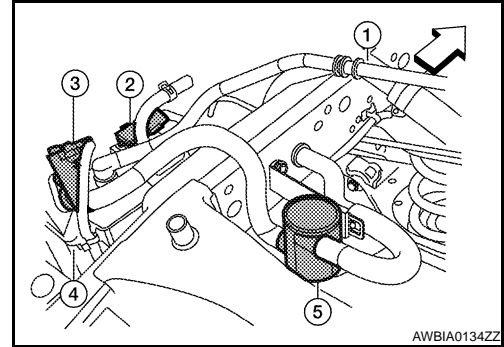
## P0451 EVAP CONTROL SYSTEM PRESSURE SENSOR

### Component Description

INFOID:000000004297444

The EVAP control system pressure sensor (2) detects pressure in the purge line. The sensor output voltage to the ECM increases as pressure increases.

- Fuel filler pipe (top of frame view) (1)
- EVAP canister vent control valve (3)
- EVAP canister (4)
- Drain filter (5)
- ⇐: Vehicle front



### On Board Diagnosis Logic

INFOID:000000004297445

If DTC P0451 is displayed with DTC P0643, first perform the trouble diagnosis for DTC P0643. Refer to [EC-302](#).

DTC No.	Trouble diagnosis name	DTC detecting condition	Possible cause
P0451 0451	EVAP control system pressure sensor performance	ECM detects a sloshing signal from the EVAP control system pressure sensor	<ul style="list-style-type: none"> <li>• Harness or connectors</li> <li>• EVAP control system pressure sensor</li> </ul>

### DTC Confirmation Procedure

INFOID:000000004297446

1. If DTC Confirmation Procedure has been previously conducted, always perform the following before conducting the next step.
  - a. Turn ignition switch OFF and wait at least 10 seconds.
  - b. Turn ignition switch ON.
  - c. Turn ignition switch OFF and wait at least 10 seconds.
2. Start engine and wait at least 40 seconds.
 

**NOTE:**  
Do not depress accelerator pedal even slightly.
3. Check 1st trip DTC.
4. If 1st trip DTC is detected, go to [EC-255, "Diagnosis Procedure"](#).

### Diagnosis Procedure

INFOID:000000004297447

#### 1. CHECK GROUND CONNECTIONS

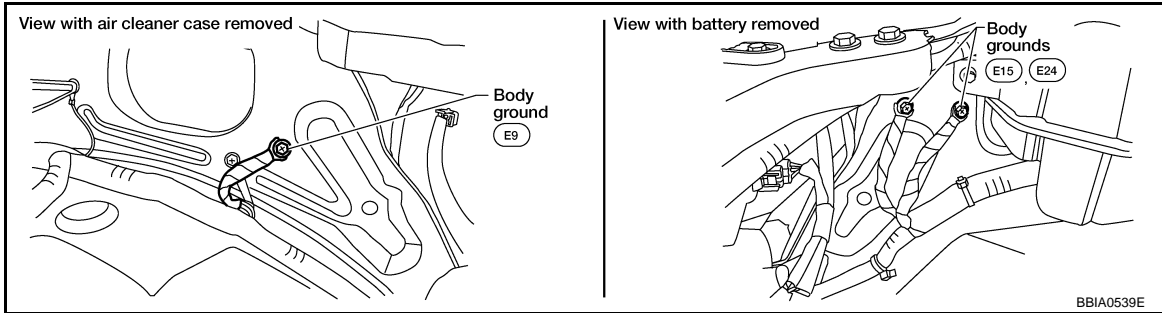
1. Turn ignition switch OFF.

# P0451 EVAP CONTROL SYSTEM PRESSURE SENSOR

[VQ40DE]

## < COMPONENT DIAGNOSIS >

- Loosen and retighten three ground screws on the body. Refer to [EC-95, "Ground Inspection"](#).

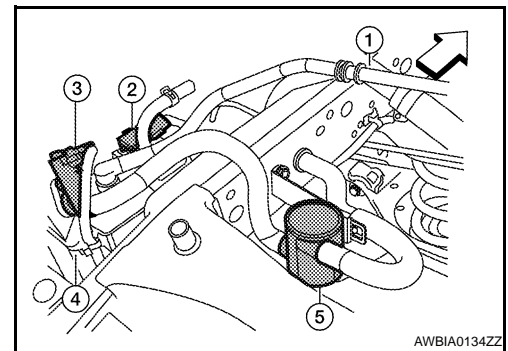


### OK or NG

- OK >> GO TO 2.
- NG >> Repair or replace ground connections.

## 2. CHECK EVAP CONTROL SYSTEM PRESSURE SENSOR CONNECTOR FOR WATER

- Disconnect EVAP control system pressure sensor (2) harness connector.
  - Fuel filler pipe (top of frame view) (1)
  - EVAP canister vent control valve (3)
  - EVAP canister (4)
  - Drain filter (5)
  - ↔: Vehicle front
- Check sensor harness connector for water.



**Water should not exist.**

### OK or NG

- OK >> GO TO 3.
- NG >> Repair or replace harness connector.

## 3. CHECK EVAP CONTROL SYSTEM PRESSURE SENSOR

Refer to [EC-256, "Component Inspection"](#).

### OK or NG

- OK >> GO TO 4.
- NG >> Replace EVAP control system pressure sensor.

## 4. CHECK INTERMITTENT INCIDENT

Refer to [GI-49, "Intermittent Incident"](#).

**>> INSPECTION END**

## Component Inspection

INFOID:000000004297448

### EVAP CONTROL SYSTEM PRESSURE SENSOR

- Remove EVAP control system pressure sensor with its harness connector connected from EVAP canister.  
**Do not reuse the O-ring, replace it with a new one.**
- Install a vacuum pump to EVAP control system pressure sensor.

# P0451 EVAP CONTROL SYSTEM PRESSURE SENSOR

[VQ40DE]

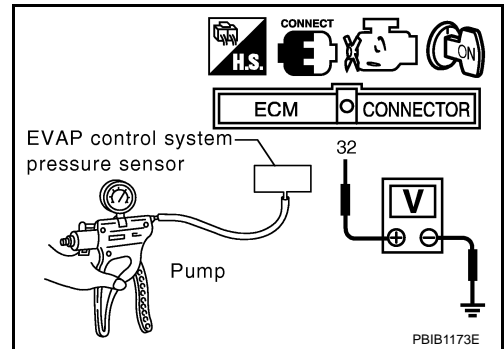
## < COMPONENT DIAGNOSIS >

- Turn ignition switch ON and check output voltage between ECM terminal 32 and ground under the following conditions.

Applied vacuum kPa (kg/cm <sup>2</sup> , psi)	Voltage V
Not applied	1.8 - 4.8
-26.7 (-0.272, -3.87)	2.1 to 2.5V lower than above value

**CAUTION:**

- Always calibrate the vacuum pump gauge when using it.
  - Never apply below -93.3 kPa (-0.952 kg/cm<sup>2</sup>, -13.53 psi) or pressure over 101.3 kPa (1.033 kg/cm<sup>2</sup>, 14.69 psi).
- If NG, replace EVAP control system pressure sensor.



A  
EC  
C  
D  
E  
F  
G  
H  
I  
J  
K  
L  
M  
N  
O  
P

# P0452 EVAP CONTROL SYSTEM PRESSURE SENSOR

< COMPONENT DIAGNOSIS >

[VQ40DE]

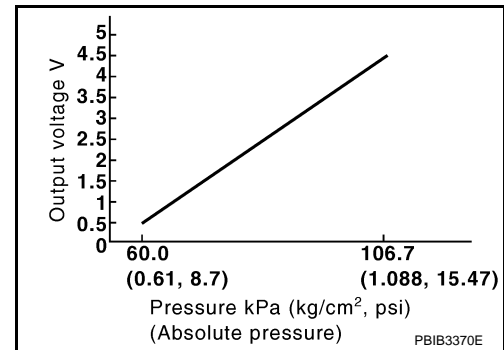
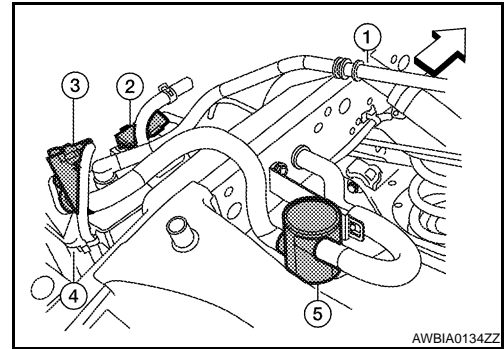
## P0452 EVAP CONTROL SYSTEM PRESSURE SENSOR

### Component Description

INFOID:000000004297449

The EVAP control system pressure sensor (2) detects pressure in the purge line. The sensor output voltage to the ECM increases as pressure increases.

- Fuel filler pipe (top of frame view) (1)
- EVAP canister vent control valve (3)
- EVAP canister (4)
- Drain filter (5)
- ↖: Vehicle front



### On Board Diagnosis Logic

INFOID:000000004297450

If DTC P0452 is displayed with DTC P0643, first perform the trouble diagnosis for DTC P0643. Refer to [EC-302](#).

DTC No.	Trouble diagnosis name	DTC detecting condition	Possible cause
P0452 0452	EVAP control system pressure sensor low input	An excessively low voltage from the sensor is sent to ECM.	<ul style="list-style-type: none"> <li>• Harness or connectors (The sensor circuit is open or shorted.)</li> <li>• EVAP control system pressure sensor</li> </ul>

### DTC Confirmation Procedure

INFOID:000000004297451

#### NOTE:

If DTC Confirmation Procedure has been previously conducted, always perform the following before conducting the next step.

1. Turn ignition switch OFF and wait at least 10 seconds.
2. Turn ignition switch ON.
3. Turn ignition switch OFF and wait at least 10 seconds.

#### TESTING CONDITION:

Always perform test at a temperature of 5°C (41°F) or more.

#### Ⓟ WITH CONSULT-III

1. Start engine and warm it up to normal operating temperature.
2. Turn ignition switch OFF and wait at least 10 seconds.
3. Turn ignition switch ON.
4. Turn ignition switch OFF and wait at least 10 seconds and then turn ON.
5. Select "DATA MONITOR" mode with CONSULT-III.
6. Make sure that "FUEL T/TMP SE" is more than 0°C (32°F).
7. Start engine and wait at least 20 seconds.
8. Check 1st trip DTC.

# P0452 EVAP CONTROL SYSTEM PRESSURE SENSOR

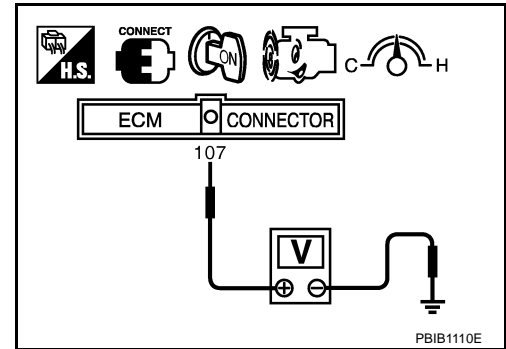
[VQ40DE]

## < COMPONENT DIAGNOSIS >

9. If 1st trip DTC is detected, go to [EC-259, "Diagnosis Procedure"](#).

### WITH GST

1. Start engine and warm it up to normal operating temperature.
2. Check that voltage between ECM terminal 107 (Fuel tank temperature sensor signal) and ground is less than 4.2V.
3. Turn ignition switch OFF and wait at least 10 seconds.
4. Turn ignition switch ON.
5. Turn ignition switch OFF and wait at least 10 seconds.
6. Start engine and wait at least 20 seconds.
7. Select Service \$07 with GST.  
If 1st trip DTC is detected, go to [EC-259, "Diagnosis Procedure"](#).

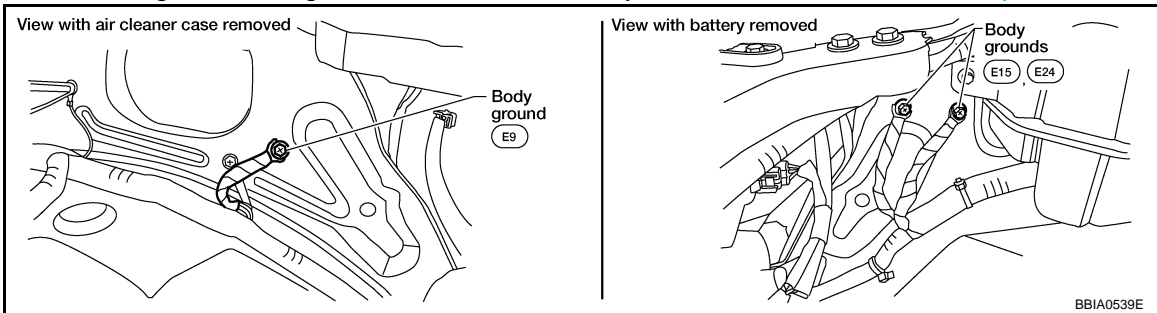


## Diagnosis Procedure

INFOID:000000004297452

### 1. CHECK GROUND CONNECTIONS

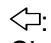
1. Turn ignition switch OFF.
2. Loosen and retighten three ground screws on the body. Refer to [EC-95, "Ground Inspection"](#).

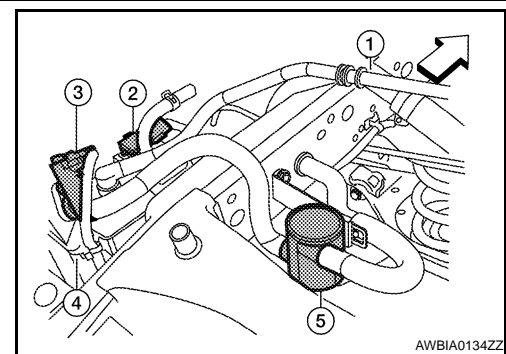


#### OK or NG

- OK >> GO TO 2.
- NG >> Repair or replace ground connections.

### 2. CHECK CONNECTOR

1. Disconnect EVAP control system pressure sensor (2) harness connector.
  - Fuel filler pipe (top of frame view) (1)
  - EVAP canister vent control valve (3)
  - EVAP canister (4)
  - Drain filter (5)
  - : Vehicle front
2. Check sensor harness connector for water.



**Water should not exist.**

#### OK or NG

- OK >> GO TO 3.
- NG >> Repair or replace harness connector.

### 3. CHECK EVAP CONTROL SYSTEM PRESSURE SENSOR POWER SUPPLY CIRCUIT

1. Turn ignition switch ON.

# P0452 EVAP CONTROL SYSTEM PRESSURE SENSOR

[VQ40DE]

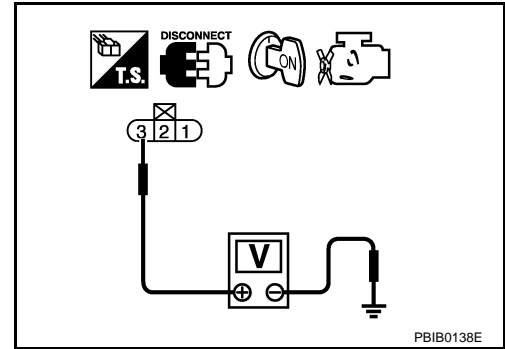
## < COMPONENT DIAGNOSIS >

2. Check voltage between EVAP control system pressure sensor terminal 3 and ground with CONSULT-III or tester.

**Voltage: Approximately 5V**

### OK or NG

- OK >> GO TO 5.
- NG >> GO TO 4.



## 4. DETECT MALFUNCTIONING PART

Check the following.

- Harness connectors C1, E41
- Harness connectors E5, F14
- Harness for open or short between EVAP control system pressure sensor and ECM

>> Repair open circuit or short to ground or short to power in harness or connectors.

## 5. CHECK EVAP CONTROL SYSTEM PRESSURE SENSOR GROUND CIRCUIT FOR OPEN AND SHORT

1. Turn ignition switch OFF.
2. Disconnect ECM harness connector.
3. Check harness continuity between EVAP control system pressure sensor terminal 1 and ECM terminal 67.  
Refer to Wiring Diagram.

**Continuity should exist.**

4. Also check harness for short to ground and short to power.

### OK or NG

- OK >> GO TO 7.
- NG >> GO TO 6.

## 6. DETECT MALFUNCTIONING PART

Check the following.

- Harness connectors C1, E41
- Harness connectors E5, F14
- Harness for open or short between EVAP control system pressure sensor and ECM

>> Repair open circuit or short to ground or short to power in harness or connectors.

## 7. CHECK EVAP CONTROL SYSTEM PRESSURE SENSOR INPUT SIGNAL CIRCUIT FOR OPEN AND SHORT

1. Check harness continuity between ECM terminal 32 and EVAP control system pressure sensor terminal 2.  
Refer to Wiring Diagram.

**Continuity should exist.**

2. Also check harness for short to ground and short to power.

### OK or NG

- OK >> GO TO 9.
- NG >> GO TO 8.

## 8. DETECT MALFUNCTIONING PART

Check the following.

- Harness connectors C1, E41
- Harness connectors E5, F14



# P0452 EVAP CONTROL SYSTEM PRESSURE SENSOR

[VQ40DE]

## < COMPONENT DIAGNOSIS >

- Harness for open or short between EVAP control system pressure sensor and ECM

>> Repair open circuit or short to ground or short to power in harness or connectors.

## 9. CHECK EVAP CONTROL SYSTEM PRESSURE SENSOR

Refer to [EC-261, "Component Inspection"](#).

OK or NG

OK >> GO TO 10.

NG >> Replace EVAP control system pressure sensor.

## 10. CHECK INTERMITTENT INCIDENT

Refer to [GI-49, "Intermittent Incident"](#).

>> INSPECTION END

## Component Inspection

INFOID:000000004297453

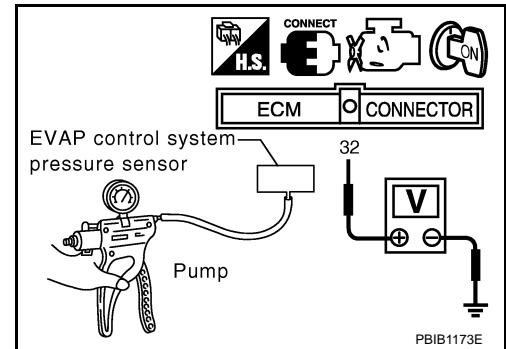
### EVAP CONTROL SYSTEM PRESSURE SENSOR

1. Remove EVAP control system pressure sensor with its harness connector connected from EVAP canister.  
**Never reuse the O-ring, replace it with a new one.**
2. Install a vacuum pump to EVAP control system pressure sensor.
3. Turn ignition switch ON and check output voltage between ECM terminal 32 and ground under the following conditions.

Applied vacuum kPa (kg/cm <sup>2</sup> , psi)	Voltage V
Not applied	1.8 - 4.8
-26.7 (-0.272, -3.87)	2.1 to 2.5V lower than above value

#### CAUTION:

- Always calibrate the vacuum pump gauge when using it.
  - Never apply below -93.3 kPa (-0.952 kg/cm<sup>2</sup>, -13.53 spi) or pressure over 101.3 kPa (1.033 kg/cm<sup>2</sup>, 14.59 psi).
4. If NG, replace EVAP control system pressure sensor.



# P0453 EVAP CONTROL SYSTEM PRESSURE SENSOR

< COMPONENT DIAGNOSIS >

[VQ40DE]

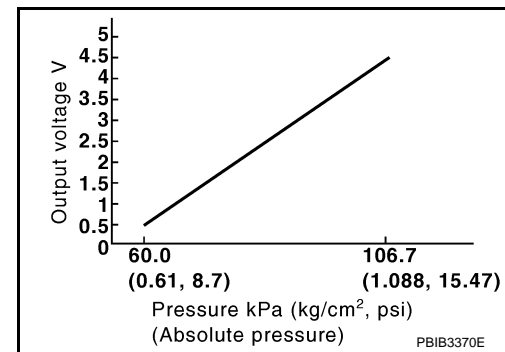
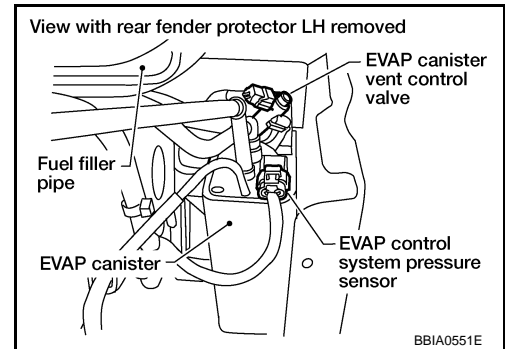
## P0453 EVAP CONTROL SYSTEM PRESSURE SENSOR

### Component Description

INFOID:000000004297454

The EVAP control system pressure sensor (2) detects pressure in the purge line. The sensor output voltage to the ECM increases as pressure increases.

- Fuel filler pipe (top of frame view) (1)
- EVAP canister vent control valve (3)
- EVAP canister (4)
- Drain filter (5)
- ↔: Vehicle front



### On Board Diagnosis Logic

INFOID:000000004297455

If DTC P0453 is displayed with DTC P0643, first perform the trouble diagnosis for DTC P0643. Refer to [EC-302](#).

DTC No.	Trouble diagnosis name	DTC detecting condition	Possible cause
P0453 0453	EVAP control system pressure sensor high input	An excessively high voltage from the sensor is sent to ECM.	<ul style="list-style-type: none"> <li>• Harness or connectors (The sensor circuit is open or shorted.)</li> <li>• EVAP control system pressure sensor</li> <li>• EVAP canister vent control valve</li> <li>• EVAP canister</li> <li>• drain filter</li> <li>• Rubber hose from EVAP canister vent control valve to vehicle frame</li> </ul>

### DTC Confirmation Procedure

INFOID:000000004297456

#### NOTE:

If DTC Confirmation Procedure has been previously conducted, always perform the following before conducting the next step.

1. Turn ignition switch OFF and wait at least 10 seconds.
2. Turn ignition switch ON.
3. Turn ignition switch OFF and wait at least 10 seconds.

#### TESTING CONDITION:

Always perform test at a temperature of 5°C (41°F) or more.

#### ④ With CONSULT-III

1. Start engine and warm it up to normal operating temperature.
2. Turn ignition switch OFF and wait at least 10 seconds.
3. Turn ignition switch ON.
4. Turn ignition switch OFF and wait at least 10 seconds and then turn ON.

# P0453 EVAP CONTROL SYSTEM PRESSURE SENSOR

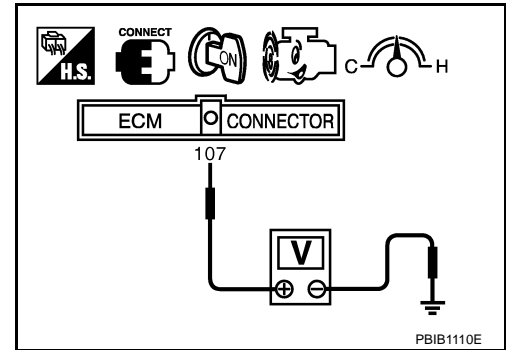
[VQ40DE]

## < COMPONENT DIAGNOSIS >

5. Select "DATA MONITOR" mode with CONSULT-III.
6. Make sure that "FUEL T/TMP SE" is more than 0°C (32°F).
7. Start engine and wait at least 20 seconds.
8. Check 1st trip DTC.
9. If 1st trip DTC is detected, go to [EC-263, "Diagnosis Procedure"](#).

### Ⓢ With GST

1. Start engine and warm it up to normal operating temperature.
2. Check that voltage between ECM terminal 107 (Fuel tank temperature sensor signal) and ground is less than 4.2V.
3. Turn ignition switch OFF and wait at least 10 seconds.
4. Turn ignition switch ON.
5. Turn ignition switch OFF and wait at least 10 seconds.
6. Start engine and wait at least 20 seconds.
7. Select Service \$07 with GST.  
If 1st trip DTC is detected, go to [EC-263, "Diagnosis Procedure"](#).

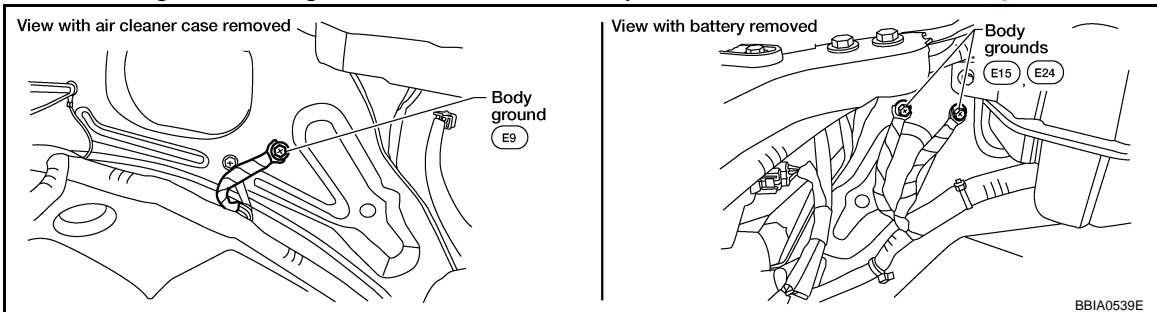


INFOID:000000004297457

## Diagnosis Procedure

### 1. CHECK GROUND CONNECTIONS

1. Turn ignition switch OFF.
2. Loosen and retighten three ground screws on the body. Refer to [EC-95, "Ground Inspection"](#).

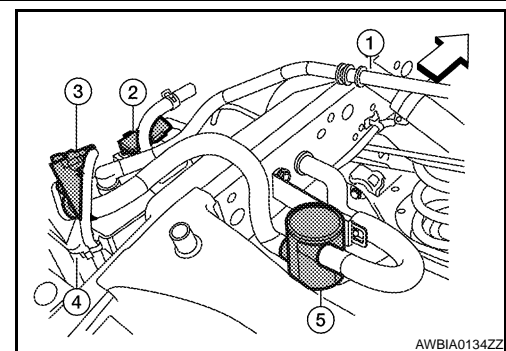


#### OK or NG

- OK >> GO TO 2.
- NG >> Repair or replace ground connections.

### 2. CHECK CONNECTOR

1. Disconnect EVAP control system pressure sensor (2) harness connector.
  - Fuel filler pipe (top of frame view) (1)
  - EVAP canister vent control valve (3)
  - EVAP canister (4)
  - Drain filter (5)
  - ⇐: Vehicle front
2. Check sensor harness connector for water.



**Water should not exist.**

#### OK or NG

- OK >> GO TO 3.
- NG >> Repair or replace harness connector.

### 3. CHECK EVAP CONTROL SYSTEM PRESSURE SENSOR POWER SUPPLY CIRCUIT

1. Turn ignition switch ON.

# P0453 EVAP CONTROL SYSTEM PRESSURE SENSOR

[VQ40DE]

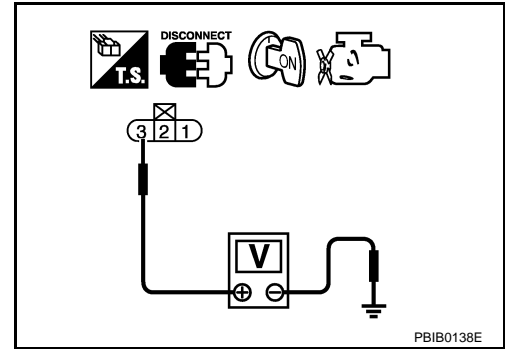
## < COMPONENT DIAGNOSIS >

2. Check voltage between EVAP control system pressure sensor terminal 3 and ground with CONSULT-III or tester.

**Voltage: Approximately 5V**

### OK or NG

- OK >> GO TO 5.
- NG >> GO TO 4.



## 4. DETECT MALFUNCTIONING PART

Check the following.

- Harness connectors C1, E41
- Harness connectors E5, F14
- Harness for open or short between EVAP control system pressure sensor and ECM

>> Repair open circuit or short to ground or short to power in harness or connectors.

## 5. CHECK EVAP CONTROL SYSTEM PRESSURE SENSOR GROUND CIRCUIT FOR OPEN AND SHORT

1. Turn ignition switch OFF.
2. Disconnect ECM harness connector.
3. Check harness continuity between EVAP control system pressure sensor terminal 1 and ECM terminal 67.  
Refer to Wiring Diagram.

**Continuity should exist.**

4. Also check harness for short to ground and short to power.

### OK or NG

- OK >> GO TO 7.
- NG >> GO TO 6.

## 6. DETECT MALFUNCTIONING PART

Check the following.

- Harness connectors C1, E41
- Harness connectors E5, F14
- Harness for open or short between EVAP control system pressure sensor and ECM

>> Repair open circuit or short to ground or short to power in harness or connectors.

## 7. CHECK EVAP CONTROL SYSTEM PRESSURE SENSOR INPUT SIGNAL CIRCUIT FOR OPEN AND SHORT

1. Check harness continuity between ECM terminal 32 and EVAP control system pressure sensor terminal 2.  
Refer to Wiring Diagram.

**Continuity should exist.**

2. Also check harness for short to ground and short to power.

### OK or NG

- OK >> GO TO 9.
- NG >> GO TO 8.

## 8. DETECT MALFUNCTIONING PART

Check the following.

- Harness connectors C1, E41
- Harness connectors E5, F14

# P0453 EVAP CONTROL SYSTEM PRESSURE SENSOR

[VQ40DE]

## < COMPONENT DIAGNOSIS >

- Harness for open or short between EVAP control system pressure sensor and ECM

>> Repair open circuit or short to ground or short to power in harness or connectors.

### 9. CHECK RUBBER TUBE

1. Disconnect rubber tube connected to EVAP canister vent control valve.
2. Check the rubber tube for clogging, vent and kinked.

#### OK or NG

- OK >> GO TO 10.
- NG >> Clean the rubber tube using an air blower, repair or replace rubber tube.

### 10. CHECK EVAP CANISTER VENT CONTROL VALVE

Refer to [EC-248. "Component Inspection"](#).

#### OK or NG

- OK >> GO TO 11.
- NG >> Replace EVAP canister vent control valve.

### 11. CHECK EVAP CONTROL SYSTEM PRESSURE SENSOR

Refer to [EC-266. "Component Inspection"](#).

#### OK or NG

- OK >> GO TO 12.
- NG >> Replace EVAP control system pressure sensor.

### 12. CHECK DRAIN FILTER

Refer to [EC-266. "Component Inspection"](#).

#### OK or NG

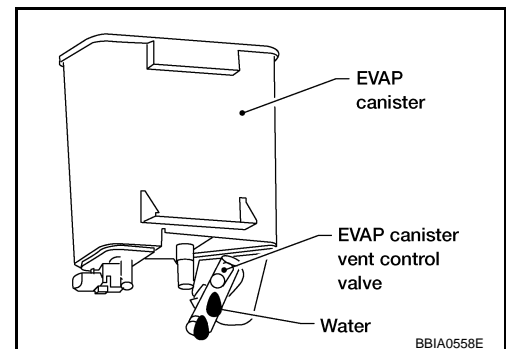
- OK >> GO TO 13.
- NG >> Replace drain filter.

### 13. CHECK IF EVAP CANISTER IS SATURATED WITH WATER

1. Remove EVAP canister with EVAP canister vent control valve and EVAP control system pressure sensor attached.
2. Check if water will drain from the EVAP canister.

#### Yes or No

- Yes >> GO TO 14.
- No >> GO TO 16.



### 14. CHECK EVAP CANISTER

Weigh the EVAP canister with the EVAP canister vent control valve and EVAP control system pressure sensor attached.

**The weight should be less than 2.0 kg (4.4 lb).**

#### OK or NG

- OK >> GO TO 16.
- NG >> GO TO 15.

### 15. DETECT MALFUNCTIONING PART

Check the following.

- EVAP canister for damage
- EVAP hose between EVAP canister and drain filter for clogging or poor connection

# P0453 EVAP CONTROL SYSTEM PRESSURE SENSOR

[VQ40DE]

## < COMPONENT DIAGNOSIS >

>> Repair hose or replace EVAP canister.

## 16.CHECK INTERMITTENT INCIDENT

Refer to [GI-49, "Intermittent Incident"](#).

>> **INSPECTION END**

## Component Inspection

INFOID:000000004297458

### EVAP CONTROL SYSTEM PRESSURE SENSOR

1. Remove EVAP control system pressure sensor with its harness connector connected from EVAP canister.  
**Always replace O-ring with a new one.**
2. Install a vacuum pump to EVAP control system pressure sensor.
3. Turn ignition switch ON and check output voltage between ECM terminal 32 and ground under the following conditions.

Applied vacuum kPa (kg/cm <sup>2</sup> , psi)	Voltage V
Not applied	1.8 - 4.8
-26.7 (-0.272, -3.87)	2.1 to 2.5V lower than above value

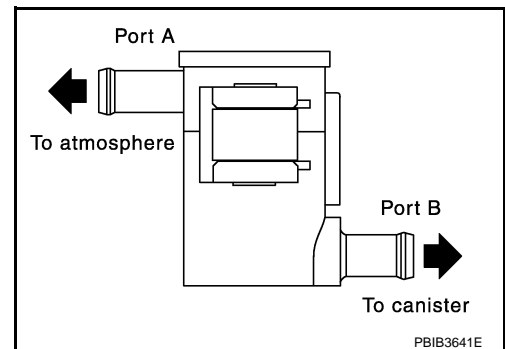
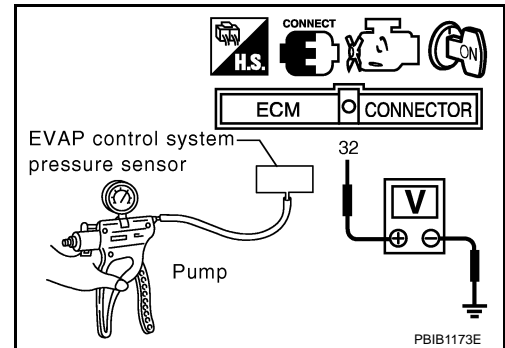
#### **CAUTION:**

- **Always calibrate the vacuum pump gauge when using it.**
- **Never apply below -93.3 kPa (-0.952 kg/cm<sup>2</sup>, -13.53 psi) or pressure over 101.3 kPa (1.033 kg/cm<sup>2</sup>, 14.59 psi).**

4. If NG, replace EVAP control system pressure sensor.

### DRAIN FILTER

1. Check visually for insect nests in the drain filter air inlet.
2. Check visually for cracks or flaws in the appearance.
3. Check visually for cracks or flaws in the hose.
4. Blow air into port A and check that it flows freely out of port B.
5. Block port B.
6. Blow air into port A and check that there is no leakage.
7. If NG, replace drain filter.



# P0455 EVAP CONTROL SYSTEM

< COMPONENT DIAGNOSIS >

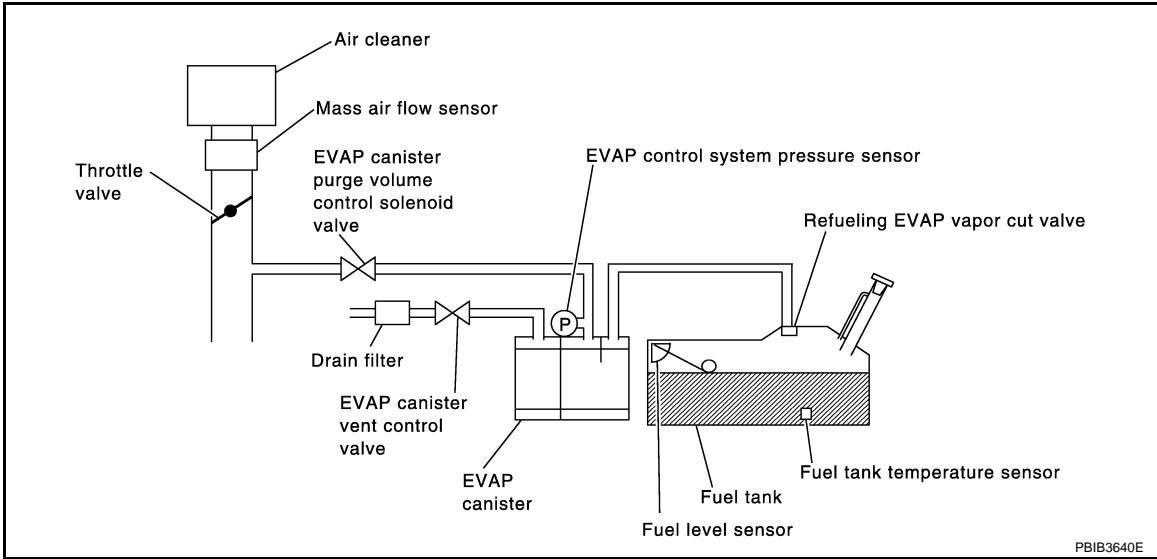
[VQ40DE]

## P0455 EVAP CONTROL SYSTEM

### On Board Diagnosis Logic

INFOID:000000004297459

This diagnosis detects a very large leak (fuel filler cap fell off etc.) in EVAP system between the fuel tank and EVAP canister purge volume control solenoid valve.



DTC No.	Trouble diagnosis name	DTC detecting condition	Possible cause
P0455 0455	EVAP control system gross leak detected	EVAP control system has a very large leak such as fuel filler cap fell off, EVAP control system does not operate properly.	<ul style="list-style-type: none"> <li>Fuel filler cap remains open or fails to close.</li> <li>Incorrect fuel tank vacuum relief valve</li> <li>Incorrect fuel filler cap used</li> <li>Foreign matter caught in fuel filler cap.</li> <li>Leak is in line between intake manifold and EVAP canister purge volume control solenoid valve.</li> <li>Foreign matter caught in EVAP canister vent control valve.</li> <li>EVAP canister or fuel tank leaks</li> <li>EVAP purge line (pipe and rubber tube) leaks</li> <li>EVAP purge line rubber tube bent.</li> <li>Loose or disconnected rubber tube</li> <li>EVAP canister vent control valve and the circuit</li> <li>EVAP canister purge volume control solenoid valve and the circuit</li> <li>Fuel tank temperature sensor</li> <li>O-ring of EVAP canister vent control valve is missing or damaged.</li> <li>EVAP control system pressure sensor</li> <li>Refueling EVAP vapor cut valve</li> <li>ORVR system leaks</li> </ul>

**CAUTION:**

- Use only a genuine NISSAN fuel filler cap as a replacement. If an incorrect fuel filler cap is used, the MIL may come on.
- If the fuel filler cap is not tightened properly, the MIL may come on.
- Use only a genuine NISSAN rubber tube as a replacement.

### DTC Confirmation Procedure

INFOID:000000004297460

**CAUTION:**

Never remove fuel filler cap during the DTC Confirmation Procedure.

**NOTE:**

# P0455 EVAP CONTROL SYSTEM

[VQ40DE]

## < COMPONENT DIAGNOSIS >

- **Make sure that EVAP hoses are connected to EVAP canister purge volume control solenoid valve properly.**
- If DTC Confirmation Procedure has been previously conducted, always perform the following before conducting the next step.
  1. Turn ignition switch OFF and wait at least 10 seconds.
  2. Turn ignition switch ON.
  3. Turn ignition switch OFF and wait at least 10 seconds.

### TESTING CONDITION:

- **Perform "DTC WORK SUPPORT" when the fuel level is between 1/4 and 3/4 full and vehicle is placed on flat level surface.**
- **Open engine hood before conducting the following procedures.**

### Ⓟ WITH CONSULT-III

1. Tighten fuel filler cap securely until ratcheting sound is heard.
2. Turn ignition switch ON.
3. Turn ignition switch OFF and wait at least 10 seconds.
4. Turn ignition switch ON and select "DATA MONITOR" mode with CONSULT-III.
5. Make sure that the following conditions are met.  
**COOLANT TEMP/S: 0 - 70°C (32 - 158°F)**  
**INT/A TEMP SE: 0 - 60°C (32 - 140°F)**
6. Select "EVP SML LEAK P0442/P1442" of "EVAPORATIVE SYSTEM" in "DTC WORK SUPPORT" mode with CONSULT-III.  
Follow the instruction displayed.  
**NOTE:**  
If the engine speed cannot be maintained within the range displayed on the CONSULT-III screen, go to [EC-20, "Basic Inspection"](#).
7. Make sure that "OK" is displayed.  
If "NG" is displayed, select "SELF-DIAG RESULTS" mode and make sure that "EVAP GROSS LEAK [P0455]" is displayed. If it is displayed, refer to [EC-268, "Diagnosis Procedure"](#).  
If P0442 is displayed, perform Diagnostic Procedure for DTC P0442 [EC-232, "Diagnosis Procedure"](#).

### Ⓟ WITH GST

#### NOTE:

Be sure to read the explanation of [EC-459, "Emission-related Diagnostic Information"](#) before driving vehicle.

1. Start engine.
2. Drive vehicle according to [EC-459, "Emission-related Diagnostic Information"](#).
3. Stop vehicle.
4. Turn ignition switch OFF, wait at least 10 seconds and then turn ON.
5. Select Service \$07 with GST.
  - If P0455 is displayed on the screen, go to [EC-268, "Diagnosis Procedure"](#).
  - If P0442 is displayed on the screen, go to Diagnostic Procedure, for DTC P0442, [EC-232](#).
  - If P0441 is displayed on the screen, go to Diagnostic Procedure for DTC P0441, [EC-227](#).

## Diagnosis Procedure

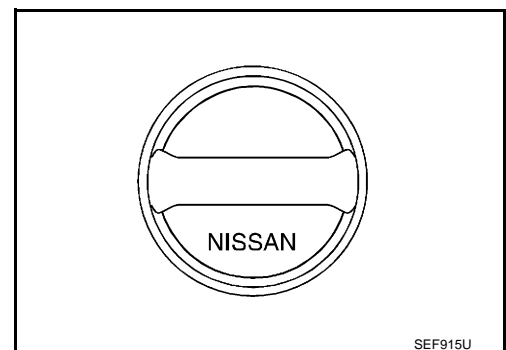
INFOID:000000004297461

### 1. CHECK FUEL FILLER CAP DESIGN

1. Turn ignition switch OFF.
2. Check for genuine NISSAN fuel filler cap design.

#### OK or NG

- OK >> GO TO 2.  
NG >> Replace with genuine NISSAN fuel filler cap.



SEF915U



# P0455 EVAP CONTROL SYSTEM

< COMPONENT DIAGNOSIS >

[VQ40DE]

## 2. CHECK FUEL FILLER CAP INSTALLATION

Check that the cap is tightened properly by rotating the cap clockwise.

OK or NG

OK >> GO TO 3.

NG >> 1. Open fuel filler cap, then clean cap and fuel filler neck threads using air blower.  
2. Retighten until ratcheting sound is heard.

## 3. CHECK FUEL FILLER CAP FUNCTION

Check for air releasing sound while opening the fuel filler cap.

OK or NG

OK >> GO TO 5.

NG >> GO TO 4.

## 4. CHECK FUEL TANK VACUUM RELIEF VALVE

Refer to [EC-45, "Description"](#).

OK or NG

OK >> GO TO 5.

NG >> Replace fuel filler cap with a genuine one.

## 5. CHECK EVAP PURGE LINE

Check EVAP purge line (pipe, rubber tube, fuel tank and EVAP canister) for cracks, improper connection or disconnection.

Refer to [EC-45, "Description"](#).

OK or NG

OK >> GO TO 6.

NG >> Repair or reconnect the hose.

## 6. CLEAN EVAP PURGE LINE

Clean EVAP purge line (pipe and rubber tube) using air blower.

>> GO TO 7.

## 7. CHECK EVAP CANISTER VENT CONTROL VALVE

Check the following.

- EVAP canister vent control valve is installed properly.  
Refer to [EC-487, "Removal and Installation"](#).
- EVAP canister vent control valve.  
Refer to [EC-487, "Component Inspection"](#).

OK or NG

OK >> GO TO 8.

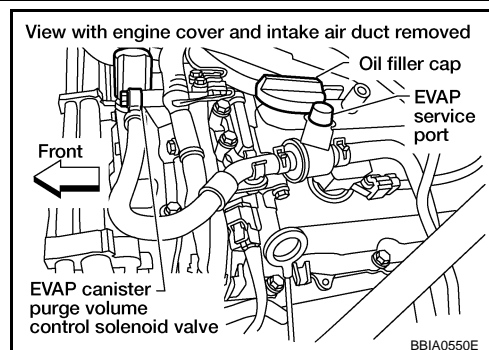
NG >> Repair or replace EVAP canister vent control valve and O-ring.

## 8. INSTALL THE PRESSURE PUMP

To locate the EVAP leak, install EVAP service port adapter and pressure pump to EVAP service port securely.

**NOTE:**

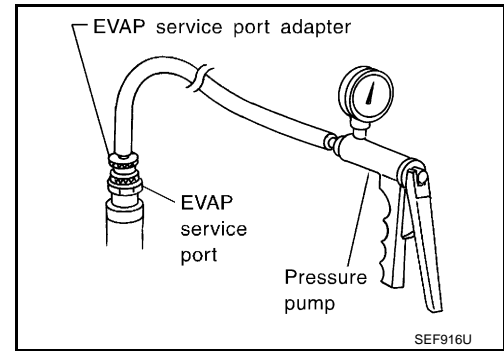
**Improper installation of the EVAP service port adapter to the EVAP service port may cause leaking.**



# P0455 EVAP CONTROL SYSTEM

< COMPONENT DIAGNOSIS >

[VQ40DE]



With CONSULT-III>>GO TO 9.  
Without CONSULT-III>>GO TO 10.

## 9. CHECK FOR EVAP LEAK

### With CONSULT-III

1. Turn ignition switch ON.
2. Select "EVAP SYSTEM CLOSE" of "WORK SUPPORT" mode with CONSULT-III.
3. Touch "START" and apply pressure into the EVAP line until the pressure indicator reaches the middle of the bar graph.

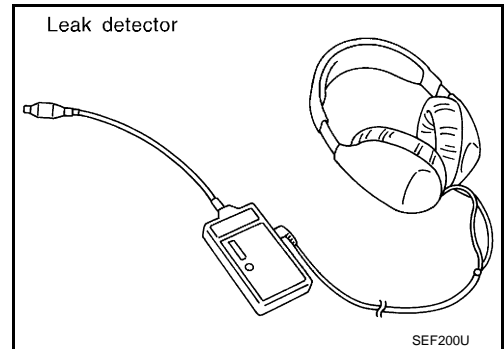
#### CAUTION:

- Never use compressed air or a high pressure pump.
- Never exceed 4.12 kPa (0.042 kg/cm<sup>2</sup>, 0.6 psi) of pressure in the system.

4. Using EVAP leak detector, locate the EVAP leak. For the leak detector, refer to the instruction manual for more details.  
Refer to [EC-45, "Description"](#).

OK or NG

- OK >> GO TO 11.  
NG >> Repair or replace.



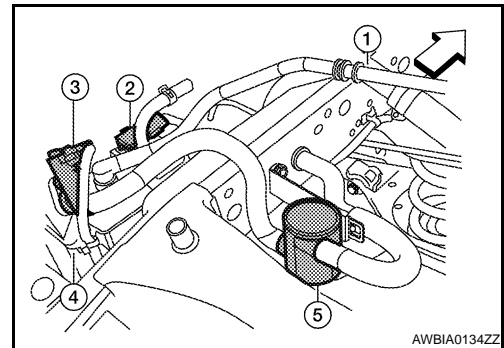
## 10. CHECK FOR EVAP LEAK

### Without CONSULT-III

1. Turn ignition switch OFF.
2. Apply 12 volts DC to EVAP canister vent control valve (3). The valve will close. (Continue to apply 12 volts until the end of test.)
  - Fuel filler pipe (top of frame view) (1)
  - EVAP control system pressure sensor (2)
  - EVAP canister (4)
  - Drain filter (5)
  - ⇐: Vehicle front
3. Pressurize the EVAP line using pressure pump with 1.38 to 2.76 kPa (0.014 to 0.028 kg/cm<sup>2</sup>, 0.29 to 0.4 psi), then remove pump and EVAP service port adapter.

#### CAUTION:

- Never use compressed air or a high pressure pump.
- Never exceed 4.12 kPa (0.042 kg/cm<sup>2</sup>, 0.6 psi) of pressure in the system.



# P0455 EVAP CONTROL SYSTEM

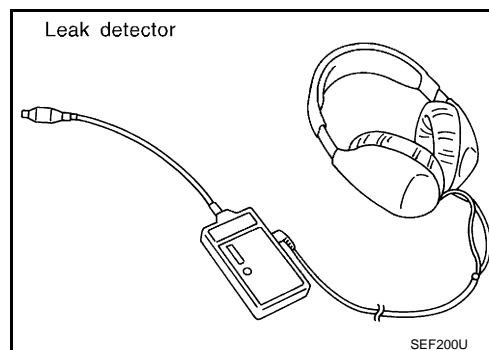
[VQ40DE]

## < COMPONENT DIAGNOSIS >

- Using EVAP leak detector, locate the EVAP leak. For the leak detector, refer to the instruction manual for more details. Refer to [EC-45. "Description"](#).

### OK or NG

- OK >> GO TO 12.
- NG >> Repair or replace.



## 11. CHECK EVAP CANISTER PURGE VOLUME CONTROL SOLENOID VALVE OPERATION

### With CONSULT-III

- Disconnect vacuum hose to EVAP canister purge volume control solenoid valve at EVAP service port.
- Start engine.
- Perform "PURG VOL CONT/V" in "ACTIVE TEST" mode.
- Touch "Qu" on CONSULT-III screen to increase "PURG VOL CONT/V" opening to 100%.
- Check vacuum hose for vacuum when revving engine up to 2,000 rpm.

### OK or NG

- OK >> GO TO 14.
- NG >> GO TO 13.

## 12. CHECK EVAP CANISTER PURGE VOLUME CONTROL SOLENOID VALVE OPERATION

### Without CONSULT-III

- Start engine and warm it up to normal operating temperature.
- Stop engine.
- Disconnect vacuum hose to EVAP canister purge volume control solenoid valve at EVAP service port.
- Start engine and let it idle for at least 80 seconds.
- Check vacuum hose for vacuum when revving engine up to 2,000 rpm.

**Vacuum should exist.**

### OK or NG

- OK >> GO TO 15.
- NG >> GO TO 13.

## 13. CHECK VACUUM HOSE

Check vacuum hoses for clogging or disconnection. Refer to [EC-45. "Description"](#).

### OK or NG

- OK (With CONSULT-III) >> GO TO 14.
- OK (Without CONSULT-III) >> GO TO 15.
- NG >> Repair or reconnect the hose.

## 14. CHECK EVAP CANISTER PURGE VOLUME CONTROL SOLENOID VALVE

### With CONSULT-III

- Start engine.
- Perform "PURG VOL CONT/V" in "ACTIVE TEST" mode with CONSULT-III. Check that engine speed varies according to the valve opening.

### OK or NG

- OK >> GO TO 16.
- NG >> GO TO 15.

## 15. CHECK EVAP CANISTER PURGE VOLUME CONTROL SOLENOID VALVE

Refer to [EC-245. "Component Inspection"](#).

### OK or NG

- OK >> GO TO 16.
- NG >> Replace EVAP canister purge volume control solenoid valve.

# P0455 EVAP CONTROL SYSTEM

[VQ40DE]

< COMPONENT DIAGNOSIS >

## 16. CHECK FUEL TANK TEMPERATURE SENSOR

Refer to [EC-195, "Component Inspection"](#).

OK or NG

OK >> GO TO 17.

NG >> Replace fuel level sensor unit.

## 17. CHECK EVAP CONTROL SYSTEM PRESSURE SENSOR

Refer to [EC-261, "Component Inspection"](#).

OK or NG

OK >> GO TO 18.

NG >> Replace EVAP control system pressure sensor.

## 18. CHECK EVAP/ORVR LINE

Check EVAP/ORVR line between EVAP canister and fuel tank for clogging, kink, looseness and improper connection. For location, refer to [EC-407, "System Description"](#).

OK or NG

OK >> GO TO 19.

NG >> Repair or replace hoses and tubes.

## 19. CHECK RECIRCULATION LINE

Check recirculation line between filler neck tube and fuel tank for clogging, kink, cracks, looseness and improper connection.

OK or NG

OK >> GO TO 20.

NG >> Repair or replace hose, tube or filler neck tube.

## 20. CHECK REFUELING EVAP VAPOR CUT VALVE

Refer to [EC-410, "Component Inspection"](#).

OK or NG

OK >> GO TO 21.

NG >> Replace refueling EVAP vapor cut valve with fuel tank.

## 21. CHECK INTERMITTENT INCIDENT

Refer to [GI-49, "Intermittent Incident"](#).

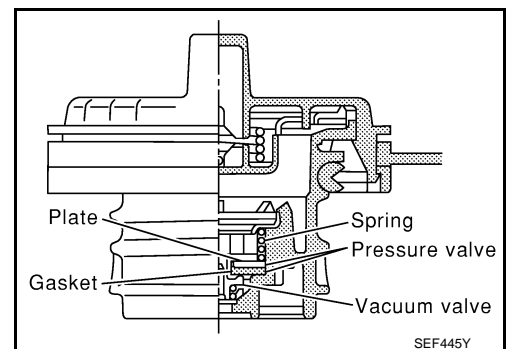
>> **INSPECTION END**

## Component Inspection

INFOID:000000004297462

### FUEL TANK VACUUM RELIEF VALVE (BUILT INTO FUEL FILLER CAP)

1. Wipe clean valve housing.



## P0455 EVAP CONTROL SYSTEM

< COMPONENT DIAGNOSIS >

[VQ40DE]

2. Check valve opening pressure and vacuum.

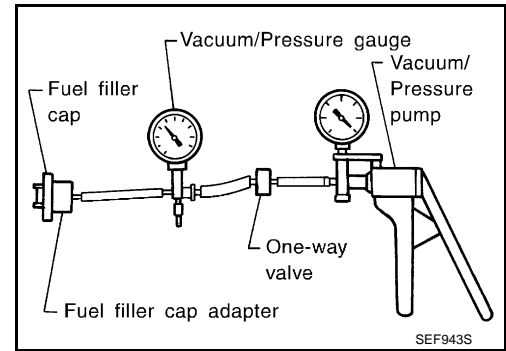
**Pressure:** 15.3 - 20.0 kPa (0.156 - 0.204 kg/cm<sup>2</sup>, 2.22 - 2.90 psi)

**Vacuum:** -6.0 to -3.3 kPa (-0.061 to -0.034 kg/cm<sup>2</sup>, -0.87 to -0.48 psi)

3. If out of specification, replace fuel filler cap as an assembly.

**CAUTION:**

Use only a genuine fuel filler cap as a replacement. If an incorrect fuel filler cap is used, the MIL may illuminate.



A

EC

C

D

E

F

G

H

I

J

K

L

M

N

O

P

# P0456 EVAP CONTROL SYSTEM

< COMPONENT DIAGNOSIS >

[VQ40DE]

## P0456 EVAP CONTROL SYSTEM

### On Board Diagnosis Logic

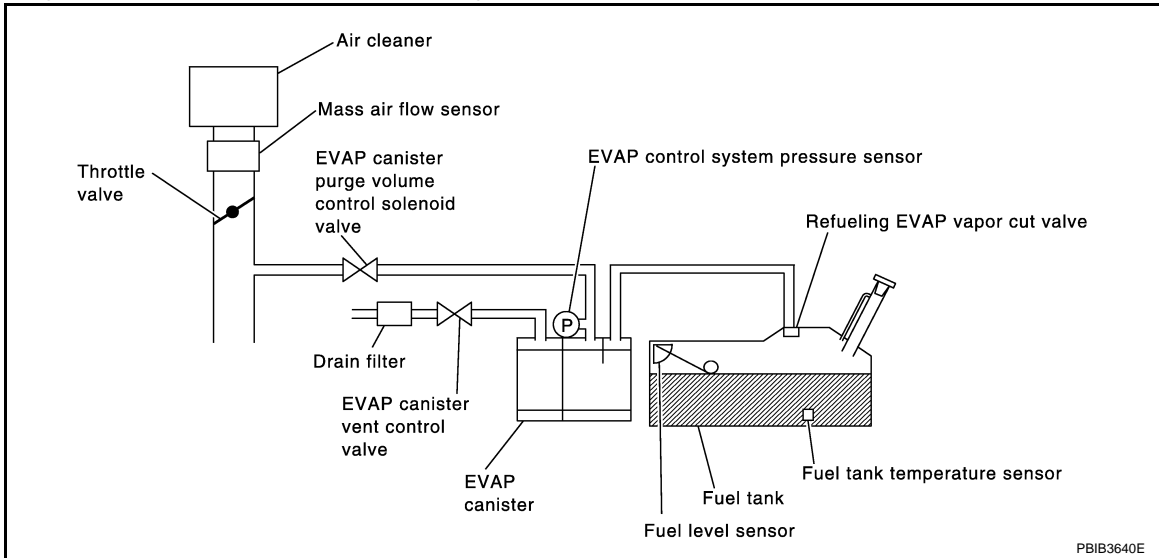
INFOID:000000004297463

This diagnosis detects very small leaks in the EVAP line between fuel tank and EVAP canister purge volume control solenoid valve, using the negative pressure.

If ECM judges a leak which corresponds to a very small leak, the very small leak P0456 will be detected.

If ECM judges a leak equivalent to a small leak, EVAP small leak P0442 will be detected.

If ECM judges that there are no leaks, the diagnosis will be OK.



DTC No.	Trouble diagnosis name	DTC detecting condition	Possible cause
P0456 0456	Evaporative emission control system very small leak (negative pressure check)	<ul style="list-style-type: none"> <li>• EVAP system has a very small leak.</li> <li>• EVAP system does not operate properly.</li> </ul>	<ul style="list-style-type: none"> <li>• Incorrect fuel tank vacuum relief valve</li> <li>• Incorrect fuel filler cap used</li> <li>• Fuel filler cap remains open or fails to close.</li> <li>• Foreign matter caught in fuel filler cap.</li> <li>• Leak is in line between intake manifold and EVAP canister purge volume control solenoid valve.</li> <li>• Foreign matter caught in EVAP canister vent control valve.</li> <li>• EVAP canister or fuel tank leaks</li> <li>• EVAP purge line (pipe and rubber tube) leaks</li> <li>• EVAP purge line rubber tube bent</li> <li>• Loose or disconnected rubber tube</li> <li>• EVAP canister vent control valve and the circuit</li> <li>• EVAP canister purge volume control solenoid valve and the circuit</li> <li>• Fuel tank temperature sensor</li> <li>• O-ring of EVAP canister vent control valve is missing or damaged</li> <li>• EVAP canister is saturated with water</li> <li>• EVAP control system pressure sensor</li> <li>• Refueling EVAP vapor cut valve</li> <li>• ORVR system leaks</li> <li>• Fuel level sensor and the circuit</li> <li>• Foreign matter caught in EVAP canister purge volume control solenoid valve</li> </ul>

#### CAUTION:

- Use only a genuine NISSAN fuel filler cap as a replacement. If an incorrect fuel filler cap is used, the MIL may illuminate.
- If the fuel filler cap is not tightened properly, the MIL may illuminate.
- Use only a genuine NISSAN rubber tube as a replacement.

# P0456 EVAP CONTROL SYSTEM

< COMPONENT DIAGNOSIS >

[VQ40DE]

## DTC Confirmation Procedure

INFOID:000000004297464

### NOTE:

- If DTC P0456 is displayed with P0442, first perform trouble diagnosis for DTC P0456.
  - After repair, make sure that the hoses and clips are installed properly.
  - If DTC Confirmation Procedure has been previously conducted, always perform the following before conducting the next step.
1. Turn ignition switch OFF and wait at least 10 seconds.
  2. Turn ignition switch ON.
  3. Turn ignition switch OFF and wait at least 10 seconds.

### TESTING CONDITION:

- Open engine hood before conducting the following procedure.
- If any of following conditions are met just before the DTC confirmation procedure, leave the vehicle for more than 1 hour.
  - Fuel filler cap is removed.
  - Fuel is refilled or drained.
  - EVAP component part/parts is/are removed.
- Before performing the following procedure, confirm that battery voltage is more than 11V at idle.

### ④ WITH CONSULT-III

1. Turn ignition switch ON and select "DATA MONITOR" mode with CONSULT-III.
  2. Check that the following conditions are met.
    - FUEL LEVEL SE: 0.25 - 1.4V**
    - COOLAN TEMP/S: 0 - 32°C (32 - 90°F)**
    - FUEL T/TMP SE: 0 - 35°C (32 - 95°F)**
    - INT A/TEMP SE: More than 0°C (32°F)**If NG, turn ignition switch OFF and leave the vehicle in a cool place (soak the vehicle), or refill/drain fuel until the output voltage of the "FUEL LEVEL SE" meets within the range above and leave the vehicle for more than 1 hour. Then start from step 1.
  3. Turn ignition switch OFF and wait at least 10 seconds.
  4. Turn ignition switch ON.
  5. Select "EVP V/S LEAK P0456/P1456" of "EVAPORATIVE SYSTEM" in "DTC WORK SUPPORT" mode with CONSULT-III.  
Follow the instructions displayed.
  6. Check that "OK" is displayed.  
If "NG" is displayed, refer to [EC-276, "Diagnosis Procedure"](#).
- NOTE:**
- If the engine speed cannot be maintained within the range displayed on CONSULT-III screen, go to [EC-20, "Basic Inspection"](#).
  - Check that EVAP hoses are connected to EVAP canister purge volume control solenoid valve properly.

## Overall Function Check

INFOID:000000004297465

### ④ WITH GST

Use this procedure to check the overall function of the EVAP very small leak function. During this check, a 1st trip DTC might not be confirmed.

### CAUTION:

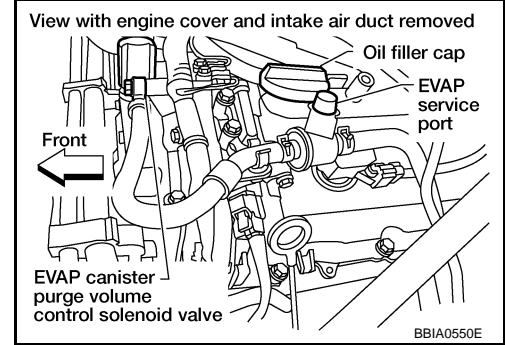
- Never use compressed air, doing so may damage the EVAP system.
- Never start engine.
- Never exceeded 4.12 kPa (0.042 kg/cm<sup>2</sup>, 0.6 psi).

# P0456 EVAP CONTROL SYSTEM

[VQ40DE]

## < COMPONENT DIAGNOSIS >

1. Attach the EVAP service port adapter securely to the EVAP service port.



2. Set the pressure pump and a hose.
3. Also set a vacuum gauge via 3-way connector and a hose.
4. Turn ignition switch ON.
5. Connect GST and select Service \$08.
6. Using Service \$08 control the EVAP canister vent control valve (close).
7. Apply pressure and make sure the following conditions are satisfied.

**Pressure to be applied: 2.7 kPa (0.028 kg/cm<sup>2</sup>, 0.39 psi)**  
**Time to be waited after the pressure drawn in to the EVAP system and the pressure to be dropped: 60 seconds and the pressure should not be dropped more than 0.4 kPa (0.004 kg/cm<sup>2</sup>, 0.06 psi).**

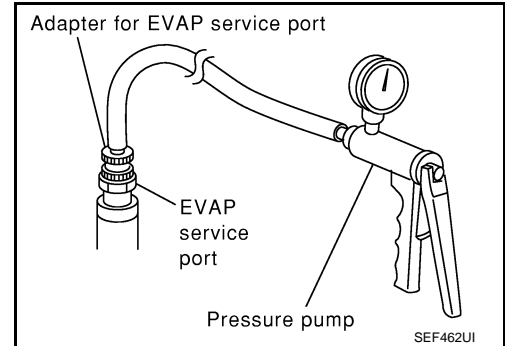
If NG, go to [EC-276, "Diagnosis Procedure"](#).

If OK, go to next step.

8. Disconnect GST.
9. Start engine and warm it up to normal operating temperature.
10. Turn ignition switch OFF and wait at least 10 seconds.
11. Turn ignition switch ON.
12. Turn ignition switch OFF and wait at least 10 seconds.
13. Restart engine and let it idle for 90 seconds.
14. Keep engine speed at 2,000 rpm for 30 seconds.
15. Turn ignition switch OFF.

### NOTE:

**For more information, refer to GST instruction manual.**



## Diagnosis Procedure

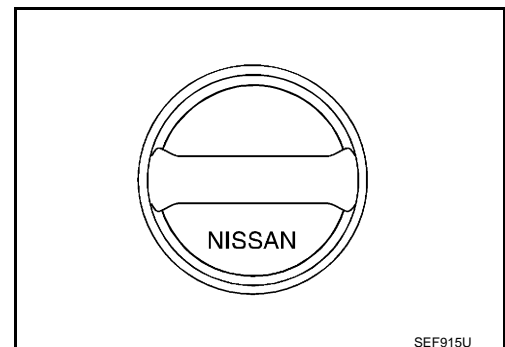
INFOID:000000004297466

### 1. CHECK FUEL FILLER CAP DESIGN

1. Turn ignition switch OFF.
2. Check for genuine NISSAN fuel filler cap design.

#### OK or NG

- OK >> GO TO 2.  
NG >> Replace with genuine NISSAN fuel filler cap.



### 2. CHECK FUEL FILLER CAP INSTALLATION

Check that the cap is tightened properly by rotating the cap clockwise.

#### OK or NG

- OK >> GO TO 3.  
NG >> 1. Open fuel filler cap, then clean cap and fuel filler neck threads using air blower.



# P0456 EVAP CONTROL SYSTEM

< COMPONENT DIAGNOSIS >

[VQ40DE]

2. Retighten until ratcheting sound is heard.

## 3. CHECK FUEL FILLER CAP FUNCTION

Check for air releasing sound while opening the fuel filler cap.

OK or NG

OK >> GO TO 5.

NG >> GO TO 4.

## 4. CHECK FUEL TANK VACUUM RELIEF VALVE

Refer to [EC-237, "Component Inspection"](#).

OK or NG

OK >> GO TO 5.

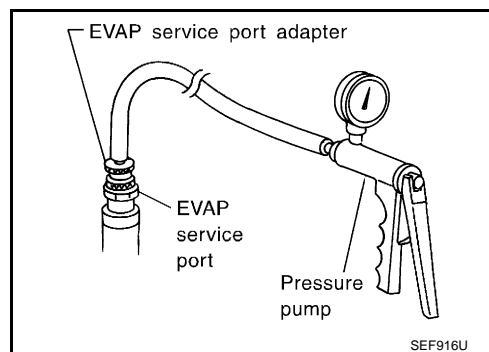
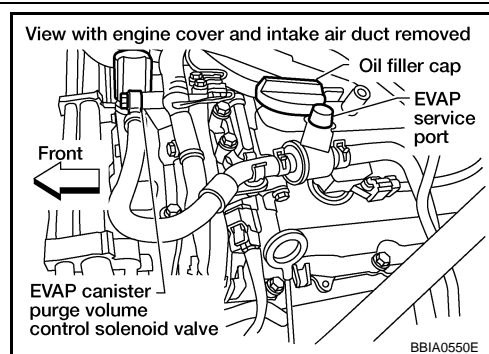
NG >> Replace fuel filler cap with a genuine one.

## 5. INSTALL THE PRESSURE PUMP

To locate the EVAP leak, install EVAP service port adapter and pressure pump to EVAP service port securely. For the location of EVAP service port, refer to [EC-45, "Description"](#).

**NOTE:**

**Improper installation of the EVAP service port adapter to the EVAP service port may cause leaking.**



With CONSULT-III >> GO TO 6.

Without CONSULT-III >> GO TO 7.

## 6. CHECK FOR EVAP LEAK

**With CONSULT-III**

1. Turn ignition switch ON.
2. Select "EVAP SYSTEM CLOSE" of "WORK SUPPORT" mode with CONSULT-III.
3. Touch "START" and apply pressure into the EVAP line until the pressure indicator reaches the middle of the bar graph.

**CAUTION:**

- Never use compressed air or a high pressure pump.
- Never exceed 4.12 kPa (0.042 kg/cm<sup>2</sup>, 0.6 psi) of pressure in the system.

# P0456 EVAP CONTROL SYSTEM

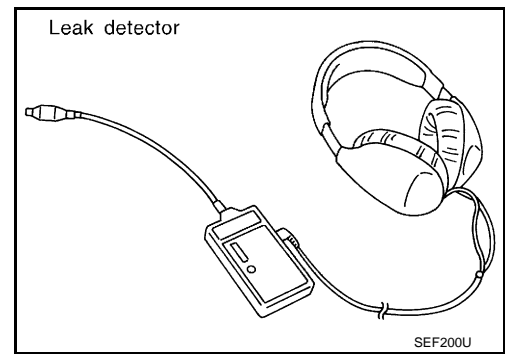
[VQ40DE]

## < COMPONENT DIAGNOSIS >

- Using EVAP leak detector, locate the EVAP leak. For the leak detector, refer to the instruction manual for more details. Refer to [EC-45, "Description"](#).

### OK or NG

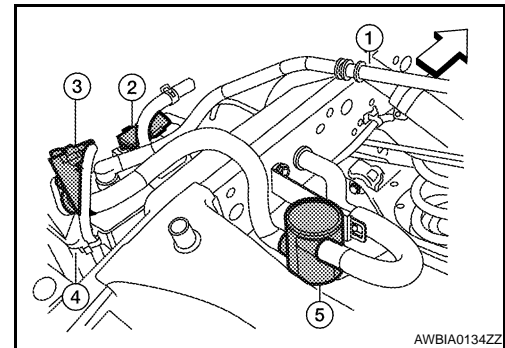
- OK >> GO TO 8.
- NG >> Repair or replace.



## 7. CHECK FOR EVAP LEAK

### ⊗ Without CONSULT-III

- Turn ignition switch OFF.
- Apply 12 volts DC to EVAP canister vent control valve (3). The valve will close. (Continue to apply 12 volts until the end of test.)
  - Fuel filler pipe (top of frame view) (1)
  - EVAP control system pressure sensor (2)
  - EVAP canister (4)
  - Drain filter (5)
  - ↔: Vehicle front
- Pressurize the EVAP line using pressure pump with 1.38 to 2.76 kPa (0.014 to 0.028 kg/cm<sup>2</sup>, 0.2 to 0.4 psi), then remove pump and EVAP service port adapter.



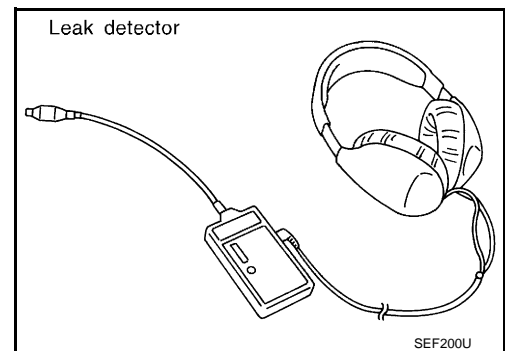
### CAUTION:

- Never use compressed air or a high pressure pump.
- Never exceed 4.12 kPa (0.042 kg/cm<sup>2</sup>, 0.6 psi) of pressure in the system.

- Using EVAP leak detector, locate the EVAP leak. For the leak detector, refer to the instruction manual for more details. Refer to [EC-45, "Description"](#).

### OK or NG

- OK >> GO TO 8.
- NG >> Repair or replace.



## 8. CHECK EVAP CANISTER VENT CONTROL VALVE

Check the following.

- EVAP canister vent control valve is installed properly. Refer to [EC-487, "Removal and Installation"](#).
- EVAP canister vent control valve. Refer to [EC-248, "Component Inspection"](#).

### OK or NG

- OK >> GO TO 9.
- NG >> Repair or replace EVAP canister vent control valve and O-ring.

## 9. CHECK IF EVAP CANISTER IS SATURATED WITH WATER

- Remove EVAP canister with EVAP canister vent control valve and EVAP control system pressure sensor attached.

# P0456 EVAP CONTROL SYSTEM

< COMPONENT DIAGNOSIS >

[VQ40DE]

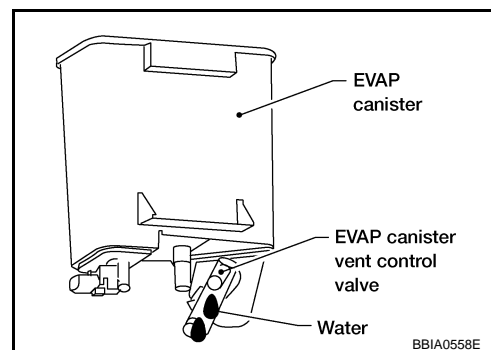
2. Does water drain from the EVAP canister?

Yes or No

Yes >> GO TO 10.

No (With CONSULT-III)>>GO TO 12.

No (Without CONSULT-III)>>GO TO 13.



## 10. CHECK EVAP CANISTER

Weigh the EVAP canister with the EVAP canister vent control valve and EVAP control system pressure sensor attached.

**The weight should be less than 2.0 kg (4.4 lb).**

OK or NG

OK (With CONSULT-III)>>GO TO 12.

OK (Without CONSULT-III)>>GO TO 13.

NG >> GO TO 11.

## 11. DETECT MALFUNCTIONING PART

Check the following.

- EVAP canister for damage
- EVAP hose between EVAP canister and vehicle frame for clogging or poor connection

>> Repair hose or replace EVAP canister.

## 12. CHECK EVAP CANISTER PURGE VOLUME CONTROL SOLENOID VALVE OPERATION

**With CONSULT-III**

1. Disconnect vacuum hose connected to EVAP service port and EVAP canister purge volume control solenoid valve from EVAP canister purge volume control solenoid valve.
2. Start engine.
3. Perform "PURG VOL CONT/V" in "ACTIVE TEST" mode.
4. Touch "Qu" on CONSULT-III screen to increase "PURG VOL CONT/V" opening to 100%.
5. Check vacuum hose for vacuum when revving engine up to 2,000 rpm.

OK or NG

OK >> GO TO 16.

NG >> GO TO 14.

## 13. CHECK EVAP CANISTER PURGE VOLUME CONTROL SOLENOID VALVE OPERATION

**Without CONSULT-III**

1. Start engine and warm it up to normal operating temperature.
2. Stop engine.
3. Disconnect vacuum hose connected to EVAP service port and EVAP canister purge volume control solenoid valve from EVAP canister purge volume control solenoid valve.
4. Start engine and let it idle for at least 80 seconds.
5. Check vacuum hose for vacuum when revving engine up to 2,000 rpm.

**Vacuum should exist.**

OK or NG

OK >> GO TO 15.

NG >> GO TO 14.

## 14. CHECK VACUUM HOSE

Check vacuum hoses for clogging or disconnection. Refer to [EC-45, "Description"](#).

OK or NG

OK >> GO TO 15.

## P0456 EVAP CONTROL SYSTEM

[VQ40DE]

### < COMPONENT DIAGNOSIS >

NG >> Repair or reconnect the hose.

#### 15. CHECK EVAP CANISTER PURGE VOLUME CONTROL SOLENOID VALVE

Refer to [EC-245, "Component Inspection"](#).

##### OK or NG

OK >> GO TO 16.

NG >> Replace EVAP canister purge volume control solenoid valve.

#### 16. CHECK FUEL TANK TEMPERATURE SENSOR

Refer to [EC-195, "Component Inspection"](#).

##### OK or NG

OK >> GO TO 17.

NG >> Replace fuel level sensor unit.

#### 17. CHECK EVAP CONTROL SYSTEM PRESSURE SENSOR

Refer to [EC-261, "Component Inspection"](#).

##### OK or NG

OK >> GO TO 18.

NG >> Replace EVAP control system pressure sensor.

#### 18. CHECK EVAP PURGE LINE

Check EVAP purge line (pipe, rubber tube, fuel tank and EVAP canister) for cracks or improper connection.

Refer to [EC-45, "Description"](#).

##### OK or NG

OK >> GO TO 19.

NG >> Repair or reconnect the hose.

#### 19. CLEAN EVAP PURGE LINE

Clean EVAP purge line (pipe and rubber tube) using air blower.

>> GO TO 20.

#### 20. CHECK EVAP/ORVR LINE

Check EVAP/ORVR line between EVAP canister and fuel tank for clogging, kinks, looseness and improper connection. For location, refer to [EC-407, "System Description"](#).

##### OK or NG

OK >> GO TO 21.

NG >> Repair or replace hoses and tubes.

#### 21. CHECK RECIRCULATION LINE

Check recirculation line between filler neck tube and fuel tank for clogging, kinks, cracks, looseness and improper connection.

##### OK or NG

OK >> GO TO 22.

NG >> Repair or replace hose, tube or filler neck tube.

#### 22. CHECK REFUELING EVAP VAPOR CUT VALVE

Refer to [EC-410, "Component Inspection"](#).

##### OK or NG

OK >> GO TO 23.

NG >> Replace refueling EVAP vapor cut valve with fuel tank.

#### 23. CHECK FUEL LEVEL SENSOR

Refer to [MWI-33, "Component Inspection"](#).

##### OK or NG

OK >> GO TO 24.

NG >> Replace fuel level sensor unit.

# P0456 EVAP CONTROL SYSTEM

< COMPONENT DIAGNOSIS >

[VQ40DE]

## 24. CHECK INTERMITTENT INCIDENT

Refer to [GI-49. "Intermittent Incident"](#).

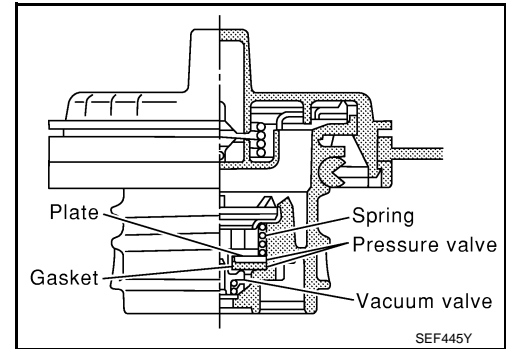
>> INSPECTION END

### Component Inspection

INFOID:000000004297467

#### FUEL TANK VACUUM RELIEF VALVE (BUILT INTO FUEL FILLER CAP)

1. Wipe clean valve housing.



2. Check valve opening pressure and vacuum.

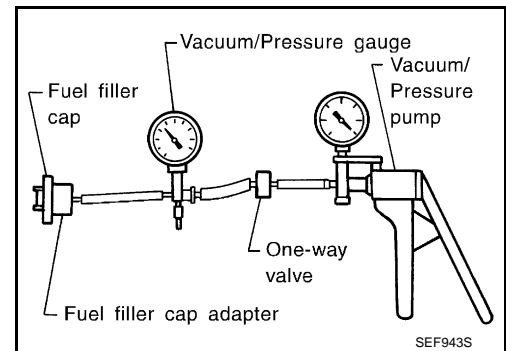
**Pressure:** 15.3 - 20.0 kPa (0.156 - 0.204 kg/cm<sup>2</sup>, 2.22 - 2.90 psi)

**Vacuum:** -6.0 to -3.3 kPa (-0.061 to -0.034 kg/cm<sup>2</sup>, -0.87 to -0.48 psi)

3. If out of specification, replace fuel filler cap as an assembly.

**CAUTION:**

Use only a genuine fuel filler cap as a replacement. If an incorrect fuel filler cap is used, the MIL may come on.



# P0460 FUEL LEVEL SENSOR

< COMPONENT DIAGNOSIS >

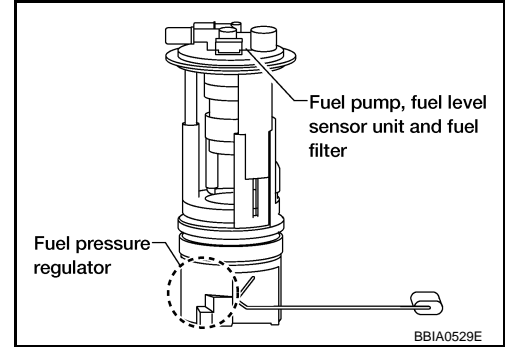
[VQ40DE]

## P0460 FUEL LEVEL SENSOR

### Component Description

INFOID:000000004297468

The fuel level sensor is mounted in the fuel level sensor unit. The sensor detects a fuel level in the fuel tank and transmits a signal to the combination meter. The combination meter sends the fuel level sensor signal to the ECM through the CAN communication line. It consists of two parts, one is mechanical float and the other is variable resistor. Fuel level sensor output voltage changes depending on the movement of the fuel mechanical float.



### On Board Diagnosis Logic

INFOID:000000004297469

#### NOTE:

- If DTC P0460 is displayed with DTC UXXXX, first perform the trouble diagnosis for DTC UXXXX.
- If DTC P0460 is displayed with DTC P0607, first perform the trouble diagnosis for DTC P0607. Refer to [EC-301, "Description"](#).

When the vehicle is parked, the fuel level in the fuel tank is naturally stable. It means that output signal of the fuel level sensor does not change. If ECM senses sloshing signal from the sensor, fuel level sensor malfunction is detected.

DTC No.	Trouble diagnosis name	DTC detecting condition	Possible cause
P0460 0460	Fuel level sensor circuit noise	Even though the vehicle is parked, a signal being varied is sent from the fuel level sensor to ECM.	<ul style="list-style-type: none"><li>• Harness or connectors (The CAN communication line is open or shorted)</li><li>• Harness or connectors (The sensor circuit is open or shorted)</li><li>• Combination meter</li><li>• Fuel level sensor</li></ul>

### DTC Confirmation Procedure

INFOID:000000004297470

1. If DTC Confirmation Procedure has been previously conducted, always perform the following before conducting the next step.
  - a. Turn ignition switch OFF and wait at least 10 seconds.
  - b. Turn ignition switch ON.
  - c. Turn ignition switch OFF and wait at least 10 seconds.
2. Start engine and wait maximum of 2 consecutive minutes.
3. Check 1st trip DTC.
4. If 1st trip DTC is detected, go to [EC-282, "Diagnosis Procedure"](#).

### Diagnosis Procedure

INFOID:000000004297471

#### 1. CHECK COMBINATION METER FUNCTION

Refer to [GI-45, "Work Flow"](#).

#### OK or NG

OK >> GO TO 2.

NG >> Go to [MWI-32, "Component Function Check"](#).

#### 2. CHECK INTERMITTENT INCIDENT

Refer to [GI-49, "Intermittent Incident"](#).

# P0460 FUEL LEVEL SENSOR

< COMPONENT DIAGNOSIS >

[VQ40DE]

>> INSPECTION END

A

**EC**

C

D

E

F

G

H

I

J

K

L

M

N

O

P

# P0461 FUEL LEVEL SENSOR

< COMPONENT DIAGNOSIS >

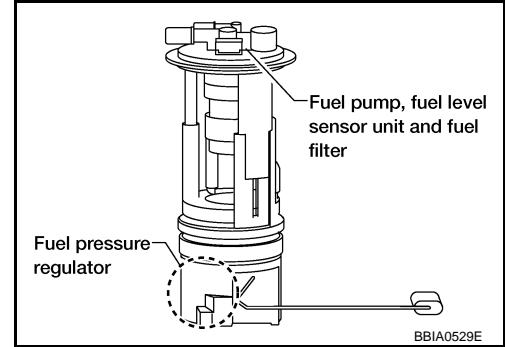
[VQ40DE]

## P0461 FUEL LEVEL SENSOR

### Component Description

INFOID:000000004297472

The fuel level sensor is mounted in the fuel level sensor unit. The sensor detects a fuel level in the fuel tank and transmits a signal to the combination meter. The combination meter sends the fuel level sensor signal to the ECM through CAN communication line. It consists of two parts, one is mechanical float and the other is variable resistor. Fuel level sensor output voltage changes depending on the movement of the fuel mechanical float.



### On Board Diagnosis Logic

INFOID:000000004297473

#### NOTE:

- If DTC P0461 is displayed with DTC UXXXX, first perform the trouble diagnosis for DTC UXXXX.
- If DTC P0461 is displayed with DTC P0607, first perform the trouble diagnosis for DTC P0607. Refer to [EC-301, "Description"](#).

Driving long distances naturally affect fuel gauge level.

This diagnosis detects the fuel gauge malfunction of the gauge not moving even after a long distance has been driven.

DTC No.	Trouble diagnosis name	DTC detecting condition	Possible cause
P0461 0461	Fuel level sensor circuit range/performance	The output signal of the fuel level sensor does not change within the specified range even though the vehicle has been driven a long distance.	<ul style="list-style-type: none"><li>• Harness or connectors (The CAN communication line is open or shorted)</li><li>• Harness or connectors (The sensor circuit is open or shorted)</li><li>• Combination meter</li><li>• Fuel level sensor</li></ul>

### Overall Function Check

INFOID:000000004297474

Use this procedure to check the overall function of the fuel level sensor. During this check, a 1st trip DTC might not be confirmed.

#### WARNING:

When performing the following procedure, always observe the handling of the fuel. Refer to [FL-11, "Removal and Installation"](#).

#### TESTING CONDITION:

Before starting overall function check, preparation of draining fuel and refilling fuel is required.

④ WITH CONSULT-III

#### NOTE:

Start from step 10, if it is possible to confirm that the fuel cannot be drained by 30 ℓ (7-7/8 US gal, 6-5/8 Imp gal) in advance.

1. Prepare a fuel container and a spare hose.
2. Release fuel pressure from fuel line, refer to [EC-484, "Fuel Pressure Check"](#).
3. Remove the fuel feed hose on the fuel level sensor unit.
4. Connect a spare fuel hose where the fuel feed hose was removed.
5. Turn ignition switch OFF and wait at least 10 seconds then turn ON.
6. Select "FUEL LEVEL SE" in "DATA MONITOR" mode with CONSULT-III.
7. Check "FUEL LEVEL SE" output voltage and note it.
8. Select "FUEL PUMP" in "ACTIVE TEST" mode with CONSULT-III.
9. Touch ON and drain fuel approximately 30 ℓ (7-7/8 US gal, 6-5/8 Imp gal) and stop it.
10. Check "FUEL LEVEL SE" output voltage and note it.
11. Fill fuel into the fuel tank for 30 ℓ (7-7/8 US gal, 6-5/8 Imp gal).
12. Check "FUEL LEVEL SE" output voltage and note it.



# P0461 FUEL LEVEL SENSOR

[VQ40DE]

< COMPONENT DIAGNOSIS >

13. Confirm whether the voltage changes more than 0.03V during step 7 to 10 and 10 to 12.  
If NG, go to [EC-285, "Diagnosis Procedure"](#).

 WITH GST

## NOTE:

**Start from step 8, if it is possible to confirm that the fuel cannot be drained by 30 ℓ (7-7/8 US gal, 6-5/8 Imp gal) in advance.**

1. Prepare a fuel container and a spare hose.
2. Release fuel pressure from fuel line. Refer to [EC-484, "Fuel Pressure Check"](#).
3. Remove the fuel feed hose on the fuel level sensor unit.
4. Connect a spare fuel hose where the fuel feed hose was removed.
5. Turn ignition switch ON.
6. Drain fuel by 30 ℓ (7-7/8 US gal, 6-5/8 Imp gal) from the fuel tank using proper equipment.
7. Confirm that the fuel gauge indication varies.
8. Fill fuel into the fuel tank for 30 ℓ (7-7/8 US gal, 6-5/8 Imp gal).
9. Confirm that the fuel gauge indication varies.
10. If NG, go to [EC-285, "Diagnosis Procedure"](#).

## Diagnosis Procedure

INFOID:000000004297475

### 1. CHECK COMBINATION METER FUNCTION

Refer to [GI-45, "Work Flow"](#).

OK or NG

OK >> GO TO 2.

NG >> Go to [MWI-32, "Component Function Check"](#).

### 2. CHECK INTERMITTENT INCIDENT

Refer to [GI-49, "Intermittent Incident"](#).

>> **INSPECTION END**

# P0462, P0463 FUEL LEVEL SENSOR

< COMPONENT DIAGNOSIS >

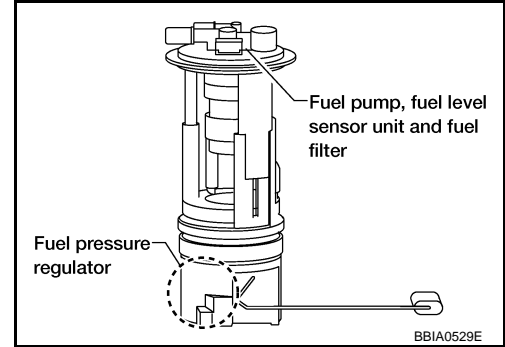
[VQ40DE]

## P0462, P0463 FUEL LEVEL SENSOR

### Component Description

INFOID:000000004297476

The fuel level sensor is mounted in the fuel level sensor unit. The sensor detects a fuel level in the fuel tank and transmits a signal to the combination meter. The combination meter sends the fuel level sensor signal to the ECM through CAN communication line. It consists of two parts, one is mechanical float and the other is variable resistor. Fuel level sensor output voltage changes depending on the movement of the fuel mechanical float.



### On Board Diagnosis Logic

INFOID:000000004297477

#### NOTE:

- If DTC P0462 or P0463 is displayed with DTC UXXXX, first perform the trouble diagnosis for DTC UXXXX.
- If DTC P0462 or P0463 is displayed with DTC P0607, first perform the trouble diagnosis for DTC P0607. Refer to [EC-301, "Description"](#).

DTC No.	Trouble diagnosis name	DTC detecting condition	Possible cause
P0462 0462	Fuel level sensor circuit low input	An excessively low voltage from the sensor is sent to ECM.	<ul style="list-style-type: none"><li>• Harness or connectors (The CAN communication line is open or shorted)</li><li>• Harness or connectors (The sensor circuit is open or shorted)</li><li>• Combination meter</li><li>• Fuel level sensor</li></ul>
P0463 0463	Fuel level sensor circuit high input	An excessively high voltage from the sensor is sent to ECM.	

### DTC Confirmation Procedure

INFOID:000000004297478

#### NOTE:

If DTC Confirmation Procedure has been previously conducted, always perform the following before conducting the next step.

1. Turn ignition switch OFF and wait at least 10 seconds.
2. Turn ignition switch ON.
3. Turn ignition switch OFF and wait at least 10 seconds.

#### TESTING CONDITION:

Before performing the following procedure, confirm that battery voltage is more than 11V at ignition switch ON.

1. Turn ignition switch ON and wait at least 5 seconds.
2. Check 1st trip DTC.
3. If 1st trip DTC is detected, go to [EC-286, "Diagnosis Procedure"](#).

### Diagnosis Procedure

INFOID:000000004297479

#### 1. CHECK COMBINATION METER FUNCTION

Refer to [GI-45, "Work Flow"](#).

#### OK or NG

- OK >> GO TO 2.
- NG >> Go to [MWI-32, "Component Function Check"](#).

#### 2. CHECK INTERMITTENT INCIDENT

Refer to [GI-49, "Intermittent Incident"](#).

# P0462, P0463 FUEL LEVEL SENSOR

< COMPONENT DIAGNOSIS >

[VQ40DE]

>> INSPECTION END

A

EC

C

D

E

F

G

H

I

J

K

L

M

N

O

P

P0500 VSS

Description

INFOID:000000004297480

NOTE:

- If DTC P0500 is displayed with DTC UXXXX, first perform the trouble diagnosis for DTC UXXXX.
- If DTC P0500 is displayed with DTC P0607, first perform the trouble diagnosis for DTC P0607. Refer to [EC-301, "Description"](#).

The vehicle speed signal is sent to the combination meter from the “ABS actuator and electric unit (control unit)” by CAN communication line. The combination meter then sends a signal to the ECM by CAN communication line.

On Board Diagnosis Logic

INFOID:000000004297481

DTC No.	Trouble diagnosis name	DTC detecting condition	Possible cause
P0500 0500	Vehicle speed sensor	The almost 0 km/h (0 MPH) signal from vehicle speed sensor is sent to ECM even when vehicle is being driven.	<ul style="list-style-type: none"> <li>• Harness or connectors (The CAN communication line is open or shorted)</li> <li>• Harness or connectors (The vehicle speed signal circuit is open or shorted)</li> <li>• Wheel sensor</li> <li>• Combination meter</li> <li>• ABS actuator and electric unit (control unit)</li> </ul>

FAIL-SAFE MODE

When the malfunction is detected, ECM enters fail-safe mode.

Detected item	Engine operating condition in fail-safe mode
Vehicle speed sensor	When the fail-safe system for vehicle speed sensor is activated, the cooling fan operates (High) while engine is running.

DTC Confirmation Procedure

INFOID:000000004297482

**CAUTION:**

Always drive vehicle at a safe speed.

NOTE:

If DTC Confirmation Procedure has been previously conducted, always perform the following before conducting the next step.

1. Turn ignition switch OFF and wait at least 10 seconds.
2. Turn ignition switch ON.
3. Turn ignition switch OFF and wait at least 10 seconds.

**TESTING CONDITION:**

Steps 1 and 2 may be conducted with the drive wheels lifted in the shop or by driving the vehicle. If a road test is expected to be easier, it is unnecessary to lift the vehicle.

Ⓟ WITH CONSULT-III

1. Start engine (VDC switch OFF).
2. Read “VHCL SPEED SE” in “DATA MONITOR” mode with CONSULT-III. The vehicle speed on CONSULT-III should exceed 10 km/h (6 MPH) when rotating wheels with suitable gear position.  
If NG, go to [EC-289, "Diagnosis Procedure"](#).  
If OK, go to following step.
3. Select “DATA MONITOR” mode with CONSULT-III.
4. Warm engine up to normal operating temperature.
5. Maintain the following conditions for at least 60 consecutive seconds.

ENG SPEED	1,700 - 6,000 rpm
COOLAN TEMP/S	More than 70°C (158°F)
B/FUEL SCHDL	6.3 - 31.8 msec

# P0500 VSS

[VQ40DE]

## < COMPONENT DIAGNOSIS >

Selector lever	Except P or N position
PW/ST SIGNAL	OFF

6. Check 1st trip DTC.
7. If 1st trip DTC is detected, go to [EC-289. "Diagnosis Procedure"](#).

### Overall Function Check

INFOID:000000004297483

Use this procedure to check the overall function of the vehicle speed sensor circuit. During this check, a 1st trip DTC might not be confirmed.

#### WITH GST

1. Lift up drive wheels.
2. Start engine.
3. Read vehicle speed sensor signal in Service \$01 with GST.  
The vehicle speed sensor on GST should be able to exceed 10 km/h (6 MPH) when rotating wheels with suitable gear position.
4. If NG, go to [EC-289. "Diagnosis Procedure"](#).

### Diagnosis Procedure

INFOID:000000004297484

#### 1. CHECK DTC WITH "ABS ACTUATOR AND ELECTRIC UNIT (CONTROL UNIT)"

Refer to [BRC-8. "Work Flow"](#) or [BRC-137. "Work Flow"](#).

#### OK or NG

- OK >> GO TO 2.
- NG >> Repair or replace.

#### 2. CHECK COMBINATION METER FUNCTION

Refer to [GI-45. "Work Flow"](#).

>> **INSPECTION END**

P0506 ISC SYSTEM

Description

INFOID:000000004297485

**NOTE:**

**If DTC P0506 is displayed with other DTC, first perform the trouble diagnosis for the other DTC.**

The ECM controls the engine idle speed to a specified level through the fine adjustment of the air, which is let into the intake manifold, by operating the electric throttle control actuator. The operating of the throttle valve is varied to allow for optimum control of the engine idling speed. The crankshaft position sensor (POS) detects the actual engine speed and sends a signal to the ECM.

The ECM controls the electric throttle control actuator so that the engine speed coincides with the target value memorized in the ECM. The target engine speed is the lowest speed at which the engine can operate steadily. The optimum value stored in the ECM is determined by taking into consideration various engine conditions, such as during warming up, deceleration, and engine load (air conditioner, power steering and cooling fan operation, etc.).

On Board Diagnosis Logic

INFOID:000000004297486

DTC No.	Trouble diagnosis name	DTC detecting condition	Possible cause
P0506 0506	Idle speed control system RPM lower than expected	The idle speed is less than the target idle speed by 100 rpm or more.	<ul style="list-style-type: none"> <li>• Electric throttle control actuator</li> <li>• Intake air leak</li> </ul>

DTC Confirmation Procedure

INFOID:000000004297487

**NOTE:**

- If the target idle speed is out of the specified value, perform, [EC-25, "Idle Air Volume Learning"](#), before conducting DTC Confirmation Procedure. For the target idle speed, refer to the [EC-488](#).
- If DTC Confirmation Procedure has been previously conducted, always perform the following before conducting the next step.

1. Turn ignition switch OFF and wait at least 10 seconds.
2. Turn ignition switch ON.
3. Turn ignition switch OFF and wait at least 10 seconds.

**TESTING CONDITION:**

- Before performing the following procedure, confirm that battery voltage is more than 11V at idle.
  - Always perform the test at a temperature above  $-10^{\circ}\text{C}(14^{\circ}\text{F})$ .
1. Start engine and warm it up to normal operating temperature.
  2. Turn ignition switch OFF and wait at least 10 seconds.
  3. Turn ignition switch ON.
  4. Turn ignition switch OFF and wait at least 10 seconds.
  5. Start engine and run it for at least 1 minute at idle speed.
  6. Check 1st trip DTC.
  7. If 1st trip DTC is detected, go to [EC-290, "Diagnosis Procedure"](#).

Diagnosis Procedure

INFOID:000000004297488

**1. CHECK INTAKE AIR LEAK**

1. Start engine and let it idle.
2. Listen for an intake air leak after the mass air flow sensor.

OK or NG

- OK >> GO TO 2.
- NG >> Discover air leak location and repair.

**2. REPLACE ECM**

1. Stop engine.
2. Replace ECM.
3. Perform initialization of NVIS (NATS) system and registration of all NVIS (NATS) ignition key IDs. Refer to [SEC-8, "ADDITIONAL SERVICE WHEN REPLACING CONTROL UNIT : Special Repair Requirement"](#)

# P0506 ISC SYSTEM

< COMPONENT DIAGNOSIS >

[VQ40DE]

(with Intelligent Key system) [SEC-124. "ADDITIONAL SERVICE WHEN REPLACING CONTROL UNIT : Special Repair Requirement"](#) (without Intelligent Key system).

4. Perform [EC-25. "VIN Registration"](#).
5. Perform [EC-25. "Accelerator Pedal Released Position Learning"](#).
6. Perform [EC-25. "Throttle Valve Closed Position Learning"](#).
7. Perform [EC-25. "Idle Air Volume Learning"](#).

A

EC

>> INSPECTION END

C

D

E

F

G

H

I

J

K

L

M

N

O

P

P0507 ISC SYSTEM

Description

INFOID:000000004297489

**NOTE:**

**If DTC P0507 is displayed with other DTC, first perform the trouble diagnosis for the other DTC.**

The ECM controls the engine idle speed to a specified level through the fine adjustment of the air, which is let into the intake manifold, by operating the electric throttle control actuator. The operating of the throttle valve is varied to allow for optimum control of the engine idling speed. The crankshaft position sensor (POS) detects the actual engine speed and sends a signal to the ECM.

The ECM controls the electric throttle control actuator so that the engine speed coincides with the target value memorized in the ECM. The target engine speed is the lowest speed at which the engine can operate steadily. The optimum value stored in the ECM is determined by taking into consideration various engine conditions, such as during warming up, deceleration and engine load (air conditioner, power steering and cooling fan operation, etc.).

On Board Diagnosis Logic

INFOID:000000004297490

DTC No.	Trouble diagnosis name	DTC detecting condition	Possible cause
P0507 0507	Idle speed control system RPM higher than expected	The idle speed is more than the target idle speed by 200 rpm or more.	<ul style="list-style-type: none"> <li>• Electric throttle control actuator</li> <li>• Intake air leak</li> <li>• PCV system</li> </ul>

DTC Confirmation Procedure

INFOID:000000004297491

**NOTE:**

- If the target idle speed is out of the specified value, perform, [EC-25, "Idle Air Volume Learning"](#), before conducting DTC Confirmation Procedure. For the target idle speed, refer to the [EC-488](#).
- If DTC Confirmation Procedure has been previously conducted, always perform the following before conducting the next step.

1. Turn ignition switch OFF and wait at least 10 seconds.
2. Turn ignition switch ON.
3. Turn ignition switch OFF and wait at least 10 seconds.

**TESTING CONDITION:**

- Before performing the following procedure, confirm that battery voltage is more than 11V at idle.
- Always perform the test at a temperature above -10°C(14°F).

1. Start engine and warm it up to normal operating temperature.
2. Turn ignition switch OFF and wait at least 10 seconds.
3. Turn ignition switch ON.
4. Turn ignition switch OFF and wait at least 10 seconds.
5. Start engine and run it for at least 1 minute at idle speed.
6. Check 1st trip DTC.
7. If 1st trip DTC is detected, go to [EC-292, "Diagnosis Procedure"](#).

Diagnosis Procedure

INFOID:000000004297492

**1.CHECK PCV HOSE CONNECTION**

Confirm that PCV hose is connected correctly.

OK or NG

- OK >> GO TO 2.
- NG >> Repair or replace.

**2.CHECK INTAKE AIR LEAK**

1. Start engine and let it idle.
2. Listen for an intake air leak after the mass air flow sensor.

OK or NG

- OK >> GO TO 3.
- NG >> Discover air leak location and repair.



**3**.REPLACE ECM

- 1. Stop engine.
- 2. Replace ECM.
- 3. Perform initialization of NVIS(NATS) system and registration of all NVIS(NATS) ignition key IDs. Refer to [SEC-8, "ADDITIONAL SERVICE WHEN REPLACING CONTROL UNIT : Special Repair Requirement"](#) (with Intelligent Key system) or [SEC-124, "ADDITIONAL SERVICE WHEN REPLACING CONTROL UNIT : Special Repair Requirement"](#) (without Intelligent Key System).
- 4. Perform [EC-25, "VIN Registration"](#).
- 5. Perform [EC-25, "Accelerator Pedal Released Position Learning"](#).
- 6. Perform [EC-25, "Throttle Valve Closed Position Learning"](#).
- 7. Perform [EC-25, "Idle Air Volume Learning"](#).

>> INSPECTION END

A  
EC  
C  
D  
E  
F  
G  
H  
I  
J  
K  
L  
M  
N  
O  
P

# P0550 PSP SENSOR

< COMPONENT DIAGNOSIS >

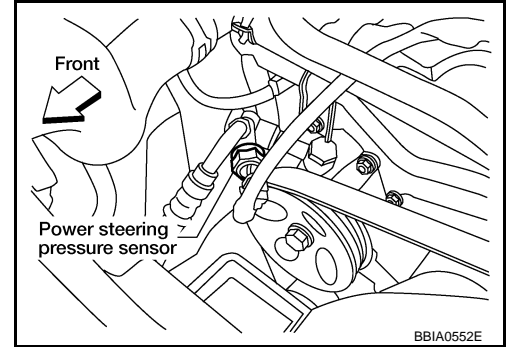
[VQ40DE]

## P0550 PSP SENSOR

### Component Description

INFOID:000000004297493

Power steering pressure (PSP) sensor is installed to the power steering high-pressure tube and detects a power steering load. This sensor is a potentiometer which transforms the power steering load into output voltage, and emits the voltage signal to the ECM. The ECM controls the electric throttle control actuator and adjusts the throttle valve opening angle to increase the engine speed and adjusts the idle speed for the increased load.



### On Board Diagnosis Logic

INFOID:000000004297494

The MIL will not illuminate for this diagnosis.

**NOTE:**

If DTC P0550 is displayed with DTC P0643, first perform the trouble diagnosis for DTC P0643. Refer to [EC-302](#).

DTC No.	Trouble diagnosis name	DTC detecting condition	Possible cause
P0550 0550	Power steering pressure sensor circuit	An excessively low or high voltage from the sensor is sent to ECM.	<ul style="list-style-type: none"><li>• Harness or connectors (The sensor circuit is open or shorted)</li><li>• Power steering pressure sensor</li></ul>

### DTC Confirmation Procedure

INFOID:000000004297495

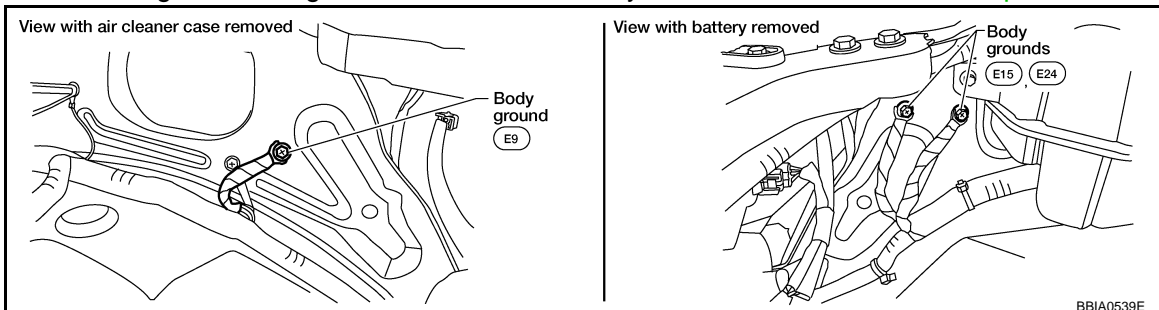
1. If DTC Confirmation Procedure has been previously conducted, always perform the following before conducting the next step.
  - a. Turn ignition switch OFF and wait at least 10 seconds.
  - b. Turn ignition switch ON.
  - c. Turn ignition switch OFF and wait at least 10 seconds.
2. Start engine and let it idle for at least 5 seconds.
3. Check 1st trip DTC.
4. If 1st trip DTC is detected, go to [EC-294. "Diagnosis Procedure"](#).

### Diagnosis Procedure

INFOID:000000004297496

#### 1. CHECK GROUND CONNECTIONS

1. Turn ignition switch OFF.
2. Loosen and retighten three ground screws on the body. Refer to [EC-95. "Ground Inspection"](#).



#### OK or NG

- OK >> GO TO 2.  
NG >> Repair or replace ground connections.

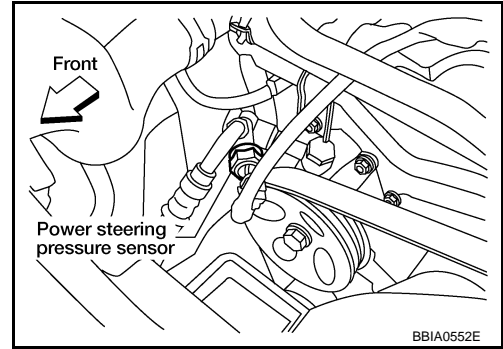
# P0550 PSP SENSOR

[VQ40DE]

< COMPONENT DIAGNOSIS >

## 2. CHECK PSP SENSOR POWER SUPPLY CIRCUIT

1. Disconnect power steering pressure (PSP) sensor harness connector.
2. Turn ignition switch ON.



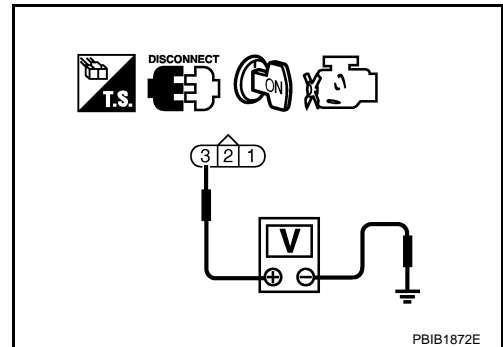
3. Check voltage between PSP sensor terminal 3 and ground with CONSULT-III or tester.

**Voltage: Approximately 5V**

OK or NG

OK >> GO TO 3.

NG >> Repair open circuit or short to ground or short to power in harness or connectors.



## 3. CHECK PSP SENSOR GROUND CIRCUIT FOR OPEN AND SHORT

1. Turn ignition switch OFF.
2. Disconnect ECM harness connector.
3. Check harness continuity between PSP sensor terminal 1 and ECM terminal 67. Refer to Wiring Diagram.

**Continuity should exist.**

4. Also check harness for short to ground and short to power.

OK or NG

OK >> GO TO 4.

NG >> Repair open circuit or short to ground or short to power in harness or connectors.

## 4. CHECK PSP SENSOR INPUT SIGNAL CIRCUIT FOR OPEN AND SHORT

1. Check harness continuity between ECM terminal 12 and PSP sensor terminal 2.

**Continuity should exist.**

2. Also check harness for short to ground and short to power.

OK or NG

OK >> GO TO 5.

NG >> Repair open circuit or short to ground or short to power in harness or connectors.

## 5. CHECK PSP SENSOR

Refer to [EC-296, "Component Inspection"](#).

OK or NG

OK >> GO TO 6.

NG >> Replace PSP sensor.

## 6. CHECK INTERMITTENT INCIDENT

Refer to [GI-49, "Intermittent Incident"](#).

>> INSPECTION END

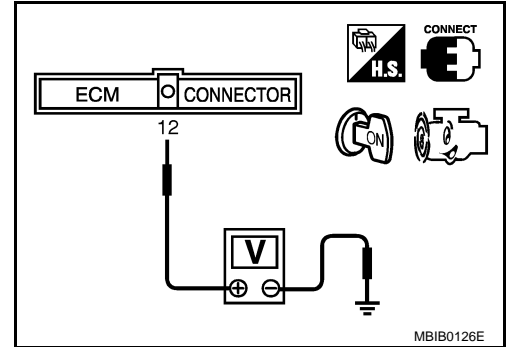
## Component Inspection

INFOID:000000004297497

### POWER STEERING PRESSURE SENSOR

1. Reconnect all harness connectors disconnected.
2. Start engine and let it idle.
3. Check voltage between ECM terminal 12 and ground under the following conditions.

Condition	Voltage
Steering wheel: being turned	0.5 - 4.5V
Steering wheel: not being turned	0.4 - 0.8V



# P0603 ECM POWER SUPPLY

< COMPONENT DIAGNOSIS >

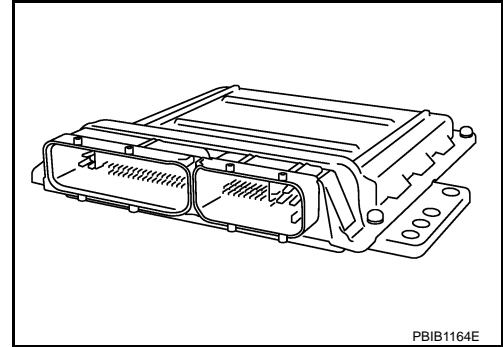
[VQ40DE]

## P0603 ECM POWER SUPPLY

### Component Description

INFOID:000000004297498

Battery voltage is supplied to the ECM even when the ignition switch is turned OFF for the ECM memory function of the DTC memory, the air-fuel ratio feedback compensation value memory, the idle air volume learning value memory, etc.



### On Board Diagnosis Logic

INFOID:000000004297499

DTC No.	Trouble diagnosis name	DTC detecting condition	Possible cause
P0603 0603	ECM power supply circuit	ECM back up RAM system does not function properly.	<ul style="list-style-type: none"><li>• Harness or connectors [ECM power supply (back up) circuit is open or shorted.]</li><li>• ECM</li></ul>

### DTC Confirmation Procedure

INFOID:000000004297500

1. If DTC Confirmation Procedure has been previously conducted, always perform the following before conducting the next step.
  - a. Turn ignition switch OFF and wait at least 10 seconds.
  - b. Turn ignition switch ON.
  - c. Turn ignition switch OFF and wait at least 10 seconds.
2. Start engine and let it idle for 1 second.
3. Turn ignition switch OFF, wait at least 10 seconds, and then turn it ON.
4. Repeat steps 2 and 3 for 4 times.
5. Check 1st trip DTC.
6. If 1st trip DTC is detected, go to [EC-297. "Diagnosis Procedure"](#).

### Diagnosis Procedure

INFOID:000000004297501

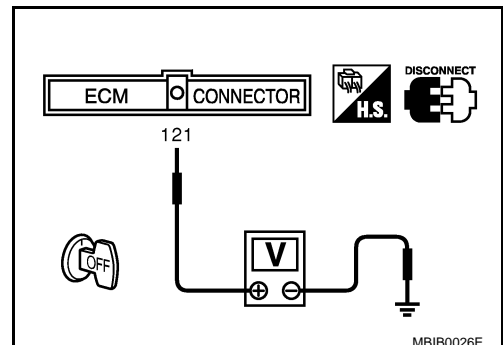
#### 1. CHECK ECM POWER SUPPLY

1. Turn ignition switch OFF.
2. Disconnect ECM harness connector.
3. Check voltage between ECM terminal 121 and ground with CONSULT-III or tester.

**Voltage: Battery voltage**

**OK or NG**

- OK >> GO TO 3.  
NG >> GO TO 2.



#### 2. DETECT MALFUNCTIONING PART

Check the following.

< COMPONENT DIAGNOSIS >

- 20 A fuse(No.53)
- IPDM E/R harness connector E121
- Harness for open or short between ECM and battery

>> Repair open circuit in harness or connectors.

### 3.CHECK INTERMITTENT INCIDENT

Refer to [GI-49, "Intermittent Incident"](#).

OK or NG

- OK >> GO TO 4.
- NG >> Repair or replace harness or connectors.

### 4.PERFORM DTC CONFIRMATION PROCEDURE

 **With CONSULT-III**

1. Turn ignition switch ON.
2. Select "SELF DIAG RESULTS" mode with CONSULT-III.
3. Touch "ERASE".
4. **Perform DTC Confirmation Procedure.**  
See [EC-297, "DTC Confirmation Procedure"](#).
5. Is the 1st trip DTC P0603 displayed again?

 **With GST**

1. Turn ignition switch ON.
2. Select Service \$04 with GST.
3. **Perform DTC Confirmation Procedure.**  
See [EC-297, "DTC Confirmation Procedure"](#).
4. Is the 1st trip DTC P0603 displayed again?

Yes or No

- Yes >> GO TO 5.
- No >> **INSPECTION END**

### 5.REPLACE ECM

1. Replace ECM.
2. Perform initialization of NVIS(NATS) system and registration of all NVIS(NATS) ignition key IDs. Refer to [SEC-8, "ADDITIONAL SERVICE WHEN REPLACING CONTROL UNIT : Special Repair Requirement"](#) (with Intelligent Key system) or [SEC-124, "ADDITIONAL SERVICE WHEN REPLACING CONTROL UNIT : Special Repair Requirement"](#) (without Intelligent Key system).
3. Perform [EC-25, "VIN Registration"](#).
4. Perform [EC-25, "Accelerator Pedal Released Position Learning"](#).
5. Perform [EC-25, "Throttle Valve Closed Position Learning"](#).
6. Perform [EC-25, "Idle Air Volume Learning"](#).

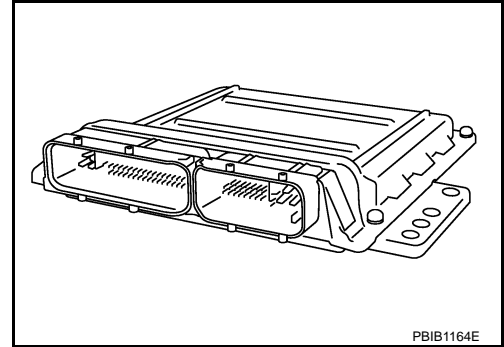
>> **INSPECTION END**

P0605 ECM

Component Description

INFOID:000000004297502

The ECM consists of a microcomputer and connectors for signal input and output and for power supply. The ECM controls the engine.



On Board Diagnosis Logic

INFOID:000000004297503

**This self-diagnosis has one or two trip detection logic.**

DTC No.	Trouble diagnosis name	DTC detecting condition		Possible cause
P0605 0605	Engine control module	A)	ECM calculation function is malfunctioning.	• ECM
		B)	ECM EEP-ROM system is malfunctioning.	
		C)	ECM self shut-off function is malfunctioning.	

FAIL-SAFE MODE

ECM enters fail-safe mode when the malfunction A is detected.

Detected items	Engine operation condition in fail-safe mode
Malfunction A	<ul style="list-style-type: none"> <li>• ECM stops the electric throttle control actuator control, throttle valve is maintained at a fixed opening (approx. 5 degrees) by the return spring.</li> <li>• ECM deactivates ASCD operation.</li> </ul>

DTC Confirmation Procedure

INFOID:000000004297504

**Perform PROCEDURE FOR MALFUNCTION A first. If the 1st trip DTC cannot be confirmed, perform PROCEDURE FOR MALFUNCTION B. If there is no malfunction on PROCEDURE FOR MALFUNCTION B, perform PROCEDURE FOR MALFUNCTION C.**

**NOTE:**

If DTC Confirmation Procedure has been previously conducted, always perform the following before conducting the next step.

1. Turn ignition switch OFF and wait at least 10 seconds.
2. Turn ignition switch ON.
3. Turn ignition switch OFF and wait at least 10 seconds.

PROCEDURE FOR MALFUNCTION A

1. Turn ignition switch ON.
2. Check 1st trip DTC.
3. If 1st trip DTC is detected, go to [EC-300. "Diagnosis Procedure"](#).

PROCEDURE FOR MALFUNCTION B

- ☐ With CONSULT-III
1. Turn ignition switch ON and wait at least 1 second.
  2. Check 1st trip DTC.
  3. If 1st trip DTC is detected, go to [EC-300. "Diagnosis Procedure"](#).

PROCEDURE FOR MALFUNCTION C

- ☐ With CONSULT-III
1. Turn ignition switch ON and wait at least 1 second.

< COMPONENT DIAGNOSIS >

2. Turn ignition switch OFF, wait at least 10 seconds, and then turn it ON.
3. Repeat step 2 for 32 times.
4. Check 1st trip DTC.
5. If 1st trip DTC is detected, go to [EC-300. "Diagnosis Procedure"](#).

Diagnosis Procedure

INFOID:000000004297505

1.INSPECTION START

 With CONSULT-III

1. Turn ignition switch ON.
2. Select "SELF DIAG RESULTS" mode with CONSULT-III.
3. Touch "ERASE".
4. **Perform DTC Confirmation Procedure.**  
See [EC-299. "DTC Confirmation Procedure"](#).
5. Is the 1st trip DTC P0605 displayed again?

 With GST

1. Turn ignition switch ON.
2. Select Service \$04 with GST.
3. **Perform DTC Confirmation Procedure.**  
See [EC-299. "DTC Confirmation Procedure"](#).
4. Is the 1st trip DTC P0605 displayed again?

Yes or No

- Yes >> GO TO 2.  
No >> **INSPECTION END**

2.REPLACE ECM

1. Replace ECM.
2. Perform initialization of NVIS (NATS) system and registration of all NVIS (NATS) ignition key IDs. Refer to [SEC-8. "ADDITIONAL SERVICE WHEN REPLACING CONTROL UNIT : Special Repair Requirement"](#) (with Intelligent Key system) or [SEC-124. "ADDITIONAL SERVICE WHEN REPLACING CONTROL UNIT : Special Repair Requirement"](#) (without Intelligent Key system).
3. Perform [EC-25. "VIN Registration"](#).
4. Perform [EC-25. "Accelerator Pedal Released Position Learning"](#).
5. Perform [EC-25. "Throttle Valve Closed Position Learning"](#).
6. Perform [EC-25. "Idle Air Volume Learning"](#).

>> **INSPECTION END**



P0607 ECM

Description

INFOID:000000004297273

CAN (Controller Area Network) is a serial communication line for real time application. It is an on-vehicle multiplex communication line with high data communication speed and excellent error detection ability. Many electronic control units are equipped onto a vehicle, and each control unit shares information and links with other control units during operation (not independent). In CAN communication, control units are connected with 2 communication lines (CAN H line, CAN L line) allowing a high rate of information transmission with less wiring. Each control unit transmits/receives data but selectively reads required data only.

On Board Diagnosis Logic

INFOID:000000004297274

This self-diagnosis has the one trip detection logic.

DTC No.	Trouble diagnosis name	DTC detecting condition	Possible cause
U0607 0607	CAN communication bus	When detecting error during the initial diagnosis of CAN controller of ECM.	• ECM

DTC Confirmation Procedure

INFOID:000000004297275

1. Turn ignition switch ON.
2. Check DTC.
3. If DTC is detected, go to [EC-301, "Diagnosis Procedure"](#).

Diagnosis Procedure

INFOID:000000004297276

1.INSPECTION START

 With CONSULT-III

1. Turn ignition switch ON.
2. Select "SELF-DIAG RESULTS" mode with CONSULT-III.
3. Touch "ERASE".
4. **Perform DTC Confirmation Procedure.**  
See [EC-301, "DTC Confirmation Procedure"](#).
5. Is the DTC P0607 displayed again?

 With GST

1. Turn ignition switch ON.
2. Select "Service \$04" with GST.
3. **Perform DTC Confirmation Procedure.**  
See [EC-301, "DTC Confirmation Procedure"](#).
4. Is the DTC P0607 displayed again?

Yes or No

- Yes >> GO TO 2.
- No >> **INSPECTION END**

2.REPLACE ECM

1. Replace ECM.
2. Perform initialization of NVIS (NATS) system and registration of all NVIS (NATS) ignition key IDs. Refer to [SEC-8, "ADDITIONAL SERVICE WHEN REPLACING CONTROL UNIT : Special Repair Requirement"](#) (with Intelligent Key system) or [SEC-124, "ADDITIONAL SERVICE WHEN REPLACING CONTROL UNIT : Special Repair Requirement"](#) (without Intelligent Key system).
3. Perform [EC-25, "VIN Registration"](#).
4. Perform [EC-25, "Accelerator Pedal Released Position Learning"](#).
5. Perform [EC-25, "Throttle Valve Closed Position Learning"](#).
6. Perform [EC-25, "Idle Air Volume Learning"](#).

>> **INSPECTION END**

# P0643 SENSOR POWER SUPPLY

< COMPONENT DIAGNOSIS >

[VQ40DE]

## P0643 SENSOR POWER SUPPLY

### On Board Diagnosis Logic

INFOID:000000004297506

This self-diagnosis has the one trip detection logic.

DTC No.	Trouble diagnosis name	DTC detecting condition	Possible cause
P0643 0643	Sensor power supply circuit short	ECM detects that the voltage of power source for sensor is excessively low or high.	<ul style="list-style-type: none"><li>• Harness or connectors (APP sensor 1 circuit is shorted.) (PSP sensor circuit is shorted.) (Refrigerant pressure sensor circuit is shorted.) (Battery current sensor circuit is shorted.) (EVAP control system pressure sensor circuit is shorted.)</li><li>• Accelerator pedal position sensor (APP sensor 1)</li><li>• EVAP control system pressure sensor</li><li>• Power steering pressure sensor</li><li>• Refrigerant pressure sensor</li><li>• Battery current sensor</li></ul>

### FAIL-SAFE MODE

When the malfunction is detected, ECM enters fail-safe mode and the MIL illuminates.

Engine operation condition in fail-safe mode

ECM stops the electric throttle control actuator control, throttle valve is maintained at a fixed opening (approx. 5 degrees) by the return spring.

### DTC Confirmation Procedure

INFOID:000000004297507

#### NOTE:

If DTC Confirmation Procedure has been previously conducted, always perform the following before conducting the next step.

1. Turn ignition switch OFF and wait at least 10 seconds.
2. Turn ignition switch ON.
3. Turn ignition switch OFF and wait at least 10 seconds.

#### TESTING CONDITION:

Before performing the following procedure, confirm that battery voltage is more than 10V at idle.

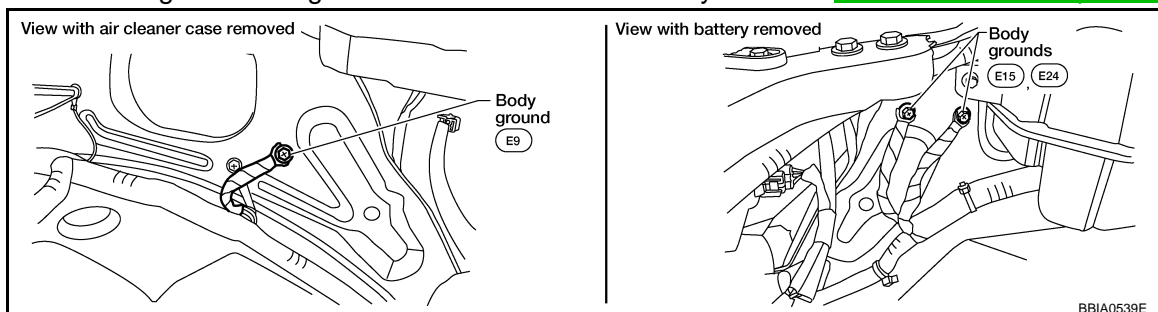
1. Start engine and let it idle for 1 second.
2. Check 1st trip DTC.
3. If DTC is detected, go to [EC-302, "Diagnosis Procedure"](#).

### Diagnosis Procedure

INFOID:000000004297508

#### 1. CHECK GROUND CONNECTIONS

1. Turn ignition switch OFF.
2. Loosen and retighten three ground three screws on the body. Refer to [EC-95, "Ground Inspection"](#).



# P0643 SENSOR POWER SUPPLY

[VQ40DE]

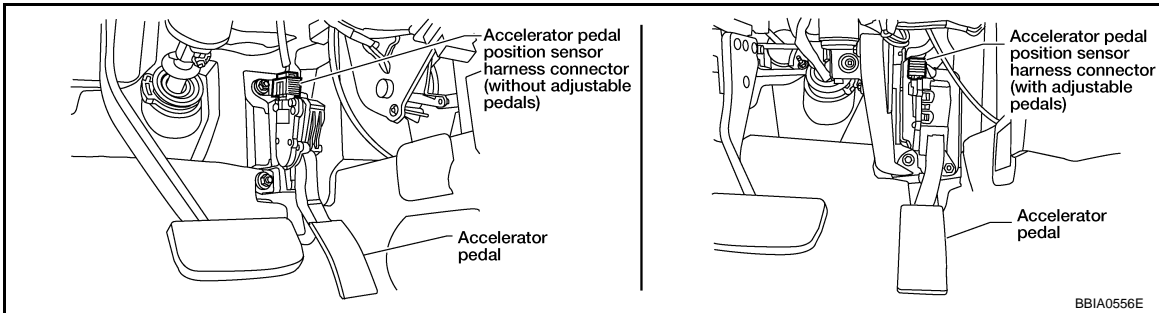
< COMPONENT DIAGNOSIS >

OK or NG

- OK >> GO TO 2.
- NG >> Repair or replace ground connections.

## 2.CHECK ACCELERATOR PEDAL POSITION SENSOR 1 POWER SUPPLY CIRCUIT

1. Disconnect accelerator pedal position (APP) sensor harness connector.

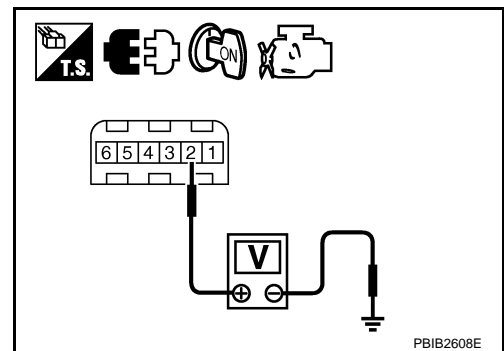


2. Turn ignition switch ON.
3. Check voltage between APP sensor terminal 2 and ground with CONSULT-III or tester.

**Voltage: Approximately 5V**

OK or NG

- OK >> GO TO 5.
- NG >> GO TO 3.



## 3.CHECK SENSOR POWER SUPPLY CIRCUITS

Check harness for short to power and short to ground, between the following terminals.

ECM terminal	Sensor terminal	Reference Wiring Diagram
48	EVAP control system pressure sensor terminal 3	<a href="#">EC-433</a>
49	Refrigerant pressure sensor terminal 3	
	Battery current sensor terminal 1	
68	PSP sensor terminal 3	
90	APP sensor terminal 2	

OK or NG

- OK >> GO TO 4.
- NG >> Repair short to ground or short to power in harness or connectors.

## 4.CHECK COMPONENTS

Check the following.

- EVAP control system pressure sensor (Refer to [EC-256, "Component Inspection"](#).)
- Refrigerant pressure sensor (Refer to [EC-414, "Component Description"](#).)
- Battery current sensor (Refer to [EC-322, "Component Inspection"](#).)
- Power steering pressure sensor (Refer to [EC-296, "Component Inspection"](#).)

OK or NG

- OK >> GO TO 5.
- NG >> Replace malfunctioning component.

## 5.CHECK APP SENSOR

Refer to [EC-367, "Component Inspection"](#).

OK or NG

- OK >> GO TO 7.

## P0643 SENSOR POWER SUPPLY

[VQ40DE]

< COMPONENT DIAGNOSIS >

---

NG >> GO TO 6.

### 6. REPLACE ACCELERATOR PEDAL ASSEMBLY

---

1. Replace accelerator pedal assembly.
2. Perform [EC-25. "Accelerator Pedal Released Position Learning"](#).
3. Perform [EC-25. "Throttle Valve Closed Position Learning"](#).
4. Perform [EC-25. "Idle Air Volume Learning"](#).

>> INSPECTION END

### 7. CHECK INTERMITTENT INCIDENT

---

Refer to [GI-49. "Intermittent Incident"](#).

>> INSPECTION END

# P0850 PNP SWITCH

< COMPONENT DIAGNOSIS >

[VQ40DE]

## P0850 PNP SWITCH

### Component Description

INFOID:000000004297509

When the selector lever position is P or N, park/neutral position (PNP) switch is ON. ECM detects the position because the continuity of the line (the ON signal) exists.

### On Board Diagnosis Logic

INFOID:000000004297510

DTC No.	Trouble diagnosis name	DTC detecting condition	Possible cause
P0850 0850	Park/neutral position switch	The signal of the park/neutral position (PNP) signal not change during driving after the engine is started.	<ul style="list-style-type: none"> <li>• Harness or connectors [The park/neutral position (PNP) switch circuit is open or shorted.]</li> <li>• Park/neutral position (PNP) switch</li> <li>• Combination meter</li> <li>• TCM</li> </ul>

### DTC Confirmation Procedure

INFOID:000000004297511

#### CAUTION:

**Always drive vehicle at a safe speed.**

#### NOTE:

If DTC Confirmation Procedure has been previously conducted, always perform the following before conducting the next step.

1. Turn ignition switch OFF and wait at least 10 seconds.
2. Turn ignition switch ON.
3. Turn ignition switch OFF and wait at least 10 seconds.

#### Ⓜ WITH CONSULT-III

1. Turn ignition switch ON.
2. Select "P/N POSI SW" in "DATA MONITOR" mode with CONSULT-III. Then check the "P/N POSI SW" signal under the following conditions.

Position (Selector lever)	Known-good signal
P or N position	ON
Except above position	OFF

If NG, go to [EC-306, "Diagnosis Procedure"](#).

If OK, go to following step.

3. Select "DATA MONITOR" mode with CONSULT-III.
4. Start engine and warm it up to normal operating temperature.
5. Maintain the following conditions for at least 60 consecutive seconds.

ENG SPEED	1,400 - 6,375 rpm
COOLAN TEMP/S	More than 70°C (158°F)
B/FUEL SCHDL	2.0 - 31.8 msec
VHCL SPEED SE	More than 64 km/h (40 MPH)
Selector lever	Suitable position

6. Check 1st trip DTC.
7. If 1st trip DTC is detected, go to [EC-306, "Diagnosis Procedure"](#).

### Overall Function Check

INFOID:000000004297512

Use this procedure to check the overall function of the park/neutral position (PNP) switch circuit. During this check, a 1st trip DTC might not be confirmed.

#### Ⓜ WITH GST

1. Turn ignition switch ON.

# P0850 PNP SWITCH

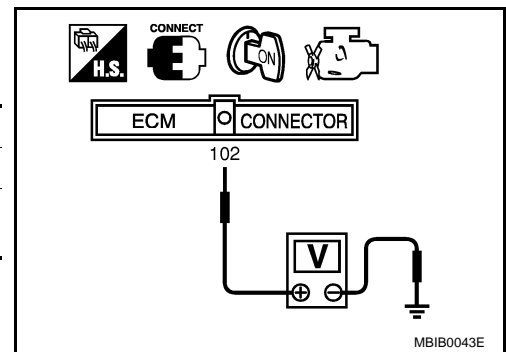
[VQ40DE]

## < COMPONENT DIAGNOSIS >

2. Check voltage between ECM terminal 102 (PNP switch signal) and ground under the following conditions.

Condition (Gear position)	Voltage V (Known-good data)
P or N position	Approx. 0
Except above position	BATTERY VOLTAGE (11 - 14V)

3. If NG, go to [EC-306, "Diagnosis Procedure"](#).



INFOID:000000004297513

## Diagnosis Procedure

### 1. CHECK DTC WITH TCM

Refer to [TM-123, "DTC Inspection Priority Chart"](#).

#### OK or NG

- OK >> GO TO 2.
- NG >> Repair or replace.

### 2. CHECK STARTING SYSTEM

Turn ignition switch OFF, then turn it to START.

#### Does starter motor operate?

#### Yes or No

- Yes >> GO TO 3.
- No >> Refer to [STR-8, "System Diagram"](#).

### 3. CHECK PNP SWITCH INPUT SIGNAL CIRCUIT FOR OPEN AND SHORT-II

1. Disconnect ECM harness connector.
2. Check harness continuity between ECM terminal 102 and combination meter terminal 7.  
Refer to Wiring Diagram.

#### Continuity should exist.

3. Also check harness for short to ground and short to power.

#### OK or NG

- OK >> GO TO 5.
- NG >> GO TO 4.

### 4. DETECT MALFUNCTIONING PART

Check the following.

- Harness connectors E152, M31
- Harness for open or short between ECM and combination meter

>> Repair open circuit or short to ground or short to power in harness or connectors.

### 5. CHECK INTERMITTENT INCIDENT

Refer to [GI-49, "Intermittent Incident"](#).

#### OK or NG

- OK >> GO TO 6.
- NG >> Repair or replace.

### 6. REPLACE COMBINATION METER

Refer to [MWI-94, "Removal and Installation"](#).

>> INSPECTION END

# P1148, P1168 CLOSED LOOP CONTROL

< COMPONENT DIAGNOSIS >

[VQ40DE]

## P1148, P1168 CLOSED LOOP CONTROL

### On Board Diagnosis Logic

INFOID:000000004297514

**These self-diagnoses have the one trip detection logic.**

DTC No.	Trouble diagnosis name	DTC detecting condition	Possible cause
P1148 1148 (Bank 1)	Closed loop control function	The closed loop control function for bank 1 does not operate even when vehicle is being driven in the specified condition.	<ul style="list-style-type: none"><li>• Harness or connectors [The air fuel ratio (A/F) sensor 1 circuit is open or shorted.]</li><li>• Air fuel ratio (A/F) sensor 1</li><li>• Air fuel ratio (A/F) sensor 1 heater</li></ul>
P1168 1168 (Bank 2)		The closed loop control function for bank 2 does not operate even when vehicle is being driven in the specified condition.	

DTC P1148 or P1168 is displayed with another DTC for air fuel ratio (A/F) sensor 1.  
Perform the trouble diagnosis for the corresponding DTC.

A  
EC  
C  
D  
E  
F  
G  
H  
I  
J  
K  
L  
M  
N  
O  
P

# P1211 TCS CONTROL UNIT

< COMPONENT DIAGNOSIS >

[VQ40DE]

## P1211 TCS CONTROL UNIT

### Description

INFOID:000000004297515

The malfunction information related to TCS is transferred through the CAN communication line from “ABS actuator and electric unit (control unit)” to ECM.

**Be sure to erase the malfunction information such as DTC not only for “ABS actuator and electric unit (control unit)” but also for ECM after TCS related repair.**

### On Board Diagnosis Logic

INFOID:000000004297516

**Freeze frame data is not stored in the ECM for this self-diagnosis. The MIL will not illuminate for this self-diagnosis.**

DTC No.	Trouble diagnosis name	DTC detecting condition	Possible cause
P1211 1211	TCS control unit	ECM receives malfunction information from “ABS actuator and electric unit (Control unit)”.	<ul style="list-style-type: none"><li>• ABS actuator and electric unit (control unit)</li><li>• TCS related parts</li></ul>

### DTC Confirmation Procedure

INFOID:000000004297517

#### TESTING CONDITION:

**Before performing the following procedure, confirm that battery voltage is more than 10.5V at idle.**

1. Start engine and let it idle for at least 60 seconds.
2. Check 1st trip DTC.
3. If 1st trip DTC is detected, go to [EC-308. "Diagnosis Procedure"](#).

### Diagnosis Procedure

INFOID:000000004297518

Go to [BRC-8. "Work Flow"](#) or [BRC-137. "Work Flow"](#).



# P1212 TCS COMMUNICATION LINE

< COMPONENT DIAGNOSIS >

[VQ40DE]

## P1212 TCS COMMUNICATION LINE

### Description

INFOID:000000004297519

#### NOTE:

- If DTC P1212 is displayed with DTC UXXXX, first perform the trouble diagnosis for DTC UXXXX.
- If DTC P1212 is displayed with DTC P0607, first perform the trouble diagnosis for DTC P0607. Refer to [EC-301, "On Board Diagnosis Logic"](#).

This CAN communication line is used to control the smooth engine operation during the TCS operation. Pulse signals are exchanged between ECM and "ABS actuator and electric unit (control unit)".

**Be sure to erase the malfunction information such as DTC not only for "ABS actuator and electric unit (control unit)" but also for ECM after TCS related repair.**

### On Board Diagnosis Logic

INFOID:000000004297520

**Freeze frame data is not stored in the ECM for this self-diagnosis. The MIL will not illuminate for this self-diagnosis.**

DTC No.	Trouble diagnosis name	DTC detecting condition	Possible cause
P1212 1212	TCS communication line	ECM cannot receive the information from "ABS actuator and electric unit (control unit)".	<ul style="list-style-type: none"><li>• Harness or connectors (The CAN communication line is open or shorted.)</li><li>• ABS actuator and electric unit (control unit)</li><li>• Dead (Weak) battery</li></ul>

### DTC Confirmation Procedure

INFOID:000000004297521

#### TESTING CONDITION:

**Before performing the following procedure, confirm that battery voltage is more than 10.5V at idle.**

1. Start engine and let it idle for at least 10 seconds.
2. Check 1st trip DTC.
3. If 1st trip DTC is detected, go to [EC-309, "Diagnosis Procedure"](#).

### Diagnosis Procedure

INFOID:000000004297522

Go to [BRC-8, "Work Flow"](#) or [BRC-137, "Work Flow"](#).

# P1217 ENGINE OVER TEMPERATURE

< COMPONENT DIAGNOSIS >

[VQ40DE]

## P1217 ENGINE OVER TEMPERATURE

### On Board Diagnosis Logic

INFOID:000000004297523

#### NOTE:

- If DTC P1217 is displayed with DTC UXXXX, first perform the trouble diagnosis for DTC UXXXX.
- If DTC P1217 is displayed with DTC P0607, first perform the trouble diagnosis for DTC P0607. Refer to [EC-301, "On Board Diagnosis Logic"](#).

If the cooling fan or another component in the cooling system malfunctions, engine coolant temperature will rise.

When the engine coolant temperature reaches an abnormally high temperature condition, a malfunction is indicated.

**This self-diagnosis has the one trip detection logic.**

DTC No.	Trouble diagnosis name	DTC detecting condition	Possible cause
P1217 1217	Engine over temperature (Overheat)	<ul style="list-style-type: none"><li>• Cooling fan does not operate properly (Overheat).</li><li>• Cooling fan system does not operate properly (Overheat).</li><li>• Engine coolant level was not added to the system using the proper filling method.</li><li>• Engine coolant is not within the specified range.</li></ul>	<ul style="list-style-type: none"><li>• Harness or connectors (The cooling fan circuit is open or shorted.)</li><li>• IPDM E/R</li><li>• Cooling fan</li><li>• Cooling fan (Crankshaft driven)</li><li>• Radiator hose</li><li>• Radiator</li><li>• Radiator cap</li><li>• Reservoir tank</li><li>• Reservoir tank cap</li><li>• Water pump</li><li>• Thermostat</li></ul> <p>For more information, refer to <a href="#">EC-312, "Main 12 Causes of Overheating"</a>.</p>

#### CAUTION:

When a malfunction is indicated, always replace the coolant. Refer to [CO-12, "Changing Engine Coolant"](#). Also, replace the engine oil. Refer to [LU-9, "Changing Engine Oil"](#).

1. Fill radiator with coolant up to specified level with a filling speed of 2 liters per minute. always use coolant with the proper mixture ratio. Refer to [MA-13, "Engine Oil Recommendation"](#).
2. After refilling coolant, run engine to ensure that no water-flow noise is emitted.

### Overall Function Check

INFOID:000000004297524

Use this procedure to check the overall function of the cooling fan. During this check, a DTC might not be confirmed.

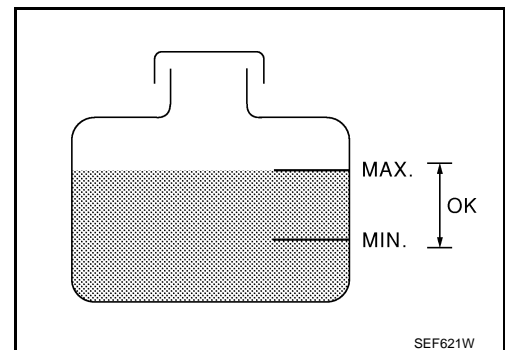
#### WARNING:

**Never remove the radiator cap and/or reservoir tank cap when the engine is hot. Serious burns could be caused by high pressure fluid escaping from the radiator and/or reservoir tank.**

**Wrap a thick cloth around cap. Carefully remove the cap by turning it a quarter turn to allow built-up pressure to escape. Then turn the cap all the way off.**

#### WITH CONSULT-III

1. Check the coolant level in the reservoir tank and radiator.  
**Allow engine to cool before checking coolant level.**  
If the coolant level in the reservoir tank and/or radiator is below the proper range, skip the following steps and go to [EC-311, "Diagnosis Procedure"](#).
2. Confirm whether customer filled the coolant or not. If customer filled the coolant, skip the following steps and go to [EC-311, "Diagnosis Procedure"](#).
3. Turn ignition switch ON.
4. Perform "COOLING FAN" in "ACTIVE TEST" mode with CONSULT-III.
5. If the results are NG, go to [EC-311, "Diagnosis Procedure"](#).



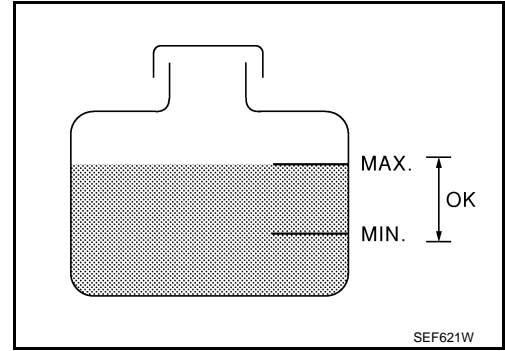
# P1217 ENGINE OVER TEMPERATURE

[VQ40DE]

## < COMPONENT DIAGNOSIS >

### WITH GST

1. Check the coolant level in the reservoir tank and radiator.  
**Allow engine to cool before checking coolant level.**  
If the coolant level in the reservoir tank and/or radiator is below the proper range, skip the following steps and go to [EC-311, "Diagnosis Procedure"](#).
2. Confirm whether customer filled the coolant or not. If customer filled the coolant, skip the following steps and go to [EC-311, "Diagnosis Procedure"](#).
3. Perform IPDM E/R auto active test and check cooling fan motor operation, refer to [EC-311, "Diagnosis Procedure"](#).
4. If NG, go to [EC-311, "Diagnosis Procedure"](#).



INFOID:000000004297525

## Diagnosis Procedure

### 1. CHECK COOLING FAN (CRANKSHAFT DRIVEN) OPERATION

1. Start engine and let it idle.
2. Make sure that cooling fan (crankshaft driven) operates normally.

#### OK or NG

OK (With CONSULT-III) >> GO TO 2.

OK (Without CONSULT-III) >> GO TO 3.

NG >> Check cooling fan (crankshaft driven). Refer to [CO-19, "Removal and Installation \(Crankshaft driven type\)"](#)

### 2. CHECK COOLING FAN OPERATION

#### With CONSULT-III

1. Start engine and let it idle.
2. Select "COOLING FAN" in "ACTIVE TEST" mode with CONSULT-III.
3. Make sure that cooling fan operates at each speed (LOW/HI).

#### OK or NG

OK >> GO TO 4.

NG >> Check cooling fan control circuit. (Go to "PROCEDURE A".)

### 3. CHECK COOLING FAN OPERATION

#### Without CONSULT-III

1. Perform IPDM E/R auto active test and check cooling fan motors operation, refer to [PCS-12, "Diagnosis Description"](#).
2. Make sure that cooling fan operates at each speed (Low/High).

#### OK or NG

OK >> GO TO 4.

NG >> Check cooling fan control circuit. (Go to "PROCEDURE A".)

### 4. CHECK COOLING SYSTEM FOR LEAK

Refer to [CO-11, "System Inspection"](#).

#### OK or NG

OK >> GO TO 5.

NG >> Check the following for leak. Refer to [CO-11, "System Inspection"](#).

- Hose
- Radiator
- Radiator cap
- Reservoir tank
- Water pump

### 5. CHECK RESERVOIR TANK CAP

Refer to [CO-11, "System Inspection"](#).

#### OK or NG

# P1217 ENGINE OVER TEMPERATURE

[VQ40DE]

## < COMPONENT DIAGNOSIS >

- OK >> GO TO 6.  
 NG >> Replace reservoir tank cap.

### 6. CHECK COMPONENT PARTS

Check the following

- Thermostat. Refer to [CO-27. "Removal and Installation"](#).
- Engine coolant temperature sensor. Refer to [EC-130. "Component Inspection"](#).

OK or NG

- OK >> GO TO 7.  
 NG >> Replace malfunctioning component.

### 7. CHECK MAIN 12 CAUSES

If the cause cannot be isolated, go to [EC-312. "Main 12 Causes of Overheating"](#).

>> **INSPECTION END**

## Main 12 Causes of Overheating

INFOID:000000004297526

Engine	Step	Inspection item	Equipment	Standard	Reference page
OFF	1	<ul style="list-style-type: none"> <li>• Blocked radiator</li> <li>• Blocked condenser</li> <li>• Blocked radiator grille</li> <li>• Blocked bumper</li> </ul>	• Visual	No blocking	—
	2	• Coolant mixture	• Coolant tester	<a href="#">CO-12. "Changing Engine Coolant"</a>	
	3	• Coolant level	• Visual	Coolant up to MAX level in reservoir tank and radiator filler neck	<a href="#">CO-12. "Changing Engine Coolant"</a>
	4	• Reservoir tank cap	• Pressure tester	59 - 98 kPa (0.6 - 1.0 kg/cm <sup>2</sup> , 9 - 14 psi) (Limit)	<a href="#">CO-11. "System Inspection"</a>
ON*2	5	• Coolant leaks	• Visual	No leaks	<a href="#">CO-11. "System Inspection"</a>
ON*2	6	• Thermostat	• Touch the upper and lower radiator hoses	Both hoses should be hot	<a href="#">CO-27. "Removal and Installation"</a>
ON*1	7	• Cooling fan	• CONSULT-III	Operating	See trouble diagnosis for DTC P1217 ( <a href="#">EC-390. "Diagnosis Procedure"</a> ).
ON*2	7	• Cooling fan (Crankshaft driven)	• Visual	Operating	See <a href="#">CO-19. "Removal and Installation (Crankshaft driven type)"</a> .
OFF	8	• Combustion gas leak	• Color checker chemical tester 4 Gas analyzer	Negative	—
ON*3	9	• Coolant temperature gauge	• Visual	Gauge less than 3/4 when driving	—
		• Coolant overflow to reservoir tank	• Visual	No overflow during driving and idling	<a href="#">CO-12. "Changing Engine Coolant"</a>
OFF*4	10	• Coolant return from reservoir tank to radiator	• Visual	Should be initial level in reservoir tank	<a href="#">CO-12. "Changing Engine Coolant"</a>
OFF	11	• Cylinder head	• Straight gauge feeler gauge	0.1 mm (0.004 in) Maximum distortion (warping)	<a href="#">EM-98. "Inspection After Disassembly"</a>
	12	• Cylinder block and pistons	• Visual	No scuffing on cylinder walls or piston	<a href="#">EM-98. "Inspection After Disassembly"</a>

\*1: Turn the ignition switch ON.

\*2: Engine running at 3,000 rpm for 10 minutes.

\*3: Drive at 90 km/h (55 MPH) for 30 minutes and then let idle for 10 minutes.

# P1217 ENGINE OVER TEMPERATURE

< COMPONENT DIAGNOSIS >

[VQ40DE]

\*4: After 60 minutes of cool down time.

For more information, refer to [CO-9. "Troubleshooting Chart"](#)

A

EC

C

D

E

F

G

H

I

J

K

L

M

N

O

P

# P1225 TP SENSOR

< COMPONENT DIAGNOSIS >

[VQ40DE]

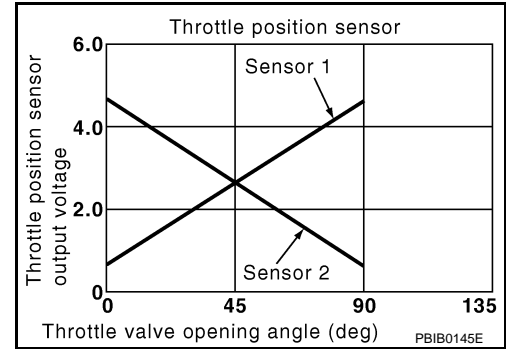
## P1225 TP SENSOR

### Component Description

INFOID:000000004297527

Electric throttle control actuator consists of throttle control motor, throttle position sensor, etc. The throttle position sensor responds to the throttle valve movement.

The throttle position sensor has the two sensors. These sensors are a kind of potentiometers which transform the throttle valve position into output voltage, and emit the voltage signal to the ECM. In addition, these sensors detect the opening and closing speed of the throttle valve and feed the voltage signals to the ECM. The ECM judges the current opening angle of the throttle valve from these signals and the ECM controls the throttle control motor to make the throttle valve opening angle properly in response to driving condition.



### On Board Diagnosis Logic

INFOID:000000004297528

**The MIL will not illuminate for this diagnosis.**

DTC No.	Trouble diagnosis name	DTC detecting condition	Possible cause
P1225 1225	Closed throttle position learning performance	Closed throttle position learning value is excessively low.	• Electric throttle control actuator (TP sensor 1 and 2)

### DTC Confirmation Procedure

INFOID:000000004297529

#### NOTE:

If DTC Confirmation Procedure has been previously conducted, always perform the following before conducting the next step.

1. Turn ignition switch OFF and wait at least 10 seconds.
2. Turn ignition switch ON.
3. Turn ignition switch OFF and wait at least 10 seconds.

#### TESTING CONDITION:

**Before performing the following procedure, confirm that battery voltage is more than 10V at idle.**

1. Turn ignition switch ON.
2. Turn ignition switch OFF and wait at least 10 seconds.
3. Turn ignition switch ON.
4. Check 1st trip DTC.
5. If 1st trip DTC is detected, go to [EC-314. "Diagnosis Procedure"](#).

### Diagnosis Procedure

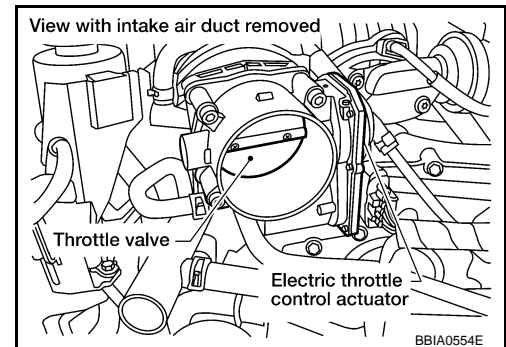
INFOID:000000004297530

#### 1. CHECK ELECTRIC THROTTLE CONTROL ACTUATOR VISUALLY

1. Turn ignition switch OFF.
2. Remove the intake air duct.
3. Check if foreign matter is caught between the throttle valve and the housing.

#### OK or NG

- OK >> GO TO 2.  
NG >> Remove the foreign matter and clean the electric throttle control actuator inside.



#### 2. REPLACE ELECTRIC THROTTLE CONTROL ACTUATOR

# P1225 TP SENSOR

[VQ40DE]

## < COMPONENT DIAGNOSIS >

1. Replace the electric throttle control actuator.
2. Perform [EC-25, "Throttle Valve Closed Position Learning"](#).
3. Perform [EC-25, "Idle Air Volume Learning"](#).

A

>> INSPECTION END

EC

C

D

E

F

G

H

I

J

K

L

M

N

O

P

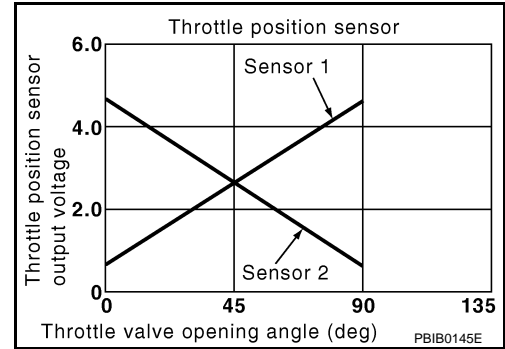
## P1226 TP SENSOR

### Component Description

INFOID:000000004297531

Electric throttle control actuator consists of throttle control motor, throttle position sensor, etc. The throttle position sensor responds to the throttle valve movement.

The throttle position sensor has the two sensors. These sensors are a kind of potentiometers which transform the throttle valve position into output voltage, and emit the voltage signal to the ECM. In addition, these sensors detect the opening and closing speed of the throttle valve and feed the voltage signals to the ECM. The ECM judges the current opening angle of the throttle valve from these signals and the ECM controls the throttle control motor to make the throttle valve opening angle properly in response to driving condition.



### On Board Diagnosis Logic

INFOID:000000004297532

**The MIL will not illuminate for this diagnosis.**

DTC No.	Trouble diagnosis name	DTC detecting condition	Possible cause
P1226 1226	Closed throttle position learning performance	Closed throttle position learning is not performed successfully, repeatedly.	<ul style="list-style-type: none"> <li>Electric throttle control actuator (TP sensor 1 and 2)</li> </ul>

### DTC Confirmation Procedure

INFOID:000000004297533

**NOTE:**

If DTC Confirmation Procedure has been previously conducted, always perform the following before conducting the next step.

1. Turn ignition switch OFF and wait at least 10 seconds.
2. Turn ignition switch ON.
3. Turn ignition switch OFF and wait at least 10 seconds.

**TESTING CONDITION:**

**Before performing the following procedure, confirm that battery voltage is more than 10V at idle.**

1. Turn ignition switch ON.
2. Turn ignition switch OFF and wait at least 10 seconds.
3. Turn ignition switch ON.
4. Repeat steps 2 and 3 for 32 times.
5. Check 1st trip DTC.
6. If 1st trip DTC is detected, go to [EC-316, "Diagnosis Procedure"](#).

### Diagnosis Procedure

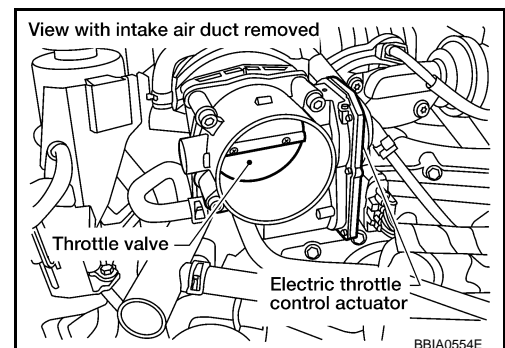
INFOID:000000004297534

#### 1. CHECK ELECTRIC THROTTLE CONTROL ACTUATOR VISUALLY

1. Turn ignition switch OFF.
2. Remove the intake air duct.
3. Check if foreign matter is caught between the throttle valve and the housing.

**OK or NG**

- OK >> GO TO 2.  
 NG >> Remove the foreign matter and clean the electric throttle control actuator inside.





# P1226 TP SENSOR

< COMPONENT DIAGNOSIS >

[VQ40DE]

## 2. REPLACE ELECTRIC THROTTLE CONTROL ACTUATOR

1. Replace the electric throttle control actuator.
2. Perform [EC-25, "Throttle Valve Closed Position Learning"](#).
3. Perform [EC-25, "Idle Air Volume Learning"](#).

>> INSPECTION END

A

EC

C

D

E

F

G

H

I

J

K

L

M

N

O

P

# P1421 COLD START CONTROL

< COMPONENT DIAGNOSIS >

[VQ40DE]

## P1421 COLD START CONTROL

### Description

INFOID:000000004297535

ECM controls ignition timing and engine idle speed when engine is started with prewarming up condition. This control promotes the activation of three way catalyst by heating the catalyst and reduces emissions.

### On Board Diagnosis Logic

INFOID:000000004297536

#### NOTE:

If DTC P1421 is displayed with other DTC, first perform the trouble diagnosis for other DTC.

DTC No.	Trouble diagnosis name	DTC detecting condition	Possible cause
P1421 1421	Cold start emission reduction strategy monitoring	ECM does not control ignition timing and engine idle speed properly when engine is started with prewarming up condition.	<ul style="list-style-type: none"><li>Lack of intake air volume</li><li>Fuel injection system</li><li>ECM</li></ul>

### DTC Confirmation Procedure

INFOID:000000004297537

#### NOTE:

If DTC Confirmation Procedure has been previously conducted, always perform the following before conducting the next step.

1. Turn ignition switch OFF and wait at least 10 seconds.
2. Turn ignition switch ON.
3. Turn ignition switch OFF and wait at least 10 seconds.

#### TESTING CONDITION:

Before performing the following procedure, confirm that battery voltage is more than 11V at idle.

#### ④ WITH CONSULT-III

1. Turn ignition switch OFF and wait at least 10 seconds.
2. Turn ignition switch ON.
3. Select "DATA MONITOR" mode with CONSULT-III.
4. Check that the "COOLAN TEMP/S" indication is between 4°C (39°F) and 36°C (97°F).  
If "COOLAN TEMP/S" indication is within the specified value, go to the following step.  
If "COOLAN TEMP/S" indication is out of the specified value, cool engine down or warm engine up and go to step 1.
5. Start engine and let it idle for 5 minutes.
6. Check 1st trip DTC.
7. If 1st trip DTC is detected, go to "DTC Confirmation Procedure".

#### ④ WITH GST

Follow the procedure "WITH CONSULT-III" above.

### Diagnosis Procedure

INFOID:000000004297538

#### 1. PERFORM IDLE AIR VOLUME LEARNING

Perform [EC-25, "Idle Air Volume Learning"](#).

Is Idle Air Volume Learning carried out successfully?

Yes or No

Yes >> GO TO 2.

No >> Follow the instruction of Idle Air Volume Learning.

#### 2. CHECK INTAKE SYSTEM

Check for the cause of intake air volume lacking. Refer to the following.

- Crushed intake air passage
- Intake air passage clogging

OK or NG

OK >> GO TO 3.

# P1421 COLD START CONTROL

[VQ40DE]

< COMPONENT DIAGNOSIS >

NG >> Repair or replace malfunctioning part

## 3. CHECK FUEL INJECTION SYSTEM FUNCTION

Perform [EC-181, "DTC Confirmation Procedure"](#) in DTC P0171, P0174 FUEL INJECTION SYSTEM FUNCTION.

OK or NG

OK >> GO TO 4.

NG >> Go to [EC-182, "Diagnosis Procedure"](#).

## 4. PERFORM DTC CONFIRMATION PROCEDURE

 **With CONSULT-III**

1. Turn ignition switch ON.
2. Select "SELF DIAG RESULTS" mode with CONSULT-III.
3. Touch "ERASE".
4. **Perform DTC Confirmation Procedure.**  
See [EC-318, "DTC Confirmation Procedure"](#).
5. Is the 1st trip DTC P1421 displayed again?

 **With GST**

1. Turn ignition switch ON.
2. Select Service \$04 with GST.
3. **Perform DTC Confirmation Procedure.**  
See [EC-318, "DTC Confirmation Procedure"](#).
4. Is the 1st trip DTC P1421 displayed again?

Yes or No

Yes >> GO TO 5.

No >> **INSPECTION END**

## 5. REPLACE ECM

1. Replace ECM.
2. Perform initialization of NVIS (NATS) system and registration of all NVIS (NATS) ignition key IDs.  
Refer to [SEC-8, "ADDITIONAL SERVICE WHEN REPLACING CONTROL UNIT : Special Repair Requirement"](#) (with Intelligent Key system) or [SEC-124, "ADDITIONAL SERVICE WHEN REPLACING CONTROL UNIT : Special Repair Requirement"](#) (without Intelligent Key system).
3. Perform [EC-25, "VIN Registration"](#).
4. Perform [EC-25, "Accelerator Pedal Released Position Learning"](#).
5. Perform [EC-25, "Throttle Valve Closed Position Learning"](#).
6. Perform [EC-25, "Idle Air Volume Learning"](#).

>> **INSPECTION END**

# P1550 BATTERY CURRENT SENSOR

< COMPONENT DIAGNOSIS >

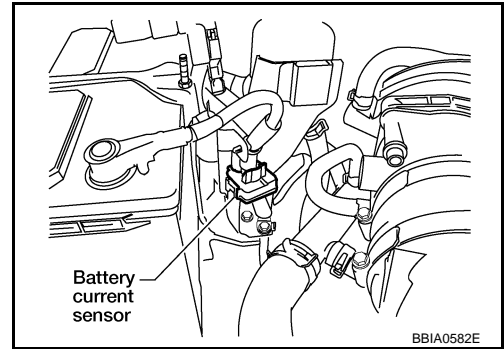
[VQ40DE]

## P1550 BATTERY CURRENT SENSOR

### Component Description

INFOID:000000004297539

The power generation voltage variable control enables fuel consumption to be decreased by reducing the engine load which is caused by the power generation of the generator. The battery current sensor is installed to the battery cable at the negative terminal. The sensor measures the charging/discharging current of the battery. Based on the sensor signal, ECM judges whether or not the power generation voltage variable control is performed. When performing the power generation voltage variable control, ECM calculates the target power generation voltage based on the sensor signal. And ECM sends the calculated value as the power generation command value to IPDM E/R. For the details of the power generation voltage variable control, refer to [CHG-7, "System Description"](#).



#### CAUTION:

**Never connect the electrical component or the ground wire directly to the battery terminal. The connection causes the malfunction of the power generation voltage variable control, and then battery discharge may occur.**

### On Board Diagnosis Logic

INFOID:000000004297540

The MIL will not illuminate for this diagnosis.

#### NOTE:

If DTC P1550 is displayed with DTC P0643, first perform the trouble diagnosis for DTC P0643. Refer to [EC-302](#).

DTC No.	Trouble diagnosis name	DTC detecting condition	Possible cause
P1550 1550	Battery current sensor circuit range/performance	The output voltage of the battery current sensor remains within the specified range while engine is running.	<ul style="list-style-type: none"><li>• Harness or connectors (The sensor circuit is open or shorted.)</li><li>• Battery current sensor</li></ul>

### DTC Confirmation Procedure

INFOID:000000004297541

#### NOTE:

If DTC Confirmation Procedure has been previously conducted, always perform the following before conducting the next step.

1. Turn ignition switch OFF and wait at least 10 seconds.
2. Turn ignition switch ON.
3. Turn ignition switch OFF and wait at least 10 seconds.

#### TESTING CONDITION:

**Before performing the following procedure, confirm that battery voltage is more than 8V at idle.**

1. Start engine and wait at least 10 seconds.
2. Check 1st trip DTC.
3. If 1st trip DTC is detected, go to [EC-320, "Diagnosis Procedure"](#).

### Diagnosis Procedure

INFOID:000000004297542

#### 1. CHECK GROUND CONNECTIONS

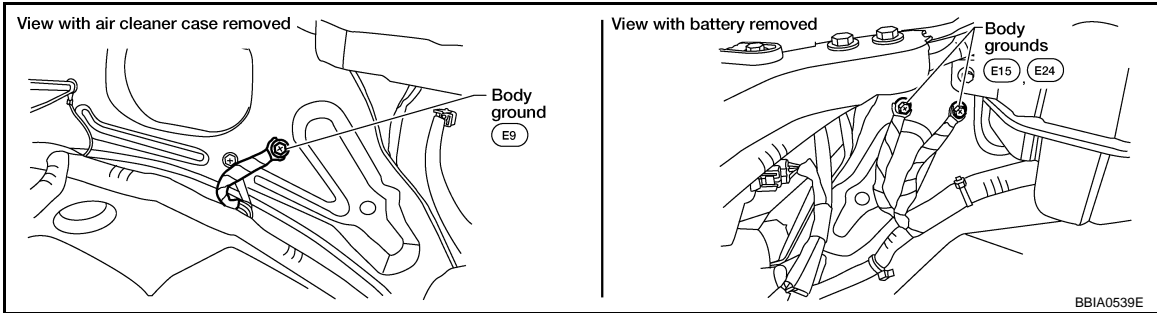
1. Turn ignition switch OFF.
2. Loosen and retighten three ground screws on the body.

# P1550 BATTERY CURRENT SENSOR

< COMPONENT DIAGNOSIS >

[VQ40DE]

Refer to [EC-95. "Ground Inspection"](#).



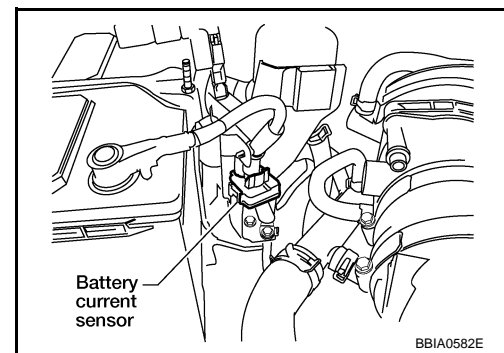
OK or NG

OK >> GO TO 2.

NG >> Repair or replace ground connections.

## 2. CHECK BATTERY CURRENT SENSOR POWER SUPPLY CIRCUIT

1. Disconnect battery current sensor harness connector.
2. Turn ignition switch ON.



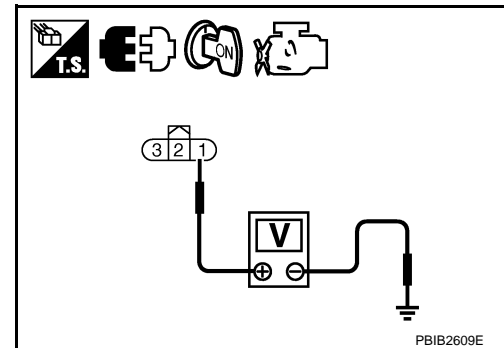
3. Check voltage between battery current sensor terminal 1 and ground with CONSULT-III or tester.

**Voltage: Approximately 5V**

OK or NG

OK >> GO TO 4.

NG >> GO TO 3.



## 3. DETECT MALFUNCTIONING PART

Check the following.

- Harness connectors E5, F14
- Harness for open or short between battery current sensor and ECM

>> Repair open circuit or short to ground or short to power in harness or connectors.

## 4. CHECK BATTERY CURRENT SENSOR GROUND CIRCUIT FOR OPEN AND SHORT

1. Turn ignition switch OFF.
2. Disconnect ECM harness connector.
3. Check harness continuity between battery current sensor terminal 2 and ECM terminal 67.

**Continuity should exist.**

4. Also check harness for short to ground and short to power.

OK or NG

OK >> GO TO 6.

NG >> GO TO 5.

# P1550 BATTERY CURRENT SENSOR

[VQ40DE]

< COMPONENT DIAGNOSIS >

## 5. DETECT MALFUNCTIONING PART

Check the following.

- Harness connectors E5, F14
- Harness for open or short between battery current sensor and ECM

>> Repair open circuit or short to ground or short to power in harness or connectors.

## 6. CHECK BATTERY CURRENT SENSOR INPUT SIGNAL CIRCUIT FOR OPEN AND SHORT

1. Check harness continuity between battery current sensor terminal 3 and ECM terminal 71.

**Continuity should exist.**

2. Also check harness for short to ground and short to power.

OK or NG

- OK >> GO TO 8.
- NG >> GO TO 7.

## 7. DETECT MALFUNCTIONING PART

Check the following.

- Harness connectors E5, F14
- Harness for open or short between battery current sensor and ECM

>> Repair open circuit or short to ground or short to power in harness or connectors.

## 8. CHECK BATTERY CURRENT SENSOR

Refer to [EC-322. "Component Inspection"](#).

OK or NG

- OK >> GO TO 9.
- NG >> Replace battery negative cable assembly.

## 9. CHECK INTERMITTENT INCIDENT

Refer to [GI-49. "Intermittent Incident"](#).

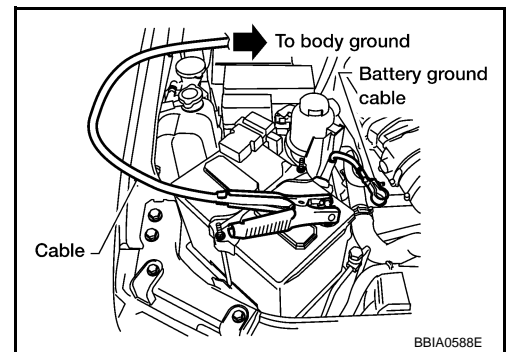
>> **INSPECTION END**

## Component Inspection

INFOID:000000004297543

### BATTERY CURRENT SENSOR

1. Reconnect harness connectors disconnected.
2. Disconnect battery negative cable.
3. Install jumper cable between battery negative terminal and body ground.
4. Turn ignition switch ON.



# P1550 BATTERY CURRENT SENSOR

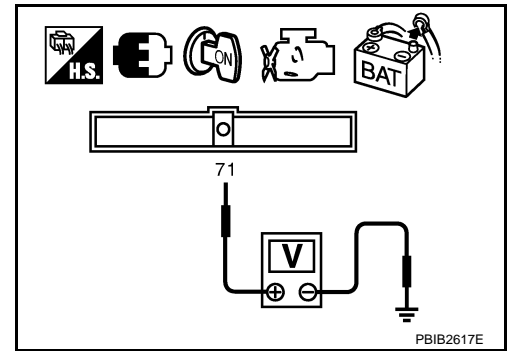
[VQ40DE]

## < COMPONENT DIAGNOSIS >

5. Check voltage between ECM terminal 71 (battery current sensor signal) and ground.

**Voltage: Approximately 2.5V**

6. If NG, replace battery negative cable assembly.



A

EC

C

D

E

F

G

H

I

J

K

L

M

N

O

P

# P1551, P1552 BATTERY CURRENT SENSOR

< COMPONENT DIAGNOSIS >

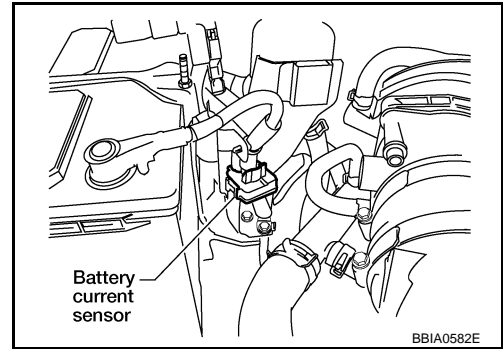
[VQ40DE]

## P1551, P1552 BATTERY CURRENT SENSOR

### Component Description

INFOID:000000004297544

The power generation voltage variable control enables fuel consumption to be decreased by reducing the engine load which is caused by the power generation of the generator. The battery current sensor is installed to the battery cable at the negative terminal. The sensor measures the charging/discharging current of the battery. Based on the sensor signal, ECM judges whether or not the power generation voltage variable control is performed. When performing the power generation voltage variable control, ECM calculates the target power generation voltage based on the sensor signal. And ECM sends the calculated value as the power generation command value to IPDM E/R. For the details of the power generation voltage variable control, refer to [CHG-7, "System Description"](#).



#### CAUTION:

Never connect the electrical component or the ground wire directly to the battery terminal. The connection causes the malfunction of the power generation voltage variable control, and then the battery discharge may occur.

### On Board Diagnosis Logic

INFOID:000000004297545

The MIL will not illuminate for this diagnosis.

#### NOTE:

If DTC P1551 or P1552 is displayed with DTC P0643, first perform the trouble diagnosis for DTC P0643. Refer to [EC-302](#).

DTC No.	Trouble diagnosis name	DTC detecting condition	Possible cause
P1551 1551	Battery current sensor circuit low input	An excessively low voltage from the sensor is sent to ECM.	• Harness or connectors (The sensor circuit is open or shorted.) • Battery current sensor
P1552 1552	Battery current sensor circuit high input	An excessively high voltage from the sensor is sent to ECM.	

### DTC Confirmation Procedure

INFOID:000000004297546

#### NOTE:

If DTC Confirmation Procedure has been previously conducted, always perform the following before conducting the next step.

1. Turn ignition switch OFF and wait at least 10 seconds.
2. Turn ignition switch ON.
3. Turn ignition switch OFF and wait at least 10 seconds.

#### TESTING CONDITION:

Before performing the following procedure, confirm that battery voltage is more than 8V with ignition switch ON

1. Turn ignition switch ON and wait at least 10 seconds.
2. Check 1st trip DTC.
3. If 1st trip DTC is detected, go to [EC-324, "Diagnosis Procedure"](#).

### Diagnosis Procedure

INFOID:000000004297547

#### 1. CHECK GROUND CONNECTIONS

1. Turn ignition switch OFF.
2. Loosen and retighten three ground screws on the body.

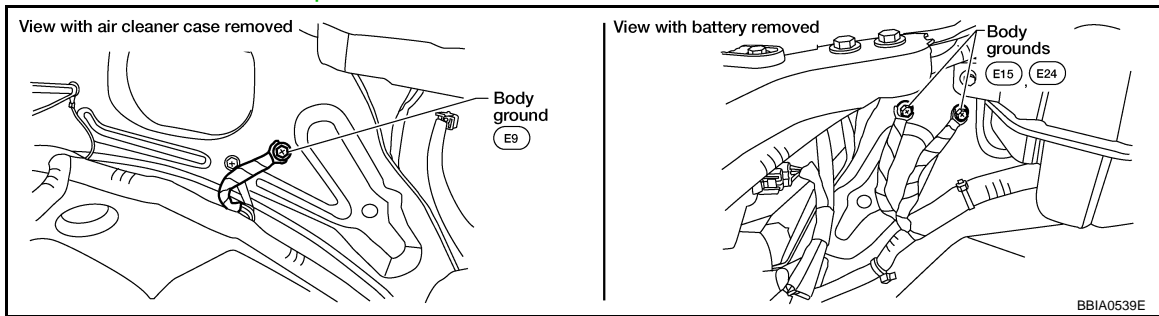


# P1551, P1552 BATTERY CURRENT SENSOR

< COMPONENT DIAGNOSIS >

[VQ40DE]

Refer to [EC-95. "Ground Inspection"](#).



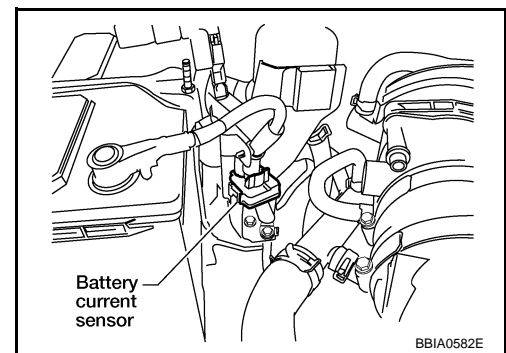
OK or NG

OK >> GO TO 2.

NG >> Repair or replace ground connections.

## 2. CHECK BATTERY CURRENT SENSOR POWER SUPPLY CIRCUIT

1. Disconnect battery current sensor harness connector.
2. Turn ignition switch ON.



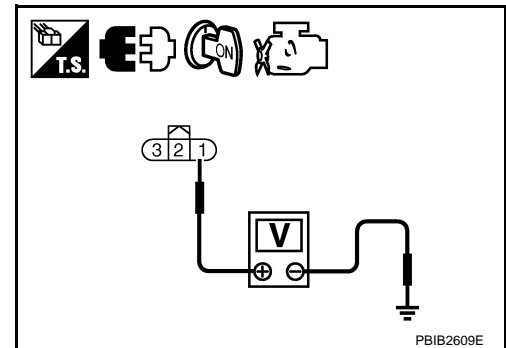
3. Check voltage between battery current sensor terminal 1 and ground with CONSULT-III or tester.

**Voltage: Approximately 5V**

OK or NG

OK >> GO TO 4.

NG >> GO TO 3.



## 3. DETECT MALFUNCTIONING PART

Check the following.

- Harness connectors E5, F14
- Harness for open or short between battery current sensor and ECM

>> Repair circuit or short to ground or short to power in harness or connectors.

## 4. CHECK BATTERY CURRENT SENSOR GROUND CIRCUIT FOR OPEN AND SHORT

1. Turn ignition switch OFF.
2. Disconnect ECM harness connector.
3. Check harness continuity between battery current sensor terminal 2 and ECM terminal 67.

**Continuity should exist.**

4. Also check harness for short to ground and short to power.

OK or NG

OK >> GO TO 6.

NG >> GO TO 5.

# P1551, P1552 BATTERY CURRENT SENSOR

< COMPONENT DIAGNOSIS >

[VQ40DE]

## 5. DETECT MALFUNCTIONING PART

Check the following.

- Harness connectors E5, F14
- Harness for open or short between battery current sensor and ECM

>> Repair circuit or short to ground or short to power in harness or connectors.

## 6. CHECK BATTERY CURRENT SENSOR INPUT SIGNAL CIRCUIT FOR OPEN AND SHORT

1. Check harness continuity between battery current sensor terminal 3 and ECM terminal 71.

**Continuity should exist.**

2. Also check harness for short to ground and short to power.

OK or NG

- OK >> GO TO 8.
- NG >> GO TO 7.

## 7. DETECT MALFUNCTIONING PART

Check the following.

- Harness connectors E5, F14
- Harness for open or short between battery current sensor and ECM

>> Repair circuit or short to ground or short to power in harness or connectors.

## 8. CHECK BATTERY CURRENT SENSOR

Refer to [EC-326. "Component Inspection"](#).

OK or NG

- OK >> GO TO 9.
- NG >> Replace battery negative cable assembly.

## 9. CHECK INTERMITTENT INCIDENT

Refer to [GI-49. "Intermittent Incident"](#).

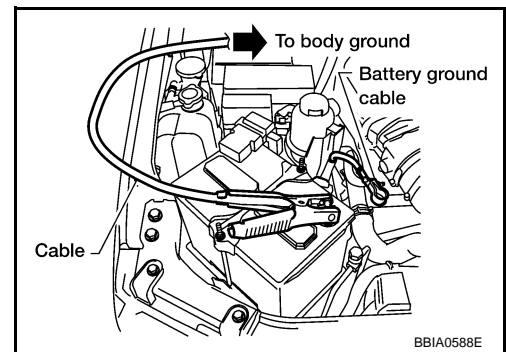
>> **INSPECTION END**

## Component Inspection

INFOID:000000004297548

### BATTERY CURRENT SENSOR

1. Reconnect harness connectors disconnected.
2. Disconnect battery negative cable.
3. Install jumper cable between battery negative terminal and body ground.
4. Turn ignition switch ON.



# P1551, P1552 BATTERY CURRENT SENSOR

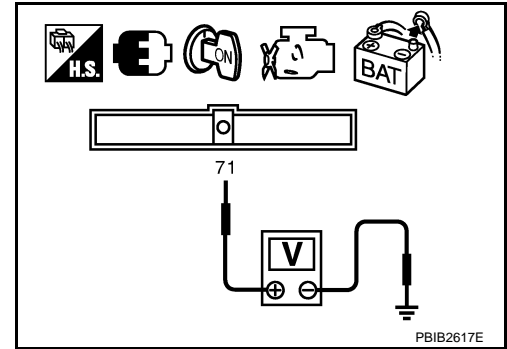
[VQ40DE]

## < COMPONENT DIAGNOSIS >

5. Check voltage between ECM terminal 71 (battery current sensor signal) and ground.

**Voltage: Approximately 2.5V**

6. If NG, replace battery negative cable assembly.



A

EC

C

D

E

F

G

H

I

J

K

L

M

N

O

P

# P1553 BATTERY CURRENT SENSOR

< COMPONENT DIAGNOSIS >

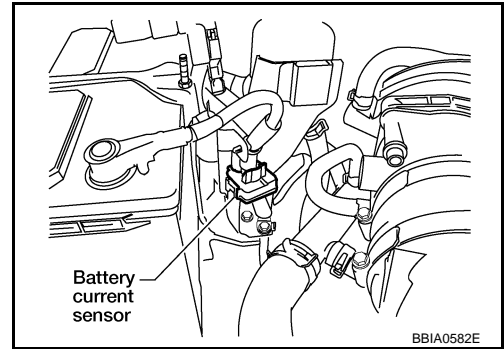
[VQ40DE]

## P1553 BATTERY CURRENT SENSOR

### Component Description

INFOID:000000004297549

The power generation voltage variable control enables fuel consumption to be decreased by reducing the engine load which is caused by the power generation of the generator. The battery current sensor is installed to the battery cable at the negative terminal. The sensor measures the charging/discharging current of the battery. Based on the sensor signal, ECM judges whether or not the power generation voltage variable control is performed. When performing the power generation voltage variable control, ECM calculates the target power generation voltage based on the sensor signal. And ECM sends the calculated value as the power generation command value to IPDM E/R. For the details of the power generation voltage variable control, refer to [CHG-7, "System Description"](#).



#### CAUTION:

**Never connect the electrical component or the ground wire directly to the battery terminal. The connection causes the malfunction of the power generation voltage variable control, and then the battery discharge may occur.**

### On Board Diagnosis Logic

INFOID:000000004297550

The MIL will not illuminate for this diagnosis.

#### NOTE:

If DTC P1553 is displayed with DTC P0643, first perform the trouble diagnosis for DTC P0643. Refer to [EC-302](#).

DTC No.	Trouble diagnosis name	DTC detecting condition	Possible cause
P1553 1553	Battery current sensor performance	The signal voltage transmitted from the sensor to ECM is higher than the amount of the maximum power generation.	<ul style="list-style-type: none"><li>• Harness or connectors (The sensor circuit is open or shorted.)</li><li>• Battery current sensor</li></ul>

### DTC Confirmation Procedure

INFOID:000000004297551

#### NOTE:

If DTC Confirmation Procedure has been previously conducted, always perform the following before conducting the next step.

1. Turn ignition switch OFF and wait at least 10 seconds.
2. Turn ignition switch ON.
3. Turn ignition switch OFF and wait at least 10 seconds.

#### TESTING CONDITION:

**Before performing the following procedure, confirm that battery voltage is more than 8V at idle.**

1. Start engine and wait at least 10 seconds.
2. Check 1st trip DTC.
3. If 1st trip DTC is detected, go to [EC-328, "Diagnosis Procedure"](#).

### Diagnosis Procedure

INFOID:000000004297552

#### 1. CHECK GROUND CONNECTIONS

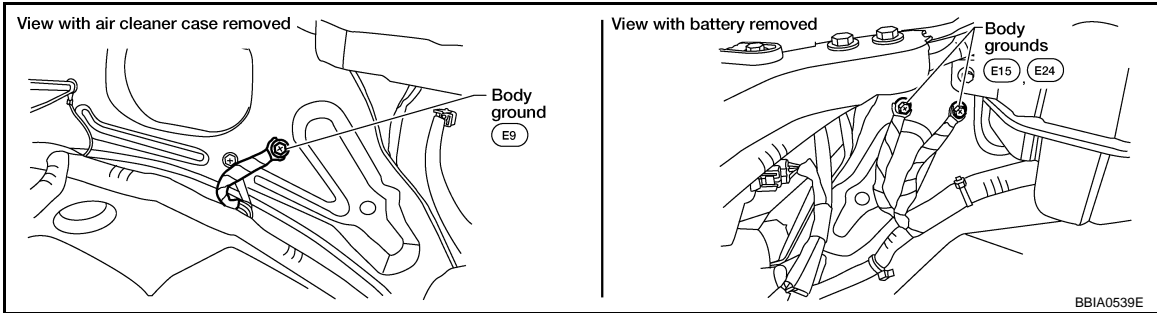
1. Turn ignition switch OFF.
2. Loosen and retighten three ground screws on the body.

# P1553 BATTERY CURRENT SENSOR

< COMPONENT DIAGNOSIS >

[VQ40DE]

Refer to [EC-95. "Ground Inspection"](#).

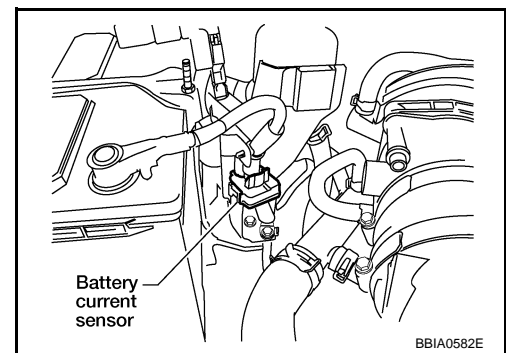


OK or NG

- OK >> GO TO 2.
- NG >> Repair or replace ground connections.

## 2. CHECK BATTERY CURRENT SENSOR POWER SUPPLY CIRCUIT

1. Disconnect battery current sensor harness connector.
2. Turn ignition switch ON.

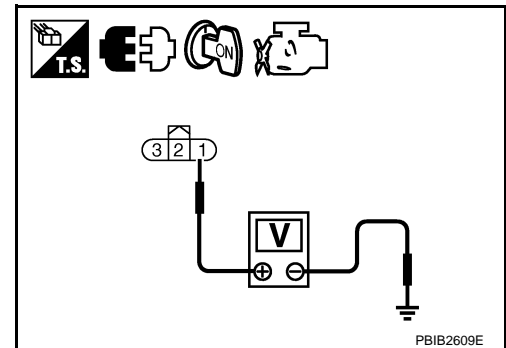


3. Check voltage between battery current sensor terminal 1 and ground with CONSULT-III or tester.

**Voltage: Approximately 5V**

OK or NG

- OK >> GO TO 4.
- NG >> GO TO 3.



## 3. DETECT MALFUNCTIONING PART

Check the following.

- Harness connectors E5, F14
- Harness for open or short between battery current sensor and ECM

>> Repair open circuit or short to ground or short to power in harness or connectors.

## 4. CHECK BATTERY CURRENT SENSOR GROUND CIRCUIT FOR OPEN AND SHORT

1. Turn ignition switch OFF.
2. Disconnect ECM harness connector.
3. Check harness continuity between battery current sensor terminal 2 and ECM terminal 67.

**Continuity should exist.**

4. Also check harness for short to ground and short to power.

OK or NG

- OK >> GO TO 6.
- NG >> GO TO 5.

# P1553 BATTERY CURRENT SENSOR

[VQ40DE]

< COMPONENT DIAGNOSIS >

## 5. DETECT MALFUNCTIONING PART

Check the following.

- Harness connectors E5, F14
- Harness for open or short between battery current sensor and ECM

>> Repair open circuit or short to ground or short to power in harness or connectors.

## 6. CHECK BATTERY CURRENT SENSOR INPUT SIGNAL CIRCUIT FOR OPEN AND SHORT

1. Check harness continuity between battery current sensor terminal 3 and ECM terminal 71.

**Continuity should exist.**

2. Also check harness for short to ground and short to power.

OK or NG

- OK >> GO TO 8.
- NG >> GO TO 7.

## 7. DETECT MALFUNCTIONING PART

Check the following.

- Harness connectors E5, F14
- Harness for open or short between battery current sensor and ECM

>> Repair open circuit or short to ground or short to power in harness or connectors.

## 8. CHECK BATTERY CURRENT SENSOR

Refer to [EC-330, "Component Inspection"](#).

OK or NG

- OK >> GO TO 9.
- NG >> Replace battery negative cable assembly.

## 9. CHECK INTERMITTENT INCIDENT

Refer to [GI-49, "Intermittent Incident"](#).

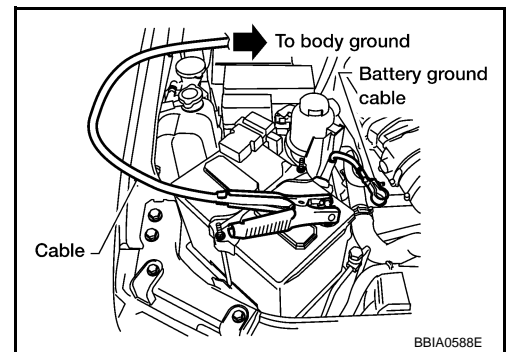
>> **INSPECTION END**

## Component Inspection

INFOID:000000004297553

### BATTERY CURRENT SENSOR

1. Reconnect harness connectors disconnected.
2. Disconnect battery negative cable.
3. Install jumper cable between battery negative terminal and body ground.
4. Turn ignition switch ON.



# P1553 BATTERY CURRENT SENSOR

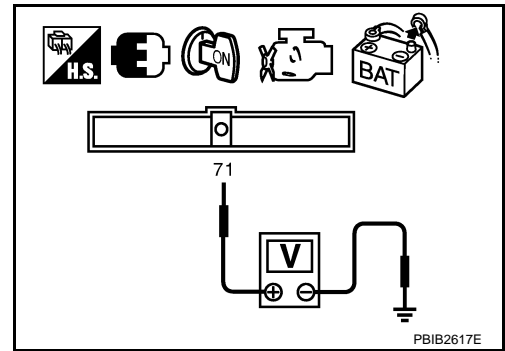
[VQ40DE]

## < COMPONENT DIAGNOSIS >

5. Check voltage between ECM terminal 71 (battery current sensor signal) and ground.

**Voltage: Approximately 2.5V**

6. If NG, replace battery negative cable assembly.



A

EC

C

D

E

F

G

H

I

J

K

L

M

N

O

P

# P1554 BATTERY CURRENT SENSOR

< COMPONENT DIAGNOSIS >

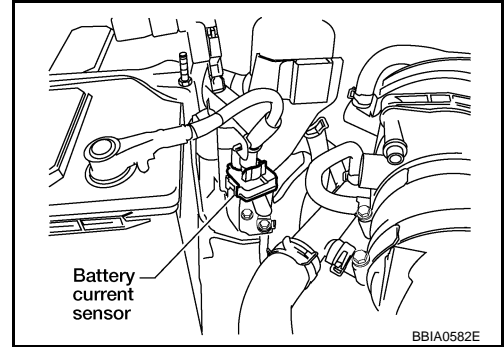
[VQ40DE]

## P1554 BATTERY CURRENT SENSOR

### Component Description

INFOID:000000004297554

The power generation voltage variable control enables fuel consumption to be decreased by reducing the engine load which is caused by the power generation of the generator. The battery current sensor is installed to the battery cable at the negative terminal. The sensor measures the charging/discharging current of the battery. Based on the sensor signal, ECM judges whether or not the power generation voltage variable control is performed. When performing the power generation voltage variable control, ECM calculates the target power generation voltage based on the sensor signal. And ECM sends the calculated value as the power generation command value to IPDM E/R. For the details of the power generation voltage variable control, refer to [CHG-7, "System Description"](#).



#### CAUTION:

**Never connect the electrical component or the ground wire directly to the battery terminal. The connection causes the malfunction of the power generation voltage variable control, and then the battery discharge may occur.**

### On Board Diagnosis Logic

INFOID:000000004297555

The MIL will not illuminate for this diagnosis.

#### NOTE:

If DTC P1554 is displayed with DTC P0643, first perform the trouble diagnosis for DTC P0643. Refer to [EC-302](#).

DTC No.	Trouble diagnosis name	DTC detecting condition	Possible cause
P1554 1554	Battery current sensor performance	The output voltage of the battery current sensor is lower than the specified value while the battery voltage is high enough.	<ul style="list-style-type: none"><li>• Harness or connectors (The sensor circuit is open or shorted.)</li><li>• Battery current sensor</li></ul>

### Overall Function Check

INFOID:000000004297556

Use this procedure to check the overall function of the battery current sensor circuit. During this check, a 1st trip DTC might not be confirmed.

#### TESTING CONDITION:

- Before performing the following procedure, confirm that battery voltage is more than 12.8V at idle.
- Before performing the following procedure, confirm that all load switches and A/C switch are turned OFF.

#### ④ WITH CONSULT-III

1. Start engine and let it idle.
2. Select "BAT CUR SEN" in "DATA MONITOR" mode with CONSULT-III.
3. Check "BAT CUR SEN" indication for 10 seconds.  
"BAT CUR SEN" should be above 2,300mV at least once.
4. If NG, go to [EC-333, "Diagnosis Procedure"](#).

#### ④ WITH GST

1. Start engine and let it idle.

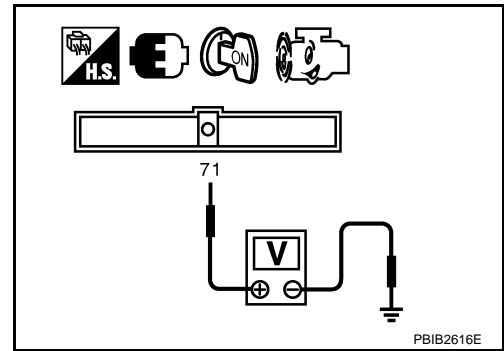


# P1554 BATTERY CURRENT SENSOR

[VQ40DE]

## < COMPONENT DIAGNOSIS >

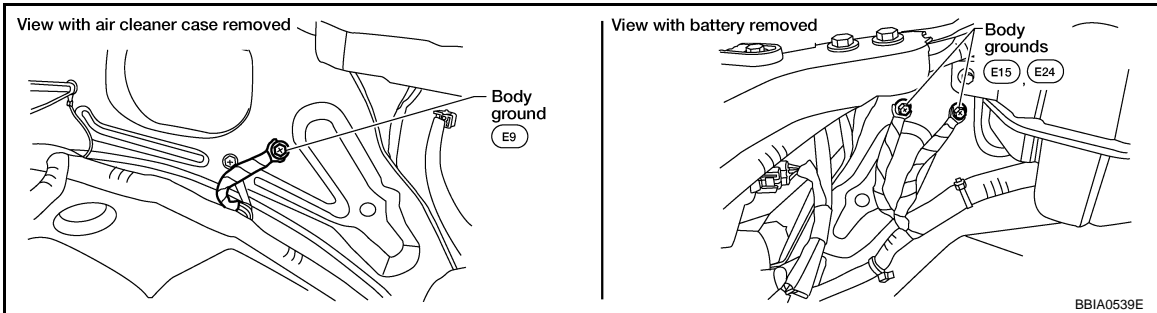
2. Check voltage between ECM terminal 71 (battery current sensor signal) and ground for 10 seconds.  
**The voltage should be above 2.3V at least once.**
3. If NG, go to [EC-333. "Diagnosis Procedure"](#).



## Diagnosis Procedure

### 1. CHECK GROUND CONNECTIONS

1. Turn ignition switch OFF.
2. Loosen and retighten three ground screws on the body.  
Refer to [EC-95. "Ground Inspection"](#).

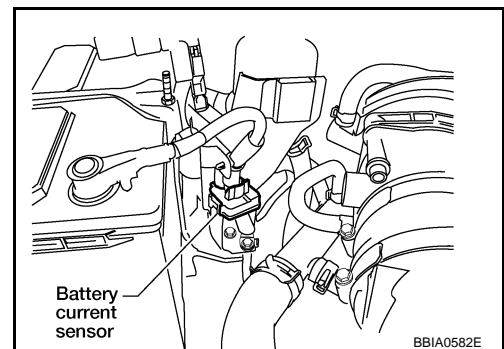


#### OK or NG

- OK >> GO TO 2.
- NG >> Repair or replace ground connections.

### 2. CHECK BATTERY CURRENT SENSOR POWER SUPPLY CIRCUIT

1. Disconnect battery current sensor harness connector.
2. Turn ignition switch ON.

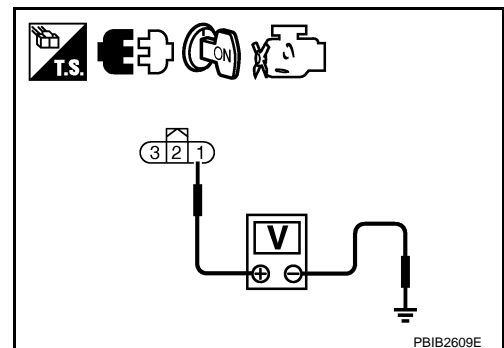


3. Check voltage between battery current sensor terminal 1 and ground with CONSULT-III or tester.

**Voltage: Approximately 5V**

#### OK or NG

- OK >> GO TO 4.
- NG >> GO TO 3.



### 3. DETECT MALFUNCTIONING PART

# P1554 BATTERY CURRENT SENSOR

[VQ40DE]

## < COMPONENT DIAGNOSIS >

Check the following.

- Harness connectors E5, F14
- Harness for open or short between battery current sensor and ECM

>> Repair open circuit or short to ground or short to power in harness or connectors.

### 4. CHECK BATTERY CURRENT SENSOR GROUND CIRCUIT FOR OPEN AND SHORT

1. Turn ignition switch OFF.
2. Disconnect ECM harness connector.
3. Check harness continuity between battery current sensor terminal 2 and ECM terminal 67.

**Continuity should exist.**

4. Also check harness for short to ground and short to power.

#### OK or NG

- OK >> GO TO 6.
- NG >> GO TO 5.

### 5. DETECT MALFUNCTIONING PART

Check the following.

- Harness connectors E5, F14
- Harness for open or short between battery current sensor and ECM

>> Repair open circuit or short to ground or short to power in harness or connectors.

### 6. CHECK BATTERY CURRENT SENSOR INPUT SIGNAL CIRCUIT FOR OPEN AND SHORT

1. Check harness continuity between battery current sensor terminal 3 and ECM terminal 71.

**Continuity should exist.**

2. Also check harness for short to ground and short to power.

#### OK or NG

- OK >> GO TO 8.
- NG >> GO TO 7.

### 7. DETECT MALFUNCTIONING PART

Check the following.

- Harness connectors E5, F14
- Harness for open or short between battery current sensor and ECM

>> Repair open circuit or short to ground or short to power in harness or connectors.

### 8. CHECK BATTERY CURRENT SENSOR

Refer to [EC-334, "Component Inspection"](#).

#### OK or NG

- OK >> GO TO 9.
- NG >> Replace battery negative cable assembly.

### 9. CHECK INTERMITTENT INCIDENT

Refer to [GI-49, "Intermittent Incident"](#).

>> **INSPECTION END**

## Component Inspection

INFOID:000000004297558

### BATTERY CURRENT SENSOR

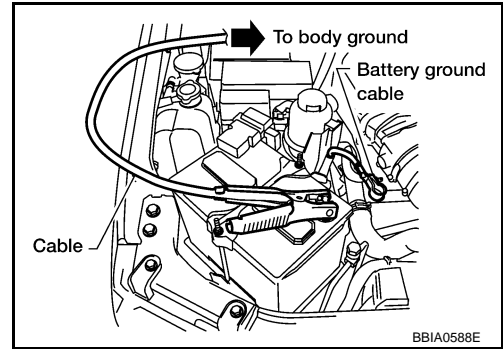
1. Reconnect harness connectors disconnected.
2. Disconnect battery negative cable.

# P1554 BATTERY CURRENT SENSOR

[VQ40DE]

## < COMPONENT DIAGNOSIS >

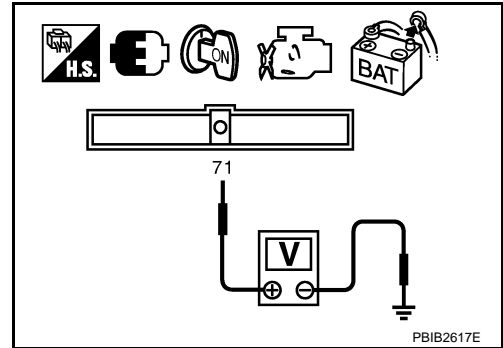
3. Install jumper cable between battery negative terminal and body ground.
4. Turn ignition switch ON.



5. Check voltage between ECM terminal 71 (battery current sensor signal) and ground.

**Voltage: Approximately 2.5V**

6. If NG, replace battery negative cable assembly.



A  
EC  
C  
D  
E  
F  
G  
H  
I  
J  
K  
L  
M  
N  
O  
P

# P1564 ASCD STEERING SWITCH

< COMPONENT DIAGNOSIS >

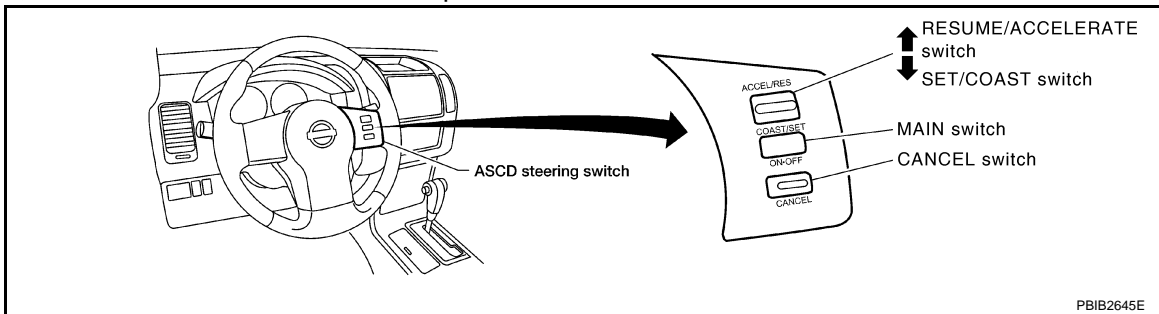
[VQ40DE]

## P1564 ASCD STEERING SWITCH

### Component Description

INFOID:000000004297559

ASCD steering switch has variant values of electrical resistance for each button. ECM reads voltage variation of switch, and determines which button is operated.



Refer to [EC-41, "System Description"](#) for the ASCD function.

### On Board Diagnosis Logic

INFOID:000000004297560

**This self-diagnosis has the one trip detection logic.**

**The MIL will not illuminate for this diagnosis.**

**NOTE:**

**If DTC P1564 is displayed with DTC P0605, first perform the trouble diagnosis for DTC P0605. Refer to [EC-299](#).**

DTC No.	Trouble Diagnosis Name	DTC Detecting Condition	Possible Cause
P1564 1564	ASCD steering switch	<ul style="list-style-type: none"> <li>An excessively high voltage signal from the ASCD steering switch is sent to ECM.</li> <li>ECM detects that input signal from the ASCD steering switch is out of the specified range.</li> <li>ECM detects that the ASCD steering switch is stuck ON.</li> </ul>	<ul style="list-style-type: none"> <li>Harness or connectors (The switch circuit is open or shorted.)</li> <li>ASCD steering switch</li> <li>ECM</li> </ul>

### DTC Confirmation Procedure

INFOID:000000004297561

**NOTE:**

If DTC Confirmation Procedure has been previously conducted, always perform the following before conducting the next step.

1. Turn ignition switch OFF and wait at least 10 seconds.
2. Turn ignition switch ON.
3. Turn ignition switch OFF and wait at least 10 seconds.

Ⓟ WITH CONSULT-III

1. Turn ignition switch ON and wait at least 10 seconds.
2. Press MAIN switch for at least 10 seconds, then release it and wait at least 10 seconds.
3. Press CANCEL switch for at least 10 seconds, then release it and wait at least 10 seconds.
4. Press RESUME/ACCELERATE switch for at least 10 seconds, then release it and wait at least 10 seconds.
5. Press SET/COAST switch for at least 10 seconds, then release it and wait at least 10 seconds.
6. Check DTC.
7. If DTC is detected, go to [EC-336, "Diagnosis Procedure"](#).

### Diagnosis Procedure

INFOID:000000004297562

#### 1. CHECK GROUND CONNECTIONS

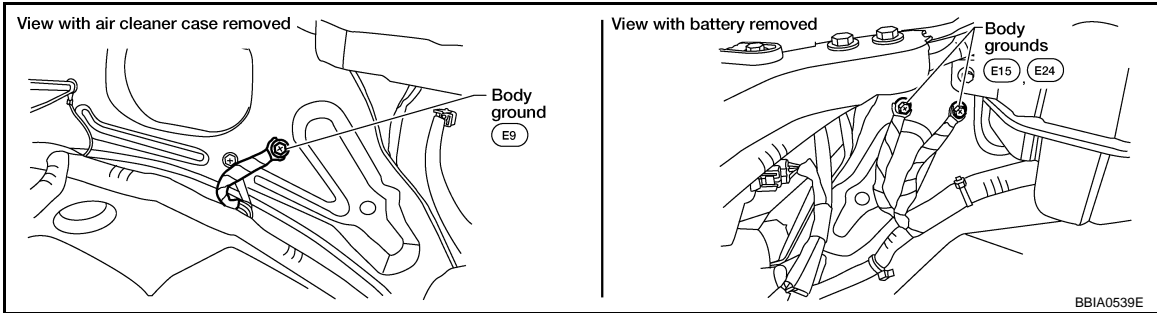
1. Turn ignition switch OFF.

# P1564 ASCD STEERING SWITCH

[VQ40DE]

## < COMPONENT DIAGNOSIS >

- Loosen and retighten three ground screws on the body. Refer to [EC-95. "Ground Inspection"](#).



### OK or NG

- OK >> GO TO 2.
- NG >> Repair or replace ground connections.

## 2. CHECK ASCD STEERING SWITCH CIRCUIT

### With CONSULT-III

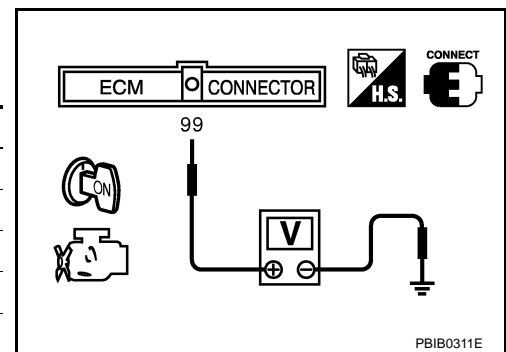
- Turn ignition switch ON.
- Select "MAIN SW", "CANCEL SW", "RESUME/ACC SW" and "SET SW" in "DATA MONITOR" mode with CONSULT-III.
- Check each item indication under the following conditions.

Switch	Monitor item	Condition	Indication
MAIN switch	MAIN SW	Pressed	ON
		Released	OFF
CANCEL switch	CANCEL SW	Pressed	ON
		Released	OFF
RESUME/ACCELERATE switch	RESUME/ACC SW	Pressed	ON
		Released	OFF
SET/COAST switch	SET SW	Pressed	ON
		Released	OFF

### Without CONSULT-III

- Turn ignition switch ON.
- Check voltage between ECM terminal 99 and ground with pressing each button.

Switch	Condition	Voltage [V]
MAIN switch	Pressed	Approx. 0
	Released	Approx. 4
CANCEL switch	Pressed	Approx. 1
	Released	Approx. 4
RESUME/ACCELERATE switch	Pressed	Approx. 3
	Released	Approx. 4
SET/COAST switch	Pressed	Approx. 2
	Released	Approx. 4



### OK or NG

- OK >> GO TO 8.
- NG >> GO TO 3.

## 3. CHECK ASCD STEERING SWITCH GROUND CIRCUIT FOR OPEN AND SHORT

- Turn ignition switch OFF.
- Disconnect combination switch harness connector.

# P1564 ASCD STEERING SWITCH

[VQ40DE]

## < COMPONENT DIAGNOSIS >

3. Disconnect ECM harness connector.
4. Check harness continuity between combination switch terminal 15 and ECM terminal 67. Refer to Wiring Diagram.

**Continuity should exist.**

5. Also check harness for short to ground and short to power.

### OK or NG

- OK >> GO TO 5.  
NG >> GO TO 4.

## 4. DETECT MALFUNCTIONING PART

Check the following.

- Harness connectors M31, E152
- Harness connectors E5, F14
- Combination switch (spiral cable)
- Harness for open and short between ECM and combination switch

>> Repair open circuit or short to ground or short to power in harness or connectors.

## 5. CHECK ASCD STEERING SWITCH INPUT SIGNAL CIRCUIT FOR OPEN AND SHORT

1. Check harness continuity between ECM terminal 99 and combination switch terminal 14. Refer to Wiring Diagram.

**Continuity should exist.**

2. Also check harness for short to ground and short to power.

### OK or NG

- OK >> GO TO 7.  
NG >> GO TO 6.

## 6. DETECT MALFUNCTIONING PART

Check the following.

- Harness connectors M31, E152
- Combination switch (spiral cable)
- Harness for open and short between ECM and combination switch

>> Repair open circuit or short to ground or short to power in harness or connectors.

## 7. CHECK ASCD STEERING SWITCH

Refer to [EC-338, "Component Inspection"](#).

### OK or NG

- OK >> GO TO 8.  
NG >> Replace steering switch.

## 8. CHECK INTERMITTENT INCIDENT

Refer to [GI-49, "Intermittent Incident"](#).

>> **INSPECTION END**

## Component Inspection

INFOID:000000004297563

### ASCD STEERING SWITCH

1. Disconnect combination switch (spiral cable).

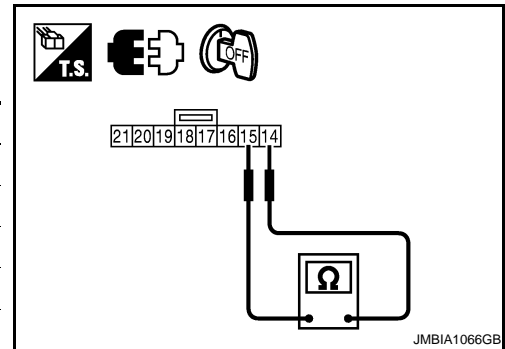
# P1564 ASCD STEERING SWITCH

[VQ40DE]

## < COMPONENT DIAGNOSIS >

- Check continuity between combination switch (spiral cable) terminals 14 and 15 with pushing each switch.

Switch	Condition	Resistance [ $\Omega$ ]
MAIN switch	Pressed	Approx. 0
	Released	Approx. 4,000
CANCEL switch	Pressed	Approx. 250
	Released	Approx. 4,000
RESUME/ACCELERATE switch	Pressed	Approx. 1,480
	Released	Approx. 4,000
SET/COAST switch	Pressed	Approx. 660
	Released	Approx. 4,000



A

EC

C

D

E

F

G

H

I

J

K

L

M

N

O

P

# P1572 ASCD BRAKE SWITCH

< COMPONENT DIAGNOSIS >

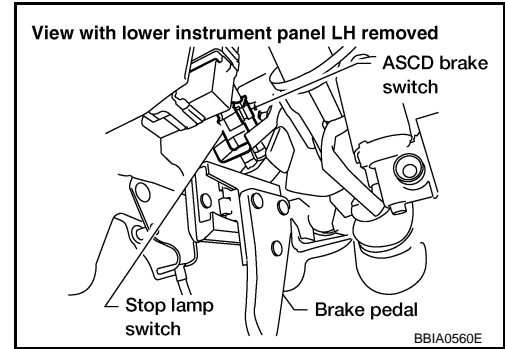
[VQ40DE]

## P1572 ASCD BRAKE SWITCH

### Component Description

INFOID:000000004297564

When the brake pedal is depressed, ASCD brake switch is turned OFF and stop lamp switch is turned ON. ECM detects the state of the brake pedal by those two types of input (ON/OFF signal). Refer to [EC-41, "System Description"](#) for the ASCD function.



### On Board Diagnosis Logic

INFOID:000000004297565

**This self-diagnosis has the one trip detection logic.  
The MIL will not illuminate for this diagnosis.**

**NOTE:**

- If DTC P 1572 is displayed with DTC P0605, first perform the trouble diagnosis for DTC P0605. Refer to [EC-299](#).
- This self-diagnosis has the one trip detection logic. When malfunction A is detected, DTC is not stored in ECM memory. And in that case, 1st trip DTC and 1st trip freeze frame data are displayed. 1st trip DTC is erased when ignition switch is turn OFF. And even when malfunction A is detected in two consecutive trips, DTC is not stored in ECM memory.

DTC No.	Trouble Diagnosis Name	DTC Detecting Condition		Possible Cause
P1572 1572	ASC D brake switch	A)	When the vehicle speed is above 30km/h (19 MPH), ON signals from the stop lamp switch and the ASCD brake switch are sent to ECM at the same time.	<ul style="list-style-type: none"> <li>• Harness or connectors (The stop lamp switch circuit is shorted.)</li> <li>• Harness or connectors (The ASCD brake switch circuit is shorted.)</li> <li>• Stop lamp switch</li> <li>• ASCD brake switch</li> <li>• Incorrect stop lamp switch installation</li> <li>• Incorrect ASCD brake switch installation</li> <li>• ECM</li> </ul>
		B)	ASC D brake switch signal is not sent to ECM for extremely long time while the vehicle is being driven	

### DTC Confirmation Procedure

INFOID:000000004297566

**CAUTION:**

**Always drive vehicle at a safe speed.**

**NOTE:**

- The procedure for malfunction B is not described. It takes an extremely long time to complete the procedure for malfunction B. By performing the procedure for malfunction A, the condition that causes malfunction B can be detected.
- If DTC Confirmation Procedure has been previously conducted, always perform the following before conducting the next step.
  1. Turn ignition switch OFF and wait at least 10 seconds.
  2. Turn ignition switch ON.
  3. Turn ignition switch OFF and wait at least 10 seconds.

**TESTING CONDITION:**

**Steps 4 and 5 may be conducted with the drive wheels lifted in the shop or by driving the vehicle. If a road test is expected to be easier, it is unnecessary to lift the vehicle.**

④ WITH CONSULT-III

1. Start engine (VDC switch OFF).
2. Select "DATA MONITOR" mode with CONSULT-III.
3. Press MAIN switch and make sure that CRUISE indicator illuminates.



# P1572 ASCD BRAKE SWITCH

[VQ40DE]

## < COMPONENT DIAGNOSIS >

4. Drive the vehicle for at least 5 consecutive seconds under the following condition.

VHCL SPEED SE	More than 30 km/h (19 MPH)
Selector lever	Suitable position

5. Check 1st trip DTC.  
 If DTC is detected, go to [EC-341, "Diagnosis Procedure"](#).  
 If DTC is not detected, go to the following step.

6. Drive the vehicle for at least 5 consecutive seconds under the following condition.

VHCL SPEED SE	More than 30 km/h (19 MPH)
Selector lever	Suitable position
Driving location	Depress the brake pedal for more than five seconds so as not to come off from the above-mentioned vehicle speed.

7. Check 1st trip DTC.  
 8. If DTC is detected, go to [EC-341, "Diagnosis Procedure"](#).

### WITH GST

Follow the procedure "WITH CONSULT-III" above.

## Diagnosis Procedure

INFOID:000000004297567

### 1.CHECK OVERALL FUNCTION-I

#### With CONSULT-III

- Turn ignition switch ON.
- Select "BRAKE SW1" in "DATA MONITOR" mode with CONSULT-III.
- Check "BRAKE SW1" indication under the following conditions.

CONDITION	INDICATION
When brake pedal: Slightly depressed	OFF
When brake pedal: Fully released	ON

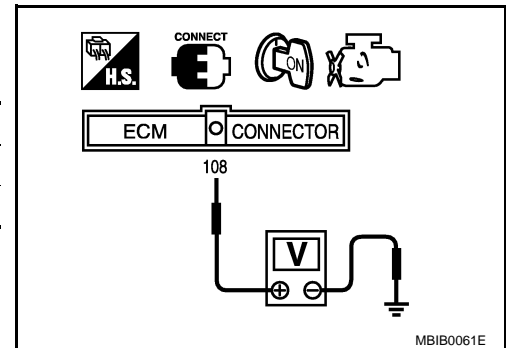
#### Without CONSULT-III

- Turn ignition switch ON.
- Check voltage between ECM terminal 108 and ground under the following conditions.

CONDITION	VOLTAGE
When brake pedal: Slightly depressed	Approximately 0V
When brake pedal: Fully released	Battery voltage

#### OK or NG

- OK >> GO TO 2.  
 NG >> GO TO 3.



### 2.CHECK OVERALL FUNCTION-II

#### With CONSULT-III

Check "BRAKE SW2" indication in "DATA MONITOR" mode.

CONDITION	INDICATION
When brake pedal: Fully released	OFF
When brake pedal: Slightly depressed	ON

#### Without CONSULT-III

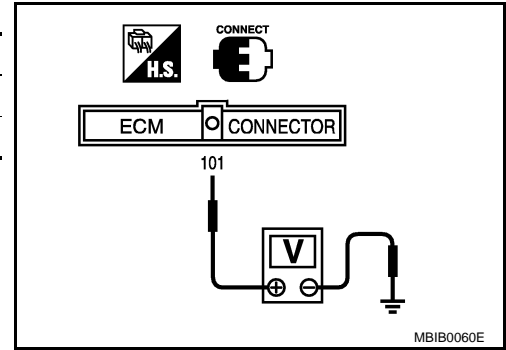
# P1572 ASCD BRAKE SWITCH

[VQ40DE]

## < COMPONENT DIAGNOSIS >

Check voltage between ECM terminal 101 and ground under the following conditions.

CONDITION	VOLTAGE
When brake pedal: Fully released	Approximately 0V
When brake pedal: Slightly depressed	Battery voltage

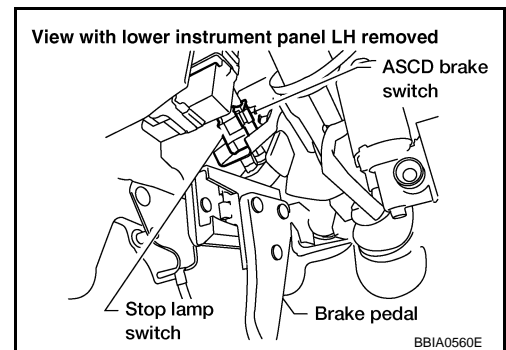


### OK or NG

- OK >> GO TO 11.
- NG >> GO TO 7.

## 3. CHECK ASCD BRAKE SWITCH POWER SUPPLY CIRCUIT

1. Turn ignition switch OFF.
2. Disconnect ASCD brake switch harness connector.
3. Turn ignition switch ON.

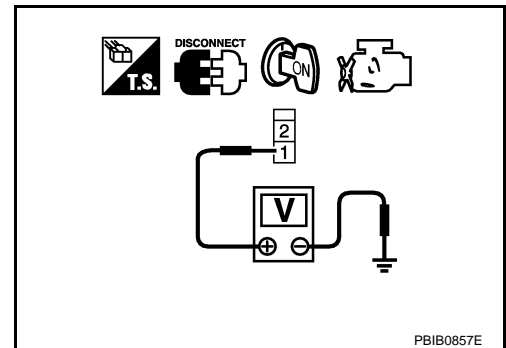


4. Check voltage between ASCD brake switch terminal 1 and ground with CONSULT-III or tester.

**Voltage: Battery voltage**

### OK or NG

- OK >> GO TO 5.
- NG >> GO TO 4.



## 4. DETECT MALFUNCTIONING PART

Check the following.

- Fuse block (J/B) connector E160
- 10 A fuse (No.12)
- Harness for open or short between ASCD brake switch and fuse

>> Repair open circuit or short to ground in harness or connectors.

## 5. CHECK ASCD BRAKE SWITCH INPUT SIGNAL CIRCUIT FOR OPEN AND SHORT

1. Turn ignition switch OFF.
2. Disconnect ECM harness connector.
3. Check harness continuity between ECM terminal 108 and ASCD brake switch terminal 2. Refer to Wiring Diagram.

**Continuity should exist.**

# P1572 ASCD BRAKE SWITCH

[VQ40DE]

## < COMPONENT DIAGNOSIS >

- Also check harness for short to ground and short to power.

### OK or NG

OK >> GO TO 6.

NG >> Repair open circuit or short to ground or short to power in harness or connectors.

## 6.CHECK ASCD BRAKE SWITCH

Refer to [EC-344, "Component Inspection"](#).

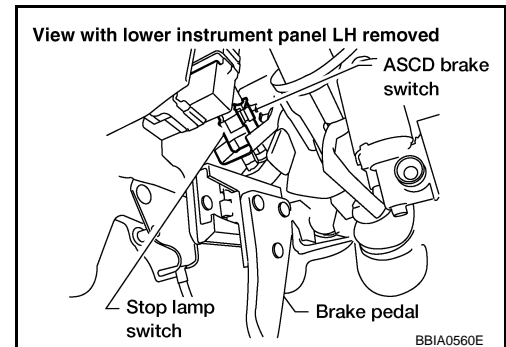
### OK or NG

OK >> GO TO 11.

NG >> Replace ASCD brake switch.

## 7.CHECK STOP LAMP SWITCH POWER SUPPLY CIRCUIT

- Turn ignition switch OFF.
- Disconnect stop lamp switch harness connector.



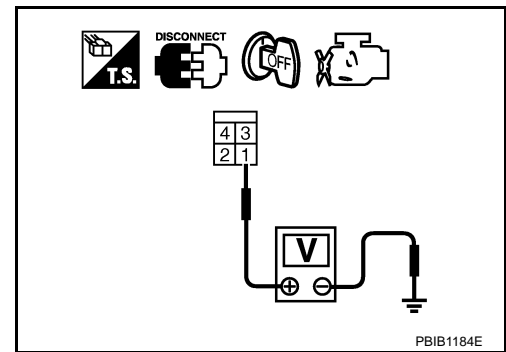
- Check voltage between stop lamp switch terminal 1 and ground with CONSULT-III or tester.

**Voltage: Battery voltage**

### OK or NG

OK >> GO TO 9.

NG >> GO TO 8.



## 8.DETECT MALFUNCTIONING PART

Check the following.

- Fuse block (J/B) connector E160
- 10 A fuse (No.20)
- Harness for open or short between stop lamp switch and battery

>> Repair open circuit or short to ground or short to power in harness or connectors.

## 9.CHECK STOP LAMP SWITCH INPUT SIGNAL CIRCUIT FOR OPEN AND SHORT

- Disconnect ECM harness connector.
- Check harness continuity between ECM terminal 101 and stop lamp switch terminal 2. Refer to Wiring Diagram.

**Continuity should exist.**

- Also check harness for short to ground and short to power.

### OK or NG

OK >> GO TO 10.

NG >> Repair open circuit or short to ground or short to power in harness or connectors.

## 10.CHECK STOP LAMP SWITCH

# P1572 ASCD BRAKE SWITCH

[VQ40DE]

< COMPONENT DIAGNOSIS >

Refer to [EC-344. "Component Inspection"](#).

**OK or NG**

OK >> GO TO 11.

NG >> Replace stop lamp switch.

## 11. CHECK INTERMITTENT INCIDENT

Refer to [GI-49. "Intermittent Incident"](#).

>> **INSPECTION END**

## Component Inspection

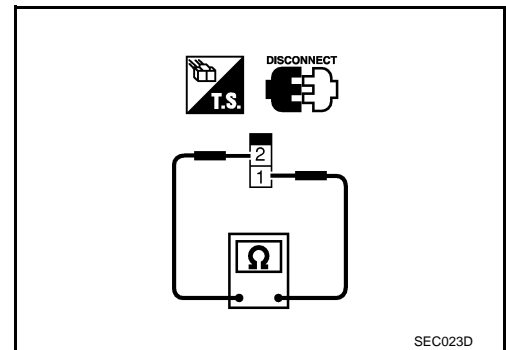
INFOID:000000004297568

### ASC D BRAKE SWITCH

1. Turn ignition switch OFF.
2. Disconnect ASCD brake switch harness connector.
3. Check harness continuity between ASCD brake switch terminals 1 and 2 under the following conditions.

Condition	Continuity
When brake pedal: Fully released.	Should exist.
When brake pedal: Slightly depressed.	Should not exist.

If NG, adjust ASCD brake switch installation, refer to [BR-17. "Inspection and Adjustment - Standard Pedal"](#) and perform step 3 again.

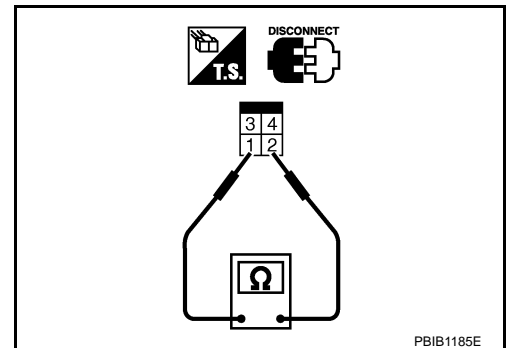


### STOP LAMP SWITCH

1. Turn ignition switch OFF.
2. Disconnect stop lamp switch harness connector.
3. Check harness continuity between stop lamp switch terminals 1 and 2 under the following conditions.

Condition	Continuity
When brake pedal: Fully released.	Should not exist.
When brake pedal: Slightly depressed.	Should exist.

If NG, adjust stop lamp switch installation, refer to [BR-17. "Inspection and Adjustment - Standard Pedal"](#), and perform step 3 again.



# P1574 ASCD VEHICLE SPEED SENSOR

< COMPONENT DIAGNOSIS >

[VQ40DE]

## P1574 ASCD VEHICLE SPEED SENSOR

### Component Description

INFOID:000000004297569

The ECM receives two vehicle speed sensor signals via CAN communication line. One is sent from combination meter, and the other is from TCM (Transmission control module). The ECM uses these signals for ASCD control. Refer to [EC-41, "System Description"](#) for ASCD functions.

### On Board Diagnosis Logic

INFOID:000000004297570

**This self-diagnosis has the one trip detection logic.  
The MIL will not illuminate for this diagnosis.**

#### NOTE:

- If DTC P1574 is displayed with DTC UXXXX, first perform the trouble diagnosis for DTC UXXXX.
- If DTC P1574 is displayed with DTC P0607, first perform the trouble diagnosis for DTC P0607. Refer to [EC-301, "On Board Diagnosis Logic"](#).
- If DTC P1574 is displayed with DTC P0500, first perform the trouble diagnosis for DTC P0500. Refer to [EC-288, "Description"](#).
- If DTC P1574 is displayed with DTC P0605, first perform the trouble diagnosis for DTC P0605. Refer to [EC-299, "Component Description"](#).

DTC No.	Trouble Diagnosis Name	DTC Detecting Condition	Possible Cause
P1574 1574	ASCD vehicle speed sensor	The difference between the two vehicle speed signals is out of the specified range.	<ul style="list-style-type: none"><li>• Harness or connectors (The CAN communication line is open or shorted.)</li><li>• Combination meter</li><li>• ABS actuator and electric unit (control unit)</li><li>• Wheel sensor</li><li>• TCM</li><li>• ECM</li></ul>

### DTC Confirmation Procedure

INFOID:000000004297571

#### CAUTION:

**Always drive vehicle at a safe speed.**

#### NOTE:

If DTC Confirmation Procedure has been previously conducted, always perform the following before conducting the next step.

1. Turn ignition switch OFF and wait at least 10 seconds.
2. Turn ignition switch ON.
3. Turn ignition switch OFF and wait at least 10 seconds.

#### TESTING CONDITION:

**Step 3 may be conducted with the drive wheels lifted in the shop or by driving the vehicle. If a road test is expected to be easier, it is unnecessary to lift the vehicle.**

1. Start engine.
2. Drive the vehicle at more than 40 km/h (25 MPH).
3. Check DTC.
4. If DTC is detected, go to [EC-345, "Diagnosis Procedure"](#).

### Diagnosis Procedure

INFOID:000000004297572

#### 1.CHECK DTC WITH TCM

Check DTC with TCM. Refer to [TM-34, "OBD-II Diagnostic Trouble Code \(DTC\)"](#).

#### OK or NG

- OK >> GO TO 2.
- NG >> Perform trouble shooting relevant to DTC indicated.

#### 2.CHECK DTC WITH "ABS ACTUATOR AND ELECTRIC UNIT (CONTROL UNIT)"

Refer to [BRC-8, "Work Flow"](#) or [BRC-137, "Work Flow"](#).

## P1574 ASCD VEHICLE SPEED SENSOR

[VQ40DE]

< COMPONENT DIAGNOSIS >

---

OK or NG

OK >> GO TO 3.

NG >> Repair or replace.

**3.**CHECK COMBINATION METER FUNCTION

---

Refer to [GI-45. "Work Flow"](#).

>> **INSPECTION END**

# P1715 INPUT SPEED SENSOR (TURBINE REVOLUTION SENSOR)

< COMPONENT DIAGNOSIS >

[VQ40DE]

## P1715 INPUT SPEED SENSOR (TURBINE REVOLUTION SENSOR)

### Description

INFOID:000000004297573

ECM receives turbine revolution sensor signal from TCM through CAN communication line. ECM uses this signal for engine control.

### On Board Diagnosis Logic

INFOID:000000004297574

#### NOTE:

- If DTC P1715 is displayed with DTC UXXXX first perform the trouble diagnosis for DTC UXXXX.
- If DTC P1715 is displayed with DTC P0607, first perform the trouble diagnosis for DTC P0607. Refer to [EC-301, "On Board Diagnosis Logic"](#).
- If DTC P1715 is displayed with DTC P0335, first perform the trouble diagnosis for DTC P0335. Refer to [EC-213, "Component Description"](#).
- If DTC P1715 is displayed with DTC P0340, P0345 first perform the trouble diagnosis for DTC P0340, P0345. Refer to [EC-217, "Component Description"](#).
- If DTC P1715 is displayed with DTC P0605, first perform the trouble diagnosis for DTC P0605. Refer to [EC-299, "Component Description"](#).

The MIL will not illuminate for this diagnosis.

DTC No.	Trouble diagnosis name	DTC detecting condition	Possible cause
P1715 1715	Input speed sensor (Turbine revolution sensor) (TCM output)	Turbine revolution sensor signal is different from the theoretical value calculated by ECM from revolution sensor signal and engine rpm signal.	<ul style="list-style-type: none"><li>• Harness or connectors (The CAN communication line is open or shorted)</li><li>• Harness or connectors (Turbine revolution sensor circuit is open or shorted)</li><li>• TCM</li></ul>

### Diagnosis Procedure

INFOID:000000004297575

#### 1. CHECK DTC WITH TCM

Check DTC with TCM. Refer to [TM-34, "OBD-II Diagnostic Trouble Code \(DTC\)"](#).

#### OK or NG

OK >> GO TO 2.

NG >> Perform trouble shooting relevant to DTC indicated.

#### 2. REPLACE TCM

Replace TCM.

>> INSPECTION END

# P1800 VIAS CONTROL SOLENOID VALVE 1

< COMPONENT DIAGNOSIS >

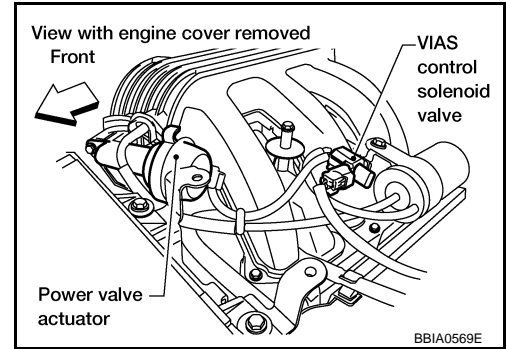
[VQ40DE]

## P1800 VIAS CONTROL SOLENOID VALVE 1

### Component Description

INFOID:000000004297576

The VIAS control solenoid valve cuts the intake manifold vacuum signal for power valve control. It responds to ON/OFF signals from the ECM. When the solenoid is off, the vacuum signal from the intake manifold is cut. When the ECM sends an ON signal the coil pulls the plunger downward and sends the vacuum signal to the power valve actuator.



### On Board Diagnosis Logic

INFOID:000000004297577

**The MIL will not illuminate for this self-diagnosis.**

DTC No.	Trouble diagnosis name	DTC detecting condition	Possible cause
P1800 1800	VIAS control solenoid valve circuit	An excessively low or high voltage signal is sent to ECM through the valve	<ul style="list-style-type: none"><li>• Harness or connectors (The solenoid valve circuit is open or shorted.)</li><li>• VIAS control solenoid valve</li></ul>

### DTC Confirmation Procedure

INFOID:000000004297578

#### NOTE:

If DTC Confirmation Procedure has been previously conducted, always perform the following before conducting the next step.

1. Turn ignition switch OFF and wait at least 10 seconds.
2. Turn ignition switch ON.
3. Turn ignition switch OFF and wait at least 10 seconds.

#### TESTING CONDITION:

**Before performing the following procedure, confirm that battery voltage is between 11V at idle.**

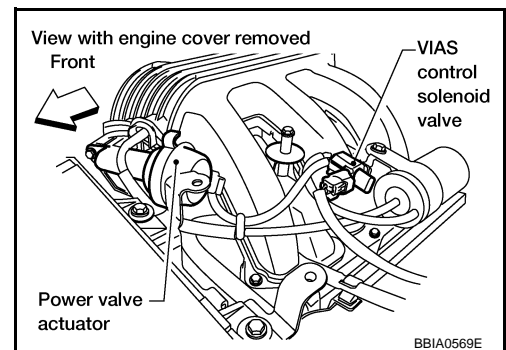
1. Start engine and let it idle for at least 5 seconds.
2. Check 1st trip DTC.
3. If 1st trip DTC is detected, go to [EC-348, "Diagnosis Procedure"](#).

### Diagnosis Procedure

INFOID:000000004297579

#### 1. CHECK VIAS CONTROL SOLENOID VALVE POWER SUPPLY CIRCUIT

1. Turn ignition switch OFF.
2. Disconnect VIAS control solenoid valve harness connector.
3. Turn ignition switch ON.





# P1800 VIAS CONTROL SOLENOID VALVE 1

[VQ40DE]

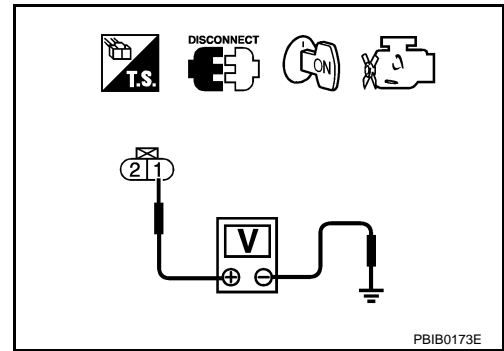
## < COMPONENT DIAGNOSIS >

4. Check voltage between terminal 1 and ground with CONSULT-III or tester.

**Voltage: Battery voltage**

### OK or NG

- OK >> GO TO 3.
- NG >> GO TO 2.



## 2. DETECT MALFUNCTIONING PART

Check the following.

- Harness connectors E2, F32
- Harness for open or short between VIAS control solenoid valve and IPDM E/R
- Harness for open or short between VIAS control solenoid valve and ECM

>> Repair harness or connectors.

## 3. CHECK VIAS CONTROL SOLENOID VALVE OUTPUT SIGNAL CIRCUIT FOR OPEN AND SHORT

1. Turn ignition switch OFF.
2. Disconnect ECM harness connector.
3. Check harness continuity between ECM terminal 29 and VIAS control solenoid valve terminal 2. Refer to Wiring Diagram.

**Continuity should exist.**

4. Also check harness for short to ground and short to power.

### OK or NG

- OK >> GO TO 4.
- NG >> Repair open circuit or short to ground or short to power in harness or connectors.

## 4. CHECK VIAS CONTROL SOLENOID VALVE

Refer to [EC-349, "Component Inspection"](#).

### OK or NG

- OK >> GO TO 5.
- NG >> Replace VIAS control solenoid valve.

## 5. CHECK INTERMITTENT INCIDENT

Refer to [GI-49, "Intermittent Incident"](#).

>> **INSPECTION END**

## Component Inspection

INFOID:000000004297580

## VIAS CONTROL SOLENOID VALVE

Ⓟ With CONSULT-III

1. Reconnect harness connectors disconnected.
2. Turn ignition switch ON.
3. Perform "VIAS SOL VALVE" in "ACTIVE TEST" mode.

# P1800 VIAS CONTROL SOLENOID VALVE 1

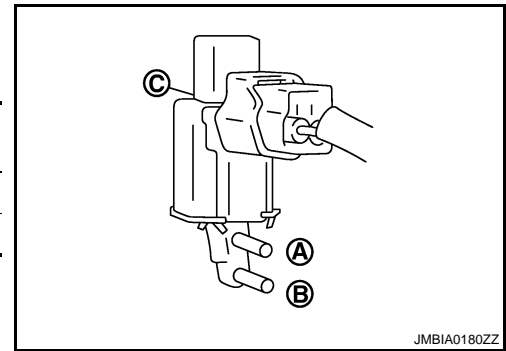
[VQ40DE]

## < COMPONENT DIAGNOSIS >

4. Check air passage continuity and operation delay time under the following conditions.

Condition VIAS SOL VALVE	Air passage continuity between (A) and (B)	Air passage continuity between (A) and (C)
ON	Yes	No
OFF	No	Yes

**Operation takes less than 1 second.**

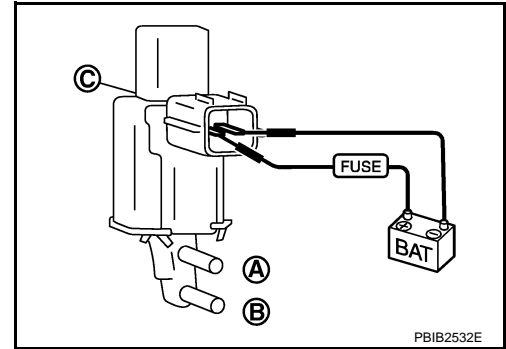


Ⓜ With GST

- Check air passage continuity and operation delay time under the following conditions.

Condition	Air passage continuity between (A) and (B)	Air passage continuity between (A) and (C)
12V direct current supply between terminals 1 and 2	Yes	No
No supply	No	Yes

**Operation takes less than 1 second.**



# P1805 BRAKE SWITCH

< COMPONENT DIAGNOSIS >

[VQ40DE]

## P1805 BRAKE SWITCH

### Description

INFOID:000000004297581

Brake switch signal is applied to the ECM through the stop lamp switch when the brake pedal is depressed. This signal is used mainly to decrease the engine speed when the vehicle is being driven.

### On Board Diagnosis Logic

INFOID:000000004297582

**The MIL will not illuminate for this diagnosis.**

DTC No.	Trouble diagnosis name	DTC detecting condition	Possible cause
P1805 1805	Brake switch	A brake switch signal is not sent to ECM for extremely long time while the vehicle is being driven.	<ul style="list-style-type: none"> <li>• Harness or connectors (Stop lamp switch circuit is open or shorted.)</li> <li>• Stop lamp switch</li> </ul>

### FAIL-SAFE MODE

When the malfunction is detected, the ECM enters fail-safe mode.

Engine operating condition in fail-safe mode	
ECM controls the electric throttle control actuator by regulating the throttle opening to a small range. Therefore, acceleration will be poor.	
Vehicle condition	Driving condition
When engine is idling	Normal
When accelerating	Poor acceleration

### DTC Confirmation Procedure

INFOID:000000004297583

#### NOTE:

If DTC Confirmation Procedure has been previously conducted, always turn ignition switch OFF and wait at least 10 seconds before conducting the next test.

1. Turn ignition switch ON.
2. Fully depress the brake pedal for at least 5 seconds.
3. Erase the DTC with CONSULT-III.
4. Check 1st trip DTC.
5. If 1st trip DTC is detected, go to [EC-351, "Diagnosis Procedure"](#).

### Diagnosis Procedure

INFOID:000000004297584

#### 1.CHECK STOP LAMP SWITCH CIRCUIT

1. Turn ignition switch OFF.
2. Check the stop lamp when depressing and releasing the brake pedal.

Brake pedal	Stop lamp
Fully released	Not illuminated
Slightly depressed	Illuminated

#### OK or NG

- OK >> GO TO 4.  
NG >> GO TO 2.

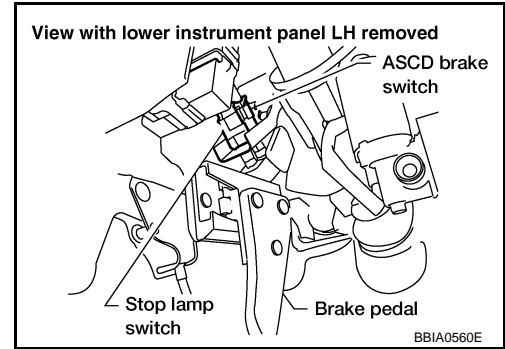
#### 2.CHECK STOP LAMP SWITCH POWER SUPPLY CIRCUIT

# P1805 BRAKE SWITCH

[VQ40DE]

## < COMPONENT DIAGNOSIS >

1. Disconnect stop lamp switch harness connector.

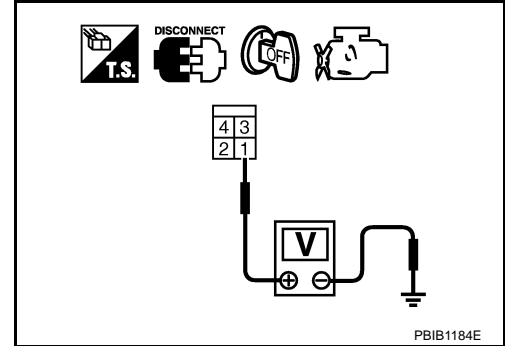


2. Check voltage between stop lamp switch terminal 1 and ground with CONSULT-III or tester.

**Voltage: Battery voltage**

OK or NG

- OK >> GO TO 4.
- NG >> GO TO 3.



## 3. DETECT MALFUNCTIONING PART

Check the following.

- 10A fuse
- Fuse block (J/B) connector E160
- Harness for open and short between stop lamp switch and battery

>> Repair open circuit or short to ground or short to power in harness or connectors.

## 4. CHECK STOP LAMP SWITCH INPUT SIGNAL CIRCUIT FOR OPEN AND SHORT

1. Disconnect ECM harness connector.
2. Disconnect stop lamp switch harness connector.
3. Check harness continuity between ECM terminal 101 and stop lamp switch terminal 2.  
Refer to Wiring Diagram.

**Continuity should exist.**

4. Also check harness for short to ground and short to power.

OK or NG

- OK >> GO TO 5.
- NG >> Repair open circuit or short to ground or short to power in harness or connectors.

## 5. CHECK STOP LAMP SWITCH

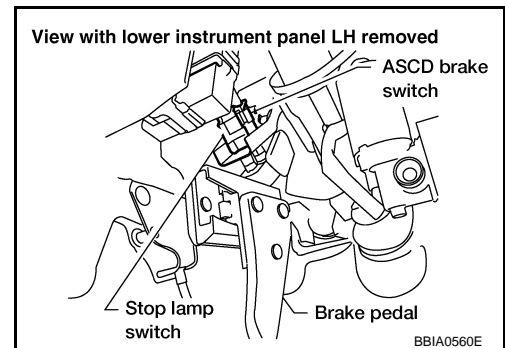
Refer to [EC-353, "Component Inspection"](#).

OK or NG

- OK >> GO TO 6.
- NG >> Replace stop lamp switch.

## 6. CHECK INTERMITTENT INCIDENT

Refer to [GI-49, "Intermittent Incident"](#).



>> **INSPECTION END**

# P1805 BRAKE SWITCH

< COMPONENT DIAGNOSIS >

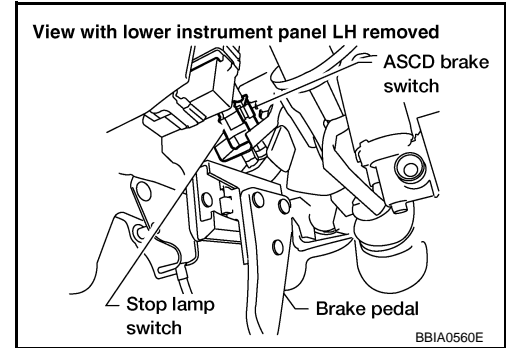
[VQ40DE]

## Component Inspection

INFOID:000000004297585

### STOP LAMP SWITCH

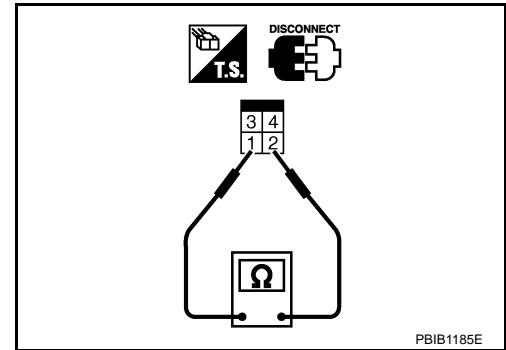
1. Disconnect stop lamp switch harness connector.



2. Check continuity between stop lamp switch terminals 1 and 2 under the following conditions.

Conditions	Continuity
Brake pedal: Fully released	Should not exist.
Brake pedal: Slightly depressed	Should exist.

3. If NG, adjust stop lamp switch installation, refer to [BR-17, "Inspection and Adjustment - Standard Pedal"](#) or [BR-18, "Inspection and Adjustment - Adjustable Pedal"](#), and perform step 2 again.



A  
EC  
C  
D  
E  
F  
G  
H  
I  
J  
K  
L  
M  
N  
O  
P

# P2100, P2103 THROTTLE CONTROL MOTOR RELAY

< COMPONENT DIAGNOSIS >

[VQ40DE]

## P2100, P2103 THROTTLE CONTROL MOTOR RELAY

### Component Description

INFOID:000000004297586

Power supply for the throttle control motor is provided to the ECM via throttle control motor relay. The throttle control motor relay is controlled ON/OFF by the ECM. When the ignition switch is turned ON, the ECM sends an ON signal to throttle control motor relay and battery voltage is provided to the ECM. When the ignition switch is turned OFF, the ECM sends an OFF signal to throttle control motor relay and battery voltage is not provided to the ECM.

### On Board Diagnosis Logic

INFOID:000000004297587

**These self-diagnoses have the one trip detection logic.**

DTC No.	Trouble diagnosis name	DTC detecting condition	Possible cause
P2100 2100	Throttle control motor relay circuit open	ECM detects that the voltage of power source for throttle control motor is excessively low.	<ul style="list-style-type: none"><li>• Harness or connectors (Throttle control motor relay circuit is open)</li><li>• Throttle control motor relay</li></ul>
P2103 2103	Throttle control motor relay circuit short	ECM detects that the throttle control motor relay is stuck ON.	<ul style="list-style-type: none"><li>• Harness or connectors (Throttle control motor relay circuit is shorted)</li><li>• Throttle control motor relay</li></ul>

### FAIL-SAFE MODE

When the malfunction is detected, ECM enters fail-safe mode and the MIL illuminate.

Engine operating condition in fail-safe mode

ECM stops the electric throttle control actuator control, throttle valve is maintained at a fixed opening (approx. 5 degrees) by the return spring.

### DTC Confirmation Procedure

INFOID:000000004297588

#### NOTE:

If DTC Confirmation Procedure has been previously conducted, always perform the following before conducting the next step.

1. Turn ignition switch OFF and wait at least 10 seconds.
2. Turn ignition switch ON.
3. Turn ignition switch OFF and wait at least 10 seconds.

#### PROCEDURE FOR DTC P2100

1. Turn ignition switch ON and wait at least 2 seconds.
2. Start engine and let it idle for 5 seconds.
3. Check 1st trip DTC.
4. If DTC is detected, go to [EC-354, "Diagnosis Procedure"](#).

#### PROCEDURE FOR DTC P2103

##### TESTING CONDITION:

**Before performing the following procedure, confirm that battery voltage is more than 8V.**

1. Turn ignition switch ON and wait at least 1 second.
2. Check DTC.
3. If DTC is detected, go to [EC-354, "Diagnosis Procedure"](#).

### Diagnosis Procedure

INFOID:000000004297589

#### 1. CHECK THROTTLE CONTROL MOTOR RELAY POWER SUPPLY CIRCUIT-I

1. Turn ignition switch OFF.

# P2100, P2103 THROTTLE CONTROL MOTOR RELAY

[VQ40DE]

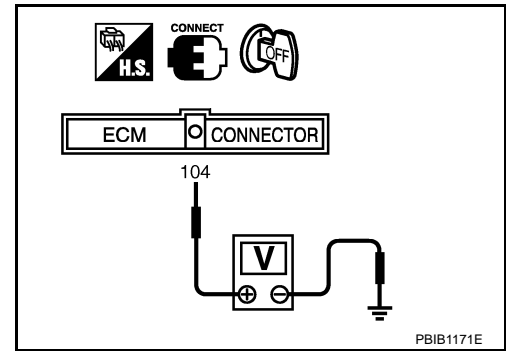
## < COMPONENT DIAGNOSIS >

- Check voltage between ECM terminal 104 and ground with CONSULT-III or tester.

**Voltage: Battery voltage**

### OK or NG

- OK >> GO TO 4.
- NG >> GO TO 2.



## 2.CHECK THROTTLE CONTROL MOTOR RELAY POWER SUPPLY CIRCUIT-II

- Disconnect ECM harness connector.
- Disconnect IPDM E/R harness connector E122.
- Check continuity between ECM terminal 104 and IPDM E/R terminal 47. Refer to Wiring Diagram.

**Continuity should exist.**

- Also check harness for short to ground and short to power.

### OK or NG

- OK >> GO TO 3.
- NG >> Repair open circuit or short to ground or short to power in harness or connectors.

## 3.CHECK FUSE

- Disconnect 20 A fuse (No.52).
- Check if 20A fuse is blown.

### OK or NG

- OK >> GO TO 7.
- NG >> Replace 20A fuse.

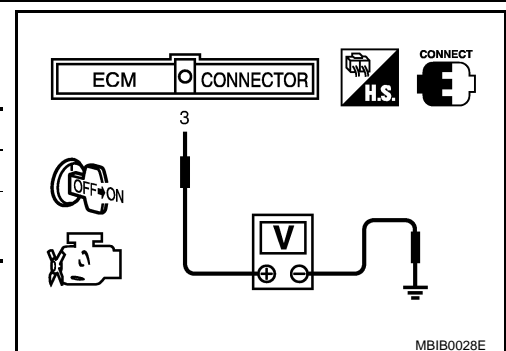
## 4.CHECK THROTTLE CONTROL MOTOR RELAY INPUT SIGNAL CIRCUIT-I

- Check voltage between ECM terminal 3 and ground under the following conditions with CONSULT-III or tester.

Ignition switch	Voltage
OFF	Approximately 0V
ON	Battery voltage (11 - 14V)

### OK or NG

- OK >> GO TO 7.
- NG >> GO TO 5.



## 5.CHECK THROTTLE CONTROL MOTOR RELAY INPUT SIGNAL CIRCUIT-II

- Turn ignition switch OFF.
- Disconnect ECM harness connector.
- Disconnect IPDM E/R harness connector E119.
- Check continuity between ECM terminal 3 and IPDM E/R terminal 6. Refer to Wiring Diagram.

**Continuity should exist.**

- Also check harness for short to ground and short to power.

### OK or NG

- OK >> GO TO 7.
- NG >> GO TO 6.

## P2100, P2103 THROTTLE CONTROL MOTOR RELAY

< COMPONENT DIAGNOSIS >

[VQ40DE]

---

### 6. DETECT MALFUNCTIONING PART

---

Check the following.

- Harness connectors E2, F32
- Harness for open or short between ECM and IPDM E/R

>> Repair open circuit or short to ground or short to power in harness or connectors.

### 7. CHECK INTERMITTENT INCIDENT

---

Refer to [GI-49. "Intermittent Incident"](#).

OK or NG

- OK >> Replace IPDM E/R. Refer to [PCS-33. "Removal and Installation of IPDM E/R"](#).
- NG >> Repair or replace harness or connectors.



# P2101 ELECTRIC THROTTLE CONTROL FUNCTION

< COMPONENT DIAGNOSIS >

[VQ40DE]

## P2101 ELECTRIC THROTTLE CONTROL FUNCTION

### Description

INFOID:000000004297590

#### NOTE:

If DTC P2101 is displayed with DTC P2100 or P2119, first perform the trouble diagnosis for DTC P2100 or P2119. Refer to [EC-354](#) or [EC-363](#).

Electric throttle control actuator consists of throttle control motor, throttle position sensor, etc.

The throttle control motor is operated by the ECM and it opens and closes the throttle valve.

The current opening angle of the throttle valve is detected by the throttle position sensor. The throttle position sensor provides feedback to the ECM, when opens/closes the throttle valve in response to driving conditions via the throttle control motor.

### On Board Diagnosis Logic

INFOID:000000004297591

**This self-diagnosis has the one trip detection logic.**

DTC No.	Trouble diagnosis name	DTC detecting condition	Possible cause
P2101 2101	Electric throttle control performance	Electric throttle control function does not operate properly.	<ul style="list-style-type: none"><li>• Harness or connectors (Throttle control motor circuit is open or shorted)</li><li>• Electric throttle control actuator</li></ul>

### FAIL-SAFE MODE

When the malfunction is detected, ECM enters fail-safe mode and the MIL illuminates.

Engine operating condition in fail-safe mode

ECM stops the electric throttle control actuator control, throttle valve is maintained at a fixed opening (approx. 5 degrees) by the return spring.

### DTC Confirmation Procedure

INFOID:000000004297592

#### NOTE:

If DTC Confirmation Procedure has been previously conducted, always perform the following before conducting the next step.

1. Turn ignition switch OFF and wait at least 10 seconds.
2. Turn ignition switch ON.
3. Turn ignition switch OFF and wait at least 10 seconds.

#### TESTING CONDITION:

**Before performing the following procedure, confirm that battery voltage is more than 11V when the engine is running.**

1. Turn ignition switch ON and wait at least 2 seconds.
2. Start engine and let it idle for 5 seconds.
3. Check DTC.
4. If DTC is detected, go to [EC-357, "Diagnosis Procedure"](#).

### Diagnosis Procedure

INFOID:000000004297593

#### 1. CHECK GROUND CONNECTIONS

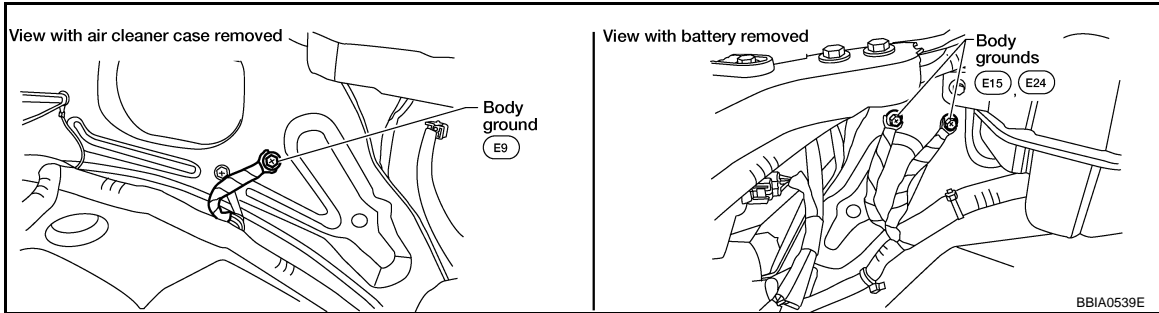
1. Turn ignition switch OFF

# P2101 ELECTRIC THROTTLE CONTROL FUNCTION

[VQ40DE]

## < COMPONENT DIAGNOSIS >

- Loosen and retighten three ground screws on the body. Refer to [EC-95, "Ground Inspection"](#).



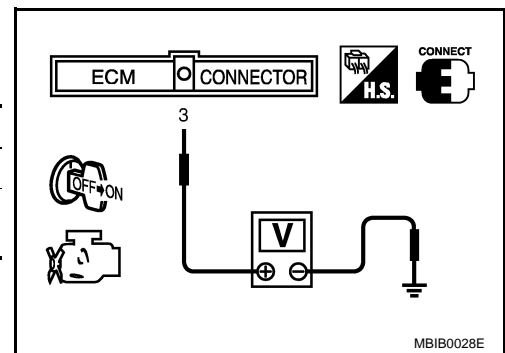
### OK or NG

- OK >> GO TO 2.
- NG >> Repair or replace ground connections.

## 2.CHECK THROTTLE CONTROL MOTOR RELAY INPUT SIGNAL CIRCUIT-I

Check voltage between ECM terminal 3 and ground under the following conditions with CONSULT-III or tester.

Ignition switch	Voltage
OFF	Approximately 0V
ON	Battery voltage (11 - 14V)



### OK or NG

- OK >> GO TO 9.
- NG >> GO TO 3.

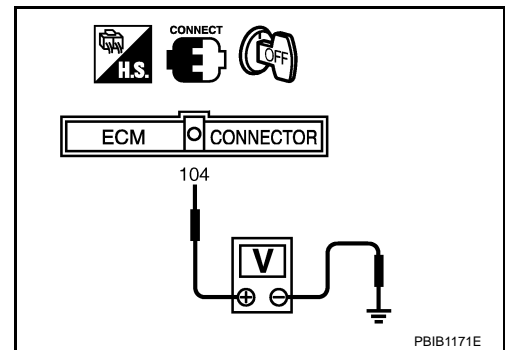
## 3.CHECK THROTTLE CONTROL MOTOR RELAY POWER SUPPLY CIRCUIT-I

- Turn ignition switch OFF.
- Check voltage between ECM terminal 104 and ground with CONSULT-III or tester.

**Voltage: Battery voltage**

### OK or NG

- OK >> GO TO 6.
- NG >> GO TO 4.



## 4.CHECK THROTTLE CONTROL MOTOR RELAY POWER SUPPLY CIRCUIT-II

- Disconnect ECM harness connector.
- Disconnect IPDM E/R harness connector E122.
- Check continuity between ECM terminal 104 and IPDM E/R terminal 47. Refer to Wiring Diagram.

**Continuity should exist.**

- Also check harness for short to ground and short to power.

### OK or NG

- OK >> GO TO 5.
- NG >> Repair open circuit or short to ground or short to power in harness or connectors.

## 5.CHECK FUSE

- Disconnect 20 A fuse (No.52).
- Check 20A fuse for blown.

### OK or NG

# P2101 ELECTRIC THROTTLE CONTROL FUNCTION

[VQ40DE]

## < COMPONENT DIAGNOSIS >

- OK >> GO TO 8.
- NG >> Replace 20A fuse.

### 6. CHECK THROTTLE CONTROL MOTOR RELAY INPUT SIGNAL CIRCUIT-II

1. Turn ignition switch OFF.
2. Disconnect ECM harness connector.
3. Disconnect IPDM E/R harness connector E119.
4. Check continuity between ECM terminal 3 and IPDM E/R terminal 6.  
Refer to Wiring Diagram.

**Continuity should exist.**

5. Also check harness for short to ground and short to power.

#### OK or NG

- OK >> GO TO 8.
- NG >> GO TO 7.

### 7. DETECT MALFUNCTIONING PART

Check the following.

- Harness connectors E2, F32
- Harness for open or short between ECM and IPDM E/R

>> Repair open circuit or short to ground or short to power in harness or connectors.

### 8. CHECK INTERMITTENT INCIDENT

Refer to [GI-49, "Intermittent Incident"](#).

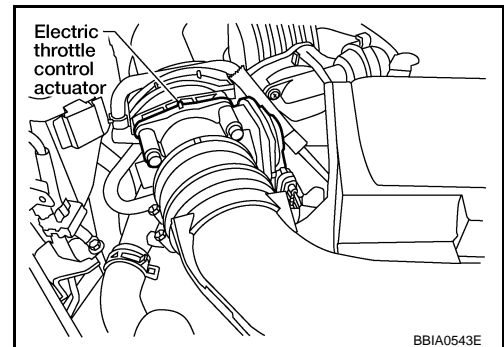
#### OK or NG

- OK >> Replace IPDM E/R. Refer to [PCS-33, "Removal and Installation of IPDM E/R"](#).
- NG >> Repair or replace harness or connectors.

### 9. CHECK THROTTLE CONTROL MOTOR OUTPUT SIGNAL CIRCUIT FOR OPEN OR SHORT

1. Turn ignition switch OFF.
2. Disconnect electric throttle control actuator harness connector.
3. Disconnect ECM harness connector.
4. Check harness continuity between the following terminals.  
Refer to Wiring Diagram.

Electric throttle control actuator terminal	ECM terminal	Continuity
5	5	Should not exist
	4	Should exist
6	5	Should exist
	4	Should not exist



5. Also check harness for short to ground and short to power.

#### OK or NG

- OK >> GO TO 10.
- NG >> Repair or replace.

### 10. CHECK ELECTRIC THROTTLE CONTROL ACTUATOR VISUALLY

1. Remove the intake air duct.

# P2101 ELECTRIC THROTTLE CONTROL FUNCTION

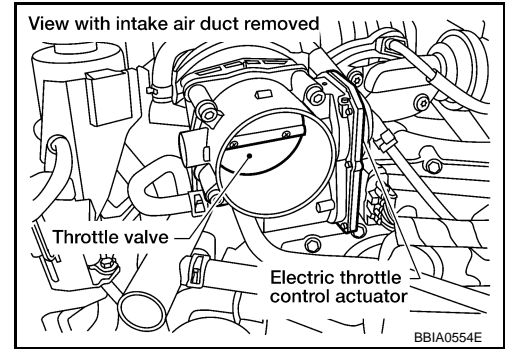
[VQ40DE]

## < COMPONENT DIAGNOSIS >

2. Check if foreign matter is caught between the throttle valve and the housing.

### OK or NG

- OK >> GO TO 11.
- NG >> Remove the foreign matter and clean the electric throttle control actuator inside.



## 11. CHECK THROTTLE CONTROL MOTOR

Refer to [EC-360, "Component Inspection"](#).

### OK or NG

- OK >> GO TO 12.
- NG >> GO TO 13.

## 12. CHECK INTERMITTENT INCIDENT

Refer to [GI-49, "Intermittent Incident"](#).

### OK or NG

- OK >> GO TO 13.
- NG >> Repair or replace harness or connectors.

## 13. REPLACE ELECTRIC THROTTLE CONTROL ACTUATOR

1. Replace the electric throttle control actuator.
2. Perform [EC-25, "Throttle Valve Closed Position Learning"](#).
3. Perform [EC-25, "Idle Air Volume Learning"](#).

>> INSPECTION END

## Component Inspection

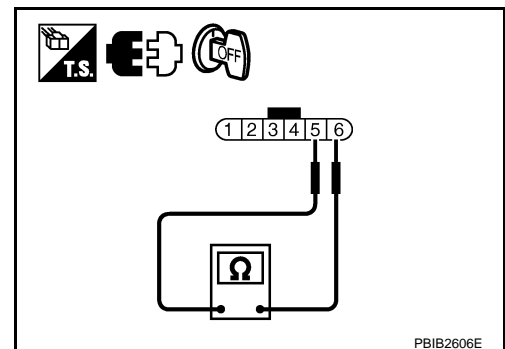
INFOID:000000004297594

### THROTTLE CONTROL MOTOR

1. Disconnect electric throttle control actuator harness connector.
2. Check resistance between terminals 5 and 6.

**Resistance: Approximately 1 - 15  $\Omega$  [at 25 °C (77°F)]**

3. If NG, replace electric throttle control actuator and go to next step.
4. Perform [EC-25, "Throttle Valve Closed Position Learning"](#).
5. Perform [EC-25, "Idle Air Volume Learning"](#).



# P2118 THROTTLE CONTROL MOTOR

< COMPONENT DIAGNOSIS >

[VQ40DE]

## P2118 THROTTLE CONTROL MOTOR

### Component Description

INFOID:000000004297595

The throttle control motor is operated by the ECM and it opens and closes the throttle valve. The current opening angle of the throttle valve is detected by the throttle position sensor. The throttle position sensor provides feedback to the ECM, when opens/closes the throttle valve in response to driving conditions via the throttle control motor.

### On Board Diagnosis Logic

INFOID:000000004297596

**This self-diagnosis has the one trip detection logic.**

DTC No.	Trouble diagnosis name	DTC detecting condition	Possible cause
P2118 2118	Throttle control motor circuit short	ECM detects short in both circuits between ECM and throttle control motor.	<ul style="list-style-type: none"><li>• Harness or connectors (Throttle control motor circuit is shorted.)</li><li>• Electric throttle control actuator (Throttle control motor)</li></ul>

### FAIL-SAFE MODE

When the malfunction is detected, the ECM enters fail-safe mode and the MIL illuminates.

Engine operating condition in fail-safe mode

ECM stops the electric throttle control actuator control, throttle valve is maintained at a fixed opening (approx. 5 degrees) by the return spring.

### DTC Confirmation Procedure

INFOID:000000004297597

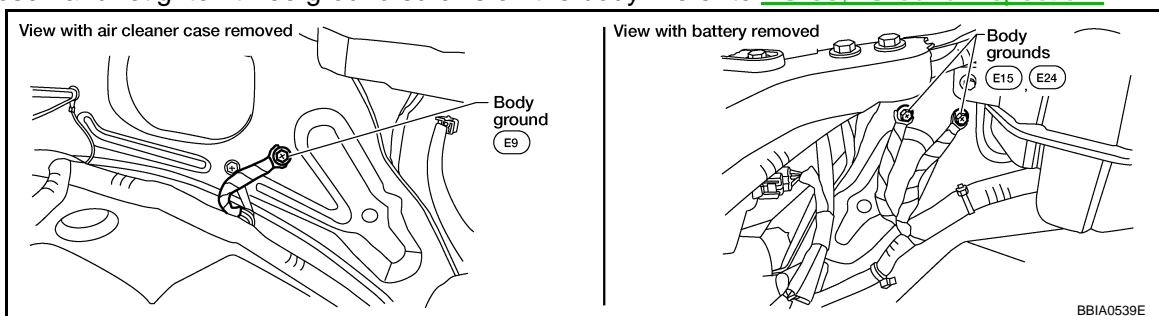
1. If DTC Confirmation Procedure has been previously conducted, always perform the following before conducting the next step.
  - a. Turn ignition switch OFF and wait at least 10 seconds.
  - b. Turn ignition switch ON.
  - c. Turn ignition switch OFF and wait at least 10 seconds.
2. Turn ignition switch ON and wait at least 2 seconds.
3. Start engine and let it idle for 5 seconds.
4. Check DTC.
5. If DTC is detected, go to [EC-361, "Diagnosis Procedure"](#).

### Diagnosis Procedure

INFOID:000000004297598

#### 1. CHECK GROUND CONNECTIONS

1. Turn ignition switch OFF.
2. Loosen and retighten three ground screws on the body. Refer to [EC-95, "Ground Inspection"](#).



#### OK or NG

- OK >> GO TO 2.  
NG >> Repair or replace ground connections.

#### 2. CHECK THROTTLE CONTROL MOTOR OUTPUT SIGNAL CIRCUIT FOR OPEN OR SHORT

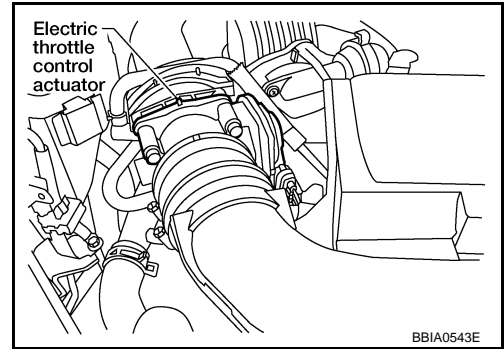
# P2118 THROTTLE CONTROL MOTOR

[VQ40DE]

## < COMPONENT DIAGNOSIS >

1. Disconnect electric throttle control actuator harness connector.
2. Disconnect ECM harness connector.
3. Check harness continuity between the following terminals. Refer to Wiring Diagram.

Electric throttle control actuator terminal	ECM terminal	Continuity
5	5	Should not exist
	4	Should exist
6	5	Should exist
	4	Should not exist



4. Also check harness for short to ground and short to power.

### OK or NG

- OK >> GO TO 3.  
 NG >> Repair or replace.

## 3. CHECK THROTTLE CONTROL MOTOR

Refer to [EC-362, "Component Inspection"](#).

### OK or NG

- OK >> GO TO 4.  
 NG >> GO TO 5.

## 4. CHECK INTERMITTENT INCIDENT

Refer to [GI-49, "Intermittent Incident"](#).

### OK or NG

- OK >> GO TO 5.  
 NG >> Repair or replace harness or connectors.

## 5. REPLACE ELECTRIC THROTTLE CONTROL ACTUATOR

1. Replace the electric throttle control actuator.
2. Perform [EC-25, "Throttle Valve Closed Position Learning"](#).
3. Perform [EC-25, "Idle Air Volume Learning"](#).

>> **INSPECTION END**

## Component Inspection

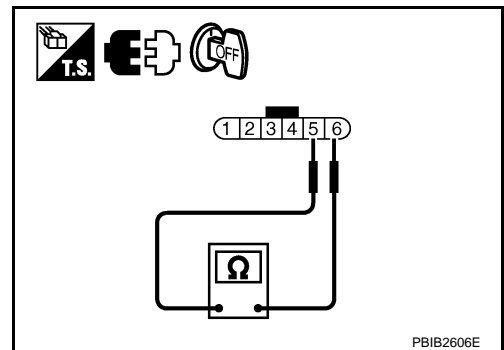
INFOID:000000004297599

### THROTTLE CONTROL MOTOR

1. Disconnect electric throttle control actuator harness connector.
2. Check resistance between terminals 5 and 6.

**Resistance: Approximately 1 - 15  $\Omega$  [at 25 °C (77°F)]**

3. If NG, replace electric throttle control actuator and go to next step.
4. Perform [EC-25, "Throttle Valve Closed Position Learning"](#).
5. Perform [EC-25, "Idle Air Volume Learning"](#).



# P2119 ELECTRIC THROTTLE CONTROL ACTUATOR

< COMPONENT DIAGNOSIS >

[VQ40DE]

## P2119 ELECTRIC THROTTLE CONTROL ACTUATOR

### Component Description

INFOID:000000004297600

Electric throttle control actuator consists of throttle control motor, throttle position sensor, etc. The throttle control motor is operated by the ECM and it opens and closes the throttle valve. The throttle position sensor detects the throttle valve position, and the opening and closing speed of the throttle valve and sends the voltage signals to the ECM. The ECM judges the current opening angle of the throttle valve from these signals and opens/closes the throttle valve in response to driving conditions via the throttle control motor.

### On Board Diagnosis Logic

INFOID:000000004297601

**This self-diagnosis has the one trip detection logic.**

DTC No.	Trouble diagnosis name	DTC detecting condition		Possible cause
P2119 2119	Electric throttle control actuator	A)	Electric throttle control actuator does not function properly due to the return spring malfunction.	• Electric throttle control actuator
		B)	Throttle valve opening angle in fail-safe mode is not in specified range.	
		C)	ECM detects that the throttle valve is stuck open.	

### FAIL-SAFE MODE

When the malfunction is detected, the ECM enters fail-safe mode and the MIL illuminates.

Detected items	Engine operating condition in fail-safe mode
Malfunction A	The ECM controls the electric throttle actuator by regulating the throttle opening around the idle position. The engine speed will not rise more than 2,000 rpm.
Malfunction B	ECM controls the electric throttle control actuator by regulating the throttle opening to 20 degrees or less.
Malfunction C	While the vehicle is driving, it slows down gradually by fuel cut. After the vehicle stops, the engine stalls. The engine can restart in N or P position, and engine speed will not exceed 1,000 rpm or more.

### DTC Confirmation Procedure

INFOID:000000004297602

#### NOTE:

- Perform **PROCEDURE FOR MALFUNCTION A AND B** first. If the DTC cannot be confirmed, perform **PROCEDURE FOR MALFUNCTION C**.
- If DTC Confirmation Procedure has been previously conducted, always perform the following before conducting the next step.
  1. Turn ignition switch OFF and wait at least 10 seconds.
  2. Turn ignition switch ON.
  3. Turn ignition switch OFF and wait at least 10 seconds.

#### PROCEDURE FOR MALFUNCTION A AND B

1. Turn ignition switch ON and wait at least 1 second.
2. Shift selector lever to D position and wait at least 3 seconds.
3. Shift selector lever to P position.
4. Turn ignition switch OFF and wait at least 10 seconds.
5. Turn ignition switch ON and wait at least 1 second.
6. Shift selector lever to D position, and wait at least 3 seconds.
7. Shift selector lever to P position.
8. Turn ignition switch OFF, wait at least 10 seconds, and then turn ON.
9. Check DTC.
10. If DTC is detected, go to [EC-364. "Diagnosis Procedure"](#).

# P2119 ELECTRIC THROTTLE CONTROL ACTUATOR

< COMPONENT DIAGNOSIS >

[VQ40DE]

## PROCEDURE FOR MALFUNCTION C

Ⓟ With CONSULT-III

1. Turn ignition switch ON and wait at least 1 second.
2. Shift selector lever to D position and wait at least 3 seconds.
3. Shift selector lever to P or N position.
4. Start engine and let it idle for 3 seconds.
5. Check DTC.
6. If DTC is detected, go to [EC-364, "Diagnosis Procedure"](#).

## Diagnosis Procedure

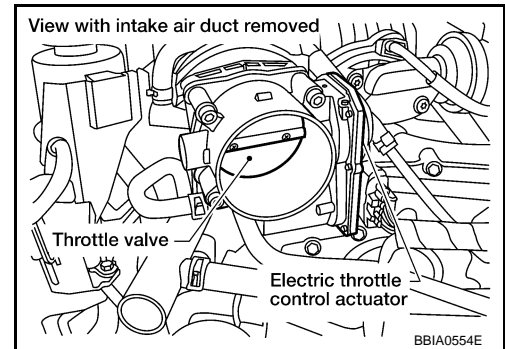
INFOID:000000004297603

### 1. CHECK ELECTRIC THROTTLE CONTROL ACTUATOR VISUALLY

1. Remove the intake air duct.
2. Check if a foreign matter is caught between the throttle valve and the housing.

#### OK or NG

- OK >> GO TO 2.  
NG >> Remove the foreign matter and clean the electric throttle control actuator inside.



### 2. REPLACE ELECTRIC THROTTLE CONTROL ACTUATOR

1. Replace the electric throttle control actuator.
2. Perform [EC-25, "Throttle Valve Closed Position Learning"](#).
3. Perform [EC-25, "Idle Air Volume Learning"](#).

>> INSPECTION END



P2122, P2123 APP SENSOR

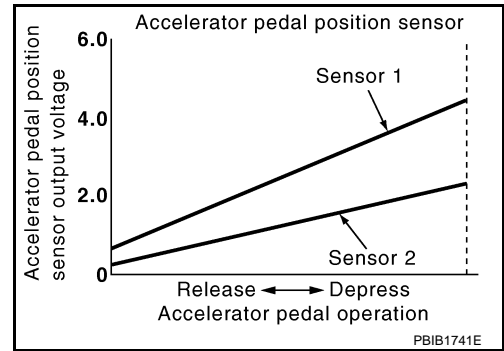
Component Description

INFOID:000000004297604

The accelerator pedal position sensor is installed on the upper end of the accelerator pedal assembly. The sensor detects the accelerator position and sends a signal to the ECM.

Accelerator pedal position sensor has two sensors. These sensors are a kind of potentiometers which transform the accelerator pedal position into output voltage, and emit the voltage signal to the ECM. In addition, these sensors detect the opening and closing speed of the accelerator pedal and feed the voltage signals to the ECM. The ECM judges the current opening angle of the accelerator pedal from these signals and controls the throttle control motor based on these signals.

Idle position of the accelerator pedal is determined by the ECM receiving the signal from the accelerator pedal position sensor. The ECM uses this signal for the engine operation such as fuel cut.



On Board Diagnosis Logic

INFOID:000000004297605

These self-diagnoses have the one trip detection logic.

NOTE:

If DTC P2122 or P2123 is displayed with DTC P0643, first perform the trouble diagnosis for DTC P0643. Refer to [EC-302](#).

DTC No.	Trouble diagnosis name	DTC detecting condition	Possible cause
P2122 2122	Accelerator pedal position sensor 1 circuit low input	An excessively low voltage from the APP sensor 1 is sent to ECM.	<ul style="list-style-type: none"> <li>Harness or connectors (The APP sensor 1 circuit is open or shorted.)</li> <li>Accelerator pedal position sensor (APP sensor 1)</li> </ul>
P2123 2123	Accelerator pedal position sensor 1 circuit high input	An excessively high voltage from the APP sensor 1 is sent to ECM.	

FAIL-SAFE MODE

When the malfunction is detected, ECM enters fail-safe mode and the MIL illuminates.

Engine operating condition in fail-safe mode

The ECM controls the electric throttle control actuator in regulating the throttle opening in order for the idle position to be within +10 degrees.

The ECM regulates the opening speed of the throttle valve to be slower than the normal condition. So, the acceleration will be poor.

DTC Confirmation Procedure

INFOID:000000004297606

NOTE:

If DTC Confirmation Procedure has been previously conducted, always perform the following before conducting the next step.

1. Turn ignition switch OFF and wait at least 10 seconds.
2. Turn ignition switch ON.
3. Turn ignition switch OFF and wait at least 10 seconds.

TESTING CONDITION:

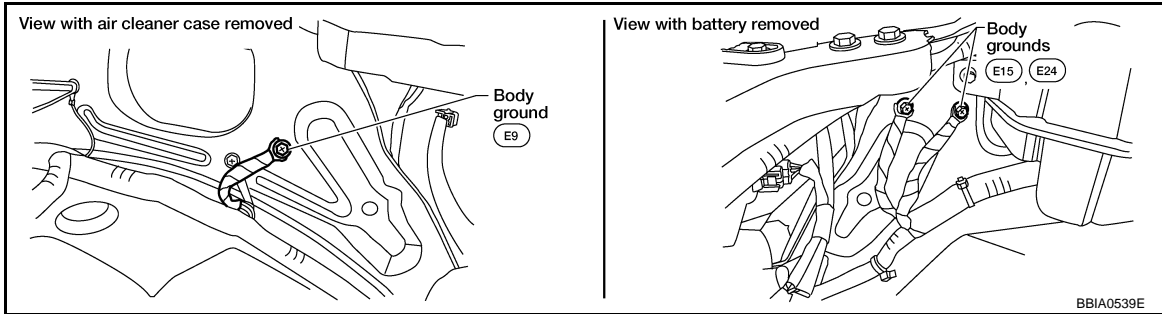
Before performing the following procedure, confirm that battery voltage is more than 10V at idle.

1. Start engine and let it idle for 1 second.
2. Check DTC.
3. If DTC is detected, go to [EC-366. "Diagnosis Procedure"](#).

## Diagnosis Procedure

### 1. CHECK GROUND CONNECTIONS

1. Turn ignition switch OFF.
2. Loosen and retighten three ground screws on the body. Refer to [EC-95. "Ground Inspection"](#).

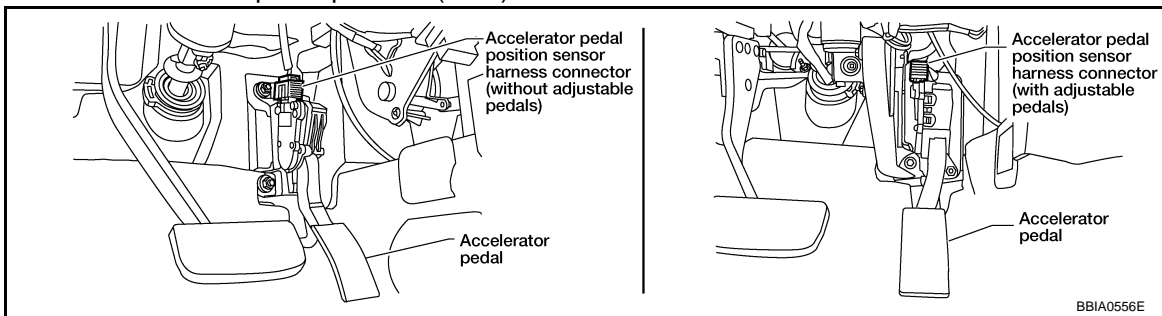


**OK or NG**

- OK >> GO TO 2.
- NG >> Repair or replace ground connections.

### 2. CHECK APP SENSOR 1 POWER SUPPLY CIRCUIT

1. Disconnect accelerator pedal position (APP) sensor harness connector.

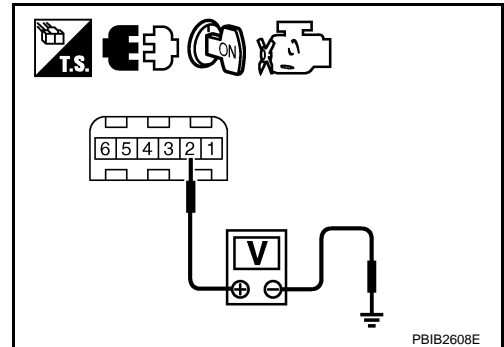


2. Turn ignition switch ON.
3. Check voltage between APP sensor terminal 2 and ground with CONSULT-III or tester.

**Voltage: Approximately 5V**

**OK or NG**

- OK >> GO TO 3.
- NG >> Repair open circuit or short to ground or short to power in harness or connectors.



### 3. CHECK APP SENSOR 1 GROUND CIRCUIT FOR OPEN AND SHORT

1. Turn ignition switch OFF.
2. Disconnect ECM harness connector.
3. Check harness continuity between APP sensor terminal 4 and ECM terminal 82. Refer to Wiring Diagram.

**Continuity should exist.**

4. Also check harness for short to ground and short to power.

**OK or NG**

- OK >> GO TO 4.
- NG >> Repair open circuit or short to ground or short to power in harness or connectors.

### 4. CHECK APP SENSOR INPUT SIGNAL CIRCUIT FOR OPEN AND SHORT

1. Check harness continuity between ECM terminal 106 and APP sensor terminal 3.

# P2122, P2123 APP SENSOR

[VQ40DE]

## < COMPONENT DIAGNOSIS >

Refer to Wiring Diagram.

**Continuity should exist.**

2. Also check harness for short to ground and short to power.

**OK or NG**

OK >> GO TO 5.

NG >> Repair open circuit or short to ground or short to power in harness or connectors.

## 5. CHECK APP SENSOR

Refer to [EC-367, "Component Inspection"](#).

**OK or NG**

OK >> GO TO 7.

NG >> GO TO 6.

## 6. REPLACE ACCELERATOR PEDAL ASSEMBLY

1. Replace accelerator pedal assembly.
2. Perform [EC-25, "Accelerator Pedal Released Position Learning"](#).
3. Perform [EC-25, "Throttle Valve Closed Position Learning"](#).
4. Perform [EC-25, "Idle Air Volume Learning"](#).

>> **INSPECTION END**

## 7. CHECK INTERMITTENT INCIDENT

Refer to [GI-49, "Intermittent Incident"](#).

>> **INSPECTION END**

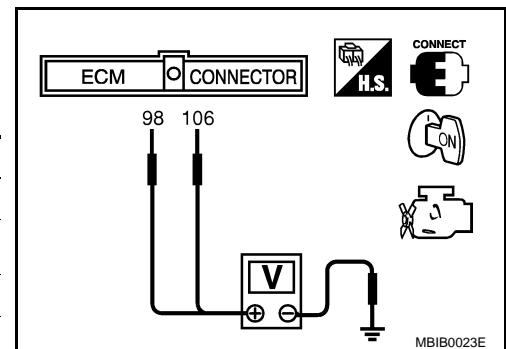
## Component Inspection

INFOID:000000004297608

### ACCELERATOR PEDAL POSITION SENSOR

1. Reconnect all harness connectors disconnected.
2. Turn ignition switch ON.
3. Check voltage between ECM terminals 106 (APP sensor 1 signal), 98 (APP sensor 2 signal) and ground under the following conditions.

Terminal	Accelerator pedal	Voltage
106 (Accelerator pedal position sensor 1)	Fully released	0.65 - 0.87V
	Fully depressed	More than 4.3V
98 (Accelerator pedal position sensor 2)	Fully released	0.28 - 0.48V
	Fully depressed	More than 2.0V



4. If NG, replace accelerator pedal assembly and go to next step.
5. Perform [EC-25, "Accelerator Pedal Released Position Learning"](#).
6. Perform [EC-25, "Throttle Valve Closed Position Learning"](#).
7. Perform [EC-25, "Idle Air Volume Learning"](#).

P2127, P2128 APP SENSOR

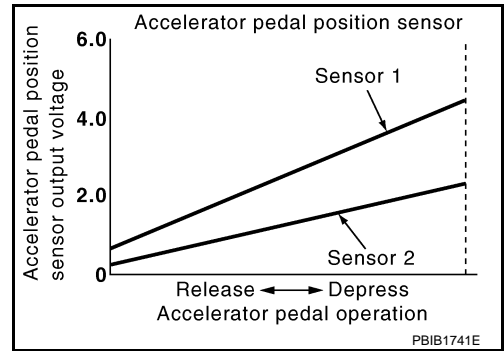
Component Description

INFOID:000000004297609

The accelerator pedal position sensor is installed on the upper end of the accelerator pedal assembly. The sensor detects the accelerator position and sends a signal to the ECM.

Accelerator pedal position sensor has two sensors. These sensors are a kind of potentiometers which transform the accelerator pedal position into output voltage, and emit the voltage signal to the ECM. In addition, these sensors detect the opening and closing speed of the accelerator pedal and feed the voltage signals to the ECM. The ECM judges the current opening angle of the accelerator pedal from these signals and controls the throttle control motor based on these signals.

Idle position of the accelerator pedal is determined by the ECM receiving the signal from the accelerator pedal position sensor. The ECM uses this signal for the engine operation such as fuel cut.



On Board Diagnosis Logic

INFOID:000000004297610

These self-diagnoses have the one trip detection logic.

DTC No.	Trouble diagnosis name	DTC detecting condition	Possible cause
P2127 2127	Accelerator pedal position sensor 2 circuit low input	An excessively low voltage from the APP sensor 2 is sent to ECM.	<ul style="list-style-type: none"> <li>• Harness or connectors (The APP sensor 2 circuit is open or shorted.) (The TP sensor circuit shorted.)</li> <li>• Accelerator pedal position sensor (APP sensor 2)</li> <li>• Electric throttle control actuator (TP sensor 1 and 2)</li> </ul>
P2128 2128	Accelerator pedal position sensor 2 circuit high input	An excessively high voltage from the APP sensor 2 is sent to ECM.	

FAIL-SAFE MODE

When the malfunction is detected, ECM enters fail-safe mode and the MIL illuminates.

Engine operating condition in fail-safe mode

The ECM controls the electric throttle control actuator in regulating the throttle opening in order for the idle position to be within +10 degrees.

The ECM regulates the opening speed of the throttle valve to be slower than the normal condition. So, the acceleration will be poor.

DTC Confirmation Procedure

INFOID:000000004297611

NOTE:

If DTC Confirmation Procedure has been previously conducted, always perform the following before conducting the next step.

1. Turn ignition switch OFF and wait at least 10 seconds.
2. Turn ignition switch ON.
3. Turn ignition switch OFF and wait at least 10 seconds.

TESTING CONDITION:

Before performing the following procedure, confirm that battery voltage is more than 10V at idle.

1. Start engine and let it idle for 1 second.
2. Check DTC.
3. If DTC is detected, go to [EC-368, "Diagnosis Procedure"](#).

Diagnosis Procedure

INFOID:000000004297612

1. CHECK GROUND CONNECTIONS

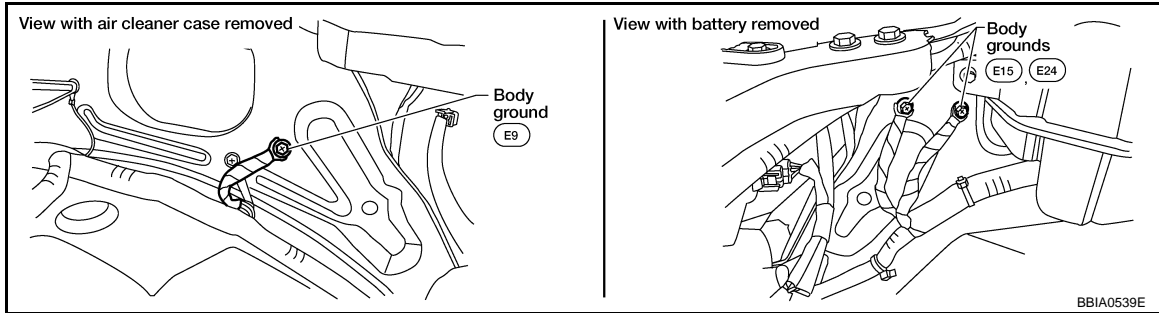
1. Turn ignition switch OFF.

## P2127, P2128 APP SENSOR

[VQ40DE]

### < COMPONENT DIAGNOSIS >

- Loosen and retighten three ground screws on the body, Refer to [EC-95. "Ground Inspection"](#).

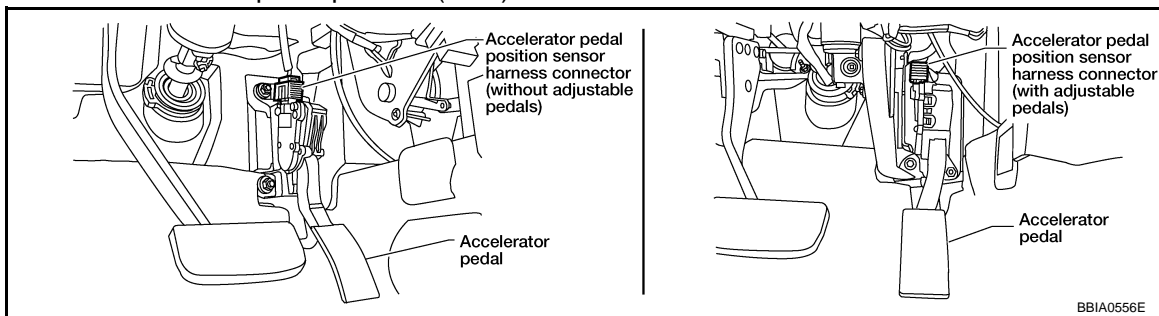


#### OK or NG

- OK >> GO TO 2.
- NG >> Repair or replace ground connections.

### 2.CHECK APP SENSOR 2 POWER SUPPLY CIRCUIT-I

- Disconnect accelerator pedal position (APP) sensor harness connector.

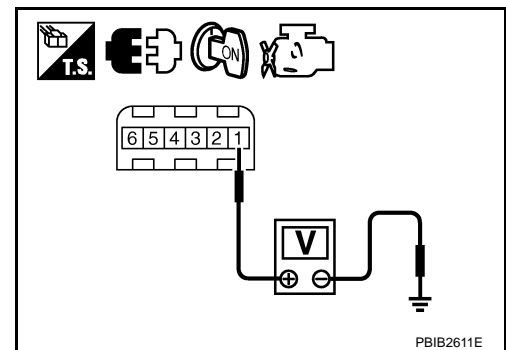


- Turn ignition switch ON.
- Check voltage between APP sensor terminal 1 and ground with CONSULT-III or tester.

**Voltage: Approximately 5V**

#### OK or NG

- OK >> GO TO 7.
- NG >> GO TO 3.



### 3.CHECK APP SENSOR 2 POWER SUPPLY CIRCUIT-II

- Turn ignition switch OFF.
- Disconnect ECM harness connector.
- Check harness continuity between APP sensor terminal 1 and ECM terminal 91. Refer to wiring diagram.

**Continuity should exist.**

#### OK or NG

- OK >> GO TO 4.
- NG >> Repair open circuit.

### 4.CHECK THROTTLE POSITION SENSOR 2 POWER SUPPLY CIRCUIT-III

Check harness for short to power and short to ground, between the following terminals.

ECM terminal	Sensor terminal
91	APP sensor terminal 1
47	Electric throttle control actuator terminal 2

## P2127, P2128 APP SENSOR

[VQ40DE]

< COMPONENT DIAGNOSIS >

---

OK or NG

OK >> GO TO 5.

NG >> Repair short to ground or short to power in harness or connectors.

### 5. CHECK THROTTLE POSITION SENSOR

---

Refer to [EC-202. "Component Inspection"](#).

OK or NG

OK >> GO TO 11.

NG >> GO TO 6.

### 6. REPLACE ELECTRIC THROTTLE CONTROL ACTUATOR

---

1. Replace electric throttle control actuator.
2. Perform [EC-25. "Throttle Valve Closed Position Learning"](#).
3. Perform [EC-25. "Idle Air Volume Learning"](#).

>> **INSPECTION END**

### 7. CHECK APP SENSOR 2 GROUND CIRCUIT FOR OPEN AND SHORT

---

1. Turn ignition switch OFF.
2. Disconnect ECM harness connector.
3. Check harness continuity between APP sensor terminal 5 and ECM terminal 83.  
Refer to Wiring Diagram.

**Continuity should exist.**

4. Also check harness for short to ground and short to power.

OK or NG

OK >> GO TO 8.

NG >> Repair open circuit or short to ground or short to power in harness or connectors.

### 8. CHECK APP SENSOR 2 INPUT SIGNAL CIRCUIT FOR OPEN AND SHORT

---

1. Check harness continuity between ECM terminal 98 and APP sensor terminal 6.  
Refer to Wiring Diagram.

**Continuity should exist.**

2. Also check harness for short to ground and short to power.

OK or NG

OK >> GO TO 9.

NG >> Repair open circuit or short to ground or short to power in harness or connectors.

### 9. CHECK APP SENSOR

---

Refer to [EC-371. "Component Inspection"](#).

OK or NG

OK >> GO TO 11.

NG >> GO TO 10.

### 10. REPLACE ACCELERATOR PEDAL ASSEMBLY

---

1. Replace accelerator pedal assembly.
2. Perform [EC-25. "Accelerator Pedal Released Position Learning"](#).
3. Perform [EC-25. "Throttle Valve Closed Position Learning"](#).
4. Perform [EC-25. "Idle Air Volume Learning"](#).

>> **INSPECTION END**

### 11. CHECK INTERMITTENT INCIDENT

---

Refer to [GI-49. "Intermittent Incident"](#).

>> INSPECTION END

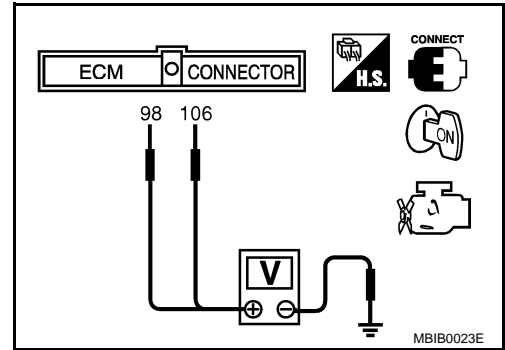
Component Inspection

INFOID:000000004297613

ACCELERATOR PEDAL POSITION SENSOR

1. Reconnect all harness connectors disconnected.
2. Turn ignition switch ON.
3. Check voltage between ECM terminals 106 (APP sensor 1 signal), 98 (APP sensor 2 signal) and ground under the following conditions.

Terminal	Accelerator pedal	Voltage
106 (Accelerator pedal position sensor 1)	Fully released	0.65 - 0.87V
	Fully depressed	More than 4.3V
98 (Accelerator pedal position sensor 2)	Fully released	0.28 - 0.48V
	Fully depressed	More than 2.0V



4. If NG, replace accelerator pedal assembly and go to next step.
5. Perform [EC-25. "Accelerator Pedal Released Position Learning"](#).
6. Perform [EC-25. "Throttle Valve Closed Position Learning"](#).
7. Perform [EC-25. "Idle Air Volume Learning"](#).

A  
EC  
C  
D  
E  
F  
G  
H  
I  
J  
K  
L  
M  
N  
O  
P

# P2135 TP SENSOR

< COMPONENT DIAGNOSIS >

[VQ40DE]

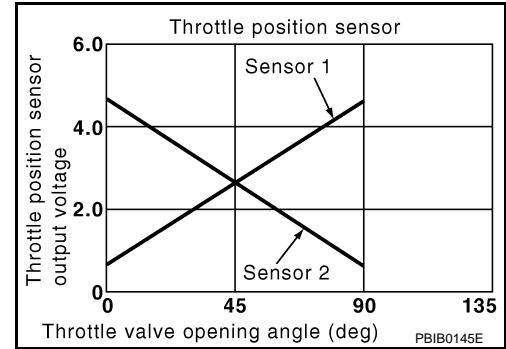
## P2135 TP SENSOR

### Component Description

INFOID:000000004297614

Electric throttle control actuator consists of throttle control motor, throttle position sensor, etc. The throttle position sensor responds to the throttle valve movement.

The throttle position sensor has the two sensors. These sensors are a kind of potentiometers which transform the throttle valve position into output voltage, and emit the voltage signal to the ECM. In addition, these sensors detect the opening and closing speed of the throttle valve and feed the voltage signals to the ECM. The ECM judges the current opening angle of the throttle valve from these signals and the ECM controls the throttle control motor to make the throttle valve opening angle properly in response to driving condition.



### On Board Diagnosis Logic

INFOID:000000004297615

**This self-diagnosis has the one trip detection logic.**

DTC No.	Trouble diagnosis name	DTC detecting condition	Possible cause
P2135 2135	Throttle position sensor circuit range/performance	Rationally incorrect voltage is sent to ECM compared with the signals from TP sensor 1 and TP sensor 2.	<ul style="list-style-type: none"> <li>• Harness or connector (The TP sensor 1 or 2 circuit is open or shorted.) (The APP sensor 2 circuit is shorted).</li> <li>• Electric throttle control actuator (TP sensor 1 or 2)</li> <li>• Accelerator pedal position sensor (APP sensor 2)</li> </ul>

### FAIL-SAFE MODE

When the malfunction is detected, the ECM enters fail-safe mode and the MIL illuminates.

#### Engine operation condition in fail-safe mode

The ECM controls the electric throttle control actuator in regulating the throttle opening in order for the idle position to be within +10 degrees.

The ECM regulates the opening speed of the throttle valve to be slower than the normal condition.

So, the acceleration will be poor.

### DTC Confirmation Procedure

INFOID:000000004297616

#### NOTE:

If DTC Confirmation Procedure has been previously conducted, always perform the following before conducting the next step.

1. Turn ignition switch OFF and wait at least 10 seconds.
2. Turn ignition switch ON.
3. Turn ignition switch OFF and wait at least 10 seconds.

#### TESTING CONDITION:

**Before performing the following procedure, confirm that battery voltage is more than 10V at idle.**

1. Start engine and let it idle for 1 second.
2. Check DTC.
3. If DTC is detected, go to [EC-372, "Diagnosis Procedure"](#).

### Diagnosis Procedure

INFOID:000000004297617

#### 1. CHECK GROUND CONNECTIONS

1. Turn ignition switch OFF.
2. Loosen and retighten three ground screws on the body.

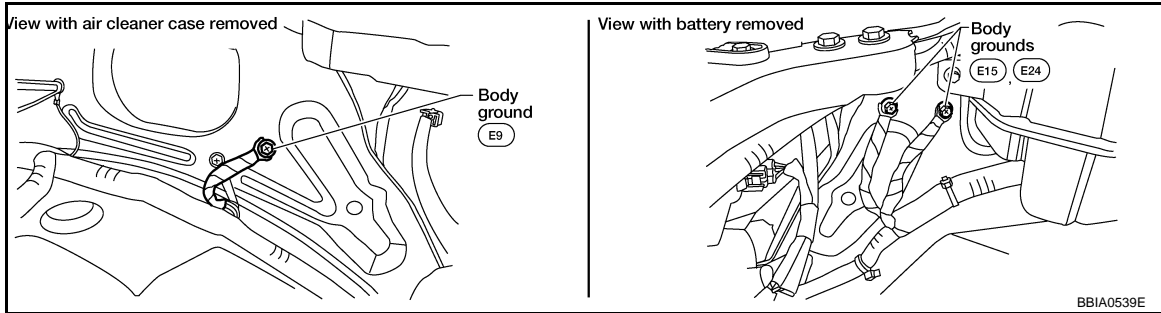


# P2135 TP SENSOR

< COMPONENT DIAGNOSIS >

[VQ40DE]

Refer to [EC-95. "Ground Inspection"](#).

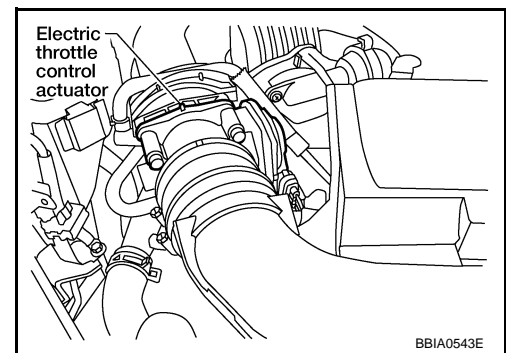


OK or NG

- OK >> GO TO 2.
- NG >> Repair or replace ground connections.

## 2. CHECK THROTTLE POSITION SENSOR POWER SUPPLY CIRCUIT-1

1. Disconnect electric throttle control actuator harness connector.
2. Turn ignition switch ON.

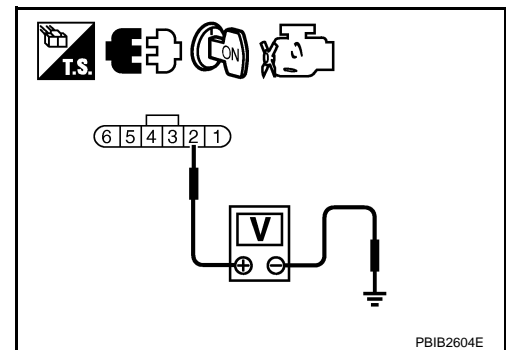


3. Check voltage between electric throttle control actuator terminal 2 and ground with CONSULT-III or tester.

**Voltage: Approximately 5V**

OK or NG

- OK >> GO TO 7.
- NG >> GO TO 3.



## 3. CHECK THROTTLE POSITION SENSOR POWER SUPPLY CIRCUIT-II

1. Turn ignition switch OFF.
2. Disconnect ECM harness connector.
3. Check harness continuity between electric throttle control actuator terminal 2 and ECM terminal 47. Refer to Wiring Diagram.

**Continuity should exist.**

OK or NG

- OK >> GO TO 4.
- NG >> Repair open circuit.

## 4. CHECK THROTTLE POSITION SENSOR POWER SUPPLY CIRCUIT-III

Check harness for short to power and short to ground, between the following terminals.

ECM terminal	Sensor terminal
47	Electric throttle control actuator terminal 2
91	APP sensor terminal 1

# P2135 TP SENSOR

[VQ40DE]

## < COMPONENT DIAGNOSIS >

### OK or NG

- OK >> GO TO 5.
- NG >> Repair short to ground or short to power in harness or connectors.

## 5. CHECK APP SENSOR

Refer to [EC-371, "Component Inspection"](#).

### OK or NG

- OK >> GO TO 11.
- NG >> GO TO 6.

## 6. REPLACE ACCELERATOR PEDAL ASSEMBLY

1. Replace accelerator pedal assembly.
2. Perform [EC-25, "Accelerator Pedal Released Position Learning"](#).
3. Perform [EC-25, "Throttle Valve Closed Position Learning"](#).
4. Perform [EC-25, "Idle Air Volume Learning"](#).

>> **INSPECTION END**

## 7. CHECK THROTTLE POSITION SENSOR GROUND CIRCUIT FOR OPEN AND SHORT

1. Turn ignition switch OFF.
2. Disconnect ECM harness connector.
3. Check harness continuity between electric throttle control actuator terminal 4 and ECM terminal 66.  
Refer to Wiring Diagram.

**Continuity should exist.**

4. Also check harness for short to ground and short to power.

### OK or NG

- OK >> GO TO 8.
- NG >> Repair open circuit or short to ground or short to power in harness or connectors.

## 8. CHECK THROTTLE POSITION SENSOR INPUT SIGNAL CIRCUIT FOR OPEN AND SHORT

1. Check harness continuity between ECM terminal 50 and electric throttle control actuator terminal 1, ECM terminal 69 and electric throttle control actuator terminal 3.  
Refer to Wiring Diagram.

**Continuity should exist.**

2. Also check harness for short to ground and short to power.

### OK or NG

- OK >> GO TO 9.
- NG >> Repair open circuit or short to ground or short to power in harness or connectors.

## 9. CHECK THROTTLE POSITION SENSOR

Refer to [EC-375, "Component Inspection"](#).

### OK or NG

- OK >> GO TO 11.
- NG >> GO TO 10.

## 10. REPLACE ELECTRIC THROTTLE CONTROL ACTUATOR

1. Replace the electric throttle control actuator.
2. Perform [EC-25, "Throttle Valve Closed Position Learning"](#).
3. Perform [EC-25, "Idle Air Volume Learning"](#).

>> **INSPECTION END**

## 11. CHECK INTERMITTENT INCIDENT

Refer to [GI-49, "Intermittent Incident"](#).

>> INSPECTION END

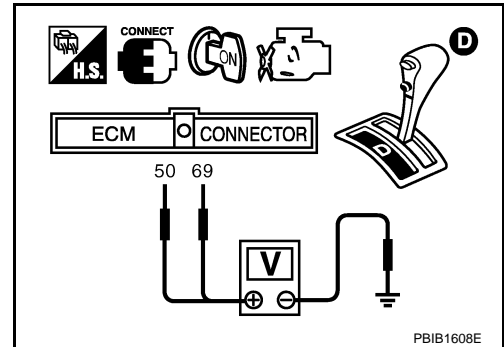
Component Inspection

INFOID:000000004297618

THROTTLE POSITION SENSOR

1. Reconnect all harness connectors disconnected.
2. Perform [EC-25. "Throttle Valve Closed Position Learning"](#).
3. Turn ignition switch ON.
4. Set selector lever to D.
5. Check voltage between ECM terminals 50 (TP sensor 1 signal), 69 (TP sensor 2 signal) and ground under the following conditions.

Terminal	Accelerator pedal	Voltage
50 (Throttle position sensor 1)	Fully released	More than 0.36V
	Fully depressed	Less than 4.75V
69 (Throttle position sensor 2)	Fully released	Less than 4.75V
	Fully depressed	More than 0.36V



6. If NG, replace electric throttle control actuator and go to the next step.
7. Perform [EC-25. "Throttle Valve Closed Position Learning"](#).
8. Perform [EC-25. "Idle Air Volume Learning"](#).

A  
EC  
C  
D  
E  
F  
G  
H  
I  
J  
K  
L  
M  
N  
O  
P

P2138 APP SENSOR

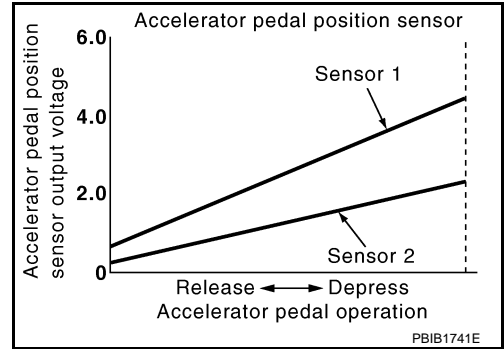
Component Description

INFOID:000000004297619

The accelerator pedal position sensor is installed on the upper end of the accelerator pedal assembly. The sensor detects the accelerator position and sends a signal to the ECM.

Accelerator pedal position sensor has two sensors. These sensors are a kind of potentiometers which transform the accelerator pedal position into output voltage, and emit the voltage signal to the ECM. In addition, these sensors detect the opening and closing speed of the accelerator pedal and feed the voltage signals to the ECM. The ECM judges the current opening angle of the accelerator pedal from these signals and controls the throttle control motor based on these signals.

Idle position of the accelerator pedal is determined by the ECM receiving the signal from the accelerator pedal position sensor. The ECM uses this signal for the engine operation such as fuel cut.



On Board Diagnosis Logic

INFOID:000000004297620

This self-diagnosis has the one trip detection logic.

NOTE:

If DTC P2138 is displayed with DTC P0643, first perform the trouble diagnosis for DTC P0643. Refer to [EC-302](#).

DTC No.	Trouble diagnosis name	DTC detecting condition	Possible cause
P2138 2138	Accelerator pedal position sensor circuit range/performance	Rationally incorrect voltage is sent to ECM compared with the signals from APP sensor 1 and APP sensor 2.	<ul style="list-style-type: none"> <li>• Harness or connector (The APP sensor 1 and 2 circuit is open or shorted.) (The TP sensor circuit is shorted.)</li> <li>• Accelerator pedal position sensor (APP sensor 1 and 2)</li> <li>• Electric throttle control actuator (TP sensor 1 and 2)</li> </ul>

FAIL-SAFE MODE

When the malfunction is detected, ECM enters fail-safe mode and the MIL illuminates.

Engine operating condition in fail-safe mode

The ECM controls the electric throttle control actuator in regulating the throttle opening in order for the idle position to be within +10 degrees.

The ECM regulates the opening speed of the throttle valve to be slower than the normal condition. So, the acceleration will be poor.

DTC Confirmation Procedure

INFOID:000000004297621

NOTE:

If DTC Confirmation Procedure has been previously conducted, always perform the following before conducting the next step.

1. Turn ignition switch OFF and wait at least 10 seconds.
2. Turn ignition switch ON.
3. Turn ignition switch OFF and wait at least 10 seconds.

TESTING CONDITION:

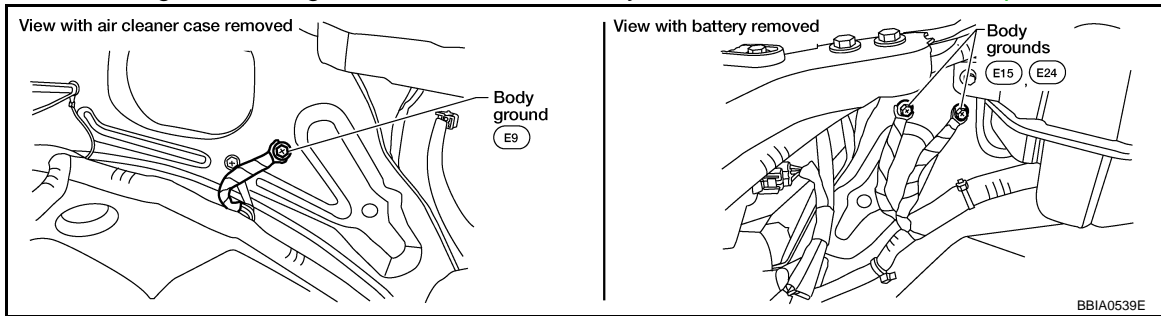
Before performing the following procedure, confirm that battery voltage is more than 10V at idle.

1. Start engine and let it idle for 1 second.
2. Check DTC.
3. If DTC is detected, go to [EC-377, "Diagnosis Procedure"](#).

Diagnosis Procedure

1. CHECK GROUND CONNECTIONS

1. Turn ignition switch OFF.
2. Loosen and retighten three ground screws on the body. Refer to [EC-95. "Ground Inspection"](#).

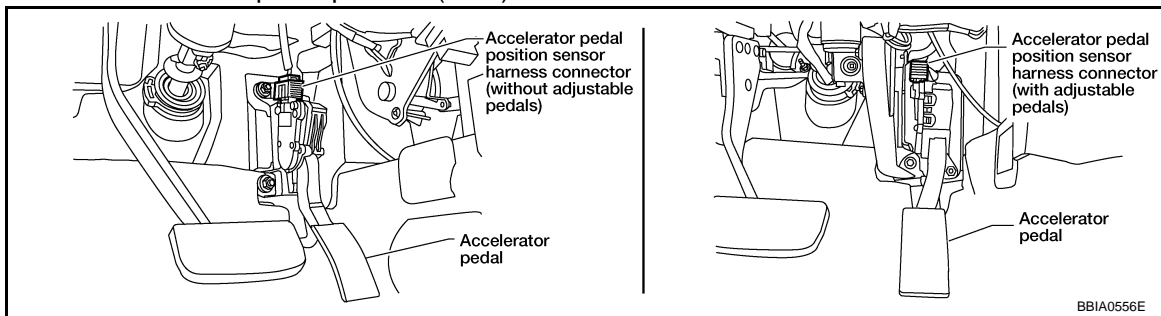


OK or NG

- OK >> GO TO 2.
- NG >> Repair or replace ground connections.

2. CHECK APP SENSOR 1 POWER SUPPLY CIRCUIT

1. Disconnect accelerator pedal position (APP) sensor harness connector.

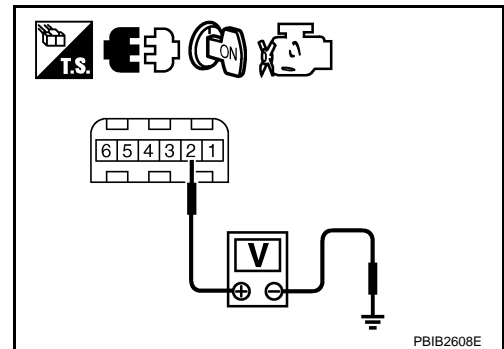


2. Turn ignition switch ON.
3. Check voltage between APP sensor terminals 2 and ground with CONSULT-III or tester.

**Voltage: Approximately 5V**

OK or NG

- OK >> GO TO 3.
- NG >> Repair open circuit or short to ground or short to power in harness or connectors.



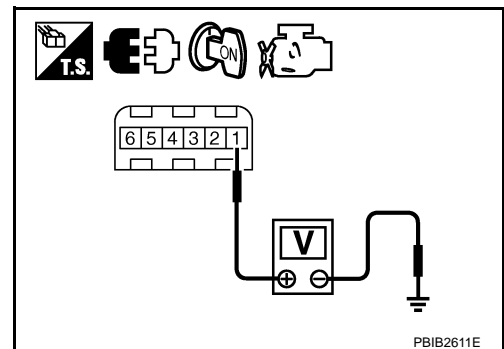
3. CHECK APP SENSOR 2 POWER SUPPLY CIRCUIT-I

Check voltage between APP sensor terminal 1 and ground with CONSULT-III or tester.

1. **Voltage: Approximately 5V**

OK or NG

- OK >> GO TO 8.
- NG >> GO TO 4.



4. CHECK APP SENSOR 2 POWER SUPPLY CIRCUIT-II

1. Turn ignition switch OFF.

## P2138 APP SENSOR

[VQ40DE]

### < COMPONENT DIAGNOSIS >

2. Disconnect ECM harness connector.
3. Check harness continuity between APP sensor terminal 1 and ECM terminal 91.  
Refer to wiring diagram.

**Continuity should exist.**

#### OK or NG

- OK >> GO TO 5.  
NG >> Repair open circuit.

### 5. CHECK APP SENSOR 2 POWER SUPPLY CIRCUIT-III

Check harness for short to power and short to ground, between the following terminals.

ECM terminal	Sensor terminal
91	APP sensor terminal 1
47	Electric throttle control actuator terminal 2

#### OK or NG

- OK >> GO TO 6.  
NG >> Repair open circuit or short to ground or short to power in harness or connectors.

### 6. CHECK THROTTLE POSITION SENSOR

Refer to [EC-202, "Component Inspection"](#).

#### OK or NG

- OK >> GO TO 12.  
NG >> GO TO 7.

### 7. REPLACE ELECTRIC THROTTLE CONTROL ACTUATOR

1. Replace electric throttle control actuator.
2. Perform [EC-25, "Throttle Valve Closed Position Learning"](#).
3. Perform [EC-25, "Idle Air Volume Learning"](#).

**>> INSPECTION END**

### 8. CHECK APP SENSOR GROUND CIRCUIT FOR OPEN AND SHORT

1. Turn ignition switch OFF.
2. Disconnect ECM harness connector.
3. Check harness continuity between APP sensor terminals 4 and ECM terminal 82, APP sensor terminal 5 and ECM terminal 83.  
Refer to Wiring Diagram.

**Continuity should exist.**

4. Also check harness for short to ground and short to power.

#### OK or NG

- OK >> GO TO 9.  
NG >> Repair open circuit or short to ground or short to power in harness or connectors.

### 9. CHECK APP SENSOR INPUT SIGNAL CIRCUIT FOR OPEN AND SHORT

1. Check harness continuity between ECM terminal 106 and APP sensor terminal 3, ECM terminal 98 and APP sensor terminal 6.  
Refer to Wiring Diagram.

**Continuity should exist.**

2. Also check harness for short to ground and short to power.

#### OK or NG

- OK >> GO TO 10.  
NG >> Repair open circuit or short to ground or short to power in harness or connectors.

10. CHECK APP SENSOR

Refer to [EC-379, "Component Inspection"](#).

OK or NG

- OK >> GO TO 12.
- NG >> GO TO 11.

11. REPLACE ACCELERATOR PEDAL ASSEMBLY

1. Replace accelerator pedal assembly.
2. Perform [EC-25, "Accelerator Pedal Released Position Learning"](#).
3. Perform [EC-25, "Throttle Valve Closed Position Learning"](#).
4. Perform [EC-25, "Idle Air Volume Learning"](#).

>> INSPECTION END

12. CHECK INTERMITTENT INCIDENT

Refer to [GI-49, "Intermittent Incident"](#).

>> INSPECTION END

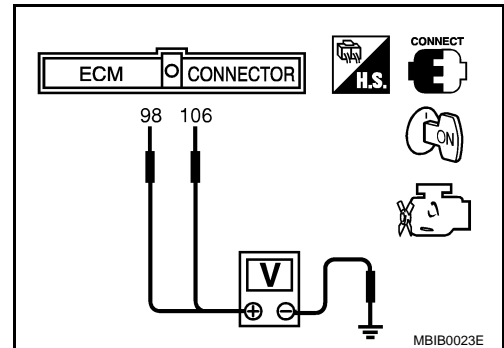
Component Inspection

INFOID:000000004297623

ACCELERATOR PEDAL POSITION SENSOR

1. Reconnect all harness connectors disconnected.
2. Turn ignition switch ON.
3. Check voltage between ECM terminals 106 (APP sensor 1 signal), 98 (APP sensor 2 signal) and ground under the following conditions.

Terminal	Accelerator pedal	Voltage
106 (Accelerator pedal position sensor 1)	Fully released	0.65 - 0.87V
	Fully depressed	More than 4.3V
98 (Accelerator pedal position sensor 2)	Fully released	0.28 - 0.48V
	Fully depressed	More than 2.0V



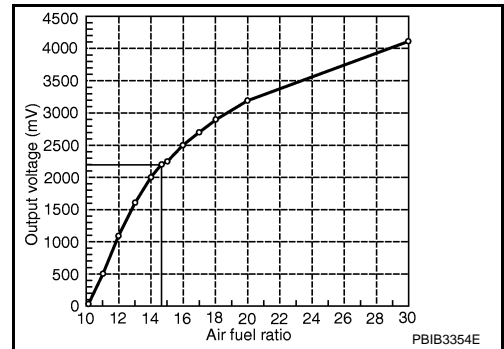
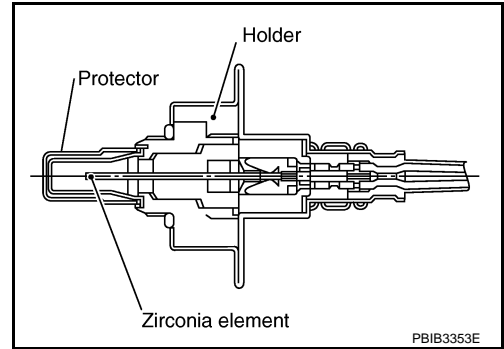
4. If NG, replace accelerator pedal assembly and go to next step.
5. Perform [EC-25, "Accelerator Pedal Released Position Learning"](#).
6. Perform [EC-25, "Throttle Valve Closed Position Learning"](#).
7. Perform [EC-25, "Idle Air Volume Learning"](#).

P2A00, P2A03 A/F SENSOR 1

Component Description

INFOID:000000004297624

The air fuel ratio (A/F) sensor 1 is a planar one-cell limit current sensor. The sensor element of the A/F sensor 1 is composed an electrode layer, which transports ions. It has a heater in the element. The sensor is capable of precise measurement  $\lambda = 1$ , but also in the lean and rich range. Together with its control electronics, the sensor outputs a clear, continuous signal throughout a wide  $\lambda$  range. The exhaust gas components diffuse through the diffusion layer at the sensor cell. An electrode layer is applied voltage, and this current relative oxygen density in lean. Also this current relative hydrocarbon density in rich. Therefore, the A/F sensor 1 is able to indicate air fuel ratio by this electrode layer of current. In addition, a heater is integrated in the sensor to ensure the required operating temperature of about 800°C (1,472°F).



On Board Diagnosis Logic

INFOID:000000004297625

To judge the malfunction, the A/F signal computed by ECM from the A/F sensor 1 signal is monitored so it will not shift to LEAN side or RICH side.

DTC No.	Trouble diagnosis name	DTC detecting condition	Possible Cause
P2A00 2A00 (Bank 1)	Air fuel ratio (A/F) sensor 1 circuit range/performance	<ul style="list-style-type: none"> <li>The output voltage computed by ECM from the A/F sensor 1 signal shifts to the lean side for a specified period.</li> <li>The A/F signal computed by ECM from the A/F sensor 1 signal shifts to the rich side for a specified period.</li> </ul>	<ul style="list-style-type: none"> <li>A/F sensor 1</li> <li>A/F sensor 1 heater</li> <li>Fuel pressure</li> <li>Fuel injector</li> <li>Intake air leaks</li> </ul>
P2A03 2A03 (Bank 2)			

DTC Confirmation Procedure

INFOID:000000004297626

**NOTE:**

If DTC Confirmation Procedure has been previously conducted, always perform the following before conducting the next step.

1. Turn ignition switch OFF and wait at least 10 seconds.
2. Turn ignition switch ON.
3. Turn ignition switch OFF and wait at least 10 seconds.

**TESTING CONDITION:**

Before performing the following procedure, confirm that battery voltage is more than 11V at idle.

④ WITH CONSULT-III

1. Start engine and warm it up to normal operating temperature.
2. Turn ignition switch OFF and wait at least 10 seconds.
3. Turn ignition switch ON.
4. Turn ignition switch OFF and wait at least 10 seconds.
5. Turn ignition switch ON and select "SELF-LEARNING CONT" in "WORK SUPPORT" mode with CONSULT-III.
6. Clear the self-learning coefficient by touching "CLEAR".



# P2A00, P2A03 A/F SENSOR 1

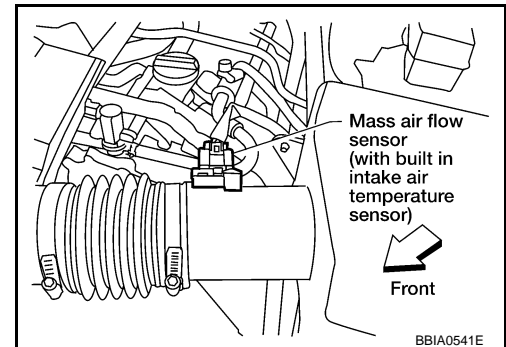
[VQ40DE]

## < COMPONENT DIAGNOSIS >

7. Turn ignition switch OFF and wait at least 10 seconds.
8. Turn ignition switch ON.
9. Turn ignition switch OFF and wait at least 10 seconds.
10. Start engine and keep the engine speed between 3,500 and 4,000 rpm for 1 minute under no load.
11. Let engine idle for 1 minute.
12. Keep engine speed between 2,500 and 3,000 rpm for 20 minutes.
13. Check 1st trip DTC.
14. If 1st trip DTC is detected, go to [EC-381, "Diagnosis Procedure"](#).

### WITH GST

1. Start engine and warm it up to normal operating temperature.
2. Turn ignition switch OFF and wait at least 10 seconds.
3. Turn ignition switch ON.
4. Turn ignition switch OFF and wait at least 10 seconds.
5. Disconnect mass air flow sensor harness connector.
6. Start engine and let it idle for at least 5 seconds.
7. Stop engine and reconnect mass air flow sensor harness connector.
8. Select Service \$03 with GST and make sure that DTC P0102 is detected.
9. Select Service \$04 with GST and erase the DTC P0102.
10. Start engine and keep the engine speed between 3,500 and 4,000 rpm for 1 minute under no load.
11. Let engine idle for 1 minute.
12. Keep engine speed between 2,500 and 3,000 rpm for 20 minutes.
13. Select Service \$07 with GST.  
If 1st trip DTC is detected, go to [EC-381, "Diagnosis Procedure"](#).

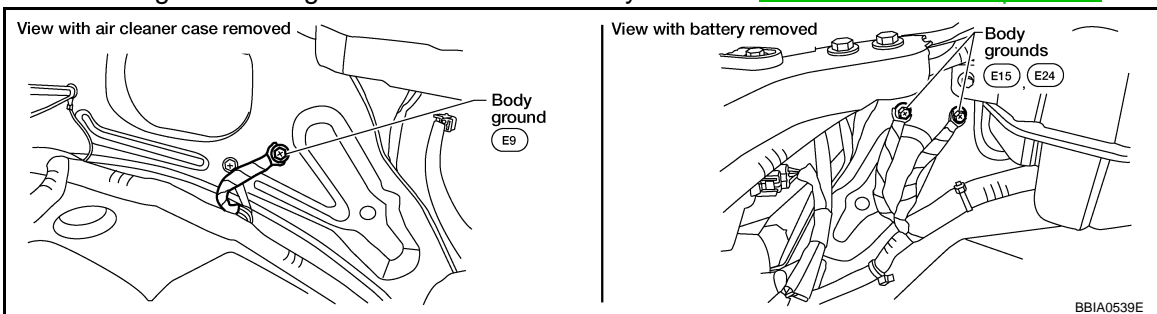


## Diagnosis Procedure

INFOID:000000004297627

### 1. CHECK GROUND CONNECTIONS

1. Turn ignition switch OFF.
2. Loosen and retighten three ground screws on the body. Refer to [EC-95, "Ground Inspection"](#).



#### OK or NG

- OK >> GO TO 2.  
NG >> Repair or replace ground connections.

### 2. RETIGHTEN AIR FUEL RATIO (A/F) SENSOR 1

Loosen and retighten the air fuel ratio (A/F) sensor 1.  
Refer to [EM-31, "Removal and Installation"](#).

>> GO TO 3.

### 3. CHECK FOR INTAKE AIR LEAK

1. Start engine and run it at idle.
2. Listen for an intake air leak after the mass air flow sensor.

#### OK or NG

- OK >> GO TO 4.

< COMPONENT DIAGNOSIS >

NG >> Repair or replace.

4. CLEAR THE SELF-LEARNING DATA.

 **With CONSULT-III**

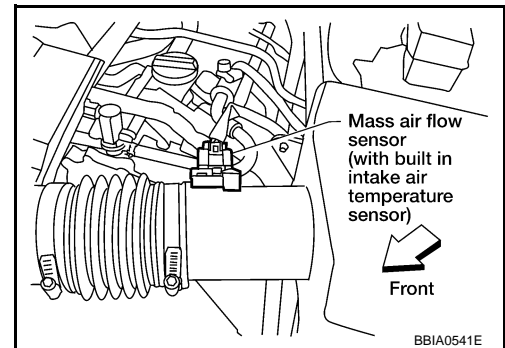
1. Start engine and warm it up to normal operating temperature.
2. Select "SELF-LEARNING CONT" in "WORK SUPPORT" mode with CONSULT-III.
3. Clear the self-learning control coefficient by touching "CLEAR".
4. Run engine for at least 10 minutes at idle speed.

**Is the 1st trip DTC P0171, P0174 or P0175 detected?  
Is it difficult to start engine?**

 **Without CONSULT-III**

1. Start engine and warm it up to normal operating temperature.
2. Turn ignition switch OFF.
3. Disconnect mass air flow sensor harness connector.
4. Restart engine and let it idle for at least 3 seconds.
5. Stop engine and reconnect mass air flow sensor harness connector.
6. Make sure DTC P0102 is displayed.
7. Erase the DTC memory. Refer to [EC-53. "Emission-related Diagnostic Information"](#).
8. Make sure DTC P0000 is displayed.
9. Run engine for at least 10 minutes at idle speed.

**Is the 1st trip DTC P0171, P0172 or P0174, P0175 detected?  
Is it difficult to start engine?**

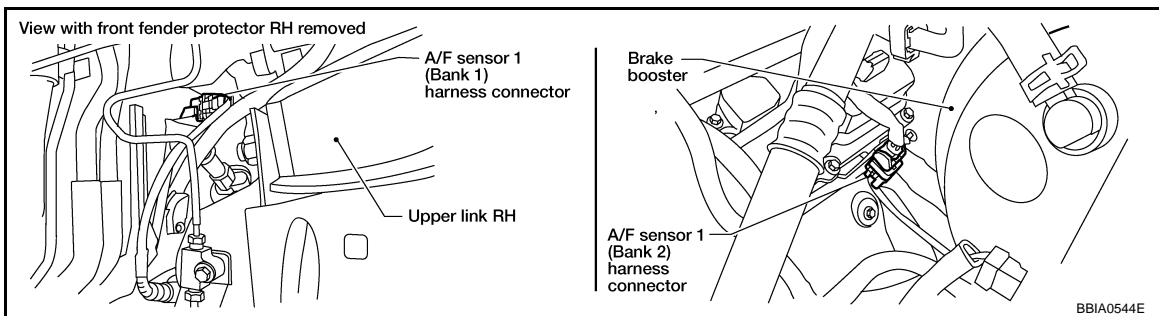


Yes or No

- Yes >> Perform trouble diagnosis for DTC P0171, P0174 or P0172, P0175. Refer to [EC-181](#) or [EC-187](#).  
No >> GO TO 5.

5. CHECK HARNESS CONNECTOR

1. Turn ignition switch OFF.
2. Disconnect A/F sensor 1 harness connector.



3. Check harness connector for water.

**Water should not exit.**

OK or NG

- OK >> GO TO 6.  
NG >> Repair or replace harness connector.

6. CHECK A/F SENSOR 1 POWER SUPPLY CIRCUIT

1. Turn ignition switch ON.

# P2A00, P2A03 A/F SENSOR 1

[VQ40DE]

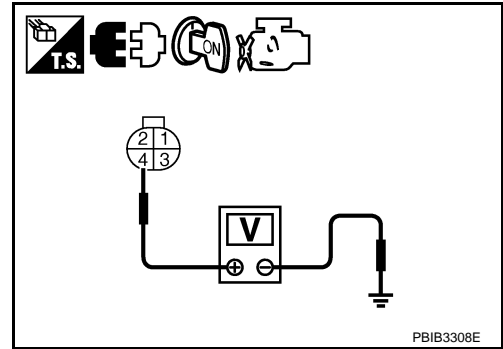
## < COMPONENT DIAGNOSIS >

- Check voltage between A/F sensor 1 terminal 4 and ground with CONSULT-III or tester.

**Voltage: Battery voltage**

### OK or NG

- OK >> GO TO 8.
- NG >> GO TO 7.



## 7. DETECT MALFUNCTIONING PART

Check the following.

- Harness connectors E2, F32
- IPDM E/R connector E119
- 15 A fuse (No.51)
- Harness for open or short between A/F sensor 1 and fuse

>> Repair or replace harness or connectors.

## 8. CHECK A/F SENSOR 1 INPUT SIGNAL CIRCUIT

- Turn ignition switch OFF.
- Disconnect ECM harness connector.
- Check harness continuity between A/F sensor 1 terminal and ECM terminal as follows. Refer to Wiring Diagram.

	A/F sensor 1 terminal	ECM terminal
Bank 1	1	16
	2	75
Bank 2	1	35
	2	56

**Continuity should exist.**

- Check harness continuity between the following terminals and ground. Refer to Wiring Diagram.

Bank 1		Bank 2	
A/F sensor 1 terminal	ECM terminal	A/F sensor 1 terminal	ECM terminal
1	16	1	35
2	75	2	56

**Continuity should not exist.**

- Also check harness for short to ground and short to power.

### OK or NG

- OK >> GO TO 9.
- NG >> Repair open circuit or short to ground or short to power in harness or connectors.

## 9. CHECK A/F SENSOR 1 HEATER

Refer to [EC-103. "Component Inspection"](#).

### OK or NG

- OK >> GO TO 10.
- NG >> GO TO 11.

< COMPONENT DIAGNOSIS >

**10.**CHECK INTERMITTENT INCIDENT

Perform [GI-49. "Intermittent Incident"](#).

OK or NG

- OK >> GO TO 11.
- NG >> Repair or replace.

**11.**REPLACE A/F SENSOR 1

Replace malfunctioning A/F sensor 1.

**CAUTION:**

- Discard any A/F sensor which has been dropped from a height of more than 0.5 m (19.7 in) onto a hard surface such as a concrete floor; use a new one.
- Before installing new A/F sensor, clean exhaust system threads using Heated Oxygen Sensor Thread Cleaner tool J-43897-18 or J-43897-12 and approved anti-seize lubricant.

>> GO TO 12.

**12.**CONFIRM A/F ADJUSTMENT DATA

1. Turn ignition switch ON.
2. Select "A/F ADJ-B1" and "A/F ADJ-B2" in "DATA MONITOR" mode with CONSULT-III.
3. Make sure that "0" is displayed on CONSULT-III screen.

OK or NG

- OK >> **INSPECTION END**
- NG >> GO TO 13.

**13.**CREAR A/F ADJUSTMENT DATA

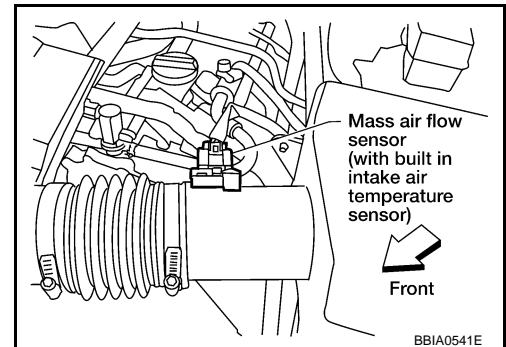
 **With CONSULT-III**

1. Start engine and warm it up to normal operating temperature.
2. Select "SELF-LEARNING CONT" in "WORK SUPPORT" mode with CONSULT-III.
3. Clear the self-learning control coefficient by touching "CLEAR".

 **Without CONSULT-III**

1. Start engine and warm it up to normal operating temperature.
2. Turn ignition switch OFF.
3. Disconnect mass air flow sensor harness connector.
4. Restart engine and let it idle for at least 5 seconds.
5. Stop engine and reconnect mass air flow sensor harness connector.
6. Make sure DTC P0102 is displayed.
7. Erase the DTC memory. Refer to [EC-53. "Emission-related Diagnostic Information"](#).
8. Make sure DTC P0000 is displayed.

>> GO TO 14.



**14.**CONFIRM A/F ADJUSTMENT DATA

1. Turn ignition switch OFF and then ON.
2. Select "A/F ADJ-B1" and "A/F ADJ-B2" in "DATA MONITOR" mode with CONSULT-III.
3. Make sure that "0" is displayed on CONSULT-III screen.

OK or NG

- OK >> **INSPECTION END**

# ASCD BRAKE SWITCH

< COMPONENT DIAGNOSIS >

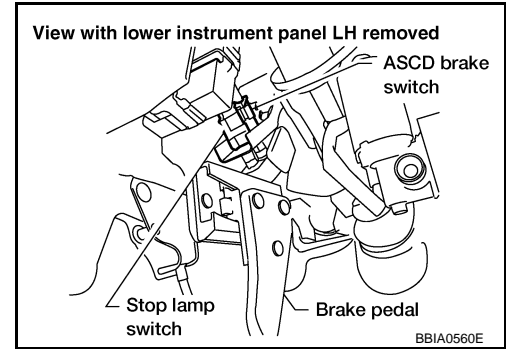
[VQ40DE]

## ASCD BRAKE SWITCH

### Component Description

INFOID:000000004297628

When the brake pedal is depressed, ASCD brake switch is turned OFF and stop lamp switch is turned ON. ECM detects the state of the brake pedal by two types of input (ON/OFF signal). Refer to [EC-41, "System Description"](#) for the ASCD function.



### Diagnosis Procedure

INFOID:000000004297629

#### 1. CHECK OVERALL FUNCTION-I

##### With CONSULT-III

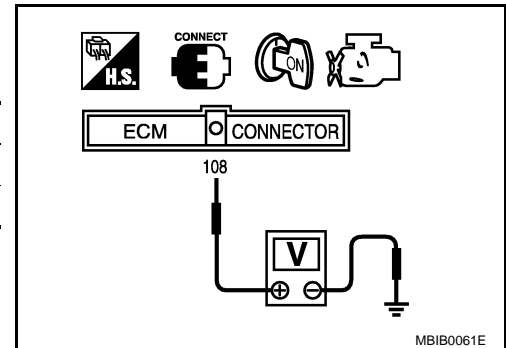
1. Turn ignition switch ON.
2. Select "BRAKE SW1" in "DATA MONITOR" mode with CONSULT-III.
3. Check "BRAKE SW1" indication under the following conditions.

CONDITION	INDICATION
When brake pedal: Slightly depressed	OFF
When brake pedal: Fully released	ON

##### Without CONSULT-III

1. Turn ignition switch ON.
2. Check voltage between ECM terminal 108 and ground under the following conditions.

CONDITION	VOLTAGE
When brake pedal: Slightly depressed	Approximately 0V
When brake pedal: Fully released	Battery voltage



#### OK or NG

- OK >> GO TO 2.  
 NG >> GO TO 3.

#### 2. CHECK OVERALL FUNCTION-II

##### With CONSULT-III

Check "BRAKE SW2" indication in "DATA MONITOR" mode.

CONDITION	INDICATION
When brake pedal: Fully released	OFF
When brake pedal: Slightly depressed	ON

##### Without CONSULT-III

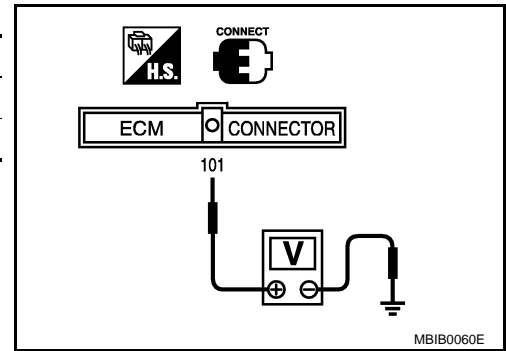
Check voltage between ECM terminal 101 and ground under the following conditions.

# ASCD BRAKE SWITCH

[VQ40DE]

## < COMPONENT DIAGNOSIS >

CONDITION	VOLTAGE
When brake pedal: Fully released	Approximately 0V
When brake pedal: Slightly depressed	Battery voltage



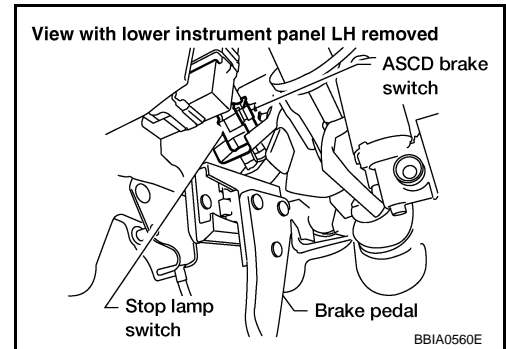
### OK or NG

OK >> **INSPECTION END**

NG >> GO TO 7.

## 3. CHECK ASCD BRAKE SWITCH POWER SUPPLY CIRCUIT

1. Turn ignition switch OFF.
2. Disconnect ASCD brake switch harness connector.
3. Turn ignition switch ON.



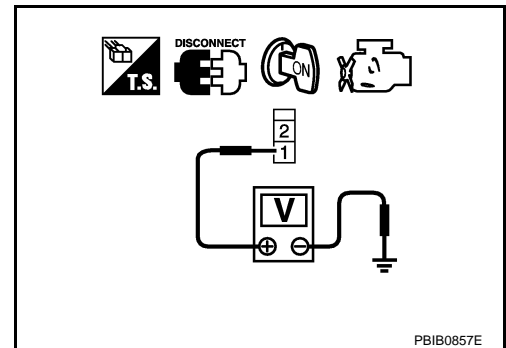
4. Check voltage between ASCD brake switch terminal 1 and ground with CONSULT-III or tester.

**Voltage: Battery voltage**

### OK or NG

OK >> GO TO 5.

NG >> GO TO 4.



## 4. DETECT MALFUNCTIONING PART

Check the following.

- Fuse block (J/B) connector E160
- 10A fuse
- Harness for open or short between ASCD brake switch and fuse

>> Repair open circuit or short to ground in harness or connectors.

## 5. CHECK ASCD BRAKE SWITCH INPUT SIGNAL CIRCUIT FOR OPEN AND SHORT

1. Turn ignition switch OFF.
2. Disconnect ECM harness connector.
3. Check harness continuity between ECM terminal 108 and ASCD brake switch terminal 2. Refer to Wiring Diagram.

**Continuity should exist.**

4. Also check harness for short to ground and short to power.

# ASCD BRAKE SWITCH

[VQ40DE]

## < COMPONENT DIAGNOSIS >

### OK or NG

OK >> GO TO 6.

NG >> Repair open circuit or short to ground or short to power in harness or connectors.

## 6.CHECK ASCD BRAKE SWITCH

Refer to [EC-388. "Component Inspection"](#).

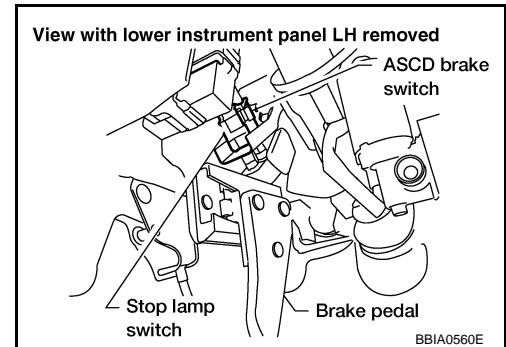
### OK or NG

OK >> GO TO 11.

NG >> Replace ASCD brake switch.

## 7.CHECK STOP LAMP SWITCH POWER SUPPLY CIRCUIT

1. Turn ignition switch OFF.
2. Disconnect stop lamp switch harness connector.



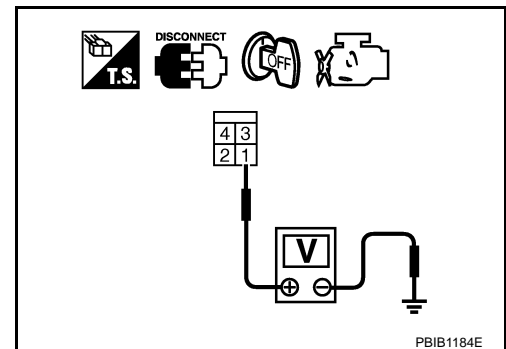
3. Check voltage between stop lamp switch terminal 1 and ground with CONSULT -II or tester.

**Voltage: Battery voltage**

### OK or NG

OK >> GO TO 9.

NG >> GO TO 8.



## 8.DETECT MALFUNCTIONING PART

Check the following.

- Fuse block (J/B) connector E160
- 10A fuse
- Harness for open or short between stop lamp switch and battery

>> Repair open circuit or short to ground or short to power in harness or connectors.

## 9.CHECK STOP LAMP SWITCH INPUT SIGNAL CIRCUIT FOR OPEN AND SHORT

1. Disconnect ECM harness connector.
2. Check harness continuity between ECM terminal 101 and stop lamp switch terminal 2. Refer to Wiring Diagram.

**Continuity should exist.**

3. Also check harness for short to ground and short to power.

### OK or NG

OK >> GO TO 10.

NG >> Repair open circuit or short to ground or short to power in harness or connectors.

## 10.CHECK STOP LAMP SWITCH

Refer to [EC-388. "Component Inspection"](#).

# ASCD BRAKE SWITCH

[VQ40DE]

## < COMPONENT DIAGNOSIS >

### OK or NG

- OK >> GO TO 11.
- NG >> Replace stop lamp switch.

## 11. CHECK INTERMITTENT INCIDENT

Refer to [GI-49, "Intermittent Incident"](#).

>> **INSPECTION END**

## Component Inspection

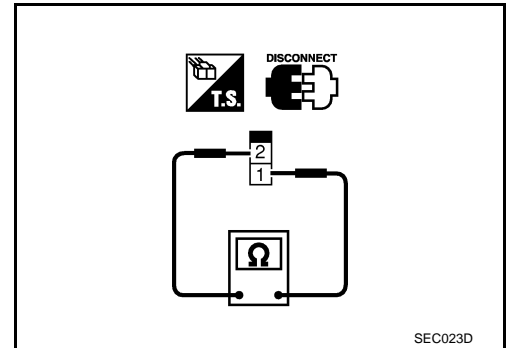
INFOID:000000004297630

### ASCD BRAKE SWITCH

1. Turn ignition switch OFF.
2. Disconnect ASCD brake switch harness connector.
3. Check harness continuity between ASCD brake switch terminals 1 and 2 under the following conditions.

Condition	Continuity
When brake pedal: Fully released.	Should exist.
When brake pedal: Slightly depressed.	Should not exist.

If NG, adjust ASCD brake switch installation, refer to [BR-17, "Inspection and Adjustment - Standard Pedal"](#) or [BR-18, "Inspection and Adjustment - Adjustable Pedal"](#) and perform step 3 again.

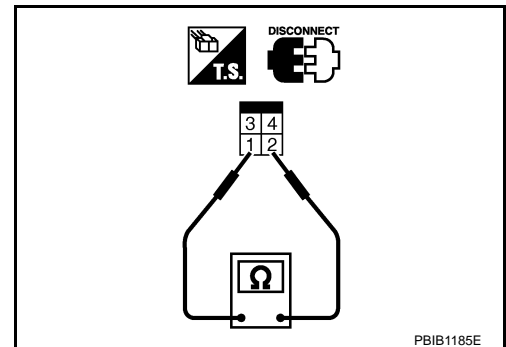


### STOP LAMP SWITCH

1. Turn ignition switch OFF.
2. Disconnect stop lamp switch harness connector.
3. Check harness continuity between stop lamp switch terminals 1 and 2 under the following conditions.

Condition	Continuity
When brake pedal: Fully released.	Should not exist.
When brake pedal: Slightly depressed.	Should exist.

If NG, adjust stop lamp switch installation, refer to [BR-17, "Inspection and Adjustment - Standard Pedal"](#) or [BR-18, "Inspection and Adjustment - Adjustable Pedal"](#), and perform step 3 again.





## ASCD INDICATOR

### Component Description

INFOID:000000004297631

ASCD indicator lamp illuminates to indicate ASCD operation status. Lamp has two indicators, CRUISE and SET, and is integrated in combination meter.

CRUISE indicator illuminates when MAIN switch on ASCD steering switch is turned ON to indicated that ASCD system is ready for operation.

SET indicator illuminates when the following conditions are met.

- CRUISE indicator is illuminated.
- SET/COAST switch on ASCD steering switch is turned ON while vehicle speed is within the range of the ASCD setting.

SET indicator remains lit during ASCD control.

Refer to [EC-41. "System Description"](#) for the ASCD function.

### Diagnosis Procedure

INFOID:000000004297632

#### 1. CHECK OVERALL FUNCTION

Check ASCD indicator under the following conditions.

ASCD INDICATOR	CONDITION		SPECIFICATION
CRUISE LAMP	<ul style="list-style-type: none"> <li>• Ignition switch: ON</li> </ul>	MAIN switch: pressed at the 1st time → at the 2nd time	ON → OFF
SET LAMP	<ul style="list-style-type: none"> <li>• MAIN switch: ON</li> <li>• When vehicle speed is between 40 km/h (25 MPH) and 144 km/h (89 MPH)</li> </ul>	ASCD: Operating	ON
		ASCD: Not operating	OFF

#### OK or NG

OK >> **INSPECTION END**

NG >> GO TO 2.

#### 2. CHECK DTC

Check that DTC UXXXX is not displayed.

#### OK or NG

OK >> GO TO 3.

NG >> Perform trouble diagnoses for DTC UXXXX.

#### 3. CHECK COMBINATION METER FUNCTION

Refer to [MWI-3. "Work Flow"](#).

#### OK or NG

OK >> GO TO 4.

NG >> Go to .

#### 4. CHECK INTERMITTENT INCIDENT

Refer to [GI-49. "Intermittent Incident"](#).

**>> INSPECTION END**

# COOLING FAN

< COMPONENT DIAGNOSIS >

[VQ40DE]

## COOLING FAN

### Description

INFOID:000000004297633

### COMPONENT DESCRIPTION

Cooling Fan Motor

The cooling fan operates at each speed when the current flows in the cooling fan motor as follows.

Cooling fan speed	Cooling fan motor terminals	
	(+)	(-)
Low (LOW)	1	3 and 4
	2	3 and 4
High (HI)	1 and 2	3 and 4

### Diagnosis Procedure

INFOID:000000004297634

#### 1. CHECK IPDM E/R GROUND CIRCUIT

1. Turn ignition switch OFF.
2. Disconnect IPDM E/R harness connectors E122, E124.
3. Check harness continuity between IPDM E/R terminals 38, 59 and ground.  
Refer to Wiring Diagram.

**Continuity should exist.**

4. Also check harness for short to power.

#### OK or NG

OK >> GO TO 2.

NG >> Repair open circuit or short to power in harness or connectors.

#### 2. CHECK COOLING FAN MOTOR CIRCUIT FOR OPEN AND SHORT

1. Disconnect cooling fan motor harness connector.
2. Check harness continuity between the following;  
cooling fan motor terminal 1 and IPDM E/R terminal 20,  
cooling fan motor terminal 2 and IPDM E/R terminal 24.  
Refer to Wiring Diagram.

**Continuity should exist.**

3. Also check harness for short to ground and short to power.

#### OK or NG

OK >> GO TO 3.

NG >> Repair open circuit or short to ground or short to power in harness or connectors.

#### 3. CHECK COOLING FAN MOTOR GROUND CIRCUIT FOR OPEN OR SHORT

1. Check harness continuity between the following;  
cooling fan motor terminal 3 and ground,  
cooling fan motor terminal 4 and ground.  
Refer to Wiring Diagram.

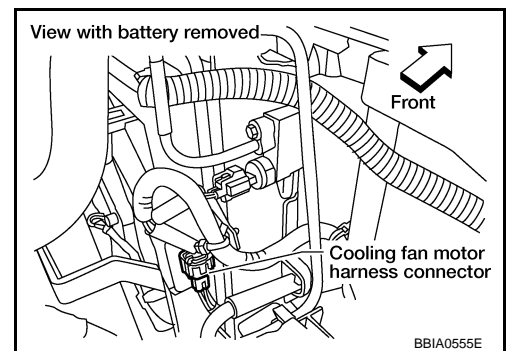
**Continuity should exist.**

2. Also check harness for short to power.

#### OK or NG

OK >> GO TO 4.

NG >> Repair open circuit or short to power in harness or connectors.



# COOLING FAN

< COMPONENT DIAGNOSIS >

[VQ40DE]

## 4. CHECK COOLING FAN MOTOR

Refer to [EC-391](#), "Component Inspection".

OK or NG

OK >> GO TO 5.

NG >> Replace cooling fan motor.

## 5. CHECK INTERMITTENT INCIDENT

Perform [GI-49](#), "Intermittent Incident".

OK or NG

OK >> INSPECTION END

NG >> Repair or replace harness or connector.

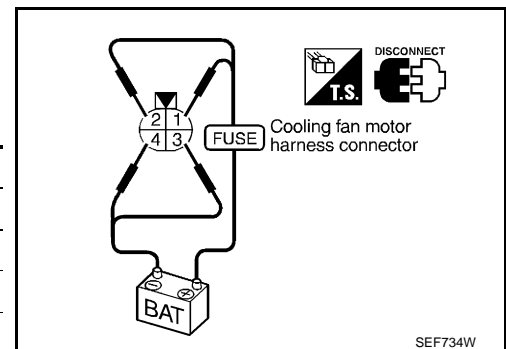
## Component Inspection

INFOID:000000004297635

### COOLING FAN MOTOR

1. Disconnect cooling fan motor harness connectors.
2. Supply cooling fan motor terminals with battery voltage and check operation.

Cooling fan speed	Cooling fan motor terminals	
	(+)	(-)
Low	1	3 and 4
	2	3 and 4
High	1 and 2	3 and 4



**Cooling fan motor should operate.**

If NG, replace cooling fan motor.

# ELECTRICAL LOAD SIGNAL

[VQ40DE]

< COMPONENT DIAGNOSIS >

## ELECTRICAL LOAD SIGNAL

### Description

INFOID:000000004297636

The electrical load signal (Headlamp switch signal, etc.) is transferred through the CAN communication line from BCM to ECM via IPDM E/R.

### Diagnosis Procedure

INFOID:000000004297637

#### 1. CHECK LOAD SIGNAL CIRCUIT OVERALL FUNCTION-I

1. Turn ignition switch ON.
2. Connect CONSULT-III and select "DATA MONITOR" mode.
3. Select "LOAD SIGNAL" and check indication under the following conditions.

Condition	Indication
Rear window defogger switch: ON	ON
Rear window defogger switch: OFF	OFF

#### OK or NG

- OK >> GO TO 2.  
NG >> GO TO 4.

#### 2. CHECK LOAD SIGNAL CIRCUIT OVERALL FUNCTION-II

Check "LOAD SIGNAL" indication under the following conditions.

Condition	Indication
Lighting switch: ON at 2nd position	ON
Lighting switch: OFF	OFF

#### OK or NG

- OK >> GO TO 3.  
NG >> GO TO 5.

#### 3. CHECK HEATER FAN SIGNAL CIRCUIT OVERALL FUNCTION

Select "HEATER FAN SW" and check indication under the following conditions.

Condition	Indication
Heater fan control switch: ON	ON
Heater fan control switch: OFF	OFF

#### OK or NG

- OK >> **INSPECTION END**  
NG >> GO TO 6.

#### 4. CHECK REAR WINDOW DEFOGGER SYSTEM

Refer to [DEF-3. "Repair Work Flow"](#).

>> **INSPECTION END**

#### 5. CHECK HEADLAMP SYSTEM

Refer to [EXL-4. "Work Flow"](#).

>> **INSPECTION END**

#### 6. CHECK HEATER FAN CONTROL SYSTEM

Refer to [HAC-108. "Symptom Matrix Chart"](#) or [HAC-174. "Symptom Matrix Chart"](#).

# ELECTRICAL LOAD SIGNAL

< COMPONENT DIAGNOSIS >

[VQ40DE]

>> INSPECTION END

A

EC

C

D

E

F

G

H

I

J

K

L

M

N

O

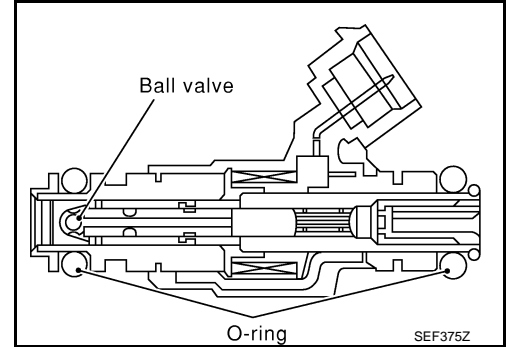
P

## FUEL INJECTOR

### Component Description

INFOID:000000004297638

The fuel injector is a small, precise solenoid valve. When the ECM supplies a ground to the fuel injector, the coil in the fuel injector is energized. The energized coil pulls the ball valve back and allows fuel to flow through the fuel injector into the intake manifold. The amount of fuel injected depends upon the injection pulse duration. Pulse duration is the length of time the fuel injector remains open. The ECM controls the injection pulse duration based on engine fuel needs.



### Diagnosis Procedure

INFOID:000000004352005

#### 1.INSPECTION START

Turn ignition switch to START.

**Are any cylinders ignited?**

Yes or No

- Yes (With CONSULT-III)>>GO TO 2.
- Yes (Without CONSULT-III)>>GO TO 3.
- No >> GO TO 7.

#### 2.CHECK OVERALL FUNCTION

**With CONSULT-III**

1. Start engine.
2. Perform "POWER BALANCE" in "ACTIVE TEST" mode with CONSULT-III.
3. Make sure that each circuit produces a momentary engine speed drop.

OK or NG

- OK >> **INSPECTION END**
- NG >> GO TO 7.

#### 3.CHECK FUNCTION OF FUEL INJECTOR-I

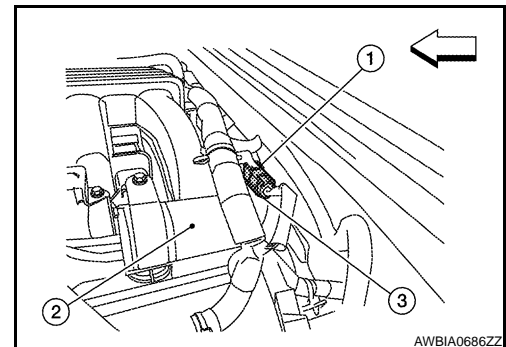
**Without CONSULT-III**

1. Stop engine.
2. Disconnect harness connector F44 (3), F201 (1)

2 : Vacuum tank

⇐ : Front

3. Turn ignition switch ON.



AWBIA0686ZZ

# FUEL INJECTOR

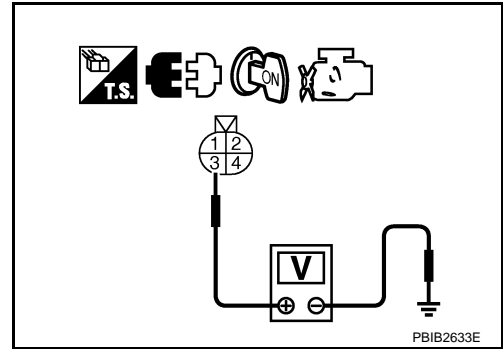
[VQ40DE]

## < COMPONENT DIAGNOSIS >

- Check voltage between harness connector F44 terminal 3 and ground with CONSULT-III or tester.

**Voltage: Battery voltage**

- Turn ignition switch OFF.
- Disconnect ECM harness connector.
- Check harness continuity between harness connector F44 and ECM as follows.  
Refer to Wiring Diagram.



Cylinder	Harness connector F44 terminal	ECM terminal
1	2	23
3	1	22
5	4	21

**Continuity should exist.**

- Also check harness for short to ground and short to power.

OK or NG

- OK >> GO TO 5.
- NG >> GO TO 4.

## 4. DETECT MALFUNCTIONING PART

Check the following.

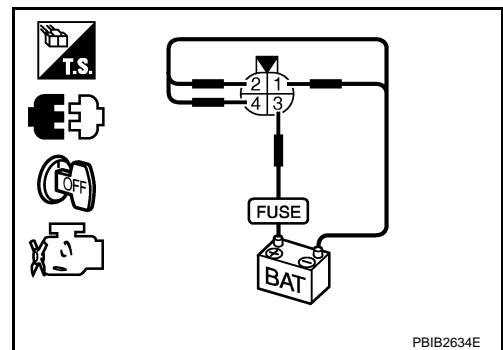
- Harness connectors E2, F32
- IPDM E/R harness connector E119
- 15 A fuse (No.55)
- Harness for open or short between harness connector F44 and fuse
- Harness for open or short between harness connector F201 and fuel injector

>> Repair open circuit or short to ground or short to power in harness or connectors.

## 5. CHECK FUNCTION OF FUEL INJECTOR-II

Provide battery voltage between harness connector F201 as follows and then interrupt it. Listen to each fuel injector operating sound.

Cylinder	Harness connector F201 terminal	
	(+)	(-)
1	3	2
3	3	1
5	3	4



**Operating sound should exist.**

OK or NG

- OK >> GO TO 6.
- NG >> GO TO 7.

## 6. CHECK FUNCTION OF FUEL INJECTOR-III

- Reconnect all harness connector disconnected.
- Start engine.

# FUEL INJECTOR

[VQ40DE]

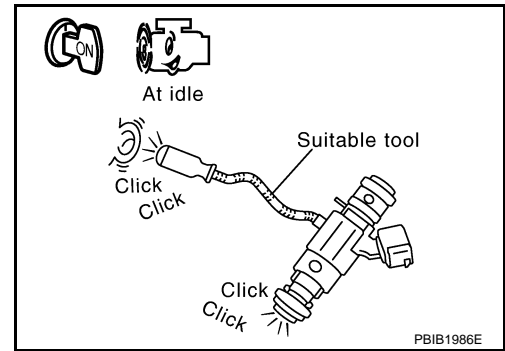
## < COMPONENT DIAGNOSIS >

- Listen to fuel injectors No. 2, No. 4, No.6 operating sound.

**Clicking noise should exist.**

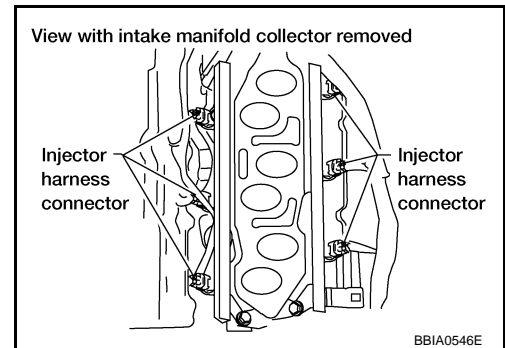
### OK or NG

- OK >> **INSPECTION END**  
NG >> GO TO 7.



## 7. CHECK FUEL INJECTOR POWER SUPPLY CIRCUIT

- Turn ignition switch OFF.
- Disconnect fuel injector harness connector.

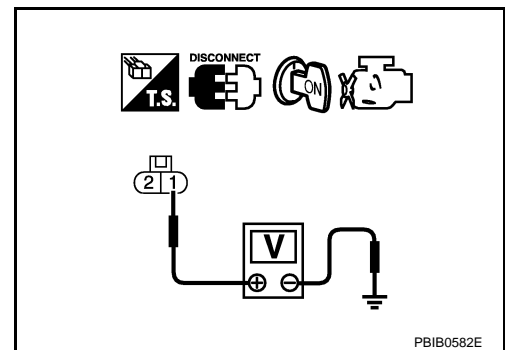


- Turn ignition switch ON.
- Check voltage between fuel injector terminal 1 and ground with CONSULT-III or tester.

**Voltage: Battery voltage**

### OK or NG

- OK >> GO TO 9.  
NG >> GO TO 8.



## 8. DETECT MALFUNCTIONING PART

Check the following.

- Harness connectors E2, F32
- Harness connectors F44, F201
- IPDM E/R harness connector E119
- 15 A fuse (No.55)
- Harness for open or short between fuel injector and fuse

>> Repair harness or connectors.

## 9. CHECK FUEL INJECTOR OUTPUT SIGNAL CIRCUIT FOR OPEN AND SHORT

- Turn ignition switch OFF.
- Disconnect ECM harness connector.
- Check harness continuity between fuel injector terminal 2 and ECM terminals 21, 22, 23, 40, 41, 42. Refer to Wiring Diagram.

**Continuity should exist.**

- Also check harness for short to ground and short to power.

### OK or NG



# FUEL INJECTOR

[VQ40DE]

## < COMPONENT DIAGNOSIS >

- OK >> GO TO 11.
- NG >> GO TO 10.

### 10. DETECT MALFUNCTIONING PART

Check the following.

- Harness connectors F201, F44
- Harness for open or short between fuel injector and ECM

>> Repair open circuit or short to ground or short to power in harness or connectors.

### 11. CHECK FUEL INJECTOR

Refer to [EC-397, "Component Inspection"](#).

OK or NG

- OK >> GO TO 12.
- NG >> Replace fuel injector.

### 12. CHECK INTERMITTENT INCIDENT

Refer to [GI-49, "Intermittent Incident"](#).

>> **INSPECTION END**

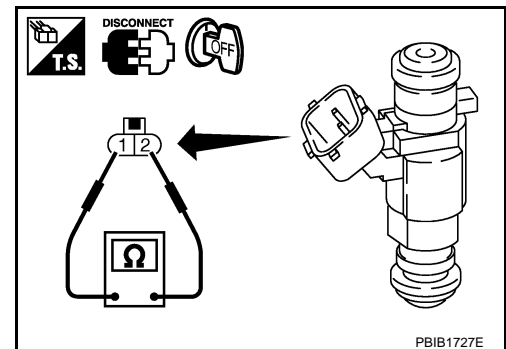
## Component Inspection

INFOID:000000004297640

### FUEL INJECTOR

1. Disconnect injector harness connector.
2. Check resistance between terminals as shown in the figure.

**Resistance: 11.1 - 14.5  $\Omega$  [at 10 - 60°C (50 - 140°F)]**



# FUEL PUMP

< COMPONENT DIAGNOSIS >

[VQ40DE]

## FUEL PUMP

### Description

INFOID:000000004297641

### SYSTEM DESCRIPTION

Sensor	Input Signal to ECM	ECM Function	Actuator
Crankshaft position sensor (POS) Camshaft position sensor (PHASE)	Engine speed*	Fuel pump control	Fuel pump relay
Battery	Battery voltage*		

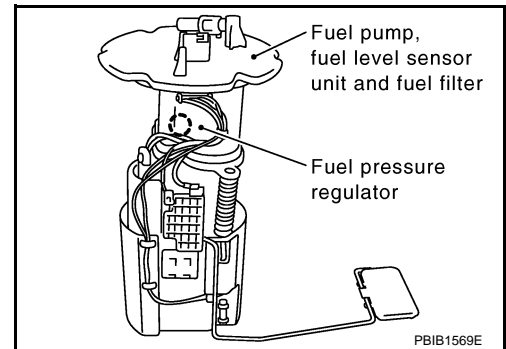
\*: ECM determines the start signal status by the signals of engine speed and battery voltage.

The ECM activates the fuel pump for several seconds after the ignition switch is turned ON to improve engine start ability. If the ECM receives a engine speed signal from the camshaft position sensor (PHASE), it knows that the engine is rotating, and causes the pump to operate. If the engine speed signal is not received when the ignition switch is ON, the engine stalls. The ECM stops pump operation and prevents battery discharging, thereby improving safety. The ECM does not directly drive the fuel pump. It controls the ON/OFF fuel pump relay, which in turn controls the fuel pump.

Condition	Fuel pump operation
Ignition switch is turned to ON.	Operates for 1 second.
Engine running and cranking	Operates.
When engine is stopped	Stops in 1.5 seconds.
Except as shown above	Stops.

### COMPONENT DESCRIPTION

A turbine type design fuel pump is used in the fuel tank.



### Diagnosis Procedure

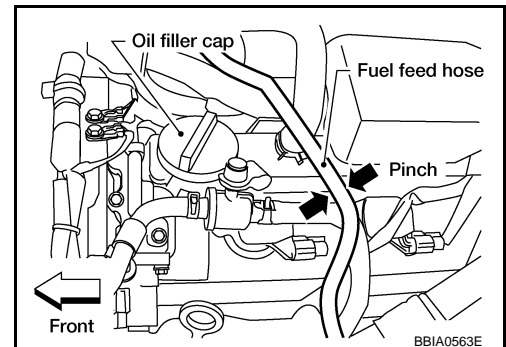
INFOID:000000004297642

#### 1. CHECK OVERALL FUNCTION

1. Turn ignition switch ON.
2. Pinch fuel feed hose with two fingers.  
**Fuel pressure pulsation should be felt on the fuel feed hose for 1 second after ignition switch is turned ON.**

#### OK or NG

- OK >> **INSPECTION END**  
NG >> GO TO 2.



#### 2. CHECK FUEL PUMP POWER SUPPLY CIRCUIT-I

1. Turn ignition switch OFF.
2. Disconnect ECM harness connector.
3. Turn ignition switch ON.

# FUEL PUMP

[VQ40DE]

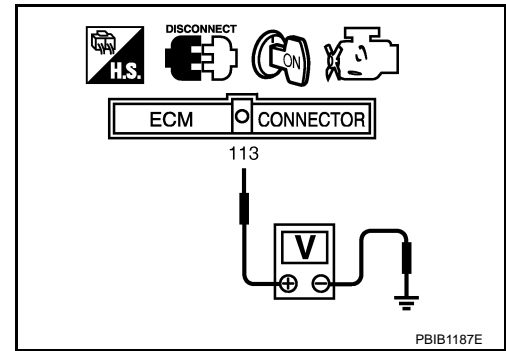
## < COMPONENT DIAGNOSIS >

4. Check voltage between ECM terminal 113 and ground with CONSULT-III or tester.

**Voltage: Battery voltage**

### OK or NG

- OK >> GO TO 5.
- NG >> GO TO 3.



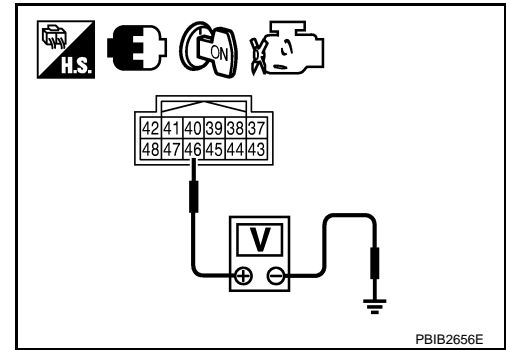
## 3.CHECK FUEL PUMP POWER SUPPLY CIRCUIT-II

- Check voltage between IPDM E/R terminal 46 and ground with CONSULT-III or tester.

**Voltage: Battery voltage**

### OK or NG

- OK >> GO TO 4.
- NG >> GO TO 12.



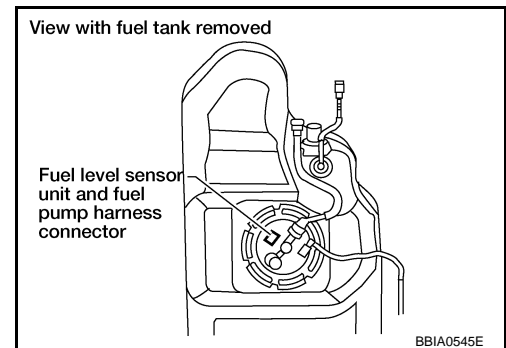
## 4.DETECT MALFUNCTIONING PART

- Check harness for open or short between IPDM E/R and ECM

>> Repair harness or connectors.

## 5.CHECK FUEL PUMP POWER SUPPLY CIRCUIT-III

1. Turn ignition switch OFF.
2. Reconnect all harness connectors disconnected.
3. Disconnect "fuel level sensor unit and fuel pump" harness connector.
4. Turn ignition switch ON.



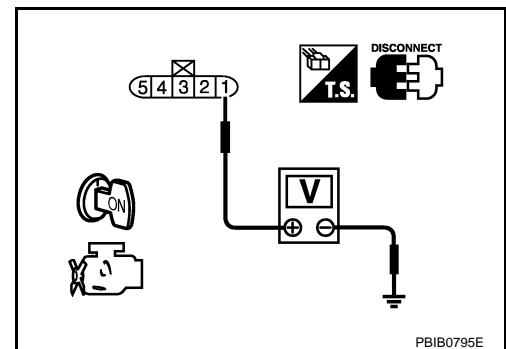
5. Check voltage between "fuel level sensor unit and fuel pump" terminal 1 and ground with CONSULT-III or tester.

**Voltage: Battery voltage should exist for 1 second after ignition switch is turned ON.**

6. Also check harness for short to ground and short to power.

### OK or NG

- OK >> GO TO 9.
- NG >> GO TO 6.



## 6.CHECK 15A FUSE

1. Turn ignition switch OFF.

# FUEL PUMP

[VQ40DE]

## < COMPONENT DIAGNOSIS >

2. Disconnect 15A fuse.
3. Check 15 A fuse (No.48).

### OK or NG

- OK >> GO TO 7.  
NG >> Replace fuse.

## 7.CHECK FUEL PUMP POWER SUPPLY CURCUIT-IV

1. Disconnect IPDM E/R harness connector E119.
2. Check harness continuity between “fuel level sensor unit and fuel pump” terminal 1 and IPDM E/R terminal 13.  
Refer to Wiring Diagram.

**Continuity should exist.**

3. Also check harness for short to ground and short to power.

### OK or NG

- OK >> GO TO 12.  
NG >> GO TO 8.

## 8.DETECT MALFUNCTIONING PART

Check the following.

- Harness connectors C1, E41
- Harness for open or short between “fuel level sensor unit and fuel pump” and IPDM E/R

>> Repair open circuit or short to ground or short to power in harness or connectors.

## 9.CHECK FUEL PUMP GROUND CIRCUIT FOR OPEN AND SHORT

1. Check harness continuity between “fuel level sensor unit and fuel pump” terminal 3 and ground.  
Refer to Wiring Diagram.

**Continuity should exist.**

2. Also check harness for short to ground.

### OK or NG

- OK >> GO TO 11.  
NG >> GO TO 10.

## 10.DETECT MALFUNCTIONING PART

Check the following.

- Harness connectors C1, E41
- Harness for open or short between “fuel level sensor unit and fuel pump” and ground

>> Repair open circuit or short to power in harness or connectors.

## 11.CHECK FUEL PUMP

Refer to [EC-401, "Component Inspection"](#).

### OK or NG

- OK >> GO TO 12.  
NG >> Replace fuel pump.

## 12.CHECK INTERMITTENT INCIDENT

Refer to [GI-49, "Intermittent Incident"](#).

### OK or NG

- OK >> Replace IPDM E/R.  
NG >> Repair or replace harness or connectors.

# FUEL PUMP

< COMPONENT DIAGNOSIS >

[VQ40DE]

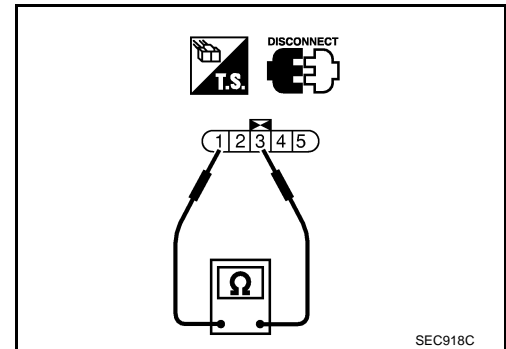
## Component Inspection

INFOID:000000004297643

### FUEL PUMP

1. Disconnect "fuel level sensor unit and fuel pump" harness connector.
2. Check resistance between "fuel level sensor unit and fuel pump" terminals 1 and 3.

**Resistance: Approximately 0.2 - 5.0Ω [at 25°C (77°F)]**



A

EC

C

D

E

F

G

H

I

J

K

L

M

N

O

P

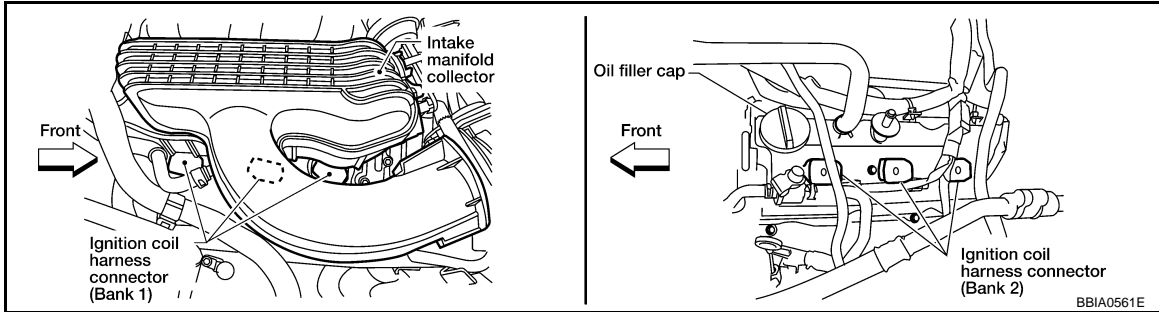
## IGNITION SIGNAL

### Component Description

INFOID:000000004297644

#### IGNITION COIL & POWER TRANSISTOR

The ignition signal from the ECM is sent to and amplified by the power transistor. The power transistor turns ON and OFF the ignition coil primary circuit. This ON/OFF operation induces the proper high voltage in the coil secondary circuit.



### Diagnosis Procedure

INFOID:000000004297645

#### 1. CHECK ENGINE START

Turn ignition switch OFF, and restart engine.

##### Is engine running?

Yes or No

- Yes (With CONSULT-III) >> GO TO 2.
- Yes (Without CONSULT-III) >> GO TO 3.
- No >> GO TO 4.

#### 2. CHECK OVERALL FUNCTION

##### With CONSULT-III

1. Perform "POWER BALANCE" in "ACTIVE TEST" mode with CONSULT-III.
2. Make sure that each circuit produces a momentary engine speed drop.

OK or NG

- OK >> **INSPECTION END**
- NG >> GO TO 10.

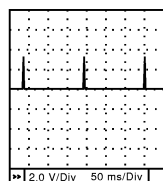
#### 3. CHECK OVERALL FUNCTION

##### Without CONSULT-III

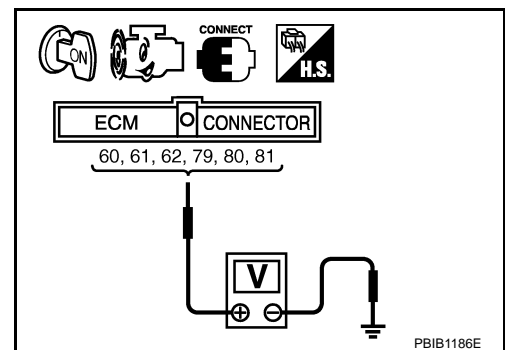
1. Let engine idle.
2. Read the voltage signal between ECM terminals 60, 61, 62, 79, 80, 81 and ground with an oscilloscope.
3. Verify that the oscilloscope screen shows the signal wave as shown below.

##### NOTE:

The pulse cycle changes depending on rpm at idle.



SEC986C



OK or NG

- OK >> **INSPECTION END**
- NG >> GO TO 10.

#### 4. CHECK IGNITION COIL POWER SUPPLY CIRCUIT-I

# IGNITION SIGNAL

[VQ40DE]

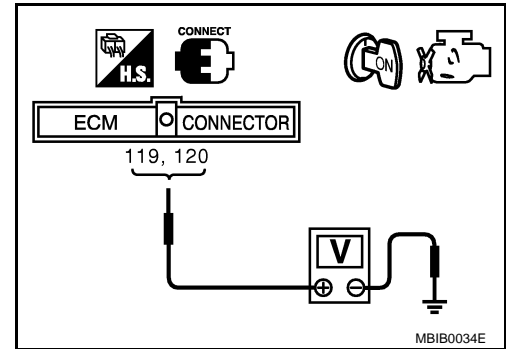
## < COMPONENT DIAGNOSIS >

1. Turn ignition switch OFF, wait at least 10 seconds and then turn it ON.
2. Check voltage between ECM terminals 119, 120 and ground with CONSULT-III or tester.

**Voltage: Battery voltage**

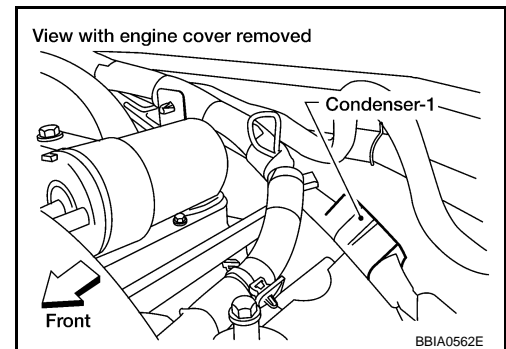
### OK or NG

- OK >> GO TO 5.  
NG >> Go to [EC-92. "Diagnosis Procedure"](#).



## 5. CHECK IGNITION COIL POWER SUPPLY CIRCUIT-II

1. Turn ignition switch OFF.
2. Disconnect condenser-1 harness connector.
3. Turn ignition switch ON.

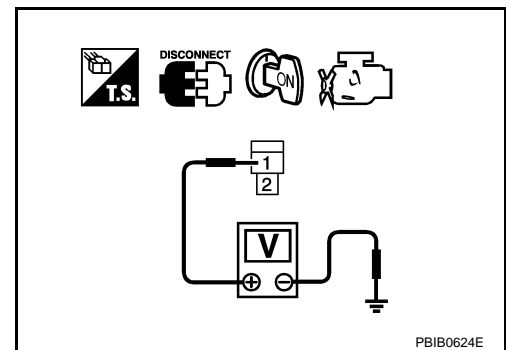


4. Check voltage between condenser-1 terminal 1 and ground with CONSULT-III or tester.

**Voltage: Battery voltage**

### OK or NG

- OK >> GO TO 8.  
NG >> GO TO 6.



## 6. CHECK IGNITION COIL POWER SUPPLY CIRCUIT-III

1. Turn ignition switch OFF.
2. Disconnect IPDM E/R harness connector E119.
3. Check harness continuity between IPDM E/R terminal 3 and condenser-1 terminal 1. Refer to Wiring Diagram.

**Continuity should exist.**

4. Also check harness for short to ground and short to power.

### OK or NG

- OK >> GO TO 17.  
NG >> GO TO 7.

## 7. DETECT MALFUNCTIONING PART

Check the following.

- Harness connectors E2, F32
- Harness for open or short between condenser-1 and IPDM E/R

>> Repair open circuit or short to ground or short to power in harness or connectors.

# IGNITION SIGNAL

[VQ40DE]

< COMPONENT DIAGNOSIS >

## 8. CHECK CONDENSER-1 GROUND CIRCUIT FOR OPEN AND SHORT

1. Turn ignition switch OFF.
2. Check harness continuity between condenser-1 terminal 2 and ground.  
Refer to Wiring Diagram.

**Continuity should exist.**

3. Also check harness for short to power.

OK or NG

OK >> GO TO 9.

NG >> Repair open circuit or short to power in harness or connectors.

## 9. CHECK CONDENSER-1

Refer to [EC-405. "Component Inspection"](#).

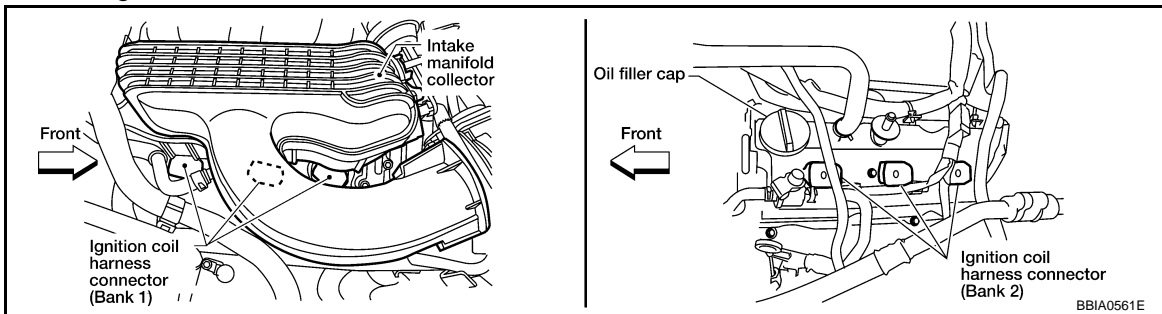
OK or NG

OK >> GO TO 10.

NG >> Replace condenser-1.

## 10. CHECK IGNITION COIL POWER SUPPLY CIRCUIT-V

1. Turn ignition switch OFF.
2. Reconnect all harness connectors disconnected.
3. Disconnect ignition coil harness connector.



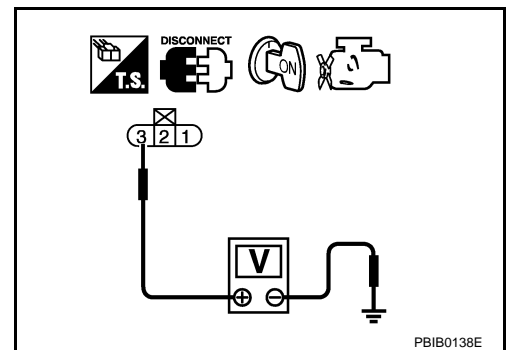
4. Turn ignition switch ON.
5. Check voltage between ignition coil terminal 3 and ground with CONSULT-III or tester.

**Voltage: Battery voltage**

OK or NG

OK >> GO TO 12.

NG >> GO TO 11.



## 11. DETECT MALFUNCTIONING PART

Check the following.

- Harness connectors F26, F225
- Harness for open or short between ignition coil and harness connector F32

>> Repair or replace harness or connectors.

## 12. CHECK IGNITION COIL GROUND CIRCUIT FOR OPEN AND SHORT

1. Turn ignition switch OFF.
2. Check harness continuity between ignition coil terminal 2 and ground.  
Refer to Wiring Diagram.

**Continuity should exist.**



# IGNITION SIGNAL

[VQ40DE]

## < COMPONENT DIAGNOSIS >

3. Also check harness for short to power.

### OK or NG

- OK >> GO TO 14.
- NG >> GO TO 13.

## 13.DETECT MALFUNCTIONING PART

Check the following.

- Harness connectors F225, F26
- Harness for open or short between ignition coil and ground

>> Repair open circuit or short to power in harness or connectors.

## 14.CHECK IGNITION COIL OUTPUT SIGNAL CIRCUIT FOR OPEN AND SHORT

1. Disconnect ECM harness connector.
2. Check harness continuity between ECM terminals 60, 61, 62, 79, 80, 81 and ignition coil terminal 1. Refer to Wiring Diagram.

**Continuity should exist.**

3. Also check harness for short to ground and short to power.

### OK or NG

- OK >> GO TO 16.
- NG >> GO TO 15.

## 15.DETECT MALFUNCTIONING PART

Check the following.

- Harness connectors F26, F225
- Harness for open or short between ignition coil and ECM

>> Repair open circuit or short to ground or short to power in harness or connectors.

## 16.CHECK IGNITION COIL WITH POWER TRANSISTOR

Refer to [EC-405. "Component Inspection"](#).

### OK or NG

- OK >> GO TO 17.
- NG >> Replace malfunctioning ignition coil with power transistor.

## 17.CHECK INTERMITTENT INCIDENT

Refer to [GI-49. "Intermittent Incident"](#).

>> **INSPECTION END**

## Component Inspection

INFOID:000000004297646

### IGNITION COIL WITH POWER TRANSISTOR

#### **CAUTION:**

**Do the following procedure in the place where ventilation is good without the combustible.**

1. Turn ignition switch OFF.
2. Disconnect ignition coil harness connector.

# IGNITION SIGNAL

[VQ40DE]

## < COMPONENT DIAGNOSIS >

3. Check resistance between ignition coil terminals as follows.

Terminal No. (Polarity)	Resistance $\Omega$ [at 25°C (77°F)]
1 and 2	Except 0 or $\infty$
1 and 3	Except 0
2 and 3	

4. If NG, Replace ignition coil with power transistor.  
If OK, go to next step.
5. Turn ignition switch OFF.
6. Reconnect all harness connectors disconnected.
7. Remove fuel pump fuse (No.48) in IPDM E/R to release fuel pressure.

**NOTE:**

Do not use CONSULT-III to release fuel pressure, or fuel pressure applies again during the following procedure.

8. Start engine.
9. After engine stalls, crank it two or three times to release all fuel pressure.
10. Turn ignition switch OFF.
11. Remove ignition coil harness connectors to avoid the electrical discharge from the ignition coils.
12. Remove ignition coil and spark plug of the cylinder to be checked.
13. Crank engine for five seconds or more to remove combustion gas in the cylinder.
14. Connect spark plug and harness connector to ignition coil.
15. Fix ignition coil using a rope etc. with gap of 13 - 17 mm (0.52 - 0.66 in) between the edge of the spark plug and grounded metal portion as shown in the figure.
16. Crank engine for about three seconds, and check whether spark is generated between the spark plug and the grounded part.

**Spark should be generated.**

**CAUTION:**

- Never place to the spark plug and the ignition coil within 50cm (19.7 in) each other. Be careful not to get an electrical shock while checking, because the electrical discharge voltage becomes 20 kV or more.
- It might cause to damage the ignition coil if the gap of more than 17 mm (0.66 in) is made.

**NOTE:**

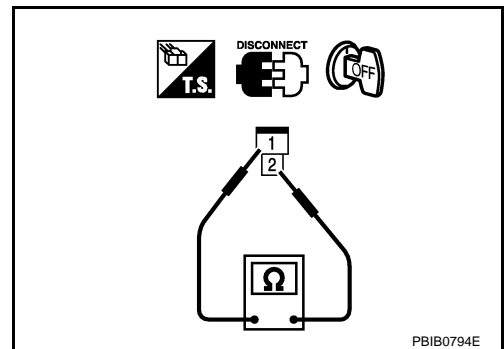
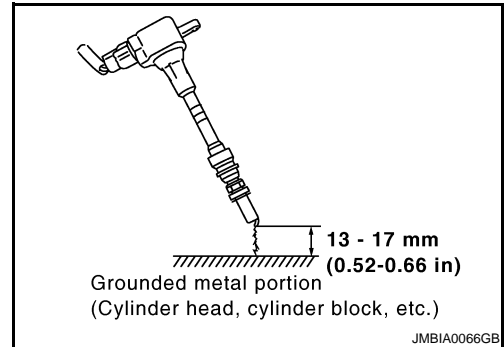
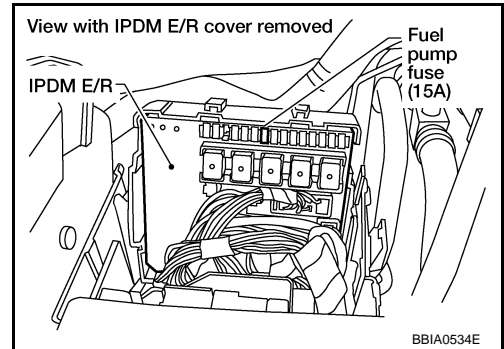
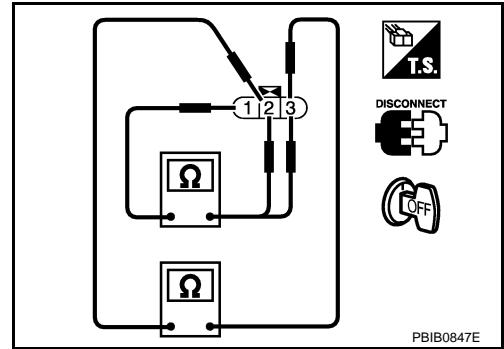
When the gap is less than 13 mm (0.52 in), the spark might be generated even if the coil is malfunctioning.

17. If NG, Replace ignition coil with power transistor.

### CONDENSER-1

1. Turn ignition switch OFF.
2. Disconnect condenser-1 harness connector.
3. Check resistance between condenser-1 terminals 1 and 2.

Resistance	Above 1 M $\Omega$ at 25°C (77°F)



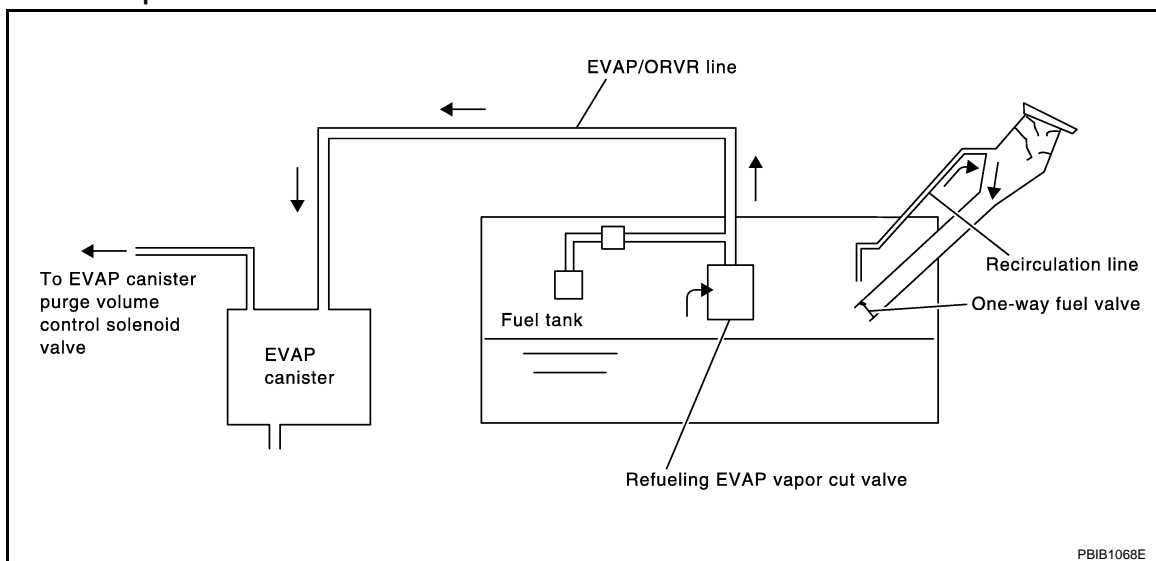
# ON BOARD REFUELING VAPOR RECOVERY (ORVR)

< COMPONENT DIAGNOSIS >

[VQ40DE]

## ON BOARD REFUELING VAPOR RECOVERY (ORVR)

### System Description



From the beginning of refueling, the air and vapor inside the fuel tank go through refueling EVAP vapor cut valve and EVAP/ORVR line to the EVAP canister. The vapor is absorbed by the EVAP canister and the air is released to the atmosphere.

When the refueling has reached the full level of the fuel tank, the refueling EVAP vapor cut valve is closed and refueling is stopped because of auto shut-off. The vapor which was absorbed by the EVAP canister is purged during driving.

#### **WARNING:**

When conducting inspections below, Always observe the following:

- Put a “CAUTION: FLAMMABLE” sign in workshop.
- Never smoke while servicing fuel system. Keep open flames and sparks away from work area.
- Always furnish the workshop with a CO<sub>2</sub> fire extinguisher.

#### **CAUTION:**

- Before removing fuel line parts, carry out the following procedures:
  - Put drained fuel in an explosion-proof container and put lid on securely.
  - Release fuel pressure from fuel line. Refer to [EC-484, "Fuel Pressure Check"](#).
  - Disconnect battery negative cable.
- Always replace O-ring when the fuel gauge retainer is removed.
- Never kink or twist hose and tube when they are installed.
- Never tighten hose and clamps excessively to avoid damaging hoses.
- After installation, run engine and check for fuel leaks at connections.
- Never attempt to top off the fuel tank after the fuel pump nozzle shuts off automatically. Continued refueling may cause fuel overflow, resulting in fuel spray and possibly a fire.

### Diagnosis Procedure

INFOID:000000004297648

SYMPTOM: FUEL ODOR FROM EVAP CANISTER IS STRONG.

#### 1. CHECK EVAP CANISTER

1. Remove EVAP canister with EVAP canister vent control valve and EVAP control system pressure sensor attached.
2. Weigh the EVAP canister with EVAP canister vent control valve and EVAP control system pressure sensor attached.

The weight should be less than 2.0 kg (4.4 lb).

#### OK or NG

- OK >> GO TO 2.
- NG >> GO TO 3.

# ON BOARD REFUELING VAPOR RECOVERY (ORVR)

< COMPONENT DIAGNOSIS >

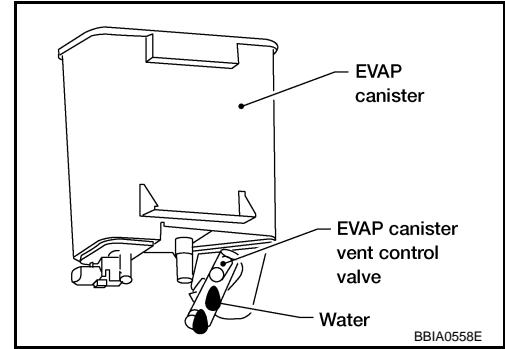
[VQ40DE]

## 2.CHECK IF EVAP CANISTER IS SATURATED WITH WATER

Does water drain from the EVAP canister?

Yes or No

- Yes >> GO TO 3.
- No >> GO TO 6.



## 3.REPLACE EVAP CANISTER

Replace EVAP canister with a new one.

>> GO TO 4.

## 4.CHECK DRAIN FILTER

Refer to [EC-410. "Component Inspection"](#).

OK or NG

- OK >> GO TO 5.
- NG >> Replace drain filter.

## 5.DETECT MALFUNCTIONING PART

Check the EVAP hose between EVAP canister and vehicle frame for clogging or poor connection.

>> Repair or replace EVAP hose.

## 6.CHECK REFUELING EVAP VAPOR CUT VALVE

Refer to [EC-410. "Component Inspection"](#).

OK or NG

- OK >> **INSPECTION END**
- NG >> Replace refueling EVAP vapor cut valve with fuel tank.

**SYMPTOM: CANNOT REFUEL/FUEL ODOR FROM THE FUEL FILLER OPENING IS STRONG WHILE REFUELING.**

## 1.CHECK EVAP CANISTER

1. Remove EVAP canister with EVAP canister vent control valve and EVAP control system pressure sensor attached.
2. Weigh the EVAP canister with EVAP canister vent control valve and EVAP control system pressure sensor attached.  
The weight should be less than 2.0 kg (4.4 lb).

OK or NG

- OK >> GO TO 2.
- NG >> GO TO 3.

## 2.CHECK IF EVAP CANISTER IS SATURATED WITH WATER

# ON BOARD REFUELING VAPOR RECOVERY (ORVR)

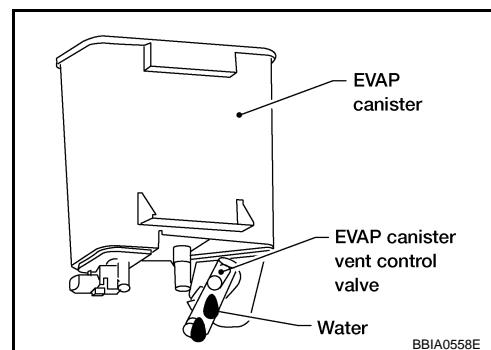
[VQ40DE]

## < COMPONENT DIAGNOSIS >

Does water drain from the EVAP canister?

### Yes or No

- Yes >> GO TO 3.
- No >> GO TO 6.



## 3. REPLACE EVAP CANISTER

Replace EVAP canister with a new one.

>> GO TO 4.

## 4. CHECK DRAIN FILTER

Refer to [EC-410, "Component Inspection"](#).

### OK or NG

- OK >> GO TO 5.
- NG >> Replace drain filter.

## 5. DETECT MALFUNCTIONING PART

Check the EVAP hose between EVAP canister and vehicle frame for clogging or poor connection.

>> Repair or replace EVAP hose.

## 6. CHECK VENT HOSES AND VENT TUBES

Check hoses and tubes between EVAP canister and refueling control valve for clogging, kinks, looseness and improper connection.

### OK or NG

- OK >> GO TO 7.
- NG >> Repair or replace hoses and tubes.

## 7. CHECK FILLER NECK TUBE

Check recirculation line for clogging, dents and cracks.

### OK or NG

- OK >> GO TO 8.
- NG >> Replace filler neck tube.

## 8. CHECK REFUELING EVAP VAPOR CUT VALVE

Refer to [EC-410, "Component Inspection"](#).

### OK or NG

- OK >> GO TO 9.
- NG >> Replace refueling EVAP vapor cut valve with fuel tank.

## 9. CHECK FUEL FILLER TUBE

Check filler neck tube and hose connected to the fuel tank for clogging, dents and cracks.

### OK or NG

- OK >> GO TO 10.
- NG >> Replace fuel filler tube.

## 10. CHECK ONE-WAY FUEL VALVE-I

Check one-way valve for clogging.

### OK or NG

- OK >> GO TO 11.

# ON BOARD REFUELING VAPOR RECOVERY (ORVR)

[VQ40DE]

## < COMPONENT DIAGNOSIS >

NG >> Repair or replace one-way fuel valve with fuel tank.

### 11. CHECK ONE-WAY FUEL VALVE-II

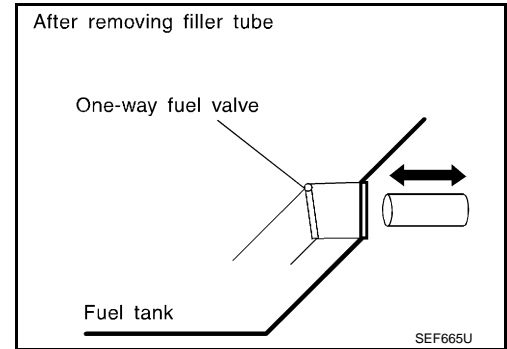
1. Make sure that fuel is drained from the tank.
2. Remove fuel filler tube and hose.
3. Check one-way fuel valve for operation as follows.  
When a stick is inserted, the valve should open, when removing stick it should close.

**Do not drop any material into the tank.**

OK or NG

OK >> **INSPECTION END**

NG >> Replace fuel filler tube or replace one-way fuel valve with fuel tank.



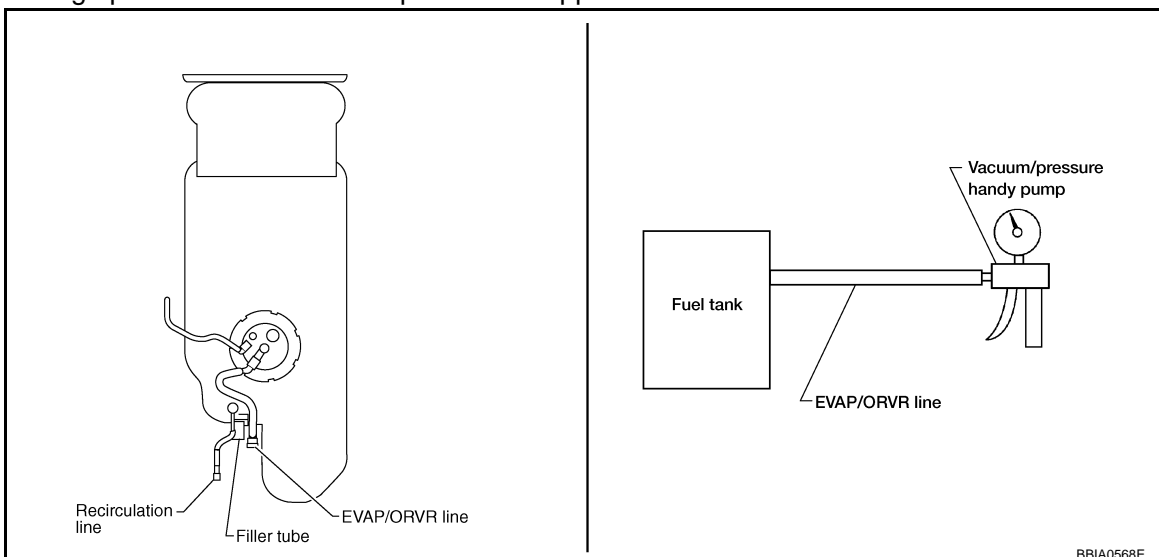
INFOID:000000004297649

## Component Inspection

### REFUELING EVAP VAPOR CUT VALVE

Ⓟ With CONSULT-III

1. Remove fuel tank. Refer to [FL-6. "Removal and Installation"](#).
2. Drain fuel from the tank as follows:
  - a. Remove fuel feed hose located on the fuel gauge retainer.
  - b. Connect a spare fuel hose, one side to fuel gauge retainer where the hose was removed and the other side to a fuel container.
  - c. Drain fuel using "FUEL PUMP RELAY" in "ACTIVE TEST" mode with CONSULT-III.
3. Check refueling EVAP vapor cut valve for being stuck to close as follows.  
Blow air into the refueling EVAP vapor cut valve (from the end of EVAP/ORVR line hose), and check that the air flows freely into the tank.
4. Check refueling EVAP vapor cut valve for being stuck to open as follows.
  - a. Connect vacuum pump to hose end.
  - b. Remove fuel gauge retainer with fuel gauge unit.  
**Always replace O-ring with new one.**
  - c. Turn fuel tank upside down.
  - d. Apply vacuum pressure to hose end [-13.3 kPa (-100 mmHg, -3.94 inHg)] with fuel gauge retainer remaining open and check that the pressure is applicable.



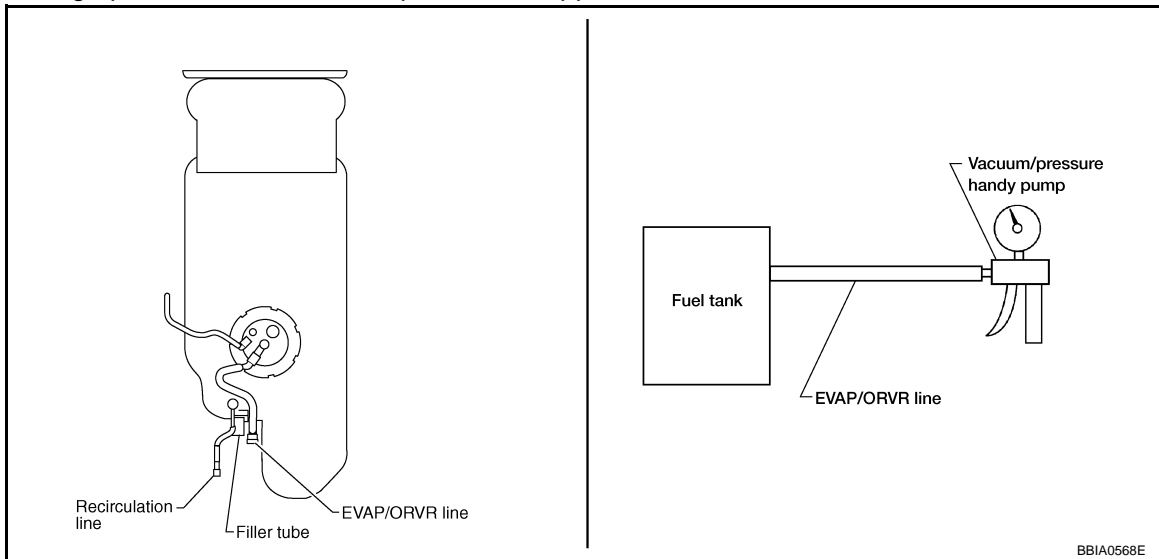
ⓧ Without CONSULT-III

# ON BOARD REFUELING VAPOR RECOVERY (ORVR)

[VQ40DE]

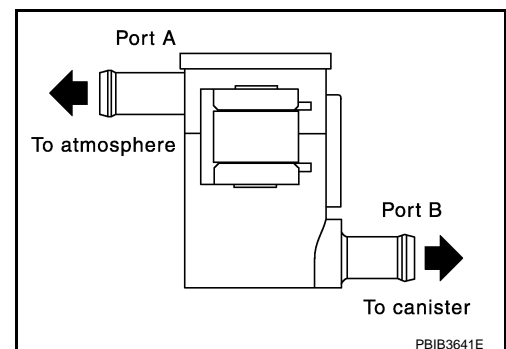
## < COMPONENT DIAGNOSIS >

1. Remove fuel tank. Refer to [FL-6. "Removal and Installation"](#).
2. Drain fuel from the tank as follows:
  - a. Remove fuel gauge retainer.
  - b. Drain fuel from the tank using a handy pump into a fuel container.
3. Check refueling EVAP vapor cut valve for being stuck to close as follows.  
Blow air into the refueling EVAP vapor cut valve (from the end of EVAP/ORVR line hose), and check that the air flows freely into the tank.
4. Check refueling EVAP vapor cut valve for being stuck to open as follows.
  - a. Connect vacuum pump to hose end.
  - b. Remove fuel gauge retainer with fuel gauge unit.  
**Always replace O-ring with new one.**
  - c. Turn fuel tank upside down.
  - d. Apply vacuum pressure to hose end [-13.3 kPa (-100 mmHg, -3.94 inHg)] with fuel gauge retainer remaining open and check that the pressure is applicable.



## DRAIN FILTER

1. Check visually for insect nests in the drain filter air inlet.
2. Check visually for cracks or flaws in the appearance.
3. Check visually for cracks or flaws in the hose.
4. Blow air into port A and check that it flows freely out of port B.
5. Block port B.
6. Blow air into port A and check that there is no leakage.
7. If NG, replace drain filter.



# POSITIVE CRANKCASE VENTILATION

< COMPONENT DIAGNOSIS >

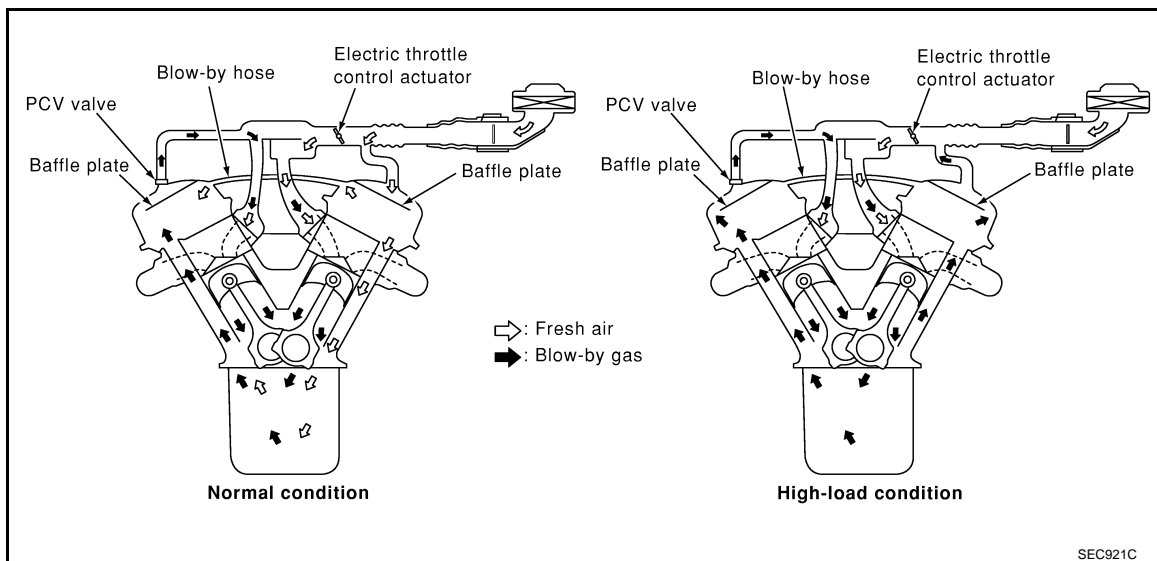
[VQ40DE]

## POSITIVE CRANKCASE VENTILATION

### Description

INFOID:000000004297650

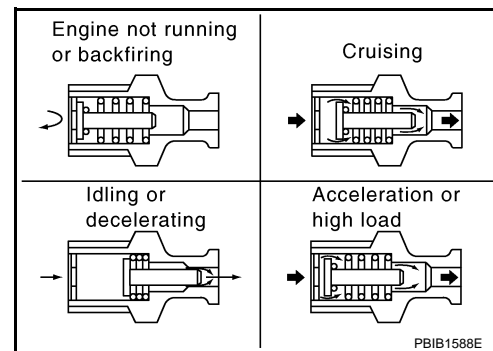
### SYSTEM DESCRIPTION



This system returns blow-by gas to the intake manifold.

The positive crankcase ventilation (PCV) valve is provided to conduct crankcase blow-by gas to the intake manifold. During partial throttle operation of the engine, the intake manifold sucks the blow-by gas through the PCV valve. Normally, the capacity of the valve is sufficient to handle any blow-by and a small amount of ventilating air. The ventilating air is then drawn from the air inlet tubes into the crankcase. In this process the air passes through the hose connecting air inlet tubes to rocker cover. Under full-throttle condition, the manifold vacuum is insufficient to draw the blow-by flow through the valve. The flow goes through the hose connection in the reverse direction.

On vehicles with an excessively high blow-by, the valve does not meet the requirement. This is because some of the flow will go through the hose connection to the air inlet tubes under all conditions.

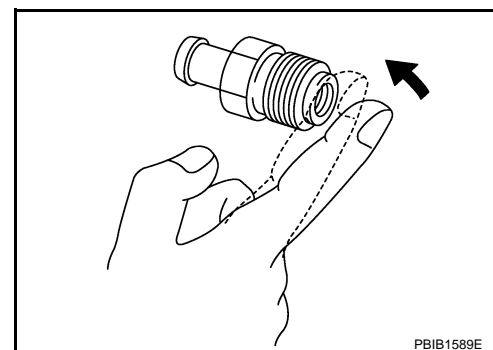


### Component Inspection

INFOID:000000004297651

#### PCV (POSITIVE CRANKCASE VENTILATION) VALVE

With engine running at idle, remove PCV valve from rocker cover. A properly working valve makes a hissing noise as air passes through it. A strong vacuum should be felt immediately when a finger is placed over valve inlet.





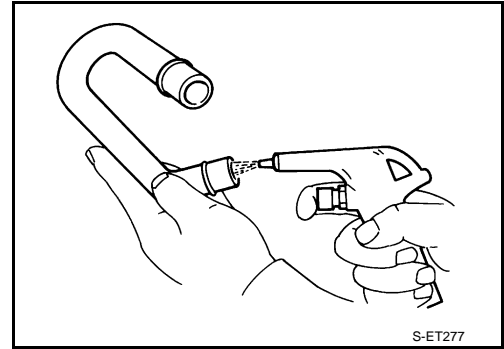
# POSITIVE CRANKCASE VENTILATION

< COMPONENT DIAGNOSIS >

[VQ40DE]

## PCV VALVE VENTILATION HOSE

1. Check hoses and hose connections for leaks.
2. Disconnect all hoses and clean with compressed air. If any hose cannot be freed of obstructions, replace.



A

EC

C

D

E

F

G

H

I

J

K

L

M

N

O

P

# REFRIGERANT PRESSURE SENSOR

< COMPONENT DIAGNOSIS >

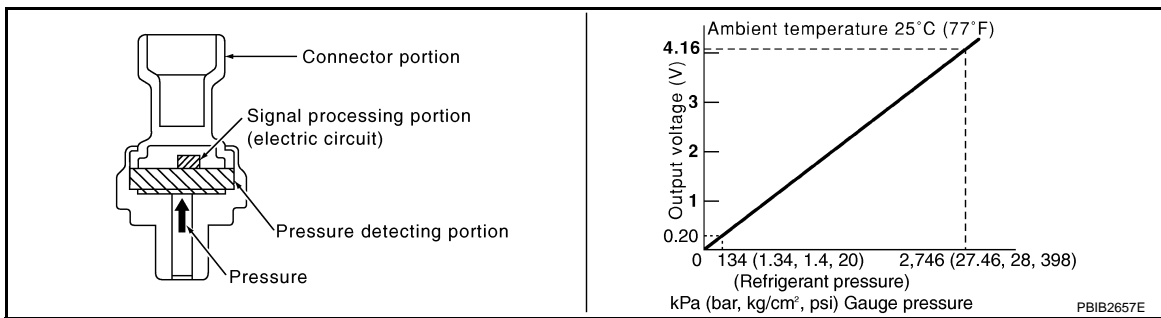
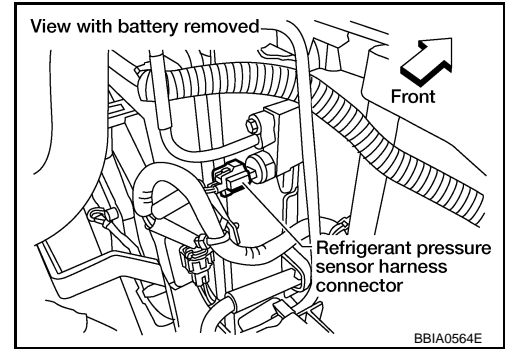
[VQ40DE]

## REFRIGERANT PRESSURE SENSOR

### Component Description

INFOID:000000004297652

The refrigerant pressure sensor is installed at the condenser of the air conditioner system. The sensor uses an electrostatic volume pressure transducer to convert refrigerant pressure to voltage. The voltage signal is sent to ECM, and ECM controls cooling fan system.



### Diagnosis Procedure

INFOID:000000004297653

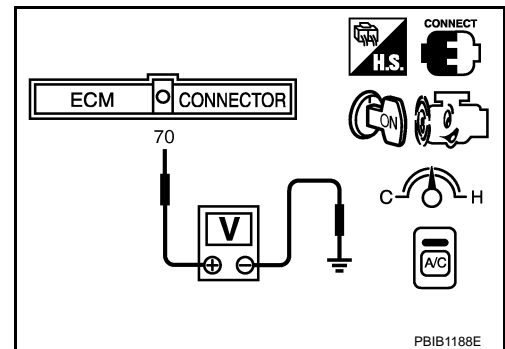
#### 1. CHECK REFRIGERANT PRESSURE SENSOR OVERALL FUNCTION

1. Start engine and warm it up to normal operating temperature.
2. Turn A/C switch and blower switch ON.
3. Check voltage between ECM terminal 70 and ground with CONSULT-III or tester.

**Voltage: 1.0 - 4.0V**

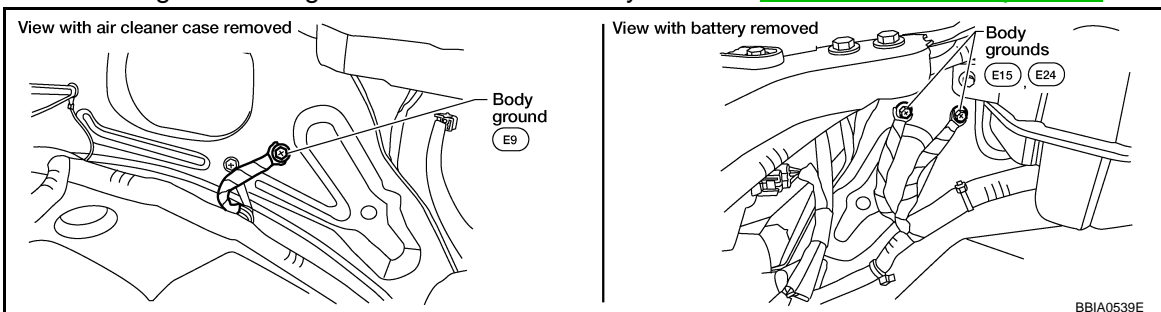
OK or NG

- OK >> **INSPECTION END**  
 NG >> GO TO 2.



#### 2. CHECK GROUND CONNECTIONS

1. Turn A/C switch and blower switch OFF.
2. Turn ignition switch OFF.
3. Loosen and retighten three ground screws on the body. Refer to [EC-95, "Ground Inspection"](#).



# REFRIGERANT PRESSURE SENSOR

[VQ40DE]

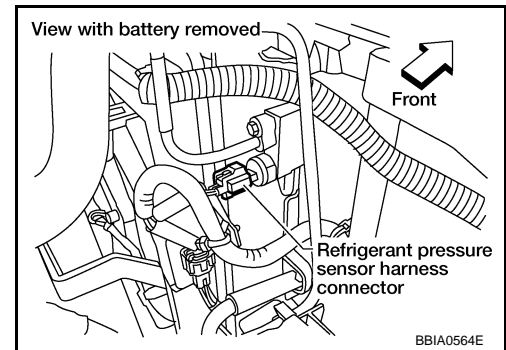
## < COMPONENT DIAGNOSIS >

### OK or NG

- OK >> GO TO 3.
- NG >> Repair or replace ground connections.

## 3.CHECK REFRIGERANT PRESSURE SENSOR POWER SUPPLY CIRCUIT

1. Disconnect refrigerant pressure sensor harness connector.
2. Turn ignition switch ON.

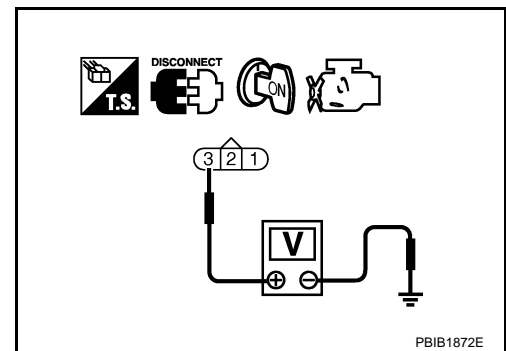


3. Check voltage between refrigerant pressure sensor terminal 3 and ground with CONSULT-III or tester.

**Voltage: Approximately 5V**

### OK or NG

- OK >> GO TO 5.
- NG >> GO TO 4.



## 4.DETECT MALFUNCTIONING PART

Check the following.

- Harness connectors E5, F14
- Harness for open or short between ECM and refrigerant pressure sensor

>> Repair harness or connectors.

## 5.CHECK REFRIGERANT PRESSURE SENSOR GROUND CIRCUIT FOR OPEN AND SHORT

1. Turn ignition switch OFF.
2. Disconnect ECM harness connector.
3. Check harness continuity between refrigerant pressure sensor terminal 1 and ECM terminal 67. Refer to Wiring Diagram.

**Continuity should exist.**

4. Also check harness for short to ground and short to power.

### OK or NG

- OK >> GO TO 7.
- NG >> GO TO 6.

## 6.DETECT MALFUNCTIONING PART

Check the following.

- Harness connectors E5, F14
- Harness for open or short between ECM and refrigerant pressure sensor

>> Repair open circuit or short to ground or short to power in harness or connectors.

## 7.CHECK REFRIGERANT PRESSURE SENSOR INPUT SIGNAL CIRCUIT FOR OPEN AND SHORT

1. Check harness continuity between ECM terminal 70 and refrigerant pressure sensor terminal 2. Refer to Wiring Diagram.

# REFRIGERANT PRESSURE SENSOR

< COMPONENT DIAGNOSIS >

[VQ40DE]

**Continuity should exist.**

2. Also check harness for short to ground and short to power.

OK or NG

OK >> GO TO 9.

NG >> GO TO 8.

## 8. DETECT MALFUNCTIONING PART

---

Check the following.

- Harness connectors E5, F14
- Harness for open or short between ECM and refrigerant pressure sensor

>> Repair open circuit or short to ground or short to power in harness or connectors.

## 9. CHECK INTERMITTENT INCIDENT

---

Refer to [GI-49. "Intermittent Incident"](#).

OK or NG

OK >> Replace refrigerant pressure sensor.

NG >> Repair or replace.

VIAS

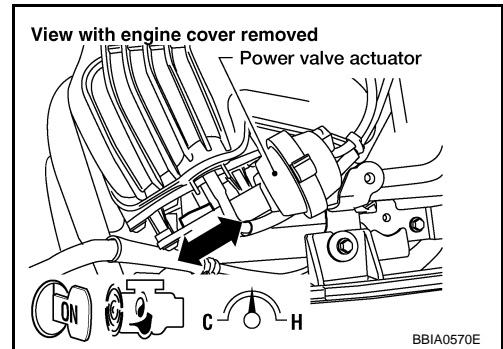
Diagnosis Procedure

INFOID:000000004297654

1. CHECK OVERALL FUNCTION

 With CONSULT-III

1. Start engine and warm it up to normal operating temperature.
2. Perform "VIAS SOL VALVE" in "ACTIVE TEST" mode with CONSULT-III.
3. Turn VIAS control solenoid valve "ON" and "OFF", and make sure that power valve actuator rod moves.

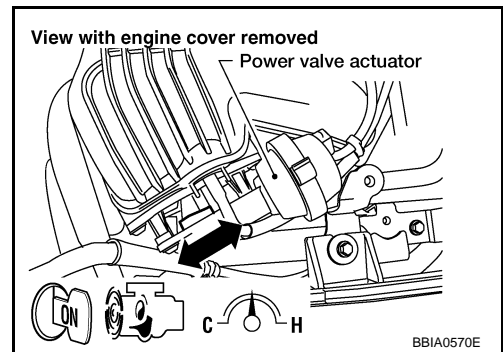


 Without CONSULT-III

1. Start engine and warm it up to normal operating temperature.
2. Rev engine up to between 2,200 and 3,300 rpm and make sure that power valve actuator rod moves.

OK or NG

- OK >> **INSPECTION END**
- NG (With CONSULT-III) >> GO TO 2.
- NG (Without CONSULT-III) >> GO TO 3.



2. CHECK VACUUM EXISTENCE

 With CONSULT-III

1. Stop engine and disconnect vacuum hose connected to power valve actuator.
2. Start engine and let it idle.
3. Perform "VIAS SOL VALVE" in "ACTIVE TEST" mode with CONSULT-III.
4. Turn VIAS control solenoid valve "ON" and "OFF", and check vacuum existence under the following conditions.

VIAS SOL VALVE	Vacuum
ON	Should exist.
OFF	Should not exist.

OK or NG

- OK >> Repair or replace power valve actuator.
- NG >> GO TO 4.

3. CHECK VACUUM EXISTENCE

 Without CONSULT-III

1. Stop engine and disconnect vacuum hose connected to power valve actuator.
2. Disconnect VIAS control solenoid valve harness connector.
3. Start engine and let it idle.

A  
EC  
C  
D  
E  
F  
G  
H  
I  
J  
K  
L  
M  
N  
O  
P

# VIAS

[VQ40DE]

## < COMPONENT DIAGNOSIS >

- Apply 12V of direct current between VIAS control solenoid valve terminals 1 and 2.
- Check vacuum existence under the following conditions.

Condition	Vacuum
12V direct current supply	Should exist.
No supply	Should not exist.

### OK or NG

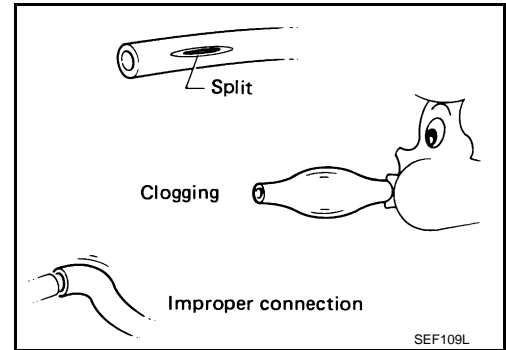
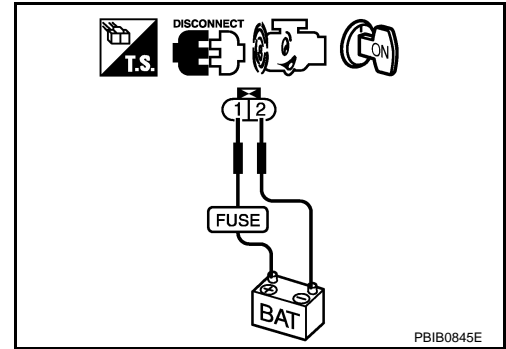
- OK >> Repair or replace power valve actuator.  
 NG >> GO TO 4.

## 4.CHECK VACUUM HOSE

- Stop engine.
- Check hoses and tubes between intake manifold and power valve actuator for cracks, clogging, improper connection or disconnection. Refer to [EC-51, "Vacuum Hose Drawing"](#).

### OK or NG

- OK >> GO TO 5.  
 NG >> Repair hoses or tubes.



## 5.CHECK VACUUM TANK

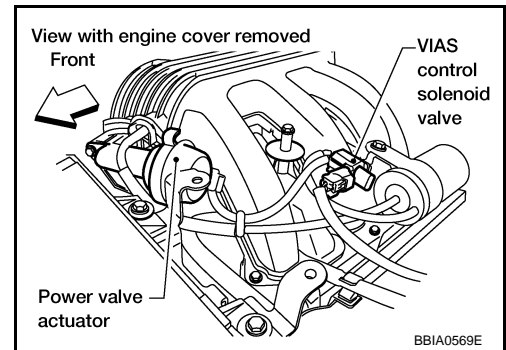
Refer to [EC-419, "Component Inspection"](#).

### OK or NG

- OK >> GO TO 6.  
 NG >> Replace vacuum tank.

## 6.CHECK VIAS CONTROL SOLENOID VALVE POWER SUPPLY CIRCUIT

- Turn ignition switch OFF.
- Disconnect VIAS control solenoid valve harness connector.
- Turn ignition switch ON.

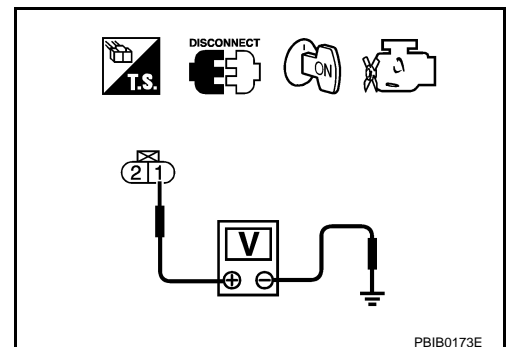


- Check voltage between terminal 1 and ground with CONSULT-III or tester.

**Voltage: Battery voltage**

### OK or NG

- OK >> GO TO 8.  
 NG >> GO TO 7.



**7. DETECT MALFUNCTIONING PART**

Check the following.

- Harness connectors E2, F32
- Harness for open or short between VIAS control solenoid valve and IPDM E/R
- Harness for open or short between VIAS control solenoid valve and ECM

>> Repair harness or connectors.

**8. CHECK VIAS CONTROL SOLENOID VALVE OUTPUT SIGNAL CIRCUIT FOR OPEN AND SHORT**

1. Turn ignition switch OFF.
2. Disconnect ECM harness connector.
3. Check harness continuity between ECM terminal 29 and VIAS control solenoid valve terminal 2. Refer to Wiring Diagram.

**Continuity should exist.**

4. Also check harness for short to ground and short to power.

**OK or NG**

OK >> GO TO 9.

NG >> Repair open circuit or short to ground or short to power in harness or connectors.

**9. CHECK VIAS CONTROL SOLENOID VALVE**

Refer to [EC-419, "Component Inspection"](#).

**OK or NG**

OK >> GO TO 10.

NG >> Replace VIAS control solenoid valve.

**10. CHECK INTERMITTENT INCIDENT**

Refer to [GI-49, "Intermittent Incident"](#).

>> **INSPECTION END**

**Component Inspection**

INFOID:000000004297655

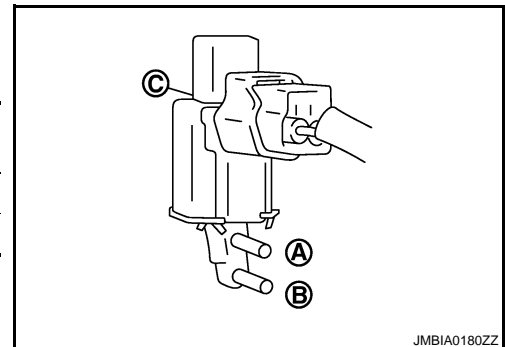
**VIAS CONTROL SOLENOID VALVE**

 With CONSULT-III

1. Reconnect harness connectors disconnected.
2. Turn ignition switch ON.
3. Perform "VIAS SOL VALVE" in "ACTIVE TEST" mode.
4. Check air passage continuity and operation delay time under the following conditions.

Condition VIAS SOL VALVE	Air passage continuity between (A) and (B)	Air passage continuity between (A) and (C)
ON	Yes	No
OFF	No	Yes

**Operation takes less than 1 second.**



JMBIA0180ZZ

 Without CONSULT-III

# VIAS

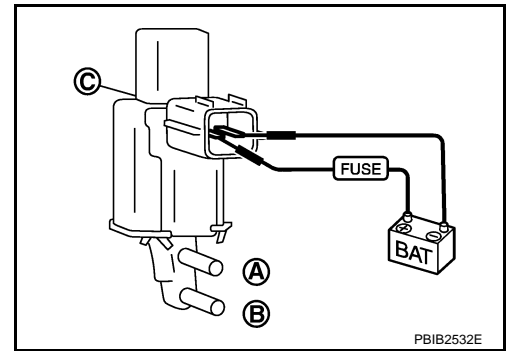
[VQ40DE]

## < COMPONENT DIAGNOSIS >

Check air passage continuity and operation delay time under the following conditions.

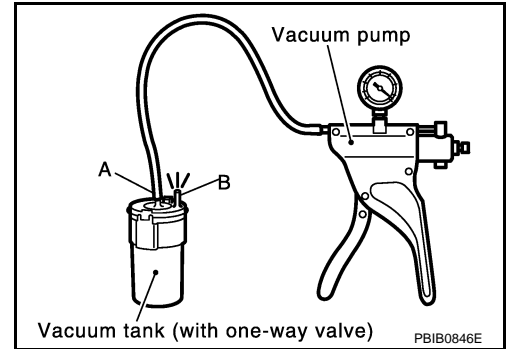
Condition	Air passage continuity between (A) and (B)	Air passage continuity between (A) and (C)
12V direct current supply between terminals 1 and 2	Yes	No
No supply	No	Yes

**Operation takes less than 1 second.**



## VACUUM TANK

1. Disconnect vacuum hose connected to vacuum tank.
2. Connect a vacuum pump to the port (A) of vacuum tank.
3. Apply vacuum and make sure that vacuum exists at the port (B).





# ECU DIAGNOSIS

## ECM

### CONSULT-III Reference Value in Data Monitor Mode

INFOID:000000004297656

## Remarks:

- Specification data are reference values.
- Specification data are output/input values which are detected or supplied by the ECM at the connector.
- \* Specification data may not be directly related to their components signals/values/operations.

i.e. Adjust ignition timing with a timing light before monitoring IGN TIMING, because the monitor may show the specification data in spite of the ignition timing not being adjusted to the specification data. This IGN TIMING monitors the data calculated by the ECM according to the signals input from the camshaft position sensor and other ignition timing related sensors.

MONITOR ITEM	CONDITION		SPECIFICATION
ENG SPEED	• Run engine and compare CONSULT-III value with the tachometer indication.		Almost the same speed as the tachometer indication.
MAS A/F SE-B1	See <a href="#">EC-84</a> .		
B/FUEL SCHDL	See <a href="#">EC-84</a> .		
A/F ALPHA-B1 A/F ALPHA-B2	See <a href="#">EC-84</a> .		
COOLAN TEMP/S	• Engine: After warming up		More than 70°C (158°F)
A/F SEN1 (B1) A/F SEN1 (B2)	• Engine: After warming up	Maintaining engine speed at 2,000 rpm	Fluctuates around 2.2 V
HO2S2 (B1) HO2S2 (B2)	<ul style="list-style-type: none"> <li>• Revving engine from idle to 3,000 rpm quickly after the following conditions are met</li> <li>- Engine: After warming up</li> <li>- Keeping engine speed between 3,500 and 4,000 rpm for 1 minute and at idle for 1 minute under no load.</li> </ul>		0 - 0.3 V ↔ Approx. 0.6 - 1.0 V
HO2S2 MNTR (B1) HO2S2 MNTR (B2)	<ul style="list-style-type: none"> <li>• Revving engine from idle to 3,000 rpm quickly after the following conditions are met</li> <li>- Engine: After warming up</li> <li>- Keeping engine speed between 3,500 and 4,000 rpm for 1 minute and at idle for 1 minute under no load.</li> </ul>		LEAN ↔ RICH
VHCL SPEED SE	• Turn drive wheels and compare CONSULT-III value with the speedometer indication.		Almost the same speed as the speedometer indication
BATTERY VOLT	• Ignition switch: ON (Engine stopped)		11 - 14 V
ACCEL SEN 1	• Ignition switch: ON (Engine stopped)	Accelerator pedal: Fully released	0.65 - 0.87 V
		Accelerator pedal: Fully depressed	More than 4.3 V
ACCEL SEN 2*1	• Ignition switch: ON (Engine stopped)	Accelerator pedal: Fully released	0.56 - 0.96 V
		Accelerator pedal: Fully depressed	More than 4.0 V
TP SEN 1-B1 TP SEN 2-B1*1	• Ignition switch: ON (Engine stopped) • Shift lever: D	Accelerator pedal: Fully released	More than 0.36 V
		Accelerator pedal: Fully depressed	Less than 4.75 V
EVAP SYS PRES	• Ignition switch: ON		Approx. 1.8 - 4.8 V
START SIGNAL	• Ignition switch: ON → START → ON		OFF → ON → OFF
CLSD THL POS	• Ignition switch: ON (Engine stopped)	Accelerator pedal: Fully released	ON
		Accelerator pedal: Slightly depressed	OFF
AIR COND SIG	• Engine: After warming up, idle the engine	Air conditioner switch: OFF	OFF
		Air conditioner switch: ON (Compressor operates.)	ON
P/N POSI SW	• Ignition switch: ON	Shift lever: P or N	ON
		Shift lever: Except above	OFF
PW/ST SIGNAL	• Engine: After warming up, idle the engine	Steering wheel: Not being turned	OFF
		Steering wheel: Being turned.	ON

# ECM

< ECU DIAGNOSIS >

[VQ40DE]

MONITOR ITEM	CONDITION	SPECIFICATION	
LOAD SIGNAL	<ul style="list-style-type: none"> <li>Ignition switch: ON</li> </ul>	Rear window defogger switch is ON and/or lighting switch is in 2nd	ON
		Rear window defogger switch is OFF and lighting switch is OFF	OFF
IGNITION SW	<ul style="list-style-type: none"> <li>Ignition switch: ON → OFF → ON</li> </ul>		ON → OFF → ON
HEATER FAN SW	<ul style="list-style-type: none"> <li>Engine: After warming up, idle the engine</li> </ul>	Heater fan: Operating.	ON
		Heater fan: Not operating	OFF
BRAKE SW	<ul style="list-style-type: none"> <li>Ignition switch: ON</li> </ul>	Brake pedal: Fully released	OFF
		Brake pedal: Slightly depressed	ON
INJ PULSE-B1 INJ PULSE-B2	<ul style="list-style-type: none"> <li>Engine: After warming up</li> <li>Shift lever: P or N</li> <li>Air conditioner switch: OFF</li> <li>No load</li> </ul>	Idle	2.0 - 3.0 msec
		2,000 rpm	1.9 - 2.9 msec
IGN TIMING	<ul style="list-style-type: none"> <li>Engine: After warming up</li> <li>Shift lever: P or N</li> <li>Air conditioner switch: OFF</li> <li>No load</li> </ul>	Idle	13° - 18° BTDC
		2,000 rpm	25° - 45° BTDC
CAL/LD VALUE	<ul style="list-style-type: none"> <li>Engine: After warming up</li> <li>Shift lever: P or N</li> <li>Air conditioner switch: OFF</li> <li>No load</li> </ul>	Idle	5% - 35%
		2,500 rpm	5% - 35%
MASS AIRFLOW	<ul style="list-style-type: none"> <li>Engine: After warming up</li> <li>Shift lever: P or N</li> <li>Air conditioner switch: OFF</li> <li>No load</li> </ul>	Idle	2.0 - 6.0 g-m/s
		2,500 rpm	7.0 - 20.0 g-m/s
PURG VOL C/V	<ul style="list-style-type: none"> <li>Engine: After warming up</li> <li>Shift lever: P or N</li> <li>Air conditioner switch: OFF</li> <li>No load</li> </ul>	Idle (Accelerator pedal is not depressed even slightly, after engine starting)	0%
		2,000 rpm	—
INT/V TIM (B1) INT/V TIM (B2)	<ul style="list-style-type: none"> <li>Engine: After warming up</li> <li>Shift lever: P or N</li> <li>Air conditioner switch: OFF</li> <li>No load</li> </ul>	Idle	-5° - 5°CA
		2,000 rpm	Approx. 0° - 30°CA
INT/V SOL (B1) INT/V SOL (B2)	<ul style="list-style-type: none"> <li>Engine: After warming up</li> <li>Shift lever: P or N</li> <li>Air conditioner switch: OFF</li> <li>No load</li> </ul>	Idle	0% - 2%
		2,000 rpm	Approx. 0% - 50%
VIAS S/V-1	<ul style="list-style-type: none"> <li>Engine: After warming up</li> </ul>	2,200 - 3,300 rpm	ON
		Except above conditions	OFF
AIR COND RLY	<ul style="list-style-type: none"> <li>Engine: After warming up, idle the engine</li> </ul>	Air conditioner switch: OFF	OFF
		Air conditioner switch: ON (Compressor operates)	ON
FUEL PUMP RLY	<ul style="list-style-type: none"> <li>For 1 second after turning ignition switch ON</li> <li>Engine running or cranking</li> </ul>		ON
		<ul style="list-style-type: none"> <li>Except above conditions</li> </ul>	OFF
VENT CONT/V	<ul style="list-style-type: none"> <li>Ignition switch: ON</li> </ul>		OFF
THRTL RELAY	<ul style="list-style-type: none"> <li>Ignition switch: ON</li> </ul>		ON
COOLING FAN	<ul style="list-style-type: none"> <li>Engine: After warming up, idle the engine</li> <li>Air conditioner switch: OFF</li> </ul>	Engine coolant temperature: 97°C (207°F) or less	OFF
		Engine coolant temperature: Between 98°C (208°F) and 104°C (219°F)	LOW
		Engine coolant temperature: 105°C (221°F) or more	HI

# ECM

## < ECU DIAGNOSIS >

[VQ40DE]

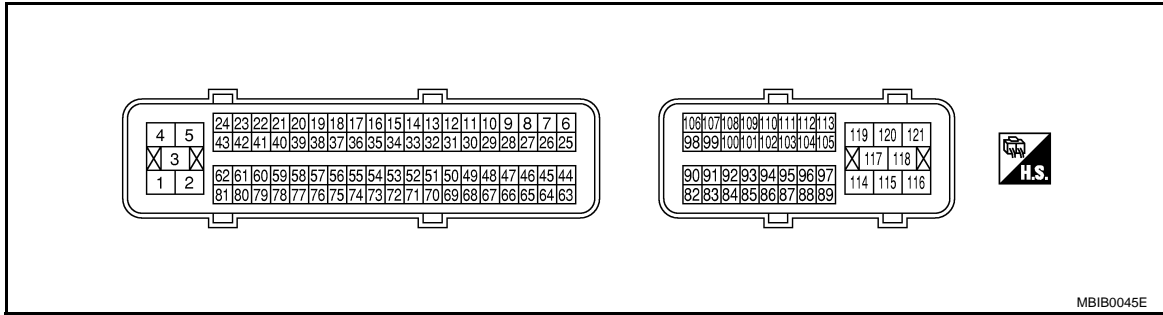
MONITOR ITEM	CONDITION	SPECIFICATION
HO2S2 HTR (B1) HO2S2 HTR (B2)	<ul style="list-style-type: none"> <li>• Engine speed: Below 3,600 rpm after the following conditions are met.</li> <li>- Engine: After warming up</li> <li>- Keeping the engine speed between 3,500 and 4,000 rpm for 1 minute and at idle for 1 minute under no load</li> </ul>	ON
	<ul style="list-style-type: none"> <li>• Engine speed: Above 3,600 rpm</li> </ul>	OFF
I/P PULLY SPD	<ul style="list-style-type: none"> <li>• Vehicle speed: More than 20 km/h (12 MPH)</li> </ul>	Almost the same speed as the speedometer indication
VEHICLE SPEED	<ul style="list-style-type: none"> <li>• Turn drive wheels and compare the CONSULT-III value with speedometer indication.</li> </ul>	Almost the same speed as the speedometer indication
TRVL AFTER MIL	<ul style="list-style-type: none"> <li>• Ignition switch: ON</li> </ul>	Vehicle has traveled after MIL has turned ON. 0 - 65,535 km (0 - 40,723 mile)
A/F S1 HTR (B1) A/F S1 HTR (B2)	<ul style="list-style-type: none"> <li>• Engine: After warming up, idle the engine</li> </ul>	4 - 100%
AC PRESS SEN	<ul style="list-style-type: none"> <li>• Engine: Idle</li> <li>• Both A/C switch blower fan switch: ON (Compressor operates)</li> </ul>	1.0 - 4.0 V
VHCL SPEED SE	<ul style="list-style-type: none"> <li>• Turn drive wheels and compare speedometer indication with the CONSULT-III value.</li> </ul>	Almost the same speed as the CONSULT-III value
SET VHCL SPD	<ul style="list-style-type: none"> <li>• Engine: Running</li> </ul>	ASCD: Operating. The preset vehicle speed is displayed.
MAIN SW	<ul style="list-style-type: none"> <li>• Ignition switch: ON</li> </ul>	MAIN switch: Pressed ON
		MAIN switch: Released OFF
CANCEL SW	<ul style="list-style-type: none"> <li>• Ignition switch: ON</li> </ul>	CANCEL switch: Pressed ON
		CANCEL switch: Released OFF
RESUME/ACC SW	<ul style="list-style-type: none"> <li>• Ignition switch: ON</li> </ul>	RESUME/ACCELERATE switch: Pressed ON
		RESUME/ACCELERATE switch: Released OFF
SET SW	<ul style="list-style-type: none"> <li>• Ignition switch: ON</li> </ul>	SET/COAST switch: Pressed ON
		SET/COAST switch: Released OFF
BRAKE SW1	<ul style="list-style-type: none"> <li>• Ignition switch: ON</li> </ul>	Brake pedal: Fully released ON
		Brake pedal: Slightly depressed OFF
BRAKE SW2	<ul style="list-style-type: none"> <li>• Ignition switch: ON</li> </ul>	Brake pedal: Fully released OFF
		Brake pedal: Slightly depressed ON
CRUISE LAMP	<ul style="list-style-type: none"> <li>• Ignition switch: ON</li> </ul>	MAIN switch: pressed at the 1st time → at the 2nd time ON → OFF
SET LAMP	<ul style="list-style-type: none"> <li>• MAIN switch: ON</li> <li>• When vehicle speed is between 40km/h (25MPH) and 144km/h (89MPH)</li> </ul>	ASCD: Operating ON
		ASCD: Not operating OFF
ALT DUTY	<ul style="list-style-type: none"> <li>• Engine: Idle</li> </ul>	0 - 80%
BAT CUR SEN	<ul style="list-style-type: none"> <li>• Engine speed: Idle</li> <li>• Battery: Fully charged*2</li> <li>• Shift lever: P or N</li> <li>• Air conditioner switch: OFF</li> <li>• No load</li> </ul>	Approx. 2,600 - 3,500 mV
ALT DUTY SIG	<ul style="list-style-type: none"> <li>• Power generation voltage variable control: Operating</li> </ul>	ON
	<ul style="list-style-type: none"> <li>• Power generation voltage variable control: Not operating</li> </ul>	OFF

\*1: Accelerator pedal position sensor 2 signal and throttle position sensor 2 signal are converted by ECM internally. Thus, they differ from ECM terminals voltage signal.

\*2: Before measuring the terminal voltage, confirm that the battery is fully charged. Refer to [PG-5. "How to Handle Battery"](#).

ECM Harness Connector Terminal Layout

INFOID:000000004297657



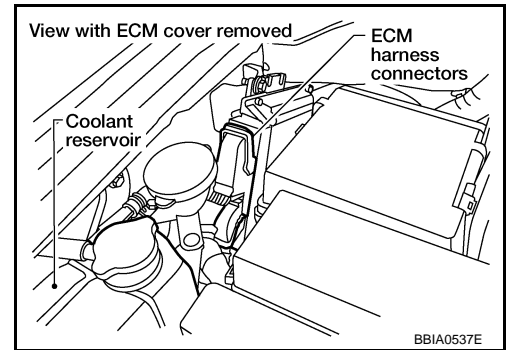
MBIB0045E

ECM Terminal and Reference Value

INFOID:000000004297658

PREPARATION

ECM located in the engine room passenger side behind reservoir tank.



BBI A0537E

ECM INSPECTION TABLE

Specification data are reference values and are measured between each terminal and ground. Pulse signal is measured by CONSULT-III.

**CAUTION:**

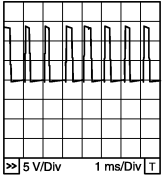
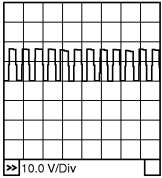
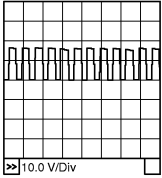
**Never use ECM ground terminals when measuring input/output voltage. Doing so may result in damage to the ECMs transistor. Use a ground other than ECM terminals, such as the ground.**

TER-MI-NAL NO.	WIRE COLOR	ITEM	CONDITION	DATA (DC Voltage)
1	BR	ECM ground	<b>[Engine is running]</b> • Idle speed	Body ground
2	G	A/F sensor 1 heater (Bank 1)	<b>[Engine is running]</b> • <b>Warm-up condition</b> • Idle speed (More than 140 seconds after starting engine)	Approximately 2.9 - 8.8V★  10.0V/Div 50ms/Div T PBIA8148J
3	V	Throttle control motor relay power supply	<b>[Ignition switch: ON]</b>	BATTERY VOLTAGE (11 - 14V)
4	L/W	Throttle control motor (Close)	<b>[Ignition switch: ON]</b> • Engine: Stopped • Shift lever: D • Accelerator pedal: Fully released	0 - 14V★  5V/Div 1ms/Div T PBIB1104E

# ECM

< ECU DIAGNOSIS >

[VQ40DE]

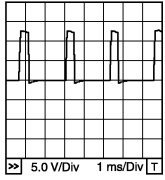
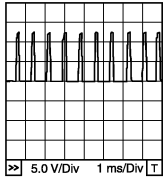
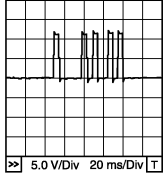
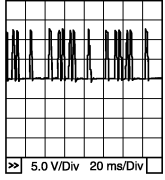
TER-MI-NAL NO.	WIRE COLOR	ITEM	CONDITION	DATA (DC Voltage)
5	L/B	Throttle control motor (Open)	<b>[Ignition switch: ON]</b> <ul style="list-style-type: none"> <li>• Engine: Stopped</li> <li>• Shift lever: D</li> <li>• Accelerator pedal: Fully depressed</li> </ul>	0 - 14V★  <small>PBIB1105E</small>
			<b>[Engine is running]</b> <ul style="list-style-type: none"> <li>• Engine speed is below 3,600 rpm after the following conditions are met</li> <li>- Engine: After warming up</li> <li>- Keeping the engine speed between 3,500 and 4,000 rpm for 1 minute and at idle for 1 minute under no load</li> </ul>	0 - 1.0V
6	R	Heated oxygen sensor 2 heater (Bank 2)	<b>[Ignition switch: ON]</b> <ul style="list-style-type: none"> <li>• Engine: Stopped</li> </ul>	BATTERY VOLTAGE (11 - 14V)
			<b>[Engine is running]</b> <ul style="list-style-type: none"> <li>• Engine speed: Above 3,600 rpm</li> </ul>	BATTERY VOLTAGE (11 - 14V)
10	W	Intake valve timing control solenoid valve (Bank 2)	<b>[Engine is running]</b> <ul style="list-style-type: none"> <li>• Warm-up condition</li> <li>• Idle speed</li> </ul>	BATTERY VOLTAGE (11 - 14V)
			<b>[Engine is running]</b> <ul style="list-style-type: none"> <li>• Warm-up condition</li> <li>• Engine speed: 2,500 rpm</li> </ul>	7 - 12V★  <small>PBIB1790E</small>
11	LG	Intake valve timing control solenoid valve (Bank 1)	<b>[Engine is running]</b> <ul style="list-style-type: none"> <li>• Warm-up condition</li> <li>• Idle speed</li> </ul>	BATTERY VOLTAGE (11 - 14V)
			<b>[Engine is running]</b> <ul style="list-style-type: none"> <li>• Warm-up condition</li> <li>• Engine speed: 2,500 rpm</li> </ul>	7 - 12V★  <small>PBIB1790E</small>
12	P	Power steering pressure sensor	<b>[Engine is running]</b> <ul style="list-style-type: none"> <li>• Steering wheel: Being turned</li> </ul>	0.5 - 4.5V
			<b>[Engine is running]</b> <ul style="list-style-type: none"> <li>• Steering wheel: Not being turned</li> </ul>	0.4 - 0.8V

A  
EC  
C  
D  
E  
F  
G  
H  
I  
J  
K  
L  
M  
N  
O  
P

# ECM

< ECU DIAGNOSIS >

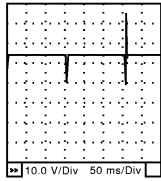
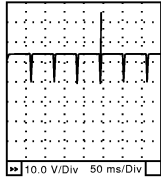
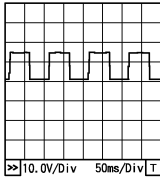
[VQ40DE]

TER-MI-NAL NO.	WIRE COLOR	ITEM	CONDITION	DATA (DC Voltage)
13	G	Crankshaft position sensor (POS)	<p><b>[Engine is running]</b></p> <ul style="list-style-type: none"> <li>• Warm-up condition</li> <li>• Idle speed</li> </ul> <p><b>NOTE:</b> The pulse cycle changes depending on rpm at idle</p>	<p>Approximately 10V★</p>  <p style="text-align: right;">PBIB1041E</p>
			<p><b>[Engine is running]</b></p> <ul style="list-style-type: none"> <li>• Engine speed: 2,000 rpm</li> </ul>	<p>Approximately 10V★</p>  <p style="text-align: right;">PBIB1042E</p>
14	Y	Camshaft position sensor (PHASE) (Bank 2)	<p><b>[Engine is running]</b></p> <ul style="list-style-type: none"> <li>• Warm-up condition</li> <li>• Idle speed</li> </ul> <p><b>NOTE:</b> The pulse cycle changes depending on rpm at idle</p>	<p>1.0 - 4.0V★</p>  <p style="text-align: right;">PBIB1039E</p>
			<p><b>[Engine is running]</b></p> <ul style="list-style-type: none"> <li>• Engine speed: 2,000 rpm</li> </ul>	<p>1.0 - 4.0V★</p>  <p style="text-align: right;">PBIB1040E</p>
15	W	Knock sensor (Bank 1)	<p><b>[Engine is running]</b></p> <ul style="list-style-type: none"> <li>• Idle speed</li> </ul>	Approximately 2.5V
16	BR	A/F sensor 1 (Bank 2)	<p><b>[Engine is running]</b></p> <ul style="list-style-type: none"> <li>• Warm-up condition</li> <li>• Engine speed: 2,000 rpm</li> </ul>	<p>Approximately 1.8V</p> <p>Output voltage varies with air fuel ratio.</p>

# ECM

< ECU DIAGNOSIS >

[VQ40DE]

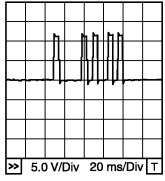
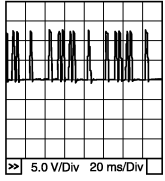
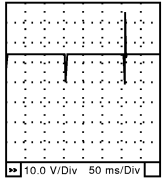
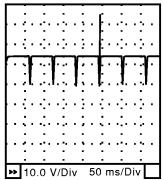
TER-MI-NAL NO.	WIRE COLOR	ITEM	CONDITION	DATA (DC Voltage)
21 22 23	W LG SB	Fuel injector No. 5 Fuel injector No. 3 Fuel injector No. 1	<p><b>[Engine is running]</b></p> <ul style="list-style-type: none"> <li>• Warm-up condition</li> <li>• Idle speed</li> </ul> <p><b>NOTE:</b> The pulse cycle changes depending on rpm at idle</p>	<p>BATTERY VOLTAGE (11 - 14V)★</p>  <p style="text-align: right; font-size: small;">SEC984C</p>
			<p><b>[Engine is running]</b></p> <ul style="list-style-type: none"> <li>• Warm-up condition</li> <li>• Engine speed: 2,000 rpm</li> </ul>	<p>BATTERY VOLTAGE (11 - 14V)★</p>  <p style="text-align: right; font-size: small;">SEC985C</p>
24 43	G G	A/F sensor 1 heater (Bank 2)	<p><b>[Engine is running]</b></p> <ul style="list-style-type: none"> <li>• Warm-up condition</li> <li>• Idle speed (More than 140 seconds after starting engine)</li> </ul>	<p>Approximately 2.9 - 8.8V★</p>  <p style="text-align: right; font-size: small;">PBI8148J</p>
25	P	Heated oxygen sensor 2 heater (Bank 1)	<p><b>[Engine is running]</b></p> <ul style="list-style-type: none"> <li>• Engine speed: Below 3,600 rpm after the following conditions are met</li> <li>- Engine: After warming up</li> <li>- Keeping the engine speed between 3,500 and 4,000 rpm for 1 minute and at idle for 1 minute under no load</li> </ul>	0 - 1.0V
			<p><b>[Ignition switch: ON]</b></p> <ul style="list-style-type: none"> <li>• Engine: Stopped</li> </ul> <p><b>[Engine is running]</b></p> <ul style="list-style-type: none"> <li>• Engine speed: Above 3,600 rpm</li> </ul>	BATTERY VOLTAGE (11 - 14V)
29	G	VIAS control solenoid valve	<p><b>[Engine is running]</b></p> <ul style="list-style-type: none"> <li>• Idle speed</li> </ul>	BATTERY VOLTAGE (11 - 14V)
			<p><b>[Engine is running]</b></p> <ul style="list-style-type: none"> <li>• Engine speed: Between 2,200 and 3,300 rpm</li> </ul>	0 - 1.0V
32	W	EVAP control system pressure sensor	<b>[Ignition switch: ON]</b>	Approximately 1.8 - 4.8V

A  
EC  
C  
D  
E  
F  
G  
H  
I  
J  
K  
L  
M  
N  
O  
P

# ECM

## < ECU DIAGNOSIS >

[VQ40DE]

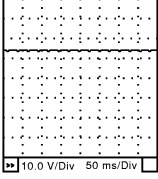
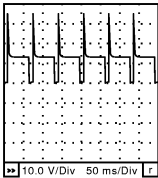
TER-MI-NAL NO.	WIRE COLOR	ITEM	CONDITION	DATA (DC Voltage)
33	L	Camshaft position sensor (PHASE) (Bank 1)	<p><b>[Engine is running]</b></p> <ul style="list-style-type: none"> <li>• Warm-up condition</li> <li>• Idle speed</li> </ul> <p><b>NOTE:</b> The pulse cycle changes depending on rpm at idle</p>	<p>1.0 - 4.0V★</p>  <p style="text-align: right; font-size: small;">PBIB1039E</p>
			<p><b>[Engine is running]</b></p> <ul style="list-style-type: none"> <li>• Engine speed: 2,000 rpm</li> </ul>	<p>1.0 - 4.0V★</p>  <p style="text-align: right; font-size: small;">PBIB1040E</p>
34	BR	Intake air temperature sensor	<p><b>[Engine is running]</b></p>	<p>Approximately 0 - 4.8V</p> <p>Output voltage varies with intake air temperature.</p>
35	O	A/F sensor 1 (Bank 1)	<p><b>[Engine is running]</b></p> <ul style="list-style-type: none"> <li>• Warm-up condition</li> <li>• Engine speed: 2,000 rpm</li> </ul>	<p>Approximately 1.8V</p> <p>Output voltage varies with air fuel ratio.</p>
36	W	Knock sensor (Bank 2)	<p><b>[Engine is running]</b></p> <ul style="list-style-type: none"> <li>• Idle speed</li> </ul>	<p>Approximately 2.5V</p>
40 41 42	V R O	Fuel injector No. 6 Fuel injector No. 4 Fuel injector No. 2	<p><b>[Engine is running]</b></p> <ul style="list-style-type: none"> <li>• Warm-up condition</li> <li>• Idle speed</li> </ul> <p><b>NOTE:</b> The pulse cycle changes depending on rpm at idle</p>	<p>BATTERY VOLTAGE (11 - 14V)★</p>  <p style="text-align: right; font-size: small;">SEC984C</p>
			<p><b>[Engine is running]</b></p> <ul style="list-style-type: none"> <li>• Warm-up condition</li> <li>• Engine speed: 2,000 rpm</li> </ul>	<p>BATTERY VOLTAGE (11 - 14V)★</p>  <p style="text-align: right; font-size: small;">SEC985C</p>



# ECM

< ECU DIAGNOSIS >

[VQ40DE]

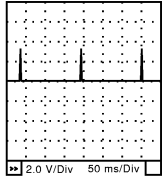
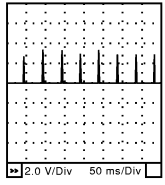
TER-MI-NAL NO.	WIRE COLOR	ITEM	CONDITION	DATA (DC Voltage)
45	R	EVAP canister purge volume control solenoid valve	<b>[Engine is running]</b> <ul style="list-style-type: none"> <li>• Idle speed</li> <li>• Accelerator pedal is not depressed even slightly, after engine starting</li> </ul>	<b>BATTERY VOLTAGE (11 - 14V)★</b> 
			<b>[Engine is running]</b> <ul style="list-style-type: none"> <li>• Engine speed: About 2,000 rpm (More than 100 seconds after starting engine)</li> </ul>	<b>BATTERY VOLTAGE (11 - 14V)★</b> 
47	L	Sensor power supply (Throttle position sensor)	<b>[Ignition switch: ON]</b>	Approximately 5V
48	SB	Sensor power supply (EVAP control system pressure sensor)	<b>[Ignition switch: ON]</b>	Approximately 5V
49	P	Sensor power supply (Refrigerant pressure sensor/Battery current sensor)	<b>[Ignition switch: ON]</b>	Approximately 5V
50	W	Throttle position sensor 1	<b>[Ignition switch: ON]</b> <ul style="list-style-type: none"> <li>• Engine: Stopped</li> <li>• Shift lever: D</li> <li>• Accelerator pedal: Fully released</li> </ul>	More than 0.36V
			<b>[Ignition switch: ON]</b> <ul style="list-style-type: none"> <li>• Engine: Stopped</li> <li>• Shift lever: D</li> <li>• Accelerator pedal: Fully depressed</li> </ul>	Less than 4.75V
51	P	Mass air flow sensor	<b>[Engine is running]</b> <ul style="list-style-type: none"> <li>• <b>Warm-up condition</b></li> <li>• Idle speed</li> </ul>	0.9 - 1.2V
			<b>[Engine is running]</b> <ul style="list-style-type: none"> <li>• <b>Warm-up condition</b></li> <li>• Engine speed: 2,500 rpm</li> </ul>	1.5 - 1.8V
55	G	Heated oxygen sensor 2 (Bank 2)	<b>[Engine is running]</b> <ul style="list-style-type: none"> <li>• Revving engine from idle to 3,000 rpm quickly after the following conditions are met</li> <li>- Engine: After warming up</li> <li>- Keeping the engine speed between 3,500 and 4,000 rpm for 1 minute and at idle for 1 minute under no load</li> </ul>	0 - Approximately 1.0V
56	LG	A/F sensor 1 (Bank 1)	<b>[Ignition switch: ON]</b>	Approximately 2.2V

A  
EC  
C  
D  
E  
F  
G  
H  
I  
J  
K  
L  
M  
N  
O  
P

# ECM

< ECU DIAGNOSIS >

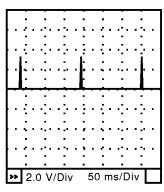
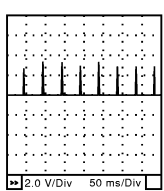
[VQ40DE]

TER-MI-NAL NO.	WIRE COLOR	ITEM	CONDITION	DATA (DC Voltage)
60 61 62	SB L Y	Ignition signal No. 5 Ignition signal No. 3 Ignition signal No. 1	<b>[Engine is running]</b> <ul style="list-style-type: none"> <li>• Warm-up condition</li> <li>• Idle speed</li> </ul> <b>NOTE:</b> The pulse cycle changes depending on rpm at idle	0 - 0.2V★ 
			<b>[Engine is running]</b> <ul style="list-style-type: none"> <li>• Warm-up condition</li> <li>• Engine speed: 2,500 rpm</li> </ul>	0.1 - 0.4V★ 
66	B	Sensor ground (Throttle position sensor)	<b>[Engine is running]</b> <ul style="list-style-type: none"> <li>• Warm-up condition</li> <li>• Idle speed</li> </ul>	Approximately 0V
67	B	Sensor ground	<b>[Engine is running]</b> <ul style="list-style-type: none"> <li>• Warm-up condition</li> <li>• Idle speed</li> </ul>	Approximately 0V
68	G	Sensor power supply (Power steering pressure sensor)	<b>[Ignition switch: ON]</b>	Approximately 5V
69	R	Throttle position sensor 2	<b>[Ignition switch: ON]</b> <ul style="list-style-type: none"> <li>• Engine: Stopped</li> <li>• Shift lever: D</li> <li>• Accelerator pedal: Fully released</li> </ul>	Less than 4.75V
			<b>[Ignition switch: ON]</b> <ul style="list-style-type: none"> <li>• Engine: Stopped</li> <li>• Shift lever: D</li> <li>• Accelerator pedal: Fully depressed</li> </ul>	More than 0.36V
70	BR	Refrigerant pressure sensor	<b>[Engine is running]</b> <ul style="list-style-type: none"> <li>• Warm-up condition</li> <li>• Both A/C switch and blower switch: ON (Compressor operates)</li> </ul>	1.0 - 4.0V
71	R	Battery current sensor	<b>[Engine is running]</b> <ul style="list-style-type: none"> <li>• Battery: Fully charged*</li> <li>• Idle speed</li> </ul>	Approximately 2.6 - 3.5V
73	Y	Engine coolant temperature sensor	<b>[Engine is running]</b>	Approximately 0 - 4.8V Output voltage varies with engine coolant temperature.
74	W	Heated oxygen sensor 2 (Bank 1)	<b>[Engine is running]</b> <ul style="list-style-type: none"> <li>• Revving engine from idle to 3,000 rpm quickly after the following conditions are met</li> <li>- Engine: After warming up</li> <li>- Keeping the engine speed between 3,500 and 4,000 rpm for 1 minute and at idle for 1 minute under no load</li> </ul>	0 - Approximately 1.0V
75	P	A/F sensor 1 (Bank 2)	<b>[Ignition switch: ON]</b>	Approximately 2.2V
78	GR	Sensor ground (Heated oxygen sensor 2)	<b>[Engine is running]</b> <ul style="list-style-type: none"> <li>• Warm-up condition</li> <li>• Idle speed</li> </ul>	Approximately 0V

# ECM

< ECU DIAGNOSIS >

[VQ40DE]

TER-MI-NAL NO.	WIRE COLOR	ITEM	CONDITION	DATA (DC Voltage)
79 80 81	P GR G	Ignition signal No. 6 Ignition signal No. 4 Ignition signal No. 2	<b>[Engine is running]</b> <ul style="list-style-type: none"> <li>• Warm-up condition</li> <li>• Idle speed</li> </ul> <b>NOTE:</b> The pulse cycle changes depending on rpm at idle	0 - 0.2V★ 
			<b>[Engine is running]</b> <ul style="list-style-type: none"> <li>• Warm-up condition</li> <li>• Engine speed: 2,500 rpm</li> </ul>	0.1 - 0.4V★ 
82	B	Sensor ground (APP sensor 1)	<b>[Engine is running]</b> <ul style="list-style-type: none"> <li>• Warm-up condition</li> <li>• Idle speed</li> </ul>	Approximately 0V
83	B	Sensor ground (APP sensor 2)	<b>[Engine is running]</b> <ul style="list-style-type: none"> <li>• Warm-up condition</li> <li>• Idle speed</li> </ul>	Approximately 0V
85	W	Data link connector	<b>[Ignition switch: ON]</b> <ul style="list-style-type: none"> <li>• CONSULT-III or GST: disconnected</li> </ul>	Approximately 5V - Battery voltage (11 - 14V)
86	P	CAN communication line	—	—
90	L	Sensor power supply (APP sensor 1)	<b>[Ignition switch: ON]</b>	Approximately 5V
91	G	Sensor power supply (APP sensor 2)	<b>[Ignition switch: ON]</b>	Approximately 5V
94	L	CAN communication line	—	—
98	GR	Accelerator pedal position sensor 2	<b>[Ignition switch: ON]</b> <ul style="list-style-type: none"> <li>• Engine: Stopped</li> <li>• Accelerator pedal: Fully released</li> </ul>	0.28 - 0.48V
			<b>[Ignition switch: ON]</b> <ul style="list-style-type: none"> <li>• Engine: Stopped</li> <li>• Accelerator pedal: Fully depressed</li> </ul>	More than 2.0
99	SB	ASC D steering switch	<b>[Ignition switch: ON]</b> <ul style="list-style-type: none"> <li>• ASC D steering switch: OFF</li> </ul>	Approximately 4V
			<b>[Ignition switch: ON]</b> <ul style="list-style-type: none"> <li>• MAIN switch: Pressed</li> </ul>	Approximately 0V
			<b>[Ignition switch: ON]</b> <ul style="list-style-type: none"> <li>• CANCEL switch: Pressed</li> </ul>	Approximately 1V
			<b>[Ignition switch: ON]</b> <ul style="list-style-type: none"> <li>• RESUME/ACCELERATE switch: Pressed</li> </ul>	Approximately 3V
			<b>[Ignition switch: ON]</b> <ul style="list-style-type: none"> <li>• SET/COAST switch: Pressed</li> </ul>	Approximately 2V
101	LG	Stop lamp switch	<b>[Ignition switch: OFF]</b> <ul style="list-style-type: none"> <li>• Brake pedal: Fully released</li> </ul>	Approximately 0V
			<b>[Ignition switch: OFF]</b> <ul style="list-style-type: none"> <li>• Brake pedal: Slightly depressed</li> </ul>	BATTERY VOLTAGE (11 - 14V)

A  
EC  
C  
D  
E  
F  
G  
H  
I  
J  
K  
L  
M  
N  
O  
P

# ECM

< ECU DIAGNOSIS >

[VQ40DE]

TER-MI-NAL NO.	WIRE COLOR	ITEM	CONDITION	DATA (DC Voltage)
102	G	PNP switch	<b>[Ignition switch: ON]</b> • Shift lever: P or N	Approximately 0V
			<b>[Ignition switch: ON]</b> • Except above position	BATTERY VOLTAGE (11 - 14V)
104	O	Throttle control motor relay	<b>[Ignition switch: OFF]</b>	BATTERY VOLTAGE (11 - 14V)
			<b>[Ignition switch: ON]</b>	0 - 1.0V
106	R	Accelerator pedal position sensor 1	<b>[Ignition switch: ON]</b> • Engine: Stopped • Accelerator pedal: Fully released	0.65 - 0.87V
			<b>[Ignition switch: ON]</b> • Engine: Stopped • Accelerator pedal: Fully depressed	More than 4.3V
107	Y	Fuel tank temperature sensor	<b>[Engine is running]</b>	Approximately 0 - 4.8V Output voltage varies with fuel tank temperature.
108	LG	ASCD brake switch	<b>[Ignition switch: ON]</b> • Brake pedal: Slightly depressed	Approximately 0V
			<b>[Ignition switch: ON]</b> • Brake pedal: Fully released	BATTERY VOLTAGE (11 - 14V)
109	W/R	Ignition switch	<b>[Ignition switch: OFF]</b>	0V
			<b>[Ignition switch: ON]</b>	BATTERY VOLTAGE (11 - 14V)
111	BR	ECM relay (Self shut-off)	<b>[Engine is running]</b> <b>[Ignition switch: OFF]</b> • For a few seconds after turning ignition switch OFF	0 - 1.5V
			<b>[Ignition switch: OFF]</b> • More than a few seconds after turning ignition switch OFF	BATTERY VOLTAGE (11 - 14V)
113	V	Fuel pump relay	<b>[Ignition switch: ON]</b> • For 1 second after turning ignition switch ON <b>[Engine is running]</b>	0 - 1.5V
			<b>[Ignition switch: ON]</b> • More than 1 second after turning ignition switch ON	BATTERY VOLTAGE (11 - 14V)
115 116	B GR	ECM ground	<b>[Engine is running]</b> • Idle speed	Body ground
117	G	EVAP canister vent control valve	<b>[Ignition switch: ON]</b>	BATTERY VOLTAGE (11 - 14V)
119 120	R P	Power supply for ECM	<b>[Ignition switch: ON]</b>	BATTERY VOLTAGE (11 - 14V)
121	R/B	Power supply for ECM (Back-up)	<b>[Ignition switch: OFF]</b>	BATTERY VOLTAGE (11 - 14V)

★: Average voltage for pulse signal (Actual pulse signal can be confirmed by oscilloscope.)

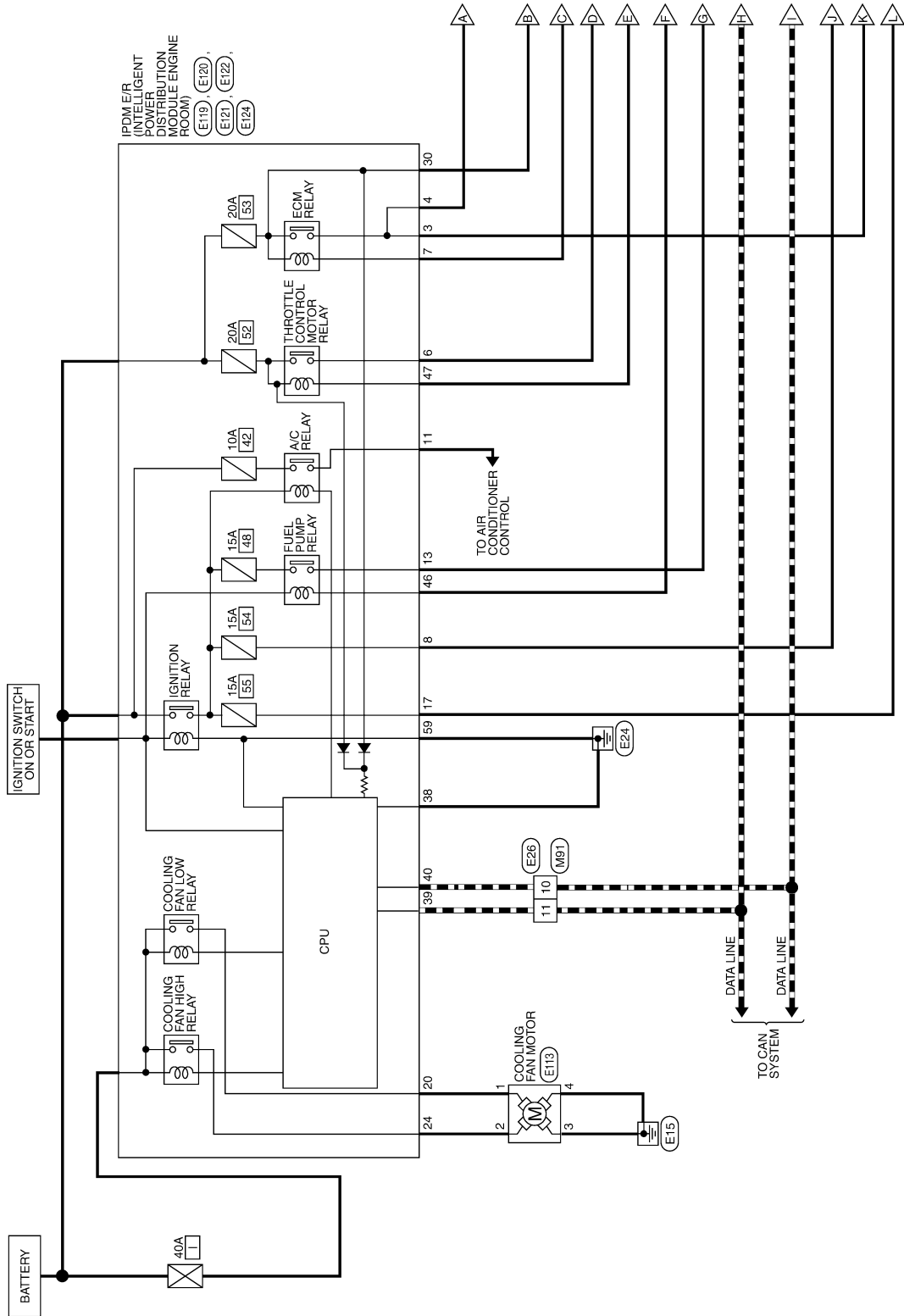
\*: Before measuring the terminal voltage, confirm that the battery is fully charged. Refer to [PG-5, "How to Handle Battery"](#).

Wiring Diagram - ENGINE CONTROL SYSTEM -

INFOID:000000004297659

ENGINE CONTROL SYSTEM - VQ40DE

--- : DATA LINE

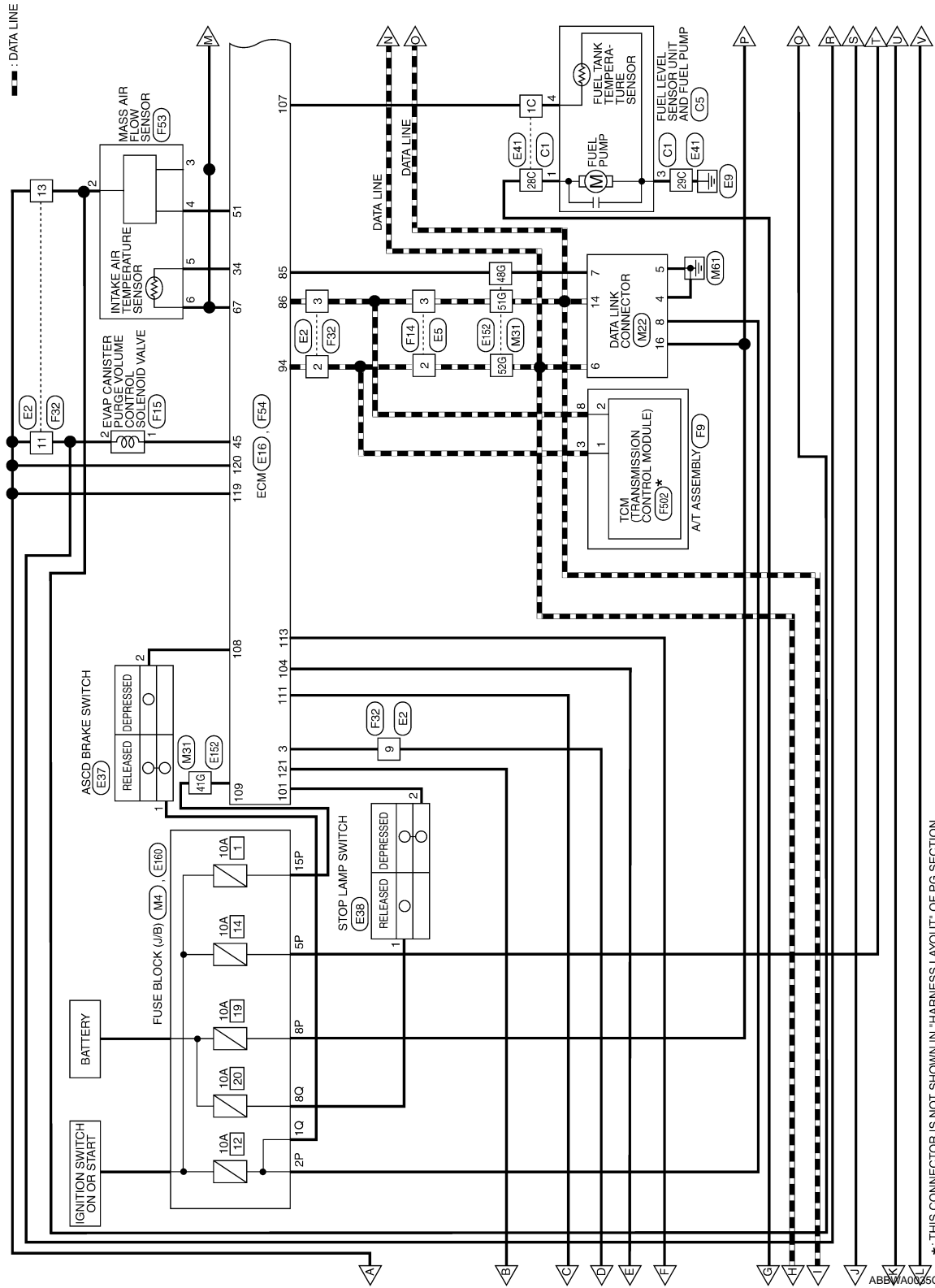


A  
C  
D  
E  
F  
G  
H  
I  
J  
K  
L  
M  
N  
O  
P

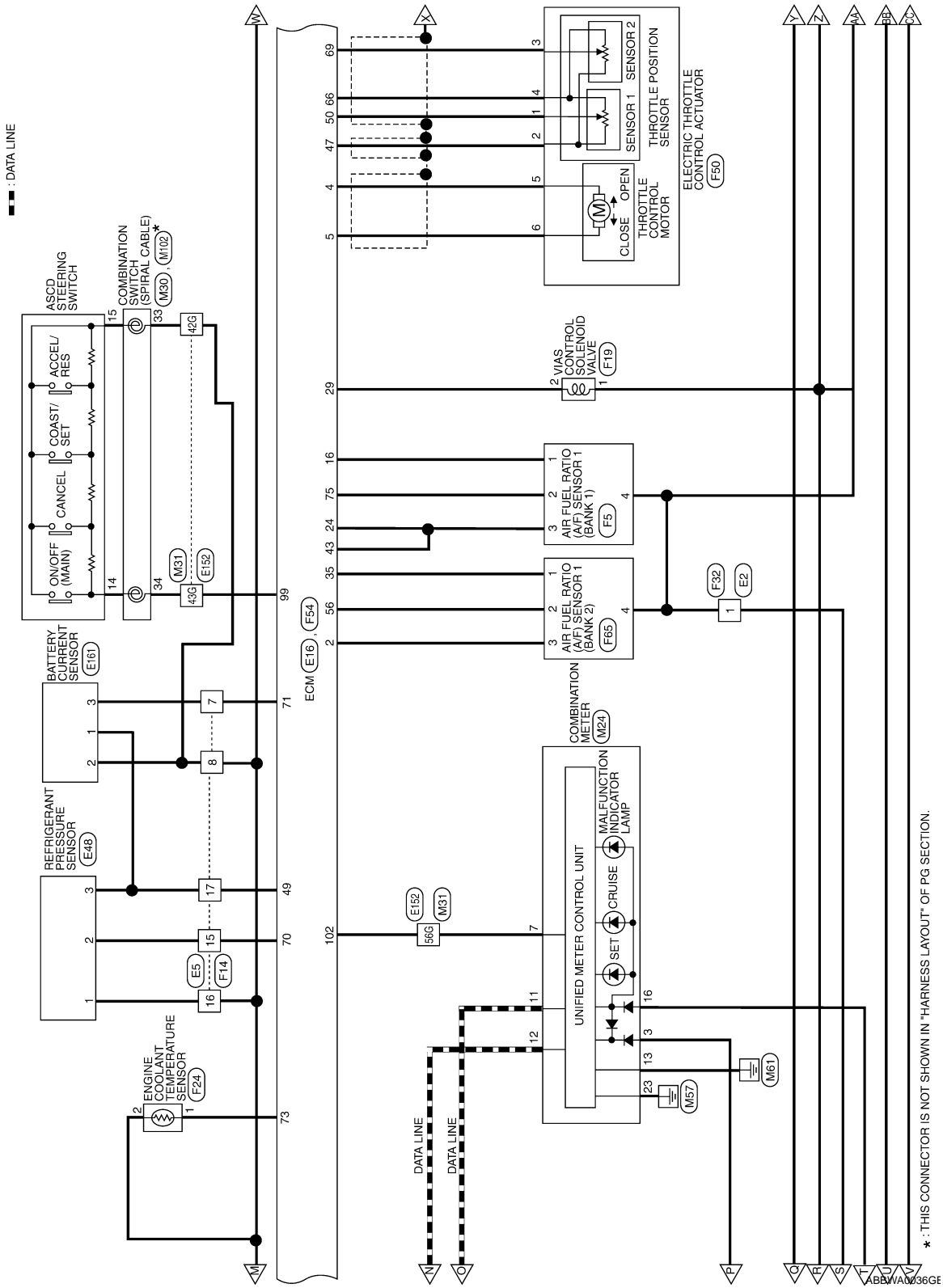
EC

ABBWA0034GE

# ECM

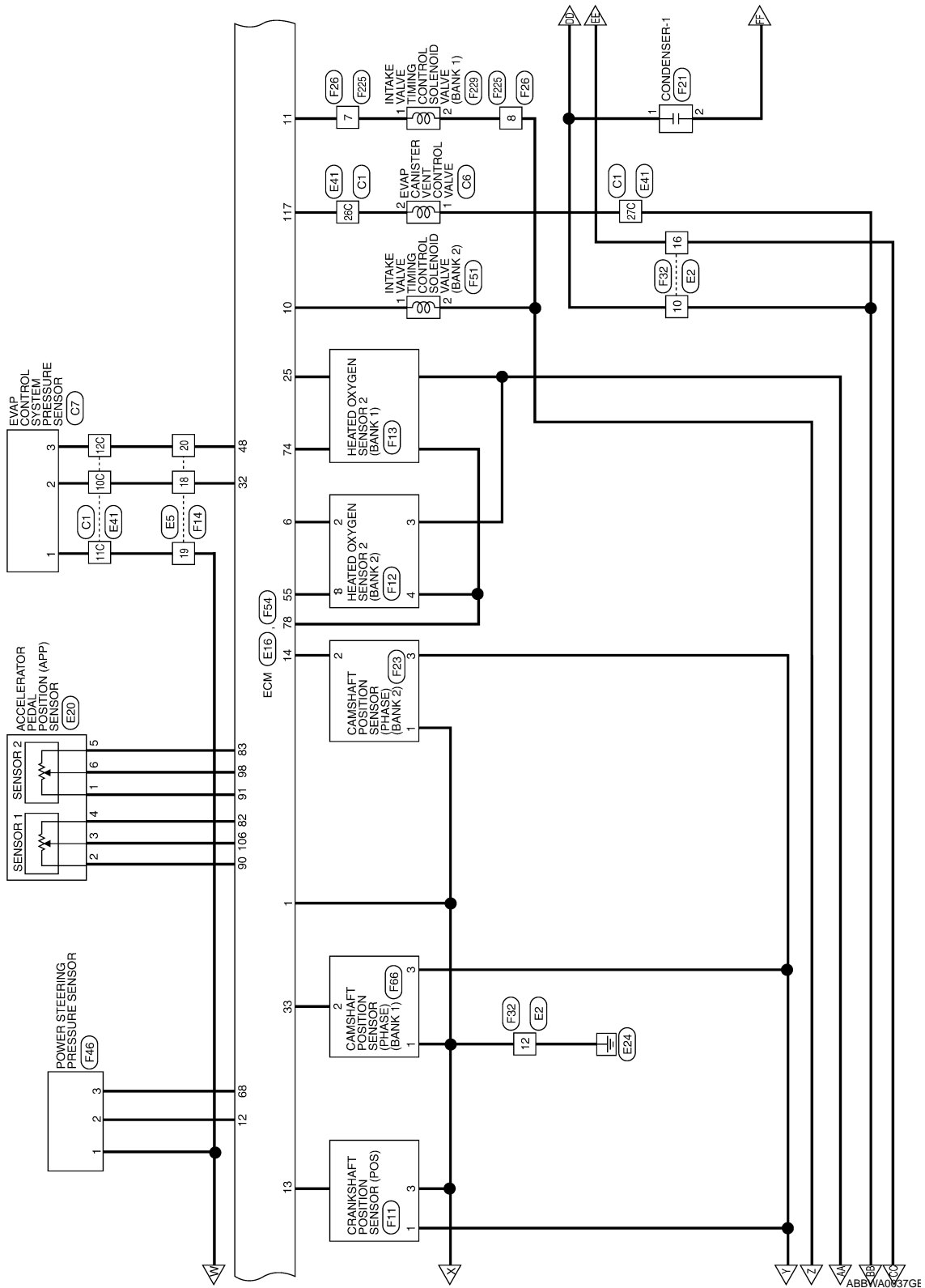


\*: THIS CONNECTOR IS NOT SHOWN IN "HARNES LAYOUT" OF PG SECTION.

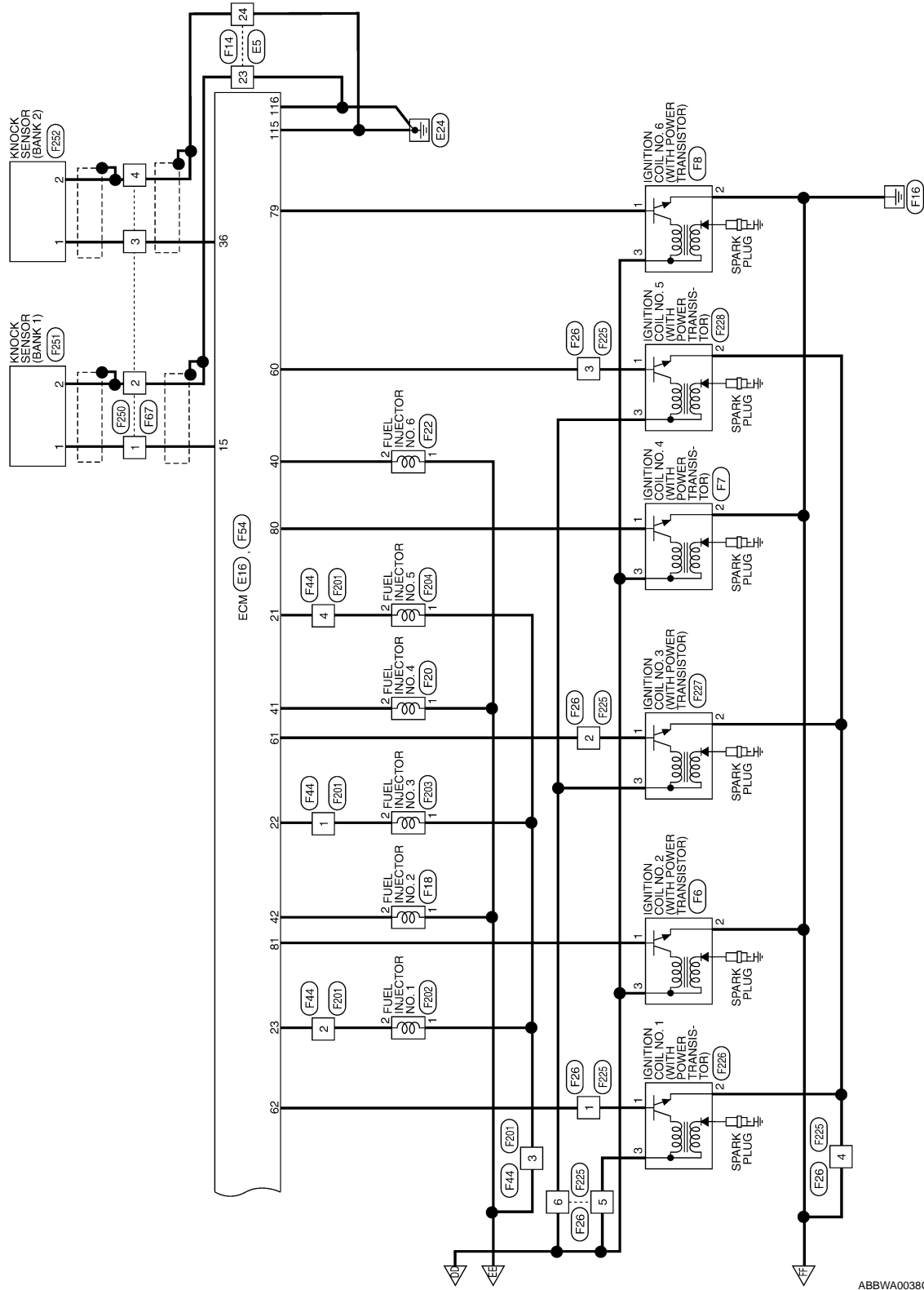


\* THIS CONNECTOR IS NOT SHOWN IN "HARNES LAYOUT" OF PG SECTION.

A  
EC  
C  
D  
E  
F  
G  
H  
I  
J  
K  
L  
M  
N  
O  
P







ABBWA0038GE

A  
EC  
C  
D  
E  
F  
G  
H  
I  
J  
K  
L  
M  
N  
O  
P

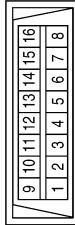
ENGINE CONTROL SYSTEM CONNECTORS-VQ40DE

Connector No.	M4
Connector Name	FUSE BLOCK (J/B)
Connector Color	WHITE



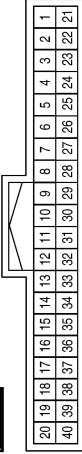
Terminal No.	Color of Wire	Signal Name
2P	W/G	-
5P	W/G	-
8P	R/Y	-
15P	W/R	-

Connector No.	M22
Connector Name	DATA LINK CONNECTOR
Connector Color	WHITE



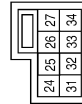
Terminal No.	Color of Wire	Signal Name
4	B	-
5	B	-
6	L	-
7	W	-
8	W/G	-
14	P	-
16	R/Y	-

Connector No.	M24
Connector Name	COMBINATION METER
Connector Color	WHITE



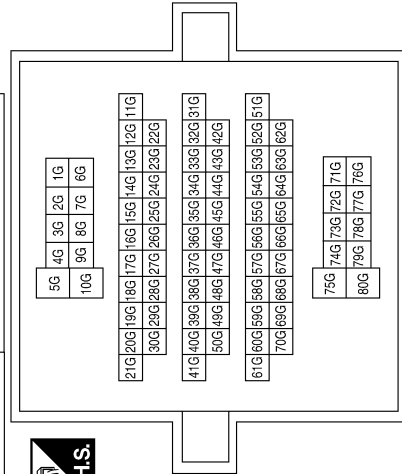
Terminal No.	Color of Wire	Signal Name
3	R/Y	BATTERY
7	G	AT-RN ECM
11	P	CAN-L
12	L	CAN-H
13	GR	GROUND
16	W/G	RUN/START
23	B	POWER GND

Connector No.	M30
Connector Name	COMBINATION SWITCH
Connector Color	GRAY



Terminal No.	Color of Wire	Signal Name
33	B	ASCD_RTN
34	SB	ASCD

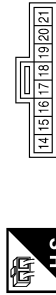
Connector No.	M31
Connector Name	WIRE TO WIRE
Connector Color	WHITE



Terminal No.	Color of Wire	Signal Name
41G	W/R	-
42G	B	-
43G	SB	-
48G	W	-
51G	P	-
52G	L	-
56G	G	-

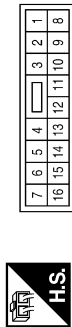
A  
EC  
C  
D  
E  
F  
G  
H  
I  
J  
K  
L  
M  
N  
O  
P

Connector No.	M102
Connector Name	COMBINATION SWITCH
Connector Color	GRAY



Terminal No.	Color of Wire	Signal Name
14	SB	-
15	B	-

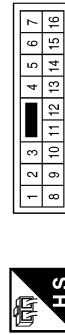
Connector No.	M91
Connector Name	WIRE TO WIRE
Connector Color	WHITE



Terminal No.	Color of Wire	Signal Name
10	L	-
11	P	-

Terminal No.	Color of Wire	Signal Name
3	P	-
9	V	-
10	G	-
11	GR	-
12	BR	-
13	LG	-
16	W/G	-

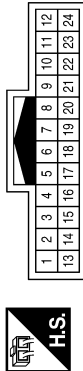
Connector No.	E2
Connector Name	WIRE TO WIRE
Connector Color	WHITE



Terminal No.	Color of Wire	Signal Name
1	W/R	-
2	L	-

ABBIA0092GB

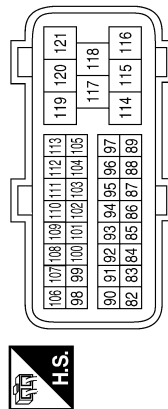
Connector No.	E5
Connector Name	WIRE TO WIRE
Connector Color	WHITE



Terminal No.	Color of Wire	Signal Name
2	L	-
3	P	-

Terminal No.	Color of Wire	Signal Name
7	R	-
8	B	-
15	BR	-
16	B	-
17	P	-
18	W	-
19	B	-
20	SB	-
23	GR	-
24	B	-

Connector No.	E16
Connector Name	ECM
Connector Color	BLACK

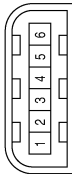


Terminal No.	Color of Wire	Signal Name
82	B	GND-A
83	B	GND-A2
84	-	-

Terminal No.	Color of Wire	Signal Name
85	W	K-LINE
86	P	CAN-L
87	-	-
88	-	-
89	-	-
90	L	AVCC
91	G	AVCC2
92	-	-
93	-	-
94	L	CAN-H
95	-	-
96	-	-
97	-	-
98	GR	APS2
99	SB	ASCD_SW
100	-	-
101	LG	BRAKE
102	G	NEUT
103	-	-

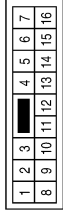
Terminal No.	Color of Wire	Signal Name
104	O	MOTRLY
105	-	-
106	R	APS1
107	Y	TF
108	LG	BNCSW
109	W/R	IGNSW
110	-	-
111	BR	SSOFF
112	-	-
113	V	FPR
114	-	-
115	B	GND
116	GR	GND
117	G	CDCV
118	-	-
119	R	VB
120	P	VB
121	R/B	BATT

Connector No.	E20
Connector Name	ACCELERATOR PEDAL POSITION (APP) SENSOR
Connector Color	BLACK



Terminal No.	Color of Wire	Signal Name
1	G	AVCC2
2	L	AVCC1
3	R	APS1
4	B	GND-A
5	B	GND-A2
6	GR	APS2

Connector No.	E26
Connector Name	WIRE TO WIRE
Connector Color	WHITE



Terminal No.	Color of Wire	Signal Name
10	P	-
11	L	-

Connector No.	E37
Connector Name	ASCD BRAKE SWITCH
Connector Color	BROWN



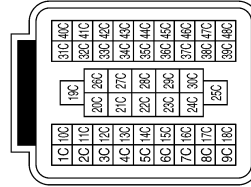
Terminal No.	Color of Wire	Signal Name
1	W/G	-
2	LG	-

Connector No.	E38
Connector Name	STOP LAMP SWITCH
Connector Color	WHITE



Terminal No.	Color of Wire	Signal Name
1	R/B	-
2	Y	-

Connector No.	E41
Connector Name	WIRE TO WIRE
Connector Color	BLACK



Terminal No.	Color of Wire	Signal Name
1C	Y	-
10C	W	-
11C	B	-
12C	SB	-
26C	G	-
27C	W	-
28C	R	-
29C	B	-

ABBI/A0094GB

Connector No.	E48
Connector Name	REFRIGERANT PRESSURE SENSOR
Connector Color	BLACK



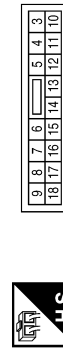
Terminal No.	Color of Wire	Signal Name
1	B	GND
2	BR	SIGNAL
3	P	POWER_SUPPLY

Connector No.	E113
Connector Name	COOLING FAN MOTOR (WITH VQ40DE)
Connector Color	GRAY



Terminal No.	Color of Wire	Signal Name
1	BR	-
2	P	-
3	B	-
4	B	-

Connector No.	E119
Connector Name	IPDM E/R (INTELLIGENT POWER DISTRIBUTION MODULE ENGINE ROOM)
Connector Color	WHITE



Terminal No.	Color of Wire	Signal Name
3	G	IGN_COIL

Terminal No.	Color of Wire	Signal Name
4	P	ENG_SUPPLY
6	V	ELEC_THROTTLE
7	BR	ECM_RLY_CONT
8	W/R	O2_SENS
11	Y	A/C_COMPRESSOR
13	R	FUEL_PUMP
17	W/G	INJECTION

Connector No.	E120
Connector Name	IPDM E/R (INTELLIGENT POWER DISTRIBUTION MODULE ENGINE ROOM)
Connector Color	WHITE



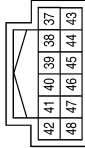
Terminal No.	Color of Wire	Signal Name
20	BR	M/FAN_1
24	P	M/FAN_2

Connector No.	E124
Connector Name	IPDM E/R (INTELLIGENT POWER DISTRIBUTION MODULE ENGINE ROOM)
Connector Color	BLACK



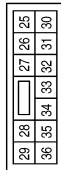
Terminal No.	Color of Wire	Signal Name
59	B	GND (POWER)

Connector No.	E122
Connector Name	IPDM E/R (INTELLIGENT POWER DISTRIBUTION MODULE ENGINE ROOM)
Connector Color	WHITE



Terminal No.	Color of Wire	Signal Name
38	B	GND (SIGNAL)
39	L	CAN-H
40	P	CAN-L
46	V	ECM (FUEL_PUMP_RLY_CONT)
47	O	ECM (ETC_RLY_CONT)

Connector No.	E121
Connector Name	IPDM E/R (INTELLIGENT POWER DISTRIBUTION MODULE ENGINE ROOM)
Connector Color	BROWN



Terminal No.	Color of Wire	Signal Name
30	R/B	ECM_BAT

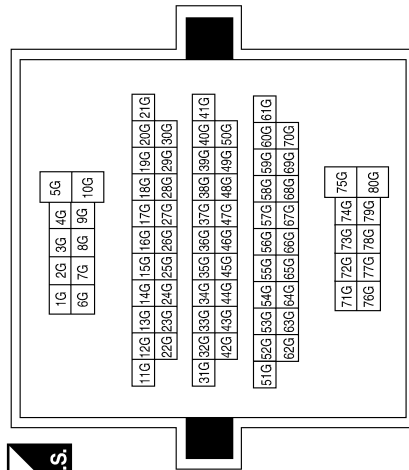
Connector No.	E160
Connector Name	FUSE BLOCK (J/B)
Connector Color	WHITE



Terminal No.	Color of Wire	Signal Name
1Q	W/G	-
8Q	R/B	-

Terminal No.	Color of Wire	Signal Name
41G	W/R	-
42G	B	-
43G	SB	-
48G	W	-
51G	P	-
52G	L	-
56G	G	-

Connector No.	E152
Connector Name	WIRE TO WIRE
Connector Color	WHITE



ABBIA0096GB

A  
EC  
C  
D  
E  
F  
G  
H  
I  
J  
K  
L  
M  
N  
O  
P

Connector No.	E161
Connector Name	BATTERY CURRENT SENSOR
Connector Color	BLACK



Terminal No.	Color of Wire	Signal Name
1	P	POWER_SUPPLY
2	B	GND
3	R	SIGNAL

Connector No.	F5
Connector Name	AIR FUEL RATIO (A/F) SENSOR 1 (BANK1) (WITH VQ40DE)
Connector Color	GRAY



Terminal No.	Color of Wire	Signal Name
1	BR	AF+
2	P	AF-
3	G	HEATER_GND
4	W/R	HEATER_PWR

Connector No.	F6
Connector Name	IGNITION COIL NO. 2 (WITH POWER TRANSISTOR)
Connector Color	GRAY



Terminal No.	Color of Wire	Signal Name
1	G	-
2	B	-
3	LG	-

Connector No.	F7
Connector Name	IGNITION COIL NO. 4 (WITH POWER TRANSISTOR)
Connector Color	GRAY



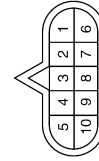
Terminal No.	Color of Wire	Signal Name
1	GR	-
2	B	-
3	W	-

Connector No.	F8
Connector Name	IGNITION COIL NO. 6 (WITH POWER TRANSISTOR)
Connector Color	GRAY



Terminal No.	Color of Wire	Signal Name
1	P	-
2	B	-
3	LG	-

Connector No.	F9
Connector Name	A/T ASSEMBLY (WITH VQ40DE)
Connector Color	GREEN



Terminal No.	Color of Wire	Signal Name
3	L	-
8	P	-



Connector No.	F13
Connector Name	HEATED OXYGEN SENSOR 2 (BANK 1) (WITH VQ40DE)
Connector Color	BLUE



Terminal No.	Color of Wire	Signal Name
1	W	SIGNAL
2	P	HEATED_GND
3	W/R	POWER_SUPPLY
4	GR	GND O2

Connector No.	F12
Connector Name	HEATED OXYGEN SENSOR 2 (BANK 2) (WITH VQ40DE)
Connector Color	GREEN



Terminal No.	Color of Wire	Signal Name
1	G	SIGNAL
2	R	HEATED_GND
3	W/R	POWER_SUPPLY
4	GR	GND O2

Connector No.	F11
Connector Name	CRANKSHAFT POSITION SENSOR (POS) (WITH VQ40DE)
Connector Color	BLACK



Terminal No.	Color of Wire	Signal Name
1	R	POWER_SUPPLY
2	G	SIGNAL
3	BR	GND

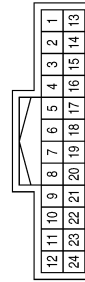
Connector No.	F15
Connector Name	EVAP CANISTER PURGE VOLUME CONTROL SOLENOID VALVE (WITH VQ40DE)
Connector Color	BLUE



Terminal No.	Color of Wire	Signal Name
1	R	-
2	GR	-

Terminal No.	Color of Wire	Signal Name
7	R	-
8	B	-
15	BR	-
16	B	-
17	P	-
18	W	-
19	B	-
20	SB	-
23	GR	-
24	B	-

Connector No.	F14
Connector Name	WIRE TO WIRE
Connector Color	WHITE



Terminal No.	Color of Wire	Signal Name
2	L	-
3	P	-

ABBA0098GB

A  
EC  
C  
D  
E  
F  
G  
H  
I  
J  
K  
L  
M  
N  
O  
P

Connector No.	F18
Connector Name	FUEL INJECTOR NO. 2
Connector Color	GRAY



Terminal No.	Color of Wire	Signal Name
1	W/G	-
2	O	-

Connector No.	F19
Connector Name	VIAS CONTROL SOLENOID VALVE (WITH VQ40DE)
Connector Color	BLACK



Terminal No.	Color of Wire	Signal Name
1	R	-
2	G	-

Connector No.	F20
Connector Name	FUEL INJECTOR NO. 4
Connector Color	GRAY



Terminal No.	Color of Wire	Signal Name
1	W/G	-
2	R	-

Connector No.	F21
Connector Name	CONDENSER-1
Connector Color	WHITE



Terminal No.	Color of Wire	Signal Name
1	W	-
2	B	-

Connector No.	F22
Connector Name	FUEL INJECTOR NO. 6
Connector Color	GRAY



Terminal No.	Color of Wire	Signal Name
1	W/G	-
2	V	-

Connector No.	F23
Connector Name	CAMSHAFT POSITION SENSOR (PHASE) (BANK 2) (WITH VQ40DE)
Connector Color	BLACK



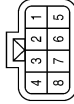
Terminal No.	Color of Wire	Signal Name
1	BR	GND
2	Y	SIGNAL
3	R	POWER_SUPPLY

Connector No.	F24
Connector Name	ENGINE COOLANT TEMPERATURE SENSOR (WITH VQ40DE)
Connector Color	GRAY



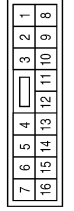
Terminal No.	Color of Wire	Signal Name
1	Y	-
2	B	-

Connector No.	F26
Connector Name	WIRE TO WIRE
Connector Color	GREEN



Terminal No.	Color of Wire	Signal Name
1	Y	-
2	L	-
3	SB	-
4	B	-
5	G	-
6	W	-
7	LG	-
8	R	-

Connector No.	F32
Connector Name	WIRE TO WIRE
Connector Color	WHITE



Terminal No.	Color of Wire	Signal Name
1	W/R	-
2	L	-
3	P	-
9	V	-
10	G	-
11	GR	-
12	BR	-
13	LG	-
16	W/G	-

Connector No.	F44
Connector Name	WIRE TO WIRE
Connector Color	GREEN



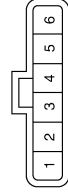
Terminal No.	Color of Wire	Signal Name
1	LG	-
2	SB	-
3	W/G	-
4	W	-

Connector No.	F46
Connector Name	POWER STEERING PRESSURE SENSOR (WITH VQ40DE)
Connector Color	BLACK



Terminal No.	Color of Wire	Signal Name
1	B	GND
2	P	SIGNAL
3	G	POWER_SUPPLY

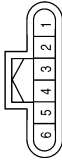
Connector No.	F50
Connector Name	ELECTRIC THROTTLE CONTROL ACTUATOR
Connector Color	BLACK



Terminal No.	Color of Wire	Signal Name
1	W	TPS1
2	L	AVCC2
3	R	TPS2
4	B	GND-A2
5	LW	MOTOR 2 (CLOSE)
6	L/B	MOTOR 1 (OPEN)

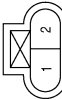
ABBIA0100GB

Connector No.	F53
Connector Name	MASS AIR FLOW SENSOR
Connector Color	BLACK



Terminal No.	Color of Wire	Signal Name
2	LG	POWER_SUPPLY
3	B	QA-
4	P	QA+
5	BR	AT_SEN_SIGNAL
6	B	GND

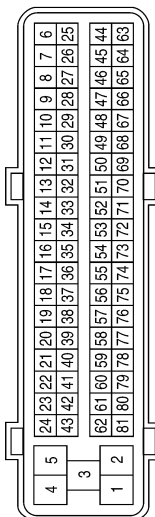
Connector No.	F51
Connector Name	INTAKE VALVE TIMING CONTROL SOLENOID VALVE (BANK 2) (WITH VQ40DE)
Connector Color	GREEN



Terminal No.	Color of Wire	Signal Name
1	W	-
2	R	-

ABBIA0101GB

Connector No.	F54
Connector Name	ECM (WITH VQ40DE)
Connector Color	BLACK



Terminal No.	Color of Wire	Signal Name
1	BR	GND
2	G	AF-H1
3	V	VMOT
4	L/W	MOTOR 2
5	L/B	MOTOR 1
6	R	02HRL
7	-	-
8	-	-
9	-	-
10	W	CVTCL
11	LG	CVTCR
12	P	PSPRES
13	G	POS
14	Y	PHEASE(LH)
15	W	KNK 1
16	BR	AF+2
17	-	-
18	-	-
19	-	-
20	-	-

Terminal No.	Color of Wire	Signal Name
21	W	INJ #5
22	LG	INJ #3
23	SB	INJ #1
24	G	AF-H2
25	P	02HRR
27	-	-
28	-	-
29	G	VIAS
30	-	-
31	-	-
32	W	FTPRS
33	L	PHASE(RH)
34	BR	TA
35	O	AF+1
36	W	KNK 2
37	-	-
38	-	-
39	-	-
40	V	INJ #6
41	R	INJ #4
42	O	INJ #2
43	G	AF-H2
44	-	-
45	R	EVAP
46	-	-
47	L	AVCC 2
48	SB	AVCC
49	P	AVCC(PDPRES)
50	W	TPS 1
51	P	QA+
52	-	-
53	-	-
54	-	-

Terminal No.	Color of Wire	Signal Name
55	G	O2SRL
56	LG	AF-1
57	-	-
58	-	-
59	-	-
60	SB	IGN #5
61	L	IGN #3
62	Y	IGN #1
63	-	-
64	-	-
65	-	-
66	B	GND-A2
67	B	GND-A
68	G	AVCC(PSPRES)
69	R	TPS 2
70	BR	PDPRES
71	R	CURSEN
72	-	-
73	Y	TW
74	W	O2SRR
75	P	AF-2
76	-	-
77	-	-
78	GR	GND-O2
79	P	IGN #6
80	GR	IGN #4
81	G	IGN #2

ABBA0102GB

A  
EC  
C  
D  
E  
F  
G  
H  
I  
J  
K  
L  
M  
N  
O  
P

Connector No.	F67
Connector Name	WIRE TO WIRE
Connector Color	BLUE



Terminal No.	Color of Wire	Signal Name
1	W	-
2	GR	-
3	W	-
4	B	-

Connector No.	F66
Connector Name	CAMSHAFT POSITION SENSOR (PHASE) (BANK 1) (WITH VQ40DE)
Connector Color	GREEN



Terminal No.	Color of Wire	Signal Name
1	BR	GND
2	L	SIGNAL
3	R	POWER_SUPPLY

Connector No.	F65
Connector Name	AIR FUEL RATIO (A/F) SENSOR 1 (BANK 2) (WITH VQ40DE)
Connector Color	GRAY



Terminal No.	Color of Wire	Signal Name
1	O	AF+
2	LG	AF-
3	G	HEATER_GND
4	W/R	HEATER_PWR

Connector No.	F203
Connector Name	FUEL INJECTOR NO. 3 (WITH VQ40DE)
Connector Color	GRAY



Terminal No.	Color of Wire	Signal Name
1	W/G	-
2	V	-

Connector No.	F202
Connector Name	FUEL INJECTOR NO. 1 (WITH VQ40DE)
Connector Color	GRAY



Terminal No.	Color of Wire	Signal Name
1	W/G	-
2	G	-

Connector No.	F201
Connector Name	WIRE TO WIRE
Connector Color	GREEN



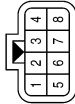
Terminal No.	Color of Wire	Signal Name
1	V	-
2	G	-
3	W/G	-
4	L	-

Connector No.	F204
Connector Name	FUEL INJECTOR NO. 5 (WITH VQ40DE)
Connector Color	GRAY



Terminal No.	Color of Wire	Signal Name
1	W/G	-
2	L	-

Connector No.	F225
Connector Name	WIRE TO WIRE
Connector Color	GREEN



Terminal No.	Color of Wire	Signal Name
1	Y	-
2	L	-
3	V	-
4	B	-
5	O	-
6	W	-
7	LG	-
8	R	-

Connector No.	F226
Connector Name	IGNITION COIL NO. 1 (WITH POWER TRANSISTOR) (WITH VQ40DE)
Connector Color	GRAY



Terminal No.	Color of Wire	Signal Name
1	Y	-
2	B	-
3	O	-

Connector No.	F227
Connector Name	IGNITION COIL NO. 3 (WITH POWER TRANSISTOR) (WITH VQ40DE)
Connector Color	GRAY



Terminal No.	Color of Wire	Signal Name
1	L	-
2	B	-
3	W	-

Connector No.	F228
Connector Name	IGNITION COIL NO. 5 (WITH POWER TRANSISTOR) (WITH VQ40DE)
Connector Color	GRAY



Terminal No.	Color of Wire	Signal Name
1	V	-
2	B	-
3	W	-

Connector No.	F229
Connector Name	INTAKE VALVE TIMING CONTROL SOLENOID VALVE (BANK 1) (WITH VQ40DE)
Connector Color	GREEN



Terminal No.	Color of Wire	Signal Name
1	LG	-
2	R	-

ABBIA0104GB

Connector No.	F252
Connector Name	KNOCK SENSOR (BANK2)
Connector Color	BLACK



Terminal No.	Color of Wire	Signal Name
1	W	KNK
2	B	GND

Connector No.	F251
Connector Name	KNOCK SENSOR (BANK 1)
Connector Color	BLACK



Terminal No.	Color of Wire	Signal Name
1	W	KNK
2	GR	GND

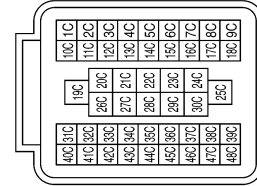
Connector No.	F250
Connector Name	WIRE TO WIRE
Connector Color	BLUE



Terminal No.	Color of Wire	Signal Name
1	W	-
2	GR	-
3	W	-
4	B	-

Terminal No.	Color of Wire	Signal Name
1C	Y	-
10C	W	-
11C	B	-
12C	SB	-
26C	G	-
27C	W	-
28C	R	-
29C	B	-

Connector No.	C1
Connector Name	WIRE TO WIRE
Connector Color	BLACK



Connector No.	F502
Connector Name	TCM (TRANSMISSION CONTROL MODULE)
Connector Color	GRAY



Terminal No.	Color of Wire	Signal Name
1	BR	CAN-H
2	L/Y	CAN-L



A  
EC  
C  
D  
E  
F  
G  
H  
I  
J  
K  
L  
M  
N  
O  
P

Connector No.	C7
Connector Name	EVAP CONTROL SYSTEM PRESSURE SENSOR
Connector Color	GRAY



Terminal No.	Color of Wire	Signal Name
1	B	-
2	W	-
3	SB	-

Connector No.	C6
Connector Name	EVAP CANISTER VENT CONTROL VALVE
Connector Color	BLACK



Terminal No.	Color of Wire	Signal Name
1	W	-
2	G	-

Connector No.	C5
Connector Name	FUEL LEVEL SENSOR UNIT AND FUEL PUMP
Connector Color	GRAY



Terminal No.	Color of Wire	Signal Name
1	R	-
3	B	-
4	Y	-

ABBIA0154GB

INFOID:000000004297660

### Fail-Safe Chart

When the DTC listed below is detected, the ECM enters the fail-safe mode and the MIL illuminates.

# ECM

< ECU DIAGNOSIS >

[VQ40DE]

DTC No.	Detected items	Engine operating condition in fail-safe mode	
P0102 P0103	Mass air flow sensor circuit	Engine speed will not rise more than 2,400 rpm due to the fuel cut.	
P0117 P0118	Engine coolant temperature sensor circuit	Engine coolant temperature will be determined by ECM based on the following condition. CONSULT-III displays the engine coolant temperature decided by ECM.	
		Condition	Engine coolant temperature decided (CONSULT-III display)
		Just as ignition switch is turned ON or START	40°C (104°F)
		Approx. 4 minutes after engine starting	80°C (176°F)
		Except as shown above	40 - 80°C (104 - 176°F) (Depends on the time)
		When the fail-safe system for engine coolant temperature sensor is activated, the cooling fan operates while engine is running.	
P0122 P0123 P0222 P0223 P2135	Throttle position sensor	The ECM controls the electric throttle control actuator in regulating the throttle opening in order for the idle position to be within +10 degrees. The ECM regulates the opening speed of the throttle valve to be slower than the normal condition. Therefore, the acceleration will be poor.	
P0643	Sensor power supply	ECM stops the electric throttle control actuator control, throttle valve is maintained at a fixed opening (approx. 5 degrees) by the return spring.	
P2100 P2103	Throttle control motor relay	ECM stops the electric throttle control actuator control, throttle valve is maintained at a fixed opening (approx. 5 degrees) by the return spring.	
P2101	Electric throttle control function	ECM stops the electric throttle control actuator control, throttle valve is maintained at a fixed opening (approx. 5 degrees) by the return spring.	
P2118	Throttle control motor	ECM stops the electric throttle control actuator control, throttle valve is maintained at a fixed opening (approx. 5 degrees) by the return spring.	
P2119	Electric throttle control actuator	(When electric throttle control actuator does not function properly due to the return spring malfunction:) ECM controls the electric throttle actuator because of regulating the throttle opening around the idle position. The engine speed will not rise more than 2,000 rpm.	
		(When throttle valve opening angle in fail-safe mode is not in specified range:) ECM controls the electric throttle control actuator by regulating the throttle opening to 20 degrees or less.	
		(When ECM detects the throttle valve is stuck open:) While the vehicle is being driven, it slows down gradually by fuel cut. After the vehicle stops, the engine stalls. The engine can restart in N or P position, and engine speed will not exceed 1,000 rpm or more.	
P2122 P2123 P2127 P2128 P2138	Accelerator pedal position sensor	The ECM controls the electric throttle control actuator in regulating the throttle opening in order for the idle position to be within +10 degrees. The ECM regulates the opening speed of the throttle valve to be slower than the normal condition. Therefore, the acceleration will be poor.	

- When there is an open circuit on MIL circuit, the ECM cannot warn the driver by lighting up MIL when there is malfunction on engine control system. Therefore, when electrical controlled throttle and part of ECM related diagnoses are continuously detected as NG for 5 trips, ECM warns the driver that engine control system malfunctions and MIL circuit is open by means of operating fail-safe function. The fail-safe function also operates when above diagnoses except MIL circuit are detected and demands the driver to repair the malfunction.

Engine operating condition in fail-safe mode	Engine speed will not rise more than 2,500 rpm due to the fuel cut
--	--

## DTC Inspection Priority Chart

INFOID:000000004297661

If some DTCs are displayed at the same time, perform inspections one by one based on the following priority chart.

**NOTE:**

- If DTC UXXXX is displayed with other DTC, first perform the trouble diagnosis for DTC UXXXX.
- If DTC P0607 is displayed with other DTC, first perform the trouble diagnosis for DTC P0607. Refer to [EC-301, "Description"](#).

Priority	Detected items (DTC)
1	<ul style="list-style-type: none"> <li>• U0101 U1001 CAN communication line</li> <li>• P0101 P0102 P0103 Mass air flow sensor</li> <li>• P0112 P0113 P0127 Intake air temperature sensor</li> <li>• P0116 P0117 P0118 P0125 Engine coolant temperature sensor</li> <li>• P0122 P0123 P0222 P0223 P1225 P1226 P2135 Throttle position sensor</li> <li>• P0128 Thermostat function</li> <li>• P0181 P0182 P0183 Fuel tank temperature sensor</li> <li>• P0327 P0328 P0332 P0333 Knock sensor</li> <li>• P0335 Crankshaft position sensor (POS)</li> <li>• P0340 P0345 Camshaft position sensor (PHASE)</li> <li>• P0460 P0461 P0462 P0463 Fuel level sensor</li> <li>• P0500 Vehicle speed sensor</li> <li>• P0605 P607 ECM</li> <li>• P0643 Sensor power supply</li> <li>• P0700 TCM</li> <li>• P0705 P0850 Park/Neutral position (PNP) switch</li> <li>• P1550 P1551 P1552 P1553 P1554 Battery current sensor</li> <li>• P1610 - P1615 NATS</li> <li>• P2122 P2123 P2127 P2128 P2138 Accelerator pedal position sensor</li> </ul>
2	<ul style="list-style-type: none"> <li>• P0031 P0032 P0051 P0052 Air fuel ratio (A/F) sensor 1 heater</li> <li>• P0037 P0038 P0057 P0058 Heated oxygen sensor 2 heater</li> <li>• P0075 P0081 Intake valve timing control solenoid valve</li> <li>• P0130 P0131 P0132 P0133 P0150 P0151 P0152 P0153 P2A00 P2A03 Air fuel ratio (A/F) sensor 1</li> <li>• P0137 P0138 P0139 P0157 P0158 P0159 Heated oxygen sensor 2</li> <li>• P0441 EVAP control system purge flow monitoring</li> <li>• P0443 P0444 P0445 EVAP canister purge volume control solenoid valve</li> <li>• P0447 P0448 EVAP canister vent control valve</li> <li>• P0451 P0452 P0453 EVAP control system pressure sensor</li> <li>• P0550 Power steering pressure sensor</li> <li>• P0603 ECM power supply</li> <li>• P0710 P0717 P0720 P0731 P0732 P0733 P0734 P0735 P0740 P0744 P0745 P1730 P1752 P1757 P1762 P1767 P1772 P1774 A/T related sensors, solenoid valves and switches</li> <li>• P1217 Engine over temperature (OVERHEAT)</li> <li>• P1800 VIAS control solenoid valve</li> <li>• P1805 Brake switch</li> <li>• P2100 P2103 P2118 Electric throttle control actuator</li> <li>• P2101 Electric throttle control function</li> </ul>
3	<ul style="list-style-type: none"> <li>• P0011 P0021 Intake valve timing control</li> <li>• P0171 P0172 P0174 P0175 Fuel injection system function</li> <li>• P0300 - P0306 Misfire</li> <li>• P0420 P0430 Three way catalyst function</li> <li>• P0442 P0455 P0456 EVAP control system</li> <li>• P0506 P0507 Idle speed control system</li> <li>• P1148 P1168 Closed loop control</li> <li>• P1211 TCS control unit</li> <li>• P1212 TCS communication line</li> <li>• P1421 Cold start control</li> <li>• P1564 ASCD steering switch</li> <li>• P1572 ASCD brake switch</li> <li>• P1574 ASCD vehicle speed sensor</li> <li>• P2119 Electric throttle control actuator</li> </ul>

## DTC Index

## EMISSION-RELATED DIAGNOSTIC INFORMATION ITEMS

x: Applicable —: Not applicable

Items (CONSULT-III screen terms)	DTC*1		SRT code	Trip	MIL	Reference page
	CONSULT-III GST*2	ECM*3				
LOST COMM (TCM)	U0101	0101*5	—	1	×	<a href="#">EC-96</a>
CAN COMM CIRCUIT	U1001	1001*5	—	2	—	<a href="#">EC-97</a>
<b>NO DTC IS DETECTED. FURTHER TESTING MAY BE REQUIRED.</b>	<b>P0000</b>	<b>0000</b>	—	—	<b>Blinking*7</b>	<a href="#">EC-65</a>
INT/V TIM CONT-B1	P0011	0011	—	2	×	<a href="#">EC-98</a>
INT/V TIM CONT-B2	P0021	0021	—	2	×	<a href="#">EC-98</a>
A/F SEN1 HTR (B1)	P0031	0031	—	2	×	<a href="#">EC-101</a>
A/F SEN1 HTR (B1)	P0032	0032	—	2	×	<a href="#">EC-101</a>
HO2S2 HTR (B1)	P0037	0037	—	2	×	<a href="#">EC-104</a>
HO2S2 HTR (B1)	P0038	0038	—	2	×	<a href="#">EC-104</a>
A/F SEN1 HTR (B2)	P0051	0051	—	2	×	<a href="#">EC-101</a>
A/F SEN1 HTR (B2)	P0052	0052	—	2	×	<a href="#">EC-101</a>
HO2S2 HTR (B2)	P0057	0057	—	2	×	<a href="#">EC-104</a>
HO2S2 HTR (B2)	P0058	0058	—	2	×	<a href="#">EC-104</a>
INT/V TIM V/CIR-B1	P0075	0075	—	2	×	<a href="#">EC-108</a>
INT/V TIM V/CIR-B2	P0081	0081	—	2	×	<a href="#">EC-108</a>
MAF SEN/CIRCUIT-B1	P0101	0101	—	2	×	<a href="#">EC-111</a>
MAF SEN/CIRCUIT-B1	P0102	0102	—	1	×	<a href="#">EC-117</a>
MAF SEN/CIRCUIT-B1	P0103	0103	—	1	×	<a href="#">EC-117</a>
IAT SEN/CIRCUIT-B1	P0112	0112	—	2	×	<a href="#">EC-122</a>
IAT SEN/CIRCUIT-B1	P0113	0113	—	2	×	<a href="#">EC-122</a>
ECT SEN/CIRC	P0116	0116	—	2	×	<a href="#">EC-125</a>
ECT SEN/CIRC	P0117	0117	—	1	×	<a href="#">EC-128</a>
ECT SEN/CIRC	P0118	0118	—	1	×	<a href="#">EC-128</a>
TP SEN 2/CIRC-B1	P0122	0122	—	1	×	<a href="#">EC-132</a>
TP SEN 2/CIRC-B1	P0123	0123	—	1	×	<a href="#">EC-132</a>
ECT SENSOR	P0125	0125	—	2	×	<a href="#">EC-136</a>
IAT SENSOR-B1	P0127	0127	—	2	×	<a href="#">EC-139</a>
THERMSTAT FNCTN	P0128	0128	—	2	×	<a href="#">EC-142</a>
A/F SENSOR1 (B1)	P0130	0130	—	2	×	<a href="#">EC-144</a>
A/F SENSOR1 (B1)	P0131	0131	—	2	×	<a href="#">EC-148</a>
A/F SENSOR1 (B1)	P0132	0132	—	2	×	<a href="#">EC-152</a>
A/F SENSOR1 (B1)	P0133	0133	×	2	×	<a href="#">EC-156</a>
HO2S2 (B1)	P0137	0137	×	2	×	<a href="#">EC-161</a>
HO2S2 (B1)	P0138	0138	×	2	×	<a href="#">EC-167</a>
HO2S2 (B1)	P0139	0139	×	2	×	<a href="#">EC-175</a>
A/F SENSOR1 (B2)	P0150	0150	—	2	×	<a href="#">EC-144</a>
A/F SENSOR1 (B2)	P0151	0151	—	2	×	<a href="#">EC-148</a>

## ECM

&lt; ECU DIAGNOSIS &gt;

[VQ40DE]

Items (CONSULT-III screen terms)	DTC*1		SRT code	Trip	MIL	Reference page
	CONSULT-III GST*2	ECM*3				
A/F SENSOR1 (B2)	P0152	0152	—	2	×	<a href="#">EC-152</a>
A/F SENSOR1 (B2)	P0153	0153	×	2	×	<a href="#">EC-156</a>
HO2S2 (B2)	P0157	0157	×	2	×	<a href="#">EC-161</a>
HO2S2 (B2)	P0158	0158	×	2	×	<a href="#">EC-167</a>
HO2S2 (B2)	P0159	0159	×	2	×	<a href="#">EC-175</a>
FUEL SYS-LEAN-B1	P0171	0171	—	2	×	<a href="#">EC-181</a>
FUEL SYS-RICH-B1	P0172	0172	—	2	×	<a href="#">EC-187</a>
FUEL SYS-LEAN-B2	P0174	0174	—	2	×	<a href="#">EC-181</a>
FUEL SYS-RICH-B2	P0175	0175	—	2	×	<a href="#">EC-187</a>
FTT SENSOR	P0181	0181	—	2	×	<a href="#">EC-193</a>
FTT SEN/CIRCUIT	P0182	0182	—	2	×	<a href="#">EC-196</a>
FTT SEN/CIRCUIT	P0183	0183	—	2	×	<a href="#">EC-196</a>
TP SEN 1/CIRC-B1	P0222	0222	—	1	×	<a href="#">EC-199</a>
TP SEN 1/CIRC-B1	P0223	0223	—	1	×	<a href="#">EC-199</a>
MULTI CYL MISFIRE	P0300	0300	—	2	×	<a href="#">EC-203</a>
CYL 1 MISFIRE	P0301	0301	—	2	×	<a href="#">EC-203</a>
CYL 2 MISFIRE	P0302	0302	—	2	×	<a href="#">EC-203</a>
CYL 3 MISFIRE	P0303	0303	—	2	×	<a href="#">EC-203</a>
CYL 4 MISFIRE	P0304	0304	—	2	×	<a href="#">EC-203</a>
CYL 5 MISFIRE	P0305	0305	—	2	×	<a href="#">EC-203</a>
CYL 6 MISFIRE	P0306	0306	—	2	×	<a href="#">EC-203</a>
KNOCK SEN/CIRC-B1	P0327	0327	—	2	—	<a href="#">EC-210</a>
KNOCK SEN/CIRC-B1	P0328	0328	—	2	—	<a href="#">EC-210</a>
KNOCK SEN/CIRC-B2	P0332	0332	—	2	—	<a href="#">EC-210</a>
KNOCK SEN/CIRC-B2	P0333	0333	—	2	—	<a href="#">EC-210</a>
CKP SEN/CIRCUIT	P0335	0335	—	2	×	<a href="#">EC-213</a>
CMP SEN/CIRC-B1	P0340	0340	—	2	×	<a href="#">EC-217</a>
CMP SEN/CIRC-B2	P0345	0345	—	2	×	<a href="#">EC-217</a>
TW CATALYST SYS-B1	P0420	0420	×	2	×	<a href="#">EC-221</a>
TW CATALYST SYS-B2	P0430	0430	×	2	×	<a href="#">EC-221</a>
EVAP PURG FLOW/MON	P0441	0441	×	2	×	<a href="#">EC-226</a>
EVAP SMALL LEAK	P0442	0442	×	2	×	<a href="#">EC-231</a>
PURG VOLUME CONT/V	P0443	0443	—	2	×	<a href="#">EC-238</a>
PURG VOLUME CONT/V	P0444	0444	—	2	×	<a href="#">EC-243</a>
PURG VOLUME CONT/V	P0445	0445	—	2	×	<a href="#">EC-243</a>
VENT CONTROL VALVE	P0447	0447	—	2	×	<a href="#">EC-246</a>
VENT CONTROL VALVE	P0448	0448	—	2	×	<a href="#">EC-250</a>
EVAP SYS PRES SEN	P0451	0451	—	2	×	<a href="#">EC-255</a>
EVAP SYS PRES SEN	P0452	0452	—	2	×	<a href="#">EC-258</a>
EVAP SYS PRES SEN	P0453	0453	—	2	×	<a href="#">EC-262</a>
EVAP GROSS LEAK	P0455	0455	—	2	×	<a href="#">EC-267</a>
EVAP VERY SML LEAK	P0456	0456	×*4	2	×	<a href="#">EC-274</a>

## ECM

&lt; ECU DIAGNOSIS &gt;

[VQ40DE]

Items (CONSULT-III screen terms)	DTC*1		SRT code	Trip	MIL	Reference page
	CONSULT-III GST*2	ECM*3				
FUEL LEV SEN SLOSH	P0460	0460	—	2	×	<a href="#">EC-282</a>
FUEL LEVEL SENSOR	P0461	0461	—	2	×	<a href="#">EC-284</a>
FUEL LEVL SEN/CIRC	P0462	0462	—	2	×	<a href="#">EC-286</a>
FUEL LEVEL SEN/CIRC	P0463	0463	—	2	×	<a href="#">EC-286</a>
VEH SPEED SEN/CIRC	P0500	0500	—	2	×	<a href="#">EC-288</a>
ISC SYSTEM	P0506	0506	—	2	×	<a href="#">EC-290</a>
ISC SYSTEM	P0507	0507	—	2	×	<a href="#">EC-292</a>
PW ST P SEN/CIRC	P0550	0550	—	2	—	<a href="#">EC-294</a>
ECM BACK UP/CIRCUIT	P0603	0603	—	2	×	<a href="#">EC-297</a>
ECM	P0605	0605	—	1 or 2	× or —	<a href="#">EC-299</a>
ECM	P0607	0607	—	1	×	<a href="#">EC-301</a>
SENSOR POWER/CIRCUIT	P0643	0643	—	1	×	<a href="#">EC-302</a>
TCM	P0700	0700	—	1	×	<a href="#">TM-50</a>
PNP SW/CIRC	P0705	0705	—	2	×	<a href="#">TM-51</a>
ATF TEMP SEN/CIRC*7	P0710	0710	—	2	×	<a href="#">TM-78</a>
TURBINE SENSOR	P0717	0717	—	2	×	<a href="#">TM-53</a>
VEH SPD SEN/CIR AT	P0720	0720	—	2	×	<a href="#">TM-55</a>
A/T 1ST GR FNCTN*7	P0731	0731	—	2	×	<a href="#">TM-60</a>
A/T 2ND GR FNCTN*7	P0732	0732	—	2	×	<a href="#">TM-62</a>
A/T 3RD GR FNCTN*7	P0733	0733	—	2	×	<a href="#">TM-64</a>
A/T 4TH GR FNCTN*7	P0734	0734	—	2	×	<a href="#">TM-66</a>
A/T 5TH GR FNCTN*7	P0735	0735	—	2	×	<a href="#">TM-68</a>
TCC SOLENOID/CIRC	P0740	0740	—	2	×	<a href="#">TM-70</a>
A/T TCC S/V FNCTN	P0744	0744	—	2	×	<a href="#">TM-72</a>
L/PRESS SOL/CIRC	P0745	0745	—	2	×	<a href="#">TM-74</a>
P-N POS SW/CIRCUIT	P0850	0850	—	2	×	<a href="#">EC-305</a>
CLOSED LOOP-B1	P1148	1148	—	1	×	<a href="#">EC-307</a>
CLOSED LOOP-B2	P1168	1168	—	1	×	<a href="#">EC-307</a>
TCS C/U FUNCTN	P1211	1211	—	2	—	<a href="#">EC-308</a>
TCS/CIRC	P1212	1212	—	2	—	<a href="#">EC-309</a>
ENG OVER TEMP	P1217	1217	—	1	×	<a href="#">EC-310</a>
CTP LEARNING-B1	P1225	1225	—	2	—	<a href="#">EC-314</a>
CTP LEARNING-B1	P1226	1226	—	2	—	<a href="#">EC-316</a>
COLD START CONTROL	P1421	1421	—	2	×	<a href="#">EC-318</a>
BAT CURRENT SENSOR	P1550	1550	—	2	—	<a href="#">EC-320</a>
BAT CURRENT SENSOR	P1551	1551	—	2	—	<a href="#">EC-324</a>
BAT CURRENT SENSOR	P1552	1552	—	2	—	<a href="#">EC-324</a>
BAT CURRENT SENSOR	P1553	1553	—	2	—	<a href="#">EC-328</a>
BAT CURRENT SENSOR	P1554	1554	—	2	—	<a href="#">EC-332</a>
ASCD SW	P1564	1564	—	1	—	<a href="#">EC-336</a>
ASCD BRAKE SW	P1572	1572	—	1	—	<a href="#">EC-340</a>

# ECM

< ECU DIAGNOSIS >

[VQ40DE]

Items (CONSULT-III screen terms)	DTC*1		SRT code	Trip	MIL	Reference page
	CONSULT-III GST*2	ECM*3				
ASCD VHL SPD SEN	P1574	1574	—	1	—	<a href="#">EC-345</a>
LOCK MODE	P1610	1610	—	2	—	<a href="#">SEC-40</a> or <a href="#">SEC-143</a>
ID DISCARD IMM-ECM	P1611	1611	—	2	—	<a href="#">SEC-34</a> or <a href="#">SEC-140</a>
CHAIN OF ECM-IMMU	P1612	1612	—	2	—	<a href="#">SEC-36</a> or <a href="#">SEC-142</a>
CHAIN OF IMMU-KEY	P1614	1614	—	2	—	<a href="#">SEC-30</a> or <a href="#">SEC-136</a>
DIFFERENCE OF KEY	P1615	1615	—	2	—	<a href="#">SEC-33</a> or <a href="#">SEC-139</a>
IN PLUY SPEED	P1715	1715	—	2	—	<a href="#">EC-347</a>
A/T INTERLOCK	P1730	1730	—	1	×	<a href="#">TM-82</a>
I/C SOLENOID/CIRC	P1752	1752	—	1	×	<a href="#">TM-86</a>
FR/B SOLENOID/CIRC	P1757	1757	—	1	×	<a href="#">TM-88</a>
D/C SOLENOID/CIRC	P1762	1762	—	1	×	<a href="#">TM-90</a>
HLR/C SOL/CIRC	P1767	1767	—	1	×	<a href="#">TM-92</a>
LC/B SOLENOID/CIRC	P1772	1772	—	1	×	<a href="#">TM-94</a>
LC/B SOLENOID FNCT	P1774	1774	—	1	×	<a href="#">TM-96</a>
VIAS S/V-1	P1800	1800	—	2	—	<a href="#">EC-348</a>
BRAKE SW/CIRCUIT	P1805	1805	—	2	—	<a href="#">EC-351</a>
ETC MOT PWR-B1	P2100	2100	—	1	×	<a href="#">EC-354</a>
ETC FUNCTION/CIRC-B1	P2101	2101	—	1	×	<a href="#">EC-357</a>
ETC MOT PWR	P2103	2103	—	1	×	<a href="#">EC-354</a>
ETC MOT-B1	P2118	2118	—	1	×	<a href="#">EC-361</a>
ETC ACTR-B1	P2119	2119	—	1	×	<a href="#">EC-363</a>
APP SEN 1/CIRC	P2122	2122	—	1	×	<a href="#">EC-365</a>
APP SEN 1/CIRC	P2123	2123	—	1	×	<a href="#">EC-365</a>
APP SEN 2/CIRC	P2127	2127	—	1	×	<a href="#">EC-368</a>
APP SEN 2/CIRC	P2128	2128	—	1	×	<a href="#">EC-368</a>
TP SENSOR-B1	P2135	2135	—	1	×	<a href="#">EC-372</a>
APP SENSOR	P2138	2138	—	1	×	<a href="#">EC-376</a>
A/F SENSOR1 (B1)	P2A00	2A00	—	2	×	<a href="#">EC-380</a>
A/F SENSOR1 (B2)	P2A03	2A03	—	2	×	<a href="#">EC-380</a>

\*1: 1st trip DTC No. is the same as DTC No.

\*2: This number is prescribed by SAE J2012.

\*3: In Diagnostic Test Mode II (Self-diagnostic results), this number is controlled by NISSAN.

\*4: SRT code will not be set if the self-diagnostic result is NG.

\*5: The troubleshooting for this DTC need CONSULT-III.

\*6: When the ECM is in the mode of that displays SRT status, MIL may blink. For the details, refer to "How to Display SRT Status".

\*7: When erasing this DTC, always use CONSULT-III or GST.

## Emission-related Diagnostic Information

INFOID:000000004297663

### DTC AND 1ST TRIP DTC

## &lt; ECU DIAGNOSIS &gt;

The 1st trip DTC (whose number is the same as the DTC number) is displayed for the latest self-diagnostic result obtained. If the ECM memory was cleared previously, and the 1st trip DTC did not reoccur, the 1st trip DTC will not be displayed.

If a malfunction is detected during the 1st trip, the 1st trip DTC is saved in the ECM memory. The MIL will not illuminate (two trip detection logic). If the same malfunction is not detected in the 2nd trip (meeting the required driving pattern), the 1st trip DTC is cleared from the ECM memory. If the same malfunction is detected in the 2nd trip, both the 1st trip DTC and DTC are saved in the ECM memory and the MIL illuminates. In other words, the DTC is saved in the ECM memory and the MIL illuminates when the same malfunction occurs in two consecutive trips. If a 1st trip DTC is saved and a non-diagnostic operation is performed between the 1st and 2nd trips, only the 1st trip DTC will continue to be saved. For malfunctions that blink or illuminate the MIL during the 1st trip, the DTC and 1st trip DTC are saved in the ECM memory.

Procedures for clearing the DTC and the 1st trip DTC from the ECM memory are described in "HOW TO ERASE EMISSION-RELATED DIAGNOSTIC INFORMATION".

For malfunctions in which 1st trip DTCs are displayed, refer to "EMISSION-RELATED DIAGNOSTIC INFORMATION ITEMS". These items are required by legal regulations to continuously monitor the system/component. In addition, the items monitored non-continuously are also displayed on CONSULT-III.

1st trip DTC is specified in Service \$07 of SAE J1979. 1st trip DTC detection occurs without illuminating the MIL and therefore does not warn the driver of a malfunction. However, 1st trip DTC detection will not prevent the vehicle from being tested, for example during Inspection/Maintenance (I/M) tests.

When a 1st trip DTC is detected, check, print out or write down and erase (1st trip) DTC and Freeze Frame data as specified in Work Flow procedure Step 2, refer to [EC-14, "Trouble Diagnosis Introduction"](#). Then perform DTC Confirmation Procedure or Overall Function Check to try to duplicate the malfunction. If the malfunction is duplicated, the item requires repair.

How to Read DTC and 1st Trip DTC

DTC and 1st trip DTC can be read by the following methods.

 **With CONSULT-III**

 **With GST**

CONSULT-III or GST (Generic Scan Tool) Examples: P0340, P0850, P1148, etc.

These DTCs are prescribed by SAE J2012.

(CONSULT-III also displays the malfunctioning component or system.)

 **No Tools**

The number of blinks of the MIL in the Diagnostic Test Mode II (Self-Diagnostic Results) indicates the DTC. Example: 0340, 0850, 1148, etc.

These DTCs are controlled by NISSAN.

- **1st trip DTC No. is the same as DTC No.**
- **Output of a DTC indicates a malfunction. However, GST and the Diagnostic Test Mode II do not indicate whether the malfunction is still occurring or has occurred in the past and has returned to normal. CONSULT-III can identify malfunction status as shown below. Therefore, using CONSULT-III (if available) is recommended.**

DTC or 1st trip DTC of a malfunction is displayed in SELF-DIAGNOSTIC RESULTS mode of CONSULT-III.

Time data indicates how many times the vehicle was driven after the last detection of a DTC.

If the DTC is being detected currently, the time data will be [0].

If a 1st trip DTC is saved in the ECM, the time data will be [1t].

### FREEZE FRAME DATA AND 1ST TRIP FREEZE FRAME DATA

The ECM records the driving conditions such as fuel system status, calculated load value, engine coolant temperature, short term fuel trim, long term fuel trim, engine speed, vehicle speed, absolute throttle position, base fuel schedule and intake air temperature at the moment a malfunction is detected.

Data which are saved in the ECM memory, along with the 1st trip DTC, are called 1st trip freeze frame data. The data, saved together with the DTC data, are called freeze frame data and displayed on CONSULT-III or GST. The 1st trip freeze frame data can only be displayed on the CONSULT-III screen, not on the GST. For details, see [EC-73, "CONSULT-III Function \(ENGINE\)"](#).

Only one set of freeze frame data (either 1st trip freeze frame data or freeze frame data) can be saved in the ECM. 1st trip freeze frame data is saved in the ECM memory along with the 1st trip DTC. There is no priority for 1st trip freeze frame data and it is updated each time a different 1st trip DTC is detected. However, once freeze frame data (2nd trip detection/MIL on) is saved in the ECM memory, 1st trip freeze frame data is no longer saved. Remember, only one set of freeze frame data can be saved in the ECM. The ECM has the following priorities to update the data.



Priority	Items	
1	Freeze frame data	Misfire — DTC: P0300 - P0306 Fuel Injection System Function — DTC: P0171, P0172, P0174, P0175
2		Except the above items (Includes A/T related items)
3	1st trip freeze frame data	

For example, the EGR malfunction (Priority: 2) was detected and the freeze frame data was saved in the 2nd trip. After that when the misfire (Priority: 1) is detected in another trip, the freeze frame data will be updated from the EGR malfunction to the misfire. The 1st trip freeze frame data is updated each time a different malfunction is detected. There is no priority for 1st trip freeze frame data. However, once freeze frame data is saved in the ECM memory, 1st trip freeze data is no longer saved (because only one freeze frame data or 1st trip freeze frame data can be saved in the ECM). If freeze frame data is saved in the ECM memory and freeze frame data with the same priority occurs later, the first (original) freeze frame data remains unchanged in the ECM memory.

Both 1st trip freeze frame data and freeze frame data (along with the DTCs) are cleared when the ECM memory is erased. Procedures for clearing the ECM memory are described in "HOW TO ERASE EMISSION-RELATED DIAGNOSTIC INFORMATION".

### SYSTEM READINESS TEST (SRT) CODE

System Readiness Test (SRT) code is specified in Service \$01 of SAE J1979.

As part of an enhanced emissions test for Inspection & Maintenance (I/M), certain states require the status of SRT be used to indicate whether the ECM has completed self-diagnosis of major emission systems and components. Completion must be verified in order for the emissions inspection to proceed.

If a vehicle is rejected for a State emissions inspection due to one or more SRT items indicating "INCMP", use the information in this Service Manual to set the SRT to "CMPLT".

In most cases the ECM will automatically complete its self-diagnosis cycle during normal usage, and the SRT status will indicate "CMPLT" for each application system. Once set as "CMPLT", the SRT status remains "CMPLT" until the self-diagnosis memory is erased.

Occasionally, certain portions of the self-diagnostic test may not be completed as a result of the customer's normal driving pattern; the SRT will indicate "INCMP" for these items.

#### NOTE:

The SRT will also indicate "INCMP" if the self-diagnosis memory is erased for any reason or if the ECM memory power supply is interrupted for several hours.

If, during the state emissions inspection, the SRT indicates "CMPLT" for all test items, the inspector will continue with the emissions test. However, if the SRT indicates "INCMP" for one or more of the SRT items the vehicle is returned to the customer untested.

#### NOTE:

If MIL is ON during the state emissions inspection, the vehicle is also returned to the customer untested even though the SRT indicates "CMPLT" for all test items. Therefore, it is important to check SRT ("CMPLT") and DTC (No DTCs) before the inspection.

#### SRT Item

The table below shows required self-diagnostic items to set the SRT to "CMPLT".

SRT item (CONSULT-III indication)	Performance Priority*1	Required self-diagnostic items to set the SRT to "CMPLT"	Corresponding DTC No.
CATALYST	2	Three way catalyst function	P0420, P0430
EVAP SYSTEM	2	EVAP control system purge flow monitoring	P0441
	1	EVAP control system	P0442
	2	EVAP control system	P0456
HO2S	1	Air fuel ratio (A/F) sensor 1	P0133, P0153
		Heated oxygen sensor 2	P0137, P0157
		Heated oxygen sensor 2	P0138, P0158
		Heated oxygen sensor 2	P0139, P0159

\*1: If completion of several SRTs is required, perform driving patterns (DTC confirmation procedure), one by one based on the priority for models with CONSULT-III.

## &lt; ECU DIAGNOSIS &gt;

## SRT Set Timing

SRT is set as "CMPLT" after self-diagnosis has been performed one or more times. Completion of SRT is done regardless of whether the result is OK or NG. The set timing is different between OK and NG results and is shown in the table below.

Self-diagnosis result		Example				
		Diagnosis	Ignition cycle			
			← ON → OFF	← ON → OFF	← ON → OFF	← ON →
All OK	Case 1	P0400	OK (1)	— (1)	OK (2)	— (2)
		P0402	OK (1)	— (1)	— (1)	OK (2)
		P1402	OK (1)	OK (2)	— (2)	— (2)
		SRT of EGR	"CMPLT"	"CMPLT"	"CMPLT"	"CMPLT"
	Case 2	P0400	OK (1)	— (1)	— (1)	— (1)
		P0402	— (0)	— (0)	OK (1)	— (1)
		P1402	OK (1)	OK (2)	— (2)	— (2)
		SRT of EGR	"INCMP"	"INCMP"	"CMPLT"	"CMPLT"
NG exists	Case 3	P0400	OK	OK	—	—
		P0402	—	—	—	—
		P1402	NG	—	NG	NG (Consecutive NG)
		(1st trip) DTC	1st trip DTC	—	1st trip DTC	DTC (= MIL ON)
		SRT of EGR	"INCMP"	"INCMP"	"INCMP"	"CMPLT"

OK: Self-diagnosis is carried out and the result is OK.

NG: Self-diagnosis is carried out and the result is NG.

—: Self-diagnosis is not carried out.

When all SRT related self-diagnoses show OK results in a single cycle (Ignition OFF-ON-OFF), the SRT will indicate "CMPLT". → Case 1 above

When all SRT related self-diagnoses show OK results through several different cycles, the SRT will indicate "CMPLT" at the time the respective self-diagnoses have at least one OK result. → Case 2 above

If one or more SRT related self-diagnoses show NG results in 2 consecutive cycles, the SRT will also indicate "CMPLT". → Case 3 above

The table above shows that the minimum number of cycles for setting SRT as "INCMP" is one the number (1) for each self-diagnosis (Case 1 & 2) or the number two (2) for one of self-diagnoses (Case 3). However, in preparation for the state emissions inspection, it is unnecessary for each self-diagnosis to be executed twice (Case 3) for the following reasons:

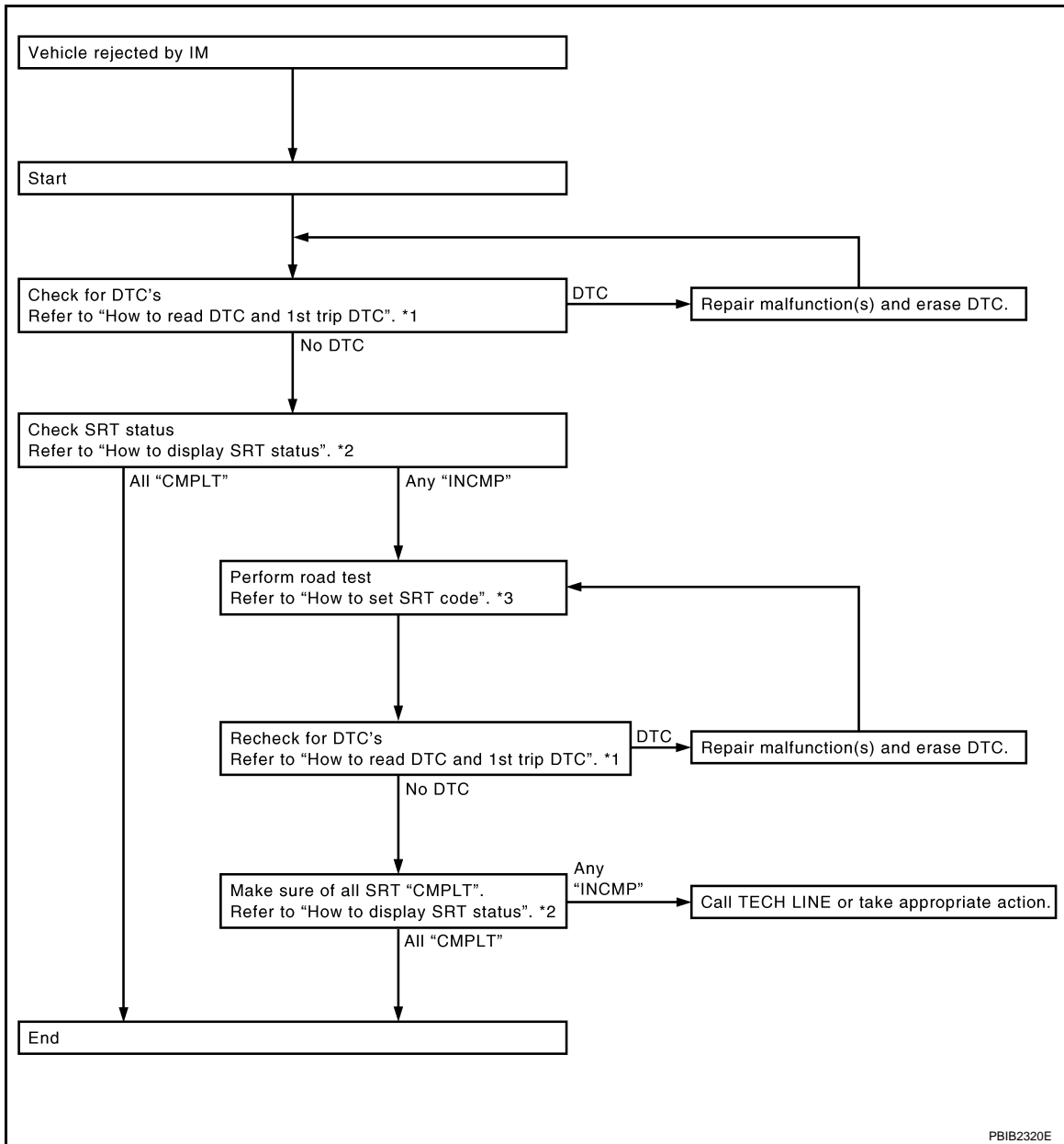
- The SRT will indicate "CMPLT" at the time the respective self-diagnoses have one (1) OK result.
- The emissions inspection requires "CMPLT" of the SRT only with OK self-diagnosis results.
- During SRT driving pattern, the 1st trip DTC (NG) is detected prior to "CMPLT" of SRT and the self-diagnosis memory must be erased from the ECM after repair.
- If the 1st trip DTC is erased, all the SRT will indicate "INCMP".

**NOTE:**

SRT can be set as "CMPLT" together with the DTC(s). Therefore, DTC check must always be carried out prior to the state emission inspection even though the SRT indicates "CMPLT".

## SRT Service Procedure

If a vehicle has failed the state emissions inspection due to one or more SRT items indicating "INCMP", review the flowchart diagnostic sequence on the next page.



\*1 "How to Read DTC and 1st Trip DTC" \*2 "How to Display SRT Status"

\*3 "How to Set SRT Code"

### How to Display SRT Status

#### WITH CONSULT-III

Selecting "SRT STATUS" in "DTC & SRT CONFIRMATION" mode with CONSULT-III.

For items whose SRT codes are set, "CMPLT" is displayed on the CONSULT-III screen; for items whose SRT codes are not set, "INCMP" is displayed.

#### NOTE:

Though displayed on the CONSULT-III screen, "HO2S HTR" is not SRT item.

#### WITH GST

Selecting Service \$01 with GST (Generic Scan Tool)

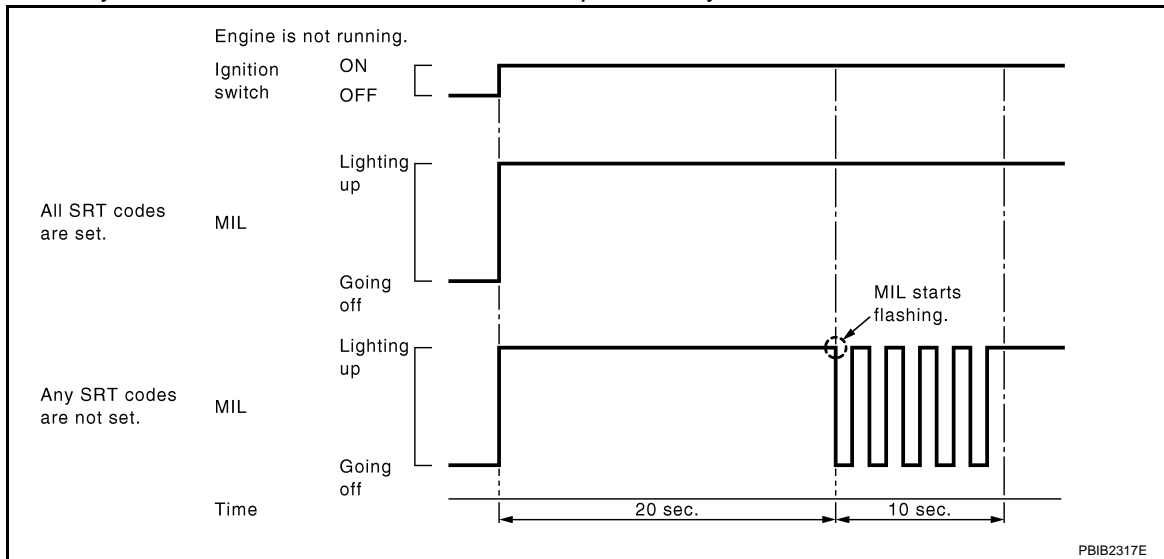
#### NO TOOLS

A SRT code itself cannot be displayed however only SRT status can.

1. Turn ignition switch ON and wait 20 seconds.
2. SRT status is indicated as shown below.
  - When all SRT codes are set, MIL illuminates continuously.

## &lt; ECU DIAGNOSIS &gt;

- When any SRT codes are not set, MIL will blink periodically for 10 seconds.



## How to Set SRT Code

To set all SRT codes, self-diagnosis for the items indicated above must be performed one or more times. Each diagnosis may require a long period of actual driving under various conditions.

**WITH CONSULT-III**

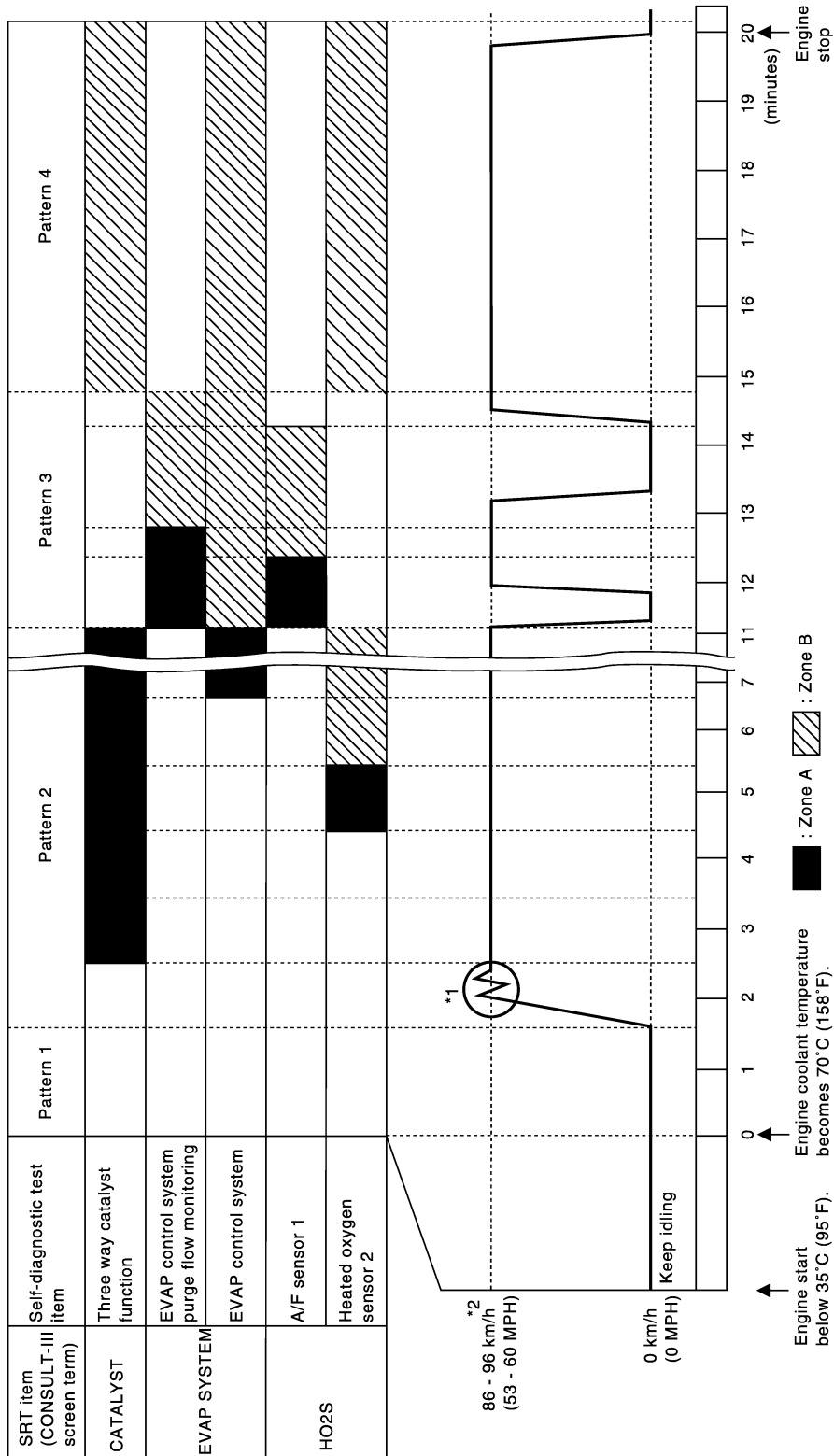
Perform corresponding DTC Confirmation Procedure one by one based on Performance Priority in the table on "SRT Item".

**WITHOUT CONSULT-III**

The most efficient driving pattern in which SRT codes can be properly set is explained below. The driving pattern should be performed one or more times to set all SRT codes.

Driving Pattern

**Note: Always drive vehicle in safe manner according to traffic conditions and obey all traffic laws. Refer to next page for more information and explanation of chart.**



PBIB3622E

- The time required for each diagnosis varies with road surface conditions, weather, altitude, individual driving habits, etc.  
 Zone A refers to the range where the time, required for the diagnosis under normal conditions\*, is the shortest.  
 Zone B refers to the range where the diagnosis can still be performed if the diagnosis is not completed within zone A.
- \*: Normal conditions refer to the following:

A  
EC  
C  
D  
E  
F  
G  
H  
I  
J  
K  
L  
M  
N  
O  
P

## &lt; ECU DIAGNOSIS &gt;

- Sea level
  - Flat road
  - Ambient air temperature: 20 - 30°C (68 - 86°F)
  - Diagnosis is performed as quickly as possible under normal conditions.
- Under different conditions [For example: ambient air temperature other than 20 - 30°C (68 - 86°F)], diagnosis may also be performed.

## Pattern 1:

- **The engine is started at the engine coolant temperature of -10 to 35°C (14 to 95°F) (where the voltage between the ECM terminal 73 and ground is 3.0 - 4.3V).**
- **The engine must be operated at idle speed until the engine coolant temperature is greater than 70°C (158°F) (where the voltage between the ECM terminal 73 and ground is lower than 1.4V).**
- **The engine is started at the fuel tank temperature of warmer than 0°C (32°F) (where the voltage between the ECM terminal 107 and ground is less than 4.1V).**

## Pattern 2:

- When steady-state driving is performed again even after it is interrupted, each diagnosis can be conducted. In this case, the time required for diagnosis may be extended.

## Pattern 3:

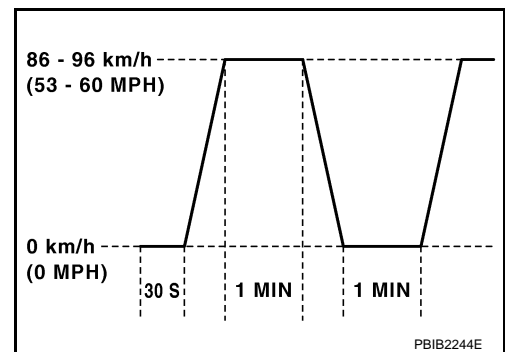
- Operate vehicle following the driving pattern shown in the figure.
- Replace the accelerator pedal during decelerating vehicle speed from 90km/h (56MPH) to 0km/h (0MPH).

## Pattern 4:

- The accelerator pedal must be held very steady during steady-state driving.
- If the accelerator pedal is moved, the test must be conducted all over again.

\*1: Depress the accelerator pedal until vehicle speed is 90 km/h (56 MPH), then release the accelerator pedal and keep it released for more than 10 seconds. Depress the accelerator pedal until vehicle speed is 90 km/h (56 MPH) again.

\*2: Checking the vehicle speed with GST is advised.

**Suggested Transmission Gear Position**

Set the selector lever in the D position with the overdrive switch turned ON.

**TEST VALUE AND TEST LIMIT**

The following is the information specified in Service \$06 of SAE J1979.

The test value is a parameter used to determine whether a system/circuit diagnostic test is OK or NG while being monitored by the ECM during self-diagnosis. The test limit is a reference value which is specified as the maximum or minimum value and is compared with the test value being monitored.

These data (test value and test limit) are specified by On Board Monitor ID(OBDMID), Test ID (TID), Unit and Scaling ID and can be displayed on the GST screen.

The items of the test value and test limit will be displayed with GST screen which items are provided by the ECM. (e.g., if bank 2 is not applied on this vehicle, only the items of bank 1 are displayed)

Item	OBD-MID	Self-diagnostic test item	DTC	Test value and Test limit (GST display)		Description
				TID	Unit and Scaling ID	
HO2S	01H	Air fuel ratio (A/F) sensor 1 (Bank 1)	P0131	83H	0BH	Minimum sensor output voltage for test cycle
			P0131	84H	0BH	Maximum sensor output voltage for test cycle
			P0130	85H	0BH	Minimum sensor output voltage for test cycle
			P0130	86H	0BH	Maximum sensor output voltage for test cycle
			P0133	87H	04H	Response rate: Response ratio (Lean to Rich)
			P0133	88H	04H	Response rate: Response ratio (Rich to Lean)
			P2A00	89H	84H	The amount of shift in air fuel ratio
			P2A00	8AH	84H	The amount of shift in air fuel ratio
			P0130	8BH	0BH	Difference in sensor output voltage
			P0133	8CH	83H	Response gain at the limited frequency
	02H	Heated oxygen sensor 2 (Bank 1)	P0138	07H	0CH	Minimum sensor output voltage for test cycle
			P0137	08H	0CH	Maximum sensor output voltage for test cycle
			P0138	80H	0CH	Sensor output voltage
			P0139	81H	0CH	Difference in sensor output voltage
03H	Heated oxygen sensor 3 (Bank 1)	P0143	07H	0CH	Minimum sensor output voltage for test cycle	
		P0144	08H	0CH	Maximum sensor output voltage for test cycle	
		P0146	80H	0CH	Sensor output voltage	
		P0145	81H	0CH	Difference in sensor output voltage	

A

EC

C

D

E

F

G

H

I

J

K

L

M

N

O

P

# ECM

< ECU DIAGNOSIS >

[VQ40DE]

Item	OBD-MID	Self-diagnostic test item	DTC	Test value and Test limit (GST display)		Description
				TID	Unit and Scaling ID	
HO2S	05H	Air fuel ratio (A/F) sensor 1 (Bank 2)	P0151	83H	0BH	Minimum sensor output voltage for test cycle
			P0151	84H	0BH	Maximum sensor output voltage for test cycle
			P0150	85H	0BH	Minimum sensor output voltage for test cycle
			P0150	86H	0BH	Maximum sensor output voltage for test cycle
			P0153	87H	04H	Response rate: Response ratio (Lean to Rich)
			P0153	88H	04H	Response rate: Response ratio (Rich to Lean)
			P2A03	89H	84H	The amount of shift in air fuel ratio
			P2A03	8AH	84H	The amount of shift in air fuel ratio
			P0150	8BH	0BH	Difference in sensor output voltage
			P0153	8CH	83H	Response gain at the limited frequency
	06H	Heated oxygen sensor 2 (Bank 2)	P0158	07H	0CH	Minimum sensor output voltage for test cycle
			P0157	08H	0CH	Maximum sensor output voltage for test cycle
			P0158	80H	0CH	Sensor output voltage
			P0159	81H	0CH	Difference in sensor output voltage
	07H	Heated oxygen sensor 3 (Bank2)	P0163	07H	0CH	Minimum sensor output voltage for test cycle
P0164			08H	0CH	Maximum sensor output voltage for test cycle	
P0166			80H	0CH	Sensor output voltage	
P0165			81H	0CH	Difference in sensor output voltage	
CATALYST	21H	Three way catalyst function (Bank1)	P0420	80H	01H	O2 storage index
			P0420	82H	01H	Switching time lag engine exhaust index value
			P2423	83H	0CH	Difference in 3rd O2 sensor output voltage
			P2423	84H	84H	O2 storage index in HC trap catalyst
	22H	Three way catalyst function (Bank2)	P0430	80H	01H	O2 storage index
			P0430	82H	01H	Switching time lag engine exhaust index value
			P2424	83H	0CH	Difference in 3rd O2 sensor output voltage
			P2424	84H	84H	O2 storage index in HC trap catalyst



**ECM**

< ECU DIAGNOSIS >

[VQ40DE]

Item	OBD-MID	Self-diagnostic test item	DTC	Test value and Test limit (GST display)		Description
				TID	Unit and Scaling ID	
EGR SYSTEM	31H	EGR function	P0400	80H	96H	Low Flow Faults: EGR temp change rate (short term)
			P0400	81H	96H	Low Flow Faults: EGR temp change rate (long term)
			P0400	82H	96H	Low Flow Faults: Difference between max EGR temp and EGR temp under idling condition
			P0400	83H	96H	Low Flow Faults: Max EGR temp
			P1402	84H	96H	High Flow Faults: EGR temp increase rate
EVAP SYSTEM	39H	EVAP control system leak (Cap Off)	P0455	80H	0CH	Difference in pressure sensor output voltage before and after pull down
	3BH	EVAP control system leak (Small leak)	P0442	80H	05H	Leak area index (for more than 0.04inch)
	3CH	EVAP control system leak (Very small leak)	P0456	80H	05H	Leak area index (for more than 0.02inch)
			P0456	81H	FDH	Maximum internal pressure of EVAP system during monitoring
	3DH	Purge flow system	P0441	83H	0CH	Difference in pressure sensor output voltage before and after vent control valve close
O2 SENSOR HEATER	41H	A/F sensor 1 heater (Bank 1)	Low Input:P0031 High Input:P0032	81H	0BH	Converted value of Heater electric current to voltage
	42H	Heated oxygen sensor 2 heater (Bank 1)	Low Input:P0037 High Input:P0038	80H	0CH	Converted value of Heater electric current to voltage
	43H	Heated oxygen sensor 3 heater (Bank 1)	P0043	80H	0CH	Converted value of Heater electric current to voltage
	45H	A/F sensor 1 heater (Bank 2)	Low Input:P0051 High Input:P0052	81H	0BH	Converted value of Heater electric current to voltage
	46H	Heated oxygen sensor 2 heater (Bank 2)	Low Input:P0057 High Input:P0058	80H	0CH	Converted value of Heater electric current to voltage
	47H	Heated oxygen sensor 3 heater (Bank 2)	P0063	80H	0CH	Converted value of Heater electric current to voltage
SECONDARY AIR	71H	Secondary Air system	P0411	80H	01H	Secondary Air Injection System Incorrect Flow Detected
			Bank1: P0491 Bank2: P0492	81H	01H	Secondary Air Injection System Insufficient Flow
			P2445	82H	01H	Secondary Air Injection System Pump Stuck Off
			P2448	83H	01H	Secondary Air Injection System High Airflow
			Bank1: P2440 Bank2: P2442	84H	01H	Secondary Air Injection System Switching Valve Stuck Open
			P2440	85H	01H	Secondary Air Injection System Switching Valve Stuck Open
			P2444	86H	01H	Secondary Air Injection System Pump Stuck On

A

EC

C

D

E

F

G

H

I

J

K

L

M

N

O

P

**ECM**

< ECU DIAGNOSIS >

[VQ40DE]

Item	OBD-MID	Self-diagnostic test item	DTC	Test value and Test limit (GST display)		Description
				TID	Unit and Scaling ID	
FUEL SYSTEM	81H	Fuel injection system function (Bank 1)	P0171 or P0172	80H	2FH	Long term fuel trim
			P0171 or P0172	81H	24H	The number of lambda control clamped
	82H	Fuel injection system function (Bank 2)	P0174 or P0175	80H	2FH	Long term fuel trim
			P0174 or P0175	81H	24H	The number of lambda control clamped
MISFIRE	A1H	Multiple Cylinder Misfire	P0301	80H	24H	Misfiring counter at 1000 revolution of the first cylinder
			P0302	81H	24H	Misfiring counter at 1000 revolution of the second cylinder
			P0303	82H	24H	Misfiring counter at 1000 revolution of the third cylinder
			P0304	83H	24H	Misfiring counter at 1000 revolution of the fourth cylinder
			P0305	84H	24H	Misfiring counter at 1000 revolution of the fifth cylinder
			P0306	85H	24H	Misfiring counter at 1000 revolution of the sixth cylinder
			P0307	86H	24H	Misfiring counter at 1000 revolution of the seventh cylinder
			P0308	87H	24H	Misfiring counter at 1000 revolution of the eighth cylinder
			P0300	88H	24H	Misfiring counter at 1000 revolution of the multiple cylinders
			P0301	89H	24H	Misfiring counter at 200 revolution of the first cylinder
			P0302	8AH	24H	Misfiring counter at 200 revolution of the second cylinder
			P0303	8BH	24H	Misfiring counter at 200 revolution of the third cylinder
			P0304	8CH	24H	Misfiring counter at 200 revolution of the fourth cylinder
			P0305	8DH	24H	Misfiring counter at 200 revolution of the fifth cylinder
			P0306	8EH	24H	Misfiring counter at 200 revolution of the sixth cylinder
			P0307	8FH	24H	Misfiring counter at 200 revolution of the seventh cylinder
			P0308	90H	24H	Misfiring counter at 200 revolution of the eighth cylinder
			P0300	91H	24H	Misfiring counter at 1000 revolution of the single cylinder
			P0300	92H	24H	Misfiring counter at 200 revolution of the single cylinder
			P0300	93H	24H	Misfiring counter at 200 revolution of the multiple cylinders

Item	OBD-MID	Self-diagnostic test item	DTC	Test value and Test limit (GST display)		Description
				TID	Unit and Scaling ID	
MISFIRE	A2H	No.1 Cylinder Misfire	P0301	0BH	24H	EWMA (Exponential Weighted Moving Average) misfire counts for last 10 driving cycles
			P0301	0CH	24H	Misfire counts for last/current driving cycles
	A3H	No.2 Cylinder Misfire	P0302	0BH	24H	EWMA (Exponential Weighted Moving Average) misfire counts for last 10 driving cycles
			P0302	0CH	24H	Misfire counts for last/current driving cycles
	A4H	No.3 Cylinder Misfire	P0303	0BH	24H	EWMA (Exponential Weighted Moving Average) misfire counts for last 10 driving cycles
			P0303	0CH	24H	Misfire counts for last/current driving cycles
	A5H	No.4 Cylinder Misfire	P0304	0BH	24H	EWMA (Exponential Weighted Moving Average) misfire counts for last 10 driving cycles
			P0304	0CH	24H	Misfire counts for last/current driving cycles
	A6H	No.5 Cylinder Misfire	P0305	0BH	24H	EWMA (Exponential Weighted Moving Average) misfire counts for last 10 driving cycles
			P0305	0CH	24H	Misfire counts for last/current driving cycles
	A7H	No.6 Cylinder Misfire	P0306	0BH	24H	EWMA (Exponential Weighted Moving Average) misfire counts for last 10 driving cycles
			P0306	0CH	24H	Misfire counts for last/current driving cycles
	A8H	No.7 Cylinder Misfire	P0307	0BH	24H	EWMA (Exponential Weighted Moving Average) misfire counts for last 10 driving cycles
			P0307	0CH	24H	Misfire counts for last/current driving cycles
	A9H	No.8 Cylinder Misfire	P0308	0BH	24H	EWMA (Exponential Weighted Moving Average) misfire counts for last 10 driving cycles
			P0308	0CH	24H	Misfire counts for last/current driving cycles

## HOW TO ERASE EMISSION-RELATED DIAGNOSTIC INFORMATION

How to Erase DTC

### With CONSULT-III

The emission related diagnostic information in the ECM can be erased by selecting "ALL Erase" in the "Description" of "FINAL CHECK" mode with CONSULT-III.

### With GST

The emission related diagnostic information in the ECM can be erased by selecting Service \$04 with GST.

1. If the ignition switch stays ON after repair work, be sure to turn ignition switch OFF once. Wait at least 10 seconds and then turn it ON (engine stopped) again.
2. Perform [TM-34. "OBD-II Diagnostic Trouble Code \(DTC\)"](#). (The DTC in TCM will be erased.)

## &lt; ECU DIAGNOSIS &gt;

3. Select Service \$04 with GST (Generic Scan Tool).

**No Tools**

1. If the ignition switch stays ON after repair work, be sure to turn ignition switch OFF once. Wait at least 10 seconds and then turn it ON (engine stopped) again.
  2. Perform [TM-34, "OBD-II Diagnostic Trouble Code \(DTC\)"](#). (The DTC in TCM will be erased.)
  3. Change the diagnostic test mode from Mode II to Mode I by depressing the accelerator pedal. Refer to [EC-65, "Malfunction Indicator Lamp \(MIL\)"](#).
- **If the battery is disconnected, the emission-related diagnostic information will be lost within 24 hours.**
  - **The following data are cleared when the ECM memory is erased.**
    - Diagnostic trouble codes
    - 1st trip diagnostic trouble codes
    - Freeze frame data
    - 1st trip freeze frame data
    - System readiness test (SRT) codes
    - Test values

Actual work procedures are explained using a DTC as an example. Be careful so that not only the DTC, but all of the data listed above, are cleared from the ECM memory during work procedures.

# ENGINE CONTROL SYSTEM SYMPTOMS

< SYMPTOM DIAGNOSIS >

[VQ40DE]

## SYMPTOM DIAGNOSIS

### ENGINE CONTROL SYSTEM SYMPTOMS

#### Symptom Matrix Chart

INFOID:000000004297664

#### SYSTEM — BASIC ENGINE CONTROL SYSTEM

		SYMPTOM													Reference page
		HARD/NO START/RESTART (EXCP. HA)	ENGINE STALL	HESITATION/SURGING/FLAT SPOT	SPARK KNOCK/DETONATION	LACK OF POWER/POOR ACCELERATION	HIGH IDLE/LOW IDLE	ROUGH IDLE/HUNTING	IDLING VIBRATION	SLOW/NO RETURN TO IDLE	OVERHEATS/WATER TEMPERATURE HIGH	EXCESSIVE FUEL CONSUMPTION	EXCESSIVE OIL CONSUMPTION	BATTERY DEAD (UNDER CHARGE)	
Warranty symptom code		AA	AB	AC	AD	AE	AF	AG	AH	AJ	AK	AL	AM	HA	
Fuel	Fuel pump circuit	1	1	2	3	2		2	2			3		2	<a href="#">EC-398</a>
	Fuel pressure regulator system	3	3	4	4	4	4	4	4	4		4			<a href="#">EC-484</a>
	Fuel injector circuit	1	1	2	3	2		2	2			2			<a href="#">EC-394</a>
	Evaporative emission system	3	3	4	4	4	4	4	4	4	4	4			<a href="#">EC-45</a>
Air	Positive crankcase ventilation system	3	3	4	4	4	4	4	4	4		4	1		<a href="#">EC-412</a>
	Incorrect idle speed adjustment						1	1	1	1		1			<a href="#">EC-20</a>
	Electric throttle control actuator	1	1	2	3	3	2	2	2	2		2		2	<a href="#">EC-357</a> , <a href="#">EC-363</a>
Ignition	Incorrect ignition timing adjustment	3	3	1	1	1		1	1			1			<a href="#">EC-20</a>
	Ignition circuit	1	1	2	2	2		2	2			2			<a href="#">EC-402</a>
Power supply and ground circuit		2	2	3	3	3		3	3		2	3			<a href="#">EC-92</a>
Mass air flow sensor circuit		1			2										<a href="#">EC-111</a> , <a href="#">EC-122</a>
Engine coolant temperature sensor circuit							3			3					<a href="#">EC-128</a> , <a href="#">EC-136</a>
Air fuel ratio (A/F) sensor 1			1	2	3	2		2	2			2			<a href="#">EC-144</a> , <a href="#">EC-148</a> , <a href="#">EC-152</a> , <a href="#">EC-156</a> , <a href="#">EC-380</a>
Throttle position sensor circuit							2			2					<a href="#">EC-132</a> , <a href="#">EC-199</a> , <a href="#">EC-314</a> , <a href="#">EC-316</a> , <a href="#">EC-372</a>
Accelerator pedal position sensor circuit				3	2	1									<a href="#">EC-92</a> , <a href="#">EC-365</a> , <a href="#">EC-368</a> , <a href="#">EC-376</a>

# ENGINE CONTROL SYSTEM SYMPTOMS

< SYMPTOM DIAGNOSIS >

[VQ40DE]

	SYMPTOM													Reference page
	HARD/NO START/RESTART (EXCP. HA)	ENGINE STALL	HESITATION/SURGING/FLAT SPOT	SPARK KNOCK/DETONATION	LACK OF POWER/POOR ACCELERATION	HIGH IDLE/LOW IDLE	ROUGH IDLE/HUNTING	IDLING VIBRATION	SLOW/NO RETURN TO IDLE	OVERHEATS/WATER TEMPERATURE HIGH	EXCESSIVE FUEL CONSUMPTION	EXCESSIVE OIL CONSUMPTION	BATTERY DEAD (UNDER CHARGE)	
Warranty symptom code	AA	AB	AC	AD	AE	AF	AG	AH	AJ	AK	AL	AM	HA	
Knock sensor circuit			2								3			<a href="#">EC-210</a>
Crankshaft position sensor (POS) circuit	2	2												<a href="#">EC-213</a>
Camshaft position sensor (PHASE) circuit	3	2												<a href="#">EC-217</a>
Vehicle speed signal circuit		2	3		3						3			<a href="#">EC-288</a>
Power steering pressure sensor circuit		2					3	3						<a href="#">EC-294</a>
ECM	2	2	3	3	3	3	3	3	3	3	3			<a href="#">EC-297</a> , <a href="#">EC-299</a>
Intake valve timing control solenoid valve circuit		3	2		1	3	2	2	3		3			<a href="#">EC-108</a>
PNP switch circuit			3		3		3	3			3			<a href="#">EC-305</a>
VIAS control solenoid valve circuit					1									<a href="#">EC-348</a>
Refrigerant pressure sensor circuit		2				3			3		4			<a href="#">EC-414</a>
Electrical load signal circuit							3							<a href="#">EC-392</a>
Air conditioner circuit	2	2	3	3	3	3	3	3	3		3		2	<a href="#">HAC-108</a> , <a href="#">HAC-174</a>
ABS actuator and electric unit (control unit)			4											<a href="#">BRC-8</a> , <a href="#">BRC-137</a>

1 - 6: The numbers refer to the order of inspection.

(continued on next page)

## SYSTEM — ENGINE MECHANICAL & OTHER

# ENGINE CONTROL SYSTEM SYMPTOMS

< SYMPTOM DIAGNOSIS >

[VQ40DE]

		SYMPTOM												Reference page	
		HARD/NO START/RESTART (EXCP. HA)	ENGINE STALL	HESITATION/SURGING/FLAT SPOT	SPARK KNOCK/DETONATION	LACK OF POWER/POOR ACCELERATION	HIGH IDLE/LOW IDLE	ROUGH IDLE/HUNTING	IDLING VIBRATION	SLOW/NO RETURN TO IDLE	OVERHEATSWATER TEMPERATURE HIGH	EXCESSIVE FUEL CONSUMPTION	EXCESSIVE OIL CONSUMPTION		BATTERY DEAD (UNDER CHARGE)
Warranty symptom code		AA	AB	AC	AD	AE	AF	AG	AH	AJ	AK	AL	AM	HA	
Fuel	Fuel tank	5													<a href="#">FL-6</a>
	Fuel piping			5	5	5		5	5			5			<a href="#">FL-5</a>
	Vapor lock		5												—
	Valve deposit														—
	Poor fuel (Heavy weight gasoline, Low octane)	5		5	5	5		5	5			5			—
Air	Air duct														<a href="#">EM-25</a>
	Air cleaner														<a href="#">EM-25</a>
	Air leakage from air duct (Mass air flow sensor — electric throttle control actuator)		5	5		5		5	5			5			<a href="#">EM-25</a>
	Electric throttle control actuator	5			5		5			5					<a href="#">EM-26</a>
	Air leakage from intake manifold/Collector/Gasket														<a href="#">EM-26</a> , <a href="#">EM-29</a>
Cranking	Battery	1	1	1		1		1	1					1	<a href="#">PG-7</a>
	Generator circuit														<a href="#">CHG-5</a>
	Starter circuit	3										1			<a href="#">STR-5</a>
	Signal plate	6													<a href="#">EM-118</a>
	PNP switch	4													<a href="#">TM-51</a>
Engine	Cylinder head														<a href="#">EM-98</a>
	Cylinder head gasket	5	5	5	5	5		5	5		4	5	3		
	Cylinder block														
	Piston												4		
	Piston ring														
	Connecting rod	6	6	6	6	6		6	6			6			<a href="#">EM-118</a>
	Bearing														
	Crankshaft														
Valve mechanism	Timing chain														<a href="#">EM-61</a>
	Camshaft														<a href="#">EM-81</a>
	Intake valve timing control	5	5	5	5	5		5	5			5			<a href="#">EM-61</a>
	Intake valve														
	Exhaust valve												3		<a href="#">EM-92</a>

A  
EC  
C  
D  
E  
F  
G  
H  
I  
J  
K  
L  
M  
N  
O  
P

# ENGINE CONTROL SYSTEM SYMPTOMS

< SYMPTOM DIAGNOSIS >

[VQ40DE]

		SYMPTOM												Reference page	
		HARD/NO START/RESTART (EXCP. HA)	ENGINE STALL	HESITATION/SURGING/FLAT SPOT	SPARK KNOCK/DETONATION	LACK OF POWER/POOR ACCELERATION	HIGH IDLE/LOW IDLE	ROUGH IDLE/HUNTING	IDLING VIBRATION	SLOW/NO RETURN TO IDLE	OVERHEATS/WATER TEMPERATURE HIGH	EXCESSIVE FUEL CONSUMPTION	EXCESSIVE OIL CONSUMPTION		BATTERY DEAD (UNDER CHARGE)
Warranty symptom code		AA	AB	AC	AD	AE	AF	AG	AH	AJ	AK	AL	AM	HA	
Exhaust	Exhaust manifold/Tube/Muffler/Gasket	5	5	5	5	5		5	5			5			<a href="#">EM-31</a> ,
	Three way catalyst														
Lubrica-tion	Oil pan/Oil strainer/Oil pump/Oil filter/Oil gallery/Oil cooler	5	5	5	5	5		5	5			5			<a href="#">EM-35</a> , <a href="#">LU-12</a> , <a href="#">LU-14</a>
	Oil level (Low)/Filthy oil														
Cooling	Radiator/Hose/Radiator filler cap														<a href="#">LU-8</a>
	Thermostat									5					<a href="#">CO-11</a>
	Water pump														<a href="#">CO-27</a>
	Water gallery	5	5	5	5	5		5	5		4	5			<a href="#">CO-29</a>
	Cooling fan									5					<a href="#">CO-19</a> or <a href="#">CO-20</a>
	Coolant level (Low)/Contaminated coolant									5					<a href="#">CO-11</a>
NVIS (NISSAN Vehicle Immobilizer System — NATS)		1	1												<a href="#">SEC-5</a> or <a href="#">SEC-121</a>

1 - 6: The numbers refer to the order of inspection.



# NORMAL OPERATING CONDITION

< SYMPTOM DIAGNOSIS >

[VQ40DE]

## NORMAL OPERATING CONDITION

### Fuel Cut Control (at No Load and High Engine Speed)

INFOID:000000004297665

#### INPUT/OUTPUT SIGNAL CHART

Sensor	Input Signal to ECM	ECM function	Actuator
Park/neutral position (PNP) switch	Neutral position	Fuel cut control	Fuel injector
Accelerator pedal position sensor	Accelerator pedal position		
Engine coolant temperature sensor	Engine coolant temperature		
Crankshaft position sensor (POS) Camshaft position sensor (PHASE)	Engine speed		
Wheel sensor	Vehicle speed*		

\*: This signal is sent to the ECM through CAN communication line.

#### SYSTEM DESCRIPTION

If the engine speed is above 1,800 rpm under no load (for example, the shift position is neutral and engine speed is over 1,800 rpm) fuel will be cut off after some time. The exact time when the fuel is cut off varies based on engine speed.

Fuel cut will be operated until the engine speed reaches 1,500 rpm, then fuel cut will be cancelled.

**NOTE:**

This function is different from deceleration control listed under [EC-36, "System Description"](#).

## PRECAUTION

### PRECAUTIONS

#### Precaution for Supplemental Restraint System (SRS) "AIR BAG" and "SEAT BELT PRE-TENSIONER"

INFOID:000000004297666

The Supplemental Restraint System such as "AIR BAG" and "SEAT BELT PRE-TENSIONER", used along with a front seat belt, helps to reduce the risk or severity of injury to the driver and front passenger for certain types of collision. This system includes seat belt switch inputs and dual stage front air bag modules. The SRS system uses the seat belt switches to determine the front air bag deployment, and may only deploy one front air bag, depending on the severity of a collision and whether the front occupants are belted or unbelted. Information necessary to service the system safely is included in the SRS and SB section of this Service Manual.

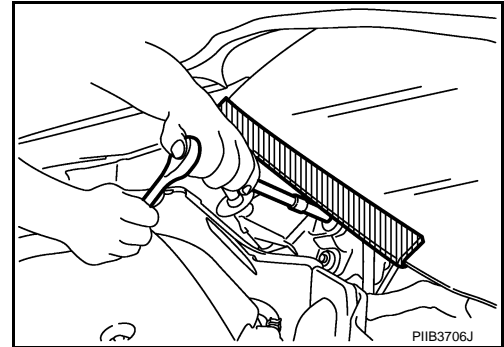
**WARNING:**

- To avoid rendering the SRS inoperative, which could increase the risk of personal injury or death in the event of a collision which would result in air bag inflation, all maintenance must be performed by an authorized NISSAN/INFINITI dealer.
- Improper maintenance, including incorrect removal and installation of the SRS, can lead to personal injury caused by unintentional activation of the system. For removal of Spiral Cable and Air Bag Module, see the SRS section.
- Never use electrical test equipment on any circuit related to the SRS unless instructed to in this Service Manual. SRS wiring harnesses can be identified by yellow and/or orange harnesses or harness connectors.

#### Precaution for Procedure without Cowl Top Cover

INFOID:000000004297667

When performing the procedure after removing cowl top cover, cover the lower end of windshield with urethane, etc.



#### On Board Diagnosis (OBD) System of Engine and A/T

INFOID:000000004297668

The ECM has an on board diagnostic system. It will illuminate the malfunction indicator lamp (MIL) to warn the driver of a malfunction causing emission deterioration.

**CAUTION:**

- Always turn the ignition switch OFF and disconnect the negative battery cable before any repair or inspection work. The open/short circuit of related switches, sensors, solenoid valves, etc. will cause the MIL to illuminate.
- Always connect and lock the connectors securely after work. A loose (unlocked) connector will cause the MIL to illuminate due to the open circuit. (Be sure the connector is free from water, grease, dirt, bent terminals, etc.)
- Certain systems and components, especially those related to OBD, may use a new style slide-locking type harness connector. For description and how to disconnect, refer to [PG-67, "Description"](#).
- Always route and secure the harnesses properly after work. The interference of the harness with a bracket, etc. may cause the MIL to illuminate due to the short circuit.
- Always connect rubber tubes properly after work. A misconnected or disconnected rubber tube may cause the MIL to illuminate due to the malfunction of the EVAP system or fuel injection system, etc.
- Always erase the unnecessary malfunction information (repairs completed) from the ECM and TCM (Transmission control module) before returning the vehicle to the customer.

# PRECAUTIONS

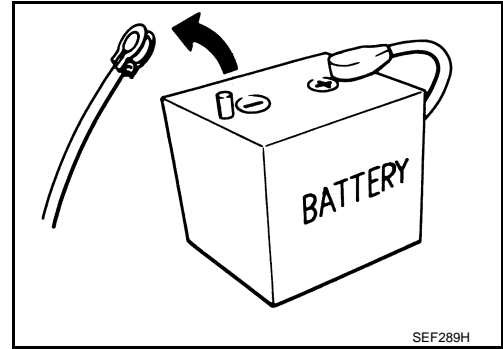
[VQ40DE]

< PRECAUTION >

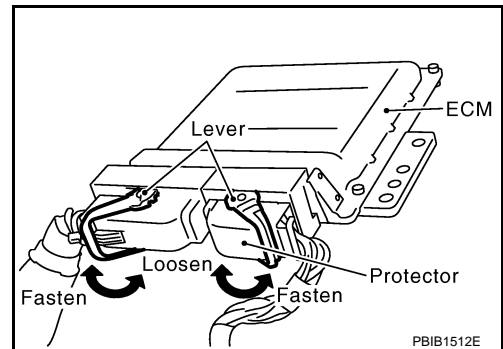
INFOID:000000004297669

## Precaution

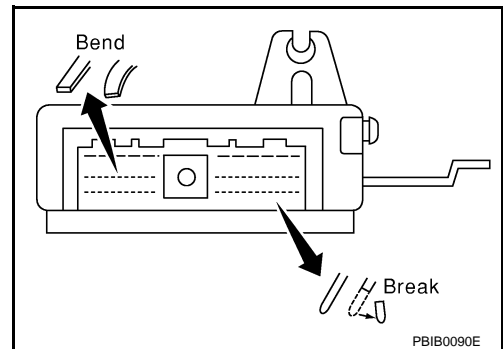
- Always use a 12 volt battery as power source.
- Never attempt to disconnect battery cables while engine is running.
- Before connecting or disconnecting the ECM harness connector, turn ignition switch OFF and disconnect negative battery cable. Failure to do so may damage the ECM because battery voltage is applied to ECM even if ignition switch is turned OFF.
- Before removing parts, turn ignition switch OFF and then disconnect negative battery cable.



- Never disassemble ECM.
- If a battery cable is disconnected, the memory will return to the ECM value. The ECM will now start to self-control at its initial value. Engine operation can vary slightly when the terminal is disconnected. However, this is not an indication of a malfunction. Never replace parts because of a slight variation.
- If the battery is disconnected, the following emission-related diagnostic information will be lost within 24 hours.
  - Diagnostic trouble codes
  - 1st trip diagnostic trouble codes
  - Freeze frame data
  - 1st trip freeze frame data
  - System readiness test (SRT) codes
  - Test values
  - <Flexible Fuel Vehicle> Presumed ethanol mixture ratio
- When connecting ECM harness connector, fasten it securely with levers as far as they will go as shown in the figure.



- When connecting or disconnecting pin connectors into or from ECM, take care not to damage pin terminals (bends or break). Check that there are not any bends or breaks on ECM pin terminal, when connecting pin connectors.
- Securely connect ECM harness connectors. A poor connection can cause an extremely high (surge) voltage to develop in coil and condenser, thus resulting in damage to ICs.
- Keep engine control system harness at least 10 cm (4 in) away from adjacent harness, to prevent engine control system malfunctions due to receiving external noise, degraded operation of ICs, etc.
- Keep engine control system parts and harness dry.

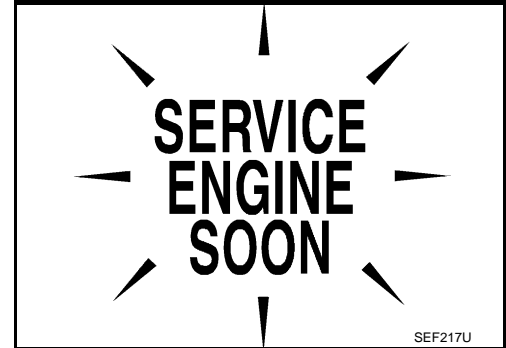
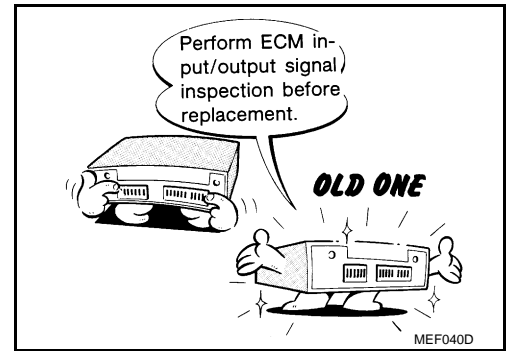


# PRECAUTIONS

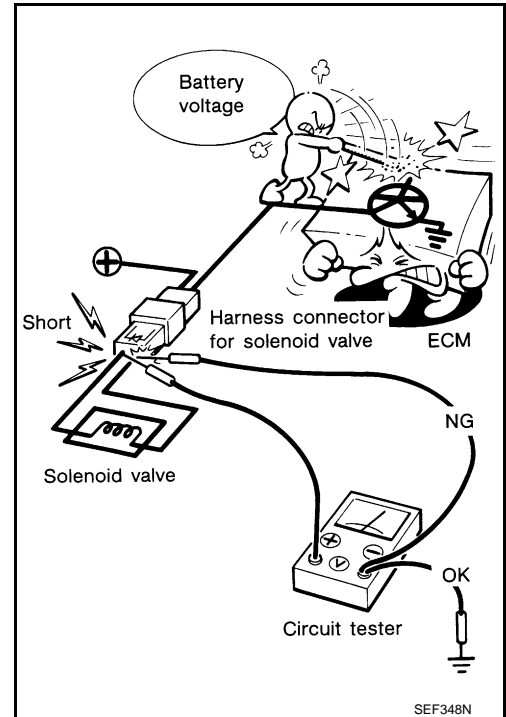
[VQ40DE]

## < PRECAUTION >

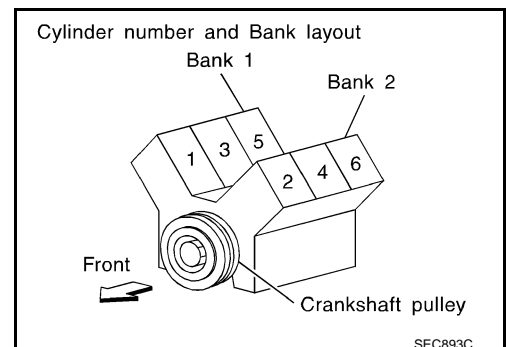
- Before replacing ECM, perform “ECM Terminals and Reference Value” inspection and make sure ECM functions properly. Refer to [EC-424, "ECM Terminal and Reference Value"](#).
- Handle mass air flow sensor carefully to avoid damage.
- Never clean mass air flow sensor with any type of detergent.
- Never disassemble electric throttle control actuator.
- Even a slight leak in the air intake system can cause serious incidents.
- Never shock or jar the camshaft position sensor (PHASE), crankshaft position sensor (POS).
  
- After performing each TROUBLE DIAGNOSIS, perform DTC Confirmation Procedure or Overall Function Check. The DTC should not be displayed in the DTC Confirmation Procedure if the repair is completed. The Overall Function Check should be a good result if the repair is completed.



- When measuring ECM signals with a circuit tester, never allow the two tester probes to contact. Accidental contact of probes will cause a short circuit and damage the ECM power transistor.
- Never use ECM ground terminals when measuring input/output voltage. Doing so may result in damage to the ECM's transistor. Use a ground other than ECM terminals, such as the ground.



- B1 indicates bank 1, B2 indicates bank 2 as shown in the figure.

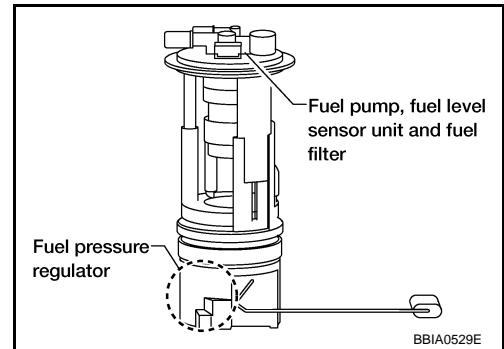


# PRECAUTIONS

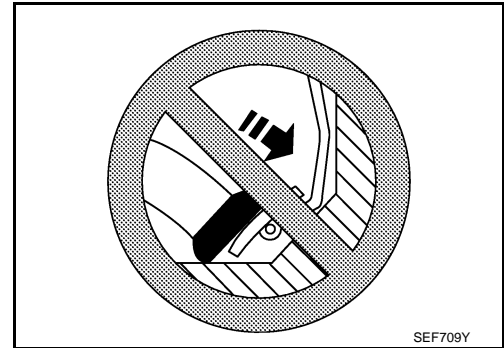
[VQ40DE]

## < PRECAUTION >

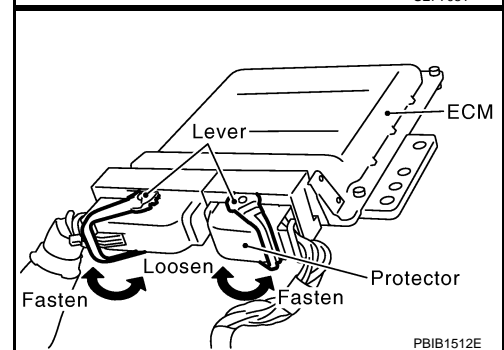
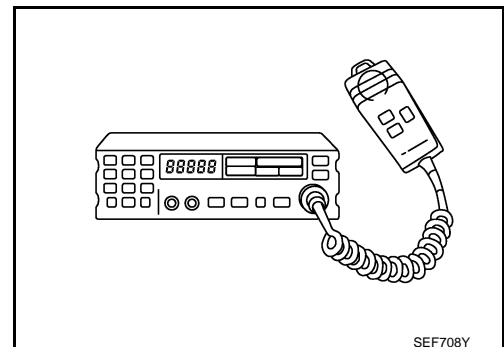
- Never operate fuel pump when there is no fuel in lines.
- Tighten fuel hose clamps to the specified torque.



- Never depress accelerator pedal when starting.
- Immediately after starting, Never rev up engine unnecessarily.
- Never rev up engine just prior to shutdown.



- When installing C.B. ham radio or a mobile phone, Always observe the following as it may adversely affect electronic control systems depending on installation location.
  - Keep the antenna as far as possible from the electronic control units.
  - Keep the antenna feeder line more than 20 cm (8 in) away from the harness of electronic controls. Never let them run parallel for a long distance.
  - Adjust the antenna and feeder line so that the standing-wave ratio can be kept smaller.
- Always ground the radio to vehicle body.



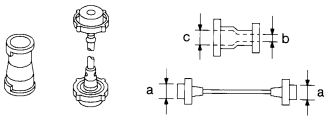
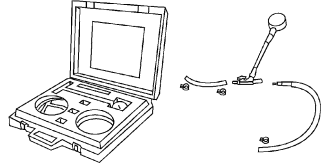
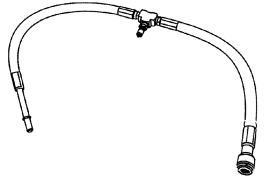

PREPARATION

PREPARATION

Special Service Tool

INFOID:000000004297670

The actual shapes of Kent-Moore tools may differ from those of special service tools illustrated here.

Tool number (Kent-Moore No.) Tool name	Description
EG17650301 (J-33984-A) Radiator cap tester adapter  <p style="text-align: center;">S-NT564</p>	Adapts radiator cap tester to radiator cap and radiator filler neck <b>a: 28 (1.10) dia.</b> <b>b: 31.4 (1.236) dia.</b> <b>c: 41.3 (1.626) dia.</b> Unit: mm (in)
(J-44321) Fuel pressure gauge kit  <p style="text-align: center;">LEC642</p>	Checks fuel pressure
(J-44321-6) Fuel pressure adapter  <p style="text-align: center;">LBI A0376E</p>	Connects fuel pressure gauge to quick connector type fuel lines.
(J-45488) Quick connector re- lease  <p style="text-align: center;">PBIC0198E</p>	Removes fuel tube quick connectors in engine room

# PREPARATION

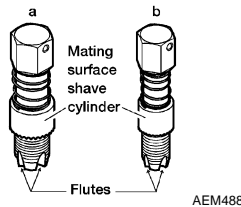
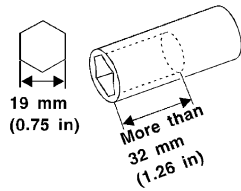
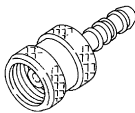
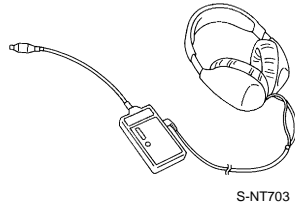
< PREPARATION >

[VQ40DE]

## Commercial Service Tool

INFOID:000000004297671

Tool name (Kent-Moore No.)	Description
Leak detector i.e.: (J-41416)	Locats the EVAP leak
EVAP service port adapter i.e.: (J-41413-OBDD)	Applies positive pressure through EVAP service port
Fuel filler cap adapter i.e.: (MLR-8382)	Checks fuel tank vacuum relief valve opening pressure
Socket wrench	Removes and installs engine coolant temperature sensor
Oxygen sensor thread cleaner i.e.: (J-43897-18) (J-43897-12)	Reconditions the exhaust system threads before installing a new oxygen sensor. Use with anti-seize lubricant shown below. <b>a: 18 mm diameter with pitch 1.5 mm for Zirconia Oxygen Sensor</b> <b>b: 12 mm diameter with pitch 1.25 mm for Titanium Oxygen Sensor</b>
Anti-seize lubricant i.e.: (Permatex™ 133AR or equivalent meeting MIL specification MIL-A-907)	Lubricates oxygen sensor thread cleaning tool when reconditioning exhaust system threads.



A  
EC  
C  
D  
E  
F  
G  
H  
I  
J  
K  
L  
M  
N  
O  
P

## ON-VEHICLE MAINTENANCE

### FUEL PRESSURE

#### Fuel Pressure Check

INFOID:000000004297672

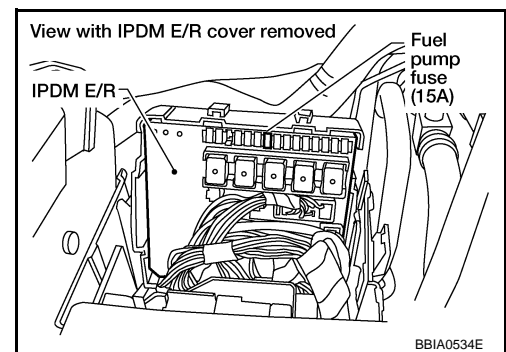
#### FUEL PRESSURE RELEASE

④ With CONSULT-III

1. Turn ignition switch ON.
2. Perform "FUEL PRESSURE RELEASE" in "WORK SUPPORT" mode with CONSULT-III.
3. Start engine.
4. After engine stalls, crank it two or three times to release all fuel pressure.
5. Turn ignition switch OFF.

⊗ Without CONSULT-III

1. Remove fuel pump fuse (No.48) located in IPDM E/R.
2. Start engine.
3. After engine stalls, crank it two or three times to release all fuel pressure.
4. Turn ignition switch OFF.
5. Reinstall fuel pump fuse after servicing fuel system.



#### FUEL PRESSURE CHECK

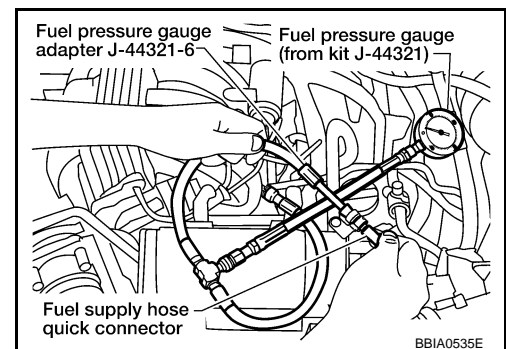
##### CAUTION:

Be careful not to scratch or get the fuel hose connection area dirty when servicing, so that the quick connector o-ring maintains sealability.

##### NOTE:

- Prepare pans or saucers under the disconnected fuel line because the fuel may spill out. The fuel pressure cannot be completely released because R51 models do not have fuel return system.
- Use Fuel Pressure Gauge Kit J-44321 and Fuel Pressure Adapter J-44321-6 to check fuel pressure.

1. Release fuel pressure to zero. Refer to "FUEL PRESSURE RELEASE".
2. Remove fuel hose using Quick Connector Release J-45488. Refer to [EM-45. "Removal and Installation"](#).
  - Do not twist or kink fuel hose because it is plastic hose.
  - Do not remove fuel hose from quick connector.
  - Keep fuel hose connections clean.
3. Install Fuel Pressure Adapter J-44321-6 and Fuel Pressure Gauge (from kit J-44321) as shown in figure.
  - Do not distort or bend fuel rail tube when installing fuel pressure gauge adapter.
  - When reconnecting fuel hose, check the original fuel hose for damage and abnormality.
4. Turn ignition switch ON (reactivate fuel pump), and check for fuel leakage.
5. Start engine and check for fuel leakage.
6. Read the indication of fuel pressure gauge.
  - During fuel pressure check, check for fuel leakage from fuel connection every 3 minutes.



**At idling: Approximately 350 kPa (3.57 kg/cm<sup>2</sup>, 51 psi)**

7. If result is unsatisfactory, go to next step.



# FUEL PRESSURE

< ON-VEHICLE MAINTENANCE >

[VQ40DE]

8. Check the following.
  - Fuel hoses and fuel tubes for clogging
  - Fuel filter for clogging
  - Fuel pump
  - Fuel pressure regulator for cloggingIf OK, replace fuel pressure regulator.  
If NG, repair or replace.
9. Before disconnecting Fuel Pressure Gauge and Fuel Pressure Adapter J-44321-6, release fuel pressure to zero. Refer to "FUEL PRESSURE RELEASE".

A

EC

C

D

E

F

G

H

I

J

K

L

M

N

O

P

# EVAP LEAK CHECK

< ON-VEHICLE MAINTENANCE >

[VQ40DE]

## EVAP LEAK CHECK

### How to Detect Fuel Vapor Leakage

INFOID:000000004297673

#### CAUTION:

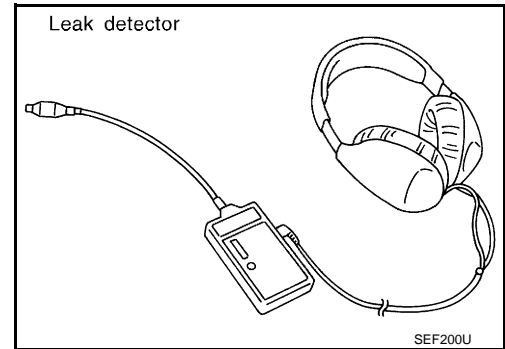
- Never use compressed air or a high pressure pump.
- Never exceed 4.12 kPa (0.042 kg/cm<sup>2</sup>, 0.6 psi) of pressure in EVAP system.

#### NOTE:

- Do not start engine.
- Improper installation of EVAP service port adapter to the EVAP service port may cause a leak.

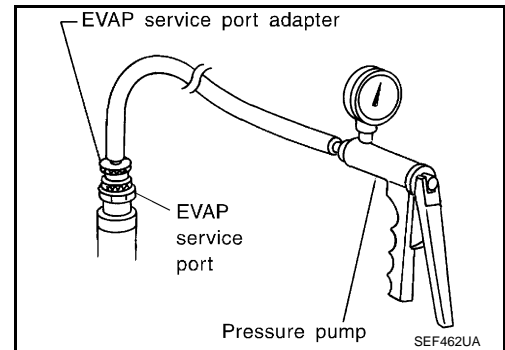
#### Ⓟ WITH CONSULT-III

1. Attach the EVAP service port adapter securely to the EVAP service port.
2. Also attach the pressure pump and hose to the EVAP service port adapter.
3. Turn ignition switch ON.
4. Select the "EVAP SYSTEM CLOSE" of "WORK SUPPORT MODE" with CONSULT-III.
5. Touch "START". A bar graph (Pressure indicating display) will appear on the screen.
6. Apply positive pressure to the EVAP system until the pressure indicator reaches the middle of the bar graph.
7. Remove EVAP service port adapter and hose with pressure pump.
8. Locate the leak using a leak detector. Refer to [EC-45, "Description"](#).

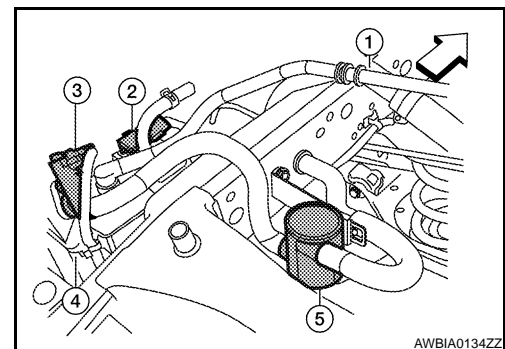


#### ⓧ WITHOUT CONSULT-III

1. Attach the EVAP service port adapter securely to the EVAP service port.
2. Also attach the pressure pump with pressure gauge to the EVAP service port adapter.



3. Apply battery voltage between the terminals of EVAP canister vent control valve (3) to make a closed EVAP system.
  - Fuel filler pipe (top of frame view) (1)
  - EVAP control system pressure sensor (2)
  - EVAP canister (4)
  - Drain filter (5)
  - ↙: Vehicle front
4. To locate the leak, deliver positive pressure to the EVAP system until pressure gauge points reach 1.38 to 2.76 kPa (0.014 to 0.028 kg/cm<sup>2</sup>, 0.2 to 0.4 psi).
5. Remove EVAP service port adapter and hose with pressure pump.
6. Locate the leak using a leak detector. Refer to [EC-45, "Description"](#).



## ON-VEHICLE REPAIR

### EVAP CANISTER

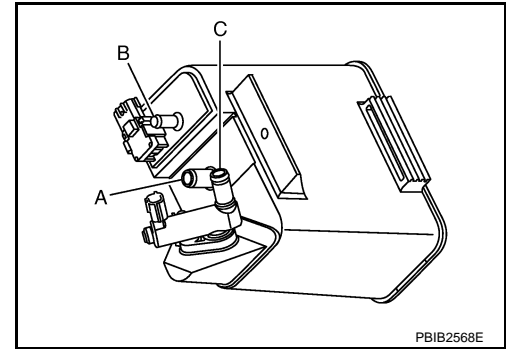
#### Component Inspection

INFOID:000000004297674

#### EVAP CANISTER

Check EVAP canister as follows:

1. Block port **B**.
2. Blow air into port **A** and check that it flows freely out of port **C**.
3. Release blocked port **B**.
4. Apply vacuum pressure to port **B** and check that vacuum pressure exists at the ports **A** and **C**.
5. Block port **A** and **B**.
6. Apply pressure to port **C** and check that there is no leakage.

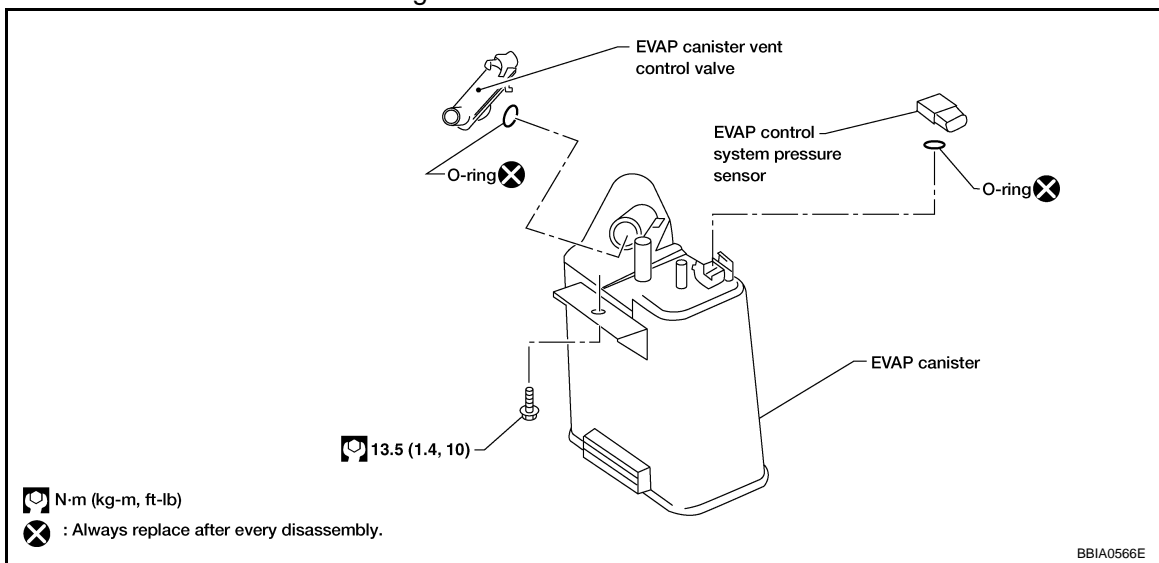


#### Removal and Installation

INFOID:000000004297675

#### EVAP CANISTER

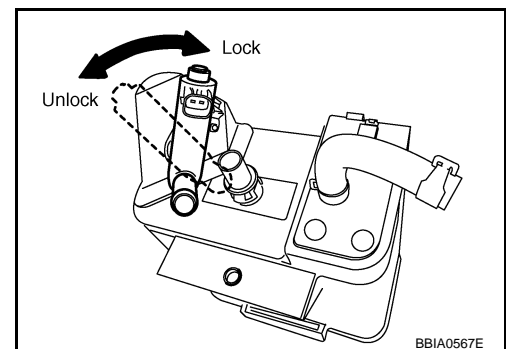
Tighten EVAP canister as shown in the figure.



#### EVAP CANISTER VENT CONTROL VALVE

1. Turn EVAP canister vent control valve counterclockwise.
2. Remove the EVAP canister vent control valve.

**Always replace O-ring with a new one.**



# SERVICE DATA AND SPECIFICATIONS (SDS)

< SERVICE DATA AND SPECIFICATIONS (SDS)

[VQ40DE]

## SERVICE DATA AND SPECIFICATIONS (SDS)

### SERVICE DATA AND SPECIFICATIONS (SDS)

#### Fuel Pressure

INFOID:000000004297676

Fuel pressure at idling kPa (kg/cm <sup>2</sup> , psi)	Approximately 350 (3.57, 51)
--	------------------------------

#### Idle Speed and Ignition Timing

INFOID:000000004297677

Target idle speed	No load* (in P or N position)	625 ± 50 rpm
Air conditioner: ON	In P or N position	625 rpm or more
Ignition timing	In P or N position	15 ± 5° BTDC

\*: Under the following conditions:

- Air conditioner switch: OFF
- Electric load: OFF (Lights, heater fan & rear window defogger)
- Steering wheel: Kept in straight-ahead position

#### Calculated Load Value

INFOID:000000004297678

Condition	Calculated load value% (Using CONSULT-III or GST)
At idle	5 - 35
At 2,500 rpm	5 - 35

#### Mass Air Flow Sensor

INFOID:000000004297679

Supply voltage	Battery voltage (11 - 14V)
Output voltage at idle	0.9 - 1.2*V
Mass air flow (Using CONSULT-III or GST)	2.0 - 6.0 g·m/sec at idle* 7.0 - 20.0 g·m/sec at 2,500 rpm*

\*: Engine is warmed up to normal operating temperature and running under no load.

#### Intake Air Temperature Sensor

INFOID:000000004297680

Temperature °C (°F)	Resistance kΩ
25 (77)	1.800 - 2.200

#### Engine Coolant Temperature Sensor

INFOID:000000004297681

Temperature °C (°F)	Resistance kΩ
20 (68)	2.1 - 2.9
50 (122)	0.68 - 1.00
90 (194)	0.236 - 0.260

#### Air Fuel Ratio (A/F) Sensor 1 Heater

INFOID:000000004297682

Resistance [at 25°C (77°F)]	1.80 - 2.44Ω
-----------------------------	--------------

# SERVICE DATA AND SPECIFICATIONS (SDS)

< SERVICE DATA AND SPECIFICATIONS (SDS)

[VQ40DE]

## Heated Oxygen sensor 2 Heater

INFOID:000000004297683

A

Resistance [at 25°C (77°F)]	9.9 - 13.3Ω
-----------------------------	-------------

## Crankshaft Position Sensor (POS)

INFOID:000000004297684

EC

Refer to [EC-215, "Component Inspection"](#).

## Camshaft Position Sensor (PHASE)

INFOID:000000004297685

C

Refer to [EC-220, "Component Inspection"](#).

## Throttle Control Motor

INFOID:000000004297686

D

Resistance [at 25°C (77°F)]	Approximately 1 - 15Ω
-----------------------------	-----------------------

E

## Fuel Injector

INFOID:000000004297687

F

Resistance [at 10 - 60°C (50 - 140°F)]	11.1 - 14.5Ω
--	--------------

## Fuel Pump

INFOID:000000004297688

G

Resistance [at 25°C (77°F)]	0.2 - 5.0Ω
-----------------------------	------------

H

I

J

K

L

M

N

O

P

## BASIC INSPECTION

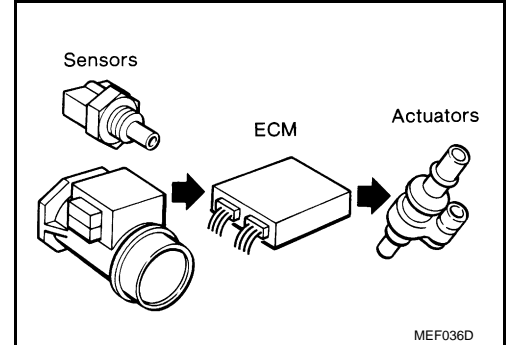
### DIAGNOSIS AND REPAIR WORK FLOW

#### Trouble Diagnosis Introduction

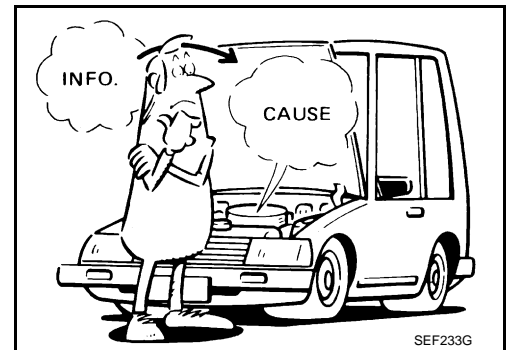
INFOID:000000003936452

#### INTRODUCTION

The engine has an ECM to control major systems such as fuel control, ignition control, idle air control system, etc. The ECM accepts input signals from sensors and instantly drives actuators. It is essential that both input and output signals are proper and stable. At the same time, it is important that there are no malfunctions such as vacuum leakage, fouled spark plugs, or other malfunctions with the engine.



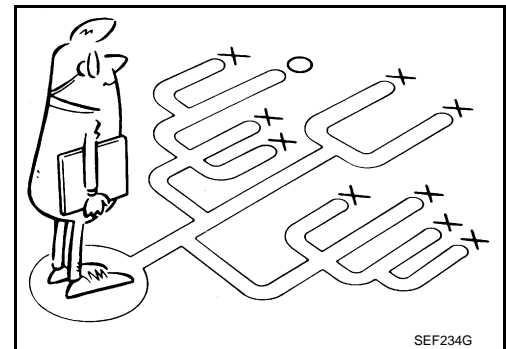
It is much more difficult to diagnose an incident that occurs intermittently rather than continuously. Most intermittent incidents are caused by poor electric connections or improper wiring. In this case, careful checking of suspected circuits may help prevent the replacement of good parts.



A visual check only may not find the cause of the incidents. A road test with CONSULT-III (or GST) or a circuit tester connected should be performed. Follow the Work Flow on "WORK FLOW".

Before undertaking actual checks, take a few minutes to talk with a customer who approaches with a driveability complaint. The customer can supply good information about such incidents, especially intermittent ones. Find out what symptoms are present and under what conditions they occur. A Diagnostic Worksheet like the example on "Worksheet Sample" should be used.

Start your diagnosis by looking for conventional malfunctions first. This will help troubleshoot driveability malfunctions on an electronically controlled engine vehicle.



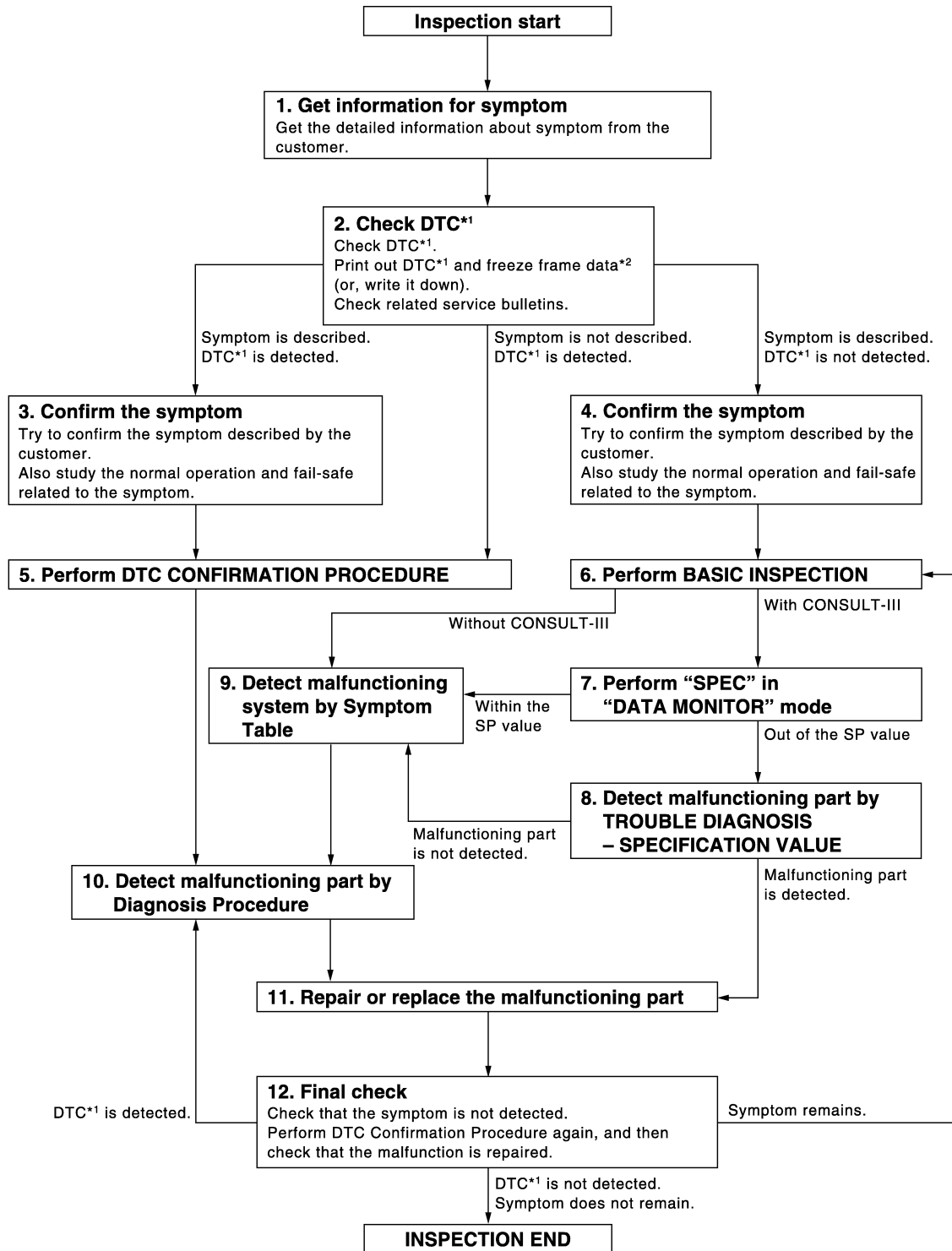
#### WORK FLOW

# DIAGNOSIS AND REPAIR WORK FLOW

< BASIC INSPECTION >

[VK56DE]

Overall Sequence



\*1: Include 1st trip DTC.

\*2: Include 1st trip freeze frame data.

JMBIA1416GB

Detailed Flow

## 1. GET INFORMATION FOR SYMPTOM

Get the detailed information from the customer about the symptom (the condition and the environment when the incident/malfunction occurred) using the DIAGNOSTIC WORKSHEET.

>> GO TO 2.

# DIAGNOSIS AND REPAIR WORK FLOW

[VK56DE]

< BASIC INSPECTION >

## 2. CHECK DTC

1. Check DTC.
2. Perform the following procedure if DTC is displayed.
  - Record DTC and freeze frame data. (Print them out with CONSULT-III or GST.)
  - Erase DTC. (Refer to [EC-525, "Emission-related Diagnostic Information"](#).)
  - Study the relationship between the cause detected by DTC and the symptom described by the customer. (Symptom Matrix Chart is useful. Refer to [EC-940, "Symptom Matrix Chart"](#).)
3. Check related service bulletins for information.

Are any symptoms described and any DTCs detected?

- Symptom is described, DTC is displayed>>GO TO 3.
- Symptom is described, DTC is not displayed>>GO TO 4.
- Symptom is not described, DTC is displayed>>GO TO 5.

## 3. CONFIRM THE SYMPTOM

Try to confirm the symptom described by the customer (except MIL ON).

DIAGNOSIS WORKSHEET is useful to verify the incident.

Also study the normal operation and fail-safe related to the symptom. Refer to [EC-944, "Fuel Cut Control \(at No Load and High Engine Speed\)"](#) and [EC-919, "Fail-Safe Chart"](#).

Verify relation between the symptom and the condition when the symptom is detected.

>> GO TO 5.

## 4. CONFIRM THE SYMPTOM

Try to confirm the symptom described by the customer.

DIAGNOSIS WORK SHEET is useful to verify the incident.

Also study the normal operation and fail-safe related to the symptom. Refer to [EC-944, "Fuel Cut Control \(at No Load and High Engine Speed\)"](#) and [EC-919, "Fail-Safe Chart"](#).

Verify relation between the symptom and the condition when the symptom is detected.

>> GO TO 6.

## 5. PERFORM DTC CONFIRMATION PROCEDURE

Perform DTC Confirmation Procedure for the displayed DTC, and then check that DTC is detected again.

If two or more DTCs are detected, refer to [EC-921, "DTC Inspection Priority Chart"](#) and determine trouble diagnosis order.

### NOTE:

- Freeze frame data is useful if the DTC is not detected.
- Perform Overall Function Check if DTC Confirmation Procedure is not included on Service Manual. This simplified check procedure is an effective alternative though DTC cannot be detected during this check. If the result of Overall Function Check is NG, it is the same as the detection of DTC by DTC Confirmation Procedure.

Is DTC detected?

- Yes >> GO TO 10.
- No >> Check according to WORK FLOW.

## 6. PERFORM BASIC INSPECTION

Perform [EC-495, "Basic Inspection"](#).

With CONSULT-III>>GO TO 7.

Without CONSULT-III>>GO TO 9.

## 7. PERFORM SPEC IN DATA MONITOR MODE

Ⓜ With CONSULT-III

Check that "MAS A/F SE-B1", "B/FUEL SCHDL", and "A/F ALPHA-B1", "A/F ALPHA-B2" are within the SP value using CONSULT-III "SPEC" in "DATA MONITOR" mode. Refer to [EC-557, "Inspection Procedure"](#).

Are they within the SP value?

- Yes >> GO TO 9.



# DIAGNOSIS AND REPAIR WORK FLOW

[VK56DE]

< BASIC INSPECTION >

No >> GO TO 8.

## 8. DETECT MALFUNCTIONING PART BY TROUBLE DIAGNOSIS - SPECIFICATION VALUE

Detect malfunctioning part according to [EC-558, "Diagnosis Procedure"](#).

Is a malfunctioning part detected?

Yes >> GO TO 11.

No >> GO TO 9.

## 9. DETECT MALFUNCTIONING SYSTEM BY SYMPTOM MATRIX CHART

Detect malfunctioning system according to [EC-940, "Symptom Matrix Chart"](#) based on the confirmed symptom in step 4, and determine the trouble diagnosis order based on possible causes and symptoms.

>> GO TO 10.

## 10. DETECT MALFUNCTIONING PART BY DIAGNOSTIC PROCEDURE

Inspect according to Diagnostic Procedure of the system.

### NOTE:

The Diagnostic Procedure in EC section described based on open circuit inspection. A short circuit inspection is also required for the circuit check in the Diagnostic Procedure. For details, refer to Circuit Inspection in [GI-52, "Circuit Inspection"](#).

Is a malfunctioning part detected?

Yes >> GO TO 11.

No >> Monitor input data from related sensors using CONSULT-III or check voltage of related ECM terminals. Refer to [EC-887, "CONSULT-III Reference Value in Data Monitor Mode"](#), [EC-890, "ECM Terminal and Reference Value"](#).

## 11. REPAIR OR REPLACE THE MALFUNCTIONING PART

1. Repair or replace the malfunctioning part.
2. Reconnect parts or connectors disconnected during Diagnostic Procedure again after repair and replacement.
3. Check DTC. If DTC is displayed, erase it, refer to [EC-525, "Emission-related Diagnostic Information"](#).

>> GO TO 12.

## 12. FINAL CHECK

When DTC was detected in step 2, perform DTC Confirmation Procedure or Overall Function Check again, and then check that the malfunction have been completely repaired.

When symptom was described from the customer, refer to confirmed symptom in step 3 or 4, and check that the symptom is not detected.

### OK or NG

NG (DTC is detected)>>GO TO 10.

NG (Symptom remains)>>GO TO 6.

OK >> 1. Before returning the vehicle to the customer, always erase unnecessary DTC in ECM and TCM. (Refer to [EC-525, "Emission-related Diagnostic Information"](#) and [TM-34, "OBD-II Diagnostic Trouble Code \(DTC\)"](#).)

2. If the completion of SRT is needed, drive vehicle under the specific driving pattern. Refer to Driving Pattern in [EC-525, "Emission-related Diagnostic Information"](#).

3. INSPECTION END

## DIAGNOSTIC WORKSHEET

Description



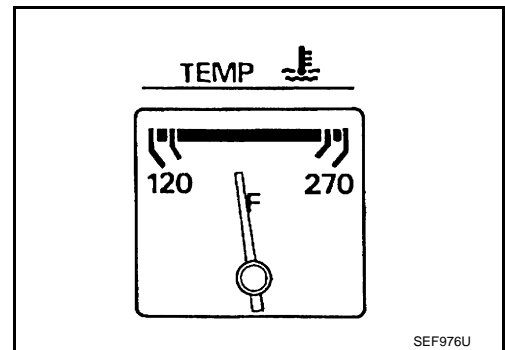
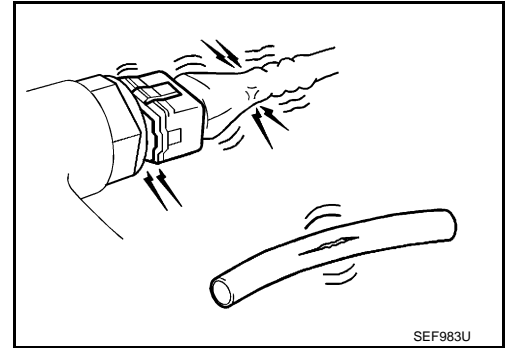
## INSPECTION AND ADJUSTMENT

### Basic Inspection

INFOID:000000003936453

#### 1. INSPECTION START

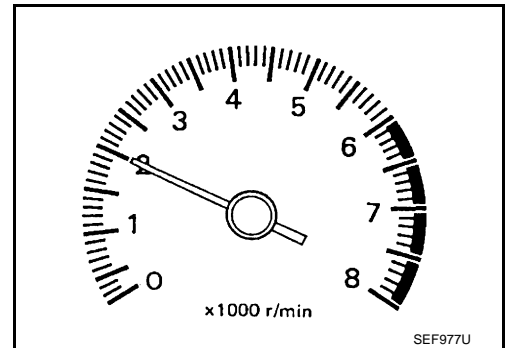
1. Check service records for any recent repairs that may indicate a related malfunction, or a current need for scheduled maintenance.
2. Open engine hood and check the following:
  - Harness connectors for improper connections
  - Wiring harness for improper connections, pinches and cut
  - Vacuum hoses for splits, kinks and improper connections
  - Hoses and ducts for leakage
  - Air cleaner clogging
  - Gasket
3. Check that electrical or mechanical loads are not applied.
  - Headlamp switch is OFF.
  - Air conditioner switch is OFF.
  - Rear window defogger switch is OFF.
  - Steering wheel is in the straight-ahead position, etc.
4. Start engine and warm it up until engine coolant temperature indicator points to the middle of gauge. Check that engine stays below 1,000 rpm.



5. Run engine at approximately 2,000 rpm for approximately 2 minutes under no load.
6. Check that no DTC is displayed with CONSULT-III or GST.

#### OK or NG

- OK >> GO TO 3.
- NG >> GO TO 2.



#### 2. REPAIR OR REPLACE

Repair or replace components as necessary according to corresponding Diagnostic Procedure.

>> GO TO 3.

#### 3. CHECK TARGET IDLE SPEED

##### Ⓜ With CONSULT-III

1. Run engine at approximately 2,000 rpm for approximately 2 minutes under no load.

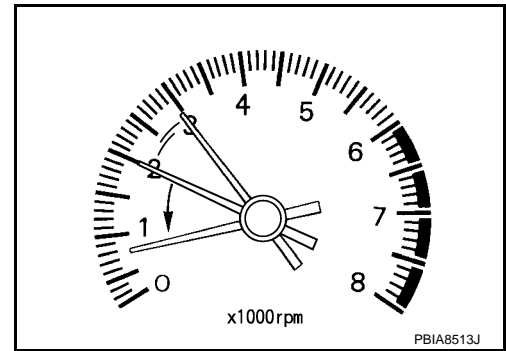
# INSPECTION AND ADJUSTMENT

[VK56DE]

## < BASIC INSPECTION >

- Rev engine between 2,000 and 3,000 rpm 2 or 3 times under no load, then run engine at idle speed for approximately 1 minute.
- Read idle speed in "DATA MONITOR" mode with CONSULT-III.  
Refer to [EC-499, "Idle Speed and Ignition Timing Check"](#).

**650 ± 50 rpm (in P or N position)**



### ⊗ Without CONSULT-III

- Run engine at approximately 2,000 rpm for approximately 2 minutes under no load.
- Rev engine between 2,000 and 3,000 rpm 2 or 3 times under no load, then run engine at idle speed for approximately 1 minute.
- Check idle speed.  
Refer to [EC-499, "Idle Speed and Ignition Timing Check"](#).

**650 ± 50 rpm (in P or N position)**

### OK or NG

- OK >> GO TO 10.  
NG >> GO TO 4.

## 4. PERFORM ACCELERATOR PEDAL RELEASED POSITION LEARNING

- Stop engine.
- Perform [EC-500, "Accelerator Pedal Released Position Learning"](#).

>> GO TO 5.

## 5. PERFORM THROTTLE VALVE CLOSED POSITION LEARNING

Perform [EC-500, "Throttle Valve Closed Position Learning"](#).

>> GO TO 6.

## 6. PERFORM IDLE AIR VOLUME LEARNING

Refer to [EC-500, "Idle Air Volume Learning"](#).

**Is Idle Air Volume Learning carried out successfully?**

### Yes or No

- Yes >> GO TO 7.  
No >> 1. Follow the instructions of Idle Air Volume Learning.  
2. GO TO 4.

## 7. CHECK TARGET IDLE SPEED AGAIN

### Ⓜ With CONSULT-III

- Start engine and warm it up to normal operating temperature.
- Read idle speed in "DATA MONITOR" mode with CONSULT-III.  
Refer to [EC-499, "Idle Speed and Ignition Timing Check"](#).

**650 ± 50 rpm (in P or N position)**

### ⊗ Without CONSULT-III

- Start engine and warm it up to normal operating temperature.
- Check idle speed.  
Refer to [EC-499, "Idle Speed and Ignition Timing Check"](#).

**650 ± 50 rpm (in P or N position)**

### OK or NG

< BASIC INSPECTION >

- OK >> GO TO 10.
- NG >> GO TO 8.

## 8. DETECT MALFUNCTIONING PART

Check the following.

- Check camshaft position sensor (PHASE) and circuit. Refer to [EC-691, "DTC Confirmation Procedure"](#).
- Check crankshaft position sensor (POS) and circuit. Refer to [EC-687, "DTC Confirmation Procedure"](#).

OK or NG

- OK >> GO TO 9.
- NG >> 1. Repair or replace malfunctioning part.
- 2. GO TO 4.

## 9. CHECK ECM FUNCTION

1. Substitute with a non-malfunctioning ECM to check ECM function. (ECM may be the cause of the incident, but this is rare.)
2. Perform initialization of NVIS (NATS) system and registration of all NVIS (NATS) ignition key IDs. Refer to [SEC-8, "ECM RE-COMMUNICATING FUNCTION : Special Repair Requirement"](#) (with intelligent key system), [SEC-124, "ECM RE-COMMUNICATING FUNCTION : Special Repair Requirement"](#) (without intelligent key system).

>> GO TO 4.

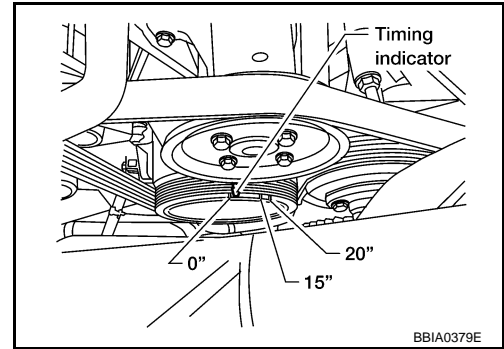
## 10. CHECK IGNITION TIMING

1. Run engine at idle.
2. Check ignition timing with a timing light.  
Refer to [EC-499, "Idle Speed and Ignition Timing Check"](#).

**15 ± 5° BTDC (in P or N position)**

OK or NG

- OK >> GO TO 19.
- NG >> GO TO 11.



## 11. PERFORM ACCELERATOR PEDAL RELEASED POSITION LEARNING

1. Stop engine.
2. Perform [EC-500, "Accelerator Pedal Released Position Learning"](#).

>> GO TO 12.

## 12. PERFORM THROTTLE VALVE CLOSED POSITION LEARNING

Perform [EC-500, "Throttle Valve Closed Position Learning"](#).

>> GO TO 13.

## 13. PERFORM IDLE AIR VOLUME LEARNING

Refer to [EC-500, "Idle Air Volume Learning"](#).

**Is Idle Air Volume Learning carried out successfully?**

Yes or No

- Yes >> GO TO 14.
- No >> 1. Follow the instructions of Idle Air Volume Learning.
- 2. GO TO 4.

## 14. CHECK TARGET IDLE SPEED AGAIN

**With CONSULT-III**

1. Start engine and warm it up to normal operating temperature.

# INSPECTION AND ADJUSTMENT

[VK56DE]

## < BASIC INSPECTION >

2. Read idle speed in "DATA MONITOR" mode with CONSULT-III.  
Refer to [EC-499, "Idle Speed and Ignition Timing Check"](#).

**650 ± 50 rpm (in P or N position)**

### ⊗ Without CONSULT-III

1. Start engine and warm it up to normal operating temperature.
2. Check idle speed.  
Refer to [EC-499, "Idle Speed and Ignition Timing Check"](#).

**650 ± 50 rpm (in P or N position)**

### OK or NG

- OK >> GO TO 15.  
NG >> GO TO 17.

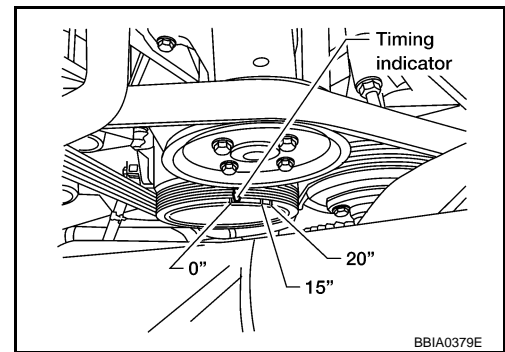
## 15.CHECK IGNITION TIMING AGAIN

1. Run engine at idle.
2. Check ignition timing with a timing light.  
Refer to [EC-499, "Idle Speed and Ignition Timing Check"](#).

**15 ± 5° BTDC (in P or N position)**

### OK or NG

- OK >> GO TO 19.  
NG >> GO TO 16.



## 16.CHECK TIMING CHAIN INSTALLATION

Check timing chain installation. Refer to [EM-187, "Removal and Installation"](#).

### OK or NG

- OK >> GO TO 17.  
NG >> 1. Repair the timing chain installation.  
2. GO TO 4.

## 17.DETECT MALFUNCTIONING PART

Check the following.

- Check camshaft position sensor (PHASE) and circuit. Refer to [EC-691, "DTC Confirmation Procedure"](#).
- Check crankshaft position sensor (POS) and circuit. Refer to [EC-687, "DTC Confirmation Procedure"](#).

### OK or NG

- OK >> GO TO 18.  
NG >> 1. Repair or replace.  
2. GO TO 4.

## 18.CHECK ECM FUNCTION

1. Substitute with a non-malfunctioning ECM to check ECM function. (ECM may be the cause of the incident, although this is rare.)
2. Perform initialization of NVIS (NATS) system and registration of all NVIS (NATS) ignition key IDs. Refer to [SEC-8, "ECM RE-COMMUNICATING FUNCTION : Special Repair Requirement"](#) (with intelligent key system), [SEC-124, "ECM RE-COMMUNICATING FUNCTION : Special Repair Requirement"](#) (without intelligent key system).

>> GO TO 4.

## 19.INSPECTION END

If ECM is replaced during this Basic Inspection procedure, perform [EC-499, "Procedure After Replacing ECM"](#).

&gt;&gt; INSPECTION END

## Idle Speed and Ignition Timing Check

INFOID:000000003936454

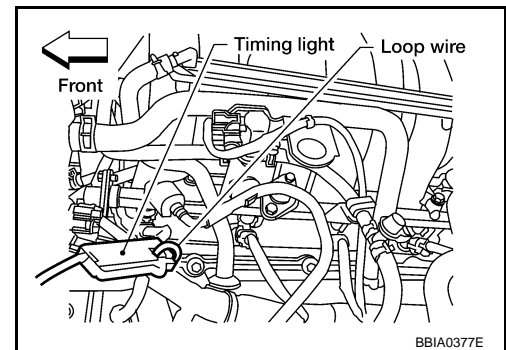
## IDLE SPEED

④ With CONSULT-III  
Check idle speed in "DATA MONITOR" mode with CONSULT-III.

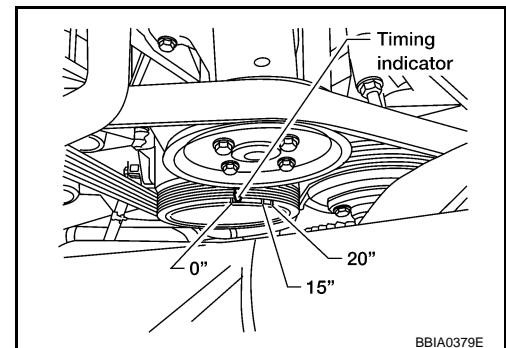
④ With GST  
Check idle speed with GST.

## IGNITION TIMING

1. Attach timing light to loop wire as shown.



2. Check ignition timing.



## Procedure After Replacing ECM

INFOID:000000003936455

When replacing ECM, the following procedure must be performed.

1. Perform initialization of NVIS (NATS) system and registration of all NVIS (NATS) ignition key IDs. Refer to [SEC-8. "ECM RE-COMMUNICATING FUNCTION : Special Repair Requirement"](#) (with intelligent key system), [SEC-124. "ECM RE-COMMUNICATING FUNCTION : Special Repair Requirement"](#) (without intelligent key system).
2. Perform [EC-499. "VIN Registration"](#).
3. Perform [EC-500. "Accelerator Pedal Released Position Learning"](#).
4. Perform [EC-500. "Throttle Valve Closed Position Learning"](#).
5. Perform [EC-500. "Idle Air Volume Learning"](#).

## VIN Registration

INFOID:000000003936456

## DESCRIPTION

VIN Registration is a function of ECM to register VIN in ECM. It must be performed each time ECM is replaced.

**NOTE:**

Accurate VIN which is registered in ECM may be required for Inspection & Maintenance (I/M).

## OPERATION PROCEDURE

Ⓟ With CONSULT-III

1. Check the VIN of the vehicle and note it. Refer to [GI-33, "Identification Number"](#).
2. Turn ignition switch ON with engine stopped.
3. Select "VIN REGISTRATION" in "WORK SUPPORT" mode.
4. Follow the instructions on the CONSULT-III display.

## Accelerator Pedal Released Position Learning

INFOID:000000003936457

### DESCRIPTION

Accelerator Pedal Released Position Learning is a function of ECM to learn the fully released position of the accelerator pedal by monitoring the accelerator pedal position sensor output signal. It must be performed each time the harness connector of the accelerator pedal position sensor or ECM is disconnected.

### OPERATION PROCEDURE

1. Check that accelerator pedal is fully released.
2. Turn ignition switch ON and wait at least 2 seconds.
3. Turn ignition switch OFF and wait at least 10 seconds.
4. Turn ignition switch ON and wait at least 2 seconds.
5. Turn ignition switch OFF and wait at least 10 seconds.

## Throttle Valve Closed Position Learning

INFOID:000000003936458

### DESCRIPTION

Throttle Valve Closed Position Learning is a function of ECM to learn the fully closed position of the throttle valve by monitoring the throttle position sensor output signal. It must be performed each time the harness connector of the electric throttle control actuator or ECM is disconnected.

### OPERATION PROCEDURE

1. Check that accelerator pedal is fully released.
2. Turn ignition switch ON.
3. Turn ignition switch OFF wait at least 10 seconds.  
Check that throttle valve moves during above 10 seconds by confirming the operating sound.

## Idle Air Volume Learning

INFOID:000000003936459

### DESCRIPTION

Idle Air Volume Learning is a function of ECM to learn the idle air volume that keeps engine idle speed within the specific range. It must be performed under the following conditions:

- Each time the electric throttle control actuator or ECM is replaced.
- Idle speed or ignition timing is out of the specification.

### PREPARATION

Before performing Idle Air Volume Learning, check that all of the following conditions are satisfied. Learning will be cancelled if any of the following conditions are missed for even a moment.

- Battery voltage: More than 12.9V (At idle)
- Engine coolant temperature: 70 - 100°C (158 - 212°F)
- Selector lever position: P or N
- Electric load switch: OFF

(Air conditioner, headlamp, rear window defogger)

**On vehicles equipped with daytime light systems, if the parking brake is applied before the engine is started the headlamp will not be illuminated.**

- Steering wheel: Neutral (Straight-ahead position)
- Vehicle speed: Stopped
- Transmission: Warmed-up
- With CONSULT-III: Drive vehicle until "ATF TEMP SE 1" in "DATA MONITOR" mode of "A/T" system indicates less than 0.9 V.
- Without CONSULT-III: Drive vehicle for 10 minutes.

### OPERATION PROCEDURE



# INSPECTION AND ADJUSTMENT

< BASIC INSPECTION >

[VK56DE]

④ With CONSULT-III

1. Perform [EC-500, "Accelerator Pedal Released Position Learning"](#).
2. Perform [EC-500, "Throttle Valve Closed Position Learning"](#).
3. Start engine and warm it up to normal operating temperature.
4. Check that all items listed under the topic PREPARATION (previously mentioned) are in good order.
5. Select "IDLE AIR VOL LEARN" in "WORK SUPPORT" mode.
6. Touch "START" and wait 20 seconds.
7. Check that "CMPLT" is displayed on CONSULT-III screen. If "CMPLT" is not displayed, Idle Air Volume Learning will not be carried out successfully. In this case, find the cause of the incident by referring to the DIAGNOSTIC PROCEDURE below.
8. Rev up engine 2 or 3 times and check that idle speed and ignition timing are within the specifications.

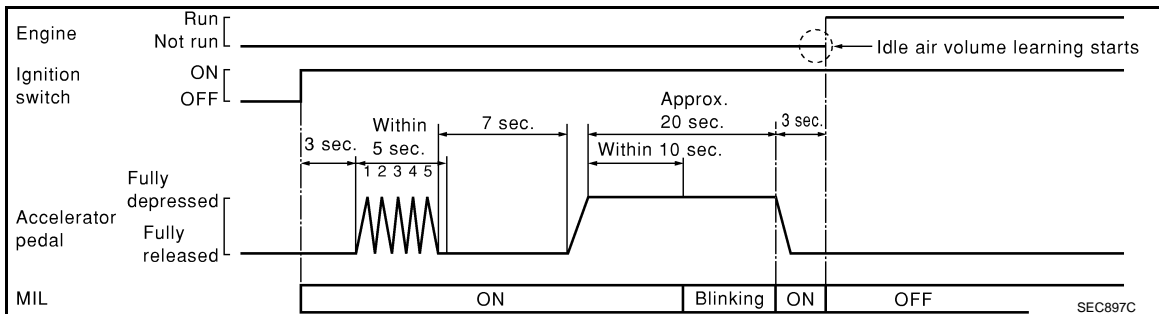
ITEM	SPECIFICATION
Idle speed	650 ± 50 rpm (in P or N position)
Ignition timing	15 ± 5°BTDC (in P or N position)

⊗ Without CONSULT-III

**NOTE:**

- It is better to count the time accurately with a clock.
- It is impossible to switch the diagnostic mode when an accelerator pedal position sensor circuit has a malfunction.

1. Perform [EC-500, "Accelerator Pedal Released Position Learning"](#).
2. Perform [EC-500, "Throttle Valve Closed Position Learning"](#).
3. Start engine and warm it up to normal operating temperature.
4. Check that all items listed under the topic PREPARATION (previously mentioned) are in good order.
5. Turn ignition switch OFF and wait at least 10 seconds.
6. Check that accelerator pedal is fully released, turn ignition switch ON and wait 3 seconds.
7. Repeat the following procedure quickly 5 times within 5 seconds.
  - a. Fully depress the accelerator pedal.
  - b. Fully release the accelerator pedal.
8. Wait 7 seconds, fully depress the accelerator pedal for approximately 20 seconds until the MIL stops blinking and turns ON.
9. Fully release the accelerator pedal within 3 seconds after the MIL turns ON.
10. Start engine and let it idle.
11. Wait 20 seconds.



12. Rev up engine 2 or 3 times and check that idle speed and ignition timing are within the specifications.

ITEM	SPECIFICATION
Idle speed	650 ± 50 rpm (in P or N position)
Ignition timing	15 ± 5°BTDC (in P or N position)

## INSPECTION AND ADJUSTMENT

< BASIC INSPECTION >

[VK56DE]

13. If idle speed and ignition timing are not within the specifications, Idle Air Volume Learning will not be carried out successfully. In this case, find the cause of the incident by referring to the DIAGNOSTIC PROCEDURE below.

### DIAGNOSTIC PROCEDURE

**If idle air volume learning cannot be performed successfully, proceed as per the following:**

1. Check that throttle valve is fully closed.
2. Check PCV valve operation.
3. Check that downstream of throttle valve is free from air leakage.
4. When the above three items check out OK, engine component parts and their installation condition are questionable. Check and eliminate the cause of the incident.  
It is useful to perform [EC-557, "Inspection Procedure"](#).
5. If any of the following conditions occur after the engine has started, eliminate the cause of the incident and perform Idle Air Volume Learning again:
  - Engine stalls.
  - Erroneous idle.

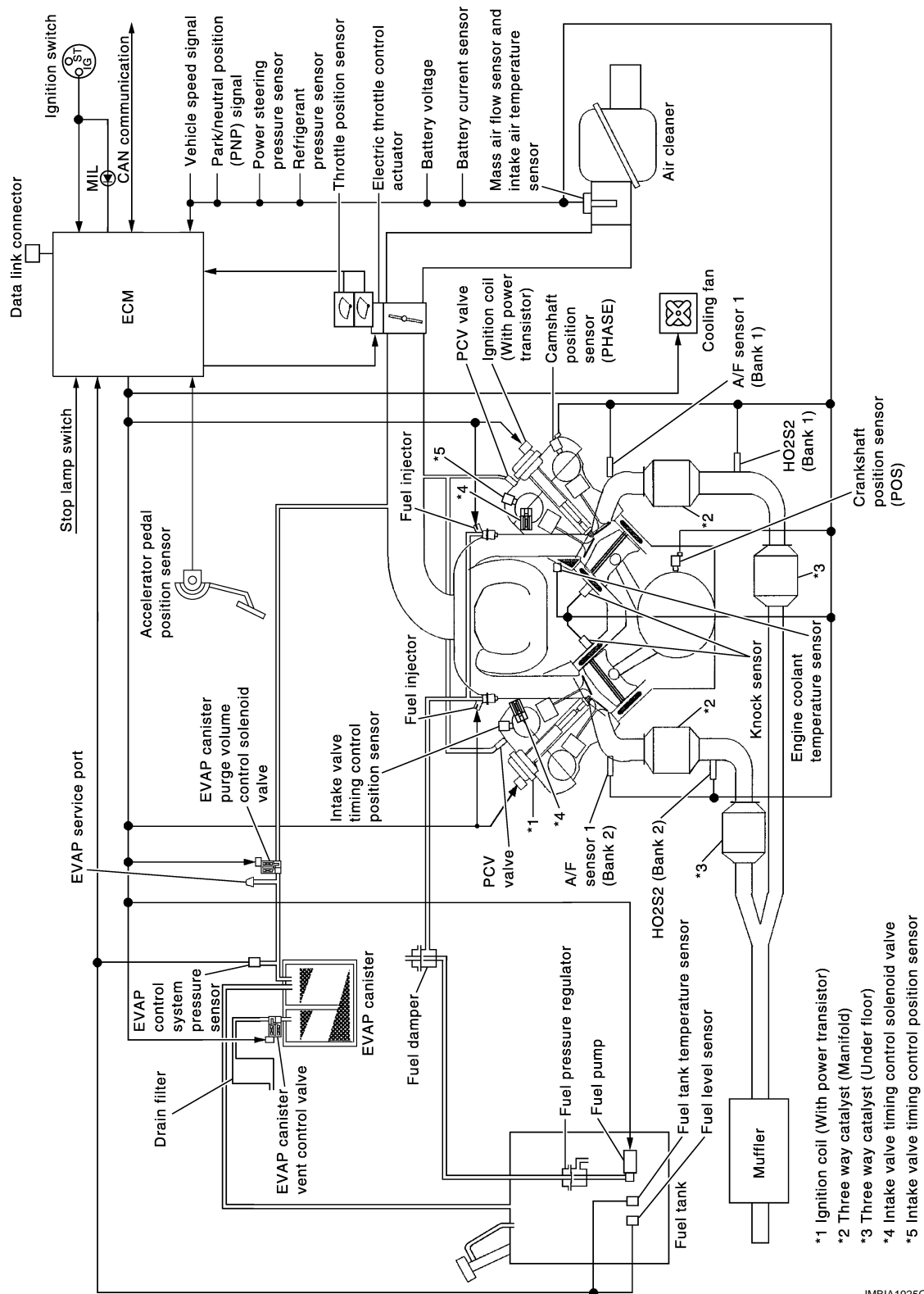
< FUNCTION DIAGNOSIS >

## FUNCTION DIAGNOSIS

### ENGINE CONTROL SYSTEM

#### System Diagram

INFOID:000000003936460



- \*1 Ignition coil (With power transistor)
- \*2 Three way catalyst (Manifold)
- \*3 Three way catalyst (Under floor)
- \*4 Intake valve timing control solenoid valve
- \*5 Intake valve timing control position sensor

JMBIA1925GB

A  
C  
D  
E  
F  
G  
H  
I  
J  
K  
L  
M  
N  
O  
P

EC

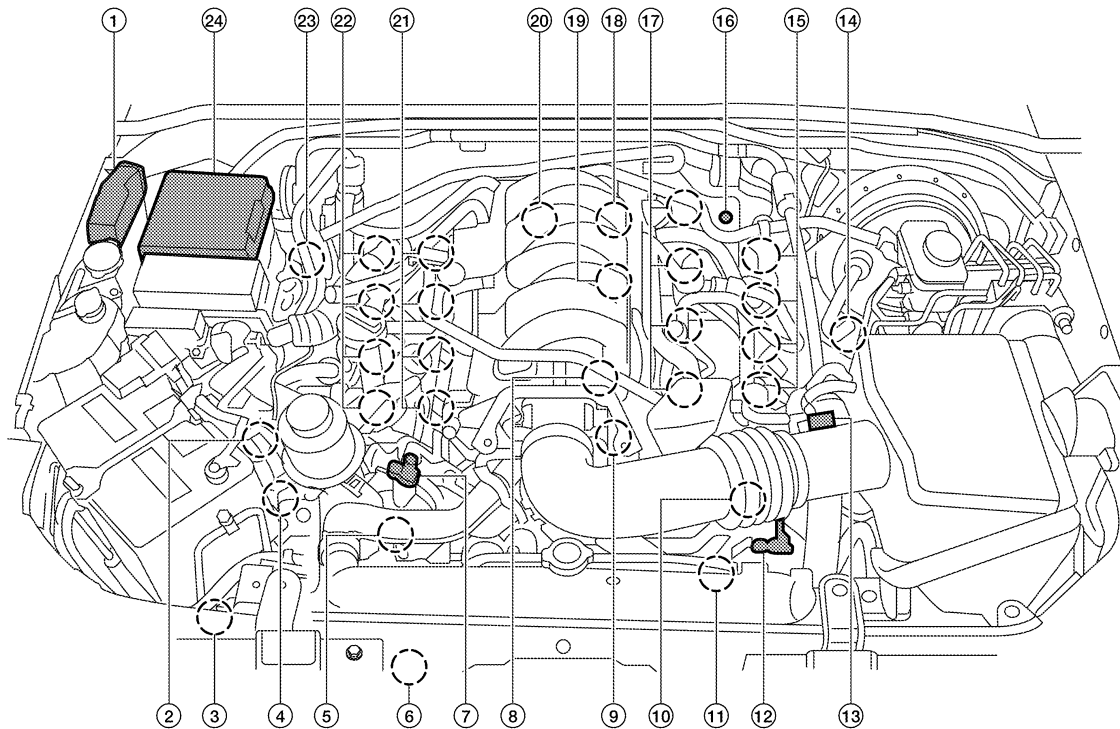
# ENGINE CONTROL SYSTEM

< FUNCTION DIAGNOSIS >

[VK56DE]

## Engine Control Component Parts Location

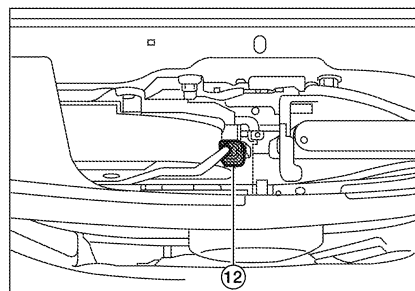
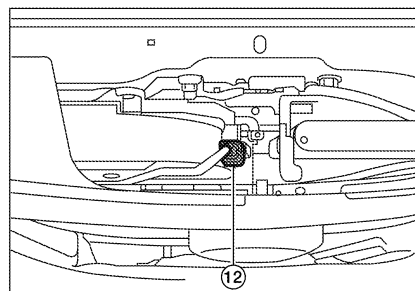
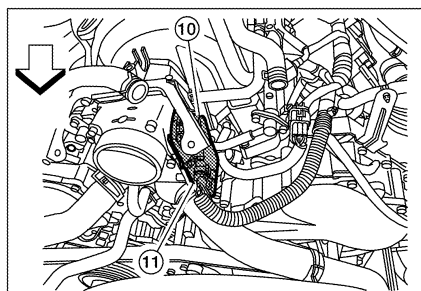
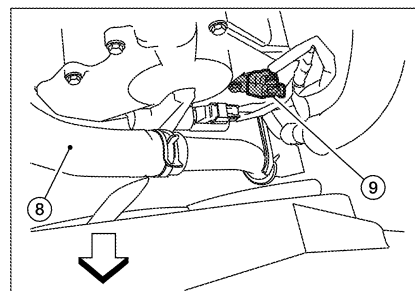
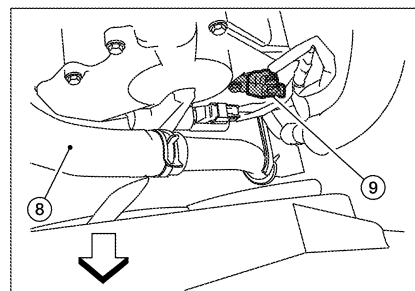
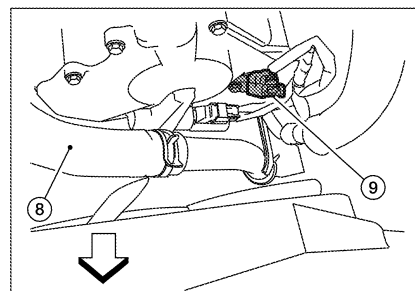
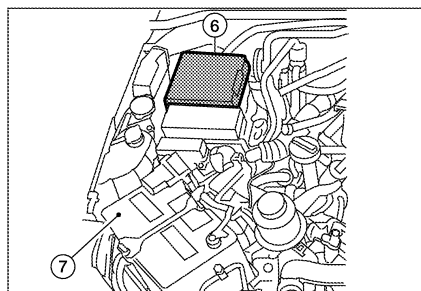
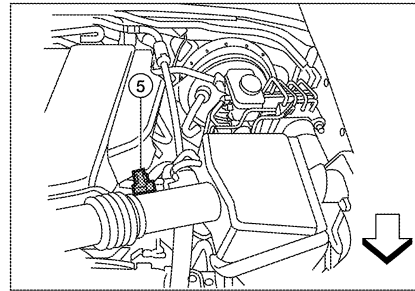
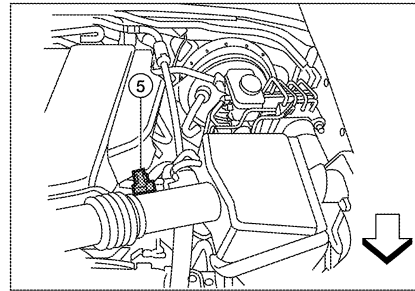
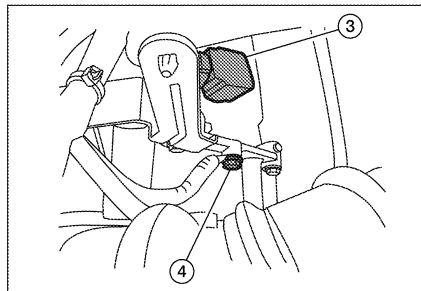
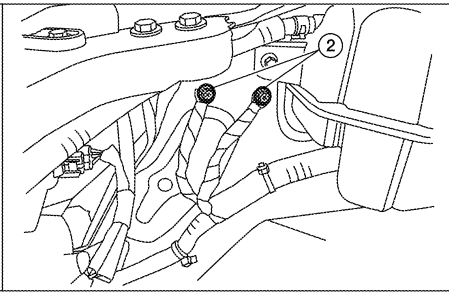
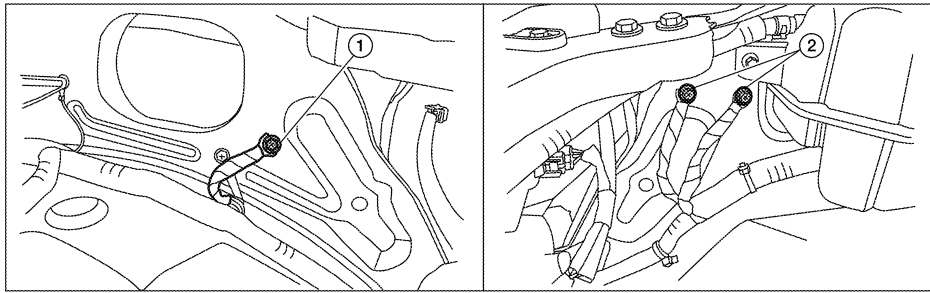
INFOID:000000003936461



ALBIA0352ZZ

- |   |   |   |
|---|---|---|
| 1. ECM  | 2. Battery current sensor                               | 3. Refrigerant pressure sensor                                    |
| 4. Power steering pressure sensor                                 | 5. Intake valve timing control solenoid valve (bank 2)  | 6. Cooling fan motor  |
| 7. Intake valve timing control position sensor (bank 2)           | 8. Engine coolant temperature sensor                    | 9. Electric throttle control actuator                             |
| 10. Intake valve timing control position sensor (bank 1)          | 11. Intake valve timing control solenoid valve (bank 1) | 12. Camshaft position sensor (PHASE)                              |
| 13. Mass air flow sensor (with intake air temperature sensor)     | 14. A/F sensor 1 (bank 1)                               | 15. Ignition coil (with power transistor) and spark plug (bank 1) |
| 16. EVAP service port   | 17. Fuel injector (bank 1)                              | 18. Knock sensor (bank 1)   |
| 19. EVAP canister purge volume control solenoid valve             | 20. Knock sensor (bank 2)                               | 21. Fuel injector (bank 2)  |
| 22. Ignition coil (with power transistor) and spark plug (bank 2) | 23. A/F sensor 1 (bank 2)                               | 24. IPDM E/R  |

A  
EC  
C  
D  
E  
F  
G  
H  
I  
J  
K  
L  
M  
N  
O  
P



- |   |  |                                     |
|---|--|-------------------------------------|
| 1. Body ground (view with air cleaner case removed) | 2. Body ground (view with battery removed)                   | 3. No.1 ignition coil               |
| 4. Engine ground                                    | 5. Mass air flow sensor (with intake air temperature sensor) | 6. IPDM E/R                         |
| 7. Battery  | 8. Radiator hose   | 9. Camshaft position sensor (PHASE) |

AWBIA0081ZZ

# ENGINE CONTROL SYSTEM

[VK56DE]

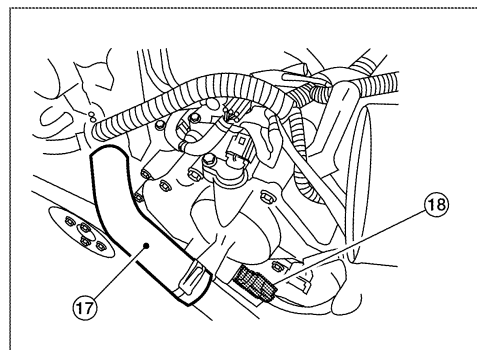
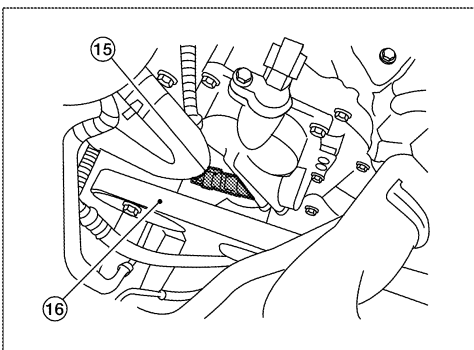
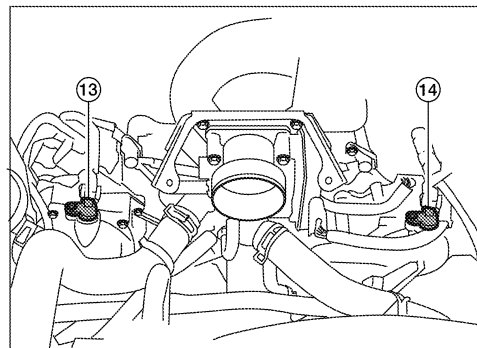
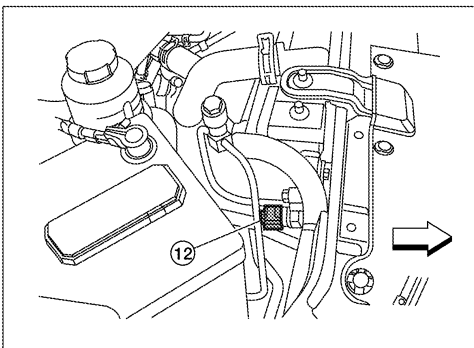
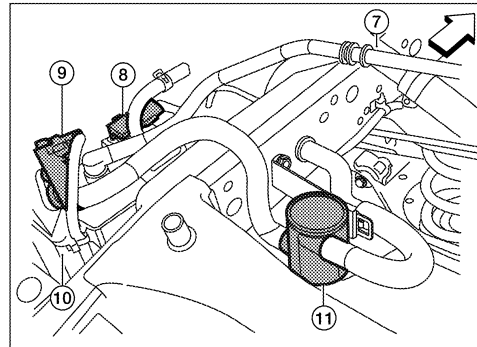
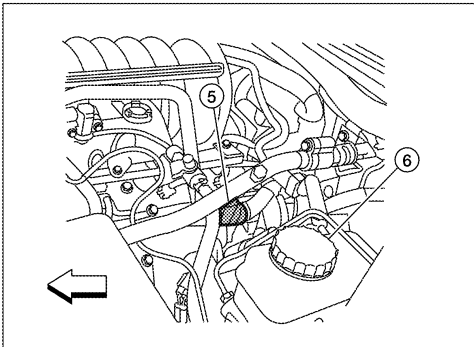
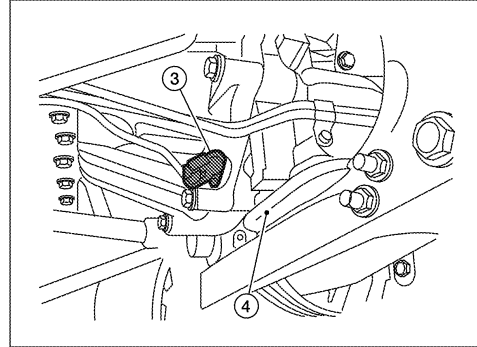
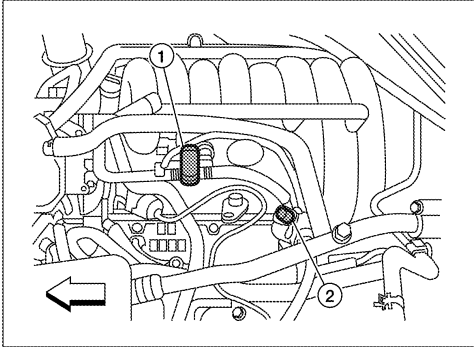
## < FUNCTION DIAGNOSIS >

10. Electric throttle control actuator  
(view with intake air duct removed)

11. Electronic throttle control actuator  
harness connector (view with intake  
air duct removed)

12. Cooling fan motor harness connec-  
tor

← : Vehicle front



AWBIA0082ZZ

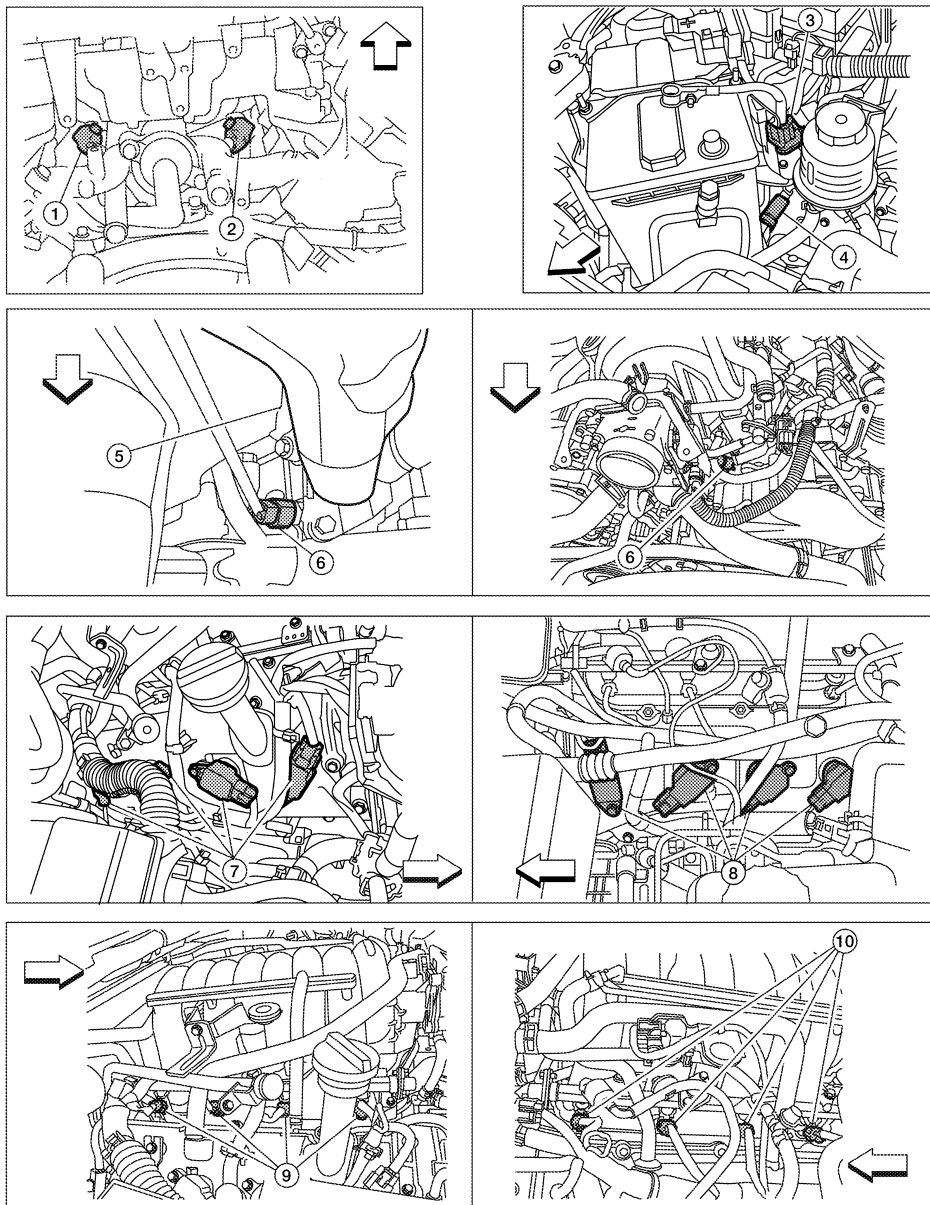
# ENGINE CONTROL SYSTEM

[VK56DE]

## < FUNCTION DIAGNOSIS >

- |   |  |  |
|---|--|--|
| 1. EVAP canister purge volume control solenoid valve (view with engine cover removed)                         | 2. EVAP service port   | 3. Crankshaft position sensor (POS) (view from under vehicle)  |
| 4. Engine oil pan   | 5. Condenser-1   | 6. Brake fluid reservoir   |
| 7. Fuel filler pipe (top of frame view)   | 8. EVAP control system pressure sensor                                 | 9. EVAP canister vent control valve  |
| 10. EVAP canister   | 11. Drain filter   | 12. Refrigerant pressure sensor  |
| 13. Intake valve timing control position sensor (bank 2) (view with engine cover and intake air duct removed) | 14. Intake valve timing control position sensor (bank 1)               | 15. Intake valve timing control solenoid valve (bank 2) (view with engine cover and intake air duct removed) |
| 16. Drive belt  | 17. Radiator hose (view with engine cover and intake air duct removed) | 18. Intake valve timing control solenoid valve (bank 1)  |

← : Vehicle front



- |   |   |                                      |
|---|---|--------------------------------------|
| 1. Knock sensor (bank 1) (view with engine removed) | 2. Knock sensor (bank 2) (view with engine removed) | 3. Battery current sensor            |
| 4. Power steering pressure sensor                   | 5. Intake manifold                                  | 6. Engine coolant temperature sensor |

ALBIA0369ZZ

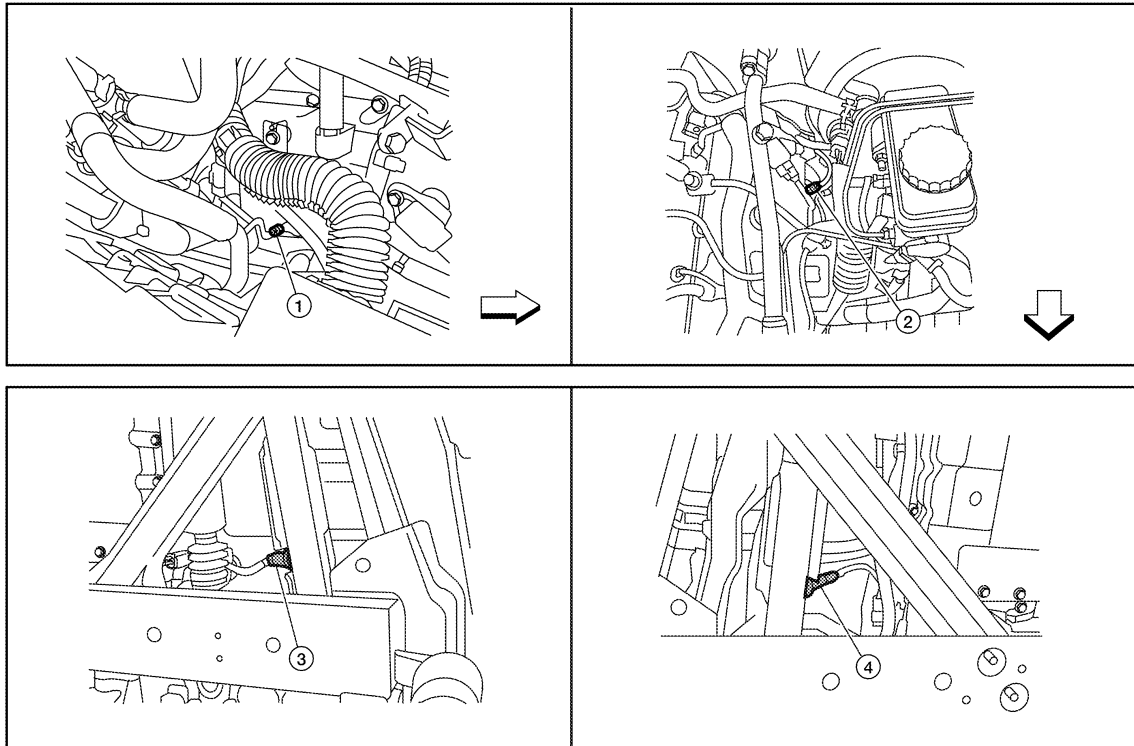
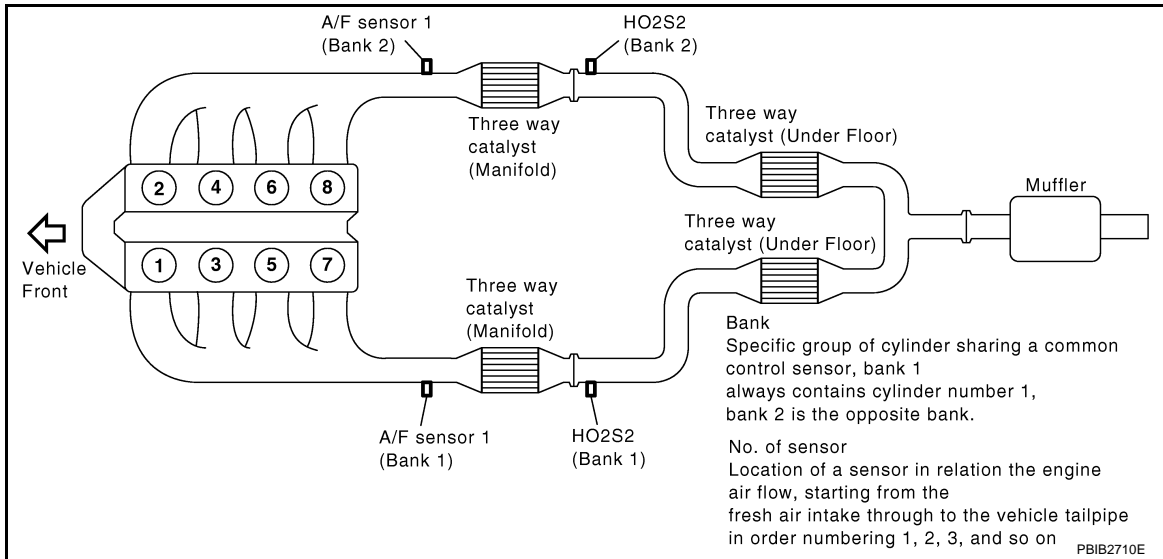
# ENGINE CONTROL SYSTEM

[VK56DE]

## < FUNCTION DIAGNOSIS >

- 7. Ignition coil (with power transistor) (bank2)
- 8. Ignition coil (with power transistor) (bank 1)
- 9. Fuel injector harness connectors (bank 2)
- 10. Fuel injector harness connectors (bank 1)

← : Vehicle front

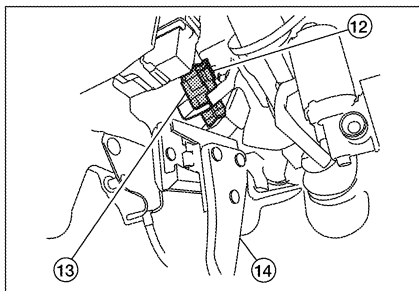
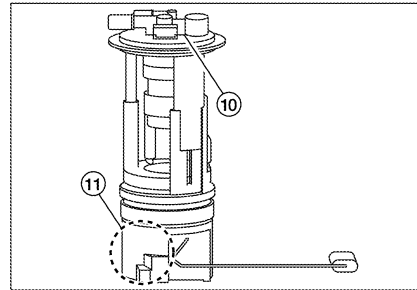
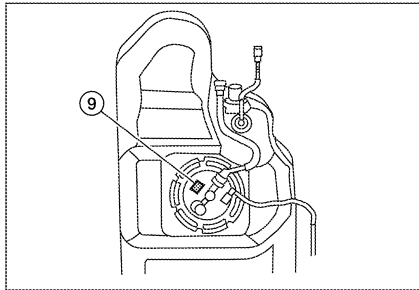
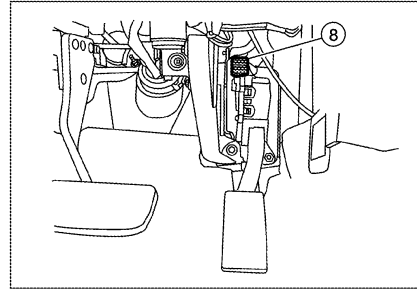
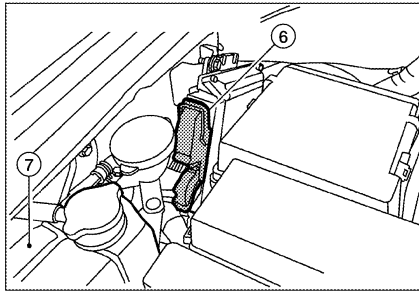
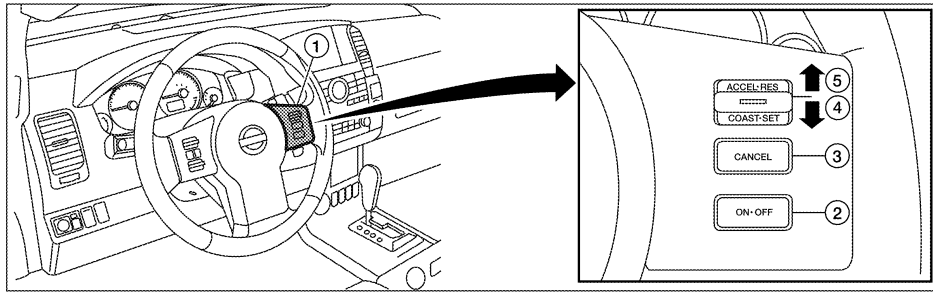


AWBIA0083ZZ

- 1. A/F sensor 1 (bank 2)
- 2. A/F sensor 1 (bank 1)
- 3. Heated oxygen sensor 2 (bank 1)
- 4. Heated oxygen sensor 2 (bank 2)

← : Vehicle front





- |                         |                                      |   |
|-------------------------|--------------------------------------|---|
| 1. ASCD steering switch | 2. MAIN switch                       | 3. CANCEL switch  |
| 4. SET/COAST switch     | 5. RESUME/ACCELERATE switch          | 6. ECM harness connectors (view with ECM cover removed)                                 |
| 7. Coolant reservoir    | 8. Accelerator pedal position sensor | 9. Fuel level sensor unit and fuel pump harness connector (view with fuel tank removed) |

AWBIA0084ZZ

# ENGINE CONTROL SYSTEM

< FUNCTION DIAGNOSIS >

[VK56DE]

- 
- |   |                             |                       |
|---|-----------------------------|-----------------------|
| 10. Fuel pump, fuel level sensor unit and fuel filter | 11. Fuel pressure regulator | 12. ASCD brake switch |
| 13. Stop lamp switch                                  | 14. Brake pedal             |                       |

# MULTIPOINT FUEL INJECTION SYSTEM

< FUNCTION DIAGNOSIS >

[VK56DE]

## MULTIPOINT FUEL INJECTION SYSTEM

### System Description

INFOID:000000003936462

### INPUT/OUTPUT SIGNAL CHART

Sensor	Input signal to ECM	ECM function	Actuator
Crankshaft position sensor (POS)	Engine speed*3	Fuel injection & mixture ratio control	Fuel injector
Camshaft position sensor (PHASE)	Piston position		
Mass air flow sensor	Amount of intake air		
Engine coolant temperature sensor	Engine coolant temperature		
Air fuel ratio (A/F) sensor 1	Density of oxygen in exhaust gas		
Throttle position sensor	Throttle position		
Accelerator pedal position sensor	Accelerator pedal position		
Knock sensor	Engine knocking condition		
Battery	Battery voltage*3		
Power steering pressure sensor	Power steering operation		
Heated oxygen sensor 2*1	Density of oxygen in exhaust gas		
ABS actuator and electric unit (control unit)	VDC/TCS operation command*2		
Air conditioner switch	Air conditioner operation*2		
Unified meter control unit	Gear position		
	Vehicle speed*2		

\*1: This sensor is not used to control the engine system. This is used only for the on board diagnosis.

\*2: This signal is sent to the ECM via the CAN communication line.

\*3: ECM determines the start signal status by the signals of engine speed and battery voltage.

### SYSTEM DESCRIPTION

The amount of fuel injected from the fuel injector is determined by the ECM. The ECM controls the length of time the valve remains open (injection pulse duration). The amount of fuel injected is a program value in the ECM memory. The program value is preset by engine operating conditions. These conditions are determined by input signals (for engine speed and intake air) from the crankshaft position sensor, the camshaft position sensor and the mass air flow sensor.

### VARIOUS FUEL INJECTION INCREASE/DECREASE COMPENSATION

In addition, the amount of fuel injected is compensated to improve engine performance under various operating conditions as listed below.

<Fuel increase>

- During warm-up
- When starting the engine
- During acceleration
- Hot-engine operation
- When selector lever position is changed from N to D
- High-load, high-speed operation

<Fuel decrease>

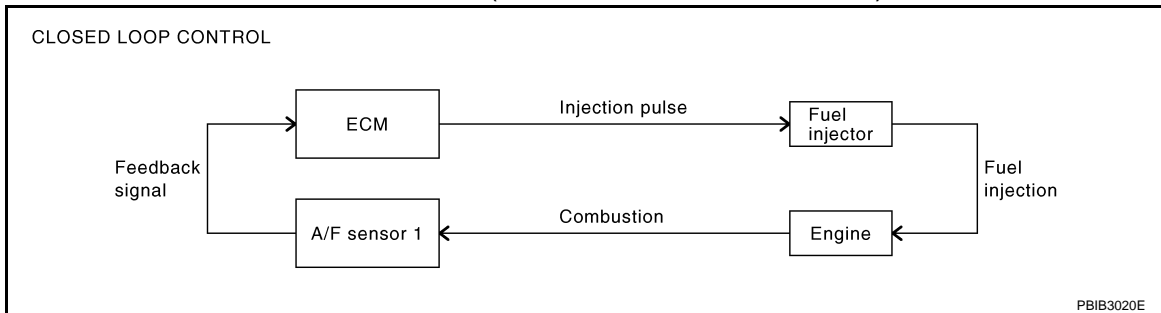
- During deceleration
- During high engine speed operation

# MULTIPOINT FUEL INJECTION SYSTEM

[VK56DE]

< FUNCTION DIAGNOSIS >

## MIXTURE RATIO FEEDBACK CONTROL (CLOSED LOOP CONTROL)



The mixture ratio feedback system provides the best air-fuel mixture ratio for driveability and emission control. The three way catalyst (manifold) can then better reduce CO, HC and NOx emissions. This system uses air fuel ratio (A/F) sensor 1 in the exhaust manifold to monitor whether the engine operation is rich or lean. The ECM adjusts the injection pulse width according to the sensor voltage signal. For more information about A/F sensor 1, refer to [EC-621, "Component Description"](#). This maintains the mixture ratio within the range of stoichiometric (ideal air-fuel mixture).

This stage is referred to as the closed loop control condition.

Heated oxygen sensor 2 is located downstream of the three way catalyst (manifold). Even if the switching characteristics of A/F sensor 1 shift, the air-fuel ratio is controlled to stoichiometric by the signal from heated oxygen sensor 2.

### Open Loop Control

The open loop system condition refers to when the ECM detects any of the following conditions. Feedback control stops in order to maintain stabilized fuel combustion.

- Deceleration and acceleration
- High-load, high-speed operation
- Malfunction of A/F sensor 1 or its circuit
- Insufficient activation of A/F sensor 1 at low engine coolant temperature
- High engine coolant temperature
- During warm-up
- After shifting from N to D
- When starting the engine

## MIXTURE RATIO SELF-LEARNING CONTROL

The mixture ratio feedback control system monitors the mixture ratio signal transmitted from A/F sensor 1. This feedback signal is then sent to the ECM. The ECM controls the basic mixture ratio as close to the theoretical mixture ratio as possible. However, the basic mixture ratio is not necessarily controlled as originally designed. Both manufacturing differences (i.e., mass air flow sensor hot wire) and characteristic changes during operation (i.e., injector clogging) directly affect mixture ratio.

Accordingly, the difference between the basic and theoretical mixture ratios is monitored in this system. This is then computed in terms of "injection pulse duration" to automatically compensate for the difference between the two ratios.

"Fuel trim" refers to the feedback compensation value compared against the basic injection duration. "Fuel trim" includes "short-term fuel trim" and "long-term fuel trim".

"Short-term fuel trim" is the short-term fuel compensation used to maintain the mixture ratio at its theoretical value. The signal from A/F sensor 1 indicates whether the mixture ratio is RICH or LEAN compared to the theoretical value. The signal then triggers a reduction in fuel volume if the mixture ratio is rich, and an increase in fuel volume if it is lean.

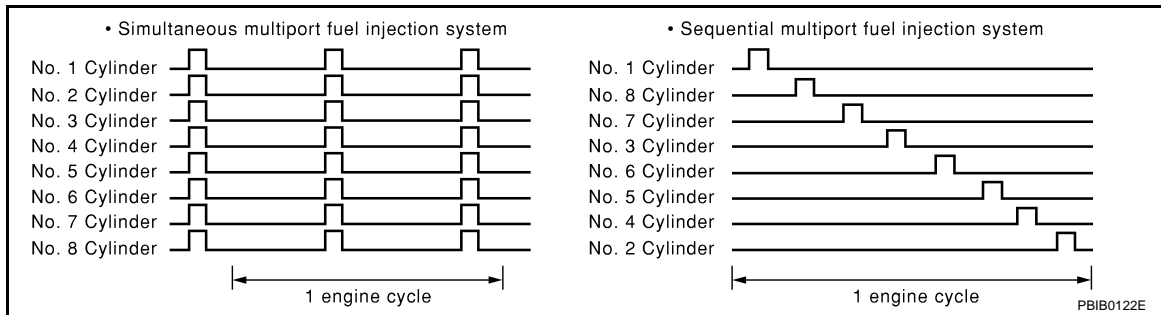
"Long-term fuel trim" is overall fuel compensation carried out overtime to compensate for continual deviation of the "short-term fuel trim" from the central value. Continual deviation will occur due to individual engine differences, wear over time and changes in the usage environment.

# MULTIPOINT FUEL INJECTION SYSTEM

< FUNCTION DIAGNOSIS >

[VK56DE]

## FUEL INJECTION TIMING



Two types of systems are used.

### Sequential Multiport Fuel Injection System

Fuel is injected into each cylinder during each engine cycle according to the ignition order. This system is used when the engine is running.

### Simultaneous Multiport Fuel Injection System

Fuel is injected simultaneously into all 8 cylinders twice each engine cycle. In other words, pulse signals of the same width are simultaneously transmitted from the ECM.

The 8 fuel injectors will then receive the signals 2 times for each engine cycle.

This system is used when the engine is being started and/or if the fail-safe system (CPU) is operating.

### FUEL SHUT-OFF

Fuel to each cylinder is cut off during deceleration, operation of the engine at excessively high speeds or operation of the vehicle at excessively high speed.

A

EC

C

D

E

F

G

H

I

J

K

L

M

N

O

P

# ELECTRIC IGNITION SYSTEM

< FUNCTION DIAGNOSIS >

[VK56DE]

## ELECTRIC IGNITION SYSTEM

### System Description

INFOID:000000003936463

### INPUT/OUTPUT SIGNAL CHART

Sensor	Input signal to ECM	ECM function	Actuator
Crankshaft position sensor (POS)	Engine speed*2	Ignition timing control	Power transistor
Camshaft position sensor (PHASE)	Piston position		
Mass air flow sensor	Amount of intake air		
Engine coolant temperature sensor	Engine coolant temperature		
Throttle position sensor	Throttle position		
Accelerator pedal position sensor	Accelerator pedal position		
Knock sensor	Engine knocking		
Battery	Battery voltage*2		
Unified meter control unit	Gear position		
	Vehicle speed*1		

\*1: This signal is sent to the ECM via the CAN communication line.

\*2: ECM determines the start signal status by the signals of engine speed and battery voltage.

### SYSTEM DESCRIPTION

Ignition order: 1 - 8 - 7 - 3 - 6 - 5 - 4 - 2

The ignition timing is controlled by the ECM to maintain the best air-fuel ratio for every running condition of the engine. The ignition timing data is stored in the ECM.

The ECM receives information such as the injection pulse width and camshaft position sensor signal. Computing this information, ignition signals are transmitted to the power transistor.

During the following conditions, the ignition timing is revised by the ECM according to the other data stored in the ECM.

- At starting
- During warm-up
- At idle
- At low battery voltage
- During acceleration

The knock sensor retard system is designed only for emergencies. The basic ignition timing is programmed within the anti-knocking zone, if recommended fuel is used under dry conditions. The retard system does not operate under normal driving conditions. If engine knocking occurs, the knock sensor monitors the condition. The signal is transmitted to the ECM. The ECM retards the ignition timing to eliminate the knocking condition.

# AIR CONDITIONING CUT CONTROL

< FUNCTION DIAGNOSIS >

[VK56DE]

## AIR CONDITIONING CUT CONTROL

### Input/Output Signal Chart

INFOID:000000003936464

Sensor	Input signal to ECM	ECM function	Actuator
Air conditioner switch	Air conditioner ON signal*1	Air conditioner cut control	Air conditioner relay
Accelerator pedal position sensor	Accelerator pedal position		
Crankshaft position sensor (POS) Camshaft position sensor (PHASE)	Engine speed*2		
Engine coolant temperature sensor	Engine coolant temperature		
Battery	Battery voltage*2		
Refrigerant pressure sensor	Refrigerant pressure		
Power steering pressure sensor	Power steering operation		
Unified meter control unit	Vehicle speed*1		

\*1: This signal is sent to the ECM via the CAN communication line.

\*2: ECM determines the start signal status by the signals of engine speed and battery voltage.

### System Description

INFOID:000000003936465

This system improves engine operation when the air conditioner is used. Under the following conditions, the air conditioner is turned OFF.

- When the accelerator pedal is fully depressed
- When cranking the engine
- At high engine speeds
- When the engine coolant temperature becomes excessively high
- When operating power steering during low engine speed or low vehicle speed
- When engine speed is excessively low
- When refrigerant pressure is excessively low or high

# AUTOMATIC SPEED CONTROL DEVICE (ASCD)

< FUNCTION DIAGNOSIS >

[VK56DE]

## AUTOMATIC SPEED CONTROL DEVICE (ASCD)

### System Description

INFOID:000000003936466

### INPUT/OUTPUT SIGNAL CHART

Sensor	Input signal to ECM	ECM function	Actuator
ASCD brake switch	Brake pedal operation	ASCD vehicle speed control	Electric throttle control actuator
Stop lamp switch	Brake pedal operation		
ASCD steering switch	ASCD steering switch operation		
Unified meter control unit	Gear position		
	Vehicle speed*		
TCM	Powertrain revolution*		

\*: This signal is sent to the ECM via the CAN communication line

### BASIC ASCD SYSTEM

Refer to Owner's Manual for ASCD operating instructions.

Automatic Speed Control Device (ASCD) allows a driver to keep vehicle at predetermined constant speed without depressing accelerator pedal. Driver can set vehicle speed in advance between approximately 40 km/h (25 MPH) and 144 km/h (89 MPH).

ECM controls throttle angle of electric throttle control actuator to regulate engine speed.

Operation status of ASCD is indicated by CRUISE indicator and SET indicator on combination meter. If any malfunction occurs in ASCD system, CRUISE indicator blinks and ASCD control is deactivated.

#### NOTE:

**Always drive vehicle in a safe manner according to traffic conditions and obey all traffic laws.**

### SET OPERATION

Press MAIN switch. (The CRUISE indicator on combination meter illuminates.)

When vehicle speed reaches a desired speed between approximately 40 km/h (25 MPH) and 144 km/h (89 MPH), press SET/COAST switch. (Then SET indicator on combination meter illuminates.)

### ACCELERATE OPERATION

If the RESUME/ACCELERATE switch is pressed during cruise control driving, increase the vehicle speed until the switch is released or vehicle speed reaches maximum speed controlled by the system.

And then ASCD will maintain the new set speed.

### CANCEL OPERATION

When any of following conditions exist, cruise operation will be canceled.

- CANCEL switch is pressed
- More than 2 switches at ASCD steering switch are pressed at the same time (Set speed will be cleared)
- Brake pedal is depressed
- Selector lever position is changed to N, P, R position
- Vehicle speed decreased to 13 km/h (8 MPH) lower than the set speed
- VDC system is operated

When the ECM detects any of the following conditions, the ECM will cancel the cruise operation and inform the driver by blinking CRUISE indicator.

- Engine coolant temperature is slightly higher than the normal operating temperature, CRUISE indicator may blink slowly.

When the engine coolant temperature decreases to the normal operating temperature, CRUISE indicator will stop blinking and the cruise operation will be able to work by pressing SET/COAST switch or RESUME/ACCELERATE switch.

- Malfunction for some self-diagnoses regarding ASCD control: SET indicator will blink quickly.

If MAIN switch is turned to OFF while ASCD is activated, all of ASCD operations will be canceled and vehicle speed memory will be erased.

### COAST OPERATION

When the SET/COAST switch is pressed during cruise control driving, decrease vehicle set speed until the switch is released. And then ASCD will maintain the new set speed.

### RESUME OPERATION



# AUTOMATIC SPEED CONTROL DEVICE (ASCD)

[VK56DE]

## < FUNCTION DIAGNOSIS >

When the RESUME/ACCELERATE switch is pressed after canceling operation other than pressing MAIN switch, vehicle speed will return to last set speed. To resume vehicle set speed, vehicle condition must meet following conditions.

- Brake pedal is released
- A/T selector lever position is other than P and N
- Vehicle speed is greater than 40 km/h (25 MPH) and less than 144 km/h (89 MPH)

## Component Description

INFOID:000000003936467

### ASCD STEERING SWITCH

Refer to [EC-812, "Component Description"](#).

### ASCD BRAKE SWITCH

Refer to [EC-816, "Component Description"](#).

### STOP LAMP SWITCH

Refer to [EC-823, "Description"](#).

### ELECTRIC THROTTLE CONTROL ACTUATOR

Refer to [EC-829, "Description"](#).

### ASCD INDICATOR

Refer to [EC-861, "Component Description"](#).

A

EC

C

D

E

F

G

H

I

J

K

L

M

N

O

P

---

## CAN COMMUNICATION

### System Description

INFOID:000000003936468

CAN (Controller Area Network) is a serial communication line for real time application. It is an on-vehicle multiplex communication line with high data communication speed and excellent error detection ability. Many electronic control units are equipped onto a vehicle, and each control unit shares information and links with other control units during operation (not independent). In CAN communication, control units are connected with 2 communication lines (CAN H line, CAN L line) allowing a high rate of information transmission with less wiring. Each control unit transmits/receives data but selectively reads required data only.

Refer to [LAN-58, "CAN Communication Signal Chart"](#), about CAN communication for detail.

# COOLING FAN CONTROL

< FUNCTION DIAGNOSIS >

[VK56DE]

## COOLING FAN CONTROL

### Description

INFOID:000000003936469

### SYSTEM DESCRIPTION

#### Cooling Fan Control

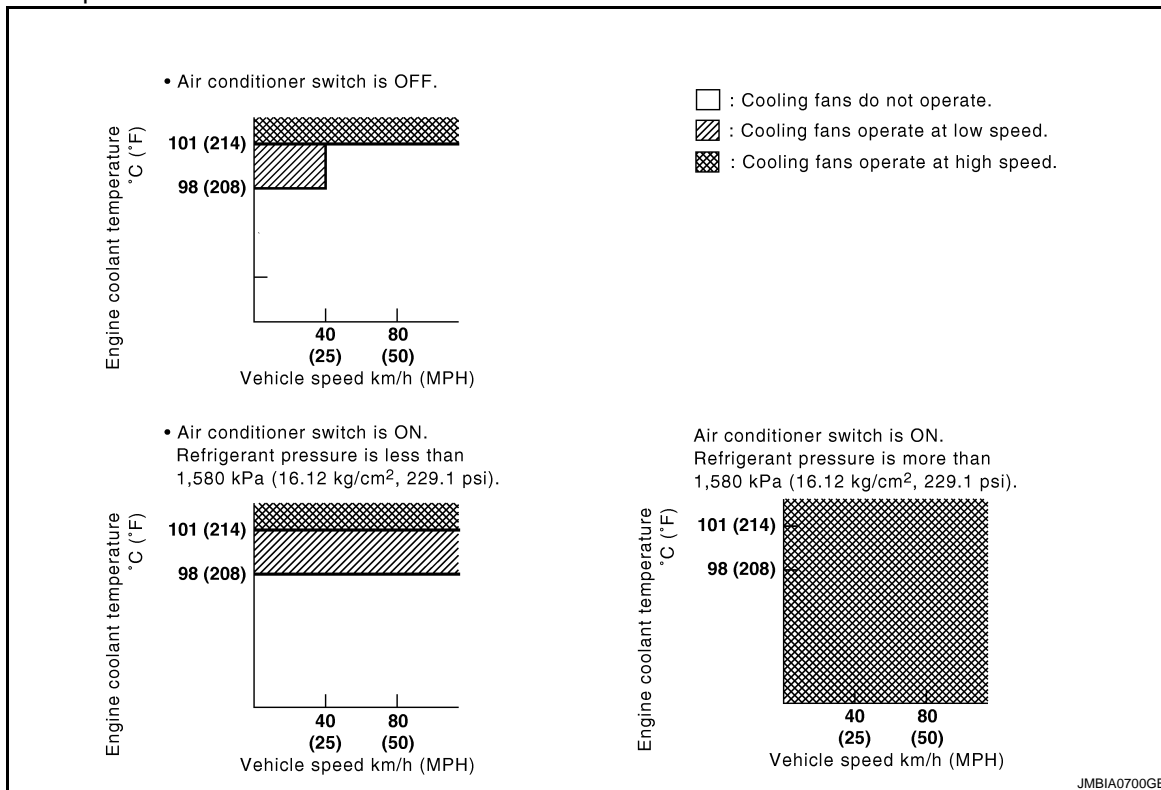
Sensor	Input Signal to ECM	ECM function	Actuator
Crankshaft position sensor (POS) Camshaft position sensor (PHASE)	Engine speed*1	Cooling fan control	IPDM E/R (Cooling fan relays)
Battery	Battery voltage*1		
Unified meter control unit	Vehicle speed*2		
Engine coolant temperature sensor	Engine coolant temperature		
Air conditioner switch	Air conditioner ON signal*2		
Refrigerant pressure sensor	Refrigerant pressure		

\*1: The ECM determines the start signal status by the signals of engine speed and battery voltage.

\*2: This signal is sent to ECM via the CAN communication line.

The ECM controls the cooling fan speed corresponding to the vehicle speed, engine coolant temperature, refrigerant pressure and air conditioner ON signal. The control system has a 3-step control [HIGH/LOW/OFF].

#### Cooling Fan Operation



#### Cooling Fan Relay Operation

The ECM controls cooling fan relays in the IPDM E/R via the CAN communication line.

Cooling fan speed	Cooling fan relay	
	LO	HI
Stop (OFF)	OFF	OFF
Low (LOW)	ON	OFF
High (HI)	ON	ON

# EVAPORATIVE EMISSION SYSTEM

< FUNCTION DIAGNOSIS >

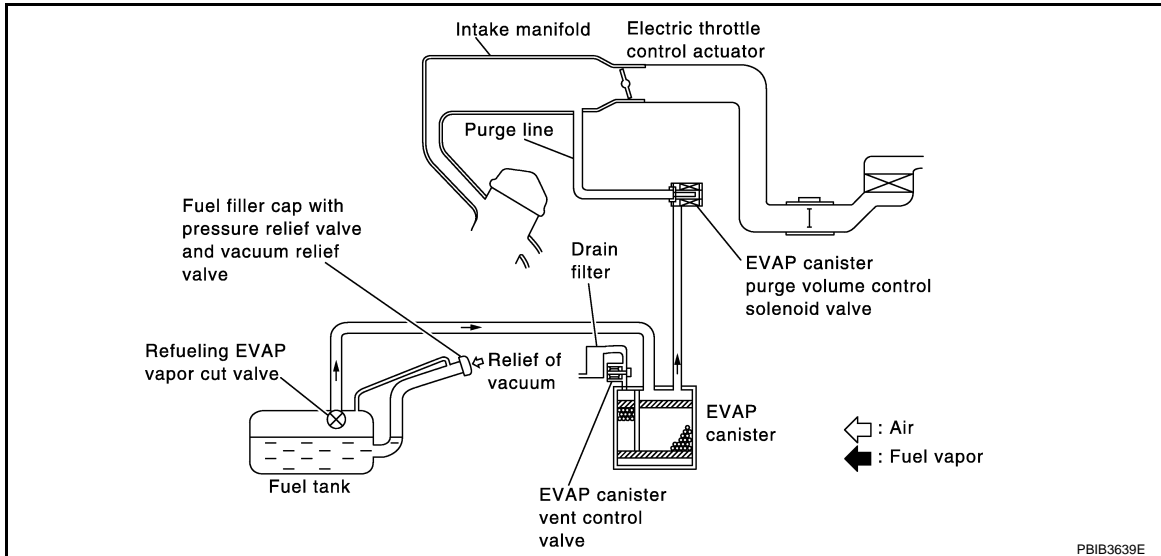
[VK56DE]

## EVAPORATIVE EMISSION SYSTEM

### Description

INFOID:000000003936470

### SYSTEM DESCRIPTION



The evaporative emission system is used to reduce hydrocarbons emitted into the atmosphere from the fuel system. This reduction of hydrocarbons is accomplished by activated charcoals in the EVAP canister.

The fuel vapor in the sealed fuel tank is led into the EVAP canister which contains activated carbon and the vapor is stored there when the engine is not operating or when refueling to the fuel tank.

The vapor in the EVAP canister is purged by the air through the purge line to the intake manifold when the engine is operating. EVAP canister purge volume control solenoid valve is controlled by ECM. When the engine operates, the flow rate of vapor controlled by EVAP canister purge volume control solenoid valve is proportionally regulated as the air flow increases.

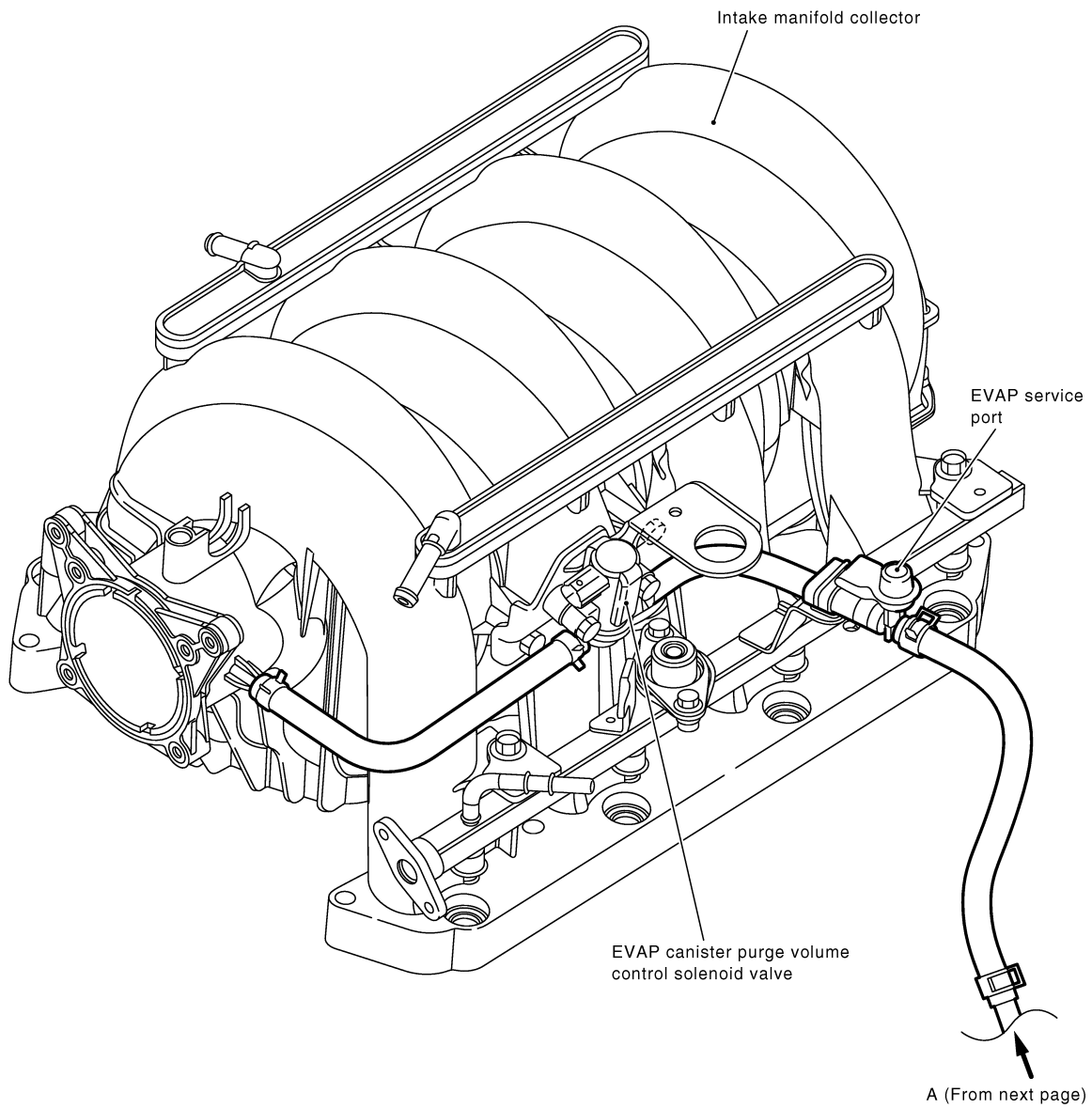
EVAP canister purge volume control solenoid valve also shuts off the vapor purge line during decelerating and idling.

# EVAPORATIVE EMISSION SYSTEM

< FUNCTION DIAGNOSIS >

[VK56DE]

## EVAPORATIVE EMISSION LINE DRAWING



**NOTE:**  
Do not use soapy water or any type of solvent while installing vacuum hoses or purge hoses.

PBIB2053E

A

EC

C

D

E

F

G

H

I

J

K

L

M

N

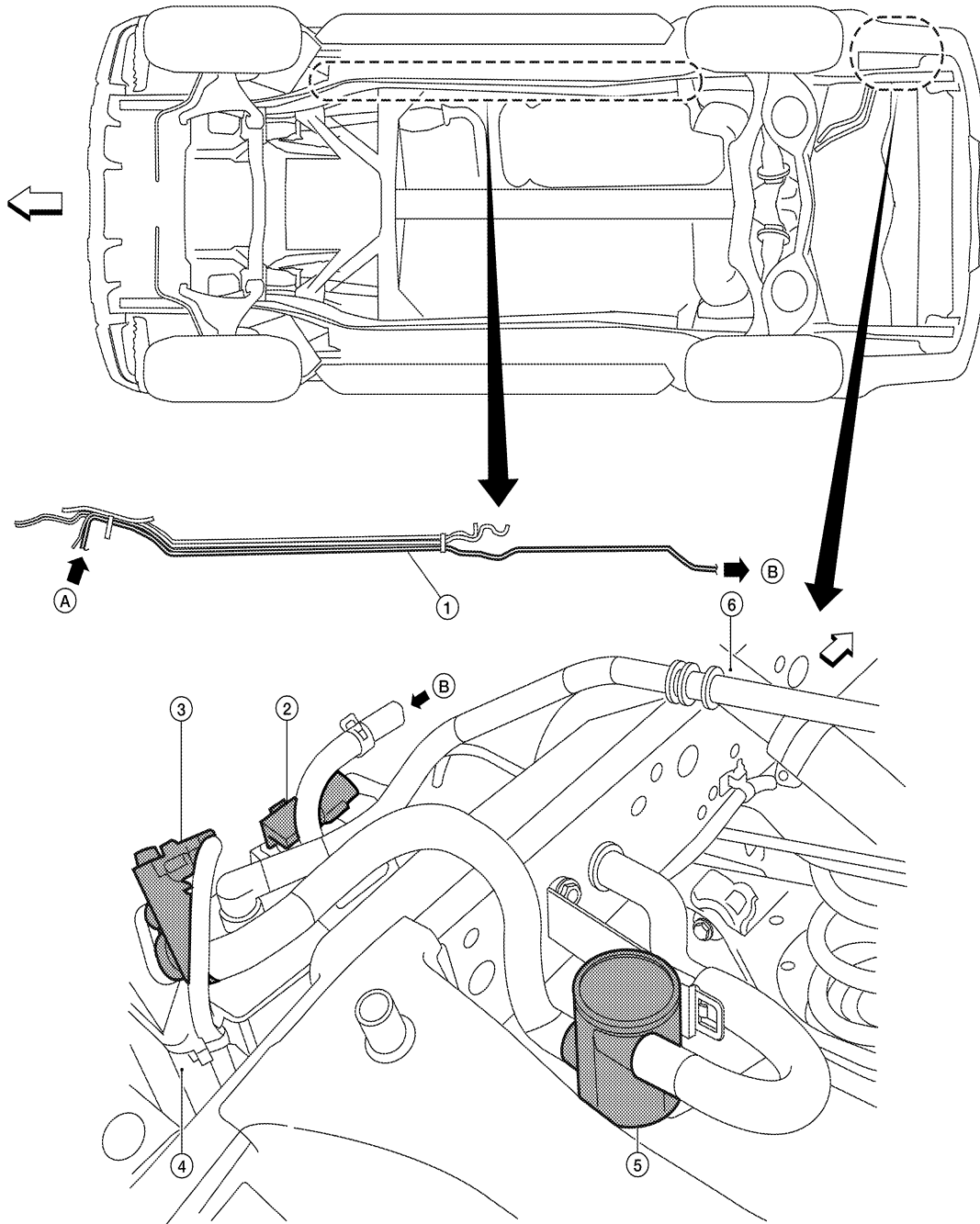
O

P

# EVAPORATIVE EMISSION SYSTEM

< FUNCTION DIAGNOSIS >

[VK56DE]



ALBIA0366ZZ

- 1. EVAP vapor purge line
- 2. EVAP control system pressure sensor
- 3. EVAP canister vent control valve
- 4. EVAP canister
- 5. Drain filter
- 6. Fuel filler pipe

↖ : Vehicle front

← : Previous figure

# INTAKE VALVE TIMING CONTROL

< FUNCTION DIAGNOSIS >

[VK56DE]

## INTAKE VALVE TIMING CONTROL

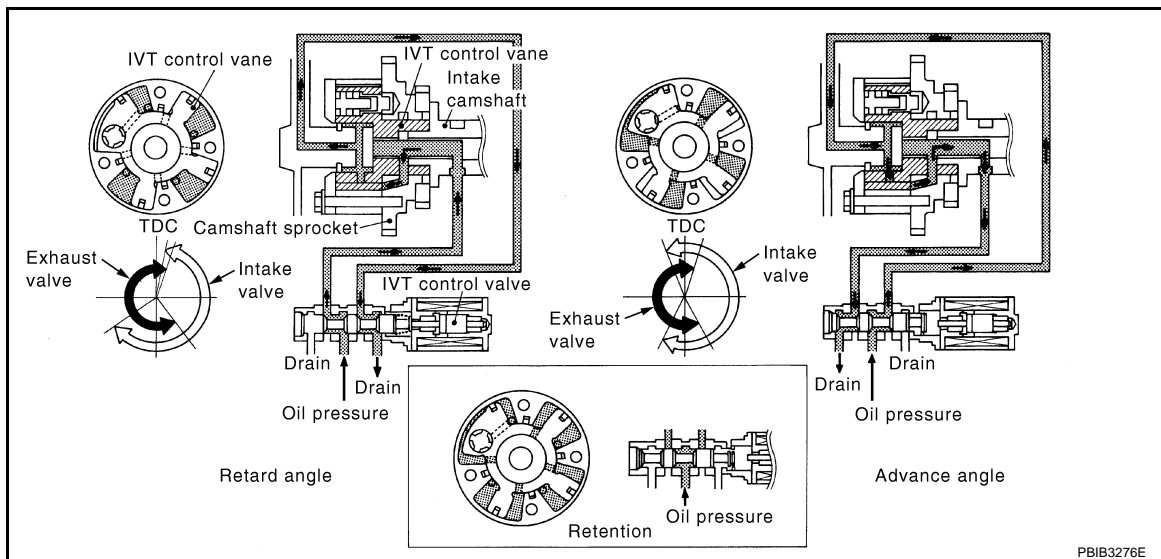
### Description

INFOID:000000003936471

### SYSTEM DESCRIPTION

Sensor	Input signal to ECM	ECM function	Actuator
Crankshaft position sensor (POS) Camshaft position sensor (PHASE)	Engine speed	Intake valve timing control	Intake valve timing control solenoid valve
Intake valve timing control position sensor	Intake valve timing signal		
Engine coolant temperature sensor	Engine coolant temperature		
Unified meter control unit	Vehicle speed*		

\*: This signal is sent to the ECM via the CAN communication line



This mechanism hydraulically controls cam phases continuously with the fixed operating angle of the intake valve.

The ECM receives signals such as crankshaft position, camshaft position, engine speed and engine coolant temperature. Then, the ECM sends ON/OFF pulse duty signals to the intake valve timing (IVT) control solenoid valve depending on driving status. This makes it possible to control the shut/open timing of the intake valve to increase engine torque in low/mid speed range and output in high-speed range.

# ON BOARD DIAGNOSTIC (OBD) SYSTEM

< FUNCTION DIAGNOSIS >

[VK56DE]

## ON BOARD DIAGNOSTIC (OBD) SYSTEM

### Introduction

INFOID:000000003936472

The ECM has an on board diagnostic system, which detects malfunctions related to engine sensors or actuators. The ECM also records various emission-related diagnostic information including:

Emission-related diagnostic information	Diagnostic service
Diagnostic Trouble Code (DTC)	Service \$03 of SAE J1979
Freeze Frame data	Service \$02 of SAE J1979
System Readiness Test (SRT) code	Service \$01 of SAE J1979
1st Trip Diagnostic Trouble Code (1st Trip DTC)	Service \$07 of SAE J1979
1st Trip Freeze Frame data	—
Test values and Test limits	Service \$06 of SAE J1979
Calibration ID	Service \$09 of SAE J1979

The above information can be checked using procedures listed in the table below.

x: Applicable —: Not applicable

	DTC	1st trip DTC	Freeze Frame data	1st trip Freeze Frame data	SRT code	SRT status	Test value
CONSULT-III	x	x	x	x	x	x	—
GST	x	x	x	—	x	x	x
ECM	x	x*	—	—	—	x	—

\*: When DTC and 1st trip DTC simultaneously appear on the display, they cannot be clearly distinguished from each other.

The malfunction indicator lamp (MIL) on the instrument panel illuminates when the same malfunction is detected in two consecutive trips (Two trip detection logic), or when the ECM enters fail-safe mode. (Refer to [EC-919. "Fail-Safe Chart"](#).)

### Two Trip Detection Logic

INFOID:000000003936473

When a malfunction is detected for the first time, 1st trip DTC and 1st trip Freeze Frame data are stored in the ECM memory. The MIL will not illuminate at this stage. <1st trip>

If the same malfunction is detected again during the next drive, the DTC and Freeze Frame data are stored in the ECM memory, and the MIL illuminates. The MIL illuminates at the same time when the DTC is stored. <2nd trip> The "trip" in the "Two Trip Detection Logic" means a driving mode in which self-diagnosis is performed during vehicle operation. Specific on board diagnostic items will cause the ECM to illuminate or blink the MIL, and store DTC and Freeze Frame data, even in the 1st trip, as shown below.

x: Applicable —: Not applicable

Items	MIL				DTC		1st trip DTC	
	1st trip		2nd trip		1st trip displaying	2nd trip displaying	1st trip displaying	2nd trip displaying
	Blinking	Illuminates	Blinking	Illuminates				
Misfire (Possible three way catalyst damage) — DTC: P0300 - P0308 is being detected	x	—	—	—	—	—	x	—
Misfire (Possible three way catalyst damage) — DTC: P0300 - P0308 is being detected	—	—	x	—	—	x	—	—
One trip detection diagnoses (Refer to <a href="#">EC-921. "DTC Index"</a> .)	—	x	—	—	x	—	—	—
Except above	—	—	—	x	—	x	x	—

When there is an open circuit on MIL circuit, the ECM cannot warn the driver by illuminating MIL when there is malfunction on engine control system.

Therefore, when electrical controlled throttle and part of ECM related diagnoses are continuously detected as NG for 5 trips, ECM warns the driver that engine control system malfunctions and MIL circuit is open by means of operating fail-safe function.



# ON BOARD DIAGNOSTIC (OBD) SYSTEM

< FUNCTION DIAGNOSIS >

[VK56DE]

The fail-safe function also operates when above diagnoses except MIL circuit are detected and demands the driver to repair the malfunction.

Engine operating condition in fail-safe mode	Engine speed will not rise more than 2,500 rpm due to the fuel cut
--	--

## Emission-related Diagnostic Information

INFOID:000000003936474

### DTC AND 1ST TRIP DTC

The 1st trip DTC (whose number is the same as the DTC number) is displayed for the latest self-diagnostic result obtained. If the ECM memory was cleared previously, and the 1st trip DTC did not recur, the 1st trip DTC will not be displayed.

If a malfunction is detected during the 1st trip, the 1st trip DTC is saved in the ECM memory. The MIL will not illuminate (two trip detection logic). If the same malfunction is not detected in the 2nd trip (meeting the required driving pattern), the 1st trip DTC is cleared from the ECM memory. If the same malfunction is detected in the 2nd trip, both the 1st trip DTC and DTC are stored in the ECM memory and the MIL illuminates. In other words, the DTC is stored in the ECM memory and the MIL illuminates when the same malfunction occurs in two consecutive trips. If a 1st trip DTC is saved and a non-diagnostic operation is performed between the 1st and 2nd trips, only the 1st trip DTC will continue to be stored. For malfunctions that blink or illuminate the MIL during the 1st trip, the DTC and 1st trip DTC are stored in the ECM memory.

Procedures for clearing the DTC and the 1st trip DTC from the ECM memory are described in "HOW TO ERASE EMISSION-RELATED DIAGNOSTIC INFORMATION".

For malfunctions in which 1st trip DTCs are displayed, refer to [EC-921, "DTC Index"](#). These items are required by legal regulations to continuously monitor the system/component. In addition, the items monitored non-continuously are also displayed on CONSULT-III.

1st trip DTC is specified in Service \$07 of SAE J1979. 1st trip DTC detection occurs without illuminating the MIL and therefore does not warn the driver of a malfunction. However, 1st trip DTC detection will not prevent the vehicle from being tested, for example during Inspection/Maintenance (I/M) tests.

When a 1st trip DTC is detected, check, print out or write down and erase (1st trip) DTC and Freeze Frame data as specified in Work Flow procedure Step 2, refer to [EC-490, "Trouble Diagnosis Introduction"](#). Then perform DTC Confirmation Procedure or Overall Function Check to try to duplicate the malfunction. If the malfunction is duplicated, the item requires repair.

### How to Read DTC and 1st Trip DTC

DTC and 1st trip DTC can be read by the following methods.

#### With CONSULT-III

CONSULT-III displays the DTC in "SELF DIAGNOSTIC RESULT" mode.

Examples: P0340, P0850, P1148, etc.

These DTCs are prescribed by SAE J2012.

(CONSULT-III also displays the malfunctioning component or system.)

Time data indicates how many times the vehicle was driven after the last detection of a DTC.

If the DTC is being detected currently, the time data will be [0].

If a 1st trip DTC is stored in the ECM, the time data will be [1t].

#### With GST

GST (Generic Scan Tool) displays the DTC in Diagnostic Service \$03.

Examples: P0340, P0850, P1148, etc.

These DTCs are prescribed by SAE J2012.

1st trip DTC is displayed in Diagnostic Service \$07.

#### No Tools

The number of blinks of the MIL in the Diagnostic Test Mode II (Self-Diagnostic Results) indicates the DTC. Example: 0340, 0850, 1148, etc.

These DTCs are controlled by NISSAN.

- **1st trip DTC No. is the same as DTC No.**
- **Output of a DTC indicates a malfunction. However, GST or the Diagnostic Test Mode II does not indicate whether the malfunction is still occurring or has occurred in the past and has returned to normal. CONSULT-III can identify malfunction status. Therefore, using CONSULT-III (if available) is recommended.**

### FREEZE FRAME DATA AND 1ST TRIP FREEZE FRAME DATA

The ECM records the driving conditions such as fuel system status, calculated load value, engine coolant temperature, short-term fuel trim, long-term fuel trim, engine speed, vehicle speed, absolute throttle position, base fuel schedule and intake air temperature at the moment a malfunction is detected.

# ON BOARD DIAGNOSTIC (OBD) SYSTEM

< FUNCTION DIAGNOSIS >

[VK56DE]

Data which are stored in the ECM memory, along with the 1st trip DTC, are called 1st trip freeze frame data. The data, stored together with the DTC, are called freeze frame data and displayed on CONSULT-III or GST. The 1st trip freeze frame data can only be displayed on the CONSULT-III screen, not on the GST. Only one set of freeze frame data (either 1st trip freeze frame data or freeze frame data) can be stored in the ECM. There is no priority for 1st trip freeze frame data and it is updated each time a different 1st trip DTC is detected. However, once freeze frame data (2nd trip detection/MIL ON) is stored in the ECM memory, 1st trip freeze frame data is no longer stored. Remember, only one set of freeze frame data can be stored in the ECM. The ECM has the following priorities to update the data.

Priority	Items	
1	Freeze frame data	Misfire — DTC: P0300 - P0308 Fuel Injection System Function — DTC: P0171, P0172, P0174, P0175
2		Except the above items (Includes A/T related items)
3	1st trip freeze frame data	

For example, the EGR malfunction (Priority: 2) was detected and the freeze frame data was saved in the 2nd trip. After that when the misfire (Priority: 1) is detected in another trip, the freeze frame data will be updated from the EGR malfunction to the misfire. The 1st trip freeze frame data is updated each time a different malfunction is detected. There is no priority for 1st trip freeze frame data. However, once freeze frame data is stored in the ECM memory, 1st trip freeze data is no longer stored (because only one freeze frame data or 1st trip freeze frame data can be stored in the ECM). If freeze frame data is stored in the ECM memory and freeze frame data with the same priority occurs later, the first (original) freeze frame data remains unchanged in the ECM memory.

Both 1st trip freeze frame data and freeze frame data (along with the DTCs) are cleared when the ECM memory is erased. Procedures for clearing the ECM memory are described in "HOW TO ERASE EMISSION-RELATED DIAGNOSTIC INFORMATION".

## SYSTEM READINESS TEST (SRT) CODE

System Readiness Test (SRT) code is specified in Service \$01 of SAE J1979.

As part of an enhanced emissions test for Inspection & Maintenance (I/M), certain states require the status of SRT be used to indicate whether the ECM has completed self-diagnosis of major emission systems and components. Completion must be verified in order for the emissions inspection to proceed.

If a vehicle is rejected for a State emissions inspection due to one or more SRT items indicating "INCMP", use the information in this Service Manual to set the SRT to "CMPLT".

In most cases the ECM will automatically complete its self-diagnosis cycle during normal usage, and the SRT status will indicate "CMPLT" for each application system. Once set as "CMPLT", the SRT status remains "CMPLT" until the self-diagnosis memory is erased.

Occasionally, certain portions of the self-diagnostic test may not be completed as a result of the customer's normal driving pattern; the SRT will indicate "INCMP" for these items.

### NOTE:

The SRT will also indicate "INCMP" if the self-diagnosis memory is erased for any reason or if the ECM memory power supply is interrupted for several hours.

If, during the state emissions inspection, the SRT indicates "CMPLT" for all test items, the inspector will continue with the emissions test. However, if the SRT indicates "INCMP" for one or more of the SRT items the vehicle is returned to the customer untested.

### NOTE:

If MIL illuminates during the state emissions inspection, the vehicle is also returned to the customer untested even though the SRT indicates "CMPLT" for all test items. Therefore, it is important to check SRT ("CMPLT") and DTC (No DTCs) before the inspection.

### SRT Item

The table below shows required self-diagnostic items to set the SRT to "CMPLT".

SRT item (CONSULT-III indication)	Performance Priority*	Required self-diagnostic items to set the SRT to "CMPLT"	Corresponding DTC No.
CATALYST	2	Three way catalyst function	P0420, P0430
EVAP SYSTEM	2	EVAP control system purge flow monitoring	P0441
	1	EVAP control system	P0442
	2	EVAP control system	P0456

# ON BOARD DIAGNOSTIC (OBD) SYSTEM

< FUNCTION DIAGNOSIS >

[VK56DE]

SRT item (CONSULT-III indication)	Performance Priority*	Required self-diagnostic items to set the SRT to "CMPLT"	Corresponding DTC No.
HO2S	2	Air fuel ratio (A/F) sensor 1	P0133, P0153
		Heated oxygen sensor 2	P0137, P0157
		Heated oxygen sensor 2	P0138, P0158
		Heated oxygen sensor 2	P0139, P0159

\*: If completion of several SRTs is required, perform driving patterns (DTC confirmation procedure), one by one based on the priority for models with CONSULT-III.

## SRT Set Timing

SRT is set as "CMPLT" after self-diagnosis has been performed one or more times. Completion of SRT is done regardless of whether the result is OK or NG. The set timing is different between OK and NG results and is shown in the table below.

Self-diagnosis result		Example					
		Diagnosis	Ignition cycle				
			← ON →	OFF	← ON →	OFF	
All OK	Case 1	P0400	OK (1)	— (1)	OK (2)	— (2)	
		P0402	OK (1)	— (1)	— (1)	OK (2)	
		P1402	OK (1)	OK (2)	— (2)	— (2)	
		SRT of EGR	"CMPLT"	"CMPLT"	"CMPLT"	"CMPLT"	
	Case 2	P0400	OK (1)	— (1)	— (1)	— (1)	
		P0402	— (0)	— (0)	OK (1)	— (1)	
		P1402	OK (1)	OK (2)	— (2)	— (2)	
		SRT of EGR	"INCMP"	"INCMP"	"CMPLT"	"CMPLT"	
NG exists	Case 3	P0400	OK	OK	—	—	
		P0402	—	—	—	—	
		P1402	NG	—	NG	NG	NG (Consecutive NG)
		(1st trip) DTC	1st trip DTC	—	1st trip DTC	DTC (= MIL ON)	
		SRT of EGR	"INCMP"	"INCMP"	"INCMP"	"CMPLT"	

OK: Self-diagnosis is carried out and the result is OK.

NG: Self-diagnosis is carried out and the result is NG.

—: Self-diagnosis is not carried out.

When all SRT related self-diagnoses show OK results in a single cycle (Ignition OFF-ON-OFF), the SRT will indicate "CMPLT". → Case 1 above

When all SRT related self-diagnoses show OK results through several different cycles, the SRT will indicate "CMPLT" at the time the respective self-diagnoses have at least one OK result. → Case 2 above

If one or more SRT related self-diagnoses show NG results in 2 consecutive cycles, the SRT will also indicate "CMPLT". → Case 3 above

The table above shows that the minimum number of cycles for setting SRT as "INCMP" is the number one (1) for each self-diagnosis (Case 1 & 2) or the number two (2) for one of self-diagnoses (Case 3). However, in preparation for the state emissions inspection, it is unnecessary for each self-diagnosis to be executed twice (Case 3) for the following reasons:

- The SRT will indicate "CMPLT" at the time the respective self-diagnoses have one (1) OK result.
- The emissions inspection requires "CMPLT" of the SRT only with OK self-diagnosis results.
- During SRT driving pattern, the 1st trip DTC (NG) is detected prior to "CMPLT" of SRT and the self-diagnosis memory must be erased from the ECM after repair.
- If the 1st trip DTC is erased, all the SRT will indicate "INCMP".

### NOTE:

SRT can be set as "CMPLT" together with the DTC(s). Therefore, DTC check must always be carried out prior to the state emission inspection even though the SRT indicates "CMPLT".

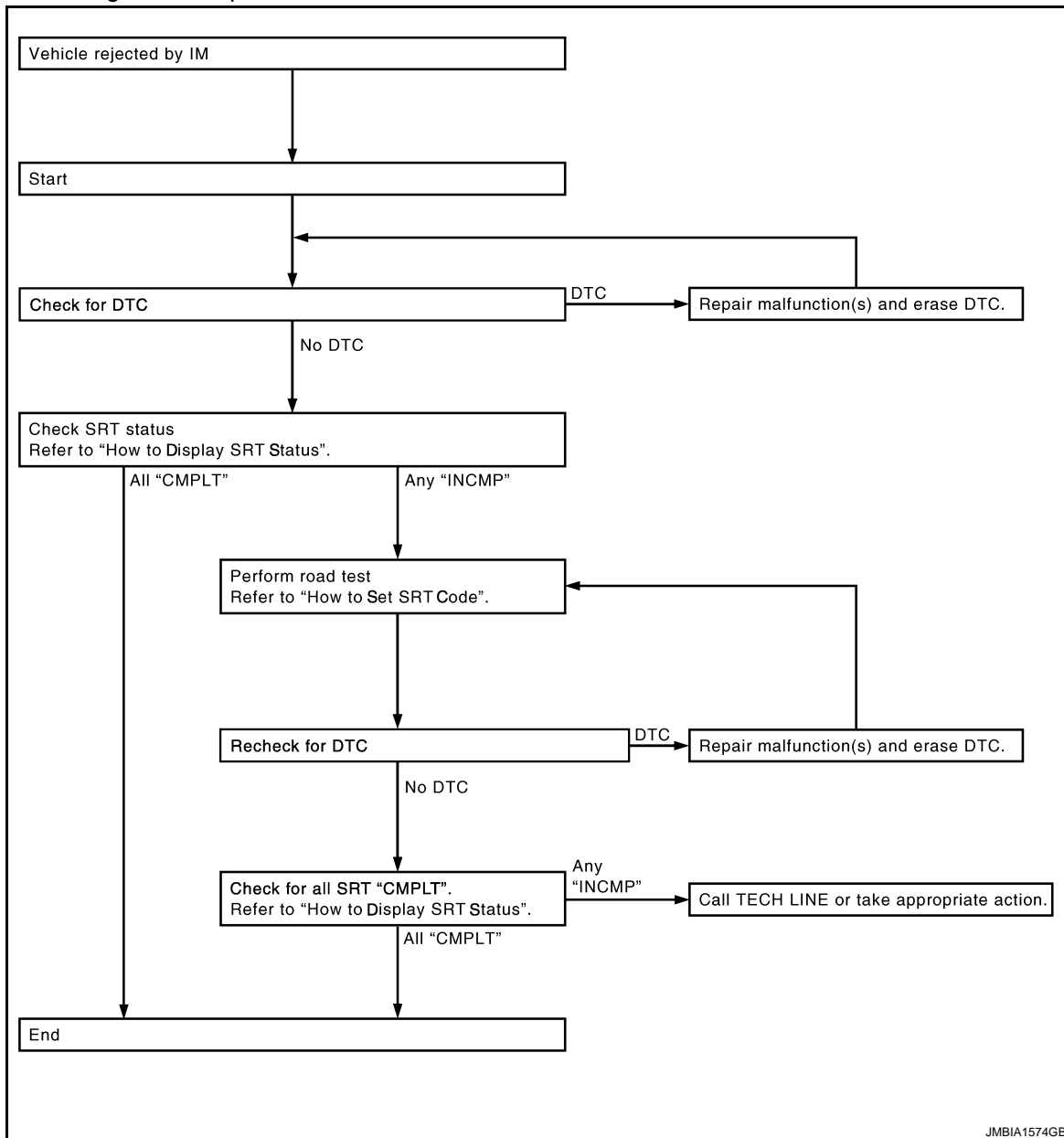
# ON BOARD DIAGNOSTIC (OBD) SYSTEM

[VK56DE]

## < FUNCTION DIAGNOSIS >

### SRT Service Procedure

If a vehicle has failed the state emissions inspection due to one or more SRT items indicating "INCMP", review the flowchart diagnostic sequence below.



### How to Display SRT Status

#### WITH CONSULT-III

Selecting "SRT STATUS" in "DTC CONFIRMATION" mode with CONSULT-III.

For items whose SRT codes are set, "CMPLT" is displayed on the CONSULT-III screen; for items whose SRT codes are not set, "INCMP" is displayed.

#### NOTE:

Though displayed on the CONSULT-III screen, "HO2S HTR" is not SRT item.

#### WITH GST

Selecting Service \$01 with GST (Generic Scan Tool)

#### NO TOOLS

A SRT code itself cannot be displayed, however only SRT status can.

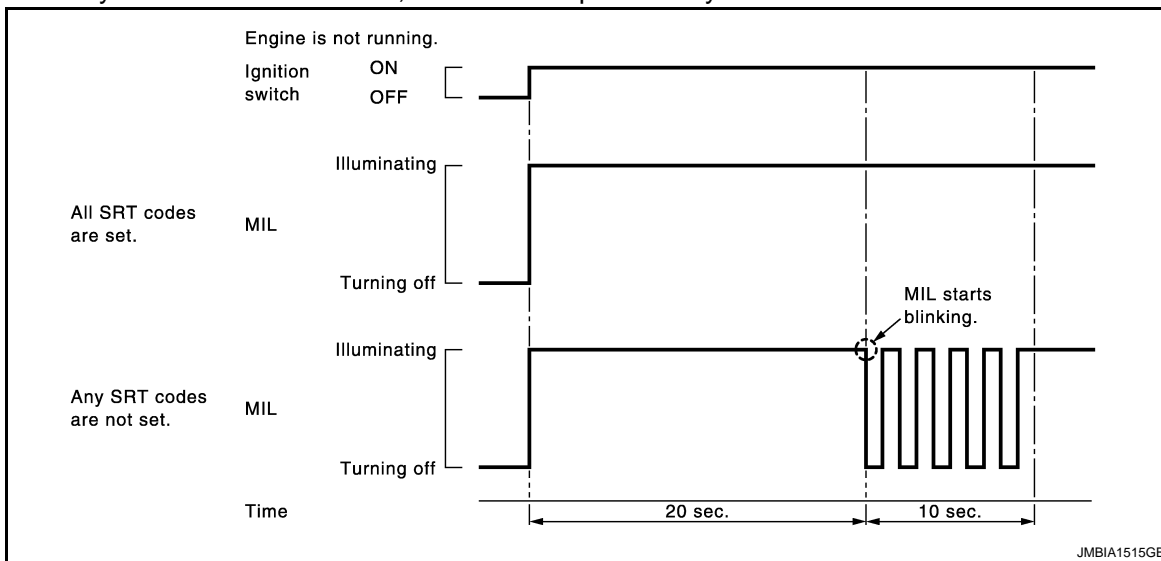
1. Turn ignition switch ON and wait 20 seconds.
2. SRT status is indicated as shown below.
  - When all SRT codes are set, MIL illuminates continuously.

# ON BOARD DIAGNOSTIC (OBD) SYSTEM

< FUNCTION DIAGNOSIS >

[VK56DE]

- When any SRT codes are not set, MIL will blink periodically for 10 seconds.



## How to Set SRT Code

To set all SRT codes, self-diagnosis for the items indicated above must be performed one or more times. Each diagnosis may require a long period of actual driving under various conditions.

### 📱 WITH CONSULT-III

Perform corresponding DTC Confirmation Procedure one by one based on Performance Priority in the table on "SRT Item".

### 🚗 WITHOUT CONSULT-III

The most efficient driving pattern in which SRT codes can be properly set is explained below. The driving pattern should be performed one or more times to set all SRT codes.

A  
EC  
C  
D  
E  
F  
G  
H  
I  
J  
K  
L  
M  
N  
O  
P

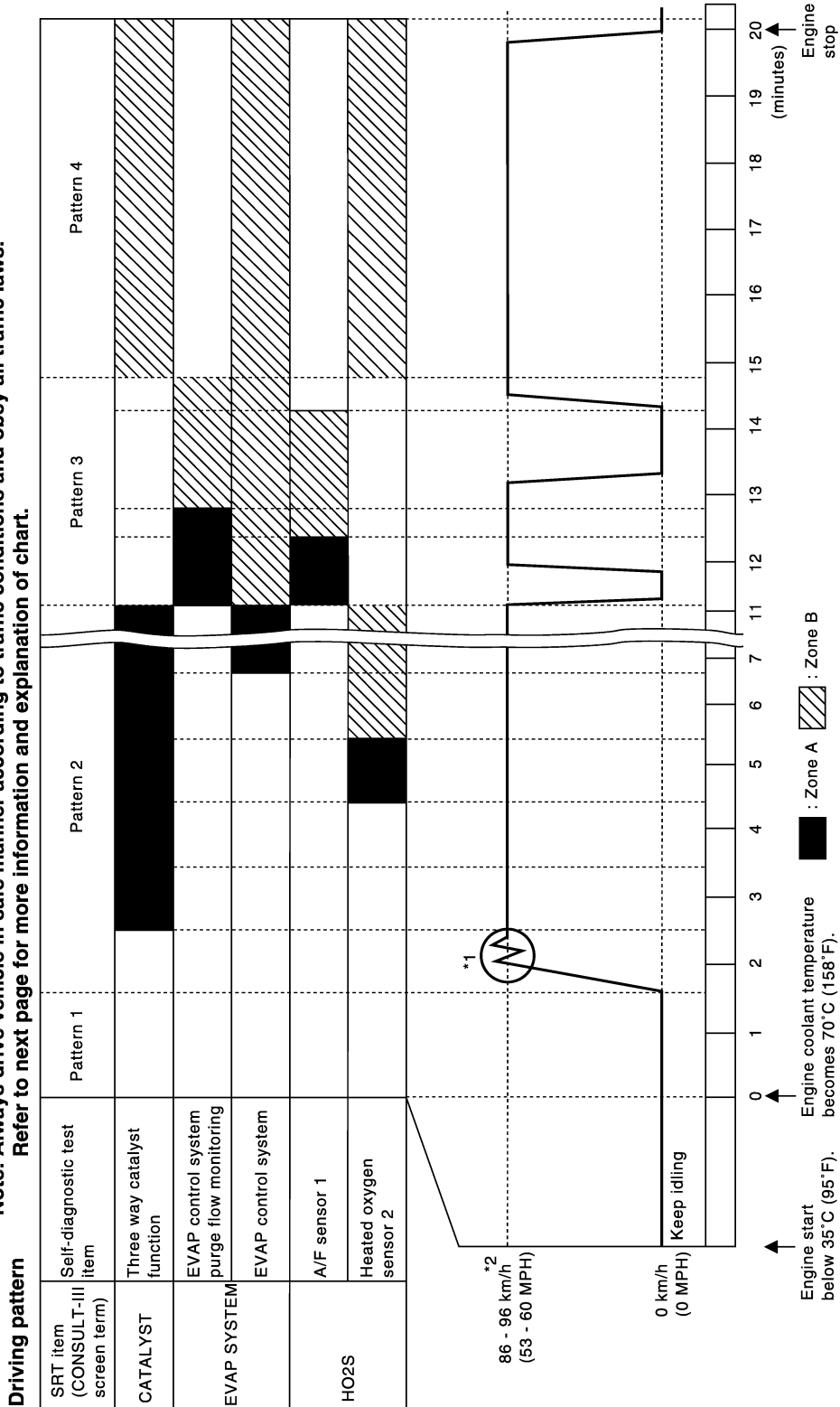
# ON BOARD DIAGNOSTIC (OBD) SYSTEM

[VK56DE]

< FUNCTION DIAGNOSIS >

Driving Pattern

**Note: Always drive vehicle in safe manner according to traffic conditions and obey all traffic laws. Refer to next page for more information and explanation of chart.**



PBIB3622E

- The time required for each diagnosis varies with road surface conditions, weather, altitude, individual driving habits, etc.
  - Zone A refers to the range where the time, required for the diagnosis under normal conditions\*, is the shortest.
  - Zone B refers to the range where the diagnosis can still be performed if the diagnosis is not completed within zone A.
- \*: Normal conditions refer to the following:

# ON BOARD DIAGNOSTIC (OBD) SYSTEM

[VK56DE]

## < FUNCTION DIAGNOSIS >

- Sea level
- Flat road
- Ambient air temperature: 20 - 30°C (68 - 86°F)
- Diagnosis is performed as quickly as possible under normal conditions.  
Under different conditions [For example: ambient air temperature other than 20 - 30°C (68 - 86°F)], diagnosis may also be performed.

### Pattern 1:

- **The engine is started at the engine coolant temperature of -10 to 35°C (14 to 95°F) (where the voltage between the ECM terminal 73 and ground is 3.0 - 4.3V).**
- **The engine must be operated at idle speed until the engine coolant temperature is greater than 70°C (158°F) (where the voltage between the ECM terminal 73 and ground is lower than 1.4V).**
- **The engine is started at the fuel tank temperature of warmer than 0°C (32°F) (where the voltage between the ECM terminal 107 and ground is less than 4.1V).**

### Pattern 2:

- When steady-state driving is performed again even after it is interrupted, each diagnosis can be conducted. In this case, the time required for diagnosis may be extended.

### Pattern 3:

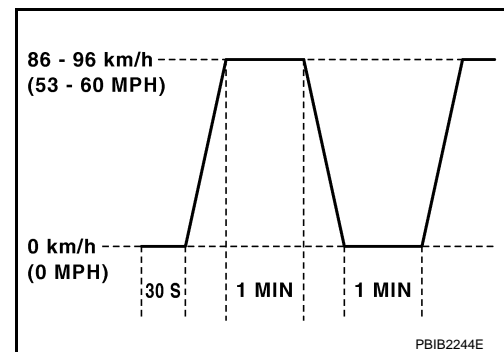
- Operate vehicle following the driving pattern shown in the figure.
- Release the accelerator pedal during deceleration of vehicle speed from 90 km/h (56 MPH) to 0 km/h (0 MPH).

### Pattern 4:

- The accelerator pedal must be held very steady during steady-state driving.
- If the accelerator pedal is moved, the test must be conducted again.

\*1: Depress the accelerator pedal until vehicle speed is 90 km/h (56 MPH), then release the accelerator pedal and keep it released for more than 10 seconds. Depress the accelerator pedal until vehicle speed is 90 km/h (56 MPH) again.

\*2: Checking the vehicle speed with GST is advised.



### Suggested Transmission Gear Position

Set the selector lever in the D position with the overdrive switch turned ON.

### TEST VALUE AND TEST LIMIT

The following is the information specified in Service \$06 of SAE J1979.

The test value is a parameter used to determine whether a system/circuit diagnostic test is OK or NG while being monitored by the ECM during self-diagnosis. The test limit is a reference value which is specified as the maximum or minimum value and is compared with the test value being monitored.

These data (test value and test limit) are specified by On Board Monitor ID(OBDMID), Test ID (TID), Unit and Scaling ID and can be displayed on the GST screen.

The items of the test value and test limit will be displayed with GST screen which items are provided by the ECM. (eg., if bank 2 is not applied on this vehicle, only the items of bank 1 are displayed)

# ON BOARD DIAGNOSTIC (OBD) SYSTEM

< FUNCTION DIAGNOSIS >

[VK56DE]

Item	OBD-MID	Self-diagnostic test item	DTC	Test value and Test limit (GST display)		Description
				TID	Unit and Scaling ID	
HO2S	01H	Air fuel ratio (A/F) sensor 1 (Bank 1)	P0131	83H	0BH	Minimum sensor output voltage for test cycle
			P0131	84H	0BH	Maximum sensor output voltage for test cycle
			P0130	85H	0BH	Minimum sensor output voltage for test cycle
			P0130	86H	0BH	Maximum sensor output voltage for test cycle
			P0133	87H	04H	Response rate: Response ratio (Lean to Rich)
			P0133	88H	04H	Response rate: Response ratio (Rich to Lean)
			P2A00	89H	84H	The amount of shift in air fuel ratio
			P2A00	8AH	84H	The amount of shift in air fuel ratio
			P0130	8BH	0BH	Difference in sensor output voltage
			P0133	8CH	83H	Response gain at the limited frequency
	02H	Heated oxygen sensor 2 (Bank 1)	P0138	07H	0CH	Minimum sensor output voltage for test cycle
			P0137	08H	0CH	Maximum sensor output voltage for test cycle
			P0138	80H	0CH	Sensor output voltage
P0139			81H	0CH	Difference in sensor output voltage	
03H	Heated oxygen sensor 3 (Bank 1)	P0143	07H	0CH	Minimum sensor output voltage for test cycle	
		P0144	08H	0CH	Maximum sensor output voltage for test cycle	
		P0146	80H	0CH	Sensor output voltage	
		P0145	81H	0CH	Difference in sensor output voltage	



# ON BOARD DIAGNOSTIC (OBD) SYSTEM

< FUNCTION DIAGNOSIS >

[VK56DE]

Item	OBD-MID	Self-diagnostic test item	DTC	Test value and Test limit (GST display)		Description
				TID	Unit and Scaling ID	
HO2S	05H	Air fuel ratio (A/F) sensor 1 (Bank 2)	P0151	83H	0BH	Minimum sensor output voltage for test cycle
			P0151	84H	0BH	Maximum sensor output voltage for test cycle
			P0150	85H	0BH	Minimum sensor output voltage for test cycle
			P0150	86H	0BH	Maximum sensor output voltage for test cycle
			P0153	87H	04H	Response rate: Response ratio (Lean to Rich)
			P0153	88H	04H	Response rate: Response ratio (Rich to Lean)
			P2A03	89H	84H	The amount of shift in air fuel ratio
			P2A03	8AH	84H	The amount of shift in air fuel ratio
			P0150	8BH	0BH	Difference in sensor output voltage
			P0153	8CH	83H	Response gain at the limited frequency
	06H	Heated oxygen sensor 2 (Bank 2)	P0158	07H	0CH	Minimum sensor output voltage for test cycle
			P0157	08H	0CH	Maximum sensor output voltage for test cycle
			P0158	80H	0CH	Sensor output voltage
			P0159	81H	0CH	Difference in sensor output voltage
	07H	Heated oxygen sensor 3 (Bank2)	P0163	07H	0CH	Minimum sensor output voltage for test cycle
P0164			08H	0CH	Maximum sensor output voltage for test cycle	
P0166			80H	0CH	Sensor output voltage	
P0165			81H	0CH	Difference in sensor output voltage	
CATA- LYST	21H	Three way catalyst function (Bank1)	P0420	80H	01H	O2 storage index
			P0420	82H	01H	Switching time lag engine exhaust index value
			P2423	83H	0CH	Difference in 3rd O2 sensor output voltage
			P2423	84H	84H	O2 storage index in HC trap catalyst
	22H	Three way catalyst function (Bank2)	P0430	80H	01H	O2 storage index
			P0430	82H	01H	Switching time lag engine exhaust index value
			P2424	83H	0CH	Difference in 3rd O2 sensor output voltage
			P2424	84H	84H	O2 storage index in HC trap catalyst

A  
EC  
C  
D  
E  
F  
G  
H  
I  
J  
K  
L  
M  
N  
O  
P

# ON BOARD DIAGNOSTIC (OBD) SYSTEM

< FUNCTION DIAGNOSIS >

[VK56DE]

Item	OBD-MID	Self-diagnostic test item	DTC	Test value and Test limit (GST display)		Description
				TID	Unit and Scaling ID	
EGR SYSTEM	31H	EGR function	P0400	80H	96H	Low Flow Faults: EGR temp change rate (short term)
			P0400	81H	96H	Low Flow Faults: EGR temp change rate (long term)
			P0400	82H	96H	Low Flow Faults: Difference between max EGR temp and EGR temp under idling condition
			P0400	83H	96H	Low Flow Faults: Max EGR temp
			P1402	84H	96H	High Flow Faults: EGR temp increase rate
VVT SYSTEM	35H	VVT Monitor (Bank1)	P0011	80H	9DH	VTC intake function diagnosis (VTC alignment check diagnosis)
			P0014	81H	9DH	VTC exhaust function diagnosis (VTC alignment check diagnosis)
			P0011	82H	9DH	VTC intake function diagnosis (VTC drive failure diagnosis)
			P0014	83H	9DH	VTC exhaust function diagnosis (VTC drive failure diagnosis)
	36H	VVT Monitor (Bank2)	P0021	80H	9DH	VTC intake function diagnosis (VTC alignment check diagnosis)
			P0024	81H	9DH	VTC exhaust function diagnosis (VTC alignment check diagnosis)
			P0021	82H	9DH	VTC intake function diagnosis (VTC drive failure diagnosis)
			P0024	83H	9DH	VTC exhaust function diagnosis (VTC drive failure diagnosis)
EVAP SYSTEM	39H	EVAP control system leak (Cap Off)	P0455	80H	0CH	Difference in pressure sensor output voltage before and after pull down
	3BH	EVAP control system leak (Small leak)	P0442	80H	05H	Leak area index (for more than 0.04 inch)
	3CH	EVAP control system leak (Very small leak)	P0456	80H	05H	Leak area index (for more than 0.02 inch)
			P0456	81H	FDH	Maximum internal pressure of EVAP system during monitoring
	3DH	Purge flow system	P0441	83H	0CH	Difference in pressure sensor output voltage before and after vent control valve close
O2 SENSOR HEATER	41H	A/F sensor 1 heater (Bank 1)	Low Input:P0031 High Input:P0032	81H	0BH	Converted value of Heater electric current to voltage
	42H	Heated oxygen sensor 2 heater (Bank 1)	Low Input:P0037 High Input:P0038	80H	0CH	Converted value of Heater electric current to voltage
	43H	Heated oxygen sensor 3 heater (Bank 1)	P0043	80H	0CH	Converted value of Heater electric current to voltage
	45H	A/F sensor 1 heater (Bank 2)	Low Input:P0051 High Input:P0052	81H	0BH	Converted value of Heater electric current to voltage
	46H	Heated oxygen sensor 2 heater (Bank 2)	Low Input:P0057 High Input:P0058	80H	0CH	Converted value of Heater electric current to voltage
	47H	Heated oxygen sensor 3 heater (Bank 2)	P0063	80H	0CH	Converted value of Heater electric current to voltage

# ON BOARD DIAGNOSTIC (OBD) SYSTEM

< FUNCTION DIAGNOSIS >

[VK56DE]

Item	OBD-MID	Self-diagnostic test item	DTC	Test value and Test limit (GST display)		Description
				TID	Unit and Scaling ID	
SEC- OND- ARY AIR	71H	Secondary Air system	P0411	80H	01H	Secondary Air Injection System Incorrect Flow Detected
			Bank1: P0491 Bank2: P0492	81H	01H	Secondary Air Injection System Insufficient Flow
			P2445	82H	01H	Secondary Air Injection System Pump Stuck Off
			P2448	83H	01H	Secondary Air Injection System High Airflow
			Bank1: P2440 Bank2: P2442	84H	01H	Secondary Air Injection System Switching Valve Stuck Open
			P2440	85H	01H	Secondary Air Injection System Switching Valve Stuck Open
			P2444	86H	01H	Secondary Air Injection System Pump Stuck On
FUEL SYSTEM	81H	Fuel injection system function (Bank 1)	P0171 or P0172	80H	2FH	Long term fuel trim
			P0171 or P0172	81H	24H	The number of lambda control clamped
	82H	Fuel injection system function (Bank 2)	P0174 or P0175	80H	2FH	Long term fuel trim
			P0174 or P0175	81H	24H	The number of lambda control clamped

A  
EC  
C  
D  
E  
F  
G  
H  
I  
J  
K  
L  
M  
N  
O  
P

# ON BOARD DIAGNOSTIC (OBD) SYSTEM

< FUNCTION DIAGNOSIS >

[VK56DE]

Item	OBD-MID	Self-diagnostic test item	DTC	Test value and Test limit (GST display)		Description
				TID	Unit and Scaling ID	
MISFIRE	A1H	Multiple Cylinder Misfires	P0301	80H	24H	Misfiring counter at 1000 revolution of the first cylinder
			P0302	81H	24H	Misfiring counter at 1000 revolution of the second cylinder
			P0303	82H	24H	Misfiring counter at 1000 revolution of the third cylinder
			P0304	83H	24H	Misfiring counter at 1000 revolution of the fourth cylinder
			P0305	84H	24H	Misfiring counter at 1000 revolution of the fifth cylinder
			P0306	85H	24H	Misfiring counter at 1000 revolution of the sixth cylinder
			P0307	86H	24H	Misfiring counter at 1000 revolution of the seventh cylinder
			P0308	87H	24H	Misfiring counter at 1000 revolution of the eighth cylinder
			P0300	88H	24H	Misfiring counter at 1000 revolution of the multiple cylinders
			P0301	89H	24H	Misfiring counter at 200 revolution of the first cylinder
			P0302	8AH	24H	Misfiring counter at 200 revolution of the second cylinder
			P0303	8BH	24H	Misfiring counter at 200 revolution of the third cylinder
			P0304	8CH	24H	Misfiring counter at 200 revolution of the fourth cylinder
			P0305	8DH	24H	Misfiring counter at 200 revolution of the fifth cylinder
			P0306	8EH	24H	Misfiring counter at 200 revolution of the sixth cylinder
			P0307	8FH	24H	Misfiring counter at 200 revolution of the seventh cylinder
			P0308	90H	24H	Misfiring counter at 200 revolution of the eighth cylinder
			P0300	91H	24H	Misfiring counter at 1000 revolution of the single cylinder
			P0300	92H	24H	Misfiring counter at 200 revolution of the single cylinder
			P0300	93H	24H	Misfiring counter at 200 revolution of the multiple cylinders

# ON BOARD DIAGNOSTIC (OBD) SYSTEM

< FUNCTION DIAGNOSIS >

[VK56DE]

Item	OBD-MID	Self-diagnostic test item	DTC	Test value and Test limit (GST display)		Description
				TID	Unit and Scaling ID	
MISFIRE	A2H	No.1 Cylinder Misfire	P0301	0BH	24H	EWMA (Exponential Weighted Moving Average) misfire counts for last 10 driving cycles
			P0301	0CH	24H	Misfire counts for last/current driving cycles
	A3H	No.2 Cylinder Misfire	P0302	0BH	24H	EWMA (Exponential Weighted Moving Average) misfire counts for last 10 driving cycles
			P0302	0CH	24H	Misfire counts for last/current driving cycles
	A4H	No.3 Cylinder Misfire	P0303	0BH	24H	EWMA (Exponential Weighted Moving Average) misfire counts for last 10 driving cycles
			P0303	0CH	24H	Misfire counts for last/current driving cycles
	A5H	No.4 Cylinder Misfire	P0304	0BH	24H	EWMA (Exponential Weighted Moving Average) misfire counts for last 10 driving cycles
			P0304	0CH	24H	Misfire counts for last/current driving cycles
	A6H	No.5 Cylinder Misfire	P0305	0BH	24H	EWMA (Exponential Weighted Moving Average) misfire counts for last 10 driving cycles
			P0305	0CH	24H	Misfire counts for last/current driving cycles
	A7H	No.6 Cylinder Misfire	P0306	0BH	24H	EWMA (Exponential Weighted Moving Average) misfire counts for last 10 driving cycles
			P0306	0CH	24H	Misfire counts for last/current driving cycles
	A8H	No.7 Cylinder Misfire	P0307	0BH	24H	EWMA (Exponential Weighted Moving Average) misfire counts for last 10 driving cycles
			P0307	0CH	24H	Misfire counts for last/current driving cycles
	A9H	No.8 Cylinder Misfire	P0308	0BH	24H	EWMA (Exponential Weighted Moving Average) misfire counts for last 10 driving cycles
			P0308	0CH	24H	Misfire counts for last/current driving cycles

## HOW TO ERASE EMISSION-RELATED DIAGNOSTIC INFORMATION

How to Erase DTC

 WITH CONSULT-III

**NOTE:**

• If the ignition switch stays ON after repair work, be sure to turn ignition switch OFF once.

Wait at least 10 seconds and then turn it ON (engine stopped) again.

• If the DTC is not for A/T related items (see [EC-921, "DTC Index"](#)), skip step 1.

1. Perform "HOW TO ERASE DTC" in [TM-34, "OBD-II Diagnostic Trouble Code \(DTC\)"](#). (The DTC in TCM will be erased)
2. Select "ENGINE" with CONSULT-III.

# ON BOARD DIAGNOSTIC (OBD) SYSTEM

[VK56DE]

## < FUNCTION DIAGNOSIS >

3. Select "SELF DIAGNOSTIC RESULT".
4. Touch "ERASE". (DTC in ECM will be erased.)

### WITH GST

#### NOTE:

- If the ignition switch stays ON after repair work, be sure to turn ignition switch OFF once. Wait at least 10 seconds and then turn it ON (engine stopped) again.

1. Select Service \$04 with GST (Generic Scan Tool).

### No Tools

#### NOTE:

- If the ignition switch stays ON after repair work, be sure to turn ignition switch OFF once. Wait at least 10 seconds and then turn it ON (engine stopped) again.

1. Erase DTC in ECM. Refer to "How to Erase Diagnostic Test Mode II (Self-Diagnostic Results)" in [EC-538](#), "[Malfunction Indicator Lamp \(MIL\)](#)".

- If the battery is disconnected, the emission-related diagnostic information will be cleared within 24 hours.

- The following data are cleared when the ECM memory is erased.

- Diagnostic trouble codes
- 1st trip diagnostic trouble codes
- Freeze frame data
- 1st trip freeze frame data
- System readiness test (SRT) codes
- Test values

Actual work procedures are explained using a DTC as an example. Be careful so that not only the DTC, but all of the data listed above, are cleared from the ECM memory during work procedures.

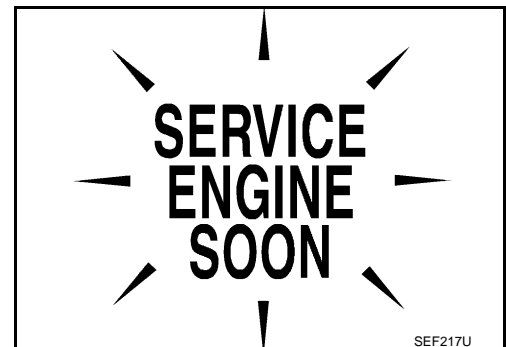
## Malfunction Indicator Lamp (MIL)

INFOID:000000003936475

### DESCRIPTION

The MIL is located on the combination meter.

1. The MIL will illuminate when the ignition switch is turned ON without the engine running. This is a bulb check. If the MIL does not illuminate, check mil circuit, refer to [EC-899](#), "[Wiring Diagram - ENGINE CONTROL SYSTEM -](#)".
2. When the engine is started, the MIL should turn off. If the MIL remains illuminating, the on board diagnostic system has detected an engine system malfunction.






### ON BOARD DIAGNOSTIC SYSTEM FUNCTION

The on board diagnostic system has the following three functions.

# ON BOARD DIAGNOSTIC (OBD) SYSTEM

< FUNCTION DIAGNOSIS >

[VK56DE]

Diagnostic Test Mode	KEY and ENG. Status	Function	Explanation of Function
Mode I	Ignition switch in ON position  Engine stopped	BULB CHECK	This function checks the MIL bulb for damage (blown, open circuit, etc.). If the MIL does not illuminate, check MIL circuit.
	Engine running 	MALFUNCTION WARNING	When a malfunction is detected twice in two consecutive driving cycles (two trip detection logic), the MIL will illuminate to inform the driver that a malfunction has been detected. The following malfunctions will illuminate or blink the MIL in the 1st trip. <ul style="list-style-type: none"> <li>• Misfire (Possible three way catalyst damage)</li> <li>• One trip detection diagnoses</li> </ul>
Mode II	Ignition switch in ON position  Engine stopped	SELF-DIAGNOSTIC RESULTS	This function allows DTCs and 1st trip DTCs to be read.

When there is an open circuit on MIL circuit, the ECM cannot warn the driver by illuminating MIL when there is malfunction on engine control system. Therefore, when electrical controlled throttle and part of ECM related diagnoses are continuously detected as NG for 5 trips, ECM warns the driver that engine control system malfunctions and MIL circuit is open by means of operating fail-safe function. The fail-safe function also operates when above diagnoses except MIL circuit are detected and demands the driver to repair the malfunction.

Engine operating condition in fail-safe mode	Engine speed will not rise more than 2,500 rpm due to the fuel cut
--	--

## MIL Blinking Without DTC

When any SRT codes are not set, MIL may blink without DTC. For the details, refer to "How to Display SRT Status" in [EC-525, "Emission-related Diagnostic Information"](#).

## HOW TO SWITCH DIAGNOSTIC TEST MODE

### NOTE:

- It is better to count the time accurately with a clock.
- It is impossible to switch the diagnostic test mode when an accelerator pedal position sensor circuit has a malfunction.
- ECM always returns to Diagnostic Test Mode I after the ignition switch is turned OFF.

### How to Set Diagnostic Test Mode II (Self-diagnostic Results)

1. Check that accelerator pedal is fully released, turn ignition switch ON and wait 3 seconds.
2. Repeat the following procedure quickly 5 times within 5 seconds.
  - a. Fully depress the accelerator pedal.
  - b. Fully release the accelerator pedal.
3. Wait 7 seconds, fully depress the accelerator pedal and keep it depressed for approximately 10 seconds until the MIL starts blinking.

### NOTE:

Never release the accelerator pedal for 10 seconds if MIL starts blinking during this period. This blinking is displaying SRT status and is continued for another 10 seconds.

# ON BOARD DIAGNOSTIC (OBD) SYSTEM

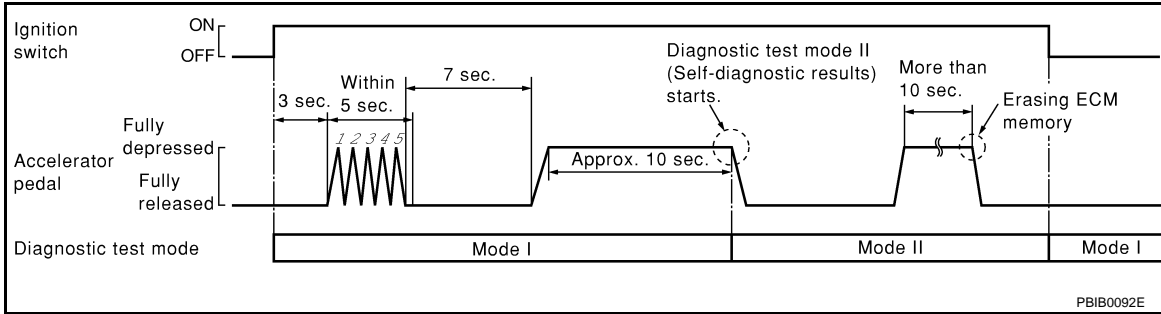
[VK56DE]

## < FUNCTION DIAGNOSIS >

- Fully release the accelerator pedal.  
ECM has entered to Diagnostic Test Mode II (Self-diagnostic results).

**NOTE:**

**Wait until the same DTC (or 1st trip DTC) appears to completely confirm all DTCs.**



### How to Erase Diagnostic Test Mode II (Self-diagnostic Results)

- Set ECM in Diagnostic Test Mode II (Self-diagnostic results). Refer to “How to Set Diagnostic Test Mode II (Self-diagnostic Results)”.
- Fully depress the accelerator pedal and keep it depressed for more than 10 seconds.  
The emission-related diagnostic information has been erased from the backup memory in the ECM.
- Fully release the accelerator pedal, and confirm the DTC 0000 is displayed.

### DIAGNOSTIC TEST MODE I — BULB CHECK

In this mode, the MIL on the combination meter should stay ON. If it remains OFF, check MIL circuit. Refer to [EC-899. "Wiring Diagram - ENGINE CONTROL SYSTEM -"](#).

### DIAGNOSTIC TEST MODE I — MALFUNCTION WARNING

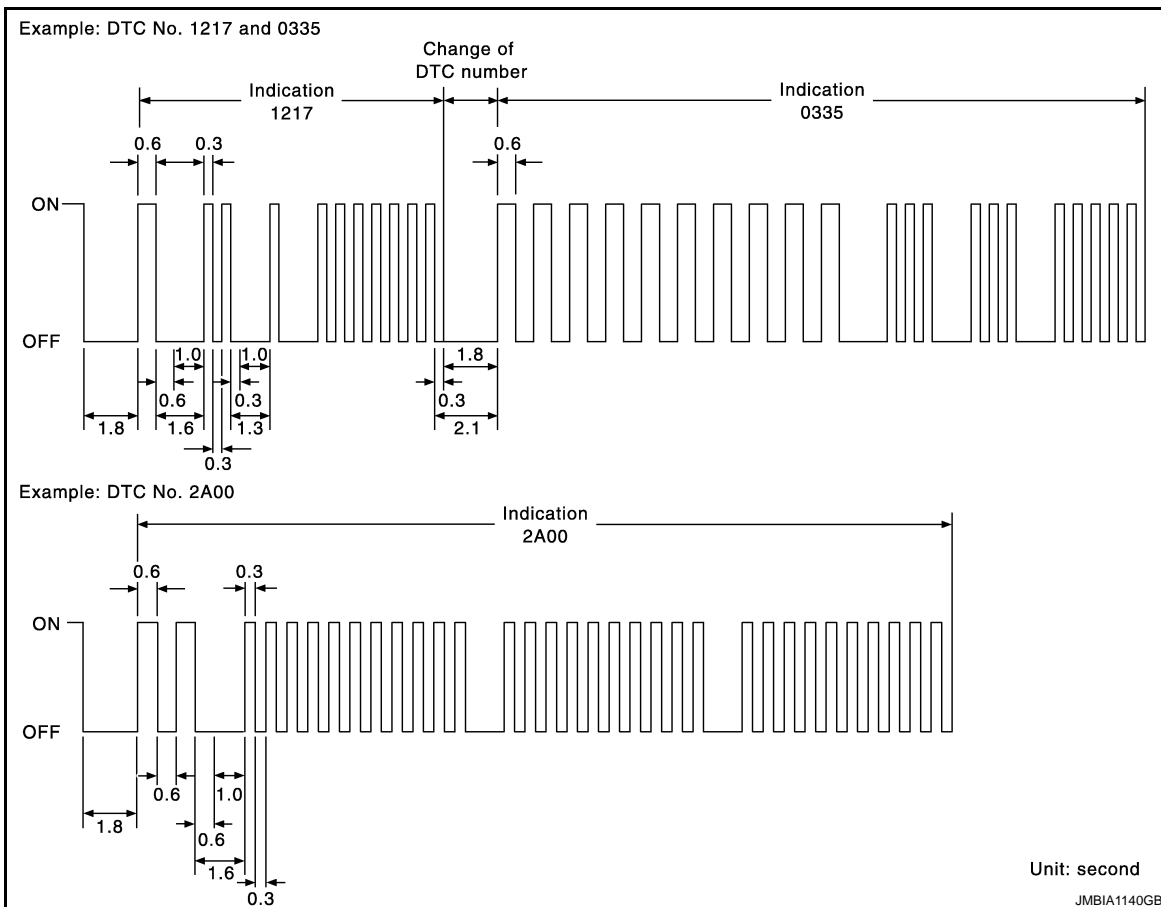
MIL	Condition
ON	When the malfunction is detected.
OFF	No malfunction.

This DTC number is clarified in Diagnostic Test Mode II (SELF-DIAGNOSTIC RESULTS)

### DIAGNOSTIC TEST MODE II — SELF-DIAGNOSTIC RESULTS

In this mode, the DTC and 1st trip DTC are indicated by the number of blinks of the MIL as shown below. The DTC and 1st trip DTC are displayed at the same time. If the MIL does not illuminate in diagnostic test mode I (Malfunction warning), all displayed items are 1st trip DTCs. If only one code is displayed when the MIL illuminates in diagnostic test mode II (SELF-DIAGNOSTIC RESULTS), it is a DTC; if two or more codes are displayed, they may be either DTCs or 1st trip DTCs. DTC No. is same as that of 1st trip DTC. These unidentified codes can be identified by using the CONSULT-III or GST. A DTC will be used as an example for how to read a code.





A particular trouble code can be identified by the number of four-digit numeral blinks. The “zero” is indicated by the number of ten blinks. The “A” is indicated by the number of eleven blinks. The length of time the 1,000th-digit numeral blinks on and off is 1.2 seconds consisting of an ON (0.6-seconds) - OFF (0.6-seconds) cycle. The 100th-digit numeral and lower digit numerals consist of a 0.3-seconds ON and 0.3-seconds OFF cycle. A change from one digit numeral to another occurs at an interval of 1.0-second OFF. In other words, the later numeral appears on the display 1.3 seconds after the former numeral has disappeared. A change from one trouble code to another occurs at an interval of 1.8-seconds OFF. In this way, all the detected malfunctions are classified by their DTC numbers. The DTC 0000 refers to no malfunction. (See [EC-921, "DTC Index"](#))

### How to Erase Diagnostic Test Mode II (Self-diagnostic Results)

The DTC can be erased from the back up memory in the ECM by depressing accelerator pedal. Refer to “How to Erase Diagnostic Test Mode II (Self-diagnostic Results)”.

- If the battery is disconnected, the DTC will be cleared from the backup memory within 24 hours.
- Be careful not to erase the stored memory before starting trouble diagnoses.

### OBD System Operation Chart

INFOID:000000003936476

### RELATIONSHIP BETWEEN MIL, 1ST TRIP DTC, DTC, AND DETECTABLE ITEMS

- When a malfunction is detected for the first time, the 1st trip DTC and the 1st trip freeze frame data are stored in the ECM memory.
- When the same malfunction is detected in two consecutive trips, the DTC and the freeze frame data are stored in the ECM memory, and the MIL will illuminate. For details, refer to [EC-524, "Two Trip Detection Logic"](#)
- The MIL will turn off after the vehicle is driven 3 times (driving pattern B) with no malfunction. A drive is counted only when the recorded driving pattern is met (as stored in the ECM). If another malfunction occurs while counting, the counter will reset.
- The DTC and the freeze frame data will be stored until the vehicle is driven 40 times (driving pattern A) without the same malfunction recurring (except for Misfire and Fuel injection system). For Misfire and Fuel injection system, the DTC and freeze frame data will be stored until the vehicle is driven 80 times (driving pattern C) without the same malfunction recurring. The “TIME” in “SELF DIAGNOSTIC RESULT” mode of CONSULT-III will count the number of times the vehicle is driven.

# ON BOARD DIAGNOSTIC (OBD) SYSTEM

[VK56DE]

## < FUNCTION DIAGNOSIS >

- The 1st trip DTC is not displayed when the self-diagnosis results in OK for the 2nd trip.

### SUMMARY CHART

Items	Fuel injection system	Misfire	Other
MIL (turns off)	3 (pattern B)	3 (pattern B)	3 (pattern B)
DTC, Freeze Frame Data (no display)	80 (pattern C)	80 (pattern C)	40 (pattern A)
1st Trip DTC (clear)	1 (pattern C), *1	1 (pattern C), *1	1 (pattern B)
1st Trip Freeze Frame Data (clear)	*1, *2	*1, *2	1 (pattern B)

For details about patterns B and C under "Fuel injection system" and "Misfire", see "EXPLANATION FOR DRIVING PATTERNS FOR "MISFIRE <EXHAUST QUALITY DETERIORATION>", "FUEL INJECTION SYSTEM".

For details about patterns A and B under Other, see "EXPLANATION FOR DRIVING PATTERNS FOR "MISFIRE <EXHAUST QUALITY DETERIORATION>", "FUEL INJECTION SYSTEM".

\*1: Clear timing is at the moment OK is detected.

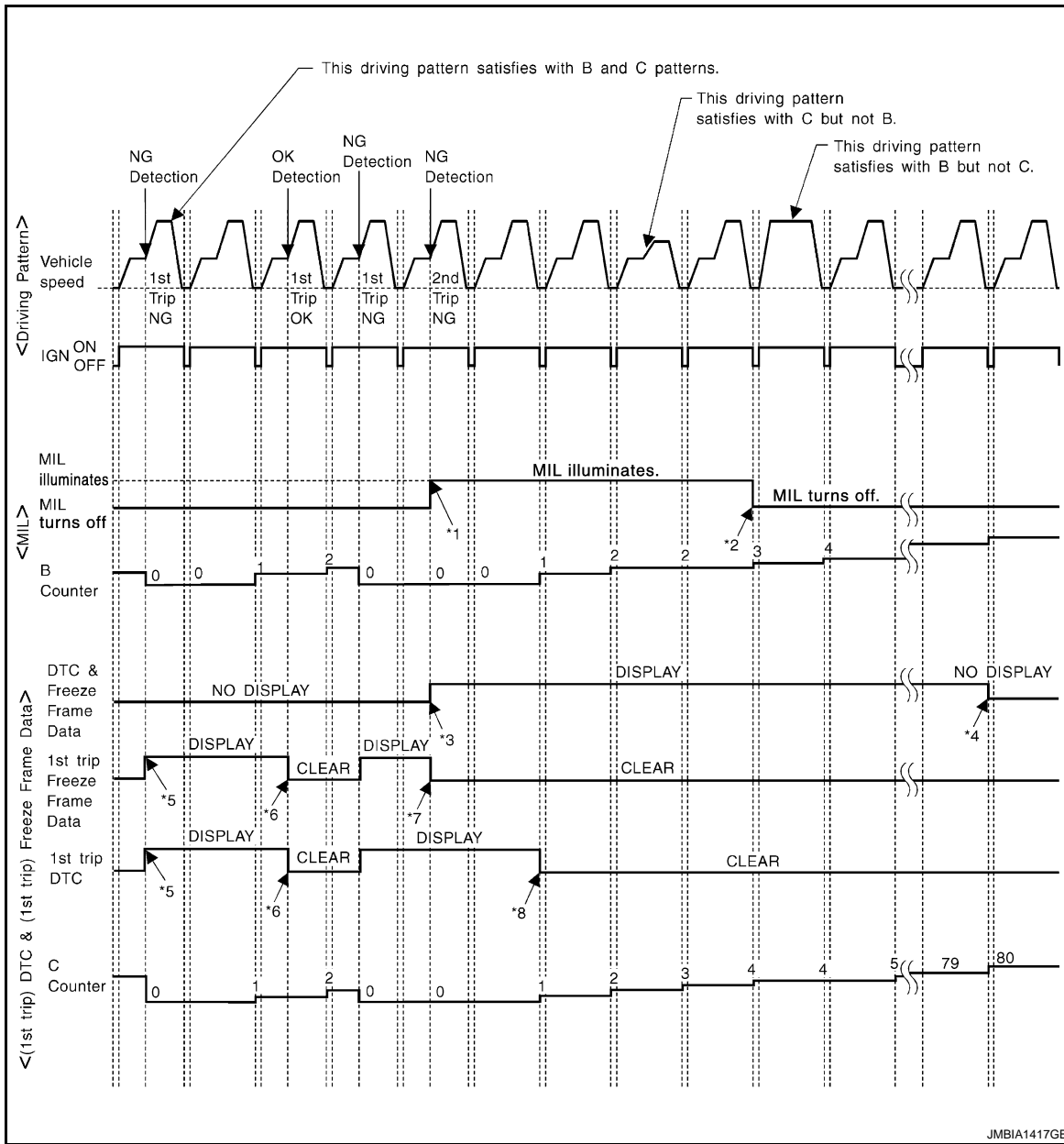
\*2: Clear timing is when the same malfunction is detected in the 2nd trip.

RELATIONSHIP BETWEEN MIL, DTC, 1ST TRIP DTC AND DRIVING PATTERNS FOR "MISFIRE " <EXHAUST QUALITY DETERIORATION>, "FUEL INJECTION SYSTEM"

# ON BOARD DIAGNOSTIC (OBD) SYSTEM

< FUNCTION DIAGNOSIS >

[VK56DE]



\*1: When the same malfunction is detected in two consecutive trips, MIL will illuminate.

\*2: MIL will turn off after vehicle is driven 3 times (pattern B) without any malfunctions.

\*3: When the same malfunction is detected in two consecutive trips, the DTC and the freeze frame data will be stored in ECM.

\*4: The DTC and the freeze frame data will not be displayed any longer after vehicle is driven 80 times (pattern C) without the same malfunction. (The DTC and the freeze frame data still remain in ECM.)

\*5: When a malfunction is detected for the first time, the 1st trip DTC and the 1st trip freeze frame data will be stored in ECM.

\*6: The 1st trip DTC and the 1st trip freeze frame data will be cleared at the moment OK is detected.

\*7: When the same malfunction is detected in the 2nd trip, the 1st trip freeze frame data will be cleared.

\*8: 1st trip DTC will be cleared when vehicle is driven once (pattern C) without the same malfunction after DTC is stored in ECM.

## EXPLANATION FOR DRIVING PATTERNS FOR "MISFIRE <EXHAUST QUALITY DETERIORATION>", "FUEL INJECTION SYSTEM"

<Driving Pattern B>

Driving pattern B means operating vehicle as per the following:

# ON BOARD DIAGNOSTIC (OBD) SYSTEM

[VK56DE]

## < FUNCTION DIAGNOSIS >

All components and systems should be monitored at least once by the OBD system.

- The B counter will be cleared when the malfunction is detected once regardless of the driving pattern.
- The B counter will be counted up when driving pattern B is satisfied without any malfunction.
- The MIL will turn off when the B counter reaches 3. (\*2 in "OBD SYSTEM OPERATION CHART")

### <Driving Pattern C>

Driving pattern C means operating vehicle as per the following:

The following conditions should be satisfied at the same time:

Engine speed: (Engine speed in the freeze frame data)  $\pm 375$  rpm

Calculated load value: (Calculated load value in the freeze frame data)  $\times (1 \pm 0.1)$  [%]

Engine coolant temperature (T) condition:

- When the freeze frame data shows lower than 70°C (158°F), T should be lower than 70°C (158°F).
- When the freeze frame data shows higher than or equal to 70°C (158°F), T should be higher than or equal to 70°C (158°F).

Example:

If the stored freeze frame data is as follows:

Engine speed: 850 rpm, Calculated load value: 30%, Engine coolant temperature: 80°C (176°F)

To be satisfied with driving pattern C, the vehicle should run under the following conditions:

Engine speed: 475 - 1,225 rpm, Calculated load value: 27 - 33%, Engine coolant temperature: more than 70°C (158°F)

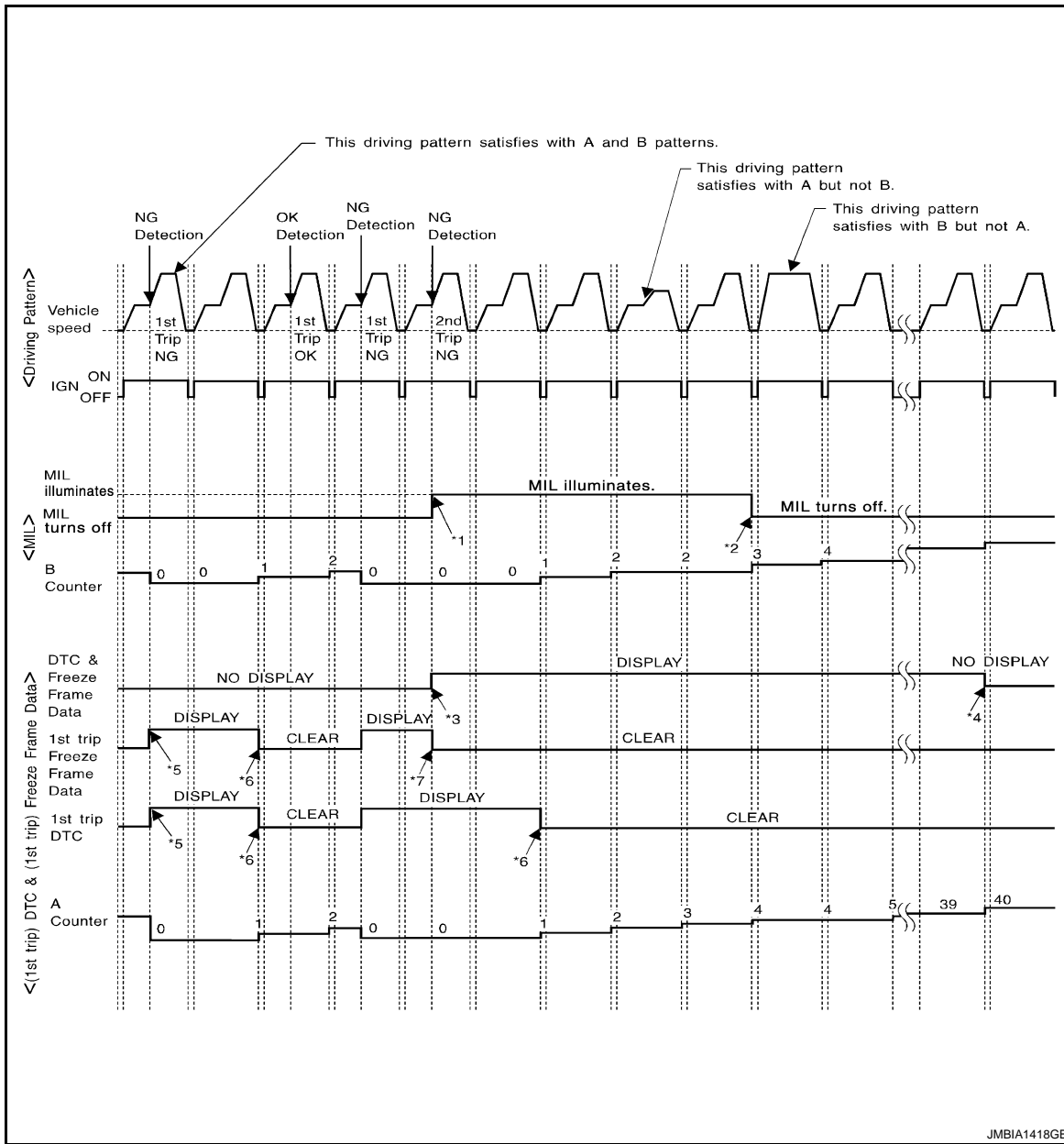
- The C counter will be cleared when the malfunction is detected regardless of vehicle conditions above.
- The C counter will be counted up when vehicle conditions above are satisfied without the same malfunction.
- The DTC will not be displayed after C counter reaches 80.
- The 1st trip DTC will be cleared when C counter is counted once without the same malfunction after DTC is stored in ECM.

RELATIONSHIP BETWEEN MIL, DTC, 1ST TRIP DTC AND DRIVING PATTERNS EXCEPT FOR "MISFIRE <EXHAUST QUALITY DETERIORATION>", "FUEL INJECTION SYSTEM"

# ON BOARD DIAGNOSTIC (OBD) SYSTEM

< FUNCTION DIAGNOSIS >

[VK56DE]



\*1: When the same malfunction is detected in two consecutive trips, MIL will illuminate.

\*2: MIL will turn off after vehicle is driven 3 times (pattern B) without any malfunctions.

\*3: When the same malfunction is detected in two consecutive trips, the DTC and the freeze frame data will be stored in ECM.

\*4: The DTC and the freeze frame data will not be displayed any longer after vehicle is driven 40 times (pattern A) without the same malfunction. (The DTC and the freeze frame data still remain in ECM.)

\*5: When a malfunction is detected for the first time, the 1st trip DTC and the 1st trip freeze frame data will be stored in ECM.

\*6: 1st trip DTC will be cleared after vehicle is driven once (pattern B) without the same malfunction.

\*7: When the same malfunction is detected in the 2nd trip, the 1st trip freeze frame data will be cleared.

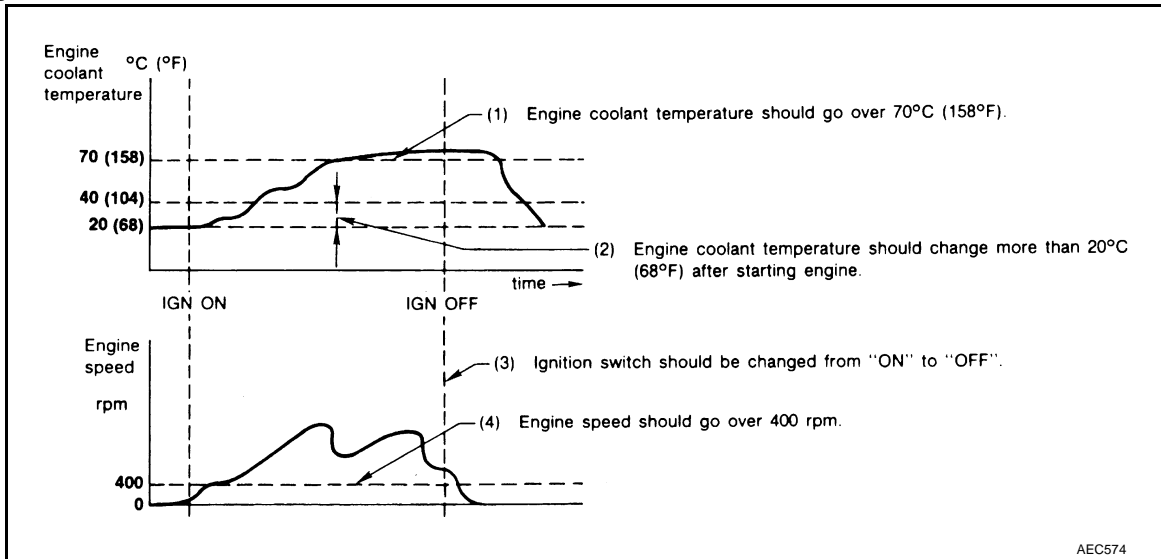
EXPLANATION FOR DRIVING PATTERNS EXCEPT FOR "MISFIRE <EXHAUST QUALITY DETERIORATION>", "FUEL INJECTION SYSTEM"

# ON BOARD DIAGNOSTIC (OBD) SYSTEM

[VK56DE]

## < FUNCTION DIAGNOSIS >

### <Driving Pattern A>



- The A counter will be cleared when the malfunction is detected regardless of (1) - (4).
- The A counter will be counted up when (1) - (4) are satisfied without the same malfunction.
- The DTC will not be displayed after the A counter reaches 40.

### <Driving Pattern B>

Driving pattern B means operating vehicle as per the following:

All components and systems should be monitored at least once by the OBD system.

- The B counter will be cleared when the malfunction is detected once regardless of the driving pattern.
- The B counter will be counted up when driving pattern B is satisfied without any malfunctions.
- The MIL will turn off when the B counter reaches 3 (\*2 in OBD SYSTEM OPERATION CHART).

## CONSULT-III Function (ENGINE)

INFOID:000000003936477

### FUNCTION

Diagnostic test mode	Function
Work Support	This mode enables a technician to adjust some devices faster and more accurately by following the indications on the CONSULT-III unit.
Self Diagnostic Result	Self-diagnostic results such as 1st trip DTC, DTCs and 1st trip freeze frame data or freeze frame data can be read and erased quickly.*
Data Monitor	Input/Output data in the ECM can be read.
Active Test	Diagnostic Test Mode in which CONSULT-III drives some actuators apart from the ECMs and also shifts some parameters in a specified range.
Function Test	This mode is used to inform customers when the vehicle requires periodic maintenance.
DTC & SRT Confirmation	The status of system monitoring tests and the self-diagnosis status/results can be confirmed.
ECU Identification	ECM part number can be read.

\*: The following emission-related diagnostic information is cleared when the ECM memory is erased.

- Diagnostic trouble codes
- 1st trip diagnostic trouble codes
- Freeze frame data
- 1st trip freeze frame data
- System readiness test (SRT) codes
- Test values

## ENGINE CONTROL COMPONENT PARTS/CONTROL SYSTEMS APPLICATION

# ON BOARD DIAGNOSTIC (OBD) SYSTEM

< FUNCTION DIAGNOSIS >

[VK56DE]

Item		DIAGNOSTIC TEST MODE						EC	
		WORK SUPPORT	SELF DIAGNOSTIC RESULT		DATA MONITOR	ACTIVE TEST	DTC & SRT CONFIRMATION		
			DTC*1	FREEZE FRAME DATA*2			SRT STATUS		DTC WORK SUPPORT
ENGINE CONTROL COMPONENT PARTS	INPUT	Crankshaft position sensor (POS)	×	×	×				A
	Camshaft position sensor (PHASE)	×	×	×				C	
	Mass air flow sensor	×		×					D
	Engine coolant temperature sensor	×	×	×	×				E
	Air fuel ratio (A/F) sensor 1	×		×		×	×		F
	Heated oxygen sensor 2	×		×		×	×		G
	Vehicle speed signal	×	×	×					H
	Accelerator pedal position sensor	×		×					I
	Throttle position sensor	×	×	×					J
	Fuel tank temperature sensor	×		×	×				K
	EVAP control system pressure sensor	×		×					L
	Intake air temperature sensor	×	×	×					M
	Knock sensor	×							N
	Refrigerant pressure sensor				×				O
	Closed throttle position switch (accelerator pedal position sensor signal)				×				P
	Air conditioner switch				×				
	Park/neutral position (PNP) signal	×		×					
	Stop lamp switch	×		×					
	Power steering pressure sensor	×		×					
	Battery voltage				×				
Load signal				×					
Intake valve timing control position sensor	×		×						
Fuel level sensor	×		×						
Battery current sensor	×		×						
ASCD steering switch	×		×						
ASCD brake switch	×		×						

# ON BOARD DIAGNOSTIC (OBD) SYSTEM

< FUNCTION DIAGNOSIS >

[VK56DE]

Item		DIAGNOSTIC TEST MODE						
		WORK SUPPORT	SELF DIAGNOSTIC RESULT		DATA MONITOR	ACTIVE TEST	DTC & SRT CONFIRMATION	
			DTC*1	FREEZE FRAME DATA*2			SRT STATUS	DTC WORK SUPPORT
ENGINE CONTROL COMPONENT PARTS OUTPUT	Fuel injector				×	×		
	Power transistor (Ignition timing)				×	×		
	Throttle control motor relay		×		×			
	Throttle control motor		×					
	EVAP canister purge volume control solenoid valve		×		×	×		×
	Air conditioner relay				×			
	Fuel pump relay	×			×	×		
	Cooling fan relay		×		×	×		
	Air fuel ratio (A/F) sensor 1 heater		×		×		×*3	
	Heated oxygen sensor 2 heater		×		×		×*3	
	EVAP canister vent control valve	×	×		×	×		
	Intake valve timing control solenoid valve		×		×	×		
	Alternator				×	×		
	Calculated load value			×	×			

X: Applicable

\*1: This item includes 1st trip DTCs.

\*2: This mode includes 1st trip freeze frame data or freeze frame data. The items appear on CONSULT-III screen in freeze frame data mode only if a 1st trip DTC or DTC is detected. For details, refer to [EC-525, "Emission-related Diagnostic Information"](#).

\*3: Always "CMLPT" is displayed.

## WORK SUPPORT MODE

Work Item

WORK ITEM	CONDITION	USAGE
FUEL PRESSURE RELEASE	<ul style="list-style-type: none"> <li>FUEL PUMP WILL STOP BY TOUCHING "START" DURING IDLING. CRANK A FEW TIMES AFTER ENGINE STALLS.</li> </ul>	When releasing fuel pressure from fuel line
IDLE AIR VOL LEARN	<ul style="list-style-type: none"> <li>THE IDLE AIR VOLUME THAT KEEPS THE ENGINE WITHIN THE SPECIFIED RANGE IS MEMORIZED IN ECM.</li> </ul>	When learning the idle air volume
SELF-LEARNING CONT	<ul style="list-style-type: none"> <li>THE COEFFICIENT OF SELF-LEARNING CONTROL MIXTURE RATIO RETURNS TO THE ORIGINAL COEFFICIENT.</li> </ul>	When clearing the coefficient of self-learning control value



# ON BOARD DIAGNOSTIC (OBD) SYSTEM

< FUNCTION DIAGNOSIS >

[VK56DE]

WORK ITEM	CONDITION	USAGE
EVAP SYSTEM CLOSE	<p>CLOSE THE EVAP CANISTER VENT CONTROL VALVE IN ORDER TO MAKE EVAP SYSTEM CLOSE UNDER THE FOLLOWING CONDITIONS.</p> <ul style="list-style-type: none"> <li>• IGN SW ON</li> <li>• ENGINE NOT RUNNING</li> <li>• AMBIENT TEMPERATURE IS ABOVE 0°C (32°F).</li> <li>• NO VACUUM AND NO HIGH PRESSURE IN EVAP SYSTEM</li> <li>• FUEL TANK TEMP. IS MORE THAN 0°C (32°F).</li> <li>• WITHIN 10 MINUTES AFTER STARTING "EVAP SYSTEM CLOSE"</li> <li>• WHEN TRYING TO EXECUTE "EVAP SYSTEM CLOSE" UNDER THE CONDITION EXCEPT ABOVE, CONSULT-III WILL DISCONTINUE IT AND DISPLAY APPROPRIATE INSTRUCTION.</li> </ul> <p><b>NOTE:</b> <b>WHEN STARTING ENGINE, CONSULT-III MAY DISPLAY "BATTERY VOLTAGE IS LOW. CHARGE BATTERY", EVEN IN USING CHARGED BATTERY.</b></p>	When detecting EVAP vapor leak of EVAP system
VIN REGISTRATION	<ul style="list-style-type: none"> <li>• IN THIS MODE, VIN IS REGISTERED IN ECM</li> </ul>	When registering VIN in ECM
TARGET IDLE RPM ADJ*1	<ul style="list-style-type: none"> <li>• IDLE CONDITION</li> </ul>	When setting target idle speed
TARGET IGN TIM ADJ*1	<ul style="list-style-type: none"> <li>• IDLE CONDITION</li> </ul>	When adjusting target ignition timing

\*1: This function is not necessary in the usual service procedure.

## SELF-DIAG RESULTS MODE

Self Diagnostic Item

Regarding items of DTC and 1st trip DTC, refer to [EC-921. "DTC Index"](#).

Freeze Frame Data and 1st Trip Freeze Frame Data

Freeze frame data item*	Description
DIAG TROUBLE CODE [PXXXX]	<ul style="list-style-type: none"> <li>• The engine control component part/control system has a trouble code, that is displayed as PXXXX. (Refer to <a href="#">EC-921. "DTC Index"</a>.)</li> </ul>
FUEL SYS-B1	<ul style="list-style-type: none"> <li>• "Fuel injection system status" at the moment a malfunction is detected is displayed.</li> <li>• One of the following mode is displayed. Mode2: Open loop due to detected system malfunction Mode3: Open loop due to driving conditions (power enrichment, deceleration enrichment) Mode4: Closed loop - using oxygen sensor(s) as feedback for fuel control Mode5: Open loop - has not yet satisfied condition to go to closed loop</li> </ul>
FUEL SYS-B2	
CAL/LD VALUE [%]	<ul style="list-style-type: none"> <li>• The calculated load value at the moment a malfunction is detected is displayed.</li> </ul>
COOLANT TEMP [°C] or [°F]	<ul style="list-style-type: none"> <li>• The engine coolant temperature at the moment a malfunction is detected is displayed.</li> </ul>
L-FUEL TRM-B1 [%]	<ul style="list-style-type: none"> <li>• "Long-term fuel trim" at the moment a malfunction is detected is displayed.</li> <li>• The "long-term fuel trim" indicates much more gradual feedback compensation to the base fuel schedule than "short-term fuel trim".</li> </ul>
L-FUEL TRM-B2 [%]	
S-FUEL TRM-B1 [%]	<ul style="list-style-type: none"> <li>• "Short-term fuel trim" at the moment a malfunction is detected is displayed.</li> <li>• The "short-term fuel trim" indicates dynamic or instantaneous feedback compensation to the base fuel schedule.</li> </ul>
S-FUEL TRM-B2 [%]	
ENGINE SPEED [rpm]	<ul style="list-style-type: none"> <li>• The engine speed at the moment a malfunction is detected is displayed.</li> </ul>
VEHICL SPEED [km/h] or [mph]	<ul style="list-style-type: none"> <li>• The vehicle speed at the moment a malfunction is detected is displayed.</li> </ul>
ABSOL TH-P/S [%]	<ul style="list-style-type: none"> <li>• The throttle valve opening at the moment a malfunction is detected is displayed.</li> </ul>
B/FUEL SCHDL [msec]	<ul style="list-style-type: none"> <li>• The base fuel schedule at the moment a malfunction is detected is displayed.</li> </ul>
INT/A TEMP SE [°C] or [°F]	<ul style="list-style-type: none"> <li>• The intake air temperature at the moment a malfunction is detected is displayed.</li> </ul>

# ON BOARD DIAGNOSTIC (OBD) SYSTEM

< FUNCTION DIAGNOSIS >

[VK56DE]

Freeze frame data item*	Description
INT MANI PRES [kPa]	<ul style="list-style-type: none"> <li>• These items are displayed but are not applicable to this models.</li> </ul>
COMBUST CONDITION	

\*: The item is the same as that of 1st trip freeze frame data.

## DATA MONITOR MODE

Monitored Item

×: Applicable

Monitored item	Unit	Description	Remarks
ENG SPEED	rpm	<ul style="list-style-type: none"> <li>• Indicates the engine speed computed from the signal of the crankshaft position sensor (POS) and camshaft position sensor (PHASE).</li> </ul>	<ul style="list-style-type: none"> <li>• Accuracy becomes poor if engine speed drops below the idle rpm.</li> <li>• If the signal is interrupted while the engine is running, an abnormal value may be indicated.</li> </ul>
MAS A/F SE-B1	V	<ul style="list-style-type: none"> <li>• The signal voltage of the mass air flow sensor is displayed.</li> </ul>	<ul style="list-style-type: none"> <li>• When the engine is stopped, a certain value is indicated.</li> <li>• When engine is running, specification range is indicated in "SPEC".</li> </ul>
B/FUEL SCHDL	ms	<ul style="list-style-type: none"> <li>• Base fuel schedule indicates the fuel injection pulse width programmed into ECM, prior to any learned on board correction.</li> </ul>	<ul style="list-style-type: none"> <li>• When engine is running, specification range is indicated in "SPEC".</li> </ul>
A/F ALPHA-B1	%	<ul style="list-style-type: none"> <li>• The mean value of the air-fuel ratio feedback correction factor per cycle is indicated.</li> </ul>	<ul style="list-style-type: none"> <li>• When the engine is stopped, a certain value is indicated.</li> <li>• When engine is running, specification range is indicated in "SPEC".</li> <li>• This data also includes the data for the air-fuel ratio learning control.</li> </ul>
A/F ALPHA-B2	%		
COOLAN TEMP/S	°C or °F	<ul style="list-style-type: none"> <li>• The engine coolant temperature (determined by the signal voltage of the engine coolant temperature sensor) is displayed.</li> </ul>	<ul style="list-style-type: none"> <li>• When the engine coolant temperature sensor is open or short-circuited, ECM enters fail-safe mode. The engine coolant temperature determined by the ECM is displayed.</li> </ul>
A/F SEN1 (B1)	V	<ul style="list-style-type: none"> <li>• The A/F signal computed from the input signal of the A/F sensor 1 is displayed.</li> </ul>	
A/F SEN1 (B2)	V		
HO2S2 (B1)	V	<ul style="list-style-type: none"> <li>• The signal voltage of the heated oxygen sensor 2 is displayed.</li> </ul>	
HO2S2 (B2)	V		
HO2S2 MNTR (B1)	RICH/ LEAN	<ul style="list-style-type: none"> <li>• Display of heated oxygen sensor 2 signal: RICH: means the amount of oxygen after three way catalyst is relatively small. LEAN: means the amount of oxygen after three way catalyst is relatively large.</li> </ul>	<ul style="list-style-type: none"> <li>• When the engine is stopped, a certain value is indicated.</li> </ul>
HO2S2 MNTR (B2)	RICH/ LEAN		
VHCL SPEED SE	km/h or mph	<ul style="list-style-type: none"> <li>• The vehicle speed computed from the vehicle speed signal sent from unified meter control unit is displayed.</li> </ul>	
BATTERY VOLT	V	<ul style="list-style-type: none"> <li>• The power supply voltage of ECM is displayed.</li> </ul>	
ACCEL SEN 1	V	<ul style="list-style-type: none"> <li>• The accelerator pedal position sensor signal voltage is displayed.</li> </ul>	<ul style="list-style-type: none"> <li>• ACCEL SEN 2 signal is converted by ECM internally. Thus, it differs from ECM terminal voltage signal.</li> </ul>
ACCEL SEN 2	V		
TP SEN 1-B1	V	<ul style="list-style-type: none"> <li>• The throttle position sensor signal voltage is displayed.</li> </ul>	<ul style="list-style-type: none"> <li>• TP SEN 2-B1 signal is converted by ECM internally. Thus, it differs from ECM terminal voltage signal.</li> </ul>
TP SEN 2-B1	V		
FUEL T/TMP SE	°C or °F	<ul style="list-style-type: none"> <li>• The fuel temperature (determined by the signal voltage of the fuel tank temperature sensor) is displayed.</li> </ul>	
INT/A TEMP SE	°C or °F	<ul style="list-style-type: none"> <li>• The intake air temperature (determined by the signal voltage of the intake air temperature sensor) is indicated.</li> </ul>	

# ON BOARD DIAGNOSTIC (OBD) SYSTEM

< FUNCTION DIAGNOSIS >

[VK56DE]

Monitored item	Unit	Description	Remarks
EVAP SYS PRES	V	• The signal voltage of EVAP control system pressure sensor is displayed.	
FUEL LEVEL SE	V	• The signal voltage of the fuel level sensor is displayed.	
START SIGNAL	ON/OFF	• Indicates start signal status [ON/OFF] computed by ECM according to the signals of engine speed and battery voltage.	• After starting the engine, [OFF] is displayed regardless of the starter signal.
CLSD THL POS	ON/OFF	• Indicates idle position [ON/OFF] computed by ECM according to the accelerator pedal position sensor signal.	
AIR COND SIG	ON/OFF	• Indicates [ON/OFF] condition of the air conditioner switch as determined by the air conditioner signal.	
P/N POSI SW	ON/OFF	• Indicates [ON/OFF] condition from the park/neutral position (PNP) signal.	
PW/ST SIGNAL	ON/OFF	• [ON/OFF] condition of the power steering system (determined by the signal voltage of the power steering pressure sensor signal) is indicated.	
LOAD SIGNAL	ON/OFF	• Indicates [ON/OFF] condition from the electrical load signal. ON: Lighting switch is in 2nd position. OFF: Lighting switch is OFF.	
IGNITION SW	ON/OFF	• Indicates [ON/OFF] condition from ignition switch signal.	
HEATER FAN SW	ON/OFF	• Indicates [ON/OFF] condition from heater fan switch signal.	
BRAKE SW	ON/OFF	• Indicates [ON/OFF] condition from the stop lamp switch signal.	
INJ PULSE-B1	msec	• Indicates the actual fuel injection pulse width compensated by ECM according to the input signals.	• When the engine is stopped, a certain computed value is indicated.
INJ PULSE-B2	msec		
IGN TIMING	BTDC	• Indicates the ignition timing computed by ECM according to the input signals.	• When the engine is stopped, a certain value is indicated.
CAL/LD VALUE	%	• "Calculated load value" indicates the value of the current air flow divided by peak air flow.	
MASS AIRFLOW	gm/s	• Indicates the mass air flow computed by ECM according to the signal voltage of the mass air flow sensor.	
PURG VOL C/V	%	• Indicates the EVAP canister purge volume control solenoid valve control value computed by ECM according to the input signals. • The opening becomes larger as the value increases.	
INT/V TIM (B1)	°CA	• Indicates [°CA] of intake camshaft advanced angle.	
INT/V TIM (B2)	°CA		
INT/V SOL (B1)	%	• The control value of the intake valve timing control solenoid valve (determined by ECM according to the input signals) is indicated. • The advance angle becomes larger as the value increases.	
INT/V SOL (B2)	%		
AIR COND RLY	ON/OFF	• The air conditioner relay control condition (determined by ECM according to the input signals) is indicated.	
FUEL PUMP RLY	ON/OFF	• Indicates the fuel pump relay control condition determined by ECM according to the input signals.	

# ON BOARD DIAGNOSTIC (OBD) SYSTEM

< FUNCTION DIAGNOSIS >

[VK56DE]

Monitored item	Unit	Description	Remarks
VENT CONT/V	ON/OFF	<ul style="list-style-type: none"> <li>The control condition of the EVAP canister vent control valve (determined by ECM according to the input signals) is indicated.</li> <li>ON: Closed</li> <li>OFF: Open</li> </ul>	
THRTL RELAY	ON/OFF	<ul style="list-style-type: none"> <li>Indicates the throttle control motor relay control condition determined by ECM according to the input signals.</li> </ul>	
COOLING FAN	HI/LOW/OFF	<ul style="list-style-type: none"> <li>The control condition of the cooling fan (determined by ECM according to the input signals) is indicated.</li> <li>HI: High speed operation</li> <li>LOW: Low speed operation</li> <li>OFF: Stop</li> </ul>	
HO2S2 HTR (B1)	ON/OFF	<ul style="list-style-type: none"> <li>Indicates [ON/OFF] condition of heated oxygen sensor 2 heater determined by ECM according to the input signals.</li> </ul>	
HO2S2 HTR (B2)	ON/OFF		
I/P PULLY SPD	rpm	<ul style="list-style-type: none"> <li>Indicates the engine speed computed from the turbine revolution sensor signal.</li> </ul>	
VEHICLE SPEED	km/h or mph	<ul style="list-style-type: none"> <li>Indicates the vehicle speed computed from the revolution sensor signal.</li> </ul>	
IDL A/V LEARN	YET/CM-PLT	<ul style="list-style-type: none"> <li>Displays the condition of Idle Air Volume Learning</li> <li>YET: Idle Air Volume Learning has not been performed yet.</li> <li>CMPLT: Idle Air Volume Learning has already been performed successfully.</li> </ul>	
TRVL AFTER MIL	km or mile	<ul style="list-style-type: none"> <li>Distance traveled while MIL is activated.</li> </ul>	
A/F S1 HTR (B1)	%	<ul style="list-style-type: none"> <li>A/F sensor 1 heater control value computed by ECM according to the input signals.</li> <li>The current flow to the heater becomes larger as the value increases.</li> </ul>	
A/F S1 HTR (B2)	%		
AC PRESS SEN	V	<ul style="list-style-type: none"> <li>The signal voltage from the refrigerant pressure sensor is displayed.</li> </ul>	
VHCL SPEED SE	km/h or mph	<ul style="list-style-type: none"> <li>The vehicle speed computed from the vehicle speed signal sent from unified meter control unit is displayed.</li> </ul>	
SET VHCL SPD	km/h or mph	<ul style="list-style-type: none"> <li>The preset vehicle speed is displayed.</li> </ul>	
MAIN SW	ON/OFF	<ul style="list-style-type: none"> <li>Indicates [ON/OFF] condition from MAIN switch signal.</li> </ul>	
CANCEL SW	ON/OFF	<ul style="list-style-type: none"> <li>Indicates [ON/OFF] condition from CANCEL switch signal.</li> </ul>	
RESUME/ACC SW	ON/OFF	<ul style="list-style-type: none"> <li>Indicates [ON/OFF] condition from RESUME/ACCELERATE switch signal.</li> </ul>	
SET SW	ON/OFF	<ul style="list-style-type: none"> <li>Indicates [ON/OFF] condition from SET/COAST switch signal.</li> </ul>	
BRAKE SW1	ON/OFF	<ul style="list-style-type: none"> <li>Indicates [ON/OFF] condition from ASCD brake switch signal.</li> </ul>	
BRAKE SW2	ON/OFF	<ul style="list-style-type: none"> <li>Indicates [ON/OFF] condition of stop lamp switch signal.</li> </ul>	
VHCL SPD CUT	NON/CUT	<ul style="list-style-type: none"> <li>Indicates the vehicle cruise condition.</li> <li>NON: Vehicle speed is maintained at the ASCD set speed.</li> <li>CUT: Vehicle speed increased to excessively high compared with the ASCD set speed, and ASCD operation is cut off.</li> </ul>	

# ON BOARD DIAGNOSTIC (OBD) SYSTEM

< FUNCTION DIAGNOSIS >

[VK56DE]

Monitored item	Unit	Description	Remarks
LO SPEED CUT	NON/ CUT	<ul style="list-style-type: none"> <li>Indicates the vehicle cruise condition.</li> <li>NON: Vehicle speed is maintained at the ASCD set speed.</li> <li>CUT: Vehicle speed decreased to excessively low compared with the ASCD set speed, and ASCD operation is cut off.</li> </ul>	
AT OD MONITOR	ON/OFF	<ul style="list-style-type: none"> <li>Indicates [ON/OFF] condition of A/T O/D according to the input signal from TCM.</li> </ul>	
AT OD CANCEL	ON/OFF	<ul style="list-style-type: none"> <li>Indicates [ON/OFF] condition of A/T O/D cancel signal sent from TCM.</li> </ul>	
CRUISE LAMP	ON/OFF	<ul style="list-style-type: none"> <li>Indicates [ON/OFF] condition of CRUISE lamp determined by ECM according to the input signals.</li> </ul>	
SET LAMP	ON/OFF	<ul style="list-style-type: none"> <li>Indicates [ON/OFF] condition of SET lamp determined by ECM according to the input signals.</li> </ul>	
ALT DUTY	%	<ul style="list-style-type: none"> <li>Indicates the duty ratio of the power generation command value. The ratio is calculated by ECM based on the battery current sensor signal.</li> </ul>	
BAT CUR SEN	mV	<ul style="list-style-type: none"> <li>The signal voltage of battery current sensor is displayed.</li> </ul>	
ALT DUTY SIG	ON/OFF	<ul style="list-style-type: none"> <li>The control condition of the power generation voltage variable control (determined by ECM according to the input signals) is indicated.</li> <li>ON: Power generation voltage variable control is active.</li> <li>OFF: Power generation voltage variable control is inactive.</li> </ul>	
A/F ADJ-B1	—	<ul style="list-style-type: none"> <li>Indicates the correction factor stored in ECM. The factor is calculated from the difference between the target air/fuel ratio stored in ECM and the air-fuel ratio calculated from A/F sensor 1 signal.</li> </ul>	
A/F ADJ-B2	—		

**NOTE:**

Any monitored item that does not match the vehicle being diagnosed is deleted from the display automatically.

## ACTIVE TEST MODE

### Test Item

TEST ITEM	CONDITION	JUDGMENT	CHECK ITEM (REMEDY)
FUEL INJECTION	<ul style="list-style-type: none"> <li>Engine: Return to the original trouble condition</li> <li>Change the amount of fuel injection using CONSULT-III.</li> </ul>	If trouble symptom disappears, see CHECK ITEM.	<ul style="list-style-type: none"> <li>Harness and connectors</li> <li>Fuel injector</li> <li>Air fuel ratio (A/F) sensor 1</li> </ul>
IGNITION TIMING	<ul style="list-style-type: none"> <li>Engine: Return to the original trouble condition</li> <li>Timing light: Set</li> <li>Retard the ignition timing using CONSULT-III.</li> </ul>	If trouble symptom disappears, see CHECK ITEM.	<ul style="list-style-type: none"> <li>Perform Idle Air Volume Learning.</li> </ul>
POWER BALANCE	<ul style="list-style-type: none"> <li>Engine: After warming up, idle the engine.</li> <li>A/C switch: OFF</li> <li>Selector lever: P or N</li> <li>Cut off each injector signal one at a time using CONSULT-III.</li> </ul>	Engine runs rough or dies.	<ul style="list-style-type: none"> <li>Harness and connectors</li> <li>Compression</li> <li>Fuel injector</li> <li>Power transistor</li> <li>Spark plug</li> <li>Ignition coil</li> </ul>
COOLING FAN*	<ul style="list-style-type: none"> <li>Ignition switch: ON</li> <li>Turn the cooling fan HI and OFF using CONSULT-III.</li> </ul>	Cooling fan moves and stops.	<ul style="list-style-type: none"> <li>Harness and connectors</li> <li>Cooling fan motor</li> <li>IPDM E/R</li> </ul>

# ON BOARD DIAGNOSTIC (OBD) SYSTEM

< FUNCTION DIAGNOSIS >

[VK56DE]

TEST ITEM	CONDITION	JUDGMENT	CHECK ITEM (REMEDY)
ENG COOLANT TEMP	<ul style="list-style-type: none"> <li>Engine: Return to the original trouble condition</li> <li>Change the engine coolant temperature using CONSULT-III.</li> </ul>	If trouble symptom disappears, see CHECK ITEM.	<ul style="list-style-type: none"> <li>Harness and connectors</li> <li>Engine coolant temperature sensor</li> <li>Fuel injector</li> </ul>
FUEL PUMP RELAY	<ul style="list-style-type: none"> <li>Ignition switch: ON (Engine stopped)</li> <li>Turn the fuel pump relay ON and OFF using CONSULT-III and listen to operating sound.</li> </ul>	Fuel pump relay makes the operating sound.	<ul style="list-style-type: none"> <li>Harness and connectors</li> <li>Fuel pump relay</li> </ul>
PURG VOL CONT/V	<ul style="list-style-type: none"> <li>Engine: After warming up, run engine at 1,500 rpm.</li> <li>Change the EVAP canister purge volume control solenoid valve opening percent using CONSULT-III.</li> </ul>	Engine speed changes according to the opening percent.	<ul style="list-style-type: none"> <li>Harness and connectors</li> <li>Solenoid valve</li> </ul>
FUEL/T TEMP SEN	<ul style="list-style-type: none"> <li>Change the fuel tank temperature using CONSULT-III.</li> </ul>		
VENT CONTROL/V	<ul style="list-style-type: none"> <li>Ignition switch: ON (Engine stopped)</li> <li>Turn solenoid valve ON and OFF with the CONSULT-III and listen to operating sound.</li> </ul>	Solenoid valve makes an operating sound.	<ul style="list-style-type: none"> <li>Harness and connectors</li> <li>Solenoid valve</li> </ul>
V/T ASSIGN ANGLE	<ul style="list-style-type: none"> <li>Engine: Return to the original trouble condition</li> <li>Change intake valve timing using CONSULT-III.</li> </ul>	If trouble symptom disappears, see CHECK ITEM.	<ul style="list-style-type: none"> <li>Harness and connectors</li> <li>Intake valve timing control solenoid valve</li> </ul>
ALTERNATOR DUTY	<ul style="list-style-type: none"> <li>Engine: Idle</li> <li>Change duty ratio using CONSULT-III.</li> </ul>	Battery voltage changes.	<ul style="list-style-type: none"> <li>Harness and connectors</li> <li>IPDM E/R</li> <li>Alternator</li> </ul>

\*: Leaving cooling fan OFF with CONSULT-III while engine is running may cause the engine to overheat.

## DTC & SRT CONFIRMATION MODE

### SRT STATUS Mode

For details, refer to "SYSTEM READINESS TEST (SRT) CODE" in [EC-525, "Emission-related Diagnostic Information"](#).

### SRT WORK SUPPORT Mode

This mode enables a technician to drive a vehicle to set the SRT while monitoring the SRT status.

### DTC WORK SUPPORT Mode

Test mode	Test item	Corresponding DTC No.	Reference page
EVAPORATIVE SYSTEM	PURG FLOW P0441	P0441	<a href="#">EC-699, "DTC Confirmation Procedure"</a>
	EVP SML LEAK P0442/P1442*	P0442	<a href="#">EC-705, "DTC Confirmation Procedure"</a>
		P0455	<a href="#">EC-740, "DTC Confirmation Procedure"</a>
	EVP V/S LEAK P0456/P1456*	P0456	<a href="#">EC-748, "DTC Confirmation Procedure"</a>
	PURG VOL CN/V P1444	P0443	<a href="#">EC-712, "DTC Confirmation Procedure"</a>
A/F SEN1	A/F SEN1 (B1) P1276	P0130	<a href="#">EC-621, "DTC Confirmation Procedure"</a>
	A/F SEN1 (B1) P1278/P1279	P0133	<a href="#">EC-633, "DTC Confirmation Procedure"</a>
	A/F SEN1 (B2) P1286	P0150	<a href="#">EC-621, "DTC Confirmation Procedure"</a>
	A/F SEN1 (B2) P1288/P1289	P0153	<a href="#">EC-633, "DTC Confirmation Procedure"</a>

# ON BOARD DIAGNOSTIC (OBD) SYSTEM

< FUNCTION DIAGNOSIS >

[VK56DE]

Test mode	Test item	Corresponding DTC No.	Reference page
HO2S2	HO2S2 (B1) P0139	P0139	<a href="#">EC-652, "DTC Confirmation Procedure"</a>
	HO2S2 (B1) P1146	P0138	<a href="#">EC-644, "DTC Confirmation Procedure"</a>
	HO2S2 (B1) P1147	P0137	<a href="#">EC-639, "DTC Confirmation Procedure"</a>
	HO2S2 (B2) P0159	P0159	<a href="#">EC-652, "DTC Confirmation Procedure"</a>
	HO2S2 (B2) P1166	P0158	<a href="#">EC-644, "DTC Confirmation Procedure"</a>
	HO2S2 (B2) P1167	P0157	<a href="#">EC-639, "DTC Confirmation Procedure"</a>

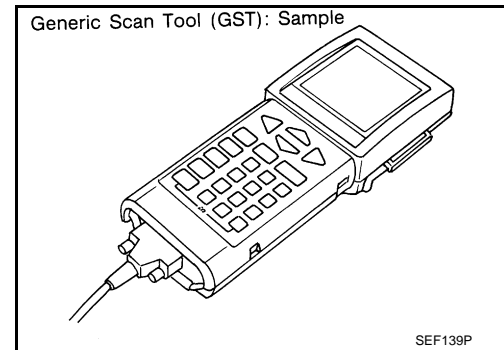
\*: DTC P1442 and P1456 does not apply to R51 models but appears in DTC Work Support Mode screens.

## Generic Scan Tool (GST) Function

INFOID:000000003936478

### DESCRIPTION

Generic Scan Tool (OBD II scan tool) complying with SAE J1978 has several functions explained below. ISO15765-4 is used as the protocol. The name GST or Generic Scan Tool is used in this service manual.



### FUNCTION

Diagnostic test mode		Function
Service \$01	READINESS TESTS	This diagnostic service gains access to current emission-related data values, including analog inputs and outputs, digital inputs and outputs, and system status information.
Service \$02	(FREEZE DATA)	This diagnostic service gains access to emission-related data value which were stored by ECM during the freeze frame. For details, refer to <a href="#">EC-525, "Emission-related Diagnostic Information"</a> .
Service \$03	DTCs	This diagnostic service gains access to emission-related power train trouble codes which were stored by ECM.
Service \$04	CLEAR DIAG INFO	This diagnostic service can clear all emission-related diagnostic information. This includes: <ul style="list-style-type: none"> <li>• Clear number of diagnostic trouble codes (Service \$01)</li> <li>• Clear diagnostic trouble codes (Service \$03)</li> <li>• Clear trouble code for freeze frame data (Service \$01)</li> <li>• Clear freeze frame data (Service \$02)</li> <li>• Reset status of system monitoring test (Service \$01)</li> <li>• Clear on board monitoring test results (Service \$06 and \$07)</li> </ul>
Service \$06	(ON BOARD TESTS)	This diagnostic service accesses the results of on board diagnostic monitoring tests of specific components/systems that are not continuously monitored.
Service \$07	(ON BOARD TESTS)	This diagnostic service enables the off board test drive to obtain test results for emission-related powertrain components/systems that are continuously monitored during normal driving conditions.

# ON BOARD DIAGNOSTIC (OBD) SYSTEM

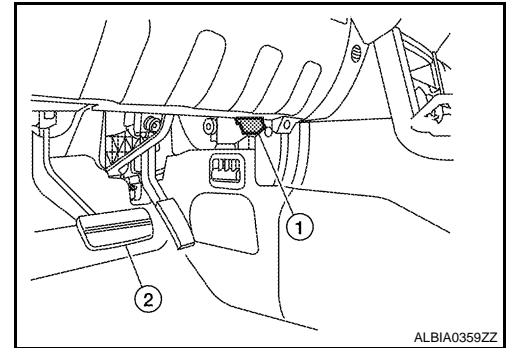
< FUNCTION DIAGNOSIS >

[VK56DE]

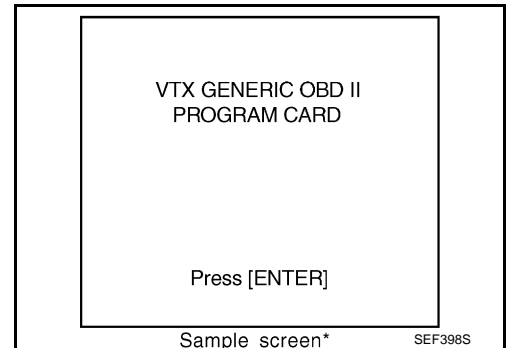
Diagnostic test mode		Function
Service \$08	—	<p>This diagnostic service can close EVAP system in ignition switch ON position (Engine stopped). When this diagnostic service is performed, the EVAP canister vent control valve can be closed.</p> <p>In the following conditions, this diagnostic service cannot function.</p> <ul style="list-style-type: none"> <li>• Low ambient temperature</li> <li>• Low battery voltage</li> <li>• Engine running</li> <li>• Ignition switch OFF</li> <li>• Low fuel temperature</li> <li>• Too much pressure is applied to EVAP system</li> </ul>
Service \$09	(CALIBRATION ID)	<p>This diagnostic service enables the off-board test device to request specific vehicle information such as Vehicle Identification Number (VIN) and Calibration IDs.</p>

## INSPECTION PROCEDURE

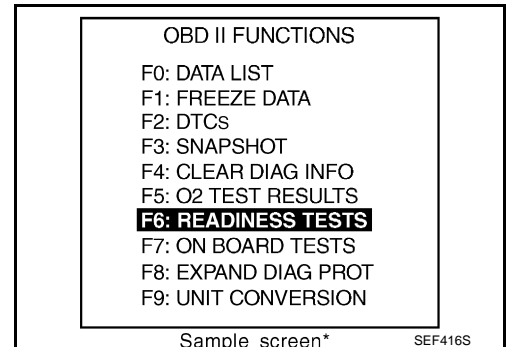
1. Turn ignition switch OFF.
2. Connect GST to data link connector (1), which is located under LH dash panel near the hood opener handle.
  - Brake pedal (2)
3. Turn ignition switch ON.



4. Enter the program according to instructions on the screen or in the operation manual.  
 (\*: Regarding GST screens in this section, sample screens are shown.)



5. Perform each diagnostic service according to each service procedure.  
**For further information, see the GST Operation Manual of the tool maker.**





## COMPONENT DIAGNOSIS

### TROUBLE DIAGNOSIS - SPECIFICATION VALUE

#### Description

INFOID:000000003936479

The specification (SP) value indicates the tolerance of the value that is displayed in "SPEC" of "DATA MONITOR" mode of CONSULT-III during normal operation of the Engine Control System. When the value in "SPEC" of "DATA MONITOR" mode is within the SP value, the Engine Control System is confirmed OK. When the value in "SPEC" of "DATA MONITOR" mode is NOT within the SP value, the Engine Control System may have one or more malfunctions.

The SP value is used to detect malfunctions that may affect the Engine Control System, but will not illuminate the MIL.

The SP value will be displayed for the following three items:

- B/FUEL SCHDL (The fuel injection pulse width programmed into ECM prior to any learned on board correction)
- A/F ALPHA-B1/B2 (The mean value of air-fuel ratio feedback correction factor per cycle)
- MAS A/F SE-B1 (The signal voltage of the mass air flow sensor)

#### Testing Condition

INFOID:000000003936480

- Vehicle driven distance: More than 5,000 km (3,107 miles)
- Barometric pressure: 98.3 - 104.3 kPa (1.003 - 1.064 kg/cm<sup>2</sup>, 14.25 - 15.12 psi)
- Atmospheric temperature: 20 - 30°C (68 - 86°F)
- Engine coolant temperature: 75 - 95°C (167 - 203°F)
- Engine speed: Idle
- Transmission: Warmed-up
- After the engine is warmed up to normal operating temperature, drive vehicle until "ATF TEMP SE 1" (A/T fluid temperature sensor signal) indicates more than 60°C (140°F).
- Electrical load: Not applied
- Rear window defogger switch, air conditioner switch, lighting switch are OFF. Steering wheel is straight ahead.

#### Inspection Procedure

INFOID:000000003936481

**NOTE:**

Perform "SPEC" in "DATA MONITOR" mode in maximum scale display.

1. Perform [EC-495, "Basic Inspection"](#).
2. Check that the testing conditions indicated above are met.
3. Select "B/FUEL SCHDL", "A/F ALPHA-B1", "A/F ALPHA-B2" and "MAS A/F SE-B1" in "SPEC" of "DATA MONITOR" mode with CONSULT-III.
4. Check that monitor items are within the SP value.
5. If NG, go to [EC-558, "Diagnosis Procedure"](#).

# TROUBLE DIAGNOSIS - SPECIFICATION VALUE

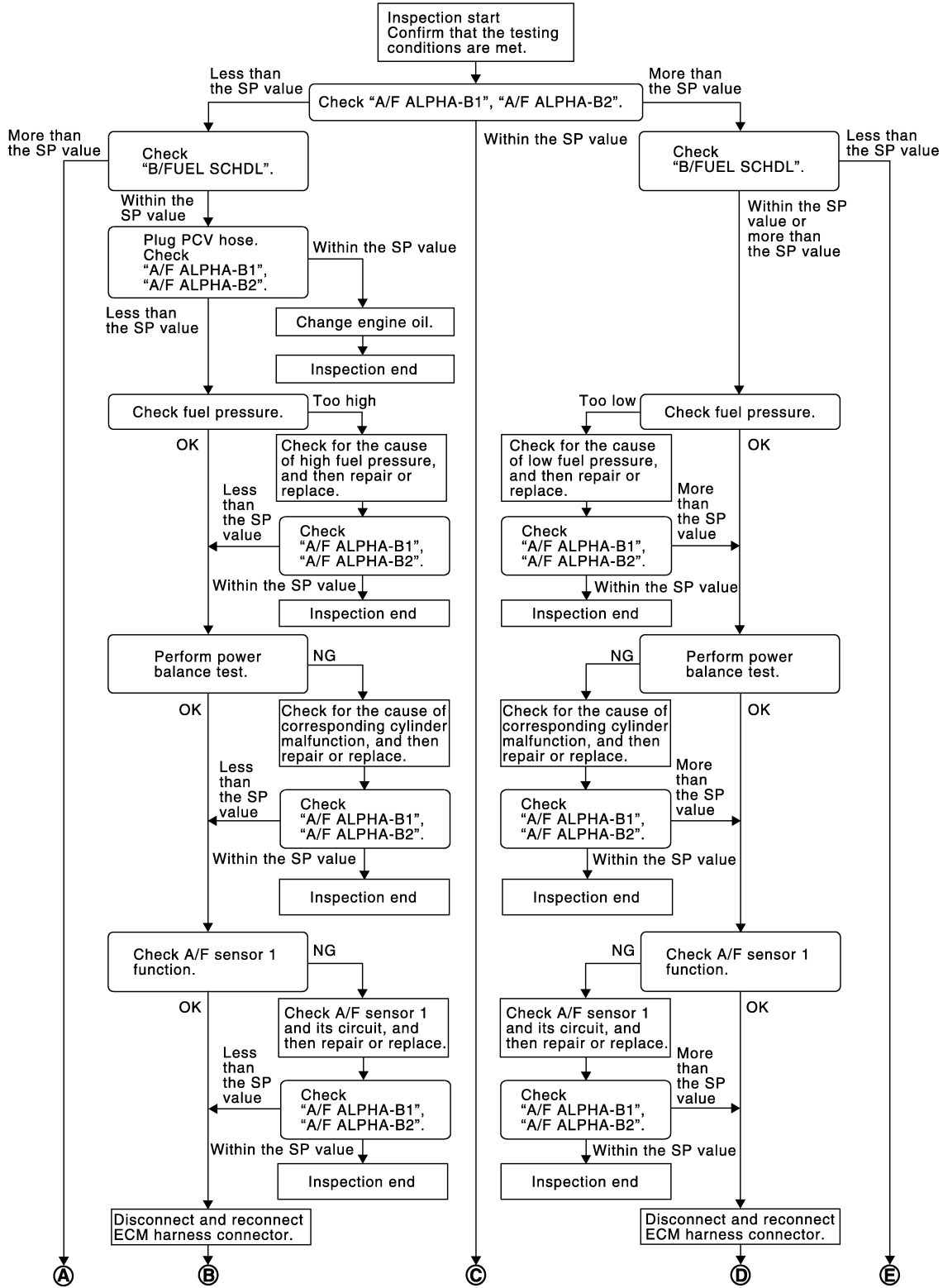
< COMPONENT DIAGNOSIS >

[VK56DE]

## Diagnosis Procedure

INFOID:000000003936482

### OVERALL SEQUENCE

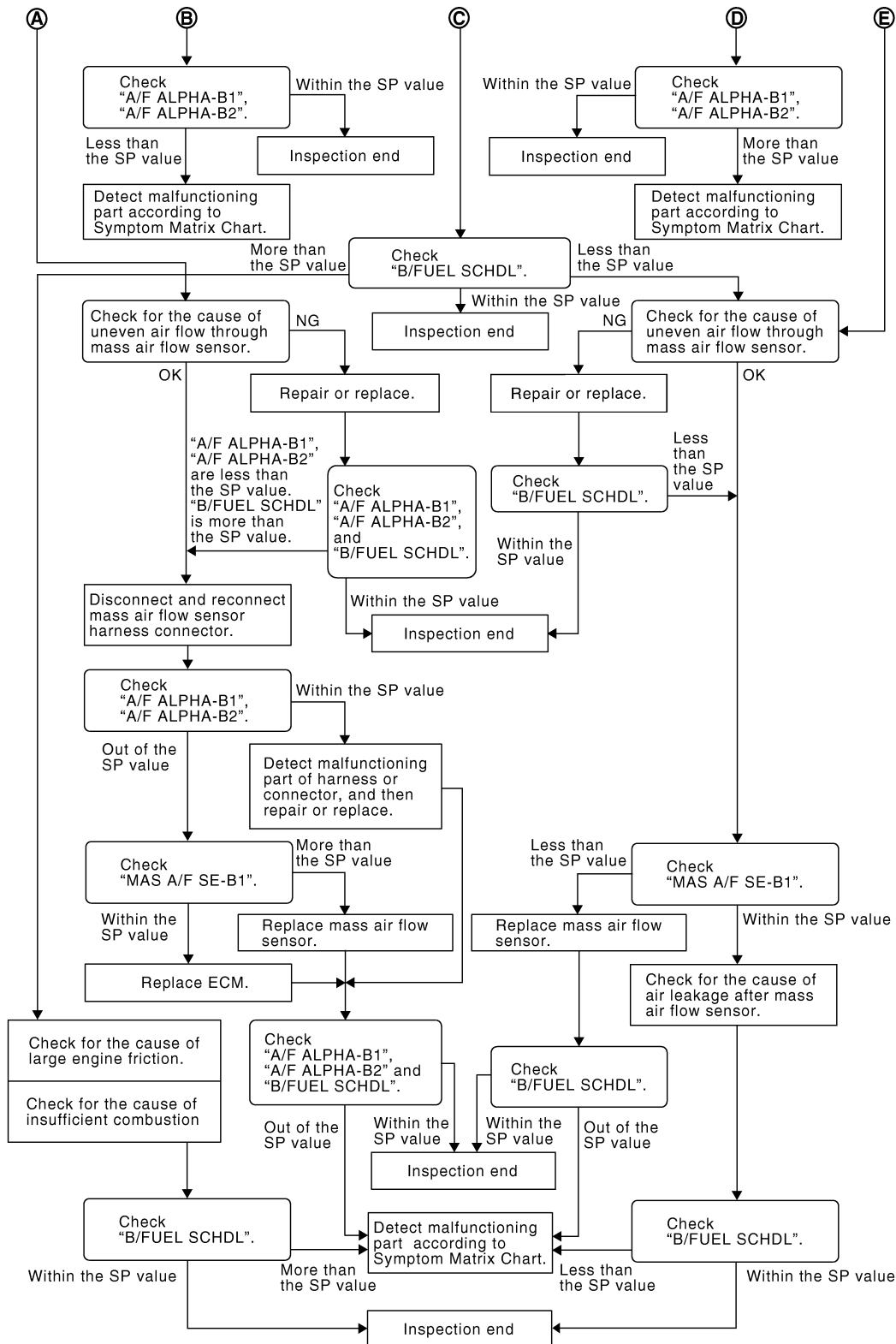


JMBIA1468GB

# TROUBLE DIAGNOSIS - SPECIFICATION VALUE

< COMPONENT DIAGNOSIS >

[VK56DE]



A  
EC  
C  
D  
E  
F  
G  
H  
I  
J  
K  
L  
M  
N  
O  
P

## DETAILED PROCEDURE

### 1. CHECK "A/F ALPHA-B1", "A/F ALPHA-B2"

1. Start engine.
2. Check that the testing conditions are met. Refer to [EC-557. "Testing Condition"](#).
3. Select "A/F ALPHA-B1", "A/F ALPHA-B2" in "SPEC" of "DATA MONITOR" mode, and check that each indication is within the SP value.

**NOTE:**

# TROUBLE DIAGNOSIS - SPECIFICATION VALUE

[VK56DE]

## < COMPONENT DIAGNOSIS >

Check "A/F ALPHA-B1", "A/F ALPHA-B2" for approximately 1 minute because they may fluctuate. It is NG if the indication is out of the SP value even a little.

### OK or NG

OK >> GO TO 17.

NG (Less than the SP value)>>GO TO 2.

NG (More than the SP value)>>GO TO 3.

## 2.CHECK "B/FUEL SCHDL"

Select "B/FUEL SCHDL" in "SPEC" of "DATA MONITOR" mode, and check that the indication is within the SP value.

### OK or NG

OK >> GO TO 4.

NG (More than the SP value)>>GO TO 19.

## 3.CHECK "B/FUEL SCHDL"

Select "B/FUEL SCHDL" in "SPEC" of "DATA MONITOR" mode, and check that the indication is within the SP value.

### OK or NG

OK >> GO TO 6.

NG (More than the SP value)>>GO TO 6.

NG (Less than the SP value)>>GO TO 25.

## 4.CHECK "A/F ALPHA-B1", "A/F ALPHA-B2"

1. Stop the engine.
2. Disconnect PCV hose, and then plug it.
3. Start engine.
4. Select "A/F ALPHA-B1", "A/F ALPHA-B2" in "SPEC" of "DATA MONITOR" mode, and check that each indication is within the SP value.

### OK or NG

OK >> GO TO 5.

NG >> GO TO 6.

## 5.CHANGE ENGINE OIL

1. Stop the engine.
2. Change engine oil.

### **NOTE:**

This symptom may occur when a large amount of gasoline is mixed with engine oil because of driving conditions (such as when engine oil temperature does not rise enough since a journey distance is too short during winter). The symptom will not be detected after changing engine oil or changing driving conditions.

>> **INSPECTION END**

## 6.CHECK FUEL PRESSURE

Check fuel pressure. (Refer to [EC-951, "Fuel Pressure Check"](#).)

### OK or NG

OK >> GO TO 9.

NG (Fuel pressure is too high)>>Replace "fuel level sensor unit, fuel filter and fuel pump assembly", and then GO TO 8.

NG (Fuel pressure is too low)>>GO TO 7.

## 7.DETECT MALFUNCTIONING PART

1. Check the following.
  - Clogged and bent fuel hose and fuel tube
  - Clogged fuel filter
  - Fuel pump and its circuit (Refer to [EC-869, "Diagnosis Procedure"](#).)
2. If NG, repair or replace the malfunctioning part. (Refer to [EC-951, "Fuel Pressure Check"](#).)  
If OK, replace "fuel level sensor unit, fuel filter and fuel pump assembly".

# TROUBLE DIAGNOSIS - SPECIFICATION VALUE

< COMPONENT DIAGNOSIS >

[VK56DE]

>> GO TO 8.

## 8. CHECK "A/F ALPHA-B1", "A/F ALPHA-B2"

1. Start engine.
2. Select "A/F ALPHA-B1", "A/F ALPHA-B2" in "SPEC" of "DATA MONITOR" mode, and check that each indication is within the SP value.

OK or NG

- OK >> **INSPECTION END**  
NG >> GO TO 9.

## 9. PERFORM POWER BALANCE TEST

1. Perform "POWER BALANCE" in "ACTIVE TEST" mode.
2. Check that each cylinder produces a momentary engine speed drop.

OK or NG

- OK >> GO TO 12.  
NG >> GO TO 10.

## 10. DETECT MALFUNCTIONING PART

1. Check the following below.
  - Ignition coil and its circuit (Refer to [EC-872, "Diagnosis Procedure"](#).)
  - Fuel injector and its circuit (Refer to [EC-866, "Diagnosis Procedure"](#).)
  - Intake air leakage
  - Low compression pressure (Refer to [EM-165, "Compression Pressure"](#).)
2. If NG, repair or replace the malfunctioning part.  
If OK, replace malfunctioning fuel injector. (It may be caused by leakage from fuel injector or clogging.)

>> GO TO 11.

## 11. CHECK "A/F ALPHA-B1", "A/F ALPHA-B2"

1. Start engine.
2. Select "A/F ALPHA-B1", "A/F ALPHA-B2" in "SPEC" of "DATA MONITOR" mode, and check that each indication is within the SP value.

OK or NG

- OK >> **INSPECTION END**  
NG >> GO TO 12.

## 12. CHECK A/F SENSOR 1 FUNCTION

Perform all DTC Confirmation Procedure related with A/F sensor 1.

- For DTC P0130, P0150, refer to [EC-621, "DTC Confirmation Procedure"](#).
- For DTC P0131, P0151, refer to [EC-625, "DTC Confirmation Procedure"](#).
- For DTC P0132, P0152, refer to [EC-629, "DTC Confirmation Procedure"](#).
- For DTC P0133, P0153, refer to [EC-633, "DTC Confirmation Procedure"](#).
- For DTC P2A00, P2A03, refer to [EC-852, "DTC Confirmation Procedure"](#).

OK or NG

- OK >> GO TO 15.  
NG >> GO TO 13.

## 13. CHECK A/F SENSOR 1 CIRCUIT

Perform Diagnostic Procedure according to corresponding DTC.

>> GO TO 14.

## 14. CHECK "A/F ALPHA-B1", "A/F ALPHA-B2"

1. Start engine.
2. Select "A/F ALPHA-B1", "A/F ALPHA-B2" in "SPEC" of "DATA MONITOR" mode, and check that each indication is within the SP value.

OK or NG

# TROUBLE DIAGNOSIS - SPECIFICATION VALUE

[VK56DE]

< COMPONENT DIAGNOSIS >

OK >> **INSPECTION END**  
NG >> GO TO 15.

## 15.DISCONNECT AND RECONNECT ECM HARNESS CONNECTOR

1. Stop the engine.
2. Disconnect ECM harness connector.
3. Check pin terminals and connector for damage, and then reconnect it.

>> GO TO 16.

## 16.CHECK "A/F ALPHA-B1", "A/F ALPHA-B2"

1. Start engine.
2. Select "A/F ALPHA-B1", "A/F ALPHA-B2" in "SPEC" of "DATA MONITOR" mode, and check that each indication is within the SP value.

OK or NG

OK >> **INSPECTION END**  
NG >> Detect malfunctioning part according to [EC-940. "Symptom Matrix Chart"](#).

## 17.CHECK "B/FUEL SCHDL"

Select "B/FUEL SCHDL" in "SPEC" of "DATA MONITOR" mode, and check that the indication is within the SP value.

OK or NG

OK >> **INSPECTION END**  
NG (More than the SP value)>>GO TO 18.  
NG (Less than the SP value)>>GO TO 25.

## 18.DETECT MALFUNCTIONING PART

1. Check for the cause of large engine friction. Refer to the following.
  - Engine oil level is too high
  - Engine oil viscosity
  - Belt tension of power steering, alternator, A/C compressor, etc. is excessive
  - Noise from engine
  - Noise from transmission, etc.
2. Check for the cause of insufficient combustion. Refer to the following.
  - Valve clearance malfunction
  - Intake valve timing control function malfunction
  - Camshaft sprocket installation malfunction, etc.

>> Repair or replace malfunctioning part, and then GO TO 30.

## 19.CHECK INTAKE SYSTEM

Check for the cause of uneven air flow through mass air flow sensor. Refer to the following.

- Crushed air ducts
- Malfunctioning seal of air cleaner element
- Uneven dirt of air cleaner element
- Improper specification of intake air system

OK or NG

OK >> GO TO 21.  
NG >> Repair or replace malfunctioning part, and then GO TO 20.

## 20.CHECK "A/F ALPHA-B1", "A/F ALPHA-B2", AND "B/FUEL SCHDL"

Select "A/F ALPHA-B1", "A/F ALPHA-B2", and "B/FUEL SCHDL" in "SPEC" of "DATA MONITOR" mode, and check that each indication is within the SP value.

OK or NG

OK >> **INSPECTION END**  
NG ("B/FUEL SCHDL" is more, "A/F ALPHA-B1", "A/F ALPHA-B2" are less than the SP value)>>GO TO 21.

## 21.DISCONNECT AND RECONNECT MASS AIR FLOW SENSOR HARNESS CONNECTOR

# TROUBLE DIAGNOSIS - SPECIFICATION VALUE

< COMPONENT DIAGNOSIS >

[VK56DE]

1. Stop the engine.
2. Disconnect mass air flow sensor harness connector.
3. Check pin terminals and connector for damage, and then reconnect it again.

>> GO TO 22.

## 22.CHECK "A/F ALPHA-B1", "A/F ALPHA-B2"

1. Start engine.
2. Select "A/F ALPHA-B1", "A/F ALPHA-B2" in "SPEC" of "DATA MONITOR" mode, and check that each indication is within the SP value.

### OK or NG

- OK >> 1. Detect malfunctioning part of mass air flow sensor circuit and repair it. Refer to [EC-595](#), "[Diagnosis Procedure](#)".
2. GO TO 29.

NG >> GO TO 23.

## 23.CHECK "MAS A/F SE-B1"

Select "MAS A/F SE-B1" in "SPEC" of "DATA MONITOR" mode, and check that the indication is within the SP value.

### OK or NG

OK >> GO TO 24.

NG (More than the SP value)>>Replace mass air flow sensor, and then GO TO 29.

## 24.REPLACE ECM

1. Replace ECM.
2. Perform initialization of NVIS(NATS) system and registration of all NVIS(NATS) ignition key IDs. Refer to [SEC-8](#), "[ECM RE-COMMUNICATING FUNCTION : Special Repair Requirement](#)" (With intelligent key system), [SEC-124](#), "[ECM RE-COMMUNICATING FUNCTION : Special Repair Requirement](#)" (Without intelligent key system).
3. Perform [EC-499](#), "[VIN Registration](#)".
4. Perform [EC-500](#), "[Accelerator Pedal Released Position Learning](#)".
5. Perform [EC-500](#), "[Throttle Valve Closed Position Learning](#)".
6. Perform [EC-500](#), "[Idle Air Volume Learning](#)".

>> GO TO 29.

## 25.CHECK INTAKE SYSTEM

Check for the cause of uneven air flow through mass air flow sensor. Refer to the following.

- Crushed air ducts
- Malfunctioning seal in air cleaner element
- Uneven dirt in air cleaner element
- Improper specification in intake air system

### OK or NG

OK >> GO TO 27.

NG >> Repair or replace malfunctioning part, and then GO TO 26.

## 26.CHECK "B/FUEL SCHDL"

Select "B/FUEL SCHDL" in "SPEC" of "DATA MONITOR" mode, and check that the indication is within the SP value.

### OK or NG

OK >> **INSPECTION END**

NG (Less than the SP value)>>GO TO 27.

## 27.CHECK "MAS A/F SE-B1"

Select "MAS A/F SE-B1" in "SPEC" of "DATA MONITOR" mode, and check that the indication is within the SP value.

### OK or NG

OK >> GO TO 28.

## TROUBLE DIAGNOSIS - SPECIFICATION VALUE

[VK56DE]

< COMPONENT DIAGNOSIS >

NG (Less than the SP value)>>Replace mass air flow sensor, and then GO TO 30.

### 28.CHECK INTAKE SYSTEM

Check for the cause of air leakage after the mass air flow sensor. Refer to the following.

- Disconnection, looseness, and cracks in air duct
- Looseness of oil filler cap
- Disconnection of oil level gauge
- Open stuck, breakage, hose disconnection, or cracks in PCV valve
- Disconnection or cracks in EVAP purge hose, stuck open EVAP canister purge volume control solenoid valve
- Malfunctioning seal in rocker cover gasket
- Disconnection, looseness, or cracks in hoses, such as a vacuum hose, connecting to intake air system parts
- Malfunctioning seal in intake air system, etc.

>> GO TO 30.

### 29.CHECK "A/F ALPHA-B1", "A/F ALPHA-B2", AND "B/FUEL SCHDL"

Select "A/F ALPHA-B1", "A/F ALPHA-B2", and "B/FUEL SCHDL" in "SPEC" of "DATA MONITOR" mode, and check that each indication is within the SP value.

OK or NG

OK >> **INSPECTION END**

NG >> Detect malfunctioning part according to [EC-940. "Symptom Matrix Chart"](#).

### 30.CHECK "B/FUEL SCHDL"

Select "B/FUEL SCHDL" in "SPEC" of "DATA MONITOR" mode, and then check that the indication is within the SP value.

OK or NG

OK >> **INSPECTION END**

NG >> Detect malfunctioning part according to [EC-940. "Symptom Matrix Chart"](#).



# POWER SUPPLY AND GROUND CIRCUIT

< COMPONENT DIAGNOSIS >

[VK56DE]

## POWER SUPPLY AND GROUND CIRCUIT

### Diagnosis Procedure

INFOID:000000003936483

#### 1. INSPECTION START

Start engine.

**Is engine running?**

Yes or No

Yes >> GO TO 7.

No >> GO TO 2.

#### 2. CHECK ECM POWER SUPPLY CIRCUIT-I

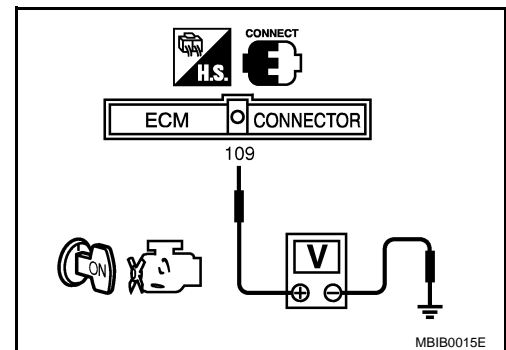
1. Turn ignition switch OFF and then ON.
2. Check voltage between ECM terminal 109 and ground with CONSULT-III or tester.

**Voltage: Battery voltage**

OK or NG

OK >> GO TO 4.

NG >> GO TO 3.



#### 3. DETECT MALFUNCTIONING PART

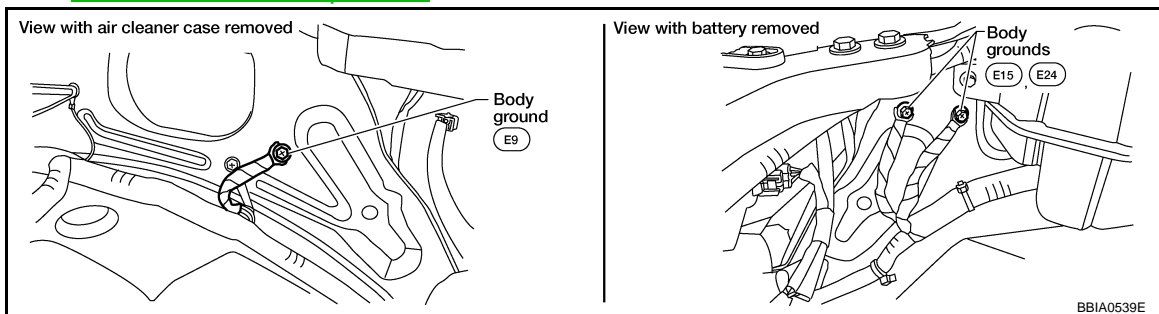
Check the following.

- Harness connectors E152, M31
- Fuse block harness connector M4
- 10A fuse (No. 1)
- Harness for open or short between ECM and fuse block

>> Repair harness or connectors.

#### 4. CHECK GROUND CONNECTIONS

1. Turn ignition switch OFF.
2. Loosen and retighten ground screws on the body.  
Refer to [EC-568. "Ground Inspection"](#).



OK or NG

OK >> GO TO 5.

NG >> Repair or replace ground connections.

#### 5. CHECK ECM GROUND CIRCUIT FOR OPEN AND SHORT-I

1. Disconnect ECM harness connector.
2. Check harness continuity between ECM terminals 115, 116 and ground.  
Refer to Wiring Diagram.

**Continuity should exist.**

# POWER SUPPLY AND GROUND CIRCUIT

[VK56DE]

## < COMPONENT DIAGNOSIS >

3. Also check harness for short to power.

### OK or NG

OK >> GO TO 6.

NG >> Repair open circuit or short to power in harness or connectors.

## 6. CHECK ECM POWER SUPPLY CIRCUIT-II

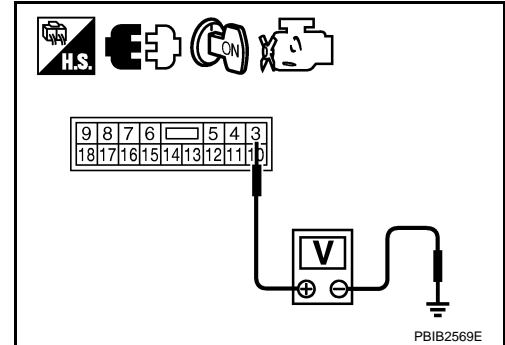
1. Reconnect ECM harness connector.
2. Turn ignition switch ON.
3. Check voltage between IPDM E/R terminal 3 and ground with CONSULT-III or tester.

**Voltage: Battery voltage**

### OK or NG

OK >> Go to [EC-872. "Diagnosis Procedure"](#).

NG >> GO TO 7.



## 7. CHECK ECM POWER SUPPLY CIRCUIT-III

1. Turn ignition switch OFF and wait at least 10 seconds.
2. Turn ignition switch ON and then OFF.
3. Check voltage between ECM terminals 119, 120 and ground with CONSULT-III or tester.

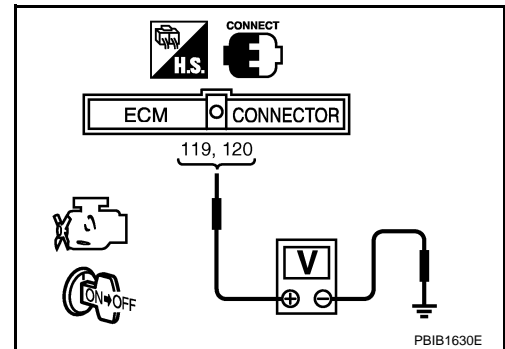
**Voltage: After turning ignition switch OFF, battery voltage will exist for a few seconds, then drop to approximately 0 V.**

### OK or NG

OK >> GO TO 12.

NG (Battery voltage does not exist.)>>GO TO 8.

NG (Battery voltage exists for more than a few seconds.)>>GO TO 10.



## 8. CHECK ECM POWER SUPPLY CIRCUIT-IV

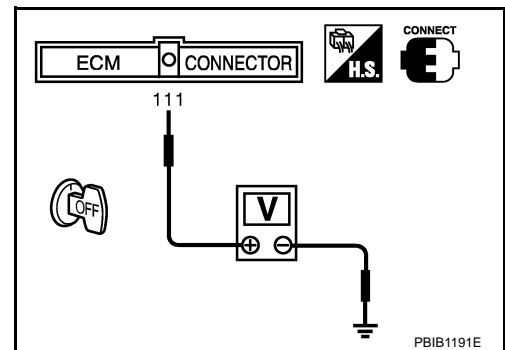
1. Turn ignition switch OFF and wait at least 10 seconds.
2. Check voltage between ECM terminal 111 and ground with CONSULT-III or tester.

**Voltage: Battery voltage**

### OK or NG

OK >> GO TO 9.

NG >> GO TO 10.



## 9. CHECK ECM POWER SUPPLY CIRCUIT-V

1. Disconnect ECM harness connector.
2. Disconnect IPDM E/R harness connector E119.
3. Check harness continuity between ECM terminals 119, 120 and IPDM E/R terminal 4. Refer to Wiring Diagram.

**Continuity should exist.**

4. Also check harness for short to ground and short to power.

### OK or NG

# POWER SUPPLY AND GROUND CIRCUIT

[VK56DE]

## < COMPONENT DIAGNOSIS >

- OK >> GO TO 12.
- NG >> Repair open circuit or short to ground or short to power in harness or connectors.

### 10. CHECK ECM POWER SUPPLY CIRCUIT-VI

1. Disconnect ECM harness connector.
2. Disconnect IPDM E/R harness connector E119.
3. Check harness continuity between ECM terminal 111 and IPDM E/R terminal 7.  
Refer to Wiring Diagram.

**Continuity should exist.**

4. Also check harness for short to ground and short to power.

#### OK or NG

- OK >> GO TO 11.
- NG >> Repair open circuit or short to ground or short to power in harness or connectors.

### 11. CHECK FUSE

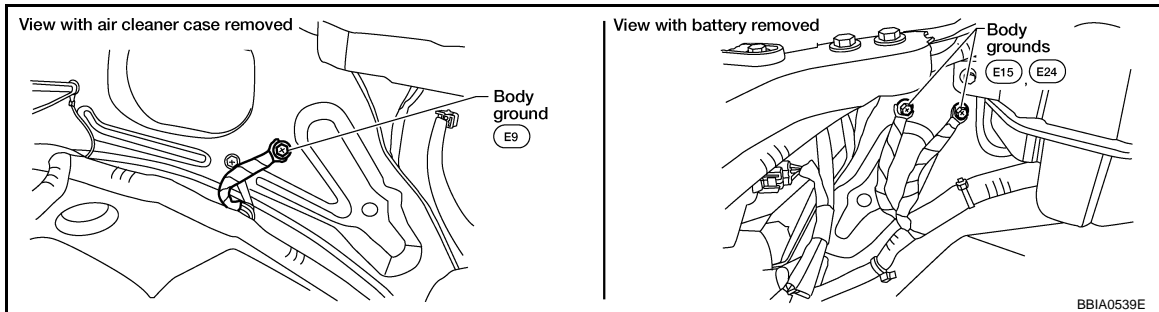
Check 20 A fuse (No. 53).

#### OK or NG

- OK >> GO TO 14.
- NG >> Replace 20 A fuse.

### 12. CHECK GROUND CONNECTIONS

1. Turn ignition switch OFF.
2. Loosen and retighten ground screws on the body.  
Refer to [EC-568, "Ground Inspection"](#).



#### OK or NG

- OK >> GO TO 13.
- NG >> Repair or replace ground connections.

### 13. CHECK ECM GROUND CIRCUIT FOR OPEN AND SHORT-II

1. Disconnect ECM harness connector.
2. Check harness continuity between ECM terminals 115, 116 and ground.  
Refer to Wiring Diagram.

**Continuity should exist.**

3. Also check harness for short to power.

#### OK or NG

- OK >> GO TO 14.
- NG >> Repair open circuit or short to power in harness or connectors.

### 14. CHECK INTERMITTENT INCIDENT

Refer to [GI-49, "Intermittent Incident"](#).

#### OK or NG

- OK >> Replace IPDM E/R.
- NG >> Repair open circuit or short to power in harness or connectors.

# POWER SUPPLY AND GROUND CIRCUIT

< COMPONENT DIAGNOSIS >

[VK56DE]

## Ground Inspection

INFOID:000000003936484

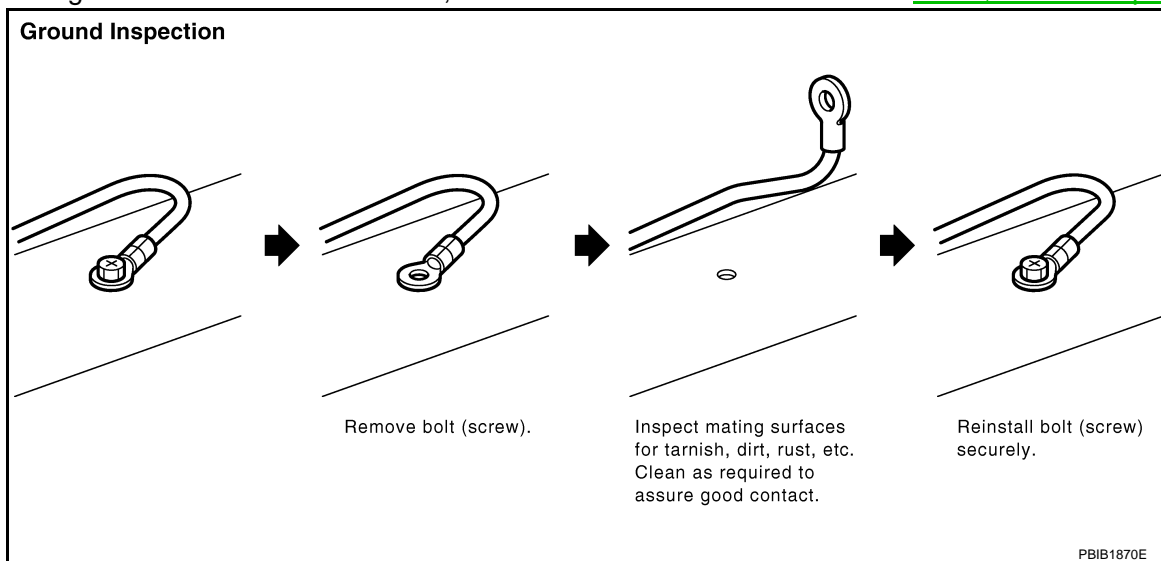
Ground connections are very important to the proper operation of electrical and electronic circuits. Ground connections are often exposed to moisture, dirt and other corrosive elements. The corrosion (rust) can become an unwanted resistance. This unwanted resistance can change the way a circuit works.

Electronically controlled circuits are very sensitive to proper grounding. A loose or corroded ground can drastically affect an electronically controlled circuit. A poor or corroded ground can easily affect the circuit. Even when the ground connection looks clean, there can be a thin film of rust on the surface.

When inspecting a ground connection follow these rules:

- Remove the ground bolt or screw.
- Inspect all mating surfaces for tarnish, dirt, rust, etc.
- Clean as required to assure good contact.
- Reinstall bolt or screw securely.
- Inspect for “add-on” accessories which may be interfering with the ground circuit.
- If several wires are crimped into one ground eyelet terminal, check for proper crimps. Check that all of the wires are clean, securely fastened and providing a good ground path. If multiple wires are cased in one eyelet, check that no ground wires have excess wire insulation.

For detailed ground distribution information, refer to “GROUND INSPECTION” in [GI-52, "Circuit Inspection"](#).



# U0101 CAN COMM CIRCUIT

< COMPONENT DIAGNOSIS >

[VK56DE]

## U0101 CAN COMM CIRCUIT

### Description

INFOID:000000003936485

CAN (Controller Area Network) is a serial communication line for real time application. It is an on-vehicle multiplex communication line with high data communication speed and excellent error detection ability. Many electronic control units are equipped onto a vehicle, and each control unit shares information and links with other control units during operation (not independent). In CAN communication, control units are connected with 2 communication lines (CAN H line, CAN L line) allowing a high rate of information transmission with less wiring. Each control unit transmits/receives data but selectively reads required data only.

### On Board Diagnosis Logic

INFOID:000000003936486

**This self-diagnosis has the one trip detection logic.**

DTC No.	Trouble diagnosis name	DTC detecting condition	Possible cause
U0101 0101	Lost communication with TCM	When ECM is not transmitting or receiving CAN communication signal of OBD (emission-related diagnosis) with TCM for 2 seconds or more.	<ul style="list-style-type: none"><li>CAN communication line between TCM and ECM (CAN communication line is open or shorted)</li></ul>

### DTC Confirmation Procedure

INFOID:000000003936487

1. Turn ignition switch ON and wait at least 3 seconds.
2. Check DTC.
3. If DTC is detected, go to [EC-569. "Diagnosis Procedure"](#).

### Diagnosis Procedure

INFOID:000000003936488

Go to [LAN-58. "CAN Communication Signal Chart"](#).

# U1001 CAN COMM CIRCUIT

< COMPONENT DIAGNOSIS >

[VK56DE]

## U1001 CAN COMM CIRCUIT

### Description

INFOID:00000000433332

CAN (Controller Area Network) is a serial communication line for real time application. It is an on-vehicle multiplex communication line with high data communication speed and excellent error detection ability. Many electronic control units are equipped onto a vehicle, and each control unit shares information and links with other control units during operation (not independent). In CAN communication, control units are connected with 2 communication lines (CAN H line, CAN L line) allowing a high rate of information transmission with less wiring. Each control unit transmits/receives data but selectively reads required data only.

### On Board Diagnosis Logic

INFOID:00000000433329

**MIL will not illuminate for this self-diagnosis.**

DTC No.	Trouble diagnosis name	DTC detecting condition	Possible cause
U1001 1001	CAN communication line	When ECM is not transmitting or receiving CAN communication signal other than OBD (emission-related diagnosis) for 2 seconds or more.	<ul style="list-style-type: none"><li>• Harness or connectors (CAN communication line is open or shorted)</li></ul>

### DTC Confirmation Procedure

INFOID:00000000433330

1. Turn ignition switch ON and wait at least 3 seconds.
2. Check 1st trip DTC.
3. If 1st trip DTC is detected, go to [EC-570, "Diagnosis Procedure"](#).

### Diagnosis Procedure

INFOID:00000000433333

Go to [LAN-58, "CAN Communication Signal Chart"](#).

# P0011, P0021 IVT CONTROL

< COMPONENT DIAGNOSIS >

[VK56DE]

## P0011, P0021 IVT CONTROL

### On Board Diagnosis Logic

INFOID:000000003936493

**NOTE:**

- If DTC P0011 or P0021 is displayed with DTC P0075, P0081, first perform the trouble diagnosis for DTC P0075, P0081. Refer to [EC-585, "DTC Confirmation Procedure"](#).
- If DTC P0011 or P0021 is displayed with DTC P1140 or P1145, first perform the trouble diagnosis for DTC P1140, P1145. Refer to [EC-780, "DTC Confirmation Procedure"](#).

DTC No.	Trouble diagnosis name	DTC detecting condition		Possible cause
P0011 0011 (Bank 1)	Intake valve timing control performance	A	The alignment of the intake valve timing control has been misregistered.	<ul style="list-style-type: none"> <li>• Harness or connectors (Intake valve timing control solenoid valve circuit is open or shorted.)</li> <li>• Harness or connectors (Intake valve timing control position sensor circuit is open or shorted.)</li> <li>• Intake valve timing control solenoid valve</li> <li>• Intake valve timing control position sensor</li> <li>• Crankshaft position sensor (POS)</li> <li>• Camshaft position sensor (PHASE)</li> <li>• Accumulation of debris to the signal pick-up portion of the camshaft sprocket</li> <li>• Timing chain installation</li> <li>• Foreign matter caught in the oil groove for intake valve timing control</li> </ul>
P0021 0021 (Bank 2)		B	There is a gap between angle of target and phase-control angle degree.	

### FAIL-SAFE MODE

When the malfunction is detected, the ECM enters fail-safe mode.

Detected items	Engine operating condition in fail-safe mode
Intake valve timing control	The signal is not energized to the solenoid valve and the valve control does not function

### DTC Confirmation Procedure

INFOID:000000003936494

**CAUTION:**

**Always drive at a safe speed.**

**NOTE:**

If DTC Confirmation Procedure has been previously conducted, always perform the following procedure before conducting the next step.

1. Turn ignition switch OFF and wait at least 10 seconds.
2. Turn ignition switch ON.
3. Turn ignition switch OFF and wait at least 10 seconds.

**TESTING CONDITION:**

**Before performing the following procedure, confirm that battery voltage is between 10 V and 16 V at idle.**

#### PROCEDURE FOR MALFUNCTION A

Ⓟ With CONSULT-III

1. Turn ignition switch ON.
2. Select "DATA MONITOR" mode with CONSULT-III.
3. Maintain the following conditions for at least 10 consecutive seconds.

ENG SPEED	More than 2,000 rpm (A constant rotation is maintained.)
COOLAN TEMP/S	More than 70°C (158°F)
Selector lever	1st or 2nd position
Driving location uphill	Driving vehicle uphill (Increased engine load will help maintain the driving conditions required for this test.)

< COMPONENT DIAGNOSIS >

4. Maintain the following conditions for at least 20 consecutive seconds.

ENG SPEED	Idle
COOLAN TEMP/S	More than 70°C (158°F)
Selector lever	P or N position

5. Check 1st trip DTC.

6. If 1st trip DTC is detected, go to [EC-572, "Diagnosis Procedure"](#).

 With GST

Follow the procedure "With CONSULT-III" above.

PROCEDURE FOR MALFUNCTION B

 With CONSULT-III

1. Turn ignition switch ON.
2. Select "DATA MONITOR" mode with CONSULT-III.
3. Maintain the following conditions for at least 10 consecutive seconds.

ENG SPEED	1,700 - 3,175 rpm (A constant rotation is maintained.)
COOLAN TEMP/S	70 - 105°C (158 - 221°F)
Selector lever	1st or 2nd position
Driving location uphill	Driving vehicle uphill (Increased engine load will help maintain the driving conditions required for this test.)

4. Check 1st trip DTC.

5. If 1st trip DTC is detected, go to [EC-572, "Diagnosis Procedure"](#).

 With GST

Follow the procedure "With CONSULT-III" above.

Diagnosis Procedure

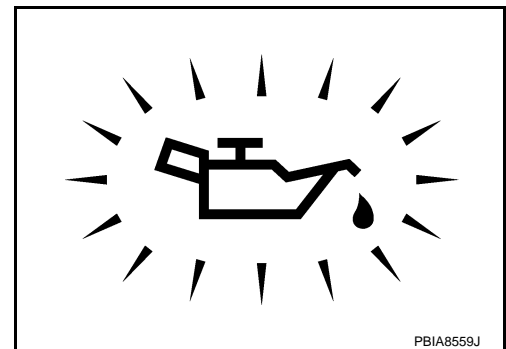
INFOID:000000003936495

1. CHECK OIL PRESSURE WARNING LAMP

1. Start engine.
2. Check oil pressure warning lamp and confirm it is not illuminated.

OK or NG

- OK >> GO TO 2.
- NG >> Go to [LU-24, "Inspection"](#).



PBIA8559J

2. CHECK GROUND CONNECTIONS

1. Turn ignition switch OFF.
2. Loosen and retighten ground screws on the body.

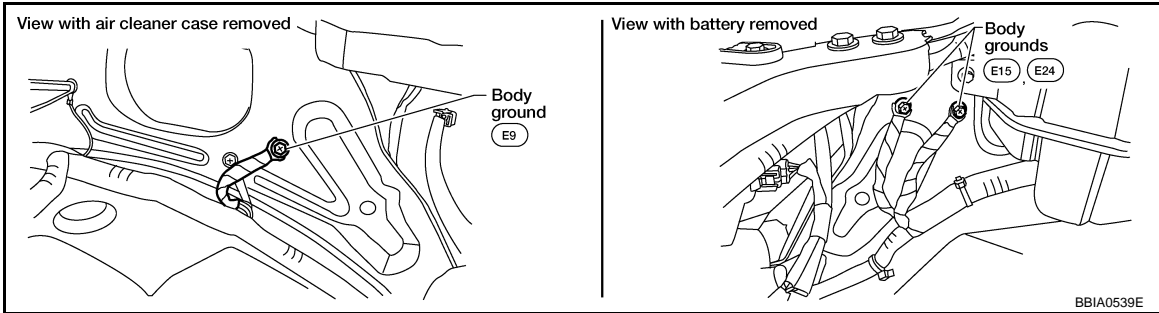


# P0011, P0021 IVT CONTROL

< COMPONENT DIAGNOSIS >

[VK56DE]

Refer to [EC-568, "Ground Inspection"](#).



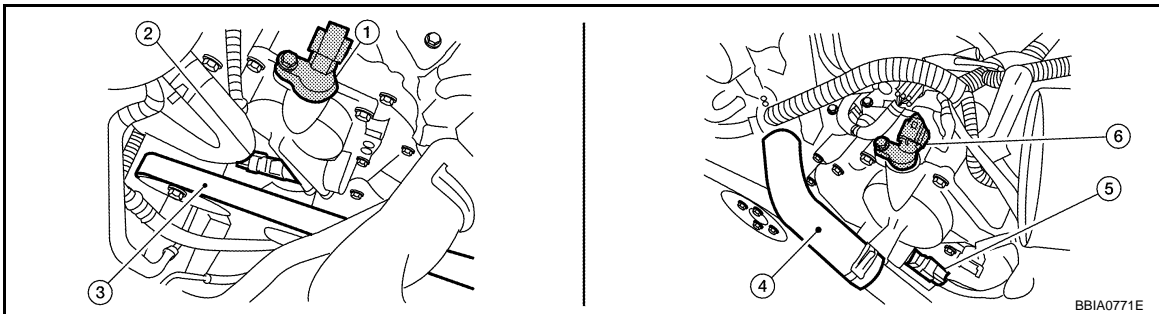
**OK or NG**

OK >> GO TO 3.

NG >> Repair or replace ground connections.

## 3. CHECK INTAKE VALVE TIMING CONTROL POSITION SENSOR POWER SUPPLY CIRCUIT

1. Disconnect intake valve timing control position sensor harness connector.



- |   |  |   |
|---|--|---|
| 1. Intake valve timing control position sensor (bank 2) | 2. Intake valve timing control solenoid valve (bank 2) | 3. Drive belt   |
| 4. Radiator hose  | 5. Intake valve timing control solenoid valve (bank 1) | 6. Intake valve timing control position sensor (bank 1) |

2. Turn ignition switch ON.

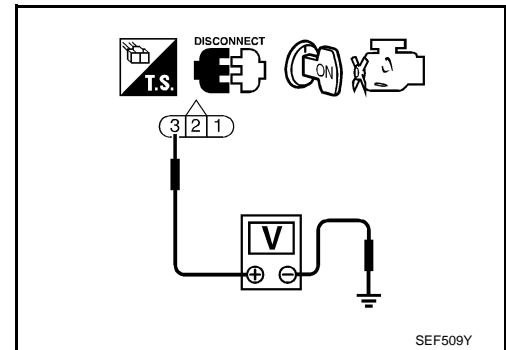
3. Check voltage between intake valve timing control position sensor terminal 3 and ground with CONSULT-III or tester.

**Voltage: Battery voltage**

**OK or NG**

OK >> GO TO 5.

NG >> GO TO 4.



## 4. DETECT MALFUNCTIONING PART

Check the following.

- Harness connectors E2, F32
- IPDM E/R harness connector E119
- Harness for open or short between intake valve timing control position sensor and ECM
- Harness for open or short between intake valve timing control position sensor and IPDM E/R

>> Repair open circuit or short to ground or short to power in harness or connectors.

## 5. CHECK INTAKE VALVE TIMING CONTROL POSITION SENSOR GROUND CIRCUIT FOR OPEN AND SHORT

1. Turn ignition switch OFF.

## P0011, P0021 IVT CONTROL

[VK56DE]

### < COMPONENT DIAGNOSIS >

2. Check harness continuity between intake valve timing control position sensor terminal 1 and ground.  
Refer to Wiring Diagram.

**Continuity should exist.**

3. Also check harness for short to power.

#### OK or NG

- OK >> GO TO 7.
- NG >> GO TO 6.

### 6. DETECT MALFUNCTIONING PART

Check the following.

- Harness connectors E2, F32
- Harness for open or short between intake valve timing control position sensor and ground

>> Repair open circuit or short to power in harness or connectors.

### 7. CHECK INTAKE VALVE TIMING CONTROL POSITION SENSOR INPUT SIGNAL CIRCUIT FOR OPEN AND SHORT

1. Disconnect ECM harness connector.
2. Check harness continuity between the following;  
ECM terminal 72 and intake valve timing control position sensor (bank 1) terminal 2 or  
ECM terminal 53 and intake valve timing control position sensor (bank 2) terminal 2.  
Refer to Wiring Diagram.

**Continuity should exist.**

3. Also check harness for short to ground and short to power.

#### OK or NG

- OK >> GO TO 8.
- NG >> Repair open circuit or short to ground or short to power in harness or connectors.

### 8. CHECK INTAKE VALVE TIMING CONTROL POSITION SENSOR

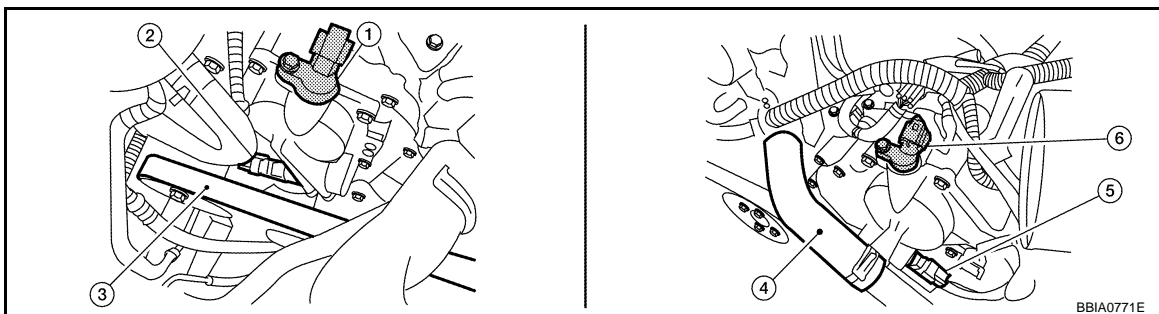
Refer to [EC-576. "Component Inspection"](#).

#### OK or NG

- OK >> GO TO 9.
- NG >> Replace malfunctioning intake valve timing control position sensor.

### 9. CHECK INTAKE VALVE TIMING CONTROL SOLENOID VALVE POWER SUPPLY CIRCUIT

1. Reconnect ECM harness connector.
2. Disconnect intake valve timing control solenoid valve harness connector.



- |   |  |   |
|---|--|---|
| 1. Intake valve timing control position sensor (bank 2) | 2. Intake valve timing control solenoid valve (bank 2) | 3. Drive belt   |
| 4. Radiator hose  | 5. Intake valve timing control solenoid valve (bank 1) | 6. Intake valve timing control position sensor (bank 1) |

3. Turn ignition switch ON.

# P0011, P0021 IVT CONTROL

[VK56DE]

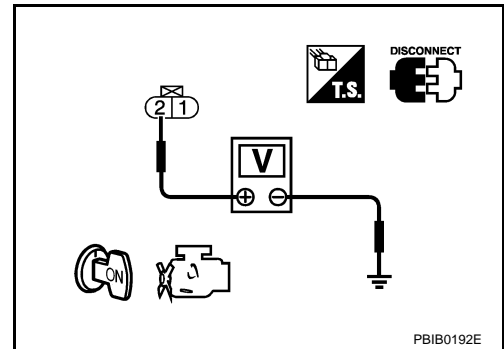
## < COMPONENT DIAGNOSIS >

4. Check voltage between intake valve timing control solenoid valve terminal 2 and ground with CONSULT-III or tester.

**Voltage: Battery voltage**

### OK or NG

- OK >> GO TO 11.
- NG >> GO TO 10.



## 10. DETECT MALFUNCTIONING PART

Check the following.

- Harness connectors E2, F32
- IPDM E/R harness connector E119
- Harness for open or short between intake valve timing control solenoid valve and IPDM E/R.

>> Repair open circuit or short to ground or short to power in harness or connectors.

## 11. CHECK INTAKE VALVE TIMING CONTROL SOLENOID VALVE OUTPUT SIGNAL CIRCUIT FOR OPEN AND SHORT

1. Turn ignition switch OFF.
2. Disconnect ECM harness connector.
3. Check harness continuity between the following;  
ECM terminal 10 and intake valve timing control solenoid valve (bank 1) terminal 1 or  
ECM terminal 11 and intake valve timing control solenoid valve (bank 2) terminal 1.  
Refer to Wiring Diagram.

**Continuity should exist.**

4. Also check harness for short to ground and short to power.

### OK or NG

- OK >> GO TO 12.
- NG >> Repair open circuit or short to ground or short to power in harness or connectors.

## 12. CHECK INTAKE VALVE TIMING CONTROL SOLENOID VALVE

Refer to [EC-576, "Component Inspection"](#).

### OK or NG

- OK >> GO TO 13.
- NG >> Replace malfunctioning intake valve timing control solenoid valve.

## 13. CHECK CRANKSHAFT POSITION SENSOR (POS)

Refer to [EC-689, "Component Inspection"](#).

### OK or NG

- OK >> GO TO 14.
- NG >> Replace crankshaft position sensor (POS).

## 14. CHECK CAMSHAFT POSITION SENSOR (PHASE)

Refer to [EC-693, "Component Inspection"](#).

### OK or NG

- OK >> GO TO 15.
- NG >> Replace malfunctioning camshaft position sensor (PHASE).

## 15. CHECK CAMSHAFT SPROCKET

Check accumulation of debris or the signal pick-up portion of the camshaft sprocket. Refer to [EM-195, "Removal and Installation"](#).

### OK or NG

# P0011, P0021 IVT CONTROL

[VK56DE]

## < COMPONENT DIAGNOSIS >

OK >> GO TO 16.

NG >> Remove debris and clean the signal pick-up cutout of camshaft sprocket.

### 16. CHECK TIMING CHAIN INSTALLATION

Check service records for any recent repairs that may cause timing chain misaligned.

**Are there any service records that may cause timing chain misaligned?**

Yes or No

Yes >> Check timing chain installation. Refer to [EM-187, "Removal and Installation"](#).

No >> GO TO 17.

### 17. CHECK LUBRICATION CIRCUIT

Refer to [LU-22, "Lubrication Circuit"](#).

OK or NG

OK >> GO TO 18.

NG >> Clean lubrication line.

### 18. CHECK INTERMITTENT INCIDENT

Refer to [GI-49, "Intermittent Incident"](#).

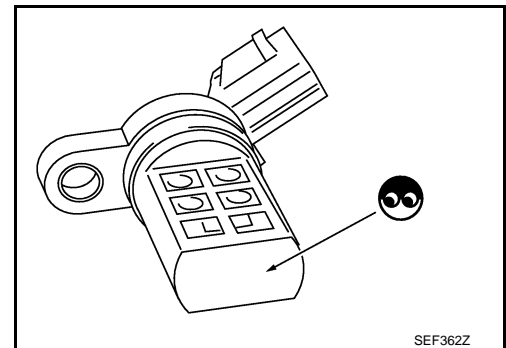
>> **INSPECTION END**

## Component Inspection

INFOID:000000003936496

### INTAKE VALVE TIMING CONTROL POSITION SENSOR

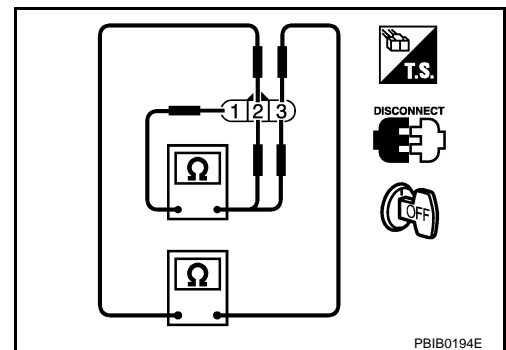
1. Disconnect intake valve timing control position sensor harness connector.
2. Loosen the fixing bolt of the sensor.
3. Remove the sensor.
4. Visually check the sensor for chipping.



5. Check resistance as shown below.

Terminal No. (Polarity)	Resistance [at 25°C (77°F)]
3 (+) - 1 (-)	Except 0 or ∞ Ω
2 (+) - 1 (-)	
3 (+) - 2 (-)	

6. If NG, replace intake valve timing control position sensor.



### INTAKE VALVE TIMING CONTROL SOLENOID VALVE

1. Disconnect intake valve timing control solenoid valve harness connector.

# P0011, P0021 IVT CONTROL

[VK56DE]

## < COMPONENT DIAGNOSIS >

- Check resistance between intake valve timing control solenoid valve terminals as per the following.

Terminals	Resistance [at 20°C (68°F)]
1 and 2	7.1 - 7.7 Ω
1 or 2 and ground	∞ Ω (Continuity should not exist)

If NG, replace intake valve timing control solenoid valve.  
If OK, go to next step.

- Remove intake valve timing control solenoid valve.
- Provide 12 V DC between intake valve timing control solenoid valve terminals and then interrupt it. Check that the plunger moves as shown in the figure.

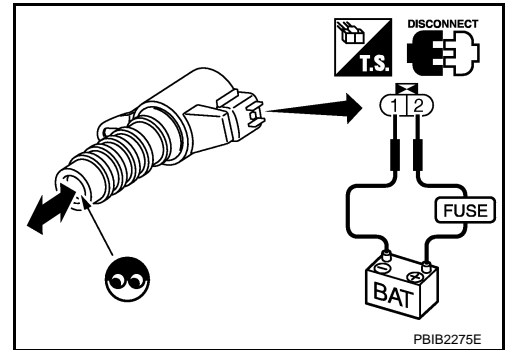
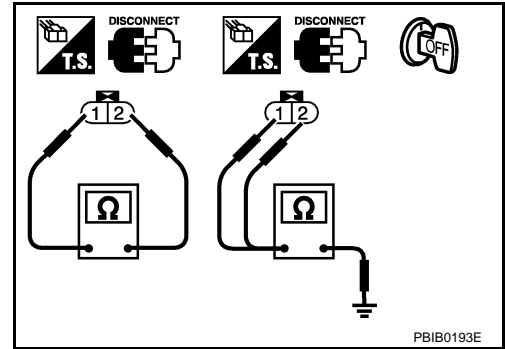
**CAUTION:**

**Never apply 12 V DC continuously for 5 seconds or more. Doing so may result in damage to the coil in intake valve timing control solenoid valve.**

If NG, replace intake valve timing control solenoid valve.

**NOTE:**

**Always replace O-ring when intake valve timing control solenoid valve is removed.**



A  
EC  
C  
D  
E  
F  
G  
H  
I  
J  
K  
L  
M  
N  
O  
P

# P0031, P0032, P0051, P0052 A/F SENSOR 1 HEATER

< COMPONENT DIAGNOSIS >

[VK56DE]

## P0031, P0032, P0051, P0052 A/F SENSOR 1 HEATER

### Description

INFOID:000000003936497

### SYSTEM DESCRIPTION

Sensor	Input signal to ECM	ECM function	Actuator
Camshaft position sensor (PHASE) Crankshaft position sensor (POS)	Engine speed	Air fuel ratio (A/F) sensor 1 heater control	Air fuel ratio (A/F) sensor 1 heater
Mass air flow sensor	Amount of intake air		

The ECM performs ON/OFF duty control of the A/F sensor 1 heater corresponding to the engine operating condition to keep the temperature of A/F sensor 1 element at the specified range.

### On Board Diagnosis Logic

INFOID:000000003936498

DTC No.	Trouble diagnosis name	DTC detecting condition	Possible cause
P0031 0031 (Bank 1)	Air fuel ratio (A/F) sensor 1 heater control circuit low	The current amperage in the air fuel ratio (A/F) sensor 1 heater circuit is out of the normal range. (An excessively low voltage signal is sent to ECM through the A/F sensor 1 heater.)	<ul style="list-style-type: none"> <li>• Harness or connectors (The A/F sensor 1 heater circuit is open or shorted.)</li> <li>• A/F sensor 1 heater</li> </ul>
P0051 0051 (Bank 2)			
P0032 0032 (Bank 1)	Air fuel ratio (A/F) sensor 1 heater control circuit high	The current amperage in the air fuel ratio (A/F) sensor 1 heater circuit is out of the normal range. (An excessively high voltage signal is sent to ECM through the A/F sensor 1 heater.)	<ul style="list-style-type: none"> <li>• Harness or connectors (The A/F sensor 1 heater circuit is shorted.)</li> <li>• A/F sensor 1 heater</li> </ul>
P0052 0052 (Bank 2)			

### DTC Confirmation Procedure

INFOID:000000003936499

#### NOTE:

If DTC Confirmation Procedure has been previously conducted, always perform the following procedure before conducting the next step.

1. Turn ignition switch OFF and wait at least 10 seconds.
2. Turn ignition switch ON.
3. Turn ignition switch OFF and wait at least 10 seconds.

#### TESTING CONDITION:

**Before performing the following procedure, confirm that battery voltage is between 10.5 V and 16 V at idle.**

1. Start engine and let it idle for at least 10 seconds.
2. Check 1st trip DTC.
3. If 1st trip DTC is detected, go to [EC-578, "Diagnosis Procedure"](#)

### Diagnosis Procedure

INFOID:000000003936500

#### 1. CHECK GROUND CONNECTIONS

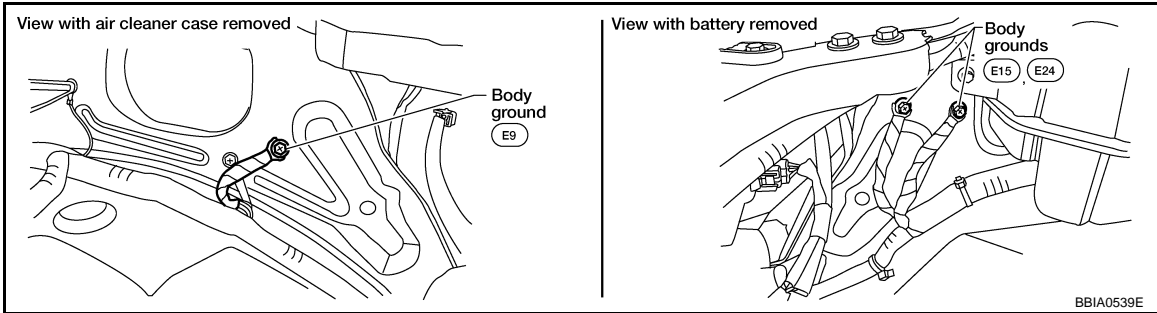
1. Turn ignition switch OFF.
2. Loosen and retighten ground screws on the body.

# P0031, P0032, P0051, P0052 A/F SENSOR 1 HEATER

< COMPONENT DIAGNOSIS >

[VK56DE]

Refer to [EC-568](#), "Ground Inspection".



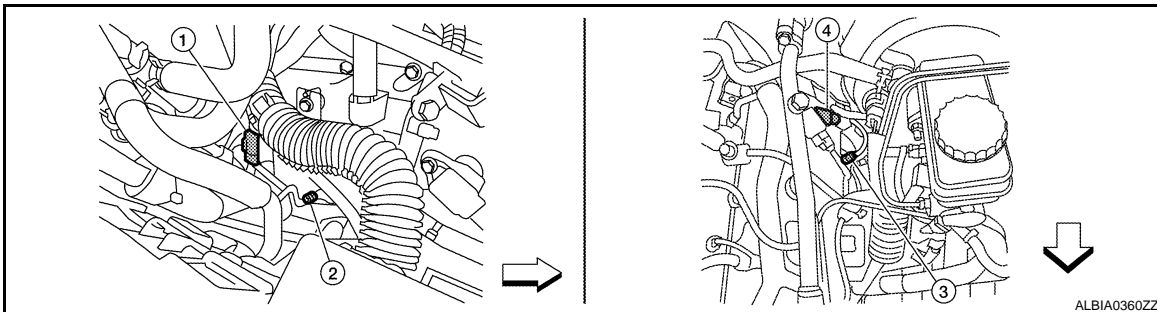
**OK or NG**

OK >> GO TO 2.

NG >> Repair or replace ground connections.

## 2. CHECK AIR FUEL RATIO (A/F) SENSOR 1 POWER SUPPLY CIRCUIT

1. Disconnect air fuel ratio (A/F) sensor 1 harness connector.



1. A/F sensor 1 (bank 2) harness connector
2. A/F sensor 1 (bank 2)
3. A/F sensor 1 (bank 1)
4. A/F sensor 1 (bank 1) harness connector

↶ : Vehicle front

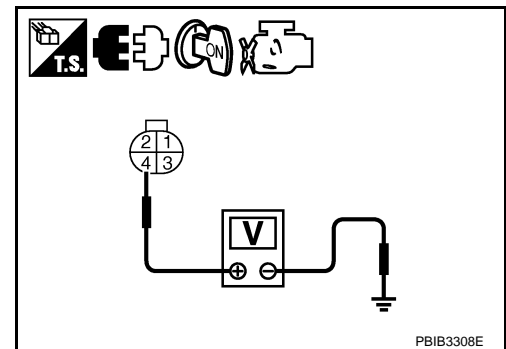
2. Turn ignition switch ON.
3. Check voltage between A/F sensor 1 terminal 4 and ground with CONSULT-III or tester.

**Voltage: Battery voltage**

**OK or NG**

OK >> GO TO 4.

NG >> GO TO 3.



## 3. DETECT MALFUNCTIONING PART

Check the following.

- Harness connectors E2, F32
- IPDM E/R harness connector E119
- 15 A fuse (No. 54)
- Harness for open or short between A/F sensor 1 and IPDM E/R

>> Repair or replace harness or connectors.

## 4. CHECK A/F SENSOR 1 HEATER OUTPUT SIGNAL CIRCUIT

1. Turn ignition switch OFF.
2. Disconnect ECM harness connector.

# P0031, P0032, P0051, P0052 A/F SENSOR 1 HEATER

[VK56DE]

## < COMPONENT DIAGNOSIS >

3. Check harness continuity between ECM terminal 2 and A/F sensor 1 (bank 1) terminal 3, or ECM terminals 24, 43 and A/F sensor 1 (bank 2) terminal 3.  
Refer to Wiring Diagram.

**Continuity should exist.**

4. Also check harness for short to ground and short to power.

### OK or NG

OK >> GO TO 5.

NG >> Repair open circuit or short to ground or short to power in harness or connectors.

## 5. CHECK A/F SENSOR 1 HEATER

Refer to [EC-580, "Component Inspection"](#).

### OK or NG

OK >> GO TO 6.

NG >> Replace malfunctioning A/F sensor 1.

## 6. CHECK INTERMITTENT INCIDENT

Perform [GI-49, "Intermittent Incident"](#).

>> **INSPECTION END**

## Component Inspection

INFOID:000000003936501

### AIR FUEL RATIO (A/F) SENSOR 1 HEATER

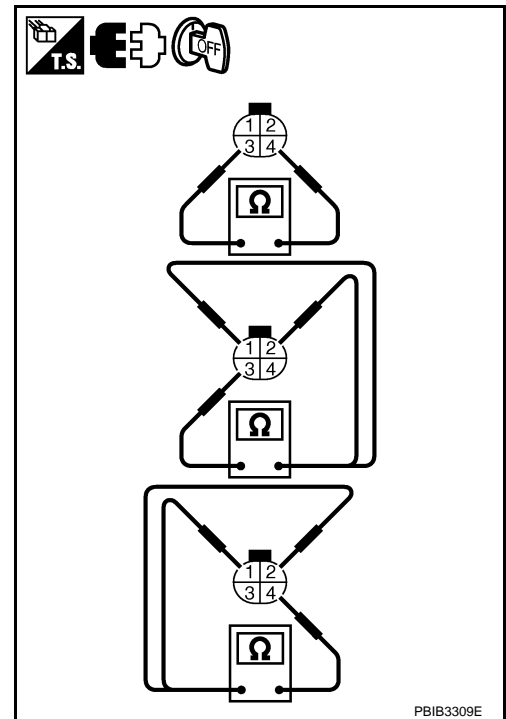
1. Check resistance between A/F sensor 1 terminals as per the following.

Terminal No.	Resistance [at 25°C (77°F)]
3 and 4	1.98 - 2.66 Ω
3 and 1, 2	∞ Ω (Continuity should not exist)
4 and 1, 2	

2. If NG, replace A/F sensor 1.

### CAUTION:

- Discard any A/F sensor which has been dropped from a height of more than 0.5 m (19.7 in) onto a hard surface such as a concrete floor; use a new one.
- Before installing new A/F sensor, clean exhaust system threads using Oxygen Sensor Thread Cleaner [Commercial service tool (J-43897-18 or J-43897-12)] and approved Anti-seize Lubricant (Commercial service tool).





# P0037, P0038, P0057, P0058 HO2S2 HEATER

< COMPONENT DIAGNOSIS >

[VK56DE]

## P0037, P0038, P0057, P0058 HO2S2 HEATER

### Description

INFOID:000000003936502

### SYSTEM DESCRIPTION

Sensor	Input signal to ECM	ECM function	Actuator
Camshaft position sensor (PHASE) Crankshaft position sensor (POS)	Engine speed	Heated oxygen sensor 2 heater control	Heated oxygen sensor 2 heater
Engine coolant temperature sensor	Engine coolant temperature		
Mass air flow sensor	Amount of intake air		

The ECM performs ON/OFF control of the heated oxygen sensor 2 heater corresponding to the engine speed, amount of intake air and engine coolant temperature.

### OPERATION

Engine speed	Heated oxygen sensor 2 heater
Above 3,600 rpm	OFF
Below 3,600 rpm after the following conditions are met. <ul style="list-style-type: none"> <li>• Engine: After warming up</li> <li>• Keeping the engine speed between 3,500 and 4,000 rpm for 1 minute and at idle for 1 minute under no load</li> </ul>	ON

### On Board Diagnosis Logic

INFOID:000000003936503

DTC No.	Trouble diagnosis name	DTC detecting condition	Possible cause
P0037 0037 (Bank 1)	Heated oxygen sensor 2 heater control circuit low	The current amperage in the heated oxygen sensor 2 heater circuit is out of the normal range. (An excessively low voltage signal is sent to ECM through the heated oxygen sensor 2 heater.)	<ul style="list-style-type: none"> <li>• Harness or connectors (The heated oxygen sensor 2 heater circuit is open or shorted.)</li> <li>• Heated oxygen sensor 2 heater</li> </ul>
P0057 0057 (Bank 2)			
P0038 0038 (Bank 1)	Heated oxygen sensor 2 heater control circuit high	The current amperage in the heated oxygen sensor 2 heater circuit is out of the normal range. (An excessively high voltage signal is sent to ECM through the heated oxygen sensor 2 heater.)	<ul style="list-style-type: none"> <li>• Harness or connectors (The heated oxygen sensor 2 heater circuit is shorted.)</li> <li>• Heated oxygen sensor 2 heater</li> </ul>
P0058 0058 (Bank 2)			

### DTC Confirmation Procedure

INFOID:000000003936504

#### NOTE:

If DTC Confirmation Procedure has been previously conducted, always perform the following procedure before conducting the next step.

1. Turn ignition switch OFF and wait at least 10 seconds.
2. Turn ignition switch ON.
3. Turn ignition switch OFF and wait at least 10 seconds.

#### TESTING CONDITION:

**Before performing the following procedure, confirm that battery voltage is between 10.5 V and 16 V at idle.**

1. Start engine and warm it up to the normal operating temperature.
2. Turn ignition switch OFF and wait at least 10 seconds.
3. Turn ignition switch ON.
4. Turn ignition switch OFF and wait at least 10 seconds.
5. Start the engine and keep the engine speed between 3,500 rpm and 4,000 rpm for at least 1 minute under no load.

< COMPONENT DIAGNOSIS >

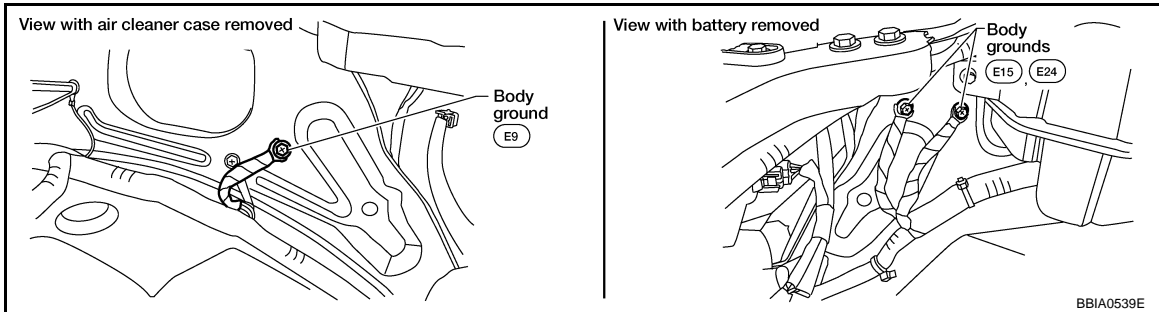
6. Let engine idle for 1 minute.
7. Check 1st trip DTC.
8. If 1st trip DTC is detected, go to [EC-582](#). "Diagnosis Procedure".

**Diagnosis Procedure**

INFOID:000000003936505

**1. CHECK GROUND CONNECTIONS**

1. Turn ignition switch OFF.
2. Loosen and retighten ground screws on the body.  
Refer to [EC-568](#). "Ground Inspection".

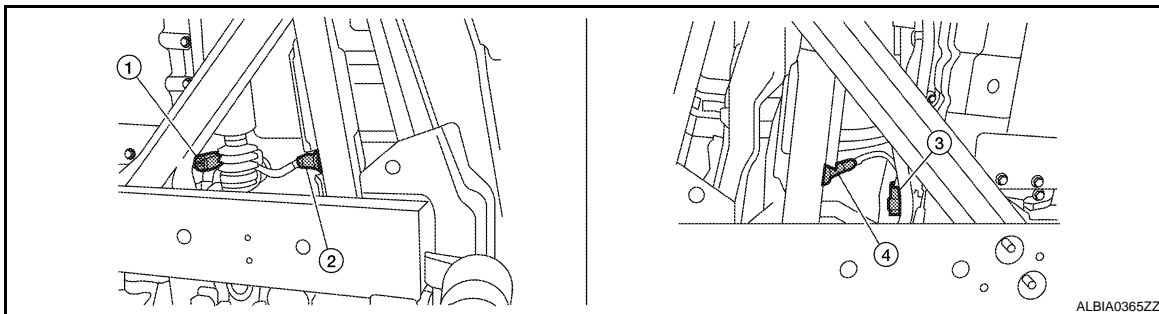


**OK or NG**

- OK >> GO TO 2.
- NG >> Repair or replace ground connections.

**2. CHECK HEATED OXYGEN SENSOR 2 HEATER POWER SUPPLY CIRCUIT**

1. Disconnect heated oxygen sensor 2 (HO2S2) harness connector.



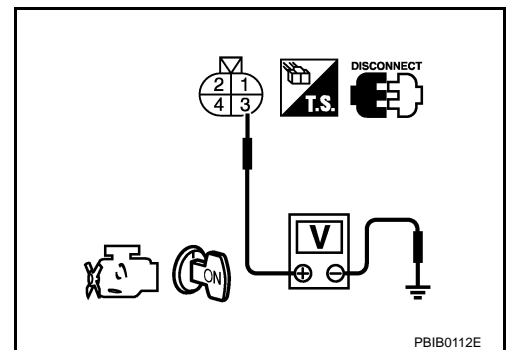
1. Heated oxygen sensor 2 (bank 1)
2. Heated oxygen sensor 2 (bank 2)
3. Heated oxygen sensor (bank 2) harness connector
4. Heated oxygen sensor 2 (bank 2)

2. Turn ignition switch ON.
3. Check voltage between HO2S2 terminal 3 and ground with CONSULT-III or tester.

**Voltage: Battery voltage**

**OK or NG**

- OK >> GO TO 4.
- NG >> GO TO 3.



**3. DETECT MALFUNCTIONING PART**

Check the following.

- Harness connectors E2, F32
- IPDM E/R harness connector E119

# P0037, P0038, P0057, P0058 HO2S2 HEATER

[VK56DE]

## < COMPONENT DIAGNOSIS >

- 15 A fuse (No. 54)
- Harness for open or short between heated oxygen sensor 2 and IPDM E/R

>> Repair harness or connectors.

### 4. CHECK HO2S2 HEATER OUTPUT SIGNAL CIRCUIT FOR OPEN AND SHORT

1. Turn ignition switch OFF.
2. Disconnect ECM harness connector.
3. Check harness continuity between ECM terminal and HO2S2 terminal as per the following. Refer to Wiring Diagram.

DTC	Terminals		Bank
	ECM	Sensor	
P0037, P0038	6	2	1
P0057, P0058	25	2	2

**Continuity should exist.**

4. Also check harness for short to ground and short to power.

#### OK or NG

OK >> GO TO 5.

NG >> Repair open circuit or short to ground or short to power in harness or connectors.

### 5. CHECK HEATED OXYGEN SENSOR 2 HEATER

Refer to [EC-583. "Component Inspection"](#).

#### OK or NG

OK >> GO TO 6.

NG >> Replace malfunctioning heated oxygen sensor 2.

### 6. CHECK INTERMITTENT INCIDENT

Refer to [GI-49. "Intermittent Incident"](#).

>> **INSPECTION END**

## Component Inspection

INFOID:000000003936506

## HEATED OXYGEN SENSOR 2 HEATER

# P0037, P0038, P0057, P0058 HO2S2 HEATER

[VK56DE]

## < COMPONENT DIAGNOSIS >

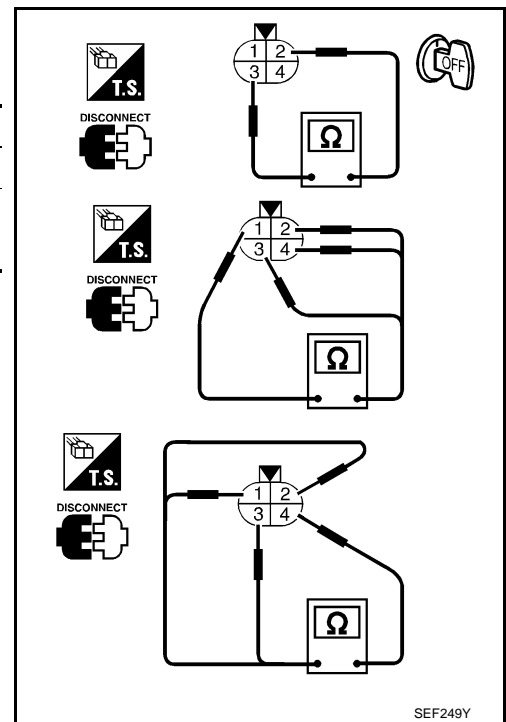
1. Check resistance between HO2S2 terminals as per the following.

Terminal No.	Resistance [at 25°C (77°F)]
2 and 3	8 - 10 Ω
1 and 2, 3, 4	∞ Ω (Continuity should not exist)
4 and 1, 2, 3	

2. If NG, replace heated oxygen sensor 2.

### CAUTION:

- Discard any heated oxygen sensor which has been dropped from a height of more than 0.5 m (19.7 in) onto a hard surface such as a concrete floor; use a new one.
- Before installing new heated oxygen sensor, clean exhaust system threads using Oxygen Sensor Thread Cleaner [Commercial service tool (J-43897-18 or J-43897-12)] and approved Anti-seize Lubricant (Commercial service tool).



# P0075, P0081 IVT CONTROL SOLENOID VALVE

< COMPONENT DIAGNOSIS >

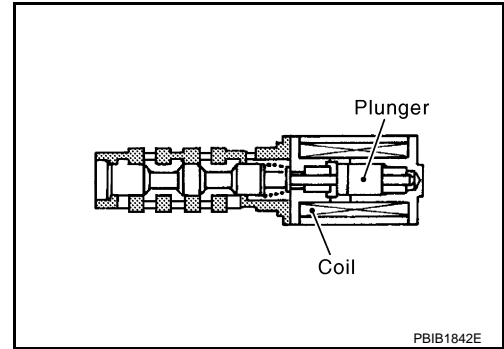
[VK56DE]

## P0075, P0081 IVT CONTROL SOLENOID VALVE

### Component Description

INFOID:000000003936507

Intake valve timing control solenoid valve is activated by ON/OFF pulse duty (ratio) signals from the ECM.  
 The intake valve timing control solenoid valve changes the oil amount and direction of flow through intake valve timing control unit or stops oil flow.  
 The longer pulse width advances valve angle.  
 The shorter pulse width retards valve angle.  
 When ON and OFF pulse widths become equal, the solenoid valve stops oil pressure flow to fix the intake valve angle at the control position.



### On Board Diagnosis Logic

INFOID:000000003936508

DTC No.	Trouble diagnosis name	DTC detecting condition	Possible cause
P0075 0075 (Bank 1)	Intake valve timing control solenoid valve circuit	An improper voltage is sent to the ECM through intake valve timing control solenoid valve.	<ul style="list-style-type: none"> <li>• Harness or connectors (Intake valve timing control solenoid valve circuit is open or shorted.)</li> <li>• Intake valve timing control solenoid valve</li> </ul>
P0081 0081 (Bank 2)			

### DTC Confirmation Procedure

INFOID:000000003936509

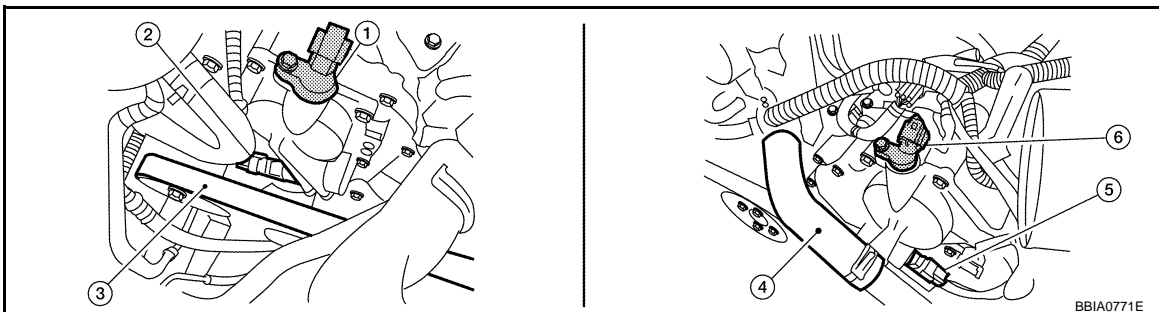
1. If DTC Confirmation Procedure has been previously conducted, always perform the following procedure before conducting the next step.
  - a. Turn ignition switch OFF and wait at least 10 seconds.
  - b. Turn ignition switch ON.
  - c. Turn ignition switch OFF and wait at least 10 seconds.
2. Start engine and let it idle for 5 seconds.
3. Check 1st trip DTC.
4. If 1st trip DTC is detected, go to [EC-585. "Diagnosis Procedure"](#).

### Diagnosis Procedure

INFOID:000000003936510

#### 1. CHECK INTAKE VALVE TIMING CONTROL SOLENOID VALVE POWER SUPPLY CIRCUIT

1. Turn ignition switch OFF.
2. Disconnect intake valve timing control solenoid valve harness connector.



# P0075, P0081 IVT CONTROL SOLENOID VALVE

[VK56DE]

## < COMPONENT DIAGNOSIS >

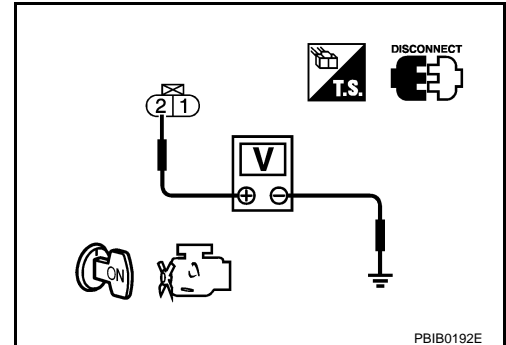
1. Intake valve timing control position sensor (bank 2)
2. Intake valve timing control solenoid valve (bank 2)
3. Drive belt
4. Radiator hose
5. Intake valve timing control solenoid valve (bank 1)
6. Intake valve timing control position sensor (bank 1)

3. Turn ignition switch ON.
4. Check voltage between intake valve timing control solenoid valve terminal 2 and ground with CONSULT-III or tester.

**Voltage: Battery voltage**

### OK or NG

- OK >> GO TO 3.  
NG >> GO TO 2.



## 2. DETECT MALFUNCTIONING PART

Check the following.

- Harness connectors E2, F32
- IPDM E/R harness connector E119
- Harness for open or short between intake valve timing control solenoid valve and IPDM E/R

>> Repair open circuit or short to ground or short to power in harness or connectors.

## 3. CHECK INTAKE VALVE TIMING CONTROL SOLENOID VALVE OUTPUT SIGNAL CIRCUIT FOR OPEN AND SHORT

1. Turn ignition switch OFF.
2. Disconnect ECM harness connector.
3. Check harness continuity between the following;  
ECM terminal 10 and intake valve timing control solenoid valve (bank 1) terminal 1 or  
ECM terminal 11 and intake valve timing control solenoid valve (bank 2) terminal 1.  
Refer to Wiring Diagram.

**Continuity should exist.**

4. Also check harness for short to ground and short to power.

### OK or NG

- OK >> GO TO 4.  
NG >> Repair open circuit or short to ground or short to power in harness or connectors.

## 4. CHECK INTAKE VALVE TIMING CONTROL SOLENOID VALVE

Refer to [EC-586, "Component Inspection"](#).

### OK or NG

- OK >> GO TO 5.  
NG >> Replace malfunctioning intake valve timing control solenoid valve.

## 5. CHECK INTERMITTENT INCIDENT

Refer to [GI-49, "Intermittent Incident"](#).

>> **INSPECTION END**

## Component Inspection

INFOID:000000003936511

## INTAKE VALVE TIMING CONTROL SOLENOID VALVE

1. Disconnect intake valve timing control solenoid valve harness connector.

# P0075, P0081 IVT CONTROL SOLENOID VALVE

[VK56DE]

## < COMPONENT DIAGNOSIS >

- Check resistance between intake valve timing control solenoid valve terminals as per the following.

Terminals	Resistance [at 20°C (68°F)]
1 and 2	7.1 - 7.7 Ω
1 or 2 and ground	∞ Ω (Continuity should not exist)

If NG, replace intake valve timing control solenoid valve.  
If OK, go to next step.

- Remove intake valve timing control solenoid valve.
- Provide 12 V DC between intake valve timing control solenoid valve terminals and then interrupt it. Check that the plunger moves as shown in the figure.

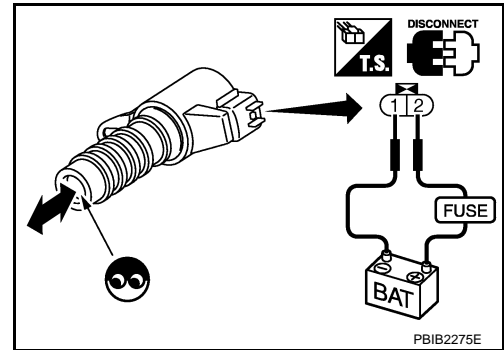
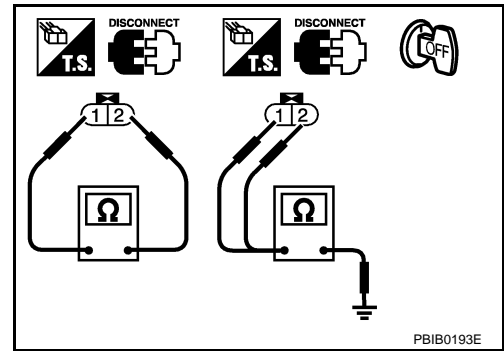
**CAUTION:**

**Never apply 12 V DC continuously for 5 seconds or more. Doing so may result in damage to the coil in intake valve timing control solenoid valve.**

If NG, replace intake valve timing control solenoid valve.

**NOTE:**

**Always replace O-ring when intake valve timing control solenoid valve is removed.**



A  
EC  
C  
D  
E  
F  
G  
H  
I  
J  
K  
L  
M  
N  
O  
P

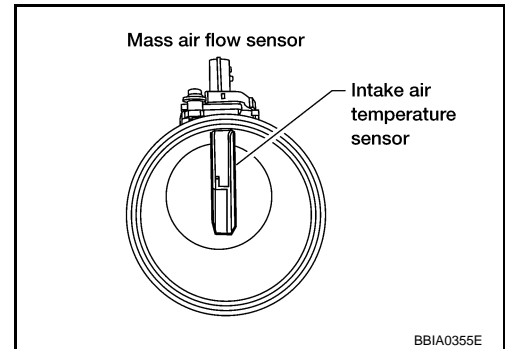
P0101 MAF SENSOR

Component Description

INFOID:000000004333335

The mass air flow sensor is placed in the stream of intake air. It measures the intake flow rate by measuring a part of the entire intake flow. The mass air flow sensor controls the temperature of the hot wire to a certain amount. The heat generated by the hot wire is reduced as the intake air flows around it. The greater air flow, the greater the heat loss.

Therefore, the electric current supplied to the hot wire is changed to maintain the temperature of the hot wire as air flow increases. The ECM detects the air flow by means of this current change.



BBIA0355E

On Board Diagnosis Logic

INFOID:000000003936513

DTC No.	Trouble diagnosis name	DTC detecting condition		Possible cause
P0101 0101	Mass air flow sensor circuit range/performance	A)	A high voltage from the sensor is sent to ECM under light load driving condition.	<ul style="list-style-type: none"> <li>• Harness or connectors (The sensor circuit is open or shorted.)</li> <li>• Mass air flow sensor</li> <li>• EVAP control system pressure sensor</li> <li>• Intake air temperature sensor</li> </ul>
		B)	A low voltage from the sensor is sent to ECM under heavy load driving condition.	<ul style="list-style-type: none"> <li>• Harness or connectors (The sensor circuit is open or shorted.)</li> <li>• Intake air leakage</li> <li>• Mass air flow sensor</li> <li>• EVAP control system pressure sensor</li> <li>• Intake air temperature sensor</li> </ul>

DTC Confirmation Procedure

INFOID:000000003936514

**Perform PROCEDURE FOR MALFUNCTION A first.**

**If the DTC cannot be confirmed, perform PROCEDURE FOR MALFUNCTION B.**

**NOTE:**

If DTC Confirmation Procedure has been previously conducted, always perform the following procedure before conducting the next step.

1. Turn ignition switch OFF and wait at least 10 seconds.
2. Turn ignition switch ON.
3. Turn ignition switch OFF and wait at least 10 seconds.

**PROCEDURE FOR MALFUNCTION A**

**NOTE:**

If engine will not start or stops soon, wait at least 10 seconds with engine stopped (Ignition switch ON) instead of running engine at idle speed.

1. Start engine and warm it up to normal operating temperature.
2. Run engine for at least 10 seconds at idle speed.
3. Check 1st trip DTC.
4. If 1st trip DTC is detected, go to [EC-590, "Diagnosis Procedure"](#).

**PROCEDURE FOR MALFUNCTION B**

**CAUTION:**

**Always drive vehicle at a safe speed.**

Ⓟ With CONSULT-III

1. Start engine and warm it up to normal operating temperature.  
**If engine cannot be started, go to [EC-590, "Diagnosis Procedure"](#).**

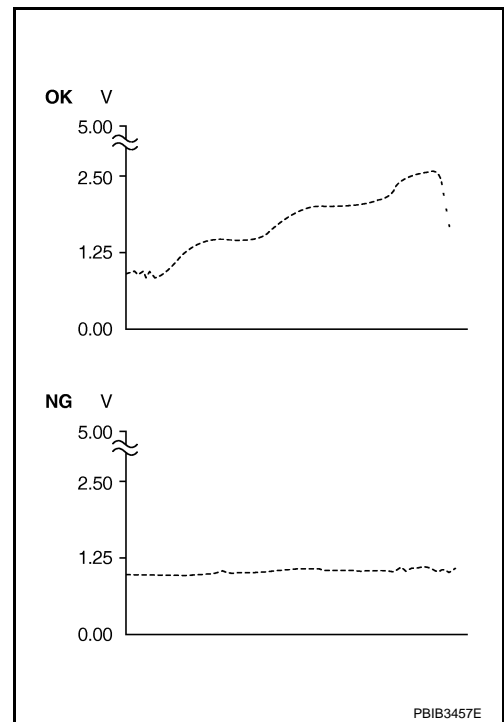


# P0101 MAF SENSOR

[VK56DE]

## < COMPONENT DIAGNOSIS >

2. Select "DATA MONITOR" mode with CONSULT-III.
3. Check the voltage of "MAS A/F SE-B1" with "DATA MONITOR".
4. Increases engine speed to approximately 4,000 rpm.
5. Monitor the linear voltage rise in response to engine speed increases.  
If NG, go to [EC-590. "Diagnosis Procedure"](#).  
If OK, go to the following step.



6. Maintain the following conditions for at least 10 consecutive seconds.

ENG SPEED	More than 2,000 rpm
TP SEN 1-B1	More than 1.5 V
TP SEN 2-B1	More than 1.5 V
Selector lever	Suitable position
Driving location	Driving vehicle uphill (Increased engine load) will help maintain the driving conditions required for this test.

7. Check 1st trip DTC.
8. If 1st trip DTC is detected, go to [EC-590. "Diagnosis Procedure"](#).

## Overall Function Check

INFOID:000000003936515

### PROCEDURE FOR MALFUNCTION B

Use this procedure to check the overall function of the mass air flow sensor circuit. During this check, a 1st trip DTC might not be confirmed.

With GST

1. Start engine and warm it up to normal operating temperature.
2. Select Service \$01 with GST.
3. Check the mass air flow sensor signal with Service \$01.
4. Check for linear mass air flow sensor signal value rise in response to increases to approximately 4,000 rpm in engine speed.
5. If NG, go to [EC-590. "Diagnosis Procedure"](#).

CALC LOAD	20%
COOLANT TEMP	95°C
SHORT FT #1	2%
LONG FT #1	0%
SHORT FT #2	4%
LONG FT #2	0%
ENGINE SPD	2637RPM
VEHICLE SPD	0MPH
IGN ADVANCE	41.0°
INTAKE AIR	41°C
<b>MAF</b>	<b>14.1gm/sec</b>
THROTTLE POS	3%

SEF534P

# P0101 MAF SENSOR

[VK56DE]

< COMPONENT DIAGNOSIS >

INFOID:000000003936516

## Diagnosis Procedure

### 1.INSPECTION START

Which malfunction (A or B) is duplicated?

A or B

A >> GO TO 3.

B >> GO TO 2.

### 2.CHECK INTAKE SYSTEM

Check the following for connection.

- Air duct
- Vacuum hoses
- Intake air passage between air duct to intake manifold

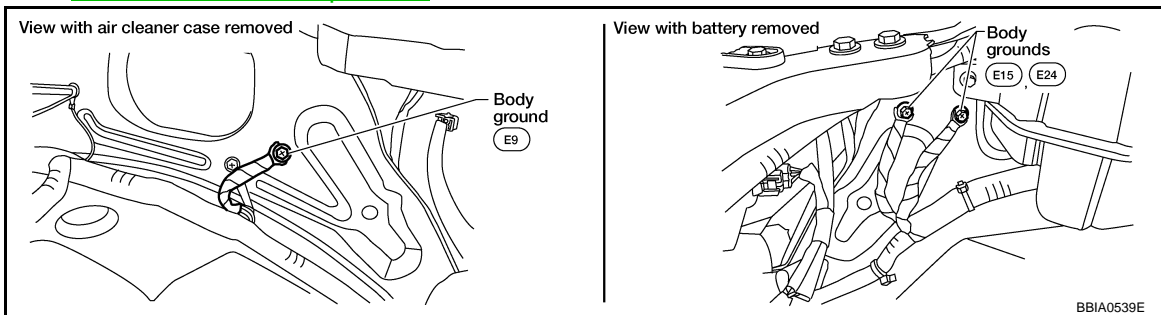
OK or NG

OK >> GO TO 3.

NG >> Reconnect the parts.

### 3.RETIGHTEN GROUND SCREWS

1. Turn ignition switch OFF.
2. Loosen and retighten ground screws on the body.  
Refer to [EC-568. "Ground Inspection"](#).



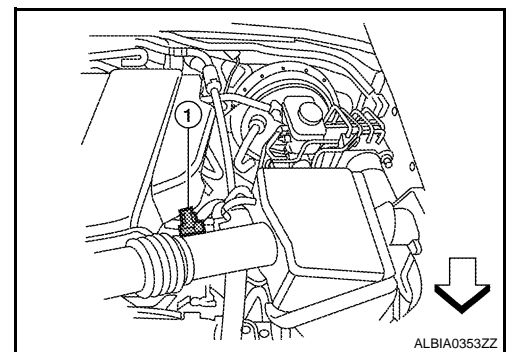
OK or NG

OK >> GO TO 4.

NG >> Repair or replace ground connections.

### 4.CHECK MASS AIR FLOW SENSOR POWER SUPPLY CIRCUIT

1. Disconnect mass air flow (MAF) sensor (1) harness connector.
- ⇐: Vehicle front
2. Turn ignition switch ON.



# P0101 MAF SENSOR

[VK56DE]

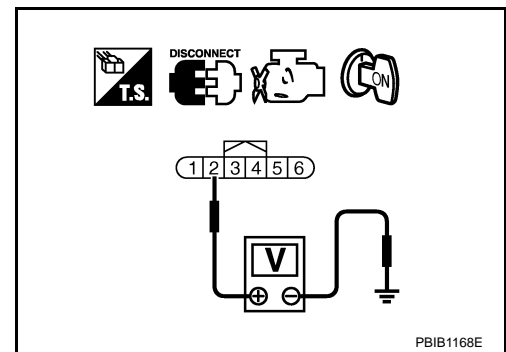
## < COMPONENT DIAGNOSIS >

3. Check voltage between MAF sensor terminal 2 and ground with CONSULT-III or tester.

**Voltage: Battery voltage**

### OK or NG

- OK >> GO TO 6.
- NG >> GO TO 5.



## 5. DETECT MALFUNCTIONING PART

Check the following.

- Harness connectors E2, F32
- IPDM E/R harness connector E119
- Harness for open or short between mass air flow sensor and IPDM E/R
- Harness for open or short between mass air flow sensor and ECM

>> Repair harness or connectors.

## 6. CHECK MAF SENSOR GROUND CIRCUIT FOR OPEN AND SHORT

1. Turn ignition switch OFF.
2. Disconnect ECM harness connector.
3. Check harness continuity between MAF sensor terminal 3 and ECM terminal 67.  
Refer to Wiring Diagram.

**Continuity should exist.**

4. Also check harness for short to ground and short to power.

### OK or NG

- OK >> GO TO 7.
- NG >> Repair open circuit or short to ground or short to power in harness or connectors.

## 7. CHECK MAF SENSOR INPUT SIGNAL CIRCUIT FOR OPEN AND SHORT

1. Check harness continuity between MAF sensor terminal 4 and ECM terminal 51.  
Refer to Wiring Diagram.

**Continuity should exist.**

2. Also check harness for short to ground and short to power.

### OK or NG

- OK >> GO TO 8.
- NG >> Repair open circuit or short to ground or short to power in harness or connectors.

## 8. CHECK INTAKE AIR TEMPERATURE SENSOR

Refer to [EC-601, "Component Inspection"](#).

### OK or NG

- OK >> GO TO 9.
- NG >> Replace mass air flow sensor (with intake air temperature sensor).

## 9. CHECK EVAP CONTROL SYSTEM PRESSURE SENSOR

Refer to [EC-730, "Component Inspection"](#).

### OK or NG

- OK >> GO TO 10.
- NG >> Replace EVAP control system pressure sensor.

## 10. CHECK MASS AIR FLOW SENSOR

Refer to [EC-592, "Component Inspection"](#).

# P0101 MAF SENSOR

[VK56DE]

## < COMPONENT DIAGNOSIS >

### OK or NG

- OK >> GO TO 11.
- NG >> Replace mass air flow sensor.

### 11. CHECK INTERMITTENT INCIDENT

Refer to [GI-49, "Intermittent Incident"](#).

>> **INSPECTION END**

## Component Inspection

INFOID:000000004333336

### MASS AIR FLOW SENSOR

 With CONSULT-III

1. Reconnect all harness connectors disconnected.
2. Start engine and warm it up to normal operating temperature.
3. Connect CONSULT-III and select "DATA MONITOR" mode.
4. Select "MAS A/F SE-B1" and check indication under the following conditions.

Condition	MAS A/F SE-B1 (V)
Ignition switch ON (Engine stopped.)	Approx. 0.4
Idle (Engine is warmed-up to normal operating temperature.)	1.0 - 1.3
2,500 rpm (Engine is warmed-up to normal operating temperature.)	1.7 - 2.1
Idle to approximately 4,000 rpm	1.0 - 1.3 to Approx. 2.4*

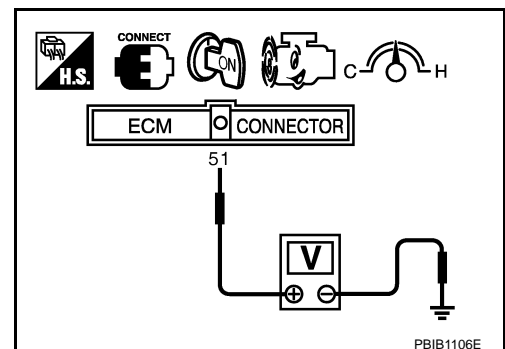
\*: Check for linear voltage rise in response to engine being increased to approximately 4,000 rpm.

5. If the voltage is out of specification, proceed the following.
  - a. Check for the cause of uneven air flow through mass air flow sensor. Refer to the following.
    - Crushed air ducts
    - Malfunctioning seal of air cleaner element
    - Uneven dirt of air cleaner element
    - Improper specification of intake air system parts
  - b. If NG, repair or replace malfunctioning part and perform steps 2 to 4 again. If OK, go to next step.
6. Turn ignition switch OFF.
7. Disconnect mass air flow sensor harness connector and reconnect it again.
8. Perform steps 2 to 4 again.
9. If NG, clean or replace mass air flow sensor.

 Without CONSULT-III

1. Reconnect all harness connectors disconnected.
2. Start engine and warm it up to normal operating temperature.
3. Check voltage between ECM terminal 51 (Mass air flow sensor signal) and ground.

Condition	MAS A/F SE-B1 (V)
Ignition switch ON (Engine stopped.)	Approx. 0.4
Idle (Engine is warmed-up to normal operating temperature.)	1.0 - 1.3
2,500 rpm (Engine is warmed-up to normal operating temperature.)	1.7 - 2.1
Idle to approximately 4,000 rpm	1.0 - 1.3 to Approx. 2.4*



## P0101 MAF SENSOR

[VK56DE]

### < COMPONENT DIAGNOSIS >

\*: Check for linear voltage rise in response to engine being increased to approximately 4,000 rpm.

4. If the voltage is out of specification, proceed the following.
- a. Check for the cause of uneven air flow through mass air flow sensor. Refer to the following.
  - Crushed air ducts
  - Malfunctioning seal of air cleaner element
  - Uneven dirt of air cleaner element
  - Improper specification of intake air system parts
- b. If NG, repair or replace malfunctioning part and perform steps 2 and 3 again.  
If OK, go to next step.
5. Turn ignition switch OFF.
6. Disconnect mass air flow sensor harness connector and reconnect it again.
7. Perform steps 2 and 3 again.
8. If NG, clean or replace mass air flow sensor.

A

EC

C

D

E

F

G

H

I

J

K

L

M

N

O

P

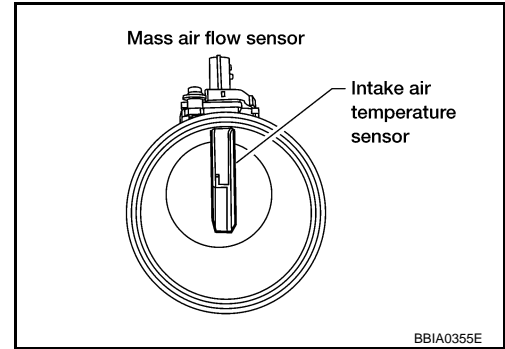
## P0102, P0103 MAF SENSOR

### Component Description

INFOID:000000003936518

The mass air flow sensor is placed in the stream of intake air. It measures the intake flow rate by measuring a part of the entire intake flow. The mass air flow sensor controls the temperature of the hot wire to a certain amount. The heat generated by the hot wire is reduced as the intake air flows around it. The greater air flow, the greater the heat loss.

Therefore, the electric current supplied to the hot wire is changed to maintain the temperature of the hot wire as air flow increases. The ECM detects the air flow by means of this current change.



### On Board Diagnosis Logic

INFOID:000000003936519

**These self-diagnoses have the one trip detection logic.**

DTC No.	Trouble diagnosis name	DTC detecting condition	Possible cause
P0102 0102	Mass air flow sensor circuit low input	An excessively low voltage from the sensor is sent to ECM.	<ul style="list-style-type: none"> <li>• Harness or connectors (The sensor circuit is open or shorted.)</li> <li>• Intake air leakage</li> <li>• Mass air flow sensor</li> </ul>
P0103 0103	Mass air flow sensor circuit high input	An excessively high voltage from the sensor is sent to ECM.	<ul style="list-style-type: none"> <li>• Harness or connectors (The sensor circuit is open or shorted.)</li> <li>• Mass air flow sensor</li> </ul>

### FAIL-SAFE MODE

When the malfunction is detected, the ECM enters fail-safe mode and the MIL illuminates.

Detected items	Engine operating condition in fail-safe mode
Mass air flow sensor circuit	Engine speed will not rise more than 2,400 rpm due to the fuel cut.

### DTC Confirmation Procedure

INFOID:000000003936520

#### NOTE:

If DTC Confirmation Procedure has been previously conducted, always perform the following procedure before conducting the next step.

1. Turn ignition switch OFF and wait at least 10 seconds.
2. Turn ignition switch ON.
3. Turn ignition switch OFF and wait at least 10 seconds.

#### PROCEDURE FOR DTC P0102

1. Start engine and wait at least 5 seconds.
2. Check DTC.
3. If DTC is detected, go to [EC-595, "Diagnosis Procedure"](#).

#### PROCEDURE FOR DTC P0103

1. Turn ignition switch ON.
2. Wait at least 5 seconds.
3. Check DTC.
4. If DTC is detected, go to [EC-595, "Diagnosis Procedure"](#).  
If DTC is not detected, go to next step.
5. Start engine and wait at least 5 seconds.
6. Check DTC.
7. If DTC is detected, go to [EC-595, "Diagnosis Procedure"](#).

# P0102, P0103 MAF SENSOR

< COMPONENT DIAGNOSIS >

[VK56DE]

INFOID:000000003936521

## Diagnosis Procedure

### 1.INSPECTION START

Which malfunction (P0102 or P0103) is duplicated?

P0102 or P0103

P0102 >> GO TO 2.

P0103 >> GO TO 3.

### 2.CHECK INTAKE SYSTEM

Check the following for connection.

- Air duct
- Vacuum hoses
- Intake air passage between air duct to intake manifold

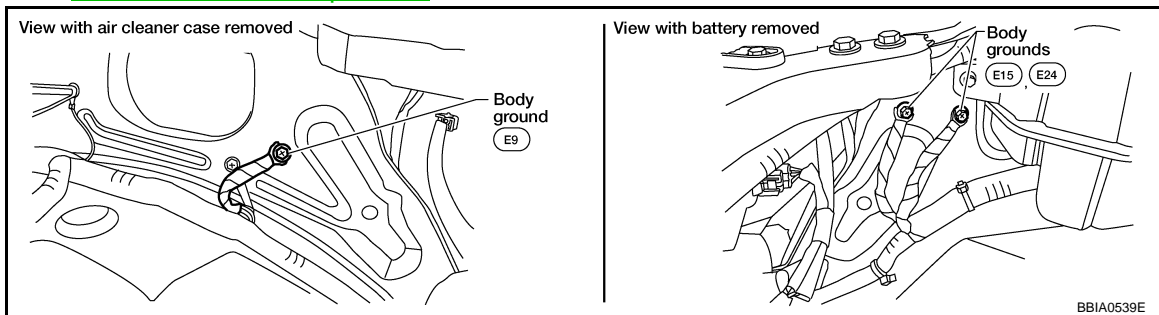
OK or NG

OK >> GO TO 3.

NG >> Reconnect the parts.

### 3.RETIGHTEN GROUND SCREWS

1. Turn ignition switch OFF.
2. Loosen and retighten ground screws on the body.  
Refer to [EC-568. "Ground Inspection"](#).



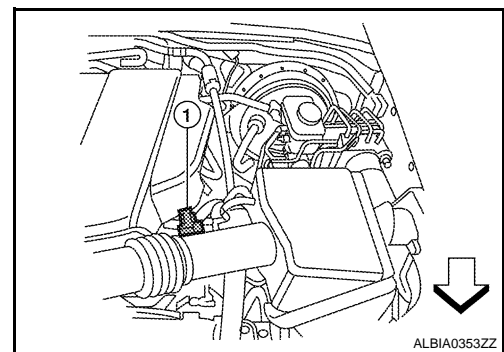
OK or NG

OK >> GO TO 4.

NG >> Repair or replace ground connections.

### 4.CHECK MASS AIR FLOW SENSOR POWER SUPPLY CIRCUIT

1. Disconnect mass air flow (MAF) sensor (1) harness connector.  
- ⇐: Vehicle front
2. Turn ignition switch ON.



## P0102, P0103 MAF SENSOR

[VK56DE]

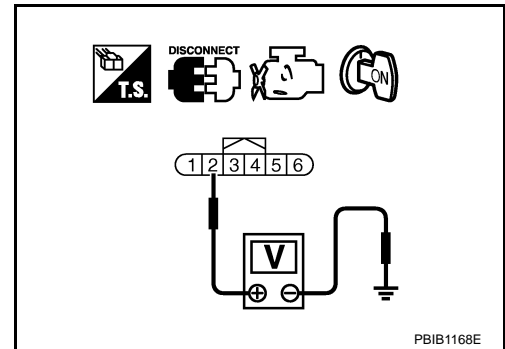
### < COMPONENT DIAGNOSIS >

3. Check voltage between MAF sensor terminal 2 and ground with CONSULT-III or tester.

**Voltage: Battery voltage**

#### OK or NG

- OK >> GO TO 6.  
NG >> GO TO 5.



PBIB1168E

## 5. DETECT MALFUNCTIONING PART

Check the following.

- Harness connectors E2, F32
- IPDM E/R harness connector E119
- Harness for open or short between mass air flow sensor and IPDM E/R
- Harness for open or short between mass air flow sensor and ECM

>> Repair harness or connectors.

## 6. CHECK MAF SENSOR GROUND CIRCUIT FOR OPEN AND SHORT

1. Turn ignition switch OFF.
2. Disconnect ECM harness connector.
3. Check harness continuity between MAF sensor terminal 3 and ECM terminal 67.  
Refer to Wiring Diagram.

**Continuity should exist.**

4. Also check harness for short to ground and short to power.

#### OK or NG

- OK >> GO TO 7.  
NG >> Repair open circuit or short to ground or short to power in harness or connectors.

## 7. CHECK MAF SENSOR INPUT SIGNAL CIRCUIT FOR OPEN AND SHORT

1. Check harness continuity between MAF sensor terminal 4 and ECM terminal 51.  
Refer to Wiring Diagram.

**Continuity should exist.**

2. Also check harness for short to ground and short to power.

#### OK or NG

- OK >> GO TO 8.  
NG >> Repair open circuit or short to ground or short to power in harness or connectors.

## 8. CHECK MASS AIR FLOW SENSOR

Refer to [EC-596, "Component Inspection"](#).

#### OK or NG

- OK >> GO TO 9.  
NG >> Replace mass air flow sensor.

## 9. CHECK INTERMITTENT INCIDENT

Refer to [GI-49, "Intermittent Incident"](#).

>> **INSPECTION END**

Component Inspection

MASS AIR FLOW SENSOR

INFOID:000000003936522



# P0102, P0103 MAF SENSOR

[VK56DE]

## < COMPONENT DIAGNOSIS >

### ④ With CONSULT-III

1. Reconnect all harness connectors disconnected.
2. Start engine and warm it up to normal operating temperature.
3. Connect CONSULT-III and select "DATA MONITOR" mode.
4. Select "MAS A/F SE-B1" and check indication under the following conditions.

Condition	MAS A/F SE-B1 (V)
Ignition switch ON (Engine stopped.)	Approx. 0.4
Idle (Engine is warmed-up to normal operating temperature.)	1.0 - 1.3
2,500 rpm (Engine is warmed-up to normal operating temperature.)	1.7 - 2.1
Idle to approximately 4,000 rpm	1.0 - 1.3 to Approx. 2.4*

\*: Check for linear voltage rise in response to engine being increased to approximately 4,000 rpm.

5. If the voltage is out of specification, proceed the following.
  - a. Check for the cause of uneven air flow through mass air flow sensor. Refer to the following.
    - Crushed air ducts
    - Malfunctioning seal of air cleaner element
    - Uneven dirt of air cleaner element
    - Improper specification of intake air system parts
  - b. If NG, repair or replace malfunctioning part and perform steps 2 to 4 again. If OK, go to next step.
6. Turn ignition switch OFF.
7. Disconnect mass air flow sensor harness connector and reconnect it again.
8. Perform steps 2 to 4 again.
9. If NG, clean or replace mass air flow sensor.

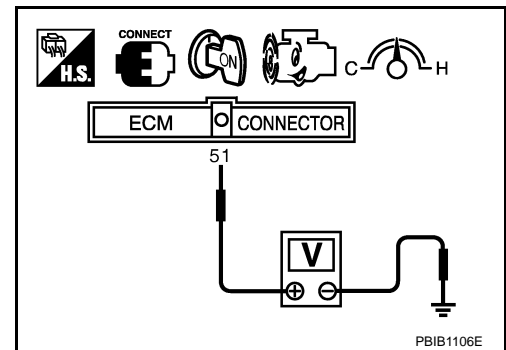
### ⊗ Without CONSULT-III

1. Reconnect all harness connectors disconnected.
2. Start engine and warm it up to normal operating temperature.
3. Check voltage between ECM terminal 51 (Mass air flow sensor signal) and ground.

Condition	MAS A/F SE-B1 (V)
Ignition switch ON (Engine stopped.)	Approx. 0.4
Idle (Engine is warmed-up to normal operating temperature.)	1.0 - 1.3
2,500 rpm (Engine is warmed-up to normal operating temperature.)	1.7 - 2.1
Idle to approximately 4,000 rpm	1.0 - 1.3 to Approx. 2.4*

\*: Check for linear voltage rise in response to engine being increased to approximately 4,000 rpm.

4. If the voltage is out of specification, proceed the following.
  - a. Check for the cause of uneven air flow through mass air flow sensor. Refer to the following.
    - Crushed air ducts
    - Malfunctioning seal of air cleaner element
    - Uneven dirt of air cleaner element
    - Improper specification of intake air system parts
  - b. If NG, repair or replace malfunctioning part and perform steps 2 and 3 again. If OK, go to next step.
5. Turn ignition switch OFF.
6. Disconnect mass air flow sensor harness connector and reconnect it again.
7. Perform steps 2 and 3 again.



## P0102, P0103 MAF SENSOR

< COMPONENT DIAGNOSIS >

[VK56DE]

---

8. If NG, clean or replace mass air flow sensor.

# P0112, P0113 IAT SENSOR

< COMPONENT DIAGNOSIS >

[VK56DE]

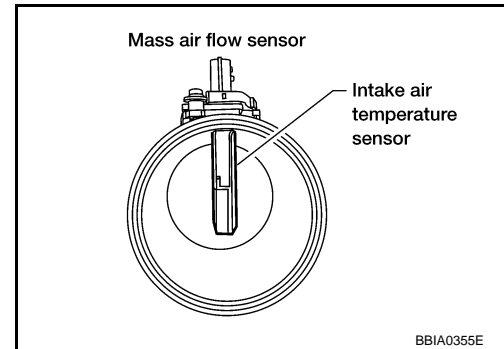
## P0112, P0113 IAT SENSOR

### Component Description

INFOID:000000003936523

The intake air temperature sensor is built-into the mass air flow sensor. The sensor detects intake air temperature and transmits a signal to the ECM.

The temperature sensing unit uses a thermistor which is sensitive to the change in temperature. Electrical resistance of the thermistor decreases in response to the rise in temperature.



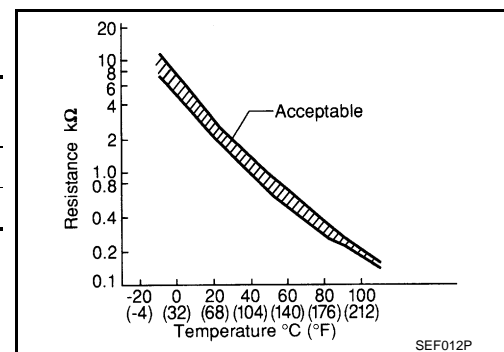
### <Reference data>

Intake air temperature [°C (°F)]	Voltage* (V)	Resistance (kΩ)
25 (77)	3.3	1.800 - 2.200
80 (176)	1.2	0.283 - 0.359

\*: This data is reference value and is measured between ECM terminal 34 (Intake air temperature sensor) and ground.

#### CAUTION:

**Never use ECM ground terminals when measuring input/output voltage. Doing so may result in damage to the ECM's transistor. Use a ground other than ECM terminals, such as the ground.**



### On Board Diagnosis Logic

INFOID:000000003936524

DTC No.	Trouble diagnosis name	DTC detecting condition	Possible cause
P0112 0112	Intake air temperature sensor circuit low input	An excessively low voltage from the sensor is sent to ECM.	<ul style="list-style-type: none"> <li>• Harness or connectors (The sensor circuit is open or shorted.)</li> <li>• Intake air temperature sensor</li> </ul>
P0113 0113	Intake air temperature sensor circuit high input	An excessively high voltage from the sensor is sent to ECM.	

### DTC Confirmation Procedure

INFOID:000000003936525

1. If DTC Confirmation Procedure has been previously conducted, always perform the following procedure before conducting the next step.
  - a. Turn ignition switch OFF and wait at least 10 seconds.
  - b. Turn ignition switch ON.
  - c. Turn ignition switch OFF and wait at least 10 seconds.
2. Turn ignition switch ON.
3. Wait at least 5 seconds.
4. Check 1st trip DTC.
5. If 1st trip DTC is detected, go to [EC-599, "Diagnosis Procedure"](#).

### Diagnosis Procedure

INFOID:000000003936526

#### 1. CHECK GROUND CONNECTIONS

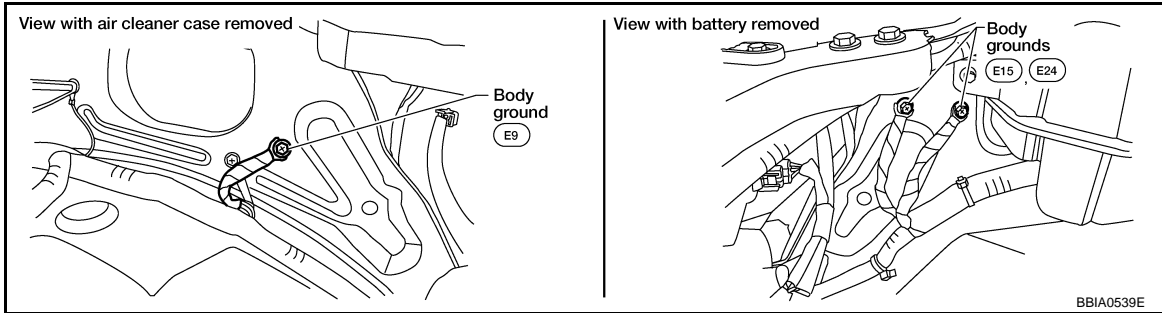
1. Turn ignition switch OFF.
2. Loosen and retighten ground screws on the body.

# P0112, P0113 IAT SENSOR

[VK56DE]

## < COMPONENT DIAGNOSIS >

Refer to [EC-568, "Ground Inspection"](#).



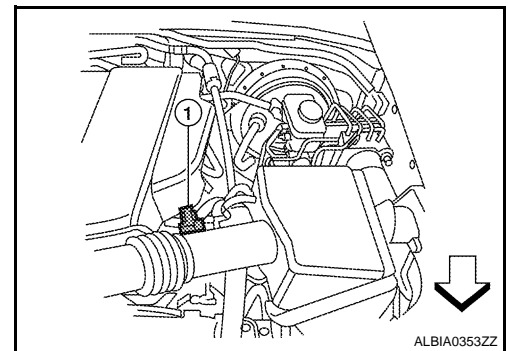
### OK or NG

OK >> GO TO 2.

NG >> Repair or replace ground connections.

## 2. CHECK INTAKE AIR TEMPERATURE SENSOR POWER SUPPLY CIRCUIT

1. Disconnect mass air flow sensor (with intake air temperature sensor) (1) harness connector.
  - ⇐: Vehicle front
2. Turn ignition switch ON.



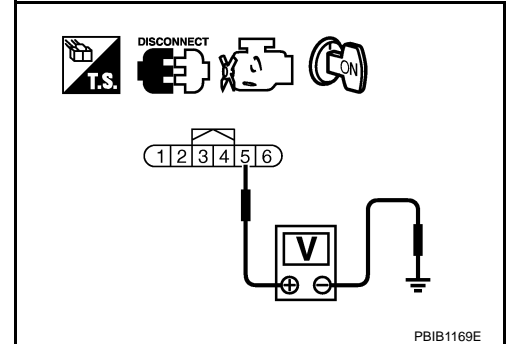
3. Check voltage between mass air flow sensor terminal 5 and ground.

**Voltage: Approximately 5 V**

### OK or NG

OK >> GO TO 3.

NG >> Repair harness or connectors.



## 3. CHECK INTAKE AIR TEMPERATURE SENSOR GROUND CIRCUIT FOR OPEN AND SHORT

1. Turn ignition switch OFF.
2. Disconnect ECM harness connector.
3. Check harness continuity between mass air flow sensor terminal 6 and ECM terminal 67.  
Refer to Wiring Diagram.

**Continuity should exist.**

4. Also check harness for short to ground and short to power.

### OK or NG

OK >> GO TO 4.

NG >> Repair open circuit or short to ground or short to power in harness or connectors.

## 4. CHECK INTAKE AIR TEMPERATURE SENSOR

Refer to [EC-601, "Component Inspection"](#).

### OK or NG

OK >> GO TO 5.

NG >> Replace mass air flow sensor (with intake air temperature sensor).

# P0112, P0113 IAT SENSOR

< COMPONENT DIAGNOSIS >

[VK56DE]

## 5. CHECK INTERMITTENT INCIDENT

Refer to [GI-49. "Intermittent Incident"](#).

>> INSPECTION END

### Component Inspection

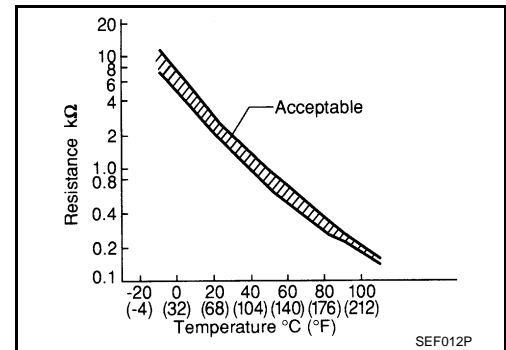
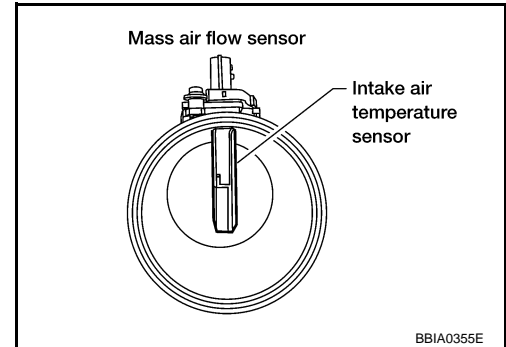
INFOID:000000004333338

#### INTAKE AIR TEMPERATURE SENSOR

1. Check resistance between intake air temperature sensor terminals 5 and 6 under the following conditions.

Intake air temperature [°C (°F)]	Resistance (kΩ)
25 (77)	1.800 - 2.200

2. If NG, replace mass air flow sensor (with intake air temperature sensor).



# P0116 ECT SENSOR

< COMPONENT DIAGNOSIS >

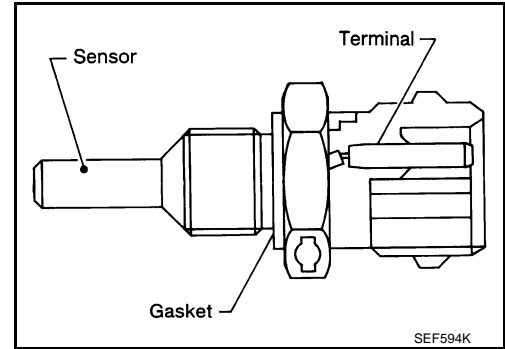
[VK56DE]

## P0116 ECT SENSOR

### Component Description

INFOID:000000004333340

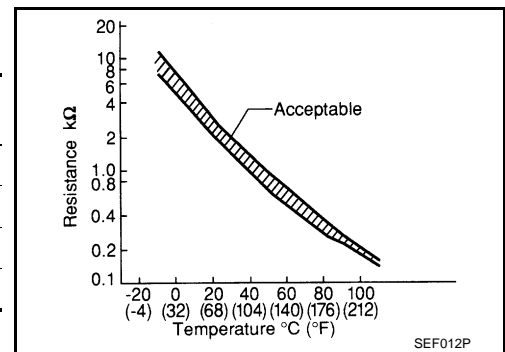
The engine coolant temperature sensor is used to detect the engine coolant temperature. The sensor modifies a voltage signal from the ECM. The modified signal returns to the ECM as the engine coolant temperature input. The sensor uses a thermistor which is sensitive to the change in temperature. The electrical resistance of the thermistor decreases as temperature increases.



### <Reference data>

Engine coolant temperature [°C (°F)]	Voltage* (V)	Resistance (kΩ)
-10 (14)	4.4	7.0 - 11.4
20 (68)	3.5	2.1 - 2.9
50 (122)	2.2	0.68 - 1.00
90 (194)	0.9	0.236 - 0.260

\*: This data is reference value and is measured between ECM terminal 73 (Engine coolant temperature sensor) and ground.



### CAUTION:

**Never use ECM ground terminals when measuring input/output voltage. Doing so may result in damage to the ECM's transistor. Use a ground other than ECM terminals, such as the ground.**

### On Board Diagnosis Logic

INFOID:000000004333320

### NOTE:

If DTC P0116 is displayed with P0117 or P0118, first perform the trouble diagnosis for DTC P0117, P0118. Refer to [EC-606, "DTC Confirmation Procedure"](#).

DTC No.	Trouble diagnosis name	DTC detecting condition	Possible cause
P0116 0116	Engine coolant temperature sensor circuit range/performance	Engine coolant temperature signal from engine coolant temperature sensor does not fluctuate, even when some time has passed after starting the engine with pre-warming up condition.	<ul style="list-style-type: none"> <li>• Harness or connectors (High or low resistance in the circuit)</li> <li>• Engine coolant temperature sensor</li> </ul>

### DTC Confirmation Procedure

INFOID:000000004333321

### NOTE:

If DTC confirmation procedure has been previously conducted, always perform the following before conducting the next step.

1. Turn ignition switch OFF and wait at least 10 seconds.
2. Turn ignition switch ON.
3. Turn ignition switch OFF and wait at least 10 seconds.

### TESTING CONDITION:

**Before performing the following procedure, do not add fuel.**

1. Start engine and warm it up to normal operating temperature.
2. Rev engine up to 2,000 rpm for more than 10 minutes.
3. Move the vehicle to a cool place, then stop engine and turn ignition switch OFF.
4. Check resistance between "fuel level sensor and fuel pump" terminals 3 and 4.

# P0116 ECT SENSOR

[VK56DE]

## < COMPONENT DIAGNOSIS >

5. Soak the vehicle until the resistance between "fuel level sensor and fuel pump" terminals 3 and 4 becomes 0.5 k $\Omega$  higher than the value measured before soaking.

**CAUTION:**

**Never turn ignition switch ON during soaking.**

**NOTE:**

**Soak time changes depending on ambient air temperature. It may take several hours.**

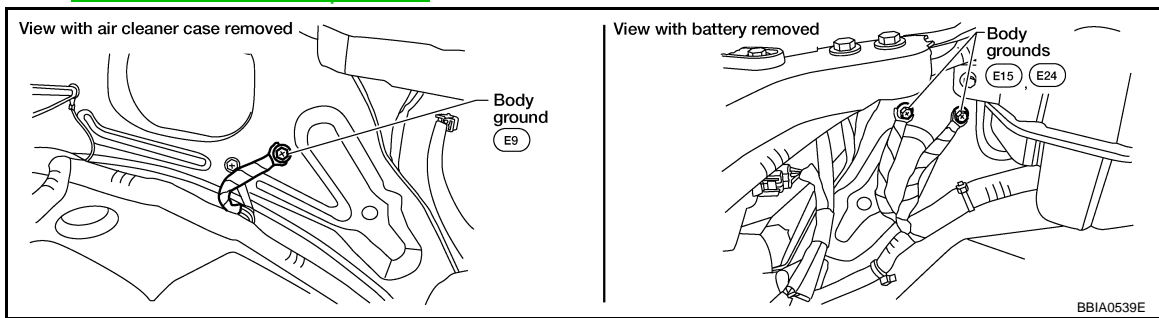
6. Start engine and let it idle for 5 minutes.
7. Check 1st trip DTC.
8. If 1st trip DTC is detected, go to [EC-603, "Diagnosis Procedure"](#).

## Diagnosis Procedure

INFOID:000000004333322

### 1. CHECK GROUND CONNECTIONS

1. Turn ignition switch OFF.
2. Loosen and retighten ground screws on the body.  
Refer to [EC-568, "Ground Inspection"](#).



#### OK or NG

- OK >> GO TO 2.
- NG >> Repair or replace ground connections.

### 2. CHECK ENGINE COOLANT TEMPERATURE SENSOR

Refer to [EC-603, "Component Inspection"](#).

#### OK or NG

- OK >> GO TO 3.
- NG >> Replace engine coolant temperature sensor.

### 3. CHECK INTERMITTENT INCIDENT

Refer to [GI-49, "Intermittent Incident"](#).

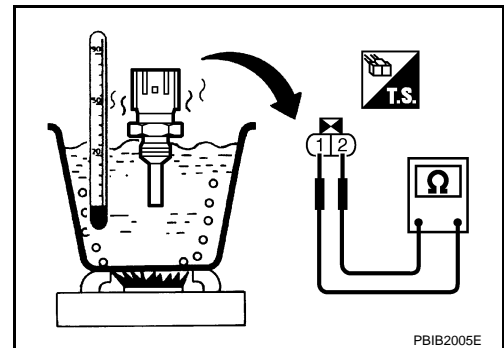
>> **INSPECTION END**

## Component Inspection

INFOID:000000004333341

### ENGINE COOLANT TEMPERATURE SENSOR

1. Check resistance between engine coolant temperature sensor terminals 1 and 2 as shown in the figure.



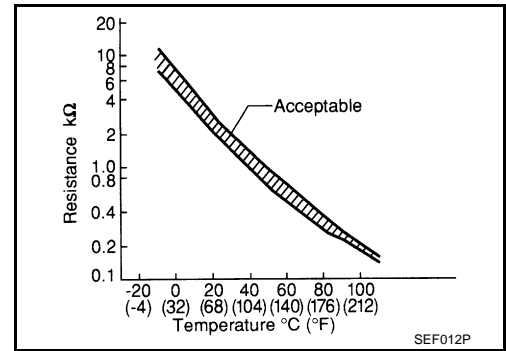
# P0116 ECT SENSOR

## < COMPONENT DIAGNOSIS >

[VK56DE]

Engine coolant temperature [°C (°F)]	Resistance (kΩ)
20 (68)	2.1 - 2.9
50 (122)	0.68 - 1.00
90 (194)	0.236 - 0.260

2. If NG, replace engine coolant temperature sensor.





# P0117, P0118 ECT SENSOR

< COMPONENT DIAGNOSIS >

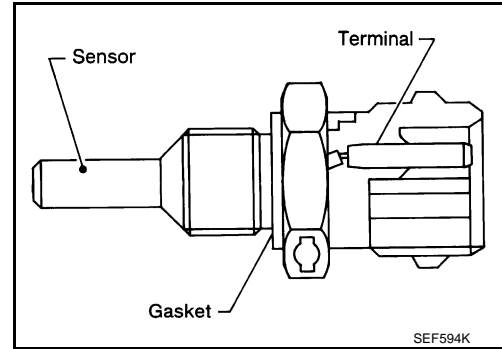
[VK56DE]

## P0117, P0118 ECT SENSOR

### Component Description

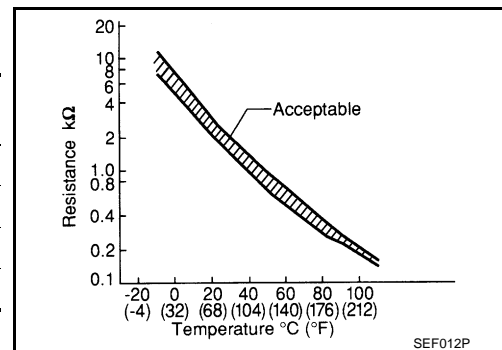
INFOID:000000003936528

The engine coolant temperature sensor is used to detect the engine coolant temperature. The sensor modifies a voltage signal from the ECM. The modified signal returns to the ECM as the engine coolant temperature input. The sensor uses a thermistor which is sensitive to the change in temperature. The electrical resistance of the thermistor decreases as temperature increases.



### <Reference data>

Engine coolant temperature [°C (°F)]	Voltage* (V)	Resistance (kΩ)
-10 (14)	4.4	7.0 - 11.4
20 (68)	3.5	2.1 - 2.9
50 (122)	2.2	0.68 - 1.00
90 (194)	0.9	0.236 - 0.260



\*: This data is reference value and is measured between ECM terminal 73 (Engine coolant temperature sensor) and ground.

### CAUTION:

**Never use ECM ground terminals when measuring input/output voltage. Doing so may result in damage to the ECM's transistor. Use a ground other than ECM terminals, such as the ground.**

### On Board Diagnosis Logic

INFOID:000000003936529

These self-diagnoses have the one trip detection logic.

DTC No.	Trouble diagnosis name	DTC detecting condition	Possible cause
P0117 0117	Engine coolant temperature sensor circuit low input	An excessively low voltage from the sensor is sent to ECM.	<ul style="list-style-type: none"> <li>• Harness or connectors (The sensor circuit is open or shorted.)</li> <li>• Engine coolant temperature sensor</li> </ul>
P0118 0118	Engine coolant temperature sensor circuit high input	An excessively high voltage from the sensor is sent to ECM.	

### FAIL-SAFE MODE

When the malfunction is detected, the ECM enters fail-safe mode and the MIL illuminates.

Detected items	Engine operating condition in fail-safe mode	
Engine coolant temperature sensor circuit	Engine coolant temperature will be determined by ECM based on the following condition. CONSULT-III displays the engine coolant temperature decided by ECM.	
	Condition	Engine coolant temperature decided (CONSULT-III display)
	Just as ignition switch is turned ON or START	40°C (104°F)
	Approx. 4 minutes or more after engine starting	80°C (176°F)
	Except as shown above	40 - 80°C (104 - 176°F) (Depends on the time)
When the fail-safe system for engine coolant temperature sensor is activated, the cooling fan operates while engine is running.		

# P0117, P0118 ECT SENSOR

[VK56DE]

< COMPONENT DIAGNOSIS >

## DTC Confirmation Procedure

INFOID:000000003936530

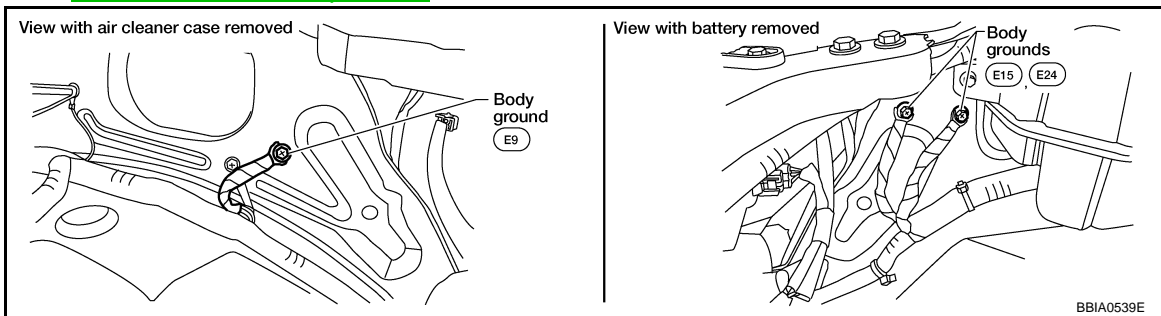
1. If DTC Confirmation Procedure has been previously conducted, always perform the following before conducting the next step.
  - a. Turn ignition switch OFF and wait at least 10 seconds.
  - b. Turn ignition switch ON.
  - c. Turn ignition switch OFF and wait at least 10 seconds.
2. Turn ignition switch ON.
3. Wait at least 5 seconds.
4. Check DTC.
5. If DTC is detected, go to [EC-606, "Diagnosis Procedure"](#).

## Diagnosis Procedure

INFOID:000000003936531

### 1. CHECK GROUND CONNECTIONS

1. Turn ignition switch OFF.
2. Loosen and retighten ground screws on the body.  
Refer to [EC-568, "Ground Inspection"](#).

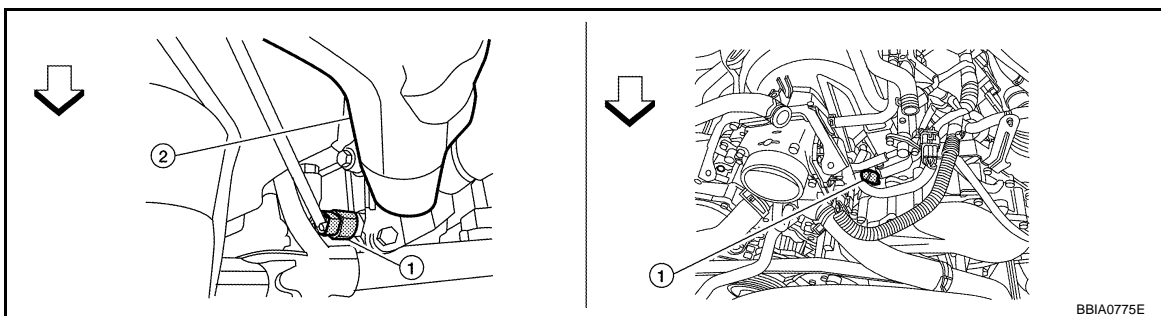


**OK or NG**

- OK >> GO TO 2.  
NG >> Repair or replace ground connections.

### 2. CHECK ENGINE COOLANT TEMPERATURE SENSOR POWER SUPPLY CIRCUIT

1. Disconnect engine coolant temperature (ECT) sensor harness connector.



1. Engine coolant temperature (ECT) sensor    2. Intake manifold sensor

↶ : Vehicle front

2. Turn ignition switch ON.

# P0117, P0118 ECT SENSOR

[VK56DE]

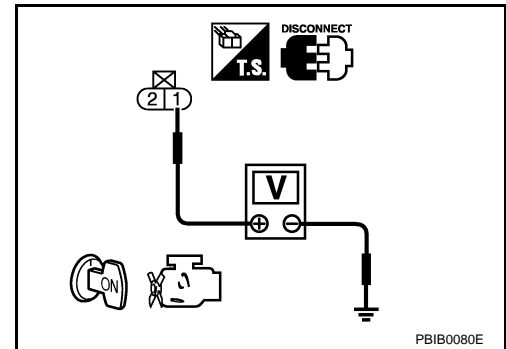
## < COMPONENT DIAGNOSIS >

3. Check voltage between ECT sensor terminal 1 and ground with CONSULT-III or tester.

**Voltage: Approximately 5 V**

### OK or NG

- OK >> GO TO 4.
- NG >> GO TO 3.



## 3. DETECT MALFUNCTIONING PART

Check the following.

- Harness connector F38, F275
- Harness for open or short between ECM and engine coolant temperature sensor

>> Repair open circuit or short to ground or short to power in harness or connectors.

## 4. CHECK ECT SENSOR GROUND CIRCUIT FOR OPEN AND SHORT

1. Turn ignition switch OFF.
2. Disconnect ECM harness connector.
3. Check harness continuity between ECT sensor terminal 2 and ECM terminal 67.  
Refer to Wiring Diagram.

**Continuity should exist.**

4. Also check harness for short to ground and short to power.

### OK or NG

- OK >> GO TO 6.
- NG >> GO TO 5.

## 5. DETECT MALFUNCTIONING PART

Check the following.

- Harness connector F38, F275
- Harness for open and short between ECT sensor and ECM

>> Repair open circuit or short to ground or short to power in harness or connectors.

## 6. CHECK ENGINE COOLANT TEMPERATURE SENSOR

Refer to [EC-607, "Component Inspection"](#).

### OK or NG

- OK >> GO TO 7.
- NG >> Replace engine coolant temperature sensor.

## 7. CHECK INTERMITTENT INCIDENT

Refer to [GI-49, "Intermittent Incident"](#).

>> **INSPECTION END**

Component Inspection

ENGINE COOLANT TEMPERATURE SENSOR

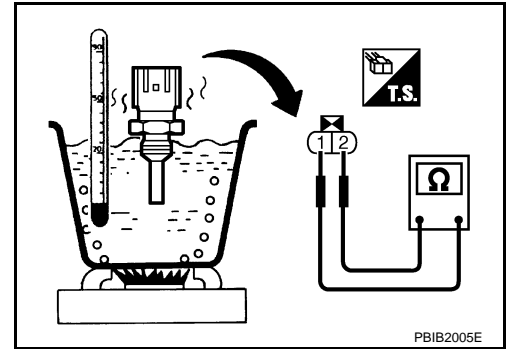
INFOID:000000003936532

# P0117, P0118 ECT SENSOR

[VK56DE]

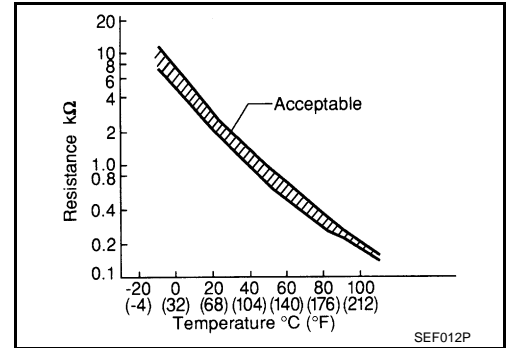
## < COMPONENT DIAGNOSIS >

1. Check resistance between engine coolant temperature sensor terminals 1 and 2 as shown in the figure.



Engine coolant temperature [°C (°F)]	Resistance (kΩ)
20 (68)	2.1 - 2.9
50 (122)	0.68 - 1.00
90 (194)	0.236 - 0.260

2. If NG, replace engine coolant temperature sensor.



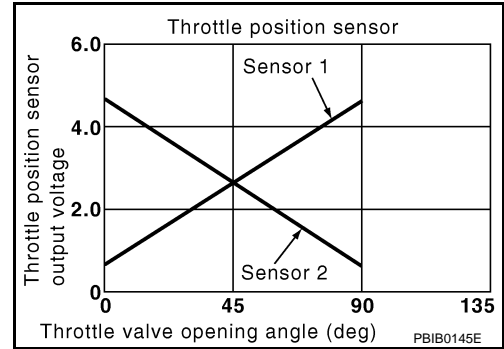
P0122, P0123 TP SENSOR

Component Description

INFOID:000000003936533

Electric throttle control actuator consists of throttle control motor, throttle position sensor, etc. The throttle position sensor responds to the throttle valve movement.

The throttle position sensor has the two sensors. These sensors are a kind of potentiometer which transform the throttle valve position into output voltage, and emit the voltage signals to the ECM. The ECM judges the current opening angle of the throttle valve from these signals and controls the throttle valve in response to driving conditions via the throttle control motor.



On Board Diagnosis Logic

INFOID:000000003936534

These self-diagnoses have the one trip detection logic.

DTC No.	Trouble diagnosis name	DTC detecting condition	Possible cause
P0122 0122	Throttle position sensor 2 circuit low input	An excessively low voltage from the TP sensor 2 is sent to ECM.	<ul style="list-style-type: none"> <li>• Harness or connectors (TP sensor 2 circuit is open or shorted.) (APP sensor 2 circuit is shorted.)</li> <li>• Electric throttle control actuator (TP sensor 2)</li> <li>• Accelerator pedal position sensor (APP sensor 2)</li> </ul>
P0123 0123	Throttle position sensor 2 circuit high input	An excessively high voltage from the TP sensor 2 is sent to ECM.	

FAIL-SAFE MODE

When the malfunction is detected, ECM enters fail-safe mode and the MIL illuminates.

Engine operation condition in fail-safe mode

The ECM controls the electric throttle control actuator in regulating the throttle opening in order for the idle position to be within +10 degrees.

The ECM regulates the opening speed of the throttle valve to be slower than the normal condition.

So, the acceleration will be poor.

DTC Confirmation Procedure

INFOID:000000003936535

NOTE:

If DTC Confirmation Procedure has been previously conducted, always perform the following procedure before conducting the next step.

1. Turn ignition switch OFF and wait at least 10 seconds.
2. Turn ignition switch ON.
3. Turn ignition switch OFF and wait at least 10 seconds.

TESTING CONDITION:

Before performing the following procedure, confirm that battery voltage is more than 8 V at idle.

1. Start engine and let it idle for 1 second.
2. Check DTC.
3. If DTC is detected, go to [EC-609. "Diagnosis Procedure"](#).

Diagnosis Procedure

INFOID:000000003936536

1. CHECK GROUND CONNECTIONS

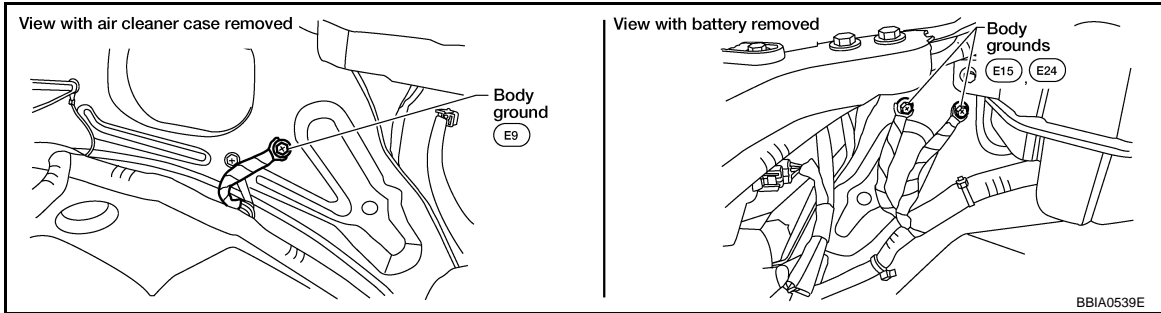
1. Turn ignition switch OFF.
2. Loosen and retighten ground screws on the body.

# P0122, P0123 TP SENSOR

[VK56DE]

## < COMPONENT DIAGNOSIS >

Refer to [EC-568, "Ground Inspection"](#).

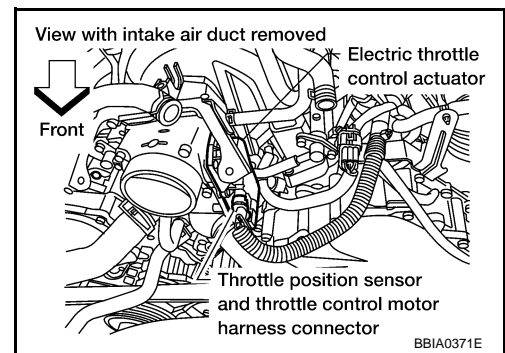


### OK or NG

- OK >> GO TO 2.
- NG >> Repair or replace ground connections.

## 2. CHECK THROTTLE POSITION SENSOR 2 POWER SUPPLY CIRCUIT-I

1. Disconnect electric throttle control actuator harness connector.
2. Turn ignition switch ON.

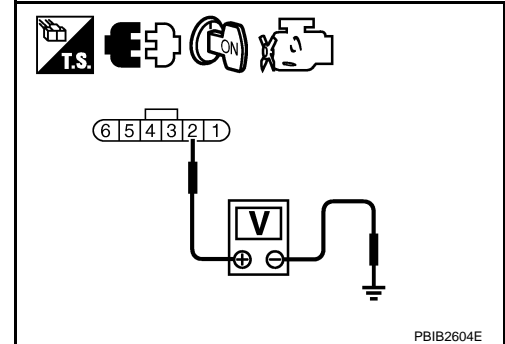


3. Check voltage between electric throttle control actuator terminal 2 and ground with CONSULT-III or tester.

**Voltage: Approximately 5 V**

### OK or NG

- OK >> GO TO 7.
- NG >> GO TO 3.



## 3. CHECK THROTTLE POSITION SENSOR 2 POWER SUPPLY CIRCUIT-II

1. Turn ignition switch OFF.
2. Disconnect ECM harness connector.
3. Check harness continuity between electric throttle control actuator terminal 2 and ECM terminal 47. Refer to Wiring Diagram.

**Continuity should exist.**

### OK or NG

- OK >> GO TO 4.
- NG >> Repair open circuit.

## 4. CHECK SENSOR POWER SUPPLY CIRCUIT

Check harness for short to power and short to ground, between the following terminals.

ECM terminal	Sensor terminal	Reference Wiring Diagram
47	Electric throttle control actuator terminal 2	<a href="#">EC-899, "Wiring Diagram - ENGINE CONTROL SYSTEM -"</a>
91	Accelerator pedal position sensor terminal 1	

# P0122, P0123 TP SENSOR

[VK56DE]

< COMPONENT DIAGNOSIS >

OK or NG

- OK >> GO TO 5.
- NG >> Repair short to ground or short to power in harness or connectors.

## 5. CHECK ACCELERATOR PEDAL POSITION SENSOR

Refer to [EC-843. "Component Inspection"](#).

OK or NG

- OK >> GO TO 11.
- NG >> GO TO 6.

## 6. REPLACE ACCELERATOR PEDAL ASSEMBLY

1. Replace the accelerator pedal assembly.
2. Perform [EC-500. "Accelerator Pedal Released Position Learning"](#).
3. Perform [EC-500. "Throttle Valve Closed Position Learning"](#).
4. Perform [EC-500. "Idle Air Volume Learning"](#).

>> **INSPECTION END**

## 7. CHECK THROTTLE POSITION SENSOR 2 GROUND CIRCUIT FOR OPEN AND SHORT

1. Turn ignition switch OFF.
2. Disconnect ECM harness connector.
3. Check harness continuity between electric throttle control actuator terminal 4 and ECM terminal 66.  
Refer to Wiring Diagram.

**Continuity should exist.**

4. Also check harness for short to ground and short to power.

OK or NG

- OK >> GO TO 8.
- NG >> Repair open circuit or short to ground or short to power in harness or connectors.

## 8. CHECK THROTTLE POSITION SENSOR 2 INPUT SIGNAL CIRCUIT FOR OPEN AND SHORT

1. Check harness continuity between ECM terminal 69 and electric throttle control actuator terminal 3.  
Refer to Wiring Diagram.

**Continuity should exist.**

2. Also check harness for short to ground and short to power.

OK or NG

- OK >> GO TO 9.
- NG >> Repair open circuit or short to ground or short to power in harness or connectors.

## 9. CHECK THROTTLE POSITION SENSOR

Refer to [EC-612. "Component Inspection"](#).

OK or NG

- OK >> GO TO 11.
- NG >> GO TO 10.

## 10. REPLACE ELECTRIC THROTTLE CONTROL ACTUATOR

1. Replace the electric throttle control actuator.
2. Perform [EC-500. "Throttle Valve Closed Position Learning"](#).
3. Perform [EC-500. "Idle Air Volume Learning"](#).

>> **INSPECTION END**

## 11. CHECK INTERMITTENT INCIDENT

Refer to [GI-49. "Intermittent Incident"](#).

>> INSPECTION END

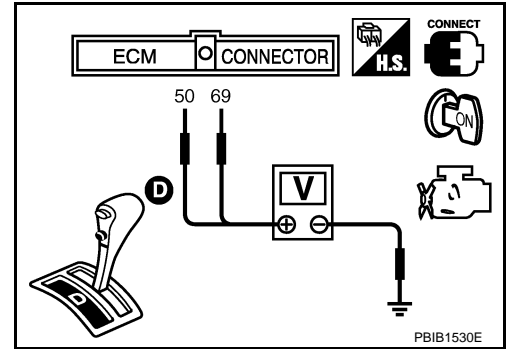
Component Inspection

INFOID:000000003936537

THROTTLE POSITION SENSOR

1. Reconnect all harness connectors disconnected.
2. Perform [EC-500, "Throttle Valve Closed Position Learning"](#).
3. Turn ignition switch ON.
4. Shift selector lever to the D position.
5. Check voltage between ECM terminals 50 (TP sensor 1 signal) and ground, 69 (TP sensor 2 signal) and ground under the following conditions.

Terminal	Accelerator pedal	Voltage
50 (Throttle position sensor 1)	Fully released	More than 0.36V
	Fully depressed	Less than 4.75V
69 (Throttle position sensor 2)	Fully released	Less than 4.75V
	Fully depressed	More than 0.36V



6. If NG, replace electric throttle control actuator and go to the next step.
7. Perform [EC-500, "Throttle Valve Closed Position Learning"](#).
8. Perform [EC-500, "Idle Air Volume Learning"](#).



# P0125 ECT SENSOR

< COMPONENT DIAGNOSIS >

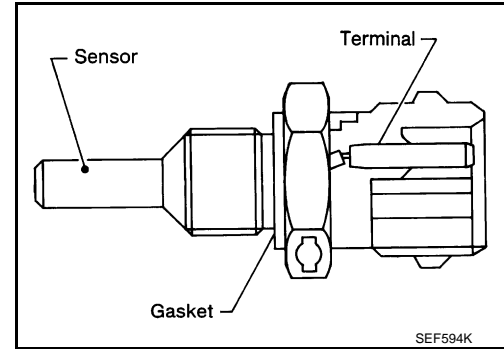
[VK56DE]

## P0125 ECT SENSOR

### Component Description

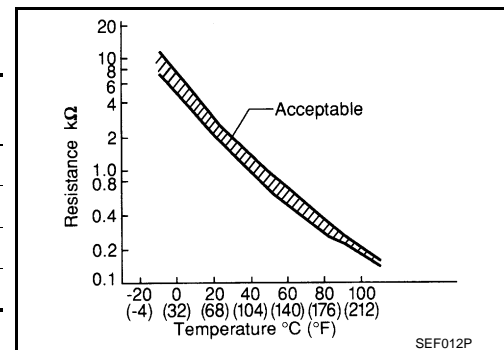
INFOID:000000004333346

The engine coolant temperature sensor is used to detect the engine coolant temperature. The sensor modifies a voltage signal from the ECM. The modified signal returns to the ECM as the engine coolant temperature input. The sensor uses a thermistor which is sensitive to the change in temperature. The electrical resistance of the thermistor decreases as temperature increases.



### <Reference data>

Engine coolant temperature [°C (°F)]	Voltage* (V)	Resistance (kΩ)
-10 (14)	4.4	7.0 - 11.4
20 (68)	3.5	2.1 - 2.9
50 (122)	2.2	0.68 - 1.00
90 (194)	0.9	0.236 - 0.260



\*: This data is reference value and is measured between ECM terminal 73 (Engine coolant temperature sensor) and ground.

### CAUTION:

Never use ECM ground terminals when measuring input/output voltage. Doing so may result in damage to the ECM's transistor. Use a ground other than ECM terminals, such as the ground.

### On Board Diagnosis Logic

INFOID:000000003936539

DTC No.	Trouble diagnosis name	DTC detecting condition	Possible cause
P0125 0125	Insufficient engine coolant temperature for closed loop fuel control	<ul style="list-style-type: none"> <li>Voltage sent to ECM from the sensor is not practical, even when some time has passed after starting the engine.</li> <li>Engine coolant temperature is insufficient for closed loop fuel control.</li> </ul>	<ul style="list-style-type: none"> <li>Harness or connectors (High resistance in the circuit)</li> <li>Engine coolant temperature sensor</li> <li>Thermostat</li> </ul>

### DTC Confirmation Procedure

INFOID:000000003936540

### CAUTION:

Be careful not to overheat engine.

### NOTE:

If DTC Confirmation Procedure has been previously conducted, always perform the following procedure before conducting the next step.

1. Turn ignition switch OFF and wait at least 10 seconds.
2. Turn ignition switch ON.
3. Turn ignition switch OFF and wait at least 10 seconds.

### ⓐ WITH CONSULT-III

1. Turn ignition switch ON.
2. Select "DATA MONITOR" mode with CONSULT-III.
3. Check that "COOLAN TEMP/S" indication is above 31°C (88°F).  
If it is above 31°C (88°F), the test result will be OK.  
If it is below 31°C (88°F), go to following step.
4. Start engine and run it for 65 minutes at idle speed.

# P0125 ECT SENSOR

[VK56DE]

## < COMPONENT DIAGNOSIS >

If "COOLAN TEMP/S" indication increases to more than 31°C (88°F) within 65 minutes, stop engine because the test result will be OK.

5. Check 1st trip DTC.
6. If 1st trip DTC is detected, go to [EC-614. "Diagnosis Procedure"](#).

### Ⓢ WITH GST

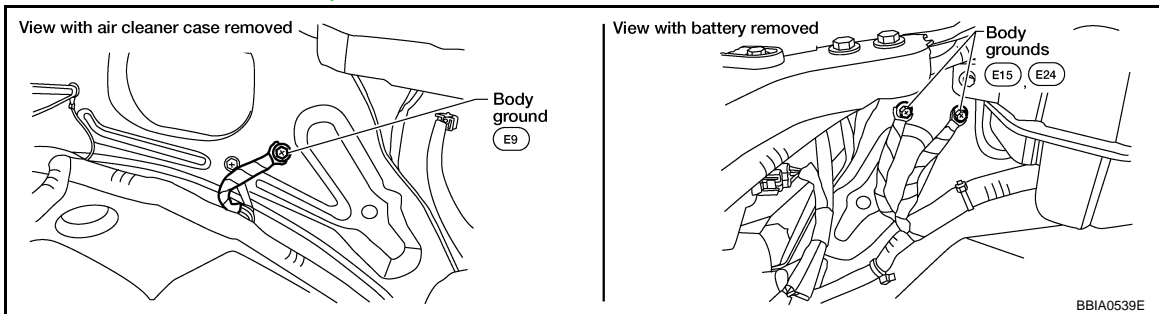
Follow the procedure "WITH CONSULT-III" above.

## Diagnosis Procedure

INFOID:000000003936541

### 1. CHECK GROUND CONNECTIONS

1. Turn ignition switch OFF.
2. Loosen and retighten ground screws on the body.  
Refer to [EC-568. "Ground Inspection"](#).



#### OK or NG

- OK >> GO TO 2.
- NG >> Repair or replace ground connections.

### 2. CHECK ENGINE COOLANT TEMPERATURE SENSOR

Refer to [EC-614. "Component Inspection"](#).

#### OK or NG

- OK >> GO TO 3.
- NG >> Replace engine coolant temperature sensor.

### 3. CHECK THERMOSTAT OPERATION

When the engine is cold [lower than 70°C (158°F)] condition, grasp lower radiator hose and check that the engine coolant does not flow.

#### OK or NG

- OK >> GO TO 4.
- NG >> Repair or replace thermostat. Refer to [CO-54. "Removal and Installation"](#).

### 4. CHECK INTERMITTENT INCIDENT

Refer to [GI-49. "Intermittent Incident"](#).

>> INSPECTION END

## Component Inspection

INFOID:000000004333348

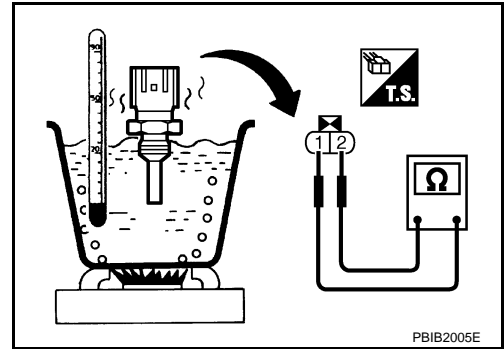
## ENGINE COOLANT TEMPERATURE SENSOR

# P0125 ECT SENSOR

[VK56DE]

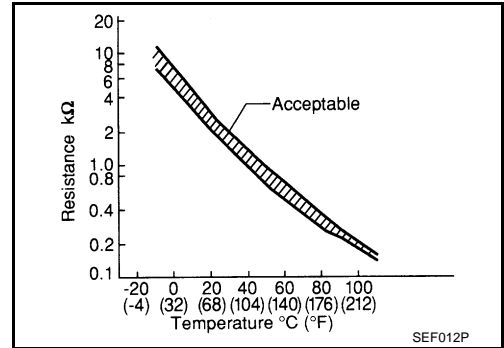
## < COMPONENT DIAGNOSIS >

1. Check resistance between engine coolant temperature sensor terminals 1 and 2 as shown in the figure.



Engine coolant temperature [°C (°F)]	Resistance (kΩ)
20 (68)	2.1 - 2.9
50 (122)	0.68 - 1.00
90 (194)	0.236 - 0.260

2. If NG, replace engine coolant temperature sensor.



A  
EC  
C  
D  
E  
F  
G  
H  
I  
J  
K  
L  
M  
N  
O  
P

# P0127 IAT SENSOR

< COMPONENT DIAGNOSIS >

[VK56DE]

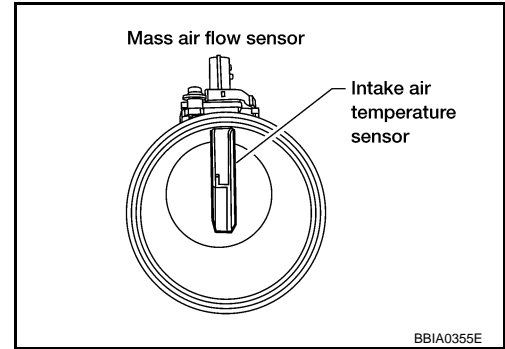
## P0127 IAT SENSOR

### Component Description

INFOID:000000004333339

The intake air temperature sensor is built-into the mass air flow sensor. The sensor detects intake air temperature and transmits a signal to the ECM.

The temperature sensing unit uses a thermistor which is sensitive to the change in temperature. Electrical resistance of the thermistor decreases in response to the rise in temperature.



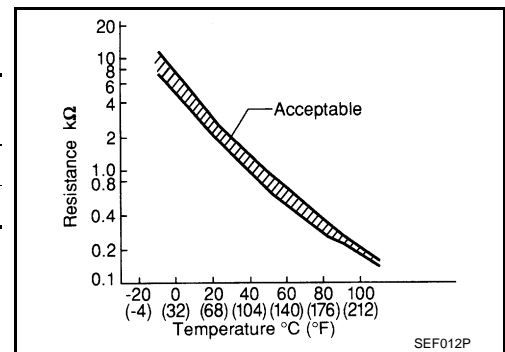
### <Reference data>

Intake air temperature [°C (°F)]	Voltage* (V)	Resistance (kΩ)
25 (77)	3.3	1.800 - 2.200
80 (176)	1.2	0.283 - 0.359

\*: This data is reference value and is measured between ECM terminal 34 (Intake air temperature sensor) and ground.

#### CAUTION:

**Never use ECM ground terminals when measuring input/output voltage. Doing so may result in damage to the ECM's transistor. Use a ground other than ECM terminals, such as the ground.**



### On Board Diagnosis Logic

INFOID:000000003936544

DTC No.	Trouble diagnosis name	DTC detecting condition	Possible cause
P0127 0127	Intake air temperature too high	Rationally incorrect voltage from the sensor is sent to ECM, compared with the voltage signal from engine coolant temperature sensor.	<ul style="list-style-type: none"> <li>• Harness or connectors (The sensor circuit is open or shorted)</li> <li>• Intake air temperature sensor</li> </ul>

### DTC Confirmation Procedure

INFOID:000000003936545

#### NOTE:

If DTC Confirmation Procedure has been previously conducted, always perform the following procedure before conducting the next step.

1. Turn ignition switch OFF and wait at least 10 seconds.
2. Turn ignition switch ON.
3. Turn ignition switch OFF and wait at least 10 seconds.

#### CAUTION:

**Always drive vehicle at a safe speed.**

#### TESTING CONDITION:

**This test may be conducted with the drive wheels lifted in the shop or by driving the vehicle. If a road test is expected to be easier, it is unnecessary to lift the vehicle.**

#### Ⓟ WITH CONSULT-III

1. Wait until engine coolant temperature is less than 90°C (194°F)
  - a. Turn ignition switch ON.
  - b. Select "DATA MONITOR" mode with CONSULT-III.
  - c. Check the engine coolant temperature.

# P0127 IAT SENSOR

[VK56DE]

## < COMPONENT DIAGNOSIS >

- d. If the engine coolant temperature is not less than 90°C (194°F), turn ignition switch OFF and cool down engine.
  - Perform the following steps before engine coolant temperature is above 90°C (194°F).
2. Turn ignition switch ON.
3. Select "DATA MONITOR" mode with CONSULT-III.
4. Start engine.
5. Hold vehicle speed at more than 70 km/h (43 MPH) for 100 consecutive seconds.
6. Check 1st trip DTC.
7. If 1st trip DTC is detected, go to [EC-617, "Diagnosis Procedure"](#).

### WITH GST

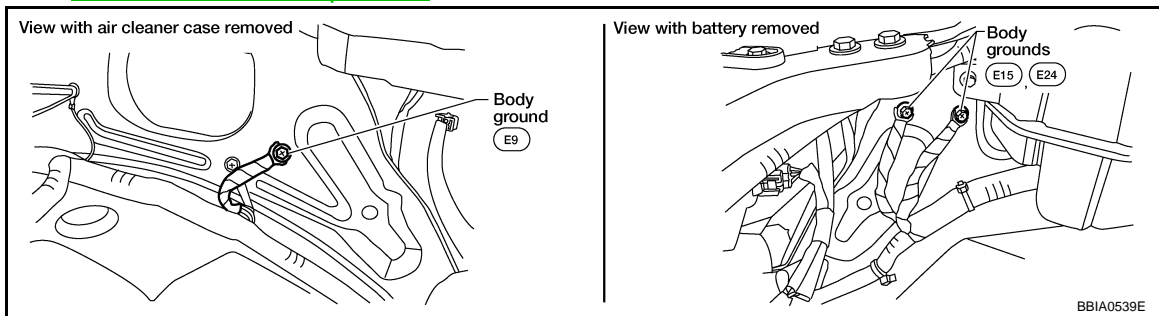
Follow the procedure "WITH CONSULT-III" above.

## Diagnosis Procedure

INFOID:000000003936546

### 1. CHECK GROUND CONNECTIONS

1. Turn ignition switch OFF.
2. Loosen and retighten ground screws on the body.  
Refer to [EC-568, "Ground Inspection"](#).



#### OK or NG

- OK >> GO TO 2.
- NG >> Repair or replace ground connections.

### 2. CHECK INTAKE AIR TEMPERATURE SENSOR

Refer to [EC-617, "Component Inspection"](#).

#### OK or NG

- OK >> GO TO 3.
- NG >> Replace mass air flow sensor (with intake air temperature sensor).

### 3. CHECK INTERMITTENT INCIDENT

Refer to [GI-49, "Intermittent Incident"](#).

>> **INSPECTION END**

## Component Inspection

INFOID:000000004333350

## INTAKE AIR TEMPERATURE SENSOR

# P0127 IAT SENSOR

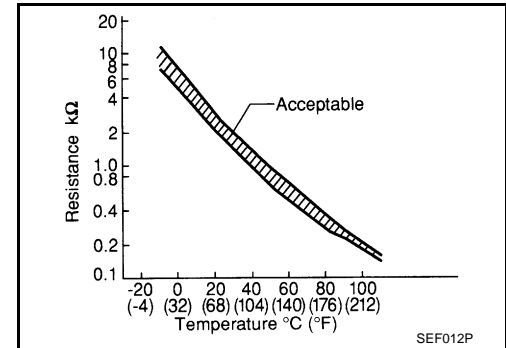
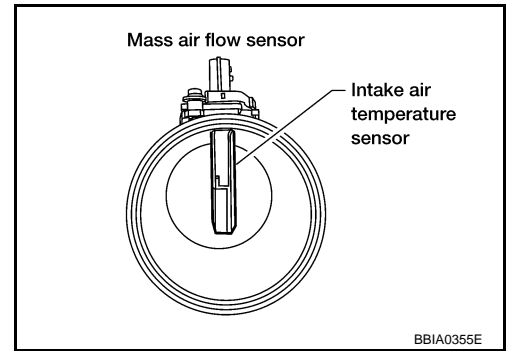
[VK56DE]

## < COMPONENT DIAGNOSIS >

1. Check resistance between intake air temperature sensor terminals 5 and 6 under the following conditions.

Intake air temperature [°C (°F)]	Resistance (kΩ)
25 (77)	1.800 - 2.200

2. If NG, replace mass air flow sensor (with intake air temperature sensor).



# P0128 THERMOSTAT FUNCTION

< COMPONENT DIAGNOSIS >

[VK56DE]

## P0128 THERMOSTAT FUNCTION

### On Board Diagnosis Logic

INFOID:000000003936548

#### NOTE:

If DTC P0128 is displayed with DTC P0300, P0301, P0302, P0303, P0304, P0305, P0306, P0307 or P0308, first perform the trouble diagnosis for DTC P0300, P0301, P0302, P0303, P0304, P0305, P0306, P0307, P0308. Refer to [EC-677, "DTC Confirmation Procedure"](#).

Engine coolant temperature has not risen enough to open the thermostat even though the engine has run long enough.

This is due to a leakage in the seal or the thermostat being stuck open.

DTC No.	Trouble diagnosis name	DTC detecting condition	Possible cause
P0128 0128	Thermostat function	The engine coolant temperature does not reach to specified temperature even though the engine has run long enough.	<ul style="list-style-type: none"><li>• Thermostat</li><li>• Leakage from sealing portion of thermostat</li><li>• Engine coolant temperature sensor</li></ul>

### DTC Confirmation Procedure

INFOID:000000003936549

#### NOTE:

If DTC Confirmation Procedure has been previously conducted, always perform the following procedure before conducting the next step.

1. Turn ignition switch OFF and wait at least 10 seconds.
2. Turn ignition switch ON.
3. Turn ignition switch OFF and wait at least 10 seconds.

#### Ⓜ WITH CONSULT-III

##### TESTING CONDITION:

- For best results, perform at ambient temperature of  $-10^{\circ}\text{C}$  ( $14^{\circ}\text{F}$ ) or higher.
- For best results, perform at engine coolant temperature of  $-10^{\circ}\text{C}$  ( $14^{\circ}\text{F}$ ) to  $56^{\circ}\text{C}$  ( $133^{\circ}\text{F}$ ).
- Before performing the following procedure, do not add fuel.

1. Turn A/C switch OFF.
2. Turn blower fan switch OFF.
3. Turn ignition switch ON.
4. Select "COOLAN TEMP/S" in "DATA MONITOR" mode with CONSULT-III.
5. Check the indication of "COOLAN TEMP/S".  
If it is below  $56^{\circ}\text{C}$  ( $133^{\circ}\text{F}$ ), go to next step.  
If it is above  $56^{\circ}\text{C}$  ( $133^{\circ}\text{F}$ ), cool down the engine to less than  $56^{\circ}\text{C}$  ( $133^{\circ}\text{F}$ ). Then go to next steps.
6. Start engine and drive vehicle for 10 consecutive minutes under the following conditions.

VHCL SPEED SE	More than 56 km/h (35 MP)
---------------	---------------------------

If "COOLAN TEMP/S" increases to more than  $75^{\circ}\text{C}$  ( $167^{\circ}\text{F}$ ) within 10 minutes, turn ignition switch OFF because the test result will be OK.

7. Check 1st trip DTC.
8. If 1st trip DTC is detected, go to [EC-619, "Diagnosis Procedure"](#).

#### Ⓜ WITH GST

Follow the procedure "WITH CONSULT-III" above.

### Diagnosis Procedure

INFOID:000000003936550

#### 1. CHECK ENGINE COOLANT TEMPERATURE SENSOR

Refer to [EC-620, "Component Inspection"](#).

OK or NG

# P0128 THERMOSTAT FUNCTION

[VK56DE]

< COMPONENT DIAGNOSIS >

- OK >> GO TO 2.
- NG >> Replace engine coolant temperature sensor.

## 2.CHECK THERMOSTAT

Refer to [CO-54. "Removal and Installation"](#).

OK or NG

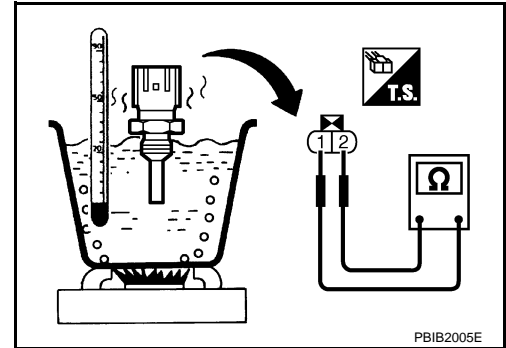
- OK >> **INSPECTION END**
- NG >> Replace thermostat.

### Component Inspection

INFOID:000000004354979

#### ENGINE COOLANT TEMPERATURE SENSOR

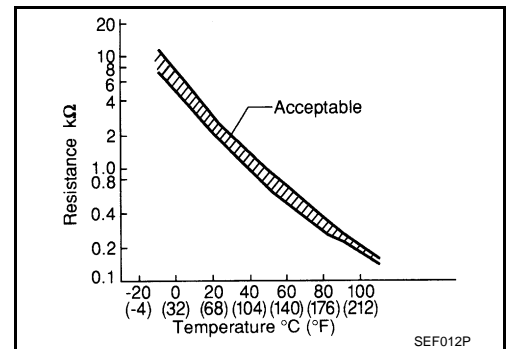
1. Check resistance between engine coolant temperature sensor terminals 1 and 2 as shown in the figure.



PBIB2005E

Engine coolant temperature [°C (°F)]	Resistance (kΩ)
20 (68)	2.1 - 2.9
50 (122)	0.68 - 1.00
90 (194)	0.236 - 0.260

2. If NG, replace engine coolant temperature sensor.



SEF012P

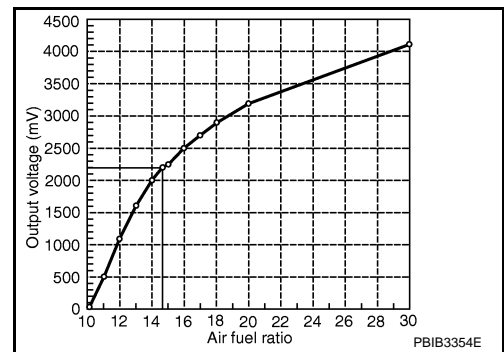
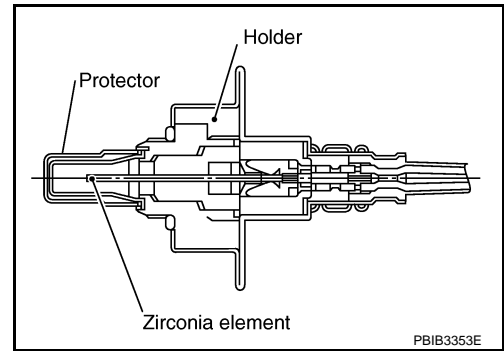


P0130, P0150 A/F SENSOR 1

Component Description

INFOID:000000003936552

The air fuel ratio (A/F) sensor 1 is a planar one-cell limit current sensor. The sensor element of the A/F sensor 1 is composed an electrode layer, which transports ions. It has a heater in the element. The sensor is capable of precise measurement  $\lambda = 1$ , but also in the lean and rich range. Together with its control electronics, the sensor outputs a clear, continuous signal throughout a wide  $\lambda$  range. The exhaust gas components diffuse through the diffusion layer at the sensor cell. An electrode layer is applied voltage, and this current relative oxygen density in lean. Also this current relative hydrocarbon density in rich. Therefore, the A/F sensor 1 is able to indicate air fuel ratio by this electrode layer of current. In addition, a heater is integrated in the sensor to ensure the required operating temperature of approximately 800°C (1,472°F).



On Board Diagnosis Logic

INFOID:000000003936553

To judge malfunctions, the diagnosis checks that the A/F signal computed by ECM from the A/F sensor 1 signal fluctuates according to fuel feedback control.

DTC No.	Trouble diagnosis name	DTC detecting condition		Possible cause
P0130 0130 (Bank 1)	Air fuel ratio (A/F) sensor 1 circuit	A)	The A/F signal computed by ECM from the A/F sensor 1 signal is constantly in a range other than approx. 2.2V.	<ul style="list-style-type: none"> <li>• Harness or connectors (The A/F sensor 1 circuit is open or shorted.)</li> <li>• Air fuel ratio (A/F) sensor 1</li> </ul>
P0150 0150 (Bank 2)		B)	The A/F signal computed by ECM from the A/F sensor 1 signal is constantly approx. 2.2V.	

DTC Confirmation Procedure

INFOID:000000003936554

Perform PROCEDURE FOR MALFUNCTION A first.

If the DTC cannot be confirmed, perform PROCEDURE FOR MALFUNCTION B.

NOTE:

If DTC Confirmation Procedure has been previously conducted, always perform the following before conducting the next step.

1. Turn ignition switch OFF and wait at least 10 seconds.
2. Turn ignition switch ON.
3. Turn ignition switch OFF and wait at least 10 seconds.

TESTING CONDITION:

Before performing the following procedure, confirm that battery voltage is more than 11 V at idle.

PROCEDURE FOR MALFUNCTION A

1. Start engine and warm it up to normal operating temperature.
2. Let engine idle for 2 minutes.
3. Check 1st trip DTC.
4. If 1st trip DTC is detected, go to [EC-622. "Diagnosis Procedure"](#).

PROCEDURE FOR MALFUNCTION B

< COMPONENT DIAGNOSIS >

**CAUTION:**

Always drive vehicle at a safe speed.

 With CONSULT-III

1. Start engine and warm it up to normal operating temperature.
2. Select "A/F SEN1 (B1)" or "A/F SEN1 (B2)" in "DATA MONITOR" mode with CONSULT-III.
3. Check "A/F SEN1 (B1)" or "A/F SEN1 (B2)" indication.  
If the indication is constantly approximately 2.2 V and does not fluctuate, go to [EC-622, "Diagnosis Procedure"](#).  
If the indication fluctuates approximately 2.2 V, go to next step.
4. Select "A/F SEN1 (B1) P1276" (for DTC P0130) or "A/F SEN1 (B2) P1286" (for DTC P0150) of "A/F SEN1" in "DTC WORK SUPPORT" mode with CONSULT-III.
5. Touch "START".
6. When the following conditions are met, "TESTING" will be displayed on the CONSULT-III screen.

ENG SPEED	850 - 3,200 rpm
VHCL SPEED SE	More than 64 km/h (40 MPH)
B/FUEL SCHDL	1.0 - 8.0 msec
Selector lever	D position

**If "TESTING" is not displayed after 20 seconds, retry from step 2.**

7. Release accelerator pedal fully.  
**NOTE:**  
Never apply brake when releasing the accelerator pedal.
8. Check that "TESTING" changes to "COMPLETED".  
**If "TESTING" changed to "OUT OF CONDITION", retry from step 6.**
9. Check that "OK" is displayed after touching "SELF-DIAG RESULT".  
If "NG" is displayed, go to [EC-622, "Diagnosis Procedure"](#).

## Overall Function Check

INFOID:000000003936555

### PROCEDURE FOR MALFUNCTION B

Use this procedure to check the overall function of the A/F sensor 1 circuit. During this check, a 1st trip DTC might not be confirmed.

 With GST

1. Start engine and warm it up to normal operating temperature.
2. Drive the vehicle at a speed of 80 km/h (50 MPH) for a few minutes in the suitable gear position.
3. Set selector lever to the D position, then release the accelerator pedal fully until the vehicle speed decreases to 50 km/h (31 MPH).  
**NOTE:**  
Never apply brake when releasing the accelerator pedal.
4. Repeat steps 2 and 3 for 5 times.
5. Stop the vehicle and turn ignition switch OFF.
6. Turn ignition switch ON.
7. Turn ignition switch OFF and wait at least 10 seconds.
8. Restart engine.
9. Repeat steps 2 and 3 for 5 times.
10. Stop the vehicle and connect GST to the vehicle.
11. Check that no 1st trip DTC is displayed.  
If the 1st trip DTC is displayed, go to [EC-622, "Diagnosis Procedure"](#).

## Diagnosis Procedure

INFOID:000000003936556

### 1. CHECK GROUND CONNECTIONS

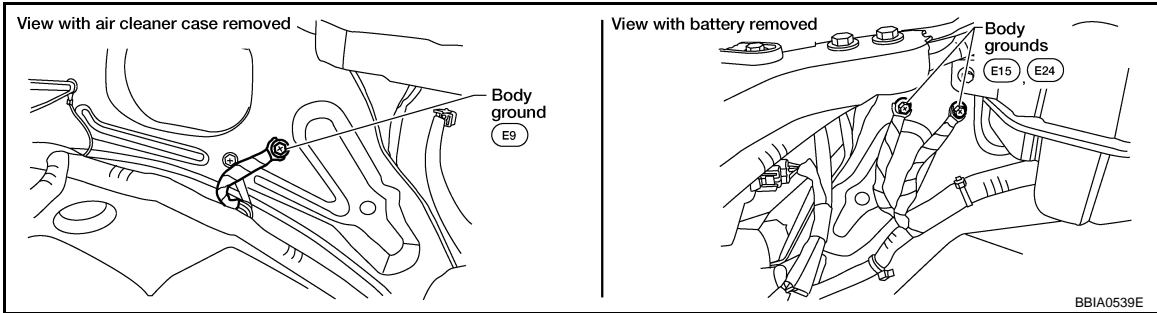
1. Turn ignition switch OFF.
2. Loosen and retighten ground screws on the body.

# P0130, P0150 A/F SENSOR 1

[VK56DE]

## < COMPONENT DIAGNOSIS >

Refer to [EC-568, "Ground Inspection"](#).



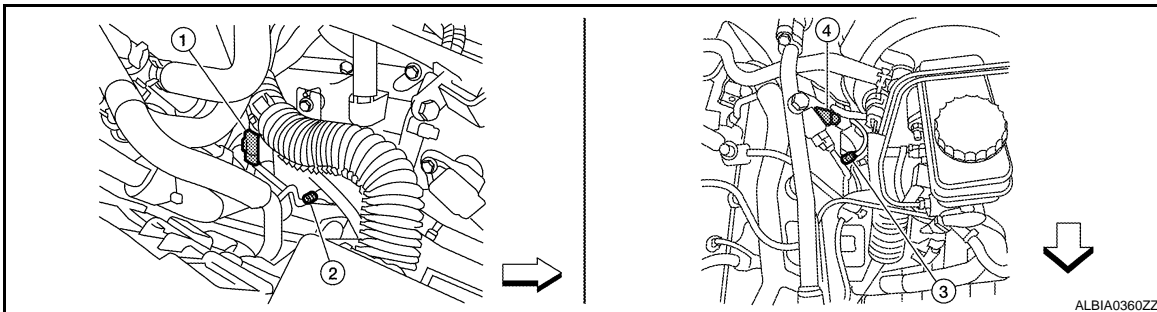
### OK or NG

OK >> GO TO 2.

NG >> Repair or replace ground connections.

## 2. CHECK AIR FUEL RATIO SENSOR 1 POWER SUPPLY CIRCUIT

1. Disconnect air fuel ratio (A/F) sensor 1 harness connector.



1. A/F sensor 1 (bank 2) harness connector
2. A/F sensor 1 (bank 2)
3. A/F sensor 1 (bank 1)
4. A/F sensor 1 (bank 1) harness connector

← : Vehicle front

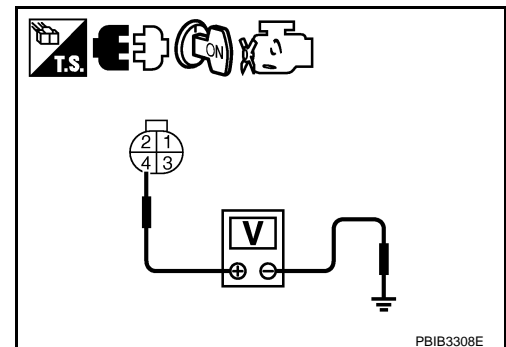
2. Turn ignition switch ON.
3. Check voltage between A/F sensor 1 terminal 4 and ground with CONSULT-III or tester.

**Voltage: Battery voltage**

### OK or NG

OK >> GO TO 4.

NG >> GO TO 3.



## 3. DETECT MALFUNCTIONING PART

Check the following.

- Harness connectors E2, F32
- IPDM E/R harness connector E119
- 15 A fuse (No. 54)
- Harness for open or short between A/F sensor 1 and IPDM E/R

>> Repair or replace harness or connectors.

## 4. CHECK A/F SENSOR 1 INPUT SIGNAL CIRCUIT FOR OPEN AND SHORT

1. Turn ignition switch OFF.
2. Disconnect ECM harness connector.
3. Check harness continuity between A/F sensor 1 terminals and ECM terminals as per the following.

# P0130, P0150 A/F SENSOR 1

[VK56DE]

## < COMPONENT DIAGNOSIS >

Refer to Wiring Diagram.

	A/F sensor 1 terminal	ECM terminal
Bank1	1	35
	2	56
Bank 2	1	16
	2	75

**Continuity should exist.**

4. Check harness continuity between the following terminals and ground.  
Refer to Wiring Diagram.

Bank 1		Bank 2	
A/F sensor 1 terminal	ECM terminal	A/F sensor 1 terminal	ECM terminal
1	35	1	16
2	56	2	75

**Continuity should not exist.**

5. Also check harness for short to power.

OK or NG

OK >> GO TO 5.

NG >> Repair open circuit or short to ground or short to power in harness or connectors.

## 5. CHECK INTERMITTENT INCIDENT

Perform [GI-49. "Intermittent Incident"](#).

OK or NG

OK >> GO TO 6.

NG >> Repair or replace malfunctioning part.

## 6. REPLACE A/F SENSOR 1

Replace malfunctioning A/F sensor 1.

**CAUTION:**

- Discard any A/F sensor which has been dropped from a height of more than 0.5 m (19.7 in) onto a hard surface such as a concrete floor; use a new one.
- Before installing new A/F sensor, clean exhaust system threads using Oxygen Sensor Thread Cleaner [Commercial service tool (J-43897-18 or J-43897-12)] and approved Anti-seize Lubricant (Commercial service tool).

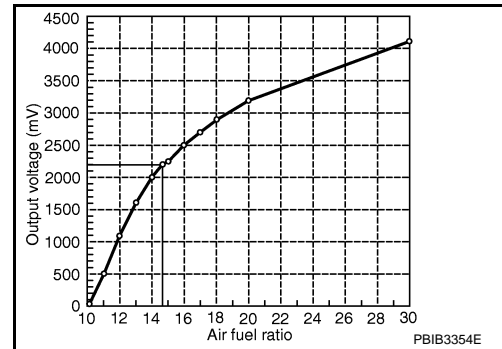
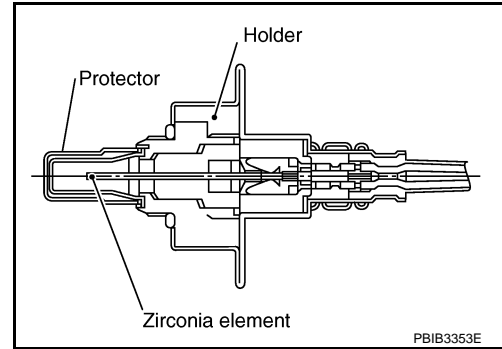
>> INSPECTION END

P0131, P0151 A/F SENSOR 1

Component Description

INFOID:000000004333352

The air fuel ratio (A/F) sensor 1 is a planar one-cell limit current sensor. The sensor element of the A/F sensor 1 is composed an electrode layer, which transports ions. It has a heater in the element. The sensor is capable of precise measurement  $\lambda = 1$ , but also in the lean and rich range. Together with its control electronics, the sensor outputs a clear, continuous signal throughout a wide  $\lambda$  range. The exhaust gas components diffuse through the diffusion layer at the sensor cell. An electrode layer is applied voltage, and this current relative oxygen density in lean. Also this current relative hydrocarbon density in rich. Therefore, the A/F sensor 1 is able to indicate air fuel ratio by this electrode layer of current. In addition, a heater is integrated in the sensor to ensure the required operating temperature of approximately 800°C (1,472°F).



On Board Diagnosis Logic

INFOID:0000000003936558

To judge malfunctions, the diagnosis checks that the A/F signal computed by ECM from the A/F sensor 1 signal is not inordinately low.

DTC No.	Trouble diagnosis name	DTC detecting condition	Possible cause
P0131 0131 (Bank 1)	Air fuel ratio (A/F) sensor 1 circuit low voltage	<ul style="list-style-type: none"> <li>The A/F signal computed by ECM from the A/F sensor 1 signal is constantly approx. 0V.</li> </ul>	<ul style="list-style-type: none"> <li>Harness or connectors (The A/F sensor 1 circuit is open or shorted.)</li> <li>Air fuel ratio (A/F) sensor 1</li> </ul>
P0151 0151 (Bank 2)			

DTC Confirmation Procedure

INFOID:0000000003936559

**NOTE:**

If DTC Confirmation Procedure has been previously conducted, always perform the following procedure before conducting the next step.

1. Turn ignition switch OFF and wait at least 10 seconds.
2. Turn ignition switch ON.
3. Turn ignition switch OFF and wait at least 10 seconds.

**TESTING CONDITION:**

Before performing the following procedure, confirm that battery voltage is more than 10.5 V at idle.

④ WITH CONSULT-III

1. Start engine and warm it up to normal operating temperature.
2. Select "A/F SEN1 (B1)" or "A/F SEN1 (B2)" in "DATA MONITOR" mode with CONSULT-III.
3. Check "A/F SEN1 (B1)" or "A/F SEN1 (B2)" indication.  
If the indication is constantly approximately 0 V, go to [EC-626. "Diagnosis Procedure"](#).  
If the indication is not constantly approximately 0 V, go to next step.
4. Turn ignition switch OFF and wait at least 10 seconds.
5. Turn ignition switch ON.

# P0131, P0151 A/F SENSOR 1

[VK56DE]

## < COMPONENT DIAGNOSIS >

6. Turn ignition switch OFF and wait at least 10 seconds.
7. Restart engine.
8. Drive and accelerate vehicle to more than 40 km/h (25 MPH) within 20 seconds after restarting engine.
9. Maintain the following conditions for approximately 20 consecutive seconds.

ENG SPEED	1,000 - 3,200 rpm
VHCL SPEED SE	More than 40 km/h (25 MPH)
B/FUEL SCHDL	1.5 - 9.0 msec
Selector lever	Suitable position

### NOTE:

- Keep the accelerator pedal as steady as possible during cruising.
- If this procedure is not completed within 1 minute after restarting engine at step 7, return to step 4.

10. Check 1st trip DTC.
11. If 1st trip DTC is displayed, go to [EC-626. "Diagnosis Procedure"](#).

### Ⓢ WITH GST

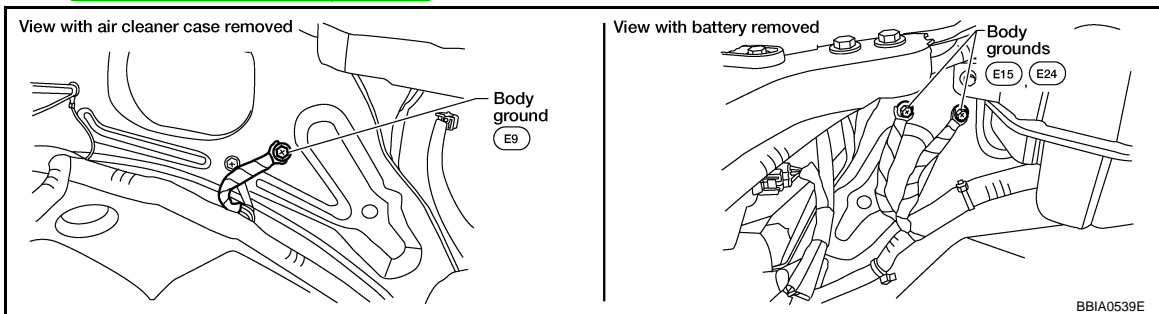
Follow the procedure "WITH CONSULT-III" above.

## Diagnosis Procedure

INFOID:000000003936560

### 1. CHECK GROUND CONNECTIONS

1. Turn ignition switch OFF.
2. Loosen and retighten ground screws on the body.  
Refer to [EC-568. "Ground Inspection"](#).

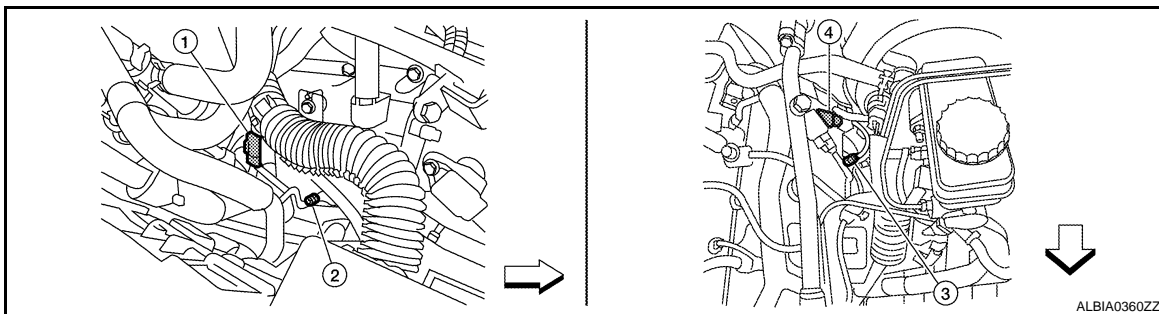


### OK or NG

- OK >> GO TO 2.  
 NG >> Repair or replace ground connections.

### 2. CHECK AIR FUEL RATIO SENSOR 1 POWER SUPPLY CIRCUIT

1. Disconnect air fuel ratio (A/F) sensor 1 harness connector.



1. A/F sensor 1 (bank 2) harness connector    2. A/F sensor 1 (bank 2)    3. A/F sensor 1 (bank 1)  
 4. A/F sensor 1 (bank 1) harness connector

↶ : Vehicle front

2. Turn ignition switch ON.

# P0131, P0151 A/F SENSOR 1

[VK56DE]

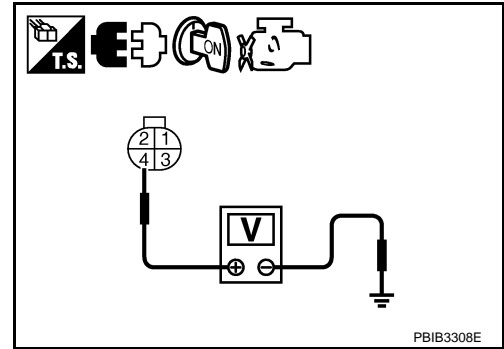
## < COMPONENT DIAGNOSIS >

- Check voltage between A/F sensor 1 terminal 4 and ground with CONSULT-III or tester.

**Voltage: Battery voltage**

### OK or NG

- OK >> GO TO 4.
- NG >> GO TO 3.



## 3. DETECT MALFUNCTIONING PART

Check the following.

- Harness connectors E2, F32
- IPDM E/R harness connector E119
- 15 A fuse (No. 54)
- Harness for open or short between A/F sensor 1 and IPDM E/R

>> Repair or replace harness or connectors.

## 4. CHECK A/F SENSOR 1 INPUT SIGNAL CIRCUIT FOR OPEN AND SHORT

- Turn ignition switch OFF.
- Disconnect ECM harness connector.
- Check harness continuity between A/F sensor 1 terminals and ECM terminals as per the following. Refer to Wiring Diagram.

	A/F sensor 1 terminal	ECM terminal
Bank1	1	35
	2	56
Bank 2	1	16
	2	75

**Continuity should exist.**

- Check harness continuity between the following terminals and ground. Refer to Wiring Diagram.

Bank 1		Bank 2	
A/F sensor 1 terminal	ECM terminal	A/F sensor 1 terminal	ECM terminal
1	35	1	16
2	56	2	75

**Continuity should not exist.**

- Also check harness for short to power.

### OK or NG

- OK >> GO TO 5.
- NG >> Repair open circuit or short to ground or short to power in harness or connectors.

## 5. CHECK INTERMITTENT INCIDENT

Perform [GI-49. "Intermittent Incident"](#).

### OK or NG

- OK >> GO TO 6.
- NG >> Repair or replace malfunctioning part.

## P0131, P0151 A/F SENSOR 1

< COMPONENT DIAGNOSIS >

[VK56DE]

### 6. REPLACE A/F SENSOR 1

Replace malfunctioning A/F sensor 1.

**CAUTION:**

- Discard any A/F sensor which has been dropped from a height of more than 0.5 m (19.7 in) onto a hard surface such as a concrete floor; use a new one.
- Before installing new A/F sensor, clean exhaust system threads using Oxygen Sensor Thread Cleaner [Commercial service tool (J-43897-18 or J-43897-12)] and approved Anti-seize Lubricant (Commercial service tool).

>> INSPECTION END

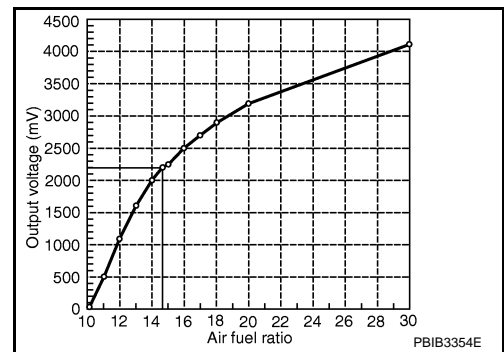
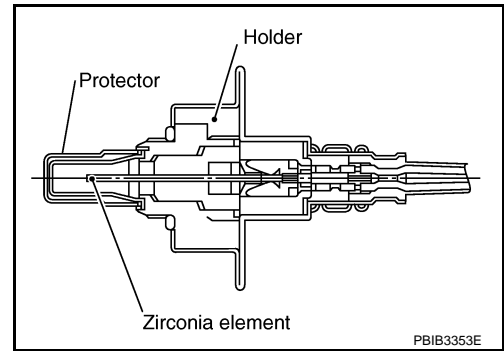


P0132, P0152 A/F SENSOR 1

Component Description

INFOID:000000004333351

The air fuel ratio (A/F) sensor 1 is a planar one-cell limit current sensor. The sensor element of the A/F sensor 1 is composed an electrode layer, which transports ions. It has a heater in the element. The sensor is capable of precise measurement  $\lambda = 1$ , but also in the lean and rich range. Together with its control electronics, the sensor outputs a clear, continuous signal throughout a wide  $\lambda$  range. The exhaust gas components diffuse through the diffusion layer at the sensor cell. An electrode layer is applied voltage, and this current relative oxygen density in lean. Also this current relative hydrocarbon density in rich. Therefore, the A/F sensor 1 is able to indicate air fuel ratio by this electrode layer of current. In addition, a heater is integrated in the sensor to ensure the required operating temperature of approximately 800°C (1,472°F).



On Board Diagnosis Logic

INFOID:000000003936562

To judge malfunctions, the diagnosis checks that the A/F signal computed by ECM from the A/F sensor 1 signal is not inordinately high.

DTC No.	Trouble diagnosis name	DTC detecting condition	Possible cause
P0132 0132 (Bank 1)	Air fuel ratio (A/F) sensor 1 circuit high voltage	<ul style="list-style-type: none"> <li>The A/F signal computed by ECM from the A/F sensor 1 signal is constantly approx. 5 V.</li> </ul>	<ul style="list-style-type: none"> <li>Harness or connectors (The A/F sensor 1 circuit is open or shorted.)</li> <li>Air fuel ratio (A/F) sensor 1</li> </ul>
P0152 0152 (Bank 2)			

DTC Confirmation Procedure

INFOID:000000003936563

**NOTE:**

If DTC Confirmation Procedure has been previously conducted, always perform the following procedure before conducting the next step.

1. Turn ignition switch OFF and wait at least 10 seconds.
2. Turn ignition switch ON.
3. Turn ignition switch OFF and wait at least 10 seconds.

**TESTING CONDITION:**

Before performing the following procedure, confirm that battery voltage is more than 10.5 V at idle.

WITH CONSULT-III

1. Start engine and warm it up to normal operating temperature.
2. Select "A/F SEN1 (B1)" or "A/F SEN1 (B2)" in "DATA MONITOR" mode with CONSULT-III.
3. Check "A/F SEN1 (B1)" or "A/F SEN1 (B2)" indication.  
If the indication is constantly approximately 5 V, go to [EC-630. "Diagnosis Procedure"](#).  
If the indication is not constantly approximately 5 V, go to next step.
4. Turn ignition switch OFF and wait at least 10 seconds.
5. Turn ignition switch ON.

# P0132, P0152 A/F SENSOR 1

[VK56DE]

## < COMPONENT DIAGNOSIS >

6. Turn ignition switch OFF and wait at least 10 seconds.
7. Restart engine.
8. Drive and accelerate vehicle to more than 40 km/h (25 MPH) within 20 seconds after restarting engine.
9. Maintain the following conditions for approximately 20 consecutive seconds.

ENG SPEED	1,000 - 3,200 rpm
VHCL SPEED SE	More than 40 km/h (25 MPH)
B/FUEL SCHDL	1.5 - 9.0 msec
Gear position	Suitable position

### NOTE:

- Keep the accelerator pedal as steady as possible during cruising.
- If this procedure is not completed within 1 minute after restarting engine at step 7, return to step 4.

10. Check 1st trip DTC.
11. If 1st trip DTC is displayed, go to [EC-630. "Diagnosis Procedure"](#).

### Ⓢ WITH GST

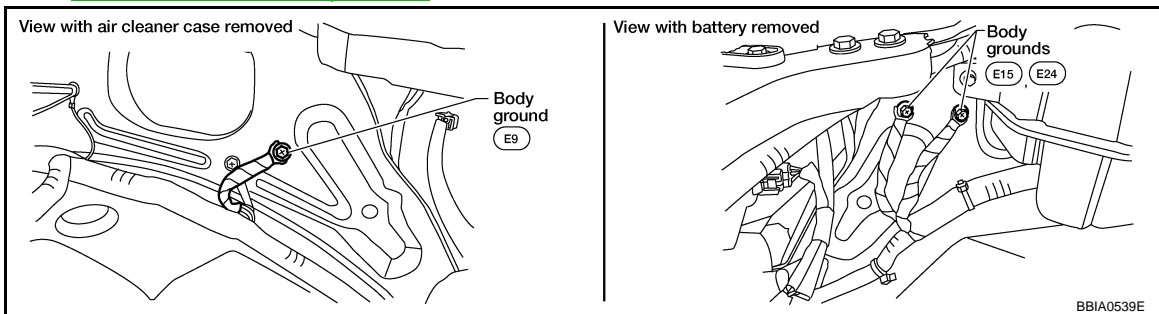
Follow the procedure "WITH CONSULT-III" above.

## Diagnosis Procedure

INFOID:000000003936564

### 1. CHECK GROUND CONNECTIONS

1. Turn ignition switch OFF.
2. Loosen and retighten ground screws on the body.  
Refer to [EC-568. "Ground Inspection"](#).

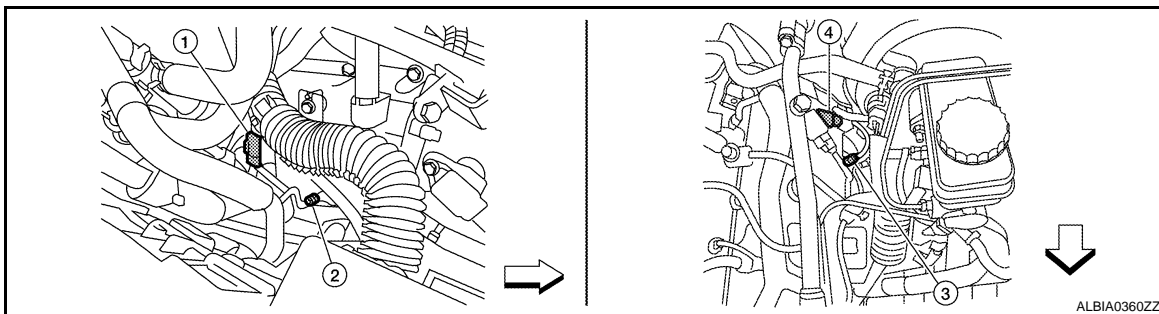


### OK or NG

- OK >> GO TO 2.  
 NG >> Repair or replace ground connections.

### 2. CHECK AIR FUEL RATIO SENSOR 1 POWER SUPPLY CIRCUIT

1. Disconnect air fuel ratio (A/F) sensor 1 harness connector.



1. A/F sensor 1 (bank 2) harness connector
2. A/F sensor 1 (bank 2)
3. A/F sensor 1 (bank 1)
4. A/F sensor 1 (bank 1) harness connector

↶ : Vehicle front

2. Turn ignition switch ON.

# P0132, P0152 A/F SENSOR 1

[VK56DE]

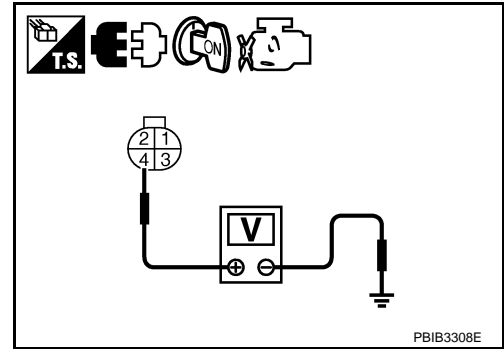
## < COMPONENT DIAGNOSIS >

- Check voltage between A/F sensor 1 terminal 4 and ground with CONSULT-III or tester.

**Voltage: Battery voltage**

### OK or NG

- OK >> GO TO 4.
- NG >> GO TO 3.



## 3. DETECT MALFUNCTIONING PART

Check the following.

- Harness connectors E2, F32
- IPDM E/R harness connector E119
- 15 A fuse (No. 54)
- Harness for open or short between A/F sensor 1 and IPDM E/R

>> Repair or replace harness or connectors.

## 4. CHECK A/F SENSOR 1 INPUT SIGNAL CIRCUIT FOR OPEN AND SHORT

- Turn ignition switch OFF.
- Disconnect ECM harness connector.
- Check harness continuity between A/F sensor 1 terminals and ECM terminals as per the following. Refer to Wiring Diagram.

	A/F sensor 1 terminal	ECM terminal
Bank1	1	35
	2	56
Bank 2	1	16
	2	75

**Continuity should exist.**

- Check harness continuity between the following terminals and ground. Refer to Wiring Diagram.

Bank 1		Bank 2	
A/F sensor 1 terminal	ECM terminal	A/F sensor 1 terminal	ECM terminal
1	35	1	16
2	56	2	75

**Continuity should not exist.**

- Also check harness for short to power.

### OK or NG

- OK >> GO TO 5.
- NG >> Repair open circuit or short to ground or short to power in harness or connectors.

## 5. CHECK INTERMITTENT INCIDENT

Perform [GI-49. "Intermittent Incident"](#).

### OK or NG

- OK >> GO TO 6.
- NG >> Repair or replace malfunctioning part.

## P0132, P0152 A/F SENSOR 1

< COMPONENT DIAGNOSIS >

[VK56DE]

### 6. REPLACE A/F SENSOR 1

Replace malfunctioning A/F sensor 1.

**CAUTION:**

- Discard any A/F sensor which has been dropped from a height of more than 0.5 m (19.7 in) onto a hard surface such as a concrete floor; use a new one.
- Before installing new A/F sensor, clean exhaust system threads using Oxygen Sensor Thread Cleaner [Commercial service tool (J-43897-18 or J-43897-12)] and approved Anti-seize Lubricant (Commercial service tool).

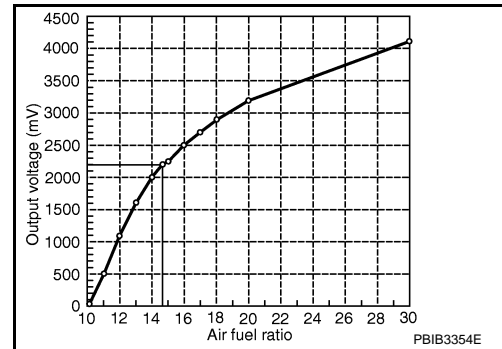
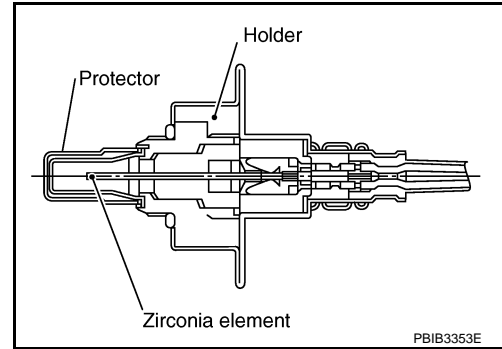
>> INSPECTION END

P0133, P0153 A/F SENSOR 1

Component Description

INFOID:000000004333353

The air fuel ratio (A/F) sensor 1 is a planar one-cell limit current sensor. The sensor element of the A/F sensor 1 is composed an electrode layer, which transports ions. It has a heater in the element. The sensor is capable of precise measurement  $\lambda = 1$ , but also in the lean and rich range. Together with its control electronics, the sensor outputs a clear, continuous signal throughout a wide  $\lambda$  range. The exhaust gas components diffuse through the diffusion layer at the sensor cell. An electrode layer is applied voltage, and this current relative oxygen density in lean. Also this current relative hydrocarbon density in rich. Therefore, the A/F sensor 1 is able to indicate air fuel ratio by this electrode layer of current. In addition, a heater is integrated in the sensor to ensure the required operating temperature of approximately 800°C (1,472°F).



On Board Diagnosis Logic

INFOID:0000000003936566

To judge malfunctions, this diagnosis measures response time of the A/F signal computed by ECM from the A/F sensor 1 signal. The time is compensated by engine operating (speed and load), fuel feedback control constant, and the A/F sensor 1 temperature index. Judgment is based on whether the compensated time (the A/F signal cycling time index) is inordinately long or not.

DTC No.	Trouble diagnosis name	DTC detecting condition	Possible cause
P0133 0133 (Bank 1)	Air fuel ratio (A/F) sensor 1 circuit slow response	<ul style="list-style-type: none"> <li>The response of the A/F signal computed by ECM from A/F sensor 1 signal takes more than the specified time.</li> </ul>	<ul style="list-style-type: none"> <li>Harness or connectors (The A/F sensor 1 circuit is open or shorted.)</li> <li>A/F sensor 1</li> <li>A/F sensor 1 heater</li> <li>Fuel pressure</li> <li>Fuel injector</li> <li>Intake air leakage</li> <li>Exhaust gas leakage</li> <li>PCV</li> <li>Mass air flow sensor</li> </ul>
P0153 0153 (Bank 2)			

DTC Confirmation Procedure

INFOID:0000000003936567

NOTE:

If DTC Confirmation Procedure has been previously conducted, always perform the following procedure before conducting the next step.

1. Turn ignition switch OFF and wait at least 10 seconds.
2. Turn ignition switch ON.
3. Turn ignition switch OFF and wait at least 10 seconds.

TESTING CONDITION:

Before performing the following procedure, confirm that battery voltage is more than 11 V at idle.

Ⓟ WITH CONSULT-III

1. Start engine and warm it up to normal operating temperature.

## < COMPONENT DIAGNOSIS >

2. Turn ignition switch OFF and wait at least 10 seconds.
3. Turn ignition switch ON.
4. Turn ignition switch OFF and wait at least 10 seconds.
5. Start engine and keep the engine speed between 3,500 and 4,000 rpm for at least 1 minute under no load.
6. Let engine idle for 1 minute.
7. Select "A/F SEN1(B1) P1278/P1279" (for DTC P0133) or "A/F SEN1(B2) P1288/P1289" (for DTC P0153) of "A/F SEN1" in "DTC WORK SUPPORT" mode with CONSULT-III.
8. Touch "START".  
If "COMPLETED" appears on CONSULT-III screen, go to step 10.  
If "COMPLETED" does not appear on CONSULT-III screen, go to the following step.
9. After perform the following procedure, "TESTING" will be displayed on the CONSULT-III screen.
  - a. Increase the engine speed up to between 4,000 and 5,000 rpm and maintain that speed for 10 seconds.
  - b. Fully release accelerator pedal and then let engine idle for approximately 10 seconds.  
**If "TESTING" is not displayed after 10 seconds, go to [EC-557, "Inspection Procedure"](#).**
10. Wait for approximately 20 seconds at idle under the condition that "TESTING" is displayed on the CONSULT-III screen.
11. Check that "TESTING" changes to "COMPLETED".  
**If "TESTING" changed to "OUT OF CONDITION", go to [EC-557, "Inspection Procedure"](#).**
12. Check that "OK" is displayed after touching "SELF-DIAG RESULT".  
If "NG" is displayed, go to [EC-634, "Diagnosis Procedure"](#).

## WITH GST

1. Start engine and warm it up to normal operating temperature.
2. Select Service \$01 with GST.
3. Calculate the total value of "Short-term fuel trim" and "Long-term fuel trim" indications.  
Check that the total percentage should be within  $\pm 15\%$ .  
If OK, go to the following step.  
If NG, check the following.
  - Intake air leakage
  - Exhaust gas leakage
  - Incorrect fuel pressure
  - Lack of fuel
  - Fuel injector
  - Incorrect PCV hose connection
  - PCV valve
  - Mass air flow sensor
4. Turn ignition switch OFF and wait at least 10 seconds.
5. Turn ignition switch ON.
6. Turn ignition switch OFF and wait at least 10 seconds.
7. Start engine and keep the engine speed between 3,500 and 4,000 rpm for at least 1 minute under no load.
8. Let engine idle for 1 minute.
9. Increase the engine speed up to between 4,000 and 5,000 rpm and maintain that speed for 10 seconds.
10. Fully release accelerator pedal and then let engine idle for approximately 1 minute.
11. Select Service \$07 with GST.  
If the 1st trip DTC is displayed, go to [EC-634, "Diagnosis Procedure"](#).

## Diagnosis Procedure

INFOID:000000003936568

### 1. CHECK GROUND CONNECTIONS

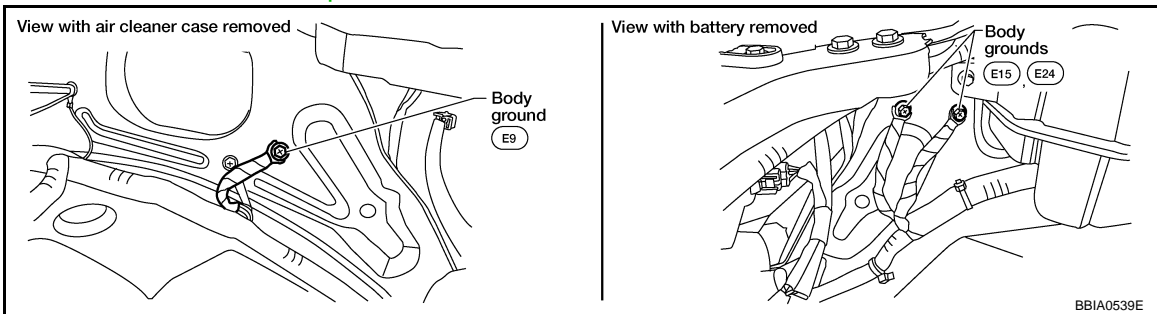
1. Turn ignition switch OFF.
2. Loosen and retighten ground screws on the body.

# P0133, P0153 A/F SENSOR 1

< COMPONENT DIAGNOSIS >

[VK56DE]

Refer to [EC-568, "Ground Inspection"](#).



OK or NG

- OK >> GO TO 2.
- NG >> Repair or replace ground connections.

## 2. RETIGHTEN AIR FUEL RATIO SENSOR 1

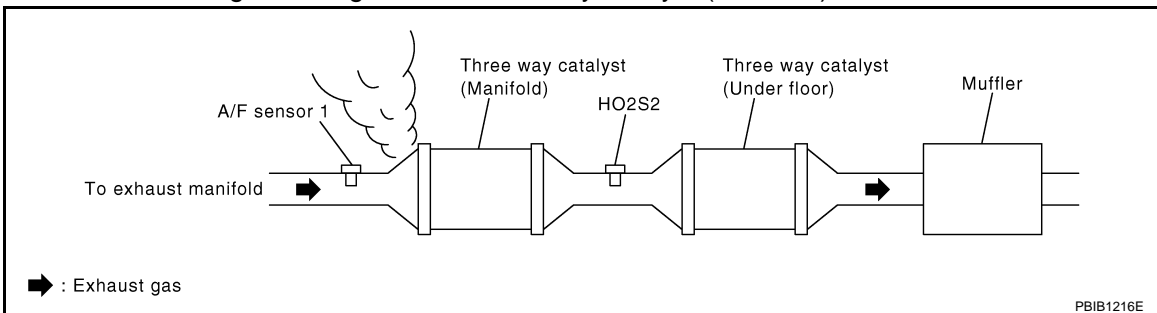
Loosen and retighten air fuel ratio (A/F) sensor 1.

Refer to [EM-172, "Removal and Installation"](#).

>> GO TO 3.

## 3. CHECK EXHAUST GAS LEAKAGE

1. Start engine and run it at idle.
2. Listen for an exhaust gas leakage before three way catalyst (manifold).



OK or NG

- OK >> GO TO 4.
- NG >> Repair or replace malfunctioning part.

## 4. CHECK FOR INTAKE AIR LEAKAGE

Listen for an intake air leakage after the mass air flow sensor.

OK or NG

- OK >> GO TO 5.
- NG >> Repair or replace malfunctioning part.

## 5. CLEAR THE SELF-LEARNING DATA

### ☑ With CONSULT-III

1. Start engine and warm it up to normal operating temperature.
2. Select "SELF-LEARNING CONT" in "WORK SUPPORT" mode with CONSULT-III.
3. Clear the self-learning control coefficient by touching "CLEAR" or "START".
4. Run engine for at least 10 minutes at idle speed.

**Is the 1st trip DTC P0171, P172, P0174 or P0175 detected? Is it difficult to start engine?**

### ☒ Without CONSULT-III

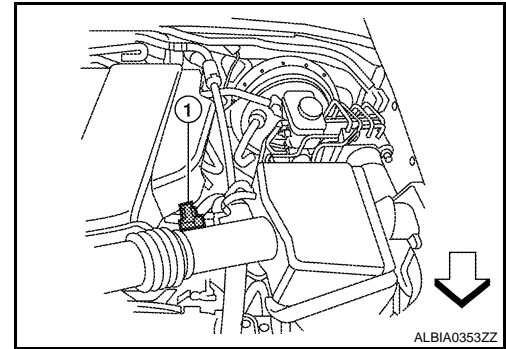
1. Start engine and warm it up to normal operating temperature.
2. Turn ignition switch OFF.

# P0133, P0153 A/F SENSOR 1

[VK56DE]

## < COMPONENT DIAGNOSIS >

3. Disconnect mass air flow sensor (1) harness connector.  
- ⇐: Vehicle front
4. Restart engine and let it idle for at least 5 seconds.
5. Stop engine and reconnect mass air flow sensor harness connector.
6. Check that DTC P0102 is displayed.
7. Erase the DTC memory. Refer to [EC-525, "Emission-related Diagnostic Information"](#).
8. Check that DTC P0000 is displayed.
9. Run engine for at least 10 minutes at idle speed.  
**Is the 1st trip DTC P0171, P0172, P0174 or P0175 detected?**  
**Is it difficult to start engine?**

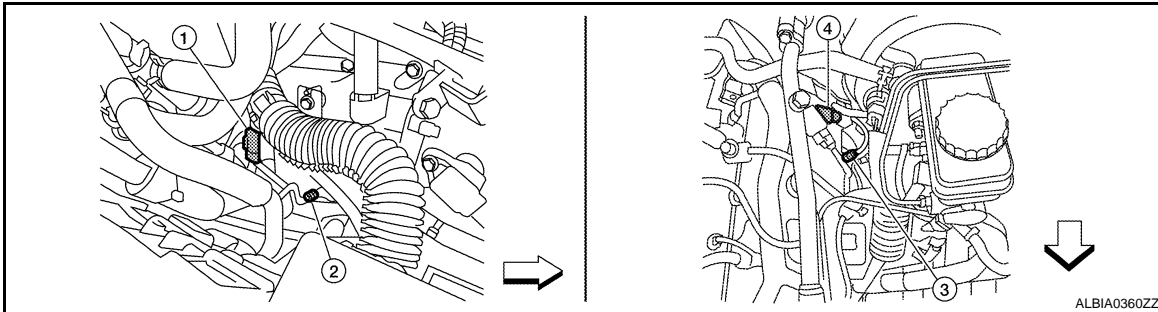


### Yes or No

- Yes >> Perform trouble diagnosis for DTC P0171, P0174 or P0172, P0175. Refer to [EC-659, "Diagnosis Procedure"](#) or [EC-663, "Diagnosis Procedure"](#).
- No >> GO TO 6.

## 6. CHECK A/F SENSOR 1 POWER SUPPLY CIRCUIT

1. Turn ignition switch OFF.
2. Disconnect A/F sensor 1 harness connector.



1. A/F sensor 1 (bank 2) harness connector    2. A/F sensor 1 (bank 2)  
4. A/F sensor 1 (bank 1) harness connector    3. A/F sensor 1 (bank 1)

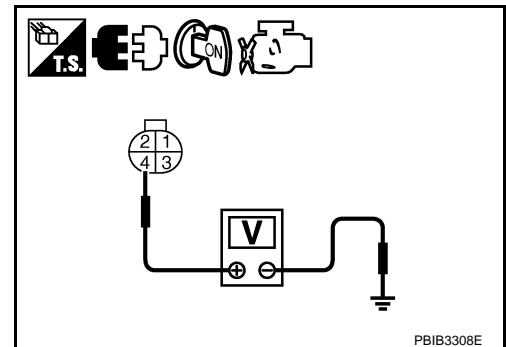
⇐ : Vehicle front

3. Turn ignition switch ON.
4. Check voltage between A/F sensor 1 terminal 4 and ground with CONSULT-III or tester.

**Voltage: Battery voltage**

### OK or NG

- OK >> GO TO 8.  
NG >> GO TO 7.



## 7. DETECT MALFUNCTIONING PART

Check the following.

- Harness connectors E2, F32
- IPDM E/R harness connector E119
- 15 A fuse (No. 54)
- Harness for open or short between A/F sensor 1 and IPDM E/R

>> Repair or replace harness or connectors.

## 8. CHECK A/F SENSOR 1 INPUT SIGNAL CIRCUIT FOR OPEN AND SHORT



# P0133, P0153 A/F SENSOR 1

[VK56DE]

## < COMPONENT DIAGNOSIS >

1. Turn ignition switch OFF.
2. Disconnect ECM harness connector.
3. Check harness continuity between A/F sensor 1 terminals and ECM terminals as per the following. Refer to Wiring Diagram.

	A/F sensor 1 terminal	ECM terminal
Bank1	1	35
	2	56
Bank 2	1	16
	2	75

**Continuity should exist.**

4. Check harness continuity between the following terminals and ground. Refer to Wiring Diagram.

Bank 1		Bank 2	
A/F sensor 1 terminal	ECM terminal	A/F sensor 1 terminal	ECM terminal
1	35	1	16
2	56	2	75

**Continuity should not exist.**

5. Also check harness for short to power.

OK or NG

OK >> GO TO 9.

NG >> Repair open circuit or short to ground or short to power in harness or connectors.

## 9. CHECK A/F SENSOR 1 HEATER

Refer to [EC-580. "Component Inspection"](#).

OK or NG

OK >> GO TO 10.

NG >> GO TO 13.

## 10. CHECK MASS AIR FLOW SENSOR

Refer to [EC-596. "Component Inspection"](#).

OK or NG

OK >> GO TO 11.

NG >> Replace mass air flow sensor.

## 11. CHECK PCV VALVE

Refer to [EC-882. "Component Inspection"](#).

OK or NG

OK >> GO TO 12.

NG >> Repair or replace PCV valve.

## 12. CHECK INTERMITTENT INCIDENT

Perform [GI-49. "Intermittent Incident"](#).

OK or NG

OK >> GO TO 13.

NG >> Repair or replace malfunctioning part.

## 13. REPLACE A/F SENSOR 1

Replace malfunctioning A/F sensor 1.

**CAUTION:**

## P0133, P0153 A/F SENSOR 1

< COMPONENT DIAGNOSIS >

[VK56DE]

- Discard any A/F sensor which has been dropped from a height of more than 0.5 m (19.7 in) onto a hard surface such as a concrete floor; use a new one.
- Before installing new A/F sensor, clean exhaust system threads using Oxygen Sensor Thread Cleaner [Commercial service tool (J-43897-18 or J-43897-12)] and approved Anti-seize Lubricant (Commercial service tool).

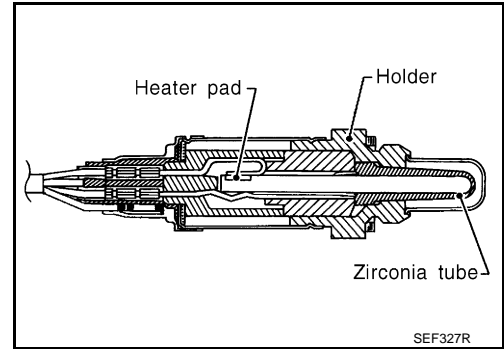
>> INSPECTION END

P0137, P0157 HO2S2

Component Description

INFOID:000000003936569

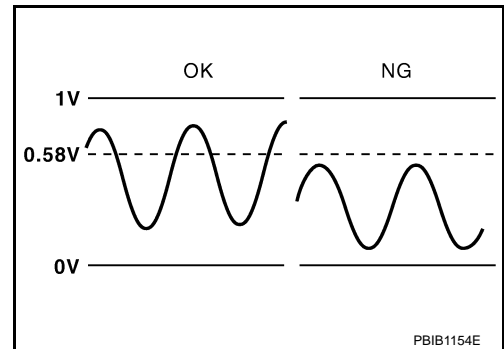
The heated oxygen sensor 2, after three way catalyst (manifold), monitors the oxygen level in the exhaust gas on each bank. Even if switching characteristics of the air fuel ratio (A/F) sensor 1 are shifted, the air-fuel ratio is controlled to stoichiometric, by the signal from the heated oxygen sensor 2. This sensor is made of ceramic zirconia. The zirconia generates voltage from approximately 1 V in richer conditions to 0 V in leaner conditions. Under normal conditions the heated oxygen sensor 2 is not used for engine control operation.



On Board Diagnosis Logic

INFOID:000000003936570

The heated oxygen sensor 2 has a much longer switching time between rich and lean than the air fuel ratio (A/F) sensor 1. The oxygen storage capacity of the three way catalyst (manifold) causes the longer switching time. To judge malfunctions of heated oxygen sensor 2, ECM monitors whether the maximum voltage of the sensor is sufficiently high during various driving conditions such as fuel cut.



DTC No.	Trouble diagnosis name	DTC detecting condition	Possible cause
P0137 0137 (Bank 1)	Heated oxygen sensor 2 circuit low voltage	The maximum voltage from the sensor does not reach the specified voltage.	<ul style="list-style-type: none"> <li>• Harness or connectors (The sensor circuit is open or shorted)</li> <li>• Heated oxygen sensor 2</li> <li>• Fuel pressure</li> <li>• Fuel injector</li> <li>• Intake air leakage</li> </ul>
P0157 0157 (Bank 2)			

DTC Confirmation Procedure

INFOID:000000003936571

NOTE:

If DTC Confirmation Procedure has been previously conducted, always perform the following procedure before conducting the next step.

1. Turn ignition switch OFF and wait at least 10 seconds.
2. Turn ignition switch ON.
3. Turn ignition switch OFF and wait at least 10 seconds.

WITH CONSULT-III

TESTING CONDITION:

For better results, perform "DTC WORK SUPPORT" at a temperature of 0 to 30°C (32 to 86°F).

1. Turn ignition switch ON and select "DATA MONITOR" mode with CONSULT-III.
2. Start engine and warm it up to the normal operating temperature.
3. Turn ignition switch OFF and wait at least 10 seconds.
4. Turn ignition switch ON.
5. Turn ignition switch OFF and wait at least 10 seconds.
6. Start engine and keep the engine speed between 3,500 and 4,000 rpm for at least 1 minute under no load.
7. Let engine idle for 1 minute.

< COMPONENT DIAGNOSIS >

8. Check that "COOLAN TEMP/S" indicates more than 70°C (158°F).  
If not, warm up engine and go to next step when "COOLAN TEMP/S" indication reaches 70°C (158°F).
9. Open engine hood.
10. Select "HO2S2 (B1) P1147" (for DTC P0137) or "HO2S2 (B2) P1167" (for DTC P0157) of "HO2S2" in "DTC WORK SUPPORT" mode with CONSULT-III.
11. Follow the instructions displayed.  
**NOTE:**  
It will take at most 10 minutes until "COMPLETED" is displayed.
12. Check that "OK" is displayed after touching "SELF-DIAG RESULTS".  
If "NG" is displayed, go to [EC-640, "Diagnosis Procedure"](#).  
If "CAN NOT BE DIAGNOSED" is displayed, perform the following procedure.
  - a. Turn ignition switch OFF and leave the vehicle in a cool place (soak the vehicle).
  - b. Return to step 1.

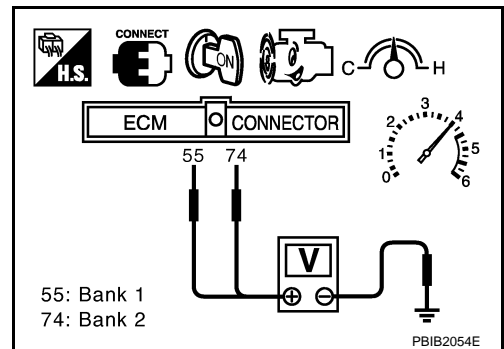
Overall Function Check

INFOID:000000003936572

Use this procedure to check the overall function of the heated oxygen sensor 2 circuit. During this check, a 1st trip DTC might not be confirmed.

 WITH GST

1. Start engine and warm it up to the normal operating temperature.
2. Turn ignition switch OFF and wait at least 10 seconds.
3. Start engine and keep the engine speed between 3,500 and 4,000 rpm for at least 1 minute under no load.
4. Let engine idle for 1 minute.
5. Set voltmeter probes between ECM terminal 55 [HO2S2 (B1) signal] and ground, or 74 [HO2S2 (B2) signal] and ground.
6. Check the voltage when revving up to 4,000 rpm under no load at least 10 times.  
(Depress and release accelerator pedal as soon as possible.)  
**The voltage should be above 0.58V at least once during this procedure.**  
**If the voltage can be confirmed in step 6, step 7 is not necessary.**
7. Keep vehicle at idling for 10 minutes, then check the voltage. Or check the voltage when coasting from 80 km/h (50 MPH) in the D position.  
**The voltage should be above 0.58V at least once during this procedure.**
8. If NG, go to [EC-640, "Diagnosis Procedure"](#).

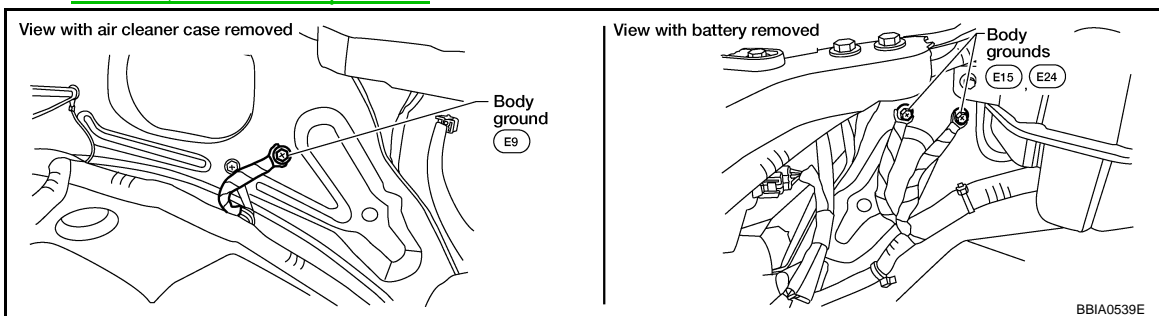


Diagnosis Procedure

INFOID:000000003936573

1. CHECK GROUND CONNECTIONS

1. Turn ignition switch OFF.
2. Loosen and retighten ground screws on the body.  
Refer to [EC-568, "Ground Inspection"](#).



OK or NG

< COMPONENT DIAGNOSIS >

- OK >> GO TO 2.
- NG >> Repair or replace ground connections.

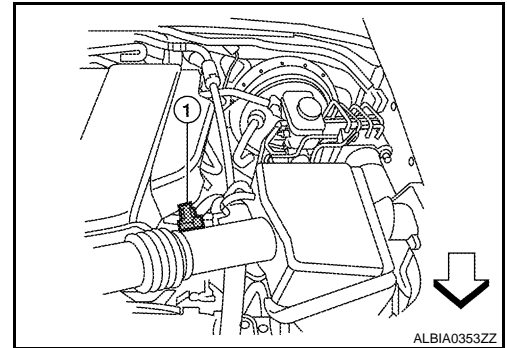
**2. CLEAR THE SELF-LEARNING DATA**

**With CONSULT-III**

1. Start engine and warm it up to normal operating temperature.
2. Select "SELF-LEARNING CONT" in "WORK SUPPORT" mode with CONSULT-III.
3. Clear the self-learning control coefficient by touching "CLEAR".
4. Run engine for at least 10 minutes at idle speed.  
**Is the 1st trip DTC P0171 or P0174 detected?**  
**Is it difficult to start engine?**

**Without CONSULT-III**

1. Start engine and warm it up to normal operating temperature.
2. Turn ignition switch OFF.
3. Disconnect mass air flow sensor (1) harness connector.  
 - <math>\leftarrow</math>: Vehicle front
4. Restart engine and let it idle for at least 5 seconds.
5. Stop engine and reconnect mass air flow sensor harness connector.
6. Check that DTC P0102 is displayed.
7. Erase the DTC memory. Refer to [EC-525, "Emission-related Diagnostic Information"](#).
8. Check that DTC P0000 is displayed.
9. Run engine for at least 10 minutes at idle speed.  
**Is the 1st trip DTC P0171 or P0174 detected?**  
**Is it difficult to start engine?**

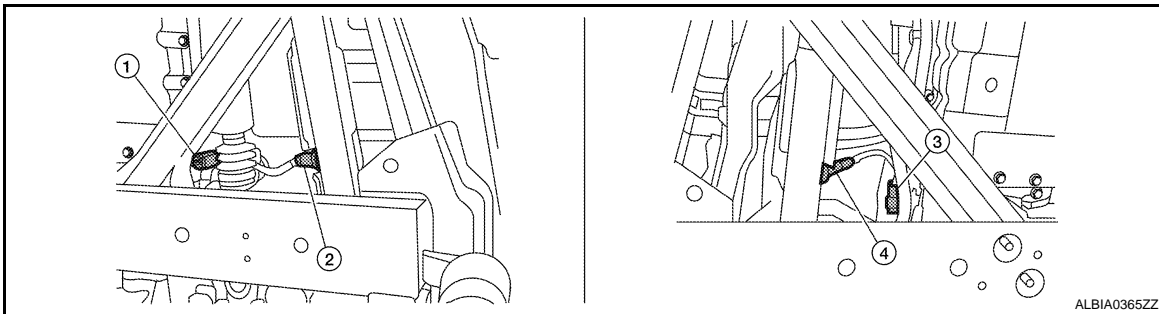


Yes or No

- Yes >> Perform trouble diagnosis for DTC P0171 or P0174. Refer to [EC-659, "Diagnosis Procedure"](#).
- No >> GO TO 3.

**3. CHECK HEATED OXYGEN SENSOR 2 GROUND CIRCUIT FOR OPEN AND SHORT**

1. Turn ignition switch OFF.
2. Disconnect heated oxygen sensor 2 (HO2S2) harness connector.



- |  |                                    |  |
|--|------------------------------------|--|
| 1. Heated oxygen sensor 2 (bank 1) harness connector | 2. Heated oxygen sensor 2 (bank 1) | 3. Heated oxygen sensor 2 (bank 2) harness connector |
| 4. Heated oxygen sensor 2 (bank 2)                   |                                    |  |

3. Disconnect ECM harness connector.
4. Check harness continuity between ECM terminal 78 and HO2S2 terminal 4. Refer to Wiring Diagram.

**Continuity should exist.**

5. Also check harness for short to power.

OK or NG

- OK >> GO TO 4.
- NG >> Repair open circuit or short to ground or short to power in harness or connectors.

**4. CHECK HO2S2 INPUT SIGNAL CIRCUIT FOR OPEN AND SHORT**

1. Check harness continuity between ECM terminal and HO2S2 terminal as per the following.  
Refer to Wiring Diagram.

DTC	Terminals		Bank
	ECM	Sensor	
P0137	55	1	1
P0157	74	1	2

**Continuity should exist.**

2. Check harness continuity between the following terminals and ground.  
Refer to Wiring Diagram.

DTC	Terminals		Bank
	ECM	Sensor	
P0137	55	1	1
P0157	74	1	2

**Continuity should not exist.**

3. Also check harness for short to power.

OK or NG

OK >> GO TO 5.

NG >> Repair open circuit or short to ground or short to power in harness or connectors.

**5. CHECK HEATED OXYGEN SENSOR 2**

Refer to [EC-642. "Component Inspection"](#).

OK or NG

OK >> GO TO 6.

NG >> Replace malfunctioning heated oxygen sensor 2.

**6. CHECK INTERMITTENT INCIDENT**

Refer to [GI-49. "Intermittent Incident"](#).

**>> INSPECTION END**

**Component Inspection**

INFOID:000000003936574

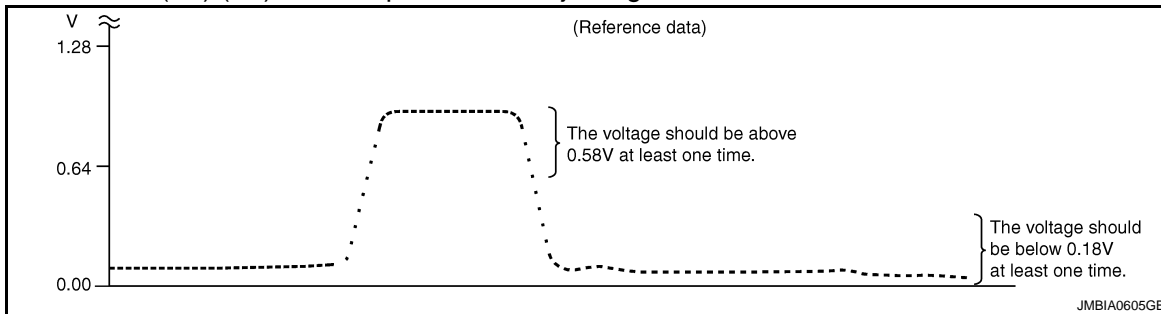
**HEATED OXYGEN SENSOR 2**

Ⓟ With CONSULT-III

1. Turn ignition switch ON and select "DATA MONITOR" mode with CONSULT-III.
2. Start engine and warm it up to the normal operating temperature.
3. Turn ignition switch OFF and wait at least 10 seconds.
4. Start engine and keep the engine speed between 3,500 and 4,000 rpm for at least 1 minute under no load.
5. Let engine idle for 1 minute.
6. Select "FUEL INJECTION" in "ACTIVE TEST" mode, and select "HO2S2 (B1)/(B2)" as the monitor item with CONSULT-III.

< COMPONENT DIAGNOSIS >

7. Check "HO2S2 (B1)/(B2)" at idle speed when adjusting "FUEL INJECTION" to  $\pm 25\%$ .



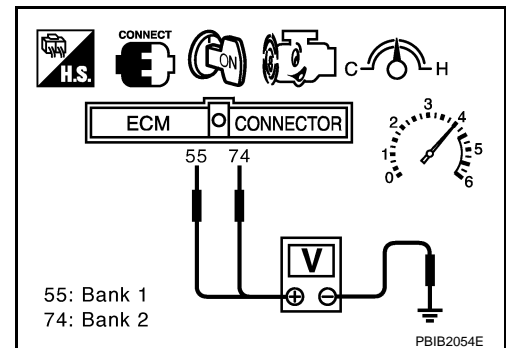
"HO2S2 (B1)/(B2)" should be above 0.58 V at least once when the "FUEL INJECTION" is + 25%.  
 "HO2S2 (B1)/(B2)" should be below 0.18 V at least once when the "FUEL INJECTION" is - 25%.

**CAUTION:**

- Discard any heated oxygen sensor which has been dropped from a height of more than 0.5 m (19.7 in) onto a hard surface such as a concrete floor; use a new one.
- Before installing new heated oxygen sensor, clean exhaust system threads using Oxygen Sensor Thread Cleaner [Commercial service tool (J-43897-18 or J-43897-12)] and approved Anti-seize Lubricant (Commercial service tool).

⊗ Without CONSULT-III

1. Start engine and warm it up to the normal operating temperature.
2. Turn ignition switch OFF and wait at least 10 seconds.
3. Start engine and keep the engine speed between 3,500 and 4,000 rpm for at least 1 minute under no load.
4. Let engine idle for 1 minute.
5. Set voltmeter probes between ECM terminal 55 [HO2S2 (B1) signal] and ground, or 74 [HO2S2 (B2) signal] and ground.
6. Check the voltage when revving up to 4,000 rpm under no load at least 10 times.  
 (Depress and release accelerator pedal as soon as possible.)  
**The voltage should be above 0.58 V at least once during this procedure.**  
**The voltage should be below 0.18 V at least once during this procedure.**  
**If the voltage can be confirmed at step 6, step 7 is not necessary.**
7. Keep vehicle at idling for 10 minutes, then check voltage. Or check the voltage when coasting from 80 km/h (50 MPH) in the D position.  
**The voltage should be above 0.58 V at least once during this procedure.**  
**The voltage should be below 0.18 V at least once during this procedure.**



8. If NG, replace heated oxygen sensor 2.

**CAUTION:**

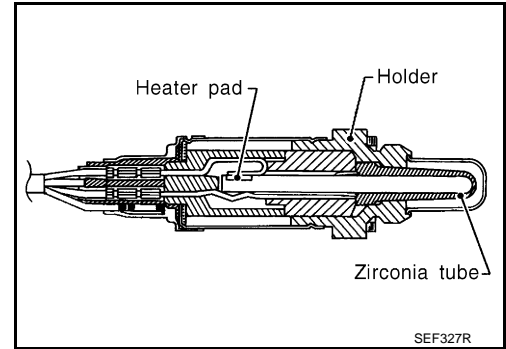
- Discard any heated oxygen sensor which has been dropped from a height of more than 0.5 m (19.7 in) onto a hard surface such as a concrete floor; use a new one.
- Before installing new heated oxygen sensor, clean exhaust system threads using Oxygen Sensor Thread Cleaner [Commercial service tool (J-43897-18 or J-43897-12)] and approved Anti-seize Lubricant (Commercial service tool).

P0138, P0158 HO2S2

Component Description

INFOID:000000004333355

The heated oxygen sensor 2, after three way catalyst (manifold), monitors the oxygen level in the exhaust gas on each bank. Even if switching characteristics of the air fuel ratio (A/F) sensor 1 are shifted, the air-fuel ratio is controlled to stoichiometric, by the signal from the heated oxygen sensor 2. This sensor is made of ceramic zirconia. The zirconia generates voltage from approximately 1 V in richer conditions to 0 V in leaner conditions. Under normal conditions the heated oxygen sensor 2 is not used for engine control operation.



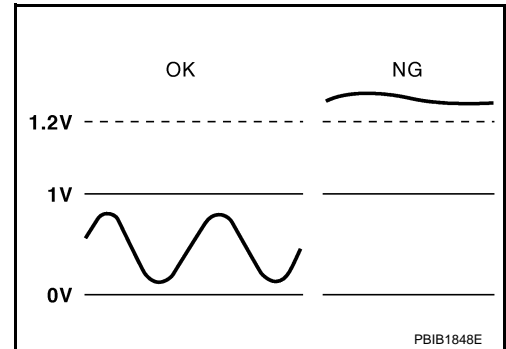
On Board Diagnosis Logic

INFOID:000000003936576

The heated oxygen sensor 2 has a much longer switching time between rich and lean than the air fuel ratio (A/F) sensor 1. The oxygen storage capacity of the three way catalyst (manifold) causes the longer switching time.

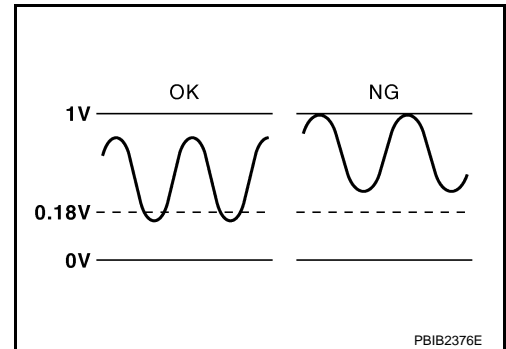
**MALFUNCTION A**

To judge malfunctions of heated oxygen sensor 2, ECM monitors whether the voltage is unusually high during various driving conditions such as fuel cut.



**MALFUNCTION B**

To judge malfunctions of heated oxygen sensor 2, ECM monitors whether the minimum voltage of sensor is sufficiently low during various driving conditions such as fuel cut.



DTC No.	Trouble diagnosis name	DTC detecting condition		Possible cause
P0138 0138 (Bank 1)	Heated oxygen sensor 2 circuit high voltage	A)	An excessively high voltage from the sensor is sent to ECM.	<ul style="list-style-type: none"> <li>• Harness or connectors (The sensor circuit is open or shorted)</li> <li>• Heated oxygen sensor 2</li> </ul>
P0158 0158 (Bank 2)		B)	The minimum voltage from the sensor is not reached to the specified voltage.	<ul style="list-style-type: none"> <li>• Harness or connectors (The sensor circuit is open or shorted)</li> <li>• Heated oxygen sensor 2</li> <li>• Fuel pressure</li> <li>• Fuel injector</li> </ul>

DTC Confirmation Procedure

INFOID:000000003936577

Perform PROCEDURE FOR MALFUNCTION A first.



## &lt; COMPONENT DIAGNOSIS &gt;

If 1st trip DTC cannot be confirmed, perform PROCEDURE FOR MALFUNCTION B.

**NOTE:**

If DTC Confirmation Procedure has been previously conducted, always perform the following before conducting the next step.

1. Turn ignition switch OFF and wait at least 10 seconds.
2. Turn ignition switch ON.
3. Turn ignition switch OFF and wait at least 10 seconds.

## PROCEDURE FOR MALFUNCTION A

 With CONSULT-III

1. Turn ignition switch ON and select "DATA MONITOR" mode with CONSULT-III.
2. Start engine and warm it up to the normal operating temperature.
3. Turn ignition switch OFF and wait at least 10 seconds.
4. Turn ignition switch ON.
5. Turn ignition switch OFF and wait at least 10 seconds.
6. Start engine and keep the engine speed between 3,500 and 4,000 rpm for at least 1 minute under no load.
7. Let engine idle for 2 minutes.
8. Check 1st trip DTC.
9. If 1st trip DTC is detected, go to [EC-646. "Diagnosis Procedure"](#).

 With GST

Follow the procedure "With CONSULT-III" above.

## PROCEDURE FOR MALFUNCTION B

 With CONSULT-III

**TESTING CONDITION:**

**For better results, perform "DTC WORK SUPPORT" at a temperature of 0 to 30°C (32 to 86°F).**

1. Turn ignition switch ON and select "DATA MONITOR" mode with CONSULT-III.
2. Start engine and warm it up to the normal operating temperature.
3. Turn ignition switch OFF and wait at least 10 seconds.
4. Turn ignition switch ON.
5. Turn ignition switch OFF and wait at least 10 seconds.
6. Start engine and keep the engine speed between 3,500 and 4,000 rpm for at least 1 minute under no load.
7. Let engine idle for 1 minute.
8. Check that "COOLAN TEMP/S" indicates more than 70°C (158°F).  
If not, warm up engine and go to next step when "COOLAN TEMP/S" indication reaches 70°C (158°F).
9. Open engine hood.
10. Select "HO2S2 (B1) P1146" (for DTC P0138) or "HO2S2 (B2) P1166" (for DTC P0158) of "HO2S2" in "DTC WORK SUPPORT" mode with CONSULT-III.
11. Follow the instructions displayed.

**NOTE:**

It will take at most 10 minutes until "COMPLETED" is displayed.

12. Check that "OK" is displayed after touching "SELF-DIAG RESULTS".  
If "NG" is displayed, go to [EC-646. "Diagnosis Procedure"](#).  
If "CAN NOT BE DIAGNOSED" is displayed, perform the following procedure.
  - a. Turn ignition switch OFF and leave the vehicle in a cool place (soak the vehicle).
  - b. Return to step 1.

## Overall Function Check

INFOID:000000003936578

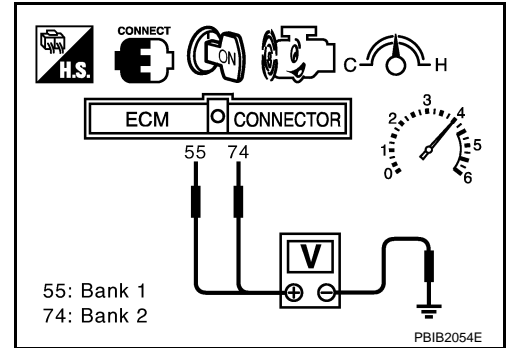
## PROCEDURE FOR MALFUNCTION B

Use this procedure to check the overall function of the heated oxygen sensor 2 circuit. During this check, a 1st trip DTC might not be confirmed.

 With GST

< COMPONENT DIAGNOSIS >

1. Start engine and warm it up to the normal operating temperature.
2. Turn ignition switch OFF and wait at least 10 seconds.
3. Start engine and keep the engine speed between 3,500 and 4,000 rpm for at least 1 minute under no load.
4. Let engine idle for 1 minute.
5. Set voltmeter probes between ECM terminal 55 [HO2S2 (B2) signal] and ground, or 74 [HO2S2 (B1) signal] and ground.
6. Check the voltage when revving up to 4,000 rpm under no load at least 10 times.  
(Depress and release accelerator pedal as soon as possible.)  
**The voltage should be below 0.18 V at least once during this procedure.**  
**If the voltage can be confirmed in step 6, step 7 is not necessary.**
7. Keep vehicle at idling for 10 minutes, then check the voltage. Or check the voltage when coasting from 80 km/h (50 MPH) in the D position.  
**The voltage should be below 0.18 V at least once during this procedure.**
8. If NG, go to [EC-646. "Diagnosis Procedure"](#).



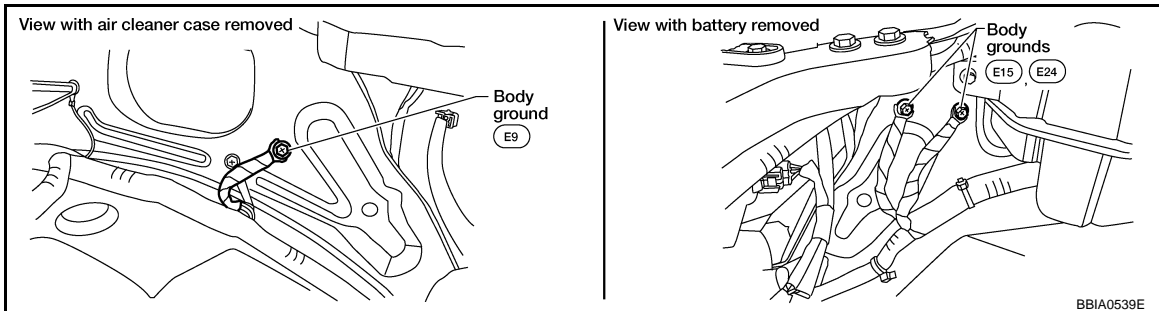
Diagnosis Procedure

INFOID:000000003936579

PROCEDURE FOR MALFUNCTION A

1. CHECK GROUND CONNECTIONS

1. Turn ignition switch OFF.
2. Loosen and retighten ground screws on the body.  
Refer to [EC-568. "Ground Inspection"](#).

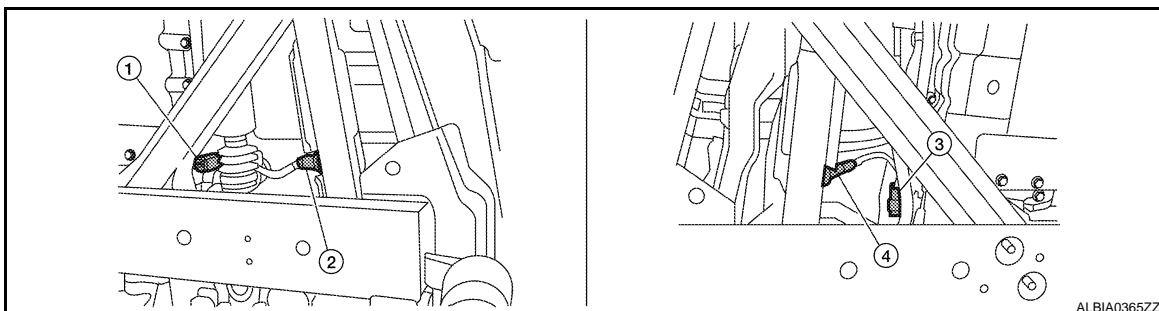


OK or NG

- OK >> GO TO 2.
- NG >> Repair or replace ground connections.

2. CHECK HEATED OXYGEN SENSOR 2 GROUND CIRCUIT FOR OPEN AND SHORT

1. Disconnect heated oxygen sensor 2 (HO2S2) harness connector.



< COMPONENT DIAGNOSIS >

1. Heated oxygen sensor 2 (bank 1) harness connector
2. Heated oxygen sensor 2 (bank 1)
3. Heated oxygen sensor 2 (bank 2) harness connector
4. Heated oxygen sensor 2 (bank 2)

2. Disconnect ECM harness connector.
3. Check harness continuity between ECM terminal 78 and HO2S2 terminal 4. Refer to Wiring Diagram.

**Continuity should exist.**

4. Also check harness for short to ground and short to power.

OK or NG

OK >> GO TO 3.

NG >> Repair open circuit or short to ground or short to power in harness or connectors.

**3.CHECK HO2S2 INPUT SIGNAL CIRCUIT FOR OPEN AND SHORT**

1. Check harness continuity between ECM terminal and HO2S2 terminal as per the following. Refer to Wiring Diagram.

DTC	Terminals		Bank
	ECM	Sensor	
P0138	55	1	1
P0158	74	1	2

**Continuity should exist.**

2. Check harness continuity between the following terminals and ground. Refer to Wiring Diagram.

DTC	Terminals		Bank
	ECM	Sensor	
P0138	55	1	1
P0158	74	1	2

**Continuity should not exist.**

3. Also check harness for short to power.

OK or NG

OK >> GO TO 4.

NG >> Repair open circuit or short to ground or short to power in harness or connectors.

**4.CHECK HO2S2 CONNECTOR FOR WATER**

Check connectors for water.

**Water should not exist.**

OK or NG

OK >> GO TO 5.

NG >> Repair or replace harness or connectors.

**5.CHECK HEATED OXYGEN SENSOR 2**

Refer to [EC-650. "Component Inspection"](#).

OK or NG

OK >> GO TO 6.

NG >> Replace malfunctioning heated oxygen sensor 2.

**6.CHECK INTERMITTENT INCIDENT**

< COMPONENT DIAGNOSIS >

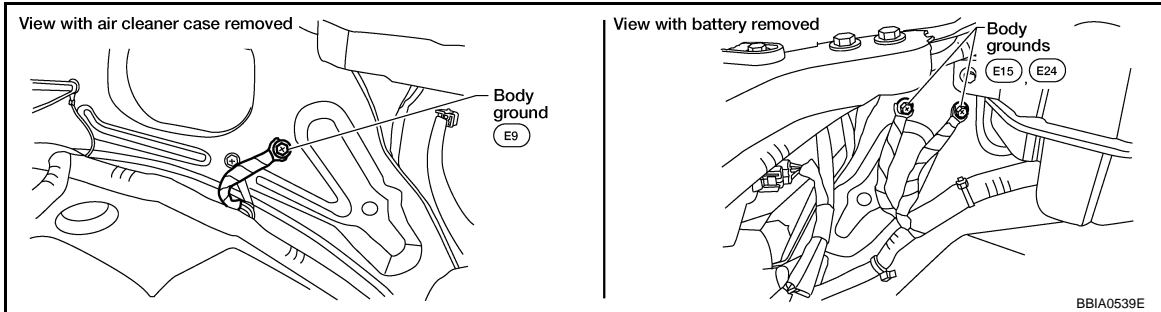
Refer to [GI-49, "Intermittent Incident"](#).

>> **INSPECTION END**

PROCEDURE FOR MALFUNCTION B

**1. CHECK GROUND CONNECTIONS**

1. Turn ignition switch OFF.
2. Loosen and retighten ground screws on the body.  
Refer to [EC-568, "Ground Inspection"](#).



OK or NG

- OK >> GO TO 2.
- NG >> Repair or replace ground connections.

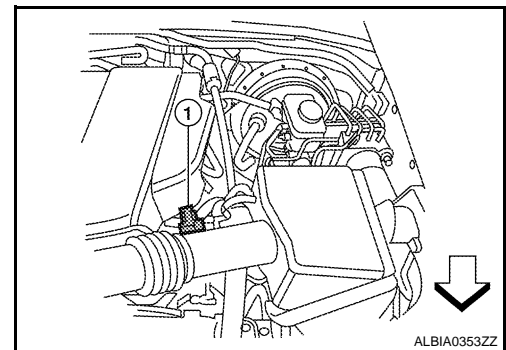
**2. CLEAR THE SELF-LEARNING DATA**

**With CONSULT-III**

1. Start engine and warm it up to normal operating temperature.
2. Select "SELF-LEARNING CONT" in "WORK SUPPORT" mode with CONSULT-III.
3. Clear the self-learning control coefficient by touching "CLEAR".
4. Run engine for at least 10 minutes at idle speed.  
**Is the 1st trip DTC P0172 or P0175 detected?**  
**Is it difficult to start engine?**

**Without CONSULT-III**

1. Start engine and warm it up to normal operating temperature.
2. Turn ignition switch OFF.
3. Disconnect mass air flow sensor (1) harness connector.  
- ⇐: Vehicle front
4. Restart engine and let it idle for at least 5 seconds.
5. Stop engine and reconnect mass air flow sensor harness connector.
6. Check that DTC P0102 is displayed.
7. Erase the DTC memory. Refer to [EC-525, "Emission-related Diagnostic Information"](#).
8. Check that DTC P0000 is displayed.
9. Run engine for at least 10 minutes at idle speed.  
**Is the 1st trip DTC P0172 or P0175 detected?**  
**Is it difficult to start engine?**

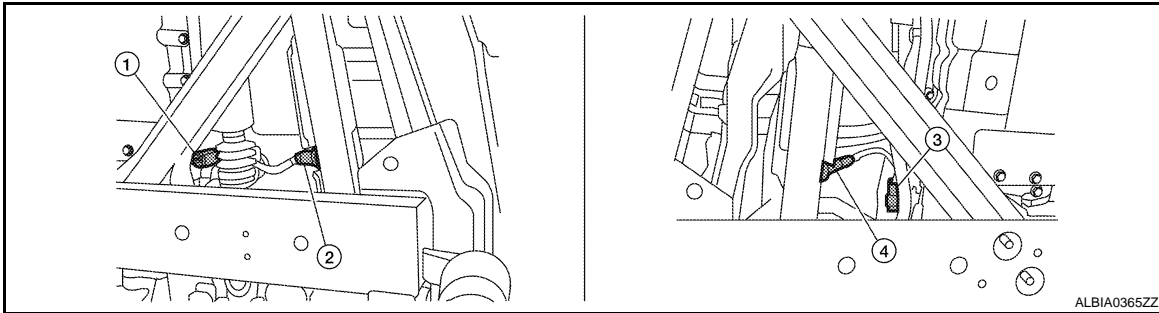


Yes or No

- Yes >> Perform trouble diagnosis for DTC P0172, P0175. Refer to [EC-663, "Diagnosis Procedure"](#).
- No >> GO TO 3.

**3. CHECK HEATED OXYGEN SENSOR 2 GROUND CIRCUIT FOR OPEN AND SHORT**

1. Turn ignition switch OFF.
2. Disconnect heated oxygen sensor 2 (HO2S2) harness connector.



- 1. Heated oxygen sensor 2 (bank 1) harness connector
- 2. Heated oxygen sensor 2 (bank 1)
- 3. Heated oxygen sensor 2 (bank 2) harness connector
- 4. Heated oxygen sensor 2 (bank 2)

- 3. Disconnect ECM harness connector.
- 4. Check harness continuity between ECM terminal 78 and HO2S2 terminal 4. Refer to Wiring Diagram.

**Continuity should exist.**

- 5. Also check harness for short to ground and short to power.

OK or NG

OK >> GO TO 4.

NG >> Repair open circuit or short to ground or short to power in harness or connectors.

**4. CHECK HO2S2 INPUT SIGNAL CIRCUIT FOR OPEN AND SHORT**

- 1. Check harness continuity between ECM terminal and HO2S2 terminal as follows. Refer to Wiring Diagram.

DTC	Terminals		Bank
	ECM	Sensor	
P0138	55	1	1
P0158	74	1	2

**Continuity should exist.**

- 2. Check harness continuity between the following terminals and ground. Refer to Wiring Diagram.

DTC	Terminals		Bank
	ECM	Sensor	
P0138	55	1	1
P0158	74	1	2

**Continuity should not exist.**

- 3. Also check harness for short to power.

OK or NG

OK >> GO TO 5.

NG >> Repair open circuit or short to ground or short to power in harness or connectors.

**5. CHECK HEATED OXYGEN SENSOR 2**

Refer to [EC-650, "Component Inspection"](#).

OK or NG

OK >> GO TO 6.

< COMPONENT DIAGNOSIS >

NG >> Replace malfunctioning heated oxygen sensor 2.

6. CHECK INTERMITTENT INCIDENT

Refer to [GI-49, "Intermittent Incident"](#).

>> INSPECTION END

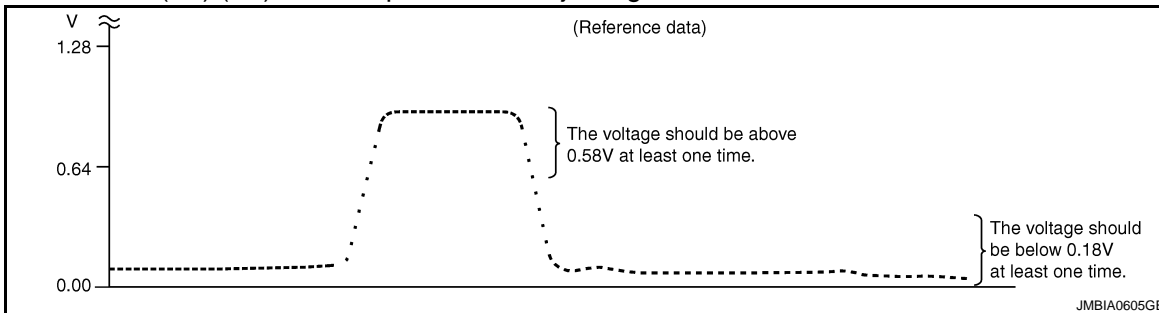
Component Inspection

INFOID:000000004333357

HEATED OXYGEN SENSOR 2

Ⓜ With CONSULT-III

1. Turn ignition switch ON and select "DATA MONITOR" mode with CONSULT-III.
2. Start engine and warm it up to the normal operating temperature.
3. Turn ignition switch OFF and wait at least 10 seconds.
4. Start engine and keep the engine speed between 3,500 and 4,000 rpm for at least 1 minute under no load.
5. Let engine idle for 1 minute.
6. Select "FUEL INJECTION" in "ACTIVE TEST" mode, and select "HO2S2 (B1)/(B2)" as the monitor item with CONSULT-III.
7. Check "HO2S2 (B1)/(B2)" at idle speed when adjusting "FUEL INJECTION" to  $\pm 25\%$ .



"HO2S2 (B1)/(B2)" should be above 0.58 V at least once when the "FUEL INJECTION" is + 25%.  
 "HO2S2 (B1)/(B2)" should be below 0.18 V at least once when the "FUEL INJECTION" is - 25%.

**CAUTION:**

- Discard any heated oxygen sensor which has been dropped from a height of more than 0.5 m (19.7 in) onto a hard surface such as a concrete floor; use a new one.
- Before installing new heated oxygen sensor, clean exhaust system threads using Oxygen Sensor Thread Cleaner [Commercial service tool (J-43897-18 or J-43897-12)] and approved Anti-seize Lubricant (Commercial service tool).

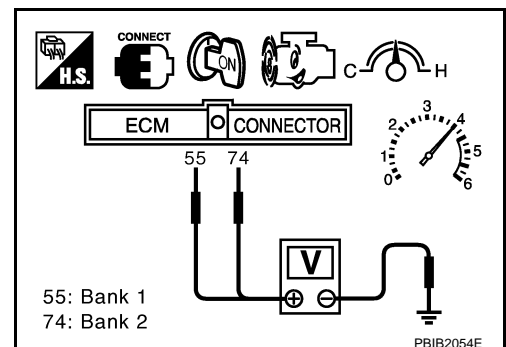
⊗ Without CONSULT-III

1. Start engine and warm it up to the normal operating temperature.
2. Turn ignition switch OFF and wait at least 10 seconds.
3. Start engine and keep the engine speed between 3,500 and 4,000 rpm for at least 1 minute under no load.
4. Let engine idle for 1 minute.
5. Set voltmeter probes between ECM terminal 55 [HO2S2 (B1) signal] and ground, or 74 [HO2S2 (B2) signal] and ground.
6. Check the voltage when revving up to 4,000 rpm under no load at least 10 times.  
 (Depress and release accelerator pedal as soon as possible.)

**The voltage should be above 0.58 V at least once during this procedure.**

**The voltage should be below 0.18 V at least once during this procedure.**

**If the voltage can be confirmed at step 6, step 7 is not necessary.**



## P0138, P0158 HO2S2

[VK56DE]

### < COMPONENT DIAGNOSIS >

7. Keep vehicle at idling for 10 minutes, then check voltage. Or check the voltage when coasting from 80 km/h (50 MPH) in the D position.  
**The voltage should be above 0.58 V at least once during this procedure.**  
**The voltage should be below 0.18 V at least once during this procedure.**
8. If NG, replace heated oxygen sensor 2.

#### **CAUTION:**

- Discard any heated oxygen sensor which has been dropped from a height of more than 0.5 m (19.7 in) onto a hard surface such as a concrete floor; use a new one.
- Before installing new heated oxygen sensor, clean exhaust system threads using Oxygen Sensor Thread Cleaner [Commercial service tool (J-43897-18 or J-43897-12)] and approved Anti-seize Lubricant (Commercial service tool).

A

EC

C

D

E

F

G

H

I

J

K

L

M

N

O

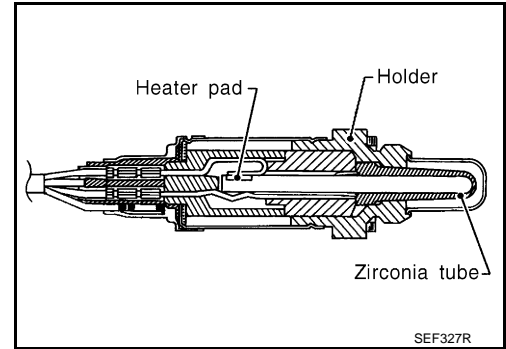
P

P0139, P0159 HO2S2

Component Description

INFOID:000000004355617

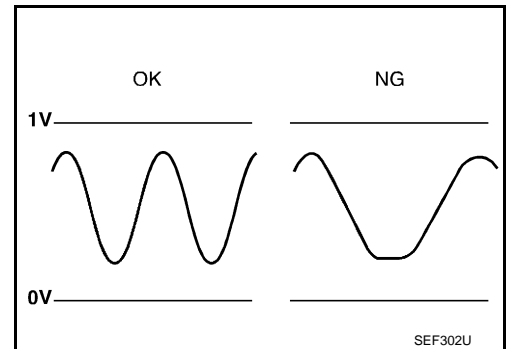
The heated oxygen sensor 2, after three way catalyst (manifold), monitors the oxygen level in the exhaust gas on each bank. Even if switching characteristics of the air fuel ratio (A/F) sensor 1 are shifted, the air-fuel ratio is controlled to stoichiometric, by the signal from the heated oxygen sensor 2. This sensor is made of ceramic zirconia. The zirconia generates voltage from approximately 1 V in richer conditions to 0 V in leaner conditions. Under normal conditions the heated oxygen sensor 2 is not used for engine control operation.



On Board Diagnosis Logic

INFOID:000000004355612

The heated oxygen sensor 2 has a much longer switching time between rich and lean than the air fuel ratio (A/F) sensor 1. The oxygen storage capacity of the three way catalyst (manifold) causes the longer switching time. To judge malfunctions of heated oxygen sensor 2, ECM monitors whether the switching response of the sensor's voltage is faster than specified during various driving conditions such as fuel cut.



DTC No.	Trouble diagnosis name	DTC detecting condition	Possible cause
P0139 0139 (Bank 1)	Heated oxygen sensor 2 circuit slow response	It takes more time for the sensor to respond between rich and lean than the specified time.	<ul style="list-style-type: none"> <li>• Harness or connectors (The sensor circuit is open or shorted)</li> <li>• Heated oxygen sensor 2</li> <li>• Fuel pressure</li> <li>• Fuel injector</li> <li>• Intake air leakage</li> </ul>
P0159 0159 (Bank 2)			

DTC Confirmation Procedure

INFOID:000000004355613

**NOTE:**

If DTC Confirmation Procedure has been previously conducted, always perform the following procedure before conducting the next step.

1. Turn ignition switch OFF and wait at least 10 seconds.
2. Turn ignition switch ON.
3. Turn ignition switch OFF and wait at least 10 seconds.

**WITH CONSULT-III**

**TESTING CONDITION:**

For better results, perform "DTC WORK SUPPORT" at a temperature of 0 to 30°C (32 to 86°F).

1. Turn ignition switch ON and select "DATA MONITOR" mode with CONSULT-III.
2. Start engine and warm it up to the normal operating temperature.
3. Turn ignition switch OFF and wait at least 10 seconds.
4. Turn ignition switch ON.
5. Turn ignition switch OFF and wait at least 10 seconds.
6. Start engine and keep the engine speed between 3,500 and 4,000 rpm for at least 1 minute under no load.
7. Let engine idle for 1 minute.



< COMPONENT DIAGNOSIS >

8. Check that "COOLAN TEMP/S" indicates more than 70°C (158°F).  
If not, warm up engine and go to next step when "COOLAN TEMP/S" indication reaches 70°C (158°F).
9. Open engine hood.
10. Select "HO2S2 (B1) P0139" or "HO2S2 (B2) P0159" of "HO2S2" in "DTC WORK SUPPORT" mode with CONSULT-III.
11. Following the instructions displayed.  
**NOTE:**  
It will take at most 10 minutes until "COMPLETED" is displayed.
12. Check that "OK" is displayed after touching "SELF-DIAG RESULTS".  
If "NG" is displayed, go to [EC-653, "Diagnosis Procedure"](#).  
If "CAN NOT BE DIAGNOSED" is displayed, perform the following procedure.
  - a. Turn ignition switch OFF and leave the vehicle in a cool place (soak the vehicle).
  - b. Return to step 1.

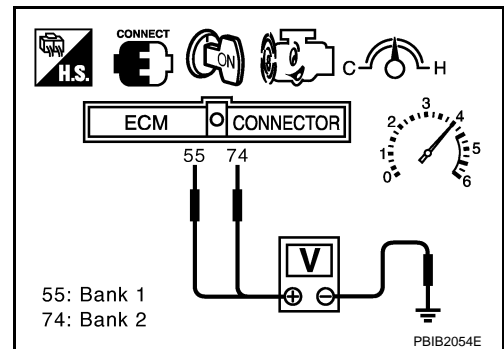
Overall Function Check

INFOID:000000004355614

Use this procedure to check the overall function of the heated oxygen sensor 2 circuit. During this check, a 1st trip DTC might not be confirmed.

 WITH GST

1. Start engine and warm it up to the normal operating temperature.
2. Turn ignition switch OFF and wait at least 10 seconds.
3. Start engine and keep the engine speed between 3,500 and 4,000 rpm for at least 1 minute under no load.
4. Let engine idle for 1 minute.
5. Set voltmeter probes between ECM terminal 55 [HO2S2 (B1) signal] and ground, or 74 [HO2S2 (B2) signal] and ground.
6. Check the voltage when revving up to 4,000 rpm under no load at least 10 times.  
(Depress and release accelerator pedal as soon as possible.)  
**A change of voltage should be more than 0.12 V for 1 second during this procedure.**  
**If the voltage can be confirmed in step 6, step 7 is not necessary.**
7. Keep vehicle at idling for 10 minutes, then check the voltage. Or check the voltage when coasting from 80 km/h (50 MPH) in D position.  
**A change of voltage should be more than 0.12 V for 1 second during this procedure.**
8. If NG, go to [EC-653, "Diagnosis Procedure"](#).

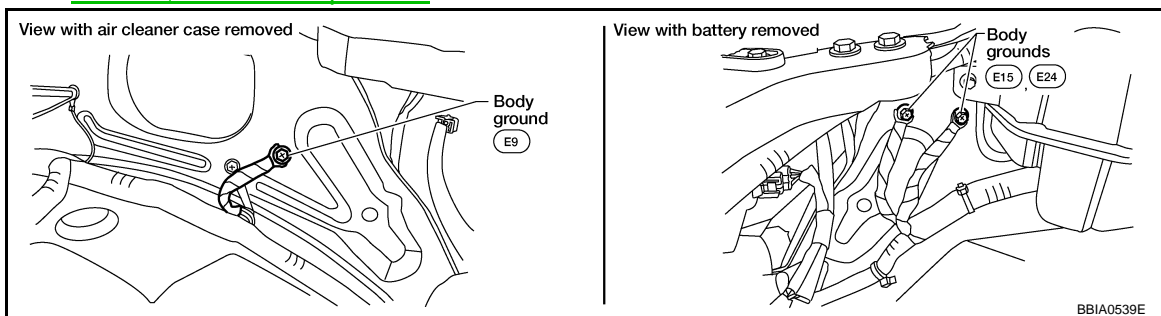


Diagnosis Procedure

INFOID:000000004355615

1. CHECK GROUND CONNECTIONS

1. Turn ignition switch OFF.
2. Loosen and retighten ground screws on the body.  
Refer to [EC-568, "Ground Inspection"](#).



OK or NG

< COMPONENT DIAGNOSIS >

- OK >> GO TO 2.
- NG >> Repair or replace ground connections.

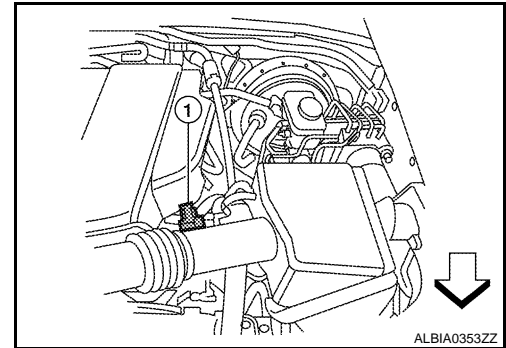
**2. CLEAR THE SELF-LEARNING DATA**

**With CONSULT-III**

1. Start engine and warm it up to normal operating temperature.
  2. Select "SELF-LEARNING CONT" in "WORK SUPPORT" mode with CONSULT-III.
  3. Clear the self-learning control coefficient by touching "CLEAR".
  4. Run engine for at least 10 minutes at idle speed.
- Is the 1st trip DTC P0171, P0172, P0174 or P0175 detected?  
Is it difficult to start engine?**

**Without CONSULT-III**

1. Start engine and warm it up to normal operating temperature.
  2. Turn ignition switch OFF.
  3. Disconnect mass air flow sensor (1) harness connector.
  - ⇐: Vehicle front
  4. Restart engine and let it idle for at least 5 seconds.
  5. Stop engine and reconnect mass air flow sensor harness connector.
  6. Check that DTC P0102 is displayed.
  7. Erase the DTC memory. Refer to [EC-525. "Emission-related Diagnostic Information"](#).
  8. Check that DTC P0000 is displayed.
  9. Run engine for at least 10 minutes at idle speed.
- Is the 1st trip DTC P0171, P0172, P0174 or P0175 detected?  
Is it difficult to start engine?**

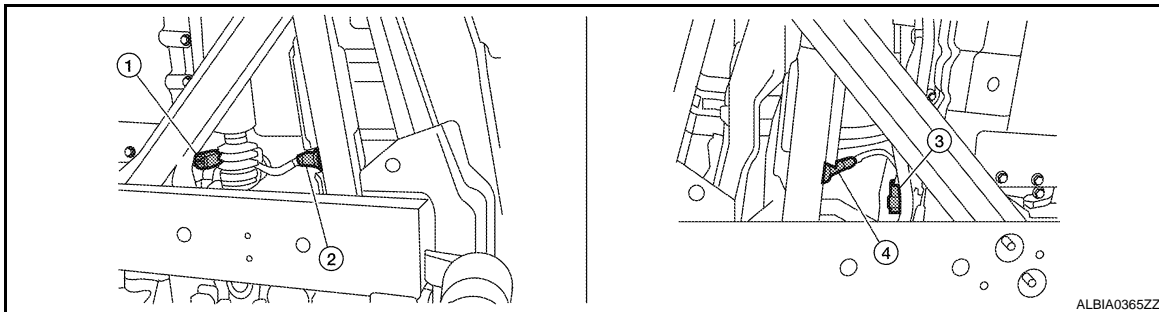


Yes or No

- Yes >> Perform trouble diagnosis for DTC P0171, P0174 or P0172, P0175. Refer to [EC-659. "Diagnosis Procedure"](#) or [EC-663. "Diagnosis Procedure"](#).
- No >> GO TO 3.

**3. CHECK HEATED OXYGEN SENSOR 2 GROUND CIRCUIT FOR OPEN AND SHORT**

1. Turn ignition switch OFF.
2. Disconnect heated oxygen sensor 2 (HO2S2) harness connector.



- 1. Heated oxygen sensor 2 (bank 1) harness connector
- 2. Heated oxygen sensor 2 (bank 1)
- 3. Heated oxygen sensor 2 (bank 2) harness connector
- 4. Heated oxygen sensor 2 (bank 2)

3. Disconnect ECM harness connector.
4. Check harness continuity between ECM terminal 78 and HO2S2 terminal 4. Refer to Wiring Diagram.

**Continuity should exist.**

5. Also check harness for short to ground and short to power.

OK or NG

- OK >> GO TO 4.
- NG >> Repair open circuit or short to ground or short to power in harness or connectors.

**4. CHECK HO2S2 INPUT SIGNAL CIRCUIT FOR OPEN AND SHORT**

1. Check harness continuity between ECM terminal and HO2S2 terminal as per the following. Refer to Wiring Diagram.

DTC	Terminals		Bank
	ECM	Sensor	
P0139	55	1	1
P0159	74	1	2

**Continuity should exist.**

2. Check harness continuity between the following terminals and ground. Refer to Wiring Diagram.

DTC	Terminals		Bank
	ECM	Sensor	
P0139	55	1	1
P0159	74	1	2

**Continuity should not exist.**

3. Also check harness for short to power.

OK or NG

OK >> GO TO 5.

NG >> Repair open circuit or short to ground or short to power in harness or connectors.

**5. CHECK HEATED OXYGEN SENSOR 2**

Refer to [EC-655, "Component Inspection"](#).

OK or NG

OK >> GO TO 6.

NG >> Replace malfunctioning heated oxygen sensor 2.

**6. CHECK INTERMITTENT INCIDENT**

Refer to [GI-49, "Intermittent Incident"](#).

**>> INSPECTION END**

**Component Inspection**

INFOID:000000004355619

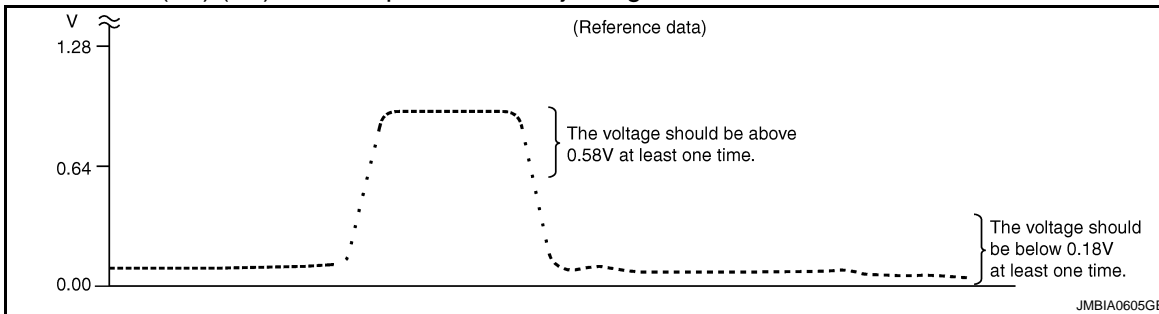
**HEATED OXYGEN SENSOR 2**

Ⓟ With CONSULT-III

1. Turn ignition switch ON and select "DATA MONITOR" mode with CONSULT-III.
2. Start engine and warm it up to the normal operating temperature.
3. Turn ignition switch OFF and wait at least 10 seconds.
4. Start engine and keep the engine speed between 3,500 and 4,000 rpm for at least 1 minute under no load.
5. Let engine idle for 1 minute.
6. Select "FUEL INJECTION" in "ACTIVE TEST" mode, and select "HO2S2 (B1)/(B2)" as the monitor item with CONSULT-III.

< COMPONENT DIAGNOSIS >

7. Check "HO2S2 (B1)/(B2)" at idle speed when adjusting "FUEL INJECTION" to  $\pm 25\%$ .



"HO2S2 (B1)/(B2)" should be above 0.58 V at least once when the "FUEL INJECTION" is + 25%.

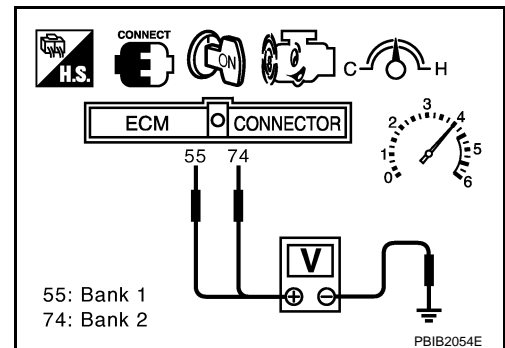
"HO2S2 (B1)/(B2)" should be below 0.18 V at least once when the "FUEL INJECTION" is - 25%.

**CAUTION:**

- Discard any heated oxygen sensor which has been dropped from a height of more than 0.5 m (19.7 in) onto a hard surface such as a concrete floor; use a new one.
- Before installing new heated oxygen sensor, clean exhaust system threads using Oxygen Sensor Thread Cleaner [Commercial service tool (J-43897-18 or J-43897-12)] and approved Anti-seize Lubricant (Commercial service tool).

⊗ Without CONSULT-III

1. Start engine and warm it up to the normal operating temperature.
2. Turn ignition switch OFF and wait at least 10 seconds.
3. Start engine and keep the engine speed between 3,500 and 4,000 rpm for at least 1 minute under no load.
4. Let engine idle for 1 minute.
5. Set voltmeter probes between ECM terminal 55 [HO2S2 (B1) signal] and ground, or 74 [HO2S2 (B2) signal] and ground.
6. Check the voltage when revving up to 4,000 rpm under no load at least 10 times.  
(Depress and release accelerator pedal as soon as possible.)  
**The voltage should be above 0.58 V at least once during this procedure.**  
**The voltage should be below 0.18 V at least once during this procedure.**  
**If the voltage can be confirmed at step 6, step 7 is not necessary.**
7. Keep vehicle at idling for 10 minutes, then check voltage. Or check the voltage when coasting from 80 km/h (50 MPH) in the D position.  
**The voltage should be above 0.58 V at least once during this procedure.**  
**The voltage should be below 0.18 V at least once during this procedure.**



8. If NG, replace heated oxygen sensor 2.

**CAUTION:**

- Discard any heated oxygen sensor which has been dropped from a height of more than 0.5 m (19.7 in) onto a hard surface such as a concrete floor; use a new one.
- Before installing new heated oxygen sensor, clean exhaust system threads using Oxygen Sensor Thread Cleaner [Commercial service tool (J-43897-18 or J-43897-12)] and approved Anti-seize Lubricant (Commercial service tool).

# P0171, P0174 FUEL INJECTION SYSTEM FUNCTION

< COMPONENT DIAGNOSIS >

[VK56DE]

## P0171, P0174 FUEL INJECTION SYSTEM FUNCTION

### On Board Diagnosis Logic

INFOID:000000003936587

With the Air/Fuel Mixture Ratio Self-Learning Control, the actual mixture ratio can be brought closely to the theoretical mixture ratio based on the mixture ratio feedback signal from A/F sensor 1. The ECM calculates the necessary compensation to correct the offset between the actual and the theoretical ratios.

In case the amount of the compensation value is extremely large (the actual mixture ratio is too lean), the ECM judges the condition as the fuel injection system malfunction and illuminates the MIL (2 trip detection logic).

Sensor	Input signal to ECM	ECM function	Actuator
A/F sensor 1	Density of oxygen in exhaust gas (Mixture ratio feedback signal)	Fuel injection control	Fuel injector

DTC No.	Trouble diagnosis name	DTC detecting condition	Possible cause
P0171 0171 (Bank 1)	Fuel injection system too lean	<ul style="list-style-type: none"> <li>Fuel injection system does not operate properly.</li> <li>The amount of mixture ratio compensation is too large. (The mixture ratio is too lean.)</li> </ul>	<ul style="list-style-type: none"> <li>Intake air leakage</li> <li>A/F sensor 1</li> <li>Fuel injector</li> <li>Exhaust gas leakage</li> <li>Incorrect fuel pressure</li> <li>Lack of fuel</li> <li>Mass air flow sensor</li> <li>Incorrect PCV hose connection</li> </ul>
P0174 0174 (Bank 2)			

### DTC Confirmation Procedure

INFOID:000000003936588

#### NOTE:

If DTC Confirmation Procedure has been previously conducted, always perform the following procedure before conducting the next step.

- Turn ignition switch OFF and wait at least 10 seconds.
- Turn ignition switch ON.
- Turn ignition switch OFF and wait at least 10 seconds.

#### WITH CONSULT-III

- Start engine and warm it up to normal operating temperature.
- Turn ignition switch OFF and wait at least 10 seconds.
- Turn ignition switch ON.
- Turn ignition switch OFF and wait at least 10 seconds.
- Turn ignition switch ON and select "SELF-LEARNING CONT" in "WORK SUPPORT" mode with CONSULT-III.
- Clear the self-learning control coefficient by touching "CLEAR".
- Start engine.  
If it is difficult to start engine, the fuel injection system has a malfunction. Performing the following procedure is advised.
  - Crank engine while depressing accelerator pedal.
 

**NOTE:**  
When depressing accelerator pedal three-fourths (3/4) or more, the control system does not start the engine. Do not depress accelerator pedal too much.
  - If engine starts, go to [EC-659, "Diagnosis Procedure"](#).  
If engine does not start, check exhaust and intake air leakage visually.
- Keep engine at idle for at least 5 minutes.
- Check 1st trip DTC.
- The 1st trip DTC P0171 or P0174 should be detected at this stage, if a malfunction exists. If so, go to [EC-659, "Diagnosis Procedure"](#).

#### NOTE:

If 1st trip DTC is not detected during above procedure, performing the following procedure is advised.

# P0171, P0174 FUEL INJECTION SYSTEM FUNCTION

[VK56DE]

## < COMPONENT DIAGNOSIS >

- a. Turn ignition switch OFF and wait at least 10 seconds.
- b. Start engine.
- c. Maintain the following conditions for at least 10 consecutive minutes.  
**Hold the accelerator pedal as steady as possible.**


VHCL SPEED SE	50 - 120 km/h (31 - 75 MPH)
---------------	-----------------------------

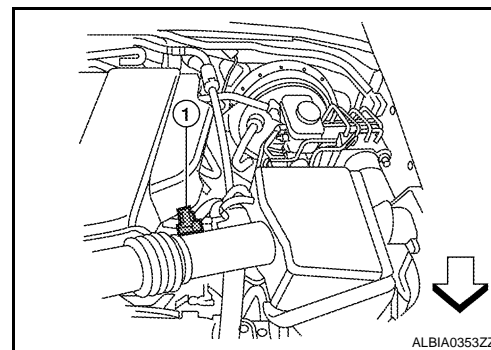
### **CAUTION:**

**Always drive vehicle at a safe speed.**

- d. Check 1st trip DTC.
- e. If 1st trip DTC is detected, go to [EC-659. "Diagnosis Procedure"](#).

### WITH GST

1. Start engine and warm it up to normal operating temperature.
2. Turn ignition switch OFF and wait at least 10 seconds.
3. Turn ignition switch ON.
4. Turn ignition switch OFF and wait at least 10 seconds.
5. Disconnect mass air flow sensor (1) harness connector.
  -  : Vehicle front
6. Restart engine and let it idle for at least 5 seconds.
7. Stop engine and reconnect mass air flow sensor harness connector.
8. Select Service \$03 with GST. Check that DTC P0102 is detected.
9. Select Service \$04 with GST and erase the DTC P0102.
10. Start engine.



If it is difficult to start engine, the fuel injection system has a malfunction.

Performing the following procedure is advised.

- a. Crank engine while depressing accelerator pedal.

### **NOTE:**

When depressing accelerator pedal three-fourths (3/4) or more, the control system does not start the engine. Do not depress accelerator pedal too much.

- b. If engine starts, go to [EC-659. "Diagnosis Procedure"](#).  
If engine does not start, check exhaust and intake air leakage visually.

11. Keep engine at idle for at least 5 minutes.

12. Check 1st trip DTC.

13. The 1st trip DTC P0171 or P0174 should be detected at this stage, if a malfunction exists. If so, go to [EC-659. "Diagnosis Procedure"](#).

### **NOTE:**

If 1st trip DTC is not detected during above procedure, performing the following procedure is advised.

- a. Turn ignition switch OFF and wait at least 10 seconds.
- b. Start engine.
- c. Maintain the following conditions for at least 10 consecutive minutes.  
**Hold the accelerator pedal as steady as possible.**

VHCL SPEED SE	50 - 120 km/h (31 - 75 MPH)
---------------	-----------------------------

### **CAUTION:**

**Always drive vehicle at a safe speed.**

- d. Check 1st trip DTC.
- e. If 1st trip DTC is detected, go to [EC-659. "Diagnosis Procedure"](#).

# P0171, P0174 FUEL INJECTION SYSTEM FUNCTION

[VK56DE]

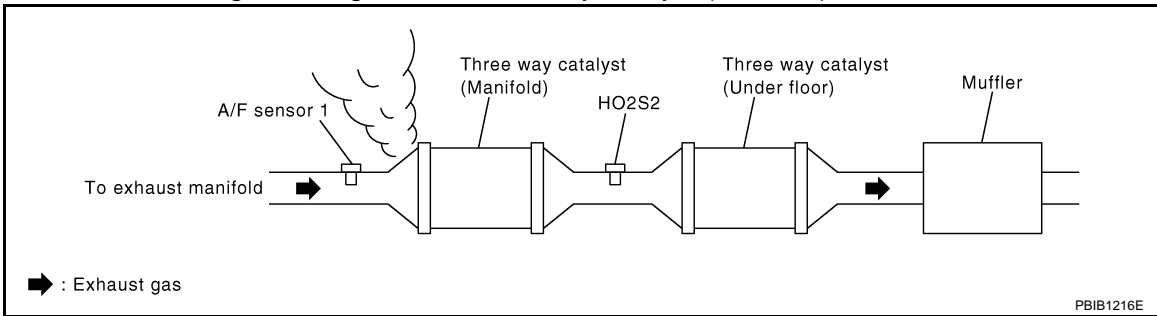
< COMPONENT DIAGNOSIS >

## Diagnosis Procedure

INFOID:000000003936589

### 1. CHECK EXHAUST GAS LEAKAGE

1. Start engine and run it at idle.
2. Listen for an exhaust gas leakage before three way catalyst (manifold).



**OK or NG**

- OK >> GO TO 2.
- NG >> Repair or replace malfunctioning part.

### 2. CHECK FOR INTAKE AIR LEAKAGE

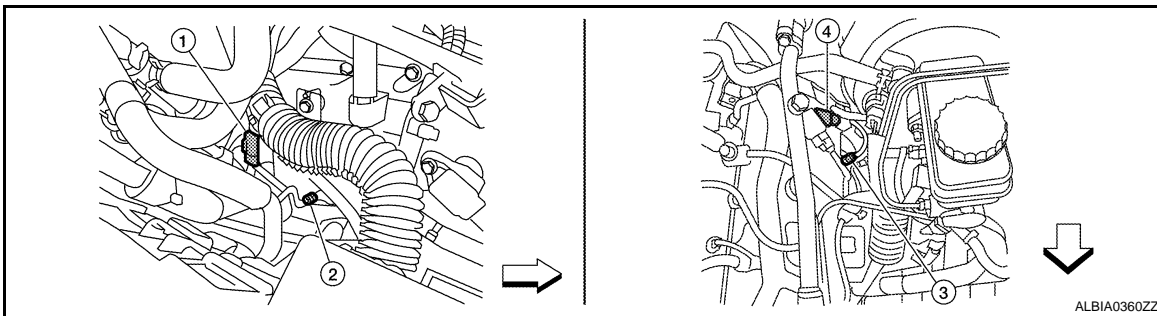
1. Listen for an intake air leakage after the mass air flow sensor.
2. Check PCV hose connection.

**OK or NG**

- OK >> GO TO 3.
- NG >> Repair or replace malfunctioning part.

### 3. CHECK AIR FUEL RATIO SENSOR 1 INPUT SIGNAL CIRCUIT

1. Turn ignition switch OFF.
2. Disconnect corresponding air fuel ratio (A/F) sensor 1 harness connector.



1. A/F sensor 1 (bank 2) harness connector
2. A/F sensor 1 (bank 2)
3. A/F sensor 1 (bank 1)
4. A/F sensor 1 (bank 1) harness connector

↶ : Vehicle front

3. Disconnect ECM harness connector.
4. Check harness continuity between A/F sensor 1 terminals and ECM terminals as per the following. Refer to Wiring Diagram.

	A/F sensor 1 terminal	ECM terminal
Bank 1	1	35
	2	56
Bank 2	1	16
	2	75

**Continuity should exist.**



# P0171, P0174 FUEL INJECTION SYSTEM FUNCTION

< COMPONENT DIAGNOSIS >

[VK56DE]

5. Check harness continuity between the following terminals and ground.  
Refer to Wiring Diagram.

Bank 1		Bank 2	
A/F sensor 1 terminal	ECM terminal	A/F sensor 1 terminal	ECM terminal
1	35	1	16
2	56	2	75

**Continuity should not exist.**

6. Also check harness for short to power.

OK or NG

OK >> GO TO 4.

NG >> Repair open circuit or short to ground or short to power in harness or connectors.

## 4. CHECK FUEL PRESSURE

1. Release fuel pressure to zero. Refer to [EC-951, "Fuel Pressure Check"](#).  
2. Install fuel pressure gauge and check fuel pressure. Refer to [EC-951, "Fuel Pressure Check"](#).

**At idling: Approximately 350 kPa (3.57 kg/cm<sup>2</sup>, 51 psi)**

OK or NG

OK >> GO TO 6.

NG >> GO TO 5.

## 5. DETECT MALFUNCTIONING PART

Check the following.

- Fuel pump and circuit (Refer to [EC-869, "Diagnosis Procedure"](#).)
- Fuel pressure regulator (Refer to [EC-951, "Fuel Pressure Check"](#).)
- Fuel lines (Refer to [FL-5, "Checking Fuel Line"](#).)
- Fuel filter for clogging

>> Repair or replace malfunctioning part.

## 6. CHECK MASS AIR FLOW SENSOR

 **With CONSULT-III**

1. Install all removed parts.
2. Check "MASS AIR FLOW" in "DATA MONITOR" mode with CONSULT-III.

**3.0 - 9.0 g-m/sec: At idling**

**9.0 - 28.0 g-m/sec: At 2,500 rpm**

 **With GST**

1. Install all removed parts.
2. Check mass air flow sensor signal in Service \$01 with GST.

**3.0 - 9.0 g-m/sec: at idling**

**9.0 - 28.0 g-m/sec: at 2,500 rpm**

OK or NG

OK >> GO TO 7.

NG >> Check connectors for rusted terminals or loose connections in the mass air flow sensor circuit or grounds. Refer to [EC-595, "Diagnosis Procedure"](#).

## 7. CHECK FUNCTION OF FUEL INJECTOR

 **With CONSULT-III**

1. Start engine.
2. Perform "POWER BALANCE" in "ACTIVE TEST" mode with CONSULT-III.



# P0171, P0174 FUEL INJECTION SYSTEM FUNCTION

[VK56DE]

## < COMPONENT DIAGNOSIS >

3. Check that each circuit produces a momentary engine speed drop.

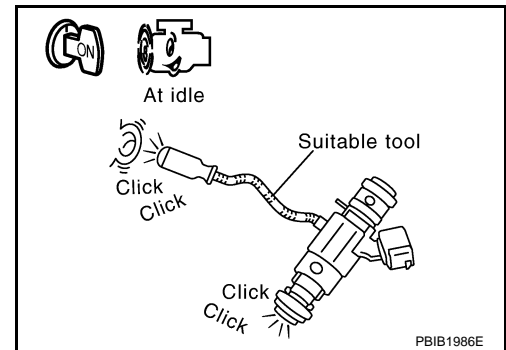
### ⊗ Without CONSULT-III

1. Start engine.
2. Listen to each fuel injector operating sound.

**Clicking noise should be heard.**

### OK or NG

- OK >> GO TO 8.  
NG >> Perform trouble diagnosis for FUEL INJECTOR, refer to [EC-866. "Diagnosis Procedure"](#).



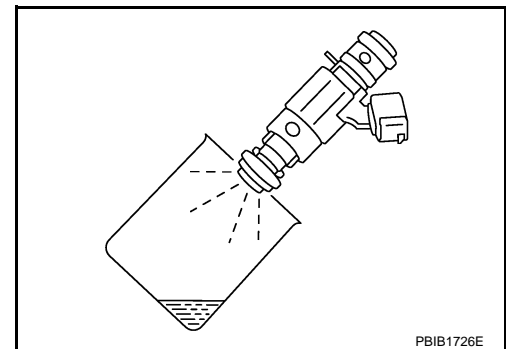
## 8. CHECK FUEL INJECTOR

1. Confirm that the engine is cooled down and there are no fire hazards near the vehicle.
2. Turn ignition switch OFF.
3. Disconnect all fuel injector harness connectors.
4. Remove fuel injector gallery assembly. Refer to [EM-182. "Removal and Installation"](#).  
Keep fuel hose and all fuel injectors connected to fuel injector gallery.
5. For DTC P0171, reconnect fuel injector harness connectors on bank 1.  
For DTC P0174, reconnect fuel injector harness connectors on bank 2.
6. Disconnect all ignition coil harness connectors.
7. Prepare pans or saucers under each fuel injector.
8. Crank engine for approximately 3 seconds.  
For DTC P0171, check that fuel sprays out from fuel injectors on bank 1.  
For DTC P0174, check that fuel sprays out from fuel injectors on bank 2.

**Fuel should be sprayed evenly for each fuel injector.**

### OK or NG

- OK >> GO TO 9.  
NG >> Replace fuel injectors from which fuel does not spray out. Always replace O-ring with new ones.



## 9. CHECK INTERMITTENT INCIDENT

Refer to [GI-49. "Intermittent Incident"](#).

>> INSPECTION END

# P0172, P0175 FUEL INJECTION SYSTEM FUNCTION

< COMPONENT DIAGNOSIS >

[VK56DE]

## P0172, P0175 FUEL INJECTION SYSTEM FUNCTION

### On Board Diagnosis Logic

INFOID:000000003936590

With the Air/Fuel Mixture Ratio Self-Learning Control, the actual mixture ratio can be brought closely to the theoretical mixture ratio based on the mixture ratio feedback signal from A/F sensor 1. The ECM calculates the necessary compensation to correct the offset between the actual and the theoretical ratios.

In case the amount of the compensation value is extremely large (the actual mixture ratio is too rich), the ECM judges the condition as the fuel injection system malfunction and illuminates the MIL (2 trip detection logic).

Sensor	Input signal to ECM	ECM function	Actuator
A/F sensor 1	Density of oxygen in exhaust gas (Mixture ratio feedback signal)	Fuel injection control	Fuel injector

DTC No.	Trouble diagnosis name	DTC detecting condition	Possible cause
P0172 0172 (Bank 1)	Fuel injection system too rich	<ul style="list-style-type: none"> <li>Fuel injection system does not operate properly.</li> <li>The amount of mixture ratio compensation is too large. (The mixture ratio is too rich.)</li> </ul>	<ul style="list-style-type: none"> <li>A/F sensor 1</li> <li>Fuel injector</li> <li>Exhaust gas leakage</li> <li>Incorrect fuel pressure</li> <li>Mass air flow sensor</li> </ul>
P0175 0175 (Bank 2)			

### DTC Confirmation Procedure

INFOID:000000003936591

#### NOTE:

If DTC Confirmation Procedure has been previously conducted, always perform the following procedure before conducting the next step.

1. Turn ignition switch OFF and wait at least 10 seconds.
2. Turn ignition switch ON.
3. Turn ignition switch OFF and wait at least 10 seconds.

#### Ⓟ WITH CONSULT-III

1. Start engine and warm it up to normal operating temperature.
2. Turn ignition switch OFF and wait at least 10 seconds.
3. Turn ignition switch ON.
4. Turn ignition switch OFF and wait at least 10 seconds.
5. Turn ignition switch ON and select "SELF-LEARNING CONT" in "WORK SUPPORT" mode with CONSULT-III.
6. Clear the self-learning control coefficient by touching "CLEAR".
7. Start engine.  
If it is difficult to start engine, the fuel injection system has a malfunction. Performing the following procedure is advised.
  - a. Crank engine while depressing accelerator pedal.
 

**NOTE:**  
When depressing accelerator pedal three-fourths (3/4) or more, the control system does not start the engine. Do not depress accelerator pedal too much.
  - b. If engine starts, go to [EC-663, "Diagnosis Procedure"](#).  
If engine does not start, remove spark plugs and check for fouling, etc.
8. Keep engine at idle for at least 5 minutes.
9. Check 1st trip DTC.
10. The 1st trip DTC P0172 or P0175 should be detected at this stage, if a malfunction exists. If so, go to [EC-663, "Diagnosis Procedure"](#).

#### NOTE:

If 1st trip DTC is not detected during above procedure, performing the following procedure is advised.

- a. Turn ignition switch OFF and wait at least 10 seconds.
- b. Start engine.

# P0172, P0175 FUEL INJECTION SYSTEM FUNCTION

< COMPONENT DIAGNOSIS >

[VK56DE]

- c. Maintain the following conditions for at least 10 consecutive minutes.  
**Hold the accelerator pedal as steady as possible.**

VHCL SPEED SE	50 - 120 km/h (31 - 75 MPH)
---------------	-----------------------------

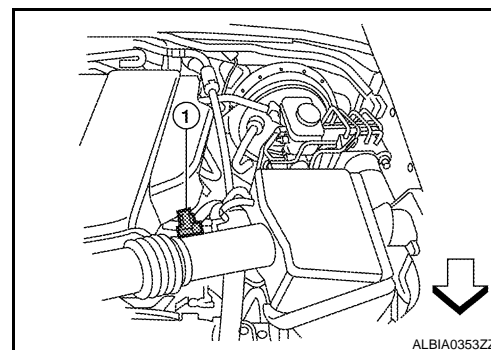
**CAUTION:**

**Always drive vehicle at a safe speed.**

- d. Check 1st trip DTC.  
e. If 1st trip DTC is detected, go to [EC-663, "Diagnosis Procedure"](#).

**WITH GST**

1. Start engine and warm it up to normal operating temperature.
2. Turn ignition switch OFF and wait at least 10 seconds.
3. Turn ignition switch ON.
4. Turn ignition switch OFF and wait at least 10 seconds.
5. Disconnect mass air flow sensor (1) harness connector.
  - ↵ : Vehicle front
6. Restart engine and let it idle for at least 5 seconds.
7. Stop engine and reconnect mass air flow sensor harness connector.
8. Select Service \$03 with GST. Check that DTC P0102 is detected.
9. Select Service \$04 with GST and erase the DTC P0102.
10. Start engine.  
If it is difficult to start engine, the fuel injection system has a malfunction.



Performing the following procedure is advised.

- a. Crank engine while depressing accelerator pedal.

**NOTE:**

When depressing accelerator pedal three-fourths (3/4) or more, the control system does not start the engine. Do not depress accelerator pedal too much.

- b. If engine starts, go to [EC-663, "Diagnosis Procedure"](#).  
If engine does not start, remove spark plugs and check for fouling, etc.
11. Keep engine at idle for at least 5 minutes.
12. Check 1st trip DTC.
13. The 1st trip DTC P0172 or P0175 should be detected at this stage, if a malfunction exists. If so, go to [EC-663, "Diagnosis Procedure"](#).

**NOTE:**

If 1st trip DTC is not detected during above procedure, performing the following procedure is advised.

- a. Turn ignition switch OFF and wait at least 10 seconds.
- b. Start engine.
- c. Maintain the following conditions for at least 10 consecutive minutes.  
**Hold the accelerator pedal as steady as possible.**

VHCL SPEED SE	50 - 120 km/h (31 - 75 MPH)
---------------	-----------------------------

**CAUTION:**

**Always drive vehicle at a safe speed.**

- d. Check 1st trip DTC.  
e. If 1st trip DTC is detected, go to [EC-663, "Diagnosis Procedure"](#).

## Diagnosis Procedure

INFOID:0000000003936592

### 1. CHECK EXHAUST GAS LEAKAGE

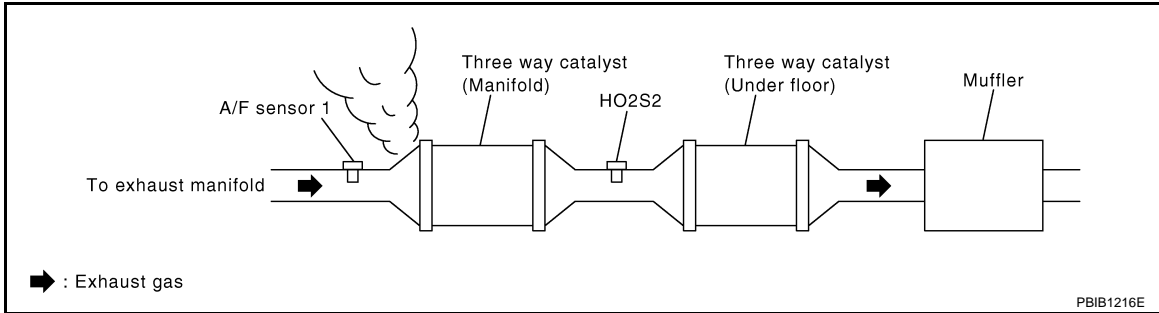
1. Start engine and run it at idle.

# P0172, P0175 FUEL INJECTION SYSTEM FUNCTION

[VK56DE]

## < COMPONENT DIAGNOSIS >

- Listen for an exhaust gas leakage before three way catalyst (manifold).



### OK or NG

- OK >> GO TO 2.
- NG >> Repair or replace malfunctioning part.

## 2.CHECK FOR INTAKE AIR LEAKAGE

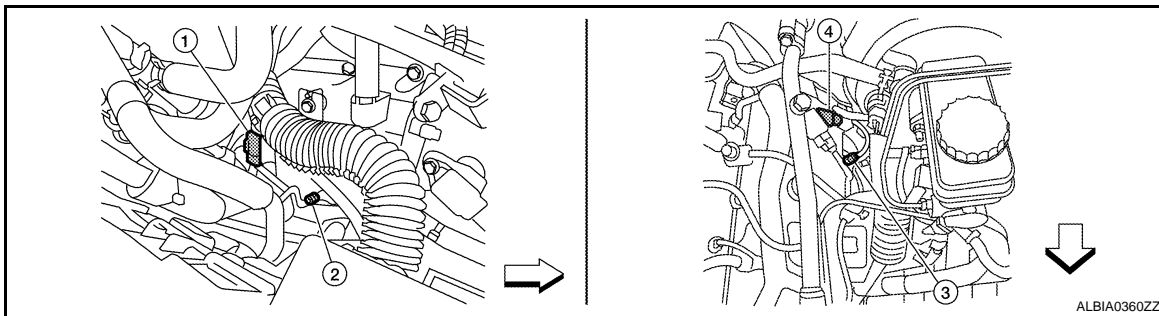
Listen for an intake air leakage after the mass air flow sensor.

### OK or NG

- OK >> GO TO 3.
- NG >> Repair or replace malfunctioning part.

## 3.CHECK AIR FUEL RATIO SENSOR 1 INPUT SIGNAL CIRCUIT

- Turn ignition switch OFF.
- Disconnect corresponding air fuel ratio (A/F) sensor 1 harness connector.



- A/F sensor 1 (bank 2) harness connector
- A/F sensor 1 (bank 2)
- A/F sensor 1 (bank 1)
- A/F sensor 1 (bank 1) harness connector

↙ : Vehicle front

- Disconnect ECM harness connector.
- Check harness continuity between A/F sensor 1 terminals and ECM terminals as per the following. Refer to Wiring Diagram.

	A/F sensor 1 terminal	ECM terminal
Bank 1	1	35
	2	56
Bank 2	1	16
	2	75

**Continuity should exist.**

- Check harness continuity between the following terminals and ground. Refer to Wiring Diagram.

# P0172, P0175 FUEL INJECTION SYSTEM FUNCTION

< COMPONENT DIAGNOSIS >

[VK56DE]

Bank 1		Bank 2	
A/F sensor 1 terminal	ECM terminal	A/F sensor 1 terminal	ECM terminal
1	35	1	16
2	56	2	75

**Continuity should not exist.**

6. Also check harness for short to power.

OK or NG

OK >> GO TO 4.

NG >> Repair open circuit or short to ground or short to power in harness or connectors.

## 4. CHECK FUEL PRESSURE

1. Release fuel pressure to zero. Refer to [EC-951, "Fuel Pressure Check"](#).
2. Install fuel pressure gauge and check fuel pressure. Refer to [EC-951, "Fuel Pressure Check"](#).

**At idling: Approximately 350 kPa (3.57 kg/cm<sup>2</sup>, 51 psi)**

OK or NG

OK >> GO TO 6.

NG >> GO TO 5.

## 5. DETECT MALFUNCTIONING PART

Check the following.

- Fuel pump and circuit (Refer to [EC-869, "Diagnosis Procedure"](#).)
- Fuel pressure regulator (Refer to [EC-951, "Fuel Pressure Check"](#).)

>> Repair or replace malfunctioning part.

## 6. CHECK MASS AIR FLOW SENSOR

 **With CONSULT-III**

1. Install all removed parts.
2. Check "MASS AIR FLOW" in "DATA MONITOR" mode with CONSULT-III.

**3.0 - 9.0 g-m/sec: At idling**

**9.0 - 28.0 g-m/sec: At 2,500 rpm**

 **With GST**

1. Install all removed parts.
2. Check mass air flow sensor signal in Service \$01 with GST.

**3.0 - 9.0 g-m/sec: At idling**

**9.0 - 28.0 g-m/sec: At 2,500 rpm**

OK or NG


OK >> GO TO 7.

NG >> Check connectors for rusted terminals or loose connections in the mass air flow sensor circuit or grounds. Refer to [EC-595, "Diagnosis Procedure"](#).

## 7. CHECK FUNCTION OF FUEL INJECTOR

 **With CONSULT-III**

1. Start engine.
2. Perform "POWER BALANCE" in "ACTIVE TEST" mode with CONSULT-III.
3. Check that each circuit produces a momentary engine speed drop.

 **Without CONSULT-III**

1. Start engine.

# P0172, P0175 FUEL INJECTION SYSTEM FUNCTION

[VK56DE]

## < COMPONENT DIAGNOSIS >

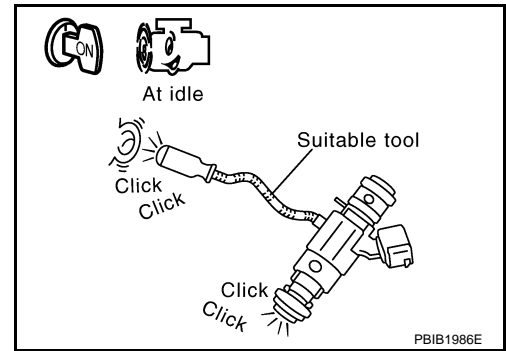
2. Listen to each fuel injector operating sound.

**Clicking noise should be heard.**

### OK or NG

OK >> GO TO 8.

NG >> Perform trouble diagnosis for FUEL INJECTOR, refer to [EC-866. "Diagnosis Procedure"](#).



## 8. CHECK FUEL INJECTOR

1. Remove fuel injector assembly. Refer to [EM-182. "Removal and Installation"](#).  
Keep fuel hose and all fuel injectors connected to fuel injector gallery.
2. Confirm that the engine is cooled down and there are no fire hazards near the vehicle.
3. Disconnect all fuel injector harness connectors.
4. Disconnect all ignition coil harness connectors.
5. Prepare pans or saucers under each fuel injector.
6. Crank engine for approximately 3 seconds.  
Check that fuel does not drip from fuel injector.

### OK or NG

OK (Does not drip.)>>GO TO 9.

NG (Drips.)>>Replace the fuel injectors from which fuel is dripping. Always replace O-ring with new one.

## 9. CHECK INTERMITTENT INCIDENT

Refer to [GI-49. "Intermittent Incident"](#).

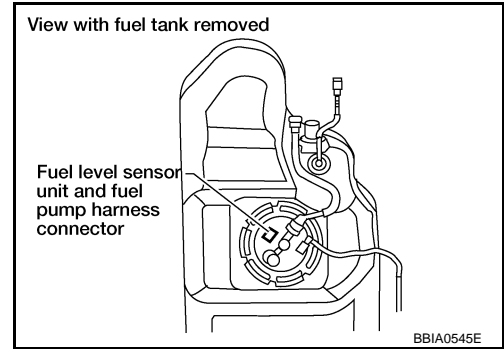
**>> INSPECTION END**

P0181 FTT SENSOR

Component Description

INFOID:000000004333359

The fuel tank temperature sensor is used to detect the fuel temperature inside the fuel tank. The sensor modifies a voltage signal from the ECM. The modified signal returns to the ECM as the fuel temperature input. The sensor uses a thermistor which is sensitive to the change in temperature. The electrical resistance of the thermistor decreases as temperature increases.



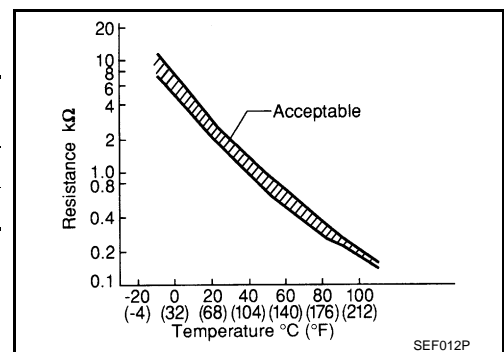
<Reference data>

Fluid temperature [°C (°F)]	Voltage* (V)	Resistance (kΩ)
20 (68)	3.5	2.3 - 2.7
50 (122)	2.2	0.79 - 0.90

\*: These data are reference values and are measured between ECM terminal 107 (Fuel tank temperature sensor) and ground.

**CAUTION:**

**Never use ECM ground terminals when measuring input/output voltage. Doing so may result in damage to the ECM's transistor. Use a ground other than ECM terminals, such as the ground.**



On Board Diagnosis Logic

INFOID:0000000003936594

DTC No.	Trouble diagnosis name	DTC detecting condition	Possible cause
P0181 0181	Fuel tank temperature sensor circuit range/performance	Rationally incorrect voltage from the sensor is sent to ECM, compared with the voltage signals from engine coolant temperature sensor and intake air temperature sensor.	<ul style="list-style-type: none"> <li>• Harness or connectors (The sensor circuit is open or shorted)</li> <li>• Fuel tank temperature sensor</li> </ul>

DTC Confirmation Procedure

INFOID:0000000003936595

**NOTE:**

If DTC Confirmation Procedure has been previously conducted, always perform the following procedure before conducting the next step.

1. Turn ignition switch OFF and wait at least 10 seconds.
2. Turn ignition switch ON.
3. Turn ignition switch OFF and wait at least 10 seconds.

ⓐ WITH CONSULT-III

1. Turn ignition switch ON and wait at least 10 seconds.
2. Check 1st trip DTC.  
If 1st trip DTC is detected, go to [EC-668, "Diagnosis Procedure"](#).  
If 1st trip DTC is not detected, go to the following step.
3. Select "DATA MONITOR" mode with CONSULT-III.
4. Check "COOLAN TEMP/S" indication.  
If the "COOLAN TEMP/S" is less than 60°C (140°F), the result will be OK.  
If the "COOLAN TEMP/S" indication is above 60°C (140°F), go to the following step.
5. Cool engine down until "COOLAN TEMP/S" indication is less than 60°C (140°F).

< COMPONENT DIAGNOSIS >

6. Wait at least 10 seconds.
7. Check 1st trip DTC.
8. If 1st trip DTC is detected, go to [EC-668. "Diagnosis Procedure"](#).

 WITH GST

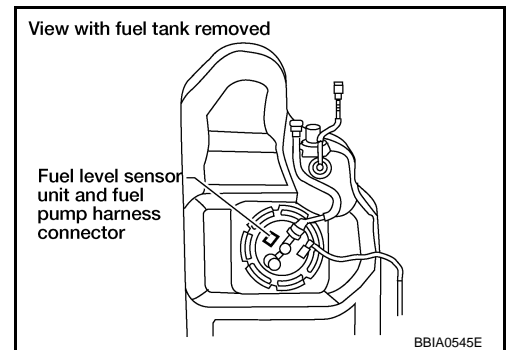
Follow the procedure "WITH CONSULT-III" above.

## Diagnosis Procedure

INFOID:000000004333361

### 1. CHECK FUEL TANK TEMPERATURE SENSOR POWER SUPPLY CIRCUIT

1. Turn ignition switch OFF.
2. Disconnect "fuel level sensor unit and fuel pump" harness connector.
3. Turn ignition switch ON.

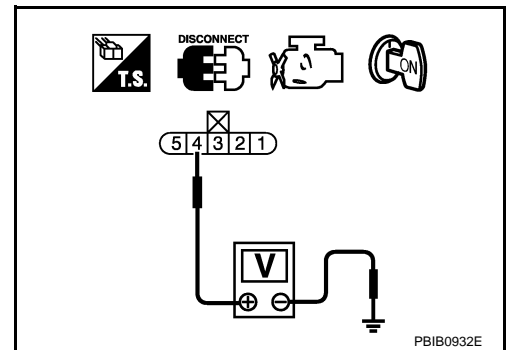


4. Check voltage between "fuel level sensor unit and fuel pump" terminal 4 and ground with CONSULT-III or tester.

**Voltage: Approximately 5 V**

OK or NG

- OK >> GO TO 3.  
 NG >> GO TO 2.



### 2. DETECT MALFUNCTIONING PART

Check the following.

- Harness connectors C1, E41
- Harness for open or short between ECM and "fuel level sensor unit and fuel pump"

>> Repair harness or connector.

### 3. CHECK FUEL TANK TEMPERATURE SENSOR GROUND CIRCUIT FOR OPEN AND SHORT

1. Turn ignition switch OFF.
2. Check harness continuity between "fuel level sensor unit and fuel pump" terminal 3 and ground. Refer to Wiring Diagram.

**Continuity should exist.**

3. Also check harness for short to power.

OK or NG

- OK >> GO TO 5.  
 NG >> GO TO 4.

### 4. DETECT MALFUNCTIONING PART

Check the following.

- Harness connectors C1, E41
- Harness for open or short between "fuel level sensor unit and fuel pump" and ground



>> Repair open circuit or short to power in harness or connector.

**5. CHECK FUEL TANK TEMPERATURE SENSOR**

Refer to [EC-669. "Component Inspection"](#).

**OK or NG**

OK >> GO TO 6.

NG >> Replace "fuel level sensor unit fuel pump".

**6. CHECK INTERMITTENT INCIDENT**

Refer to [GI-49. "Intermittent Incident"](#).

>> **INSPECTION END**

**Component Inspection**

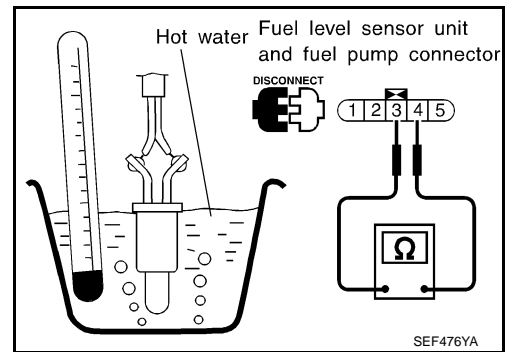
INFOID:000000004333360

**FUEL TANK TEMPERATURE SENSOR**

1. Remove "fuel level sensor unit and fuel pump".
2. Check resistance between "fuel level sensor unit and fuel pump" terminals 3 and 4 by heating with hot water as shown in the figure.

Temperature [°C (°F)]	Resistance (kΩ)
20 (68)	2.3 - 2.7
50 (122)	0.79 - 0.90

3. If NG, replace "fuel level sensor unit and fuel pump".



SEF476YA

# P0182, P0183 FTT SENSOR

< COMPONENT DIAGNOSIS >

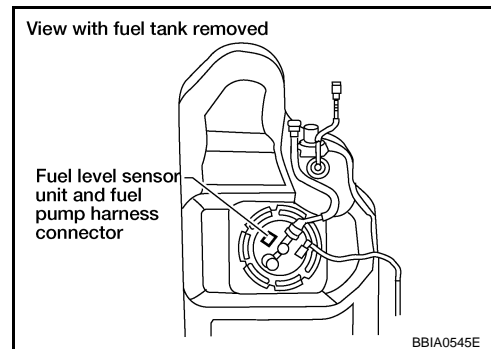
[VK56DE]

## P0182, P0183 FTT SENSOR

### Component Description

INFOID:000000003936598

The fuel tank temperature sensor is used to detect the fuel temperature inside the fuel tank. The sensor modifies a voltage signal from the ECM. The modified signal returns to the ECM as the fuel temperature input. The sensor uses a thermistor which is sensitive to the change in temperature. The electrical resistance of the thermistor decreases as temperature increases.



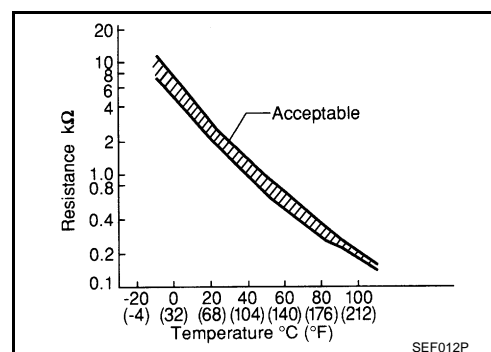
### <Reference data>

Fluid temperature [°C (°F)]	Voltage* (V)	Resistance (kΩ)
20 (68)	3.5	2.3 - 2.7
50 (122)	2.2	0.79 - 0.90

\*: These data are reference values and are measured between ECM terminal 107 (Fuel tank temperature sensor) and ground.

#### CAUTION:

**Never use ECM ground terminals when measuring input/output voltage. Doing so may result in damage to the ECM's transistor. Use a ground other than ECM terminals, such as the ground.**



### On Board Diagnosis Logic

INFOID:000000003936599

DTC No.	Trouble diagnosis name	DTC detecting condition	Possible cause
P0182 0182	Fuel tank temperature sensor circuit low input	An excessively low voltage from the sensor is sent to ECM.	<ul style="list-style-type: none"> <li>Harness or connectors (The sensor circuit is open or shorted.)</li> </ul>
P0183 0183	Fuel tank temperature sensor circuit high input	An excessively high voltage from the sensor is sent to ECM.	<ul style="list-style-type: none"> <li>Fuel tank temperature sensor</li> </ul>

### DTC Confirmation Procedure

INFOID:000000003936600

1. If DTC Confirmation Procedure has been previously conducted, always perform the following procedure before conducting the next step.
  - a. Turn ignition switch OFF and wait at least 10 seconds.
  - b. Turn ignition switch ON.
  - c. Turn ignition switch OFF and wait at least 10 seconds.
2. Turn ignition switch ON.
3. Wait at least 5 seconds.
4. Check 1st trip DTC.
5. If 1st trip DTC is detected, go to [EC-670. "Diagnosis Procedure"](#).

### Diagnosis Procedure

INFOID:000000003936601

#### 1. CHECK FUEL TANK TEMPERATURE SENSOR POWER SUPPLY CIRCUIT

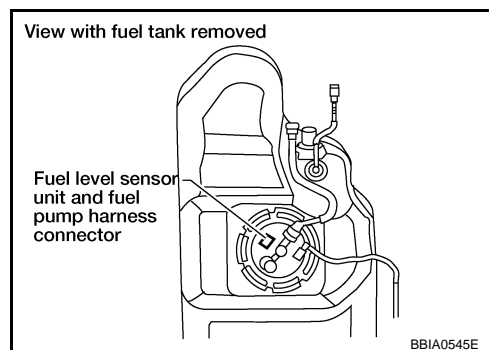
1. Turn ignition switch OFF.

# P0182, P0183 FTT SENSOR

[VK56DE]

## < COMPONENT DIAGNOSIS >

2. Disconnect "fuel level sensor unit and fuel pump" harness connector.
3. Turn ignition switch ON.

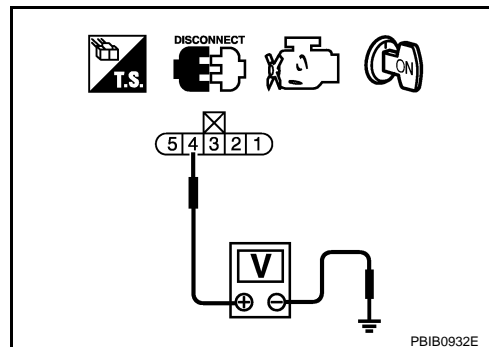


4. Check voltage between "fuel level sensor unit and fuel pump" terminal 4 and ground with CONSULT-III or tester.

**Voltage: Approximately 5 V**

### OK or NG

- OK >> GO TO 3.
- NG >> GO TO 2.



## 2.DETECT MALFUNCTIONING PART

Check the following.

- Harness connectors C1, E41
- Harness for open or short between ECM and "fuel level sensor unit and fuel pump"

>> Repair harness or connector.

## 3.CHECK FUEL TANK TEMPERATURE SENSOR GROUND CIRCUIT FOR OPEN AND SHORT

1. Turn ignition switch OFF.
2. Check harness continuity between "fuel level sensor unit and fuel pump" terminal 3 and ground. Refer to Wiring Diagram.

**Continuity should exist.**

3. Also check harness for short to power.

### OK or NG

- OK >> GO TO 5.
- NG >> GO TO 4.

## 4.DETECT MALFUNCTIONING PART

Check the following.

- Harness connectors C1, E41
- Harness for open or short between "fuel level sensor unit and fuel pump" and ground

>> Repair open circuit or short to power in harness or connector.

## 5.CHECK FUEL TANK TEMPERATURE SENSOR

Refer to [EC-672. "Component Inspection"](#).

### OK or NG

- OK >> GO TO 6.
- NG >> Replace "fuel level sensor unit fuel pump".

## 6.CHECK INTERMITTENT INCIDENT

Refer to [GI-49. "Intermittent Incident"](#).

>> INSPECTION END

Component Inspection

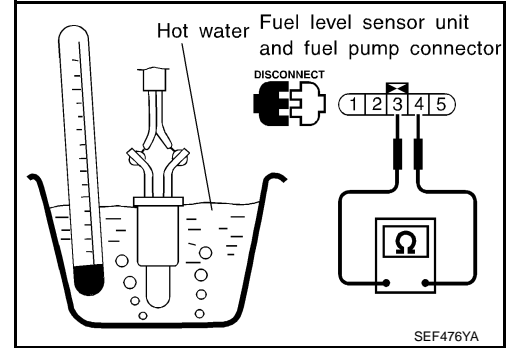
INFOID:000000003936602

FUEL TANK TEMPERATURE SENSOR

1. Remove "fuel level sensor unit and fuel pump".
2. Check resistance between "fuel level sensor unit and fuel pump" terminals 3 and 4 by heating with hot water as shown in the figure.

Temperature [°C (°F)]	Resistance (kΩ)
20 (68)	2.3 - 2.7
50 (122)	0.79 - 0.90

3. If NG, replace "fuel level sensor unit and fuel pump".



# P0222, P0223 TP SENSOR

< COMPONENT DIAGNOSIS >

[VK56DE]

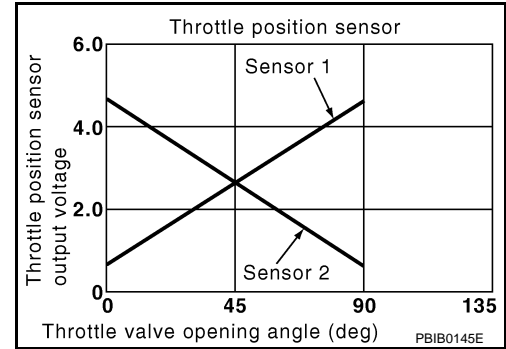
## P0222, P0223 TP SENSOR

### Component Description

INFOID:000000004333342

Electric throttle control actuator consists of throttle control motor, throttle position sensor, etc. The throttle position sensor responds to the throttle valve movement.

The throttle position sensor has the two sensors. These sensors are a kind of potentiometer which transform the throttle valve position into output voltage, and emit the voltage signals to the ECM. The ECM judges the current opening angle of the throttle valve from these signals and controls the throttle valve in response to driving conditions via the throttle control motor.



### On Board Diagnosis Logic

INFOID:000000003936604

**These self-diagnoses have the one trip detection logic.**

DTC No.	Trouble diagnosis name	DTC detecting condition	Possible cause
P0222 0222	Throttle position sensor 1 circuit low input	An excessively low voltage from the TP sensor 1 is sent to ECM.	<ul style="list-style-type: none"> <li>• Harness or connectors (TP sensor 1 circuit is open or shorted.) (APP sensor 2 circuit is shorted.)</li> <li>• Electric throttle control actuator (TP sensor 1)</li> <li>• Accelerator pedal position sensor (APP sensor 2)</li> </ul>
P0223 0223	Throttle position sensor 1 circuit high input	An excessively high voltage from the TP sensor 1 is sent to ECM.	

### FAIL-SAFE MODE

When the malfunction is detected, ECM enters fail-safe mode and the MIL illuminates.

#### Engine operation condition in fail-safe mode

The ECM controls the electric throttle control actuator in regulating the throttle opening in order for the idle position to be within +10 degrees.

The ECM regulates the opening speed of the throttle valve to be slower than the normal condition.

So, the acceleration will be poor.

### DTC Confirmation Procedure

INFOID:000000003936605

#### NOTE:

If DTC Confirmation Procedure has been previously conducted, always perform the following procedure before conducting the next step.

1. Turn ignition switch OFF and wait at least 10 seconds.
2. Turn ignition switch ON.
3. Turn ignition switch OFF and wait at least 10 seconds.

#### TESTING CONDITION:

**Before performing the following procedure, confirm that battery voltage is more than 8 V at idle.**

1. Start engine and let it idle for 1 second.
2. Check DTC.
3. If DTC is detected, go to [EC-673. "Diagnosis Procedure"](#).

### Diagnosis Procedure

INFOID:000000003936606

#### 1. CHECK GROUND CONNECTIONS

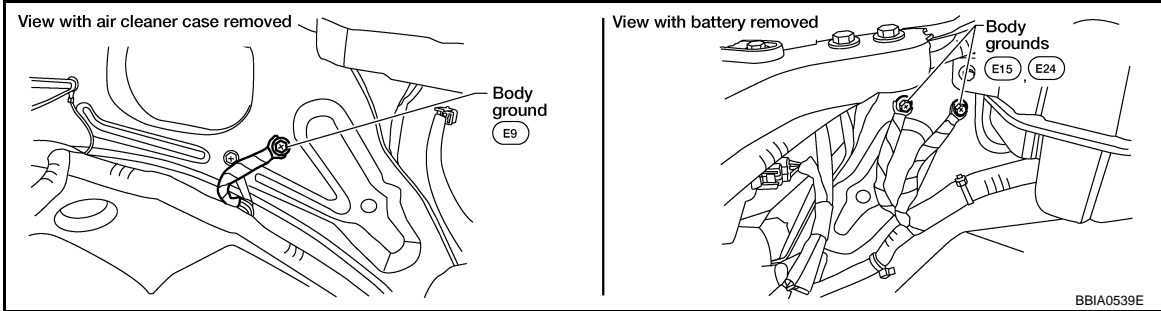
1. Turn ignition switch OFF.
2. Loosen and retighten ground screws on the body.

# P0222, P0223 TP SENSOR

[VK56DE]

## < COMPONENT DIAGNOSIS >

Refer to [EC-568, "Ground Inspection"](#).

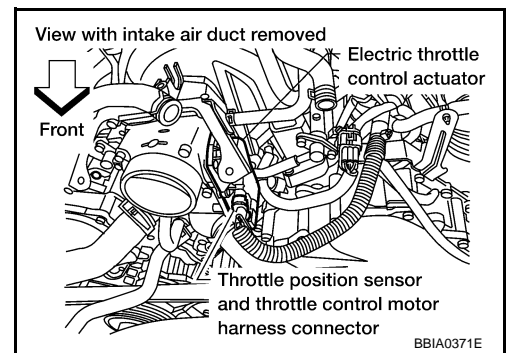


### OK or NG

- OK >> GO TO 2.
- NG >> Repair or replace ground connections.

## 2. CHECK THROTTLE POSITION SENSOR 1 POWER SUPPLY CIRCUIT-I

1. Disconnect electric throttle control actuator harness connector.
2. Turn ignition switch ON.

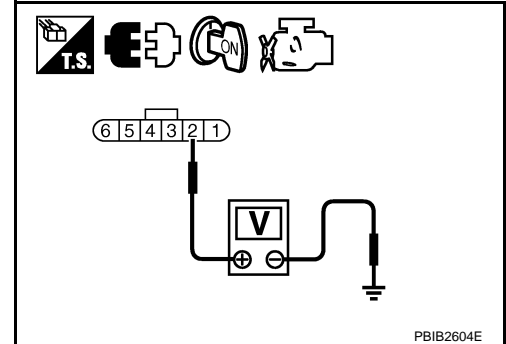


3. Check voltage between electric throttle control actuator terminal 2 and ground with CONSULT-III or tester.

**Voltage: Approximately 5 V**

### OK or NG

- OK >> GO TO 7.
- NG >> GO TO 3.



## 3. CHECK THROTTLE POSITION SENSOR 1 POWER SUPPLY CIRCUIT-II

1. Turn ignition switch OFF.
2. Disconnect ECM harness connector.
3. Check harness continuity between electric throttle control actuator terminal 2 and ECM terminal 47. Refer to Wiring Diagram.

**Continuity should exist.**

### OK or NG

- OK >> GO TO 4.
- NG >> Repair open circuit.

## 4. CHECK SENSOR POWER SUPPLY CIRCUIT

Check harness for short to power and short to ground, between the following terminals.

ECM terminal	Sensor terminal	Reference Wiring Diagram
47	Electric throttle control actuator terminal 2	<a href="#">EC-899, "Wiring Diagram - ENGINE CONTROL SYSTEM -"</a>
91	APP sensor terminal 1	

# P0222, P0223 TP SENSOR

[VK56DE]

< COMPONENT DIAGNOSIS >

OK or NG

- OK >> GO TO 5.
- NG >> Repair short to ground or short to power in harness or connectors.

## 5. CHECK ACCELERATOR PEDAL POSITION SENSOR

Refer to [EC-851, "Component Inspection"](#).

OK or NG

- OK >> GO TO 11.
- NG >> GO TO 6.

## 6. REPLACE ACCELERATOR PEDAL ASSEMBLY

1. Replace the accelerator pedal assembly.
2. Perform [EC-500, "Accelerator Pedal Released Position Learning"](#).
3. Perform [EC-500, "Throttle Valve Closed Position Learning"](#).
4. Perform [EC-500, "Idle Air Volume Learning"](#).

>> **INSPECTION END**

## 7. CHECK THROTTLE POSITION SENSOR 1 GROUND CIRCUIT FOR OPEN AND SHORT

1. Turn ignition switch OFF.
2. Disconnect ECM harness connector.
3. Check harness continuity between electric throttle control actuator terminal 4 and ECM terminal 66.  
Refer to Wiring Diagram.

**Continuity should exist.**

4. Also check harness for short to ground and short to power.

OK or NG

- OK >> GO TO 8.
- NG >> Repair open circuit or short to ground or short to power in harness or connectors.

## 8. CHECK THROTTLE POSITION SENSOR 1 INPUT SIGNAL CIRCUIT FOR OPEN AND SHORT

1. Check harness continuity between ECM terminal 50 and electric throttle control actuator terminal 1.  
Refer to Wiring Diagram.

**Continuity should exist.**

2. Also check harness for short to ground and short to power.

OK or NG

- OK >> GO TO 9.
- NG >> Repair open circuit or short to ground or short to power in harness or connectors.

## 9. CHECK THROTTLE POSITION SENSOR

Refer to [EC-676, "Component Inspection"](#).

OK or NG

- OK >> GO TO 11.
- NG >> GO TO 10.

## 10. REPLACE ELECTRIC THROTTLE CONTROL ACTUATOR

1. Replace the electric throttle control actuator.
2. Perform [EC-500, "Throttle Valve Closed Position Learning"](#).
3. Perform [EC-500, "Idle Air Volume Learning"](#).

>> **INSPECTION END**

## 11. CHECK INTERMITTENT INCIDENT

Refer to [GI-49, "Intermittent Incident"](#).

>> INSPECTION END

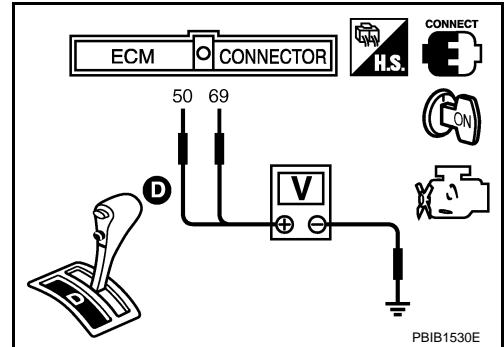
Component Inspection

INFOID:00000000433343

THROTTLE POSITION SENSOR

1. Reconnect all harness connectors disconnected.
2. Perform [EC-500, "Throttle Valve Closed Position Learning"](#).
3. Turn ignition switch ON.
4. Shift selector lever to the D position.
5. Check voltage between ECM terminals 50 (TP sensor 1 signal) and ground, 69 (TP sensor 2 signal) and ground under the following conditions.

Terminal	Accelerator pedal	Voltage
50 (Throttle position sensor 1)	Fully released	More than 0.36V
	Fully depressed	Less than 4.75V
69 (Throttle position sensor 2)	Fully released	Less than 4.75V
	Fully depressed	More than 0.36V



6. If NG, replace electric throttle control actuator and go to the next step.
7. Perform [EC-500, "Throttle Valve Closed Position Learning"](#).
8. Perform [EC-500, "Idle Air Volume Learning"](#).



# P0300, P0301, P0302, P0303, P0304, P0305, P0306, P0307, P0308 MISFIRE

< COMPONENT DIAGNOSIS >

[VK56DE]

## P0300, P0301, P0302, P0303, P0304, P0305, P0306, P0307, P0308 MISFIRE

### On Board Diagnosis Logic

INFOID:000000003936608

When a misfire occurs, engine speed will fluctuate. If the engine speed fluctuates enough to cause the crankshaft position (CKP) sensor (POS) signal to vary, ECM can determine that a misfire is occurring.

Sensor	Input signal to ECM	ECM function
Crankshaft position sensor (POS)	Engine speed	On board diagnosis of misfire

The misfire detection logic consists of the following two conditions.

- One Trip Detection Logic (Three Way Catalyst Damage)**  
On the 1st trip, when a misfire condition occurs that can damage the three way catalyst (TWC) due to overheating, the MIL will blink.  
When a misfire condition occurs, the ECM monitors the CKP sensor signal every 200 engine revolutions for a change.  
When the misfire condition decreases to a level that will not damage the TWC, the MIL will turn off.  
If another misfire condition occurs that can damage the TWC on a second trip, the MIL will blink.  
When the misfire condition decreases to a level that will not damage the TWC, the MIL will remain on.  
If another misfire condition occurs that can damage the TWC, the MIL will begin to blink again.
- Two Trip Detection Logic (Exhaust quality deterioration)**  
For misfire conditions that will not damage the TWC (but will affect vehicle emissions), the MIL will only illuminate when the misfire is detected on a second trip. During this condition, the ECM monitors the CKP sensor signal every 1,000 engine revolutions.  
A misfire malfunction can be detected in any one cylinder or in multiple cylinders.

DTC No.	Trouble diagnosis name	DTC detecting condition	Possible cause
P0300 0300	Multiple cylinder misfires detected	Multiple cylinder misfire.	<ul style="list-style-type: none"><li>• Improper spark plug</li><li>• Insufficient compression</li><li>• Incorrect fuel pressure</li><li>• The fuel injector circuit is open or shorted</li><li>• Fuel injector</li><li>• Intake air leakage</li><li>• The ignition signal circuit is open or shorted</li><li>• Lack of fuel</li><li>• Signal plate</li><li>• Air fuel ratio (A/F) sensor 1</li><li>• Incorrect PCV hose connection</li></ul>
P0301 0301	No.1 cylinder misfire detected	No. 1 cylinder misfires.	
P0302 0302	No. 2 cylinder misfire detected	No. 2 cylinder misfires.	
P0303 0303	No. 3 cylinder misfire detected	No. 3 cylinder misfires.	
P0304 0304	No. 4 cylinder misfire detected	No. 4 cylinder misfires.	
P0305 0305	No. 5 cylinder misfire detected	No. 5 cylinder misfires.	
P0306 0306	No. 6 cylinder misfire detected	No. 6 cylinder misfires.	
P0307 0307	No. 7 cylinder misfire detected	No. 7 cylinder misfires.	
P0308 0308	No. 8 cylinder misfire detected	No. 8 cylinder misfires.	

### DTC Confirmation Procedure

INFOID:000000003936609

#### **CAUTION:**

**Always drive vehicle in safe manner according to traffic conditions and obey all traffic laws when driving.**

- If DTC Confirmation Procedure has been previously conducted, always perform the following procedure before conducting the next step.
  - Turn ignition switch OFF and wait at least 10 seconds.
  - Turn ignition switch ON.

# P0300, P0301, P0302, P0303, P0304, P0305, P0306, P0307, P0308 MISFIRE

< COMPONENT DIAGNOSIS >

[VK56DE]

- c. Turn ignition switch OFF and wait at least 10 seconds.
2. Start engine and warm it up to normal operating temperature.
3. Turn ignition switch OFF and wait at least 10 seconds.
4. Turn ignition switch ON.
5. Turn ignition switch OFF and wait at least 10 seconds.
6. Restart engine and let it idle for approximately 15 minutes.
7. Check 1st trip DTC.
8. If 1st trip DTC is detected, go to [EC-678, "Diagnosis Procedure"](#).

## NOTE:

If 1st trip DTC is not detected during above procedure, performing the following procedure is advised.

- a. Turn ignition switch OFF and wait at least 10 seconds.
- b. Turn ignition switch ON.
- c. Turn ignition switch OFF and wait at least 10 seconds.
- d. Start engine and drive the vehicle under similar conditions to (1st trip) Freeze Frame Data for a certain time. Refer to the table below.

**Hold the accelerator pedal as steady as possible.**

Similar conditions to (1st trip) Freeze Frame Data mean that the following conditions should be satisfied at the same time.

Engine speed	Engine speed in the freeze frame data $\pm$ 400 rpm
Vehicle speed	Vehicle speed in the freeze frame data $\pm$ 10 km/h (6 MPH)
Engine coolant temperature (T) condition	When the freeze frame data shows lower than 70°C (158°F), T should be lower than 70°C (158°F).
	When the freeze frame data shows higher than or equal to 70°C (158°F), T should be higher than or equal to 70°C (158°F).

Driving time varies according to the engine speed in the freeze frame data.

Engine speed	Time
Around 1,000 rpm	Approximately 10 minutes
Around 2,000 rpm	Approximately 5 minutes
More than 3,000 rpm	Approximately 3.5 minutes

## Diagnosis Procedure

INFOID:000000003936610

### 1. CHECK FOR INTAKE AIR LEAKAGE AND PCV HOSE

1. Start engine and run it at idle speed.
2. Listen for the sound of the intake air leakage.
3. Check PCV hose connection.

#### OK or NG

- OK >> GO TO 2.  
NG >> Discover air leakage location and repair.

### 2. CHECK FOR EXHAUST SYSTEM CLOGGING

Stop engine and visually check exhaust tube, three way catalyst and muffler for dents.

#### OK or NG

- OK >> GO TO 3.  
NG >> Repair or replace malfunctioning part.

### 3. PERFORM POWER BALANCE TEST

#### With CONSULT-III

1. Perform "POWER BALANCE" in "ACTIVE TEST" mode.

# P0300, P0301, P0302, P0303, P0304, P0305, P0306, P0307, P0308 MISFIRE

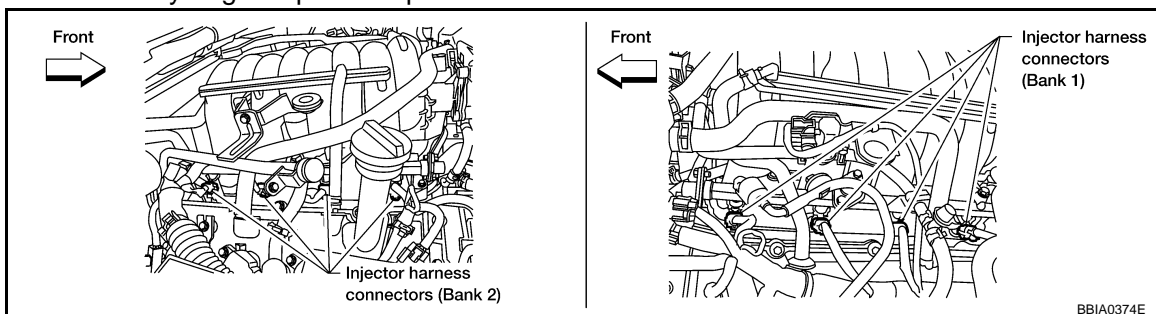
< COMPONENT DIAGNOSIS >

[VK56DE]

2. Is there any cylinder which does not produce a momentary engine speed drop?

⊗ **Without CONSULT-III**

When disconnecting each fuel injector harness connector one at a time, is there any cylinder which does not produce a momentary engine speed drop?



Yes or No

Yes >> GO TO 4.

No >> GO TO 7.

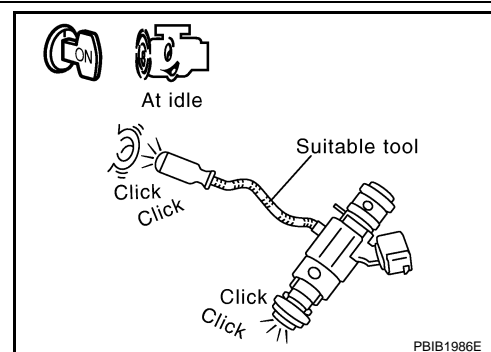
## 4. CHECK FUEL INJECTOR

Does each fuel injector make an operating sound at idle?

Yes or No

Yes >> GO TO 5.

No >> Check fuel injector(s) and circuit(s). Refer to [EC-866](#).  
"Diagnosis Procedure".



## 5. CHECK FUNCTION OF IGNITION COIL-I

**CAUTION:**

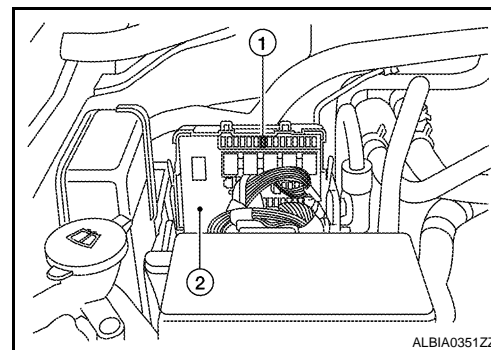
Perform the following procedure in a place with no combustible objects and good ventilation.

1. Turn ignition switch OFF.
2. Remove fuel pump fuse (1) in IPDM E/R (2) to release fuel pressure.

**NOTE:**

Do not use CONSULT-III to release fuel pressure, or fuel pressure applies again during the following procedure.

3. Start engine.
4. After engine stalls, crank it 2 or 3 times to release all fuel pressure.
5. Turn ignition switch OFF.
6. Remove all ignition coil harness connectors to avoid the electrical discharge from the ignition coils.
7. Remove ignition coil and spark plug of the cylinder to be checked.
8. Crank engine for 5 seconds or more to remove combustion gas in the cylinder.
9. Connect spark plug and harness connector to ignition coil.



## P0300, P0301, P0302, P0303, P0304, P0305, P0306, P0307, P0308 MISFIRE

< COMPONENT DIAGNOSIS >

[VK56DE]

10. Fix ignition coil using a rope etc. with gap of 13 - 17 mm between the edge of the spark plug and grounded metal portion as shown in the figure.
11. Crank engine for approximately 3 seconds, and check whether spark is generated between the spark plug and the grounded metal portion.

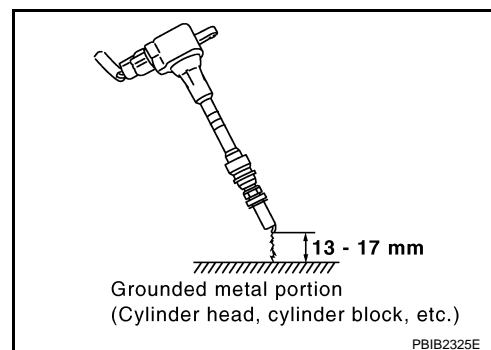
**Spark should be generated.**

### CAUTION:

- Never place the spark plug and the ignition coil within 50 cm each other. Be careful not to get an electrical shock while checking, because the electrical discharge voltage becomes 20 kV or more.
- It might damage the ignition coil if the gap of more than 17 mm is made.

### NOTE:

When the gap is less than 13 mm, spark might be generated even if the coil is malfunctioning.



OK or NG

OK >> GO TO 9.

NG >> GO TO 6.

## 6.CHECK FUNCTION OF IGNITION COIL-II

1. Turn ignition switch OFF.
2. Disconnect spark plug and connect a non-malfunctioning spark plug.
3. Crank engine for approximately 3 seconds, and recheck whether spark is generated between the spark plug and the grounded metal portion.

**Spark should be generated.**

OK or NG

OK >> GO TO 7.

NG >> Check ignition coil, power transistor and their circuits. Refer to [EC-872. "Diagnosis Procedure"](#).

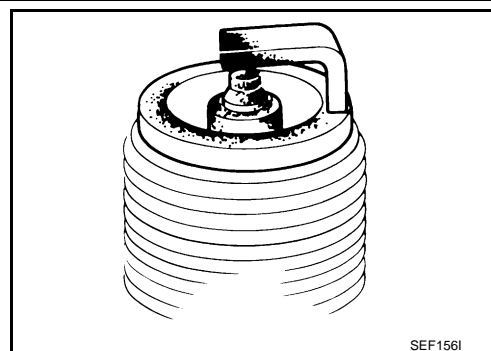
## 7.CHECK SPARK PLUG

Check the initial spark plug for fouling, etc.

OK or NG

OK >> Replace malfunctioning spark plug(s) with standard type one(s). For spark plug type, refer to [EM-250. "Standard and Limit"](#).

NG >> 1. Repair or clean spark plug.  
2. GO TO 8.



## 8.CHECK FUNCTION OF IGNITION COIL-III

1. Reconnect the initial spark plugs.
2. Crank engine for approximately 3 seconds, and recheck whether spark is generated between the spark plug and the grounded portion.

**Spark should be generated.**

OK or NG

OK >> **INSPECTION END**

NG >> Replace malfunctioning spark plug(s) with standard type one(s). For spark plug type, refer to [EM-250. "Standard and Limit"](#).

## 9.CHECK COMPRESSION PRESSURE

Check compression pressure. Refer to [EM-165. "Compression Pressure"](#).

OK or NG

- OK >> GO TO 10.
- NG >> Check pistons, piston rings, valves, valve seats and cylinder head gaskets.

**10.CHECK FUEL PRESSURE**

1. Install all removed parts.
2. Release fuel pressure to zero. Refer to [EC-951. "Fuel Pressure Check"](#).
3. Install fuel pressure gauge and check fuel pressure. Refer to [EC-951. "Fuel Pressure Check"](#).

**At idling: Approximately 350 kPa (3.57 kg/cm<sup>2</sup>, 51 psi)**

OK or NG

- OK >> GO TO 12.
- NG >> GO TO 11.

**11.DETECT MALFUNCTIONING PART**

Check the following.

- Fuel pump and circuit (Refer to [EC-869. "Diagnosis Procedure"](#).)
- Fuel pressure regulator (Refer to [EC-951. "Fuel Pressure Check"](#).)
- Fuel lines
- Fuel filter for clogging

>> Repair or replace malfunctioning part.

**12.CHECK IGNITION TIMING**

Check the following items. Refer to [EC-495. "Basic Inspection"](#).

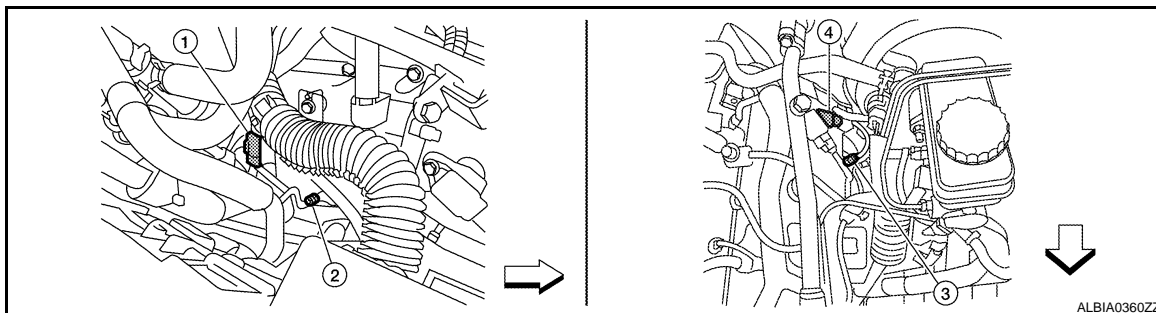
Items	Specifications
Target idle speed	650 ± 50 rpm (in P or N position)
Ignition timing	15 ± 5°BTDC (in P or N position)

OK or NG

- OK >> GO TO 13.
- NG >> Follow the [EC-495. "Basic Inspection"](#).

**13.CHECK AIR FUEL RATIO SENSOR 1 INPUT SIGNAL FOR OPEN AND SHORT**

1. Turn ignition switch OFF.
2. Disconnect air fuel ratio (A/F) sensor 1 harness connector.



- 1. A/F sensor 1 (bank 2) harness connector
- 2. A/F sensor 1 (bank 2)
- 3. A/F sensor 1 (bank 1)
- 4. A/F sensor 1 (bank 1) harness connector

↶ : Vehicle front

3. Disconnect ECM harness connector.
4. Check harness continuity between A/F sensor 1 terminals and ECM terminals as per the following. Refer to Wiring Diagram.

# P0300, P0301, P0302, P0303, P0304, P0305, P0306, P0307, P0308 MISFIRE

< COMPONENT DIAGNOSIS >

[VK56DE]

	A/F sensor 1 terminal	ECM terminal
Bank 1	1	35
	2	56
Bank 2	1	16
	2	75

**Continuity should exist.**

5. Check harness continuity between the following terminals and ground.  
Refer to Wiring Diagram.

Bank 1		Bank 2	
A/F sensor 1 terminal	ECM terminal	A/F sensor 1 terminal	ECM terminal
1	35	1	16
2	56	2	75

**Continuity should not exist.**

6. Also check harness for short to power.

OK or NG

OK >> GO TO 14.

NG >> Repair open circuit or short to ground or short to power in harness or connectors.

## 14. CHECK A/F SENSOR 1 HEATER

Refer to [EC-580, "Component Inspection"](#).

OK or NG

OK >> GO TO 16.

NG >> GO TO 15.

## 15. REPLACE A/F SENSOR 1

Replace malfunctioning A/F sensor 1.

**CAUTION:**

- Discard any A/F sensor which has been dropped from a height of more than 0.5 m (19.7 in) onto a hard surface such as a concrete floor; use a new one.
- Before installing new A/F sensor, clean exhaust system threads using Oxygen Sensor Thread Cleaner [Commercial service tool (J-43897-18 or J-43897-12)] and approved Anti-seize Lubricant (Commercial service tool).

>> **INSPECTION END**

## 16. CHECK MASS AIR FLOW SENSOR

Ⓟ **With CONSULT-III**

Check mass air flow sensor signal in "DATA MONITOR" mode with CONSULT-III.

**3.0 - 9.0 g-m/sec: At idling**

**9.0 - 28.0 g-m/sec: At 2,500 rpm**

Ⓟ **With GST**

Check mass air flow sensor signal in Service \$01 with GST.

**3.0 - 9.0 g-m/sec: At idling**

**9.0 - 28.0 g-m/sec: At 2,500 rpm**

OK or NG

OK >> GO TO 17.

# P0300, P0301, P0302, P0303, P0304, P0305, P0306, P0307, P0308 MISFIRE

< COMPONENT DIAGNOSIS >

[VK56DE]

NG >> Check connectors for rusted terminals or loose connections in the mass air flow sensor circuit or ground. Refer to [EC-595, "Diagnosis Procedure"](#).

A

## 17.CHECK SYMPTOM MATRIX CHART

Check items on the rough idle symptom in [EC-940, "Symptom Matrix Chart"](#).

OK or NG

OK >> GO TO 18.

NG >> Repair or replace malfunctioning part.

EC

C

## 18.ERASE THE 1ST TRIP DTC

Some tests may cause a 1st trip DTC to be set.

Erase the 1st trip DTC from the ECM memory after performing the tests. Refer to [EC-525, "Emission-related Diagnostic Information"](#).

D

>> GO TO 19.

E

## 19.CHECK INTERMITTENT INCIDENT

Refer to [GI-49, "Intermittent Incident"](#).

F

>> INSPECTION END

G

H

I

J

K

L

M

N

O

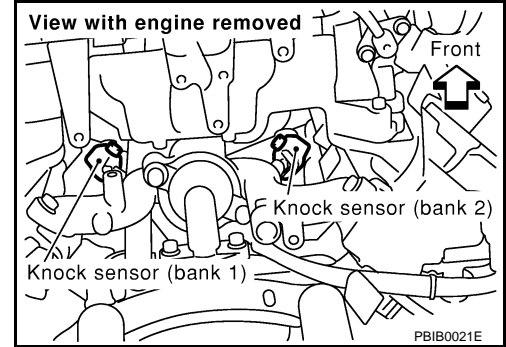
P

P0327, P0328, P0332, P0333 KS

Component Description

INFOID:000000003936611

The knock sensor is attached to the cylinder block. It senses engine knocking using a piezoelectric element. A knocking vibration from the cylinder block is sensed as vibrational pressure. This pressure is converted into a voltage signal and sent to the ECM.



On Board Diagnosis Logic

INFOID:000000003936612

The MIL will not illuminate for these self-diagnoses.

DTC No.	Trouble diagnosis name	DTC detecting condition	Possible cause
P0327 0327 (Bank 1)	Knock sensor circuit low input	An excessively low voltage from the sensor is sent to ECM.	<ul style="list-style-type: none"> <li>• Harness or connectors (The sensor circuit is open or shorted.)</li> <li>• Knock sensor</li> </ul>
P0332 0332 (Bank 2)			
P0328 0328 (Bank 1)	Knock sensor circuit high input	An excessively high voltage from the sensor is sent to ECM.	
P0333 0333 (Bank 2)			

DTC Confirmation Procedure

INFOID:000000003936613

**NOTE:**

If DTC Confirmation Procedure has been previously conducted, always perform the following procedure before conducting the next step.

1. Turn ignition switch OFF and wait at least 10 seconds.
2. Turn ignition switch ON.
3. Turn ignition switch OFF and wait at least 10 seconds.

**TESTING CONDITION:**

Before performing the following procedure, confirm that battery voltage is more than 10 V at idle.

1. Start engine and run it for at least 5 seconds at idle speed.
2. Check 1st trip DTC.
3. If 1st trip DTC is detected, go to [EC-684. "Diagnosis Procedure"](#).

Diagnosis Procedure

INFOID:000000003936614

**1. CHECK KNOCK SENSOR INPUT SIGNAL CIRCUIT FOR OPEN AND SHORT-I**

1. Turn ignition switch OFF.
2. Disconnect ECM harness connector.
3. Check resistance between ECM terminals 15, 36 and ground. Refer to Wiring Diagram.

**NOTE:**

It is necessary to use an ohmmeter which can measure more than 10 MΩ.

**Resistance: Approximately 532 - 588 kΩ [at 20°C (68°F)]**



< COMPONENT DIAGNOSIS >

4. Also check harness for short to ground and short to power.

OK or NG

- OK >> GO TO 5.
- NG >> GO TO 2.

**2.CHECK KNOCK SENSOR INPUT SIGNAL CIRCUIT FOR OPEN AND SHORT-II**

1. Disconnect knock sensor harness connector.
2. Check harness continuity between ECM terminal 15 and knock sensor (bank1) terminal 1, ECM terminal 36 and knock sensor (bank 2) terminal 1.  
Refer to Wiring Diagram.

**Continuity should exist.**

3. Also check harness for short to ground and short to power.

OK or NG

- OK >> GO TO 4.
- NG >> GO TO 3.

**3.DETECT MALFUNCTIONING PART**

Check the following.

- Harness connectors F38, F275
- Harness for open or short between ECM and knock sensor

>> Repair open circuit or short to ground or short to power in harness or connectors.

**4.CHECK KNOCK SENSOR**

Refer to [EC-686. "Component Inspection"](#).

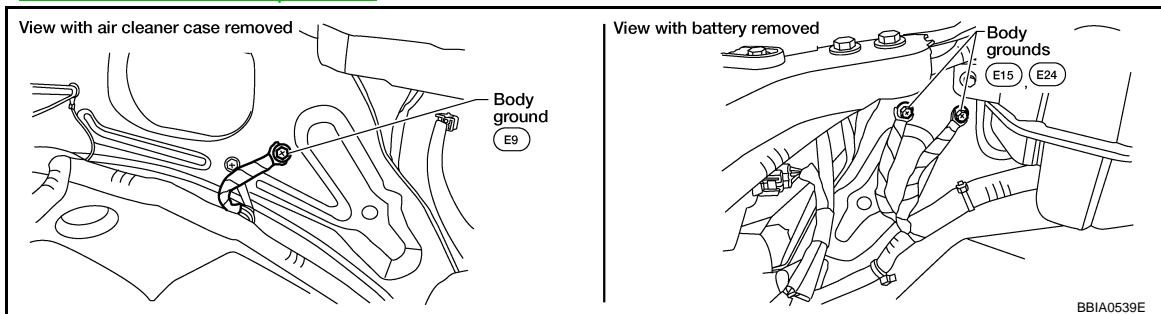
OK or NG

- OK >> GO TO 5.
- NG >> Replace malfunctioning knock sensor.

**5.CHECK GROUND CONNECTIONS**

Loosen and retighten ground screws on the body.

Refer to [EC-568. "Ground Inspection"](#).



OK or NG

- OK >> GO TO 6.
- NG >> Repair or replace ground connections.

**6.CHECK KNOCK SENSOR SHIELD CIRCUIT FOR OPEN AND SHORT**

1. Disconnect knock sensor harness connector.
2. Check harness continuity between knock sensor terminal 2 and ground. Refer to Wiring Diagram.

**Continuity should exist.**

3. Also check harness for short to power.

OK or NG

- OK >> GO TO 8.
- NG >> GO TO 7.

A  
EC  
C  
D  
E  
F  
G  
H  
I  
J  
K  
L  
M  
N  
O  
P

< COMPONENT DIAGNOSIS >

7. DETECT MALFUNCTIONING PART

Check the following.

- Harness connectors F38, F275
- Harness connectors F14, E5
- Harness for open or short between knock sensor terminal 2 and ground

>> Repair open circuit or short power in harness or connectors.

8. CHECK INTERMITTENT INCIDENT

Refer to [GI-49. "Intermittent Incident"](#).

>> INSPECTION END

Component Inspection

INFOID:000000003936615

KNOCK SENSOR

Check resistance between knock sensor terminal 1 and ground.

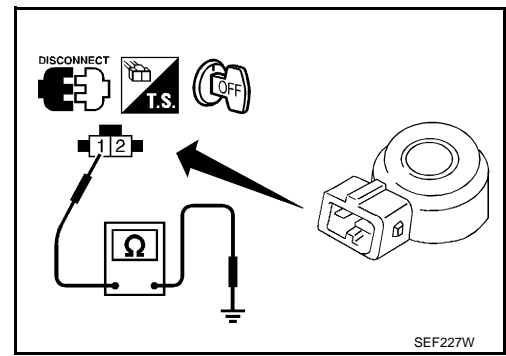
**NOTE:**

It is necessary to use an ohmmeter which can measure more than 10 MΩ.

**Resistance: Approximately 532 - 588 kΩ [at 20°C (68°F)]**

**CAUTION:**

Never use any knock sensors that have been dropped or physically damaged. Use only new ones.



# P0335 CKP SENSOR (POS)

< COMPONENT DIAGNOSIS >

[VK56DE]

## P0335 CKP SENSOR (POS)

### Component Description

INFOID:000000003936616

The crankshaft position sensor (POS) is located on the A/T assembly facing the gear teeth (cogs) of the signal plate. It detects the fluctuation of the engine revolution.

The sensor consists of a permanent magnet and Hall IC.

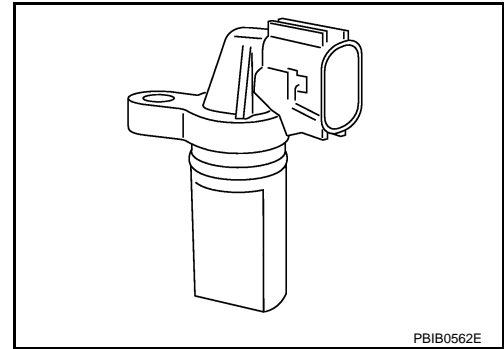
When the engine is running, the high and low parts of the teeth cause the gap with the sensor to change.

The changing gap causes the magnetic field near the sensor to change.

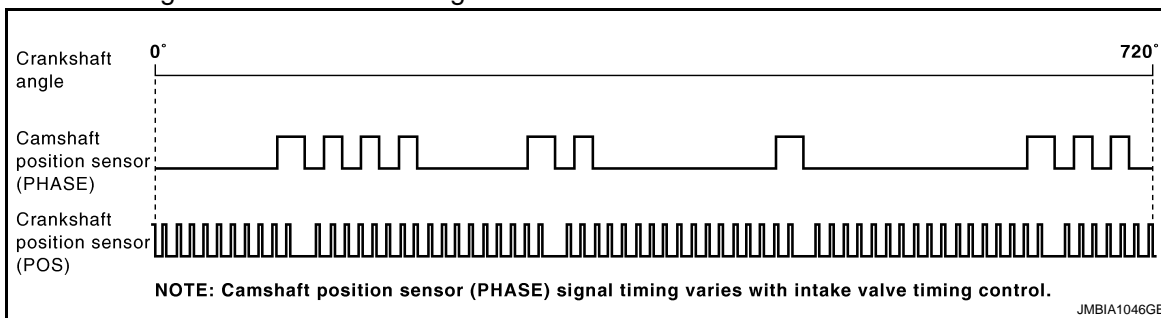
Due to the changing magnetic field, the voltage from the sensor changes.

The ECM receives the voltage signal and detects the fluctuation of the engine revolution.

ECM receives the signals as shown in the figure.



PBIB0562E



### On Board Diagnosis Logic

INFOID:000000003936617

DTC No.	Trouble diagnosis name	DTC detecting condition	Possible cause
P0335 0335	Crankshaft position sensor (POS) circuit	<ul style="list-style-type: none"> <li>The crankshaft position sensor (POS) signal is not detected by the ECM during the first few seconds of engine cranking.</li> <li>The proper pulse signal from the crankshaft position sensor (POS) is not sent to ECM while the engine is running.</li> <li>The crankshaft position sensor (POS) signal is not in the normal pattern during engine running.</li> </ul>	<ul style="list-style-type: none"> <li>Harness or connectors (The sensor circuit is open or shorted)</li> <li>Crankshaft position sensor (POS)</li> <li>Signal plate</li> </ul>

### DTC Confirmation Procedure

INFOID:000000003936618

#### NOTE:

If DTC Confirmation Procedure has been previously conducted, always perform the following procedure before conducting the next step.

1. Turn ignition switch OFF and wait at least 10 seconds.
2. Turn ignition switch ON.
3. Turn ignition switch OFF and wait at least 10 seconds.

#### TESTING CONDITION:

Before performing the following procedure, confirm that battery voltage is more than 10.5 V with ignition switch ON.

1. Crank engine for at least 2 seconds and run it for at least 5 seconds at idle speed.
2. Check 1st DTC.
3. If 1st trip DTC is detected, go to [EC-687, "Diagnosis Procedure"](#).

### Diagnosis Procedure

INFOID:000000003936619

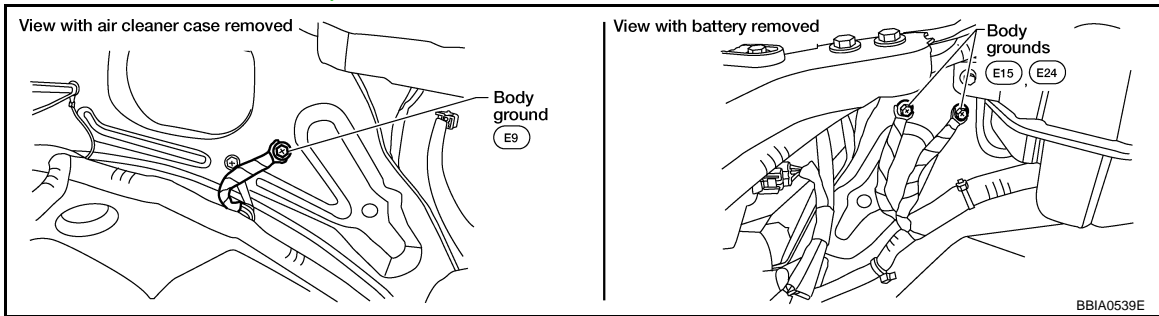
#### 1. CHECK GROUND CONNECTIONS

# P0335 CKP SENSOR (POS)

[VK56DE]

## < COMPONENT DIAGNOSIS >

1. Turn ignition switch OFF.
2. Loosen and retighten ground screws on the body.  
Refer to [EC-568. "Ground Inspection"](#).

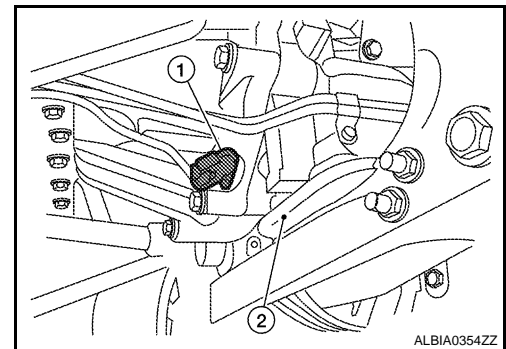


### OK or NG

- OK >> GO TO 2.  
NG >> Repair or replace ground connections.

## 2. CHECK CRANKSHAFT POSITION SENSOR (POS) POWER SUPPLY CIRCUIT

1. Disconnect crankshaft position (CKP) sensor (POS) (1) harness connector.  
- Engine oil pan (2)
2. Turn ignition switch ON.

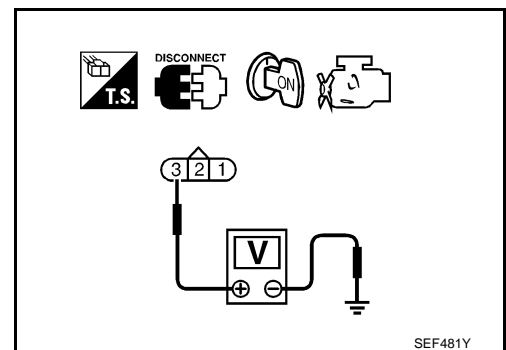


3. Check voltage between CKP sensor (POS) terminal 3 and ground with CONSULT-III or tester.

**Voltage: Battery voltage**

### OK or NG

- OK >> GO TO 4.  
NG >> GO TO 3.



## 3. DETECT MALFUNCTIONING PART

Check the following.

- Harness connectors F32, E2
- IPDM E/R harness connector E119
- Harness for open or short between crankshaft position sensor (POS) and ECM
- Harness for open or short between crankshaft position sensor (POS) and IPDM E/R

>> Repair open circuit or short to ground or short to power in harness or connectors.

## 4. CHECK CKP SENSOR (POS) GROUND CIRCUIT FOR OPEN AND SHORT

1. Turn ignition switch OFF.
2. Check harness continuity between CKP sensor (POS) terminal 1 and ground.  
Refer to Wiring Diagram.

**Continuity should exist.**

3. Also check harness for short to power.

# P0335 CKP SENSOR (POS)

[VK56DE]

< COMPONENT DIAGNOSIS >

OK or NG

- OK >> GO TO 6.
- NG >> GO TO 5.

## 5. DETECT MALFUNCTIONING PART

Check the following.

- Harness connectors F32, E2
- Harness for open or short between crankshaft position sensor (POS) and ground

>> Repair open circuit or short to power in harness or connectors.

## 6. CHECK CKP SENSOR (POS) INPUT SIGNAL CIRCUIT FOR OPEN AND SHORT

1. Disconnect ECM harness connector.
2. Check harness continuity between ECM terminal 13 and CKP sensor (POS) terminal 2. Refer to Wiring Diagram.

**Continuity should exist.**

3. Also check harness for short to ground and short to power.

OK or NG

- OK >> GO TO 7.
- NG >> Repair open circuit or short to ground or short to power in harness or connectors.

## 7. CHECK CRANKSHAFT POSITION SENSOR (POS)

Refer to [EC-689. "Component Inspection"](#).

OK or NG

- OK >> GO TO 8.
- NG >> Replace crankshaft position sensor (POS).

## 8. CHECK GEAR TOOTH

Visually check for chipping signal plate gear tooth.

OK or NG

- OK >> GO TO 9.
- NG >> Replace the signal plate.

## 9. CHECK INTERMITTENT INCIDENT

Refer to [GI-49. "Intermittent Incident"](#).

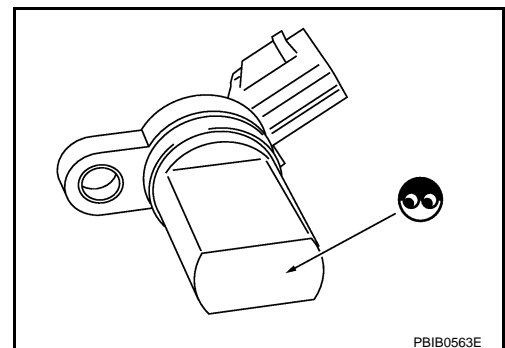
>> **INSPECTION END**

## Component Inspection

INFOID:000000003936620

### CRANKSHAFT POSITION SENSOR (POS)

1. Loosen the fixing bolt of the sensor.
2. Disconnect crankshaft position sensor (POS) harness connector.
3. Remove the sensor.
4. Visually check the sensor for chipping.



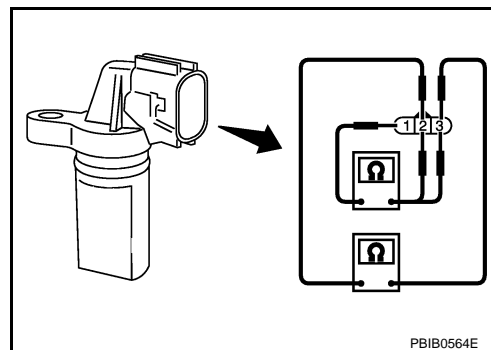
# P0335 CKP SENSOR (POS)

< COMPONENT DIAGNOSIS >

[VK56DE]

5. Check resistance as shown in the figure.

Terminal No. (Polarity)	Resistance [at 25°C (77°F)]
1 (+) - 2 (-)	Except 0 or $\infty$ $\Omega$
1 (+) - 3 (-)	
2 (+) - 3 (-)	



# P0340 CMP SENSOR (PHASE)

< COMPONENT DIAGNOSIS >

[VK56DE]

## P0340 CMP SENSOR (PHASE)

### Component Description

INFOID:000000003936621

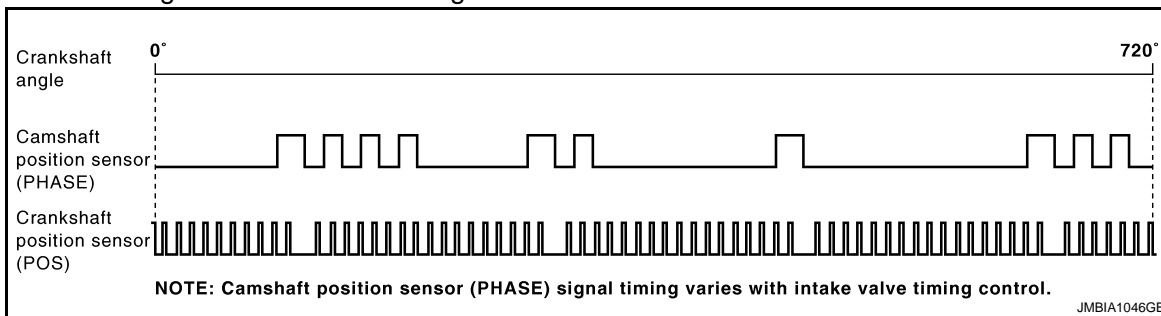
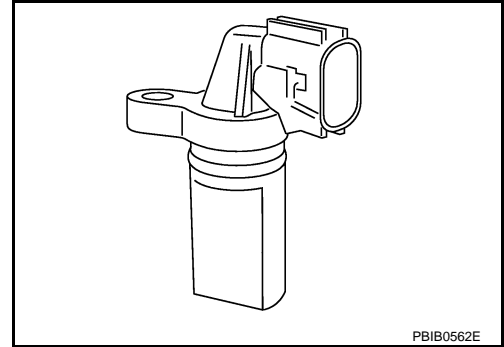
The camshaft position sensor (PHASE) senses the protrusion of exhaust valve cam sprocket to identify a particular cylinder. The camshaft position sensor (PHASE) senses the piston position. When the crankshaft position sensor (POS) system becomes inoperative, the camshaft position sensor (PHASE) provides various controls of engine parts instead, utilizing timing of cylinder identification signals.

The sensor consists of a permanent magnet and Hall IC.

When engine is running, the high and low parts of the teeth cause the gap with the sensor to change.

The changing gap causes the magnetic field near the sensor to change.

Due to the changing magnetic field, the voltage from the sensor changes. ECM receives the signals as shown in the figure.



### On Board Diagnosis Logic

INFOID:000000003936622

DTC No.	Trouble diagnosis name	DTC detecting condition	Possible cause
P0340 0340	Camshaft position sensor (PHASE) circuit	<ul style="list-style-type: none"> <li>The cylinder No. signal is not sent to ECM for the first few seconds during engine cranking.</li> <li>The cylinder No. signal is not sent to ECM during engine running.</li> <li>The cylinder No. signal is not in the normal pattern during engine running.</li> </ul>	<ul style="list-style-type: none"> <li>Harness or connectors (The sensor circuit is open or shorted)</li> <li>Camshaft position sensor (PHASE)</li> <li>Camshaft (Exhaust)</li> <li>Starter motor</li> <li>Starting system circuit</li> <li>Dead (Weak) battery</li> </ul>

### DTC Confirmation Procedure

INFOID:000000003936623

#### NOTE:

If DTC Confirmation Procedure has been previously conducted, always perform the following procedure before conducting the next step.

1. Turn ignition switch OFF and wait at least 10 seconds.
2. Turn ignition switch ON.
3. Turn ignition switch OFF and wait at least 10 seconds.

#### TESTING CONDITION:

Before performing the following procedure, confirm that battery voltage is more than 10.5 V with ignition switch ON.

1. Turn ignition switch ON.
2. Crank engine for at least 2 seconds and run it for at least 5 seconds at idle speed.
3. Check 1st trip DTC.
4. If 1st trip DTC is detected, go to [EC-692, "Diagnosis Procedure"](#).  
If 1st trip DTC is not detected, go to next step.
5. Maintaining engine speed at more than 800 rpm for at least 5 seconds.
6. Check 1st trip DTC.

# P0340 CMP SENSOR (PHASE)

[VK56DE]

< COMPONENT DIAGNOSIS >

7. If 1st trip DTC is detected, go to [EC-692. "Diagnosis Procedure"](#).

## Diagnosis Procedure

INFOID:000000003936624

### 1. CHECK STARTING SYSTEM

Turn ignition switch to the START position.

**Does the engine turn over?**

**Does the starter motor operate?**

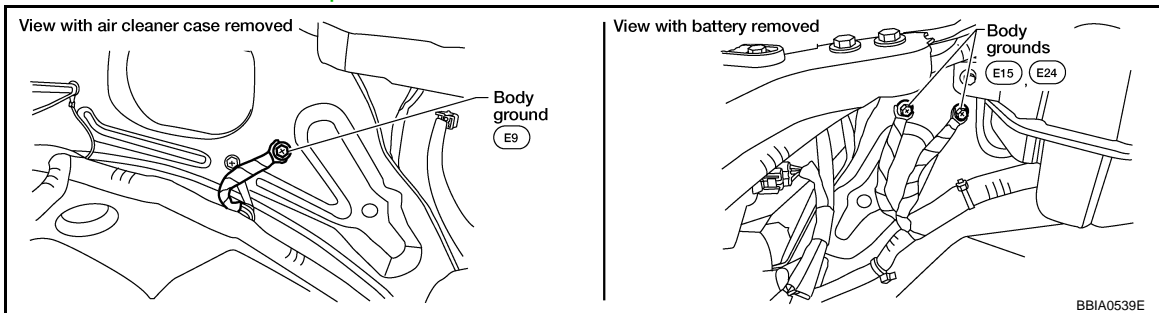
Yes or No

Yes >> GO TO 2.

No >> Check starting system. (Refer to [STR-5. "Work Flow"](#).)

### 2. CHECK GROUND CONNECTIONS

1. Turn ignition switch OFF.
2. Loosen and retighten ground screws on the body.  
Refer to [EC-568. "Ground Inspection"](#).



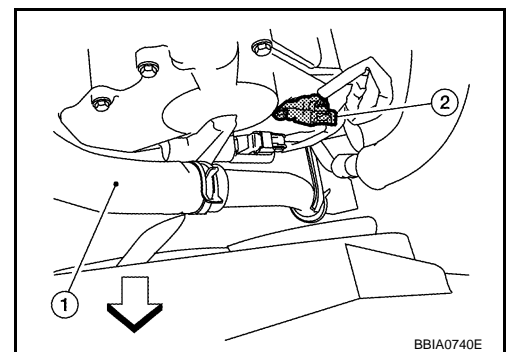
OK or NG

OK >> GO TO 3.

NG >> Repair or replace ground connections.

### 3. CHECK CAMSHAFT POSITION SENSOR (PHASE) POWER SUPPLY CIRCUIT

1. Disconnect camshaft position (CMP) sensor (PHASE) (2) harness connector.
  - Radiator hose (1)
  - ↵: Vehicle front
2. Turn ignition switch ON.



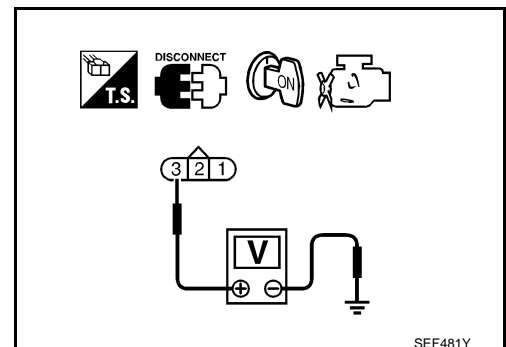
3. Check voltage between CMP sensor (PHASE) terminal 3 and ground with CONSULT-III or tester.

**Voltage: Battery voltage**

OK or NG

OK >> GO TO 5.

NG >> GO TO 4.



### 4. DETECT MALFUNCTIONING PART

Check the following.



# P0340 CMP SENSOR (PHASE)

[VK56DE]

## < COMPONENT DIAGNOSIS >

- Harness connectors F32, E2
- IPDM E/R harness connector E119
- Harness for open or short between camshaft position sensor (PHASE) and ECM
- Harness for open or short between camshaft position sensor (PHASE) and IPDM E/R

>> Repair open circuit or short to ground or short to power in harness or connectors.

### 5. CHECK CMP SENSOR (PHASE) GROUND CIRCUIT FOR OPEN AND SHORT

1. Turn ignition switch OFF.
2. Check harness continuity between CMP sensor (PHASE) terminal 1 and ground.  
Refer to Wiring Diagram.

**Continuity should exist.**

3. Also check harness for short to power.

#### OK or NG

- OK >> GO TO 7.
- NG >> GO TO 6.

### 6. DETECT MALFUNCTIONING PART

Check the following.

- Harness connectors F32, E2
- Harness for open or short between CMP sensor (PHASE) and ground

>> Repair open circuit or short to power in harness or connectors.

### 7. CHECK CMP SENSOR (PHASE) INPUT SIGNAL CIRCUIT FOR OPEN AND SHORT

1. Disconnect ECM harness connector.
2. Check harness continuity between ECM terminal 14 and CMP sensor (PHASE) terminal 2.  
Refer to Wiring Diagram.

**Continuity should exist.**

3. Also check harness for short to ground and short to power.

#### OK or NG

- OK >> GO TO 8.
- NG >> Repair open circuit or short to ground or short to power in harness or connectors.

### 8. CHECK CAMSHAFT POSITION SENSOR (PHASE)

Refer to [EC-693, "Component Inspection"](#).

#### OK or NG

- OK >> GO TO 9.
- NG >> Replace camshaft position sensor (PHASE).

### 9. CHECK INTERMITTENT INCIDENT

Refer to [GI-49, "Intermittent Incident"](#).

>> **INSPECTION END**

## Component Inspection

INFOID:000000003936625

### CAMSHAFT POSITION SENSOR (PHASE)

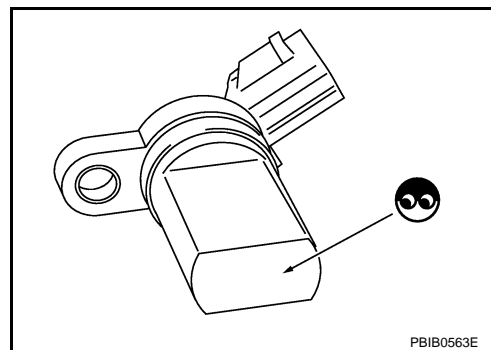
1. Loosen the fixing bolt of the sensor.
2. Disconnect camshaft position sensor (PHASE) harness connector.
3. Remove the sensor.

# P0340 CMP SENSOR (PHASE)

< COMPONENT DIAGNOSIS >

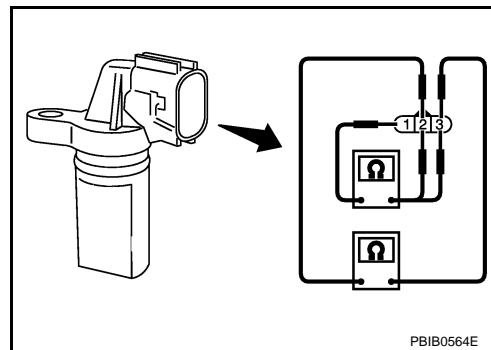
[VK56DE]

4. Visually check the sensor for chipping.



5. Check resistance as shown in the figure.

Terminal No. (Polarity)	Resistance [at 25°C (77°F)]
3(+) - 1 (-)	Except 0 or $\infty$ $\Omega$
2 (+) - 1 (-)	
3 (+) - 2 (-)	



# P0420, P0430 THREE WAY CATALYST FUNCTION

< COMPONENT DIAGNOSIS >

[VK56DE]

## P0420, P0430 THREE WAY CATALYST FUNCTION

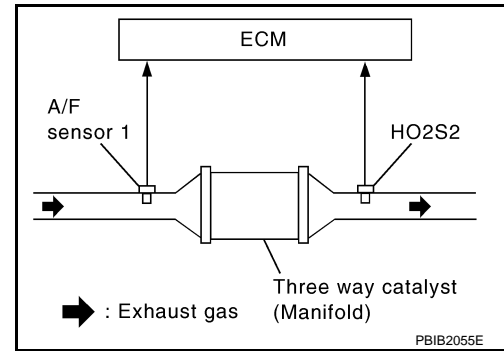
### On Board Diagnosis Logic

INFOID:000000003936626

The ECM monitors the switching frequency ratio of air fuel sensor (A/F) sensor 1 and heated oxygen sensor 2.

A three way catalyst (manifold) with high oxygen storage capacity will indicate a low switching frequency of heated oxygen sensor 2. As oxygen storage capacity decreases, the heated oxygen sensor 2 switching frequency will increase.

When the frequency ratio of air fuel ratio (A/F) sensor 1 and heated oxygen sensor 2 approaches a specified limit value, the three way catalyst (manifold) malfunction is diagnosed.



DTC No.	Trouble diagnosis name	DTC detecting condition	Possible cause
P0420 0420 (Bank 1)	Catalyst system efficiency below threshold	<ul style="list-style-type: none"> <li>• Three way catalyst (manifold) does not operate properly.</li> <li>• Three way catalyst (manifold) does not have enough oxygen storage capacity.</li> </ul>	<ul style="list-style-type: none"> <li>• Three way catalyst (manifold)</li> <li>• Exhaust tube</li> <li>• Intake air leakage</li> <li>• Fuel injector</li> <li>• Fuel injector leakage</li> <li>• Spark plug</li> <li>• Improper ignition timing</li> </ul>
P0430 0430 (Bank 2)			

### DTC Confirmation Procedure

INFOID:000000003936627

#### NOTE:

If DTC Confirmation Procedure has been previously conducted, always perform the following procedure before conducting the next step.

1. Turn ignition switch OFF and wait at least 10 seconds.
2. Turn ignition switch ON.
3. Turn ignition switch OFF and wait at least 10 seconds.

#### Ⓜ WITH CONSULT-III

#### TESTING CONDITION:

**Do not hold engine speed for more than the specified minutes below.**

1. Turn ignition switch ON and select "DATA MONITOR" mode with CONSULT-III.
2. Start engine and warm it up to the normal operating temperature.
3. Turn ignition switch OFF and wait at least 10 seconds.
4. Turn ignition switch ON.
5. Turn ignition switch OFF and wait at least 10 seconds.
6. Start engine and keep the engine speed between 3,500 and 4,000 rpm for at least 1 minute under no load.
7. Let engine idle for 1 minute.
8. Check that "COOLAN TEMP/S" indicates more than 70°C (158°F).  
If not, warm up engine and go to next step when "COOLAN TEMP/S" indication reaches 70°C (158°F).
9. Open engine hood.
10. Select "DTC & SRT CONFIRMATION" then "SRT WORK SUPPORT" mode with CONSULT-III.
11. Rev engine between 2,000 and 3,000 rpm and hold it for 3 consecutive minutes, then release the accelerator pedal completely.  
If "INCMP" of "CATALYST" changed to "CMPLT", go to step 14.
12. Wait 5 seconds at idle.
13. Rev engine between 2,000 and 3,000 rpm and maintain it until "INCMP" of "CATALYST" changes to "CMPLT" (It will take approximately 5 minutes).  
If not "CMPLT", stop engine and cool it down to less than 70°C (158°F), and then retest from step 1.
14. Select "SELF-DIAG RESULTS" mode with CONSULT-III.

# P0420, P0430 THREE WAY CATALYST FUNCTION

[VK56DE]

## < COMPONENT DIAGNOSIS >

15. Check 1st trip DTC.

If the 1st trip DTC is detected, go to [EC-696, "Diagnosis Procedure"](#).

## Overall Function Check

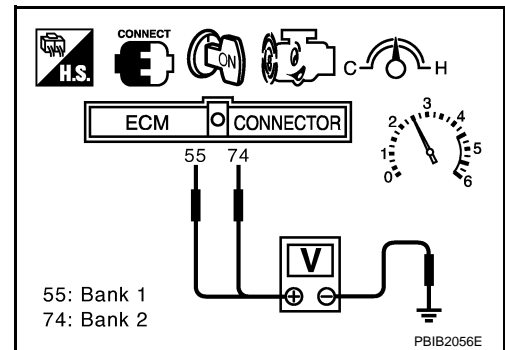
INFOID:000000003936628

Use this procedure to check the overall function of the three way catalyst (manifold). During this check, a 1st trip DTC might not be confirmed.

### Ⓢ WITH GST

1. Start engine and warm it up to the normal operating temperature.
2. Turn ignition switch OFF and wait at least 10 seconds.
3. Start engine and keep the engine speed between 3,500 and 4,000 rpm for at least 1 minute under no load.
4. Let engine idle for 1 minute.
5. Open engine hood.
6. Set voltmeter probes between ECM terminal 55 [HO2S2 (bank 1) signal] and ground, ECM terminal 74 [HO2S2 (bank 2) signal] and ground.
7. Keep engine speed at 2,500 rpm constant under no load.
8. Check that the voltage does not vary for more than 5 seconds.  
If the voltage fluctuation cycle takes less than 5 seconds, go to [EC-696, "Diagnosis Procedure"](#).

- 1 cycle: 0.6 - 1.0 → 0 - 0.3 → 0.6 - 1.0



## Diagnosis Procedure

INFOID:000000003936629

### 1. CHECK EXHAUST SYSTEM

Visually check exhaust tubes and muffler for dents.

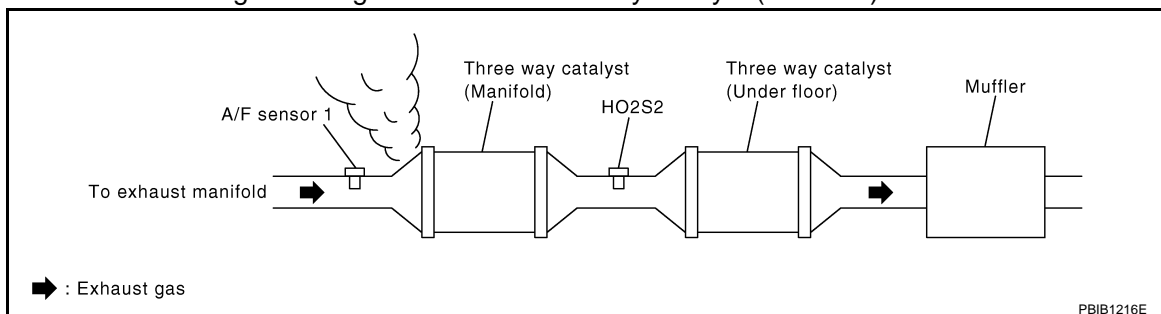
#### OK or NG

OK >> GO TO 2.

NG >> Repair or replace malfunctioning part.

### 2. CHECK EXHAUST GAS LEAKAGE

1. Start engine and run it at idle.
2. Listen for an exhaust gas leakage before the three way catalyst (manifold).



#### OK or NG

OK >> GO TO 3.

NG >> Repair or replace malfunctioning part.

### 3. CHECK INTAKE AIR LEAKAGE

Listen for an intake air leakage after the mass air flow sensor.

#### OK or NG

OK >> GO TO 4.

NG >> Repair or replace malfunctioning part.

### 4. CHECK IGNITION TIMING

# P0420, P0430 THREE WAY CATALYST FUNCTION

[VK56DE]

## < COMPONENT DIAGNOSIS >

Check the following items. Refer to [EC-495. "Basic Inspection"](#).

Items	Specifications
Idle speed	650 ± 50 rpm (in P or N position)
Ignition timing	15 ± 5°BTDC (in P or N position)

### OK or NG

- OK >> GO TO 5.
- NG >> Follow the instructions on [EC-495. "Basic Inspection"](#).

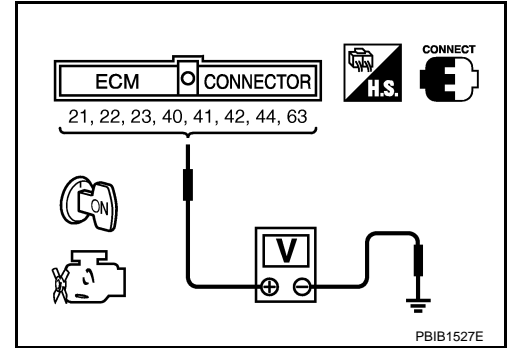
## 5. CHECK FUEL INJECTOR

1. Stop engine and then turn ignition switch ON.
2. Check voltage between ECM terminals 21, 22, 23, 40, 41, 42, 44, 63 and ground with CONSULT-III or tester.

**Battery voltage should exist.**

### OK or NG

- OK >> GO TO 6.
- NG >> Perform [EC-866. "Diagnosis Procedure"](#).



## 6. CHECK FUNCTION OF IGNITION COIL-I

### CAUTION:

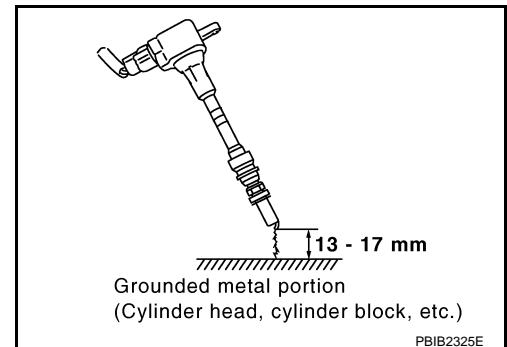
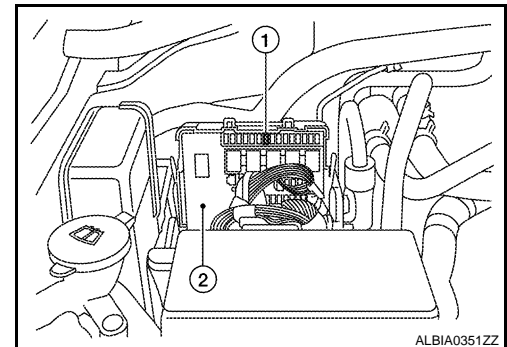
**Never following procedure in a place with no combustible objects and good ventilation.**

1. Turn ignition switch OFF.
2. Remove fuel pump fuse (1) in IPDM E/R (2) to release fuel pressure.

### NOTE:

Do not use CONSULT-III to release fuel pressure, or fuel pressure applies again during the following procedure.

3. Start engine.
4. After engine stalls, crank it 2 or 3 times to release all fuel pressure.
5. Turn ignition switch OFF.
6. Remove all ignition coil harness connectors to avoid the electrical discharge from the ignition coils.
7. Remove ignition coil and spark plug of the cylinder to be checked.
8. Crank engine for 5 seconds or more to remove combustion gas in the cylinder.
9. Connect spark plug and harness connector to ignition coil.
10. Fix ignition coil using a rope etc. with gap of 13 - 17 mm between the edge of the spark plug and grounded metal portion as shown in the figure.
11. Crank engine for approximately 3 seconds, and check whether spark is generated between the spark plug and the grounded metal portion.



**Spark should be generated.**

### CAUTION:

- Never place the spark plug and the ignition coil within 50 cm each other. Be careful not to get an electrical shock while checking, because the electrical discharge voltage becomes 20 kV or more.
- It might damage the ignition coil if the gap of more than 17 mm is made.

### NOTE:

When the gap is less than 13 mm, a spark might be generated even if the coil is malfunctioning.

# P0420, P0430 THREE WAY CATALYST FUNCTION

[VK56DE]

< COMPONENT DIAGNOSIS >

OK or NG

- OK >> GO TO 10.
- NG >> GO TO 7.

## 7.CHECK FUNCTION OF IGNITION COIL-II

1. Turn ignition switch OFF.
2. Disconnect spark plug and connect a non-malfunctioning spark plug.
3. Crank engine for approximately 3 seconds, and recheck whether spark is generated between the spark plug and the grounded metal portion.

**Spark should be generated.**

OK or NG

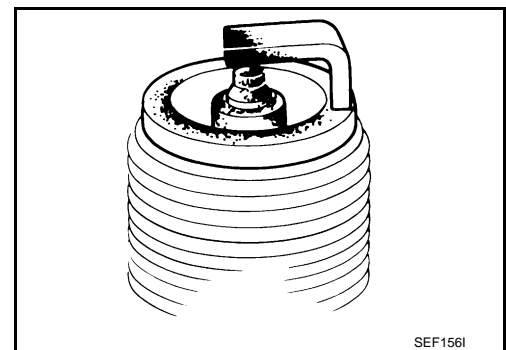
- OK >> GO TO 8.
- NG >> Check ignition coil, power transistor and their circuits. Refer to [EC-872. "Diagnosis Procedure"](#).

## 8.CHECK SPARK PLUG

Check the initial spark plug for fouling, etc.

OK or NG

- OK >> Replace malfunctioning spark plug(s) with standard type one(s). For spark plug type, refer to [EM-250. "Standard and Limit"](#).
- NG >> 1. Repair or clean spark plug.  
2. GO TO 9.



## 9.CHECK FUNCTION OF IGNITION COIL-III

1. Reconnect the initial spark plugs.
2. Crank engine for approximately 3 seconds, and recheck whether spark is generated between the spark plug and the grounded portion.

**Spark should be generated.**

OK or NG

- OK >> **INSPECTION END**
- NG >> Replace malfunctioning spark plug(s) with standard type one(s). For spark plug type, refer to [EM-250. "Standard and Limit"](#).

## 10.CHECK FUEL INJECTOR

1. Turn ignition switch OFF.
2. Remove fuel injector assembly. Refer to [EM-182. "Removal and Installation"](#).  
Keep fuel hose and all fuel injectors connected to fuel injector gallery.
3. Disconnect all ignition coil harness connectors.
4. Reconnect all fuel injector harness connector disconnected.
5. Turn ignition switch ON.  
Make sure fuel does not drip from fuel injector.

OK or NG

- OK (Does not drip.)>>GO TO 11.
- NG (Drips.)>>Replace the fuel injector(s) from which fuel is dripping.

## 11.CHECK INTERMITTENT INCIDENT

Refer to [GI-49. "Intermittent Incident"](#).

Trouble is fixed.>>**INSPECTION END**

Trouble is not fixed.>>Replace malfunctioning three way catalyst assembly.

# P0441 EVAP CONTROL SYSTEM

< COMPONENT DIAGNOSIS >

[VK56DE]

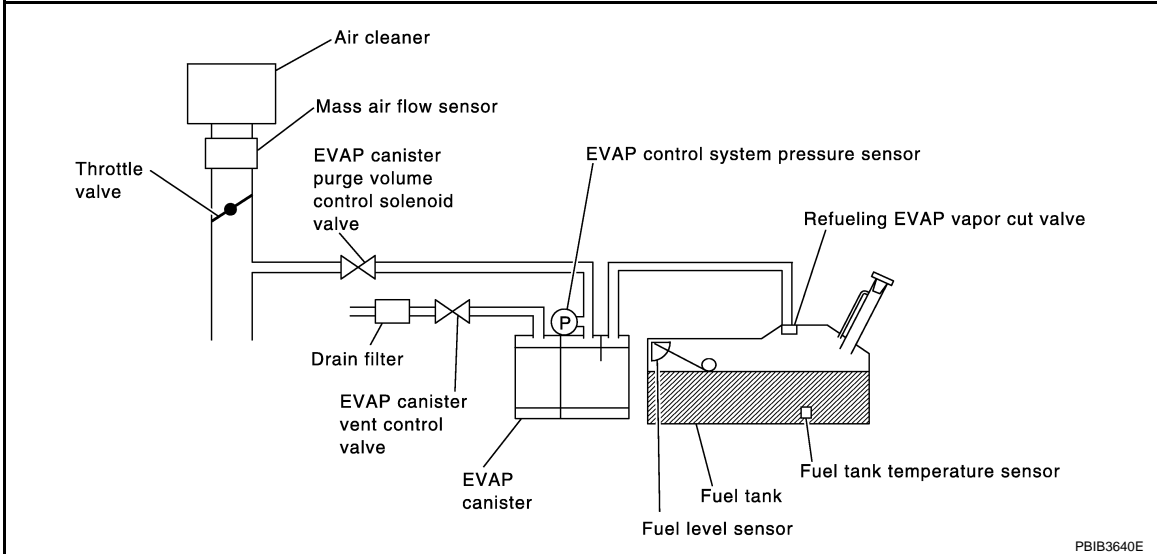
## P0441 EVAP CONTROL SYSTEM

### System Description

INFOID:000000003936630

**NOTE:**

If DTC P0441 is displayed with other DTC such as P2122, P2123, P2127, P2128 or P2138, first perform the trouble diagnosis for other DTC.



In this evaporative emission (EVAP) control system, purge flow occurs during non-closed throttle conditions. Purge volume is related to air intake volume. Under normal purge conditions (non-closed throttle), the EVAP canister purge volume control solenoid valve is open to admit purge flow. Purge flow exposes the EVAP control system pressure sensor to intake manifold vacuum.

### On Board Diagnosis Logic

INFOID:000000003936631

Under normal conditions (non-closed throttle), sensor output voltage indicates if pressure drop and purge flow are adequate. If not, a malfunction is determined.

DTC No.	Trouble diagnosis name	DTC detecting condition	Possible cause
P0441 0441	EVAP control system incorrect purge flow	EVAP control system does not operate properly. EVAP control system has a leak between intake manifold and EVAP control system pressure sensor.	<ul style="list-style-type: none"> <li>• EVAP canister purge volume control solenoid valve stuck closed</li> <li>• EVAP control system pressure sensor and the circuit</li> <li>• Loose, disconnected or improper connection of rubber tube</li> <li>• Blocked rubber tube</li> <li>• Cracked EVAP canister</li> <li>• EVAP canister purge volume control solenoid valve circuit</li> <li>• Accelerator pedal position sensor</li> <li>• Blocked purge port</li> <li>• EVAP canister vent control valve</li> <li>• Drain filter</li> </ul>

### DTC Confirmation Procedure

INFOID:000000003936632

**CAUTION:**

Always drive vehicle at a safe speed.

**NOTE:**

If DTC Confirmation Procedure has been previously conducted, always perform the following procedure before conducting the next step.

1. Turn ignition switch OFF and wait at least 10 seconds.
2. Turn ignition switch ON.
3. Turn ignition switch OFF and wait at least 10 seconds.

**TESTING CONDITION:**

# P0441 EVAP CONTROL SYSTEM

< COMPONENT DIAGNOSIS >

[VK56DE]

**Always perform test at a temperature of 5°C (41°F) or more.**

## Ⓜ WITH CONSULT-III

1. Start engine and warm it up to normal operating temperature.
2. Turn ignition switch OFF and wait at least 10 seconds.
3. Turn ignition switch ON.
4. Turn ignition switch OFF and wait at least 10 seconds.
5. Start engine and let it idle for at least 70 seconds.
6. Select "PURG FLOW P0441" of "EVAPORATIVE SYSTEM" in "DTC WORK SUPPORT" mode with CONSULT-III.
7. Touch "START".  
If "COMPLETED" is displayed, go to step 9.
8. When the following conditions are met, "TESTING" will be displayed on the CONSULT-III screen. Maintain the conditions continuously until "TESTING" changes to "COMPLETED". (It will take at least 35 seconds.)

Selector lever	Suitable position
VHCL SPEED SE	32 - 120 km/h (20 - 75 MPH)
ENG SPEED	500 - 3,000 rpm
B/FUEL SCHDL	1.0 - 12.0 msec
COOLAN TEMP/S	0 - 119°C (32 - 246°F)

**If "TESTING" does not change for a long time, retry from step 2.**

9. Check that "OK" is displayed after touching "SELF-DIAG RESULTS".  
If "NG" is displayed, go to [EC-700, "Diagnosis Procedure"](#).

## Overall Function Check

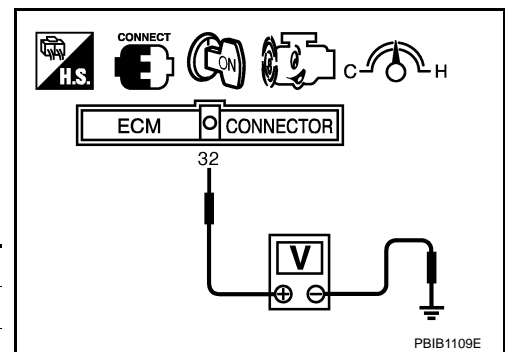
INFOID:000000003936633

Use this procedure to check the overall function of the EVAP control system purge flow monitoring. During this check, a 1st trip DTC might not be confirmed.

## Ⓜ WITH GST

1. Lift up drive wheels.
2. Start engine (VDC switch OFF) and warm it up to normal operating temperature.
3. Turn ignition switch OFF, wait at least 10 seconds.
4. Start engine and wait at least 70 seconds.
5. Set voltmeter probes to ECM terminals 32 (EVAP control system pressure sensor signal) and ground.
6. Check EVAP control system pressure sensor value at idle speed and note it.
7. Establish and maintain the following conditions for at least 1 minute.

Air conditioner switch	ON
Headlamp switch	ON
Engine speed	Approx. 3,000 rpm
Selector lever position	Any position other than P, N or R



8. Verify that EVAP control system pressure sensor value stays 0.1 V less than the value at idle speed (measured at step 8) for at least 1 second.
9. If NG, go to [EC-700, "Diagnosis Procedure"](#).

## Diagnosis Procedure

INFOID:000000003936634

### 1. CHECK EVAP CANISTER

1. Turn ignition switch OFF.
2. Check EVAP canister for cracks.



# P0441 EVAP CONTROL SYSTEM

[VK56DE]

< COMPONENT DIAGNOSIS >

OK or NG

- OK (With CONSULT-III)>>GO TO 2.
- OK (Without CONSULT-III)>>GO TO 3.
- NG >> Replace EVAP canister.

## 2.CHECK PURGE FLOW

**With CONSULT-III**

1. Disconnect vacuum hose connected to EVAP canister purge volume control solenoid valve and EVAP service port from EVAP service port. For the location of EVAP service port, refer to [EC-520, "Description"](#).
2. Install vacuum gauge between the vacuum hose and EVAP service port.
3. Start engine and let it idle.
4. Select "PURG VOL CONT/V" in "ACTIVE TEST" mode with CONSULT-III.
5. Rev engine up to 2,000 rpm.
6. Touch "Qd" and "Qu" on CONSULT-III screen to adjust "PURG VOL C/V" opening and check vacuum existence.

PURG VOL C/V	Vacuum
100%	Should exist.
0%	Should not exist.

OK or NG

- OK >> GO TO 7.
- NG >> GO TO 4.

## 3.CHECK PURGE FLOW

**Without CONSULT-III**

1. Start engine and warm it up to normal operating temperature.
2. Stop engine.
3. Disconnect vacuum hose connected to EVAP canister purge volume control solenoid valve and EVAP service port from EVAP service port. For the location of EVAP service port, refer to [EC-520, "Description"](#).
4. Install vacuum gauge between the vacuum hose and EVAP service port.
5. Start engine and let it idle.  
**Never depress accelerator pedal even slightly.**
6. Check vacuum gauge indication before 60 seconds pass after starting engine.

**Vacuum should not exist.**

7. Rev engine up to 2,000 rpm after 100 seconds pass after starting engine.

**Vacuum should exist.**

OK or NG

- OK >> GO TO 7.
- NG >> GO TO 4.

## 4.CHECK EVAP PURGE LINE

1. Turn ignition switch OFF.
2. Check EVAP purge line for improper connection or disconnection.  
Refer to [EC-520, "Description"](#).

OK or NG

- OK >> GO TO 5.
- NG >> Repair malfunctioning part.

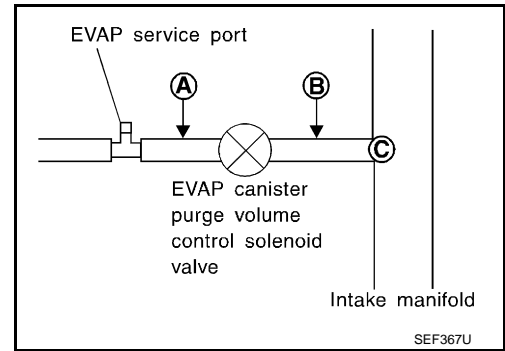
## 5.CHECK EVAP PURGE HOSE AND PURGE PORT

# P0441 EVAP CONTROL SYSTEM

[VK56DE]

## < COMPONENT DIAGNOSIS >

1. Disconnect purge hoses connected to EVAP service port **A** and EVAP canister purge volume control solenoid valve **B**.
2. Blow air into each hose and EVAP purge port **C**.



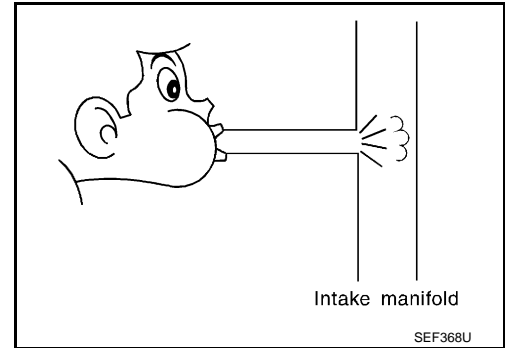
3. Check that air flows freely.

### OK or NG

OK (With CONSULT-III)>>GO TO 6.

OK (Without CONSULT-III)>>GO TO 7.

NG >> Repair or clean hoses and/or purge port.



## 6.CHECK EVAP CANISTER PURGE VOLUME CONTROL SOLENOID VALVE

### With CONSULT-III

1. Start engine.
2. Perform "PURG VOL CONT/V" in "ACTIVE TEST" mode with CONSULT-III. Check that engine speed varies according to the valve opening.

### OK or NG

OK >> GO TO 8.

NG >> GO TO 7.

## 7.CHECK EVAP CANISTER PURGE VOLUME CONTROL SOLENOID VALVE

Refer to [EC-718, "Component Inspection"](#).

### OK or NG

OK >> GO TO 8.

NG >> Replace EVAP canister purge volume control solenoid valve.

## 8.CHECK EVAP CONTROL SYSTEM PRESSURE SENSOR CONNECTOR

1. Disconnect EVAP control system pressure sensor harness connector.
2. Check connectors for water.

**Water should not exist.**

### OK or NG

OK >> GO TO 9.

NG >> Replace EVAP control system pressure sensor.

## 9.CHECK EVAP CONTROL SYSTEM PRESSURE SENSOR FUNCTION

Refer to DTC Confirmation Procedure for DTC P0452, [EC-731, "DTC Confirmation Procedure"](#) and for P0453, [EC-735, "DTC Confirmation Procedure"](#).

### OK or NG

OK >> GO TO 10.

NG >> Replace EVAP control system pressure sensor.

## 10.CHECK RUBBER TUBE FOR CLOGGING

1. Disconnect rubber tube connected to EVAP canister vent control valve.

# P0441 EVAP CONTROL SYSTEM

[VK56DE]

## < COMPONENT DIAGNOSIS >

2. Check the rubber tube for clogging.

### OK or NG

OK >> GO TO 11.

NG >> Clean the rubber tube using an air blower.

## 11. CHECK DRAIN FILTER

Refer to [EC-703, "Component Inspection"](#).

### OK or NG

OK >> GO TO 12.

NG >> Replace drain filter.

## 12. CHECK EVAP CANISTER VENT CONTROL VALVE

Refer to [EC-721, "Component Inspection"](#).

### OK or NG

OK >> GO TO 13.

NG >> Replace EVAP canister vent control valve.

## 13. CHECK EVAP PURGE LINE

Inspect EVAP purge line (pipe and rubber tube). Check for evidence of leaks.

Refer to [EC-520, "Description"](#).

### OK or NG

OK >> GO TO 14.

NG >> Replace malfunctioning part.

## 14. CLEAN EVAP PURGE LINE

Clean EVAP purge line (pipe and rubber tube) using air blower.

>> GO TO 15.

## 15. CHECK INTERMITTENT INCIDENT

Refer to [GI-49, "Intermittent Incident"](#).

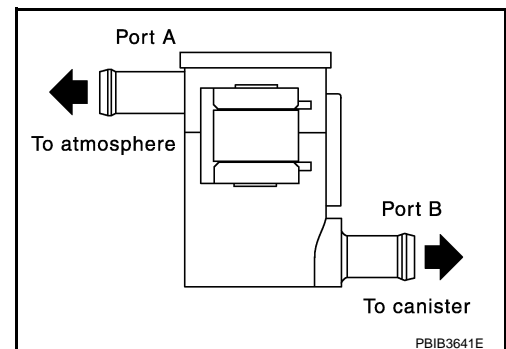
>> **INSPECTION END**

## Component Inspection

INFOID:000000003936635

### DRAIN FILTER

1. Check visually for insect nests in the drain filter air inlet.
2. Check visually for cracks or flaws in the appearance.
3. Check visually for cracks or flaws in the hose.
4. Blow air into port A and check that it flows freely out of port B.
5. Block port B.
6. Blow air into port A and check that there is no leakage.
7. If NG, replace drain filter.



# P0442 EVAP CONTROL SYSTEM

< COMPONENT DIAGNOSIS >

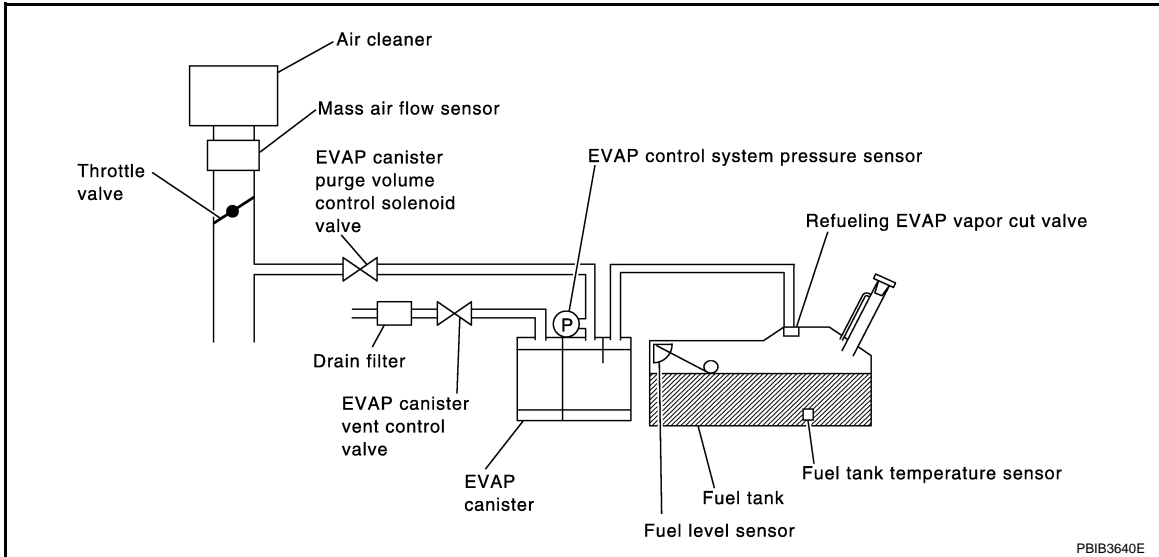
[VK56DE]

## P0442 EVAP CONTROL SYSTEM

### On Board Diagnosis Logic

INFOID:000000003936636

This diagnosis detects leaks in the EVAP purge line using engine intake manifold vacuum. If pressure does not increase, the ECM will check for leaks in the line between the fuel tank and EVAP canister purge volume control solenoid valve, under the following "Vacuum test" conditions. The EVAP canister vent control valve is closed to shut the EVAP purge line off. The EVAP canister purge volume control solenoid valve will then be opened to depressurize the EVAP purge line using intake manifold vacuum. After this occurs, the EVAP canister purge volume control solenoid valve will be closed.



DTC No.	Trouble diagnosis name	DTC detecting condition	Possible cause
P0442 0442	EVAP control system small leak detected (negative pressure)	EVAP control system has a leak, EVAP control system does not operate properly.	<ul style="list-style-type: none"> <li>• Incorrect fuel tank vacuum relief valve</li> <li>• Incorrect fuel filler cap used</li> <li>• Fuel filler cap remains open or does not close</li> <li>• Foreign matter caught in fuel filler cap</li> <li>• Leak is in line between intake manifold and EVAP canister purge volume control solenoid valve</li> <li>• Foreign matter caught in EVAP canister vent control valve</li> <li>• EVAP canister or fuel tank leaks</li> <li>• EVAP purge line (pipe and rubber tube) leaks</li> <li>• EVAP purge line rubber tube bent</li> <li>• Loose or disconnected rubber tube</li> <li>• EVAP canister vent control valve and the circuit</li> <li>• EVAP canister purge volume control solenoid valve and the circuit</li> <li>• Fuel tank temperature sensor</li> <li>• Drain filter</li> <li>• O-ring of EVAP canister vent control valve is missing or damaged</li> <li>• EVAP canister is saturated with water</li> <li>• EVAP control system pressure sensor</li> <li>• Fuel level sensor and the circuit</li> <li>• Refueling EVAP vapor cut valve</li> <li>• ORVR system leaks</li> </ul>

#### CAUTION:

- Use only a genuine NISSAN fuel filler cap as a replacement. If an incorrect fuel filler cap is used, the MIL may illuminate.
- If the fuel filler cap is not tightened properly, the MIL may illuminate.
- Use only a genuine NISSAN rubber tube as a replacement.

# P0442 EVAP CONTROL SYSTEM

< COMPONENT DIAGNOSIS >

[VK56DE]

## DTC Confirmation Procedure

INFOID:000000003936637

### NOTE:

If DTC Confirmation Procedure has been previously conducted, always perform the following procedure before conducting the next step.

1. Turn ignition switch OFF and wait at least 10 seconds.
2. Turn ignition switch ON.
3. Turn ignition switch OFF and wait at least 10 seconds.

### TESTING CONDITION:

- Perform “DTC WORK SUPPORT” when the fuel level is between 1/4 and 3/4 full, and vehicle is placed on flat level surface.
- Always perform test at a temperature of 0 to 30°C (32 to 86°F).

### Ⓜ WITH CONSULT-III

1. Turn ignition switch ON.
2. Turn ignition switch OFF and wait at least 10 seconds.
3. Turn ignition switch ON and select “DATA MONITOR” mode with CONSULT-III.
4. Check that the following conditions are met.

**COOLAN TEMP/S: 0 - 70°C (32 - 158°F)**

**INT/A TEMP SE: 0 - 30°C (32 - 86°F)**

5. Select “EVP SML LEAK P0442/P1442” of “EVAPORATIVE SYSTEM” in “DTC WORK SUPPORT” mode with CONSULT-III.

Follow the instructions displayed.

### NOTE:

If the engine speed cannot be maintained within the range displayed on the CONSULT-III screen, go to [EC-495, "Basic Inspection"](#).

6. Check that “OK” is displayed.  
If “NG” is displayed, go to [EC-705, "Diagnosis Procedure"](#).

### NOTE:

**Check that EVAP hoses are connected to EVAP canister purge volume control solenoid valve properly.**

### Ⓜ WITH GST

### NOTE:

Always read the explanation of “Driving Pattern” in [EC-525, "Emission-related Diagnostic Information"](#) before driving vehicle.

1. Start engine.
  2. Drive vehicle according to “Driving Pattern” in [EC-525, "Emission-related Diagnostic Information"](#).
  3. Stop vehicle.
  4. Turn ignition switch OFF and wait at least 10 seconds.
  5. Turn ignition switch ON.
  6. Turn ignition switch OFF and wait at least 10 seconds.
  7. Select Service \$07 with GST.
- If P0442 is displayed on the screen, go to [EC-705, "Diagnosis Procedure"](#).
  - If P0441 is displayed on the screen, go to [EC-700, "Diagnosis Procedure"](#).

## Diagnosis Procedure

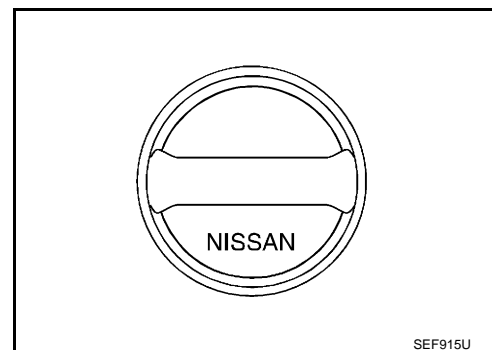
INFOID:000000003936638

### 1. CHECK FUEL FILLER CAP DESIGN

1. Turn ignition switch OFF.
2. Check for genuine NISSAN fuel filler cap design.

### OK or NG

- OK >> GO TO 2.  
NG >> Replace with genuine NISSAN fuel filler cap.



SEF915U

# P0442 EVAP CONTROL SYSTEM

< COMPONENT DIAGNOSIS >

[VK56DE]

## 2. CHECK FUEL FILLER CAP INSTALLATION

Check that the cap is tightened properly by rotating the cap clockwise.

OK or NG

OK >> GO TO 3.

- NG >> 1. Open fuel filler cap, then clean cap and fuel filler neck threads using air blower.  
2. Retighten until ratcheting sound is heard.

## 3. CHECK FUEL FILLER CAP FUNCTION

Check for air releasing sound while opening the fuel filler cap.

OK or NG

OK >> GO TO 5.

NG >> GO TO 4.

## 4. CHECK FUEL TANK VACUUM RELIEF VALVE

Refer to [EC-710, "Component Inspection"](#).

OK or NG

OK >> GO TO 5.

NG >> Replace fuel filler cap with a genuine one.

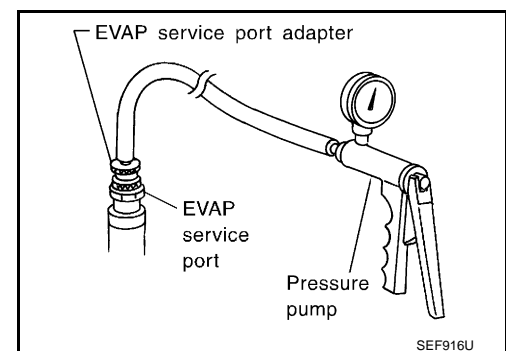
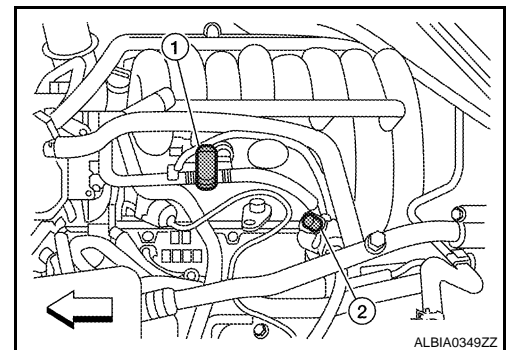
## 5. INSTALL THE PRESSURE PUMP

To locate the EVAP leak, install EVAP service port adapter (commercial service tool) and pressure pump to EVAP service port securely.

**NOTE:**

**Improper installation of the EVAP service port adapter (commercial service tool) to the EVAP service port may cause leaking.**

- EVAP canister purge volume control solenoid valve (1)
- EVAP service port (2)
- ↶: Vehicle front



With CONSULT-III>>GO TO 6.

Without CONSULT-III>>GO TO 7.

## 6. CHECK FOR EVAP LEAK

Ⓟ **With CONSULT-III**

1. Turn ignition switch ON.
2. Select "EVAP SYSTEM CLOSE" of "WORK SUPPORT" mode with CONSULT-III.
3. Touch "START" and apply pressure into the EVAP line until the pressure indicator reaches the middle of the bar graph.

**CAUTION:**

- Never use compressed air or a high pressure pump.
- Never exceed 4.12 kPa (0.042 kg/cm<sup>2</sup>, 0.6 psi) of pressure in the system.

# P0442 EVAP CONTROL SYSTEM

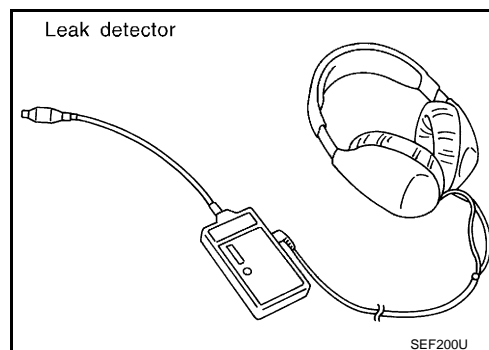
[VK56DE]

## < COMPONENT DIAGNOSIS >

- Using EVAP leak detector (commercial service tool), locate the EVAP leak. For the leak detector (commercial service tool), refer to the instruction manual for more details.

### OK or NG

- OK >> GO TO 8.  
NG >> Repair or replace malfunctioning part.



## 7. CHECK FOR EVAP LEAK

### ⊗ Without CONSULT-III

- Turn ignition switch OFF.
- Apply 12 volts DC to EVAP canister vent control valve (3). The valve will close. (Continue to apply 12 volts until the end of test.)
  - Fuel filler pipe (top of frame view) (1)
  - EVAP control system pressure sensor (2)
  - EVAP canister (4)
  - Drain filter (5)
- Pressurize the EVAP line using pressure pump with 1.38 to 2.76 kPa (0.014 to 0.028 kg/cm<sup>2</sup>, 0.2 to 0.4 psi), then remove the pressure pump and EVAP service port adapter (commercial service tool).

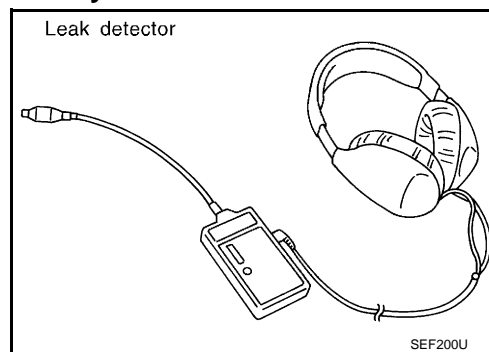
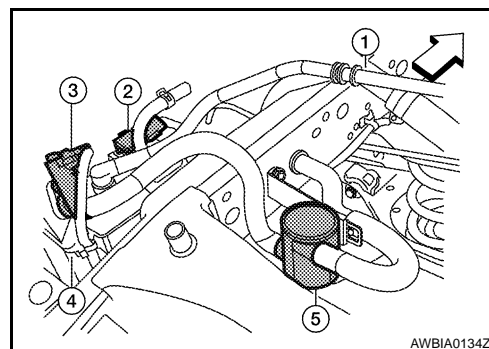
### CAUTION:

- Never use compressed air or a high pressure pump.
- Never exceed 4.12 kPa (0.042 kg/cm<sup>2</sup>, 0.6 psi) of pressure in the system.

- Using EVAP leak detector (commercial service tool), locate the EVAP leak. For the leak detector (commercial service tool), refer to the instruction manual for more details.

### OK or NG

- OK >> GO TO 8.  
NG >> Repair or replace malfunctioning part+.



## 8. CHECK DRAIN FILTER

Refer to [EC-710. "Component Inspection"](#).

### OK or NG

- OK >> GO TO 9.  
NG >> Replace drain filter.

## 9. CHECK EVAP CANISTER VENT CONTROL VALVE

Check the following.

- EVAP canister vent control valve is installed properly.  
Refer to [EC-955. "Removal and Installation"](#).
- EVAP canister vent control valve.  
Refer to [EC-721. "Component Inspection"](#).

### OK or NG

- OK >> GO TO 10.  
NG >> Repair or replace EVAP canister vent control valve and O-ring.

## 10. CHECK IF EVAP CANISTER IS SATURATED WITH WATER

# P0442 EVAP CONTROL SYSTEM

[VK56DE]

## < COMPONENT DIAGNOSIS >

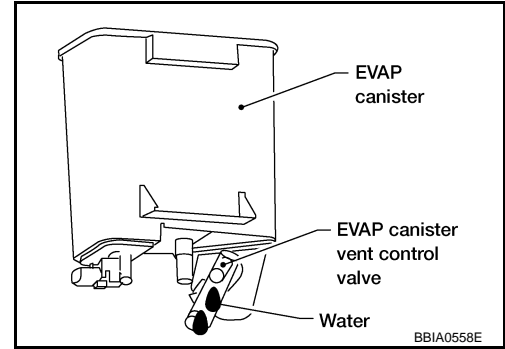
1. Remove EVAP canister with EVAP canister vent control valve and EVAP control system pressure sensor attached.
2. Does water drain from the EVAP canister?

### Yes or No

Yes >> GO TO 11.

No (With CONSULT-III)>>GO TO 13.

No (Without CONSULT-III)>>GO TO 14.



## 11. CHECK EVAP CANISTER

Weigh the EVAP canister with the EVAP canister vent control valve and EVAP control system pressure sensor attached.

**The weight should be less than 2.0 kg (4.4 lb).**

### OK or NG

OK (With CONSULT-III)>>GO TO 13.

OK (Without CONSULT-III)>>GO TO 14.

NG >> GO TO 12.

## 12. DETECT MALFUNCTIONING PART

Check the following.

- EVAP canister for damage
- EVAP hose between EVAP canister and drain filter for clogging or poor connection

>> Repair hose or replace EVAP canister.

## 13. CHECK EVAP CANISTER PURGE VOLUME CONTROL SOLENOID VALVE OPERATION

### With CONSULT-III

1. Disconnect vacuum hose connected to EVAP canister purge volume control solenoid valve and EVAP service port from EVAP service port.
2. Start engine.
3. Perform "PURG VOL CONT/V" in "ACTIVE TEST" mode.
4. Touch "Qu" on CONSULT-III screen to increase "PURG VOL C/V" opening to 100%.
5. Check vacuum hose for vacuum when revving engine up to 2,000 rpm.

**Vacuum should exist.**

### OK or NG

OK >> GO TO 16.

NG >> GO TO 15.

## 14. CHECK EVAP CANISTER PURGE VOLUME CONTROL SOLENOID VALVE OPERATION

### Without CONSULT-III

1. Start engine and warm it up to normal operating temperature.
2. Stop engine.
3. Disconnect vacuum hose connected to EVAP canister purge volume control solenoid valve and EVAP service port from EVAP service port.
4. Start engine and let it idle for at least 80 seconds.
5. Check vacuum hose for vacuum when revving engine up to 2,000 rpm.

**Vacuum should exist.**

### OK or NG

OK >> GO TO 17.

NG >> GO TO 15.



# P0442 EVAP CONTROL SYSTEM

< COMPONENT DIAGNOSIS >

[VK56DE]

## 15.CHECK VACUUM HOSE

Check vacuum hoses for clogging or disconnection. Refer to [EC-520. "Description"](#).

OK or NG

OK >> GO TO 16.

NG >> Repair or reconnect the hose.

## 16.CHECK EVAP CANISTER PURGE VOLUME CONTROL SOLENOID VALVE

Refer to [EC-718. "Component Inspection"](#).

OK or NG

OK >> GO TO 17.

NG >> Replace EVAP canister purge volume control solenoid valve.

## 17.CHECK FUEL TANK TEMPERATURE SENSOR

Refer to [EC-672. "Component Inspection"](#).

OK or NG

OK >> GO TO 18.

NG >> Replace "fuel level sensor unit and fuel pump".

## 18.CHECK EVAP CONTROL SYSTEM PRESSURE SENSOR

Refer to [EC-730. "Component Inspection"](#).

OK or NG

OK >> GO TO 19.

NG >> Replace EVAP control system pressure sensor.

## 19.CHECK EVAP PURGE LINE

Check EVAP purge line (pipe, rubber tube, fuel tank and EVAP canister) for cracks or improper connection.

Refer to [EC-520. "Description"](#).

OK or NG

OK >> GO TO 20.

NG >> Repair or reconnect the hose.

## 20.CLEAN EVAP PURGE LINE

Clean EVAP purge line (pipe and rubber tube) using air blower.

>> GO TO 21.

## 21.CHECK EVAP/ORVR LINE

Check EVAP/ORVR line between EVAP canister and fuel tank for clogging, kinks, looseness and improper connection. For location, refer to [EC-877. "System Description"](#).

OK or NG

OK >> GO TO 22.

NG >> Repair or replace hoses and tubes.

## 22.CHECK RECIRCULATION LINE

Check recirculation line between filler neck tube and fuel tank for clogging, kinks, cracks, looseness and improper connection.

OK or NG

OK >> GO TO 23.

NG >> Repair or replace hose, tube or filler neck tube.

## 23.CHECK REFUELING EVAP VAPOR CUT VALVE

Refer to [EC-880. "Component Inspection"](#).

OK or NG

OK >> GO TO 24.

NG >> Replace refueling EVAP vapor cut valve with fuel tank.

# P0442 EVAP CONTROL SYSTEM

[VK56DE]

< COMPONENT DIAGNOSIS >

## 24. CHECK FUEL LEVEL SENSOR

Refer to [MWI-32. "Component Function Check"](#).

OK or NG

OK >> GO TO 25.

NG >> Replace fuel level sensor unit.

## 25. CHECK INTERMITTENT INCIDENT

Refer to [GI-49. "Intermittent Incident"](#).

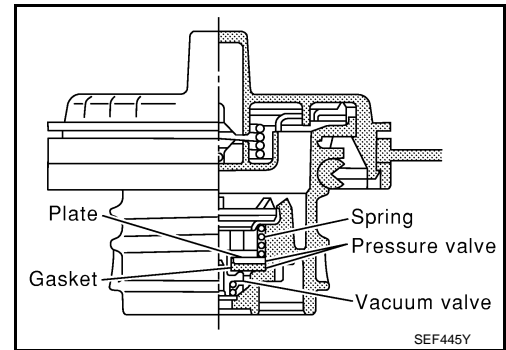
>> INSPECTION END

## Component Inspection

INFOID:000000003936639

### FUEL TANK VACUUM RELIEF VALVE (BUILT INTO FUEL FILLER CAP)

1. Wipe clean valve housing.



2. Check valve opening pressure and vacuum.

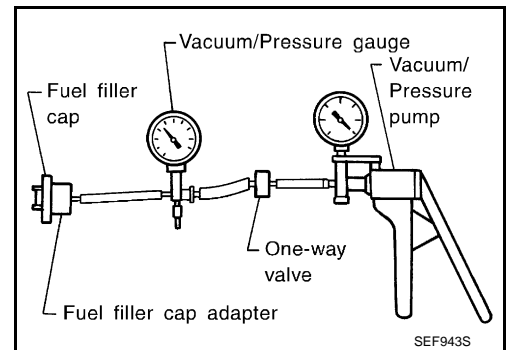
**Pressure:** 15.3 - 20.0 kPa (0.156 - 0.204 kg/cm<sup>2</sup>, 2.22 - 2.90 psi)

**Vacuum:** -6.0 to -3.3 kPa (-0.061 to -0.034 kg/cm<sup>2</sup>, -0.87 to -0.48 psi)

3. If out of specification, replace fuel filler cap as an assembly.

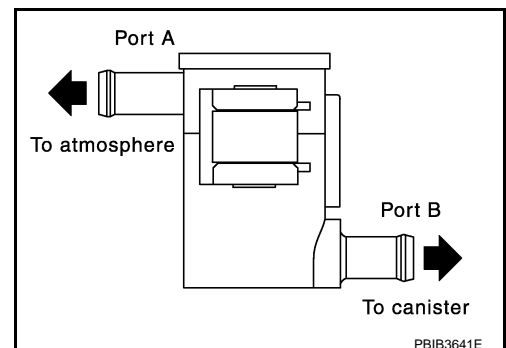
#### CAUTION:

**Use only a genuine fuel filler cap as a replacement. If an incorrect fuel filler cap is used, the MIL may illuminate.**



### DRAIN FILTER

1. Check visually for insect nests in the drain filter air inlet.
2. Check visually for cracks or flaws in the appearance.
3. Check visually for cracks or flaws in the hose.
4. Blow air into port A and check that it flows freely out of port B.
5. Block port B.
6. Blow air into port A and check that there is no leakage.
7. If NG, replace drain filter.



# P0443 EVAP CANISTER PURGE VOLUME CONTROL SOLENOID VALVE

< COMPONENT DIAGNOSIS >

[VK56DE]

## P0443 EVAP CANISTER PURGE VOLUME CONTROL SOLENOID VALVE

### Description

INFOID:000000004333362

### SYSTEM DESCRIPTION

Sensor	Input signal to ECM	ECM function	Actuator
Crankshaft position sensor (POS) Camshaft position sensor (PHASE)	Engine speed*1	EVAP canister purge flow control	EVAP canister purge volume control solenoid valve
Mass air flow sensor	Amount of intake air		
Engine coolant temperature sensor	Engine coolant temperature		
Battery	Battery voltage*1		
Throttle position sensor	Throttle position		
Accelerator pedal position sensor	Accelerator pedal position		
Air fuel ratio (A/F) sensor 1	Density of oxygen in exhaust gas (Mixture ratio feedback signal)		
Fuel tank temperature sensor	Fuel temperature in fuel tank		
Unified meter control unit	Vehicle speed*2		

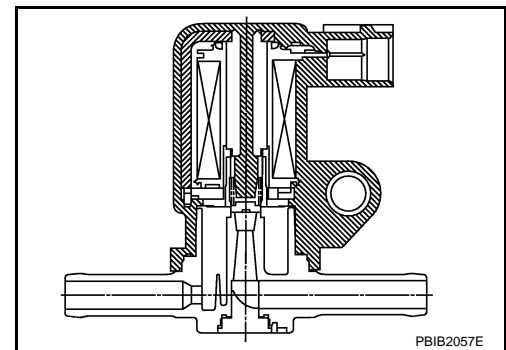
\*1: ECM determines the start signal status by the signals of engine speed and battery voltage.

\*2: This signal is sent to the ECM via the CAN communication line.

This system controls flow rate of fuel vapor from the EVAP canister. The opening of the vapor by-pass passage in the EVAP canister purge volume control solenoid valve changes to control the flow rate. The EVAP canister purge volume control solenoid valve repeats ON/OFF operation according to the signal sent from the ECM. The opening of the valve varies for optimum engine control. The optimum value stored in the ECM is determined by considering various engine conditions. When the engine is operating, the flow rate of fuel vapor from the EVAP canister is regulated as the air flow changes.

### COMPONENT DESCRIPTION

The EVAP canister purge volume control solenoid valve is used to control the flow rate of fuel vapor from the EVAP canister. The EVAP canister purge volume control solenoid valve is moved by ON/OFF pulses from the ECM. The longer the ON pulse, the greater the amount of fuel vapor that will flow through the valve.



### On Board Diagnosis Logic

INFOID:000000003936641

DTC No.	Trouble diagnosis name	DTC detecting condition	Possible cause
P0443 0443	EVAP canister purge volume control solenoid valve	The canister purge flow is detected during the specified driving conditions, even when EVAP canister purge volume control solenoid valve is completely closed.	<ul style="list-style-type: none"> <li>• EVAP control system pressure sensor</li> <li>• EVAP canister purge volume control solenoid valve (The valve is stuck open.)</li> <li>• EVAP canister vent control valve</li> <li>• Drain filter</li> <li>• EVAP canister</li> <li>• Hoses (Hoses are connected incorrectly or clogged.)</li> </ul>

# P0443 EVAP CANISTER PURGE VOLUME CONTROL SOLENOID VALVE

< COMPONENT DIAGNOSIS >

[VK56DE]

## DTC Confirmation Procedure

INFOID:000000003936642

### NOTE:

If DTC Confirmation Procedure has been previously conducted, always perform the following procedure before conducting the next step.

1. Turn ignition switch OFF and wait at least 10 seconds.
2. Turn ignition switch ON.
3. Turn ignition switch OFF and wait at least 10 seconds.

### TESTING CONDITION:

**Always perform test at a temperature of 5°C (41°F) or more.**

#### Ⓜ WITH CONSULT-III

1. Start engine and warm it up to normal operating temperature.
2. Turn ignition switch OFF and wait at least 10 seconds.
3. Turn ignition switch ON.
4. Turn ignition switch OFF and wait at least 10 seconds.
5. Turn ignition switch ON.
6. Select "PURG VOL CN/V P1444" of "EVAPORATIVE SYSTEM" in "DTC WORK SUPPORT" mode with CONSULT-III.
7. Touch "START".
8. Start engine and let it idle until "TESTING" on CONSULT-III changes to "COMPLETED". (It will take approximately 10 seconds.)  
**If "TESTING" is not displayed after 5 minutes, retry from step 2.**
9. Check that "OK" is displayed after touching "SELF-DIAG RESULTS".  
If "NG" is displayed, go to [EC-712. "Diagnosis Procedure"](#).

#### Ⓜ WITH GST

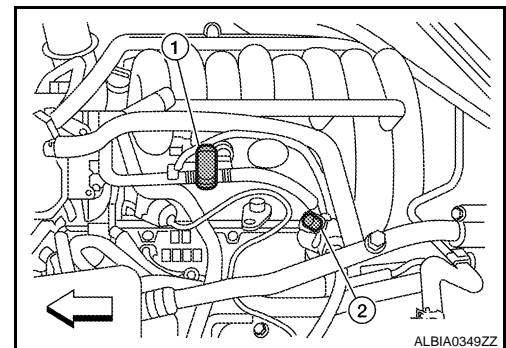
1. Start engine and warm it up to normal operating temperature.
2. Turn ignition switch OFF and wait at least 10 seconds.
3. Turn ignition switch ON.
4. Turn ignition switch OFF and wait at least 10 seconds.
5. Start engine and let it idle for at least 20 seconds.
6. Select Service \$07 with GST.
7. If 1st trip DTC is detected, go to [EC-712. "Diagnosis Procedure"](#).

## Diagnosis Procedure

INFOID:000000003936643

### 1. CHECK EVAP CANISTER PURGE VOLUME CONTROL SOLENOID VALVE POWER SUPPLY CIRCUIT

1. Turn ignition switch OFF.
2. Disconnect EVAP canister purge volume control solenoid valve  
(1) harness connector.  
- EVAP service port (2)  
- ⇐: Vehicle front
3. Turn ignition switch ON.



# P0443 EVAP CANISTER PURGE VOLUME CONTROL SOLENOID VALVE

[VK56DE]

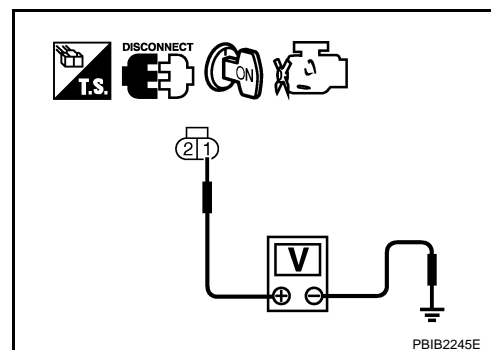
## < COMPONENT DIAGNOSIS >

4. Check voltage between EVAP canister purge volume control solenoid valve terminal 1 and ground with CONSULT-III or tester.

**Voltage: Battery voltage**

### OK or NG

- OK >> GO TO 3.
- NG >> GO TO 2.



## 2. DETECT MALFUNCTIONING PART

Check the following.

- Harness connectors E2, F32
- IPDM E/R harness connector E119
- Harness for open or short between EVAP canister purge volume control solenoid valve and IPDM E/R
- Harness for open or short between EVAP canister purge volume control solenoid valve and ECM

>> Repair harness or connectors.

## 3. CHECK EVAP CANISTER PURGE VOLUME CONTROL SOLENOID VALVE OUTPUT SIGNAL CIRCUIT FOR OPEN AND SHORT

1. Turn ignition switch OFF.
2. Disconnect ECM harness connector.
3. Check harness continuity between ECM terminal 45 and EVAP canister purge volume control solenoid valve terminal 2. Refer to Wiring Diagram.

**Continuity should exist.**

4. Also check harness for short to ground and short to power.

### OK or NG

- OK >> GO TO 4.
- NG >> Repair open circuit or short to ground or short to power in harness or connectors.

## 4. CHECK EVAP CONTROL SYSTEM PRESSURE SENSOR CONNECTOR

1. Disconnect EVAP control system pressure sensor harness connector.
2. Check connectors for water.

**Water should not exist.**

### OK or NG

- OK >> GO TO 5.
- NG >> Replace EVAP control system pressure sensor.

## 5. CHECK EVAP CONTROL SYSTEM PRESSURE SENSOR

Refer to [EC-730. "Component Inspection"](#).

### OK or NG

- OK (With CONSULT-III) >> GO TO 6.
- OK (Without CONSULT-III) >> GO TO 7.
- NG >> Replace EVAP control system pressure sensor.

## 6. CHECK EVAP CANISTER PURGE VOLUME CONTROL SOLENOID VALVE

### With CONSULT-III

1. Turn ignition switch OFF.
2. Reconnect all harness connectors disconnected.
3. Start engine.
4. Perform "PURG VOL CONT/V" in "ACTIVE TEST" mode with CONSULT-III.
5. Check that engine speed varies according to the valve opening.

# P0443 EVAP CANISTER PURGE VOLUME CONTROL SOLENOID VALVE

< COMPONENT DIAGNOSIS >

[VK56DE]

## OK or NG

- OK >> GO TO 8.
- NG >> GO TO 7.

## 7. CHECK EVAP CANISTER PURGE VOLUME CONTROL SOLENOID VALVE

Refer to [EC-715, "Component Inspection"](#).

## OK or NG

- OK >> GO TO 8.
- NG >> Replace EVAP canister purge volume control solenoid valve.

## 8. CHECK RUBBER TUBE FOR CLOGGING

1. Disconnect rubber tube connected to EVAP canister vent control valve.
2. Check the rubber tube for clogging.

## OK or NG

- OK >> GO TO 9.
- NG >> Clean the rubber tube using an air blower.

## 9. CHECK DRAIN FILTER

Refer to [EC-703, "Component Inspection"](#).

## OK or NG

- OK >> GO TO 10.
- NG >> Replace drain filter.

## 10. CHECK EVAP CANISTER VENT CONTROL VALVE

Refer to [EC-721, "Component Inspection"](#).

## OK or NG

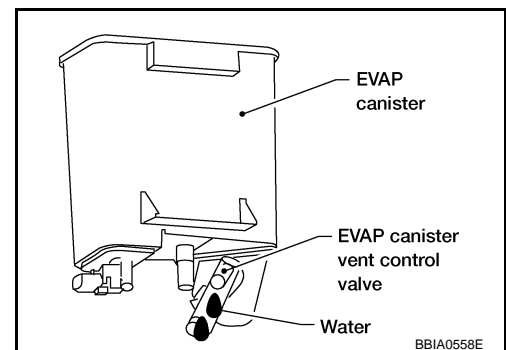
- OK >> GO TO 11.
- NG >> Replace EVAP canister vent control valve.

## 11. CHECK IF EVAP CANISTER IS SATURATED WITH WATER

1. Remove EVAP canister with EVAP canister vent control valve and EVAP control system pressure sensor attached.
2. Check if water will drain from the EVAP canister.

## Yes or No

- Yes >> GO TO 12.
- No >> GO TO 14.



## 12. CHECK EVAP CANISTER

Weigh the EVAP canister with the EVAP canister vent control valve and EVAP control system pressure sensor attached.

**The weight should be less than 2.0 kg (4.4 lb).**

## OK or NG

- OK >> GO TO 14.
- NG >> GO TO 13.

## 13. DETECT MALFUNCTIONING PART

Check the following.

- EVAP canister for damage
- EVAP hose between EVAP canister and drain filter for clogging or poor connection

# P0443 EVAP CANISTER PURGE VOLUME CONTROL SOLENOID VALVE

< COMPONENT DIAGNOSIS >

[VK56DE]

>> Repair hose or replace EVAP canister.

## 14.CHECK INTERMITTENT INCIDENT

Refer to [GI-49, "Intermittent Incident"](#).

>> **INSPECTION END**

### Component Inspection

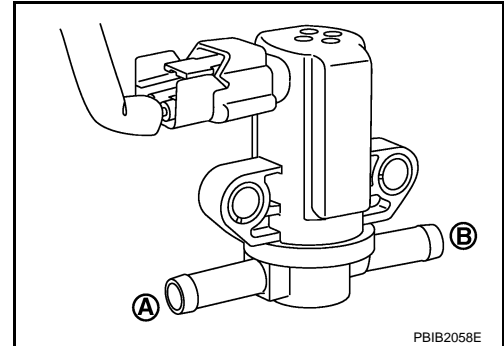
INFOID:000000004333363

#### EVAP CANISTER PURGE VOLUME CONTROL SOLENOID VALVE

With CONSULT- III

Check air passage continuity of EVAP canister purge volume control solenoid valve under the following conditions.

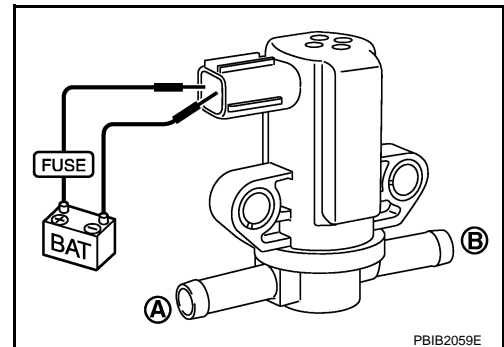
Condition (PURG VOL C/V value)	Air passage continuity between A and B
100%	Yes
0%	No



Without CONSULT-III

Check air passage continuity of EVAP canister purge volume control solenoid valve under the following conditions.

Condition	Air passage continuity between A and B
12V direct current supply between terminals 1 and 2	Yes
No supply	No



# P0444, P0445 EVAP CANISTER PURGE VOLUME CONTROL SOLENOID VALVE

< COMPONENT DIAGNOSIS >

[VK56DE]

## P0444, P0445 EVAP CANISTER PURGE VOLUME CONTROL SOLENOID VALVE

### Description

INFOID:000000003936645

### SYSTEM DESCRIPTION

Sensor	Input signal to ECM	ECM function	Actuator
Crankshaft position sensor (POS) Camshaft position sensor (PHASE)	Engine speed*1	EVAP canister purge flow control	EVAP canister purge volume control solenoid valve
Mass air flow sensor	Amount of intake air		
Engine coolant temperature sensor	Engine coolant temperature		
Battery	Battery voltage*1		
Throttle position sensor	Throttle position		
Accelerator pedal position sensor	Accelerator pedal position		
Air fuel ratio (A/F) sensor 1	Density of oxygen in exhaust gas (Mixture ratio feedback signal)		
Fuel tank temperature sensor	Fuel temperature in fuel tank		
Unified meter control unit	Vehicle speed*2		

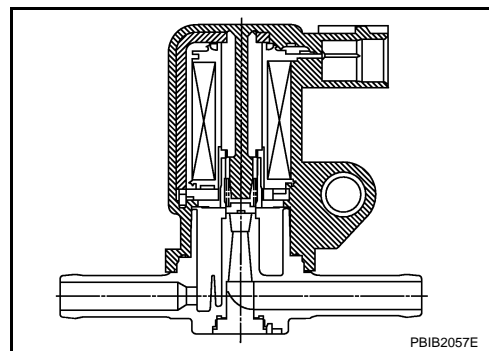
\*1: ECM determines the start signal status by the signals of engine speed and battery voltage.

\*2: This signal is sent to the ECM via the CAN communication line.

This system controls flow rate of fuel vapor from the EVAP canister. The opening of the vapor by-pass passage in the EVAP canister purge volume control solenoid valve changes to control the flow rate. The EVAP canister purge volume control solenoid valve repeats ON/OFF operation according to the signal sent from the ECM. The opening of the valve varies for optimum engine control. The optimum value stored in the ECM is determined by considering various engine conditions. When the engine is operating, the flow rate of fuel vapor from the EVAP canister is regulated as the air flow changes.

### COMPONENT DESCRIPTION

The EVAP canister purge volume control solenoid valve is used to control the flow rate of fuel vapor from the EVAP canister. The EVAP canister purge volume control solenoid valve is moved by ON/OFF pulses from the ECM. The longer the ON pulse, the greater the amount of fuel vapor that will flow through the valve.



### On Board Diagnosis Logic

INFOID:000000003936646

DTC No.	Trouble diagnosis name	DTC detecting condition	Possible cause
P0444 0444	EVAP canister purge volume control solenoid valve circuit open	An excessively low voltage signal is sent to ECM through the valve	<ul style="list-style-type: none"> <li>Harness or connectors (The solenoid valve circuit is open or shorted.)</li> <li>EVAP canister purge volume control solenoid valve</li> </ul>
P0445 0445	EVAP canister purge volume control solenoid valve circuit shorted	An excessively high voltage signal is sent to ECM through the valve	<ul style="list-style-type: none"> <li>Harness or connectors (The solenoid valve circuit is shorted.)</li> <li>EVAP canister purge volume control solenoid valve</li> </ul>



# P0444, P0445 EVAP CANISTER PURGE VOLUME CONTROL SOLENOID VALVE

< COMPONENT DIAGNOSIS >

[VK56DE]

## DTC Confirmation Procedure

INFOID:000000003936647

### NOTE:

If DTC Confirmation Procedure has been previously conducted, always perform the following procedure before conducting the next step.

1. Turn ignition switch OFF and wait at least 10 seconds.
2. Turn ignition switch ON.
3. Turn ignition switch OFF and wait at least 10 seconds.

### TESTING CONDITION:

Before performing the following procedure, confirm battery voltage is more than 11 V at idle.

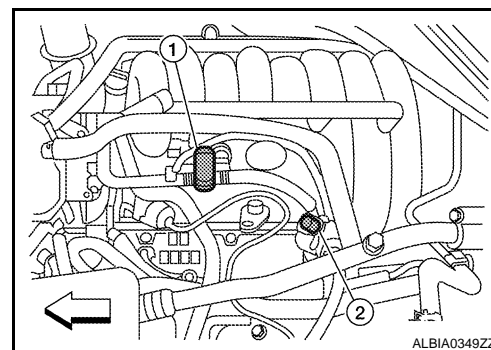
1. Start engine and let it idle for at least 13 seconds.
2. Check 1st trip DTC.
3. If 1st trip DTC is detected, go to [EC-717. "Diagnosis Procedure"](#).

## Diagnosis Procedure

INFOID:000000003936648

### 1. CHECK EVAP CANISTER PURGE VOLUME CONTROL SOLENOID VALVE POWER SUPPLY CIRCUIT

1. Turn ignition switch OFF.
2. Disconnect EVAP canister purge volume control solenoid valve (1) harness connector.
  - EVAP service port (2)
  - ↖: Vehicle front
3. Turn ignition switch ON.

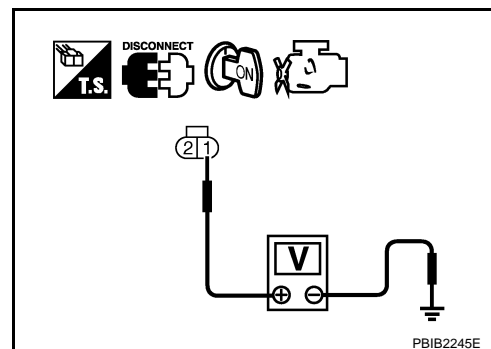


4. Check voltage between EVAP canister purge volume control solenoid valve terminal 1 and ground with CONSULT-III or tester.

**Voltage: Battery voltage**

#### OK or NG

- OK >> GO TO 3.  
NG >> GO TO 2.



### 2. DETECT MALFUNCTIONING PART

Check the following.

- Harness connectors E2, F32
- IPDM E/R harness connector E119
- Harness for open or short between EVAP canister purge volume control solenoid valve and IPDM E/R
- Harness for open or short between EVAP canister purge volume control solenoid valve and ECM

>> Repair harness or connectors.

### 3. CHECK EVAP CANISTER PURGE VOLUME CONTROL SOLENOID VALVE OUTPUT SIGNAL CIRCUIT FOR OPEN AND SHORT

1. Turn ignition switch OFF.
2. Disconnect ECM harness connector.
3. Check harness continuity between ECM terminal 45 and EVAP canister purge volume control solenoid valve terminal 2. Refer to Wiring Diagram.

**Continuity should exist.**

# P0444, P0445 EVAP CANISTER PURGE VOLUME CONTROL SOLENOID VALVE

[VK56DE]

## < COMPONENT DIAGNOSIS >

4. Also check harness for short to ground and short to power.

### OK or NG

OK (With CONSULT-III)>>GO TO 4.

OK (Without CONSULT-III)>>GO TO 5.

NG >> Repair open circuit or short to ground or short to power in harness or connectors.

## 4.CHECK EVAP CANISTER PURGE VOLUME CONTROL SOLENOID VALVE OPERATION

### Ⓜ With CONSULT-III

1. Reconnect all harness connectors disconnected.

2. Start engine.

3. Perform "PURG VOL CONT/V" in "ACTIVE TEST" mode with CONSULT-III. Check that engine speed varies according to the valve opening.

### OK or NG

OK >> GO TO 6.

NG >> GO TO 5.

## 5.CHECK EVAP CANISTER PURGE VOLUME CONTROL SOLENOID VALVE

Refer to [EC-718, "Component Inspection"](#).

### OK or NG

OK >> GO TO 6.

NG >> Replace EVAP canister purge volume control solenoid valve.

## 6.CHECK INTERMITTENT INCIDENT

Refer to [GI-49, "Intermittent Incident"](#).

>> **INSPECTION END**

## Component Inspection

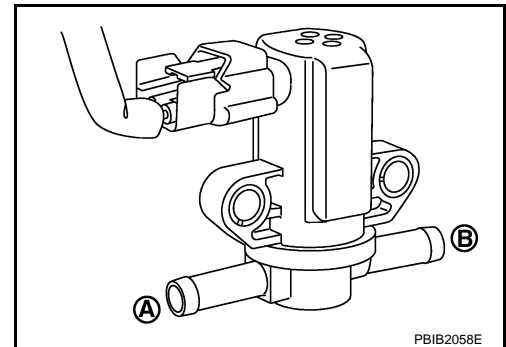
INFOID:000000003936649

## EVAP CANISTER PURGE VOLUME CONTROL SOLENOID VALVE

### Ⓜ With CONSULT- III

Check air passage continuity of EVAP canister purge volume control solenoid valve under the following conditions.

Condition (PURG VOL C/V value)	Air passage continuity between A and B
100%	Yes
0%	No

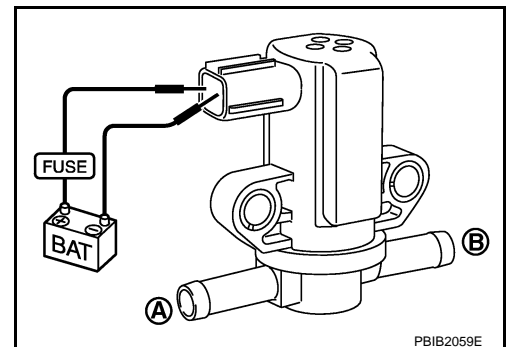


PBIB2058E

### ⊗ Without CONSULT-III

Check air passage continuity of EVAP canister purge volume control solenoid valve under the following conditions.

Condition	Air passage continuity between A and B
12V direct current supply between terminals 1 and 2	Yes
No supply	No



PBIB2059E

# P0447 EVAP CANISTER VENT CONTROL VALVE

< COMPONENT DIAGNOSIS >

[VK56DE]

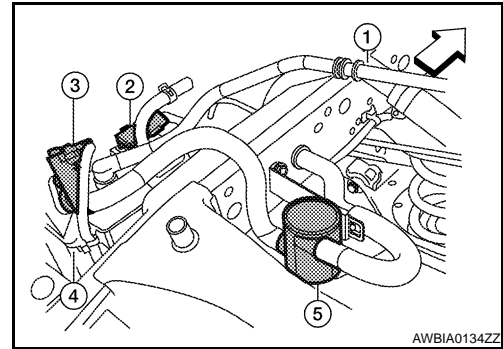
## P0447 EVAP CANISTER VENT CONTROL VALVE

### Component Description

INFOID:000000003936650

The EVAP canister vent control valve (3) is located on the EVAP canister (4) and is used to seal the canister vent.

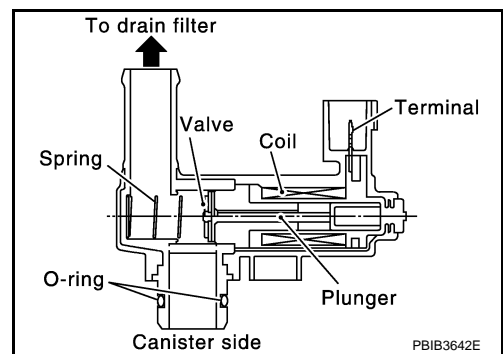
- Fuel filler pipe (top of frame view) (1)
- EVAP control system pressure sensor (2)
- Drain filter (5)
- ⇐: Vehicle front



This solenoid valve responds to signals from the ECM. When the ECM sends an ON signal, the coil in the solenoid valve is energized. A plunger will then move to seal the canister vent. The ability to seal the vent is necessary for the on board diagnosis of other evaporative emission control system components.

This solenoid valve is used only for diagnosis, and usually remains opened.

When the vent is closed, under normal purge conditions, the evaporative emission control system is depressurized and allows "EVAP Control System" diagnosis.



### On Board Diagnosis Logic

INFOID:000000003936651

DTC No.	Trouble diagnosis name	DTC detecting condition	Possible cause
P0447 0447	EVAP canister vent control valve circuit open	An improper voltage signal is sent to ECM through EVAP canister vent control valve.	<ul style="list-style-type: none"> <li>• Harness or connectors (The valve circuit is open or shorted.)</li> <li>• EVAP canister vent control valve</li> <li>• Drain filter</li> </ul>

### DTC Confirmation Procedure

INFOID:000000003936652

#### NOTE:

If DTC Confirmation Procedure has been previously conducted, always perform the following procedure before conducting the next step.

1. Turn ignition switch OFF and wait at least 10 seconds.
2. Turn ignition switch ON.
3. Turn ignition switch OFF and wait at least 10 seconds.

#### TESTING CONDITION:

Before performing the following procedure, confirm battery voltage is more than 11 V at idle.

1. Start engine and wait at least 8 seconds.
2. Check 1st trip DTC.
3. If 1st trip DTC is detected, go to [EC-719. "Diagnosis Procedure"](#).

### Diagnosis Procedure

INFOID:000000003936653

#### 1. INSPECTION START

Will CONSULT-III be used?

Yes or No

- Yes >> GO TO 2.
- No >> GO TO 3.

# P0447 EVAP CANISTER VENT CONTROL VALVE

[VK56DE]

< COMPONENT DIAGNOSIS >

## 2. CHECK EVAP CANISTER VENT CONTROL VALVE CIRCUIT

### With CONSULT-III

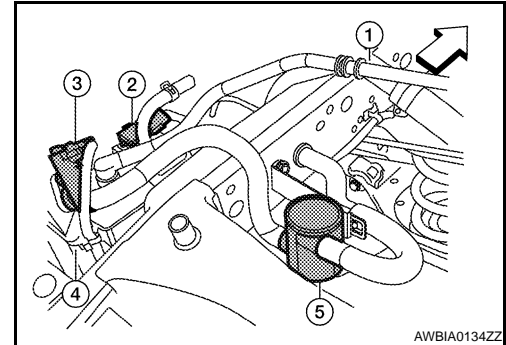
1. Turn ignition switch OFF and then ON.
2. Select "VENT CONTROL/V" in "ACTIVE TEST" mode with CONSULT-III.
3. Touch "ON/OFF" on CONSULT-III screen.
4. Check for operating sound of the valve.  
**Clicking noise should be heard.**

OK or NG

- OK >> GO TO 7.  
NG >> GO TO 3.

## 3. CHECK EVAP CANISTER VENT CONTROL VALVE POWER SUPPLY CIRCUIT

1. Turn ignition switch OFF.
  - Disconnect EVAP canister vent control valve (3) harness connector.
  - Fuel filler pipe (top of frame view) (1)
  - EVAP control system pressure sensor (2)
  - EVAP canister (4)
  - Drain filter (5)
  - ↵: Vehicle front
2. Turn ignition switch ON.

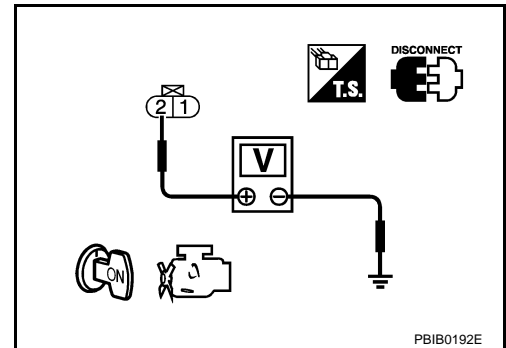


3. Check voltage between EVAP canister vent control valve terminal 2 and ground with CONSULT-III or tester.

**Voltage: Battery voltage**

OK or NG

- OK >> GO TO 5.  
NG >> GO TO 4.



## 4. DETECT MALFUNCTIONING PART

Check the following.

- Harness connectors E41, C1
- IPDM E/R harness connector E119
- Harness for open or short between EVAP canister vent control valve and IPDM E/R

>> Repair harness or connectors.

## 5. CHECK EVAP CANISTER VENT CONTROL VALVE OUTPUT SIGNAL CIRCUIT FOR OPEN AND SHORT

1. Turn ignition switch OFF.
2. Disconnect ECM harness connector.
3. Check harness continuity between ECM terminal 117 and EVAP canister vent control valve terminal 1. Refer to Wiring Diagram.

**Continuity should exist.**

4. Also check harness for short to ground and short to power.

OK or NG

- OK >> GO TO 7.  
NG >> GO TO 6.

# P0447 EVAP CANISTER VENT CONTROL VALVE

< COMPONENT DIAGNOSIS >

[VK56DE]

## 6. DETECT MALFUNCTIONING PART

Check the following.

- Harness connectors E41, C1
- Harness for open or short between EVAP canister vent control valve and ECM

>> Repair open circuit or short to ground or short to power in harness or connectors.

## 7. CHECK RUBBER TUBE FOR CLOGGING

1. Disconnect rubber tube connected to EVAP canister vent control valve.
2. Check the rubber tube for clogging.

OK or NG

- OK >> GO TO 8.
- NG >> Clean the rubber tube using an air blower.

## 8. CHECK DRAIN FILTER

Refer to [EC-721, "Component Inspection"](#).

OK or NG

- OK >> GO TO 9.
- NG >> Replace drain filter.

## 9. CHECK EVAP CANISTER VENT CONTROL VALVE

Refer to [EC-721, "Component Inspection"](#).

OK or NG

- OK >> GO TO 10.
- NG >> Replace EVAP canister vent control valve.

## 10. CHECK INTERMITTENT INCIDENT

Refer to [GI-49, "Intermittent Incident"](#).

>> **INSPECTION END**

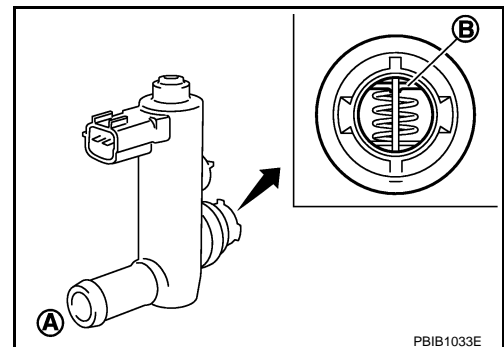
## Component Inspection

INFOID:000000003936654

### EVAP CANISTER VENT CONTROL VALVE

Ⓟ With CONSULT-III

1. Remove EVAP canister vent control valve from EVAP canister.
2. Check portion B of EVAP canister vent control valve for being rusted.  
If NG, replace EVAP canister vent control valve.  
If OK, go to next step.
3. Reconnect harness connectors disconnected.
4. Turn ignition switch ON.
5. Perform "VENT CONTROL/V" in "ACTIVE TEST" mode.
6. Check air passage continuity and operation delay time.  
**Check that new O-ring is installed properly.**



VENT CONTROL/V Condition	Air passage continuity between A and B
ON	No
OFF	Yes

**Operation takes less than 1 second.**

If NG, go to next step.

7. Clean the air passage (portion A to B) of EVAP canister vent control valve using an air blower.
8. Perform step 6 again.

# P0447 EVAP CANISTER VENT CONTROL VALVE

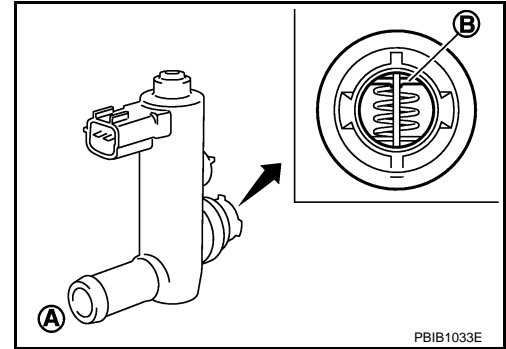
[VK56DE]

## < COMPONENT DIAGNOSIS >

9. If NG, replace EVAP canister vent control valve.

⊗ Without CONSULT-III

1. Remove EVAP canister vent control valve from EVAP canister.
2. Check portion B of EVAP canister vent control valve for rust.



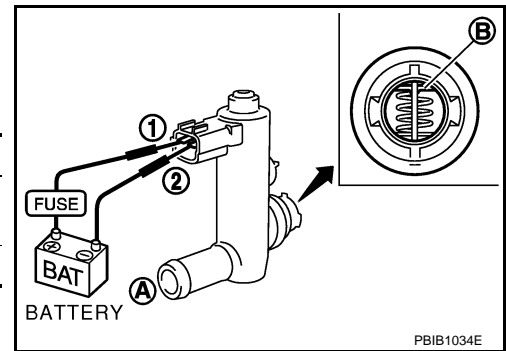
3. Check air passage continuity and operation delay time under the following conditions.  
**Check that new O-ring is installed properly.**

Condition	Air passage continuity between A and B
12V direct current supply between terminals 1 and 2	No
OFF	Yes

**Operation takes less than 1 second.**

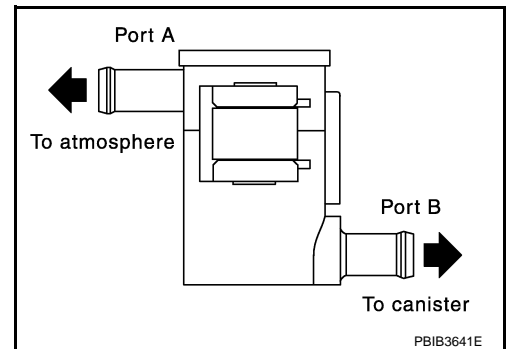
If NG, go to next step.

4. Clean the air passage (portion A to B) of EVAP canister vent control valve using an air blower.
5. Perform step 3 again.
6. If NG, replace EVAP canister vent control valve.



## DRAIN FILTER

1. Check visually for insect nests in the drain filter air inlet.
2. Check visually for cracks or flaws in the appearance.
3. Check visually for cracks or flaws in the hose.
4. Blow air into port A and check that it flows freely out of port B.
5. Block port B.
6. Blow air into port A and check that there is no leakage.
7. If NG, replace drain filter.



# P0448 EVAP CANISTER VENT CONTROL VALVE

< COMPONENT DIAGNOSIS >

[VK56DE]

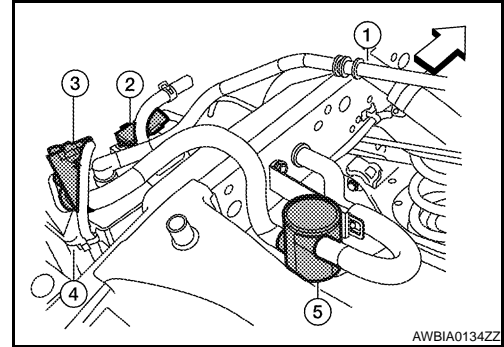
## P0448 EVAP CANISTER VENT CONTROL VALVE

### Component Description

INFOID:000000004333364

The EVAP canister vent control valve (3) is located on the EVAP canister (4) and is used to seal the canister vent.

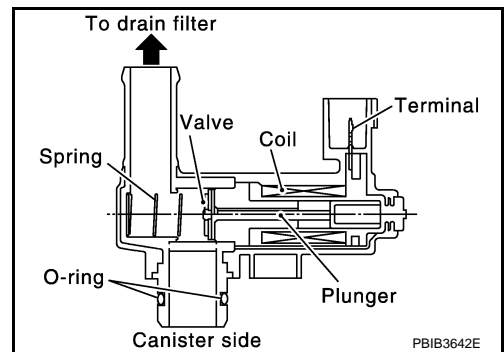
- Fuel filler pipe (top of frame view) (1)
- EVAP control system pressure sensor (2)
- Drain filter (5)
- ⇐: Vehicle front



This solenoid valve responds to signals from the ECM. When the ECM sends an ON signal, the coil in the solenoid valve is energized. A plunger will then move to seal the canister vent. The ability to seal the vent is necessary for the on board diagnosis of other evaporative emission control system components.

This solenoid valve is used only for diagnosis, and usually remains opened.

When the vent is closed, under normal purge conditions, the evaporative emission control system is depressurized and allows "EVAP Control System" diagnosis.



### On Board Diagnosis Logic

INFOID:0000000003936656

DTC No.	Trouble diagnosis name	DTC detecting condition	Possible cause
P0448 0448	EVAP canister vent control valve close	EVAP canister vent control valve remains closed under specified driving conditions.	<ul style="list-style-type: none"> <li>• EVAP canister vent control valve</li> <li>• EVAP control system pressure sensor and the circuit</li> <li>• Blocked rubber tube to EVAP canister vent control valve</li> <li>• Drain filter</li> <li>• EVAP canister is saturated with water</li> </ul>

### DTC Confirmation Procedure

INFOID:0000000003936657

1. If DTC Confirmation Procedure has been previously conducted, always perform the following procedure before conducting the next step.
  - a. Turn ignition switch OFF and wait at least 10 seconds.
  - b. Turn ignition switch ON.
  - c. Turn ignition switch OFF and wait at least 10 seconds.
2. Turn ignition switch ON and wait at least 5 seconds.
3. Turn ignition switch OFF and wait at least 10 seconds.
4. Start engine and let it idle for at least 1 minute.
5. Repeat next procedures 3 times.
  - a. Rev engine between 3,000 and 3,500 rpm, then maintain that speed for 2 minutes and 50 seconds to 3 minutes.  
**Do not exceed 3 minutes.**
  - b. Fully released accelerator pedal and keep engine idle for approximately 5 seconds.
6. Check 1st trip DTC.
7. If 1st trip DTC is detected, go to [EC-724. "Diagnosis Procedure"](#).

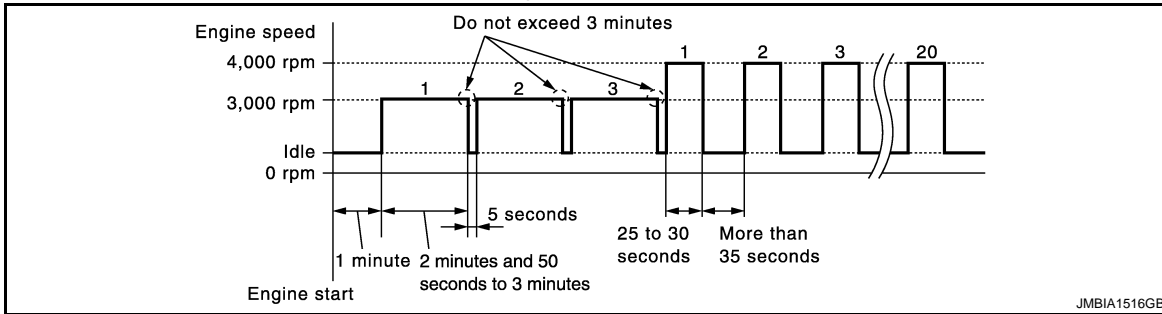
# P0448 EVAP CANISTER VENT CONTROL VALVE

[VK56DE]

## < COMPONENT DIAGNOSIS >

If 1st trip DTC is not detected, go to the next step.

8. Repeat next procedure 20 times.
  - a. Quickly rev engine between 4,000 and 4,500 rpm or more, then maintain that speed for 25 to 30 seconds.
  - b. Fully released accelerator pedal and keep engine idle for at least 35 seconds.



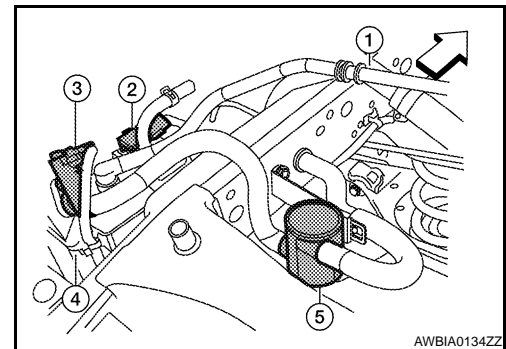
9. Check 1st trip DTC.
10. If 1st trip DTC is detected, go to [EC-724, "Diagnosis Procedure"](#).

## Diagnosis Procedure

INFOID:000000003936658

### 1. CHECK RUBBER TUBE

1. Turn ignition switch OFF.
2. Disconnect rubber tube connected to EVAP canister vent control valve (3).
  - Fuel filler pipe (top of frame view) (1)
  - EVAP control system pressure sensor (2)
  - EVAP canister (4)
  - Drain filter (5)
  - ←: Vehicle front
3. Check the rubber tube for clogging.



#### OK or NG

- OK >> GO TO 2.
- NG >> Clean rubber tube using an air blower.

### 2. CHECK DRAIN FILTER

Refer to [EC-725, "Component Inspection"](#).

#### OK or NG

- OK >> GO TO 3.
- NG >> Replace drain filter.

### 3. CHECK EVAP CANISTER VENT CONTROL VALVE

Refer to [EC-725, "Component Inspection"](#).

#### OK or NG

- OK >> GO TO 4.
- NG >> Replace EVAP canister vent control valve.

### 4. CHECK IF EVAP CANISTER IS SATURATED WITH WATER

1. Remove EVAP canister with EVAP canister vent control valve and EVAP control system pressure sensor attached.



# P0448 EVAP CANISTER VENT CONTROL VALVE

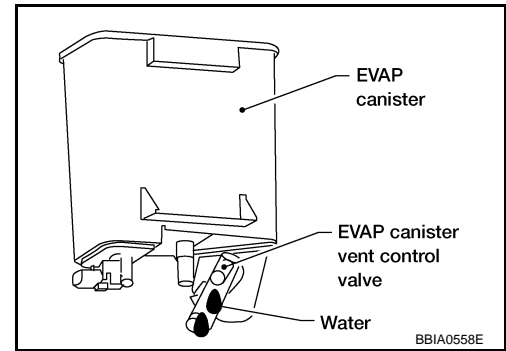
[VK56DE]

## < COMPONENT DIAGNOSIS >

2. Check if water will drain from the EVAP canister.

### Yes or No

- Yes >> GO TO 5.
- No >> GO TO 7.



## 5. CHECK EVAP CANISTER

Weigh the EVAP canister with the EVAP canister vent control valve and EVAP control system pressure sensor attached.

**The weight should be less than 2.0 kg (4.4 lb).**

### OK or NG

- OK >> GO TO 7.
- NG >> GO TO 6.

## 6. DETECT MALFUNCTIONING PART

Check the following.

- EVAP canister for damage
- EVAP hose between EVAP canister and drain filter for clogging or poor connection

>> Repair hose or replace EVAP canister.

## 7. CHECK EVAP CONTROL SYSTEM PRESSURE SENSOR CONNECTOR

1. Disconnect EVAP control system pressure sensor harness connector.
2. Check connectors for water.

**Water should not exist.**

### OK or NG

- OK >> GO TO 8.
- NG >> Replace EVAP control system pressure sensor.

## 8. CHECK EVAP CONTROL SYSTEM PRESSURE SENSOR

Refer to [EC-730, "Component Inspection"](#).

### OK or NG

- OK >> GO TO 9.
- NG >> Replace EVAP control system pressure sensor.

## 9. CHECK INTERMITTENT INCIDENT

Refer to [GI-49, "Intermittent Incident"](#).

>> **INSPECTION END**

## Component Inspection

INFOID:000000004333365

## EVAP CANISTER VENT CONTROL VALVE

Ⓟ With CONSULT-III

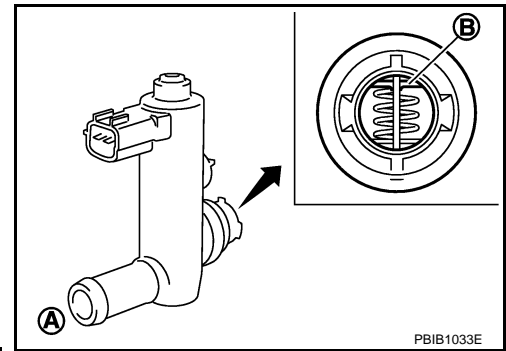
1. Remove EVAP canister vent control valve from EVAP canister.

# P0448 EVAP CANISTER VENT CONTROL VALVE

[VK56DE]

## < COMPONENT DIAGNOSIS >

2. Check portion B of EVAP canister vent control valve for being rusted.  
If NG, replace EVAP canister vent control valve.  
If OK, go to next step.
3. Reconnect harness connectors disconnected.
4. Turn ignition switch ON.
5. Perform "VENT CONTROL/V" in "ACTIVE TEST" mode.
6. Check air passage continuity and operation delay time.  
**Check that new O-ring is installed properly.**



VENT CONTROL/V Condition	Air passage continuity between A and B
ON	No
OFF	Yes

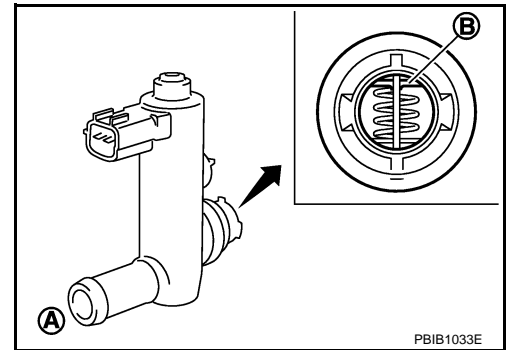
**Operation takes less than 1 second.**

If NG, go to next step.

7. Clean the air passage (portion A to B) of EVAP canister vent control valve using an air blower.
8. Perform step 6 again.
9. If NG, replace EVAP canister vent control valve.

⊗ Without CONSULT-III

1. Remove EVAP canister vent control valve from EVAP canister.
2. Check portion B of EVAP canister vent control valve for rust.



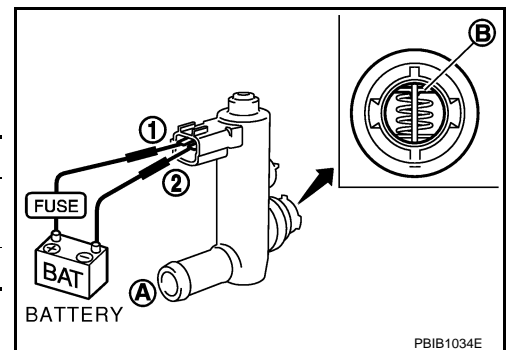
3. Check air passage continuity and operation delay time under the following conditions.  
**Check that new O-ring is installed properly.**

Condition	Air passage continuity between A and B
12V direct current supply between terminals 1 and 2	No
OFF	Yes

**Operation takes less than 1 second.**

If NG, go to next step.

4. Clean the air passage (portion A to B) of EVAP canister vent control valve using an air blower.
5. Perform step 3 again.
6. If NG, replace EVAP canister vent control valve.



## DRAIN FILTER

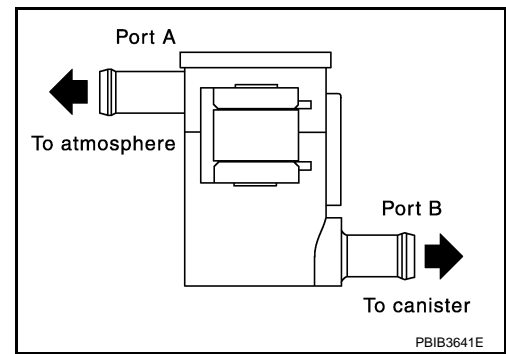
1. Check visually for insect nests in the drain filter air inlet.
2. Check visually for cracks or flaws in the appearance.
3. Check visually for cracks or flaws in the hose.

## P0448 EVAP CANISTER VENT CONTROL VALVE

[VK56DE]

### < COMPONENT DIAGNOSIS >

4. Blow air into port A and check that it flows freely out of port B.
5. Block port B.
6. Blow air into port A and check that there is no leakage.
7. If NG, replace drain filter.



A

EC

C

D

E

F

G

H

I

J

K

L

M

N

O

P

# P0451 EVAP CONTROL SYSTEM PRESSURE SENSOR

< COMPONENT DIAGNOSIS >

[VK56DE]

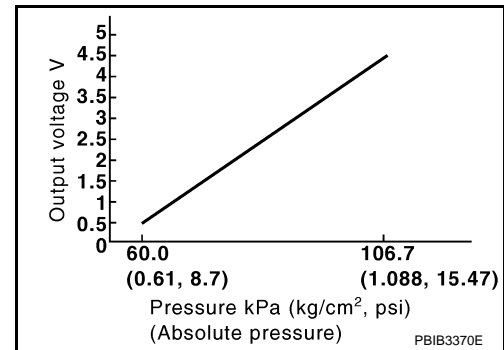
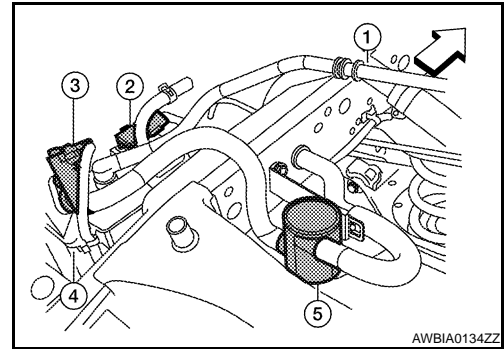
## P0451 EVAP CONTROL SYSTEM PRESSURE SENSOR

### Component Description

INFOID:000000003936660

The EVAP control system pressure sensor (2) detects pressure in the purge line. The sensor output voltage to the ECM increases as pressure increases.

- Fuel filler pipe (top of frame view) (1)
- EVAP canister vent control valve (3)
- EVAP canister (4)
- Drain filter (5)
- ↖: Vehicle front



### On Board Diagnosis Logic

INFOID:000000003936661

#### NOTE:

If DTC P0451 is displayed with DTC P0643, first perform the trouble diagnosis for DTC P0643. Refer to [EC-775, "DTC Confirmation Procedure"](#).

DTC No.	Trouble diagnosis name	DTC detecting condition	Possible cause
P0451 0451	EVAP control system pressure sensor performance	ECM detects a sloshing signal from the EVAP control system pressure sensor	<ul style="list-style-type: none"> <li>• Harness or connectors</li> <li>• EVAP control system pressure sensor</li> </ul>

### DTC Confirmation Procedure

INFOID:000000003936662

#### NOTE:

If DTC Confirmation Procedure has been previously conducted, always perform the following procedure before conducting the next step.

1. Turn ignition switch OFF and wait at least 10 seconds.
2. Turn ignition switch ON.
3. Turn ignition switch OFF and wait at least 10 seconds.

#### TESTING CONDITION:

Perform DTC Confirmation Procedure when the fuel level is between 1/4 and 3/4 full, and vehicle is placed on flat level surface.

1. Start engine and wait at least 100 seconds.

#### NOTE:

**Do not depress accelerator pedal even slightly.**

2. Check 1st trip DTC.
3. If 1st trip DTC is detected, go to [EC-729, "Diagnosis Procedure"](#).  
If 1st trip DTC is not detected, go to the next step.
4. Turn ignition switch OFF and wait at least 10 seconds.
5. Turn ignition switch ON.
6. Turn ignition switch OFF and wait at least 10 seconds.

# P0451 EVAP CONTROL SYSTEM PRESSURE SENSOR

< COMPONENT DIAGNOSIS >

[VK56DE]

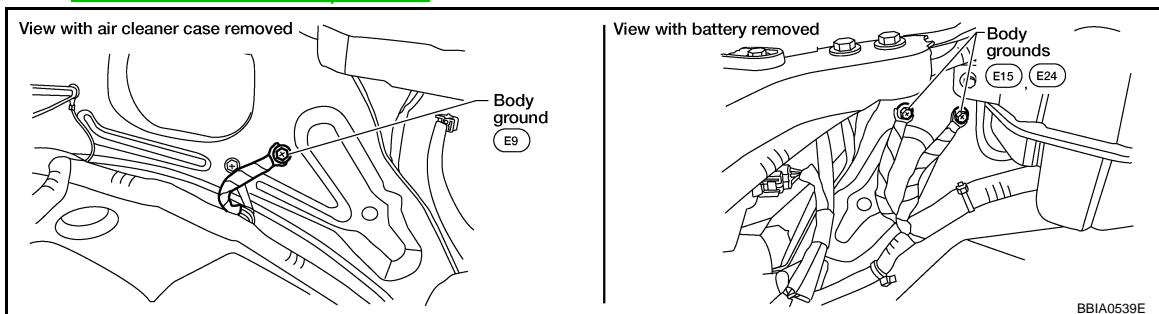
7. Start engine and wait at least 100 seconds.  
**NOTE:**  
**Do not depress accelerator pedal even slightly.**
8. Check 1st trip DTC.
9. If 1st trip DTC is detected, go to [EC-729, "Diagnosis Procedure"](#).  
If 1st trip DTC is not detected, go to the next step.
10. Turn ignition switch OFF and wait at least 10 seconds.
11. Turn ignition switch ON.
12. Turn ignition switch OFF and wait at least 10 seconds.
13. Start engine and wait at least 100 seconds.  
**NOTE:**  
**Do not depress accelerator pedal even slightly.**
14. Check 1st trip DTC.
15. If 1st trip DTC is detected, go to [EC-729, "Diagnosis Procedure"](#).  
If 1st trip DTC is not detected, go to the next step.
16. Turn ignition switch OFF and wait at least 10 seconds.
17. Turn ignition switch ON.
18. Turn ignition switch OFF and wait at least 10 seconds.
19. Start engine and wait at least 100 seconds.  
**NOTE:**  
**Do not depress accelerator pedal even slightly.**
20. Check 1st trip DTC.
21. If 1st trip DTC is detected, go to [EC-729, "Diagnosis Procedure"](#).  
If 1st trip DTC is not detected, go to the next step.
22. Turn ignition switch OFF and wait at least 10 seconds.
23. Turn ignition switch ON.
24. Turn ignition switch OFF and wait at least 10 seconds.
25. Start engine and wait at least 100 seconds.  
**NOTE:**  
**Do not depress accelerator pedal even slightly.**
26. Check 1st trip DTC.
27. If 1st trip DTC is detected, go to [EC-729, "Diagnosis Procedure"](#).

## Diagnosis Procedure

INFOID:000000003936663

### 1. CHECK GROUND CONNECTIONS

1. Turn ignition switch OFF.
2. Loosen and retighten ground screws on the body.  
Refer to [EC-568, "Ground Inspection"](#).



OK or NG

- OK >> GO TO 2.
- NG >> Repair or replace ground connections.

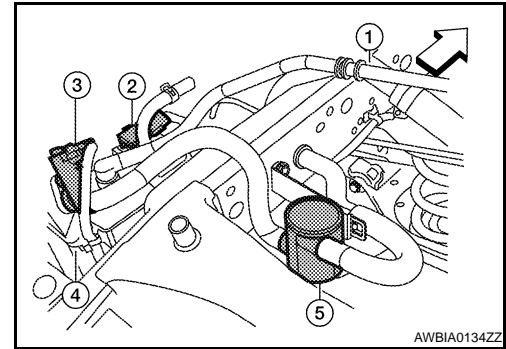
### 2. CHECK EVAP CONTROL SYSTEM PRESSURE SENSOR CONNECTOR FOR WATER

# P0451 EVAP CONTROL SYSTEM PRESSURE SENSOR

[VK56DE]

## < COMPONENT DIAGNOSIS >

1. Disconnect EVAP control system pressure sensor (2) harness connector.
  - Fuel filler pipe (top of frame view) (1)
  - EVAP canister vent control valve (3)
  - EVAP canister (4)
  - Drain filter (5)
  - ↖: Vehicle front
2. Check sensor harness connector for water.



**Water should not exist.**

### OK or NG

- OK >> GO TO 3.
- NG >> Repair or replace harness connector.

## 3. CHECK EVAP CONTROL SYSTEM PRESSURE SENSOR

Refer to [EC-730, "Component Inspection"](#).

### OK or NG

- OK >> GO TO 4.
- NG >> Replace EVAP control system pressure sensor.

## 4. CHECK INTERMITTENT INCIDENT

Refer to [GI-49, "Intermittent Incident"](#).

>> **INSPECTION END**

## Component Inspection

INFOID:000000003936664

### EVAP CONTROL SYSTEM PRESSURE SENSOR

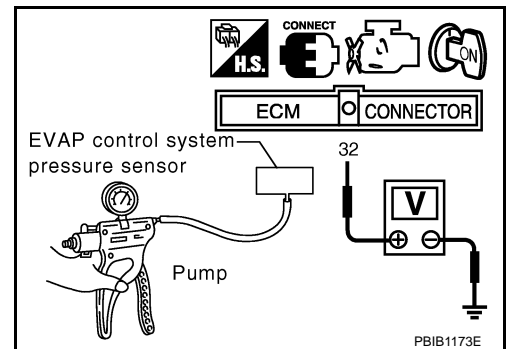
1. Remove EVAP control system pressure sensor with its harness connector.  
**Always replace O-ring with a new one.**
2. Install a vacuum pump to EVAP control system pressure sensor.
3. Turn ignition switch ON and check output voltage between ECM terminal 32 and ground under the following conditions.

Applied vacuum [kPa (kg/cm <sup>2</sup> , psi)]	Voltage
Not applied	1.8 - 4.8 V
-26.7 (-0.272, -3.87)	2.1 to 2.5 V lower than above value

### CAUTION:

- Always calibrate the vacuum pump gauge when using it.
- Never apply below -93.3 kPa (-0.952 kg/cm<sup>2</sup>, -13.53 psi) or pressure over 101.3 kPa (1.033 kg/cm<sup>2</sup>, 14.69 psi).

4. If NG, replace EVAP control system pressure sensor.



PBIB1173E

# P0452 EVAP CONTROL SYSTEM PRESSURE SENSOR

< COMPONENT DIAGNOSIS >

[VK56DE]

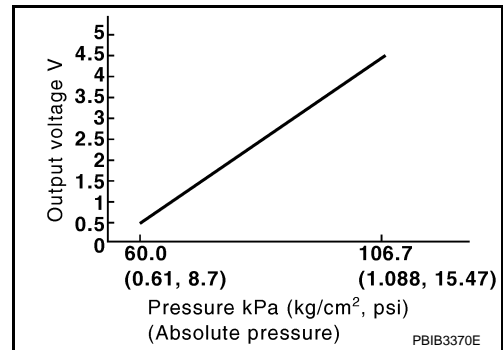
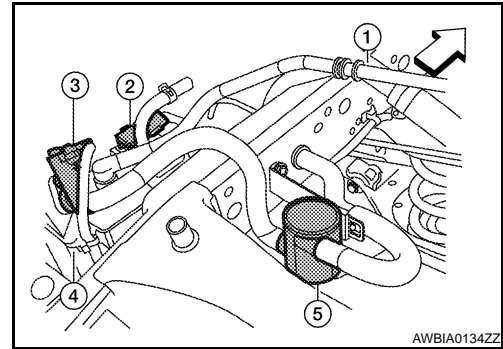
## P0452 EVAP CONTROL SYSTEM PRESSURE SENSOR

### Component Description

INFOID:000000004333366

The EVAP control system pressure sensor (2) detects pressure in the purge line. The sensor output voltage to the ECM increases as pressure increases.

- Fuel filler pipe (top of frame view) (1)
- EVAP canister vent control valve (3)
- EVAP canister (4)
- Drain filter (5)
- ⇐: Vehicle front



### On Board Diagnosis Logic

INFOID:000000003936666

#### NOTE:

If DTC P0452 is displayed with DTC P0643, first perform the trouble diagnosis for DTC P0643. Refer to [EC-770, "DTC Confirmation Procedure"](#).

DTC No.	Trouble diagnosis name	DTC detecting condition	Possible cause
P0452 0452	EVAP control system pressure sensor low input	An excessively low voltage from the sensor is sent to ECM.	<ul style="list-style-type: none"> <li>• Harness or connectors (The sensor circuit is open or shorted.)</li> <li>• EVAP control system pressure sensor</li> </ul>

### DTC Confirmation Procedure

INFOID:000000003936667

#### NOTE:

If DTC Confirmation Procedure has been previously conducted, always perform the following procedure before conducting the next step.

1. Turn ignition switch OFF and wait at least 10 seconds.
2. Turn ignition switch ON.
3. Turn ignition switch OFF and wait at least 10 seconds.

#### TESTING CONDITION:

Always perform test at a temperature of 5°C (41°F) or more.

#### Ⓟ WITH CONSULT-III

1. Start engine and warm it up to normal operating temperature.
2. Turn ignition switch OFF and wait at least 10 seconds.
3. Turn ignition switch ON.
4. Turn ignition switch OFF and wait at least 10 seconds.
5. Turn ignition switch ON.
6. Select "DATA MONITOR" mode with CONSULT-III.
7. Check that "FUEL T/TMP SE" is more than 0°C (32°F).

# P0452 EVAP CONTROL SYSTEM PRESSURE SENSOR

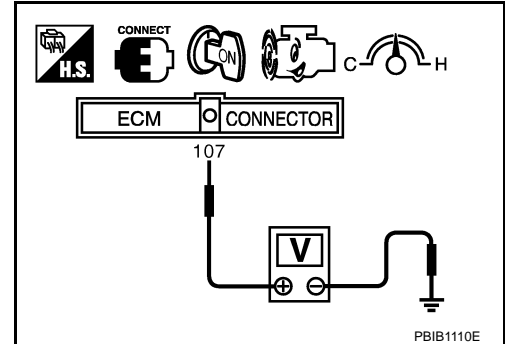
[VK56DE]

## < COMPONENT DIAGNOSIS >

8. Start engine and wait at least 20 seconds.
9. Check 1st trip DTC.
10. If 1st trip DTC is detected, go to [EC-732. "Diagnosis Procedure"](#).

### Ⓢ WITH GST

1. Start engine and warm it up to normal operating temperature.
2. Check that voltage between ECM terminal 107 (Fuel tank temperature sensor signal) and ground is less than 4.2V.
3. Turn ignition switch OFF and wait at least 10 seconds.
4. Turn ignition switch ON.
5. Turn ignition switch OFF and wait at least 10 seconds.
6. Start engine and wait at least 20 seconds.
7. Select Service \$07 with GST.  
If 1st trip DTC is detected, go to [EC-732. "Diagnosis Procedure"](#).

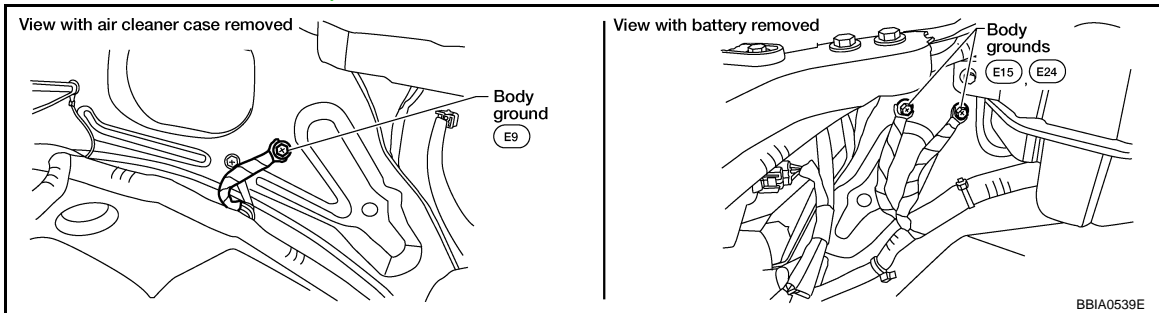


## Diagnosis Procedure

INFOID:000000003936668

### 1. CHECK GROUND CONNECTIONS

1. Turn ignition switch OFF.
2. Loosen and retighten ground screws on the body.  
Refer to [EC-568. "Ground Inspection"](#).

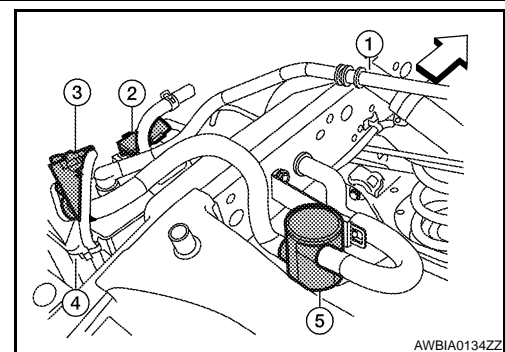


#### OK or NG

- OK >> GO TO 2.
- NG >> Repair or replace ground connections.

### 2. CHECK CONNECTOR

1. Disconnect EVAP control system pressure sensor (2) harness connector.
  - Fuel filler pipe (top of frame view) (1)
  - EVAP canister vent control valve (3)
  - EVAP canister (4)
  - Drain filter (5)
  - ↖: Vehicle front
2. Check sensor harness connector for water.



**Water should not exist.**

#### OK or NG

- OK >> GO TO 3.
- NG >> Repair or replace harness connector.

### 3. CHECK EVAP CONTROL SYSTEM PRESSURE SENSOR POWER SUPPLY CIRCUIT

1. Turn ignition switch ON.



# P0452 EVAP CONTROL SYSTEM PRESSURE SENSOR

[VK56DE]

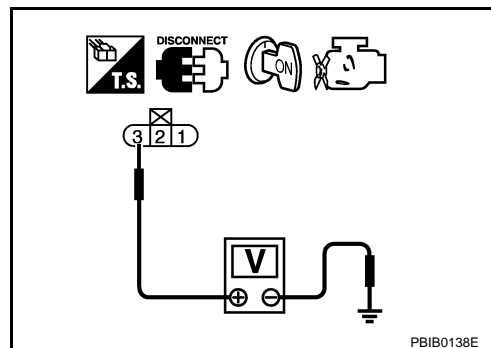
## < COMPONENT DIAGNOSIS >

2. Check voltage between EVAP control system pressure sensor terminal 3 and ground with CONSULT-III or tester.

**Voltage: Approximately 5 V**

### OK or NG

- OK >> GO TO 5.
- NG >> GO TO 4.



## 4. DETECT MALFUNCTIONING PART

Check the following.

- Harness connectors C1, E41
- Harness connectors E5, F14
- Harness for open or short between EVAP control system pressure sensor and ECM

>> Repair open circuit or short to ground or short to power in harness or connectors.

## 5. CHECK EVAP CONTROL SYSTEM PRESSURE SENSOR GROUND CIRCUIT FOR OPEN AND SHORT

1. Turn ignition switch OFF.
2. Disconnect ECM harness connector.
3. Check harness continuity between EVAP control system pressure sensor terminal 1 and ECM terminal 67.  
Refer to Wiring Diagram.

**Continuity should exist.**

4. Also check harness for short to ground and short to power.

### OK or NG

- OK >> GO TO 7.
- NG >> GO TO 6.

## 6. DETECT MALFUNCTIONING PART

Check the following.

- Harness connectors C1, E41
- Harness connectors E5, F14
- Harness for open or short between EVAP control system pressure sensor and ECM

>> Repair open circuit or short to ground or short to power in harness or connectors.

## 7. CHECK EVAP CONTROL SYSTEM PRESSURE SENSOR INPUT SIGNAL CIRCUIT FOR OPEN AND SHORT

1. Check harness continuity between ECM terminal 32 and EVAP control system pressure sensor terminal 2.  
Refer to Wiring Diagram.

**Continuity should exist.**

2. Also check harness for short to ground and short to power.

### OK or NG

- OK >> GO TO 9.
- NG >> GO TO 8.

## 8. DETECT MALFUNCTIONING PART

Check the following.

- Harness connectors C1, E41
- Harness connectors E5, F14

# P0452 EVAP CONTROL SYSTEM PRESSURE SENSOR

[VK56DE]

## < COMPONENT DIAGNOSIS >

- Harness for open or short between EVAP control system pressure sensor and ECM

>> Repair open circuit or short to ground or short to power in harness or connectors.

## 9. CHECK EVAP CONTROL SYSTEM PRESSURE SENSOR

Refer to [EC-734, "Component Inspection"](#).

### OK or NG

OK >> GO TO 10.

NG >> Replace EVAP control system pressure sensor.

## 10. CHECK INTERMITTENT INCIDENT

Refer to [GI-49, "Intermittent Incident"](#).

>> **INSPECTION END**

## Component Inspection

INFOID:00000000433367

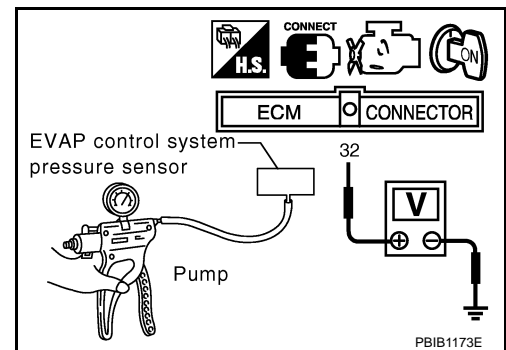
### EVAP CONTROL SYSTEM PRESSURE SENSOR

1. Remove EVAP control system pressure sensor with its harness connector.  
**Always replace O-ring with a new one.**
2. Install a vacuum pump to EVAP control system pressure sensor.
3. Turn ignition switch ON and check output voltage between ECM terminal 32 and ground under the following conditions.

Applied vacuum [kPa (kg/cm <sup>2</sup> , psi)]	Voltage
Not applied	1.8 - 4.8 V
-26.7 (-0.272, -3.87)	2.1 to 2.5 V lower than above value

### CAUTION:

- Always calibrate the vacuum pump gauge when using it.
  - Never apply below -93.3 kPa (-0.952 kg/cm<sup>2</sup>, -13.53 psi) or pressure over 101.3 kPa (1.033 kg/cm<sup>2</sup>, 14.69 psi).
4. If NG, replace EVAP control system pressure sensor.



# P0453 EVAP CONTROL SYSTEM PRESSURE SENSOR

< COMPONENT DIAGNOSIS >

[VK56DE]

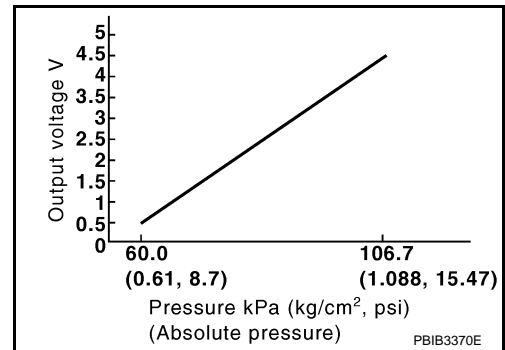
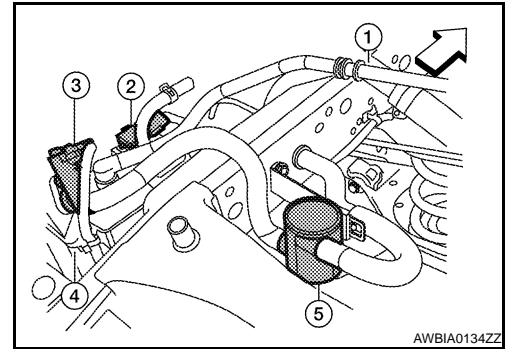
## P0453 EVAP CONTROL SYSTEM PRESSURE SENSOR

### Component Description

INFOID:000000004333368

The EVAP control system pressure sensor (2) detects pressure in the purge line. The sensor output voltage to the ECM increases as pressure increases.

- Fuel filler pipe (top of frame view) (1)
- EVAP canister vent control valve (3)
- EVAP canister (4)
- Drain filter (5)
- ↔: Vehicle front



### On Board Diagnosis Logic

INFOID:000000003936671

#### NOTE:

If DTC P0453 is displayed with DTC P0643, first perform the trouble diagnosis for DTC P0643. Refer to [EC-775, "DTC Confirmation Procedure"](#).

DTC No.	Trouble diagnosis name	DTC detecting condition	Possible cause
P0453 0453	EVAP control system pressure sensor high input	An excessively high voltage from the sensor is sent to ECM.	<ul style="list-style-type: none"> <li>• Harness or connectors (The sensor circuit is open or shorted.)</li> <li>• EVAP control system pressure sensor</li> <li>• EVAP canister vent control valve</li> <li>• EVAP canister</li> <li>• Drain filter</li> <li>• Rubber hose from EVAP canister vent control valve to drain filter</li> </ul>

### DTC Confirmation Procedure

INFOID:000000003936672

#### NOTE:

If DTC Confirmation Procedure has been previously conducted, always perform the following procedure before conducting the next step.

1. Turn ignition switch OFF and wait at least 10 seconds.
2. Turn ignition switch ON.
3. Turn ignition switch OFF and wait at least 10 seconds.

#### TESTING CONDITION:

**Always perform test at a temperature of 5°C (41°F) or more.**

④ With CONSULT-III

1. Start engine and warm it up to normal operating temperature.
2. Turn ignition switch OFF and wait at least 10 seconds.
3. Turn ignition switch ON.

# P0453 EVAP CONTROL SYSTEM PRESSURE SENSOR

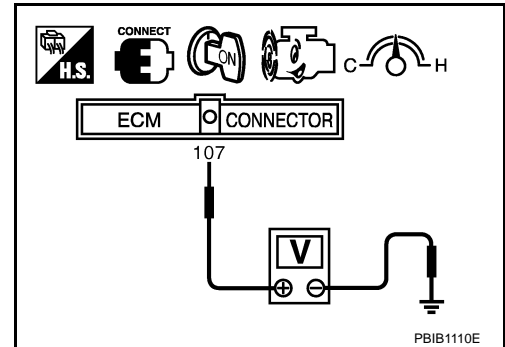
[VK56DE]

## < COMPONENT DIAGNOSIS >

4. Turn ignition switch OFF and wait at least 10 seconds.
5. Turn ignition switch ON.
6. Select "DATA MONITOR" mode with CONSULT-III.
7. Check that "FUEL T/TMP SE" is more than 0°C (32°F).
8. Start engine and wait at least 20 seconds.
9. Check 1st trip DTC.
10. If 1st trip DTC is detected, go to [EC-736. "Diagnosis Procedure"](#).

### With GST

1. Start engine and warm it up to normal operating temperature.
2. Check that voltage between ECM terminal 107 (Fuel tank temperature sensor signal) and ground is less than 4.2V.
3. Turn ignition switch OFF and wait at least 10 seconds.
4. Turn ignition switch ON.
5. Turn ignition switch OFF and wait at least 10 seconds.
6. Start engine and wait at least 20 seconds.
7. Select Service \$07 with GST.  
If 1st trip DTC is detected, go to [EC-736. "Diagnosis Procedure"](#).

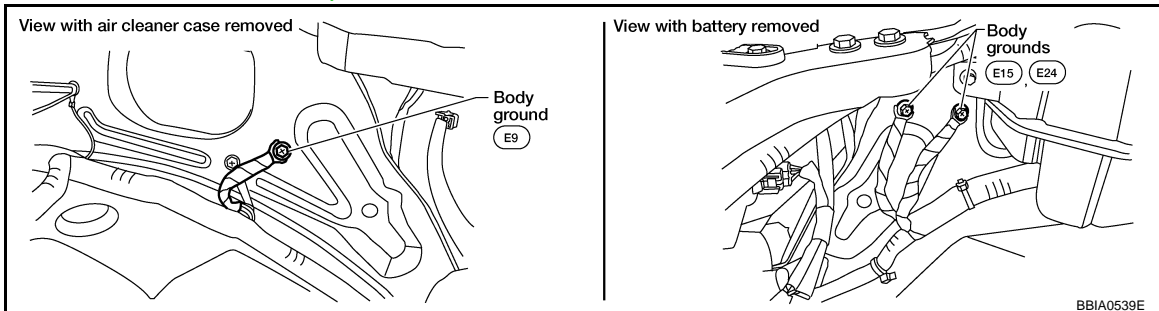


INFOID:000000003936673

## Diagnosis Procedure

### 1. CHECK GROUND CONNECTIONS

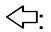
1. Turn ignition switch OFF.
2. Loosen and retighten ground screws on the body.  
Refer to [EC-568. "Ground Inspection"](#).

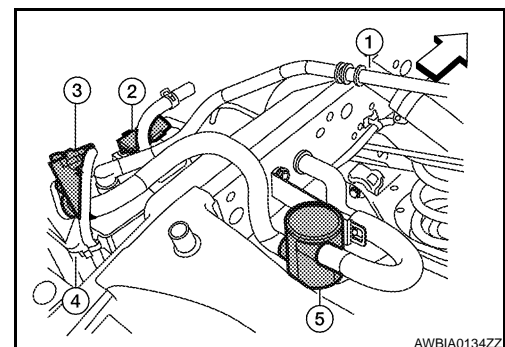


### OK or NG

- OK >> GO TO 2.
- NG >> Repair or replace ground connections.

### 2. CHECK CONNECTOR

1. Disconnect EVAP control system pressure sensor (2) harness connector.
  - Fuel filler pipe (top of frame view) (1)
  - EVAP canister vent control valve (3)
  - EVAP canister (4)
  - Drain filter (5)
  - : Vehicle front
2. Check sensor harness connector for water.



**Water should not exist.**

### OK or NG

- OK >> GO TO 3.
- NG >> Repair or replace harness connector.

# P0453 EVAP CONTROL SYSTEM PRESSURE SENSOR

< COMPONENT DIAGNOSIS >

[VK56DE]

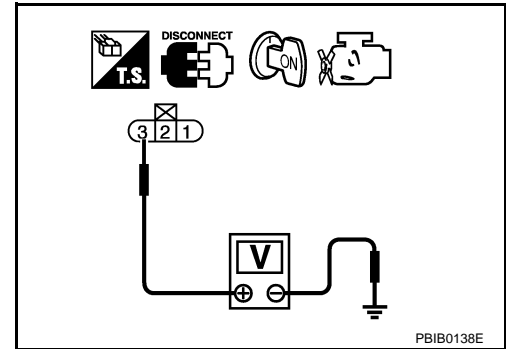
## 3. CHECK EVAP CONTROL SYSTEM PRESSURE SENSOR POWER SUPPLY CIRCUIT

1. Turn ignition switch ON.
2. Check voltage between EVAP control system pressure sensor terminal 3 and ground with CONSULT-III or tester.

**Voltage: Approximately 5 V**

OK or NG

- OK >> GO TO 5.
- NG >> GO TO 4.



## 4. DETECT MALFUNCTIONING PART

Check the following.

- Harness connectors C1, E41
- Harness connectors E5, F14
- Harness for open or short between EVAP control system pressure sensor and ECM

>> Repair open circuit or short to ground or short to power in harness or connectors.

## 5. CHECK EVAP CONTROL SYSTEM PRESSURE SENSOR GROUND CIRCUIT FOR OPEN AND SHORT

1. Turn ignition switch OFF.
2. Disconnect ECM harness connector.
3. Check harness continuity between EVAP control system pressure sensor terminal 1 and ECM terminal 67.  
Refer to Wiring Diagram.

**Continuity should exist.**

4. Also check harness for short to ground and short to power.

OK or NG

- OK >> GO TO 7.
- NG >> GO TO 6.

## 6. DETECT MALFUNCTIONING PART

Check the following.

- Harness connectors C1, E41
- Harness connectors E5, F14
- Harness for open or short between EVAP control system pressure sensor and ECM

>> Repair open circuit or short to ground or short to power in harness or connectors.

## 7. CHECK EVAP CONTROL SYSTEM PRESSURE SENSOR INPUT SIGNAL CIRCUIT FOR OPEN AND SHORT

1. Check harness continuity between ECM terminal 32 and EVAP control system pressure sensor terminal 2.  
Refer to Wiring Diagram.

**Continuity should exist.**

2. Also check harness for short to ground and short to power.

OK or NG

- OK >> GO TO 9.
- NG >> GO TO 8.

## 8. DETECT MALFUNCTIONING PART

# P0453 EVAP CONTROL SYSTEM PRESSURE SENSOR

[VK56DE]

## < COMPONENT DIAGNOSIS >

Check the following.

- Harness connectors C1, E41
- Harness connectors E5, F14
- Harness for open or short between EVAP control system pressure sensor and ECM

>> Repair open circuit or short to ground or short to power in harness or connectors.

### 9. CHECK RUBBER TUBE

1. Disconnect rubber tube connected to EVAP canister vent control valve.
2. Check the rubber tube for clogging, vent or kinked.

#### OK or NG

OK >> GO TO 10.

NG >> Clean the rubber tube using an air blower, repair or replace rubber tube.

### 10. CHECK EVAP CANISTER VENT CONTROL VALVE

Refer to [EC-725. "Component Inspection"](#).

#### OK or NG

OK >> GO TO 11.

NG >> Replace EVAP canister vent control valve.

### 11. CHECK EVAP CONTROL SYSTEM PRESSURE SENSOR

Refer to [EC-739. "Component Inspection"](#).

#### OK or NG

OK >> GO TO 12.

NG >> Replace EVAP control system pressure sensor.

### 12. CHECK DRAIN FILTER

Refer to [EC-725. "Component Inspection"](#).

#### OK or NG

OK >> GO TO 13.

NG >> Replace drain filter.

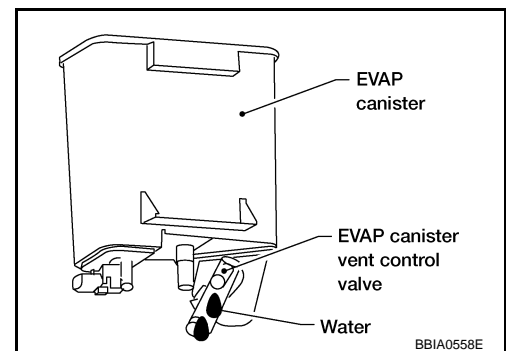
### 13. CHECK IF EVAP CANISTER IS SATURATED WITH WATER

1. Remove EVAP canister with EVAP canister vent control valve and EVAP control system pressure sensor attached.
2. Check if water will drain from the EVAP canister.

#### Yes or No

Yes >> GO TO 14.

No >> GO TO 16.



### 14. CHECK EVAP CANISTER

Weigh the EVAP canister with the EVAP canister vent control valve and EVAP control system pressure sensor attached.

**The weight should be less than 2.0 kg (4.4 lb).**

#### OK or NG

OK >> GO TO 16.

NG >> GO TO 15.

### 15. DETECT MALFUNCTIONING PART

Check the following.

- EVAP canister for damage

# P0453 EVAP CONTROL SYSTEM PRESSURE SENSOR

[VK56DE]

## < COMPONENT DIAGNOSIS >

- EVAP hose between EVAP canister and drain filter for clogging or poor connection

>> Repair hose or replace EVAP canister.

## 16.CHECK INTERMITTENT INCIDENT

Refer to [GI-49. "Intermittent Incident"](#).

>> INSPECTION END

## Component Inspection

INFOID:000000004333369

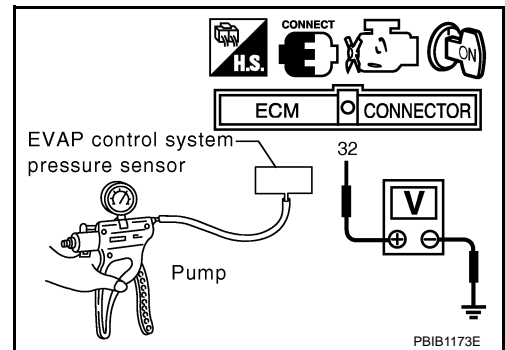
## EVAP CONTROL SYSTEM PRESSURE SENSOR

1. Remove EVAP control system pressure sensor with its harness connector.  
**Always replace O-ring with a new one.**
2. Install a vacuum pump to EVAP control system pressure sensor.
3. Turn ignition switch ON and check output voltage between ECM terminal 32 and ground under the following conditions.

Applied vacuum [kPa (kg/cm <sup>2</sup> , psi)]	Voltage
Not applied	1.8 - 4.8 V
-26.7 (-0.272, -3.87)	2.1 to 2.5 V lower than above value

### CAUTION:

- Always calibrate the vacuum pump gauge when using it.
  - Never apply below -93.3 kPa (-0.952 kg/cm<sup>2</sup>, -13.53 psi) or pressure over 101.3 kPa (1.033 kg/cm<sup>2</sup>, 14.69 psi).
4. If NG, replace EVAP control system pressure sensor.



# P0455 EVAP CONTROL SYSTEM

< COMPONENT DIAGNOSIS >

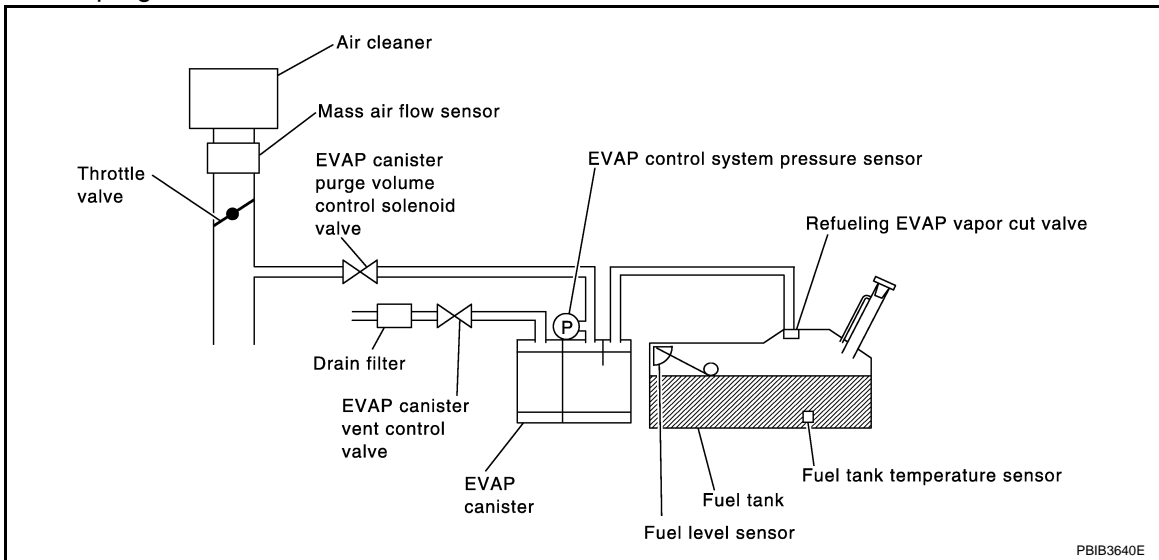
[VK56DE]

## P0455 EVAP CONTROL SYSTEM

### On Board Diagnosis Logic

INFOID:000000003936675

This diagnosis detects a very large leak (fuel filler cap fell off etc.) in EVAP system between the fuel tank and EVAP canister purge volume control solenoid valve.



DTC No.	Trouble diagnosis name	DTC detecting condition	Possible cause
P0455 0455	EVAP control system gross leak detected	EVAP control system has a very large leak such as fuel filler cap fell off, EVAP control system does not operate properly.	<ul style="list-style-type: none"> <li>Fuel filler cap remains open or does not close</li> <li>Incorrect fuel tank vacuum relief valve</li> <li>Incorrect fuel filler cap used</li> <li>Foreign matter caught in fuel filler cap</li> <li>Leak is in line between intake manifold and EVAP canister purge volume control solenoid valve</li> <li>Foreign matter caught in EVAP canister vent control valve</li> <li>EVAP canister or fuel tank leaks</li> <li>EVAP purge line (pipe and rubber tube) leaks</li> <li>EVAP purge line rubber tube bent.</li> <li>Loose or disconnected rubber tube</li> <li>EVAP canister vent control valve and the circuit</li> <li>Drain filter</li> <li>EVAP canister purge volume control solenoid valve and the circuit</li> <li>Fuel tank temperature sensor</li> <li>O-ring of EVAP canister vent control valve is missing or damaged.</li> <li>EVAP control system pressure sensor</li> <li>Refueling EVAP vapor cut valve</li> <li>ORVR system leaks</li> </ul>

#### CAUTION:

- Use only a genuine NISSAN fuel filler cap as a replacement. If an incorrect fuel filler cap is used, the MIL may illuminate.
- If the fuel filler cap is not tightened properly, the MIL may illuminate.
- Use only a genuine NISSAN rubber tube as a replacement.

#### DTC Confirmation Procedure

INFOID:000000003936676

#### CAUTION:

Never remove fuel filler cap during the DTC Confirmation Procedure.

#### NOTE:

- Check that EVAP hoses are connected to EVAP canister purge volume control solenoid valve properly.



# P0455 EVAP CONTROL SYSTEM

[VK56DE]

## < COMPONENT DIAGNOSIS >

- If DTC Confirmation Procedure has been previously conducted, always perform the following before conducting the next step.
- 1. Turn ignition switch OFF and wait at least 10 seconds.
- 2. Turn ignition switch ON.
- 3. Turn ignition switch OFF and wait at least 10 seconds.

### TESTING CONDITION:

- Perform “DTC WORK SUPPORT” when the fuel level is between 1/4 and 3/4 full, and vehicle is placed on flat level surface.
- Open engine hood before conducting the following procedures.

### Ⓜ WITH CONSULT-III

1. Tighten fuel filler cap securely until ratcheting sound is heard.
2. Turn ignition switch ON.
3. Turn ignition switch OFF and wait at least 10 seconds.
4. Turn ignition switch ON and select “DATA MONITOR” mode with CONSULT-III.
5. Check that the following conditions are met.  
**COOLAN TEMP/S: 0 - 70°C (32 - 158°F)**  
**INT/A TEMP SE: 0 - 60°C (32 - 140°F)**
6. Select “EVP SML LEAK P0442/P1442” of “EVAPORATIVE SYSTEM” in “DTC WORK SUPPORT” mode with CONSULT-III.  
Follow the instructions displayed.  
**NOTE:**  
If the engine speed cannot be maintained within the range displayed on the CONSULT-III screen, go to [EC-495, "Basic Inspection"](#).
7. Check that “OK” is displayed.  
If “NG” is displayed, select “SELF-DIAG RESULTS” mode and check that P0455 is displayed. If it is displayed, go to [EC-741, "Diagnosis Procedure"](#).  
If P0442 is displayed, perform Diagnostic Procedure for DTC P0442, [EC-705, "Diagnosis Procedure"](#).

### Ⓜ WITH GST

#### NOTE:

Be sure to read the explanation on “Driving Pattern” in [EC-525, "Emission-related Diagnostic Information"](#) before driving vehicle.

1. Start engine.
2. Drive vehicle according to “Driving Pattern” in [EC-525, "Emission-related Diagnostic Information"](#).
3. Stop vehicle.
4. Turn ignition switch OFF, wait at least 10 seconds and then turn ON.
5. Select Service \$07 with GST.
  - If P0441 is displayed, go to [EC-700, "Diagnosis Procedure"](#).
  - If P0442 is displayed, go to [EC-705, "Diagnosis Procedure"](#).
  - If P0455 is displayed, go to [EC-741, "Diagnosis Procedure"](#).

## Diagnosis Procedure

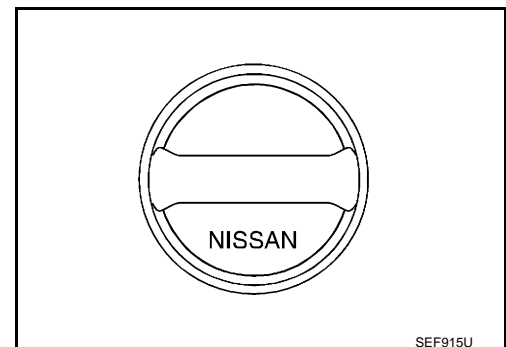
INFOID:000000003936677

### 1. CHECK FUEL FILLER CAP DESIGN

1. Turn ignition switch OFF.
2. Check for genuine NISSAN fuel filler cap design.

#### OK or NG

- OK >> GO TO 2.
- NG >> Replace with genuine NISSAN fuel filler cap.



## P0455 EVAP CONTROL SYSTEM

< COMPONENT DIAGNOSIS >

[VK56DE]

---

### 2. CHECK FUEL FILLER CAP INSTALLATION

---

Check that the fuel filler cap is tightened properly by rotating the cap clockwise.

OK or NG

OK >> GO TO 3.

NG >> 1. Open fuel filler cap, then clean cap and fuel filler neck threads using air blower.  
2. Retighten until ratcheting sound is heard.

---

### 3. CHECK FUEL FILLER CAP FUNCTION

---

Check for air releasing sound while opening the fuel filler cap.

OK or NG

OK >> GO TO 5.

NG >> GO TO 4.

---

### 4. CHECK FUEL TANK VACUUM RELIEF VALVE

---

Refer to [EC-746, "Component Inspection"](#).

OK or NG

OK >> GO TO 5.

NG >> Replace fuel filler cap with a genuine one.

---

### 5. CHECK EVAP PURGE LINE

---

Check EVAP purge line (pipe, rubber tube, fuel tank and EVAP canister) for cracks, improper connection or disconnection.

Refer to [EC-520, "Description"](#).

OK or NG

OK >> GO TO 6.

NG >> Repair or reconnect the hose.

---

### 6. CLEAN EVAP PURGE LINE

---

Clean EVAP purge line (pipe and rubber tube) using air blower.

>> GO TO 7.

---

### 7. CHECK DRAIN FILTER

---

Refer to [EC-746, "Component Inspection"](#).

OK or NG

OK >> GO TO 8.

NG >> Replace drain filter.

---

### 8. CHECK EVAP CANISTER VENT CONTROL VALVE

---

Check the following.

- EVAP canister vent control valve is installed properly.  
Refer to [EC-955, "Removal and Installation"](#).
- EVAP canister vent control valve.  
Refer to [EC-725, "Component Inspection"](#).

OK or NG

OK >> GO TO 9.

NG >> Repair or replace EVAP canister vent control valve and O-ring.

---

### 9. INSTALL THE PRESSURE PUMP

---

# P0455 EVAP CONTROL SYSTEM

[VK56DE]

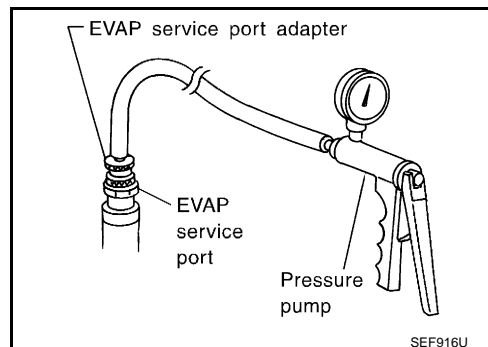
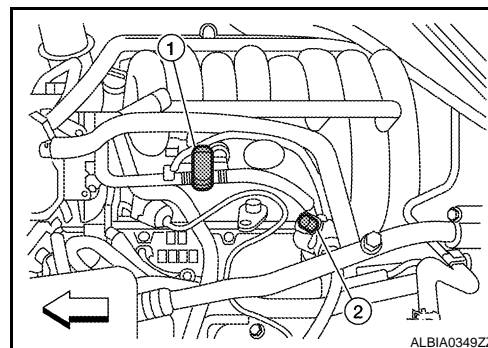
## < COMPONENT DIAGNOSIS >

To locate the EVAP leak, install EVAP service port adapter (commercial service tool) and pressure pump to EVAP service port securely.

### NOTE:

**Improper installation of the EVAP service port adapter (commercial service tool) to the EVAP service port may cause leaking.**

- EVAP canister purge volume control solenoid valve (1)
- EVAP service port (2)
- ⇐: Vehicle front



With CONSULT-III>>GO TO 10.  
Without CONSULT-III>>GO TO 11.

## 10.CHECK FOR EVAP LEAK

### With CONSULT-III

1. Turn ignition switch ON.
2. Select "EVAP SYSTEM CLOSE" of "WORK SUPPORT" mode with CONSULT-III.
3. Touch "START" and apply pressure into the EVAP line until the pressure indicator reaches the middle of the bar graph.

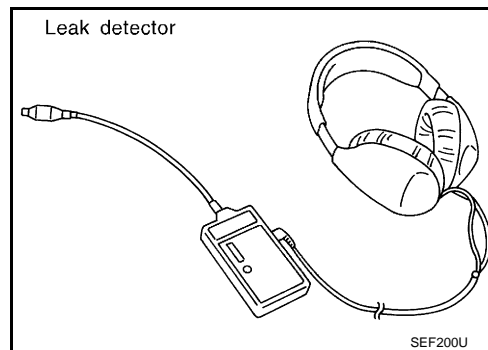
### CAUTION:

- **Never use compressed air or a high pressure pump.**
- **Never exceed 4.12 kPa (0.042 kg/cm<sup>2</sup>, 0.6 psi) of pressure in the system.**

4. Using EVAP leak detector (commercial service tool), locate the EVAP leak. For the leak detector (commercial service tool), refer to the instruction manual for more details.

### OK or NG

- OK >> GO TO 12.
- NG >> Repair or replace.



## 11.CHECK FOR EVAP LEAK

### Without CONSULT-III

1. Turn ignition switch OFF.

## P0455 EVAP CONTROL SYSTEM

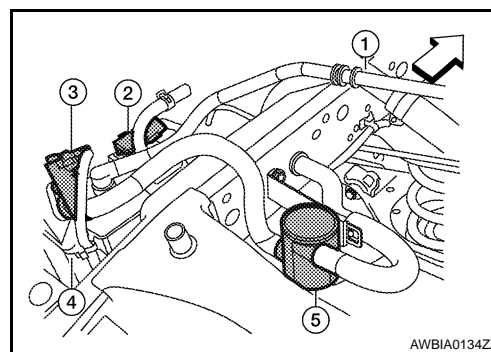
[VK56DE]

### < COMPONENT DIAGNOSIS >

- Apply 12 volts DC to EVAP canister vent control valve (3). The valve will close. (Continue to apply 12 volts until the end of test.)
- Pressurize the EVAP line using pressure pump with 1.38 to 2.76 kPa (0.014 to 0.028 kg/cm<sup>2</sup>, 0.2 to 0.4 psi), then remove pump and EVAP service port adapter (commercial service tool).

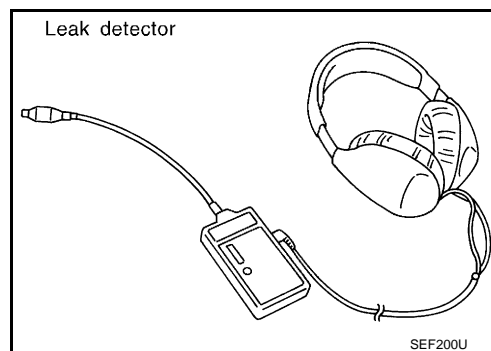
**CAUTION:**

- **Never use compressed air or a high pressure pump.**
  - **Never exceed 4.12 kPa (0.042 kg/cm<sup>2</sup>, 0.6 psi) of pressure in the system.**
- Fuel filler pipe (top of frame view) (1)
  - EVAP control system pressure sensor (2)
  - EVAP canister (4)
  - Drain filter (5)
- ↔: Vehicle front
- Using EVAP leak detector (commercial service tool), locate the EVAP leak. For the leak detector (commercial service tool), refer to the instruction manual for more details.



### OK or NG

- OK >> GO TO 13.  
NG >> Repair or replace malfunctioning part.



## 12. CHECK EVAP CANISTER PURGE VOLUME CONTROL SOLENOID VALVE OPERATION

### With CONSULT-III

- Disconnect vacuum hose connected to EVAP canister purge volume control solenoid valve and EVAP service port from EVAP service port.
- Start engine.
- Perform "PURG VOL CONT/V" in "ACTIVE TEST" mode.
- Touch "Qu" on CONSULT-III screen to increase "PURG VOL C/V" opening to 100%.
- Check vacuum hose for vacuum when revving engine up to 2,000 rpm.

**Vacuum should exist.**

### OK or NG

- OK >> GO TO 15.  
NG >> GO TO 14.

## 13. CHECK EVAP CANISTER PURGE VOLUME CONTROL SOLENOID VALVE OPERATION

### Without CONSULT-III

- Start engine and warm it up to normal operating temperature.
- Stop engine.
- Disconnect vacuum hose connected to EVAP canister purge volume control solenoid valve and EVAP service port from EVAP service port.
- Start engine and let it idle for at least 80 seconds.
- Check vacuum hose for vacuum when revving engine up to 2,000 rpm.

**Vacuum should exist.**

### OK or NG

- OK >> GO TO 16.  
NG >> GO TO 14.

## 14. CHECK VACUUM HOSE

Check vacuum hoses for clogging or disconnection. Refer to [EC-520. "Description"](#).

### OK or NG

- OK (With CONSULT-III) >> GO TO 15.

# P0455 EVAP CONTROL SYSTEM

< COMPONENT DIAGNOSIS >

[VK56DE]

OK (Without CONSULT-III)>>GO TO 16.

NG >> Repair or reconnect the hose.

## 15.CHECK EVAP CANISTER PURGE VOLUME CONTROL SOLENOID VALVE

### With CONSULT-III

1. Start engine.

2. Perform "PURG VOL CONT/V" in "ACTIVE TEST" mode with CONSULT-III. Check that engine speed varies according to the valve opening.

OK or NG

OK >> GO TO 17.

NG >> GO TO 16.

## 16.CHECK EVAP CANISTER PURGE VOLUME CONTROL SOLENOID VALVE

Refer to [EC-718. "Component Inspection"](#).

OK or NG

OK >> GO TO 17.

NG >> Replace EVAP canister purge volume control solenoid valve.

## 17.CHECK FUEL TANK TEMPERATURE SENSOR

Refer to [EC-672. "Component Inspection"](#).

OK or NG

OK >> GO TO 18.

NG >> Replace "fuel level sensor unit and fuel pump".

## 18.CHECK EVAP CONTROL SYSTEM PRESSURE SENSOR

Refer to [EC-730. "Component Inspection"](#).

OK or NG

OK >> GO TO 19.

NG >> Replace EVAP control system pressure sensor.

## 19.CHECK EVAP/ORVR LINE

Check EVAP/ORVR line between EVAP canister and fuel tank for clogging, kinks, looseness and improper connection. For location, refer to [EC-877. "System Description"](#).

OK or NG

OK >> GO TO 20.

NG >> Repair or replace hoses and tubes.

## 20.CHECK RECIRCULATION LINE

Check recirculation line between filler neck tube and fuel tank for clogging, kinks, cracks, looseness and improper connection.

OK or NG

OK >> GO TO 21.

NG >> Repair or replace hose, tube or filler neck tube.

## 21.CHECK REFUELING EVAP VAPOR CUT VALVE

Refer to [EC-880. "Component Inspection"](#).

OK or NG

OK >> GO TO 22.

NG >> Replace refueling EVAP vapor cut valve with fuel tank.

## 22.CHECK INTERMITTENT INCIDENT

Refer to [GI-49. "Intermittent Incident"](#).

>> INSPECTION END

# P0455 EVAP CONTROL SYSTEM

< COMPONENT DIAGNOSIS >

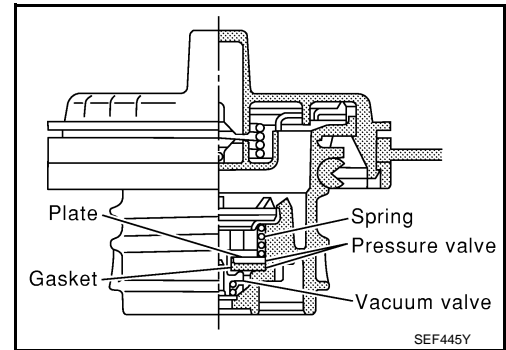
[VK56DE]

INFOID:000000004333370

## Component Inspection

### FUEL TANK VACUUM RELIEF VALVE (BUILT INTO FUEL FILLER CAP)

1. Wipe clean valve housing.



2. Check valve opening pressure and vacuum.

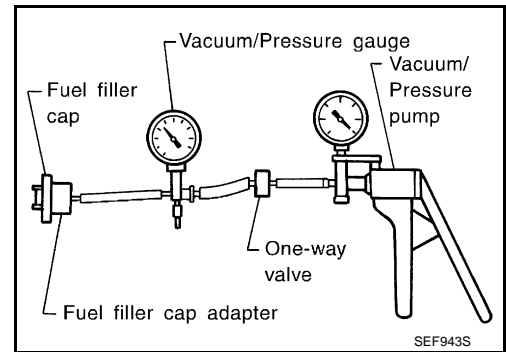
**Pressure:** 15.3 - 20.0 kPa (0.156 - 0.204 kg/cm<sup>2</sup>, 2.22 - 2.90 psi)

**Vacuum:** -6.0 to -3.3 kPa (-0.061 to -0.034 kg/cm<sup>2</sup>, -0.87 to -0.48 psi)

3. If out of specification, replace fuel filler cap as an assembly.

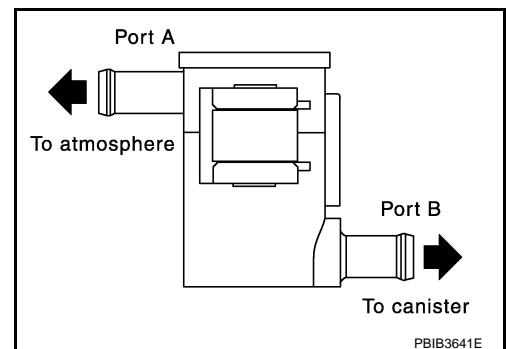
**CAUTION:**

**Use only a genuine fuel filler cap as a replacement. If an incorrect fuel filler cap is used, the MIL may illuminate.**



### DRAIN FILTER

1. Check visually for insect nests in the drain filter air inlet.
2. Check visually for cracks or flaws in the appearance.
3. Check visually for cracks or flaws in the hose.
4. Blow air into port A and check that it flows freely out of port B.
5. Block port B.
6. Blow air into port A and check that there is no leakage.
7. If NG, replace drain filter.



# P0456 EVAP CONTROL SYSTEM

< COMPONENT DIAGNOSIS >

[VK56DE]

## P0456 EVAP CONTROL SYSTEM

### On Board Diagnosis Logic

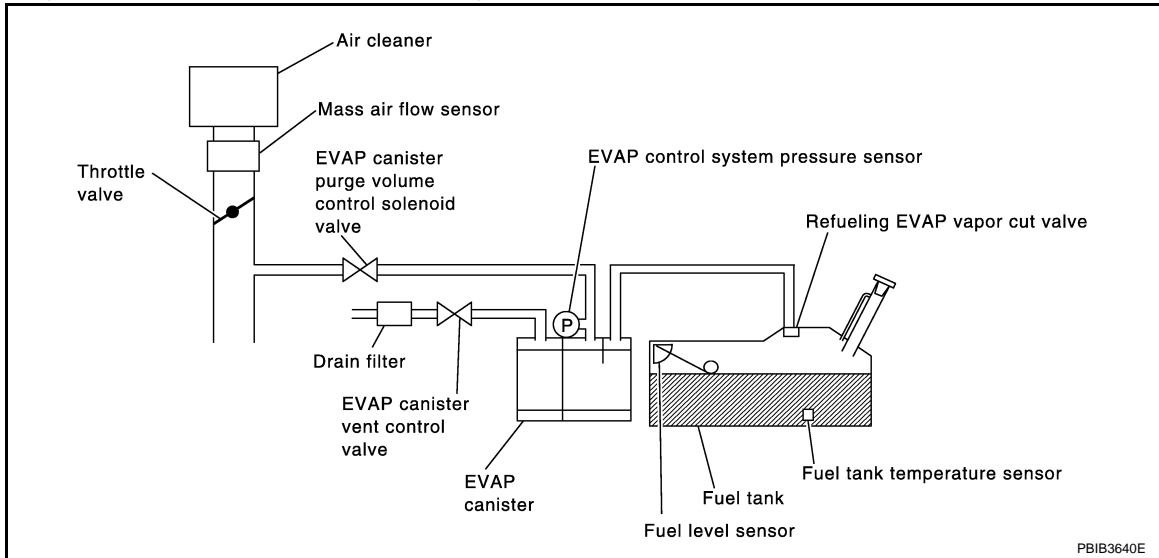
INFOID:000000003936679

This diagnosis detects very small leaks in the EVAP line between fuel tank and EVAP canister purge volume control solenoid valve, using the negative pressure.

If ECM judges a leak which corresponds to a very small leak, the very small leak P0456 will be detected.

If ECM judges a leak equivalent to a small leak, EVAP small leak P0442 will be detected.

If ECM judges that there are no leaks, the diagnosis will be OK.



DTC No.	Trouble diagnosis name	DTC detecting condition	Possible cause
P0456 0456	Evaporative emission control system very small leak (negative pressure check)	<ul style="list-style-type: none"> <li>• EVAP system has a very small leak.</li> <li>• EVAP system does not operate properly.</li> </ul>	<ul style="list-style-type: none"> <li>• Incorrect fuel tank vacuum relief valve</li> <li>• Incorrect fuel filler cap used</li> <li>• Fuel filler cap remains open or does not close</li> <li>• Foreign matter caught in fuel filler cap</li> <li>• Leak is in line between intake manifold and EVAP canister purge volume control solenoid valve</li> <li>• Foreign matter caught in EVAP canister vent control valve</li> <li>• EVAP canister or fuel tank leaks</li> <li>• EVAP purge line (pipe and rubber tube) leaks</li> <li>• EVAP purge line rubber tube bent</li> <li>• Loose or disconnected rubber tube</li> <li>• EVAP canister vent control valve and the circuit</li> <li>• EVAP canister purge volume control solenoid valve and the circuit</li> <li>• Fuel tank temperature sensor</li> <li>• Drain filter</li> <li>• O-ring of EVAP canister vent control valve is missing or damaged</li> <li>• EVAP canister is saturated with water</li> <li>• EVAP control system pressure sensor</li> <li>• Refueling EVAP vapor cut valve</li> <li>• ORVR system leaks</li> <li>• Fuel level sensor and the circuit</li> <li>• Foreign matter caught in EVAP canister purge volume control solenoid valve</li> </ul>

#### CAUTION:

- Use only a genuine NISSAN fuel filler cap as a replacement. If an incorrect fuel filler cap is used, the MIL may illuminate.
- If the fuel filler cap is not tightened properly, the MIL may illuminate.
- Use only a genuine NISSAN rubber tube as a replacement.

# P0456 EVAP CONTROL SYSTEM

< COMPONENT DIAGNOSIS >

[VK56DE]

## DTC Confirmation Procedure

INFOID:000000003936680

### NOTE:

- If DTC P0456 is displayed with P0442, first perform the trouble diagnosis for DTC P0456.
- Check that EVAP hoses are connected to EVAP canister purge volume control solenoid valve properly.
- After repair, check that the hoses and clips are installed properly.
- If DTC Confirmation Procedure has been previously conducted, always perform the following procedure before conducting the next step.
  1. Turn ignition switch OFF and wait at least 10 seconds.
  2. Turn ignition switch ON.
  3. Turn ignition switch OFF and wait at least 10 seconds.

### TESTING CONDITION:

- Open engine hood before conducting the following procedure.
- If any of following conditions are met just before the DTC confirmation procedure, leave the vehicle for more than 1 hour.
  - Fuel filler cap is removed.
  - Fuel is refilled or drained.
  - EVAP component part/parts is/are removed.
- Before performing the following procedure, confirm that battery voltage is more than 11 V at idle.

### ④ WITH CONSULT-III

1. Turn ignition switch ON and select "DATA MONITOR" mode with CONSULT-III.
2. Check that the following conditions are met.
  - FUEL LEVEL SE: 0.25 - 1.4 V**
  - COOLAN TEMP/S: 0 - 32°C (32 - 90°F)**
  - FUEL T/TMP SE: 0 - 35°C (32 - 95°F)**
  - INT/A TEMP SE: More than 0°C (32°F)**If NG, turn ignition switch OFF and leave the vehicle in a cool place (soak the vehicle), or refill/drain fuel until the output voltage of the "FUEL LEVEL SE" meets within the range above and leave the vehicle for more than 1 hour. Then start from step 1.
3. Turn ignition switch OFF, wait at least 10 seconds and then turn ON.
4. Select "EVP V/S LEAK P0456/P1456" of "EVAPORATIVE SYSTEM" in "DTC WORK SUPPORT" mode with CONSULT-III.  
Follow the instructions displayed.
5. Check that "OK" is displayed.  
If "NG" is displayed, go to [EC-749. "Diagnosis Procedure"](#).

### NOTE:

- If the engine speed cannot be maintained within the range displayed on CONSULT-III screen, go to [EC-495. "Basic Inspection"](#).

## Overall Function Check

INFOID:000000003936681

### ④ WITH GST

Use this procedure to check the overall function of the EVAP very small leak function. During this check, a 1st trip DTC might not be confirmed.

### CAUTION:

- Never use compressed air, doing so may damage the EVAP system.
- Never start engine.
- Never exceeded 4.12 kPa (0.042 kg/cm<sup>2</sup>, 0.6 psi).

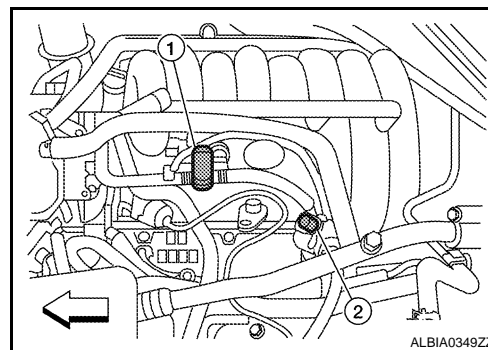


# P0456 EVAP CONTROL SYSTEM

[VK56DE]

## < COMPONENT DIAGNOSIS >

1. Attach the EVAP service port adapter (commercial service tool) securely to the EVAP service port (2).
  - EVAP canister purge volume control solenoid valve (1)
  - ⇐: Vehicle front



2. Set the pressure pump and a hose.
3. Also set a vacuum gauge via 3-way connector and a hose.
4. Turn ignition switch ON.
5. Connect GST and select Service \$08.
6. Using Service \$08, control the EVAP canister vent control valve (close).

### NOTE:

**For more information, refer to GST Instruction Manual.**

7. Apply pressure and check that the following conditions are satisfied.

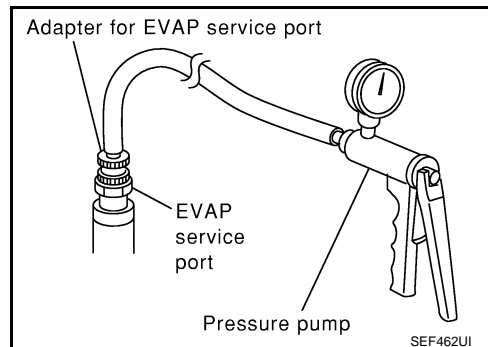
**Pressure to be applied: 2.7 kPa (0.028 kg/cm<sup>2</sup>, 0.39 psi)**

**Time to be waited after the pressure drawn in to the EVAP system and the pressure to be dropped: 60 seconds and the pressure should not be dropped more than 0.4 kPa (0.004 kg/cm<sup>2</sup>, 0.06 psi).**

If NG, go to [EC-749, "Diagnosis Procedure"](#).

If OK, go to next step.

8. Disconnect GST.
9. Start engine and warm it up to normal operating temperature.
10. Turn ignition switch OFF and wait at least 10 seconds.
11. Restart engine and let it idle for 90 seconds.
12. Keep engine speed at 2,000 rpm for 30 seconds.
13. Turn ignition switch OFF.



**the pressure should not be dropped**

## Diagnosis Procedure

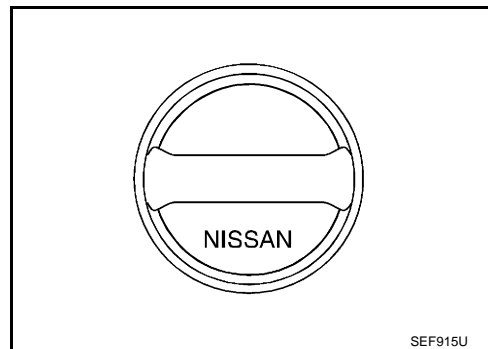
INFOID:000000003936682

### 1. CHECK FUEL FILLER CAP DESIGN

1. Turn ignition switch OFF.
2. Check for genuine NISSAN fuel filler cap design.

#### OK or NG

- OK >> GO TO 2.
- NG >> Replace with genuine NISSAN fuel filler cap.



### 2. CHECK FUEL FILLER CAP INSTALLATION

Check that the fuel filler cap is tightened properly by rotating the cap clockwise.

#### OK or NG

- OK >> GO TO 3.
- NG >> 1. Open fuel filler cap, then clean cap and fuel filler neck threads using air blower.  
2. Retighten until ratcheting sound is heard.

### 3. CHECK FUEL FILLER CAP FUNCTION

## P0456 EVAP CONTROL SYSTEM

[VK56DE]

### < COMPONENT DIAGNOSIS >

Check for air releasing sound while opening the fuel filler cap.

#### OK or NG

- OK >> GO TO 5.
- NG >> GO TO 4.

### 4. CHECK FUEL TANK VACUUM RELIEF VALVE

Refer to [EC-520, "Description"](#).

#### OK or NG

- OK >> GO TO 5.
- NG >> Replace fuel filler cap with a genuine one.

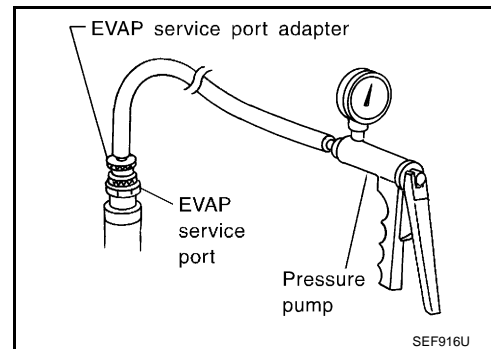
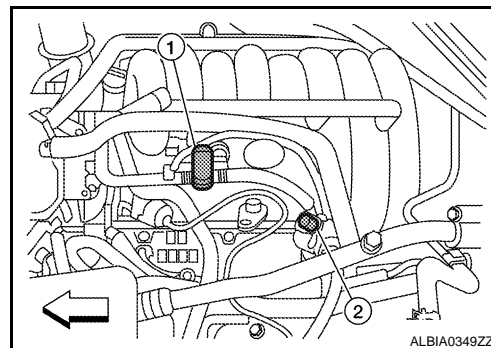
### 5. INSTALL THE PRESSURE PUMP

To locate the EVAP leak, install EVAP service port adapter (commercial service tool) and pressure pump to EVAP service port (2) securely.

#### NOTE:

**Improper installation of the EVAP service port adapter (commercial service tool) to the EVAP service port may cause leaking.**

- EVAP canister purge volume control solenoid valve (1)
- ↶: Vehicle front



With CONSULT-III >> GO TO 6.

Without CONSULT-III >> GO TO 7.

### 6. CHECK FOR EVAP LEAK

#### ⓑ With CONSULT-III

1. Turn ignition switch ON.
2. Select "EVAP SYSTEM CLOSE" of "WORK SUPPORT" mode with CONSULT-III.
3. Touch "START" and apply pressure into the EVAP line until the pressure indicator reaches the middle of the bar graph.

#### CAUTION:

- Never use compressed air or a high pressure pump.
- Never exceed 4.12 kPa (0.042 kg/cm<sup>2</sup>, 0.6 psi) of pressure in the system.

# P0456 EVAP CONTROL SYSTEM

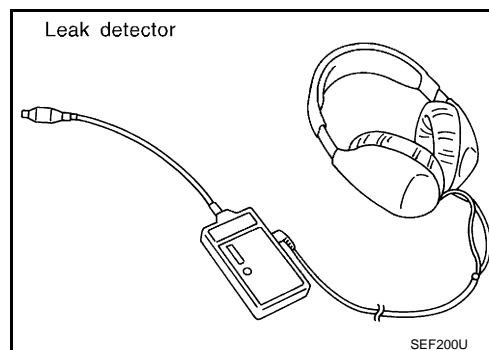
[VK56DE]

## < COMPONENT DIAGNOSIS >

- Using EVAP leak detector (commercial service tool), locate the EVAP leak. For the leak detector (commercial service tool), refer to the instruction manual for more details.

### OK or NG

- OK >> GO TO 8.  
NG >> Repair or replace malfunctioning part.



## 7. CHECK FOR EVAP LEAK

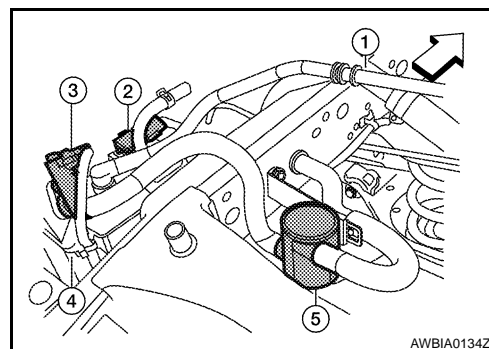
### ⊗ Without CONSULT-III

- Turn ignition switch OFF.
- Apply 12 volts DC to EVAP canister vent control valve (3). The valve will close. (Continue to apply 12 volts until the end of test.)
  - Fuel filler pipe (top of frame view) (1)
  - EVAP control system pressure sensor (2)
  - EVAP canister (4)
  - Drain filter (5)
  - ↔: Vehicle front
- Pressurize the EVAP line using pressure pump with 1.38 to 2.76 kPa (0.014 to 0.028 kg/cm<sup>2</sup>, 0.2 to 0.4 psi), then remove pump and EVAP service port adapter (commercial service tool).

### CAUTION:

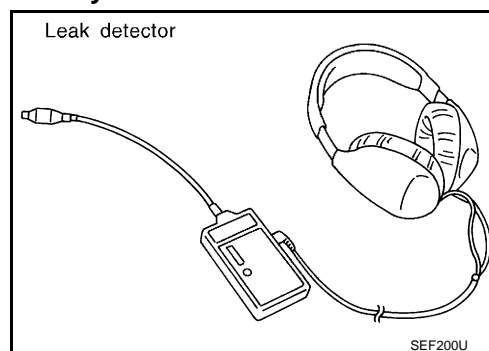
- Never use compressed air or a high pressure pump.
- Never exceed 4.12 kPa (0.042 kg/cm<sup>2</sup>, 0.6 psi) of pressure in the system.

- Using EVAP leak detector (commercial service tool), locate the EVAP leak. For the leak detector (commercial service tool), refer to the instruction manual for more details.



### OK or NG

- OK >> GO TO 8.  
NG >> Repair or replace malfunctioning part.



## 8. CHECK DRAIN FILTER

Refer to [EC-754, "Component Inspection"](#).

### OK or NG

- OK >> GO TO 9.  
NG >> Replace drain filter.

## 9. CHECK EVAP CANISTER VENT CONTROL VALVE

Check the following.

- EVAP canister vent control valve is installed properly.  
Refer to [EC-955, "Removal and Installation"](#).
- EVAP canister vent control valve.  
Refer to [EC-721, "Component Inspection"](#).

### OK or NG

- OK >> GO TO 10.  
NG >> Repair or replace EVAP canister vent control valve and O-ring.

## 10. CHECK IF EVAP CANISTER IS SATURATED WITH WATER

- Remove EVAP canister with EVAP canister vent control valve and EVAP control system pressure sensor attached.

# P0456 EVAP CONTROL SYSTEM

< COMPONENT DIAGNOSIS >

[VK56DE]

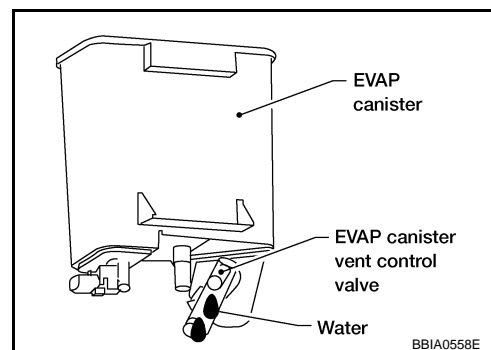
2. Does water drain from the EVAP canister?

Yes or No

Yes >> GO TO 11.

No (With CONSULT-III)>>GO TO 13.

No (Without CONSULT-III)>>GO TO 14.



## 11. CHECK EVAP CANISTER

Weigh the EVAP canister with the EVAP canister vent control valve and EVAP control system pressure sensor attached.

SWB models: The weight should be less than 2.5 kg (5.5 lb).

LWB models: The weight should be less than 3.2 kg (7.1 lb).

OK or NG

OK (With CONSULT-III)>>GO TO 13.

OK (Without CONSULT-III)>>GO TO 14.

NG >> GO TO 12.

## 12. DETECT MALFUNCTIONING PART

Check the following.

- EVAP canister for damage
- EVAP hose between EVAP canister and drain filter for clogging or poor connection

>> Repair hose or replace EVAP canister.

## 13. CHECK EVAP CANISTER PURGE VOLUME CONTROL SOLENOID VALVE OPERATION

**Ⓜ With CONSULT-III**

1. Disconnect vacuum hose connected to EVAP canister purge volume control solenoid valve and EVAP service port from EVAP service port.
2. Start engine.
3. Perform "PURG VOL CONT/V" in "ACTIVE TEST" mode.
4. Touch "Qu" on CONSULT-III screen to increase "PURG VOL C/V" opening to 100%.
5. Check vacuum hose for vacuum when revving engine up to 2,000 rpm.

**Vacuum should exist.**

OK or NG

OK >> GO TO 16.

NG >> GO TO 15.

## 14. CHECK EVAP CANISTER PURGE VOLUME CONTROL SOLENOID VALVE OPERATION

**ⓧ Without CONSULT-III**

1. Start engine and warm it up to normal operating temperature.
2. Stop engine.
3. Disconnect vacuum hose connected to EVAP canister purge volume control solenoid valve and EVAP service port from EVAP service port.
4. Start engine and let it idle for at least 80 seconds.
5. Check vacuum hose for vacuum when revving engine up to 2,000 rpm.

**Vacuum should exist.**

OK or NG

OK >> GO TO 17.

NG >> GO TO 15.

# P0456 EVAP CONTROL SYSTEM

< COMPONENT DIAGNOSIS >

[VK56DE]

---

## 15. CHECK VACUUM HOSE

Check vacuum hoses for clogging or disconnection. Refer to [EC-520. "Description"](#).

OK or NG

OK >> GO TO 16.

NG >> Repair or reconnect the hose.

---

## 16. CHECK EVAP CANISTER PURGE VOLUME CONTROL SOLENOID VALVE

Refer to [EC-718. "Component Inspection"](#).

OK or NG

OK >> GO TO 17.

NG >> Replace EVAP canister purge volume control solenoid valve.

---

## 17. CHECK FUEL TANK TEMPERATURE SENSOR

Refer to [EC-672. "Component Inspection"](#).

OK or NG

OK >> GO TO 18.

NG >> Replace "fuel level sensor unit and fuel pump".

---

## 18. CHECK EVAP CONTROL SYSTEM PRESSURE SENSOR

Refer to [EC-730. "Component Inspection"](#).

OK or NG

OK >> GO TO 19.

NG >> Replace EVAP control system pressure sensor.

---

## 19. CHECK EVAP PURGE LINE

Check EVAP purge line (pipe, rubber tube, fuel tank and EVAP canister) for cracks or improper connection.

Refer to [EC-520. "Description"](#).

OK or NG

OK >> GO TO 20.

NG >> Repair or reconnect the hose.

---

## 20. CLEAN EVAP PURGE LINE

Clean EVAP purge line (pipe and rubber tube) using air blower.

>> GO TO 21.

---

## 21. CHECK EVAP/ORVR LINE

Check EVAP/ORVR line between EVAP canister and fuel tank for clogging, kinks, looseness and improper connection. For location, refer to [EC-877. "System Description"](#).

OK or NG

OK >> GO TO 22.

NG >> Repair or replace hoses and tubes.

---

## 22. CHECK RECIRCULATION LINE

Check recirculation line between filler neck tube and fuel tank for clogging, kinks, cracks, looseness and improper connection.

OK or NG

OK >> GO TO 23.

NG >> Repair or replace hose, tube or filler neck tube.

---

## 23. CHECK REFUELING EVAP VAPOR CUT VALVE

Refer to [EC-880. "Component Inspection"](#).

OK or NG

OK >> GO TO 24.

NG >> Replace refueling EVAP vapor cut valve with fuel tank.

< COMPONENT DIAGNOSIS >

## 24. CHECK FUEL LEVEL SENSOR

Refer to [EC-759, "Diagnosis Procedure"](#).

OK or NG

OK >> GO TO 25.

NG >> Replace "fuel level sensor unit and fuel pump".

## 25. CHECK INTERMITTENT INCIDENT

Refer to [GI-49, "Intermittent Incident"](#).

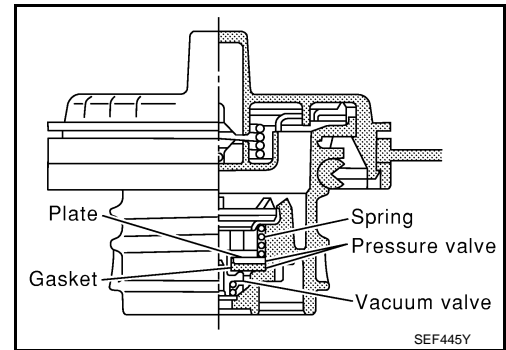
>> INSPECTION END

### Component Inspection

INFOID:000000004333371

#### FUEL TANK VACUUM RELIEF VALVE (BUILT INTO FUEL FILLER CAP)

1. Wipe clean valve housing.



2. Check valve opening pressure and vacuum.

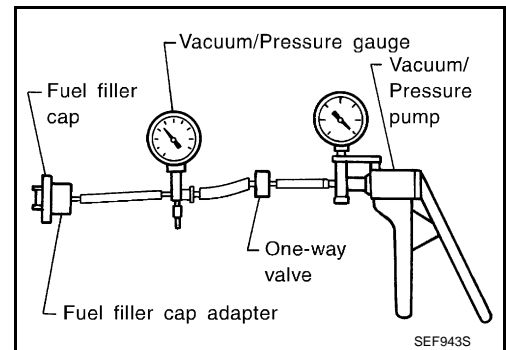
**Pressure:** 15.3 - 20.0 kPa (0.156 - 0.204 kg/cm<sup>2</sup>, 2.22 - 2.90 psi)

**Vacuum:** -6.0 to -3.3 kPa (-0.061 to -0.034 kg/cm<sup>2</sup>, -0.87 to -0.48 psi)

3. If out of specification, replace fuel filler cap as an assembly.

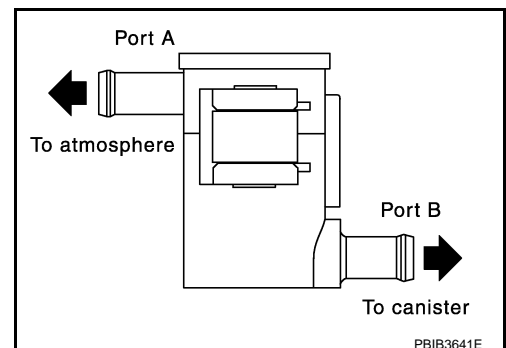
**CAUTION:**

**Use only a genuine fuel filler cap as a replacement. If an incorrect fuel filler cap is used, the MIL may illuminate.**



#### DRAIN FILTER

1. Check visually for insect nests in the drain filter air inlet.
2. Check visually for cracks or flaws in the appearance.
3. Check visually for cracks or flaws in the hose.
4. Blow air into port A and check that it flows freely out of port B.
5. Block port B.
6. Blow air into port A and check that there is no leakage.
7. If NG, replace drain filter.



# P0460 FUEL LEVEL SENSOR

< COMPONENT DIAGNOSIS >

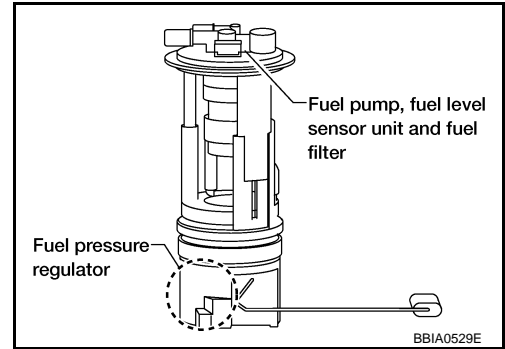
[VK56DE]

## P0460 FUEL LEVEL SENSOR

### Component Description

INFOID:000000003936684

The fuel level sensor is mounted in the fuel level sensor unit. The sensor detects a fuel level in the fuel tank and transmits a signal to the combination meter. The combination meter sends the fuel level sensor signal to the ECM via the CAN communication line. It consists of two parts, one is mechanical float and the other is variable resistor. Fuel level sensor output voltage changes depending on the movement of the fuel mechanical float.



### On Board Diagnosis Logic

INFOID:000000003936685

#### NOTE:

- If DTC P0460 is displayed with DTC UXXXX, first perform the trouble diagnosis for DTC UXXXX.
- If DTC P0460 is displayed with DTC P0607, first perform the trouble diagnosis for DTC P0607. Refer to [EC-774, "DTC Confirmation Procedure"](#).

When the vehicle is parked, the fuel level in the fuel tank is naturally stable. It means that output signal of the fuel level sensor does not change. If ECM senses sloshing signal from the sensor, fuel level sensor malfunction is detected.

DTC No.	Trouble diagnosis name	DTC detecting condition	Possible cause
P0460 0460	Fuel level sensor circuit noise	Even though the vehicle is parked, a signal being varied is sent from the fuel level sensor to ECM.	<ul style="list-style-type: none"><li>• Harness or connectors (The CAN communication line is open or shorted)</li><li>• Harness or connectors (The sensor circuit is open or shorted)</li><li>• Combination meter</li><li>• Fuel level sensor</li></ul>

### DTC Confirmation Procedure

INFOID:000000003936686

1. If DTC Confirmation Procedure has been previously conducted, always perform the following procedure before conducting the next step.
  - a. Turn ignition switch OFF and wait at least 10 seconds.
  - b. Turn ignition switch ON.
  - c. Turn ignition switch OFF and wait at least 10 seconds.
2. Start engine and wait maximum of 2 consecutive minutes.
3. Check 1st trip DTC.
4. If 1st trip DTC is detected, go to [EC-755, "Diagnosis Procedure"](#).

### Diagnosis Procedure

INFOID:000000003936687

#### 1. CHECK COMBINATION METER FUNCTION

Refer to [MWI-3, "Work Flow"](#).

#### OK or NG

- OK >> GO TO 2.
- NG >> Go to [MWI-32, "Component Function Check"](#).

#### 2. CHECK INTERMITTENT INCIDENT

Refer to [GI-49, "Intermittent Incident"](#).

# P0460 FUEL LEVEL SENSOR

< COMPONENT DIAGNOSIS >

[VK56DE]

---

>> INSPECTION END



# P0461 FUEL LEVEL SENSOR

< COMPONENT DIAGNOSIS >

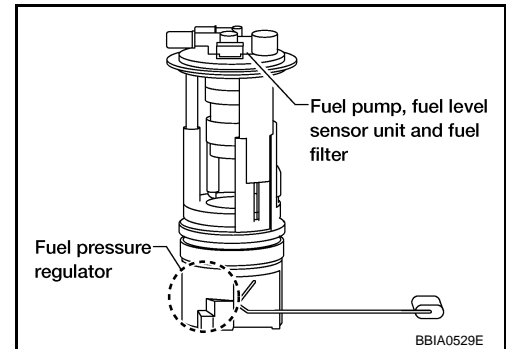
[VK56DE]

## P0461 FUEL LEVEL SENSOR

### Component Description

INFOID:00000000433372

The fuel level sensor is mounted in the fuel level sensor unit. The sensor detects a fuel level in the fuel tank and transmits a signal to the combination meter. The combination meter sends the fuel level sensor signal to the ECM via the CAN communication line. It consists of two parts, one is mechanical float and the other is variable resistor. Fuel level sensor output voltage changes depending on the movement of the fuel mechanical float.



### On Board Diagnosis Logic

INFOID:000000003936689

#### NOTE:

- If DTC P0461 is displayed with DTC UXXXX, first perform the trouble diagnosis for DTC UXXXX.
- If DTC P0461 is displayed with DTC P0607, first perform the trouble diagnosis for DTC P0607. Refer to [EC-774, "DTC Confirmation Procedure"](#).

Driving long distances naturally affect fuel gauge level.

This diagnosis detects the fuel gauge malfunction of the gauge not moving even after a long distance has been driven.

DTC No.	Trouble diagnosis name	DTC detecting condition	Possible cause
P0461 0461	Fuel level sensor circuit range/performance	The output signal of the fuel level sensor does not change within the specified range even though the vehicle has been driven a long distance.	<ul style="list-style-type: none"><li>• Harness or connectors (The CAN communication line is open or shorted)</li><li>• Harness or connectors (The sensor circuit is open or shorted)</li><li>• Combination meter</li><li>• Fuel level sensor</li></ul>

### Overall Function Check

INFOID:000000003936690

Use this procedure to check the overall function of the fuel level sensor. During this check, a 1st trip DTC might not be confirmed.

#### WARNING:

When performing the following procedure, always observe the handling of the fuel. Refer to [FL-11, "Removal and Installation"](#).

#### TESTING CONDITION:

Before starting overall function check, preparation of draining fuel and refilling fuel is required.

Ⓜ WITH CONSULT-III

#### NOTE:

Start from step 10, if it is possible to confirm that the fuel cannot be drained by 30 ℓ (7-7/8 US gal, 6-5/8 Imp gal) in advance.

1. Prepare a fuel container and a spare hose.
2. Release fuel pressure from fuel line, refer to [EC-951, "Fuel Pressure Check"](#).
3. Remove the fuel feed hose on the fuel level sensor unit.
4. Connect a spare fuel hose where the fuel feed hose was removed.
5. Turn ignition switch OFF and wait at least 10 seconds then turn ON.
6. Select "FUEL LEVEL SE" in "DATA MONITOR" mode with CONSULT-III.
7. Check "FUEL LEVEL SE" output voltage and note it.
8. Select "FUEL PUMP" in "ACTIVE TEST" mode with CONSULT-III.
9. Touch "ON" and drain fuel approximately 30 ℓ (7-7/8 US gal, 6-5/8 Imp gal) and stop it.
10. Check "FUEL LEVEL SE" output voltage and note it.
11. Fill fuel into the fuel tank for 30 ℓ (7-7/8 US gal, 6-5/8 Imp gal).
12. Check "FUEL LEVEL SE" output voltage and note it.

# P0461 FUEL LEVEL SENSOR

[VK56DE]

< COMPONENT DIAGNOSIS >

13. Confirm whether the voltage changes more than 0.03V during step 7 to 10 and 10 to 12.

If NG, go to [EC-758, "Diagnosis Procedure"](#).

Ⓢ WITH GST

## NOTE:

**Start from step 8, if it is possible to confirm that the fuel cannot be drained by 30 ℓ (7-7/8 US gal, 6-5/8 Imp gal) in advance.**

1. Prepare a fuel container and a spare hose.
2. Release fuel pressure from fuel line. Refer to [EC-951, "Fuel Pressure Check"](#).
3. Remove the fuel feed hose on the fuel level sensor unit.
4. Connect a spare fuel hose where the fuel feed hose was removed.
5. Turn ignition switch ON.
6. Drain fuel by 30 ℓ (7-7/8 US gal, 6-5/8 Imp gal) from the fuel tank using proper equipment.
7. Confirm that the fuel gauge indication varies.
8. Fill fuel into the fuel tank for 30 ℓ (7-7/8 US gal, 6-5/8 Imp gal).
9. Confirm that the fuel gauge indication varies.
10. If NG, go to [EC-758, "Diagnosis Procedure"](#).

## Diagnosis Procedure

INFOID:000000003936691

### 1. CHECK DTC WITH COMBINATION METER

Refer to [MWI-3, "Work Flow"](#).

OK or NG

OK >> GO TO 2.

NG >> Go to [MWI-32, "Component Function Check"](#).

### 2. CHECK INTERMITTENT INCIDENT

Refer to [GI-49, "Intermittent Incident"](#).

>> **INSPECTION END**

# P0462, P0463 FUEL LEVEL SENSOR

< COMPONENT DIAGNOSIS >

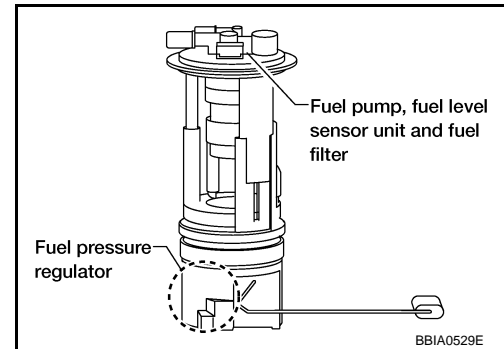
[VK56DE]

## P0462, P0463 FUEL LEVEL SENSOR

### Component Description

INFOID:000000004333373

The fuel level sensor is mounted in the fuel level sensor unit. The sensor detects a fuel level in the fuel tank and transmits a signal to the combination meter. The combination meter sends the fuel level sensor signal to the ECM via the CAN communication line. It consists of two parts, one is mechanical float and the other is variable resistor. Fuel level sensor output voltage changes depending on the movement of the fuel mechanical float.



### On Board Diagnosis Logic

INFOID:000000003936693

#### NOTE:

- If DTC P0462 or P0463 is displayed with DTC UXXXX, first perform the trouble diagnosis for DTC UXXXX.
- If DTC P0462 or P0463 is displayed with DTC P0607, first perform the trouble diagnosis for DTC P0607. Refer to [EC-774, "DTC Confirmation Procedure"](#).

DTC No.	Trouble diagnosis name	DTC detecting condition	Possible cause
P0462 0462	Fuel level sensor circuit low input	An excessively low voltage from the sensor is sent to ECM.	<ul style="list-style-type: none"><li>• Harness or connectors (The CAN communication line is open or shorted)</li><li>• Harness or connectors (The sensor circuit is open or shorted)</li><li>• Combination meter</li><li>• Fuel level sensor</li></ul>
P0463 0463	Fuel level sensor circuit high input	An excessively high voltage from the sensor is sent to ECM.	

### DTC Confirmation Procedure

INFOID:000000003936694

#### NOTE:

If DTC Confirmation Procedure has been previously conducted, always perform the following procedure before conducting the next step.

1. Turn ignition switch OFF and wait at least 10 seconds.
2. Turn ignition switch ON.
3. Turn ignition switch OFF and wait at least 10 seconds.

#### TESTING CONDITION:

Before performing the following procedure, confirm that battery voltage is more than 11 V at ignition switch ON.

1. Turn ignition switch ON.
2. Wait at least 5 seconds.
3. Check 1st trip DTC.
4. If 1st trip DTC is detected, go to [EC-759, "Diagnosis Procedure"](#).

### Diagnosis Procedure

INFOID:000000003936695

#### 1. CHECK COMBINATION METER FUNCTION

Refer to [MWI-3, "Work Flow"](#).

#### OK or NG

- OK >> GO TO 2.
- NG >> Go to [MWI-32, "Component Function Check"](#).

#### 2. CHECK INTERMITTENT INCIDENT

Refer to [GI-49, "Intermittent Incident"](#).

**P0462, P0463 FUEL LEVEL SENSOR**

< COMPONENT DIAGNOSIS >

[VK56DE]

---

>> INSPECTION END

P0500 VSS

Description

INFOID:000000003936696

NOTE:

- If DTC P0500 is displayed with DTC UXXXX, first perform the trouble diagnosis for DTC UXXXX.
- If DTC P0500 is displayed with DTC P0607, first perform the trouble diagnosis for DTC P0607. Refer to [EC-774, "DTC Confirmation Procedure"](#).

The vehicle speed signal is sent to the combination meter (unified meter control unit) from the "ABS actuator and electric unit (control unit)" via the CAN communication line. The combination meter (unified meter control unit) then sends a signal to the ECM via the CAN communication line.

On Board Diagnosis Logic

INFOID:000000003936697

DTC No.	Trouble diagnosis name	DTC detecting condition	Possible cause
P0500 0500	Vehicle speed sensor	The vehicle speed signal sent to ECM is almost 0 km/h (0 MPH) even when vehicle is being driven.	<ul style="list-style-type: none"> <li>• Harness or connectors (The CAN communication line is open or shorted)</li> <li>• Harness or connectors (The vehicle speed signal circuit is open or shorted)</li> <li>• Wheel sensor</li> <li>• Combination meter (unified meter control unit)</li> <li>• ABS actuator and electric unit (control unit)</li> </ul>

FAIL-SAFE MODE

When the malfunction is detected, the ECM enters fail-safe mode.

Detected items	Engine operating condition in fail-safe mode
Vehicle speed signal	When the fail-safe system for vehicle speed signal is activated, the cooling fan operates (High) while engine is running.

DTC Confirmation Procedure

INFOID:000000003936698

**CAUTION:**

**Always drive vehicle at a safe speed.**

**NOTE:**

If DTC Confirmation Procedure has been previously conducted, always perform the following procedure before conducting the next step.

1. Turn ignition switch OFF and wait at least 10 seconds.
2. Turn ignition switch ON.
3. Turn ignition switch OFF and wait at least 10 seconds.

**TESTING CONDITION:**

**Steps 1 and 2 may be conducted with the drive wheels lifted in the shop or by driving the vehicle. If a road test is expected to be easier, it is unnecessary to lift the vehicle.**

④ WITH CONSULT-III

1. Start engine (VDC switch OFF).
2. Read "VHCL SPEED SE" in "DATA MONITOR" mode with CONSULT-III. The vehicle speed on CONSULT-III should exceed 10 km/h (6 MPH) when rotating wheels with suitable gear position.  
If NG, go to [EC-762, "Diagnosis Procedure"](#).  
If OK, go to following step.
3. Select "DATA MONITOR" mode with CONSULT-III.
4. Warm engine up to normal operating temperature.
5. Maintain the following conditions for at least 60 consecutive seconds.

ENG SPEED	1,400 - 6,000 rpm
COOLAN TEMP/S	More than 70°C (158°F)
B/FUEL SCHDL	8.8 - 31.8 msec

< COMPONENT DIAGNOSIS >

Selector lever	Except P or N position
PW/ST SIGNAL	OFF

6. Check 1st trip DTC.
7. If 1st trip DTC is detected, go to [EC-762. "Diagnosis Procedure"](#).

## Overall Function Check

INFOID:000000003936699

Use this procedure to check the overall function of the vehicle speed signal circuit. During this check, a 1st trip DTC might not be confirmed.

### WITH GST

1. Lift up drive wheels.
2. Start engine.
3. Read vehicle speed signal in Service \$01 with GST.  
The vehicle speed signal on GST should be able to exceed 10 km/h (6 MPH) when rotating wheels with suitable gear position.
4. If NG, go to [EC-762. "Diagnosis Procedure"](#).

## Diagnosis Procedure

INFOID:000000003936700

### 1. CHECK DTC WITH ABS ACTUATOR AND ELECTRIC UNIT (CONTROL UNIT)

Refer to [BRC-26. "CONSULT-III Function \(ABS\)"](#) or [BRC-153. "CONSULT-III Function \(ABS\)"](#).

#### OK or NG

- OK >> GO TO 2.
- NG >> Repair or replace malfunctioning part.

### 2. CHECK COMBINATION METER FUNCTION

Refer to [MWI-24. "CONSULT-III Function \(METER/M&A\)"](#).

>> **INSPECTION END**

P0506 ISC SYSTEM

Description

INFOID:000000003936701

NOTE:

If DTC P0506 is displayed with other DTC, first perform the trouble diagnosis for the other DTC.

The ECM controls the engine idle speed to a specified level through the fine adjustment of the air, which is let into the intake manifold, by operating the electric throttle control actuator. The operating of the throttle valve is varied to allow for optimum control of the engine idling speed. The crankshaft position sensor (POS) detects the actual engine speed and sends a signal to the ECM.

The ECM controls the electric throttle control actuator so that the engine speed coincides with the target value memorized in the ECM. The target engine speed is the lowest speed at which the engine can operate steadily. The optimum value stored in the ECM is determined by taking into consideration various engine conditions, such as during warming up, deceleration and engine load (air conditioner, power steering and cooling fan operation, etc.).

On Board Diagnosis Logic

INFOID:000000003936702

DTC No.	Trouble diagnosis name	DTC detecting condition	Possible cause
P0506 0506	Idle speed control system RPM lower than expected	The idle speed is less than the target idle speed by 100 rpm or more.	<ul style="list-style-type: none"> <li>• Electric throttle control actuator</li> <li>• Intake air leak</li> </ul>

DTC Confirmation Procedure

INFOID:000000003936703

NOTE:

- If the target idle speed is out of the specified value, perform [EC-500, "Idle Air Volume Learning"](#), before conducting DTC Confirmation Procedure. For the target idle speed, refer to [EC-956, "Idle Speed and Ignition Timing"](#).
- If DTC Confirmation Procedure has been previously conducted, always perform the following procedure before conducting the next test.
  1. Turn ignition switch OFF and wait at least 10 seconds.
  2. Turn ignition switch ON.
  3. Turn ignition switch OFF and wait at least 10 seconds.

TESTING CONDITION:

- Before performing the following procedure, confirm that battery voltage is more than 11 V at idle.
- Always perform the test at a temperature above -10°C(14°F).
  1. Open engine hood.
  2. Start engine and warm it up to normal operating temperature.
  3. Turn ignition switch OFF and wait at least 10 seconds.
  4. Turn ignition switch ON.
  5. Turn ignition switch OFF and wait at least 10 seconds.
  6. Start engine and run it for at least 1 minute at idle speed.
  7. Check 1st trip DTC.
  8. If 1st trip DTC is detected, go to [EC-763, "Diagnosis Procedure"](#).

Diagnosis Procedure

INFOID:000000003936704

1.CHECK INTAKE AIR LEAKAGE

1. Start engine and let it idle.
2. Listen for an intake air leakage after the mass air flow sensor.

OK or NG

- OK >> GO TO 2.
- NG >> Discover air leakage location and repair.

2.REPLACE ECM

1. Stop engine.
2. Replace ECM.
3. Perform initialization of NVIS(NATS) system and registration of all NVIS(NATS) ignition key IDs. Refer to [SEC-8, "ECM RE-COMMUNICATING FUNCTION : Special Repair Requirement"](#) (with intelligent key sys-

## P0506 ISC SYSTEM

< COMPONENT DIAGNOSIS >

[VK56DE]

tem) or [SEC-124. "ECM RE-COMMUNICATING FUNCTION : Special Repair Requirement"](#) (without intelligent key system).

4. Perform [EC-499. "VIN Registration"](#).
5. Perform [EC-500. "Accelerator Pedal Released Position Learning"](#).
6. Perform [EC-500. "Throttle Valve Closed Position Learning"](#).
7. Perform [EC-500. "Idle Air Volume Learning"](#).

>> INSPECTION END



P0507 ISC SYSTEM

Description

INFOID:000000004333374

**NOTE:**

**If DTC P0506 is displayed with other DTC, first perform the trouble diagnosis for the other DTC.**

The ECM controls the engine idle speed to a specified level through the fine adjustment of the air, which is let into the intake manifold, by operating the electric throttle control actuator. The operating of the throttle valve is varied to allow for optimum control of the engine idling speed. The crankshaft position sensor (POS) detects the actual engine speed and sends a signal to the ECM.

The ECM controls the electric throttle control actuator so that the engine speed coincides with the target value memorized in the ECM. The target engine speed is the lowest speed at which the engine can operate steadily. The optimum value stored in the ECM is determined by taking into consideration various engine conditions, such as during warming up, deceleration and engine load (air conditioner, power steering and cooling fan operation, etc.).

On Board Diagnosis Logic

INFOID:0000000003936706

DTC No.	Trouble diagnosis name	DTC detecting condition	Possible cause
P0507 0507	Idle speed control system RPM higher than expected	The idle speed is more than the target idle speed by 200 rpm or more.	<ul style="list-style-type: none"> <li>• Electric throttle control actuator</li> <li>• Intake air leak</li> <li>• PCV system</li> </ul>

DTC Confirmation Procedure

INFOID:0000000003936707

**NOTE:**

• **If the target idle speed is out of the specified value, perform [EC-500, "Idle Air Volume Learning"](#), before conducting DTC Confirmation Procedure. For the target idle speed, refer to [EC-956, "Idle Speed and Ignition Timing"](#).**

• If DTC Confirmation Procedure has been previously conducted, always perform the following procedure before conducting the next test.

1. Turn ignition switch OFF and wait at least 10 seconds.
2. Turn ignition switch ON.
3. Turn ignition switch OFF and wait at least 10 seconds.

**TESTING CONDITION:**

• **Before performing the following procedure, confirm that battery voltage is more than 11 V at idle.**

• **Always perform the test at a temperature above -10°C(14°F).**

1. Open engine hood.
2. Start engine and warm it up to normal operating temperature.
3. Turn ignition switch OFF and wait at least 10 seconds.
4. Turn ignition switch ON.
5. Turn ignition switch OFF and wait at least 10 seconds.
6. Start engine and run it for at least 1 minute at idle speed.
7. Check 1st trip DTC.
8. If 1st trip DTC is detected, go to [EC-765, "Diagnosis Procedure"](#).

Diagnosis Procedure

INFOID:0000000003936708

**1. CHECK PCV HOSE CONNECTION**

Confirm that PCV hose is connected correctly.

OK or NG

- OK >> GO TO 2.
- NG >> Repair or replace malfunctioning part.

**2. CHECK INTAKE AIR LEAKAGE**

1. Start engine and let it idle.
2. Listen for an intake air leakage after the mass air flow sensor.

OK or NG

- OK >> GO TO 3.

---

NG >> Discover air leakage location and repair.

**3.REPLACE ECM**

---

1. Stop engine.
2. Replace ECM.
3. Perform initialization of NVIS(NATS) system and registration of all NVIS(NATS) ignition key IDs. Refer to [SEC-8, "ECM RE-COMMUNICATING FUNCTION : Special Repair Requirement"](#) (with intelligent key system) or [SEC-124, "ECM RE-COMMUNICATING FUNCTION : Special Repair Requirement"](#) (without intelligent key system).
4. Perform [EC-499, "VIN Registration"](#).
5. Perform [EC-500, "Accelerator Pedal Released Position Learning"](#).
6. Perform [EC-500, "Throttle Valve Closed Position Learning"](#).
7. Perform [EC-500, "Idle Air Volume Learning"](#).

**>> INSPECTION END**

# P0550 PSP SENSOR

< COMPONENT DIAGNOSIS >

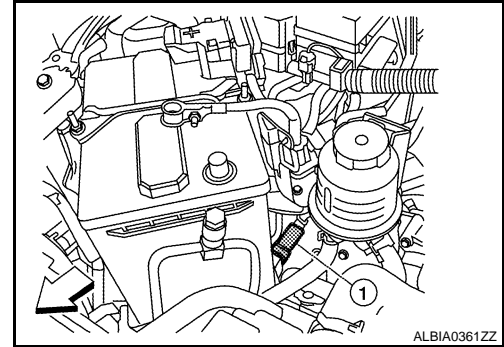
[VK56DE]

## P0550 PSP SENSOR

### Component Description

INFOID:000000003936709

Power steering pressure (PSP) sensor (1) is installed to the power steering high-pressure tube and detects a power steering load. This sensor is a potentiometer which transforms the power steering load into output voltage, and emits the voltage signal to the ECM. The ECM controls the electric throttle control actuator and adjusts the throttle valve opening angle to increase the engine speed and adjusts the idle speed for the increased load.



### On Board Diagnosis Logic

INFOID:000000003936710

The MIL will not illuminate for this self-diagnosis.

#### NOTE:

If DTC P0550 is displayed with DTC P0643, first perform the trouble diagnosis for DTC P0643. Refer to [EC-775, "DTC Confirmation Procedure"](#).

DTC No.	Trouble diagnosis name	DTC detecting condition	Possible cause
P0550 0550	Power steering pressure sensor circuit	An excessively low or high voltage from the sensor is sent to ECM.	<ul style="list-style-type: none"><li>• Harness or connectors (The sensor circuit is open or shorted)</li><li>• Power steering pressure sensor</li></ul>

### DTC Confirmation Procedure

INFOID:000000003936711

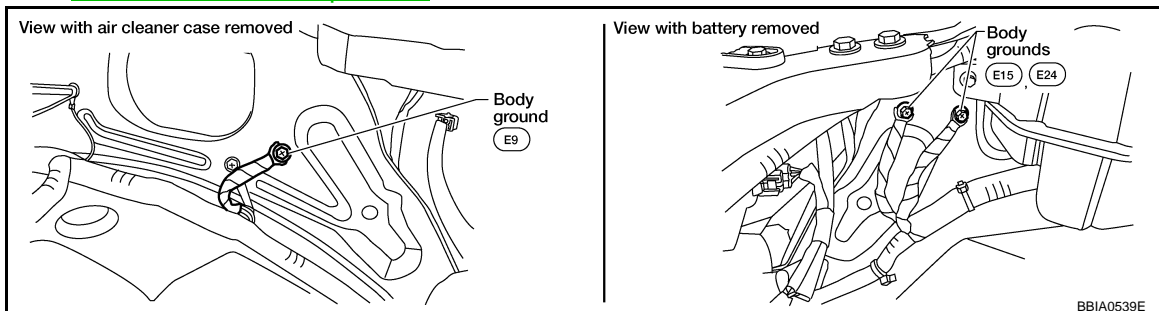
1. If DTC Confirmation Procedure has been previously conducted, always perform the following procedure before conducting the next step.
  - a. Turn ignition switch OFF and wait at least 10 seconds.
  - b. Turn ignition switch ON.
  - c. Turn ignition switch OFF and wait at least 10 seconds.
2. Start engine and let it idle for at least 5 seconds.
3. Check 1st trip DTC.
4. If 1st trip DTC is detected, go to [EC-767, "Diagnosis Procedure"](#).

### Diagnosis Procedure

INFOID:000000003936712

#### 1. CHECK GROUND CONNECTIONS

1. Turn ignition switch OFF.
2. Loosen and retighten ground screws on the body. Refer to [EC-568, "Ground Inspection"](#).



OK or NG

- OK >> GO TO 2.  
NG >> Repair or replace ground connections.

EC-767

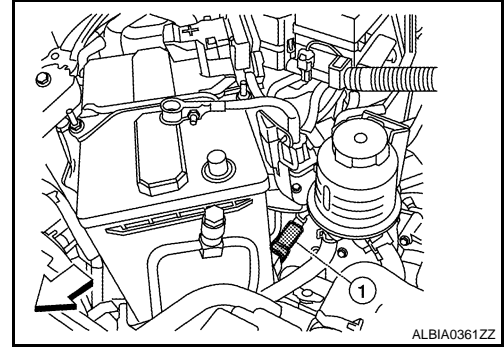
# P0550 PSP SENSOR

[VK56DE]

< COMPONENT DIAGNOSIS >

## 2. CHECK PSP SENSOR POWER SUPPLY CIRCUIT

1. Disconnect power steering pressure (PSP) sensor (1) harness connector.
2. Turn ignition switch ON.

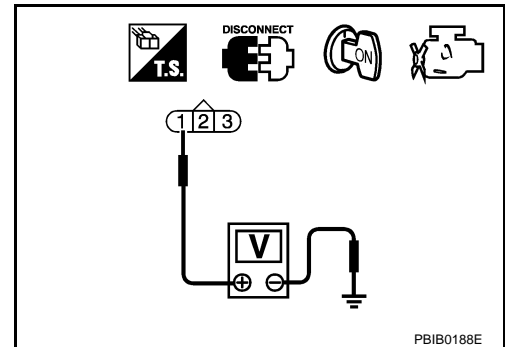


3. Check voltage between PSP sensor terminal 1 and ground with CONSULT-III or tester.

**Voltage: Approximately 5 V**

OK or NG

- OK >> GO TO 3.  
NG >> Repair harness or connectors.



## 3. CHECK PSP SENSOR GROUND CIRCUIT FOR OPEN AND SHORT

1. Turn ignition switch OFF.
2. Disconnect ECM harness connector.
3. Check harness continuity between PSP sensor terminal 3 and ECM terminal 67. Refer to Wiring Diagram.

**Continuity should exist.**

4. Also check harness for short to ground and short to power.

OK or NG

- OK >> GO TO 4.  
NG >> Repair open circuit or short to ground or short to power in harness or connectors.

## 4. CHECK PSP SENSOR INPUT SIGNAL CIRCUIT FOR OPEN AND SHORT

1. Check harness continuity between ECM terminal 12 and PSP sensor terminal 2.

**Continuity should exist.**

2. Also check harness for short to ground and short to power.

OK or NG

- OK >> GO TO 5.  
NG >> Repair open circuit or short to ground or short to power in harness or connectors.

## 5. CHECK PSP SENSOR

Refer to [EC-769, "Component Inspection"](#).

OK or NG

- OK >> GO TO 6.  
NG >> Replace PSP sensor.

## 6. CHECK INTERMITTENT INCIDENT

Refer to [GI-49, "Intermittent Incident"](#).

>> INSPECTION END

# P0550 PSP SENSOR

< COMPONENT DIAGNOSIS >

[VK56DE]

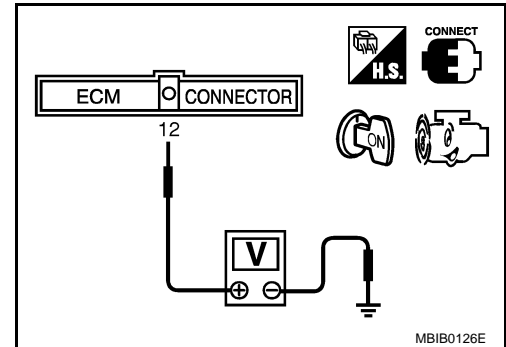
INFOID:000000003936713

## Component Inspection

### POWER STEERING PRESSURE SENSOR

1. Reconnect all harness connectors disconnected.
2. Start engine and let it idle.
3. Check voltage between ECM terminal 12 and ground under the following conditions.

Condition	Voltage
Steering wheel: Being turned	0.5 - 4.5V
Steering wheel: Not being turned	0.4 - 0.8V



A

EC

C

D

E

F

G

H

I

J

K

L

M

N

O

P

# P0603 ECM POWER SUPPLY

< COMPONENT DIAGNOSIS >

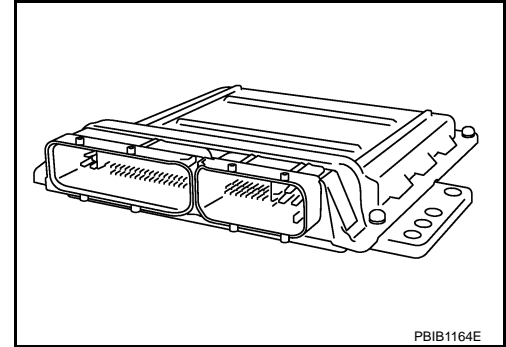
[VK56DE]

## P0603 ECM POWER SUPPLY

### Component Description

INFOID:000000003936714

Battery voltage is supplied to the ECM even when the ignition switch is turned OFF for the ECM memory function of the DTC memory, the air-fuel ratio feedback compensation value memory, the idle air volume learning value memory, etc.



### On Board Diagnosis Logic

INFOID:000000003936715

DTC No.	Trouble diagnosis name	DTC detecting condition	Possible cause
P0603 0603	ECM power supply circuit	ECM back up RAM system does not function properly.	<ul style="list-style-type: none"><li>• Harness or connectors [ECM power supply (back up) circuit is open or shorted.]</li><li>• ECM</li></ul>

### DTC Confirmation Procedure

INFOID:000000003936716

1. If DTC Confirmation Procedure has been previously conducted, always perform the following procedure before conducting the next step.
  - a. Turn ignition switch OFF and wait at least 10 seconds.
  - b. Turn ignition switch ON.
  - c. Turn ignition switch OFF and wait at least 10 seconds.
2. Start engine and let it idle for 1 second.
3. Turn ignition switch OFF, wait at least 10 seconds and then turn it ON.
4. Repeat steps 2 to 3 for 4 times.
5. Check 1st trip DTC.
6. If 1st trip DTC is detected, go to [EC-770. "Diagnosis Procedure"](#).

### Diagnosis Procedure

INFOID:000000003936717

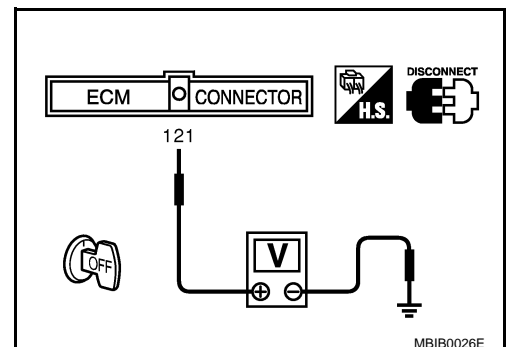
#### 1. CHECK ECM POWER SUPPLY

1. Turn ignition switch OFF.
2. Disconnect ECM harness connector.
3. Check voltage between ECM terminal 121 and ground with CONSULT-III or tester.

**Voltage: Battery voltage**

OK or NG

- OK >> GO TO 3.  
NG >> GO TO 2.



#### 2. DETECT MALFUNCTIONING PART

Check the following.

# P0603 ECM POWER SUPPLY

[VK56DE]

## < COMPONENT DIAGNOSIS >

- IPDM E/R connector E121
- 20 A fuse (No. 53)
- Harness for open or short between ECM and battery

>> Repair or replace harness or connectors.

### 3.CHECK INTERMITTENT INCIDENT

Refer to [GI-49, "Intermittent Incident"](#).

#### OK or NG

- OK >> GO TO 4.
- NG >> Repair or replace harness or connectors.

### 4.PERFORM DTC CONFIRMATION PROCEDURE

1. Turn ignition switch ON.
2. Erase DTC. Refer to [EC-525, "Emission-related Diagnostic Information"](#).
3. Perform DTC Confirmation Procedure. Refer to [EC-770, "DTC Confirmation Procedure"](#).
4. Is the 1st trip DTC P0603 displayed again?

#### Yes or No

- Yes >> GO TO 5.
- No >> **INSPECTION END**

### 5.REPLACE ECM

1. Replace ECM.
2. Perform initialization of NVIS(NATS) system and registration of all NVIS(NATS) ignition key IDs. Refer to [SEC-8, "ECM RE-COMMUNICATING FUNCTION : Special Repair Requirement"](#) (with intelligent key system) or [SEC-124, "ECM RE-COMMUNICATING FUNCTION : Special Repair Requirement"](#) (without intelligent key system).
3. Perform [EC-499, "VIN Registration"](#).
4. Perform [EC-500, "Accelerator Pedal Released Position Learning"](#).
5. Perform [EC-500, "Throttle Valve Closed Position Learning"](#).
6. Perform [EC-500, "Idle Air Volume Learning"](#).

>> **INSPECTION END**

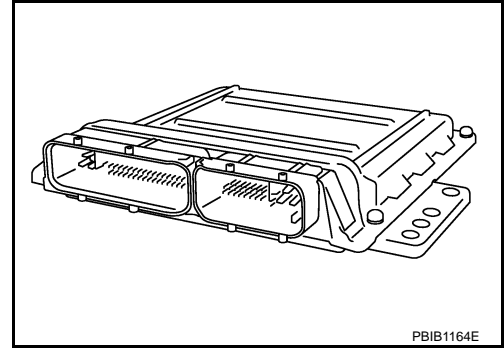
A  
EC  
C  
D  
E  
F  
G  
H  
I  
J  
K  
L  
M  
N  
O  
P

P0605 ECM

Component Description

INFOID:000000003936718

The ECM consists of a microcomputer and connectors for signal input and output and for power supply. The ECM controls the engine.



On Board Diagnosis Logic

INFOID:000000003936719

This self-diagnosis has one or two trip detection logic.

DTC No.	Trouble diagnosis name	DTC detecting condition		Possible cause
P0605 0605	Engine control module	A)	ECM calculation function is malfunctioning.	• ECM
		B)	ECM EEPROM system is malfunctioning.	
		C)	ECM self shut-off function is malfunctioning.	

FAIL-SAFE MODE

ECM enters fail-safe mode when the malfunction A is detected.

Detected items	Engine operation condition in fail-safe mode
Malfunction A	<ul style="list-style-type: none"> <li>ECM stops the electric throttle control actuator control, throttle valve is maintained at a fixed opening (approx. 5 degrees) by the return spring.</li> <li>ECM deactivates ASCD operation.</li> </ul>

DTC Confirmation Procedure

INFOID:000000003936720

Perform **PROCEDURE FOR MALFUNCTION A** first. If the 1st trip DTC cannot be confirmed, perform **PROCEDURE FOR MALFUNCTION B**. If there is no malfunction on **PROCEDURE FOR MALFUNCTION B**, perform **PROCEDURE FOR MALFUNCTION C**.

NOTE:

If DTC Confirmation Procedure has been previously conducted, always perform the following procedure before conducting the next step.

1. Turn ignition switch OFF and wait at least 10 seconds.
2. Turn ignition switch ON.
3. Turn ignition switch OFF and wait at least 10 seconds.

PROCEDURE FOR MALFUNCTION A

1. Turn ignition switch ON.
2. Check 1st trip DTC.
3. If 1st trip DTC is detected, go to [EC-773. "Diagnosis Procedure"](#).

PROCEDURE FOR MALFUNCTION B

1. Turn ignition switch ON and wait at least 1 second.
2. Turn ignition switch OFF, wait at least 10 seconds and then turn it ON.
3. Check 1st trip DTC.
4. If 1st trip DTC is detected, go to [EC-773. "Diagnosis Procedure"](#).

PROCEDURE FOR MALFUNCTION C

1. Turn ignition switch ON and wait at least 1 second.
2. Turn ignition switch OFF, wait at least 10 seconds and then turn it ON.
3. Repeat step 2 for 32 times.



< COMPONENT DIAGNOSIS >

- 4. Check 1st trip DTC.
- 5. If 1st trip DTC is detected, go to [EC-773, "Diagnosis Procedure"](#).

A

Diagnosis Procedure

INFOID:000000003936721

1.INSPECTION START

EC

- 1. Turn ignition switch ON.
- 2. Erase DTC. Refer to [EC-525, "Emission-related Diagnostic Information"](#).
- 3. Perform DTC Confirmation Procedure. Refer to [EC-772, "DTC Confirmation Procedure"](#).
- 4. Is the 1st trip DTC P0605 displayed again?

C

Yes or No

D

- Yes >> GO TO 2.
- No >> **INSPECTION END**

2.REPLACE ECM

E

- 1. Replace ECM.
- 2. Perform initialization of NVIS(NATS) system and registration of all NVIS(NATS) ignition key IDs. Refer to [SEC-8, "ECM RE-COMMUNICATING FUNCTION : Special Repair Requirement"](#) (with intelligent key system) or [SEC-124, "ECM RE-COMMUNICATING FUNCTION : Special Repair Requirement"](#) (without intelligent key system).
- 3. Perform [EC-499, "VIN Registration"](#).
- 4. Perform [EC-500, "Accelerator Pedal Released Position Learning"](#).
- 5. Perform [EC-500, "Throttle Valve Closed Position Learning"](#).
- 6. Perform [EC-500, "Idle Air Volume Learning"](#).

F

G

H

>> **INSPECTION END**

I

J

K

L

M

N

O

P

P0607 ECM

Description

INFOID:000000004333334

CAN (Controller Area Network) is a serial communication line for real time application. It is an on-vehicle multiplex communication line with high data communication speed and excellent error detection ability. Many electronic control units are equipped onto a vehicle, and each control unit shares information and links with other control units during operation (not independent). In CAN communication, control units are connected with 2 communication lines (CAN H line, CAN L line) allowing a high rate of information transmission with less wiring. Each control unit transmits/receives data but selectively reads required data only.

On Board Diagnosis Logic

INFOID:000000003936490

**This self-diagnosis has the one trip detection logic.**

DTC No.	Trouble diagnosis name	DTC detecting condition	Possible cause
P0607 0607	CAN communication bus	When detecting error during the initial diagnosis of CAN controller of ECM.	• ECM

DTC Confirmation Procedure

INFOID:000000003936491

1. Turn ignition switch ON.
2. Check DTC.
3. If DTC is detected, go to [EC-774, "Diagnosis Procedure"](#).

Diagnosis Procedure

INFOID:000000003936492

1.INSPECTION START

1. Turn ignition switch ON.
2. Erase DTC. Refer to [EC-525, "Emission-related Diagnostic Information"](#).
3. Perform DTC Confirmation Procedure. Refer to [EC-774, "DTC Confirmation Procedure"](#).
4. Is the DTC P0607 displayed again?

Yes or No

- Yes >> GO TO 2.
- No >> **INSPECTION END**

2.REPLACE ECM

1. Replace ECM.
2. Perform initialization of NVIS(NATS) system and registration of all NVIS(NATS) ignition key IDs. Refer to [SEC-8, "ECM RE-COMMUNICATING FUNCTION : Special Repair Requirement"](#) (with intelligent key system) or [SEC-124, "ECM RE-COMMUNICATING FUNCTION : Special Repair Requirement"](#) (without intelligent key system).
3. Perform [EC-499, "VIN Registration"](#).
4. Perform [EC-500, "Accelerator Pedal Released Position Learning"](#).
5. Perform [EC-500, "Throttle Valve Closed Position Learning"](#).
6. Perform [EC-500, "Idle Air Volume Learning"](#).

**>> INSPECTION END**

# P0643 SENSOR POWER SUPPLY

< COMPONENT DIAGNOSIS >

[VK56DE]

## P0643 SENSOR POWER SUPPLY

### On Board Diagnosis Logic

INFOID:000000003936722

This self-diagnosis has the one trip detection logic.

DTC No.	Trouble diagnosis name	DTC detecting condition	Possible cause
P0643 0643	Sensor power supply circuit short	ECM detects that the voltage of power source for sensor is excessively low or high.	<ul style="list-style-type: none"> <li>• Harness or connectors (APP sensor 1 circuit is shorted.) (Battery current sensor circuit is shorted.) (EVAP control system pressure sensor circuit is shorted.) (PSP sensor circuit is shorted.) (Refrigerant pressure sensor circuit is shorted.)</li> <li>• Accelerator pedal position sensor</li> <li>• Battery current sensor</li> <li>• EVAP control system pressure sensor</li> <li>• Power steering pressure sensor</li> <li>• Refrigerant pressure sensor</li> </ul>

### FAIL-SAFE MODE

When the malfunction is detected, ECM enters fail-safe mode and the MIL illuminates.

Engine operation condition in fail-safe mode

ECM stops the electric throttle control actuator control, throttle valve is maintained at a fixed opening (approx. 5 degrees) by the return spring.

### DTC Confirmation Procedure

INFOID:000000003936723

#### NOTE:

If DTC Confirmation Procedure has been previously conducted, always perform the following procedure before conducting the next step.

1. Turn ignition switch OFF and wait at least 10 seconds.
2. Turn ignition switch ON.
3. Turn ignition switch OFF and wait at least 10 seconds.

#### TESTING CONDITION:

Before performing the following procedure, confirm that battery voltage is more than 10 V at idle.

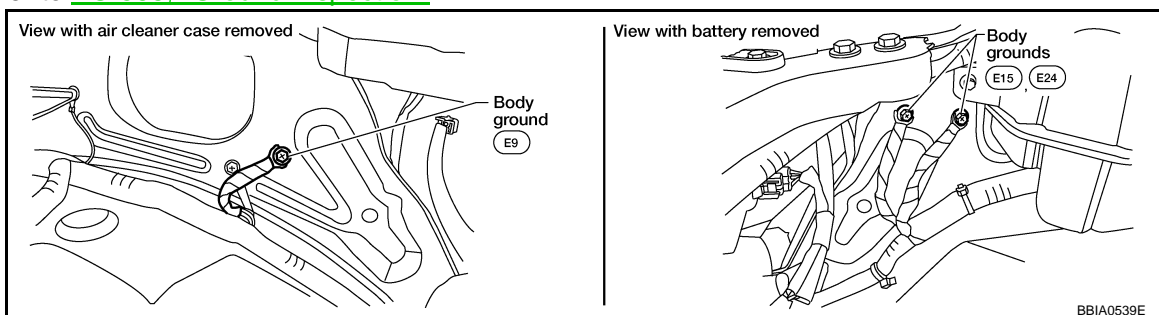
1. Start engine and let it idle for 1 second.
2. Check DTC.
3. If DTC is detected, go to [EC-775, "Diagnosis Procedure"](#).

### Diagnosis Procedure

INFOID:000000003936724

#### 1. CHECK GROUND CONNECTIONS

1. Turn ignition switch OFF.
2. Loosen and retighten ground screws on the body.  
Refer to [EC-568, "Ground Inspection"](#).



BBIA0539E

OK or NG

OK >> GO TO 2.

# P0643 SENSOR POWER SUPPLY

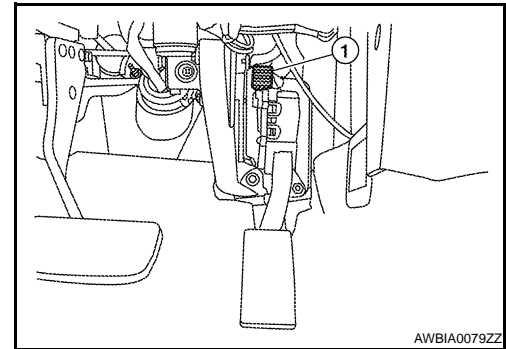
[VK56DE]

## < COMPONENT DIAGNOSIS >

NG >> Repair or replace ground connections.

### 2.CHECK APP SENSOR 1 POWER SUPPLY CIRCUIT

1. Disconnect accelerator pedal position (APP) sensor (1) harness connector.
2. Turn ignition switch ON.

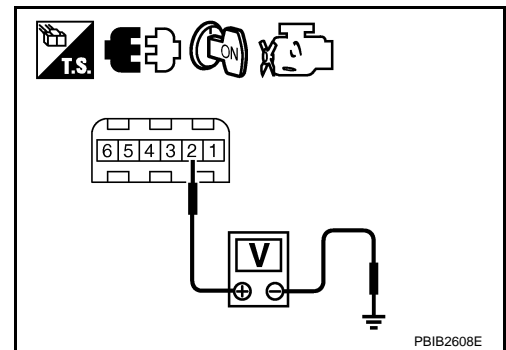


3. Check voltage between APP sensor terminal 2 and ground with CONSULT-III or tester.

**Voltage: Approximately 5 V**

#### OK or NG

- OK >> GO TO 5.  
NG >> GO TO 3.



### 3.CHECK SENSOR POWER SUPPLY CIRCUITS

Check harness for short to power and short to ground, between the following terminals

ECM terminal	Sensor terminal	Reference Wiring Diagram
48	EVAP control system pressure sensor terminal 3	<a href="#">EC-899, "Wiring Diagram - ENGINE CONTROL SYSTEM -"</a>
49	Refrigerant pressure sensor terminal 1	
	Battery current sensor terminal 1	
68	Power steering pressure sensor terminal 1	
90	APP sensor terminal 2	

#### OK or NG

- OK >> GO TO 4.  
NG >> Repair short to ground or short to power in harness or connectors.

### 4.CHECK COMPONENTS

Check the following.

- EVAP control system pressure sensor (Refer to [EC-730, "Component Inspection"](#).)
- Power steering pressure sensor (Refer to [EC-769, "Component Inspection"](#).)
- Battery current sensor (Refer to [EC-798, "Component Inspection"](#).)
- Refrigerant pressure sensor. (Refer to [EC-884, "Diagnosis Procedure"](#).)

#### OK or NG

- OK >> GO TO 7.  
NG >> Replace malfunctioning components.

### 5.CHECK ACCELERATOR PEEDAL POSITION SENSOR

Refer to [EC-839, "Component Inspection"](#).

#### OK or NG

- OK >> GO TO 7.  
NG >> GO TO 6.

# P0643 SENSOR POWER SUPPLY

< COMPONENT DIAGNOSIS >

[VK56DE]

## 6. REPLACE ACCELERATOR PEDAL ASSEMBLY

1. Replace accelerator pedal position assembly.
2. Perform [EC-500, "Accelerator Pedal Released Position Learning"](#).
3. Perform [EC-500, "Throttle Valve Closed Position Learning"](#).
4. Perform [EC-500, "Idle Air Volume Learning"](#).

>> INSPECTION END

## 7. CHECK INTERMITTENT INCIDENT

Refer to [GI-49, "Intermittent Incident"](#).

>> INSPECTION END

A

EC

C

D

E

F

G

H

I

J

K

L

M

N

O

P

# P0850 PNP SWITCH

[VK56DE]

< COMPONENT DIAGNOSIS >

## P0850 PNP SWITCH

### Component Description

INFOID:000000003936725

When the selector lever position is P or N, park/neutral position (PNP) signal is sent to ECM from TCM via combination meter (unified meter control unit).

### On Board Diagnosis Logic

INFOID:000000003936726

DTC No.	Trouble diagnosis name	DTC detecting condition	Possible cause
P0850 0850	Park/neutral position switch	The park/neutral position (PNP) signal does not change during driving after engine is started.	<ul style="list-style-type: none"> <li>• Harness or connectors [The park/neutral position (PNP) signal circuit is open or shorted.]</li> <li>• Combination meter (unified meter control unit)</li> <li>• TCM</li> </ul>

### DTC Confirmation Procedure

INFOID:000000003936727

#### CAUTION:

**Always drive vehicle at a safe speed.**

#### NOTE:

If DTC Confirmation Procedure has been previously conducted, always perform the following procedure before conducting the next step.

1. Turn ignition switch OFF and wait at least 10 seconds.
2. Turn ignition switch ON.
3. Turn ignition switch OFF and wait at least 10 seconds.

#### Ⓟ WITH CONSULT-III

1. Turn ignition switch ON.
2. Select "P/N POSI SW" in "DATA MONITOR" mode with CONSULT-III. Then check the "P/N POSI SW" indication under the following conditions.

Selector lever position	Known-good signal
N or P position	ON
Except the above position	OFF

If NG, go to [EC-779, "Diagnosis Procedure"](#).

If OK, go to following step.

3. Select "DATA MONITOR" mode with CONSULT-III.
4. Start engine and warm it up to normal operating temperature.
5. Maintain the following conditions for at least 60 consecutive seconds.

ENG SPEED	1,050 - 6,375 rpm
COOLAN TEMP/S	More than 70°C (158°F)
B/FUEL SCHDL	3.5 - 31.8 msec
VHCL SPEED SE	More than 64 km/h (40 MPH)
Selector lever	Suitable position

6. Check 1st trip DTC.
7. If 1st trip DTC is detected, go to [EC-779, "Diagnosis Procedure"](#).

### Overall Function Check

INFOID:000000003936728

Use this procedure to check the overall function of the park/neutral position (PNP) signal circuit. During this check, a 1st trip DTC might not be confirmed.

#### Ⓟ WITH GST

1. Turn ignition switch ON.

# P0850 PNP SWITCH

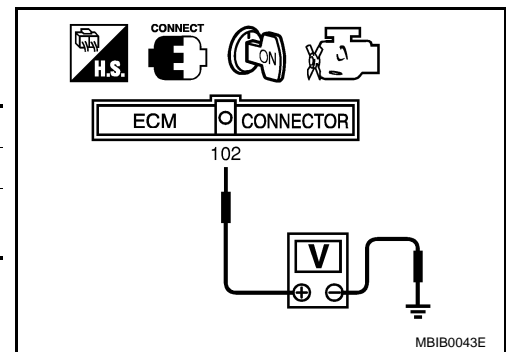
[VK56DE]

## < COMPONENT DIAGNOSIS >

2. Check voltage between ECM terminal 102 (PNP signal) and ground under the following conditions.

Selector lever position	Voltage (Known good data)
P or N position	Approx. 0 V
Except the above position	BATTERY VOLTAGE (11 - 14 V)

3. If NG, go to [EC-779, "Diagnosis Procedure"](#).



INFOID:000000003936729

## Diagnosis Procedure

### 1. CHECK DTC WITH TCM

Refer to [TM-34, "OBD-II Diagnostic Trouble Code \(DTC\)"](#).

#### OK or NG

- OK >> GO TO 2.
- NG >> Repair or replace malfunctioning part.

### 2. CHECK STARTING SYSTEM

Turn ignition switch OFF, then turn it to START.

#### Does starter motor operate?

#### Yes or No

- Yes >> GO TO 3.
- No >> Refer to [STR-5, "Work Flow"](#).

### 3. CHECK PNP SIGNAL CIRCUIT FOR OPEN AND SHORT

1. Turn ignition switch OFF.
2. Disconnect ECM harness connector.
3. Disconnect combination meter harness connector.
4. Check harness continuity between ECM terminal 102 and combination meter terminal 7.  
Refer to Wiring Diagram.

**Continuity should exist.**

5. Also check harness for short to ground and short to power.

#### OK or NG

- OK >> GO TO 5.
- NG >> GO TO 4.

### 4. DETECT MALFUNCTIONING PART

Check the following.

- Harness connectors M31, E152
- Harness for open or short between ECM and combination meter

>> Repair open circuit or short to ground or short to power in harness or connectors.

### 5. CHECK INTERMITTENT INCIDENT

Refer to [GI-49, "Intermittent Incident"](#).

#### OK or NG

- OK >> GO TO 6.
- NG >> Repair or replace malfunctioning part.

### 6. REPLACE COMBINATION METER FUNCTION

Refer to [MWI-94, "Removal and Installation"](#).

>> INSPECTION END

# P1140, P1145 IVT CONTROL POSITION SENSOR

< COMPONENT DIAGNOSIS >

[VK56DE]

## P1140, P1145 IVT CONTROL POSITION SENSOR

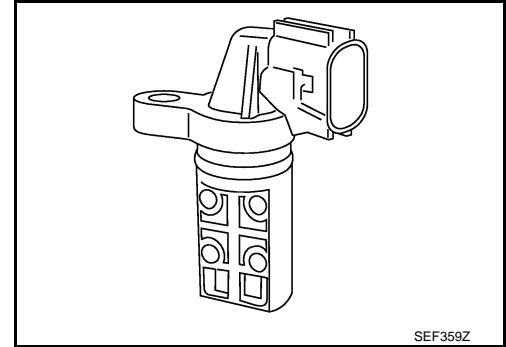
### Component Description

INFOID:000000003936730

Intake valve timing control position sensors are located in the front of cylinder heads in both bank 1 and bank 2.

This sensor uses a Hall IC.

The cam position is determined by the intake camshaft sprocket concave (in four places). The ECM provides feedback to the intake valve timing control for appropriate target valve open-close timing according to drive conditions based on detected cam position.



### On Board Diagnosis Logic

INFOID:000000003936731

DTC No.	Trouble diagnosis name	DTC detecting condition	Possible cause
P1140 1140 (Bank 1)	Intake valve timing control position sensor circuit	An excessively high or low voltage from the sensor is sent to ECM.	<ul style="list-style-type: none"> <li>• Harness or connectors (Intake valve timing control position sensor circuit is open or shorted)</li> <li>• Intake valve timing control position sensor</li> <li>• Crankshaft position sensor (POS)</li> <li>• Camshaft position sensor (PHASE)</li> <li>• Accumulation of debris to the signal pick-up portion of the camshaft sprocket</li> </ul>
P1145 1145 (Bank 2)			

### DTC Confirmation Procedure

INFOID:000000003936732

1. If DTC Confirmation Procedure has been previously conducted, always perform the following procedure before conducting the next step.
  - a. Turn ignition switch OFF and wait at least 10 seconds.
  - b. Turn ignition switch ON.
  - c. Turn ignition switch OFF and wait at least 10 seconds.
2. Turn ignition switch ON.
3. Select "DATA MONITOR" mode with CONSULT-III.
4. Maintain the following conditions for at least 10 seconds.

Engine speed	More than idle speed
Selector lever	P or N position

5. Check 1st trip DTC.
6. If 1st trip DTC is detected, go to [EC-780, "Diagnosis Procedure"](#).

### Diagnosis Procedure

INFOID:000000003936733

#### 1. CHECK GROUND CONNECTIONS

1. Turn ignition switch OFF.
2. Loosen and retighten ground screws on the body.

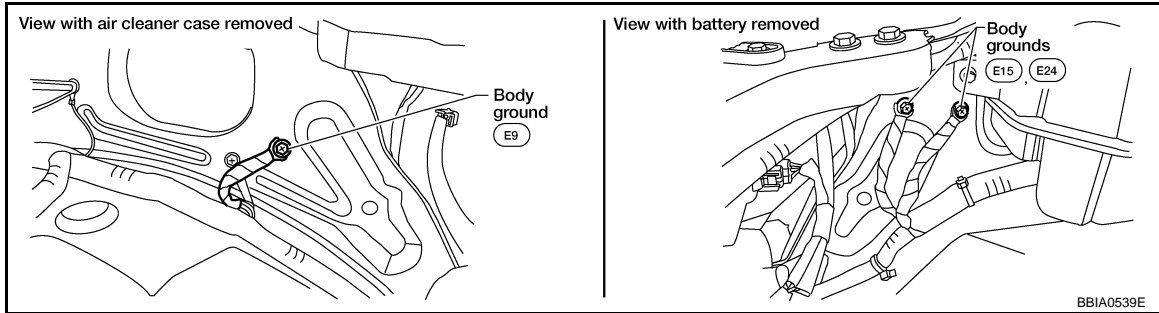


# P1140, P1145 IVT CONTROL POSITION SENSOR

< COMPONENT DIAGNOSIS >

[VK56DE]

Refer to [EC-568](#), "Ground Inspection".



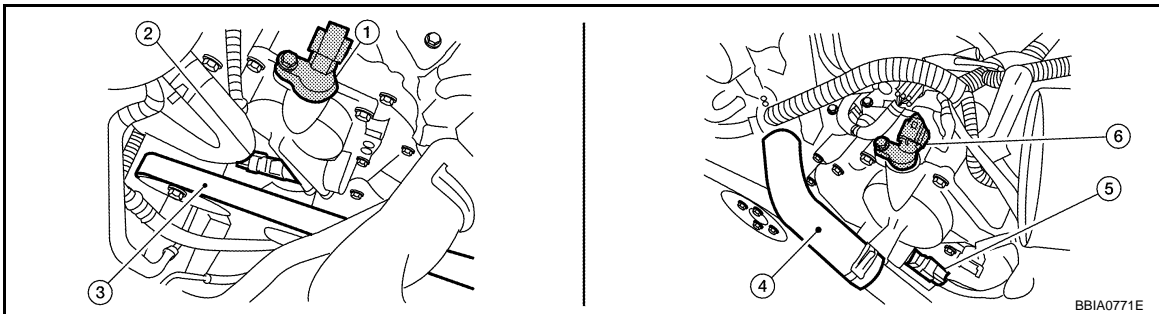
OK or NG

OK >> GO TO 2.

NG >> Repair or replace ground connections.

## 2. CHECK INTAKE VALVE TIMING CONTROL POSITION SENSOR POWER SUPPLY CIRCUIT

1. Disconnect intake valve timing control position sensor harness connector.



- |   |  |   |
|---|--|---|
| 1. Intake valve timing control position sensor (bank 2) | 2. Intake valve timing control solenoid valve (bank 2) | 3. Drive belt   |
| 4. Radiator hose  | 5. Intake valve timing control solenoid valve (bank 1) | 6. Intake valve timing control position sensor (bank 1) |

2. Turn ignition switch ON.

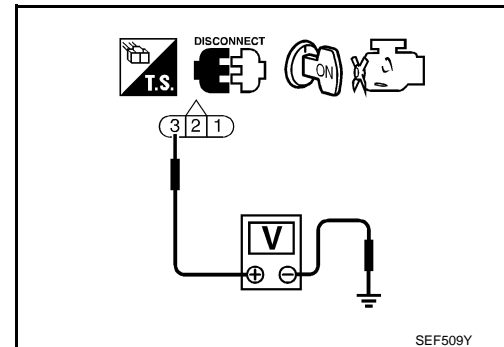
3. Check voltage between intake valve timing control position sensor terminal 3 and ground with CONSULT-III or tester.

**Voltage: Battery voltage**

OK or NG

OK >> GO TO 4.

NG >> GO TO 3.



## 3. DETECT MALFUNCTIONING PART

Check the following.

- Harness connectors E2, F32
- IPDM E/R harness connector E19
- Harness for open or short between intake valve timing control position sensor and IPDM E/R
- Harness for open or short between intake valve timing control position sensor and ECM

>> Repair open circuit or short to ground or short to power in harness or connectors.

## 4. CHECK INTAKE VALVE TIMING CONTROL POSITION SENSOR GROUND CIRCUIT FOR OPEN AND SHORT

1. Turn ignition switch OFF.

# P1140, P1145 IVT CONTROL POSITION SENSOR

[VK56DE]

## < COMPONENT DIAGNOSIS >

2. Check harness continuity between intake valve timing control position sensor terminal 1 and ground. Refer to Wiring Diagram.

**Continuity should exist.**

3. Also check harness for short to power.

### OK or NG

OK >> GO TO 6.

NG >> GO TO 5.

## 5. DETECT MALFUNCTIONING PART

Check the following.

- Harness connectors E2, F32
- Harness for open or short between intake valve timing control position sensor and ground

>> Repair open circuit or short to power in harness or connectors.

## 6. CHECK INTAKE VALVE TIMING CONTROL POSITION SENSOR INPUT SIGNAL CIRCUIT FOR OPEN AND SHORT

1. Disconnect ECM harness connector.
2. Check harness continuity between the following;  
ECM terminal 72 and intake valve timing control position sensor (bank 1) terminal 2 or  
ECM terminal 53 and intake valve timing control position sensor (bank 2) terminal 2.  
Refer to Wiring Diagram.

**Continuity should exist.**

3. Also check harness for short to ground and short to power.

### OK or NG

OK >> GO TO 7.

NG >> Repair open circuit or short to ground or short to power in harness or connectors.

## 7. CHECK INTAKE VALVE TIMING CONTROL POSITION SENSOR

Refer to [EC-783, "Component Inspection"](#).

### OK or NG

OK >> GO TO 8.

NG >> Replace malfunctioning intake valve timing control position sensor.

## 8. CHECK CRANKSHAFT POSITION SENSOR (POS)

Refer to [EC-689, "Component Inspection"](#).

### OK or NG

OK >> GO TO 9.

NG >> Replace crankshaft position sensor (POS).

## 9. CHECK CAMSHAFT POSITION SENSOR (PHASE)

Refer to [EC-693, "Component Inspection"](#).

### OK or NG

OK >> GO TO 10.

NG >> Replace camshaft position sensor (PHASE).

## 10. CHECK CAMSHAFT SPROCKET

Check accumulation of debris to the signal pick-up portion of the camshaft sprocket. Refer to [EM-204, "Inspection after Installation"](#).

### OK or NG

OK >> GO TO 11.

NG >> Remove debris and clean the signal pick-up cutout of camshaft sprocket.

## 11. CHECK INTERMITTENT INCIDENT

# P1140, P1145 IVT CONTROL POSITION SENSOR

< COMPONENT DIAGNOSIS >

[VK56DE]

Refer to [GI-49. "Intermittent Incident"](#).

>> INSPECTION END

## Component Inspection

INFOID:000000003936734

A

EC

### INTAKE VALVE TIMING CONTROL POSITION SENSOR

1. Disconnect intake valve timing control position sensor harness connector.
2. Loosen the fixing bolt of the sensor.
3. Remove the sensor.
4. Visually check the sensor for chipping.

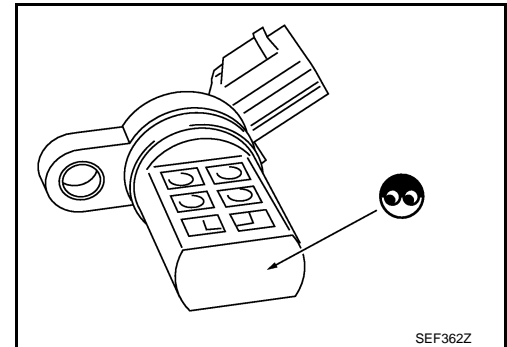
C

D

E

F

G



5. Check resistance as shown below.

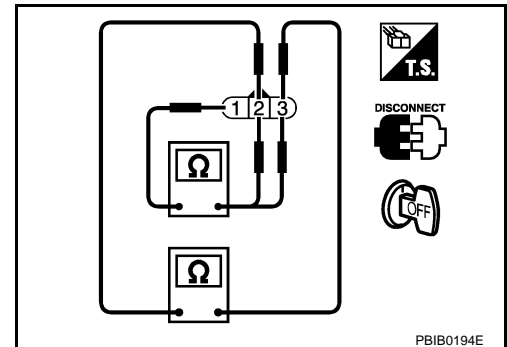
Terminal No. (Polarity)	Resistance [at 25°C (77°F)]
3 (+) - 1 (-)	Except 0 or $\infty$ $\Omega$
2 (+) - 1 (-)	
3 (+) - 2 (-)	

H

I

J

6. If NG, replace intake valve timing control position sensor.



K

L

M

N

O

P

# P1148, P1168 CLOSED LOOP CONTROL

< COMPONENT DIAGNOSIS >

[VK56DE]

## P1148, P1168 CLOSED LOOP CONTROL

### On Board Diagnosis Logic

INFOID:000000003936735

**These self-diagnoses have the one trip detection logic.**

DTC No.	Trouble diagnosis name	DTC detecting condition	Possible cause
P1148 1148 (Bank 1)	Closed loop control function	The closed loop control function for bank 1 does not operate even when vehicle is being driven in the specified condition.	<ul style="list-style-type: none"><li>• Harness or connectors [The air fuel ratio (A/F) sensor 1 circuit is open or shorted.]</li><li>• Air fuel ratio (A/F) sensor 1</li><li>• Air fuel ratio (A/F) sensor 1 heater</li></ul>
P1168 1168 (Bank 2)		The closed loop control function for bank 2 does not operate even when vehicle is being driven in the specified condition.	

DTC P1148 or P1168 is displayed with another DTC for air fuel ratio (A/F) sensor 1.  
Perform the trouble diagnosis for the corresponding DTC.

# P1211 TCS CONTROL UNIT

< COMPONENT DIAGNOSIS >

[VK56DE]

## P1211 TCS CONTROL UNIT

### Description

INFOID:000000003936736

The malfunction information related to TCS is transferred to ECM via the CAN communication line from “ABS actuator and electric unit (control unit)”.

**Always erase the malfunction information such as DTC not only for “ABS actuator and electric unit (control unit)” but also for ECM after TCS related repair.**

### On Board Diagnosis Logic

INFOID:000000003936737

**Freeze frame data is not stored in the ECM for this self-diagnosis.  
The MIL will not illuminate for this self-diagnosis.**

DTC No.	Trouble diagnosis name	DTC detecting condition	Possible cause
P1211 1211	TCS control unit	ECM receives a malfunction information from “ABS actuator electric unit (control unit)”	<ul style="list-style-type: none"><li>• ABS actuator and electric unit (control unit)</li><li>• TCS related parts</li></ul>

### DTC Confirmation Procedure

INFOID:000000003936738

#### TESTING CONDITION:

**Before performing the following procedure, confirm that battery voltage is more than 10.5 V at idle.**

1. Start engine and let it idle for at least 60 seconds.
2. Check 1st trip DTC.
3. If 1st trip DTC is detected, go to [EC-785. "Diagnosis Procedure"](#).

### Diagnosis Procedure

INFOID:000000003936739

Go to [BRC-8. "Work Flow"](#) or [BRC-137. "Work Flow"](#).

# P1212 TCS COMMUNICATION LINE

< COMPONENT DIAGNOSIS >

[VK56DE]

## P1212 TCS COMMUNICATION LINE

### Description

INFOID:000000003936740

#### NOTE:

- If DTC P1212 is displayed with DTC UXXXX, first perform the trouble diagnosis for DTC UXXXX.
- If DTC P1212 is displayed with DTC P0607, first perform the trouble diagnosis for DTC P0607. Refer to [EC-774, "DTC Confirmation Procedure"](#).

This CAN communication line is used to control the smooth engine operation during the TCS operation. Pulse signals are exchanged between ECM and "ABS actuator and electric unit (control unit)".

**Always erase the malfunction information such as DTC not only for "ABS actuator and electric unit (control unit)" but also for ECM after TCS related repair.**

### On Board Diagnosis Logic

INFOID:000000003936741

**Freeze frame data is not stored in the ECM for this self-diagnosis.  
The MIL will not illuminate for this self-diagnosis.**

DTC No.	Trouble diagnosis name	DTC detecting condition	Possible cause
P1212 1212	TCS communication line	ECM can not receive the information from "ABS actuator and electric unit (control unit)" continuously.	<ul style="list-style-type: none"><li>• Harness or connectors (The CAN communication line is open or shorted.)</li><li>• ABS actuator and electric unit (control unit)</li><li>• Dead (Weak) battery</li></ul>

### DTC Confirmation Procedure

INFOID:000000003936742

#### TESTING CONDITION:

**Before performing the following procedure, confirm that battery voltage is more than 10.5 V at idle.**

1. Start engine and let it idle for at least 10 seconds.
2. Check 1st trip DTC.
3. If 1st trip DTC is detected, go to [EC-786, "Diagnosis Procedure"](#).

### Diagnosis Procedure

INFOID:000000003936743

Go to [BRC-8, "Work Flow"](#) or [BRC-137, "Work Flow"](#).

# P1217 ENGINE OVER TEMPERATURE

< COMPONENT DIAGNOSIS >

[VK56DE]

## P1217 ENGINE OVER TEMPERATURE

### On Board Diagnosis Logic

INFOID:000000003936744

#### NOTE:

- If DTC P1217 is displayed with DTC UXXXX, first perform the trouble diagnosis for DTC UXXXX.
- If DTC P1217 is displayed with DTC P0607, first perform the trouble diagnosis for DTC P0607. Refer to [EC-774, "DTC Confirmation Procedure"](#).

If the cooling fan or another component in the cooling system malfunctions, engine coolant temperature will rise.

When the engine coolant temperature reaches an abnormally high temperature condition, a malfunction is indicated.

**This self-diagnosis has the one trip detection logic.**

DTC No.	Trouble diagnosis name	DTC detecting condition	Possible cause
P1217 1217	Engine over temperature (Overheat)	<ul style="list-style-type: none"><li>• Cooling fan does not operate properly (Overheat).</li><li>• Cooling fan system does not operate properly (Overheat).</li><li>• Engine coolant level was not added to the system using the proper filling method.</li><li>• Engine coolant is not within the specified range.</li></ul>	<ul style="list-style-type: none"><li>• Harness or connectors (The cooling fan circuit is open or shorted.)</li><li>• IPDM E/R</li><li>• Cooling fan</li><li>• Cooling fan (Crankshaft driven)</li><li>• Radiator hose</li><li>• Radiator</li><li>• Radiator cap</li><li>• Reservoir tank</li><li>• Reservoir tank cap</li><li>• Water pump</li><li>• Thermostat</li></ul> <p>For more information, refer to <a href="#">EC-789, "Main 12 Causes of Overheating"</a>.</p>

#### CAUTION:

When a malfunction is indicated, always replace the coolant. Refer to [CO-41, "Changing Engine Coolant"](#). Also, replace the engine oil. Refer to [LU-25, "Changing Engine Oil"](#).

1. Fill radiator with coolant up to specified level with a filling speed of 2 liters per minute. Always use coolant with the proper mixture ratio. Refer to [MA-13, "Engine Oil Recommendation"](#).
2. After refilling coolant, run engine to ensure that no water-flow noise is emitted.

### Overall Function Check

INFOID:000000003936745

Use this procedure to check the overall function of the cooling system. During this check, a DTC might not be confirmed.

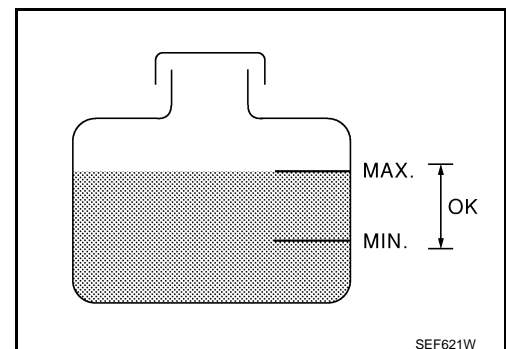
#### WARNING:

Never remove the radiator cap and/or reservoir tank cap when the engine is hot. Serious burns could be caused by high pressure fluid escaping from the radiator and/or reservoir tank.

Wrap a thick cloth around cap. Carefully remove the cap by turning it a quarter turn to allow built-up pressure to escape. Then turn the cap all the way off.

#### WITH CONSULT-II

1. Check the coolant level in the reservoir tank and radiator.  
**Allow engine to cool before checking coolant level.**  
If the coolant level in the reservoir tank and/or radiator is below the proper range, skip the following steps and go to [EC-788, "Diagnosis Procedure"](#).
2. Confirm whether customer filled the coolant or not. If customer filled the coolant, skip the following steps and go to [EC-788, "Diagnosis Procedure"](#).
3. Turn ignition switch ON.
4. Perform "COOLING FAN" in "ACTIVE TEST" mode with CONSULT-II.
5. If the results are NG, go to [EC-788, "Diagnosis Procedure"](#).



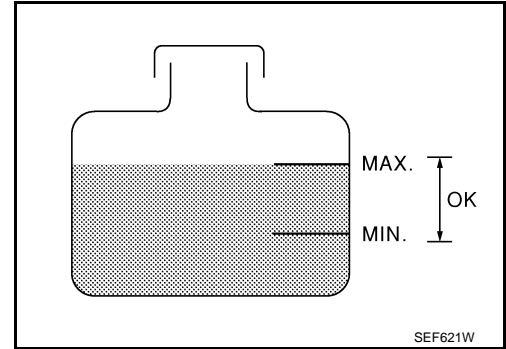
# P1217 ENGINE OVER TEMPERATURE

[VK56DE]

## < COMPONENT DIAGNOSIS >

### WITH GST

1. Check the coolant level in the reservoir tank and radiator.  
**Allow engine to cool before checking coolant level.**  
If the coolant level in the reservoir tank and/or radiator is below the proper range, skip the following steps and go to [EC-788, "Diagnosis Procedure"](#).
2. Confirm whether customer filled the coolant or not. If customer filled the coolant, skip the following steps and go to [EC-788, "Diagnosis Procedure"](#).
3. Perform IPDM E/R auto active test and check cooling fan motor operation, refer to [PCS-12, "Diagnosis Description"](#).
4. If NG, go to [EC-788, "Diagnosis Procedure"](#).



INFOID:000000003936746

## Diagnosis Procedure

### 1. CHECK COOLING FAN (CRANKSHAFT DRIVEN) OPERATION

1. Start engine and let it idle.
2. Make sure that cooling fan (crankshaft driven) operates normally.

#### OK or NG

OK (With CONSULT-II) >> GO TO 2.

OK (Without CONSULT-II) >> GO TO 3.

NG >> Check cooling fan (crankshaft driven). Refer to [CO-49, "Removal and Installation \(Crankshaft Driven Type\)"](#).

### 2. CHECK COOLING FAN OPERATION

#### With CONSULT-II

1. Start engine and let it idle.
2. Select "COOLING FAN" in "ACTIVE TEST" mode with CONSULT-II.
3. Make sure that cooling fan operates at each speed (LOW/HI).

#### OK or NG

OK >> GO TO 4.

NG >> Check cooling fan control circuit. (Go to [EC-862, "Diagnosis Procedure"](#).)

### 3. CHECK COOLING FAN OPERATION

#### Without CONSULT-II

1. Perform IPDM E/R auto active test and check cooling fan motors operation, refer to [PCS-12, "Diagnosis Description"](#).
2. Make sure that cooling fan operates at each speed (Low/High).

#### OK or NG

OK >> GO TO 4.

NG >> Check cooling fan control circuit. (Go to [EC-862, "Diagnosis Procedure"](#).)

### 4. CHECK COOLING SYSTEM FOR LEAK

Refer to [CO-40, "System Inspection"](#).

#### OK or NG

OK >> GO TO 5.

NG >> Check the following for leak. Refer to [CO-40, "System Inspection"](#).

- Hose
- Radiator
- Radiator cap
- Reservoir tank
- Water pump

### 5. CHECK RESERVOIR TANK CAP

Refer to [CO-40, "System Inspection"](#).

#### OK or NG



# P1217 ENGINE OVER TEMPERATURE

[VK56DE]

## < COMPONENT DIAGNOSIS >

- OK >> GO TO 6.
- NG >> Replace reservoir tank cap.

## 6. CHECK COMPONENT PARTS

Check the following

- Thermostat. Refer to [CO-54, "Removal and Installation"](#).
- Engine coolant temperature sensor. Refer to [EC-607, "Component Inspection"](#).

OK or NG

- OK >> GO TO 7.
- NG >> Replace malfunctioning component.

## 7. CHECK MAIN 12 CAUSES

If the cause cannot be isolated, go to [EC-789, "Main 12 Causes of Overheating"](#).

>> INSPECTION END

## Main 12 Causes of Overheating

INFOID:000000003936747

Engine	Step	Inspection item	Equipment	Standard	Reference page
OFF	1	<ul style="list-style-type: none"> <li>• Blocked radiator</li> <li>• Blocked condenser</li> <li>• Blocked radiator grille</li> <li>• Blocked bumper</li> </ul>	• Visual	No blocking	—
	2	• Coolant mixture	• Coolant tester	<a href="#">MA-13, "Engine Oil Recommendation"</a>	
	3	• Coolant level	• Visual	Coolant up to MAX level in reservoir tank and radiator filler neck	<a href="#">CO-41, "Changing Engine Coolant"</a>
	4	• Reservoir tank cap	• Pressure tester	<a href="#">CO-40, "System Inspection"</a>	
ON*2	5	• Coolant leakage	• Visual	No leakage	<a href="#">CO-40, "System Inspection"</a>
ON*2	6	• Thermostat	• Touch the upper and lower radiator hoses	Both hoses should be hot	<a href="#">CO-54, "Removal and Installation"</a>
ON*1	7	• Cooling fan	• CONSULT-II	Operating	See trouble diagnosis for DTC P1217 ( <a href="#">EC-862, "Diagnosis Procedure"</a> ).
ON*2	7	• Cooling fan (Crankshaft driven)	• Visual	Operating	See <a href="#">CO-49, "Removal and Installation (Crankshaft Driven Type)"</a> .
OFF	8	• Combustion gas leakage	• Color checker chemical tester 4 Gas analyzer	Negative	—
ON*3	9	• Coolant temperature gauge	• Visual	Gauge less than 3/4 when driving	—
		• Coolant overflow to reservoir tank	• Visual	No overflow during driving and idling	<a href="#">CO-41, "Changing Engine Coolant"</a>
OFF*4	10	• Coolant return from reservoir tank to radiator	• Visual	Should be initial level in reservoir tank	<a href="#">CO-41, "Changing Engine Coolant"</a>
OFF	11	• Cylinder head	• Straight gauge feeler gauge	0.1 mm (0.004 in) Maximum distortion (warping)	<a href="#">EM-214, "Inspection After Disassembly"</a>
	12	• Cylinder block and pistons	• Visual	No scuffing on cylinder walls or piston	<a href="#">EM-220, "Removal and Installation"</a>

\*1: Turn the ignition switch ON.

\*2: Engine running at 3,000 rpm for 10 minutes.

\*3: Drive at 90 km/h (56 MPH) for 30 minutes and then let idle for 10 minutes.

\*4: After 60 minutes of cool down time.

For more information, refer to [CO-38, "Troubleshooting Chart"](#).

# P1225 TP SENSOR

< COMPONENT DIAGNOSIS >

[VK56DE]

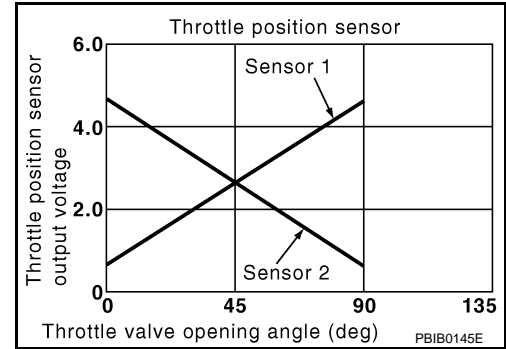
## P1225 TP SENSOR

### Component Description

INFOID:00000000433375

Electric throttle control actuator consists of throttle control motor, throttle position sensor, etc. The throttle position sensor responds to the throttle valve movement.

The throttle position sensor has the two sensors. These sensors are a kind of potentiometer which transform the throttle valve position into output voltage, and emit the voltage signals to the ECM. The ECM judges the current opening angle of the throttle valve from these signals and controls the throttle valve in response to driving conditions via the throttle control motor.



### On Board Diagnosis Logic

INFOID:000000003936749

**The MIL will not illuminate for this self-diagnosis.**

DTC No.	Trouble diagnosis name	DTC detecting condition	Possible cause
P1225 1225	Closed throttle position learning performance	Closed throttle position learning value is excessively low.	<ul style="list-style-type: none"><li>Electric throttle control actuator (TP sensor 1 and 2)</li></ul>

### DTC Confirmation Procedure

INFOID:000000003936750

#### NOTE:

If DTC Confirmation Procedure has been previously conducted, always perform the following procedure before conducting the next step.

1. Turn ignition switch OFF and wait at least 10 seconds.
2. Turn ignition switch ON.
3. Turn ignition switch OFF and wait at least 10 seconds.

#### TESTING CONDITION:

**Before performing the following procedure, confirm that battery voltage is more than 10 V at idle.**

1. Turn ignition switch ON.
2. Turn ignition switch OFF and wait at least 10 seconds.
3. Turn ignition switch ON.
4. Check 1st trip DTC.
5. If 1st trip DTC is detected, go to [EC-790, "Diagnosis Procedure"](#).

### Diagnosis Procedure

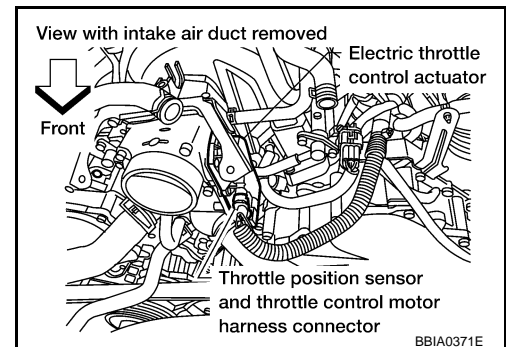
INFOID:000000003936751

#### 1. CHECK ELECTRIC THROTTLE CONTROL ACTUATOR VISUALLY

1. Turn ignition switch OFF.
2. Remove the intake air duct.
3. Check if foreign matter is caught between the throttle valve and the housing.

#### OK or NG

- OK >> GO TO 2.  
NG >> Remove the foreign matter and clean the electric throttle control actuator inside.



#### 2. REPLACE ELECTRIC THROTTLE CONTROL ACTUATOR

# P1225 TP SENSOR

< COMPONENT DIAGNOSIS >

[VK56DE]

1. Replace the electric throttle control actuator.
2. Perform [EC-500, "Throttle Valve Closed Position Learning"](#).
3. Perform [EC-500, "Idle Air Volume Learning"](#).

A

>> INSPECTION END

EC

C

D

E

F

G

H

I

J

K

L

M

N

O

P

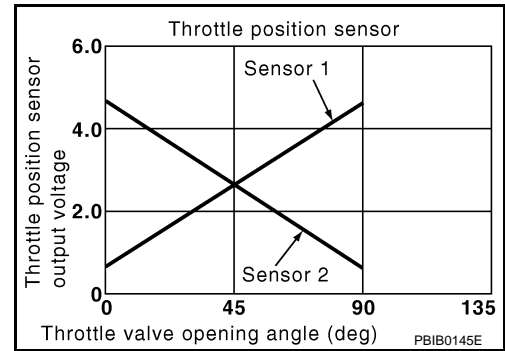
## P1226 TP SENSOR

### Component Description

INFOID:00000000433377

Electric throttle control actuator consists of throttle control motor, throttle position sensor, etc. The throttle position sensor responds to the throttle valve movement.

The throttle position sensor has the two sensors. These sensors are a kind of potentiometer which transform the throttle valve position into output voltage, and emit the voltage signals to the ECM. The ECM judges the current opening angle of the throttle valve from these signals and controls the throttle valve in response to driving conditions via the throttle control motor.



### On Board Diagnosis Logic

INFOID:000000003936753

**The MIL will not illuminate for this self-diagnosis.**

DTC No.	Trouble diagnosis name	DTC detecting condition	Possible cause
P1226 1226	Closed throttle position learning performance	Closed throttle position learning is not performed successfully, repeatedly.	<ul style="list-style-type: none"> <li>Electric throttle control actuator (TP sensor 1 and 2)</li> </ul>

### DTC Confirmation Procedure

INFOID:000000003936754

**NOTE:**

If DTC Confirmation Procedure has been previously conducted, always perform the following procedure before conducting the next step.

1. Turn ignition switch OFF and wait at least 10 seconds.
2. Turn ignition switch ON.
3. Turn ignition switch OFF and wait at least 10 seconds.

**TESTING CONDITION:**

**Before performing the following procedure, confirm that battery voltage is more than 10 V at idle.**

1. Turn ignition switch ON.
2. Turn ignition switch OFF and wait at least 10 seconds.
3. Turn ignition switch ON.
4. Repeat steps 2 and 3 for 32 times.
5. Check 1st trip DTC.
6. If 1st trip DTC is detected, go to [EC-792, "Diagnosis Procedure"](#).

### Diagnosis Procedure

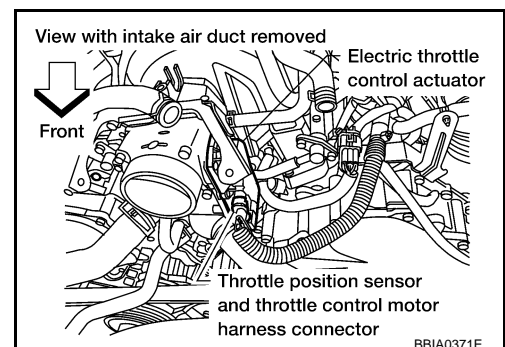
INFOID:00000000433378

#### 1. CHECK ELECTRIC THROTTLE CONTROL ACTUATOR VISUALLY

1. Turn ignition switch OFF.
2. Remove the intake air duct.
3. Check if foreign matter is caught between the throttle valve and the housing.

**OK or NG**

- OK >> GO TO 2.
- NG >> Remove the foreign matter and clean the electric throttle control actuator inside.



# P1226 TP SENSOR

< COMPONENT DIAGNOSIS >

[VK56DE]

## 2. REPLACE ELECTRIC THROTTLE CONTROL ACTUATOR

1. Replace the electric throttle control actuator.
2. Perform [EC-500, "Throttle Valve Closed Position Learning"](#).
3. Perform [EC-500, "Idle Air Volume Learning"](#).

>> INSPECTION END

A

EC

C

D

E

F

G

H

I

J

K

L

M

N

O

P

# P1421 COLD START CONTROL

< COMPONENT DIAGNOSIS >

[VK56DE]

## P1421 COLD START CONTROL

### Description

INFOID:000000003936756

ECM controls ignition timing and engine idle speed when engine is started with prewarming up condition. This control promotes the activation of three way catalyst by heating the catalyst and reduces emissions.

### On Board Diagnosis Logic

INFOID:000000003936757

**If DTC P1421 is displayed with other DTC, first perform the trouble diagnosis for other DTC.**

DTC No.	Trouble diagnosis name	DTC detecting condition	Possible cause
P1421 1421	Cold start emission reduction strategy monitoring	ECM does not control ignition timing and engine idle speed properly when engine is started with prewarming up condition.	<ul style="list-style-type: none"><li>• Lack of intake air volume</li><li>• Fuel injection system</li><li>• ECM</li></ul>

### DTC Confirmation Procedure

INFOID:000000003936758

#### NOTE:

If DTC Confirmation Procedure has been previously conducted, always perform the following procedure before conducting the next step.

1. Turn ignition switch OFF and wait at least 10 seconds.
2. Turn ignition switch ON.
3. Turn ignition switch OFF and wait at least 10 seconds.

#### TESTING CONDITION:

**Before performing the following procedure, confirm that battery voltage is more than 11 V at idle.**

#### ④ WITH CONSULT-III

1. Turn ignition switch OFF and wait at least 10 seconds.
2. Turn ignition switch ON.
3. Select "DATA MONITOR" mode with CONSULT-III.
4. Check that the "COOLAN TEMP/S" indication is between 4°C (39°F) and 36°C (97°F).  
If "COOLAN TEMP/S" indication is within the specified value, go to the following step.  
If "COOLAN TEMP/S" indication is out of the specified value, cool engine down or warm engine up and go to step 1.
5. Start engine and let it idle for 5 minutes.
6. Check 1st trip DTC.
7. If 1st trip DTC is detected, go to [EC-794, "Diagnosis Procedure"](#).

#### ④ WITH GST

Follow the procedure "WITH CONSULT-III" above.

### Diagnosis Procedure

INFOID:000000003936759

#### 1.PERFORM IDLE AIR VOLUME LEARNING

Perform [EC-500, "Idle Air Volume Learning"](#).

**Is Idle Air Volume Learning carried out successfully?**

Yes or No

- Yes >> GO TO 2.  
No >> Follow the instruction of Idle Air Volume Learning.

#### 2.CHECK INTAKE SYSTEM

Check for the cause of intake air volume lacking. Refer to the following.

- Crushed intake air passage
- Intake air passage clogging

OK or NG

- OK >> GO TO 3.  
NG >> Repair or replace malfunctioning part

# P1421 COLD START CONTROL

< COMPONENT DIAGNOSIS >

[VK56DE]

## 3. CHECK FUEL INJECTION SYSTEM FUNCTION

Perform [EC-657, "DTC Confirmation Procedure"](#) in DTC P0171, P0174 FUEL INJECTION SYSTEM FUNCTION.

OK or NG

OK >> GO TO 4.

NG >> Go to [EC-659, "Diagnosis Procedure"](#).

## 4. PERFORM DTC CONFIRMATION PROCEDURE

1. Turn ignition switch ON.
2. Erase DTC. Refer to [EC-525, "Emission-related Diagnostic Information"](#).
3. Perform DTC Confirmation Procedure. Refer to [EC-794, "DTC Confirmation Procedure"](#).
4. Is the 1st trip DTC P1421 displayed again?

Yes or No

Yes >> GO TO 5.

No >> **INSPECTION END**

## 5. REPLACE ECM

1. Replace ECM.
2. Perform initialization of NVIS (NATS) system and registration of all NVIS (NATS) ignition key IDs. Refer to [SEC-8, "ECM RE-COMMUNICATING FUNCTION : Special Repair Requirement"](#) (with intelligent key system) or [SEC-124, "ECM RE-COMMUNICATING FUNCTION : Special Repair Requirement"](#) (without intelligent key system).
3. Perform [EC-499, "VIN Registration"](#).
4. Perform [EC-500, "Accelerator Pedal Released Position Learning"](#).
5. Perform [EC-500, "Throttle Valve Closed Position Learning"](#).
6. Perform [EC-500, "Idle Air Volume Learning"](#).

>> **INSPECTION END**

A  
EC  
C  
D  
E  
F  
G  
H  
I  
J  
K  
L  
M  
N  
O  
P

# P1550 BATTERY CURRENT SENSOR

< COMPONENT DIAGNOSIS >

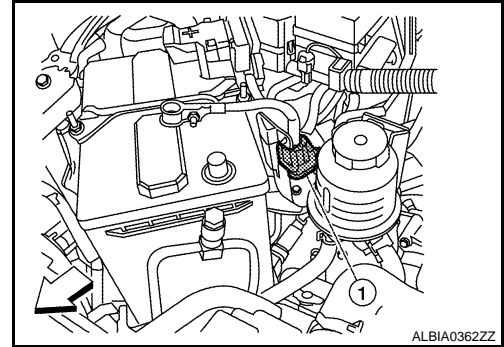
[VK56DE]

## P1550 BATTERY CURRENT SENSOR

### Component Description

INFOID:000000003936760

The power generation voltage variable control enables fuel consumption to be decreased by reducing the engine load which is caused by the power generation of the generator. The battery current sensor (1) is installed to the battery cable at the negative terminal. The sensor measures the charging/discharging current of the battery. Based on the sensor signal, ECM judges whether or not the power generation voltage variable control is performed. When performing the power generation voltage variable control, ECM calculates the target power generation voltage based on the sensor signal. And ECM sends the calculated value as the power generation command value to IPDM E/R. For the details of the power generation voltage variable control, refer to [CHG-7, "System Description"](#).



↔: Vehicle front

#### CAUTION:

**Never connect the electrical component or the ground wire directly to the battery terminal. The connection causes the malfunction of the power generation voltage variable control, and then the battery discharge may occur.**

### On Board Diagnosis Logic

INFOID:000000003936761

The MIL will not illuminate for this self-diagnosis.

#### NOTE:

If DTC P1550 is displayed with DTC P0643, first perform the trouble diagnosis for DTC P0643. Refer to [EC-775, "DTC Confirmation Procedure"](#).

DTC No.	Trouble diagnosis name	DTC detecting condition	Possible cause
P1550 1550	Battery current sensor circuit range/performance	The output voltage of the battery current sensor remains within the specified range while engine is running.	<ul style="list-style-type: none"><li>• Harness or connectors (The sensor circuit is open or shorted.)</li><li>• Battery current sensor</li></ul>

### DTC Confirmation Procedure

INFOID:000000003936762

#### NOTE:

If DTC Confirmation Procedure has been previously conducted, always perform the following procedure before conducting the next step.

1. Turn ignition switch OFF and wait at least 10 seconds.
2. Turn ignition switch ON.
3. Turn ignition switch OFF and wait at least 10 seconds.

#### TESTING CONDITION:

**Before performing the following procedure, confirm that battery voltage is more than 8 V at idle.**

1. Start engine and wait at least 10 seconds.
2. Check 1st trip DTC.
3. If 1st trip DTC is detected, go to [EC-796, "Diagnosis Procedure"](#).

### Diagnosis Procedure

INFOID:000000003936763

#### 1. CHECK GROUND CONNECTIONS

1. Turn ignition switch OFF.
2. Loosen and retighten ground screws on the body.

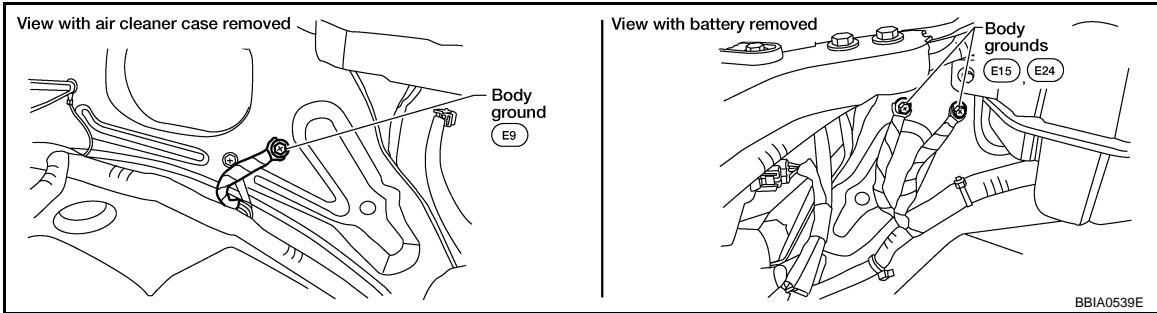


# P1550 BATTERY CURRENT SENSOR

< COMPONENT DIAGNOSIS >

[VK56DE]

Refer to [EC-568, "Ground Inspection"](#).



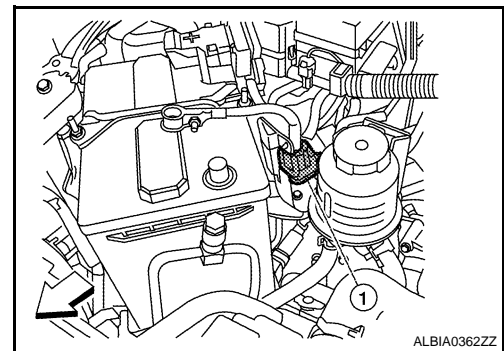
OK or NG

OK >> GO TO 2.

NG >> Repair or replace ground connections.

## 2. CHECK BATTERY CURRENT SENSOR POWER SUPPLY CIRCUIT

1. Disconnect battery current sensor (1) harness connector.
2. Turn ignition switch ON.  
↔: Vehicle front



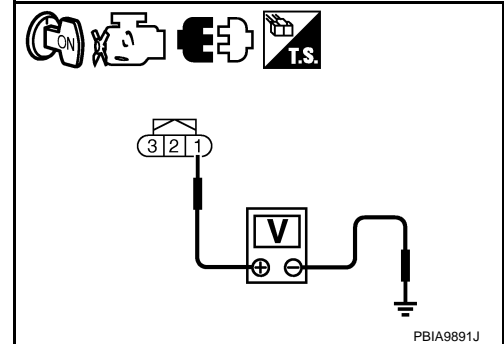
3. Check voltage between battery current sensor terminal 1 and ground with CONSULT-III or tester.

**Voltage: Approximately 5 V**

OK or NG

OK >> GO TO 4.

NG >> GO TO 3.



## 3. DETECT MALFUNCTIONING PART

Check the following.

- Harness connectors E5, F14
- Harness for open or short between battery current sensor and ECM

>> Repair open circuit or short to ground or short to power in harness or connectors.

## 4. CHECK BATTERY CURRENT SENSOR GROUND CIRCUIT FOR OPEN AND SHORT

1. Turn ignition switch OFF.
2. Disconnect ECM harness connector.
3. Check harness continuity between battery current sensor terminal 2 and ECM terminal 67.  
Refer to Wiring Diagram.

**Continuity should exist.**

4. Also check harness for short to ground and short to power.

OK or NG

OK >> GO TO 6.

NG >> GO TO 5.

# P1550 BATTERY CURRENT SENSOR

[VK56DE]

< COMPONENT DIAGNOSIS >

## 5. DETECT MALFUNCTIONING PART

Check the following.

- Harness connectors E5, F14
- Harness for open or short between battery current sensor and ECM

>> Repair open circuit or short to ground or short to power in harness or connectors.

## 6. CHECK BATTERY CURRENT SENSOR INPUT SIGNAL CIRCUIT FOR OPEN AND SHORT

1. Check harness continuity between battery current sensor terminal 3 and ECM terminal 71.  
Refer to Wiring Diagram.

**Continuity should exist.**

2. Also check harness for short to ground and short to power.

OK or NG

OK >> GO TO 8.

NG >> GO TO 7.

## 7. DETECT MALFUNCTIONING PART

Check the following.

- Harness connectors E2, F32
- Harness for open or short between battery current sensor and ECM

>> Repair open circuit or short to ground or short to power in harness or connectors.

## 8. CHECK BATTERY CURRENT SENSOR

Refer to [EC-798, "Component Inspection"](#).

OK or NG

OK >> GO TO 9.

NG >> Replace battery negative cable assembly.

## 9. CHECK INTERMITTENT INCIDENT

Refer to [GI-49, "Intermittent Incident"](#).

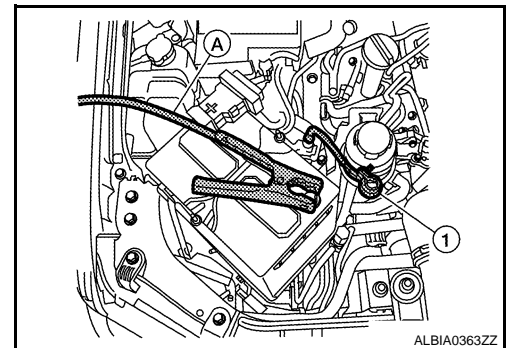
>> **INSPECTION END**

## Component Inspection

INFOID:000000003936764

### BATTERY CURRENT SENSOR

1. Reconnect harness connectors disconnected.
2. Disconnect battery negative cable (1).
3. Install jumper cable (A) between battery negative terminal and body ground.
4. Turn ignition switch ON.



# P1550 BATTERY CURRENT SENSOR

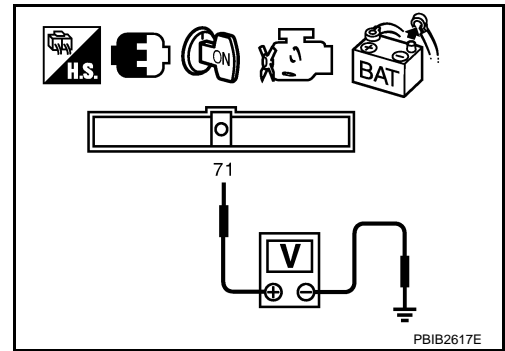
## < COMPONENT DIAGNOSIS >

[VK56DE]

5. Check voltage between ECM terminal 71 (battery current sensor signal) and ground.

**Voltage: Approximately 2.5 V**

6. If NG, replace battery negative cable assembly.



A

EC

C

D

E

F

G

H

I

J

K

L

M

N

O

P

# P1551, P1552 BATTERY CURRENT SENSOR

< COMPONENT DIAGNOSIS >

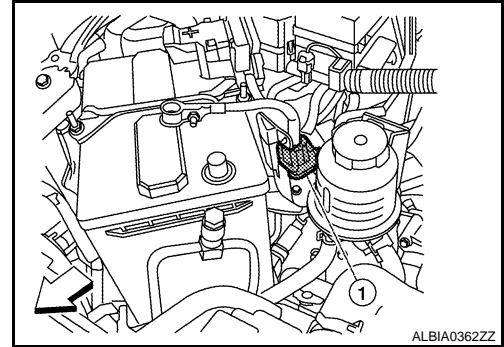
[VK56DE]

## P1551, P1552 BATTERY CURRENT SENSOR

### Component Description

INFOID:000000004333379

The power generation voltage variable control enables fuel consumption to be decreased by reducing the engine load which is caused by the power generation of the generator. The battery current sensor (1) is installed to the battery cable at the negative terminal. The sensor measures the charging/discharging current of the battery. Based on the sensor signal, ECM judges whether or not the power generation voltage variable control is performed. When performing the power generation voltage variable control, ECM calculates the target power generation voltage based on the sensor signal. And ECM sends the calculated value as the power generation command value to IPDM E/R. For the details of the power generation voltage variable control, refer to [CHG-7, "System Description"](#).



↔: Vehicle front

### CAUTION:

**Never connect the electrical component or the ground wire directly to the battery terminal. The connection causes the malfunction of the power generation voltage variable control, and then the battery discharge may occur.**

### On Board Diagnosis Logic

INFOID:0000000003936766

The MIL will not illuminate for these self-diagnoses.

### NOTE:

If DTC P1551 or P1552 is displayed with DTC P0643, first perform the trouble diagnosis for DTC P0643. Refer to [EC-775, "DTC Confirmation Procedure"](#)

DTC No.	Trouble diagnosis name	DTC detecting condition	Possible cause
P1551 1551	Battery current sensor circuit low input	An excessively low voltage from the sensor is sent to ECM.	• Harness or connectors (The sensor circuit is open or shorted.) • Battery current sensor
P1552 1552	Battery current sensor circuit high input	An excessively high voltage from the sensor is sent to ECM.	

### DTC Confirmation Procedure

INFOID:0000000003936767

### NOTE:

If DTC Confirmation Procedure has been previously conducted, always perform the following procedure before conducting the next step.

1. Turn ignition switch OFF and wait at least 10 seconds.
2. Turn ignition switch ON.
3. Turn ignition switch OFF and wait at least 10 seconds.

### TESTING CONDITION:

**Before performing the following procedure, confirm that battery voltage is more than 8 V with ignition switch ON**

1. Turn ignition switch ON.
2. Wait at least 10 seconds.
3. Check 1st trip DTC.
4. If 1st trip DTC is detected, go to [EC-800, "Diagnosis Procedure"](#).

### Diagnosis Procedure

INFOID:0000000004333385

#### 1. CHECK GROUND CONNECTIONS

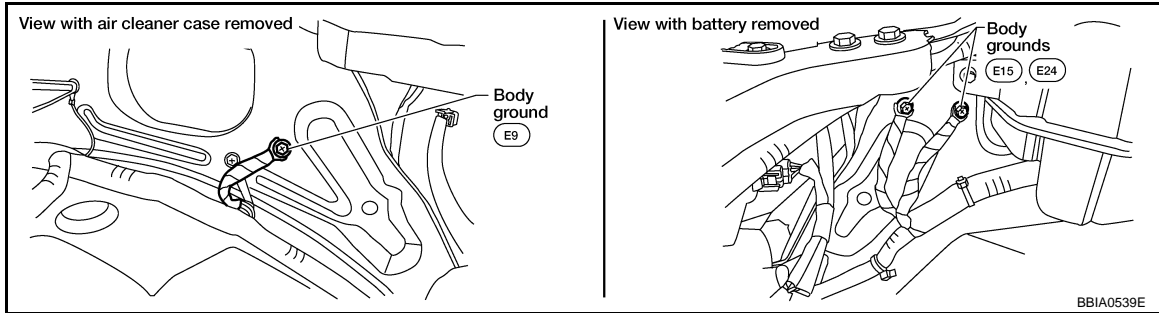
1. Turn ignition switch OFF.
2. Loosen and retighten ground screws on the body.

# P1551, P1552 BATTERY CURRENT SENSOR

< COMPONENT DIAGNOSIS >

[VK56DE]

Refer to [EC-568, "Ground Inspection"](#).



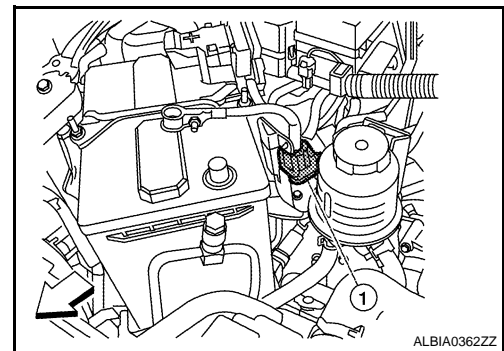
OK or NG

OK >> GO TO 2.

NG >> Repair or replace ground connections.

## 2. CHECK BATTERY CURRENT SENSOR POWER SUPPLY CIRCUIT

1. Disconnect battery current sensor (1) harness connector.
2. Turn ignition switch ON.  
↔: Vehicle front



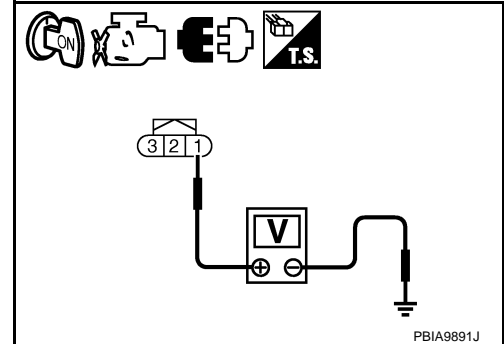
3. Check voltage between battery current sensor terminal 1 and ground with CONSULT-III or tester.

**Voltage: Approximately 5 V**

OK or NG

OK >> GO TO 4.

NG >> GO TO 3.



## 3. DETECT MALFUNCTIONING PART

Check the following.

- Harness connectors E5, F14
- Harness for open or short between battery current sensor and ECM

>> Repair open circuit or short to ground or short to power in harness or connectors.

## 4. CHECK BATTERY CURRENT SENSOR GROUND CIRCUIT FOR OPEN AND SHORT

1. Turn ignition switch OFF.
2. Disconnect ECM harness connector.
3. Check harness continuity between battery current sensor terminal 2 and ECM terminal 67.  
Refer to Wiring Diagram.

**Continuity should exist.**

4. Also check harness for short to ground and short to power.

OK or NG

OK >> GO TO 6.

NG >> GO TO 5.

# P1551, P1552 BATTERY CURRENT SENSOR

< COMPONENT DIAGNOSIS >

[VK56DE]

## 5. DETECT MALFUNCTIONING PART

Check the following.

- Harness connectors E5, F14
- Harness for open or short between battery current sensor and ECM

>> Repair open circuit or short to ground or short to power in harness or connectors.

## 6. CHECK BATTERY CURRENT SENSOR INPUT SIGNAL CIRCUIT FOR OPEN AND SHORT

1. Check harness continuity between battery current sensor terminal 3 and ECM terminal 71.  
Refer to Wiring Diagram.

**Continuity should exist.**

2. Also check harness for short to ground and short to power.

OK or NG

OK >> GO TO 8.

NG >> GO TO 7.

## 7. DETECT MALFUNCTIONING PART

Check the following.

- Harness connectors E2, F32
- Harness for open or short between battery current sensor and ECM

>> Repair open circuit or short to ground or short to power in harness or connectors.

## 8. CHECK BATTERY CURRENT SENSOR

Refer to [EC-802. "Component Inspection"](#).

OK or NG

OK >> GO TO 9.

NG >> Replace battery negative cable assembly.

## 9. CHECK INTERMITTENT INCIDENT

Refer to [GI-49. "Intermittent Incident"](#).

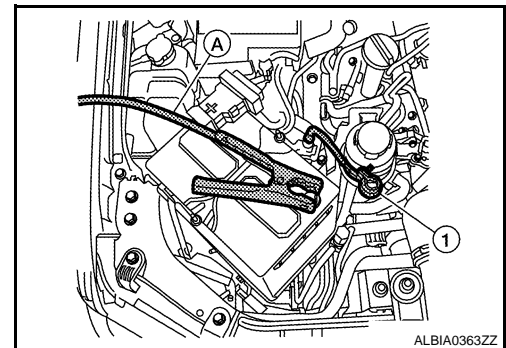
>> **INSPECTION END**

## Component Inspection

INFOID:000000004333382

### BATTERY CURRENT SENSOR

1. Reconnect harness connectors disconnected.
2. Disconnect battery negative cable (1).
3. Install jumper cable (A) between battery negative terminal and body ground.
4. Turn ignition switch ON.



# P1551, P1552 BATTERY CURRENT SENSOR

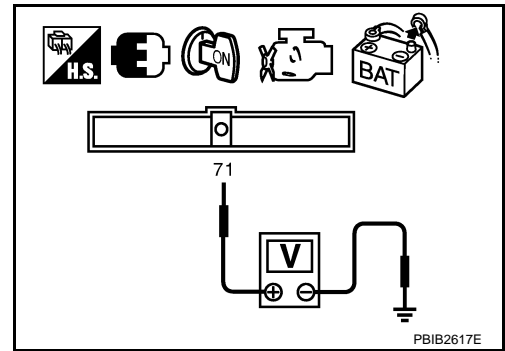
## < COMPONENT DIAGNOSIS >

[VK56DE]

5. Check voltage between ECM terminal 71 (battery current sensor signal) and ground.

**Voltage: Approximately 2.5 V**

6. If NG, replace battery negative cable assembly.



A

EC

C

D

E

F

G

H

I

J

K

L

M

N

O

P

# P1553 BATTERY CURRENT SENSOR

< COMPONENT DIAGNOSIS >

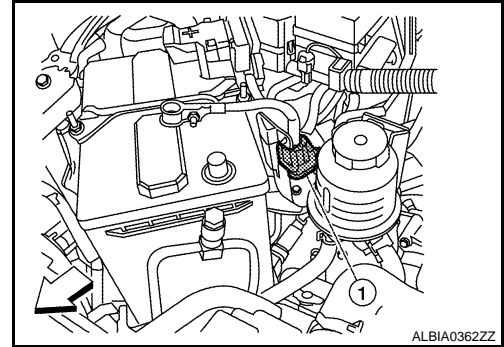
[VK56DE]

## P1553 BATTERY CURRENT SENSOR

### Component Description

INFOID:000000004333380

The power generation voltage variable control enables fuel consumption to be decreased by reducing the engine load which is caused by the power generation of the generator. The battery current sensor (1) is installed to the battery cable at the negative terminal. The sensor measures the charging/discharging current of the battery. Based on the sensor signal, ECM judges whether or not the power generation voltage variable control is performed. When performing the power generation voltage variable control, ECM calculates the target power generation voltage based on the sensor signal. And ECM sends the calculated value as the power generation command value to IPDM E/R. For the details of the power generation voltage variable control, refer to [CHG-7, "System Description"](#).



ALBIA0362ZZ

↔: Vehicle front

#### CAUTION:

**Never connect the electrical component or the ground wire directly to the battery terminal. The connection causes the malfunction of the power generation voltage variable control, and then the battery discharge may occur.**

### On Board Diagnosis Logic

INFOID:000000003936771

The MIL will not illuminate for this self-diagnosis.

#### NOTE:

If DTC P1553 is displayed with DTC P0643, first perform the trouble diagnosis for DTC P0643. Refer to [EC-775, "DTC Confirmation Procedure"](#).

DTC No.	Trouble diagnosis name	DTC detecting condition	Possible cause
P1553 1553	Battery current sensor performance	The signal voltage transmitted from the sensor to ECM is higher than the amount of the maximum power generation.	<ul style="list-style-type: none"><li>• Harness or connectors (The sensor circuit is open or shorted.)</li><li>• Battery current sensor</li></ul>

### DTC Confirmation Procedure

INFOID:000000003936772

#### NOTE:

If DTC Confirmation Procedure has been previously conducted, always perform the following procedure before conducting the next step.

1. Turn ignition switch OFF and wait at least 10 seconds.
2. Turn ignition switch ON.
3. Turn ignition switch OFF and wait at least 10 seconds.

#### TESTING CONDITION:

**Before performing the following procedure, confirm that battery voltage is more than 8 V at idle.**

1. Start engine and wait at least 10 seconds.
2. Check 1st trip DTC.
3. If 1st trip DTC is detected, go to [EC-804, "Diagnosis Procedure"](#).

### Diagnosis Procedure

INFOID:000000004333386

#### 1. CHECK GROUND CONNECTIONS

1. Turn ignition switch OFF.
2. Loosen and retighten ground screws on the body.

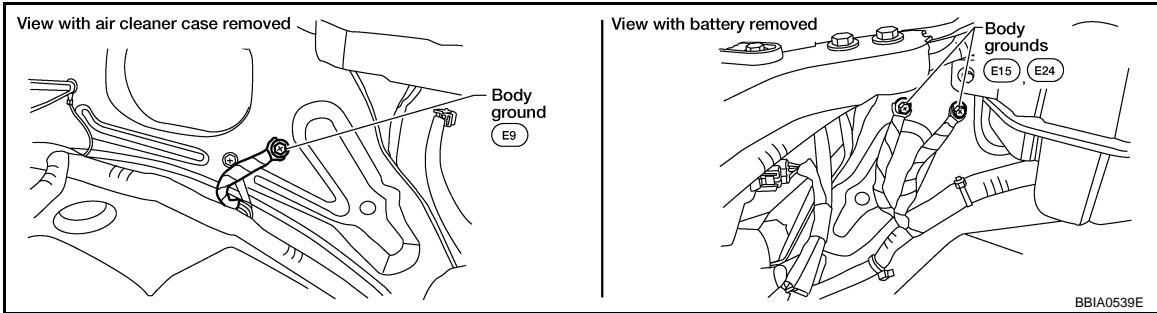


# P1553 BATTERY CURRENT SENSOR

[VK56DE]

< COMPONENT DIAGNOSIS >

Refer to [EC-568, "Ground Inspection"](#).



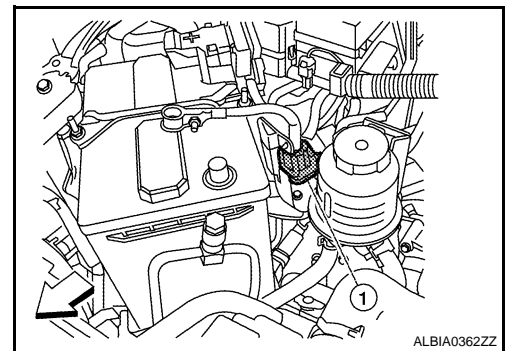
OK or NG

OK >> GO TO 2.

NG >> Repair or replace ground connections.

## 2. CHECK BATTERY CURRENT SENSOR POWER SUPPLY CIRCUIT

1. Disconnect battery current sensor (1) harness connector.
2. Turn ignition switch ON.  
↔: Vehicle front



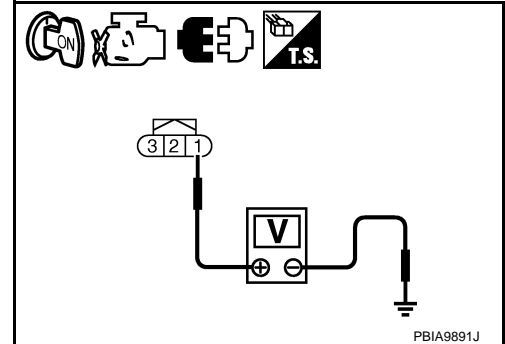
3. Check voltage between battery current sensor terminal 1 and ground with CONSULT-III or tester.

**Voltage: Approximately 5 V**

OK or NG

OK >> GO TO 4.

NG >> GO TO 3.



## 3. DETECT MALFUNCTIONING PART

Check the following.

- Harness connectors E5, F14
- Harness for open or short between battery current sensor and ECM

>> Repair open circuit or short to ground or short to power in harness or connectors.

## 4. CHECK BATTERY CURRENT SENSOR GROUND CIRCUIT FOR OPEN AND SHORT

1. Turn ignition switch OFF.
2. Disconnect ECM harness connector.
3. Check harness continuity between battery current sensor terminal 2 and ECM terminal 67.  
Refer to Wiring Diagram.

**Continuity should exist.**

4. Also check harness for short to ground and short to power.

OK or NG

OK >> GO TO 6.

NG >> GO TO 5.

A  
EC  
C  
D  
E  
F  
G  
H  
I  
J  
K  
L  
M  
N  
O  
P

# P1553 BATTERY CURRENT SENSOR

< COMPONENT DIAGNOSIS >

[VK56DE]

## 5. DETECT MALFUNCTIONING PART

Check the following.

- Harness connectors E5, F14
- Harness for open or short between battery current sensor and ECM

>> Repair open circuit or short to ground or short to power in harness or connectors.

## 6. CHECK BATTERY CURRENT SENSOR INPUT SIGNAL CIRCUIT FOR OPEN AND SHORT

1. Check harness continuity between battery current sensor terminal 3 and ECM terminal 71.  
Refer to Wiring Diagram.

**Continuity should exist.**

2. Also check harness for short to ground and short to power.

OK or NG

OK >> GO TO 8.

NG >> GO TO 7.

## 7. DETECT MALFUNCTIONING PART

Check the following.

- Harness connectors E2, F32
- Harness for open or short between battery current sensor and ECM

>> Repair open circuit or short to ground or short to power in harness or connectors.

## 8. CHECK BATTERY CURRENT SENSOR

Refer to [EC-806, "Component Inspection"](#).

OK or NG

OK >> GO TO 9.

NG >> Replace battery negative cable assembly.

## 9. CHECK INTERMITTENT INCIDENT

Refer to [GI-49, "Intermittent Incident"](#).

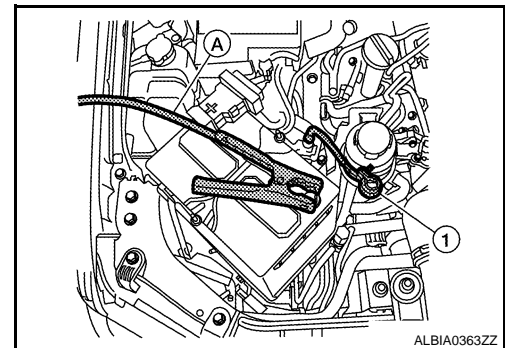
>> **INSPECTION END**

## Component Inspection

INFOID:000000004333383

### BATTERY CURRENT SENSOR

1. Reconnect harness connectors disconnected.
2. Disconnect battery negative cable (1).
3. Install jumper cable (A) between battery negative terminal and body ground.
4. Turn ignition switch ON.



# P1553 BATTERY CURRENT SENSOR

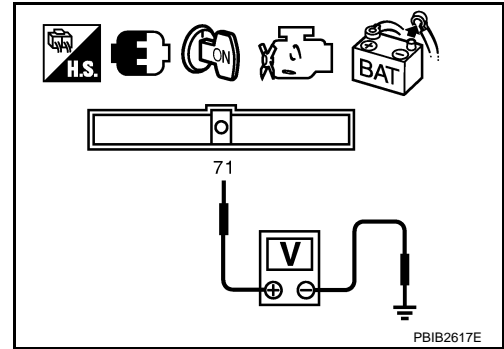
## < COMPONENT DIAGNOSIS >

[VK56DE]

5. Check voltage between ECM terminal 71 (battery current sensor signal) and ground.

**Voltage: Approximately 2.5 V**

6. If NG, replace battery negative cable assembly.



A

EC

C

D

E

F

G

H

I

J

K

L

M

N

O

P

# P1554 BATTERY CURRENT SENSOR

< COMPONENT DIAGNOSIS >

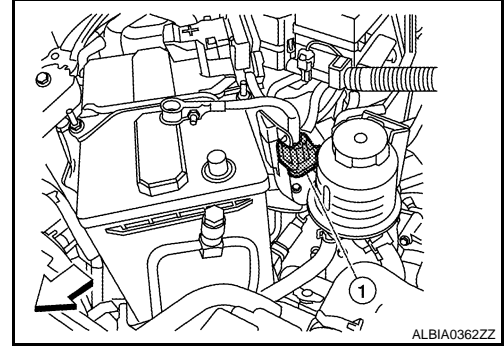
[VK56DE]

## P1554 BATTERY CURRENT SENSOR

### Component Description

INFOID:000000004333381

The power generation voltage variable control enables fuel consumption to be decreased by reducing the engine load which is caused by the power generation of the generator. The battery current sensor (1) is installed to the battery cable at the negative terminal. The sensor measures the charging/discharging current of the battery. Based on the sensor signal, ECM judges whether or not the power generation voltage variable control is performed. When performing the power generation voltage variable control, ECM calculates the target power generation voltage based on the sensor signal. And ECM sends the calculated value as the power generation command value to IPDM E/R. For the details of the power generation voltage variable control, refer to [CHG-7, "System Description"](#).



ALBIA0362ZZ

↔: Vehicle front

#### CAUTION:

**Never connect the electrical component or the ground wire directly to the battery terminal. The connection causes the malfunction of the power generation voltage variable control, and then the battery discharge may occur.**

### On Board Diagnosis Logic

INFOID:000000003936776

The MIL will not illuminate for this self-diagnosis.

#### NOTE:

If DTC P1554 is displayed with DTC P0643, first perform the trouble diagnosis for DTC P0643. Refer to [EC-775, "DTC Confirmation Procedure"](#).

DTC No.	Trouble diagnosis name	DTC detecting condition	Possible cause
P1554 1554	Battery current sensor performance	The output voltage of the battery current sensor is lower than the specified value while the battery voltage is high enough.	<ul style="list-style-type: none"><li>• Harness or connectors (The sensor circuit is open or shorted.)</li><li>• Battery current sensor</li></ul>

### Overall Function Check

INFOID:000000003936777

Use this procedure to check the overall function of the battery current sensor circuit. During this check, a 1st trip DTC might not be confirmed.

#### TESTING CONDITION:

- Before performing the following procedure, confirm that battery voltage is more than 12.8 V at idle.
- Before performing the following procedure, confirm that all load switches and A/C switch are turned OFF.

#### ④ WITH CONSULT-III

1. Start engine and let it idle.
2. Select "BAT CUR SEN" in "DATA MONITOR" mode with CONSULT-III.
3. Check "BAT CUR SEN" indication for 10 seconds.  
"BAT CUR SEN" should be above 2,300 mV at least once.
4. If NG, go to [EC-809, "Diagnosis Procedure"](#).

#### ④ WITH GST

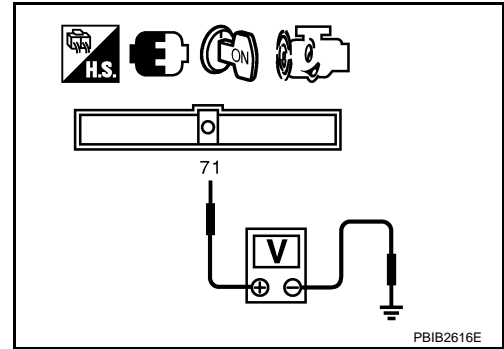
1. Start engine and let it idle.

# P1554 BATTERY CURRENT SENSOR

[VK56DE]

## < COMPONENT DIAGNOSIS >

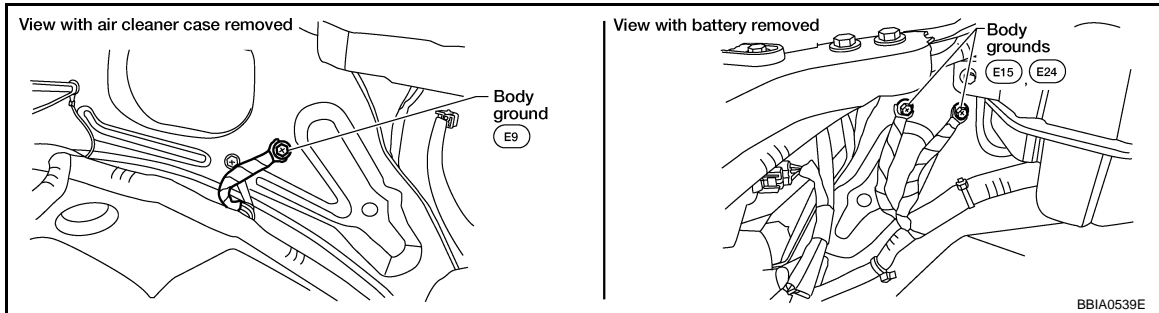
2. Check voltage between ECM terminal 71 (battery current sensor signal) and ground for 10 seconds.  
**The voltage should be above 2.3 V at least once.**
3. If NG, go to [EC-809](#). "[Diagnosis Procedure](#)".



## Diagnosis Procedure

### 1. CHECK GROUND CONNECTIONS

1. Turn ignition switch OFF.
2. Loosen and retighten ground screws on the body.  
Refer to [EC-568](#). "[Ground Inspection](#)".

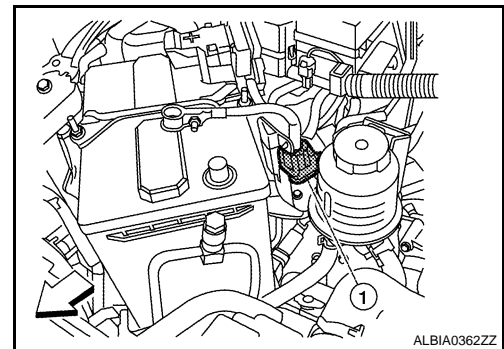


#### OK or NG

- OK >> GO TO 2.
- NG >> Repair or replace ground connections.

### 2. CHECK BATTERY CURRENT SENSOR POWER SUPPLY CIRCUIT

1. Disconnect battery current sensor (1) harness connector.
2. Turn ignition switch ON.  
↔: Vehicle front

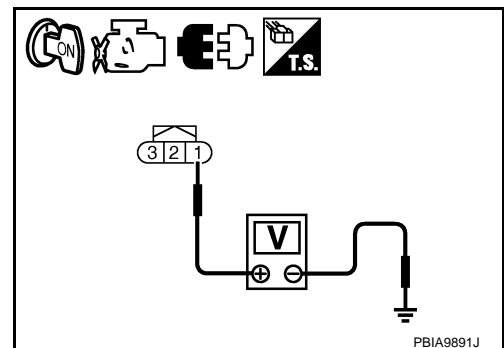


3. Check voltage between battery current sensor terminal 1 and ground with CONSULT-III or tester.

**Voltage: Approximately 5 V**

#### OK or NG

- OK >> GO TO 4.
- NG >> GO TO 3.



### 3. DETECT MALFUNCTIONING PART

# P1554 BATTERY CURRENT SENSOR

[VK56DE]

## < COMPONENT DIAGNOSIS >

Check the following.

- Harness connectors E5, F14
- Harness for open or short between battery current sensor and ECM

>> Repair open circuit or short to ground or short to power in harness or connectors.

### 4.CHECK BATTERY CURRENT SENSOR GROUND CIRCUIT FOR OPEN AND SHORT

1. Turn ignition switch OFF.
2. Disconnect ECM harness connector.
3. Check harness continuity between battery current sensor terminal 2 and ECM terminal 67.  
Refer to Wiring Diagram.

**Continuity should exist.**

4. Also check harness for short to ground and short to power.

OK or NG

- OK >> GO TO 6.
- NG >> GO TO 5.

### 5.DETECT MALFUNCTIONING PART

Check the following.

- Harness connectors E5, F14
- Harness for open or short between battery current sensor and ECM

>> Repair open circuit or short to ground or short to power in harness or connectors.

### 6.CHECK BATTERY CURRENT SENSOR INPUT SIGNAL CIRCUIT FOR OPEN AND SHORT

1. Check harness continuity between battery current sensor terminal 3 and ECM terminal 71.  
Refer to Wiring Diagram.

**Continuity should exist.**

2. Also check harness for short to ground and short to power.

OK or NG

- OK >> GO TO 8.
- NG >> GO TO 7.

### 7.DETECT MALFUNCTIONING PART

Check the following.

- Harness connectors E2, F32
- Harness for open or short between battery current sensor and ECM

>> Repair open circuit or short to ground or short to power in harness or connectors.

### 8.CHECK BATTERY CURRENT SENSOR

Refer to [EC-810, "Component Inspection"](#).

OK or NG

- OK >> GO TO 9.
- NG >> Replace battery negative cable assembly.

### 9.CHECK INTERMITTENT INCIDENT

Refer to [GI-49, "Intermittent Incident"](#).

>> **INSPECTION END**

Component Inspection

BATTERY CURRENT SENSOR

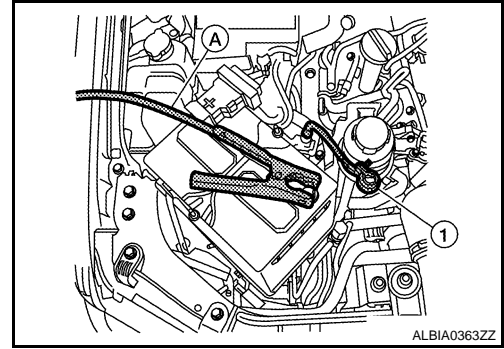
INFOID:000000004333384

# P1554 BATTERY CURRENT SENSOR

[VK56DE]

## < COMPONENT DIAGNOSIS >

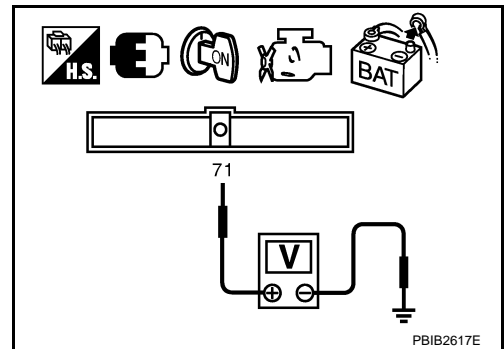
1. Reconnect harness connectors disconnected.
2. Disconnect battery negative cable (1).
3. Install jumper cable (A) between battery negative terminal and body ground.
4. Turn ignition switch ON.



5. Check voltage between ECM terminal 71 (battery current sensor signal) and ground.

**Voltage: Approximately 2.5 V**

6. If NG, replace battery negative cable assembly.



A  
EC  
C  
D  
E  
F  
G  
H  
I  
J  
K  
L  
M  
N  
O  
P

# P1564 ASCD STEERING SWITCH

< COMPONENT DIAGNOSIS >

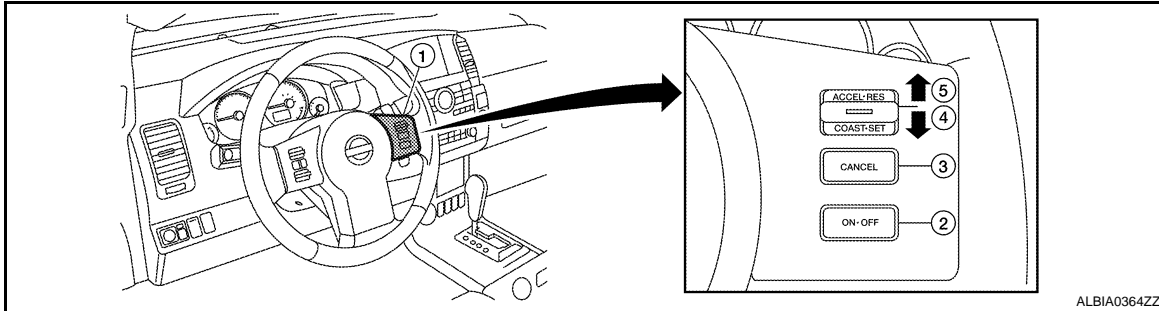
[VK56DE]

## P1564 ASCD STEERING SWITCH

### Component Description

INFOID:000000003936780

ASCD steering switch has variant values of electrical resistance for each button. ECM reads voltage variation of switch, and determines which button is operated.



- |                         |                             |                  |
|-------------------------|-----------------------------|------------------|
| 1. ASCD steering switch | 2. MAIN switch              | 3. CANCEL switch |
| 4. SET/COAST switch     | 5. RESUME/ACCELERATE switch |                  |

Refer to [EC-516, "System Description"](#) for the ASCD function.

### On Board Diagnosis Logic

INFOID:000000003936781

- This self-diagnosis has the one trip detection logic.
- The MIL will not illuminate for this self-diagnosis.

#### NOTE:

If DTC P1564 is displayed with DTC P0605, first perform the trouble diagnosis for DTC P0605. Refer to [EC-775, "DTC Confirmation Procedure"](#).

DTC No.	Trouble diagnosis name	DTC detecting condition	Possible cause
P1564 1564	ASCD steering switch	<ul style="list-style-type: none"> <li>• An excessively high voltage signal from the ASCD steering switch is sent to ECM.</li> <li>• ECM detects that input signal from the ASCD steering switch is out of the specified range.</li> <li>• ECM detects that the ASCD steering switch is stuck ON.</li> </ul>	<ul style="list-style-type: none"> <li>• Harness or connectors (The switch circuit is open or shorted.)</li> <li>• ASCD steering switch</li> <li>• Combination switch (spiral cable)</li> <li>• ECM</li> </ul>

### DTC Confirmation Procedure

INFOID:000000003936782

1. If DTC Confirmation Procedure has been previously conducted, always perform the following procedure before conducting the next step.
  - a. Turn ignition switch OFF and wait at least 10 seconds.
  - b. Turn ignition switch ON.
  - c. Turn ignition switch OFF and wait at least 10 seconds.
2. Turn ignition switch ON and wait at least 10 seconds.
3. Press MAIN switch for at least 10 seconds, then release it and wait at least 10 seconds.
4. Press CANCEL switch for at least 10 seconds, then release it and wait at least 10 seconds.
5. Press RESUME/ACCELERATE switch for at least 10 seconds, then release it and wait at least 10 seconds.
6. Press SET/COAST switch for at least 10 seconds, then release it and wait at least 10 seconds.
7. Check DTC.
8. If DTC is detected, go to [EC-812, "Diagnosis Procedure"](#).

### Diagnosis Procedure

INFOID:000000003936783

#### 1. CHECK GROUND CONNECTIONS

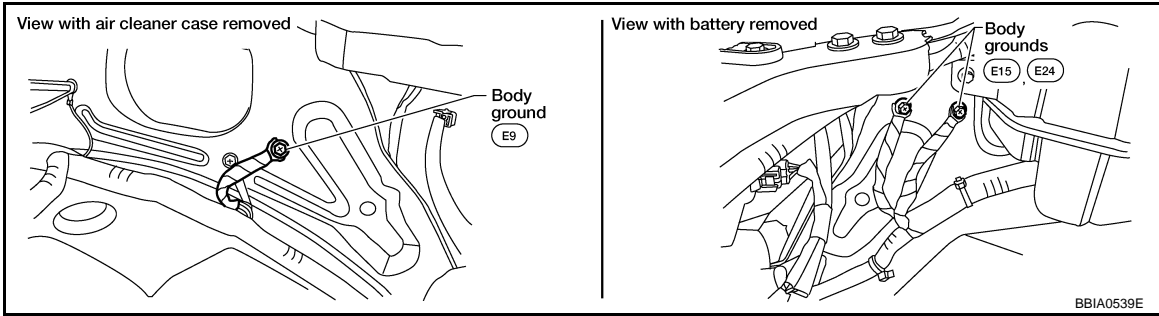


# P1564 ASCD STEERING SWITCH

[VK56DE]

## < COMPONENT DIAGNOSIS >

1. Turn ignition switch OFF.
2. Loosen and retighten ground screws on the body.  
Refer to [EC-568](#), "Ground Inspection".



### OK or NG

- OK >> GO TO 2.  
NG >> Repair or replace ground connections.

## 2. CHECK ASCD STEERING SWITCH CIRCUIT

### With CONSULT-III

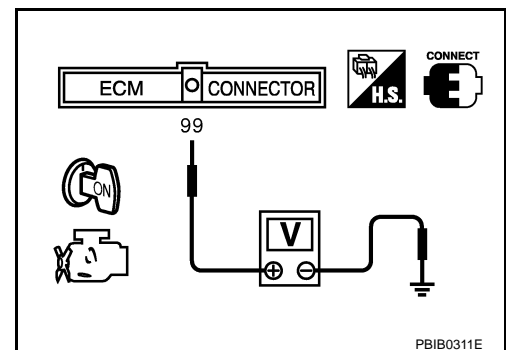
1. Turn ignition switch ON.
2. Select "MAIN SW", "CANCEL SW", "RESUME/ACC SW" and "SET SW" in "DATA MONITOR" mode with CONSULT-III.
3. Check each item indication under the following conditions.

Switch	Monitor item	Condition	Indication
MAIN switch	MAIN SW	Pressed	ON
		Released	OFF
CANCEL switch	CANCEL SW	Pressed	ON
		Released	OFF
RESUME/ACCELERATE switch	RESUME/ACC SW	Pressed	ON
		Released	OFF
SET/COAST switch	SET SW	Pressed	ON
		Released	OFF

### Without CONSULT-III

1. Turn ignition switch ON.
2. Check voltage between ECM terminal 99 and ground with pressing each button.

Switch	Condition	Voltage (V)
MAIN switch	Pressed	Approx. 0
	Released	Approx. 4
CANCEL switch	Pressed	Approx. 1
	Released	Approx. 4
RESUME/ACCELERATE switch	Pressed	Approx. 3
	Released	Approx. 4
SET/COAST switch	Pressed	Approx. 2
	Released	Approx. 4



### OK or NG

- OK >> GO TO 8.  
NG >> GO TO 3.

## 3. CHECK ASCD STEERING SWITCH GROUND CIRCUIT FOR OPEN AND SHORT

# P1564 ASCD STEERING SWITCH

[VK56DE]

## < COMPONENT DIAGNOSIS >

---

1. Turn ignition switch OFF.
2. Disconnect combination switch harness connector M102.
3. Disconnect ECM harness connector.
4. Check harness continuity between combination switch terminal 15 and ECM terminal 67.  
Refer to Wiring Diagram.

**Continuity should exist.**

5. Also check harness for short to ground and short to power.

### OK or NG

- OK >> GO TO 5.  
NG >> GO TO 4.

## 4. DETECT MALFUNCTIONING PART

---

Check the following.

- Harness connectors M31, E152
- Harness connectors E5, F14
- Combination switch (spiral cable)
- Harness for open and short between ECM and combination switch

>> Repair open circuit or short to ground or short to power in harness or connectors.

## 5. CHECK ASCD STEERING SWITCH INPUT SIGNAL CIRCUIT FOR OPEN AND SHORT

---

1. Check harness continuity between ECM terminal 99 and combination switch terminal 14.  
Refer to Wiring Diagram.

**Continuity should exist.**

2. Also check harness for short to ground and short to power.

### OK or NG

- OK >> GO TO 7.  
NG >> GO TO 6.

## 6. DETECT MALFUNCTIONING PART

---

Check the following.

- Harness connectors M31, E152
- Combination switch (spiral cable)
- Harness for open and short between ECM and combination switch

>> Repair open circuit or short to ground or short to power in harness or connectors.

## 7. CHECK ASCD STEERING SWITCH

---

Refer to [EC-814, "Component Inspection"](#).

### OK or NG

- OK >> GO TO 8.  
NG >> Replace ASCD steering switch.

## 8. CHECK INTERMITTENT INCIDENT

---

Refer to [GI-49, "Intermittent Incident"](#).

>> **INSPECTION END**

## Component Inspection

INFOID:000000003936784

### ASCD STEERING SWITCH

1. Disconnect combination switch (spiral cable) harness connector M102.

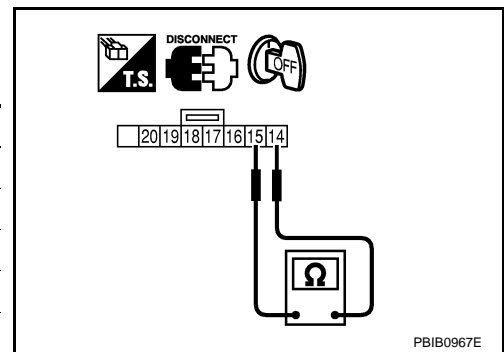
# P1564 ASCD STEERING SWITCH

[VK56DE]

## < COMPONENT DIAGNOSIS >

- Check continuity between combination switch (spiral cable) terminals 14 and 15 with pushing each switch.

Switch	Condition	Resistance [ $\Omega$ ]
MAIN switch	Pressed	Approx. 0
	Released	Approx. 4,000
CANCEL switch	Pressed	Approx. 250
	Released	Approx. 4,000
RESUME/ACCELERATE switch	Pressed	Approx. 1,480
	Released	Approx. 4,000
SET/COAST switch	Pressed	Approx. 660
	Released	Approx. 4,000



A

EC

C

D

E

F

G

H

I

J

K

L

M

N

O

P

# P1572 ASCD BRAKE SWITCH

< COMPONENT DIAGNOSIS >

[VK56DE]

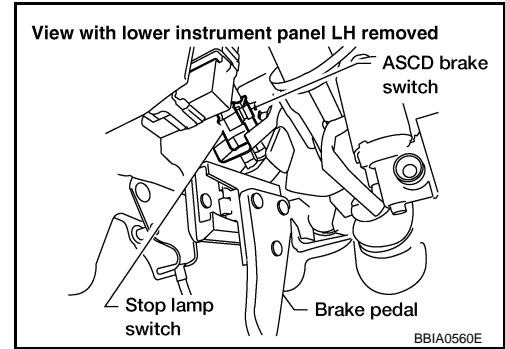
## P1572 ASCD BRAKE SWITCH

### Component Description

INFOID:000000003936785

When the brake pedal is depressed, ASCD brake switch is turned OFF and stop lamp switch is turned ON. ECM detects the state of the brake pedal by two kinds of input (ON/OFF signal).

Refer to [EC-516, "System Description"](#) for the ASCD function.



### On Board Diagnosis Logic

INFOID:000000003936786

- This self-diagnosis has the one trip detection logic.
- The MIL will not illuminate for this self-diagnosis.

#### NOTE:

- If DTC P 1572 is displayed with DTC P0605, first perform the trouble diagnosis for DTC P0605. Refer to [EC-772, "DTC Confirmation Procedure"](#).
- This self-diagnosis has the one trip detection logic. When malfunction A is detected, DTC is not stored in ECM memory. And in that case, 1st trip DTC and 1st trip freeze frame data are displayed. 1st trip DTC is erased when ignition switch is turned OFF. And even when malfunction A is detected in two consecutive trips, DTC is not stored in ECM memory.

DTC No.	Trouble diagnosis name	DTC detecting condition		Possible cause
P1572 1572	ASCN brake switch	A)	When the vehicle speed is above 30km/h (19 MPH), ON signals from the stop lamp switch and the ASCD brake switch are sent to ECM at the same time.	<ul style="list-style-type: none"> <li>• Harness or connectors (The stop lamp switch circuit is shorted.)</li> <li>• Harness or connectors (The ASCD brake switch circuit is shorted.)</li> <li>• Stop lamp switch</li> <li>• ASCD brake switch</li> <li>• Incorrect stop lamp switch installation</li> <li>• Incorrect ASCD brake switch installation</li> <li>• ECM</li> </ul>
		B)	ASCN brake switch signal is not sent to ECM for extremely long time while the vehicle is being driven.	

### DTC Confirmation Procedure

INFOID:000000003936787

#### CAUTION:

Always drive vehicle at a safe speed.

#### NOTE:

- Procedure for malfunction B is not described here. It takes extremely long time to complete procedure for malfunction B. By performing procedure for malfunction A, the incident that causes malfunction B can be detected.
- If DTC Confirmation Procedure has been previously conducted, always turn ignition switch OFF and wait at least 10 seconds before conducting the next test.
  1. Turn ignition switch OFF and wait at least 10 seconds.
  2. Turn ignition switch ON.
  3. Turn ignition switch OFF and wait at least 10 seconds.

#### TESTING CONDITION:

Steps 3 and 5 may be conducted with the drive wheels lifted in the shop or by driving the vehicle. If a road test is expected to be easier, it is unnecessary to lift the vehicle.

1. Start engine (VDC switch OFF).
2. Press MAIN switch and check that CRUISE indicator illuminates.
3. Drive the vehicle for at least 5 consecutive seconds under the following conditions.

# P1572 ASCD BRAKE SWITCH

[VK56DE]

## < COMPONENT DIAGNOSIS >

Vehicle speed	More than 30 km/h (19 MPH)
Selector lever	Suitable position

- Check 1st trip DTC.  
If 1st trip DTC is detected, go to [EC-817, "Diagnosis Procedure"](#).  
If 1st trip DTC is not detected, go to the following step.
- Drive the vehicle for at least 5 consecutive seconds under the following conditions.

Vehicle speed	More than 30 km/h (19 MPH)
Selector lever	Suitable position
Driving location	Depress the brake pedal for more than five seconds so as not to come off from the above-mentioned condition.

- Check 1st trip DTC.
- If 1st trip DTC is detected, go to [EC-817, "Diagnosis Procedure"](#).

## Diagnosis Procedure

INFOID:000000003936788

### 1. CHECK OVERALL FUNCTION-I

#### With CONSULT-III

- Turn ignition switch ON.
- Select "BRAKE SW1" in "DATA MONITOR" mode with CONSULT-III.
- Check "BRAKE SW1" indication under the following conditions.

CONDITION	INDICATION
Brake pedal: Fully released	ON
Brake pedal: Slightly depressed	OFF

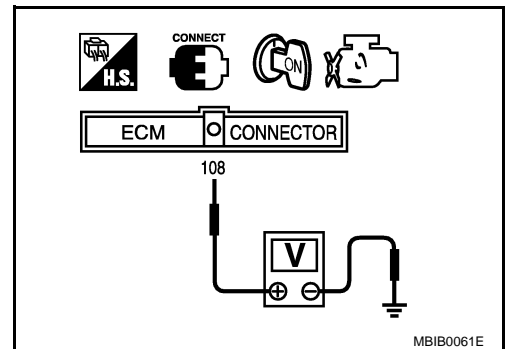
#### Without CONSULT-III

- Turn ignition switch ON.
- Check voltage between ECM terminal 108 and ground under the following conditions.

CONDITION	VOLTAGE
Brake pedal: Fully released	Battery voltage
Brake pedal: Slightly depressed	Approximately 0V

#### OK or NG

- OK >> GO TO 2.  
NG >> GO TO 3.



### 2. CHECK OVERALL FUNCTION-II

#### With CONSULT-III

Check "BRAKE SW2" indication in "DATA MONITOR" mode.

CONDITION	INDICATION
Brake pedal: Fully released	OFF
Brake pedal: Slightly depressed	ON

#### Without CONSULT-III

Check voltage between ECM terminal 101 and ground under the following conditions.

# P1572 ASCD BRAKE SWITCH

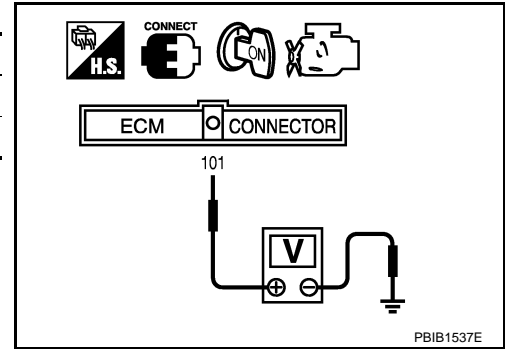
[VK56DE]

## < COMPONENT DIAGNOSIS >

CONDITION	VOLTAGE
Brake pedal: Fully released	Approximately 0V
Brake pedal: Slightly depressed	Battery voltage

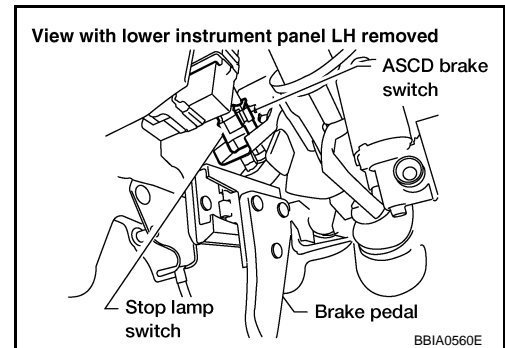
### OK or NG

- OK >> GO TO 11.
- NG >> GO TO 7.



## 3. CHECK ASCD BRAKE SWITCH POWER SUPPLY CIRCUIT

1. Turn ignition switch OFF.
2. Disconnect ASCD brake switch harness connector.
3. Turn ignition switch ON.

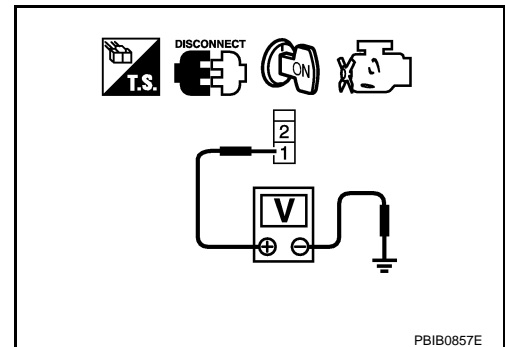


4. Check voltage between ASCD brake switch terminal 1 and ground with CONSULT-III or tester.

**Voltage: Battery voltage**

### OK or NG

- OK >> GO TO 5.
- NG >> GO TO 4.



## 4. DETECT MALFUNCTIONING PART

Check the following.

- Fuse block (J/B) connector E160
- 10 A fuse (No. 12)
- Harness for open or short between ASCD brake switch and fuse

>> Repair open circuit or short to ground or short to power in harness or connectors.

## 5. CHECK ASCD BRAKE SWITCH INPUT SIGNAL CIRCUIT FOR OPEN AND SHORT

1. Turn ignition switch OFF.
2. Disconnect ECM harness connector.
3. Check harness continuity between ECM terminal 108 and ASCD brake switch terminal 2. Refer to Wiring Diagram.

**Continuity should exist.**

4. Also check harness for short to ground and short to power.

### OK or NG

- OK >> GO TO 6.
- NG >> Repair open circuit or short to ground or short to power in harness or connectors.

# P1572 ASCD BRAKE SWITCH

[VK56DE]

< COMPONENT DIAGNOSIS >

## 6. CHECK ASCD BRAKE SWITCH

Refer to [EC-820. "Component Inspection"](#).

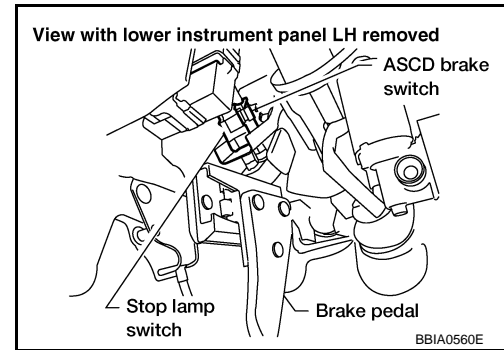
OK or NG

OK >> GO TO 11.

NG >> Replace ASCD brake switch.

## 7. CHECK STOP LAMP SWITCH POWER SUPPLY CIRCUIT

1. Turn ignition switch OFF.
2. Disconnect stop lamp switch harness connector.



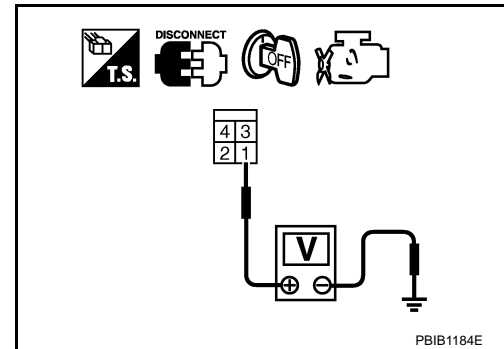
3. Check voltage between stop lamp switch terminal 1 and ground with CONSULT-III or tester.

**Voltage: Battery voltage**

OK or NG

OK >> GO TO 9.

NG >> GO TO 8.



## 8. DETECT MALFUNCTIONING PART

Check the following.

- Fuse block (J/B) connector E160
- 10 A fuse (No.20)
- Harness for open or short between stop lamp switch and battery

>> Repair open circuit or short to ground or short to power in harness or connectors.

## 9. CHECK STOP LAMP SWITCH INPUT SIGNAL CIRCUIT FOR OPEN AND SHORT

1. Disconnect ECM harness connector.
2. Check harness continuity between ECM terminal 101 and stop lamp switch terminal 2. Refer to Wiring Diagram.

**Continuity should exist.**

3. Also check harness for short to ground and short to power.

OK or NG

OK >> GO TO 10.

NG >> Repair open circuit or short to ground or short to power in harness or connectors.

## 10. CHECK STOP LAMP SWITCH

Refer to [EC-820. "Component Inspection"](#).

OK or NG

OK >> GO TO 11.

NG >> Replace stop lamp switch.

# P1572 ASCD BRAKE SWITCH

< COMPONENT DIAGNOSIS >

[VK56DE]

## 11. CHECK INTERMITTENT INCIDENT

Refer to [GI-49. "Intermittent Incident"](#).

>> **INSPECTION END**

### Component Inspection

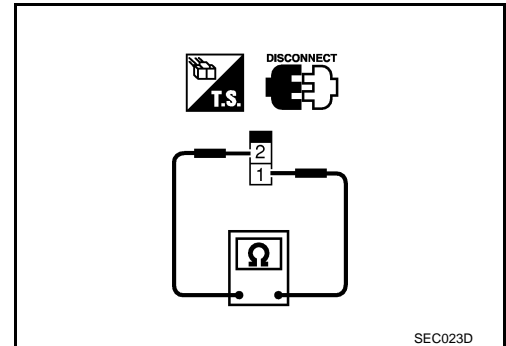
INFOID:000000003936789

#### ASC D BRAKE SWITCH

1. Turn ignition switch OFF.
2. Disconnect ASCD brake switch harness connector.
3. Check harness continuity between ASCD brake switch terminals 1 and 2 under the following conditions.

Condition	Continuity
Brake pedal: Fully released	Should exist.
Brake pedal: Slightly depressed	Should not exist.

If NG, adjust ASCD brake switch installation, refer to [BR-23. "Removal and Installation"](#), and perform step 3 again.

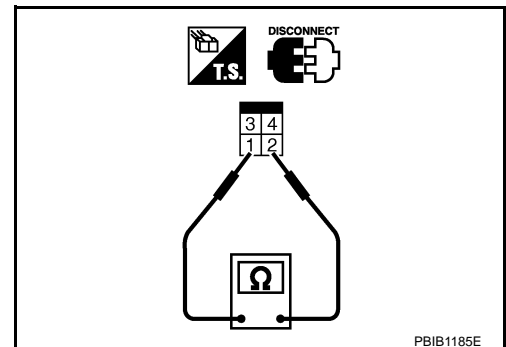


#### STOP LAMP SWITCH

1. Turn ignition switch OFF.
2. Disconnect stop lamp switch harness connector.
3. Check harness continuity between stop lamp switch terminals 1 and 2 under the following conditions.

Condition	Continuity
Brake pedal: Fully released	Should not exist.
Brake pedal: Slightly depressed	Should exist.

If NG, adjust stop lamp switch installation, refer to [BR-23. "Removal and Installation"](#), and perform step 3 again.





# P1574 ASCD VEHICLE SPEED SENSOR

< COMPONENT DIAGNOSIS >

[VK56DE]

## P1574 ASCD VEHICLE SPEED SENSOR

### Component Description

INFOID:000000003936790

The ECM receives two vehicle speed signals via the CAN communication line. One is sent from combination meter (unified meter control unit) and the other is from TCM. The ECM uses these signals for ASCD control. Refer to [EC-516, "System Description"](#) for ASCD functions.

### On Board Diagnosis Logic

INFOID:000000003936791

- This self-diagnosis has the one trip detection logic.
- The MIL will not illuminate for this self-diagnosis.

#### NOTE:

- If DTC P1574 is displayed with DTC UXXXX, first perform the trouble diagnosis for DTC UXXXX.
- If DTC P1574 is displayed with DTC P0500, first perform the trouble diagnosis for DTC P0500. Refer to [EC-761, "DTC Confirmation Procedure"](#).
- If DTC P1574 is displayed with DTC P0605, first perform the trouble diagnosis for DTC P0605. Refer to [EC-772, "DTC Confirmation Procedure"](#).
- If DTC P1574 is displayed with DTC P0607, first perform the trouble diagnosis for DTC P0607. Refer to [EC-774, "DTC Confirmation Procedure"](#).

DTC No.	Trouble diagnosis name	DTC detecting condition	Possible cause
P1574 1574	ASCD vehicle speed sensor	The difference between the two vehicle speed signals is out of the specified range.	<ul style="list-style-type: none"><li>• Harness or connectors (The CAN communication line is open or shorted.)</li><li>• Combination meter (unified meter control unit)</li><li>• ABS actuator and electric unit (control unit)</li><li>• Wheel sensor</li><li>• TCM</li><li>• ECM</li></ul>

### DTC Confirmation Procedure

INFOID:000000003936792

#### CAUTION:

Always drive vehicle at a safe speed.

#### NOTE:

If DTC Confirmation Procedure has been previously conducted, always perform the following procedure before conducting the next step.

1. Turn ignition switch OFF and wait at least 10 seconds.
2. Turn ignition switch ON.
3. Turn ignition switch OFF and wait at least 10 seconds.

#### TESTING CONDITION:

Step 2 may be conducted with the drive wheels lifted in the shop or by driving the vehicle. If a road test is expected to be easier, it is unnecessary to lift the vehicle.

1. Start engine (VDC switch OFF).
2. Drive the vehicle at more than 40 km/h (25 MPH).
3. Check DTC.
4. If DTC is detected, go to [EC-821, "Diagnosis Procedure"](#).

### Diagnosis Procedure

INFOID:000000003936793

#### 1. CHECK DTC WITH TCM

Check DTC with TCM. Refer to [TM-34, "OBD-II Diagnostic Trouble Code \(DTC\)"](#).

#### OK or NG

- OK >> GO TO 2.
- NG >> Perform trouble shooting relevant to DTC indicated.

#### 2. CHECK DTC WITH ABS ACTUATOR AND ELECTRIC UNIT (CONTROL UNIT)

Refer to [BRC-26, "CONSULT-III Function \(ABS\)"](#) or [BRC-153, "CONSULT-III Function \(ABS\)"](#).

#### OK or NG

## P1574 ASCD VEHICLE SPEED SENSOR

[VK56DE]

< COMPONENT DIAGNOSIS >

---

OK >> GO TO 3.

NG >> Repair or replace malfunctioning part.

### 3.CHECK COMBINATION METER FUNCTION

---

Check combination meter function.

Refer to [MWI-24. "CONSULT-III Function \(METER/M&A\)".](#)

>> INSPECTION END

# P1805 BRAKE SWITCH

< COMPONENT DIAGNOSIS >

[VK56DE]

## P1805 BRAKE SWITCH

### Description

INFOID:000000003936794

Brake switch signal is applied to the ECM through the stop lamp switch when the brake pedal is depressed. This signal is used mainly to decrease the engine speed when the vehicle is being driven.

### On Board Diagnosis Logic

INFOID:000000003936795

**The MIL will not illuminate for this self-diagnosis.**

DTC No.	Trouble diagnosis name	DTC detecting condition	Possible cause
P1805 1805	Brake switch	A brake switch signal is not sent to ECM for extremely long time while the vehicle is being driven.	<ul style="list-style-type: none"> <li>• Harness or connectors (Stop lamp switch circuit is open or shorted.)</li> <li>• Stop lamp switch</li> </ul>

### FAIL-SAFE MODE

When the malfunction is detected, the ECM enters fail-safe mode.

Engine operating condition in fail-safe mode

ECM controls the electric throttle control actuator by regulating the throttle opening to a small range. Therefore, acceleration will be poor.

Vehicle condition	Driving condition
When engine is idling	Normal
When accelerating	Poor acceleration

### DTC Confirmation Procedure

INFOID:000000003936796

1. Turn ignition switch ON.
2. Fully depress the brake pedal for at least 5 seconds.
3. Erase the DTC.
4. Check 1st trip DTC.
5. If 1st trip DTC is detected, go to [EC-823, "Diagnosis Procedure"](#).

### Diagnosis Procedure

INFOID:000000003936797

#### 1.CHECK STOP LAMP SWITCH CIRCUIT

1. Turn ignition switch OFF.
2. Check the stop lamp when depressing and releasing the brake pedal.

Brake pedal	Stop lamp
Fully released	Not illuminated
Depressed	Illuminated

#### OK or NG

- OK >> GO TO 4.  
NG >> GO TO 2.

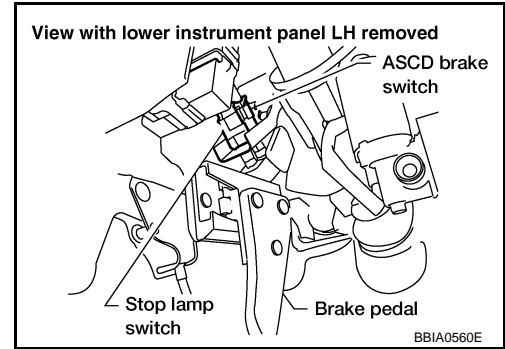
#### 2.CHECK STOP LAMP SWITCH POWER SUPPLY CIRCUIT

# P1805 BRAKE SWITCH

[VK56DE]

## < COMPONENT DIAGNOSIS >

1. Disconnect stop lamp switch harness connector.

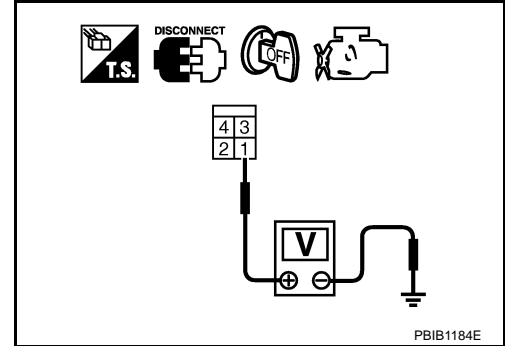


2. Check voltage between stop lamp switch terminal 1 and ground with CONSULT-III or tester.

**Voltage: Battery voltage**

OK or NG

- OK >> GO TO 4.
- NG >> GO TO 3.



## 3. DETECT MALFUNCTIONING PART

Check the following.

- Fuse block (J/B) connector E160
- 10 A fuse (No. 20)
- Harness for open and short between stop lamp switch and fuse

>> Repair open circuit or short to ground or short to power in harness or connectors.

## 4. CHECK STOP LAMP SWITCH INPUT SIGNAL CIRCUIT FOR OPEN AND SHORT

1. Turn ignition switch OFF.
2. Disconnect ECM harness connector.
3. Check harness continuity between ECM terminal 101 and stop lamp switch terminal 2. Refer to Wiring Diagram.

**Continuity should exist.**

4. Also check harness for short to ground and short to power.

OK or NG

- OK >> GO TO 5.
- NG >> Repair open circuit or short to ground or short to power in harness or connectors.

## 5. CHECK STOP LAMP SWITCH

Refer to [EC-825, "Component Inspection"](#).

OK or NG

- OK >> GO TO 6.
- NG >> Replace stop lamp switch.

## 6. CHECK INTERMITTENT INCIDENT

Refer to [GI-49, "Intermittent Incident"](#).

>> INSPECTION END

# P1805 BRAKE SWITCH

< COMPONENT DIAGNOSIS >

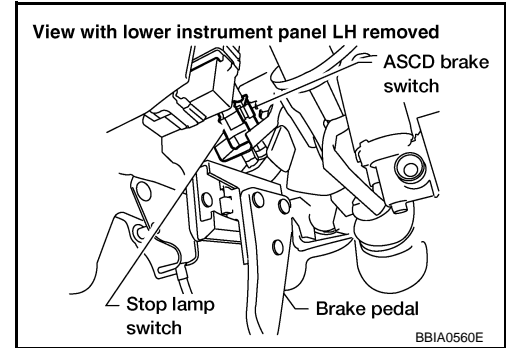
[VK56DE]

## Component Inspection

INFOID:000000003936798

### STOP LAMP SWITCH

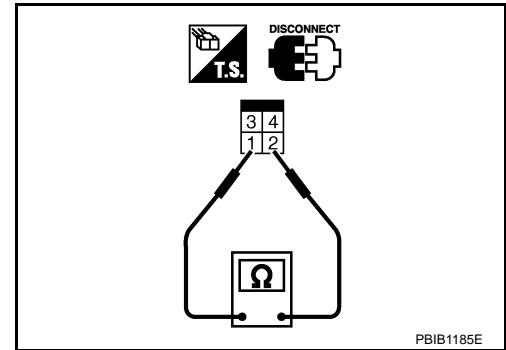
1. Disconnect stop lamp switch harness connector.



2. Check continuity between stop lamp switch terminals 1 and 2 under the following conditions.

Conditions	Continuity
Brake pedal: Fully released	Should not exist.
Brake pedal: Slightly depressed	Should exist.

3. If NG, adjust stop lamp switch installation, refer to [BR-23](#), "[Removal and Installation](#)", and perform step 2 again.



A  
EC  
C  
D  
E  
F  
G  
H  
I  
J  
K  
L  
M  
N  
O  
P

# P2100, P2103 THROTTLE CONTROL MOTOR RELAY

< COMPONENT DIAGNOSIS >

[VK56DE]

## P2100, P2103 THROTTLE CONTROL MOTOR RELAY

### Component Description

INFOID:000000003936799

Power supply for the throttle control motor is provided to the ECM via throttle control motor relay. The throttle control motor relay is controlled ON/OFF by the ECM. When the ignition switch is turned ON, the ECM sends an ON signal to throttle control motor relay and battery voltage is provided to the ECM. When the ignition switch is turned OFF, the ECM sends an OFF signal to throttle control motor relay and battery voltage is not provided to the ECM.

### On Board Diagnosis Logic

INFOID:000000003936800

**These self-diagnoses have the one trip detection logic.**

DTC No.	Trouble diagnosis name	DTC detecting condition	Possible cause
P2100 2100	Throttle control motor relay circuit open	ECM detects that the voltage of power source for throttle control motor is excessively low.	<ul style="list-style-type: none"><li>• Harness or connectors (Throttle control motor relay circuit is open)</li><li>• Throttle control motor relay</li></ul>
P2103 2103	Throttle control motor relay circuit short	ECM detects that the throttle control motor relay is stuck ON.	<ul style="list-style-type: none"><li>• Harness or connectors (Throttle control motor relay circuit is shorted)</li><li>• Throttle control motor relay</li></ul>

### FAIL-SAFE MODE

When the malfunction is detected, ECM enters fail-safe mode and the MIL illuminates.

Engine operating condition in fail-safe mode

ECM stops the electric throttle control actuator control, throttle valve is maintained at a fixed opening (approx. 5 degrees) by the return spring.

### DTC Confirmation Procedure

INFOID:000000003936801

#### NOTE:

If DTC Confirmation Procedure has been previously conducted, always perform the following procedure before conducting the next step.

1. Turn ignition switch OFF and wait at least 10 seconds.
2. Turn ignition switch ON.
3. Turn ignition switch OFF and wait at least 10 seconds.

#### PROCEDURE FOR DTC P2100

1. Turn ignition switch ON and wait at least 2 seconds.
2. Start engine and let it idle for 5 seconds.
3. Check DTC.
4. If DTC is detected, go to [EC-826, "Diagnosis Procedure"](#).

#### PROCEDURE FOR DTC P2103

##### TESTING CONDITION:

**Before performing the following procedure, confirm that battery voltage is more than 8 V.**

1. Turn ignition switch ON and wait at least 1 second.
2. Check DTC.
3. If DTC is detected, go to [EC-826, "Diagnosis Procedure"](#).

### Diagnosis Procedure

INFOID:000000003936802

#### 1. CHECK THROTTLE CONTROL MOTOR RELAY POWER SUPPLY CIRCUIT-I

1. Turn ignition switch OFF.

# P2100, P2103 THROTTLE CONTROL MOTOR RELAY

[VK56DE]

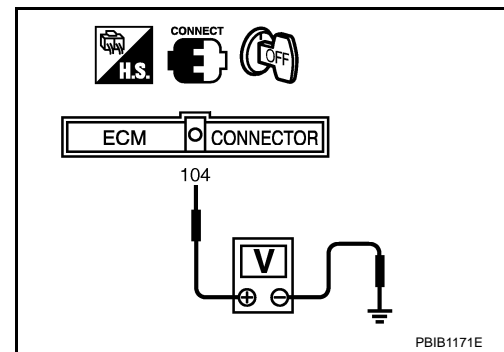
## < COMPONENT DIAGNOSIS >

- Check voltage between ECM terminal 104 and ground with CONSULT-III or tester.

**Voltage: Battery voltage**

### OK or NG

- OK >> GO TO 4.
- NG >> GO TO 2.



## 2.CHECK THROTTLE CONTROL MOTOR RELAY POWER SUPPLY CIRCUIT-II

- Disconnect ECM harness connector.
- Disconnect IPDM E/R harness connector E122.
- Check continuity between ECM terminal 104 and IPDM E/R terminal 47. Refer to Wiring Diagram.

**Continuity should exist.**

- Also check harness for short to ground and short to power.

### OK or NG

- OK >> GO TO 3.
- NG >> Repair open circuit or short to ground or short to power in harness or connectors.

## 3.CHECK FUSE

- Disconnect 20A fuse (No. 52).
- Check 20 A fuse for blown.

### OK or NG

- OK >> GO TO 7.
- NG >> Replace 20 A fuse.

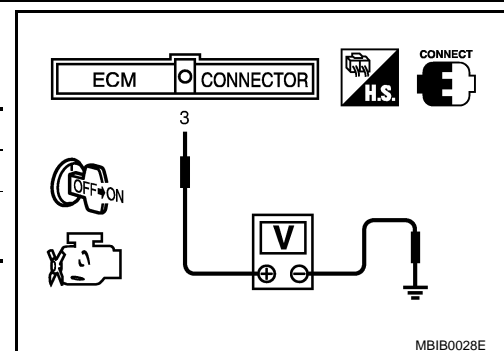
## 4.CHECK THROTTLE CONTROL MOTOR RELAY INPUT SIGNAL CIRCUIT-I

Check voltage between ECM terminal 3 and ground under the following conditions with CONSULT-III or tester.

Ignition switch	Voltage
OFF	Approximately 0 V
ON	Battery voltage (11 - 14 V)

### OK or NG

- OK >> GO TO 7.
- NG >> GO TO 5.



## 5.CHECK THROTTLE CONTROL MOTOR RELAY INPUT SIGNAL CIRCUIT-II

- Turn ignition switch OFF.
- Disconnect ECM harness connector.
- Disconnect IPDM E/R harness connector E119.
- Check continuity between ECM terminal 3 and IPDM E/R terminal 6. Refer to Wiring Diagram.

**Continuity should exist.**

- Also check harness for short to ground and short to power.

### OK or NG

- OK >> GO TO 7.
- NG >> GO TO 6.

## P2100, P2103 THROTTLE CONTROL MOTOR RELAY

< COMPONENT DIAGNOSIS >

[VK56DE]

---

### 6. DETECT MALFUNCTIONING PART

---

Check the following.

- Harness connectors E2, F32
- Harness for open or short between ECM and IPDM E/R

>> Repair open circuit or short to ground or short to power in harness or connectors.

### 7. CHECK INTERMITTENT INCIDENT

---

Refer to [GI-49. "Intermittent Incident"](#).

OK or NG

- OK >> Replace IPDM E/R. Refer to [PCS-33. "Removal and Installation of IPDM E/R"](#).
- NG >> Repair or replace harness or connectors.



# P2101 ELECTRIC THROTTLE CONTROL FUNCTION

< COMPONENT DIAGNOSIS >

[VK56DE]

## P2101 ELECTRIC THROTTLE CONTROL FUNCTION

### Description

INFOID:000000003936803

#### NOTE:

- If DTC P2101 is displayed with DTC P2100, first perform the trouble diagnosis for DTC P2100. Refer to [EC-826, "DTC Confirmation Procedure"](#).
- If DTC P2101 is displayed with DTC P2119, first perform the trouble diagnosis for DTC P2119. Refer to [EC-835, "DTC Confirmation Procedure"](#).

Electric throttle control actuator consists of throttle control motor, throttle position sensor, etc.

The throttle control motor is operated by the ECM and it opens and closes the throttle valve.

The current opening angle of the throttle valve is detected by the throttle position sensor. The throttle position sensor provides feedback to the ECM, when opens/closes the throttle valve in response to driving conditions via the throttle control motor.

### On Board Diagnosis Logic

INFOID:000000003936804

**This self-diagnosis has the one trip detection logic.**

DTC No.	Trouble diagnosis name	DTC detecting condition	Possible cause
P2101 2101	Electric throttle control performance	Electric throttle control function does not operate properly.	<ul style="list-style-type: none"><li>• Harness or connectors (Throttle control motor circuit is open or shorted)</li><li>• Electric throttle control actuator</li></ul>

### FAIL-SAFE MODE

When the malfunction is detected, ECM enters fail-safe mode and the MIL illuminates.

Engine operating condition in fail-safe mode

ECM stops the electric throttle control actuator control, throttle valve is maintained at a fixed opening (approx. 5 degrees) by the return spring.

### DTC Confirmation Procedure

INFOID:000000003936805

#### NOTE:

If DTC Confirmation Procedure has been previously conducted, always perform the following procedure before conducting the next step.

1. Turn ignition switch OFF and wait at least 10 seconds.
2. Turn ignition switch ON.
3. Turn ignition switch OFF and wait at least 10 seconds.

#### TESTING CONDITION:

**Before performing the following procedure, confirm that battery voltage is more than 11 V when engine is running.**

1. Turn ignition switch ON and wait at least 2 seconds.
2. Start engine and let it idle for 5 seconds.
3. Check DTC.
4. If DTC is detected, go to [EC-829, "Diagnosis Procedure"](#).

### Diagnosis Procedure

INFOID:000000003936806

#### 1. CHECK GROUND CONNECTIONS

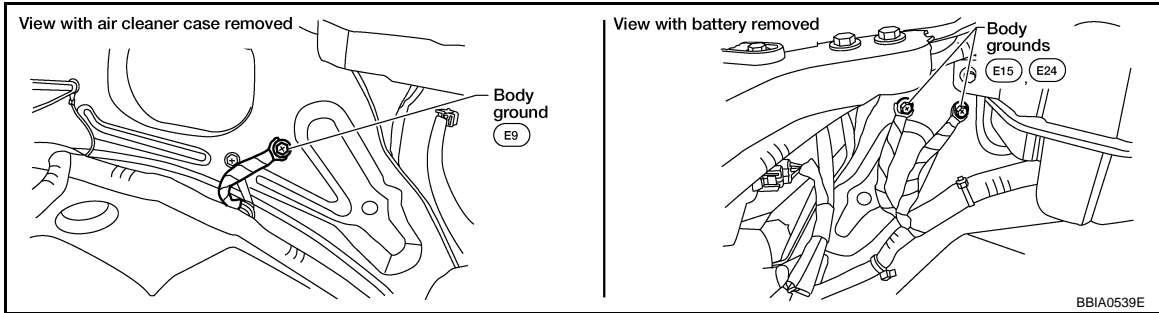
1. Turn ignition switch OFF.
2. Loosen and retighten ground screws on the body.

# P2101 ELECTRIC THROTTLE CONTROL FUNCTION

< COMPONENT DIAGNOSIS >

[VK56DE]

Refer to [EC-568, "Ground Inspection"](#).



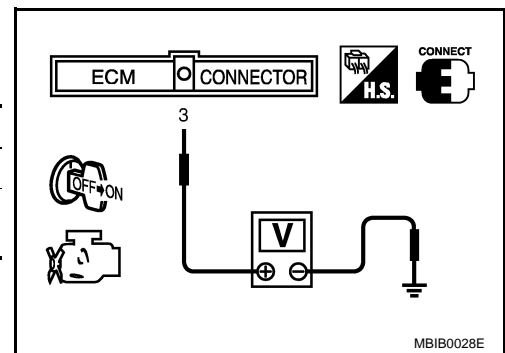
OK or NG

- OK >> GO TO 2.
- NG >> Repair or replace ground connections.

## 2. CHECK THROTTLE CONTROL MOTOR RELAY INPUT SIGNAL CIRCUIT-I

1. Check voltage between ECM terminal 3 and ground under the following conditions with CONSULT-III or tester.

Ignition switch	Voltage
OFF	Approximately 0 V
ON	Battery voltage (11 - 14 V)



OK or NG

- OK >> GO TO 9.
- NG >> GO TO 3.

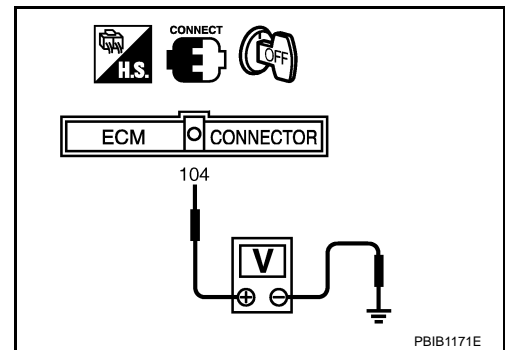
## 3. CHECK THROTTLE CONTROL MOTOR RELAY POWER SUPPLY CIRCUIT-I

1. Turn ignition switch OFF.
2. Check voltage between ECM terminal 104 and ground with CONSULT-III or tester.

**Voltage: Battery voltage**

OK or NG

- OK >> GO TO 6.
- NG >> GO TO 4.



## 4. CHECK THROTTLE CONTROL MOTOR RELAY POWER SUPPLY CIRCUIT-II

1. Disconnect ECM harness connector.
2. Disconnect IPDM E/R harness connector E122.
3. Check harness continuity between ECM terminal 104 and IPDM E/R terminal 47. Refer to Wiring Diagram.

**Continuity should exist.**

4. Also check harness for short to ground and short to power.

OK or NG

- OK >> GO TO 5.
- NG >> Repair open circuit or short to ground or short to power in harness or connectors.

## 5. CHECK FUSE

1. Disconnect 20 A fuse (No. 52).
2. Check if 20 A fuse is blown.

OK or NG

# P2101 ELECTRIC THROTTLE CONTROL FUNCTION

[VK56DE]

## < COMPONENT DIAGNOSIS >

- OK >> GO TO 8.
- NG >> Replace 20 A fuse.

### 6. CHECK THROTTLE CONTROL MOTOR RELAY INPUT SIGNAL CIRCUIT-II

1. Disconnect ECM harness connector.
2. Disconnect IPDM E/R harness connector E119.
3. Check harness continuity between ECM terminal 3 and IPDM E/R terminal 6.  
Refer to Wiring Diagram.

**Continuity should exist.**

4. Also check harness for short to ground and short to power.

#### OK or NG

- OK >> GO TO 8.
- NG >> GO TO 7.

### 7. DETECT MALFUNCTIONING PART

Check the following.

- Harness connectors E2, F32
- Harness for open or short between ECM and IPDM E/R

>> Repair open circuit or short to ground or short to power in harness or connectors.

### 8. CHECK INTERMITTENT INCIDENT

Refer to [GI-49. "Intermittent Incident"](#).

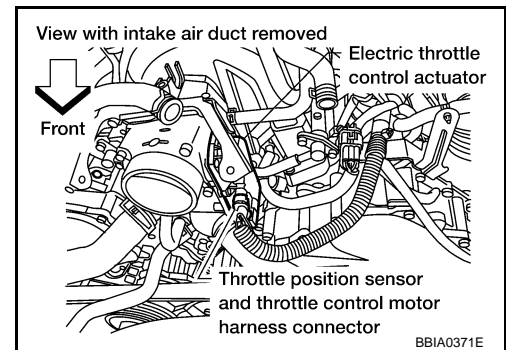
#### OK or NG

- OK >> Replace IPDM E/R. Refer to [PCS-33. "Removal and Installation of IPDM E/R"](#).
- NG >> Repair or replace harness or connectors.

### 9. CHECK THROTTLE CONTROL MOTOR OUTPUT SIGNAL CIRCUIT FOR OPEN OR SHORT

1. Turn ignition switch OFF.
2. Disconnect electric throttle control actuator harness connector.
3. Disconnect ECM harness connector.
4. Check harness continuity between the following terminals.  
Refer to Wiring Diagram.

Electric throttle control actuator terminal	ECM terminal	Continuity
5	5	Should not exist
	4	Should exist
6	5	Should exist
	4	Should not exist



5. Also check harness for short to ground and short to power.

#### OK or NG

- OK >> GO TO 10.
- NG >> Repair or replace malfunctioning part.

### 10. CHECK ELECTRIC THROTTLE CONTROL ACTUATOR VISUALLY

1. Remove the intake air duct.

# P2101 ELECTRIC THROTTLE CONTROL FUNCTION

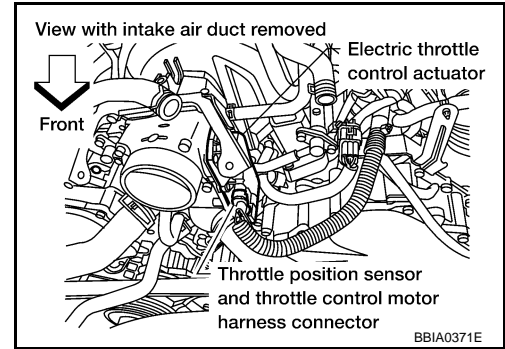
[VK56DE]

## < COMPONENT DIAGNOSIS >

2. Check if foreign matter is caught between the throttle valve and the housing.

### OK or NG

- OK >> GO TO 11.
- NG >> Remove the foreign matter and clean the electric throttle control actuator inside.



## 11. CHECK THROTTLE CONTROL MOTOR

Refer to [EC-832, "Component Inspection"](#).

### OK or NG

- OK >> GO TO 12.
- NG >> GO TO 13.

## 12. CHECK INTERMITTENT INCIDENT

Refer to [GI-49, "Intermittent Incident"](#).

### OK or NG

- OK >> GO TO 13.
- NG >> Repair or replace harness or connectors.

## 13. REPLACE ELECTRIC THROTTLE CONTROL ACTUATOR

1. Replace the electric throttle control actuator.
2. Perform [EC-500, "Throttle Valve Closed Position Learning"](#).
3. Perform [EC-500, "Idle Air Volume Learning"](#).

>> **INSPECTION END**

## Component Inspection

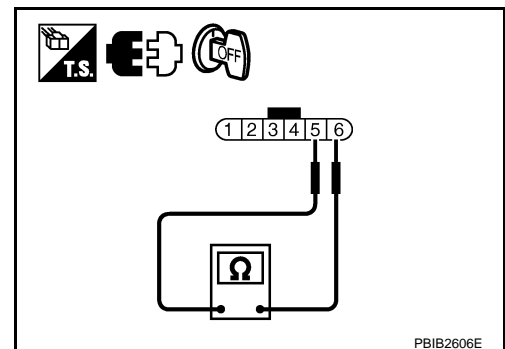
INFOID:000000003936807

### THROTTLE CONTROL MOTOR

1. Disconnect electric throttle control actuator harness connector.
2. Check resistance between terminals 5 and 6.

**Resistance: Approximately 1 - 15  $\Omega$  [at 25 °C (77°F)]**

3. If NG, replace electric throttle control actuator and go to next step.
4. Perform [EC-500, "Throttle Valve Closed Position Learning"](#).
5. Perform [EC-500, "Idle Air Volume Learning"](#).



# P2118 THROTTLE CONTROL MOTOR

< COMPONENT DIAGNOSIS >

[VK56DE]

## P2118 THROTTLE CONTROL MOTOR

### Component Description

INFOID:000000003936808

The throttle control motor is operated by the ECM and it opens and closes the throttle valve. The current opening angle of the throttle valve is detected by the throttle position sensor. The throttle position sensor provides feedback to the ECM, when opens/closes the throttle valve in response to driving conditions via the throttle control motor.

### On Board Diagnosis Logic

INFOID:000000003936809

**This self-diagnosis has the one trip detection logic.**

DTC No.	Trouble diagnosis name	DTC detecting condition	Possible cause
P2118 2118	Throttle control motor circuit short	ECM detects short in both circuits between ECM and throttle control motor.	<ul style="list-style-type: none"><li>• Harness or connectors (Throttle control motor circuit is shorted.)</li><li>• Electric throttle control actuator (Throttle control motor)</li></ul>

### FAIL-SAFE MODE

When the malfunction is detected, the ECM enters fail-safe mode and the MIL illuminates.

Engine operating condition in fail-safe mode

ECM stops the electric throttle control actuator control, throttle valve is maintained at a fixed opening (approx. 5 degrees) by the return spring.

### DTC Confirmation Procedure

INFOID:000000003936810

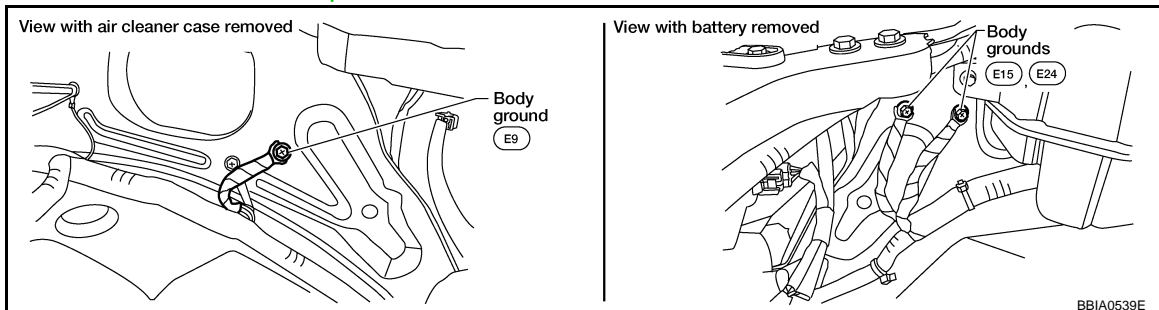
1. If DTC Confirmation Procedure has been previously conducted, always perform the following procedure before conducting the next step.
  - a. Turn ignition switch OFF and wait at least 10 seconds.
  - b. Turn ignition switch ON.
  - c. Turn ignition switch OFF and wait at least 10 seconds.
2. Turn ignition switch ON and wait at least 2 seconds.
3. Start engine and let it idle for 5 seconds.
4. Check DTC.
5. If DTC is detected, go to [EC-833, "Diagnosis Procedure"](#).

### Diagnosis Procedure

INFOID:000000003936811

#### 1. CHECK GROUND CONNECTIONS

1. Turn ignition switch OFF.
2. Loosen and retighten ground screws on the body. Refer to [EC-568, "Ground Inspection"](#).



OK or NG

- OK >> GO TO 2.  
NG >> Repair or replace ground connections.

# P2118 THROTTLE CONTROL MOTOR

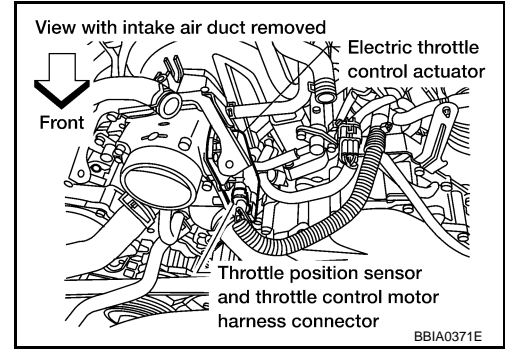
[VK56DE]

## < COMPONENT DIAGNOSIS >

### 2. CHECK THROTTLE CONTROL MOTOR OUTPUT SIGNAL CIRCUIT FOR OPEN OR SHORT

1. Disconnect electric throttle control actuator harness connector.
2. Disconnect ECM harness connector.
3. Check harness continuity between the following terminals.  
Refer to Wiring Diagram.

Electric throttle control actuator terminal	ECM terminal	Continuity
5	5	Should not exist
	4	Should exist
6	5	Should exist
	4	Should not exist



4. Also check harness for short to ground and short to power.

#### OK or NG

- OK >> GO TO 3.
- NG >> Repair or replace malfunctioning part.

### 3. CHECK THROTTLE CONTROL MOTOR

Refer to [EC-834, "Component Inspection"](#).

#### OK or NG

- OK >> GO TO 4.
- NG >> GO TO 5.

### 4. CHECK INTERMITTENT INCIDENT

Refer to [GI-49, "Intermittent Incident"](#).

#### OK or NG

- OK >> GO TO 5.
- NG >> Repair or replace harness or connectors.

### 5. REPLACE ELECTRIC THROTTLE CONTROL ACTUATOR

1. Replace the electric throttle control actuator.
2. Perform [EC-500, "Throttle Valve Closed Position Learning"](#).
3. Perform [EC-500, "Idle Air Volume Learning"](#).

>> **INSPECTION END**

## Component Inspection

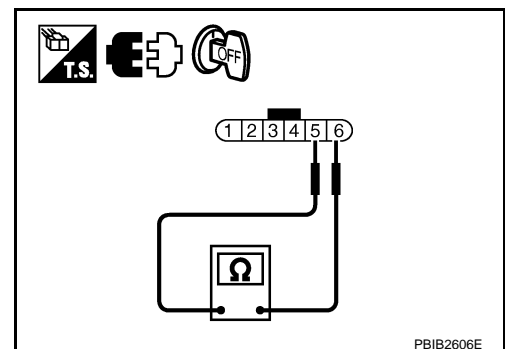
INFOID:000000004333390

### THROTTLE CONTROL MOTOR

1. Disconnect electric throttle control actuator harness connector.
2. Check resistance between terminals 5 and 6.

**Resistance: Approximately 1 - 15 Ω [at 25 °C (77°F)]**

3. If NG, replace electric throttle control actuator and go to next step.
4. Perform [EC-500, "Throttle Valve Closed Position Learning"](#).
5. Perform [EC-500, "Idle Air Volume Learning"](#).



# P2119 ELECTRIC THROTTLE CONTROL ACTUATOR

< COMPONENT DIAGNOSIS >

[VK56DE]

## P2119 ELECTRIC THROTTLE CONTROL ACTUATOR

### Component Description

INFOID:000000003936813

Electric throttle control actuator consists of throttle control motor, throttle position sensor, etc. The throttle control motor is operated by the ECM and it opens and closes the throttle valve. The current opening angle of the throttle valve is detected by the throttle position sensor. The throttle position sensor provides feedback to the ECM, when opens/closes the throttle valve in response to driving conditions via the throttle control motor.

### On Board Diagnosis Logic

INFOID:000000003936814

**This self-diagnosis has one trip detection logic.**

DTC No.	Trouble diagnosis name	DTC detecting condition		Possible cause
P2119 2119	Electric throttle control actuator	A)	Electric throttle control actuator does not function properly due to the return spring malfunction.	• Electric throttle control actuator
		B)	Throttle valve opening angle in fail-safe mode is not in specified range.	
		C)	ECM detects that the throttle valve is stuck open.	

### FAIL-SAFE MODE

When the malfunction is detected, ECM enters fail-safe mode and the MIL illuminates.

Detected items	Engine operating condition in fail-safe mode
Malfunction A	The ECM controls the electric throttle actuator by regulating the throttle opening around the idle position. The engine speed will not rise more than 2,000 rpm.
Malfunction B	ECM controls the electric throttle control actuator by regulating the throttle opening to 20 degrees or less.
Malfunction C	While the vehicle is driving, it slows down gradually by fuel cut. After the vehicle stops, the engine stalls. The engine can restart in the N or P position, and engine speed will not exceed 1,000 rpm or more.

### DTC Confirmation Procedure

INFOID:000000003936815

#### NOTE:

- Perform **PROCEDURE FOR MALFUNCTION A AND B** first. If the DTC cannot be confirmed, perform **PROCEDURE FOR MALFUNCTION C**.
- If DTC Confirmation Procedure has been previously conducted, always perform the following procedure before conducting the next test.
  1. Turn ignition switch OFF and wait at least 10 seconds.
  2. Turn ignition switch ON.
  3. Turn ignition switch OFF and wait at least 10 seconds.

#### PROCEDURE FOR MALFUNCTION A AND B

1. Turn ignition switch ON and wait at least 1 second.
2. Shift selector lever to the D position and wait at least 3 seconds.
3. Shift selector lever to the P or N position.
4. Turn ignition switch OFF and wait at least 10 seconds.
5. Turn ignition switch ON and wait at least 1 second.
6. Shift selector lever to the D position and wait at least 3 seconds.
7. Shift selector lever to the P or N position.
8. Turn ignition switch OFF, wait at least 10 seconds and then turn ON.
9. Check DTC.
10. If DTC is detected, go to [EC-836, "Diagnosis Procedure"](#).

#### PROCEDURE FOR MALFUNCTION C

1. Turn ignition switch ON and wait at least 1 second.

# P2119 ELECTRIC THROTTLE CONTROL ACTUATOR

[VK56DE]

## < COMPONENT DIAGNOSIS >

2. Shift selector lever to the D position and wait at least 3 seconds.
3. Shift selector lever to the P position.
4. Start engine and let it idle for 3 seconds.
5. Check DTC.
6. If DTC is detected, go to [EC-836, "Diagnosis Procedure"](#).

## Diagnosis Procedure

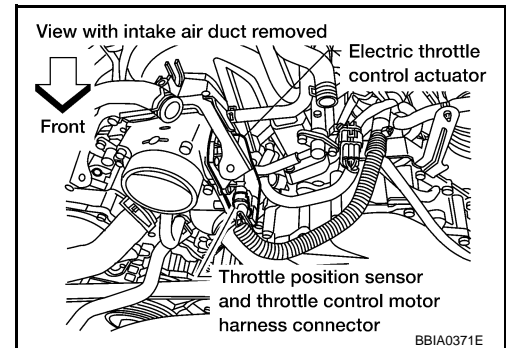
INFOID:000000003936816

### 1. CHECK ELECTRIC THROTTLE CONTROL ACTUATOR VISUALLY

1. Remove the intake air duct.
2. Check if a foreign matter is caught between the throttle valve and the housing.

#### OK or NG

- OK >> GO TO 2.  
NG >> Remove the foreign matter and clean the electric throttle control actuator inside.



### 2. REPLACE ELECTRIC THROTTLE CONTROL ACTUATOR

1. Replace the electric throttle control actuator.
2. Perform [EC-500, "Throttle Valve Closed Position Learning"](#).
3. Perform [EC-500, "Idle Air Volume Learning"](#).

>> INSPECTION END



P2122, P2123 APP SENSOR

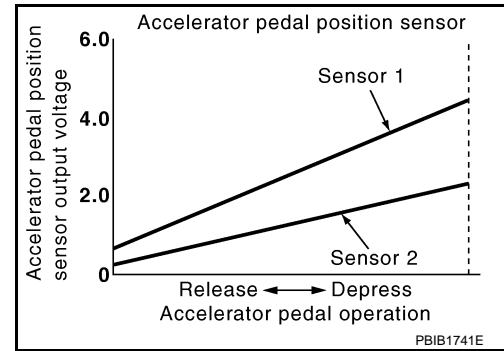
Component Description

INFOID:000000003936817

The accelerator pedal position sensor is installed on the upper end of the accelerator pedal assembly. The sensor detects the accelerator position and sends a signal to the ECM.

Accelerator pedal position sensor has two sensors. These sensors are a kind of potentiometer which transform the accelerator pedal position into output voltage, and emit the voltage signal to the ECM. The ECM judges the current opening angle of the accelerator pedal from these signals and controls the throttle valve in response to driving conditions via the throttle control motor.

Idle position of the accelerator pedal is determined by the ECM receiving the signal from the accelerator pedal position sensor. The ECM uses this signal for the engine operation such as fuel cut.



On Board Diagnosis Logic

INFOID:000000003936818

These self-diagnoses have the one trip detection logic.

NOTE:

If DTC P2122 or P2123 is displayed with DTC P0643, first perform the trouble diagnosis for DTC P0643. Refer to [EC-775, "DTC Confirmation Procedure"](#).

DTC No.	Trouble diagnosis name	DTC detecting condition	Possible cause
P2122 2122	Accelerator pedal position sensor 1 circuit low input	An excessively low voltage from the APP sensor 1 is sent to ECM.	<ul style="list-style-type: none"> <li>• Harness or connectors (The APP sensor 1 circuit is open or shorted.)</li> <li>• Accelerator pedal position sensor (Accelerator pedal position sensor 1)</li> </ul>
P2123 2123	Accelerator pedal position sensor 1 circuit high input	An excessively high voltage from the APP sensor 1 is sent to ECM.	

FAIL-SAFE MODE

When the malfunction is detected, ECM enters fail-safe mode and the MIL illuminates.

Engine operating condition in fail-safe mode

The ECM controls the electric throttle control actuator in regulating the throttle opening in order for the idle position to be within +10 degrees.

The ECM regulates the opening speed of the throttle valve to be slower than the normal condition.

So, the acceleration will be poor.

DTC Confirmation Procedure

INFOID:000000003936819

NOTE:

If DTC Confirmation Procedure has been previously conducted, always perform the following procedure before conducting the next step.

1. Turn ignition switch OFF and wait at least 10 seconds.
2. Turn ignition switch ON.
3. Turn ignition switch OFF and wait at least 10 seconds.

TESTING CONDITION:

Before performing the following procedure, confirm that battery voltage is more than 8 V at idle.

1. Start engine and let it idle for 1 second.
2. Check DTC.
3. If DTC is detected, go to [EC-837, "Diagnosis Procedure"](#).

Diagnosis Procedure

INFOID:000000003936820

1. CHECK GROUND CONNECTIONS

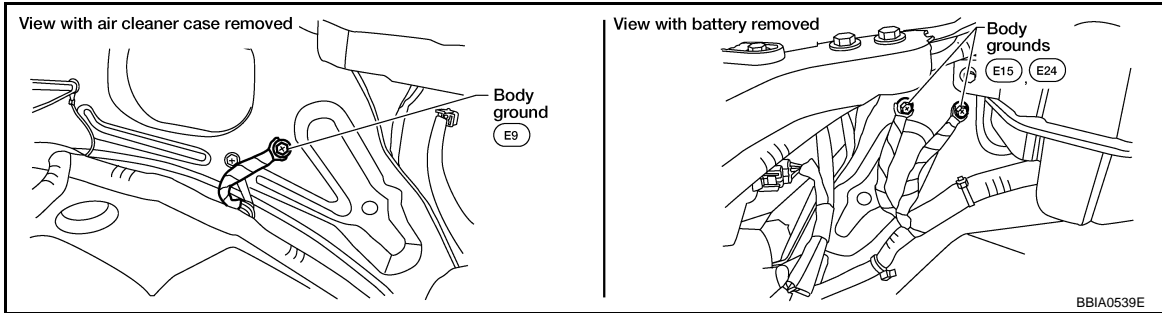
1. Turn ignition switch OFF.
2. Loosen and retighten ground screws on the body.

## P2122, P2123 APP SENSOR

[VK56DE]

### < COMPONENT DIAGNOSIS >

Refer to [EC-568](#), "Ground Inspection".



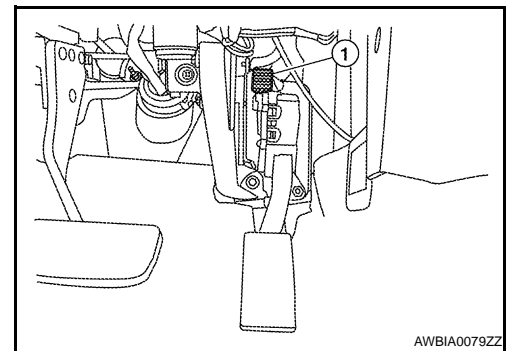
#### OK or NG

OK >> GO TO 2.

NG >> Repair or replace ground connections.

### 2. CHECK APP SENSOR 1 POWER SUPPLY CIRCUIT

1. Disconnect accelerator pedal position (APP) sensor (1) harness connector.
2. Turn ignition switch ON.



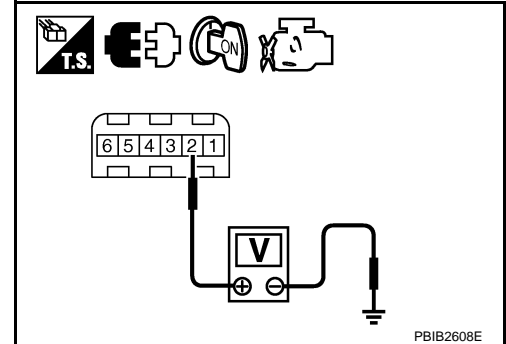
3. Check voltage between APP sensor terminal 2 and ground with CONSULT-III or tester.

**Voltage: Approximately 5 V**

#### OK or NG

OK >> GO TO 3.

NG >> Repair open circuit or short to ground or short to power in harness or connectors.



### 3. CHECK APP SENSOR 1 GROUND CIRCUIT FOR OPEN AND SHORT

1. Turn ignition switch OFF.
2. Disconnect ECM harness connector.
3. Check harness continuity between ECM terminal 82 and APP sensor terminal 4. Refer to Wiring Diagram.

**Continuity should exist.**

4. Also check harness for short to ground and short to power.

#### OK or NG

OK >> GO TO 4.

NG >> Repair open circuit or short to ground or short to power in harness or connectors.

### 4. CHECK APP SENSOR INPUT SIGNAL CIRCUIT FOR OPEN AND SHORT

1. Check harness continuity between ECM terminal 106 and APP sensor terminal 3. Refer to Wiring Diagram.

**Continuity should exist.**

## P2122, P2123 APP SENSOR

[VK56DE]

### < COMPONENT DIAGNOSIS >

2. Also check harness for short to ground and short to power.

#### OK or NG

OK >> GO TO 5.

NG >> Repair open circuit or short to ground or short to power in harness or connectors.

### 5. CHECK APP SENSOR

Refer to [EC-839, "Component Inspection"](#).

#### OK or NG

OK >> GO TO 7.

NG >> GO TO 6.

### 6. REPLACE ACCELERATOR PEDAL ASSEMBLY

1. Replace the accelerator pedal assembly.
2. Perform [EC-500, "Accelerator Pedal Released Position Learning"](#).
3. Perform [EC-500, "Throttle Valve Closed Position Learning"](#).
4. Perform [EC-500, "Idle Air Volume Learning"](#).

>> INSPECTION END

### 7. CHECK INTERMITTENT INCIDENT

Refer to [GI-49, "Intermittent Incident"](#).

>> INSPECTION END

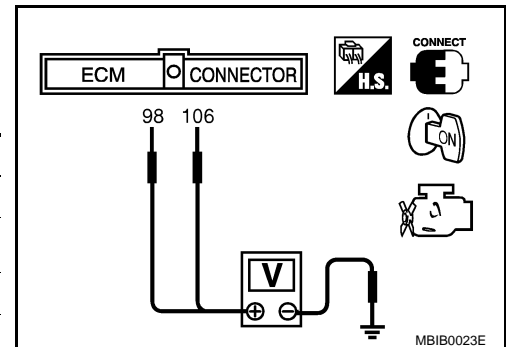
## Component Inspection

INFOID:000000003936821

### ACCELERATOR PEDAL POSITION SENSOR

1. Reconnect all harness connectors disconnected.
2. Turn ignition switch ON.
3. Check voltage between ECM terminals 106 (APP sensor 1 signal), 98 (APP sensor 2 signal) and ground under the following conditions.

Terminal	Accelerator pedal	Voltage
106 (Accelerator pedal position sensor 1)	Fully released	0.65 - 0.87V
	Fully depressed	More than 4.3V
98 (Accelerator pedal position sensor 2)	Fully released	0.28 - 0.48V
	Fully depressed	More than 2.0V



4. If NG, replace accelerator pedal assembly and go to next step.
5. Perform [EC-500, "Accelerator Pedal Released Position Learning"](#).
6. Perform [EC-500, "Throttle Valve Closed Position Learning"](#).
7. Perform [EC-500, "Idle Air Volume Learning"](#).

P2127, P2128 APP SENSOR

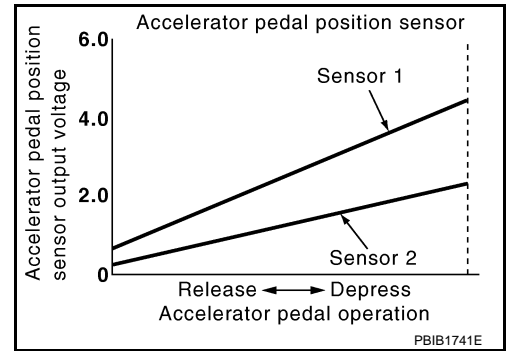
Component Description

INFOID:000000004333391

The accelerator pedal position sensor is installed on the upper end of the accelerator pedal assembly. The sensor detects the accelerator position and sends a signal to the ECM.

Accelerator pedal position sensor has two sensors. These sensors are a kind of potentiometer which transform the accelerator pedal position into output voltage, and emit the voltage signal to the ECM. The ECM judges the current opening angle of the accelerator pedal from these signals and controls the throttle valve in response to driving conditions via the throttle control motor.

Idle position of the accelerator pedal is determined by the ECM receiving the signal from the accelerator pedal position sensor. The ECM uses this signal for the engine operation such as fuel cut.



On Board Diagnosis Logic

INFOID:000000003936823

These self-diagnoses have the one trip detection logic.

DTC No.	Trouble diagnosis name	DTC detecting condition	Possible cause
P2127 2127	Accelerator pedal position sensor 2 circuit low input	An excessively low voltage from the APP sensor 2 is sent to ECM.	<ul style="list-style-type: none"> <li>• Harness or connectors (APP sensor 2 circuit is open or shorted.) (TP sensor circuit is shorted.)</li> <li>• Accelerator pedal position sensor (Accelerator pedal position sensor 2)</li> <li>• Electric throttle control actuator (TP sensor)</li> </ul>
P2128 2128	Accelerator pedal position sensor 2 circuit high input	An excessively high voltage from the APP sensor 2 is sent to ECM.	

FAIL-SAFE MODE

When the malfunction is detected, ECM enters fail-safe mode and the MIL illuminates.

Engine operating condition in fail-safe mode

The ECM controls the electric throttle control actuator in regulating the throttle opening in order for the idle position to be within +10 degrees.  
 The ECM regulates the opening speed of the throttle valve to be slower than the normal condition.  
 So, the acceleration will be poor.

DTC Confirmation Procedure

INFOID:000000003936824

NOTE:

If DTC Confirmation Procedure has been previously conducted, always perform the following procedure before conducting the next step.

1. Turn ignition switch OFF and wait at least 10 seconds.
2. Turn ignition switch ON.
3. Turn ignition switch OFF and wait at least 10 seconds.

TESTING CONDITION:

Before performing the following procedure, confirm that battery voltage is more than 8 V at idle.

1. Start engine and let it idle for 1 second.
2. Check DTC.
3. If DTC is detected, go to [EC-840, "Diagnosis Procedure"](#).

Diagnosis Procedure

INFOID:000000003936825

1. CHECK GROUND CONNECTIONS

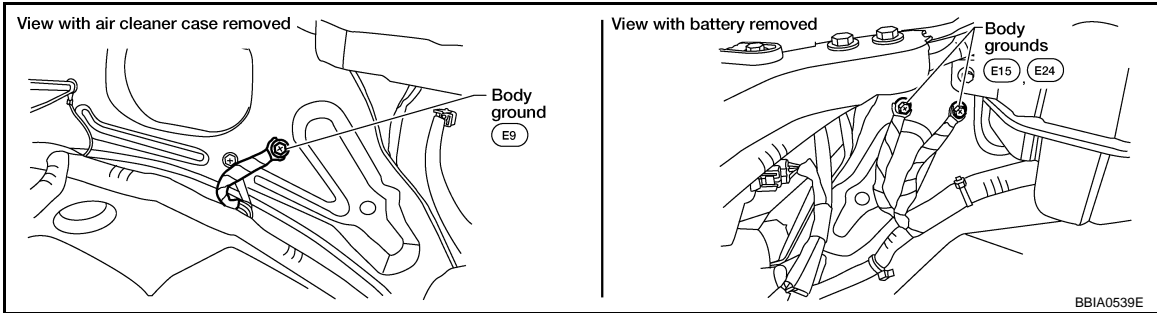
1. Turn ignition switch OFF.
2. Loosen and retighten ground screws on the body.

# P2127, P2128 APP SENSOR

[VK56DE]

## < COMPONENT DIAGNOSIS >

Refer to [EC-568, "Ground Inspection"](#).

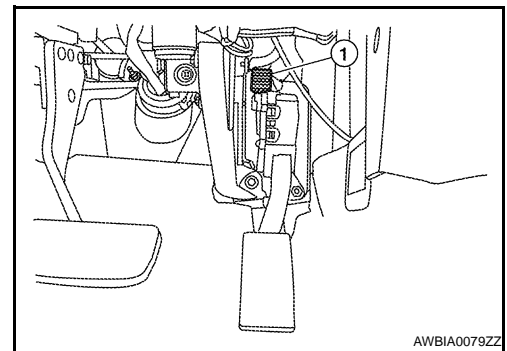


### OK or NG

- OK >> GO TO 2.
- NG >> Repair or replace ground connections.

## 2. CHECK APP SENSOR 2 POWER SUPPLY CIRCUIT-I

1. Disconnect accelerator pedal position (APP) sensor (1) harness connector.
2. Turn ignition switch ON.

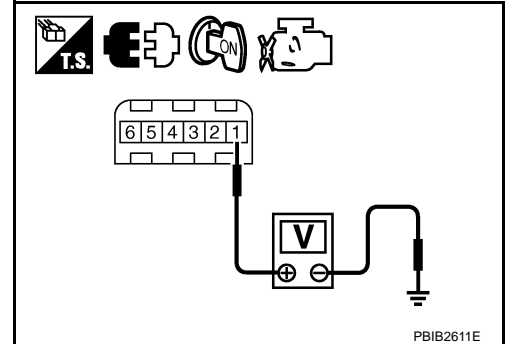


3. Check voltage between APP sensor terminal 1 and ground with CONSULT-III or tester.

**Voltage: Approximately 5 V**

### OK or NG

- OK >> GO TO 7.
- NG >> GO TO 3.



## 3. CHECK APP SENSOR 2 POWER SUPPLY CIRCUIT-II

1. Turn ignition switch OFF.
2. Disconnect ECM harness connector.
3. Check harness continuity between APP sensor terminal 1 and ECM terminal 91. Refer to Wiring Diagram.

**Continuity should exist.**

### OK or NG

- OK >> GO TO 4.
- NG >> Repair open circuit.

## 4. CHECK SENSOR POWER SUPPLY CIRCUIT

Check harness for short to power and short to ground, between the following terminals

ECM terminal	Sensor terminal	Reference Wiring Diagram
47	Electric throttle control actuator terminal 2	<a href="#">EC-899, "Wiring Diagram - ENGINE CONTROL SYSTEM"</a>
91	APP sensor terminal 1	

## P2127, P2128 APP SENSOR

[VK56DE]

< COMPONENT DIAGNOSIS >

---

OK or NG

- OK >> GO TO 5.
- NG >> Repair short to ground or short to power in harness or connectors.

### 5. CHECK THROTTLE POSITION SENSOR

---

Refer to [EC-847, "Component Inspection"](#).

OK or NG

- OK >> GO TO 11.
- NG >> GO TO 6.

### 6. REPLACE ELECTRIC THROTTLE CONTROL ACTUATOR

---

1. Replace the electric throttle control actuator.
2. Perform [EC-500, "Throttle Valve Closed Position Learning"](#).
3. Perform [EC-500, "Idle Air Volume Learning"](#).

>> **INSPECTION END**

### 7. CHECK APP SENSOR 2 GROUND CIRCUIT FOR OPEN AND SHORT

---

1. Turn ignition switch OFF.
2. Disconnect ECM harness connector.
3. Check harness continuity between ECM terminal 83 and APP sensor terminal 5.  
Refer to Wiring Diagram.

**Continuity should exist.**

4. Also check harness for short to ground and short to power.

OK or NG

- OK >> GO TO 8.
- NG >> Repair open circuit or short to ground or short to power in harness or connectors.

### 8. CHECK APP SENSOR 2 INPUT SIGNAL CIRCUIT FOR OPEN AND SHORT

---

1. Check harness continuity between ECM terminal 98 and APP sensor terminal 6.  
Refer to Wiring Diagram.

**Continuity should exist.**

2. Also check harness for short to ground and short to power.

OK or NG

- OK >> GO TO 9.
- NG >> Repair open circuit or short to ground or short to power in harness or connectors.

### 9. CHECK APP SENSOR

---

Refer to [EC-843, "Component Inspection"](#).

OK or NG

- OK >> GO TO 11.
- NG >> GO TO 10.

### 10. REPLACE ACCELERATOR PEDAL ASSEMBLY

---

1. Replace the accelerator pedal assembly.
2. Perform [EC-500, "Accelerator Pedal Released Position Learning"](#).
3. Perform [EC-500, "Throttle Valve Closed Position Learning"](#).
4. Perform [EC-500, "Idle Air Volume Learning"](#).

>> **INSPECTION END**

### 11. CHECK INTERMITTENT INCIDENT

---

Refer to [GI-49, "Intermittent Incident"](#).

# P2127, P2128 APP SENSOR

< COMPONENT DIAGNOSIS >

[VK56DE]

>> INSPECTION END

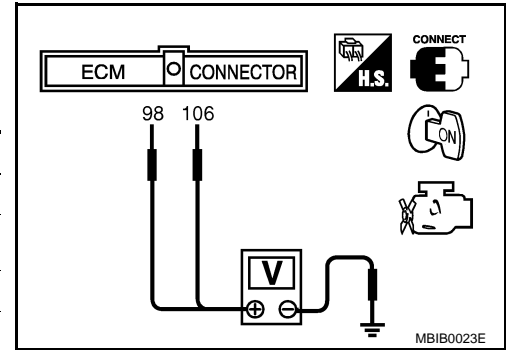
## Component Inspection

INFOID:000000004333393

### ACCELERATOR PEDAL POSITION SENSOR

1. Reconnect all harness connectors disconnected.
2. Turn ignition switch ON.
3. Check voltage between ECM terminals 106 (APP sensor 1 signal), 98 (APP sensor 2 signal) and ground under the following conditions.

Terminal	Accelerator pedal	Voltage
106 (Accelerator pedal position sensor 1)	Fully released	0.65 - 0.87V
	Fully depressed	More than 4.3V
98 (Accelerator pedal position sensor 2)	Fully released	0.28 - 0.48V
	Fully depressed	More than 2.0V



4. If NG, replace accelerator pedal assembly and go to next step.
5. Perform [EC-500, "Accelerator Pedal Released Position Learning"](#).
6. Perform [EC-500, "Throttle Valve Closed Position Learning"](#).
7. Perform [EC-500, "Idle Air Volume Learning"](#).

# P2135 TP SENSOR

< COMPONENT DIAGNOSIS >

[VK56DE]

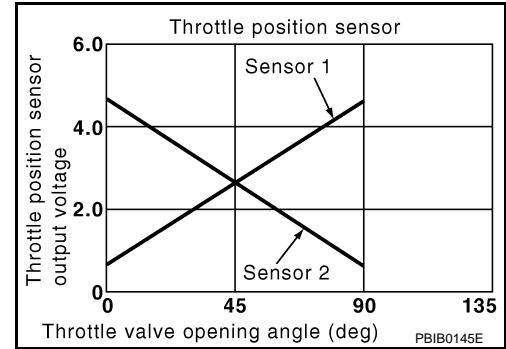
## P2135 TP SENSOR

### Component Description

INFOID:000000004333344

Electric throttle control actuator consists of throttle control motor, throttle position sensor, etc. The throttle position sensor responds to the throttle valve movement.

The throttle position sensor has the two sensors. These sensors are a kind of potentiometer which transform the throttle valve position into output voltage, and emit the voltage signals to the ECM. The ECM judges the current opening angle of the throttle valve from these signals and controls the throttle valve in response to driving conditions via the throttle control motor.



### On Board Diagnosis Logic

INFOID:000000003936828

**This self-diagnosis has the one trip detection logic.**

DTC No.	Trouble diagnosis name	DTC detecting condition	Possible cause
P2135 2135	Throttle position sensor circuit range/performance	Rationally incorrect voltage is sent to ECM compared with the signals from TP sensor 1 and TP sensor 2.	<ul style="list-style-type: none"><li>• Harness or connector (TP sensor 1 and 2 circuit is open or shorted.) (APP sensor 2 circuit is shorted.)</li><li>• Electric throttle control actuator (TP sensor 1 and 2)</li><li>• Accelerator pedal position sensor (APP sensor 2)</li></ul>

### FAIL-SAFE MODE

When the malfunction is detected, the ECM enters fail-safe mode and the MIL illuminates.

#### Engine operation condition in fail-safe mode

The ECM controls the electric throttle control actuator in regulating the throttle opening in order for the idle position to be within +10 degrees.

The ECM regulates the opening speed of the throttle valve to be slower than the normal condition.

So, the acceleration will be poor.

### DTC Confirmation Procedure

INFOID:000000003936829

#### NOTE:

If DTC Confirmation Procedure has been previously conducted, always perform the following procedure before conducting the next step.

1. Turn ignition switch OFF and wait at least 10 seconds.
2. Turn ignition switch ON.
3. Turn ignition switch OFF and wait at least 10 seconds.

#### TESTING CONDITION:

**Before performing the following procedure, confirm that battery voltage is more than 8 V at idle.**

1. Start engine and let it idle for 1 second.
2. Check DTC.
3. If DTC is detected, go to [EC-844. "Diagnosis Procedure"](#).

### Diagnosis Procedure

INFOID:000000003936830

#### 1. CHECK GROUND CONNECTIONS

1. Turn ignition switch OFF.
2. Loosen and retighten ground screws on the body.

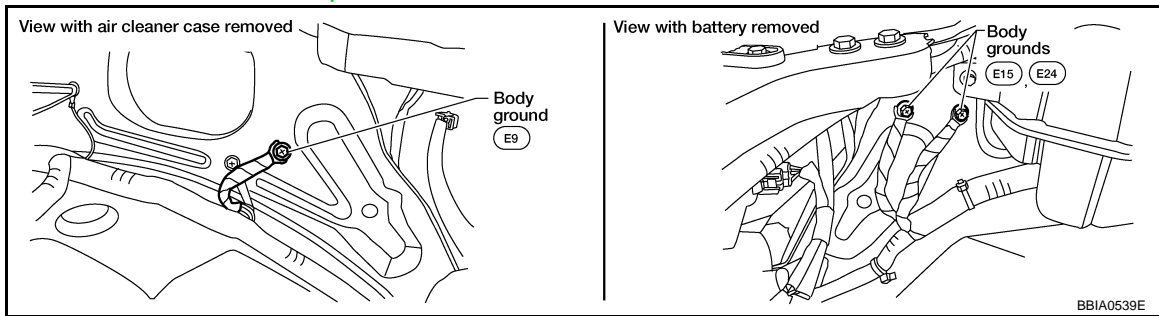


# P2135 TP SENSOR

< COMPONENT DIAGNOSIS >

[VK56DE]

Refer to [EC-568. "Ground Inspection"](#).



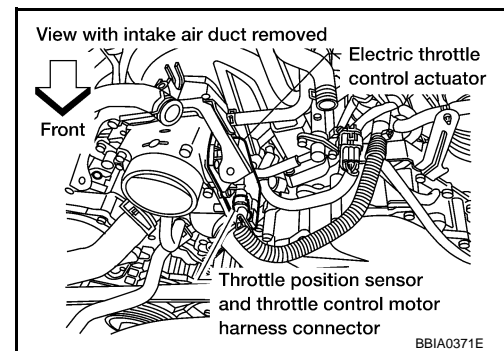
OK or NG

OK >> GO TO 2.

NG >> Repair or replace ground connections.

## 2. CHECK THROTTLE POSITION SENSOR POWER SUPPLY CIRCUIT-I

1. Disconnect electric throttle control actuator harness connector.
2. Turn ignition switch ON.



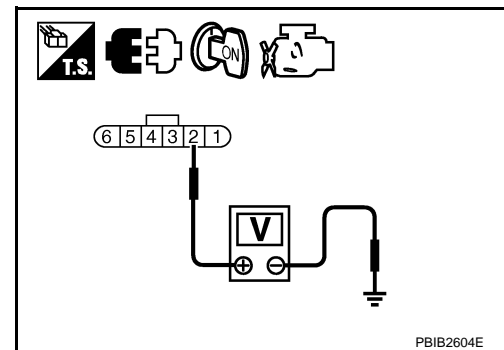
3. Check voltage between electric throttle control actuator terminal 2 and ground with CONSULT-III or tester.

**Voltage: Approximately 5 V**

OK or NG

OK >> GO TO 7.

NG >> GO TO 3.



## 3. CHECK THROTTLE POSITION SENSOR POWER SUPPLY CIRCUIT-II

1. Turn ignition switch OFF.
2. Disconnect ECM harness connector.
3. Check harness continuity between electric throttle control actuator terminal 2 and ECM terminal 47. Refer to Wiring Diagram.

**Continuity should exist.**

OK or NG

OK >> GO TO 4.

NG >> Repair open circuit.

## 4. CHECK SENSOR POWER SUPPLY CIRCUIT

Check harness for short to power and short to ground, between the following terminals.

ECM terminal	Sensor terminal	Reference Wiring Diagram
47	Electric throttle control actuator terminal 2	<a href="#">EC-899. "Wiring Diagram - ENGINE CONTROL SYSTEM"</a>
91	APP sensor terminal 1	

## P2135 TP SENSOR

[VK56DE]

< COMPONENT DIAGNOSIS >

OK or NG

OK >> GO TO 5.

NG >> Repair short to ground or short to power in harness or connectors.

### 5. CHECK ACCELERATOR PEDAL POSITION SENSOR

Refer to [EC-851, "Component Inspection"](#).

OK or NG

OK >> GO TO 11.

NG >> GO TO 6.

### 6. REPLACE ACCELERATOR PEDAL ASSEMBLY

1. Replace the accelerator pedal assembly.
2. Perform [EC-500, "Accelerator Pedal Released Position Learning"](#).
3. Perform [EC-500, "Throttle Valve Closed Position Learning"](#).
4. Perform [EC-500, "Idle Air Volume Learning"](#).

>> **INSPECTION END**

### 7. CHECK THROTTLE POSITION SENSOR GROUND CIRCUIT FOR OPEN AND SHORT

1. Turn ignition switch OFF.
2. Disconnect ECM harness connector.
3. Check harness continuity between electric throttle control actuator terminal 4 and ECM terminal 66.  
Refer to Wiring Diagram.

**Continuity should exist.**

4. Also check harness for short to ground and short to power.

OK or NG

OK >> GO TO 8.

NG >> Repair open circuit or short to ground or short to power in harness or connectors.

### 8. CHECK THROTTLE POSITION SENSOR INPUT SIGNAL CIRCUIT FOR OPEN AND SHORT

1. Check harness continuity between ECM terminal 50 and electric throttle control actuator terminal 1, ECM terminal 69 and electric throttle control actuator terminal 3.  
Refer to Wiring Diagram.

**Continuity should exist.**

2. Also check harness for short to ground and short to power.

OK or NG

OK >> GO TO 9.

NG >> Repair open circuit or short to ground or short to power in harness or connectors.

### 9. CHECK THROTTLE POSITION SENSOR

Refer to [EC-847, "Component Inspection"](#).

OK or NG

OK >> GO TO 11.

NG >> GO TO 10.

### 10. REPLACE ELECTRIC THROTTLE CONTROL ACTUATOR

1. Replace the electric throttle control actuator.
2. Perform [EC-500, "Throttle Valve Closed Position Learning"](#).
3. Perform [EC-500, "Idle Air Volume Learning"](#).

>> **INSPECTION END**

### 11. CHECK INTERMITTENT INCIDENT

Refer to [GI-49, "Intermittent Incident"](#).

>> **INSPECTION END**

## Component Inspection

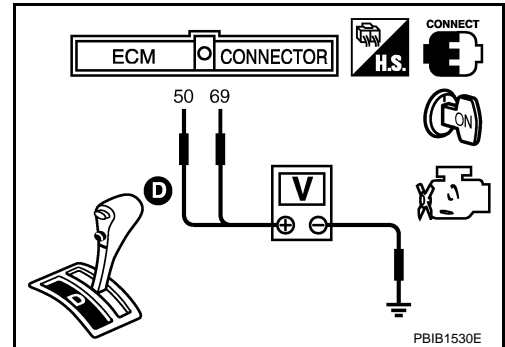
INFOID:000000004333345

### THROTTLE POSITION SENSOR

1. Reconnect all harness connectors disconnected.
2. Perform [EC-500. "Throttle Valve Closed Position Learning"](#).
3. Turn ignition switch ON.
4. Shift selector lever to the D position.
5. Check voltage between ECM terminals 50 (TP sensor 1 signal) and ground, 69 (TP sensor 2 signal) and ground under the following conditions.

Terminal	Accelerator pedal	Voltage
50 (Throttle position sensor 1)	Fully released	More than 0.36V
	Fully depressed	Less than 4.75V
69 (Throttle position sensor 2)	Fully released	Less than 4.75V
	Fully depressed	More than 0.36V

6. If NG, replace electric throttle control actuator and go to the next step.
7. Perform [EC-500. "Throttle Valve Closed Position Learning"](#).
8. Perform [EC-500. "Idle Air Volume Learning"](#).



P2138 APP SENSOR

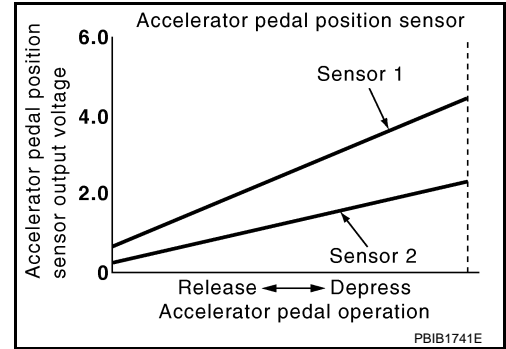
Component Description

INFOID:000000004333392

The accelerator pedal position sensor is installed on the upper end of the accelerator pedal assembly. The sensor detects the accelerator position and sends a signal to the ECM.

Accelerator pedal position sensor has two sensors. These sensors are a kind of potentiometer which transform the accelerator pedal position into output voltage, and emit the voltage signal to the ECM. The ECM judges the current opening angle of the accelerator pedal from these signals and controls the throttle valve in response to driving conditions via the throttle control motor.

Idle position of the accelerator pedal is determined by the ECM receiving the signal from the accelerator pedal position sensor. The ECM uses this signal for the engine operation such as fuel cut.



On Board Diagnosis Logic

INFOID:000000003936833

This self-diagnosis has the one trip detection logic.

NOTE:

If DTC P2138 is displayed with DTC P0643, first perform the trouble diagnosis for DTC P0643. Refer to [EC-775, "DTC Confirmation Procedure"](#).

DTC No.	Trouble diagnosis name	DTC detecting condition	Possible cause
P2138 2138	Accelerator pedal position sensor circuit range/performance	Rationally incorrect voltage is sent to ECM compared with the signals from APP sensor 1 and APP sensor 2.	<ul style="list-style-type: none"> <li>• Harness or connector (APP sensor 1 or 2 circuit is open or shorted.) (TP sensor circuit is shorted.)</li> <li>• Accelerator pedal position sensor 1 or 2</li> <li>• Electric throttle control actuator (TP sensor)</li> </ul>

FAIL-SAFE MODE

When the malfunction is detected, ECM enters fail-safe mode and the MIL illuminates.

Engine operating condition in fail-safe mode

The ECM controls the electric throttle control actuator in regulating the throttle opening in order for the idle position to be within +10 degrees.  
 The ECM regulates the opening speed of the throttle valve to be slower than the normal condition.  
 So, the acceleration will be poor.

DTC Confirmation Procedure

INFOID:000000003936834

NOTE:

If DTC Confirmation Procedure has been previously conducted, always perform the following procedure before conducting the next step.

1. Turn ignition switch OFF and wait at least 10 seconds.
2. Turn ignition switch ON.
3. Turn ignition switch OFF and wait at least 10 seconds.

TESTING CONDITION:

Before performing the following procedure, confirm that battery voltage is more than 8 V at idle.

1. Start engine and let it idle for 1 second.
2. Check DTC.
3. If DTC is detected, go to [EC-848, "Diagnosis Procedure"](#).

Diagnosis Procedure

INFOID:000000003936835

1. CHECK GROUND CONNECTIONS

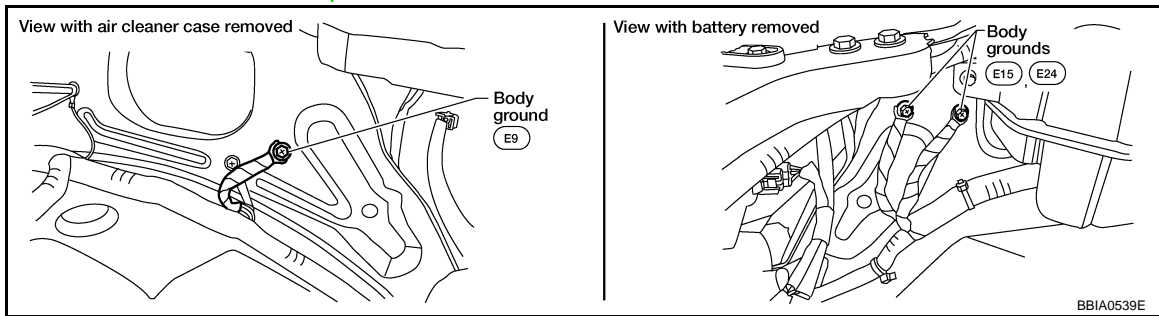
1. Turn ignition switch OFF.
2. Loosen and retighten ground screws on the body.

# P2138 APP SENSOR

< COMPONENT DIAGNOSIS >

[VK56DE]

Refer to [EC-568, "Ground Inspection"](#).



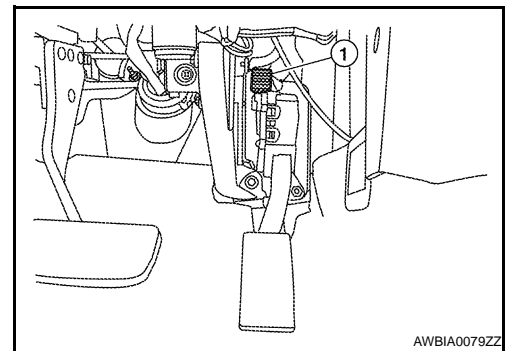
OK or NG

OK >> GO TO 2.

NG >> Repair or replace ground connections.

## 2. CHECK APP SENSOR 1 POWER SUPPLY CIRCUIT

1. Disconnect accelerator pedal position (APP) sensor (1) harness connector.
2. Turn ignition switch ON.



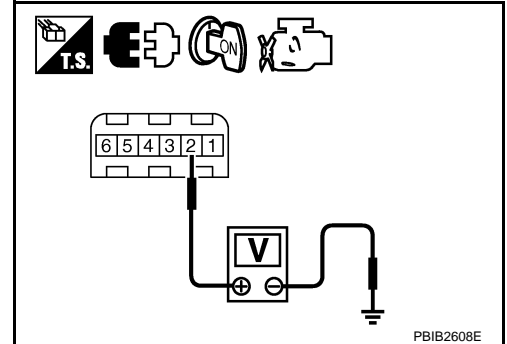
3. Check voltage between APP sensor terminal 2 and ground with CONSULT-III or tester.

**Voltage: Approximately 5 V**

OK or NG

OK >> GO TO 3.

NG >> Repair open circuit or short to ground or short to power in harness or connectors.



## 3. CHECK APP SENSOR 2 POWER SUPPLY CIRCUIT-I

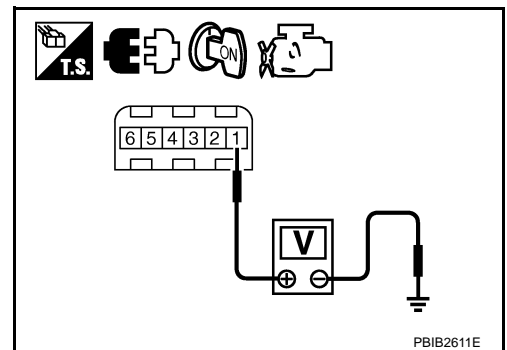
1. Turn ignition switch ON.
2. Check voltage between APP sensor terminal 1 and ground with CONSULT-III or tester.

**Voltage: Approximately 5V**

OK or NG

OK >> GO TO 8.

NG >> GO TO 4.



## 4. CHECK APP SENSOR 2 POWER SUPPLY CIRCUIT-II

1. Turn ignition switch OFF.
2. Disconnect ECM harness connector.
3. Check harness continuity between APP sensor terminal 1 and ECM terminal 91. Refer to Wiring Diagram.

A  
EC  
C  
D  
E  
F  
G  
H  
I  
J  
K  
L  
M  
N  
O  
P

**Continuity should exist.**

OK or NG

- OK >> GO TO 5.
- NG >> Repair open circuit in harness or connectors.

**5.CHECK SENSOR POWER SUPPLY CIRCUIT**

Check harness for short to power and short to ground, between the following terminals

ECM terminal	Sensor terminal	Reference Wiring Diagram
47	Electric throttle control actuator terminal 2	<a href="#">EC-899. "Wiring Diagram - ENGINE CONTROL SYSTEM"</a>
91	APP sensor terminal 1	"-

OK or NG

- OK >> GO TO 6.
- NG >> Repair short to ground or short to power in harness connectors.

**6.CHECK THROTTLE POSITION SENSOR**

Refer to [EC-847. "Component Inspection"](#).

OK or NG

- OK >> GO TO 12.
- NG >> GO TO 7.

**7.REPLACE ELECTRIC THROTTLE CONTROL ACTUATOR**

1. Replace the electric throttle control actuator.
2. Perform [EC-500. "Throttle Valve Closed Position Learning"](#).
3. Perform [EC-500. "Idle Air Volume Learning"](#).

**>> INSPECTION END**

**8.CHECK APP SENSOR GROUND CIRCUIT FOR OPEN AND SHORT**

1. Turn ignition switch OFF.
2. Disconnect ECM harness connector.
3. Check harness continuity between ECM terminal 82 and APP sensor terminal 4, ECM terminal 83 and APP sensor terminal 5.  
Refer to Wiring Diagram.

**Continuity should exist.**

4. Also check harness for short to ground and short to power.

OK or NG

- OK >> GO TO 9.
- NG >> Repair open circuit or short to ground or short to power in harness or connectors.

**9.CHECK APP SENSOR INPUT SIGNAL CIRCUIT FOR OPEN AND SHORT**

1. Check harness continuity between ECM terminal 106 and APP sensor terminal 3, ECM terminal 98 and APP sensor terminal 6.  
Refer to Wiring Diagram.

**Continuity should exist.**

2. Also check harness for short to ground and short to power.

OK or NG

- OK >> GO TO 10.
- NG >> Repair open circuit or short to ground or short to power in harness or connectors.

**10.CHECK ACCELERATOR PEDAL POSITION SENSOR**

Refer to [EC-851. "Component Inspection"](#).

< COMPONENT DIAGNOSIS >

OK or NG

- OK >> GO TO 12.
- NG >> GO TO 11.

**11. REPLACE ACCELERATOR PEDAL ASSEMBLY**

1. Replace the accelerator pedal assembly.
2. Perform [EC-500. "Accelerator Pedal Released Position Learning"](#).
3. Perform [EC-500. "Throttle Valve Closed Position Learning"](#).
4. Perform [EC-500. "Idle Air Volume Learning"](#).

>> INSPECTION END

**12. CHECK INTERMITTENT INCIDENT**

Refer to [GI-49. "Intermittent Incident"](#).

>> INSPECTION END

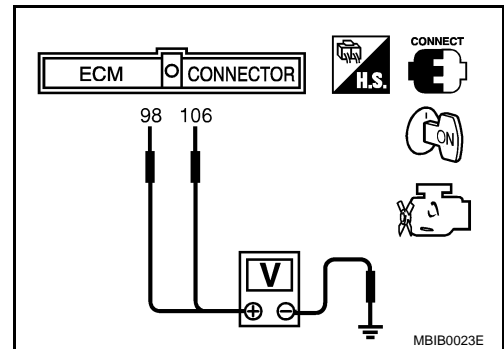
Component Inspection

INFOID:000000004333394

ACCELERATOR PEDAL POSITION SENSOR

1. Reconnect all harness connectors disconnected.
2. Turn ignition switch ON.
3. Check voltage between ECM terminals 106 (APP sensor 1 signal), 98 (APP sensor 2 signal) and ground under the following conditions.

Terminal	Accelerator pedal	Voltage
106 (Accelerator pedal position sensor 1)	Fully released	0.65 - 0.87V
	Fully depressed	More than 4.3V
98 (Accelerator pedal position sensor 2)	Fully released	0.28 - 0.48V
	Fully depressed	More than 2.0V



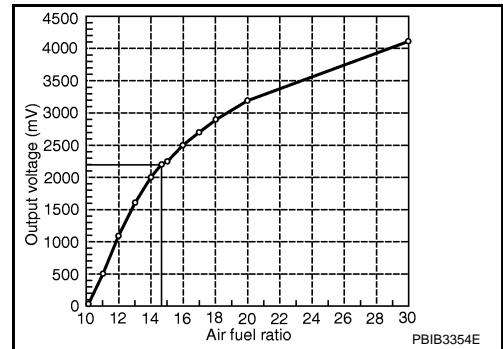
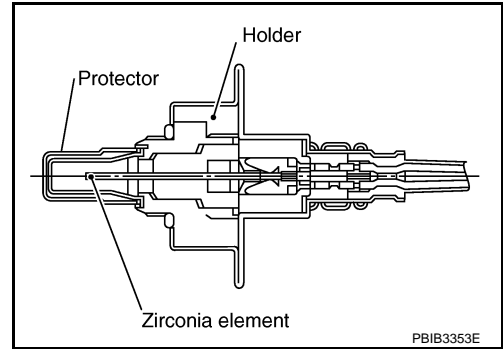
4. If NG, replace accelerator pedal assembly and go to next step.
5. Perform [EC-500. "Accelerator Pedal Released Position Learning"](#).
6. Perform [EC-500. "Throttle Valve Closed Position Learning"](#).
7. Perform [EC-500. "Idle Air Volume Learning"](#).

P2A00, P2A03 A/F SENSOR 1

Component Description

INFOID:000000004333354

The air fuel ratio (A/F) sensor 1 is a planar one-cell limit current sensor. The sensor element of the A/F sensor 1 is composed an electrode layer, which transports ions. It has a heater in the element. The sensor is capable of precise measurement  $\lambda = 1$ , but also in the lean and rich range. Together with its control electronics, the sensor outputs a clear, continuous signal throughout a wide  $\lambda$  range. The exhaust gas components diffuse through the diffusion layer at the sensor cell. An electrode layer is applied voltage, and this current relative oxygen density in lean. Also this current relative hydrocarbon density in rich. Therefore, the A/F sensor 1 is able to indicate air fuel ratio by this electrode layer of current. In addition, a heater is integrated in the sensor to ensure the required operating temperature of approximately 800°C (1,472°F).



On Board Diagnosis Logic

INFOID:000000003936838

To judge malfunctions, the A/F signal computed by ECM from the A/F sensor 1 signal is monitored not to be shifted to LEAN side or RICH side.

DTC No.	Trouble diagnosis name	DTC detecting condition	Possible cause
P2A00 2A00 (Bank 1)	Air fuel ratio (A/F) sensor 1 circuit range/performance	<ul style="list-style-type: none"> <li>The output voltage computed by ECM from the A/F sensor 1 signal shifts to the lean side for a specified period.</li> <li>The A/F signal computed by ECM from the A/F sensor 1 signal shifts to the rich side for a specified period.</li> </ul>	<ul style="list-style-type: none"> <li>A/F sensor 1</li> <li>A/F sensor 1 heater</li> <li>Fuel pressure</li> <li>Fuel injector</li> <li>Intake air leakage</li> </ul>
P2A03 2A03 (Bank 2)			

DTC Confirmation Procedure

INFOID:000000003936839

**NOTE:**

If DTC Confirmation Procedure has been previously conducted, always perform the following procedure before conducting the next step.

1. Turn ignition switch OFF and wait at least 10 seconds.
2. Turn ignition switch ON.
3. Turn ignition switch OFF and wait at least 10 seconds.

**TESTING CONDITION:**

Before performing the following procedure, confirm that battery voltage is more than 11 V at idle.

④ WITH CONSULT-III

1. Start engine and warm it up to normal operating temperature.
2. Turn ignition switch OFF and wait at least 10 seconds.
3. Turn ignition switch ON.
4. Turn ignition switch OFF and wait at least 10 seconds.
5. Turn ignition switch ON and select "SELF-LEARNING CONT" in "WORK SUPPORT" mode with CONSULT-III.



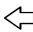
# P2A00, P2A03 A/F SENSOR 1

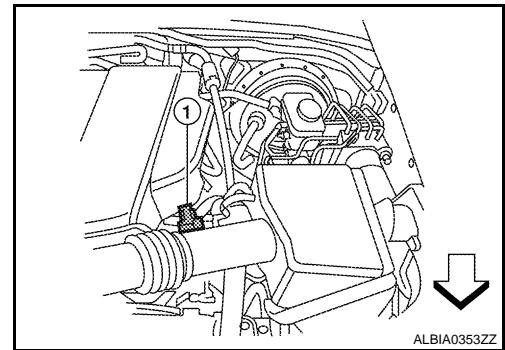
[VK56DE]

## < COMPONENT DIAGNOSIS >

6. Clear the self-learning coefficient by touching "CLEAR".
7. Turn ignition switch OFF and wait at least 10 seconds.
8. Turn ignition switch ON.
9. Turn ignition switch OFF and wait at least 10 seconds.
10. Start engine and keep the engine speed between 3,500 and 4,000 rpm for 1 minute under no load.
11. Let engine idle for 1 minute.
12. Keep engine speed between 2,500 and 3,000 rpm for 20 minutes.
13. Check 1st trip DTC.
14. If 1st trip DTC is detected, go to [EC-853, "Diagnosis Procedure"](#).

### WITH GST

1. Start engine and warm it up to normal operating temperature.
  2. Turn ignition switch OFF and wait at least 10 seconds.
  3. Turn ignition switch ON.
  4. Turn ignition switch OFF and wait at least 10 seconds.
  5. Disconnect mass air flow sensor (1) harness connector.
-  Vehicle front
6. Start engine and let it idle for at least 5 seconds.
  7. Stop engine and reconnect mass air flow sensor harness connector.
  8. Select Service \$03 with GST and check that DTC P0102 is detected.
  9. Select Service \$04 with GST and erase the DTC P0102.
  10. Start engine and keep the engine speed between 3,500 and 4,000 rpm for 1 minute under no load.
  11. Let engine idle for 1 minute.
  12. Keep engine speed between 2,500 and 3,000 rpm for 20 minutes.
  13. Select Service \$07 with GST.  
If 1st trip DTC is detected, go to [EC-853, "Diagnosis Procedure"](#).

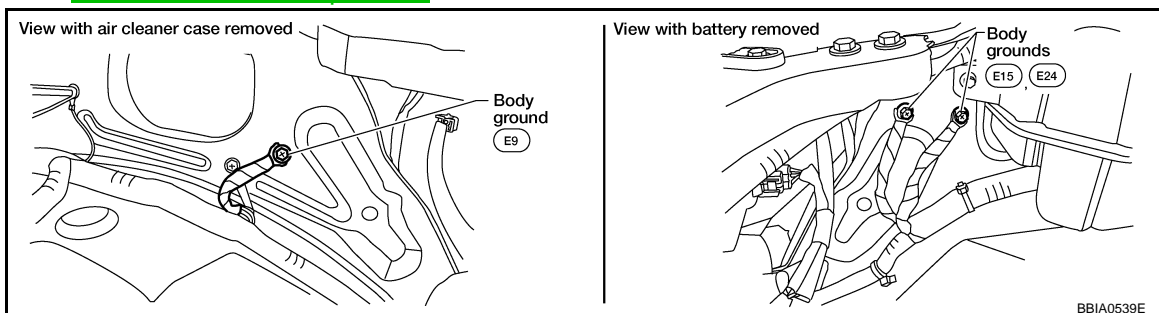


## Diagnosis Procedure

INFOID:000000003936840

### 1. CHECK GROUND CONNECTIONS

1. Turn ignition switch OFF.
2. Loosen and retighten ground screws on the body.  
Refer to [EC-568, "Ground Inspection"](#).



#### OK or NG

- OK >> GO TO 2.
- NG >> Repair or replace ground connections.

### 2. RETIGHTEN AIR FUEL RATIO SENSOR 1

- Loosen and retighten air fuel ratio (A/F) sensor 1.  
Refer to [EM-172, "Removal and Installation"](#).

< COMPONENT DIAGNOSIS >

>> GO TO 3.

**3. CHECK FOR INTAKE AIR LEAKAGE**

1. Start engine and run it at idle.
2. Listen for an intake air leakage after the mass air flow sensor.

OK or NG

- OK >> GO TO 4.  
 NG >> Repair or replace.

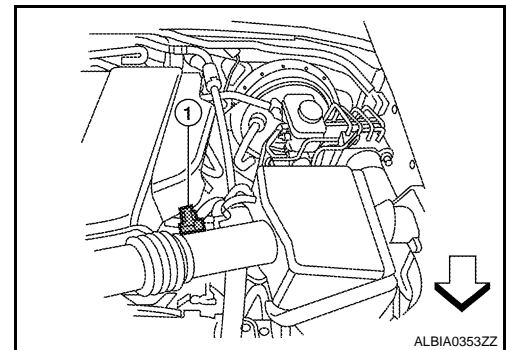
**4. CLEAR THE SELF-LEARNING DATA**

**Ⓟ With CONSULT-III**

1. Start engine and warm it up to normal operating temperature.
  2. Select "SELF-LEARNING CONT" in "WORK SUPPORT" mode with CONSULT-III.
  3. Clear the self-learning control coefficient by touching "CLEAR".
  4. Run engine for at least 10 minutes at idle speed.
- Is the 1st trip DTC P0171, P0172, P0174 or P0175 detected?  
 Is it difficult to start engine?**

**⊗ Without CONSULT-III**

1. Start engine and warm it up to normal operating temperature.
  2. Turn ignition switch OFF.
  3. Disconnect mass air flow sensor (1) harness connector.
  - ⇐: Vehicle front
  4. Restart engine and let it idle for at least 5 seconds.
  5. Stop engine and reconnect mass air flow sensor harness connector.
  6. Check that DTC P0102 is displayed.
  7. Erase the DTC memory. Refer to [EC-525, "Emission-related Diagnostic Information"](#).
  8. Check that DTC P0000 is displayed.
  9. Run engine for at least 10 minutes at idle speed.
- Is the 1st trip DTC P0171, P0172, P0174 or P0175 detected?  
 Is it difficult to start engine?**

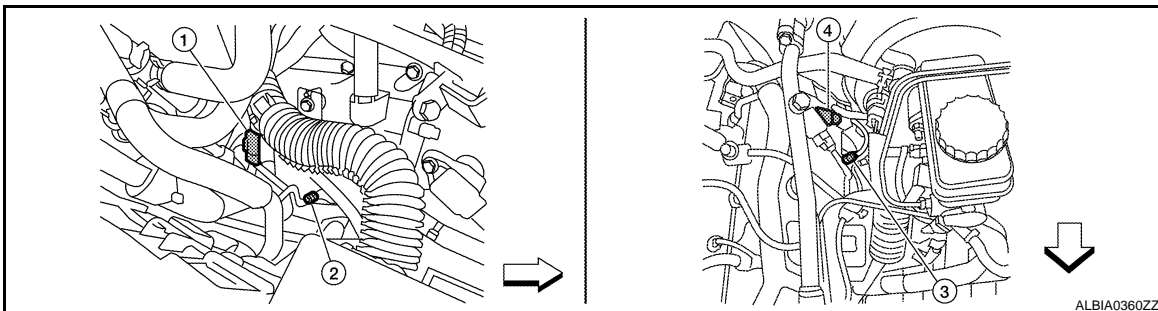


Yes or No

- Yes >> Perform trouble diagnosis for DTC P0171, P0174 or P0172, P0175. Refer to [EC-659, "Diagnosis Procedure"](#) or [EC-663, "Diagnosis Procedure"](#).
- No >> GO TO 5.

**5. CHECK HARNESS CONNECTOR**

1. Turn ignition switch OFF.
2. Disconnect A/F sensor 1 harness connector.



1. A/F sensor 1 (bank 2) harness connector    2. A/F sensor 1 (bank 2)    3. A/F sensor 1 (bank 1)
4. A/F sensor 1 (bank 1) harness connector
- ⇐ : Vehicle front

3. Check harness connector for water.

**Water should not exit.**

OK or NG

- OK >> GO TO 6.
- NG >> Repair or replace harness connector.

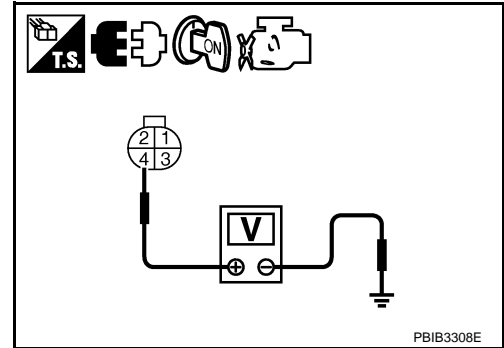
**6. CHECK A/F SENSOR 1 POWER SUPPLY CIRCUIT**

1. Turn ignition switch ON.
2. Check voltage between A/F sensor 1 terminal 4 and ground with CONSULT-III or tester.

**Voltage: Battery voltage**

OK or NG

- OK >> GO TO 8.
- NG >> GO TO 7.



**7. DETECT MALFUNCTIONING PART**

Check the following.

- Harness connectors E5, F14
- IPDM E/R harness connector E119
- 15 A fuse (No. 54)
- Harness for open or short between A/F sensor 1 and IPDM E/R

>> Repair or replace harness or connectors.

**8. CHECK A/F SENSOR 1 INPUT SIGNAL CIRCUIT FOR OPEN AND SHORT**

1. Turn ignition switch OFF.
2. Disconnect ECM harness connector.
3. Check harness continuity between A/F sensor 1 terminals and ECM terminals as per the following. Refer to Wiring Diagram.

	A/F sensor 1 terminal	ECM terminal
Bank1	1	35
	2	56
Bank 2	1	16
	2	75

**Continuity should exist.**

4. Check harness continuity between the following terminals and ground. Refer to Wiring Diagram.

Bank 1		Bank 2	
A/F sensor 1 terminal	ECM terminal	A/F sensor 1 terminal	ECM terminal
1	35	1	16
2	56	2	75

**Continuity should not exist.**

5. Also check harness for short to power.

OK or NG

- OK >> GO TO 9.

< COMPONENT DIAGNOSIS >

NG >> Repair open circuit or short to ground or short to power in harness or connectors.

**9.**CHECK A/F SENSOR 1 HEATER

Refer to [EC-580, "Component Inspection"](#).

OK or NG

OK >> GO TO 10.

NG >> GO TO 11.

**10.**CHECK INTERMITTENT INCIDENT

Refer to [GI-49, "Intermittent Incident"](#).

OK or NG

OK >> GO TO 11.

NG >> Repair or replace.

**11.**REPLACE A/F SENSOR 1

Replace malfunctioning A/F sensor 1.

**CAUTION:**

- Discard any A/F sensor which has been dropped from a height of more than 0.5 m (19.7 in) onto a hard surface such as a concrete floor; use a new one.
- Before installing new A/F sensor, clean exhaust system threads using Oxygen Sensor Thread Cleaner [Commercial service tool (J-43897-18 or J-43897-12)] and approved Anti-seize Lubricant (Commercial service tool).

>> GO TO 12.

**12.**CONFIRM A/F ADJUSTMENT DATA

1. Turn ignition switch OFF and then ON.
2. Select "A/F ADJ-B1" and "A/F ADJ-B2" in "DATA MONITOR" mode with CONSULT-III.
3. Make sure that "0.000" is displayed on CONSULT-III screen.

OK or NG

OK >> **INSPECTION END**

NG >> GO TO 13.

**13.**CLEAR THE SELF-LEARNING DATA

**Ⓟ With CONSULT-III**

1. Start engine and warm it up to normal operating temperature.
2. Select "SELF-LEARNING CONT" in "WORK SUPPORT" mode with CONSULT-III.
3. Clear the self-learning control coefficient by touching "CLEAR".

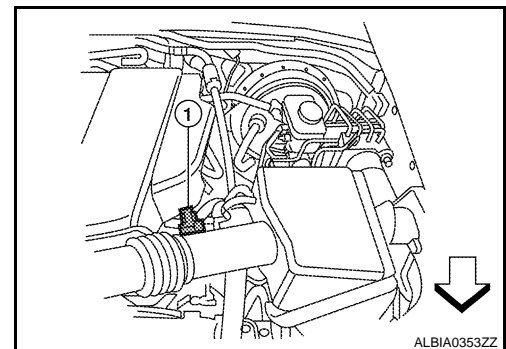
**ⓧ Without CONSULT-III**

1. Start engine and warm it up to normal operating temperature.
2. Turn ignition switch OFF.
3. Disconnect mass air flow sensor (1) harness connector.
  - ⇐: Vehicle front
4. Restart engine and let it idle for at least 5 seconds.
5. Stop engine and reconnect mass air flow sensor harness connector.
6. Check that DTC P0102 is displayed.
7. Erase the DTC memory. Refer to [EC-525, "Emission-related Diagnostic Information"](#).
8. Check that DTC P0000 is displayed.

>> GO TO 14.

**14.**CONFIRM A/F ADJUSTMENT DATA

1. Turn ignition switch OFF and then ON.
2. Select "A/F ADJ-B1" and "A/F ADJ-B2" in "DATA MONITOR" mode with CONSULT-III.
3. Check that "0.000" is displayed on CONSULT-III screen.



**P2A00, P2A03 A/F SENSOR 1**

< COMPONENT DIAGNOSIS >

[VK56DE]

>> INSPECTION END

A

**EC**

C

D

E

F

G

H

I

J

K

L

M

N

O

P

# ASCD BRAKE SWITCH

[VK56DE]

< COMPONENT DIAGNOSIS >

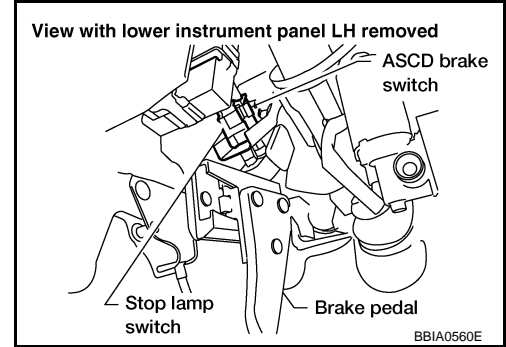
## ASCD BRAKE SWITCH

### Component Description

INFOID:000000004333388

When the brake pedal is depressed, ASCD brake switch is turned OFF and stop lamp switch is turned ON. ECM detects the state of the brake pedal by two kinds of input (ON/OFF signal).

Refer to [EC-516, "System Description"](#) for the ASCD function.



### Diagnosis Procedure

INFOID:000000003936842

#### 1. CHECK OVERALL FUNCTION-I

##### Ⓟ With CONSULT-III

1. Turn ignition switch ON.
2. Select "BRAKE SW 1" in "DATA MONITOR" mode with CONSULT-III.
3. Check "BRAKE SW 1" indication under the following conditions.

CONDITION	INDICATION
Brake pedal: Fully released	ON
Brake pedal: Slightly depressed	OFF

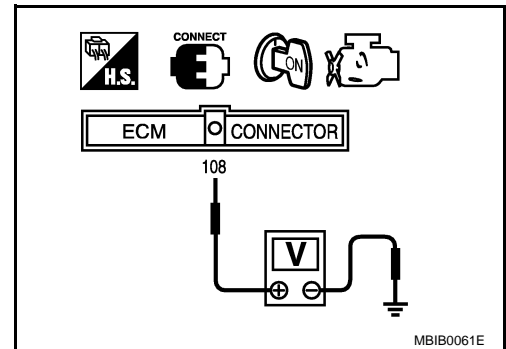
##### ⊗ Without CONSULT-III

1. Turn ignition switch ON.
2. Check voltage between ECM terminal 108 and ground under the following conditions.

CONDITION	VOLTAGE
Brake pedal: Fully released	Battery voltage
Brake pedal: Slightly depressed	Approximately 0 V

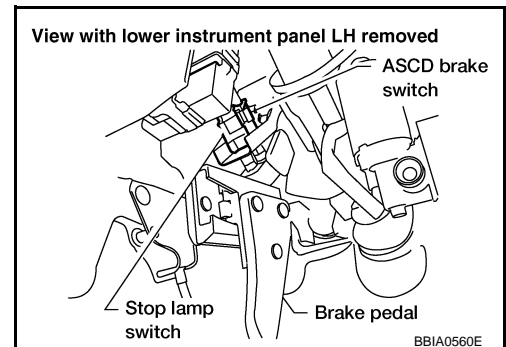
##### OK or NG

- OK >> INSPECTION END  
 NG >> GO TO 2.



#### 2. CHECK ASCD BRAKE SWITCH POWER SUPPLY CIRCUIT

1. Turn ignition switch OFF.
2. Disconnect ASCD brake switch harness connector.
3. Turn ignition switch ON.



# ASCD BRAKE SWITCH

[VK56DE]

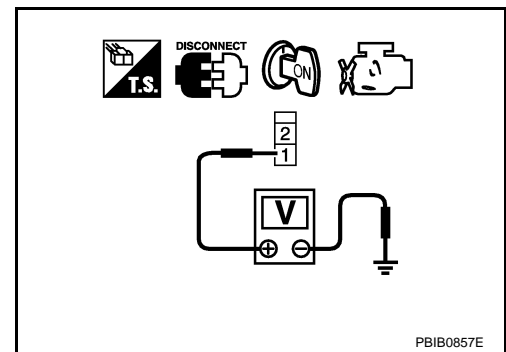
## < COMPONENT DIAGNOSIS >

4. Check voltage between ASCD brake switch terminal 1 and ground with CONSULT-III or tester.

**Voltage: Battery voltage**

### OK or NG

- OK >> GO TO 4.
- NG >> GO TO 3.



## 3. DETECT MALFUNCTIONING PART

Check the following.

- Fuse block (J/B) connector E160
- 10 A fuse (No. 12)
- Harness for open or short between ASCD brake switch and fuse

>> Repair open circuit or short to ground or short to power in harness or connectors.

## 4. CHECK ASCD BRAKE SWITCH INPUT SIGNAL CIRCUIT FOR OPEN AND SHORT

1. Turn ignition switch OFF.
2. Disconnect ECM harness connector.
3. Check harness continuity between ECM terminal 108 and ASCD brake switch terminal 2. Refer to Wiring Diagram.

**Continuity should exist.**

4. Also check harness for short to ground and short to power.

### OK or NG

- OK >> GO TO 5.
- NG >> Repair open circuit or short to ground or short to power in harness or connectors.

## 5. CHECK ASCD BRAKE SWITCH

Refer to [EC-859, "Component Inspection"](#).

### OK or NG

- OK >> GO TO 6.
- NG >> Replace ASCD brake switch.

## 6. CHECK INTERMITTENT INCIDENT

Refer to [GI-49, "Intermittent Incident"](#).

>> **INSPECTION END**

## Component Inspection

INFOID:000000004333389

### ASCD BRAKE SWITCH

1. Turn ignition switch OFF.
2. Disconnect ASCD brake switch harness connector.

# ASCD BRAKE SWITCH

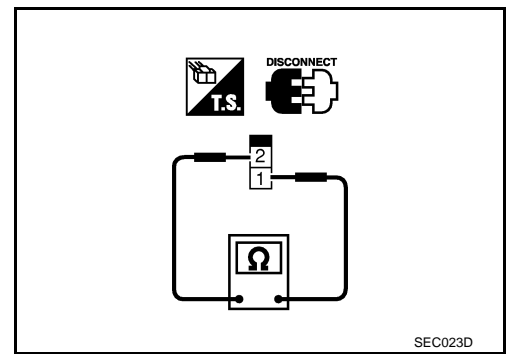
[VK56DE]

## < COMPONENT DIAGNOSIS >

3. Check harness continuity between ASCD brake switch terminals 1 and 2 under the following conditions.

Condition	Continuity
Brake pedal: Fully released	Should exist.
Brake pedal: Slightly depressed	Should not exist.

If NG, adjust ASCD brake switch installation, refer to [BR-23](#), "[Removal and Installation](#)", and perform step 3 again.





# ASCD INDICATOR

< COMPONENT DIAGNOSIS >

[VK56DE]

## ASCD INDICATOR

### Component Description

INFOID:000000003936844

ASCD indicator lamp illuminates to indicate ASCD operation status. Lamp has two indicators, CRUISE and SET, and is integrated in combination meter.

CRUISE indicator illuminates when MAIN switch on ASCD steering switch is turned ON to indicate that ASCD system is ready for operation.

SET indicator illuminates when the following conditions are met.

- CRUISE indicator is illuminated.
- SET/COAST switch on ASCD steering switch is turned ON while vehicle speed is within the range of the ASCD setting.

SET indicator remains lit during ASCD control.

Refer to [EC-516, "System Description"](#) for the ASCD function.

### Diagnosis Procedure

INFOID:000000003936845

#### 1. CHECK OVERALL FUNCTION

Check ASCD indicator under the following conditions.

ASCD INDICATOR	CONDITION		SPECIFICATION
CRUISE LAMP	<ul style="list-style-type: none"> <li>• Ignition switch: ON</li> </ul>	<ul style="list-style-type: none"> <li>• MAIN switch: Pressed at the 1st time → at the 2nd time</li> </ul>	ON → OFF
SET LAMP	<ul style="list-style-type: none"> <li>• MAIN switch: ON</li> <li>• When vehicle speed : Between 40 km/h (25 MPH) and 144 km/h (89 MPH)</li> </ul>	<ul style="list-style-type: none"> <li>• ASCD: Operating</li> </ul>	ON
		<ul style="list-style-type: none"> <li>• ASCD: Not operating</li> </ul>	OFF

#### OK or NG

OK >> **INSPECTION END**

NG >> GO TO 2.

#### 2. CHECK DTC

Check that DTC U0101 or U1001 is not displayed.

#### OK or NG

OK >> GO TO 3.

NG >> Perform trouble diagnosis for DTC U0101 or U1001. Refer to [EC-569, "DTC Confirmation Procedure"](#) or [EC-570, "DTC Confirmation Procedure"](#).

#### 3. CHECK COMBINATION METER FUNCTION

Refer to [MWI-24, "CONSULT-III Function \(METER/M&A\)"](#).

#### OK or NG

OK >> GO TO 4.

NG >> Go to [MWI-3, "Work Flow"](#).

#### 4. CHECK INTERMITTENT INCIDENT

Refer to [GI-49, "Intermittent Incident"](#).

>> **INSPECTION END**

# COOLING FAN

[VK56DE]

< COMPONENT DIAGNOSIS >

## COOLING FAN

### Description

INFOID:000000003936846

### COMPONENT DESCRIPTION

Cooling Fan Motor

The cooling fan operates at each speed when the current flows in the cooling fan motor as per the following.

Cooling fan speed	Cooling fan motor terminals	
	(+)	(-)
Low (LOW)	1	3 and 4
	2	3 and 4
High (HI)	1 and 2	3 and 4

### Diagnosis Procedure

INFOID:000000003936847

#### 1. CHECK IPDM E/R POWER SUPPLY AND GROUND CIRCUIT

Refer to [PCS-18, "Diagnosis Procedure"](#).

##### OK or NG

OK >> GO TO 2.

NG >> Follow the instructions on [PCS-18, "Diagnosis Procedure"](#).

#### 2. CHECK COOLING FAN MOTOR POWER SUPPLY CIRCUIT FOR OPEN AND SHORT

1. Turn ignition switch OFF.
2. Disconnect IPDM E/R harness connector E120.
3. Disconnect cooling fan motor (1) harness connector.
4. Check harness continuity between the following terminals;  
cooling fan motor terminal 1 and IPDM E/R terminal 20,  
cooling fan motor terminal 2 and IPDM E/R terminal 24.  
Refer to Wiring Diagram.

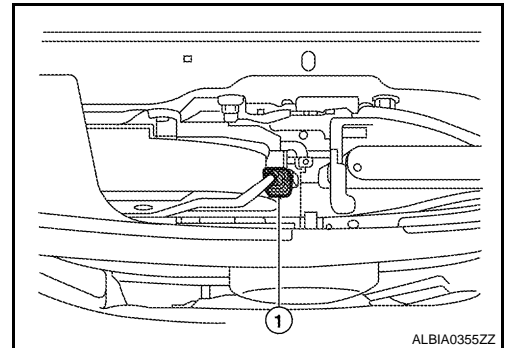
**Continuity should exist.**

5. Also check harness for short to ground and short to power.

##### OK or NG

OK >> GO TO 3.

NG >> Repair open circuit or short to ground or short to power in harness or connectors.



#### 3. CHECK COOLING FAN MOTOR GROUND CIRCUIT FOR OPEN OR SHORT

1. Check harness continuity between the following terminals;  
cooling fan motor terminal 3 and ground,  
cooling fan motor terminal 4 and ground.  
Refer to Wiring Diagram.

**Continuity should exist.**

2. Also check harness for short to power.

##### OK or NG

OK >> GO TO 4.

NG >> Repair open circuit or short to power in harness or connectors.

#### 4. CHECK COOLING FAN MOTOR

Refer to [EC-863, "Component Inspection"](#).

##### OK or NG

OK >> GO TO 5.

# COOLING FAN

[VK56DE]

## < COMPONENT DIAGNOSIS >

NG >> Replace cooling fan motor.

### 5. CHECK INTERMITTENT INCIDENT

Perform [GI-49, "Intermittent Incident"](#).

#### OK or NG

OK >> INSPECTION END

NG >> Repair or replace harness or connector.

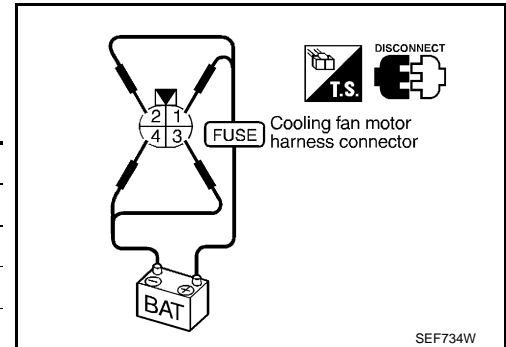
## Component Inspection

INFOID:000000003936848

### COOLING FAN MOTOR

1. Disconnect cooling fan motor harness connector.
2. Supply cooling fan motor terminals with battery voltage and check operation.

Cooling fan speed	Cooling fan motor terminals	
	(+)	(-)
Low	1	3 and 4
	2	3 and 4
High	1 and 2	3 and 4



**Cooling fan motor should operate.**

If NG, replace cooling fan motor.

A  
EC  
C  
D  
E  
F  
G  
H  
I  
J  
K  
L  
M  
N  
O  
P

# ELECTRICAL LOAD SIGNAL

[VK56DE]

< COMPONENT DIAGNOSIS >

## ELECTRICAL LOAD SIGNAL

### Description

INFOID:000000003936849

The electrical load signal (Headlamp switch signal, etc.) is transferred via the CAN communication line.

### Diagnosis Procedure

INFOID:000000003936850

#### 1.CHECK LOAD SIGNAL CIRCUIT OVERALL FUNCTION-I

1. Turn ignition switch ON.
2. Connect CONSULT-III and select "DATA MONITOR" mode.
3. Select "LOAD SIGNAL" and check indication under the following conditions.

Condition	Indication
Rear window defogger switch: ON	ON
Rear window defogger switch: OFF	OFF

#### OK or NG

- OK >> GO TO 2.  
NG >> GO TO 4.

#### 2.CHECK LOAD SIGNAL CIRCUIT OVERALL FUNCTION-II

Check "LOAD SIGNAL" indication under the following conditions.

Condition	Indication
Lighting switch: ON at 2nd position	ON
Lighting switch: OFF	OFF

#### OK or NG

- OK >> GO TO 3.  
NG >> GO TO 5.

#### 3.CHECK HEATER FAN SIGNAL CIRCUIT OVERALL FUNCTION

Select "HEATER FAN SW" and check indication under the following conditions.

Condition	Indication
Heater fan control switch: ON	ON
Heater fan control switch: OFF	OFF

#### OK or NG

- OK >> **INSPECTION END**  
NG >> GO TO 6.

#### 4.CHECK REAR WINDOW DEFOGGER SYSTEM

Refer to [DEF-3. "Repair Work Flow"](#).

>> **INSPECTION END**

#### 5.CHECK HEADLAMP SYSTEM

Refer to [EXL-4. "Work Flow"](#).

>> **INSPECTION END**

#### 6.CHECK HEATER FAN CONTROL SYSTEM

Refer to [HAC-4. "How to Perform Trouble Diagnosis For Quick And Accurate Repair"](#) or [HAC-124. "How to Perform Trouble Diagnosis For Quick And Accurate Repair"](#).

# ELECTRICAL LOAD SIGNAL

< COMPONENT DIAGNOSIS >

[VK56DE]

>> INSPECTION END

A

EC

C

D

E

F

G

H

I

J

K

L

M

N

O

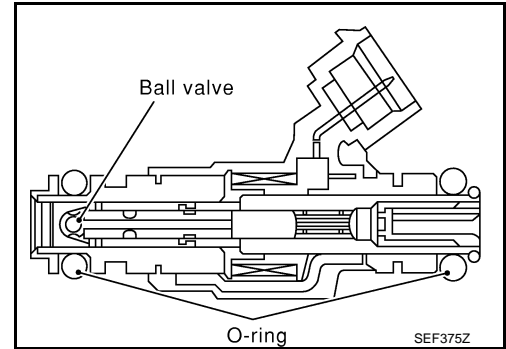
P

## FUEL INJECTOR

### Component Description

INFOID:000000003936851

The fuel injector is a small, precise solenoid valve. When the ECM supplies a ground to the fuel injector circuit, the coil in the fuel injector is energized. The energized coil pulls the ball valve back and allows fuel to flow through the fuel injector into the intake manifold. The amount of fuel injected depends upon the injection pulse duration. Pulse duration is the length of time the fuel injector remains open. The ECM controls the injection pulse duration based on engine fuel needs.



### Diagnosis Procedure

INFOID:000000003936852

#### 1. INSPECTION START

Turn ignition switch to START.

**Are any cylinders ignited?**

Yes or No

Yes >> GO TO 2.

No >> GO TO 3.

#### 2. CHECK OVERALL FUNCTION

##### With CONSULT-III

1. Start engine.
2. Perform "POWER BALANCE" in "ACTIVE TEST" mode with CONSULT-III.
3. Check that each circuit produces a momentary engine speed drop.

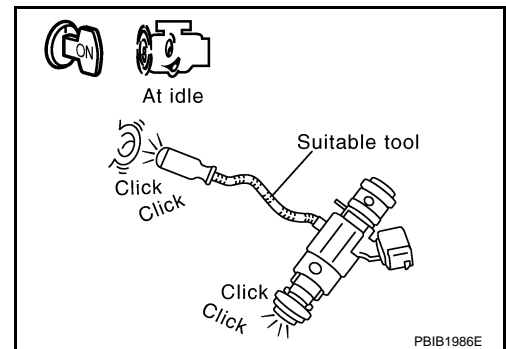
##### Without CONSULT-III

1. Start engine.
2. Listen to each fuel injector operating sound.  
**Clicking noise should be heard.**

OK or NG

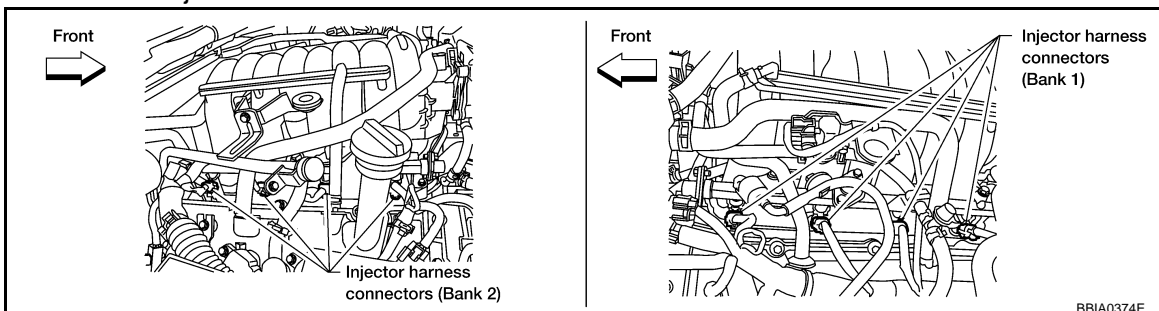
OK >> **INSPECTION END**

NG >> GO TO 3.



#### 3. CHECK FUEL INJECTOR POWER SUPPLY CIRCUIT

1. Turn ignition switch OFF.
2. Disconnect fuel injector harness connector.



3. Turn ignition switch ON.

# FUEL INJECTOR

[VK56DE]

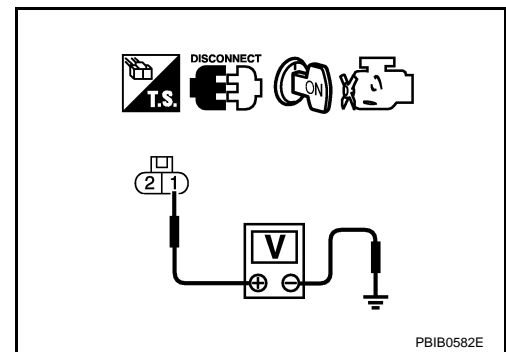
## < COMPONENT DIAGNOSIS >

4. Check voltage between fuel injector terminal 1 and ground with CONSULT-III or tester.

**Voltage: Battery voltage**

### OK or NG

- OK >> GO TO 5.
- NG >> GO TO 4.



## 4. DETECT MALFUNCTIONING PART

Check the following.

- Harness connectors E2, F32
- IPDM E/R connector E119
- 15 A fuse (No. 55)
- Harness for open or short between fuel injector and fuse

>> Repair harness or connectors.

## 5. CHECK FUEL INJECTOR OUTPUT SIGNAL CIRCUIT FOR OPEN AND SHORT

1. Turn ignition switch OFF.
2. Disconnect ECM harness connector.
3. Check harness continuity between fuel injector terminal 2 and ECM terminals 21, 22, 23, 40, 41, 42, 44, 63.  
Refer to Wiring Diagram.

**Continuity should exist.**

4. Also check harness for short to ground and short to power.

### OK or NG

- OK >> GO TO 6.
- NG >> Repair open circuit or short to ground or short to power in harness or connectors.

## 6. CHECK FUEL INJECTOR

Refer to [EC-867, "Component Inspection"](#).

### OK or NG

- OK >> GO TO 7.
- NG >> Replace malfunctioning fuel injector.

## 7. CHECK INTERMITTENT INCIDENT

Refer to [GI-49, "Intermittent Incident"](#).

>> **INSPECTION END**

## Component Inspection

INFOID:000000003936853

### FUEL INJECTOR

1. Disconnect fuel injector harness connector.

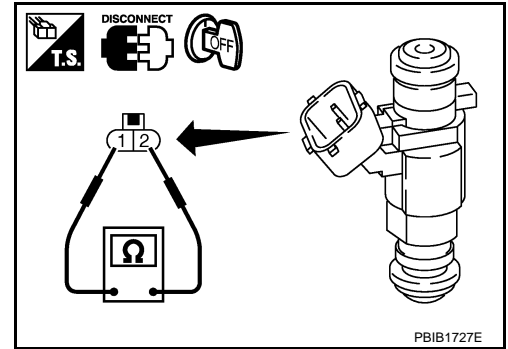
# FUEL INJECTOR

[VK56DE]

## < COMPONENT DIAGNOSIS >

2. Check resistance between terminals as shown in the figure.

**Resistance: 11.1 - 14.5  $\Omega$  [at 10 - 60°C (50 - 140°F)]**





# FUEL PUMP

< COMPONENT DIAGNOSIS >

[VK56DE]

## FUEL PUMP

### Description

INFOID:000000003936854

### SYSTEM DESCRIPTION

Sensor	Input signal to ECM	ECM function	Actuator
Crankshaft position sensor (POS) Camshaft position sensor (PHASE)	Engine speed*	Fuel pump control	Fuel pump relay
Battery	Battery voltage*		

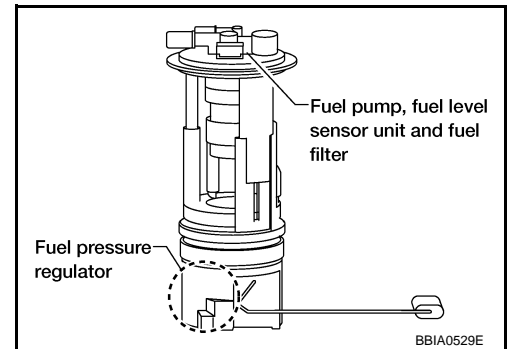
\*: ECM determines the start signal status by the signals of engine speed and battery voltage.

The ECM activates the fuel pump for several seconds after the ignition switch is turned ON to improve engine start ability. If the ECM receives a engine speed signal from the camshaft position sensor (PHASE), it knows that the engine is rotating, and causes the pump to operate. If the engine speed signal is not received when the ignition switch is ON, the engine stalls. The ECM stops pump operation and prevents battery discharging, thereby improving safety. The ECM does not directly drive the fuel pump. It controls the ON/OFF fuel pump relay, which in turn controls the fuel pump.

Condition	Fuel pump operation
Ignition switch is turned to ON	Operates for 1 second.
Engine running and cranking	Operates.
When engine is stopped	Stops in 1.5 seconds.
Except as shown above	Stops.

### COMPONENT DESCRIPTION

A turbine type design fuel pump is used in the fuel tank.



### Diagnosis Procedure

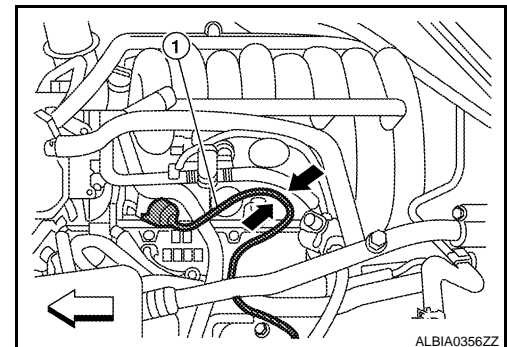
#### 1. CHECK OVERALL FUNCTION

1. Turn ignition switch ON.
2. Pinch fuel feed hose with two fingers.

**Fuel pressure pulsation should be felt on the fuel feed hose for 1 second after ignition switch is turned ON.**

#### OK or NG

- OK >> **INSPECTION END**  
 NG >> GO TO 2.



#### 2. CHECK FUEL PUMP POWER SUPPLY CIRCUIT-I

1. Turn ignition switch OFF.
2. Disconnect ECM harness connector.
3. Turn ignition switch ON.

# FUEL PUMP

[VK56DE]

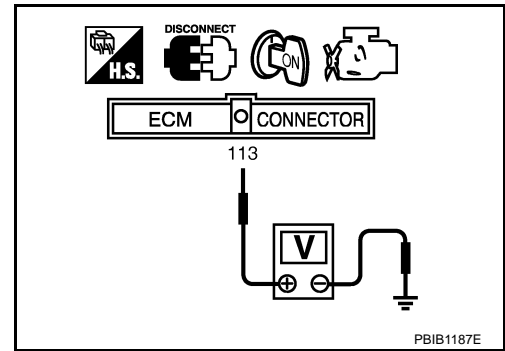
## < COMPONENT DIAGNOSIS >

4. Check voltage between ECM terminal 113 and ground with CONSULT-III or tester.

**Voltage: Battery voltage**

### OK or NG

- OK >> GO TO 5.
- NG >> GO TO 3.



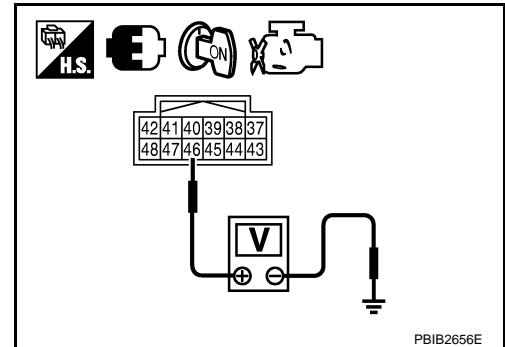
## 3.CHECK FUEL PUMP POWER SUPPLY CIRCUIT-II

- Check voltage between IPDM E/R terminal 46 and ground with CONSULT-III or tester.

**Voltage: Battery voltage**

### OK or NG

- OK >> GO TO 4.
- NG >> GO TO 9.



## 4.DETECT MALFUNCTIONING PART

- Check harness for open or short between IPDM E/R and ECM.

>> Repair harness or connectors.

## 5.CHECK FUSE

1. Turn ignition switch OFF.
2. Disconnect 15 A fuse (No. 48).
3. Check 15 A fuse.

### OK or NG

- OK >> GO TO 6.
- NG >> Replace fuse.

## 6.CHECK FUEL PUMP POWER SUPPLY AND GROUND CIRCUIT FOR OPEN AND SHORT

1. Turn ignition switch OFF.
2. Disconnect "fuel level sensor unit and fuel pump" harness connector.
3. Disconnect IPDM E/R harness connector E119.
4. Check harness continuity between IPDM E/R terminal 13 and "fuel level sensor unit and fuel pump" terminal 1, "fuel level sensor unit and fuel pump" terminal 3 and ground. Refer to Wiring Diagram.

**Continuity should exist.**

5. Also check harness for short to ground and short to power.

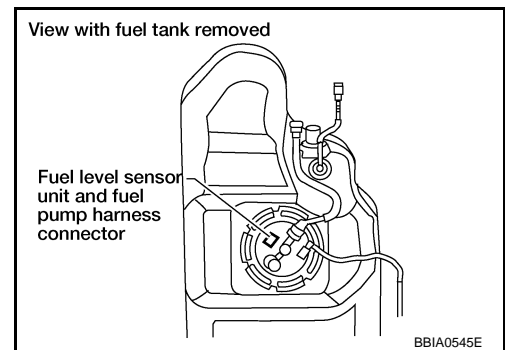
### OK or NG

- OK >> GO TO 8.
- NG >> GO TO 7.

## 7.DETECT MALFUNCTIONING PART

- Check the following.

- Harness connectors E41, C1
- Harness for open or short between fuel pump and IPDM E/R



# FUEL PUMP

[VK56DE]

## < COMPONENT DIAGNOSIS >

- Harness for open or short between fuel pump and ground

>> Repair open circuit or short to ground or short to power in harness or connectors.

### 8. CHECK FUEL PUMP

Refer to [EC-871. "Component Inspection"](#).

#### OK or NG

- OK >> GO TO 9.
- NG >> Replace "fuel level sensor unit and fuel pump".

### 9. CHECK INTERMITTENT INCIDENT

Refer to [GI-49. "Intermittent Incident"](#).

#### OK or NG

- OK >> Replace IPDM E/R.
- NG >> Repair or replace harness or connectors.

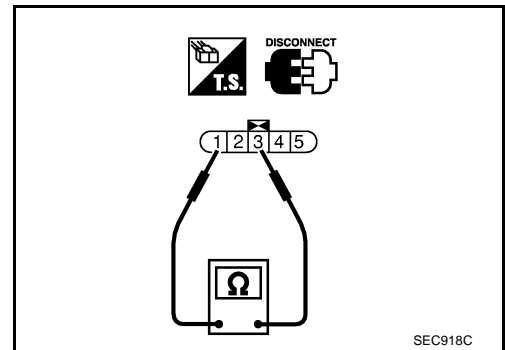
## Component Inspection

INFOID:000000003936856

### FUEL PUMP

1. Disconnect "fuel level sensor unit and fuel pump" harness connector.
2. Check resistance between fuel level sensor unit and fuel pump terminals 1 and 3.

**Resistance: 0.2 - 5.0  $\Omega$  [at 25°C (77°F)]**



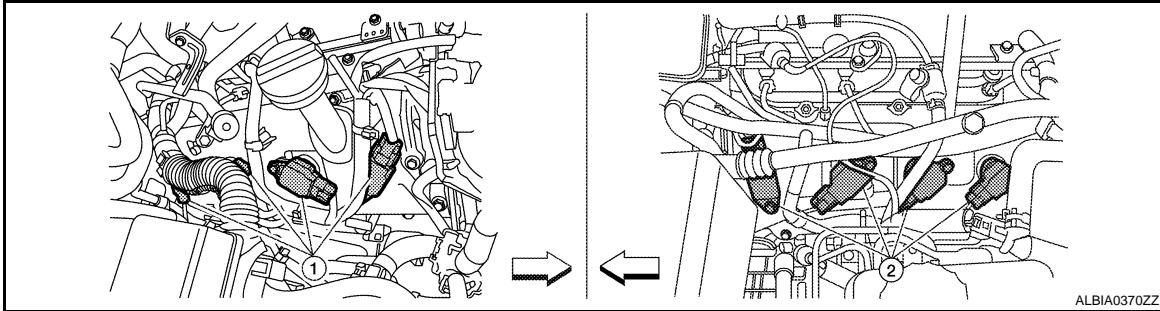
## IGNITION SIGNAL

### Component Description

INFOID:000000003936857

#### IGNITION COIL & POWER TRANSISTOR

The ignition signal from the ECM is sent to and amplified by the power transistor. The power transistor turns ON and OFF the ignition coil primary circuit. This ON/OFF operation induces the proper high voltage in the coil secondary circuit.



1. Ignition coils (with power transistor) (bank 2)      2. Ignition coils (with power transistor) (bank 1)

↔ : Vehicle front

### Diagnosis Procedure

INFOID:000000003936858

#### 1. CHECK ENGINE START

Turn ignition switch OFF, and restart engine.

**Is engine running?**

Yes or No

- Yes (With CONSULT-III) >> GO TO 2.
- Yes (Without CONSULT-III) >> GO TO 3.
- No >> GO TO 4.

#### 2. CHECK OVERALL FUNCTION

##### With CONSULT-III

1. Perform "POWER BALANCE" in "ACTIVE TEST" mode with CONSULT-III.
2. Check that each circuit produces a momentary engine speed drop.

**OK or NG**

- OK >> **INSPECTION END**
- NG >> GO TO 10.

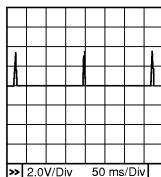
#### 3. CHECK OVERALL FUNCTION

##### Without CONSULT-III

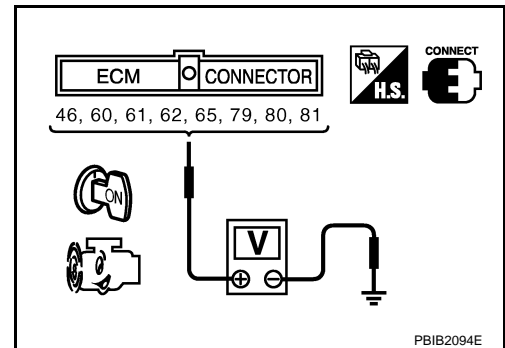
1. Let engine idle.
2. Read the voltage signal between ECM terminals 46, 60, 61, 62, 65, 79, 80, 81 and ground with an oscilloscope.
3. Check that the oscilloscope screen shows the signal wave as shown below.

**NOTE:**

The pulse cycle changes depending on rpm at idle.



PBIB0044E



PBIB2094E

# IGNITION SIGNAL

[VK56DE]

< COMPONENT DIAGNOSIS >

OK or NG

- OK >> **INSPECTION END**
- NG >> GO TO 10.

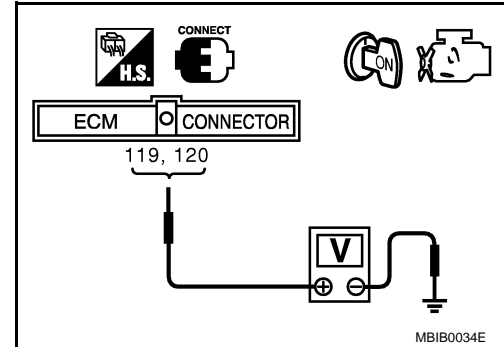
## 4. CHECK IGNITION COIL POWER SUPPLY CIRCUIT-I

1. Turn ignition switch OFF, wait at least 10 seconds and then turn it ON.
2. Check voltage between ECM terminals 119, 120 and ground with CONSULT-III or tester.

**Voltage: Battery voltage**

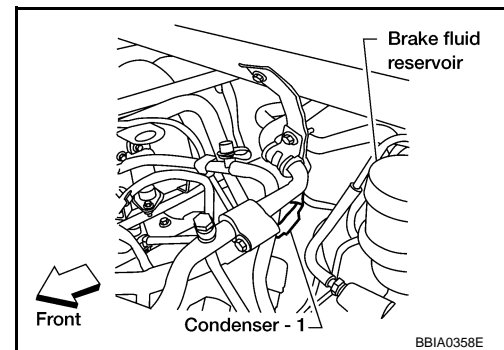
OK or NG

- OK >> GO TO 5.
- NG >> Go to [EC-565, "Diagnosis Procedure"](#).



## 5. CHECK IGNITION COIL POWER SUPPLY CIRCUIT-II

1. Turn ignition switch OFF.
2. Disconnect condenser-1 harness connector.
3. Turn ignition switch ON.

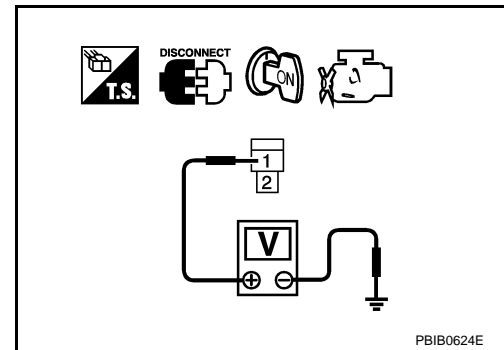


4. Check voltage between condenser-1 terminal 1 and ground with CONSULT-III or tester.

**Voltage: Battery voltage**

OK or NG

- OK >> GO TO 8.
- NG >> GO TO 6.



## 6. CHECK IGNITION COIL POWER SUPPLY CIRCUIT-III

1. Turn ignition switch OFF.
2. Disconnect IPDM E/R connector E119.
3. Check harness continuity between IPDM E/R terminal 3 and condenser-1 terminal 1. Refer to Wiring Diagram.

**Continuity should exist.**

4. Also check harness for short to ground and short to power.

OK or NG

- OK >> Go to [EC-565, "Diagnosis Procedure"](#).
- NG >> GO TO 7.

## 7. DETECT MALFUNCTIONING PART

Check the following.

# IGNITION SIGNAL

[VK56DE]

## < COMPONENT DIAGNOSIS >

- Harness connectors E2, F32
- IPDM E/R harness connector E119
- Harness for open or short between condenser-1 and IPDM E/R

>> Repair open circuit or short to ground or short to power in harness or connectors.

## 8. CHECK CONDENSER-1 GROUND CIRCUIT FOR OPEN AND SHORT

1. Turn ignition switch OFF.
2. Check harness continuity between condenser-1 terminal 2 and ground.  
Refer to Wiring Diagram.

**Continuity should exist.**

3. Also check harness for short to power.

### OK or NG

OK >> GO TO 9.

NG >> Repair open circuit or short to power in harness or connectors.

## 9. CHECK CONDENSER-1

Refer to [EC-875. "Component Inspection"](#).

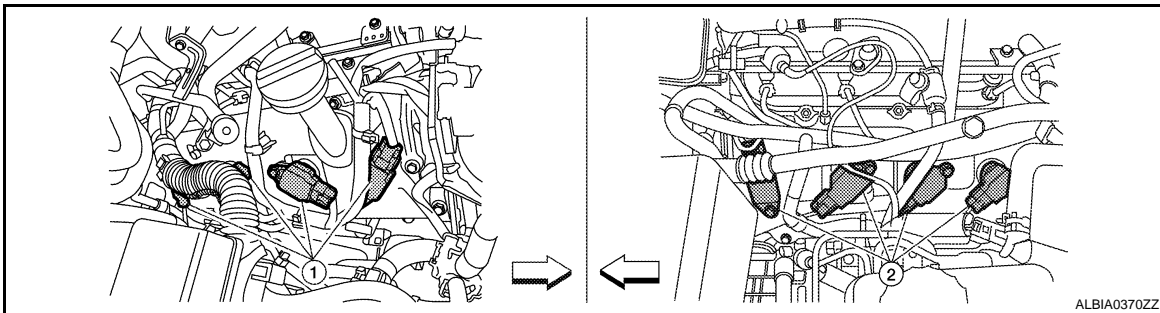
### OK or NG

OK >> GO TO 10.

NG >> Replace condenser-1.

## 10. CHECK IGNITION COIL POWER SUPPLY CIRCUIT-IV

1. Turn ignition switch OFF.
2. Reconnect all harness connectors disconnected.
3. Disconnect ignition coil harness connector.



1. Ignition coils (with power transistor) (bank 2)
2. Ignition coils (with power transistor) (bank 1)

↶ : Vehicle front

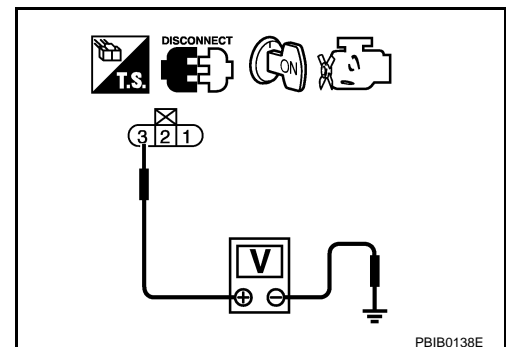
4. Turn ignition switch ON.
5. Check voltage between ignition coil terminal 3 and ground with CONSULT-III or tester.

**Voltage: Battery voltage**

### OK or NG

OK >> GO TO 12.

NG >> GO TO 11.



## 11. DETECT MALFUNCTIONING PART

Check the following.

# IGNITION SIGNAL

[VK56DE]

## < COMPONENT DIAGNOSIS >

- Harness connectors E2, F32
- Harness for open or short between ignition coil and harness connector F32

>> Repair or replace harness or connectors.

## 12. CHECK IGNITION COIL GROUND CIRCUIT FOR OPEN AND SHORT

1. Turn ignition switch OFF.
2. Check harness continuity between ignition coil terminal 2 and ground.  
Refer to Wiring Diagram.

**Continuity should exist.**

3. Also check harness for short to power.

### OK or NG

OK >> GO TO 13.

NG >> Repair open circuit or short to power in harness or connectors.

## 13. CHECK IGNITION COIL OUTPUT SIGNAL CIRCUIT FOR OPEN AND SHORT

1. Disconnect ECM harness connector.
2. Check harness continuity between ECM terminals 46, 60, 61, 62, 65, 79, 80, 81 and ignition coil terminal 1.  
Refer to Wiring Diagram.

**Continuity should exist.**

3. Also check harness for short to ground and short to power.

### OK or NG

OK >> GO TO 14.

NG >> Repair open circuit or short to ground or short to power in harness or connectors.

## 14. CHECK IGNITION COIL WITH POWER TRANSISTOR

Refer to [EC-875, "Component Inspection"](#).

### OK or NG

OK >> GO TO 15.

NG >> Replace malfunctioning ignition coil with power transistor.

## 15. CHECK INTERMITTENT INCIDENT

Refer to [GI-49, "Intermittent Incident"](#).

>> **INSPECTION END**

## Component Inspection

INFOID:000000003936859

### IGNITION COIL WITH POWER TRANSISTOR

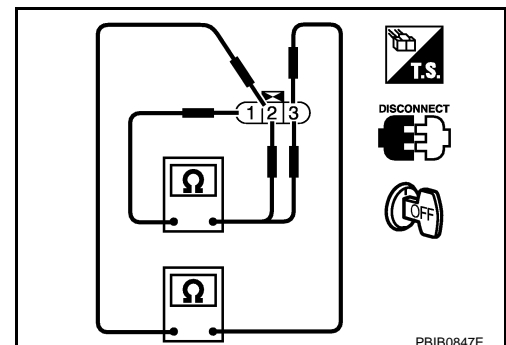
#### CAUTION:

**Perform the following procedure in a place with no combustible objects and good ventilation.**

1. Turn ignition switch OFF.
2. Disconnect ignition coil harness connector.
3. Check resistance between ignition coil terminals as per the following.

Terminal No. (Polarity)	Resistance [at 25°C (77°F)]
1 and 2	Except 0 or ∞ Ω
1 and 3	Except 0 Ω
2 and 3	

4. If NG, replace ignition coil with power transistor.  
If OK, go to next step.



# IGNITION SIGNAL

[VK56DE]

## < COMPONENT DIAGNOSIS >

5. Turn ignition switch OFF.
6. Reconnect all harness connectors disconnected.
7. Remove fuel pump fuse (1) in IPDM E/R (2) to release fuel pressure.

### NOTE:

Do not use CONSULT-III to release fuel pressure, or fuel pressure applies again during the following procedure.

8. Start engine.
9. After engine stalls, crank it 2 or 3 times to release all fuel pressure.
10. Turn ignition switch OFF.
11. Remove all ignition coil harness connectors to avoid the electrical discharge from the ignition coils.
12. Remove ignition coil and spark plug of the cylinder to be checked.
13. Crank engine for 5 seconds or more to remove combustion gas in the cylinder.
14. Connect spark plug and harness connector to ignition coil.
15. Fix ignition coil using a rope etc. with gap of 13 - 17 mm between the edge of the spark plug and grounded metal portion as shown in the figure.
16. Crank engine for approximately 3 seconds, and check whether spark is generated between the spark plug and the grounded metal portion.

**Spark should be generated.**

### CAUTION:

- Never place the spark plug and the ignition coil within 50 cm each other. Be careful not to get an electrical shock while checking, because the electrical discharge voltage becomes 20 kV or more.
- It might damage the ignition coil if the gap of more than 17 mm is made.

### NOTE:

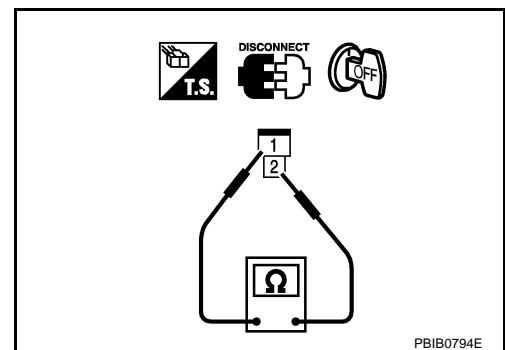
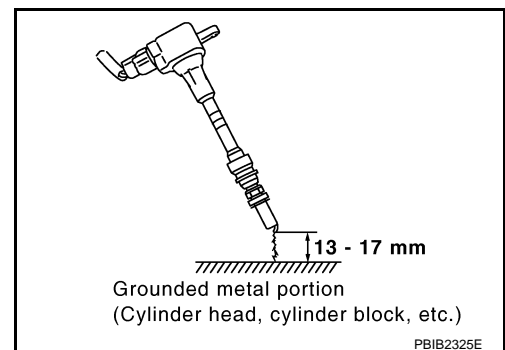
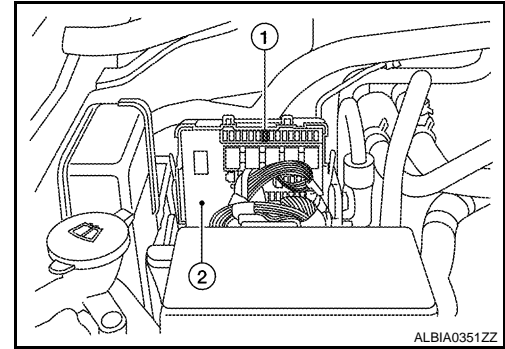
When the gap is less than 13 mm, a spark might be generated even if the coil is malfunctioning.

17. If NG, replace ignition coil with power transistor.

## CONDENSER-1

1. Turn ignition switch OFF.
2. Disconnect condenser-1 harness connector.
3. Check resistance between condenser-1 terminals 1 and 2.

Resistance	Above 1 M $\Omega$ at 25°C (77°F)
------------	-----------------------------------





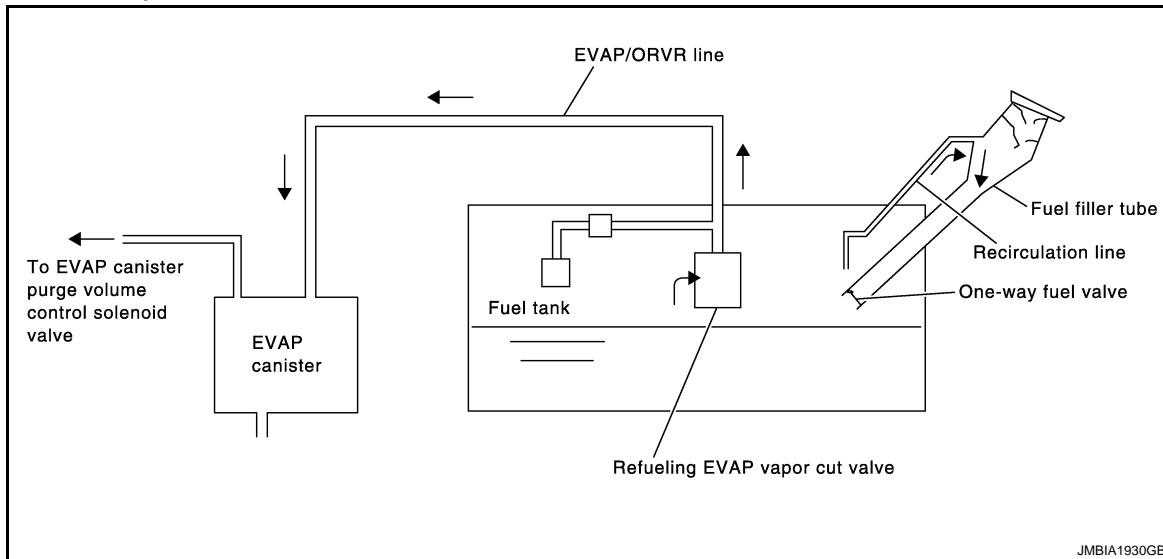
# ON BOARD REFUELING VAPOR RECOVERY (ORVR)

< COMPONENT DIAGNOSIS >

[VK56DE]

## ON BOARD REFUELING VAPOR RECOVERY (ORVR)

### System Description



From the beginning of refueling, the air and vapor inside the fuel tank go through refueling EVAP vapor cut valve and EVAP/ORVR line to the EVAP canister. The vapor is absorbed by the EVAP canister and the air is released to the atmosphere.

When the refueling has reached the full level of the fuel tank, the refueling EVAP vapor cut valve is closed and refueling is stopped because of auto shut-off. The vapor which was absorbed by the EVAP canister is purged during driving.

#### **WARNING:**

When conducting inspections below, always observe the following:

- Put a "CAUTION: FLAMMABLE" sign in workshop.
- Never smoke while servicing fuel system. Keep open flames and sparks away from work area.
- Always furnish the workshop with a CO<sub>2</sub> fire extinguisher.

#### **CAUTION:**

- Before removing fuel line parts, carry out the following procedures:
  - Put drained fuel in an explosion-proof container and put lid on securely.
  - Release fuel pressure from fuel line. Refer to [EC-951, "Fuel Pressure Check"](#).
  - Disconnect battery ground cable.
- Always replace O-ring when the fuel gauge retainer is removed.
- Never kink or twist hose and tube when they are installed.
- Never tighten hose and clamps excessively to avoid damaging hoses.
- After installation, run engine and check for fuel leakage at connection.
- Never attempt to top off the fuel tank after the fuel pump nozzle shuts off automatically. Continued refueling may cause fuel overflow, resulting in fuel spray and possibly a fire.

### Diagnosis Procedure

INFOID:000000003936861

SYMPTOM: FUEL ODOR FROM EVAP CANISTER IS STRONG.

#### 1. CHECK EVAP CANISTER

1. Remove EVAP canister with EVAP canister vent control valve and EVAP control system pressure sensor attached.
2. Weigh the EVAP canister with EVAP canister vent control valve and EVAP control system pressure sensor attached.

**The weight should be less than 2.0 kg (4.4 lb).**

#### OK or NG

- OK >> GO TO 2.
- NG >> GO TO 3.

#### 2. CHECK IF EVAP CANISTER IS SATURATED WITH WATER

# ON BOARD REFUELING VAPOR RECOVERY (ORVR)

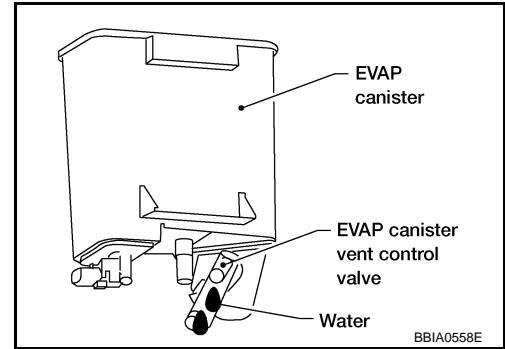
[VK56DE]

## < COMPONENT DIAGNOSIS >

Does water drain from the EVAP canister?

### Yes or No

- Yes >> GO TO 3.
- No >> GO TO 6.



## 3. REPLACE EVAP CANISTER

Replace EVAP canister with a new one.

>> GO TO 4.

## 4. CHECK DRAIN FILTER

Refer to [EC-880, "Component Inspection"](#).

### OK or NG

- OK >> GO TO 5.
- NG >> Replace drain filter.

## 5. DETECT MALFUNCTIONING PART

Check the EVAP hose between EVAP canister and drain filter for clogging or poor connection.

>> Repair or replace EVAP hose.

## 6. CHECK REFUELING EVAP VAPOR CUT VALVE

Refer to [EC-880, "Component Inspection"](#).

### OK or NG

- OK >> **INSPECTION END**
- NG >> Replace refueling EVAP vapor cut valve with fuel tank.

**SYMPTOM: CANNOT REFUEL/FUEL ODOR FROM THE FUEL FILLER OPENING IS STRONG WHILE REFUELING.**

## 1. CHECK EVAP CANISTER

1. Remove EVAP canister with EVAP canister vent control valve and EVAP control system pressure sensor attached.
2. Weigh the EVAP canister with EVAP canister vent control valve and EVAP control system pressure sensor attached.

**The weight should be less than 2.0 kg (4.4 lb).**

### OK or NG

- OK >> GO TO 2.
- NG >> GO TO 3.

## 2. CHECK IF EVAP CANISTER IS SATURATED WITH WATER

# ON BOARD REFUELING VAPOR RECOVERY (ORVR)

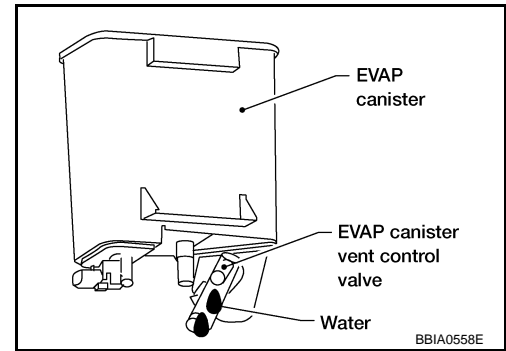
[VK56DE]

## < COMPONENT DIAGNOSIS >

Does water drain from the EVAP canister?

### Yes or No

- Yes >> GO TO 3.
- No >> GO TO 6.



## 3. REPLACE EVAP CANISTER

Replace EVAP canister with a new one.

>> GO TO 4.

## 4. CHECK DRAIN FILTER

Refer to [EC-880, "Component Inspection"](#).

### OK or NG

- OK >> GO TO 5.
- NG >> Replace drain filter.

## 5. DETECT MALFUNCTIONING PART

Check the EVAP hose between EVAP canister and drain filter for clogging or poor connection.

>> Repair or replace EVAP hose.

## 6. CHECK VENT HOSES AND VENT TUBES

Check hoses and tubes between EVAP canister and refueling EVAP vapor cut valve for clogging, kinks, looseness and improper connection.

### OK or NG

- OK >> GO TO 7.
- NG >> Repair or replace hoses and tubes.

## 7. CHECK FILLER RECIRCULATION LINE

Check recirculation line for clogging, dents and cracks.

### OK or NG

- OK >> GO TO 8.
- NG >> Replace filler filler tube.

## 8. CHECK REFUELING EVAP VAPOR CUT VALVE

Refer to [EC-880, "Component Inspection"](#).

### OK or NG

- OK >> GO TO 9.
- NG >> Replace refueling EVAP vapor cut valve with fuel tank.

## 9. CHECK FUEL FILLER TUBE

Check filler filler tube and hose connected to the fuel tank for clogging, dents and cracks.

### OK or NG

- OK >> GO TO 10.
- NG >> Replace fuel filler tube.

## 10. CHECK ONE-WAY FUEL VALVE-I

Check one-way valve for clogging.

### OK or NG

- OK >> GO TO 11.

# ON BOARD REFUELING VAPOR RECOVERY (ORVR)

[VK56DE]

## < COMPONENT DIAGNOSIS >

NG >> Repair or replace one-way fuel valve with fuel tank.

### 11. CHECK ONE-WAY FUEL VALVE-II

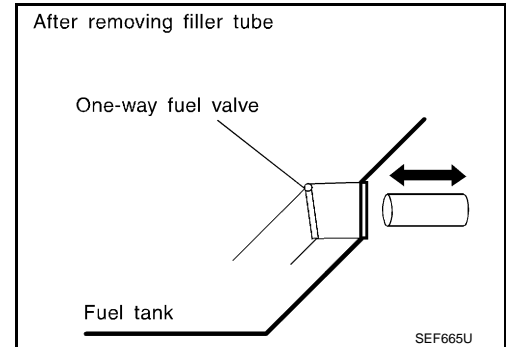
1. Check that fuel is drained from the tank.
2. Remove fuel filler tube and hose.
3. Check one-way fuel valve for operation as per the following.  
When a stick is inserted, the valve should open, when removing stick it should close.

**Never drop any material into the tank.**

OK or NG

OK >> **INSPECTION END**

NG >> Replace fuel filler tube or replace one-way fuel valve with fuel tank.



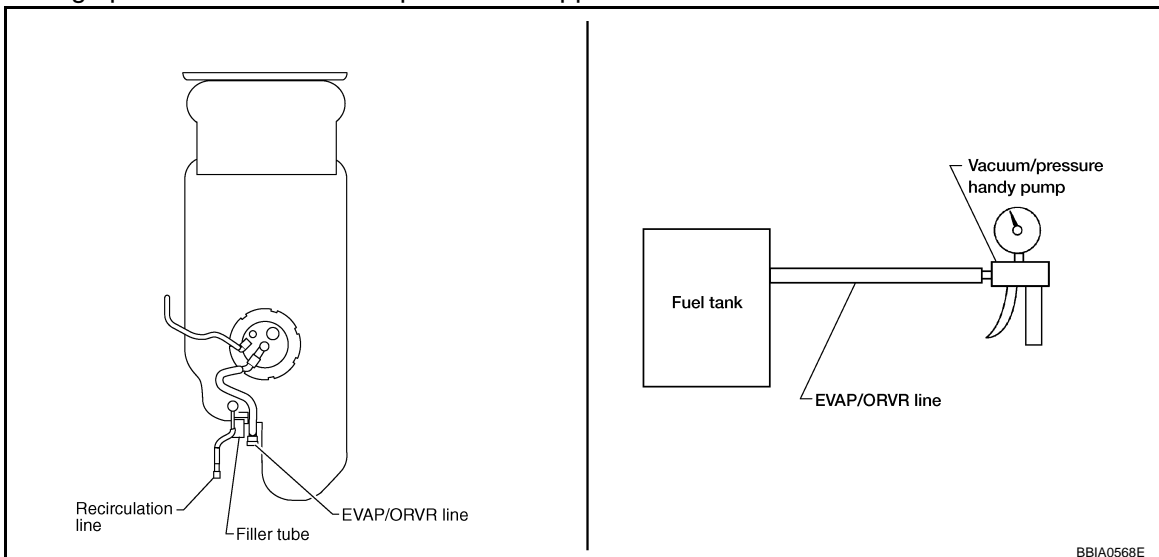
INFOID:000000003936862

## Component Inspection

### REFUELING EVAP VAPOR CUT VALVE

Ⓜ With CONSULT-III

1. Remove fuel tank. Refer to [FL-6. "Removal and Installation"](#).
2. Drain fuel from the tank as per the following:
  - a. Remove fuel feed hose located on the fuel gauge retainer.
  - b. Connect a spare fuel hose, one side to fuel gauge retainer where the hose was removed and the other side to a fuel container.
  - c. Drain fuel using "FUEL PUMP RELAY" in "ACTIVE TEST" mode with CONSULT-III.
3. Check refueling EVAP vapor cut valve for being stuck to close as per the following.  
Blow air into the refueling EVAP vapor cut valve (from the end of EVAP/ORVR line hose), and check that the air flows freely into the tank.
4. Check refueling EVAP vapor cut valve for being stuck to open as per the following.
  - a. Connect vacuum pump to hose end.
  - b. Remove fuel gauge retainer with fuel gauge unit.  
**Always replace O-ring with new one.**
  - c. Turn fuel tank upside down.
- d. Apply vacuum pressure to hose end [ $-13.3$  kPa ( $-0.136$  kg/cm<sup>2</sup>,  $-.93$  psi)] with fuel gauge retainer remaining open and check that the pressure is applicable.



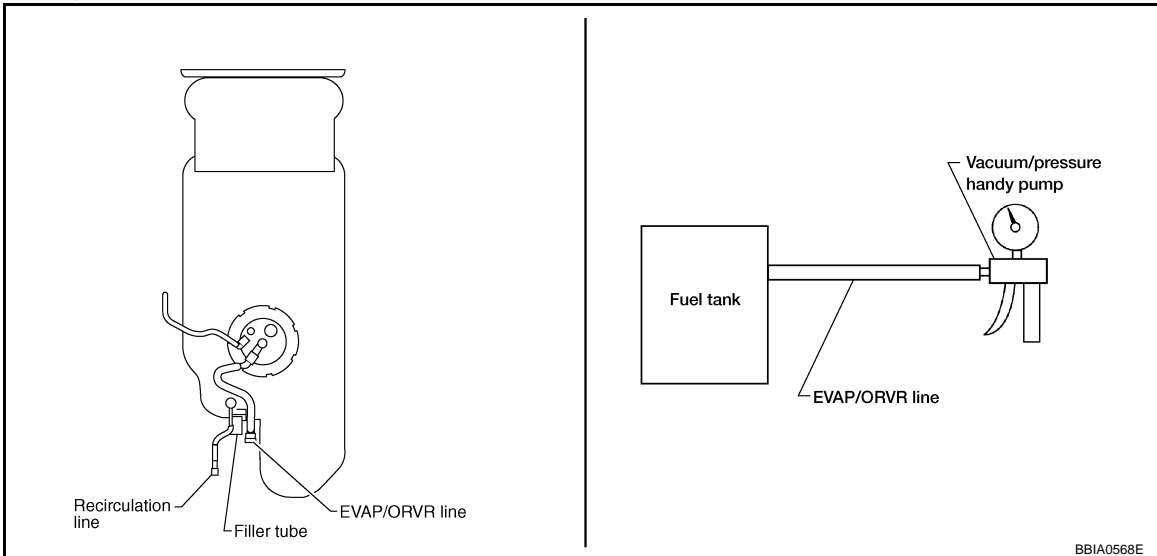
ⓧ Without CONSULT-III

# ON BOARD REFUELING VAPOR RECOVERY (ORVR)

< COMPONENT DIAGNOSIS >

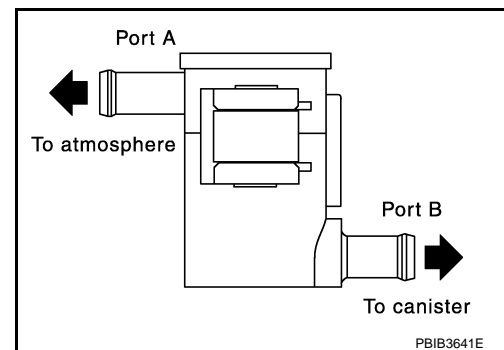
[VK56DE]

1. Remove fuel tank. Refer to [FL-6. "Removal and Installation"](#).
2. Drain fuel from the tank as per the following:
  - a. Remove fuel gauge retainer.
  - b. Drain fuel from the tank using a handy pump into a fuel container.
3. Check refueling EVAP vapor cut valve for being stuck to close as per the following. Blow air into the refueling EVAP vapor cut valve (from the end of EVAP/ORVR line hose), and check that the air flows freely into the tank.
4. Check refueling EVAP vapor cut valve for being stuck to open as per the following:
  - a. Connect vacuum pump to hose end.
  - b. Remove fuel gauge retainer with fuel gauge unit.  
**Always replace O-ring with new one.**
  - c. Turn fuel tank upside down.
  - d. Apply vacuum pressure to hose end [-13.3 kPa (-0.136 kg/cm<sup>2</sup>, -.93 psi)] with fuel gauge retainer remaining open and check that the pressure is applicable.



## DRAIN FILTER

1. Check visually for insect nests in the drain filter air inlet.
2. Check visually for cracks or flaws in the appearance.
3. Check visually for cracks or flaws in the hose.
4. Blow air into port A and check that it flows freely out of port B.
5. Block port B.
6. Blow air into port A and check that there is no leakage.
7. If NG, replace drain filter.



# POSITIVE CRANKCASE VENTILATION

< COMPONENT DIAGNOSIS >

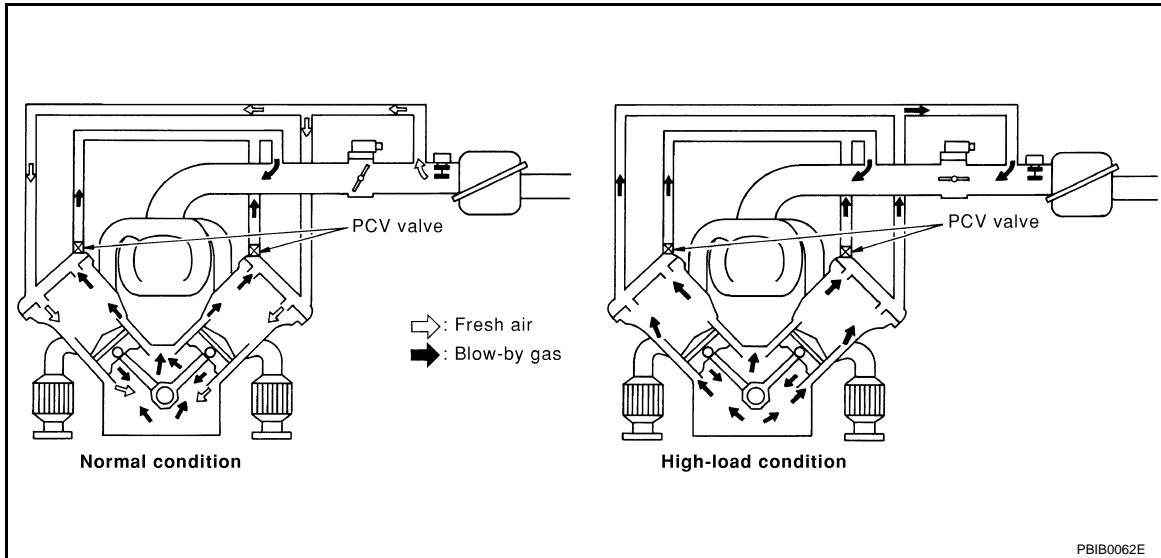
[VK56DE]

## POSITIVE CRANKCASE VENTILATION

### Description

INFOID:000000003936863

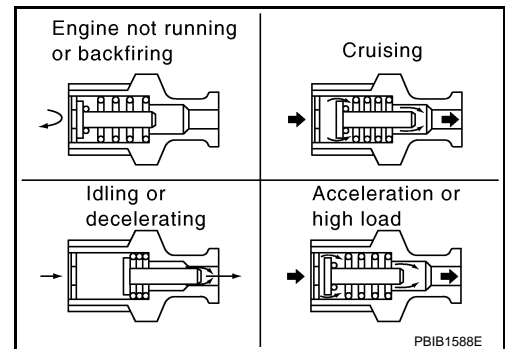
### SYSTEM DESCRIPTION



This system returns blow-by gas to the intake manifold.

The positive crankcase ventilation (PCV) valve is provided to conduct crankcase blow-by gas to the intake manifold. During partial throttle operation of the engine, the intake manifold sucks the blow-by gas through the PCV valve. Normally, the capacity of the valve is sufficient to handle any blow-by and a small amount of ventilating air. The ventilating air is drawn from the air inlet tubes into the crankcase. In this process the air passes through the hose connecting air inlet tubes to rocker cover. Under full-throttle condition, the manifold vacuum is insufficient to draw the blow-by flow through the valve. The flow goes through the hose connection in the reverse direction.

On vehicles with an excessively high blow-by, the valve does not meet the requirement. This is because some of the flow will go through the hose connection to the air inlet tubes under all conditions.

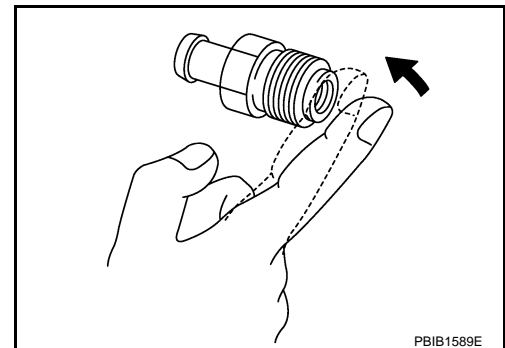


### Component Inspection

INFOID:000000003936864

#### PCV (POSITIVE CRANKCASE VENTILATION) VALVE

With engine running at idle, remove PCV valve from rocker cover. A properly working valve makes a hissing noise as air passes through it. A strong vacuum should be felt immediately when a finger is placed over valve inlet.



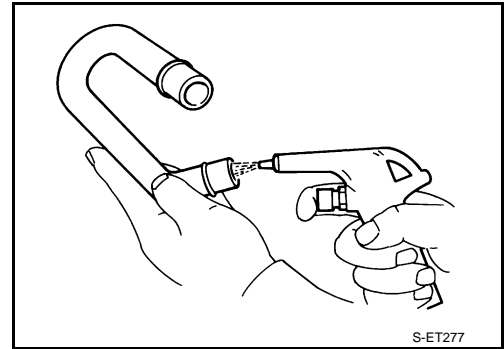
#### PCV VALVE VENTILATION HOSE

# POSITIVE CRANKCASE VENTILATION

[VK56DE]

## < COMPONENT DIAGNOSIS >

1. Check hoses and hose connections for leakage.
2. Disconnect all hoses and clean with compressed air. If any hose cannot be freed of obstructions, replace.



A

EC

C

D

E

F

G

H

I

J

K

L

M

N

O

P

# REFRIGERANT PRESSURE SENSOR

< COMPONENT DIAGNOSIS >

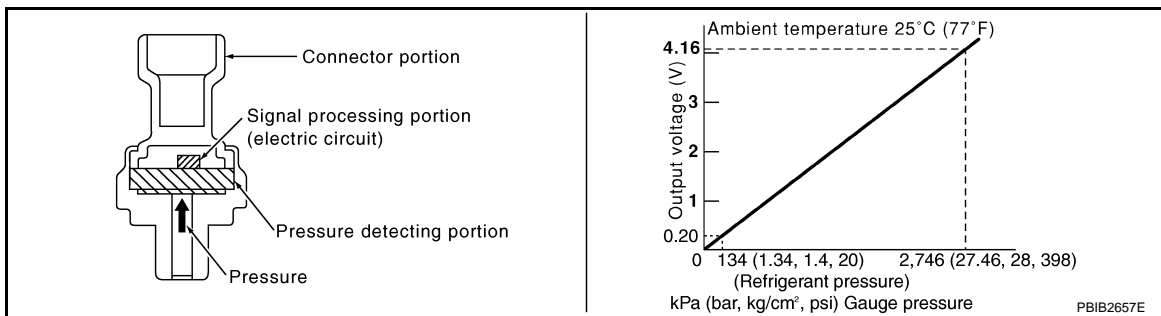
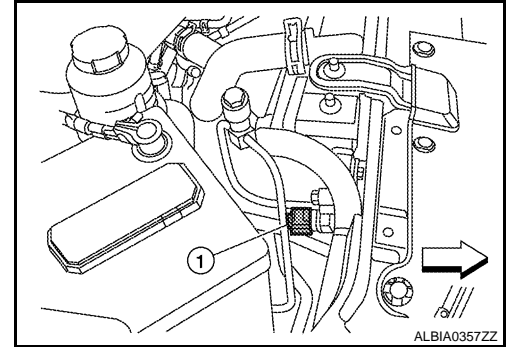
[VK56DE]

## REFRIGERANT PRESSURE SENSOR

### Component Description

INFOID:000000003936865

The refrigerant pressure sensor (1) is installed at the condenser of the air conditioner system. The sensor uses an electrostatic volume pressure transducer to convert refrigerant pressure to voltage. The voltage signal is sent to ECM, and ECM controls cooling fan system.



### Diagnosis Procedure

INFOID:000000003936866

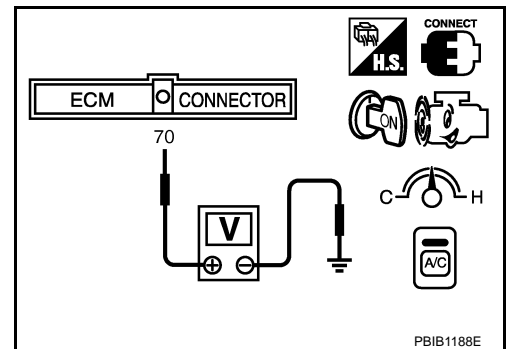
#### 1. CHECK REFRIGERANT PRESSURE SENSOR OVERALL FUNCTION

1. Start engine and warm it up to normal operating temperature.
2. Turn A/C switch and blower fan switch ON.
3. Check voltage between ECM terminal 70 and ground with CONSULT-III or tester.

**Voltage: 1.0 - 4.0 V**

OK or NG

- OK >> **INSPECTION END**  
NG >> GO TO 2.



#### 2. CHECK GROUND CONNECTIONS

1. Turn A/C switch and blower fan switch OFF.
2. Turn ignition switch OFF.
3. Loosen and retighten ground screws on the body.

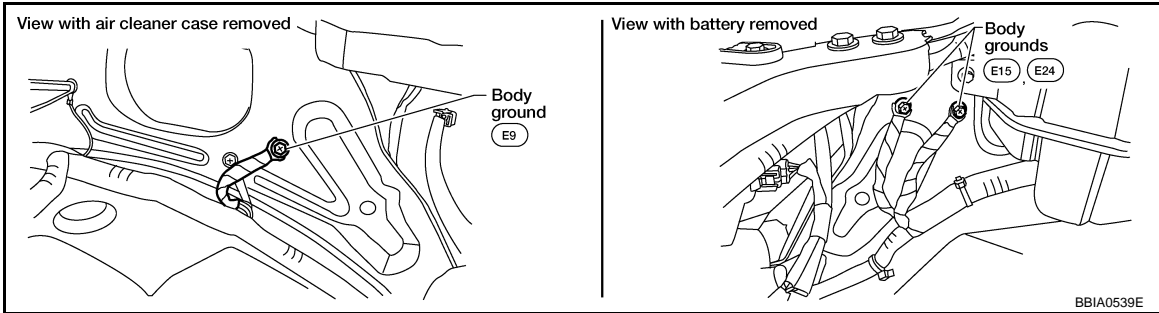


# REFRIGERANT PRESSURE SENSOR

< COMPONENT DIAGNOSIS >

[VK56DE]

Refer to [EC-568, "Ground Inspection"](#).



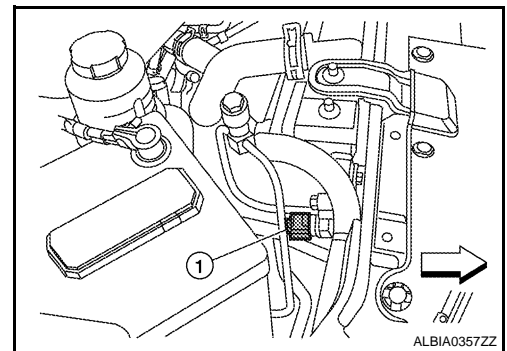
OK or NG

OK >> GO TO 3.

NG >> Repair or replace ground connections.

## 3. CHECK REFRIGERANT PRESSURE SENSOR POWER SUPPLY CIRCUIT

1. Disconnect refrigerant pressure sensor (1) harness connector.
2. Turn ignition switch ON.



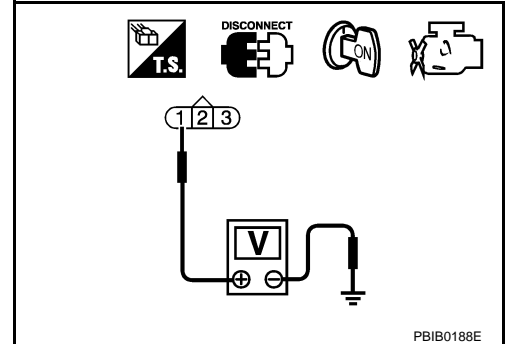
3. Check voltage between refrigerant pressure sensor terminal 1 and ground with CONSULT-III or tester.

**Voltage: Approximately 5 V**

OK or NG

OK >> GO TO 5.

NG >> GO TO 4.



## 4. DETECT MALFUNCTIONING PART

Check the following.

- Harness connectors E5, F14
- Harness for open or short between ECM and refrigerant pressure sensor

>> Repair harness or connectors.

## 5. CHECK REFRIGERANT PRESSURE SENSOR GROUND CIRCUIT FOR OPEN AND SHORT

1. Turn ignition switch OFF.
2. Disconnect ECM harness connector.
3. Check harness continuity between refrigerant pressure sensor terminal 3 and ECM terminal 67. Refer to Wiring Diagram.

**Continuity should exist.**

4. Also check harness for short to ground and short to power.

OK or NG

OK >> GO TO 7.

NG >> GO TO 6.

# REFRIGERANT PRESSURE SENSOR

[VK56DE]

< COMPONENT DIAGNOSIS >

---

## 6. DETECT MALFUNCTIONING PART

---

Check the following.

- Harness connectors E5, F14
- Harness for open or short between ECM and refrigerant pressure sensor

>> Repair open circuit or short to ground or short to power in harness or connectors.

## 7. CHECK REFRIGERANT PRESSURE SENSOR INPUT SIGNAL CIRCUIT FOR OPEN AND SHORT

---

1. Check harness continuity between ECM terminal 70 and refrigerant pressure sensor terminal 2.  
Refer to Wiring Diagram.

**Continuity should exist.**

2. Also check harness for short to ground and short to power.

OK or NG

- OK >> GO TO 9.
- NG >> GO TO 8.

## 8. DETECT MALFUNCTIONING PART

---

Check the following.

- Harness connectors E5, F14
- Harness for open or short between ECM and refrigerant pressure sensor

>> Repair open circuit or short to ground or short to power in harness or connectors.

## 9. CHECK INTERMITTENT INCIDENT

---

Refer to [GI-49, "Intermittent Incident"](#).

OK or NG

- OK >> Replace refrigerant pressure sensor.
- NG >> Repair or replace malfunctioning part.

# ECU DIAGNOSIS

## ECM

### CONSULT-III Reference Value in Data Monitor Mode

INFOID:000000003936867

#### Remarks:

- Specification data are reference values.
- Specification data are output/input values which are detected or supplied by the ECM at the connector.
- \* Specification data may not be directly related to their components signals/values/operations.

i.e. Adjust ignition timing with a timing light before monitoring IGN TIMING, because the monitor may show the specification data in spite of the ignition timing not being adjusted to the specification data. This IGN TIMING monitors the data calculated by the ECM according to the signals input from the camshaft position sensor and other ignition timing related sensors.

MONITOR ITEM	CONDITION		SPECIFICATION
ENG SPEED	• Run engine and compare CONSULT-III value with the tachometer indication.		Almost the same speed as the tachometer indication.
MAS A/F SE-B1	See <a href="#">EC-557</a> . "Description".		
B/FUEL SCHDL	See <a href="#">EC-557</a> . "Description".		
A/F ALPHA-B1 A/F ALPHA-B2	See <a href="#">EC-557</a> . "Description".		
COOLAN TEMP/S	• Engine: After warming up		More than 70°C (158°F)
A/F SEN1 (B1) A/F SEN1 (B2)	• Engine: After warming up	Maintaining engine speed at 2,000 rpm	Fluctuates around 2.2 V
HO2S2 (B1) HO2S2 (B2)	<ul style="list-style-type: none"> <li>• Revving engine from idle to 3,000 rpm quickly after the following conditions are met.</li> <li>• After keeping engine speed between 3,500 and 4,000 rpm for 1 minute and at idle for 1 minute under no load</li> </ul>		0 - 0.3 V ↔ Approx. 0.6 - 1.0 V
HO2S2 MNTR (B1) HO2S2 MNTR (B2)	<ul style="list-style-type: none"> <li>• Revving engine from idle to 3,000 rpm quickly after the following conditions are met.</li> <li>- Engine: After warming up</li> <li>- Keeping engine speed between 3,500 and 4,000 rpm for 1 minute and at idle for 1 minute under no load</li> </ul>		LEAN ↔ RICH
VHCL SPEED SE	• Turn drive wheels and compare CONSULT-III value with the speedometer indication.		Almost the same speed as the speedometer indication
BATTERY VOLT	• Ignition switch: ON (Engine stopped)		11 - 14 V
ACCEL SEN 1	• Ignition switch: ON (Engine stopped)	Accelerator pedal: Fully released	0.65 - 1.87 V
		Accelerator pedal: Fully depressed	More than 4.3 V
ACCEL SEN 2*1	• Ignition switch: ON (Engine stopped)	Accelerator pedal: Fully released	0.56 - 0.96 V
		Accelerator pedal: Fully depressed	More than 4.0 V
TP SEN 1-B1 TP SEN 2-B1*1	<ul style="list-style-type: none"> <li>• Ignition switch: ON (Engine stopped)</li> <li>• Selector lever: D</li> </ul>	Accelerator pedal: Fully released	More than 0.36 V
		Accelerator pedal: Fully depressed	Less than 4.75 V
EVAP SYS PRES	• Ignition switch: ON		Approx. 1.8 - 4.8 V
START SIGNAL	• Ignition switch: ON → START → ON		OFF → ON → OFF
CLSD THL POS	• Ignition switch: ON (Engine stopped)	Accelerator pedal: Fully released	ON
		Accelerator pedal: Slightly depressed	OFF
AIR COND SIG	• Engine: After warming up, idle the engine	Air conditioner switch: OFF	OFF
		Air conditioner switch: ON (Compressor: Operates.)	ON
P/N POSI SW	• Ignition switch: ON	Selector lever: P or N position	ON
		Selector lever: Except above position	OFF

# ECM

< ECU DIAGNOSIS >

[VK56DE]

MONITOR ITEM	CONDITION	SPECIFICATION	
PW/ST SIGNAL	<ul style="list-style-type: none"> <li>• Engine: After warming up, idle the engine</li> </ul>	Steering wheel: Not being turned (Forward direction)	OFF
		Steering wheel: Being turned	ON
LOAD SIGNAL	<ul style="list-style-type: none"> <li>• Ignition switch: ON</li> </ul>	Rear window defogger switch is ON and/or lighting switch is in 2nd.	ON
		Rear window defogger switch is OFF and lighting switch is OFF.	OFF
IGNITION SW	<ul style="list-style-type: none"> <li>• Ignition switch: ON → OFF → ON</li> </ul>		ON → OFF → ON
HEATER FAN SW	<ul style="list-style-type: none"> <li>• Engine: After warming up, idle the engine</li> </ul>	Heater fan control switch: OFF	OFF
		Heater fan control switch: ON	ON
BRAKE SW	<ul style="list-style-type: none"> <li>• Ignition switch: ON</li> </ul>	Brake pedal: Fully released	OFF
		Brake pedal: Slightly depressed	ON
INJ PULSE-B1 INJ PULSE-B2	<ul style="list-style-type: none"> <li>• Engine: After warming up</li> <li>• Selector lever: P or N position</li> <li>• Air conditioner switch: OFF</li> <li>• No load</li> </ul>	Idle	2.0 - 2.8 msec
		2,000 rpm	1.9 - 2.9 msec
IGN TIMING	<ul style="list-style-type: none"> <li>• Engine: After warming up</li> <li>• Selector lever: P or N position</li> <li>• Air conditioner switch: OFF</li> <li>• No load</li> </ul>	Idle	10° - 20°BTDC
		2,000 rpm	25° - 45°BTDC
CAL/LD VALUE	<ul style="list-style-type: none"> <li>• Engine: After warming up</li> <li>• Selector lever: P or N position</li> <li>• Air conditioner switch: OFF</li> <li>• No load</li> </ul>	Idle	14% - 33%
		2,500 rpm	12% - 25%
MASS AIRFLOW	<ul style="list-style-type: none"> <li>• Engine: After warming up</li> <li>• Selector lever: P or N position</li> <li>• Air conditioner switch: OFF</li> <li>• No load</li> </ul>	Idle	3.0 - 9.0 g-m/s
		2,500 rpm	9.0 - 28.0 g-m/s
PURG VOL C/V	<ul style="list-style-type: none"> <li>• Engine: After warming up</li> <li>• Selector lever: P or N position</li> <li>• Air conditioner switch: OFF</li> <li>• No load</li> </ul>	Idle (Accelerator pedal: Not depressed even slightly, after engine starting.)	0%
		2,000 rpm	—
INT/V TIM (B1) INT/V TIM (B2)	<ul style="list-style-type: none"> <li>• Engine: After warming up</li> <li>• Selector lever: P or N position</li> <li>• Air conditioner switch: OFF</li> <li>• No load</li> </ul>	Idle	-5° - 5°C
		2,000 rpm	Approx. 0° - 20°C
INT/V SOL (B1) INT/V SOL (B2)	<ul style="list-style-type: none"> <li>• Engine: After warming up</li> <li>• Selector lever: P or N position</li> <li>• Air conditioner switch: OFF</li> <li>• No load</li> </ul>	Idle	0% - 2%
		2,000 rpm	Approx. 25% - 50%
AIR COND RLY	<ul style="list-style-type: none"> <li>• Engine: After warming up, idle the engine</li> </ul>	Air conditioner switch: OFF	OFF
		Air conditioner switch: ON (Compressor: Operates)	ON
FUEL PUMP RLY	<ul style="list-style-type: none"> <li>• For 1 second after turning ignition switch ON</li> <li>• Engine running or cranking</li> </ul>		ON
	<ul style="list-style-type: none"> <li>• Except above conditions</li> </ul>		OFF
VENT CONT/V	<ul style="list-style-type: none"> <li>• Ignition switch: ON</li> </ul>		OFF
THRTL RELAY	<ul style="list-style-type: none"> <li>• Ignition switch: ON</li> </ul>		ON

# ECM

< ECU DIAGNOSIS >

[VK56DE]

MONITOR ITEM	CONDITION		SPECIFICATION
COOLING FAN	<ul style="list-style-type: none"> <li>• Engine: After warming up, idle the engine</li> <li>• Air conditioner switch: OFF</li> </ul>	Engine coolant temperature: 97°C (207°F) or less	OFF
		Engine coolant temperature: Between 98°C (208°F) and 100°C (212°F)	LOW
		Engine coolant temperature: 101°C (214°F) or more	HI
HO2S2 HTR (B1) HO2S2 HTR (B2)	<ul style="list-style-type: none"> <li>• Engine speed is below 3,600 rpm after the following conditions are met.                             <ul style="list-style-type: none"> <li>- Engine: After warming up</li> <li>- Keeping the engine speed between 3,500 and 4,000 rpm for 1 minute and at idle for 1 minute under no load</li> </ul> </li> </ul>		ON
	<ul style="list-style-type: none"> <li>• Engine speed: Above 3,600 rpm</li> </ul>		OFF
I/P PULLY SPD	<ul style="list-style-type: none"> <li>• Vehicle speed: More than 20 km/h (12 MPH)</li> </ul>		Almost the same speed as the tachometer indication
VEHICLE SPEED	<ul style="list-style-type: none"> <li>• Turn drive wheels and compare CONSULT-III value with the speedometer indication.</li> </ul>		Almost the same speed as the speedometer indication
TRVL AFTER MIL	<ul style="list-style-type: none"> <li>• Ignition switch: ON</li> </ul>	Vehicle has traveled after MIL has illuminated.	0 - 65,535 km (0 - 40,723 mile)
A/F S1 HTR (B1) A/F S1 HTR (B2)	<ul style="list-style-type: none"> <li>• Engine: After warming up, idle the engine</li> </ul>		4 - 100%
AC PRESS SEN	<ul style="list-style-type: none"> <li>• Engine: Idle</li> <li>• Both A/C switch and blower fan switch: ON (Compressor operates.)</li> </ul>		1.0 - 4.0 V
VHCL SPEED SE	<ul style="list-style-type: none"> <li>• Turn drive wheels and compare CONSULT-III value with the speedometer indication.</li> </ul>		Almost the same speed as the speedometer indication
SET VHCL SPD	<ul style="list-style-type: none"> <li>• Engine: Running</li> </ul>	ASCD: Operating.	The preset vehicle speed is displayed.
MAIN SW	<ul style="list-style-type: none"> <li>• Ignition switch: ON</li> </ul>	MAIN switch: Pressed	ON
		MAIN switch: Released	OFF
CANCEL SW	<ul style="list-style-type: none"> <li>• Ignition switch: ON</li> </ul>	CANCEL switch: Pressed	ON
		CANCEL switch: Released	OFF
RESUME/ACC SW	<ul style="list-style-type: none"> <li>• Ignition switch: ON</li> </ul>	RESUME/ACCELERATE switch: Pressed	ON
		RESUME/ACCELERATE switch: Released	OFF
SET SW	<ul style="list-style-type: none"> <li>• Ignition switch: ON</li> </ul>	SET/COAST switch: Pressed	ON
		SET/COAST switch: Released	OFF
BRAKE SW1	<ul style="list-style-type: none"> <li>• Ignition switch: ON</li> </ul>	Brake pedal: Fully released	ON
		Brake pedal: Slightly depressed	OFF
BRAKE SW2	<ul style="list-style-type: none"> <li>• Ignition switch: ON</li> </ul>	Brake pedal: Fully released	OFF
		Brake pedal: Slightly depressed	ON
CRUISE LAMP	<ul style="list-style-type: none"> <li>• Ignition switch: ON</li> </ul>	MAIN switch: Pressed at the 1st time → at the 2nd time	ON → OFF
SET LAMP	<ul style="list-style-type: none"> <li>• MAIN switch: ON</li> <li>• Vehicle speed: Between 40 km/h (25 MPH) and 144 km/h (89 MPH)</li> </ul>	ASCD: Operating	ON
		ASCD: Not operating	OFF
ALT DUTY	<ul style="list-style-type: none"> <li>• Engine: Idle</li> </ul>		0 - 80%
BAT CUR SEN	<ul style="list-style-type: none"> <li>• Engine speed: Idle</li> <li>• Battery: Fully charged*2</li> <li>• Selector lever: P or N position</li> <li>• Air conditioner switch: OFF</li> <li>• No load</li> </ul>		Approx. 2,600 - 3,500 mV

A  
EC  
C  
D  
E  
F  
G  
H  
I  
J  
K  
L  
M  
N  
O  
P

# ECM

[VK56DE]

## < ECU DIAGNOSIS >

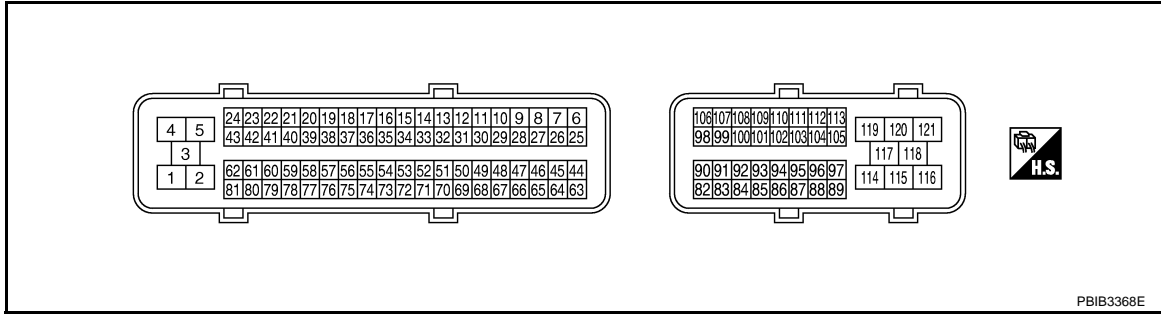
MONITOR ITEM	CONDITION	SPECIFICATION
ALT DUTY SIG	• Power generation voltage variable control: Operating	ON
	• Power generation voltage variable control: Not operating	OFF

\*1: Accelerator pedal position sensor 2 signal and throttle position sensor 2 signal are converted by ECM internally. Thus, they differ from ECM terminals voltage signal.

\*2: Before measuring the terminal voltage, confirm the battery is fully charged. Refer to [PG-5. "How to Handle Battery"](#).

## ECM Harness Connector Terminal Layout

INFOID:000000003936868



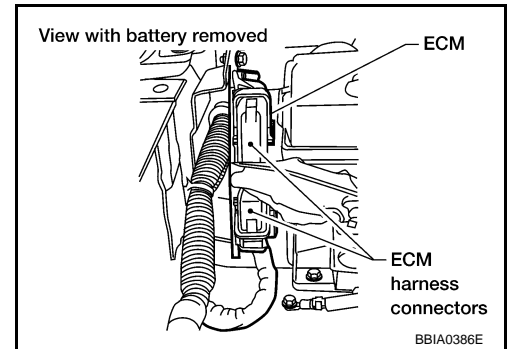
PBIB3368E

## ECM Terminal and Reference Value

INFOID:000000003936869

### PREPARATION

ECM is located in the engine room passenger side behind battery.



BBIA0386E

### ECM INSPECTION TABLE

Specification data are reference values and are measured between each terminal and ground. Pulse signal is measured by CONSULT-III.

#### CAUTION:

**Never use ECM ground terminals when measuring input/output voltage. Doing so may result in damage to the ECMs transistor. Use a ground other than ECM terminals, such as the ground.**

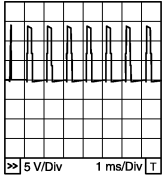
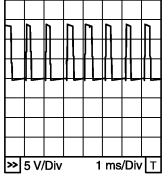
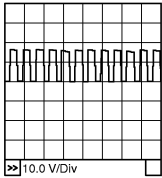
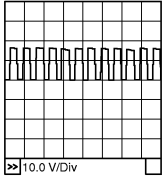
TER-MI-NAL NO.	WIRE COLOR	ITEM	CONDITION	DATA (DC Voltage)
2	G	A/F sensor 1 heater (bank 1)	<b>[Engine is running]</b> <ul style="list-style-type: none"> <li>• Warm-up condition</li> <li>• Idle speed (More than 140 seconds after starting engine)</li> </ul>	Approximately 2.9 - 8.8 V★  <small>10.0V/Div 50ms/Div</small>
3	V	Throttle control motor power supply	<b>[Ignition switch: ON]</b>	BATTERY VOLTAGE (11 - 14 V)

PBIA8148J

# ECM

< ECU DIAGNOSIS >

[VK56DE]

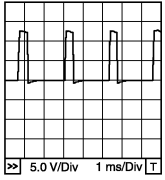
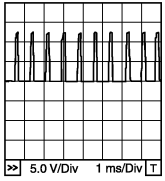
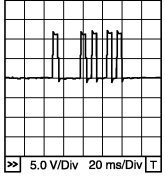
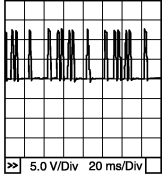
TER-MI-NAL NO.	WIRE COLOR	ITEM	CONDITION	DATA (DC Voltage)
4	L/W	Throttle control motor (Close)	<b>[Ignition switch: ON]</b> <ul style="list-style-type: none"> <li>• Engine: Stopped</li> <li>• Selector lever: D position</li> <li>• Accelerator pedal: Fully released</li> </ul>	0 - 14 V★  <small>PBIB1104E</small>
			<b>[Ignition switch: ON]</b> <ul style="list-style-type: none"> <li>• Engine: Stopped</li> <li>• Selector lever: D position</li> <li>• Accelerator pedal: Fully depressed</li> </ul>	0 - 14 V★  <small>PBIB1105E</small>
6	R	Heated oxygen sensor 2 heater (bank 1)	<b>[Engine is running]</b> <ul style="list-style-type: none"> <li>• Engine speed: Below 3,600 rpm after the following conditions are met.</li> <li>- Engine: After warming up</li> <li>- Keeping the engine speed between 3,500 and 4,000 rpm for 1 minute and at idle for 1 minute under no load</li> </ul>	0 - 1.0 V
			<b>[Ignition switch: ON]</b> <ul style="list-style-type: none"> <li>• Engine: Stopped</li> </ul> <b>[Engine is running]</b> <ul style="list-style-type: none"> <li>• Engine speed: Above 3,600 rpm</li> </ul>	BATTERY VOLTAGE (11 - 14 V)
10	W	Intake valve timing control solenoid valve (bank 1)	<b>[Engine is running]</b> <ul style="list-style-type: none"> <li>• Warm-up condition</li> <li>• Idle speed</li> </ul>	BATTERY VOLTAGE (11 - 14 V)
			<b>[Engine is running]</b> <ul style="list-style-type: none"> <li>• Warm-up condition</li> <li>• Engine speed: 2,000rpm</li> </ul>	7 - 12 V★  <small>PBIB1790E</small>
11	LG	Intake valve timing control solenoid valve (bank 2)	<b>[Engine is running]</b> <ul style="list-style-type: none"> <li>• Warm-up condition</li> <li>• Idle speed</li> </ul>	BATTERY VOLTAGE (11 - 14 V)
			<b>[Engine is running]</b> <ul style="list-style-type: none"> <li>• Warm-up condition</li> <li>• Engine speed: 2,000rpm</li> </ul>	7 - 12 V★  <small>PBIB1790E</small>
12	P	Power steering pressure sensor	<b>[Engine is running]</b> <ul style="list-style-type: none"> <li>• Steering wheel: Being turned</li> </ul>	0.5 - 4.5 V
			<b>[Engine is running]</b> <ul style="list-style-type: none"> <li>• Steering wheel: Not being turned</li> </ul>	0.4 - 0.8 V

A  
EC  
C  
D  
E  
F  
G  
H  
I  
J  
K  
L  
M  
N  
O  
P

# ECM

< ECU DIAGNOSIS >

[VK56DE]

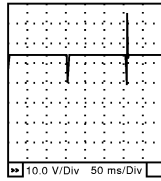
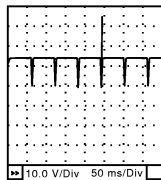
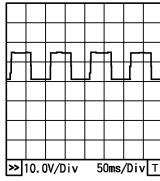
TER-MI-NAL NO.	WIRE COLOR	ITEM	CONDITION	DATA (DC Voltage)
13	G	Crankshaft position sensor (POS)	<p><b>[Engine is running]</b></p> <ul style="list-style-type: none"> <li>• Warm-up condition</li> <li>• Idle speed</li> </ul> <p><b>NOTE:</b> The pulse cycle changes depending on rpm at idle</p>	<p>Approximately 10 V★</p>  <p style="text-align: right; font-size: small;">PBIB1041E</p>
			<p><b>[Engine is running]</b></p> <ul style="list-style-type: none"> <li>• Engine speed: 2,000 rpm</li> </ul>	<p>Approximately 10 V★</p>  <p style="text-align: right; font-size: small;">PBIB1042E</p>
14	SB	Camshaft position sensor (PHASE)	<p><b>[Engine is running]</b></p> <ul style="list-style-type: none"> <li>• Warm-up condition</li> <li>• Idle speed</li> </ul> <p><b>NOTE:</b> The pulse cycle changes depending on rpm at idle</p>	<p>1.0 - 4.0 V★</p>  <p style="text-align: right; font-size: small;">PBIB1039E</p>
			<p><b>[Engine is running]</b></p> <ul style="list-style-type: none"> <li>• Engine speed: 2,000 rpm</li> </ul>	<p>1.0 - 4.0 V★</p>  <p style="text-align: right; font-size: small;">PBIB1040E</p>
15	W	Knock sensor (bank 1)	<p><b>[Engine is running]</b></p> <ul style="list-style-type: none"> <li>• Idle speed</li> </ul>	Approximately 2.5 V
16	L	A/F sensor 1 (bank 2)	<p><b>[Engine is running]</b></p> <ul style="list-style-type: none"> <li>• Warm-up condition</li> <li>• Engine speed: 2,000 rpm</li> </ul>	<p>Approximately 1.8 V</p> <p>Output voltage varies with air fuel ratio.</p>



# ECM

< ECU DIAGNOSIS >

[VK56DE]

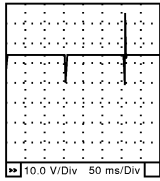
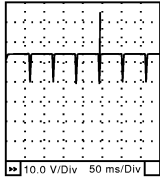
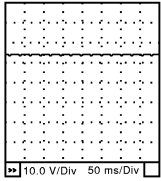
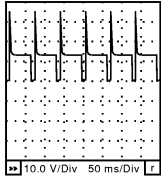
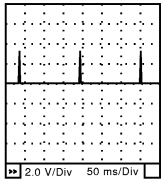
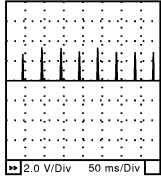
TER-MI-NAL NO.	WIRE COLOR	ITEM	CONDITION	DATA (DC Voltage)
21 22 23 44	L V G L	Fuel injector No. 5 Fuel injector No. 3 Fuel injector No. 1 Fuel injector No. 7	<p><b>[Engine is running]</b></p> <ul style="list-style-type: none"> <li>• Warm-up condition</li> <li>• Idle speed</li> </ul> <p><b>NOTE:</b> The pulse cycle changes depending on rpm at idle</p>	<p>BATTERY VOLTAGE (11 - 14 V)★</p>  <p style="text-align: right; font-size: small;">SEC984C</p>
			<p><b>[Engine is running]</b></p> <ul style="list-style-type: none"> <li>• Warm-up condition</li> <li>• Engine speed: 2,000 rpm</li> </ul>	<p>BATTERY VOLTAGE (11 - 14 V)★</p>  <p style="text-align: right; font-size: small;">SEC985C</p>
24 43	G G	A/F sensor 1 heater (bank 2)	<p><b>[Engine is running]</b></p> <ul style="list-style-type: none"> <li>• Warm-up condition</li> <li>• Idle speed (More than 140 seconds after starting engine)</li> </ul>	<p>Approximately 2.9 - 8.8 V★</p>  <p style="text-align: right; font-size: small;">PBIAB148J</p>
25	P	Heated oxygen sensor 2 heater (bank 2)	<p><b>[Engine is running]</b></p> <ul style="list-style-type: none"> <li>• Engine speed: Below 3,600 rpm after the following conditions are met.</li> <li>- Engine: After warming up</li> <li>- Keeping the engine speed between 3,500 and 4,000 rpm for 1 minute and at idle for 1 minute under no load</li> </ul>	0 - 1.0 V
			<p><b>[Ignition switch: ON]</b></p> <ul style="list-style-type: none"> <li>• Engine: Stopped</li> </ul> <p><b>[Engine is running]</b></p> <ul style="list-style-type: none"> <li>• Engine speed: Above 3,600 rpm</li> </ul>	BATTERY VOLTAGE (11 - 14 V)
32	W	EVAP control system pressure sensor	<b>[Ignition switch: ON]</b>	Approximately 1.8 - 4.8 V
34	BR	Intake air temperature sensor	<b>[Engine is running]</b>	Approximately 0 - 4.8 V Output voltage varies with intake air temperature.
35	O	A/F sensor 1 (bank 1)	<p><b>[Engine is running]</b></p> <ul style="list-style-type: none"> <li>• Warm-up condition</li> <li>• Engine speed: 2,000 rpm</li> </ul>	Approximately 1.8 V Output voltage varies with air fuel ratio.
36	W	Knock sensor (bank 2)	<p><b>[Engine is running]</b></p> <ul style="list-style-type: none"> <li>• Idle speed</li> </ul>	Approximately 2.5 V

A  
EC  
C  
D  
E  
F  
G  
H  
I  
J  
K  
L  
M  
N  
O  
P

# ECM

## < ECU DIAGNOSIS >

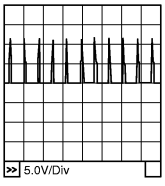
[VK56DE]

TER-MI-NAL NO.	WIRE COLOR	ITEM	CONDITION	DATA (DC Voltage)
40 41 42 63	V R O W	Fuel injector No. 6 Fuel injector No. 4 Fuel injector No. 2 Fuel injector No. 8	<p><b>[Engine is running]</b></p> <ul style="list-style-type: none"> <li>• Warm-up condition</li> <li>• Idle speed</li> </ul> <p><b>NOTE:</b> The pulse cycle changes depending on rpm at idle</p>	<p><b>BATTERY VOLTAGE</b> (11 - 14 V)★</p>  <p style="text-align: right;">SEC984C</p>
			<p><b>[Engine is running]</b></p> <ul style="list-style-type: none"> <li>• Warm-up condition</li> <li>• Engine speed: 2,000 rpm</li> </ul>	<p><b>BATTERY VOLTAGE</b> (11 - 14 V)★</p>  <p style="text-align: right;">SEC985C</p>
45	R	EVAP canister purge volume control solenoid valve	<p><b>[Engine is running]</b></p> <ul style="list-style-type: none"> <li>• Idle speed</li> <li>• Accelerator pedal: Not depressed even slightly, after engine starting</li> </ul>	<p><b>BATTERY VOLTAGE</b> (11 - 14 V)★</p>  <p style="text-align: right;">SEC990C</p>
			<p><b>[Engine is running]</b></p> <ul style="list-style-type: none"> <li>• Engine speed: About 2,000 rpm (More than 100 seconds after starting engine)</li> </ul>	<p><b>BATTERY VOLTAGE</b> (11 - 14 V)★</p>  <p style="text-align: right;">SEC991C</p>
46 60 61 62	LG V L Y	Ignition signal No. 7 Ignition signal No. 5 Ignition signal No. 3 Ignition signal No. 1	<p><b>[Engine is running]</b></p> <ul style="list-style-type: none"> <li>• Warm-up condition</li> <li>• Idle speed</li> </ul> <p><b>NOTE:</b> The pulse cycle changes depending on rpm at idle</p>	<p><b>0 - 0.3 V★</b></p>  <p style="text-align: right;">SEC986C</p>
			<p><b>[Engine is running]</b></p> <ul style="list-style-type: none"> <li>• Warm-up condition</li> <li>• Engine speed: 2,500 rpm</li> </ul>	<p><b>0.1 - 0.6 V★</b></p>  <p style="text-align: right;">SEC987C</p>
47	L	Sensor power supply (Throttle position sensor)	<b>[Ignition switch: ON]</b>	Approximately 5 V

# ECM

< ECU DIAGNOSIS >

[VK56DE]

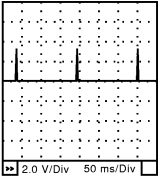
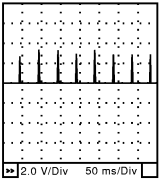
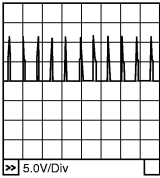
TER-MI-NAL NO.	WIRE COLOR	ITEM	CONDITION	DATA (DC Voltage)
48	SB	Sensor power supply (EVAP control system pressure sensor)	[Ignition switch: ON]	Approximately 5 V
49	P	Sensor power supply (Refrigerant pressure sensor)	[Ignition switch: ON]	Approximately 5 V
50	W	Throttle position sensor 1	[Ignition switch: ON] • Engine: Stopped • Selector lever: D position • Accelerator pedal: Fully released	More than 0.36 V
			[Ignition switch: ON] • Engine: Stopped • Selector lever: D position • Accelerator pedal: Fully depressed	Less than 4.75 V
51	P	Mass air flow sensor	[Engine is running] • Warm-up condition • Idle speed	1.0 - 1.3 V
			[Engine is running] • Warm-up condition • Engine speed: 2,500 rpm	1.7 - 2.1 V
53	L	Intake valve timing control position sensor (Bank 2)	[Engine is running] • Warm-up condition • Idle speed	0 - 1.0 V
			[Engine is running] • Engine speed: 2,000 rpm	0 - 1.0 V★ 
55	G	Heated oxygen sensor 2 (bank 1)	[Engine is running] • Revving engine from idle to 3,000 rpm quickly after the following conditions are met. - Engine: After warming up - Keeping the engine speed between 3,500 and 4,000 rpm for 1 minute and at idle for 1 minute under no load	0 - Approximately 1.0 V
56	W	A/F sensor 1 (bank 1)	[Ignition switch: ON]	Approximately 2.2 V

A  
EC  
C  
D  
E  
F  
G  
H  
I  
J  
K  
L  
M  
N  
O  
P

# ECM

< ECU DIAGNOSIS >

[VK56DE]

TERMINAL NO.	WIRE COLOR	ITEM	CONDITION	DATA (DC Voltage)
65 79 80 81	GR P GR G	Ignition signal No. 8 Ignition signal No. 6 Ignition signal No. 4 Ignition signal No. 2	<p><b>[Engine is running]</b></p> <ul style="list-style-type: none"> <li>• Warm-up condition</li> <li>• Idle speed</li> </ul> <p><b>NOTE:</b> The pulse cycle changes depending on rpm at idle</p>	<p>0 - 0.3 V★</p>  <p style="text-align: right;">SEC986C</p>
			<p><b>[Engine is running]</b></p> <ul style="list-style-type: none"> <li>• Warm-up condition</li> <li>• Engine speed: 2,500 rpm</li> </ul>	<p>0.1 - 0.6 V★</p>  <p style="text-align: right;">SEC987C</p>
66	B	Sensor ground (Throttle position sensor)	<p><b>[Engine is running]</b></p> <ul style="list-style-type: none"> <li>• Warm-up condition</li> <li>• Idle speed</li> </ul>	Approximately 0 V
67	B	Sensor ground	<p><b>[Engine is running]</b></p> <ul style="list-style-type: none"> <li>• Warm-up condition</li> <li>• Idle speed</li> </ul>	Approximately 0 V
68	G	Sensor power supply (PSP sensor)	<b>[Ignition switch: ON]</b>	Approximately 5 V
69	R	Throttle position sensor 2	<p><b>[Ignition switch: ON]</b></p> <ul style="list-style-type: none"> <li>• Engine: Stopped</li> <li>• Selector lever: D position</li> <li>• Accelerator pedal: Fully released</li> </ul>	Less than 4.75 V
			<p><b>[Ignition switch: ON]</b></p> <ul style="list-style-type: none"> <li>• Engine: Stopped</li> <li>• Selector lever: D position</li> <li>• Accelerator pedal: Fully depressed</li> </ul>	More than 0.36 V
70	BR	Refrigerant pressure sensor	<p><b>[Engine is running]</b></p> <ul style="list-style-type: none"> <li>• Warm-up condition</li> <li>• Both A/C switch and blower fan switch: ON (Compressor: Operates.)</li> </ul>	1.0 - 4.0 V
71	R	Battery current sensor	<p><b>[Engine is running]</b></p> <ul style="list-style-type: none"> <li>• Battery: Fully charged*</li> <li>• Idle speed</li> </ul>	Approximately 2.6 - 3.5 V
72	Y	Intake valve timing control position sensor (Bank 1)	<p><b>[Engine is running]</b></p> <ul style="list-style-type: none"> <li>• Warm-up condition</li> <li>• Idle speed</li> </ul>	0 - 1.0 V
			<p><b>[Engine is running]</b></p> <ul style="list-style-type: none"> <li>• Engine speed: 2,000rpm</li> </ul>	<p>0 - 1.0 V★</p>  <p style="text-align: right;">PBIB2046E</p>
73	Y	Engine coolant temperature sensor	<b>[Engine is running]</b>	Approximately 0 - 4.8 V Output voltage varies with engine coolant temperature.

# ECM

< ECU DIAGNOSIS >

[VK56DE]

TER-MI-NAL NO.	WIRE COLOR	ITEM	CONDITION	DATA (DC Voltage)	A
74	SB	Heated oxygen sensor 2 (bank 2)	<b>[Engine is running]</b> <ul style="list-style-type: none"> <li>• Revving engine from idle to 3,000 rpm quickly after the following conditions are met.</li> <li>- Engine: After warming up</li> <li>- Keeping the engine speed between 3,500 and 4,000 rpm for 1 minute and at idle for 1 minute under no load</li> </ul>	0 - Approximately 1.0 V	EC
75	P	A/F sensor 1 (bank 2)	<b>[Ignition switch: ON]</b>	Approximately 2.2 V	C
78	GR	Sensor ground (Heated oxygen sensor 2)	<b>[Engine is running]</b> <ul style="list-style-type: none"> <li>• Warm-up condition</li> <li>• Idle speed</li> </ul>	Approximately 0 V	D
82	B	Sensor ground (APP sensor 1)	<b>[Engine is running]</b> <ul style="list-style-type: none"> <li>• Warm-up condition</li> <li>• Idle speed</li> </ul>	Approximately 0 V	E
83	B	Sensor ground (APP sensor 2)	<b>[Engine is running]</b> <ul style="list-style-type: none"> <li>• Warm-up condition</li> <li>• Idle speed</li> </ul>	Approximately 0 V	F
85	W	Data link connector	—	—	G
86	P	CAN communication line	—	—	H
90	L	Sensor power supply (APP sensor 1)	<b>[Ignition switch: ON]</b>	Approximately 5 V	I
91	G	Sensor power supply (APP sensor 2)	<b>[Ignition switch: ON]</b>	Approximately 5 V	J
94	L	CAN communication line	—	—	K
98	GR	Accelerator pedal position sensor 2	<b>[Ignition switch: ON]</b> <ul style="list-style-type: none"> <li>• Engine: Stopped</li> <li>• Accelerator pedal: Fully released</li> </ul>	0.28 - 0.48 V	L
			<b>[Ignition switch: ON]</b> <ul style="list-style-type: none"> <li>• Engine: Stopped</li> <li>• Accelerator pedal: Fully depressed</li> </ul>	More than 2.0 V	M
99	SB	ASCD steering switch	<b>[Ignition switch: ON]</b> <ul style="list-style-type: none"> <li>• ASCD steering switch: OFF</li> </ul>	Approximately 4 V	N
			<b>[Ignition switch: ON]</b> <ul style="list-style-type: none"> <li>• MAIN switch: Pressed</li> </ul>	Approximately 0V	O
			<b>[Ignition switch: ON]</b> <ul style="list-style-type: none"> <li>• CANCEL switch: Pressed</li> </ul>	Approximately 1 V	P
			<b>[Ignition switch: ON]</b> <ul style="list-style-type: none"> <li>• RESUME/ACCELERATE switch: Pressed</li> </ul>	Approximately 3 V	
			<b>[Ignition switch: ON]</b> <ul style="list-style-type: none"> <li>• SET/COAST switch: Pressed</li> </ul>	Approximately 2 V	
101	LG	Stop lamp switch	<b>[Ignition switch: OFF]</b> <ul style="list-style-type: none"> <li>• Brake pedal: Fully released</li> </ul>	Approximately 0 V	
			<b>[Ignition switch: OFF]</b> <ul style="list-style-type: none"> <li>• Brake pedal: Slightly depressed</li> </ul>	BATTERY VOLTAGE (11 - 14 V)	
102	G	PNP signal	<b>[Ignition switch: ON]</b> <ul style="list-style-type: none"> <li>• Selector lever: P or N position</li> </ul>	Approximately 0 V	
			<b>[Ignition switch: ON]</b> <ul style="list-style-type: none"> <li>• Selector lever: Except above position</li> </ul>	BATTERY VOLTAGE (11 - 14 V)	

# ECM

< ECU DIAGNOSIS >

[VK56DE]

TER-MI-NAL NO.	WIRE COLOR	ITEM	CONDITION	DATA (DC Voltage)
104	O	Throttle control motor relay	[Ignition switch: OFF]	BATTERY VOLTAGE (11 - 14 V)
			[Ignition switch: ON]	0 - 1.0 V
106	R	Accelerator pedal position sensor 1	[Ignition switch: ON] • Engine: Stopped • Accelerator pedal: Fully released	0.65 - 0.87 V
			[Ignition switch: ON] • Engine: Stopped • Accelerator pedal: Fully depressed	More than 4.3 V
107	Y	Fuel tank temperature sensor	[Engine is running]	Approximately 0 - 4.8 V Output voltage varies with fuel tank temperature.
108	LG	ASCD brake switch	[Ignition switch: ON] • Brake pedal: Slightly depressed	Approximately 0 V
			[Ignition switch: ON] • Brake pedal: Fully released	BATTERY VOLTAGE (11 - 14 V)
109	W/R	Ignition switch	[Ignition switch: OFF]	0 V
			[Ignition switch: ON]	BATTERY VOLTAGE (11 - 14 V)
111	BR	ECM relay (Self shut-off)	[Engine is running] [Ignition switch: OFF] • For a few seconds after turning ignition switch OFF	0 - 1.5 V
			[Ignition switch: OFF] • More than a few seconds after turning ignition switch OFF	BATTERY VOLTAGE (11 - 14 V)
113	V	Fuel pump relay	[Ignition switch: ON] • For 1 second after turning ignition switch ON [Engine is running]	0 - 1.5 V
			[Ignition switch: ON] • More than 1 second after turning ignition switch ON	BATTERY VOLTAGE (11 - 14 V)
115 116	B GR	ECM ground	[Engine is running] • Idle speed	Body ground
117	G	EVAP canister vent control valve	[Ignition switch: ON]	BATTERY VOLTAGE (11 - 14 V)
119 120	R P	Power supply for ECM	[Ignition switch: ON]	BATTERY VOLTAGE (11 - 14 V)
121	R/B	Power supply for ECM (Back up)	[Ignition switch: OFF]	BATTERY VOLTAGE (11 - 14 V)

★: Average voltage for pulse signal (Actual pulse signal can be confirmed by oscilloscope.)

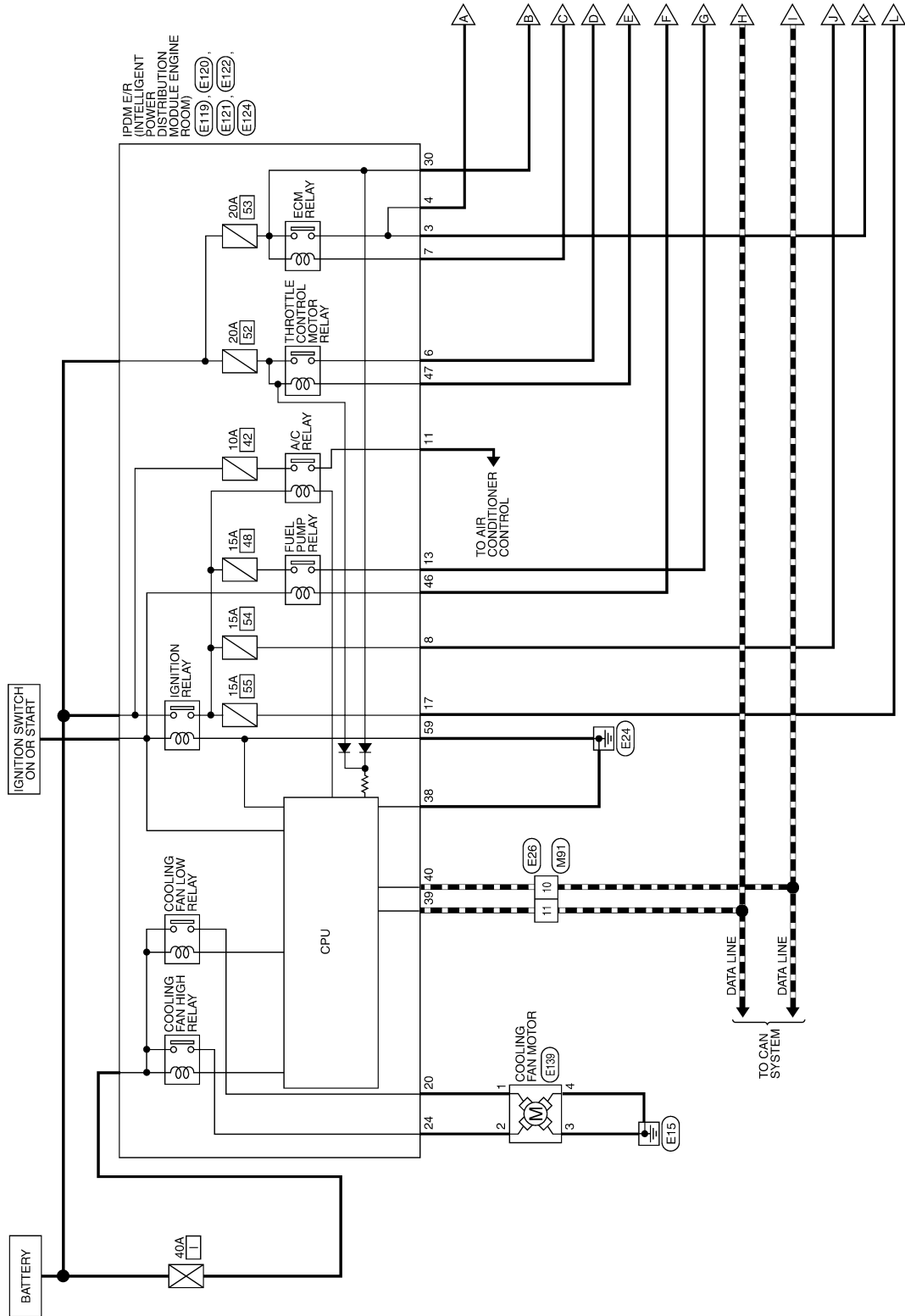
\*:Before measuring the terminal voltage, confirm that the battery is fully charged. Refer to [PG-5, "How to Handle Battery"](#).

Wiring Diagram - ENGINE CONTROL SYSTEM -

INFOID:000000003936870

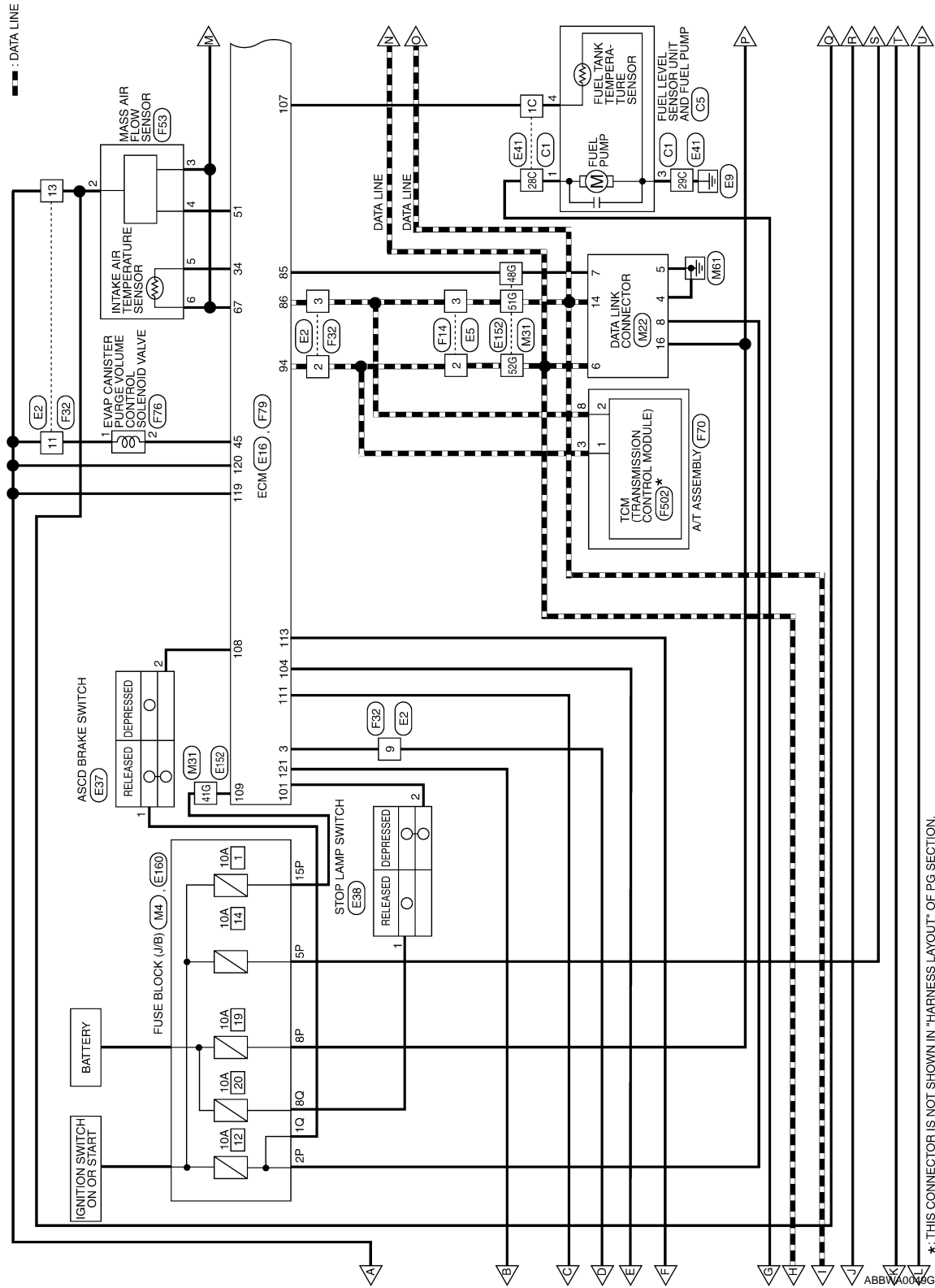
ENGINE CONTROL SYSTEM - VK56DE

--- : DATA LINE



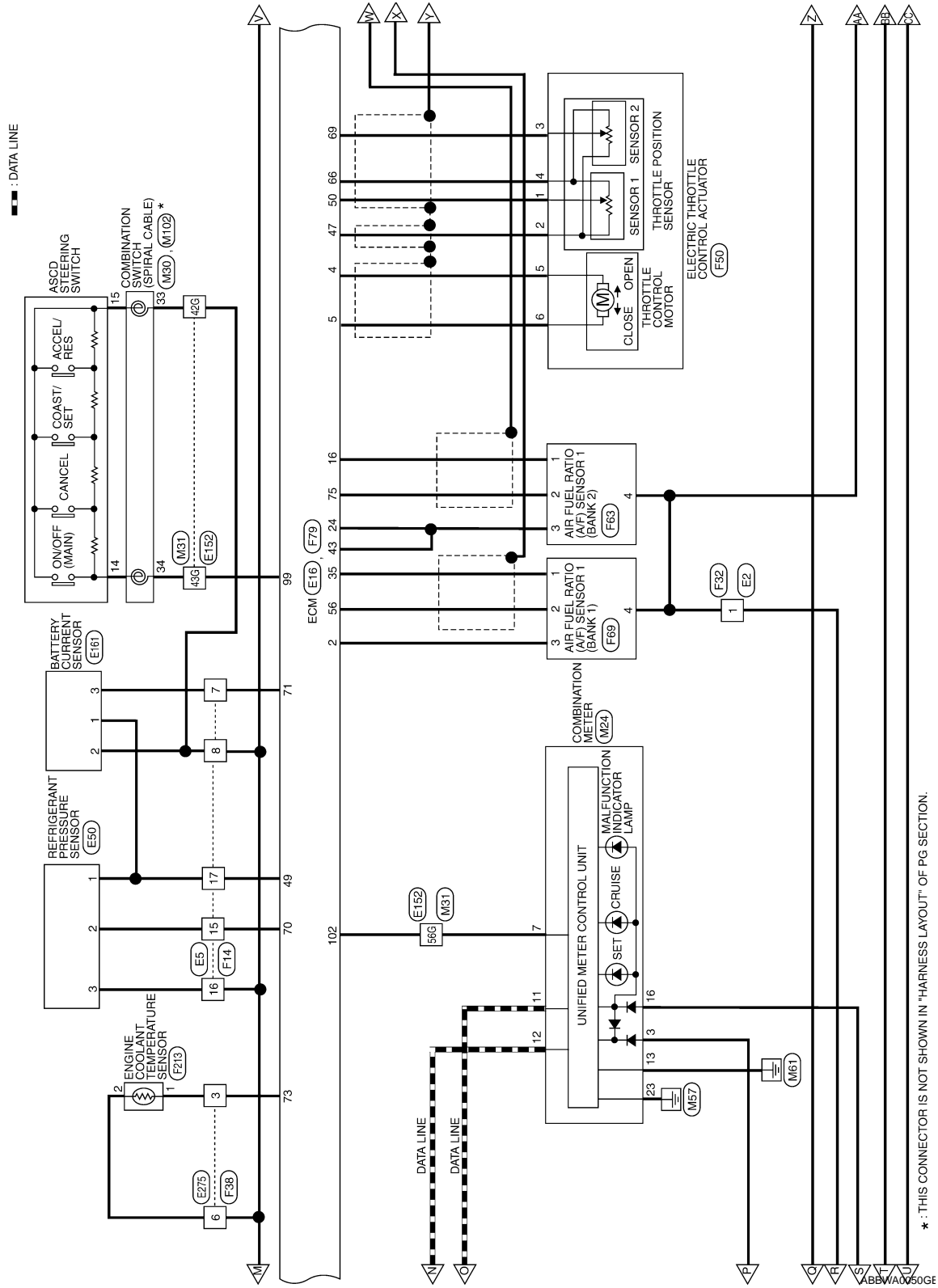
ABBWA0048GE

A  
EC  
C  
D  
E  
F  
G  
H  
I  
J  
K  
L  
M  
N  
O  
P



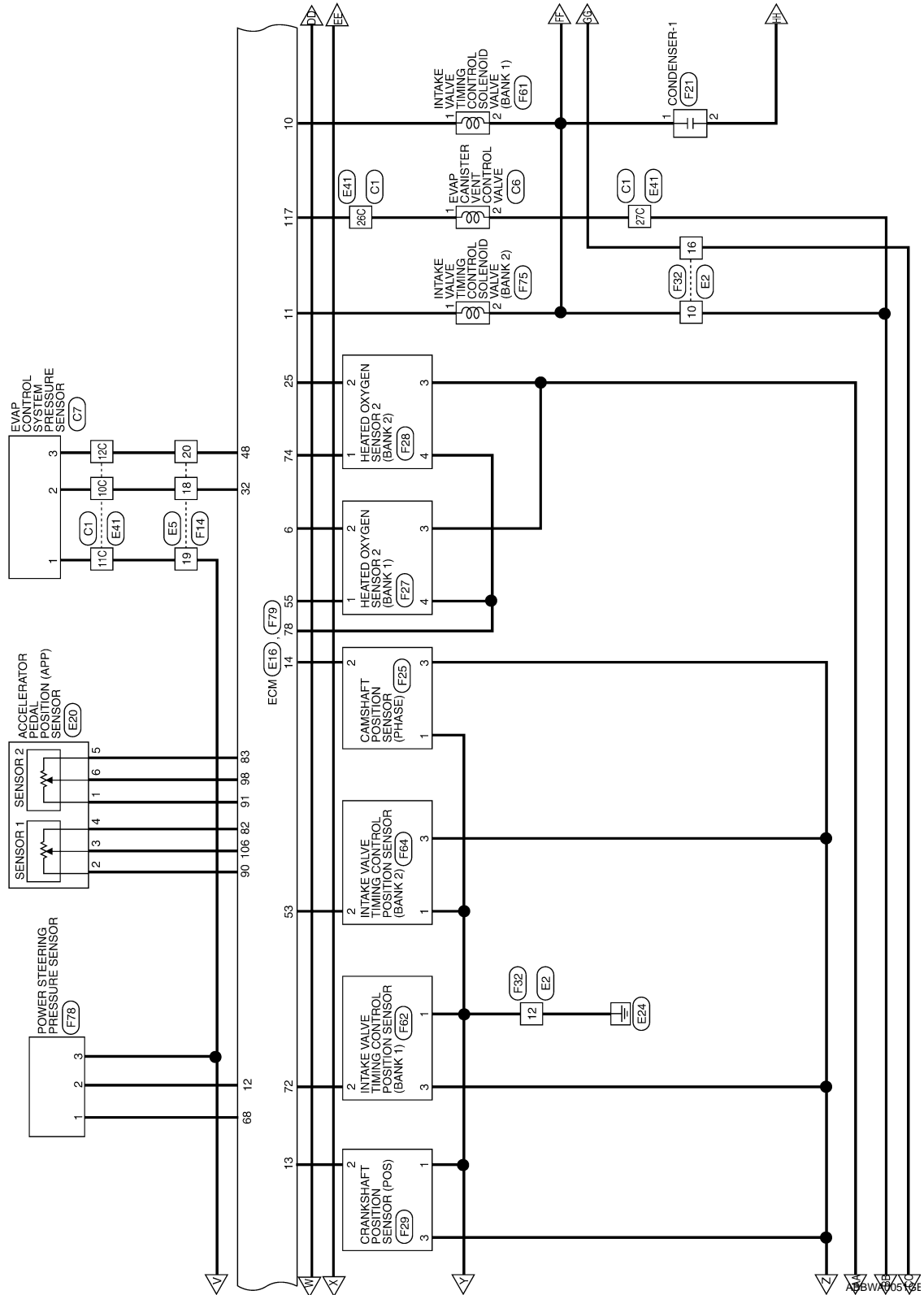
\*: THIS CONNECTOR IS NOT SHOWN IN "HARNES LAYOUT" OF PG SECTION.

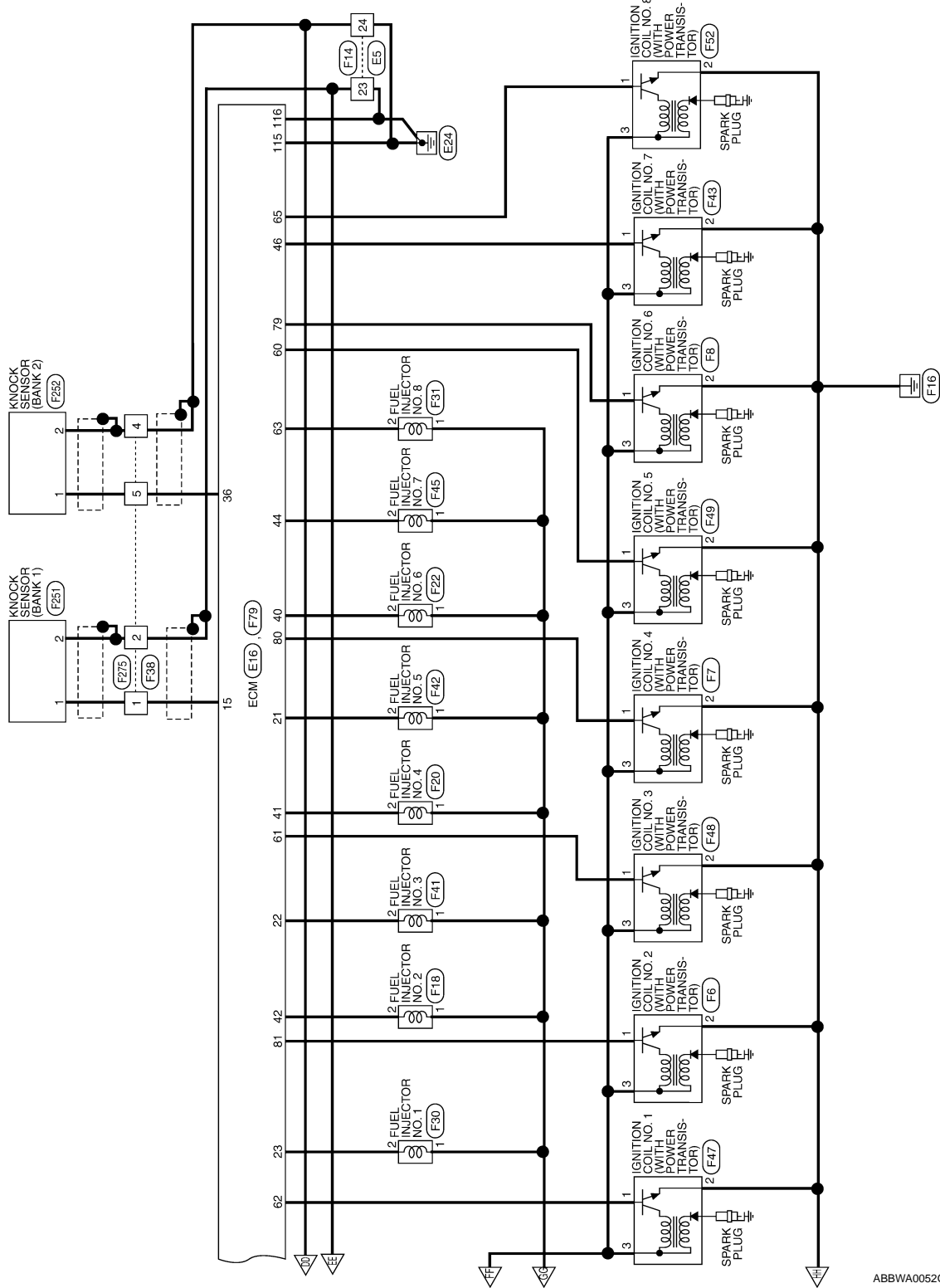




\* : THIS CONNECTOR IS NOT SHOWN IN "HARNES LAYOUT" OF PG SECTION.

A  
EC  
C  
D  
E  
F  
G  
H  
I  
J  
K  
L  
M  
N  
O  
P





ABBWA0052GE

A  
EC  
C  
D  
E  
F  
G  
H  
I  
J  
K  
L  
M  
N  
O  
P

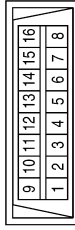
ENGINE CONTROL SYSTEM CONNECTORS-VK56DE

Connector No.	M4
Connector Name	FUSE BLOCK (J/B)
Connector Color	WHITE



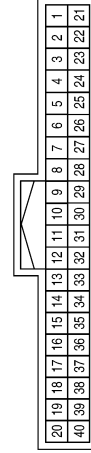
Terminal No.	Color of Wire	Signal Name
2P	W/G	-
5P	W/G	-
8P	R/Y	-
15P	W/R	-

Connector No.	M22
Connector Name	DATA LINK CONNECTOR
Connector Color	WHITE



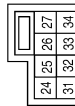
Terminal No.	Color of Wire	Signal Name
4	B	-
5	B	-
6	L	-
7	W	-
8	W/G	-
14	P	-
16	R/Y	-

Connector No.	M24
Connector Name	COMBINATION METER
Connector Color	WHITE



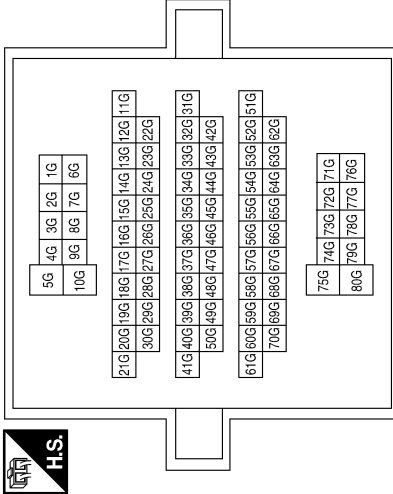
Terminal No.	Color of Wire	Signal Name
3	R/Y	BATTERY
7	G	AT-PN ECM
11	P	CAN-L
12	L	CAN-H
13	GR	GROUND
16	W/G	RUN START
23	B	POWER GND

Connector No.	M30
Connector Name	COMBINATION SWITCH
Connector Color	GRAY



Terminal No.	Color of Wire	Signal Name
33	B	ASCD_RTN
34	SB	ASCD

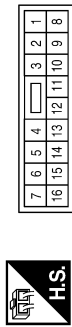
Connector No.	M31
Connector Name	WIRE TO WIRE
Connector Color	WHITE



Terminal No.	Color of Wire	Signal Name
41G	W/R	-
42G	B	-
43G	SB	-
48G	W	-
51G	P	-
52G	L	-
56G	G	-

A  
EC  
C  
D  
E  
F  
G  
H  
I  
J  
K  
L  
M  
N  
O  
P

Connector No.	M91
Connector Name	WIRE TO WIRE
Connector Color	WHITE



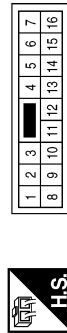
Terminal No.	Color of Wire	Signal Name
10	P	-
11	L	-

Connector No.	M102
Connector Name	COMBINATION SWITCH
Connector Color	GRAY



Terminal No.	Color of Wire	Signal Name
14	SB	-
15	B	-

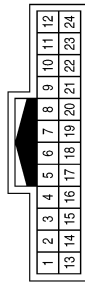
Connector No.	E2
Connector Name	WIRE TO WIRE
Connector Color	WHITE



Terminal No.	Color of Wire	Signal Name
1	W/R	-
2	L	-

Terminal No.	Color of Wire	Signal Name
3	P	-
9	V	-
10	G	-
11	GR	-
12	BR	-
13	LG	-
16	W/G	-

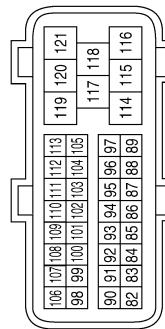
Connector No.	E5
Connector Name	WIRE TO WIRE
Connector Color	WHITE



Terminal No.	Color of Wire	Signal Name
2	L	-
3	P	-

Terminal No.	Color of Wire	Signal Name
7	R	-
8	B	-
15	BR	-
16	B	-
17	P	-
18	W	-
19	B	-
20	SB	-
23	GR	-
24	B	-

Connector No.	E16
Connector Name	ECM
Connector Color	BLACK

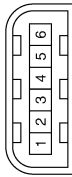


Terminal No.	Color of Wire	Signal Name
82	B	GND-A
83	B	GND-A2
84	-	-

Terminal No.	Color of Wire	Signal Name
85	W	K-LINE
86	P	CAN-L
87	-	-
88	-	-
89	-	-
90	L	AVCC
91	G	AVCC2
92	-	-
93	-	-
94	L	CAN-H
95	-	-
96	-	-
97	-	-
98	GR	APS2
99	SB	ASCD_SW
100	-	-
101	LG	BRAKE
102	G	NEUT
103	-	-

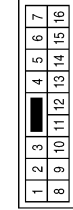
Terminal No.	Color of Wire	Signal Name
104	O	MOTRLY
105	-	-
106	R	APS1
107	Y	TF
108	LG	BNCSW
109	W/R	IGNSW
110	-	-
111	BR	SSOFF
112	-	-
113	V	FPR
114	-	-
115	B	GND
116	GR	GND
117	G	CDCV
118	-	-
119	R	VB
120	P	VB
121	R/B	BATT

Connector No.	E20
Connector Name	ACCELERATOR PEDAL POSITION (APP) SENSOR
Connector Color	BLACK



Terminal No.	Color of Wire	Signal Name
1	G	AVCC2
2	L	AVCC1
3	R	APS1
4	B	GND-A
5	B	GND-A2
6	GR	APS2

Connector No.	E26
Connector Name	WIRE TO WIRE
Connector Color	WHITE



Terminal No.	Color of Wire	Signal Name
10	P	-
11	L	-

Connector No.	E37
Connector Name	ASCD BRAKE SWITCH
Connector Color	BROWN



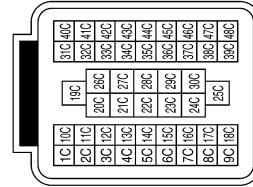
Terminal No.	Color of Wire	Signal Name
1	W/G	-
2	LG	-

Connector No.	E38
Connector Name	STOP LAMP SWITCH
Connector Color	WHITE



Terminal No.	Color of Wire	Signal Name
1	R/B	-
2	Y	-

Connector No.	E41
Connector Name	WIRE TO WIRE
Connector Color	BLACK



Terminal No.	Color of Wire	Signal Name
1C	Y	-
10C	W	-
11C	B	-
12C	SB	-
26C	G	-
27C	W	-
28C	R	-
29C	B	-

ABBIA0137GB

A  
EC  
C  
D  
E  
F  
G  
H  
I  
J  
K  
L  
M  
N  
O  
P

Connector No.	E50
Connector Name	REFRIGERANT PRESSURE SENSOR (WITH VK56DE)
Connector Color	BLACK



Terminal No.	Color of Wire	Signal Name
1	P	POWER_SUPPLY
2	BR	SIGNAL
3	B	GND

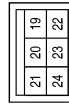
Connector No.	E119
Connector Name	IPDM E/R (INTELLIGENT POWER DISTRIBUTION MODULE ENGINE ROOM)
Connector Color	WHITE



Terminal No.	Color of Wire	Signal Name
3	G	IGN_COIL

Terminal No.	Color of Wire	Signal Name
4	P	ENG_SUPPLY
6	V	ELEC_THROTTLE
7	BR	ECM_RLY_CONT
8	W/R	O2_SENS
11	Y	A/C_COMPRESSOR
13	R	FUEL_PUMP
17	W/G	INJECTION

Connector No.	E120
Connector Name	IPDM E/R (INTELLIGENT POWER DISTRIBUTION MODULE ENGINE ROOM)
Connector Color	WHITE



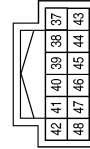
Terminal No.	Color of Wire	Signal Name
20	BR	M/FAN_1
24	P	M/FAN_2

Connector No.	E121
Connector Name	IPDM E/R (INTELLIGENT POWER DISTRIBUTION MODULE ENGINE ROOM)
Connector Color	BROWN



Terminal No.	Color of Wire	Signal Name
30	R/B	ECM_BAT

Connector No.	E122
Connector Name	IPDM E/R (INTELLIGENT POWER DISTRIBUTION MODULE ENGINE ROOM)
Connector Color	WHITE



Terminal No.	Color of Wire	Signal Name
38	B	GND (SIGNAL)
39	L	CAN-H
40	P	CAN-L
46	V	ECM(FUEL_PUMP_RLY_CONT)
47	O	ECM(ETC_RLY_CONT)



Connector No.	E124
Connector Name	IPDM E/R (INTELLIGENT POWER DISTRIBUTION MODULE ENGINE ROOM)
Connector Color	BLACK



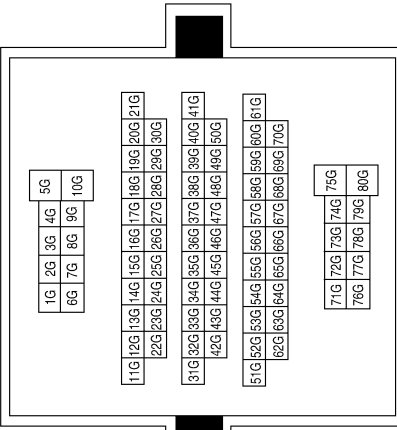
Terminal No.	Color of Wire	Signal Name
59	B	GND (POWER)

Connector No.	E139
Connector Name	COOLING FAN MOTOR (WITH VK56DE)
Connector Color	BLACK



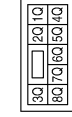
Terminal No.	Color of Wire	Signal Name
1	BR	-
2	P	-
3	B	-
4	B	-

Connector No.	E152
Connector Name	WIRE TO WIRE
Connector Color	WHITE



Terminal No.	Color of Wire	Signal Name
41G	W/R	-
42G	B	-
43G	SB	-
48G	W	-
51G	P	-
52G	L	-
56G	G	-

Connector No.	E160
Connector Name	FUSE BLOCK (J/B)
Connector Color	WHITE



Terminal No.	Color of Wire	Signal Name
1Q	W/G	-
8Q	R/B	-

ABBIA0139GB

A  
EC  
C  
D  
E  
F  
G  
H  
I  
J  
K  
L  
M  
N  
O  
P

Connector No.	E161
Connector Name	BATTERY CURRENT SENSOR
Connector Color	BLACK



Terminal No.	Color of Wire	Signal Name
1	P	POWER_SUPPLY
2	B	GND
3	R	SIGNAL

Connector No.	F6
Connector Name	IGNITION COIL NO. 2 (WITH POWER TRANSISTOR)
Connector Color	GRAY



Terminal No.	Color of Wire	Signal Name
1	G	-
2	B	-
3	LG	-

Connector No.	F7
Connector Name	IGNITION COIL NO. 4 (WITH POWER TRANSISTOR)
Connector Color	GRAY



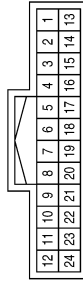
Terminal No.	Color of Wire	Signal Name
1	GR	-
2	B	-
3	W	-

Connector No.	F8
Connector Name	IGNITION COIL NO. 6 (WITH POWER TRANSISTOR)
Connector Color	GRAY



Terminal No.	Color of Wire	Signal Name
1	P	-
2	B	-
3	LG	-

Connector No.	F14
Connector Name	WIRE TO WIRE
Connector Color	WHITE



Terminal No.	Color of Wire	Signal Name
2	L	-
3	P	-

Terminal No.	Color of Wire	Signal Name
7	R	-
8	B	-
15	BR	-
16	B	-
17	P	-
18	W	-
19	B	-
20	SB	-
23	GR	-
24	B	-

Connector No.	F21
Connector Name	CONDENSER-1
Connector Color	WHITE



Terminal No.	Color of Wire	Signal Name
1	W	-
2	B	-

Connector No.	F20
Connector Name	FUEL INJECTOR NO. 4
Connector Color	GRAY



Terminal No.	Color of Wire	Signal Name
1	W/G	-
2	R	-

Connector No.	F18
Connector Name	FUEL INJECTOR NO. 2
Connector Color	GRAY



Terminal No.	Color of Wire	Signal Name
1	W/G	-
2	O	-

Connector No.	F27
Connector Name	HEATED OXYGEN SENSOR 2 (BANK 1) (WITH VK56DE)
Connector Color	GREEN



Terminal No.	Color of Wire	Signal Name
1	G	SIGNAL
2	R	HEATED_GND
3	W/R	POWER_SUPPLY
4	GR	GND O2

Connector No.	F25
Connector Name	CAMSHAFT POSITION SENSOR (PHASE) (WITH VK56DE)
Connector Color	BLACK



Terminal No.	Color of Wire	Signal Name
1	BR	GND
2	SB	SIGNAL
3	R	POWER_SUPPLY

Connector No.	F22
Connector Name	FUEL INJECTOR NO. 6
Connector Color	GRAY



Terminal No.	Color of Wire	Signal Name
1	W/G	-
2	V	-

ABBA0141GB

Connector No.	F30
Connector Name	FUEL INJECTOR NO. 1 (WITH VK56DE)
Connector Color	GRAY



Terminal No.	Color of Wire	Signal Name
1	W/G	-
2	G	-

Connector No.	F29
Connector Name	CRANKSHAFT POSITION SENSOR (POS) (WITH VK56DE)
Connector Color	BLACK



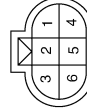
Terminal No.	Color of Wire	Signal Name
1	BR	GND
2	G	SIGNAL
3	R	POWER_SUPPLY

Connector No.	F28
Connector Name	HEATED OXYGEN SENSOR 2 (BANK 2)(WITH VK56DE)
Connector Color	GREEN



Terminal No.	Color of Wire	Signal Name
1	SB	SIGNAL
2	P	HEATED_GND
3	W/R	POWER_SUPPLY
4	GR	GND O2

Connector No.	F38
Connector Name	WIRE TO WIRE
Connector Color	BLACK



Terminal No.	Color of Wire	Signal Name
1	W	-
2	GR	-
3	Y	-
4	B	-
5	W	-
6	B	-

Connector No.	F32
Connector Name	WIRE TO WIRE
Connector Color	WHITE



Terminal No.	Color of Wire	Signal Name
1	W/R	-
2	L	-
3	P	-
9	V	-
10	O	-
11	GR	-
12	BR	-
13	LG	-
16	W/G	-

Connector No.	F31
Connector Name	FUEL INJECTOR NO. 8 (WITH VK56DE)
Connector Color	GRAY



Terminal No.	Color of Wire	Signal Name
1	W/G	-
2	W	-

Connector No.	F43
Connector Name	IGNITION COIL NO. 7 (WITH POWER TRANSISTOR) (WITH VK56DE)
Connector Color	GRAY



Terminal No.	Color of Wire	Signal Name
1	LG	-
2	B	-
3	W	-

Connector No.	F42
Connector Name	FUEL INJECTOR NO. 5 (WITH VK56DE)
Connector Color	GRAY



Terminal No.	Color of Wire	Signal Name
1	W/G	-
2	L	-

Connector No.	F41
Connector Name	FUEL INJECTOR NO. 3 (WITH VK56DE)
Connector Color	GRAY



Terminal No.	Color of Wire	Signal Name
1	W/G	-
2	V	-

Connector No.	F48
Connector Name	IGNITION COIL NO. 3 (WITH POWER TRANSISTOR) (WITH VK56DE)
Connector Color	GRAY



Terminal No.	Color of Wire	Signal Name
1	L	-
2	B	-
3	W	-

Connector No.	F47
Connector Name	IGNITION COIL NO. 1 (WITH POWER TRANSISTOR) ( WITH VK56DE)
Connector Color	GRAY



Terminal No.	Color of Wire	Signal Name
1	Y	-
2	B	-
3	O	-

Connector No.	F45
Connector Name	FUEL INJECTOR NO. 7 (WITH VK56DE)
Connector Color	GRAY



Terminal No.	Color of Wire	Signal Name
1	W/G	-
2	L	-

ABBIA0143GB

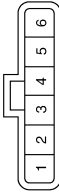
A  
EC  
C  
D  
E  
F  
G  
H  
I  
J  
K  
L  
M  
N  
O  
P

Connector No.	F52
Connector Name	IGNITION COIL NO. 8 (WITH POWER TRANSISTOR) (WITH VK56DE)
Connector Color	GRAY



Terminal No.	Color of Wire	Signal Name
1	GR	-
2	B	-
3	G	-

Connector No.	F50
Connector Name	ELECTRIC THROTTLE CONTROL ACTUATOR
Connector Color	BLACK



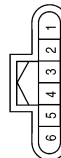
Terminal No.	Color of Wire	Signal Name
1	W	TPS1
2	L	AVCC2
3	R	TPS2
4	B	GND-A2
5	L/W	MOTOR 2 (CLOSE)
6	L/B	MOTOR 1 (OPEN)

Connector No.	F49
Connector Name	IGNITION COIL NO. 5 (WITH POWER TRANSISTOR) (WITH VK56DE)
Connector Color	GRAY



Terminal No.	Color of Wire	Signal Name
1	V	-
2	B	-
3	W	-

Connector No.	F53
Connector Name	MASS AIR FLOW SENSOR
Connector Color	BLACK



Terminal No.	Color of Wire	Signal Name
2	LG	POWER_SUPPLY
3	B	QA-
4	P	QA+
5	BR	AT_SEN_SIGNAL
6	B	GND

Connector No.	F62
Connector Name	INTAKE VALVE TIMING CONTROL POSITION SENSOR (BANK 1) (WITH VK56DE)
Connector Color	BLACK



Terminal No.	Color of Wire	Signal Name
1	BR	GND
2	Y	SIGNAL
3	R	POWER_SUPPLY

Connector No.	F61
Connector Name	INTAKE VALVE TIMING CONTROL SOLENOID VALVE (BANK 1) (WITH VK56DE)
Connector Color	GREEN



Terminal No.	Color of Wire	Signal Name
1	W	-
2	R	-

Connector No.	F69
Connector Name	AIR FUEL RATIO (A/F) SENSOR 1 (BANK 1) (WITH VK56DE)
Connector Color	GRAY



Terminal No.	Color of Wire	Signal Name
1	O	AF+
2	W	AF-
3	G	HEATER_GND
4	W/R	HEATER_PWR

Connector No.	F64
Connector Name	INTAKE VALVE TIMING CONTROL POSITION SENSOR (BANK 2) (WITH VK56DE)
Connector Color	BLACK



Terminal No.	Color of Wire	Signal Name
1	BR	GND
2	L	SIGNAL
3	R	POWER_SUPPLY

Connector No.	F63
Connector Name	AIR FUEL RATIO (A/F) SENSOR 1 (BANK 2) (WITH VK56DE)
Connector Color	GRAY



Terminal No.	Color of Wire	Signal Name
1	L	AF+
2	P	AF-
3	G	HEATER_GND
4	W/R	HEATER_PWR

Connector No.	F76
Connector Name	EVAP CANISTER PURGE VOLUME CONTROL SOLENOID VALVE (WITH VK56DE)
Connector Color	BLUE



Terminal No.	Color of Wire	Signal Name
1	GR	-
2	R	-

Connector No.	F75
Connector Name	INTAKE VALVE TIMING CONTROL SOLENOID VALVE (BANK 2) (WITH VK56DE)
Connector Color	GREEN



Terminal No.	Color of Wire	Signal Name
1	LG	-
2	R	-

Connector No.	F70
Connector Name	A/T ASSEMBLY (WITH VK56DE)
Connector Color	GREEN



Terminal No.	Color of Wire	Signal Name
3	L	-
8	P	-

ABBIA0145GB

A  
EC  
C  
D  
E  
F  
G  
H  
I  
J  
K  
L  
M  
N  
O  
P

Connector No.	F78
Connector Name	POWER STEERING PRESSURE SENSOR (WITH VK56DE)
Connector Color	BLACK

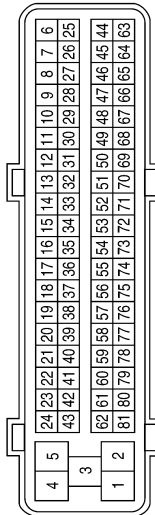


Terminal No.	Color of Wire	Signal Name
1	G	POWER_SUPPLY
2	P	SIGNAL
3	B	GND

ABBIA0146GB



Connector No.	F79
Connector Name	ECM (WITH VK56DE)
Connector Color	BLACK



Terminal No.	Color of Wire	Signal Name
1	BR	GND
2	G	AF-H1
3	V	VMOT
4	LW	MOTOR 2
5	LB	MOTOR 1
6	R	02HRL
7	-	-
8	-	-
9	-	-
10	W	CVTCL
11	LG	CVTCR
12	P	PSPRES
13	G	POS
14	SB	PHEASE(LH)
15	W	KNK 1
16	L	AF+2
17	-	-
18	-	-
19	-	-
20	-	-

Terminal No.	Color of Wire	Signal Name
21	L	INJ #5
22	V	INJ #3
23	G	INJ #1
24	G	AF-H2
25	P	02HRR
26	-	-
27	-	-
28	-	-
29	-	-
30	-	-
31	-	-
32	W	FTRPS
33	-	-
34	BR	TA
35	O	AF+1
36	W	KNK 2
37	-	-
38	-	-
39	-	-
40	V	INJ #6
41	R	INJ #4
42	O	INJ #2
43	G	AF-H2
44	L	INJ #7
45	R	EVAP
46	LG	IGN #7
47	L	AVCC 2
48	SB	AVCC
49	P	AVCC(PDPRES)
50	W	TPS 1
51	P	QA+
52	-	-
53	L	VTCPUSR
54	-	-

Terminal No.	Color of Wire	Signal Name
55	G	O2SRL
56	W	AF-1
57	-	-
58	-	-
59	-	-
60	V	IGN #5
61	L	IGN #3
62	Y	IGN #1
63	W	INJ #8
64	-	-
65	GR	IGN #8
66	B	GND-A2
67	B	GND-A
68	G	AVCC(PSPRESS)
69	R	TPS 2
70	BR	PDPRESS
71	R	CURSEN
72	Y	VTCPUSL
73	Y	TW
74	SB	O2SRR
75	P	AF-2
76	-	-
77	-	-
78	GR	GND-O2
79	P	IGN #6
80	GR	IGN #4
81	G	IGN #2

ABBA0147GB

A  
EC  
C  
D  
E  
F  
G  
H  
I  
J  
K  
L  
M  
N  
O  
P

Connector No.	F252
Connector Name	KNOCK SENSOR (BANK 2)
Connector Color	BLACK



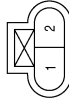
Terminal No.	Color of Wire	Signal Name
1	W	KNK
2	B	GND

Connector No.	F251
Connector Name	KNOCK SENSOR (BANK 1)
Connector Color	BLACK



Terminal No.	Color of Wire	Signal Name
1	W	KNK
2	GR	GND

Connector No.	F213
Connector Name	ENGINE COOLANT TEMPERATURE SENSOR (WITH VK56DE)
Connector Color	GRAY



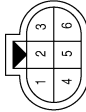
Terminal No.	Color of Wire	Signal Name
1	Y	-
2	B	-

Connector No.	F502
Connector Name	TCM (TRANSMISSION CONTROL MODULE)
Connector Color	GRAY



Terminal No.	Color of Wire	Signal Name
1	BR	CAN-H
2	L/Y	CAN-L

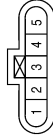
Connector No.	F275
Connector Name	WIRE TO WIRE
Connector Color	BLACK



Terminal No.	Color of Wire	Signal Name
1	W	-
2	GR	-
3	Y	-
4	B	-
5	W	-
6	B	-

ABBIA0148GB

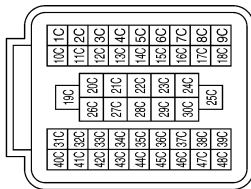
Connector No.	C5
Connector Name	FUEL LEVEL SENSOR UNIT AND FUEL PUMP
Connector Color	GRAY



Terminal No.	Color of Wire	Signal Name
1	R	-
3	B	-
4	Y	-

Terminal No.	Color of Wire	Signal Name
1C	Y	-
10C	W	-
11C	B	-
12C	SB	-
26C	G	-
27C	W	-
28C	R	-
29C	B	-

Connector No.	C1
Connector Name	WIRE TO WIRE
Connector Color	BLACK



Connector No.	C7
Connector Name	EVAP CONTROL SYSTEM PRESSURE SENSOR
Connector Color	GRAY



Terminal No.	Color of Wire	Signal Name
1	B	-
2	W	-
3	SB	-

Connector No.	C6
Connector Name	EVAP CANISTER VENT CONTROL VALVE
Connector Color	BLACK



Terminal No.	Color of Wire	Signal Name
1	W	-
2	G	-

Fail-Safe Chart

When the DTC listed below is detected, the ECM enters fail-safe mode and the MIL illuminates.

ABBA0155GB

INFOID:000000003936871

A  
EC  
C  
D  
E  
F  
G  
H  
I  
J  
K  
L  
M  
N  
O  
P

## &lt; ECU DIAGNOSIS &gt;

DTC No.	Detected items	Engine operating condition in fail-safe mode	
P0102 P0103	Mass air flow sensor circuit	Engine speed will not rise more than 2,400 rpm due to the fuel cut.	
P0117 P0118	Engine coolant temperature sensor circuit	Engine coolant temperature will be determined by ECM based on the following condition. CONSULT-III displays the engine coolant temperature decided by ECM.	
		Condition	Engine coolant temperature decided (CONSULT-III display)
		Just as ignition switch is turned ON or START	40°C (104°F)
		Approx. 4 minutes or more after engine starting.	80°C (176°F)
		Except as shown above	40 - 80°C (104 - 176°F) (Depends on the time)
		When the fail-safe system for engine coolant temperature sensor is activated, the cooling fan operates while engine is running.	
P0122 P0123 P0222 P0223 P2135	Throttle position sensor	The ECM controls the electric throttle control actuator in regulating the throttle opening in order for the idle position to be within +10 degrees. The ECM regulates the opening speed of the throttle valve to be slower than the normal condition. So, the acceleration will be poor.	
P0643	Sensor power supply	ECM stops the electric throttle control actuator control, throttle valve is maintained at a fixed opening (approx. 5 degrees) by the return spring.	
P2100 P2103	Throttle control motor relay	ECM stops the electric throttle control actuator control, throttle valve is maintained at a fixed opening (approx. 5 degrees) by the return spring.	
P2101	Electric throttle control function	ECM stops the electric throttle control actuator control, throttle valve is maintained at a fixed opening (approx. 5 degrees) by the return spring.	
P2118	Throttle control motor	ECM stops the electric throttle control actuator control, throttle valve is maintained at a fixed opening (approx. 5 degrees) by the return spring.	
P2119	Electric throttle control actuator	(When electric throttle control actuator does not function properly due to the return spring malfunction:) ECM controls the electric throttle actuator by regulating the throttle opening around the idle position. The engine speed will not rise more than 2,000 rpm.	
		(When throttle valve opening angle in fail-safe mode is not in specified range:) ECM controls the electric throttle control actuator by regulating the throttle opening to 20 degrees or less.	
		(When ECM detects the throttle valve is stuck open:) While the vehicle is being driven, it slows down gradually because of fuel cut. After the vehicle stops, the engine stalls. The engine can restart in N or P position, and engine speed will not exceed 1,000 rpm or more.	
P2122 P2123 P2127 P2128 P2138	Accelerator pedal position sensor	The ECM controls the electric throttle control actuator in regulating the throttle opening in order for the idle position to be within +10 degrees. The ECM regulates the opening speed of the throttle valve to be slower than the normal condition. So, the acceleration will be poor.	

- When there is an open circuit on MIL circuit, the ECM cannot warn the driver by illuminating MIL when there is malfunction on engine control system.  
Therefore, when electrical controlled throttle and part of ECM related diagnoses are continuously detected as NG for 5 trips, ECM warns the driver that engine control system malfunctions and MIL circuit is open by means of operating the fail-safe function.  
The fail-safe function also operates when above diagnoses except MIL circuit are detected and demands the driver to repair the malfunction.

Engine operating condition in fail-safe mode	Engine speed will not rise more than 2,500 rpm due to the fuel cut
--	--

DTC Inspection Priority Chart

If some DTCs are displayed at the same time, perform inspections one by one based on the following priority chart.

Priority	Detected items (DTC)	
1	<ul style="list-style-type: none"> <li>• U0101 U1001 CAN communication line</li> <li>• P0101 P0102 P0103 Mass air flow sensor</li> <li>• P0112 P0113 P0127 Intake air temperature sensor</li> <li>• P0116 P0117 P0118 P0125 Engine coolant temperature sensor</li> <li>• P0122 P0123 P0222 P0223 P1225 P1226 P2135 Throttle position sensor</li> <li>• P0128 Thermostat function</li> <li>• P0181 P0182 P0183 Fuel tank temperature sensor</li> <li>• P0327 P0328 P0332 P0333 Knock sensor</li> <li>• P0335 Crankshaft position sensor (POS)</li> <li>• P0340 Camshaft position sensor (PHASE)</li> <li>• P0460 P0461 P0462 P0463 Fuel level sensor</li> <li>• P0500 Vehicle speed sensor</li> <li>• P0605 P0607 ECM</li> <li>• P0643 Sensor power supply</li> <li>• P0700 TCM</li> <li>• P0705 Park/neutral position (PNP) switch</li> <li>• P0850 Park/neutral position (PNP) switch</li> <li>• P1550 P1551 P1552 P1553 P1554 Battery current sensor</li> <li>• P1610 - P1615 NATS</li> <li>• P2122 P2123 P2127 P2128 P2138 Accelerator pedal position sensor</li> </ul>	<p>A</p> <p>EC</p> <p>C</p> <p>D</p> <p>E</p> <p>F</p> <p>G</p>
2	<ul style="list-style-type: none"> <li>• P0031 P0032 P0051 P0052 A/F sensor 1 heater</li> <li>• P0037 P0038 P0057 P0058 Heated oxygen sensor 2 heater</li> <li>• P0075 P0081 Intake valve timing control solenoid valve</li> <li>• P0130 P0131 P0132 P0133 P0150 P0151 P0152 P0153 P2A00 P2A03 A/F sensor 1</li> <li>• P0137 P0138 P0139 P0157 P0158 P0159 Heated oxygen sensor 2</li> <li>• P0441 EVAP control system purge flow monitoring</li> <li>• P0443 P0444 P0445 EVAP canister purge volume control solenoid valve</li> <li>• P0447 P0448 EVAP canister vent control valve</li> <li>• P0451 P0452 P0453 EVAP control system pressure sensor</li> <li>• P0550 Power steering pressure sensor</li> <li>• P0603 ECM power supply</li> <li>• P0710 P0717 P0720 P0731 P0732 P0733 P0734 P0735 P0740 P0744 P0745 P1730 P1752 P1757 P1762 P1767 P1772 P1774 A/T related sensors, solenoid valves and switches</li> <li>• P1140 P1145 Intake valve timing control position sensor</li> <li>• P1217 Engine over temperature (OVERHEAT)</li> <li>• P1805 Brake switch</li> <li>• P2100 P2103 P2118 Electric throttle control actuator</li> <li>• P2101 Electric throttle control function</li> </ul>	<p>H</p> <p>I</p> <p>J</p> <p>K</p> <p>L</p>
3	<ul style="list-style-type: none"> <li>• P0011 P0021 Intake valve timing control</li> <li>• P0171 P0172 P0174 P0175 Fuel injection system function</li> <li>• P0300 - P0308 Misfire</li> <li>• P0420 P0430 Three way catalyst function</li> <li>• P0442 EVAP control system (SMALL LEAK)</li> <li>• P0455 EVAP control system (GROSS LEAK)</li> <li>• P0456 EVAP control system (VERY SMALL LEAK)</li> <li>• P0506 P0507 Idle speed control system</li> <li>• P1148 P1168 Closed loop control</li> <li>• P1211 TCS control unit</li> <li>• P1212 TCS communication line</li> <li>• P1421 Cold start control</li> <li>• P1564 ASCD steering switch</li> <li>• P1572 ASCD brake switch</li> <li>• P1574 ASCD vehicle speed sensor</li> <li>• P2119 Electric throttle control actuator</li> </ul>	<p>M</p> <p>N</p> <p>O</p> <p>P</p>

DTC Index

EMISSION-RELATED DIAGNOSTIC INFORMATION ITEMS

# ECM

< ECU DIAGNOSIS >

[VK56DE]

x:Applicable —: Not applicable

Items (CONSULT-III screen terms)	DTC*1		SRT code	Trip	MIL	Reference page
	CONSULT-III GST*2	ECM*3				
LOST COMM (TCM)	U0101	0101*5	—	1	×	<a href="#">EC-569</a>
CAN COMM CIRCUIT	U1001	1001*5	—	2	—	<a href="#">EC-570</a>
<b>NO DTC IS DETECTED. FURTHER TESTING MAY BE REQUIRED.</b>	<b>P0000</b>	<b>0000</b>	—	—	<b>Blinking*7</b>	<a href="#">EC-525</a>
INT/V TIM CONT-B1	P0011	0011	—	2	×	<a href="#">EC-571</a>
INT/V TIM CONT-B2	P0021	0021	—	2	×	<a href="#">EC-571</a>
A/F SEN1 HTR (B1)	P0031	0031	—	2	×	<a href="#">EC-578</a>
A/F SEN1 HTR (B1)	P0032	0032	—	2	×	<a href="#">EC-578</a>
HO2S2 HTR (B1)	P0037	0037	—	2	×	<a href="#">EC-581</a>
HO2S2 HTR (B1)	P0038	0038	—	2	×	<a href="#">EC-581</a>
A/F SEN1 HTR (B2)	P0051	0051	—	2	×	<a href="#">EC-578</a>
A/F SEN1 HTR (B2)	P0052	0052	—	2	×	<a href="#">EC-578</a>
HO2S2 HTR (B2)	P0057	0057	—	2	×	<a href="#">EC-581</a>
HO2S2 HTR (B2)	P0058	0058	—	2	×	<a href="#">EC-581</a>
INT/V TIM V/CIR-B1	P0075	0075	—	2	×	<a href="#">EC-585</a>
INT/V TIM V/CIR-B2	P0081	0081	—	2	×	<a href="#">EC-585</a>
MAF SEN/CIRCUIT-B1	P0101	0101	—	2	×	<a href="#">EC-588</a>
MAF SEN/CIRCUIT-B1	P0102	0102	—	1	×	<a href="#">EC-594</a>
MAF SEN/CIRCUIT-B1	P0103	0103	—	1	×	<a href="#">EC-594</a>
IAT SEN/CIRCUIT-B1	P0112	0112	—	2	×	<a href="#">EC-599</a>
IAT SEN/CIRCUIT-B1	P0113	0113	—	2	×	<a href="#">EC-599</a>
ECT SEN/CIRC	P0116	0116	—	2	×	<a href="#">EC-602</a>
ECT SEN/CIRC	P0117	0117	—	1	×	<a href="#">EC-605</a>
ECT SEN/CIRC	P0118	0118	—	1	×	<a href="#">EC-605</a>
TP SEN 2/CIRC-B1	P0122	0122	—	1	×	<a href="#">EC-609</a>
TP SEN 2/CIRC-B1	P0123	0123	—	1	×	<a href="#">EC-609</a>
ECT SENSOR	P0125	0125	—	2	×	<a href="#">EC-613</a>
IAT SENSOR-B1	P0127	0127	—	2	×	<a href="#">EC-616</a>
THERMSTAT FNCTN	P0128	0128	—	2	×	<a href="#">EC-619</a>
A/F SENSOR1 (B1)	P0130	0130	—	2	×	<a href="#">EC-621</a>
A/F SENSOR1 (B1)	P0131	0131	—	2	×	<a href="#">EC-625</a>
A/F SENSOR1 (B1)	P0132	0132	—	2	×	<a href="#">EC-629</a>
A/F SENSOR1 (B1)	P0133	0133	×	2	×	<a href="#">EC-633</a>
HO2S2 (B1)	P0137	0137	×	2	×	<a href="#">EC-639</a>
HO2S2 (B1)	P0138	0138	×	2	×	<a href="#">EC-644</a>
HO2S2 (B1)	P0139	0139	×	2	×	<a href="#">EC-652</a>
A/F SENSOR1 (B2)	P0150	0150	—	2	×	<a href="#">EC-621</a>
A/F SENSOR1 (B2)	P0151	0151	—	2	×	<a href="#">EC-625</a>
A/F SENSOR1 (B2)	P0152	0152	—	2	×	<a href="#">EC-629</a>
A/F SENSOR1 (B2)	P0153	0153	×	2	×	<a href="#">EC-633</a>
HO2S2 (B2)	P0157	0157	×	2	×	<a href="#">EC-639</a>

## ECM

&lt; ECU DIAGNOSIS &gt;

[VK56DE]

Items (CONSULT-III screen terms)	DTC*1		SRT code	Trip	MIL	Reference page
	CONSULT-III GST*2	ECM*3				
HO2S2 (B2)	P0158	0158	×	2	×	<a href="#">EC-644</a>
HO2S2 (B2)	P0159	0159	×	2	×	<a href="#">EC-652</a>
FUEL SYS-LEAN-B1	P0171	0171	—	2	×	<a href="#">EC-657</a>
FUEL SYS-RICH-B1	P0172	0172	—	2	×	<a href="#">EC-662</a>
FUEL SYS-LEAN-B2	P0174	0174	—	2	×	<a href="#">EC-657</a>
FUEL SYS-RICH-B2	P0175	0175	—	2	×	<a href="#">EC-662</a>
FTT SENSOR	P0181	0181	—	2	×	<a href="#">EC-667</a>
FTT SEN/CIRCUIT	P0182	0182	—	2	×	<a href="#">EC-670</a>
FTT SEN/CIRCUIT	P0183	0183	—	2	×	<a href="#">EC-670</a>
TP SEN 1/CIRC-B1	P0222	0222	—	1	×	<a href="#">EC-673</a>
TP SEN 1/CIRC-B1	P0223	0223	—	1	×	<a href="#">EC-673</a>
MULTI CYL MISFIRE	P0300	0300	—	1 or 2	×	<a href="#">EC-677</a>
CYL 1 MISFIRE	P0301	0301	—	1 or 2	×	<a href="#">EC-677</a>
CYL 2 MISFIRE	P0302	0302	—	1 or 2	×	<a href="#">EC-677</a>
CYL 3 MISFIRE	P0303	0303	—	1 or 2	×	<a href="#">EC-677</a>
CYL 4 MISFIRE	P0304	0304	—	1 or 2	×	<a href="#">EC-677</a>
CYL 5 MISFIRE	P0305	0305	—	1 or 2	×	<a href="#">EC-677</a>
CYL 6 MISFIRE	P0306	0306	—	1 or 2	×	<a href="#">EC-677</a>
CYL 7 MISFIRE	P0307	0307	—	1 or 2	×	<a href="#">EC-677</a>
CYL 8 MISFIRE	P0308	0308	—	1 or 2	×	<a href="#">EC-677</a>
KNOCK SEN/CIRC-B1	P0327	0327	—	2	—	<a href="#">EC-684</a>
KNOCK SEN/CIRC-B1	P0328	0328	—	2	—	<a href="#">EC-684</a>
KNOCK SEN/CIRC-B2	P0332	0332	—	2	—	<a href="#">EC-684</a>
KNOCK SEN/CIRC-B2	P0333	0333	—	2	—	<a href="#">EC-684</a>
CKP SEN/CIRCUIT	P0335	0335	—	2	×	<a href="#">EC-687</a>
CMP SEN/CIRC-B1	P0340	0340	—	2	×	<a href="#">EC-691</a>
TW CATALYST SYS-B1	P0420	0420	×	2	×	<a href="#">EC-695</a>
TW CATALYST SYS-B2	P0430	0430	×	2	×	<a href="#">EC-695</a>
EVAP PURG FLOW/MON	P0441	0441	×	2	×	<a href="#">EC-699</a>
EVAP SMALL LEAK	P0442	0442	×	2	×	<a href="#">EC-704</a>
PURG VOLUME CONT/V	P0443	0443	—	2	×	<a href="#">EC-711</a>
PURG VOLUME CONT/V	P0444	0444	—	2	×	<a href="#">EC-716</a>
PURG VOLUME CONT/V	P0445	0445	—	2	×	<a href="#">EC-716</a>
VENT CONTROL VALVE	P0447	0447	—	2	×	<a href="#">EC-719</a>
VENT CONTROL VALVE	P0448	0448	—	2	×	<a href="#">EC-723</a>
EVAP SYS PRES SEN	P0451	0451	—	2	×	<a href="#">EC-728</a>
EVAP SYS PRES SEN	P0452	0452	—	2	×	<a href="#">EC-731</a>
EVAP SYS PRES SEN	P0453	0453	—	2	×	<a href="#">EC-735</a>
EVAP GROSS LEAK	P0455	0455	—	2	×	<a href="#">EC-740</a>
EVAP VERY SML LEAK	P0456	0456	×*4	2	×	<a href="#">EC-747</a>
FUEL LEV SEN SLOSH	P0460	0460	—	2	×	<a href="#">EC-755</a>
FUEL LEVEL SENSOR	P0461	0461	—	2	×	<a href="#">EC-757</a>

## ECM

&lt; ECU DIAGNOSIS &gt;

[VK56DE]

Items (CONSULT-III screen terms)	DTC*1		SRT code	Trip	MIL	Reference page
	CONSULT-III GST*2	ECM*3				
FUEL LEVEL SEN/CIRC	P0462	0462	—	2	×	<a href="#">EC-759</a>
FUEL LEVEL SEN/CIRC	P0463	0463	—	2	×	<a href="#">EC-759</a>
VEH SPEED SEN/CIRC*6	P0500	0500	—	2	×	<a href="#">EC-761</a>
ISC SYSTEM	P0506	0506	—	2	×	<a href="#">EC-763</a>
ISC SYSTEM	P0507	0507	—	2	×	<a href="#">EC-765</a>
PW ST P SEN/CIRC	P0550	0550	—	2	—	<a href="#">EC-767</a>
ECM BACK UP/CIRC	P0603	0603	—	2	×	<a href="#">EC-770</a>
ECM	P0605	0605	—	1 or 2	× or —	<a href="#">EC-772</a>
ECM	P0607	0607	—	1	×	<a href="#">EC-774</a>
SENSOR POWER/CIRC	P0643	0643	—	1	×	<a href="#">EC-775</a>
TCM	P0700	0700	—	1	×	<a href="#">TM-50</a>
PNP SW/CIRC	P0705	0705	—	2	×	<a href="#">TM-51</a>
ATF TEMP SEN/CIRC*9	P0710	0710	—	2	×	<a href="#">TM-78</a>
TURBINE SENSOR	P0717	0717	—	2	×	<a href="#">TM-53</a>
VHCL SPD SEN/CIR AT*6	P0720	0720	—	2	×	<a href="#">TM-55</a>
A/T 1ST GR FNCTN*9	P0731	0731	—	2	×	<a href="#">TM-60</a>
A/T 2ST GR FNCTN*9	P0732	0732	—	2	×	<a href="#">TM-62</a>
A/T 3ST GR FNCTN*9	P0733	0733	—	2	×	<a href="#">TM-64</a>
A/T 4ST GR FNCTN*9	P0734	0734	—	2	×	<a href="#">TM-66</a>
A/T 5ST GR FNCTN*9	P0735	0735	—	2	×	<a href="#">TM-68</a>
TCC SOLENOID/CIRC	P0740	0740	—	2	×	<a href="#">TM-70</a>
A/T TCC S/U FNCTN	P0744	0744	—	2	×	<a href="#">TM-72</a>
L/PRESS SOL/CIRC	P0745	0745	—	2	×	<a href="#">TM-74</a>
P-N POS SW/CIRCUIT	P0850	0850	—	2	×	<a href="#">EC-778</a>
INTK TIM S/CIRC-B1	P1140	1140	—	2	×	<a href="#">EC-780</a>
INTK TIM S/CIRC-B2	P1145	1145	—	2	×	<a href="#">EC-780</a>
CLOSED LOOP-B1	P1148	1148	—	1	×	<a href="#">EC-784</a>
CLOSED LOOP-B2	P1168	1168	—	1	×	<a href="#">EC-784</a>
TCS C/U FUNCTN	P1211	1211	—	2	—	<a href="#">EC-785</a>
TCS/CIRC	P1212	1212	—	2	—	<a href="#">EC-786</a>
ENG OVER TEMP	P1217	1217	—	1	×	<a href="#">EC-787</a>
CTP LEARNING-B1	P1225	1225	—	2	—	<a href="#">EC-790</a>
CTP LEARNING-B1	P1226	1226	—	2	—	<a href="#">EC-792</a>
COLD START CONTROL	P1421	1421	—	2	×	<a href="#">EC-794</a>
BAT CURRENT SENSOR	P1550	1550	—	2	—	<a href="#">EC-796</a>
BAT CURRENT SENSOR	P1551	1551	—	2	—	<a href="#">EC-800</a>
BAT CURRENT SENSOR	P1552	1552	—	2	—	<a href="#">EC-800</a>
BAT CURRENT SENSOR	P1553	1553	—	2	—	<a href="#">EC-804</a>
BAT CURRENT SENSOR	P1554	1554	—	2	—	<a href="#">EC-808</a>
ASCD SW	P1564	1564	—	1	—	<a href="#">EC-812</a>
ASCD BRAKE SW	P1572	1572	—	1	—	<a href="#">EC-816</a>



# ECM

< ECU DIAGNOSIS >

[VK56DE]

Items (CONSULT-III screen terms)	DTC*1		SRT code	Trip	MIL	Reference page
	CONSULT-III GST*2	ECM*3				
ASCD VHL SPD SEN*8	P1574	1574	—	1	—	<a href="#">EC-821</a>
LOCK MODE	P1610	1610	—	2	—	<a href="#">SEC-40</a> or <a href="#">SEC-143</a>
ID DISCORD, IMMU-ECM	P1611	1611	—	2	—	<a href="#">SEC-34</a> or <a href="#">SEC-140</a>
CHAIN OF ECM-IMMU	P1612	1612	—	2	—	<a href="#">SEC-36</a> or <a href="#">SEC-142</a>
CHAIN OF IMMU-KEY	P1614	1614	—	2	—	<a href="#">SEC-30</a> or <a href="#">SEC-136</a>
DIFFERENCE OF KEY	P1615	1615	—	2	—	<a href="#">SEC-33</a> or <a href="#">SEC-139</a>
A/T INTERLOCK	P1730	1730	—	1	×	<a href="#">TM-82</a>
I/C SOLENOID/CIRC	P1752	1752	—	1	×	<a href="#">TM-86</a>
FR/B SOLENOID/CIRC	P1757	1757	—	1	×	<a href="#">TM-88</a>
D/C SOLENOID/CIRC	P1762	1762	—	1	×	<a href="#">TM-90</a>
HLR/C SOL/CIRC	P1767	1767	—	1	×	<a href="#">TM-92</a>
LC/B SOLENOID/CIRC	P1772	1772	—	1	×	<a href="#">TM-94</a>
LC/B SOLENOID FNCT	P1774	1774	—	1	×	<a href="#">TM-96</a>
BRAKE SW/CIRCUIT	P1805	1805	—	2	—	<a href="#">EC-823</a>
ETC MOT PWR-B1	P2100	2100	—	1	×	<a href="#">EC-826</a>
ETC FNCTN/CIRC-B1	P2101	2101	—	1	×	<a href="#">EC-829</a>
ETC MOT PWR	P2103	2103	—	1	×	<a href="#">EC-826</a>
ETC MOT-B1	P2118	2118	—	1	×	<a href="#">EC-833</a>
ETC ACTR-B1	P2119	2119	—	1	×	<a href="#">EC-835</a>
APP SEN 1/CIRC	P2122	2122	—	1	×	<a href="#">EC-837</a>
APP SEN 1/CIRC	P2123	2123	—	1	×	<a href="#">EC-837</a>
APP SEN 2/CIRC	P2127	2127	—	1	×	<a href="#">EC-840</a>
APP SEN 2/CIRC	P2128	2128	—	1	×	<a href="#">EC-840</a>
TP SENSOR-B1	P2135	2135	—	1	×	<a href="#">EC-844</a>
APP SENSOR	P2138	2138	—	1	×	<a href="#">EC-848</a>
A/F SENSOR1 (B1)	P2A00	2A00	—	2	×	<a href="#">EC-852</a>
A/F SENSOR1 (B2)	P2A03	2A03	—	2	×	<a href="#">EC-852</a>

\*1: 1st trip DTC No. is the same as DTC No.

\*2: This number is prescribed by SAE J2012.

\*3: In Diagnostic Test Mode II (Self-diagnostic results), this number is controlled by NISSAN.

\*4: SRT code will not be set if the self-diagnostic result is NG.

\*5: The troubleshooting for this DTC needs CONSULT-III.

\*6: When the fail-safe operations for both self-diagnoses occur, the MIL illuminates.

\*7: When the ECM is in the mode that displays SRT status, MIL may blink. For the details, refer to "How to Display SRT Status".

\*8: 2WD models

\*9: When erasing this DTC, always use CONSULT-III or GST.

## Emission-related Diagnostic Information

INFOID:000000004333327

### DTC AND 1ST TRIP DTC

## &lt; ECU DIAGNOSIS &gt;

The 1st trip DTC (whose number is the same as the DTC number) is displayed for the latest self-diagnostic result obtained. If the ECM memory was cleared previously, and the 1st trip DTC did not recur, the 1st trip DTC will not be displayed.

If a malfunction is detected during the 1st trip, the 1st trip DTC is saved in the ECM memory. The MIL will not illuminate (two trip detection logic). If the same malfunction is not detected in the 2nd trip (meeting the required driving pattern), the 1st trip DTC is cleared from the ECM memory. If the same malfunction is detected in the 2nd trip, both the 1st trip DTC and DTC are stored in the ECM memory and the MIL illuminates. In other words, the DTC is stored in the ECM memory and the MIL illuminates when the same malfunction occurs in two consecutive trips. If a 1st trip DTC is saved and a non-diagnostic operation is performed between the 1st and 2nd trips, only the 1st trip DTC will continue to be stored. For malfunctions that blink or illuminate the MIL during the 1st trip, the DTC and 1st trip DTC are stored in the ECM memory.

Procedures for clearing the DTC and the 1st trip DTC from the ECM memory are described in "HOW TO ERASE EMISSION-RELATED DIAGNOSTIC INFORMATION".

For malfunctions in which 1st trip DTCs are displayed, refer to [EC-921, "DTC Index"](#). These items are required by legal regulations to continuously monitor the system/component. In addition, the items monitored non-continuously are also displayed on CONSULT-III.

1st trip DTC is specified in Service \$07 of SAE J1979. 1st trip DTC detection occurs without illuminating the MIL and therefore does not warn the driver of a malfunction. However, 1st trip DTC detection will not prevent the vehicle from being tested, for example during Inspection/Maintenance (I/M) tests.

When a 1st trip DTC is detected, check, print out or write down and erase (1st trip) DTC and Freeze Frame data as specified in Work Flow procedure Step 2, refer to [EC-490, "Trouble Diagnosis Introduction"](#). Then perform DTC Confirmation Procedure or Overall Function Check to try to duplicate the malfunction. If the malfunction is duplicated, the item requires repair.

## How to Read DTC and 1st Trip DTC

DTC and 1st trip DTC can be read by the following methods.

 **With CONSULT-III**

CONSULT-III displays the DTC in "SELF DIAGNOSTIC RESULT" mode.

Examples: P0340, P0850, P1148, etc.

These DTCs are prescribed by SAE J2012.

(CONSULT-III also displays the malfunctioning component or system.)

Time data indicates how many times the vehicle was driven after the last detection of a DTC.

If the DTC is being detected currently, the time data will be [0].

If a 1st trip DTC is stored in the ECM, the time data will be [1t].

 **With GST**

GST (Generic Scan Tool) displays the DTC in Diagnostic Service \$03.

Examples: P0340, P0850, P1148, etc.

These DTCs are prescribed by SAE J2012.

1st trip DTC is displayed in Diagnostic Service \$07.

 **No Tools**

The number of blinks of the MIL in the Diagnostic Test Mode II (Self-Diagnostic Results) indicates the DTC.

Example: 0340, 0850, 1148, etc.

These DTCs are controlled by NISSAN.

- **1st trip DTC No. is the same as DTC No.**
- **Output of a DTC indicates a malfunction. However, GST or the Diagnostic Test Mode II does not indicate whether the malfunction is still occurring or has occurred in the past and has returned to normal. CONSULT-III can identify malfunction status. Therefore, using CONSULT-III (if available) is recommended.**

## FREEZE FRAME DATA AND 1ST TRIP FREEZE FRAME DATA

The ECM records the driving conditions such as fuel system status, calculated load value, engine coolant temperature, short-term fuel trim, long-term fuel trim, engine speed, vehicle speed, absolute throttle position, base fuel schedule and intake air temperature at the moment a malfunction is detected.

Data which are stored in the ECM memory, along with the 1st trip DTC, are called 1st trip freeze frame data. The data, stored together with the DTC, are called freeze frame data and displayed on CONSULT-III or GST. The 1st trip freeze frame data can only be displayed on the CONSULT-III screen, not on the GST.

Only one set of freeze frame data (either 1st trip freeze frame data or freeze frame data) can be stored in the ECM. There is no priority for 1st trip freeze frame data and it is updated each time a different 1st trip DTC is detected. However, once freeze frame data (2nd trip detection/MIL ON) is stored in the ECM memory, 1st trip freeze frame data is no longer stored. Remember, only one set of freeze frame data can be stored in the ECM. The ECM has the following priorities to update the data.

Priority	Items	
1	Freeze frame data	Misfire — DTC: P0300 - P0308 Fuel Injection System Function — DTC: P0171, P0172, P0174, P0175
2		Except the above items (Includes A/T related items)
3	1st trip freeze frame data	

For example, the EGR malfunction (Priority: 2) was detected and the freeze frame data was saved in the 2nd trip. After that when the misfire (Priority: 1) is detected in another trip, the freeze frame data will be updated from the EGR malfunction to the misfire. The 1st trip freeze frame data is updated each time a different malfunction is detected. There is no priority for 1st trip freeze frame data. However, once freeze frame data is stored in the ECM memory, 1st trip freeze data is no longer stored (because only one freeze frame data or 1st trip freeze frame data can be stored in the ECM). If freeze frame data is stored in the ECM memory and freeze frame data with the same priority occurs later, the first (original) freeze frame data remains unchanged in the ECM memory.

Both 1st trip freeze frame data and freeze frame data (along with the DTCs) are cleared when the ECM memory is erased. Procedures for clearing the ECM memory are described in "HOW TO ERASE EMISSION-RELATED DIAGNOSTIC INFORMATION".

### SYSTEM READINESS TEST (SRT) CODE

System Readiness Test (SRT) code is specified in Service \$01 of SAE J1979.

As part of an enhanced emissions test for Inspection & Maintenance (I/M), certain states require the status of SRT be used to indicate whether the ECM has completed self-diagnosis of major emission systems and components. Completion must be verified in order for the emissions inspection to proceed.

If a vehicle is rejected for a State emissions inspection due to one or more SRT items indicating "INCMP", use the information in this Service Manual to set the SRT to "CMPLT".

In most cases the ECM will automatically complete its self-diagnosis cycle during normal usage, and the SRT status will indicate "CMPLT" for each application system. Once set as "CMPLT", the SRT status remains "CMPLT" until the self-diagnosis memory is erased.

Occasionally, certain portions of the self-diagnostic test may not be completed as a result of the customer's normal driving pattern; the SRT will indicate "INCMP" for these items.

#### NOTE:

The SRT will also indicate "INCMP" if the self-diagnosis memory is erased for any reason or if the ECM memory power supply is interrupted for several hours.

If, during the state emissions inspection, the SRT indicates "CMPLT" for all test items, the inspector will continue with the emissions test. However, if the SRT indicates "INCMP" for one or more of the SRT items the vehicle is returned to the customer untested.

#### NOTE:

If MIL illuminates during the state emissions inspection, the vehicle is also returned to the customer untested even though the SRT indicates "CMPLT" for all test items. Therefore, it is important to check SRT ("CMPLT") and DTC (No DTCs) before the inspection.

#### SRT Item

The table below shows required self-diagnostic items to set the SRT to "CMPLT".

SRT item (CONSULT-III indication)	Performance Priority*	Required self-diagnostic items to set the SRT to "CMPLT"	Corresponding DTC No.
CATALYST	2	Three way catalyst function	P0420, P0430
EVAP SYSTEM	2	EVAP control system purge flow monitoring	P0441
	1	EVAP control system	P0442
	2	EVAP control system	P0456
HO2S	2	Air fuel ratio (A/F) sensor 1	P0133, P0153
		Heated oxygen sensor 2	P0137, P0157
		Heated oxygen sensor 2	P0138, P0158
		Heated oxygen sensor 2	P0139, P0159

\*: If completion of several SRTs is required, perform driving patterns (DTC confirmation procedure), one by one based on the priority for models with CONSULT-III.

#### SRT Set Timing

## &lt; ECU DIAGNOSIS &gt;

SRT is set as "CMPLT" after self-diagnosis has been performed one or more times. Completion of SRT is done regardless of whether the result is OK or NG. The set timing is different between OK and NG results and is shown in the table below.

Self-diagnosis result		Example							
		Diagnosis	Ignition cycle						
	← ON →		OFF	← ON →	OFF	← ON →	OFF	← ON →	
All OK	Case 1	P0400	OK (1)	— (1)	OK (2)	— (2)			
		P0402	OK (1)	— (1)	— (1)	OK (2)			
		P1402	OK (1)	OK (2)	— (2)	— (2)			
		SRT of EGR	"CMPLT"	"CMPLT"	"CMPLT"	"CMPLT"			
	Case 2	P0400	OK (1)	— (1)	— (1)	— (1)			
		P0402	— (0)	— (0)	OK (1)	— (1)			
		P1402	OK (1)	OK (2)	— (2)	— (2)			
		SRT of EGR	"INCMP"	"INCMP"	"CMPLT"	"CMPLT"			
NG exists	Case 3	P0400	OK	OK	—	—			
		P0402	—	—	—	—			
		P1402	NG	—	NG	NG	NG (Consecutive NG)		
		(1st trip) DTC	1st trip DTC	—	1st trip DTC	DTC (= MIL ON)			
		SRT of EGR	"INCMP"	"INCMP"	"INCMP"	"CMPLT"			

OK: Self-diagnosis is carried out and the result is OK.

NG: Self-diagnosis is carried out and the result is NG.

—: Self-diagnosis is not carried out.

When all SRT related self-diagnoses show OK results in a single cycle (Ignition OFF-ON-OFF), the SRT will indicate "CMPLT". → Case 1 above

When all SRT related self-diagnoses show OK results through several different cycles, the SRT will indicate "CMPLT" at the time the respective self-diagnoses have at least one OK result. → Case 2 above

If one or more SRT related self-diagnoses show NG results in 2 consecutive cycles, the SRT will also indicate "CMPLT". → Case 3 above

The table above shows that the minimum number of cycles for setting SRT as "INCMP" is the number one (1) for each self-diagnosis (Case 1 & 2) or the number two (2) for one of self-diagnoses (Case 3). However, in preparation for the state emissions inspection, it is unnecessary for each self-diagnosis to be executed twice (Case 3) for the following reasons:

- The SRT will indicate "CMPLT" at the time the respective self-diagnoses have one (1) OK result.
- The emissions inspection requires "CMPLT" of the SRT only with OK self-diagnosis results.
- During SRT driving pattern, the 1st trip DTC (NG) is detected prior to "CMPLT" of SRT and the self-diagnosis memory must be erased from the ECM after repair.
- If the 1st trip DTC is erased, all the SRT will indicate "INCMP".

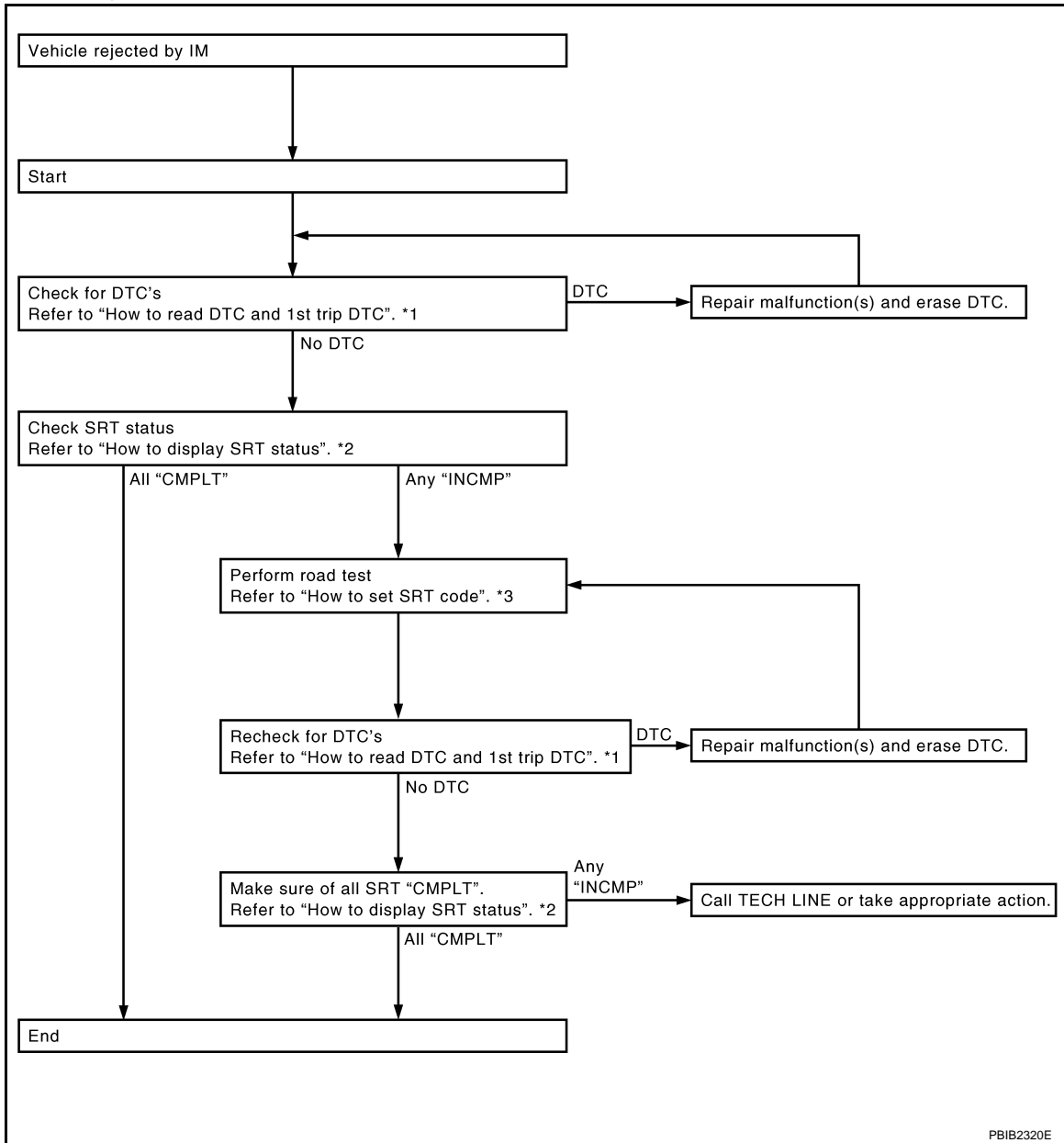
**NOTE:**

SRT can be set as "CMPLT" together with the DTC(s). Therefore, DTC check must always be carried out prior to the state emission inspection even though the SRT indicates "CMPLT".

SRT Service Procedure

## &lt; ECU DIAGNOSIS &gt;

If a vehicle has failed the state emissions inspection due to one or more SRT items indicating "INCMP", review the flowchart diagnostic sequence below.



## How to Display SRT Status

**WITH CONSULT-III**

Selecting "SRT STATUS" in "DTC CONFIRMATION" mode with CONSULT-III.

For items whose SRT codes are set, "CMPLT" is displayed on the CONSULT-III screen; for items whose SRT codes are not set, "INCMP" is displayed.

**NOTE:**

Though displayed on the CONSULT-III screen, "HO2S HTR" is not SRT item.

**WITH GST**

Selecting Service \$01 with GST (Generic Scan Tool)

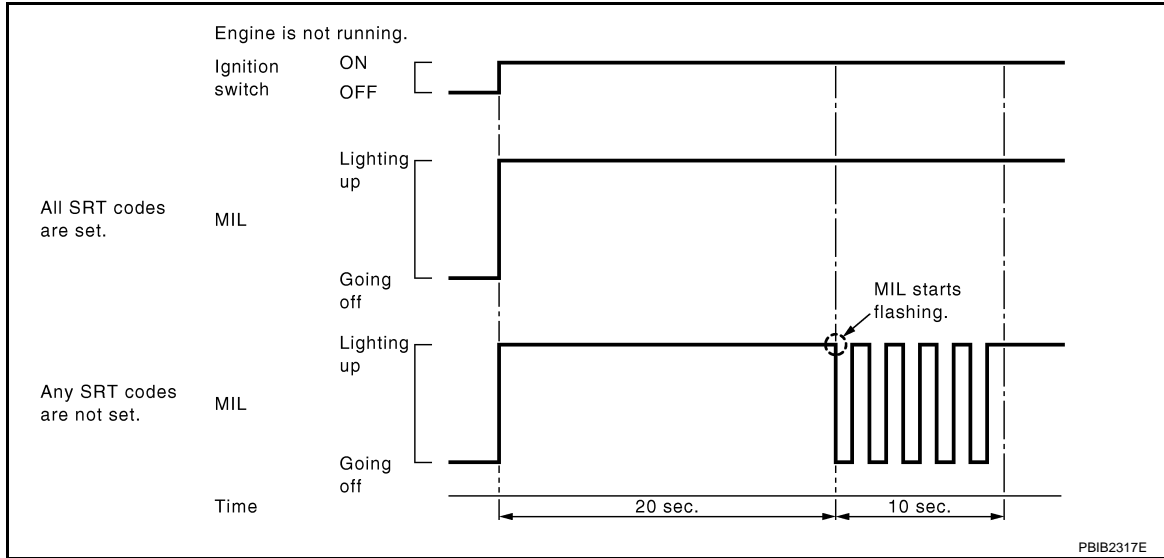
**NO TOOLS**

A SRT code itself cannot be displayed, however only SRT status can.

1. Turn ignition switch ON and wait 20 seconds.
2. SRT status is indicated as shown below.
  - When all SRT codes are set, MIL illuminates continuously.

## &lt; ECU DIAGNOSIS &gt;

- When any SRT codes are not set, MIL will blink periodically for 10 seconds.



## How to Set SRT Code

To set all SRT codes, self-diagnosis for the items indicated above must be performed one or more times. Each diagnosis may require a long period of actual driving under various conditions.

 **WITH CONSULT-III**

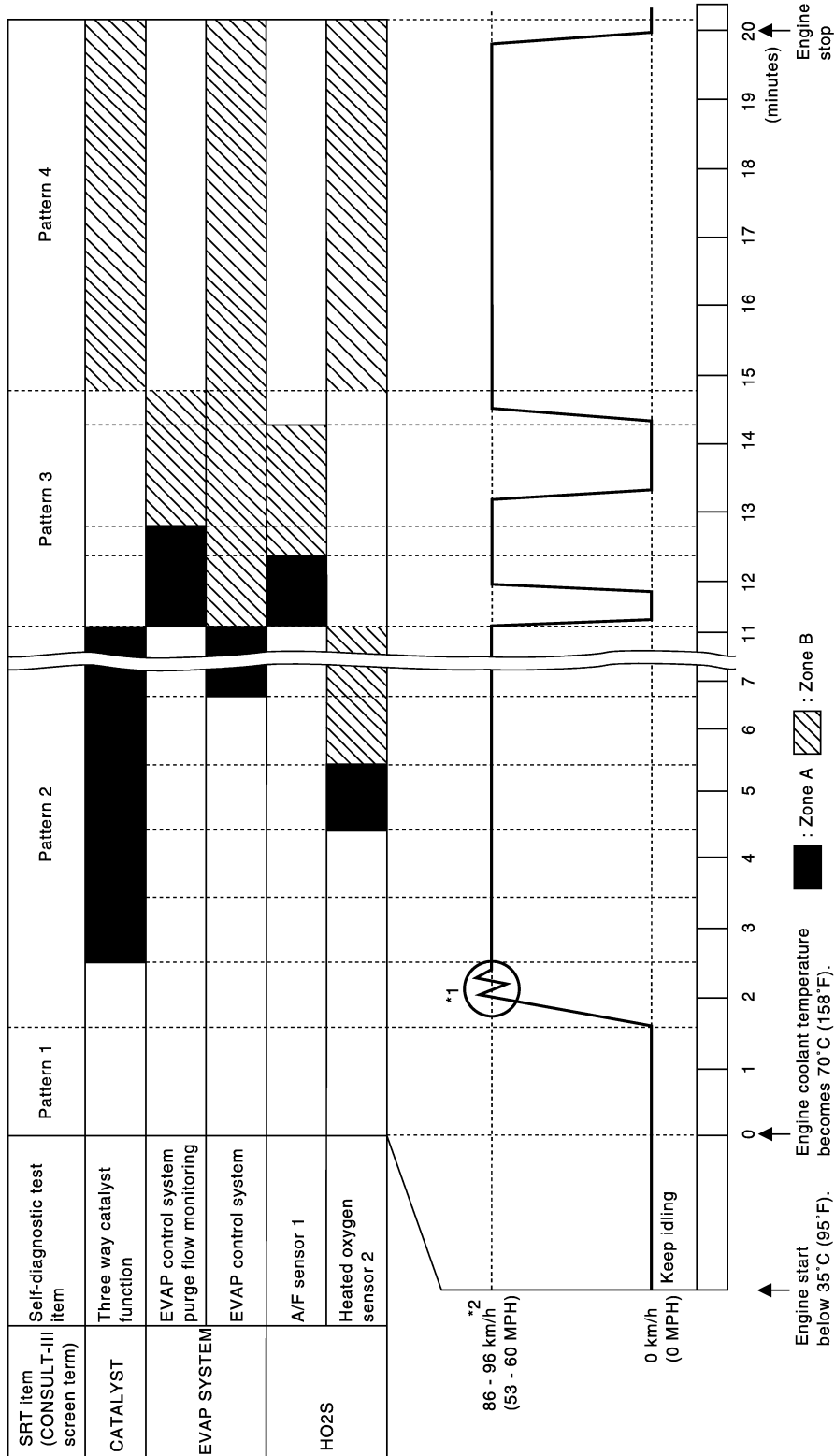
Perform corresponding DTC Confirmation Procedure one by one based on Performance Priority in the table on "SRT Item".

 **WITHOUT CONSULT-III**

The most efficient driving pattern in which SRT codes can be properly set is explained below. The driving pattern should be performed one or more times to set all SRT codes.

Driving Pattern

**Note: Always drive vehicle in safe manner according to traffic conditions and obey all traffic laws. Refer to next page for more information and explanation of chart.**



PBIB3622E

- The time required for each diagnosis varies with road surface conditions, weather, altitude, individual driving habits, etc.
  - Zone A refers to the range where the time, required for the diagnosis under normal conditions\*, is the shortest.
  - Zone B refers to the range where the diagnosis can still be performed if the diagnosis is not completed within zone A.
- \*: Normal conditions refer to the following:

A  
EC  
C  
D  
E  
F  
G  
H  
I  
J  
K  
L  
M  
N  
O  
P

## &lt; ECU DIAGNOSIS &gt;

- Sea level
- Flat road
- Ambient air temperature: 20 - 30°C (68 - 86°F)
- Diagnosis is performed as quickly as possible under normal conditions.  
Under different conditions [For example: ambient air temperature other than 20 - 30°C (68 - 86°F)], diagnosis may also be performed.

## Pattern 1:

- **The engine is started at the engine coolant temperature of -10 to 35°C (14 to 95°F) (where the voltage between the ECM terminal 73 and ground is 3.0 - 4.3V).**
- **The engine must be operated at idle speed until the engine coolant temperature is greater than 70°C (158°F) (where the voltage between the ECM terminal 73 and ground is lower than 1.4V).**
- **The engine is started at the fuel tank temperature of warmer than 0°C (32°F) (where the voltage between the ECM terminal 107 and ground is less than 4.1V).**

## Pattern 2:

- When steady-state driving is performed again even after it is interrupted, each diagnosis can be conducted. In this case, the time required for diagnosis may be extended.

## Pattern 3:

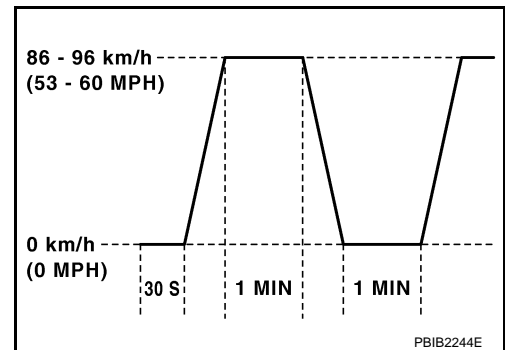
- Operate vehicle following the driving pattern shown in the figure.
- Release the accelerator pedal during deceleration of vehicle speed from 90 km/h (56 MPH) to 0 km/h (0 MPH).

## Pattern 4:

- The accelerator pedal must be held very steady during steady-state driving.
- If the accelerator pedal is moved, the test must be conducted again.

\*1: Depress the accelerator pedal until vehicle speed is 90 km/h (56 MPH), then release the accelerator pedal and keep it released for more than 10 seconds. Depress the accelerator pedal until vehicle speed is 90 km/h (56 MPH) again.

\*2: Checking the vehicle speed with GST is advised.

**Suggested Transmission Gear Position**

Set the selector lever in the D position with the overdrive switch turned ON.

**TEST VALUE AND TEST LIMIT**

The following is the information specified in Service \$06 of SAE J1979.

The test value is a parameter used to determine whether a system/circuit diagnostic test is OK or NG while being monitored by the ECM during self-diagnosis. The test limit is a reference value which is specified as the maximum or minimum value and is compared with the test value being monitored.

These data (test value and test limit) are specified by On Board Monitor ID(OBDMID), Test ID (TID), Unit and Scaling ID and can be displayed on the GST screen.

The items of the test value and test limit will be displayed with GST screen which items are provided by the ECM. (eg., if bank 2 is not applied on this vehicle, only the items of bank 1 are displayed)



# ECM

< ECU DIAGNOSIS >

[VK56DE]

Item	OBD-MID	Self-diagnostic test item	DTC	Test value and Test limit (GST display)		Description
				TID	Unit and Scaling ID	
HO2S	01H	Air fuel ratio (A/F) sensor 1 (Bank 1)	P0131	83H	0BH	Minimum sensor output voltage for test cycle
			P0131	84H	0BH	Maximum sensor output voltage for test cycle
			P0130	85H	0BH	Minimum sensor output voltage for test cycle
			P0130	86H	0BH	Maximum sensor output voltage for test cycle
			P0133	87H	04H	Response rate: Response ratio (Lean to Rich)
			P0133	88H	04H	Response rate: Response ratio (Rich to Lean)
			P2A00	89H	84H	The amount of shift in air fuel ratio
			P2A00	8AH	84H	The amount of shift in air fuel ratio
			P0130	8BH	0BH	Difference in sensor output voltage
			P0133	8CH	83H	Response gain at the limited frequency
	02H	Heated oxygen sensor 2 (Bank 1)	P0138	07H	0CH	Minimum sensor output voltage for test cycle
			P0137	08H	0CH	Maximum sensor output voltage for test cycle
			P0138	80H	0CH	Sensor output voltage
			P0139	81H	0CH	Difference in sensor output voltage
03H	Heated oxygen sensor 3 (Bank 1)	P0143	07H	0CH	Minimum sensor output voltage for test cycle	
		P0144	08H	0CH	Maximum sensor output voltage for test cycle	
		P0146	80H	0CH	Sensor output voltage	
		P0145	81H	0CH	Difference in sensor output voltage	

A  
EC  
C  
D  
E  
F  
G  
H  
I  
J  
K  
L  
M  
N  
O  
P

# ECM

< ECU DIAGNOSIS >

[VK56DE]

Item	OBD-MID	Self-diagnostic test item	DTC	Test value and Test limit (GST display)		Description
				TID	Unit and Scaling ID	
HO2S	05H	Air fuel ratio (A/F) sensor 1 (Bank 2)	P0151	83H	0BH	Minimum sensor output voltage for test cycle
			P0151	84H	0BH	Maximum sensor output voltage for test cycle
			P0150	85H	0BH	Minimum sensor output voltage for test cycle
			P0150	86H	0BH	Maximum sensor output voltage for test cycle
			P0153	87H	04H	Response rate: Response ratio (Lean to Rich)
			P0153	88H	04H	Response rate: Response ratio (Rich to Lean)
			P2A03	89H	84H	The amount of shift in air fuel ratio
			P2A03	8AH	84H	The amount of shift in air fuel ratio
			P0150	8BH	0BH	Difference in sensor output voltage
	P0153	8CH	83H	Response gain at the limited frequency		
	06H	Heated oxygen sensor 2 (Bank 2)	P0158	07H	0CH	Minimum sensor output voltage for test cycle
			P0157	08H	0CH	Maximum sensor output voltage for test cycle
			P0158	80H	0CH	Sensor output voltage
P0159			81H	0CH	Difference in sensor output voltage	
07H	Heated oxygen sensor 3 (Bank2)	P0163	07H	0CH	Minimum sensor output voltage for test cycle	
		P0164	08H	0CH	Maximum sensor output voltage for test cycle	
		P0166	80H	0CH	Sensor output voltage	
		P0165	81H	0CH	Difference in sensor output voltage	
CATA- LYST	21H	Three way catalyst function (Bank1)	P0420	80H	01H	O2 storage index
			P0420	82H	01H	Switching time lag engine exhaust index value
			P2423	83H	0CH	Difference in 3rd O2 sensor output voltage
			P2423	84H	84H	O2 storage index in HC trap catalyst
	22H	Three way catalyst function (Bank2)	P0430	80H	01H	O2 storage index
			P0430	82H	01H	Switching time lag engine exhaust index value
			P2424	83H	0CH	Difference in 3rd O2 sensor output voltage
			P2424	84H	84H	O2 storage index in HC trap catalyst

# ECM

< ECU DIAGNOSIS >

[VK56DE]

Item	OBD-MID	Self-diagnostic test item	DTC	Test value and Test limit (GST display)		Description
				TID	Unit and Scaling ID	
EGR SYSTEM	31H	EGR function	P0400	80H	96H	Low Flow Faults: EGR temp change rate (short term)
			P0400	81H	96H	Low Flow Faults: EGR temp change rate (long term)
			P0400	82H	96H	Low Flow Faults: Difference between max EGR temp and EGR temp under idling condition
			P0400	83H	96H	Low Flow Faults: Max EGR temp
			P1402	84H	96H	High Flow Faults: EGR temp increase rate
VVT SYSTEM	35H	VVT Monitor (Bank1)	P0011	80H	9DH	VTC intake function diagnosis (VTC alignment check diagnosis)
			P0014	81H	9DH	VTC exhaust function diagnosis (VTC alignment check diagnosis)
			P0011	82H	9DH	VTC intake function diagnosis (VTC drive failure diagnosis)
			P0014	83H	9DH	VTC exhaust function diagnosis (VTC drive failure diagnosis)
	36H	VVT Monitor (Bank2)	P0021	80H	9DH	VTC intake function diagnosis (VTC alignment check diagnosis)
			P0024	81H	9DH	VTC exhaust function diagnosis (VTC alignment check diagnosis)
			P0021	82H	9DH	VTC intake function diagnosis (VTC drive failure diagnosis)
			P0024	83H	9DH	VTC exhaust function diagnosis (VTC drive failure diagnosis)
EVAP SYSTEM	39H	EVAP control system leak (Cap Off)	P0455	80H	0CH	Difference in pressure sensor output voltage before and after pull down
	3BH	EVAP control system leak (Small leak)	P0442	80H	05H	Leak area index (for more than 0.04 inch)
	3CH	EVAP control system leak (Very small leak)	P0456	80H	05H	Leak area index (for more than 0.02 inch)
			P0456	81H	FDH	Maximum internal pressure of EVAP system during monitoring
	3DH	Purge flow system	P0441	83H	0CH	Difference in pressure sensor output voltage before and after vent control valve close
O2 SENSOR HEATER	41H	A/F sensor 1 heater (Bank 1)	Low Input:P0031 High Input:P0032	81H	0BH	Converted value of Heater electric current to voltage
	42H	Heated oxygen sensor 2 heater (Bank 1)	Low Input:P0037 High Input:P0038	80H	0CH	Converted value of Heater electric current to voltage
	43H	Heated oxygen sensor 3 heater (Bank 1)	P0043	80H	0CH	Converted value of Heater electric current to voltage
	45H	A/F sensor 1 heater (Bank 2)	Low Input:P0051 High Input:P0052	81H	0BH	Converted value of Heater electric current to voltage
	46H	Heated oxygen sensor 2 heater (Bank 2)	Low Input:P0057 High Input:P0058	80H	0CH	Converted value of Heater electric current to voltage
	47H	Heated oxygen sensor 3 heater (Bank 2)	P0063	80H	0CH	Converted value of Heater electric current to voltage

A

EC

C

D

E

F

G

H

I

J

K

L

M

N

O

P

# ECM

< ECU DIAGNOSIS >

[VK56DE]

Item	OBD-MID	Self-diagnostic test item	DTC	Test value and Test limit (GST display)		Description
				TID	Unit and Scaling ID	
SEC- OND- ARY AIR	71H	Secondary Air system	P0411	80H	01H	Secondary Air Injection System Incorrect Flow Detected
			Bank1: P0491 Bank2: P0492	81H	01H	Secondary Air Injection System Insufficient Flow
			P2445	82H	01H	Secondary Air Injection System Pump Stuck Off
			P2448	83H	01H	Secondary Air Injection System High Airflow
			Bank1: P2440 Bank2: P2442	84H	01H	Secondary Air Injection System Switching Valve Stuck Open
			P2440	85H	01H	Secondary Air Injection System Switching Valve Stuck Open
			P2444	86H	01H	Secondary Air Injection System Pump Stuck On
FUEL SYSTEM	81H	Fuel injection system function (Bank 1)	P0171 or P0172	80H	2FH	Long term fuel trim
			P0171 or P0172	81H	24H	The number of lambda control clamped
	82H	Fuel injection system function (Bank 2)	P0174 or P0175	80H	2FH	Long term fuel trim
			P0174 or P0175	81H	24H	The number of lambda control clamped

# ECM

< ECU DIAGNOSIS >

[VK56DE]

Item	OBD-MID	Self-diagnostic test item	DTC	Test value and Test limit (GST display)		Description
				TID	Unit and Scaling ID	
MISFIRE	A1H	Multiple Cylinder Misfires	P0301	80H	24H	Misfiring counter at 1000 revolution of the first cylinder
			P0302	81H	24H	Misfiring counter at 1000 revolution of the second cylinder
			P0303	82H	24H	Misfiring counter at 1000 revolution of the third cylinder
			P0304	83H	24H	Misfiring counter at 1000 revolution of the fourth cylinder
			P0305	84H	24H	Misfiring counter at 1000 revolution of the fifth cylinder
			P0306	85H	24H	Misfiring counter at 1000 revolution of the sixth cylinder
			P0307	86H	24H	Misfiring counter at 1000 revolution of the seventh cylinder
			P0308	87H	24H	Misfiring counter at 1000 revolution of the eighth cylinder
			P0300	88H	24H	Misfiring counter at 1000 revolution of the multiple cylinders
			P0301	89H	24H	Misfiring counter at 200 revolution of the first cylinder
			P0302	8AH	24H	Misfiring counter at 200 revolution of the second cylinder
			P0303	8BH	24H	Misfiring counter at 200 revolution of the third cylinder
			P0304	8CH	24H	Misfiring counter at 200 revolution of the fourth cylinder
			P0305	8DH	24H	Misfiring counter at 200 revolution of the fifth cylinder
			P0306	8EH	24H	Misfiring counter at 200 revolution of the sixth cylinder
			P0307	8FH	24H	Misfiring counter at 200 revolution of the seventh cylinder
			P0308	90H	24H	Misfiring counter at 200 revolution of the eighth cylinder
			P0300	91H	24H	Misfiring counter at 1000 revolution of the single cylinder
			P0300	92H	24H	Misfiring counter at 200 revolution of the single cylinder
			P0300	93H	24H	Misfiring counter at 200 revolution of the multiple cylinders

A  
EC  
C  
D  
E  
F  
G  
H  
I  
J  
K  
L  
M  
N  
O  
P

## &lt; ECU DIAGNOSIS &gt;

Item	OBD-MID	Self-diagnostic test item	DTC	Test value and Test limit (GST display)		Description
				TID	Unit and Scaling ID	
MISFIRE	A2H	No.1 Cylinder Misfire	P0301	0BH	24H	EWMA (Exponential Weighted Moving Average) misfire counts for last 10 driving cycles
			P0301	0CH	24H	Misfire counts for last/current driving cycles
	A3H	No.2 Cylinder Misfire	P0302	0BH	24H	EWMA (Exponential Weighted Moving Average) misfire counts for last 10 driving cycles
			P0302	0CH	24H	Misfire counts for last/current driving cycles
	A4H	No.3 Cylinder Misfire	P0303	0BH	24H	EWMA (Exponential Weighted Moving Average) misfire counts for last 10 driving cycles
			P0303	0CH	24H	Misfire counts for last/current driving cycles
	A5H	No.4 Cylinder Misfire	P0304	0BH	24H	EWMA (Exponential Weighted Moving Average) misfire counts for last 10 driving cycles
			P0304	0CH	24H	Misfire counts for last/current driving cycles
	A6H	No.5 Cylinder Misfire	P0305	0BH	24H	EWMA (Exponential Weighted Moving Average) misfire counts for last 10 driving cycles
			P0305	0CH	24H	Misfire counts for last/current driving cycles
	A7H	No.6 Cylinder Misfire	P0306	0BH	24H	EWMA (Exponential Weighted Moving Average) misfire counts for last 10 driving cycles
			P0306	0CH	24H	Misfire counts for last/current driving cycles
	A8H	No.7 Cylinder Misfire	P0307	0BH	24H	EWMA (Exponential Weighted Moving Average) misfire counts for last 10 driving cycles
			P0307	0CH	24H	Misfire counts for last/current driving cycles
	A9H	No.8 Cylinder Misfire	P0308	0BH	24H	EWMA (Exponential Weighted Moving Average) misfire counts for last 10 driving cycles
			P0308	0CH	24H	Misfire counts for last/current driving cycles

## HOW TO ERASE EMISSION-RELATED DIAGNOSTIC INFORMATION

How to Erase DTC

## ④ WITH CONSULT-III

## NOTE:

- If the ignition switch stays ON after repair work, be sure to turn ignition switch OFF once.

Wait at least 10 seconds and then turn it ON (engine stopped) again.

- If the DTC is not for A/T related items (see [EC-921, "DTC Index"](#)), skip step 1.

1. Perform "HOW TO ERASE DTC" in [TM-34, "OBD-II Diagnostic Trouble Code \(DTC\)"](#). (The DTC in TCM will be erased)
2. Select "ENGINE" with CONSULT-III.

## &lt; ECU DIAGNOSIS &gt;

3. Select "SELF DIAGNOSTIC RESULT".
4. Touch "ERASE". (DTC in ECM will be erased.)

 **WITH GST**
**NOTE:**

- If the ignition switch stays ON after repair work, be sure to turn ignition switch OFF once. Wait at least 10 seconds and then turn it ON (engine stopped) again.

1. Select Service \$04 with GST (Generic Scan Tool).

 **No Tools**
**NOTE:**

- If the ignition switch stays ON after repair work, be sure to turn ignition switch OFF once. Wait at least 10 seconds and then turn it ON (engine stopped) again.

1. Erase DTC in ECM. Refer to "How to Erase Diagnostic Test Mode II (Self-Diagnostic Results)" in [EC-538](#), "[Malfunction Indicator Lamp \(MIL\)](#)".

- If the battery is disconnected, the emission-related diagnostic information will be cleared within 24 hours.

- The following data are cleared when the ECM memory is erased.

- Diagnostic trouble codes
- 1st trip diagnostic trouble codes
- Freeze frame data
- 1st trip freeze frame data
- System readiness test (SRT) codes
- Test values

Actual work procedures are explained using a DTC as an example. Be careful so that not only the DTC, but all of the data listed above, are cleared from the ECM memory during work procedures.

A

EC

C

D

E

F

G

H

I

J

K

L

M

N

O

P

# ENGINE CONTROL SYSTEM SYMPTOMS

< SYMPTOM DIAGNOSIS >

[VK56DE]

## SYMPTOM DIAGNOSIS

### ENGINE CONTROL SYSTEM SYMPTOMS

#### Symptom Matrix Chart

INFOID:000000003936875

#### SYSTEM — BASIC ENGINE CONTROL SYSTEM

		SYMPTOM												Refer- ence page	
		HARD/NO START/RESTART (EXCP. HA)	ENGINE STALL	HESITATION/SURGING/FLAT SPOT	SPARK KNOCK/DETONATION	LACK OF POWER/POOR ACCELERATION	HIGH IDLE/LOW IDLE	ROUGH IDLE/HUNTING	IDLING VIBRATION	SLOW/NO RETURN TO IDLE	OVERHEATS/WATER TEMPERATURE HIGH	EXCESSIVE FUEL CONSUMPTION	EXCESSIVE OIL CONSUMPTION		BATTERY DEAD (UNDER CHARGE)
Warranty symptom code		AA	AB	AC	AD	AE	AF	AG	AH	AJ	AK	AL	AM	HA	
Fuel	Fuel pump circuit	1	1	2	3	2		2	2			3		2	<a href="#">EC-869</a>
	Fuel pressure regulator system	3	3	4	4	4	4	4	4	4		4			<a href="#">EC-951</a>
	Fuel injector circuit	1	1	2	3	2		2	2			2			<a href="#">EC-866</a>
	Evaporative emission system	3	3	4	4	4	4	4	4	4		4			<a href="#">EC-520</a>
Air	Positive crankcase ventilation system	3	3	4	4	4	4	4	4	4		4	1		<a href="#">EC-882</a>
	Incorrect idle speed adjustment						1	1	1	1		1			
	Electric throttle control actuator	1	1	2	3	3	2	2	2	2		2		2	<a href="#">EC-826</a> <a href="#">EC-829</a> <a href="#">EC-833</a> <a href="#">EC-835</a>
Ignition	Incorrect ignition timing adjustment	3	3	1	1	1		1	1			1			<a href="#">EC-495</a>
	Ignition circuit	1	1	2	2	2		2	2			2			<a href="#">EC-872</a>
Main power supply and ground circuit		2	2	3	3	3		3	3		2	3			<a href="#">EC-565</a>



# ENGINE CONTROL SYSTEM SYMPTOMS

< SYMPTOM DIAGNOSIS >

[VK56DE]

	SYMPTOM													Refer- ence page
	HARD/NO START/RESTART (EXCP. HA)	ENGINE STALL	HESITATION/SURGING/FLAT SPOT	SPARK KNOCK/DETONATION	LACK OF POWER/POOR ACCELERATION	HIGH IDLE/LOW IDLE	ROUGH IDLE/HUNTING	IDLING VIBRATION	SLOW/NO RETURN TO IDLE	OVERHEATS/WATER TEMPERATURE HIGH	EXCESSIVE FUEL CONSUMPTION	EXCESSIVE OIL CONSUMPTION	BATTERY DEAD (UNDER CHARGE)	
Warranty symptom code	AA	AB	AC	AD	AE	AF	AG	AH	AJ	AK	AL	AM	HA	
Mass air flow sensor circuit	1			2										<a href="#">EC-588</a> <a href="#">EC-594</a>
Engine coolant temperature sensor circuit							3			3				<a href="#">EC-602</a> <a href="#">EC-606</a>
Air fuel ratio (A/F) sensor 1 circuit		1	2	3	2		2	2			2			<a href="#">EC-621</a> <a href="#">EC-625</a> <a href="#">EC-629</a> <a href="#">EC-633</a> <a href="#">EC-852</a>
Throttle position sensor circuit						2				2				<a href="#">EC-609</a> <a href="#">EC-673</a> <a href="#">EC-790</a> <a href="#">EC-792</a> <a href="#">EC-844</a>
Accelerator pedal position sensor circuit			3	2	1									<a href="#">EC-775</a> <a href="#">EC-837</a> <a href="#">EC-840</a> <a href="#">EC-848</a>
Knock sensor circuit			2								3			<a href="#">EC-684</a>
Crankshaft position sensor (POS) circuit	2	2												<a href="#">EC-687</a>
Camshaft position sensor (PHASE) circuit	3	2												<a href="#">EC-691</a>
Vehicle speed signal circuit		2	3		3						3			<a href="#">EC-761</a>
Power steering pressure sensor circuit		2					3	3						<a href="#">EC-767</a>
ECM	2	2	3	3	3	3	3	3	3	3	3			<a href="#">EC-770</a> <a href="#">EC-772</a> <a href="#">EC-774</a>
Intake valve timing control solenoid valve circuit		3	2		1	3	2	2	3		3			<a href="#">EC-585</a>
Park/neutral position (PNP) signal circuit			3		3		3	3			3			<a href="#">EC-778</a>
Refrigerant pressure sensor circuit		2				3			3		4			<a href="#">EC-884</a>
Electrical load signal circuit							3							<a href="#">EC-864</a>
Air conditioner circuit	2	2	3	3	3	3	3	3	3		3		2	<a href="#">HAC-4</a> or <a href="#">HAC-124</a>
ABS actuator and electric unit (control unit)			4											<a href="#">EC-786</a>

1 - 6: The numbers refer to the order of inspection.

(continued on next table)

SYSTEM — ENGINE MECHANICAL & OTHER

A  
EC  
C  
D  
E  
F  
G  
H  
I  
J  
K  
L  
M  
N  
O  
P

# ENGINE CONTROL SYSTEM SYMPTOMS

< SYMPTOM DIAGNOSIS >

[VK56DE]

		SYMPTOM													Reference page													
		HARD/NO START/RESTART (EXCP. HA)	ENGINE STALL	HESITATION/SURGING/FLAT SPOT	SPARK KNOCK/DETONATION	LACK OF POWER/POOR ACCELERATION	HIGH IDLE/LOW IDLE	ROUGH IDLE/HUNTING	IDLING VIBRATION	SLOW/NO RETURN TO IDLE	OVERHEATS/WATER TEMPERATURE HIGH	EXCESSIVE FUEL CONSUMPTION	EXCESSIVE OIL CONSUMPTION	BATTERY DEAD (UNDER CHARGE)														
Warranty symptom code		AA	AB	AC	AD	AE	AF	AG	AH	AJ	AK	AL	AM	HA														
Fuel	Fuel tank	5	5												<a href="#">FL-6</a>													
	Fuel piping			5	5	5		5	5			5			<a href="#">FL-5</a>													
	Vapor lock															—												
	Valve deposit															—												
	Poor fuel (Heavy weight gasoline, Low octane)	5			5	5	5		5	5			5			—												
Air	Air duct														<a href="#">EM-167</a>													
	Air cleaner														<a href="#">EM-167</a>													
	Air leakage from air duct (Mass air flow sensor — electric throttle control actuator)		5	5		5		5	5			5			<a href="#">EM-167</a>													
	Electric throttle control actuator	5			5		5			5					<a href="#">EM-168</a>													
	Air leakage from intake manifold/Collector/Gasket														<a href="#">EM-168</a>													
Cranking	Battery	1	1	1		1		1	1					1	<a href="#">PG-5</a>													
	Generator circuit														<a href="#">CHG-5</a>													
	Starter circuit	3										1			<a href="#">STR-5</a>													
	Signal plate	6													<a href="#">EM-195</a>													
	Park/neutral position (PNP) signal	4													<a href="#">TM-51</a>													
Engine	Cylinder head	5	5	5	5	5		5	5			5	3		<a href="#">EM-210</a>													
	Cylinder head gasket														4													
	Cylinder block																											
	Piston																				4							
	Piston ring																											
	Connecting rod	6						6	6			6	6			6	6			6			<a href="#">EM-225</a>					
	Bearing																											
	Crankshaft																											
Valve mechanism	Timing chain	5	5	5	5	5		5	5			5			<a href="#">EM-187</a>													
	Camshaft																								<a href="#">EM-195</a>			
	Intake valve timing control																										<a href="#">EM-187</a>	
	Intake valve																											
	Exhaust valve																								3			<a href="#">EM-210</a>

# ENGINE CONTROL SYSTEM SYMPTOMS

< SYMPTOM DIAGNOSIS >

[VK56DE]

		SYMPTOM												Reference page	
		HARD/NO START/RESTART (EXCP. HA)	ENGINE STALL	HESITATION/SURGING/FLAT SPOT	SPARK KNOCK/DETONATION	LACK OF POWER/POOR ACCELERATION	HIGH IDLE/LOW IDLE	ROUGH IDLE/HUNTING	IDLING VIBRATION	SLOW/NO RETURN TO IDLE	OVERHEATS/WATER TEMPERATURE HIGH	EXCESSIVE FUEL CONSUMPTION	EXCESSIVE OIL CONSUMPTION		BATTERY DEAD (UNDER CHARGE)
Warranty symptom code		AA	AB	AC	AD	AE	AF	AG	AH	AJ	AK	AL	AM	HA	
Exhaust	Exhaust manifold/Tube/Muffler/Gasket	5	5	5	5	5		5	5			5			<a href="#">EM-172</a>
	Three way catalyst														
Lubrica-tion	Oil pan/Oil strainer/Oil pump/Oil filter/Oil gallery/Oil cooler	5	5	5	5	5		5	5			5			<a href="#">LU-27</a> <a href="#">LU-28</a> <a href="#">LU-30</a> <a href="#">LU-32</a>
	Oil level (Low)/Filthy oil														<a href="#">LU-24</a>
Cooling	Radiator/Hose/Radiator filler cap														<a href="#">CO-47</a>
	Thermostat									5					<a href="#">CO-54</a>
	Water pump														<a href="#">CO-52</a>
	Water gallery	5	5	5	5	5		5	5		4	5			<a href="#">CO-36</a>
	Cooling fan									5					<a href="#">CO-49</a> <a href="#">CO-50</a>
	Coolant level (Low)/Contaminat-ed coolant									5					<a href="#">CO-40</a>
NVIS (NISSAN Vehicle Immobilizer System — NATS)		1	1												<a href="#">SEC-5</a> or <a href="#">SEC-121</a>

1 - 6: The numbers refer to the order of inspection.

A  
EC  
C  
D  
E  
F  
G  
H  
I  
J  
K  
L  
M  
N  
O  
P

## NORMAL OPERATING CONDITION

< SYMPTOM DIAGNOSIS >

[VK56DE]

### NORMAL OPERATING CONDITION

#### Fuel Cut Control (at No Load and High Engine Speed)

INFOID:000000003936876

#### INPUT/OUTPUT SIGNAL CHART

Sensor	Input signal to ECM	ECM function	Actuator
Accelerator pedal position sensor	Accelerator pedal position	Fuel cut control	Fuel injector
Engine coolant temperature sensor	Engine coolant temperature		
Crankshaft position sensor (POS) Camshaft position sensor (PHASE)	Engine speed		
Unified meter control unit	Neutral position Vehicle speed*		

\*: This signal is sent to the ECM via the CAN communication line.

#### SYSTEM DESCRIPTION

If the engine speed is above 1,800 rpm under no load (for example, the selector lever position is neutral and engine speed over is 1,800 rpm) fuel will be cut off after some time. The exact time when the fuel is cut off varies based on engine speed.

Fuel cut will be operated until the engine speed reaches 1,500 rpm, then fuel cut will be cancelled.

#### NOTE:

This function is different from deceleration control listed under [EC-511, "System Description"](#).

PRECAUTION

PRECAUTIONS

Precaution for Supplemental Restraint System (SRS) "AIR BAG" and "SEAT BELT PRE-TENSIONER"

INFOID:000000003936877

The Supplemental Restraint System such as "AIR BAG" and "SEAT BELT PRE-TENSIONER", used along with a front seat belt, helps to reduce the risk or severity of injury to the driver and front passenger for certain types of collision. This system includes seat belt switch inputs and dual stage front air bag modules. The SRS system uses the seat belt switches to determine the front air bag deployment, and may only deploy one front air bag, depending on the severity of a collision and whether the front occupants are belted or unbelted. Information necessary to service the system safely is included in the SRS and SB section of this Service Manual.

**WARNING:**

- To avoid rendering the SRS inoperative, which could increase the risk of personal injury or death in the event of a collision which would result in air bag inflation, all maintenance must be performed by an authorized NISSAN/INFINITI dealer.
- Improper maintenance, including incorrect removal and installation of the SRS, can lead to personal injury caused by unintentional activation of the system. For removal of Spiral Cable and Air Bag Module, see the SRS section.
- Never use electrical test equipment on any circuit related to the SRS unless instructed to in this Service Manual. SRS wiring harnesses can be identified by yellow and/or orange harnesses or harness connectors.

On Board Diagnosis (OBD) System of Engine and A/T

INFOID:000000003936878

The ECM has an on board diagnostic system. It will illuminate the malfunction indicator lamp (MIL) to warn the driver of a malfunction causing emission deterioration.

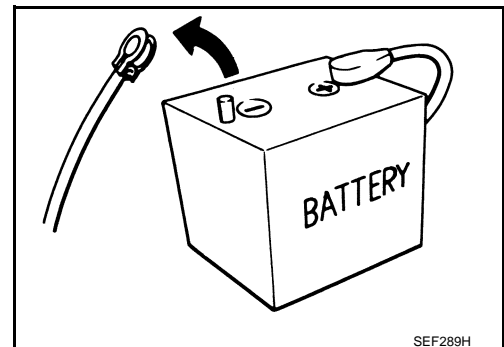
**CAUTION:**

- Always turn the ignition switch OFF and disconnect the negative battery cable before any repair or inspection work. The open/short circuit of related switches, sensors, solenoid valves, etc. will cause the MIL to illuminate.
- Always connect and lock the connectors securely after work. A loose (unlocked) connector will cause the MIL to illuminate due to the open circuit. (Check that the connector is free from water, grease, dirt, bent terminals, etc.)
- Certain systems and components, especially those related to OBD, may use a new style slide-locking type harness connector. For description and how to disconnect, refer to [PG-67, "Description"](#).
- Always route and secure the harnesses properly after work. The interference of the harness with a bracket, etc. may cause the MIL to illuminate due to the short circuit.
- Always connect rubber tubes properly after work. A misconnected or disconnected rubber tube may cause the MIL to illuminate due to the malfunction of the EVAP system or fuel injection system, etc.
- Always erase the unnecessary malfunction information (repairs completed) from the ECM and TCM (Transmission control module) before returning the vehicle to the customer.

Precaution

INFOID:000000003936879

- Always use a 12 volt battery as power source.
- Never attempt to disconnect battery cables while engine is running.
- Before connecting or disconnecting the ECM harness connector, turn ignition switch OFF and disconnect negative battery cable. Failure to do so may damage the ECM because battery voltage is applied to ECM even if ignition switch is turned OFF.
- Before removing parts, turn ignition switch OFF and then disconnect negative battery cable.

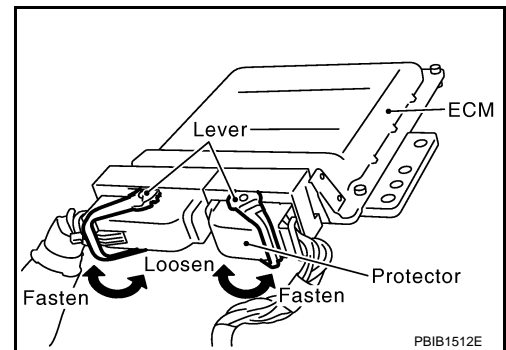
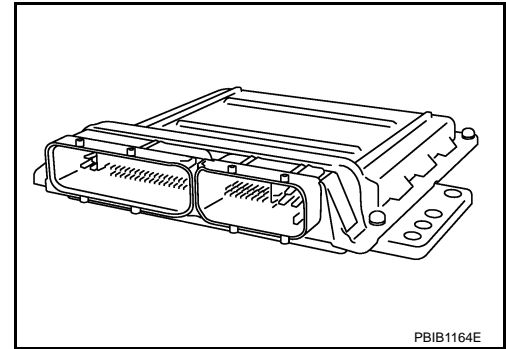


# PRECAUTIONS

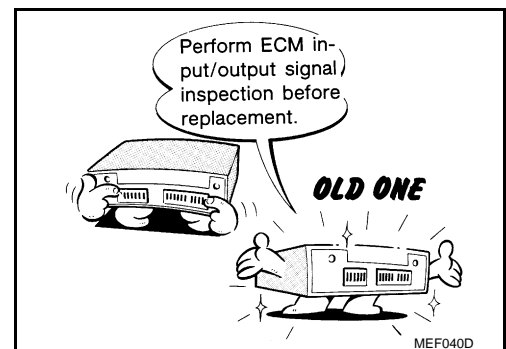
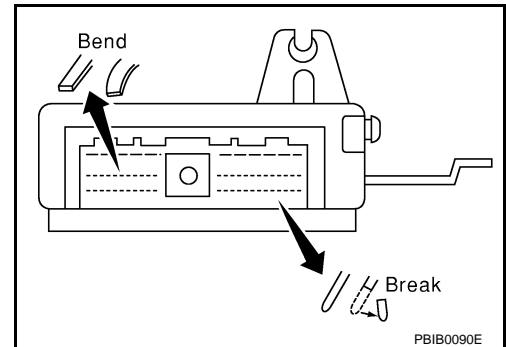
[VK56DE]

## < PRECAUTION >

- Never disassemble ECM.
- If a battery cable is disconnected, the memory will return to the ECM value.  
The ECM will now start to self-control at its initial value. Thus, engine operation can vary slightly in this case. However, this is not an indication of a malfunction. Never replace parts because of a slight variation.
- If the battery is disconnected, the following emission-related diagnostic information will be cleared within 24 hours.
  - Diagnostic trouble codes
  - 1st trip diagnostic trouble codes
  - Freeze frame data
  - 1st trip freeze frame data
  - System readiness test (SRT) codes
  - Test values
- When connecting ECM harness connector, fasten it securely with a lever as far as it will go as shown in the figure.



- When connecting or disconnecting pin connectors into or from ECM, never damage pin terminals (bends or breaks). Check that there are not any bends or breaks on ECM pin terminal, when connecting pin connectors.
- Securely connect ECM harness connectors.  
A poor connection can cause an extremely high (surge) voltage to develop in coil and condenser, thus resulting in damage to ICs.
- Keep engine control system harness at least 10 cm (4 in) away from adjacent harness, to prevent engine control system malfunctions due to receiving external noise, degraded operation of ICs, etc.
- Keep engine control system parts and harness dry.
- Before replacing ECM, perform ECM Terminals and Reference Value inspection and check that ECM functions properly. Refer to [EC-890, "ECM Terminal and Reference Value"](#).
- Handle mass air flow sensor carefully to avoid damage.
- Never disassemble mass air flow sensor.
- Never clean mass air flow sensor with any type of detergent.
- Never disassemble electric throttle control actuator.
- Even a slight leakage in the air intake system can cause serious incidents.
- Never shock or jar the camshaft position sensor (PHASE), crankshaft position sensor (POS).

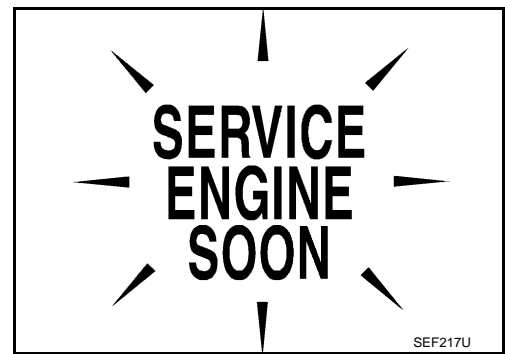


# PRECAUTIONS

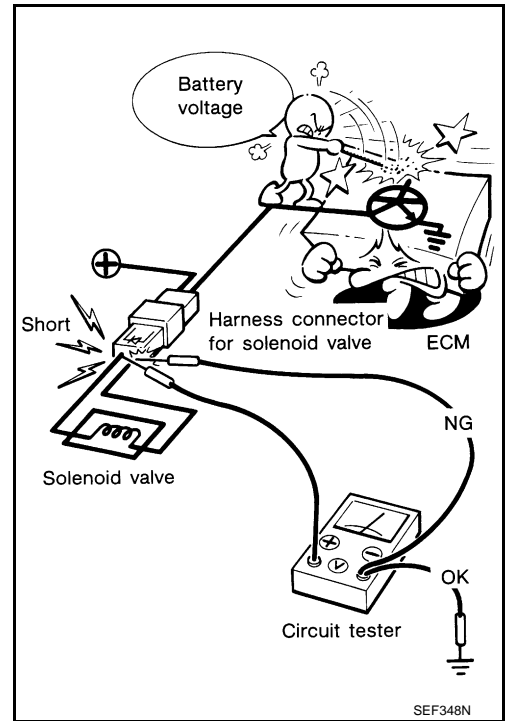
[VK56DE]

## < PRECAUTION >

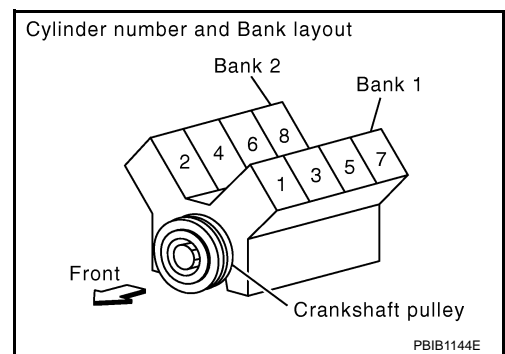
- After performing each TROUBLE DIAGNOSIS, perform DTC Confirmation Procedure or Overall Function Check. The DTC should not be displayed in the DTC Confirmation Procedure if the repair is completed. The Overall Function Check should be a good result if the repair is completed.



- When measuring ECM signals with a circuit tester, never allow the two tester probes to contact. Accidental contact of probes will cause a short circuit and damage the ECM power transistor.
- Never use ECM ground terminals when measuring input/output voltage. Doing so may result in damage to the ECM's transistor. Use a ground other than ECM terminals, such as the ground.



- B1 indicates bank 1, B2 indicates bank 2 as shown in the figure.

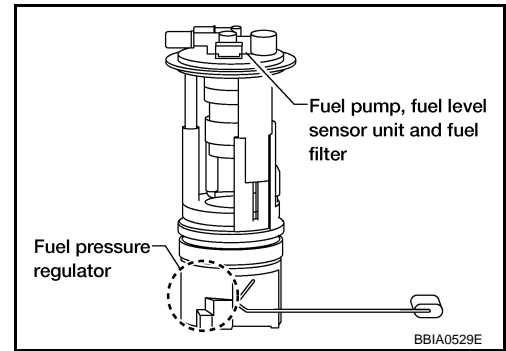


# PRECAUTIONS

[VK56DE]

## < PRECAUTION >

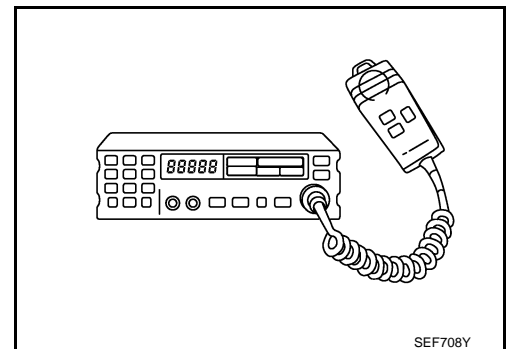
- Never operate fuel pump when there is no fuel in lines.
- Tighten fuel hose clamps to the specified torque.



- Never depress accelerator pedal when starting.
- Immediately after starting, do not rev up engine unnecessarily.
- Never rev up engine just prior to shutdown.



- When installing C.B. ham radio or a mobile phone, always observe the following as it may adversely affect electronic control systems depending on installation location.
  - Keep the antenna as far as possible from the electronic control units.
  - Keep the antenna feeder line more than 20 cm (8 in) away from the harness of electronic controls. Never let them run parallel for a long distance.
  - Adjust the antenna and feeder line so that the standing-wave ratio can be kept smaller.
  - Always ground the radio to vehicle body.





# PREPARATION

< PREPARATION >

[VK56DE]

## PREPARATION

### PREPARATION

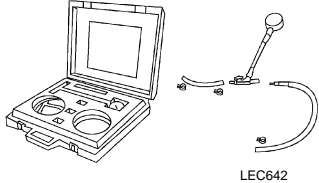
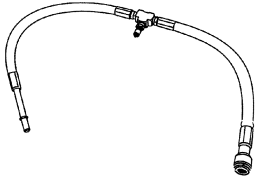

#### Special Service Tool

INFOID:000000003936880

A

EC

The actual shapes of Kent-Moore tools may differ from those of special service tools illustrated here.

Tool number (Kent-Moore No.) Tool name	Description	
(J-44321) Fuel pressure gauge kit	 <p>LEC642</p>	Checks fuel pressure
(J-44321-6) Fuel pressure adapter	 <p>LBIA0376E</p>	Connects fuel pressure gauge to quick connector type fuel lines.
(J-45488) Quick connector re- lease	 <p>PBIC0198E</p>	Removes fuel tube quick connectors in engine room.

C

D

E

F

G

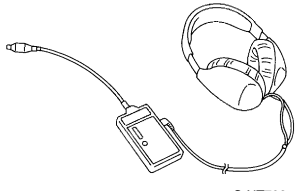
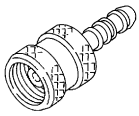
H

I

J

#### Commercial Service Tool

INFOID:000000003936881

Tool name (Kent-Moore No.)	Description	
Leak detector i.e.: (J-41416)	 <p>S-NT703</p>	Locates the EVAP leak
EVAP service port adapter i.e.: (J-41413-OB)	 <p>S-NT704</p>	Applies positive pressure through EVAP service port

K

L

M

N


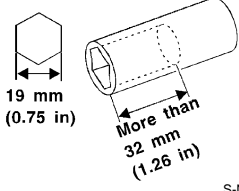
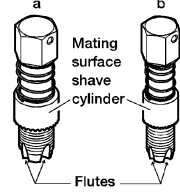

O

P

# PREPARATION

< PREPARATION >

[VK56DE]

Tool name (Kent-Moore No.)	Description	
Fuel filler cap adapter i.e.: (MLR-8382)	<div style="text-align: center;">  <p>S-NT815</p> </div>	
Socket wrench	<div style="text-align: center;">  <p>S-NT705</p> </div>	
Oxygen sensor thread cleaner i.e.: (J-43897-18) (J-43897-12)	<div style="text-align: center;">  <p>AEM488</p> </div>	
Anti-seize lubricant i.e.: (Permatex™ 133AR or equivalent meeting MIL specifica- tion MIL-A-907)	<div style="text-align: center;">  <p>S-NT779</p> </div>	

Checks fuel tank vacuum relief valve opening pressure

Removes and installs engine coolant temperature sensor

Reconditions the exhaust system threads before installing a new oxygen sensor. Use with anti-seize lubricant shown below.  
**a: 18 mm diameter with pitch 1.5 mm for Zirconia Oxygen Sensor**  
**b: 12 mm diameter with pitch 1.25 mm for Titania Oxygen Sensor**

Lubricates oxygen sensor thread cleaning tool when reconditioning exhaust system threads.

## ON-VEHICLE MAINTENANCE

### FUEL PRESSURE

#### Fuel Pressure Check

INFOID:000000003936882

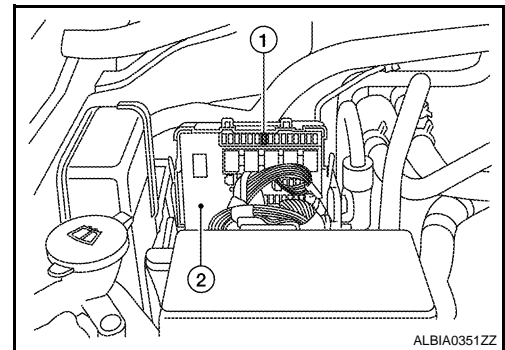
#### FUEL PRESSURE RELEASE

④ With CONSULT-III

1. Turn ignition switch ON.
2. Perform "FUEL PRESSURE RELEASE" in "WORK SUPPORT" mode with CONSULT-III.
3. Start engine.
4. After engine stalls, crank it 2 or 3 times to release all fuel pressure.
5. Turn ignition switch OFF.

⊗ Without CONSULT-III

1. Remove fuel pump fuse (1) located in IPDM E/R (2).
2. Start engine.
3. After engine stalls, crank it 2 or 3 times to release all fuel pressure.
4. Turn ignition switch OFF.
5. Reinstall fuel pump fuse after servicing fuel system.



#### FUEL PRESSURE CHECK

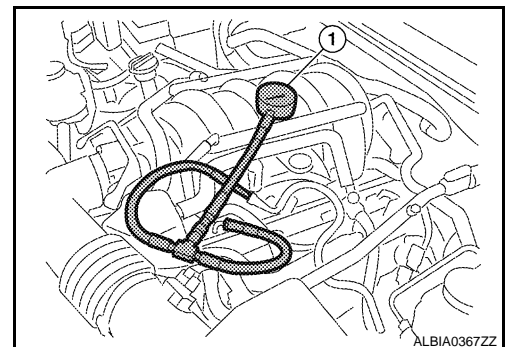
##### CAUTION:

- Before disconnecting fuel line, release fuel pressure from fuel line to eliminate danger.
- Be careful not to scratch or get the fuel hose connection area dirty when servicing, so that the quick connector o-ring maintains seal ability.
- Use Fuel Pressure Gauge Kit [SST (J-44321)] and Fuel Pressure Adapter [SST (J-44321-6)] to check fuel pressure.
- Never perform fuel pressure check with electrical system operating (i.e. lights, rear window defogger, A/C, etc.). Fuel pressure gauge may indicate false readings due to varying engine loads and changes in manifold vacuum.

##### NOTE:

Prepare pans or saucers under the disconnected fuel line because the fuel may spill out. The fuel pressure cannot be completely released because R51 models do not have fuel return system.

1. Release fuel pressure to zero. Refer to "FUEL PRESSURE RELEASE".
2. Remove engine cover.
3. Remove fuel hose using Quick Connector Release [SST (J-45488)]. Refer to [EM-182. "Exploded View"](#).
  - Never twist or kink fuel hose because it is plastic hose.
  - Never remove fuel hose from quick connector.
  - Keep fuel hose connections clean.
4. Install Fuel Pressure Adapter [SST (J-44321-6)] and Fuel Pressure Gauge [SST (J-44321)] (1) as shown in the figure.
  - Never distort or bend fuel rail tube when installing fuel pressure gauge adapter.
  - When reconnecting fuel hose, check the original fuel hose for damage and abnormality.
5. Turn ignition switch ON (reactivate fuel pump), and check for fuel leakage.
6. Start engine and check for fuel leakage.
7. Read the indication of fuel pressure gauge.



## FUEL PRESSURE

< ON-VEHICLE MAINTENANCE >

[VK56DE]

- During fuel pressure check, check for fuel leakage from fuel connection every 3 minutes.

**At idling: Approximately 350 kPa (3.57 kg/cm<sup>2</sup>, 51 psi)**

8. If result is unsatisfactory, go to next step.
9. Check the following.
  - Fuel hoses and fuel tubes for clogging
  - Fuel filter for clogging
  - Fuel pump
  - Fuel pressure regulator for cloggingIf OK, replace fuel pressure regulator.  
If NG, repair or replace malfunctioning part.
10. Before disconnecting Fuel Pressure Gauge and Fuel Pressure Adapter [SST (J-44321-6)], release fuel pressure to zero. Refer to "FUEL PRESSURE RELEASE".

## EVAP LEAK CHECK

### How to Detect EVAP Leakage

INFOID:000000003936883

**CAUTION:**

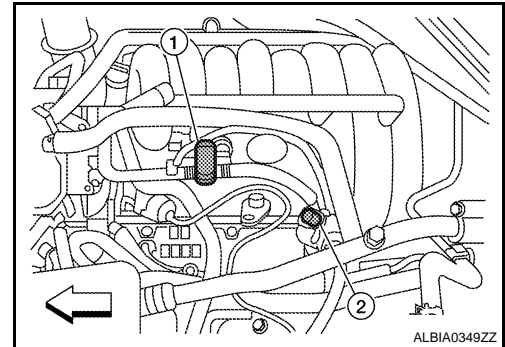
- Never use compressed air or a high pressure pump.
- Never exceed 4.12 kPa (0.042 kg/cm<sup>2</sup>, 0.6 psi) of pressure in EVAP system.

**NOTE:**

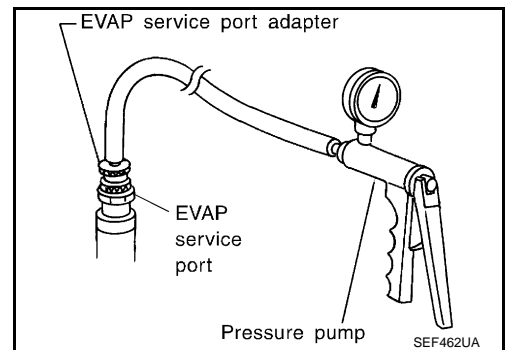
- Never start engine.
- Improper installation of EVAP service port adapter (commercial service tool) to the EVAP service port may cause a leak.

Ⓟ WITH CONSULT-III

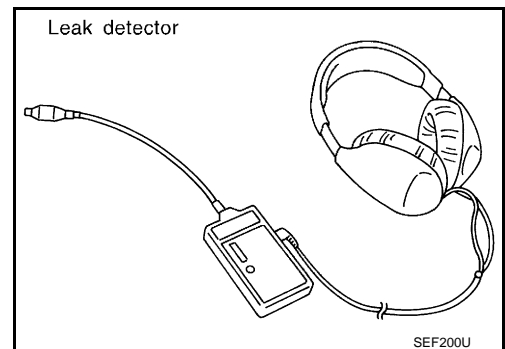
1. Attach the EVAP service port adapter (commercial service tool) securely to the EVAP service port.
  - EVAP canister purge volume control solenoid valve (1)
  - ←: Vehicle front



2. Also attach the pressure pump and hose to the EVAP service port adapter (commercial service tool).
3. Turn ignition switch ON.
4. Select the "EVAP SYSTEM CLOSE" of "WORK SUPPORT MODE" with CONSULT-III.
5. Touch "START". A bar graph (Pressure indicating display) will appear on the screen.
6. Apply positive pressure to the EVAP system until the pressure indicator reaches the middle of the bar graph.
7. Remove EVAP service port adapter (commercial service tool) and hose with pressure pump.



8. Locate the leak using a leak detector (commercial service tool). Refer to [EC-520, "Description"](#).



ⓧ WITHOUT CONSULT-III

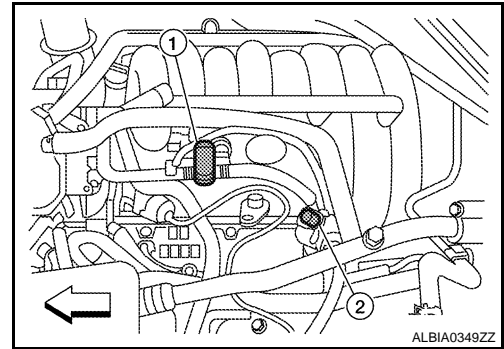
A  
EC  
C  
D  
E  
F  
G  
H  
I  
J  
K  
L  
M  
N  
O  
P

# EVAP LEAK CHECK

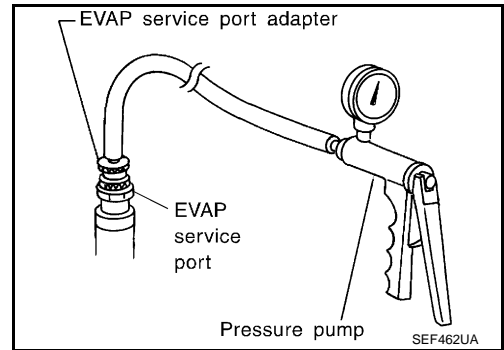
[VK56DE]

## < ON-VEHICLE MAINTENANCE >

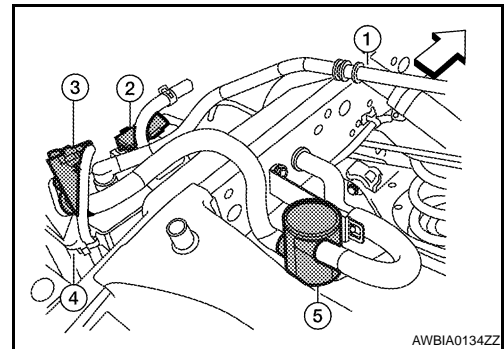
1. Attach the EVAP service port adapter (commercial service tool) securely to the EVAP service port (2).
  - EVAP canister purge volume control solenoid valve (1)
  - ⇐: Vehicle front



2. Also attach the pressure pump with pressure gauge to the EVAP service port adapter (commercial service tool).



3. Apply battery voltage between the terminals of EVAP canister vent control valve (3) to make a closed EVAP system.
  - Fuel filler pipe (top of frame view) (1)
  - EVAP control system pressure sensor (2)
  - EVAP canister (4)
  - Drain filter (5)
  - ⇐: Vehicle front
4. To locate the leak, deliver positive pressure to the EVAP system until pressure gauge points reach 1.38 to 2.76 kPa (0.014 to 0.028 kg/cm<sup>2</sup>, 0.2 to 0.4 psi).
5. Remove EVAP service port adapter (commercial service tool) and hose with pressure pump.
6. Locate the leak using a leak detector (commercial service tool). Refer to [EC-520. "Description"](#).



## ON-VEHICLE REPAIR

### EVAP CANISTER

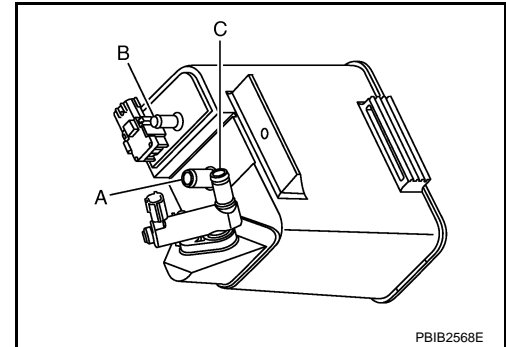
#### Component Inspection

INFOID:000000003936884

#### EVAP CANISTER

Check EVAP canister as per the following:

1. Block port **B**.
2. Blow air into port **A** and check that it flows freely out of port **C**.
3. Release blocked port **B**.
4. Apply vacuum pressure to port **B** and check that vacuum pressure exists at the ports **A** and **C**.
5. Block port **A** and **B**.
6. Apply pressure to port **C** and check that there is no leakage.

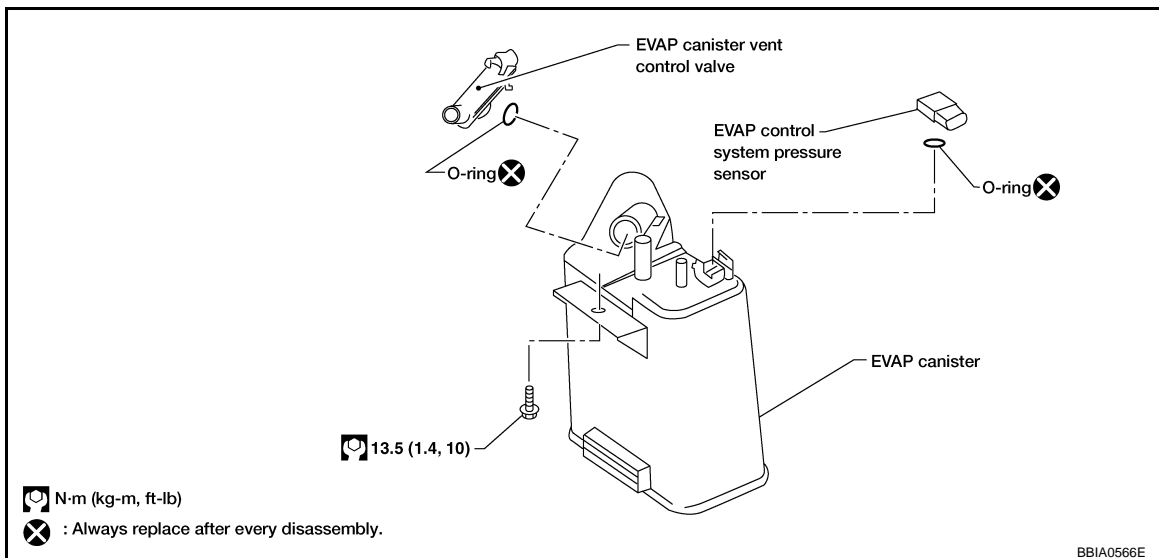


#### Removal and Installation

INFOID:000000003936885

#### EVAP CANISTER

Tighten EVAP canister as shown in the figure.

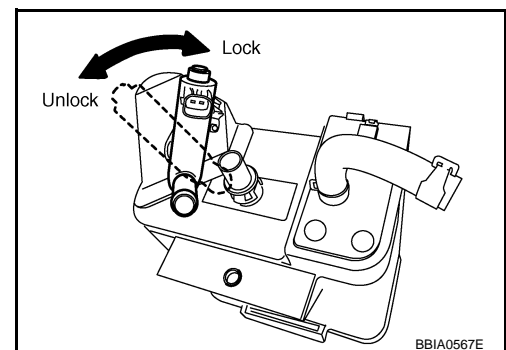


: N-m (kg-m, in-lb)

#### EVAP CANISTER VENT CONTROL VALVE

1. Turn EVAP canister vent control valve counterclockwise.
2. Remove the EVAP canister vent control valve.

**Always replace O-ring with a new one.**



# SERVICE DATA AND SPECIFICATIONS (SDS)

< SERVICE DATA AND SPECIFICATIONS (SDS)

[VK56DE]

## SERVICE DATA AND SPECIFICATIONS (SDS)

### SERVICE DATA AND SPECIFICATIONS (SDS)

#### Fuel Pressure

INFOID:000000003936886

Fuel pressure at idling kPa (kg/cm <sup>2</sup> , psi)	Approximately 350 (3.57, 51)
--	------------------------------

#### Idle Speed and Ignition Timing

INFOID:000000003936887

Target idle speed	No-load* (in the P or N position)	650 ± 50 rpm
Air conditioner: ON	In the P or N position	700 rpm or more
Ignition timing	In the P or N position	15° ± 5°BTDC

\*: Under the following conditions:

- Air conditioner switch: OFF
- Electric load: OFF (Lights, rear window defogger and heater fan)
- Steering wheel: Kept in straight-ahead position

#### Calculated Load Value

INFOID:000000003936888

Condition	Calculated load value (%) (Using CONSULT-III or GST)
At idle	14.0 - 33.0
At 2,500 rpm	12.0 - 25.0

#### Mass Air Flow Sensor

INFOID:000000003936889

Supply voltage	Battery voltage (11 - 14 V)
Output voltage at idle	1.0 - 1.3 V*
Mass air flow (Using CONSULT-III or GST)	3.0 - 9.0 g·m/sec at idle* 9.0 - 28.0 g·m/sec at 2,500 rpm*

\*: Engine is warmed up to normal operating temperature and running under no load.

#### Intake Air Temperature Sensor

INFOID:000000003936890

Temperature [°C (°F)]	Resistance (kΩ)
25 (77)	1.800 - 2.200

#### Engine Coolant Temperature Sensor

INFOID:000000003936891

Temperature [°C (°F)]	Resistance (kΩ)
20 (68)	2.1 - 2.9
50 (122)	0.68 - 1.00
90 (194)	0.236 - 0.260

#### A/F Sensor 1 Heater

INFOID:000000003936892

Resistance [at 25°C (77°F)]	1.98 - 2.66 Ω
-----------------------------	---------------



# SERVICE DATA AND SPECIFICATIONS (SDS)

< SERVICE DATA AND SPECIFICATIONS (SDS)

[VK56DE]

## Heated Oxygen sensor 2 Heater

INFOID:000000003936893

A

Resistance [at 25°C (77°F)]	8 - 10 Ω
-----------------------------	----------

## Crankshaft Position Sensor (POS)

INFOID:000000003936894

EC

Refer to [EC-689, "Component Inspection"](#).

## Camshaft Position Sensor (PHASE)

INFOID:000000003936895

C

Refer to [EC-693, "Component Inspection"](#).

## Throttle Control Motor

INFOID:000000003936896

D

Resistance [at 25°C (77°F)]	Approximately 1 - 15 Ω
-----------------------------	------------------------

E

## Fuel Injector

INFOID:000000003936897

F

Resistance [at 10 - 60°C (50 - 140°F)]	11.1 - 14.5 Ω
--	---------------

## Fuel Pump

INFOID:000000003936898

G

Resistance [at 25°C (77°F)]	0.2 - 5.0 Ω
-----------------------------	-------------

H

I

J

K

L

M

N

O

P