

SECTION **INL**

INTERIOR LIGHTING SYSTEM

A
B
C
D
E
F
G
H
I
J
K
INL
M
N
O
P

CONTENTS

<p>BASIC INSPECTION 3</p> <p>DIAGNOSIS AND REPAIR WORKFLOW 3</p> <p style="padding-left: 20px;">Work Flow3</p> <p>FUNCTION DIAGNOSIS 6</p> <p>INTERIOR ROOM LAMP CONTROL SYSTEM 6</p> <p style="padding-left: 20px;">System Diagram6</p> <p style="padding-left: 20px;">System Description6</p> <p style="padding-left: 20px;">Component Parts Location7</p> <p style="padding-left: 20px;">Component Description8</p> <p>ILLUMINATION CONTROL SYSTEM 9</p> <p style="padding-left: 20px;">System Diagram9</p> <p style="padding-left: 20px;">System Description9</p> <p style="padding-left: 20px;">Component Parts Location10</p> <p style="padding-left: 20px;">Component Description10</p> <p>DIAGNOSIS SYSTEM (BCM)11</p> <p>COMMON ITEM11</p> <p style="padding-left: 20px;">COMMON ITEM : CONSULT-III Function (BCM - COMMON ITEM) 11</p> <p>INT LAMP11</p> <p style="padding-left: 20px;">INT LAMP : CONSULT-III Function (BCM - INT LAMP) 12</p> <p>BATTERY SAVER13</p> <p style="padding-left: 20px;">BATTERY SAVER : CONSULT-III Function (BCM - BATTERY SAVER) 13</p> <p>COMPONENT DIAGNOSIS15</p> <p>POWER SUPPLY AND GROUND CIRCUIT15</p> <p>BCM15</p> <p style="padding-left: 20px;">BCM : Diagnosis Procedure 15</p> <p>BATTERY SAVER OUTPUT/POWER SUPPLY CIRCUIT16</p>	<p style="padding-left: 20px;">Description16</p> <p style="padding-left: 20px;">Component Function Check16</p> <p style="padding-left: 20px;">Diagnosis Procedure16</p> <p>INTERIOR ROOM LAMP CONTROL CIRCUIT18</p> <p style="padding-left: 20px;">Description18</p> <p style="padding-left: 20px;">Component Function Check18</p> <p style="padding-left: 20px;">Diagnosis Procedure18</p> <p>CARGO LAMP CONTROL CIRCUIT20</p> <p style="padding-left: 20px;">Description20</p> <p style="padding-left: 20px;">Component Function Check20</p> <p style="padding-left: 20px;">Diagnosis Procedure20</p> <p>IGNITION KEYHOLE ILLUMINATION CONTROL CIRCUIT22</p> <p style="padding-left: 20px;">Description22</p> <p style="padding-left: 20px;">Component Function Check22</p> <p style="padding-left: 20px;">Diagnosis Procedure22</p> <p>INTERIOR ROOM LAMP CONTROL SYSTEM24</p> <p style="padding-left: 20px;">Wiring Diagram24</p> <p>ILLUMINATION35</p> <p style="padding-left: 20px;">Wiring Diagram35</p> <p>ECU DIAGNOSIS49</p> <p>BCM (BODY CONTROL MODULE)49</p> <p style="padding-left: 20px;">Reference Value49</p> <p style="padding-left: 20px;">Terminal Layout52</p> <p style="padding-left: 20px;">Physical Values52</p> <p style="padding-left: 20px;">Wiring Diagram58</p> <p style="padding-left: 20px;">DTC Inspection Priority Chart61</p> <p style="padding-left: 20px;">DTC Index62</p> <p>SYMPTOM DIAGNOSIS64</p> <p>INTERIOR LIGHTING SYSTEM SYMPTOMS ...64</p> <p style="padding-left: 20px;">Symptom Table64</p>
--	--

PRECAUTION	65	INTERIOR ROOM LAMP	67
PRECAUTIONS	65	Removal and Installation	67
Supplemental Restraint System (SRS) "AIR BAG" and "SEAT BELT PRE-TENSIONER"	65	ILLUMINATION	70
Precaution Necessary for Steering Wheel Rota- tion After Battery Disconnect	65	Removal and Installation	70
General precautions for service operations	65	SERVICE DATA AND SPECIFICATIONS (SDS)	72
ON-VEHICLE REPAIR	67	BULB SPECIFICATIONS	72
		Interior Lamp/Illumination	72

DIAGNOSIS AND REPAIR WORKFLOW

< BASIC INSPECTION >

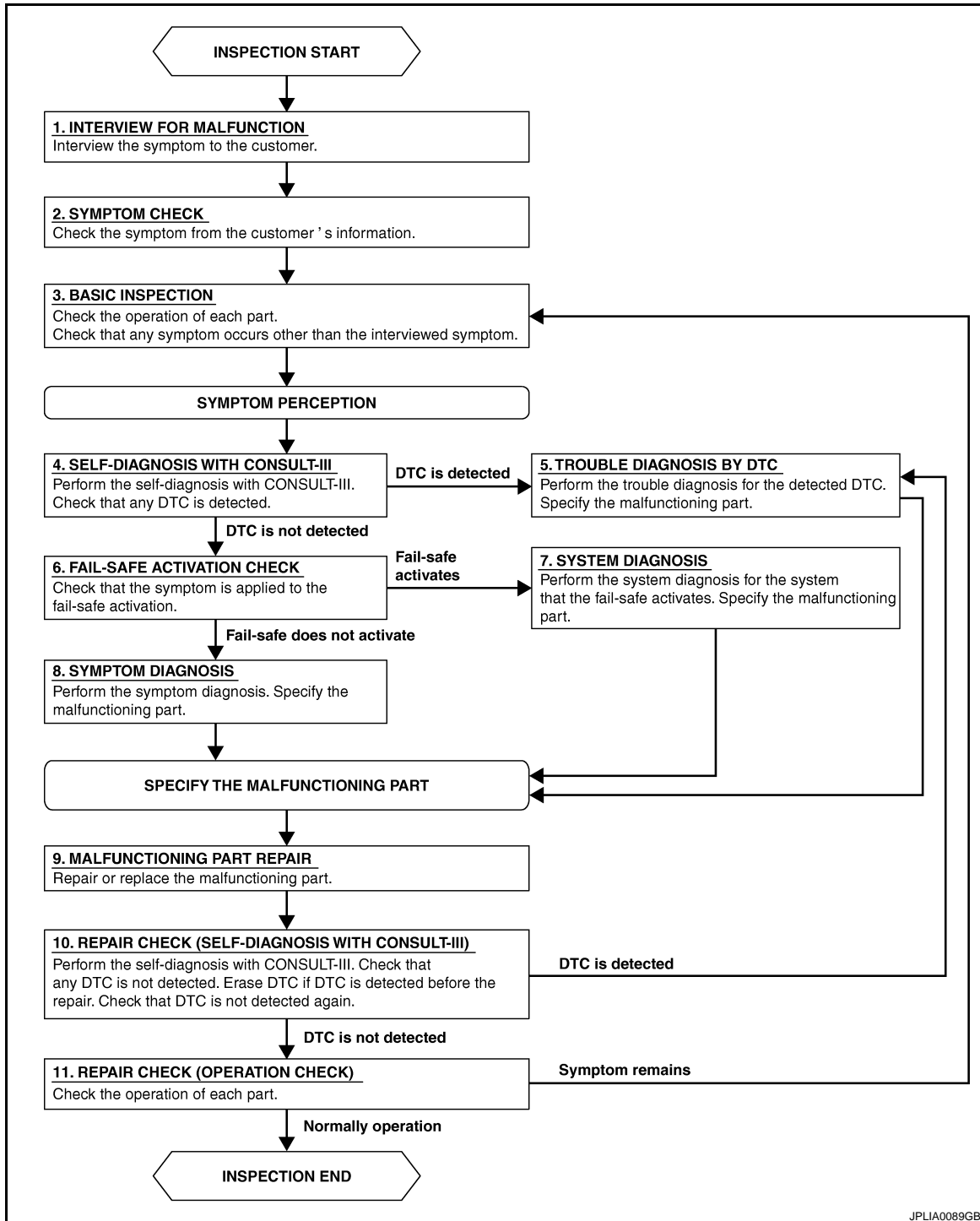
BASIC INSPECTION

DIAGNOSIS AND REPAIR WORKFLOW

Work Flow

INFOID:000000003938838

OVERALL SEQUENCE



A
B
C
D
E
F
G
H
I
J
K
L
M
N
O
P

INL

DIAGNOSIS AND REPAIR WORKFLOW

< BASIC INSPECTION >

DETAILED FLOW

1. INTERVIEW FOR MALFUNCTION

Find out what the customer's concerns are.

>> GO TO 2

2. SYMPTOM CHECK

Verify the symptom from the customer's information.

>> GO TO 3

3. BASIC INSPECTION

Check the operation of each part. Check that any concerns occur other than those mentioned in the customer interview.

>> GO TO 4

4. SELF-DIAGNOSIS WITH CONSULT-III

Perform the self-diagnosis with CONSULT-III. Check that any DTC is detected.

Is any DTC detected?

YES >> GO TO 5

NO >> GO TO 6

5. TROUBLE DIAGNOSIS BY DTC

Perform the trouble diagnosis for the detected DTC. Specify the malfunctioning part.

>> GO TO 9

6. FAIL-SAFE ACTIVATION CHECK

Determine if the customer's concern is related to fail-safe activation.

Does the fail-safe activate?

YES >> GO TO 7

NO >> GO TO 8

7. SYSTEM DIAGNOSIS

Perform the system diagnosis for the system in which fail-safe activates. Specify the malfunctioning part.

>> GO TO 9

8. SYMPTOM DIAGNOSIS

Perform the symptom diagnosis. Specify the malfunctioning part.

>> GO TO 9

9. MALFUNCTION PART REPAIR

Repair or replace the malfunctioning part.

>> GO TO 10

10. REPAIR CHECK (SELF-DIAGNOSIS WITH CONSULT-III)

Perform the self-diagnosis with CONSULT-III. Verified that no DTCs are detected. Erase all DTCs detected prior to the repair. Verify that DTC is not detected again.

Is any DTC detected?

YES >> GO TO 5

DIAGNOSIS AND REPAIR WORKFLOW

< BASIC INSPECTION >

NO >> GO TO 11

11.REPAIR CHECK (OPERATION CHECK)

Check the operation of each part.

Does it operate normally?

YES >> Inspection End

NO >> GO TO 3

A

B

C

D

E

F

G

H

I

J

K

INL

M

N

O

P

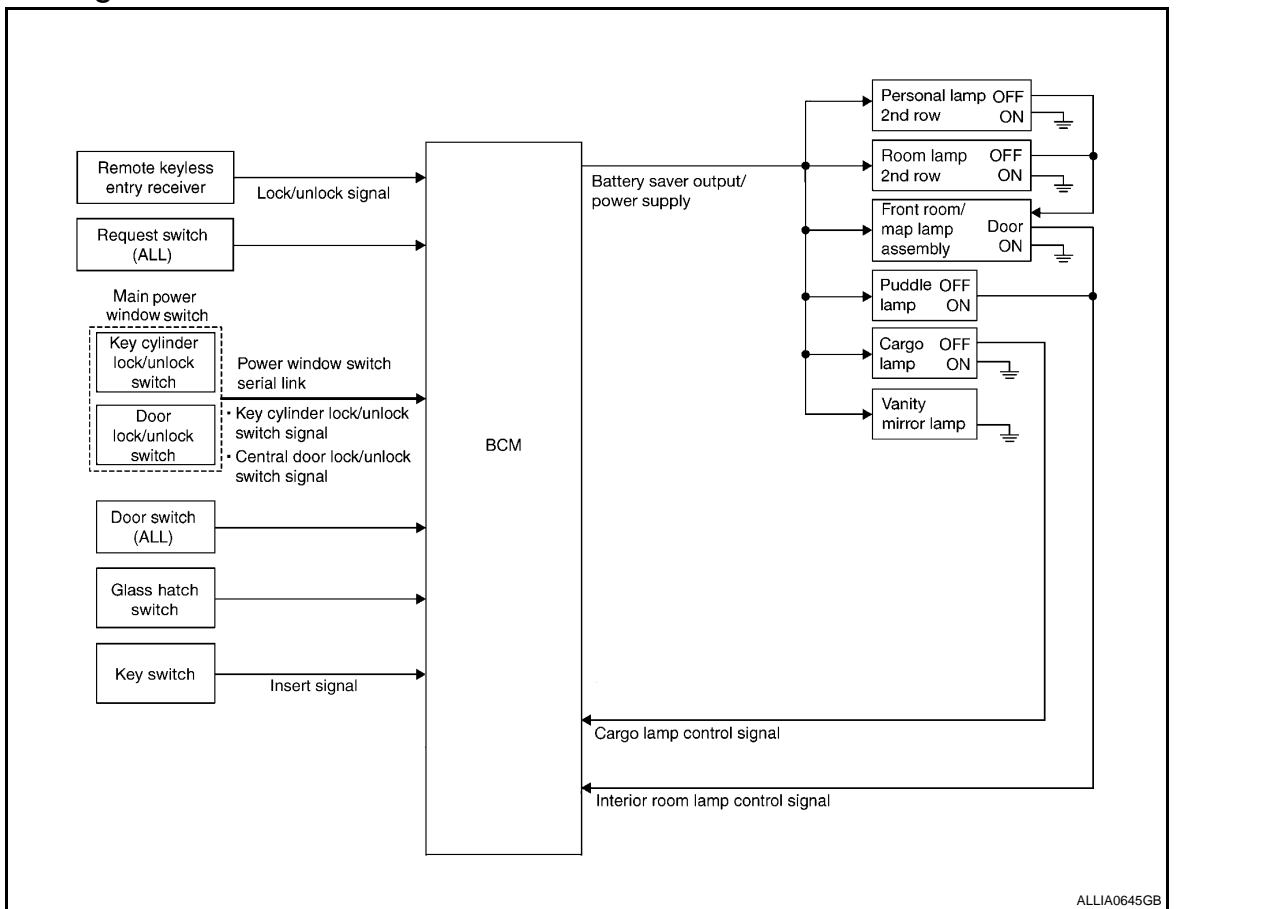
INTERIOR ROOM LAMP CONTROL SYSTEM

< FUNCTION DIAGNOSIS >

FUNCTION DIAGNOSIS

INTERIOR ROOM LAMP CONTROL SYSTEM

System Diagram



System Description

INFOID:000000003938840

OUTLINE

- Interior room lamps* are controlled by the interior room lamp timer control function of the BCM.
*Front room/map lamp, personal lamp 2nd row (with rear map lamps) or room lamp 2nd row (without rear map lamps).
 - Cargo lamp is controlled by the cargo lamp control function of the BCM.
- The timer control functions of the BCM activate based on inputs from the remote keyless entry receiver, the key cylinder lock/unlock switch, the door switches, the key switch (without Intelligent Key) or the key switch and ignition knob switch (with Intelligent Key).

ROOM LAMP TIMER OPERATION

When the interior room lamp switch is in the DOOR position and when all conditions below are met, the BCM begins timer control (maximum 30 seconds) for interior room lamp ON/OFF.

- When the front door LH is unlocked [with Intelligent Key, main power window and door lock/unlock switch, or front door lock assembly (key cylinder switch)].
- When a door opens → closes and the Intelligent Key is not inserted in the key slot.

Timer control is cancelled under the following conditions.

- When the front door LH is locked [with Intelligent Key, main power window and door lock/unlock switch, or front door lock assembly (key cylinder switch)].
- A door is opened (door switch turns ON).
- Intelligent Key is inserted into the key slot.

Interior lamp operational settings can be changed with the function setting of CONSULT-III.

INTERIOR ROOM LAMP CONTROL SYSTEM

< FUNCTION DIAGNOSIS >

INTERIOR LAMP BATTERY SAVER CONTROL

If an interior lamp is left ON and does not turn OFF even when the doors are closed, the BCM turns off power to the interior lamps automatically to save the battery 30 minutes after the ignition switch is turned OFF. The BCM controls power and ground to all interior lamps.

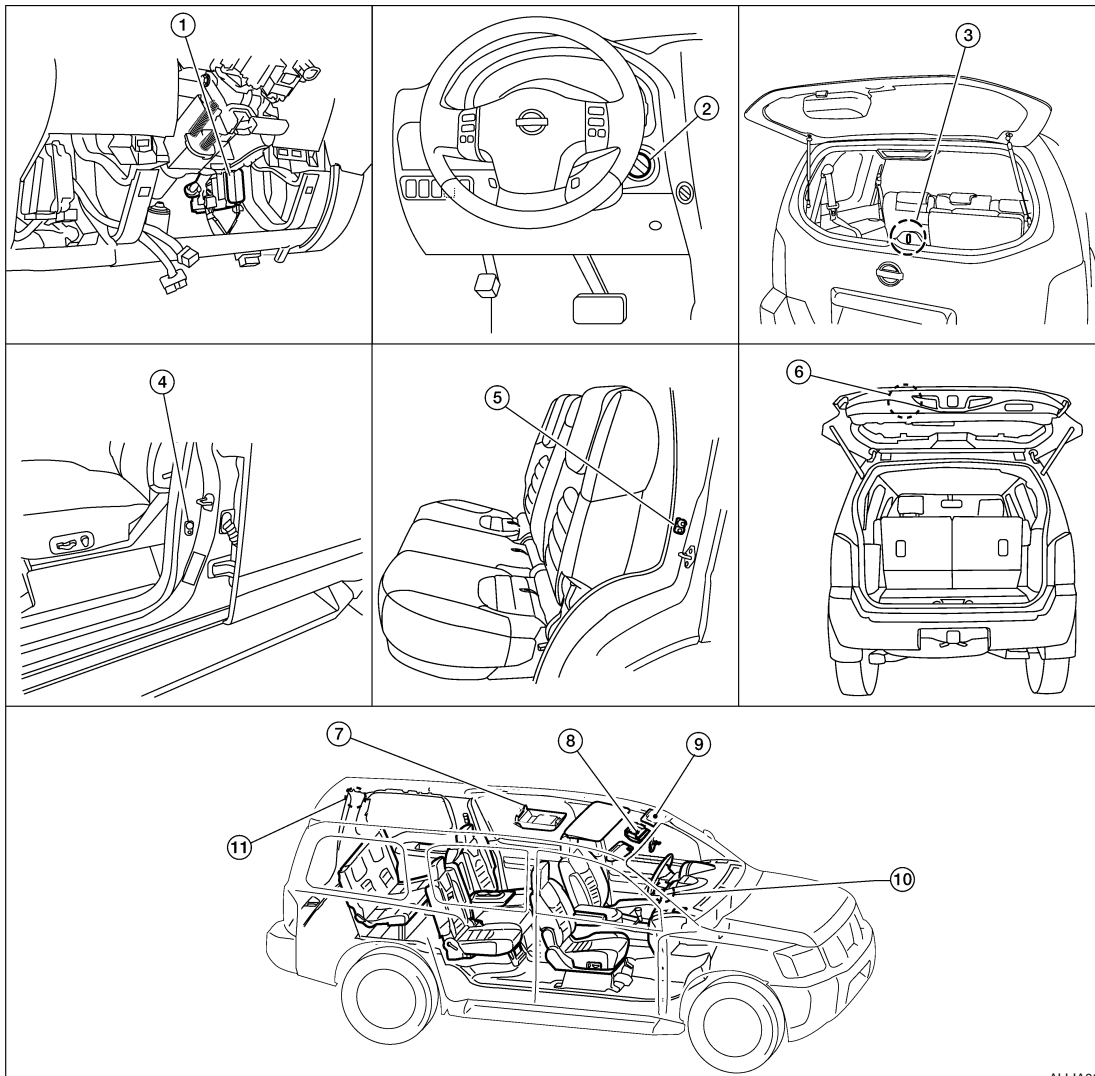
After the battery saver system turns the lamps OFF, the lamps will illuminate again when

- a signal is received from an Intelligent Key or main power window and door lock/unlock switch, or when the front door LH lock assembly (key cylinder switch) is locked or unlocked
- a door is opened or closed
- the Intelligent Key is removed from or inserted into the key slot.

The Interior lamp battery saver control time period can be changed with the function setting of CONSULT-III.

Component Parts Location

INFOID:000000003938841



- | | | |
|---|---|--|
| 1. BCM M18, M19, M20 (view with instrument panel removed) | 2. Key switch and ignition knob switch (with Intelligent Key) M66
Key switch (without Intelligent Key) M27 | 3. Glass hatch ajar switch D503 |
| 4. Front door switch LH B8
Front door switch RH B108 | 5. Rear door switch LH B18
Rear door switch RH B116 | 6. Back door latch (door ajar switch) D502 |

INTERIOR ROOM LAMP CONTROL SYSTEM

< FUNCTION DIAGNOSIS >

- | | | |
|--|------------------------------------|---|
| 7. Personal lamp 2nd row (with personal lamp 2nd row) R10
Room lamp 2nd row (without personal lamp 2nd row) R12 | 8. Front room/map lamp assembly R9 | 9. Vanity lamp LH (with vanity lamps) B80
Vanity lamp RH (with vanity lamps) B81 |
| 10. Ignition keyhole illumination M150 | 11. Cargo lamp R11 | |

Component Description

INFOID:000000003938842

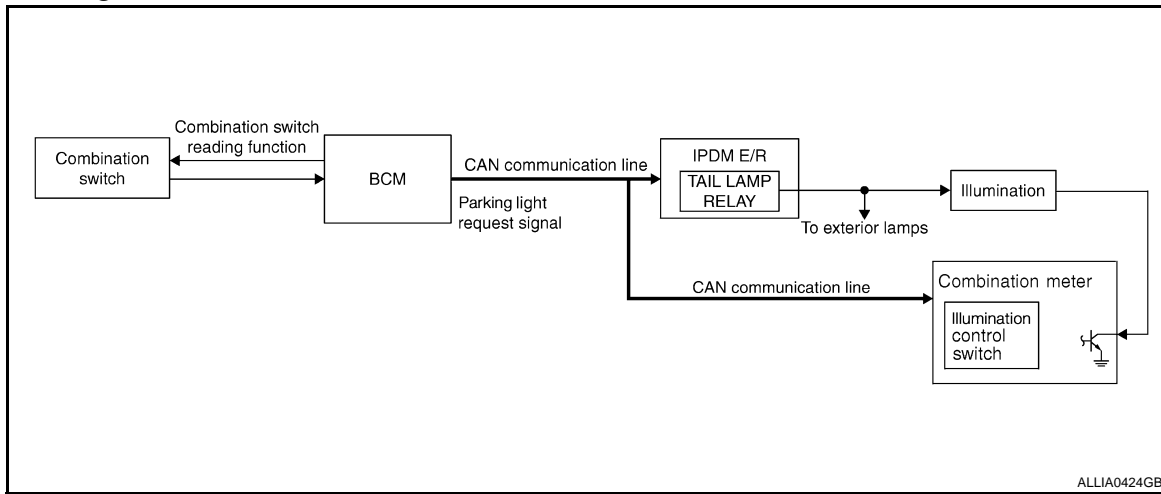
Part name	Description
BCM	Provides power and ground and controls timer functions for the interior room lamps, step lamps and cargo lamp.
Key switch and ignition knob switch (with Intelligent Key)	Provides key in ignition status to the BCM.
Key switch (without Intelligent Key)	
Door switches	Provides door OPEN/CLOSED status to the BCM.
Glass hatch ajar switch	Provides glass hatch OPEN/CLOSED status to the BCM.
Back door latch (door ajar switch)	Provides back door OPEN/CLOSED status to the BCM.
Power window and door lock/unlock switch RH	Provides door lock/unlock position switch RH status to the BCM.
Main power window and door lock/unlock switch	Provides door lock/unlock position switch LH status to the BCM.
Front door lock assembly LH (key cylinder switch)	

ILLUMINATION CONTROL SYSTEM

< FUNCTION DIAGNOSIS >

ILLUMINATION CONTROL SYSTEM

System Diagram



System Description

INFOID:000000003938844

The illumination lamps operation is dependent upon the position of the lighting switch (combination switch). When the lighting switch is placed in the 1ST or 2ND position (or if the auto light system is activated) the BCM (body control module) receives input requesting the parking lamps to illuminate. This input is communicated to the IPDM E/R (intelligent power distribution module engine room) via the CAN communication lines. The CPU (central processing unit) of the IPDM E/R controls the tail lamp relay coil. When energized, this relay directs power to the parking and illumination lamps, which then illuminate.

BATTERY SAVER CONTROL

When the lighting switch (combination switch) is in the 1ST or 2ND position and the ignition switch is turned from ON or ACC to OFF, the battery saver control feature is activated. Under this condition, the illumination lamps remain illuminated for 30 minutes unless the lighting switch position is changed. If the lighting switch position is changed, then the illumination lamps are turned off after a 30 second delay. When the lighting switch is turned from OFF to 1ST or 2ND position (or if auto light system is activated) after illumination lamps have been turned off by the battery saver control, the illumination lamps illuminate again.

A
B
C
D
E
F
G
H
I
J
K
L
M
N
O
P

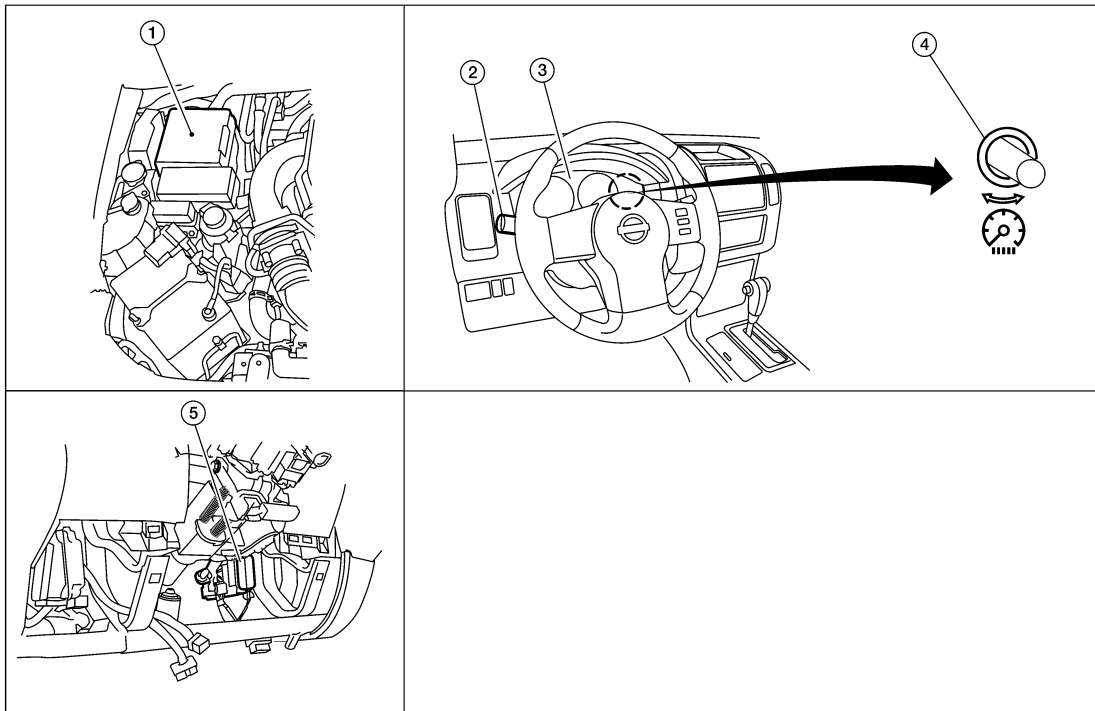
INL

ILLUMINATION CONTROL SYSTEM

< FUNCTION DIAGNOSIS >

Component Parts Location

INFOID:000000003938845



WKIA4973E

1. IPDM E/R E122, E124
2. Combination switch M28
3. Combination meter M24
4. Illumination control switch (built into combination meter)
5. BCM M18, M20 (view with instrument panel removed)

Component Description

INFOID:000000003938846

Part name	Description
BCM	The BCM monitors the lighting switch position with the combination switch reading function. The BCM requests, via CAN communication, that the IPDM E/R activate the tail lamp relay.
IPDM E/R	The IPDM E/R activates the tail lamp relay based on inputs received from the BCM via the CAN communication network.
Combination meter (illumination control switch)	The illumination control switch is a part of the combination meter. The combination meter controls illumination intensity by varying ground to the illumination lamps based on the illumination control switch position.
Combination switch	The combination switch provides input to the BCM about the lighting switch position.

DIAGNOSIS SYSTEM (BCM)

< FUNCTION DIAGNOSIS >

DIAGNOSIS SYSTEM (BCM)

COMMON ITEM

COMMON ITEM : CONSULT-III Function (BCM - COMMON ITEM)

INFOID:000000004404641

APPLICATION ITEM

CONSULT-III performs the following functions via CAN communication with BCM.

Diagnosis mode	Function Description
WORK SUPPORT	Changes the setting for each system function.
SELF-DIAG RESULTS	Displays the diagnosis results judged by BCM. Refer to INL-62, "DTC Index" .
CAN DIAG SUPPORT MNTR	Monitors the reception status of CAN communication viewed from BCM.
DATA MONITOR	The BCM input/output signals are displayed.
ACTIVE TEST	The signals used to activate each device are forcibly supplied from BCM.
ECU IDENTIFICATION	The BCM part number is displayed.
CONFIGURATION	<ul style="list-style-type: none"> Enables to read and save the vehicle specification. Enables to write the vehicle specification when replacing BCM.

SYSTEM APPLICATION

BCM can perform the following functions for each system.

NOTE:

It can perform the diagnosis modes except the following for all sub system selection items.

System	Sub system selection item	Diagnosis mode		
		WORK SUPPORT	DATA MONITOR	ACTIVE TEST
BCM	BCM	×		
Door lock	DOOR LOCK	×	×	×
Rear window defogger	REAR DEFOGGER		×	×
Warning chime	BUZZER		×	×
Interior room lamp timer	INT LAMP	×	×	×
Remote keyless entry system ¹	MULTI REMOTE ENT	×	×	×
Exterior lamp	HEAD LAMP	×	×	×
Wiper and washer	WIPER	×	×	×
Turn signal and hazard warning lamps	FLASHER		×	×
Air conditioner	AIR CONDITONER		×	
Intelligent Key system ²	INTELLIGENT KEY		×	
Combination switch	COMB SW		×	
Immobilizer	IMMU		×	×
Interior room lamp battery saver	BATTERY SAVER	×	×	×
Back door open	TRUNK		×	×
Theft alarm	THEFT ALM	×	×	×
RAP (retained accessory power)	RETAINED PWR	×	×	×
Signal buffer system	SIGNAL BUFFER		×	×
TPMS (tire pressure monitoring system)	AIR PRESSURE MONITOR	×	×	×
Vehicle security system	PANIC ALARM			×

1: With remote keyless entry system

2: With Intelligent Key

INT LAMP

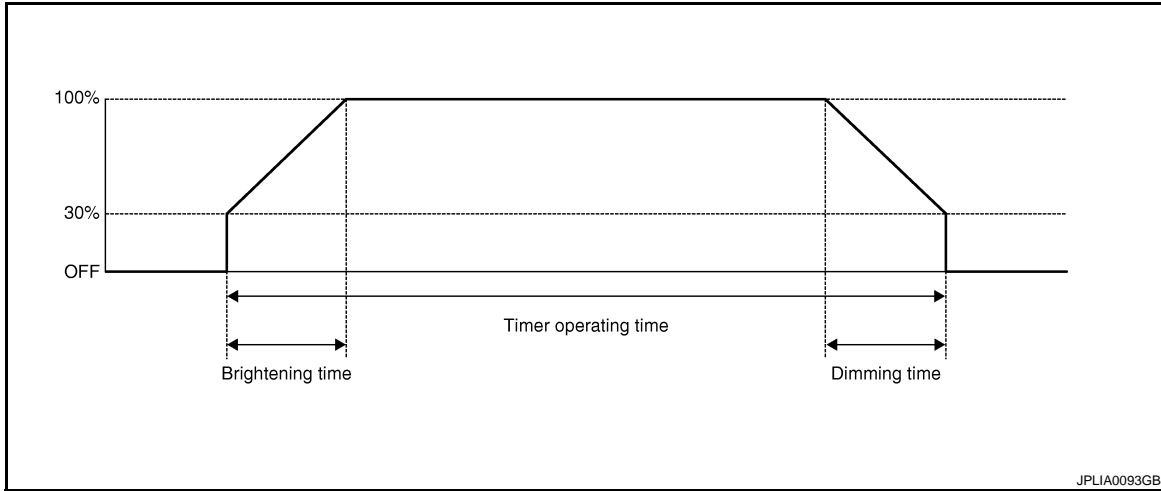
DIAGNOSIS SYSTEM (BCM)

< FUNCTION DIAGNOSIS >

INT LAMP : CONSULT-III Function (BCM - INT LAMP)

INFOID:000000004404642

WORK SUPPORT



Work Item	Setting item	Setting	
SET I/L D-UNLCK INTCON	ON*	With the interior room lamp timer function	
	OFF	Without the interior room lamp timer function	
ROOM LAMP ON TIME SET	MODE 1	0.5 sec.	Sets the interior room lamp gradual brightening time.
	MODE 2*	1 sec.	
	MODE 3	2 sec.	
	MODE 4	3 sec.	
	MODE 5	0 sec.	
ROOM LAMP OFF TIME SET	MODE 1	0.5 sec.	Sets the interior room lamp gradual dimming time.
	MODE 2	1 sec.	
	MODE 3	2 sec.	
	MODE 4*	3 sec.	
	MODE 5	0 sec.	

* : Initial setting

DATA MONITOR

Monitor Item [Unit]	Description
IGN ON SW [ON/OFF]	Ignition switch (ON) status judges from IGN signal (ignition power supply)
KEY ON SW [ON/OFF]	The switch status input from key switch
DOOR SW-DR [ON/OFF]	The switch status input from front door switch LH
DOOR SW-AS [ON/OFF]	The switch status input from front door switch RH
DOOR SW-RR [ON/OFF]	The switch status input from rear door switch RH
DOOR SW- RL [ON/OFF]	The switch status input from rear door switch LH
BACK DOOR SW [ON/OFF]	The switch status input from back door switch
KEY CYL LK-SW [ON/OFF]	Lock switch status input from door lock and unlock switch
KEY CYL UN-SW [ON/OFF]	Lock switch status input from door lock and unlock switch
CDL LOCK SW [ON/OFF]	Lock switch status input from door lock and unlock switch
CDL UNLOCK SW [ON/OFF]	Unlock switch status input from door lock and unlock switch
KEYLESS LOCK ¹ [ON/OFF]	Lock signal status received from remote keyless entry receiver (integrated in the BCM)

DIAGNOSIS SYSTEM (BCM)

< FUNCTION DIAGNOSIS >

Monitor Item [Unit]	Description
KEYLESS UNLOCK ¹ [ON/OFF]	Unlock signal status received from remote keyless entry receiver (integrated in the BCM)
I-KEY LOCK ² [ON/OFF]	Lock signal status received from Intelligent Key unit by CAN communication
I-KEY UNLOCK ² [ON/OFF]	Unlock signal status received from Intelligent Key unit by CAN communication

1: With remote keyless entry

2: With Intelligent Key

ACTIVE TEST

Test Item	Operation	Description
INT LAMP	ON	Outputs the interior room lamp control signal to turn the interior room lamps ON.
	OFF	Stops the interior room lamp control signal to turn the interior room lamps OFF.
IGN ILLUM	ON	Outputs the ignition keyhole illumination control signal to turn the ignition keyhole illumination lamp ON.
	OFF	Stops the ignition keyhole illumination control signal to turn the ignition keyhole illumination lamp OFF.
STEP LAMP TEST	ON	Outputs the step lamp control signal to turn the step lamps ON.
	OFF	Stops the step lamp control signal to turn the step lamps OFF.
LUGGAGE LAMP TEST	ON	Outputs the luggage lamp control signal to turn the luggage lamp ON.
	OFF	Stops the luggage lamp control signal to turn the luggage lamp OFF.

BATTERY SAVER

BATTERY SAVER : CONSULT-III Function (BCM - BATTERY SAVER)

INFOID:0000000004404643

WORK SUPPORT

Work Item	Setting Item	Setting
ROOM LAMP TIMER SET	MODE 1*	15 min.
	MODE 2	30 min.

*: Initial setting

DATA MONITOR

Monitor Item [Unit]	Description
IGN ON SW [ON/OFF]	Ignition switch (ON) status judges from IGN signal (ignition power supply)
KEY ON SW [ON/OFF]	The switch status input from key switch
DOOR SW-DR [ON/OFF]	The switch status input from front door switch (driver side)
DOOR SW-AS [ON/OFF]	The switch status input from front door switch (passenger side)
DOOR SW-RR [ON/OFF]	The switch status input from rear door switch RH
DOOR SW- RL [ON/OFF]	The switch status input from rear door switch LH
BACK DOOR SW [ON/OFF]	The switch status input from back door switch
KEY CYL LK-SW [ON/OFF]	Lock switch status input from door key cylinder switch
KEY CYL UN-SW [ON/OFF]	Unlock switch status input from door key cylinder switch
CDL LOCK SW [ON/OFF]	Lock switch status input from door lock and unlock switch
CDL UNLOCK SW [ON/OFF]	Unlock switch status input from door lock and unlock switch
I-KEY LOCK ¹ [ON/OFF]	Lock signal status received from Intelligent Key unit by CAN communication
I-KEY UNLOCK ¹ [ON/OFF]	Unlock signal status received from Intelligent Key unit by CAN communication

DIAGNOSIS SYSTEM (BCM)

< FUNCTION DIAGNOSIS >

Monitor Item [Unit]	Description
KEYLESS LOCK ² [ON/OFF]	Lock signal status received from remote keyless entry receiver (integrated in the BCM)
KEYLESS UNLOCK ² [ON/OFF]	Unlock signal status received from remote keyless entry receiver (integrated in the BCM)

1: With Intelligent Key

2: With remote keyless entry

ACTIVE TEST

Test Item	Operation	Description
BATTERY SAVER	OFF	Cuts the interior room lamp power supply to turn interior room lamps OFF.
	ON	Outputs the interior room lamp power supply to turn interior room lamps ON.*

*: Each lamp switch is in ON position.

POWER SUPPLY AND GROUND CIRCUIT

< COMPONENT DIAGNOSIS >

COMPONENT DIAGNOSIS

POWER SUPPLY AND GROUND CIRCUIT

BCM

BCM : Diagnosis Procedure

INFOID:000000004404644

1. CHECK FUSES AND FUSIBLE LINK

Check that the following fuses and fusible link are not blown.

Terminal No.	Signal name	Fuses and fusible link No.
57	Battery power supply	18 (10A)
70		G (50A)
11	Ignition ACC or ON	4 (10A)
38	Ignition ON or START	1 (10A)

Is the fuse blown?

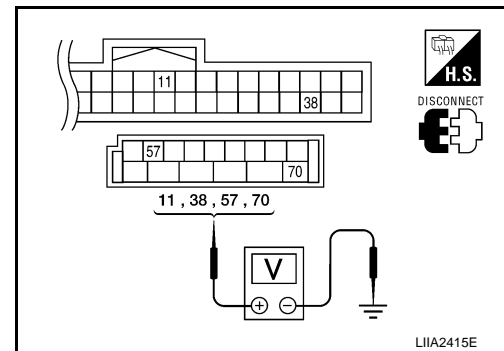
YES >> Replace the blown fuse or fusible link after repairing the affected circuit.

NO >> GO TO 2

2. CHECK POWER SUPPLY CIRCUIT

- Turn ignition switch OFF.
- Disconnect BCM.
- Check voltage between BCM harness connector and ground.

Connector	Terminals		Power source	Condition	Voltage (V) (Approx.)
	(+)	(-)			
M18	11	Ground	ACC power supply	Ignition switch ACC or ON	Battery voltage
	38	Ground	Ignition power supply	Ignition switch ON or START	Battery voltage
M20	57	Ground	Battery power supply	Ignition switch OFF	Battery voltage
	70	Ground	Battery power supply	Ignition switch OFF	Battery voltage



Is the measurement value normal?

YES >> GO TO 3

NO >> Repair or replace harness.

3. CHECK GROUND CIRCUIT

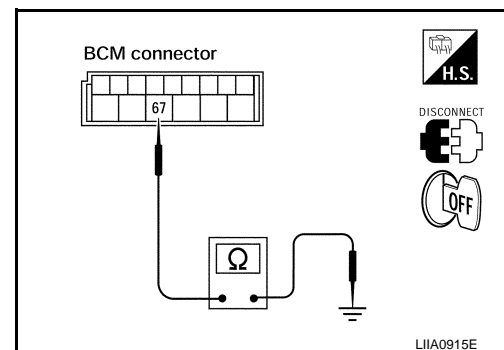
Check continuity between BCM harness connector and ground.

BCM		Ground	Continuity
Connector	Terminal		
M20	67		Yes

Does continuity exist?

YES >> Inspection End.

NO >> Repair or replace harness.



BATTERY SAVER OUTPUT/POWER SUPPLY CIRCUIT

< COMPONENT DIAGNOSIS >

BATTERY SAVER OUTPUT/POWER SUPPLY CIRCUIT

Description

INFOID:000000003938851

Provides the battery saver output/power supply. Also cuts the power supply when the interior room lamp battery saver is activating.

Component Function Check

INFOID:000000003938852

1. CHECK BATTERY SAVER OUTPUT/POWER SUPPLY FUNCTION

CONSULT-III

1. Turn ignition switch ON.
2. Turn each interior room lamp ON.
 - Front room/map lamp assembly
 - Vanity lamps (if equipped)
 - Cargo lamp
 - Personal lamp 2nd row (with personal lamp 2nd row)
 - Room lamp 2nd row (without personal lamp 2nd row)
3. Select "BATTERY SAVER" of BCM (BATTERY SAVER) active test item.
4. While operating the test item, check that each interior room lamp turns ON/OFF.

OFF : Interior room lamp OFF

ON : Interior room lamp ON

Is the inspection result normal?

YES >> Battery saver output/power supply circuit is normal.

NO >> Refer to [INL-16. "Diagnosis Procedure"](#).

Diagnosis Procedure

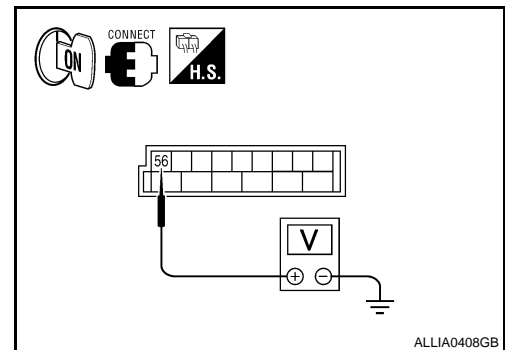
INFOID:000000003938853

1. CHECK BATTERY SAVER OUTPUT/POWER SUPPLY OUTPUT

CONSULT-III

1. Turn ignition switch ON.
2. Select "BATTERY SAVER" of BCM (BATTERY SAVER) active test item.
3. While operating the test item, check voltage between BCM connector M20 terminal 56 and ground.

(+)		(-)	Test item	Voltage
Connector	Terminal		BATTERY SAVER	
M20	56	Ground	OFF	0V
			ON	Battery voltage



ALLIA0408GB

Is the inspection result normal?

YES >> GO TO 2

NO >> Replace BCM. Refer to [BCS-59. "Removal and Installation"](#).

2. CHECK BATTERY SAVER OUTPUT/POWER SUPPLY OPEN CIRCUIT

1. Turn ignition switch OFF.
2. Disconnect the following connectors.
 - BCM M20
 - Ignition keyhole illumination
 - Front room/map lamp assembly
 - Vanity lamp LH (if equipped)
 - Vanity lamp RH (if equipped)
 - Cargo lamp
 - Personal lamp 2nd row (with personal lamp 2nd row)
 - Room lamp 2nd row (without personal lamp 2nd row)

BATTERY SAVER OUTPUT/POWER SUPPLY CIRCUIT

< COMPONENT DIAGNOSIS >

3. Check continuity between BCM connector and each interior room lamp connector.

BCM		Each interior room lamp			Continuity
Connector	Terminal	Connector		Terminal	
M20	56	Ignition keyhole illumination	M150	1	Yes
		Front room/map lamp assembly	R9	1	
		Vanity lamp LH (if equipped)	B80	1	
		Vanity lamp RH (if equipped)	B81	1	
		Cargo lamp	R11	2	
		Personal lamp 2nd row (with personal lamp 2nd row)	R10	1	
		Room lamp 2nd row (without personal lamp 2nd row)	R12	2	

Is the inspection result normal?

YES >> GO TO 3

NO >> Repair the harness or connectors.

3.CHECK BATTERY SAVER OUTPUT/POWER SUPPLY SHORT CIRCUIT

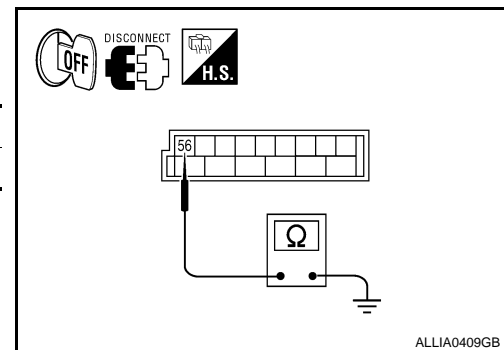
Check continuity between BCM connector M20 terminal 56 and ground.

Connector	Terminal	—	Continuity
M20	56	Ground	No

Is the inspection result normal?

YES >> Check that each interior room lamp has no internal short circuit.

NO >> Repair the harness or connectors.



A
B
C
D
E
F
G
H
I
J
K
L
M
N
O
P

INL

INTERIOR ROOM LAMP CONTROL CIRCUIT

< COMPONENT DIAGNOSIS >

INTERIOR ROOM LAMP CONTROL CIRCUIT

Description

INFOID:000000003938854

Controls the following interior room lamps (ground side) by PWM signal

- Front room/map lamp assembly
- Personal lamp 2nd row (with personal lamp 2nd row)
- Room lamp 2nd row (without personal lamp 2nd row)

NOTE:

PWM signal control period is approximately 250 Hz (in the gradual brightening/dimming).

Component Function Check

INFOID:000000003938855

CAUTION:

Before performing the diagnosis, check that the following is normal.

- Battery saver output/power supply
- Front room/map lamp bulbs
- Personal lamp 2nd row bulbs (with personal lamp 2nd row)
- Room lamp 2nd row bulbs (without personal lamp 2nd row)

1. CHECK INTERIOR ROOM LAMP CONTROL FUNCTION

CONSULT-III

1. Switch the map lamp switch to DOOR.
2. Turn ignition switch ON.
3. Select "INT LAMP" of BCM (INT LAMP) active test item.
4. While operating the test item, check that each interior room lamp turns ON/OFF (gradual brightening/dimming).

ON : Interior room lamp gradual brightening

OFF : Interior room lamp gradual dimming

Is the inspection result normal?

YES >> Interior room lamp control circuit is normal.

NO >> Refer to [INL-18, "Diagnosis Procedure"](#).

Diagnosis Procedure

INFOID:000000003938856

1. CHECK INTERIOR ROOM LAMP CONTROL OUTPUT

CONSULT-III

1. Turn ignition switch ON.
2. Select "INT LAMP" of BCM (INT LAMP) active test item.
3. While operating the test item, check voltage between BCM harness connector M20 terminal 63 and ground.

(+)		(-)	INT LAMP	Voltage
Connector	Terminal			
M20	63	Ground	ON	0V
			OFF	Battery voltage

Is the inspection result normal?

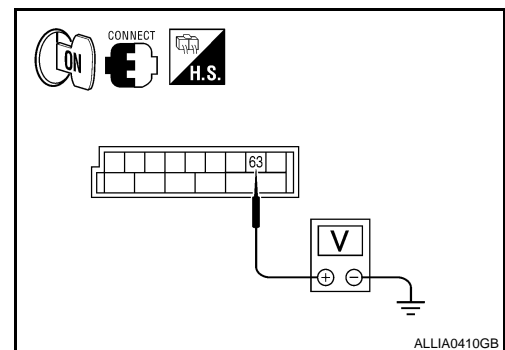
YES >> Interior room lamp control circuit is operating normally.

Fixed ON>>GO TO 3

Fixed OFF>> GO TO 2

2. CHECK INTERIOR ROOM LAMP CONTROL OPEN CIRCUIT

1. Turn ignition switch OFF.
2. Disconnect BCM connector M20, personal lamp 2nd row connector (with personal lamp 2nd row) or room lamp 2nd row connector (without personal lamp 2nd row) and front room/map lamp connector.



INTERIOR ROOM LAMP CONTROL CIRCUIT

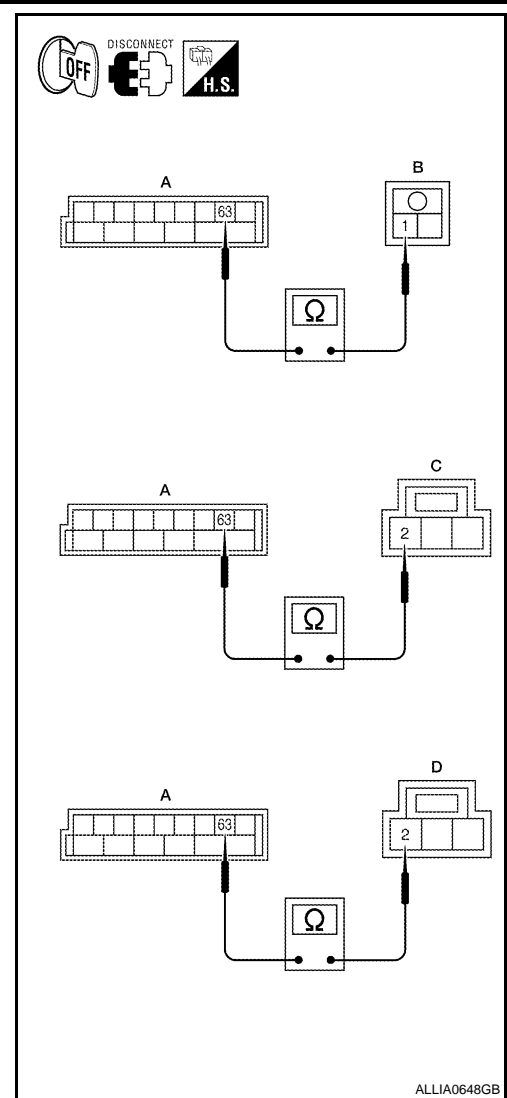
< COMPONENT DIAGNOSIS >

- Check continuity between BCM connector M20 terminal 63 and interior room lamp connectors.

Terminal		Terminal			Continuity
Connector	Terminal	Component	Connector	Terminal	
A: M20	63	Room lamp 2nd row (without personal lamp 2nd row)	B: R12	1	Yes
		Personal lamp 2nd row (with personal lamp 2nd row)	C: R10	2	
		Front room/map lamp	D: R9	2	

Is the inspection result normal?

- YES >> Check interior room lamps for an open. If OK, replace BCM. Refer to [BCS-59, "Removal and Installation"](#). If NG, replace interior room lamp. Refer to [INL-67, "Removal and Installation"](#).
- NO >> Repair the harness or connectors.



ALLIA0648GB

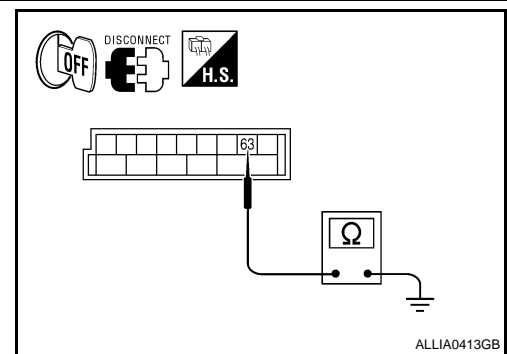
3. CHECK INTERIOR ROOM LAMP CONTROL SHORT CIRCUIT

- Turn ignition switch OFF.
- Disconnect BCM connector M20, personal lamps 2nd row connector (with personal lamp 2nd row) or room lamp 2nd row connector (without personal lamp 2nd row).
- Check continuity between BCM connector and ground.

Connector	Terminal	—	Continuity
M20	63	Ground	No

Is the inspection result normal?

- YES >> Check interior room lamps for a short circuit. If OK, replace BCM. Refer to [BCS-59, "Removal and Installation"](#). If NG, replace interior room lamp. Refer to [INL-67, "Removal and Installation"](#).
- NO >> Repair the harness or connectors.



ALLIA0413GB

A
B
C
D
E
F
G
H
I
J
K
M
N
O
P

INL

CARGO LAMP CONTROL CIRCUIT

< COMPONENT DIAGNOSIS >

CARGO LAMP CONTROL CIRCUIT

Description

INFOID:000000003938857

Controls the cargo lamp (ground side) to turn the cargo lamp ON and OFF.

Component Function Check

INFOID:000000003938858

CAUTION:

Before performing the diagnosis, check that the following is normal.

- Battery saver output/power supply
- Cargo lamp bulb

1. CHECK CARGO LAMP OPERATION

CONSULT-III

1. Turn ignition switch ON.
2. Select "LUGGAGE LAMP TEST" of BCM (INT LAMP) active test item.
3. While operating the test item, check that cargo lamp turns ON/OFF.

ON : Cargo lamp ON

OFF : Cargo lamp OFF

Is the inspection result normal?

- YES >> Cargo lamp circuit is normal.
 NO >> Refer to [INL-20, "Diagnosis Procedure"](#).

Diagnosis Procedure

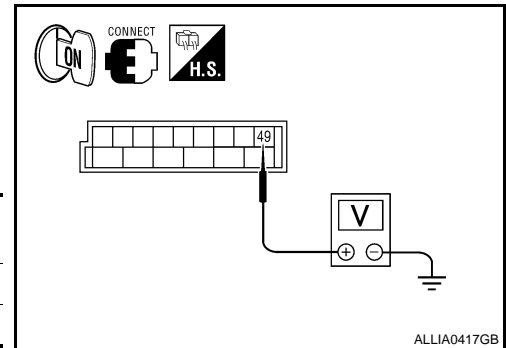
INFOID:000000003938859

1. CHECK CARGO LAMP OUTPUT

CONSULT-III

1. Turn ignition switch ON.
2. Select "LUGGAGE LAMP TEST" of BCM (INT LAMP) active test item.
3. While operating the test item, check voltage between BCM connector M19 terminal 49 and ground.

Connector	Terminal	—	LUGGAGE LAMP TEST	Voltage
M19	49	Ground	ON	0V
			OFF	Battery voltage



ALLIA0417GB

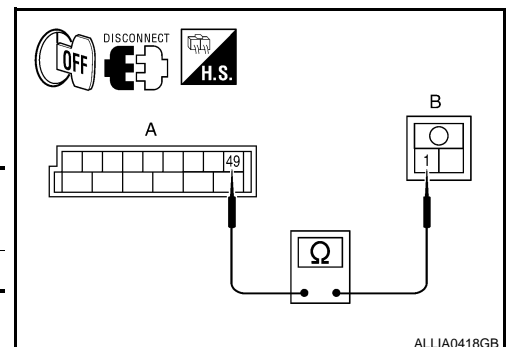
Is the inspection result normal?

- YES >> Cargo lamp control circuit is operating normally.
 Fixed ON >> GO TO 3
 Fixed OFF >> GO TO 2

2. CHECK CARGO LAMP OPEN CIRCUIT

1. Turn ignition switch OFF.
2. Disconnect BCM connector M19 and cargo lamp connector.
3. Check continuity between BCM connector M19 (A) terminal 49 and cargo lamp connector R11 (B) terminal 1.

BCM		Cargo lamp		Continuity
Connector	Terminal	Connector	Terminal	
M19 (A)	49	R11 (B)	1	Yes



ALLIA0418GB

Is the inspection result normal?

CARGO LAMP CONTROL CIRCUIT

< COMPONENT DIAGNOSIS >

- YES >> Check cargo lamp for an open. If OK, replace BCM. Refer to [BCS-59, "Removal and Installation"](#).
 If NG, replace cargo lamp. Refer to [INL-70, "Removal and Installation"](#).
- NO >> Repair harness or connectors.

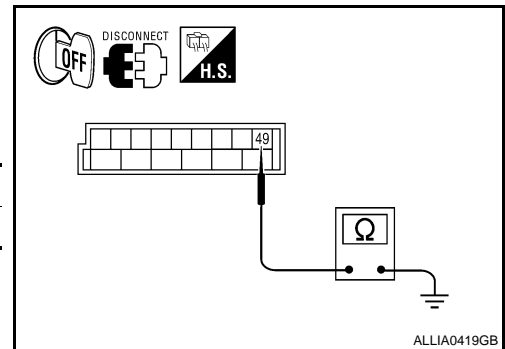
3. CHECK CARGO LAMP SHORT CIRCUIT

1. Turn ignition switch OFF.
2. Disconnect BCM connector M19 and cargo lamp connector R11.
3. Check continuity between BCM connector M19 terminal 49 and ground.

Connector	Terminal	—	Continuity
M19	49	Ground	No

Is the inspection result normal?

- YES >> Check cargo lamp for a short circuit. If OK, replace BCM. Refer to [BCS-59, "Removal and Installation"](#). If NG, replace cargo lamp. Refer to [INL-70, "Removal and Installation"](#).
- NO >> Repair harness or connectors.



A
B
C
D
E
F
G
H
I
J
K
M
N
O
P

INL

IGNITION KEYHOLE ILLUMINATION CONTROL CIRCUIT

< COMPONENT DIAGNOSIS >

IGNITION KEYHOLE ILLUMINATION CONTROL CIRCUIT

Description

INFOID:000000003938860

Controls the ignition keyhole illumination (ground side) to turn the ignition keyhole illumination ON and OFF.

Component Function Check

INFOID:000000003938861

CAUTION:

Before performing the diagnosis, check that the following is normal.

- Battery saver output/power supply circuit
- Ignition keyhole illumination bulb

1. CHECK IGNITION KEYHOLE ILLUMINATION OPERATION

CONSULT-III

1. Turn the ignition switch ON.
2. Select "IGN ILLUM" of BCM (INT LAMP) active test item.
3. While operating the test item, check that the ignition keyhole illumination turns ON/OFF

ON : Ignition keyhole illumination ON

OFF : Ignition keyhole illumination OFF

Is the inspection result normal?

- YES >> Ignition keyhole illumination circuit is normal.
 NO >> Refer to [INL-22, "Diagnosis Procedure"](#).

Diagnosis Procedure

INFOID:000000003938862

1. CHECK IGNITION KEYHOLE OUTPUT

CONSULT-III

1. Turn ignition switch ON.
2. Select "IGN ILLUM" of BCM (INT LAMP) active test item.
3. While operating the test item, check voltage between BCM connector M18 terminal 1 and ground.

Connector	Terminal	—	IGN ILLUM	Voltage
M18	1	Ground	ON	0V
			OFF	Battery voltage

Is the inspection result normal?

- YES >> Ignition keyhole illumination is operating normally.
 Fixed ON>>GO TO 3
 Fixed OFF>>GO TO 2

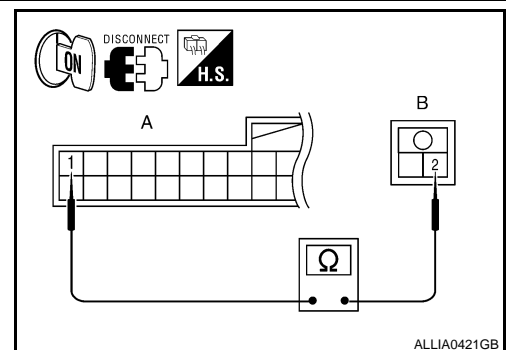
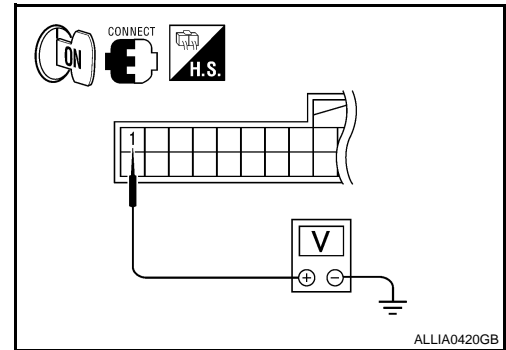
2. CHECK IGNITION KEYHOLE ILLUMINATION OPEN CIRCUIT

1. Turn ignition switch OFF.
2. Disconnect BCM connector M18 and ignition keyhole illumination connector.
3. Check continuity between BCM connector M18 (A) terminal 1 and ignition keyhole illumination connector M150 (B) terminal 2.

BCM		Ignition keyhole illumination		Continuity
Connector	Terminal	Connector	Terminal	
M18 (A)	1	M150 (B)	2	Yes

Is the inspection result normal?

- YES >> Check ignition keyhole illumination for an open. If OK, replace BCM. Refer to [BCS-59, "Removal and Installation"](#). If NG, replace ignition keyhole illumination.
 NO >> Repair harness or connectors.



IGNITION KEYHOLE ILLUMINATION CONTROL CIRCUIT

< COMPONENT DIAGNOSIS >

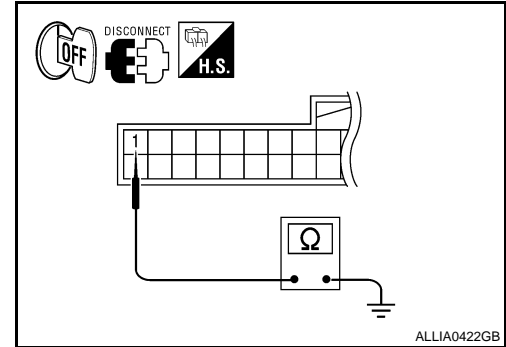
3. CHECK IGNITION KEYHOLE ILLUMINATION SHORT CIRCUIT

1. Turn ignition switch OFF.
2. Disconnect BCM connector M18 and ignition keyhole illumination connector.
3. Check continuity between BCM connector M18 terminal 1 and ground.

Connector	Terminal	—	Continuity
M18	1	Ground	No

Is the inspection result normal?

- YES >> Check ignition keyhole illumination for a short circuit. If OK, replace BCM. Refer to [BCS-59, "Removal and Installation"](#). If NG, replace ignition keyhole illumination.
- NO >> Repair harness or connectors.



A
B
C
D
E
F
G
H
I
J
K
L
M
N
O
P

INL

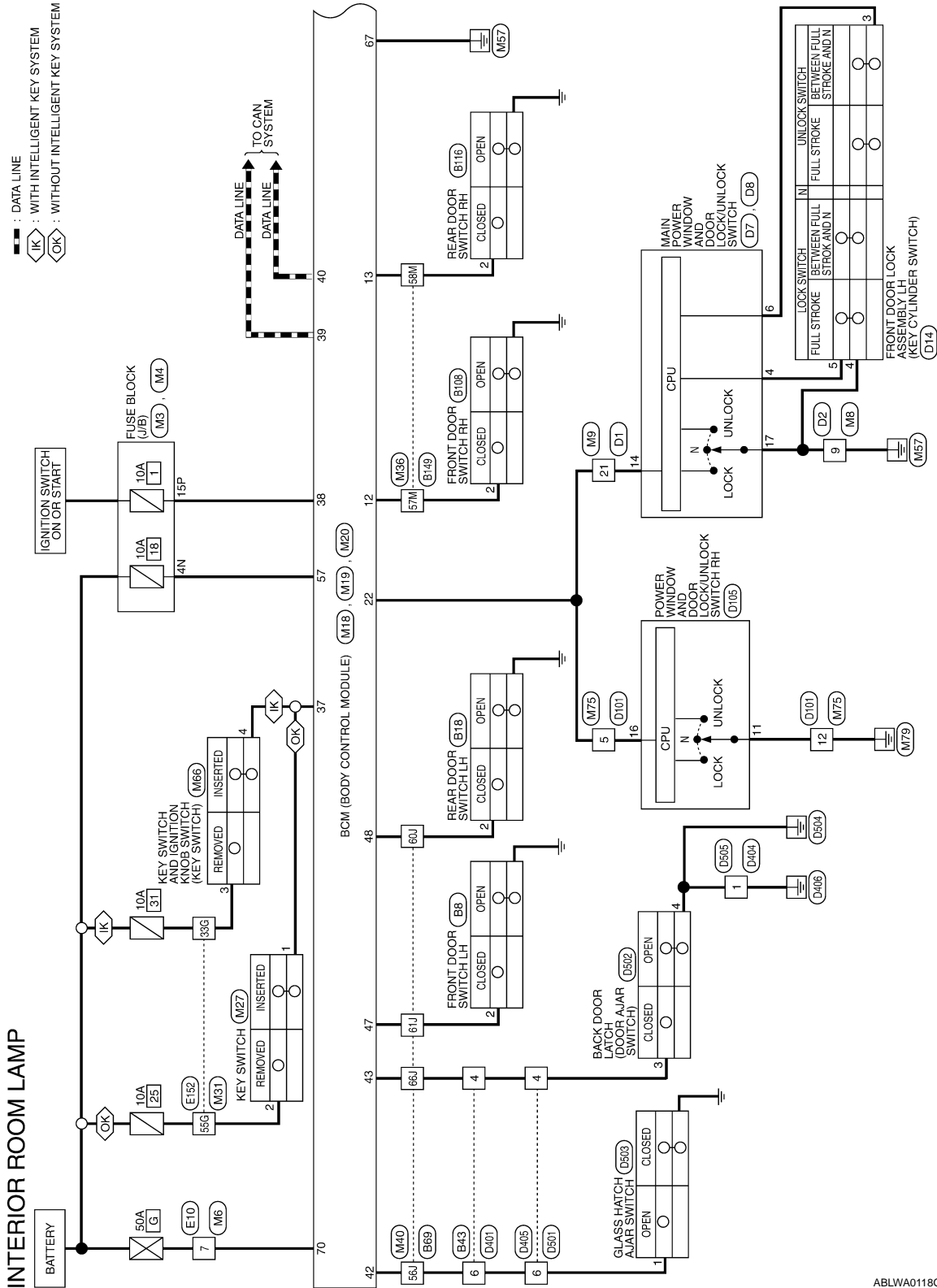
INTERIOR ROOM LAMP CONTROL SYSTEM

< COMPONENT DIAGNOSIS >

INTERIOR ROOM LAMP CONTROL SYSTEM

Wiring Diagram

INFOID:000000003938863

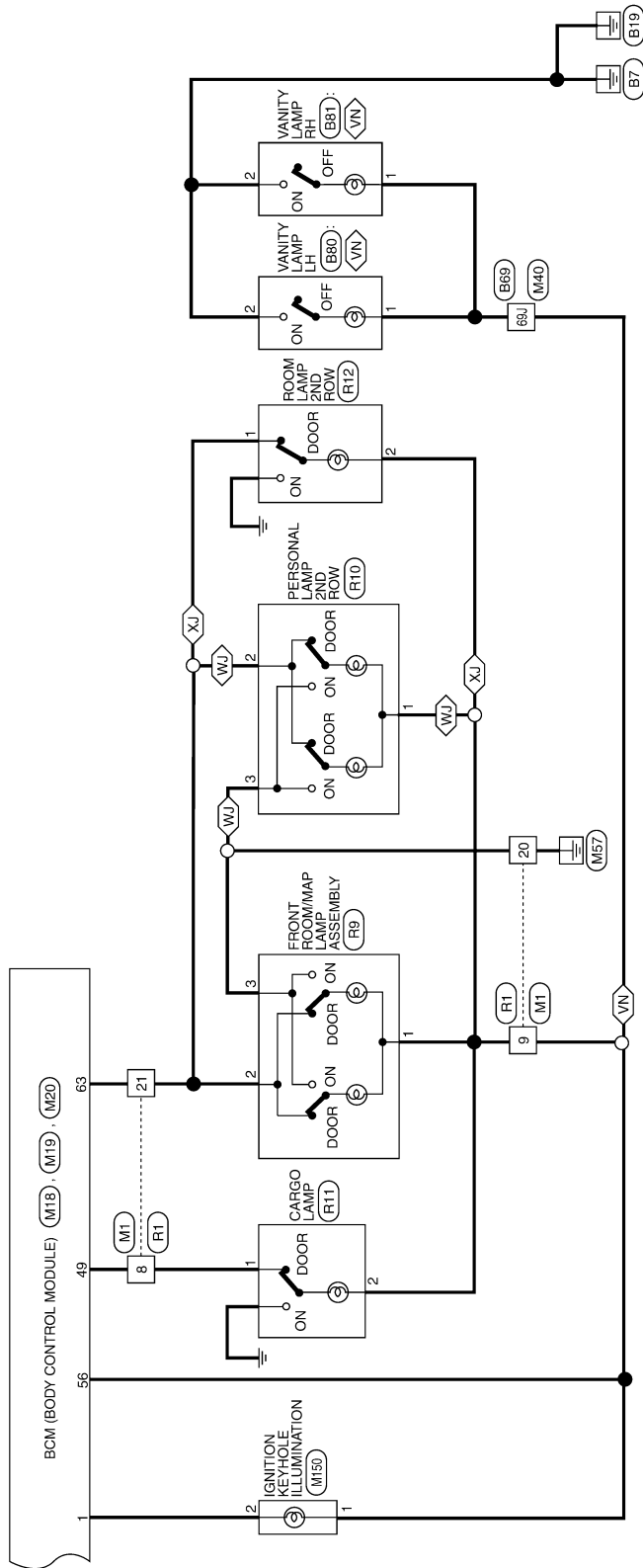


ABLWA0118GB

INTERIOR ROOM LAMP CONTROL SYSTEM

< COMPONENT DIAGNOSIS >

- $\langle \text{VN} \rangle$: WITH VANITY LAMPS
- $\langle \text{WJ} \rangle$: WITH PERSONAL LAMP 2ND ROW
- $\langle \text{XJ} \rangle$: WITHOUT PERSONAL LAMP 2ND ROW



ABLWA0119GB

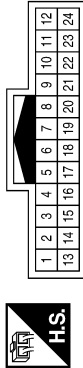
A
B
C
D
E
F
G
H
I
J
K
INL
M
N
O
P

INTERIOR ROOM LAMP CONTROL SYSTEM

< COMPONENT DIAGNOSIS >

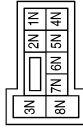
INTERIOR ROOM LAMP CONNECTORS

Connector No.	M1
Connector Name	WIRE TO WIRE
Connector Color	WHITE



Terminal No.	Color of Wire	Signal Name
8	L	-
9	R/Y	-
20	B	-
21	BR	-

Connector No.	M3
Connector Name	FUSE BLOCK (J/B)
Connector Color	WHITE



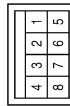
Terminal No.	Color of Wire	Signal Name
4N	R/Y	-

Connector No.	M4
Connector Name	FUSE BLOCK (J/B)
Connector Color	WHITE



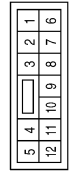
Terminal No.	Color of Wire	Signal Name
15P	W/R	-

Connector No.	M6
Connector Name	WIRE TO WIRE
Connector Color	WHITE



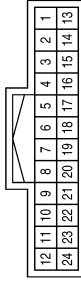
Terminal No.	Color of Wire	Signal Name
7	W	-

Connector No.	M8
Connector Name	WIRE TO WIRE
Connector Color	WHITE



Terminal No.	Color of Wire	Signal Name
9	B	-

Connector No.	M9
Connector Name	WIRE TO WIRE
Connector Color	WHITE



Terminal No.	Color of Wire	Signal Name
21	V	-

INTERIOR ROOM LAMP CONTROL SYSTEM

< COMPONENT DIAGNOSIS >

Connector No.	M18
Connector Name	BCM (BODY CONTROL MODULE)
Connector Color	WHITE



1	2	3	4	5	6	7	8	9	10	11	12	13	14	15	16	17	18	19	20
21	22	23	24	25	26	27	28	29	30	31	32	33	34	35	36	37	38	39	40

Terminal No.	Color of Wire	Signal Name
1	BR	KEY RING OUTPUT
12	LG	DOOR SW (AS)
13	L	DOOR SW (RR)
22	V	ANTI-PINCH SERIAL LINK (RX, TX)
37	B	KEY SW
38	W/R	IGN SW
39	L	CAN-H
40	P	CAN-L



2	1
---	---

Terminal No.	Color of Wire	Signal Name
1	B	-
2	Y	-

Connector No.	M19
Connector Name	BCM (BODY CONTROL MODULE)
Connector Color	WHITE



41	42	43	44	45	46	47	48	49
50	51	52	53	54	55			

Terminal No.	Color of Wire	Signal Name
42	LG	GLASS HATCH SW
43	P	BACK DOOR SW
47	GR	DOOR SW (DR)
48	P	DOOR SW (RL)
49	L	LUGGAGE LAMP OUTPUT

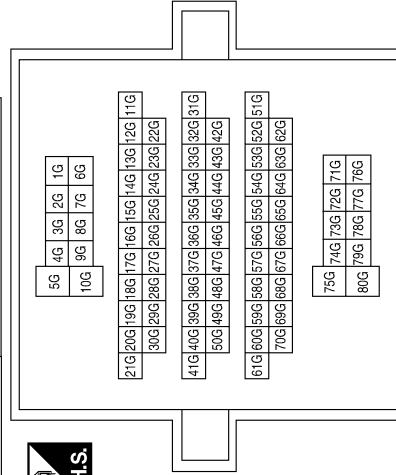
Connector No.	M20
Connector Name	BCM (BODY CONTROL MODULE)
Connector Color	BLACK



56	57	58	59	60	61	62	63	64
65	66	67	68	69	70			

Terminal No.	Color of Wire	Signal Name
56	V	BAT SAVER OUTPUT
57	R/Y	BAT (FUSE)
63	BR	ROOM LAMP
67	B	GND (POWER)
70	W	BAT (F/L)

Connector No.	M31
Connector Name	WIRE TO WIRE
Connector Color	WHITE



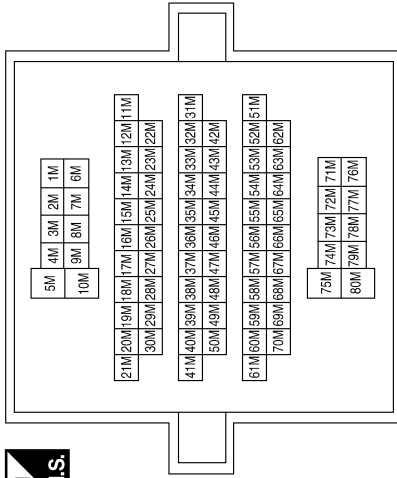
Terminal No.	Color of Wire	Signal Name
33G	R/B	-
55G	Y	-

ABLIA0442GB

INTERIOR ROOM LAMP CONTROL SYSTEM

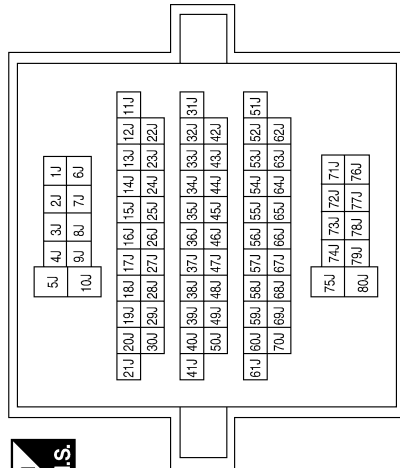
< COMPONENT DIAGNOSIS >

Connector No.	M36
Connector Name	WIRE TO WIRE
Connector Color	WHITE



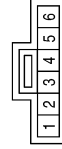
Terminal No.	Color of Wire	Signal Name
57M	LG	-
58M	L	-

Connector No.	M40
Connector Name	WIRE TO WIRE
Connector Color	WHITE



Terminal No.	Color of Wire	Signal Name
56J	LG	-
60J	P	-
61J	GR	-
66J	P	-
69J	R/Y	-

Connector No.	M66
Connector Name	KEY SWITCH AND IGNITION KNOB SWITCH
Connector Color	GRAY



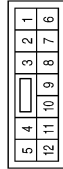
Terminal No.	Color of Wire	Signal Name
3	R/B	-
4	SB	-

ABLIA0443GB

INTERIOR ROOM LAMP CONTROL SYSTEM

< COMPONENT DIAGNOSIS >

Connector No.	M75
Connector Name	WIRE TO WIRE
Connector Color	WHITE



Terminal No.	Color of Wire	Signal Name
5	V	-
12	B	-

Connector No.	M150
Connector Name	IGNITION KEYHOLE ILLUMINATION
Connector Color	WHITE



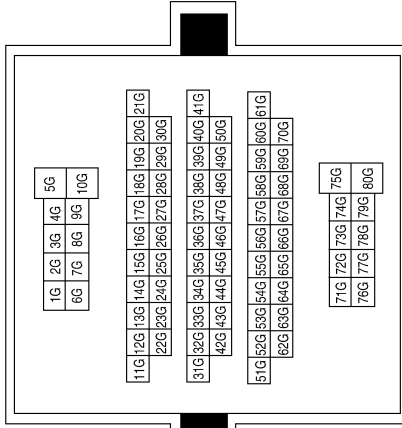
Terminal No.	Color of Wire	Signal Name
1	R/Y	-
2	BR	-

Connector No.	E10
Connector Name	WIRE TO WIRE
Connector Color	WHITE



Terminal No.	Color of Wire	Signal Name
7	W	-

Connector No.	E152
Connector Name	WIRE TO WIRE
Connector Color	WHITE



Terminal No.	Color of Wire	Signal Name
33G	R/B	-
55G	Y	-

Connector No.	B8
Connector Name	FRONT DOOR SWITCH LH
Connector Color	WHITE



Terminal No.	Color of Wire	Signal Name
2	GR	-

ABLIA0444GB

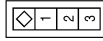
A
B
C
D
E
F
G
H
I
J
K
L
M
N
O
P

INL

INTERIOR ROOM LAMP CONTROL SYSTEM

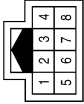
< COMPONENT DIAGNOSIS >

Connector No.	B18
Connector Name	REAR DOOR SWITCH LH
Connector Color	WHITE



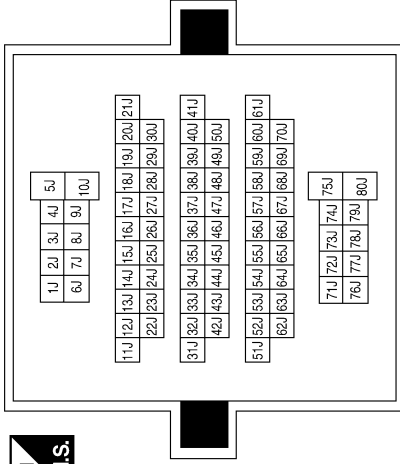
Terminal No.	Color of Wire	Signal Name
2	P	-

Connector No.	B43
Connector Name	WIRE TO WIRE
Connector Color	WHITE



Terminal No.	Color of Wire	Signal Name
4	P	-
6	LG	-

Connector No.	B69
Connector Name	WIRE TO WIRE
Connector Color	WHITE



Terminal No.	Color of Wire	Signal Name
56J	LG	-
60J	P	-
61J	GR	-
66J	P	-
69J	R/Y	-

Connector No.	B80
Connector Name	VANITY LAMP LH
Connector Color	WHITE



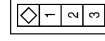
Terminal No.	Color of Wire	Signal Name
1	R/Y	-
2	B	-

Connector No.	B81
Connector Name	VANITY LAMP RH
Connector Color	WHITE



Terminal No.	Color of Wire	Signal Name
1	R/Y	-
2	B	-

Connector No.	B108
Connector Name	FRONT DOOR SWITCH RH
Connector Color	WHITE



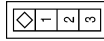
Terminal No.	Color of Wire	Signal Name
2	LG	-

ABLIA0445GB

INTERIOR ROOM LAMP CONTROL SYSTEM

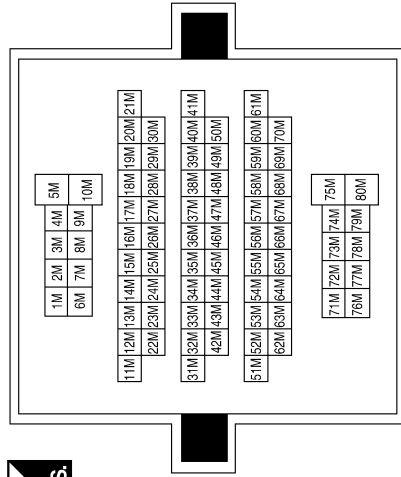
< COMPONENT DIAGNOSIS >

Connector No.	B116
Connector Name	REAR DOOR SWITCH RH
Connector Color	WHITE



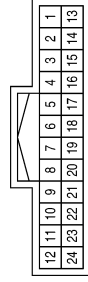
Terminal No.	Color of Wire	Signal Name
2	L	-

Connector No.	B149
Connector Name	WIRE TO WIRE
Connector Color	WHITE



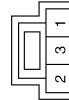
Terminal No.	Color of Wire	Signal Name
57M	LG	-
58M	L	-

Connector No.	R1
Connector Name	WIRE TO WIRE
Connector Color	WHITE



Terminal No.	Color of Wire	Signal Name
8	L	-
9	R/Y	-
20	B	-
21	BR	-

Connector No.	R9
Connector Name	FRONT ROOM/MAP LAMP ASSEMBLY
Connector Color	WHITE



Terminal No.	Color of Wire	Signal Name
1	R/Y	-
2	Y	-
3	B	-

Connector No.	R10
Connector Name	PERSONAL LAMP 2ND ROW
Connector Color	WHITE



Terminal No.	Color of Wire	Signal Name
1	R/Y	-
2	BR	-
3	B	-

Connector No.	R11
Connector Name	CARGO LAMP
Connector Color	WHITE



Terminal No.	Color of Wire	Signal Name
1	L	-
2	R/Y	-

ABLIA0446GB



INTERIOR ROOM LAMP CONTROL SYSTEM

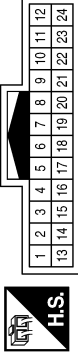
< COMPONENT DIAGNOSIS >

Connector No.	R12
Connector Name	ROOM LAMP 2ND ROW
Connector Color	WHITE



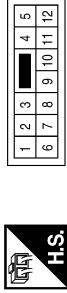
Terminal No.	Color of Wire	Signal Name
1	BR	-
2	R/Y	-

Connector No.	D1
Connector Name	WIRE TO WIRE
Connector Color	WHITE



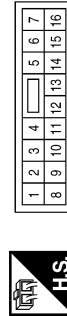
Terminal No.	Color of Wire	Signal Name
21	V	-

Connector No.	D2
Connector Name	WIRE TO WIRE
Connector Color	WHITE



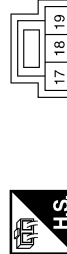
Terminal No.	Color of Wire	Signal Name
9	B	-

Connector No.	D7
Connector Name	MAIN POWER WINDOW AND DOOR LOCK/UNLOCK SWITCH
Connector Color	WHITE



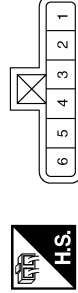
Terminal No.	Color of Wire	Signal Name
4	SB	KEY CYL LOCK SW
6	R/W	KEY CYL UNLOCK SW
14	V	POWER WINDOW SERIAL LINK

Connector No.	D8
Connector Name	MAIN POWER WINDOW AND DOOR LOCK/UNLOCK SWITCH
Connector Color	WHITE



Terminal No.	Color of Wire	Signal Name
17	B	GND

Connector No.	D14
Connector Name	FRONT DOOR LOCK ASSEMBLY LH
Connector Color	GRAY



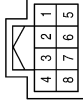
Terminal No.	Color of Wire	Signal Name
3	R/W	-
4	B	-
5	SB	-

ABLIA0447GB

INTERIOR ROOM LAMP CONTROL SYSTEM

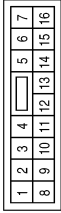
< COMPONENT DIAGNOSIS >

Connector No.	D401
Connector Name	WIRE TO WIRE
Connector Color	WHITE



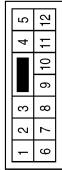
Terminal No.	Color of Wire	Signal Name
4	P	-
6	LG	-

Connector No.	D105
Connector Name	POWER WINDOW AND DOOR LOCK/UNLOCK SWITCH RH
Connector Color	WHITE



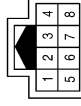
Terminal No.	Color of Wire	Signal Name
11	B	GND
16	V	POWER WINDOW SERIAL LINK

Connector No.	D101
Connector Name	WIRE TO WIRE
Connector Color	WHITE



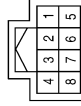
Terminal No.	Color of Wire	Signal Name
5	V	-
12	B	-

Connector No.	D501
Connector Name	WIRE TO WIRE
Connector Color	WHITE



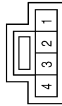
Terminal No.	Color of Wire	Signal Name
4	P	-
6	LG	-

Connector No.	D405
Connector Name	WIRE TO WIRE
Connector Color	WHITE



Terminal No.	Color of Wire	Signal Name
4	P	-
6	LG	-

Connector No.	D404
Connector Name	WIRE TO WIRE
Connector Color	WHITE



Terminal No.	Color of Wire	Signal Name
1	B	-

ABLIA0448GB

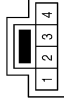
A
B
C
D
E
F
G
H
I
J
K
L
M
N
O
P

INL

INTERIOR ROOM LAMP CONTROL SYSTEM

< COMPONENT DIAGNOSIS >

Connector No.	D505
Connector Name	WIRE TO WIRE
Connector Color	WHITE



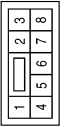
Terminal No.	Color of Wire	Signal Name
1	B	-

Connector No.	D503
Connector Name	GLASS HATCH AJAR SWITCH
Connector Color	BLACK



Terminal No.	Color of Wire	Signal Name
1	LG	-

Connector No.	D502
Connector Name	BACK DOOR LATCH
Connector Color	WHITE



Terminal No.	Color of Wire	Signal Name
3	P	-
4	BR	-

ABLIA0449GB

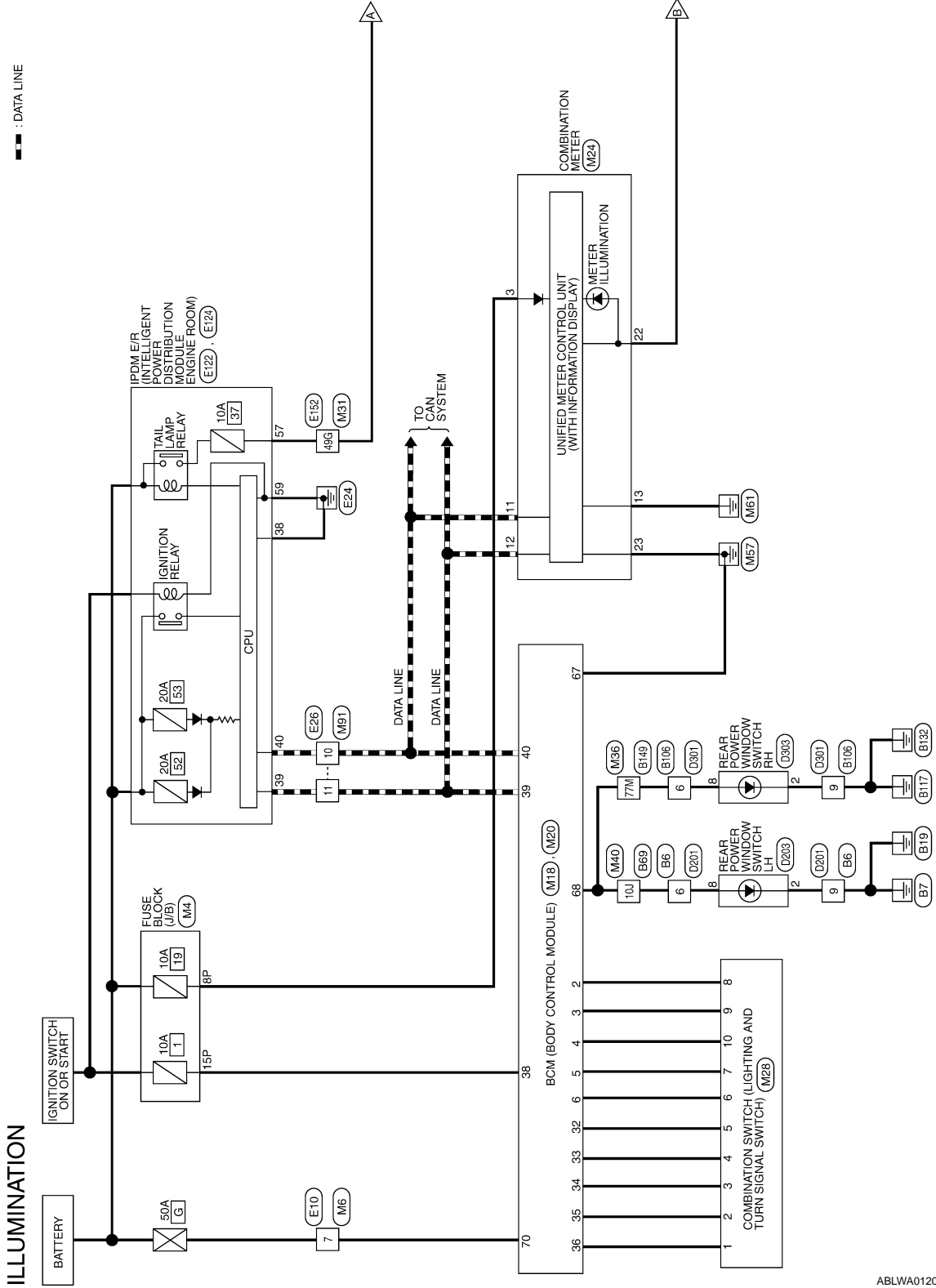
ILLUMINATION

< COMPONENT DIAGNOSIS >

ILLUMINATION

Wiring Diagram

INFOID:000000003938864



ABLWA0120GB

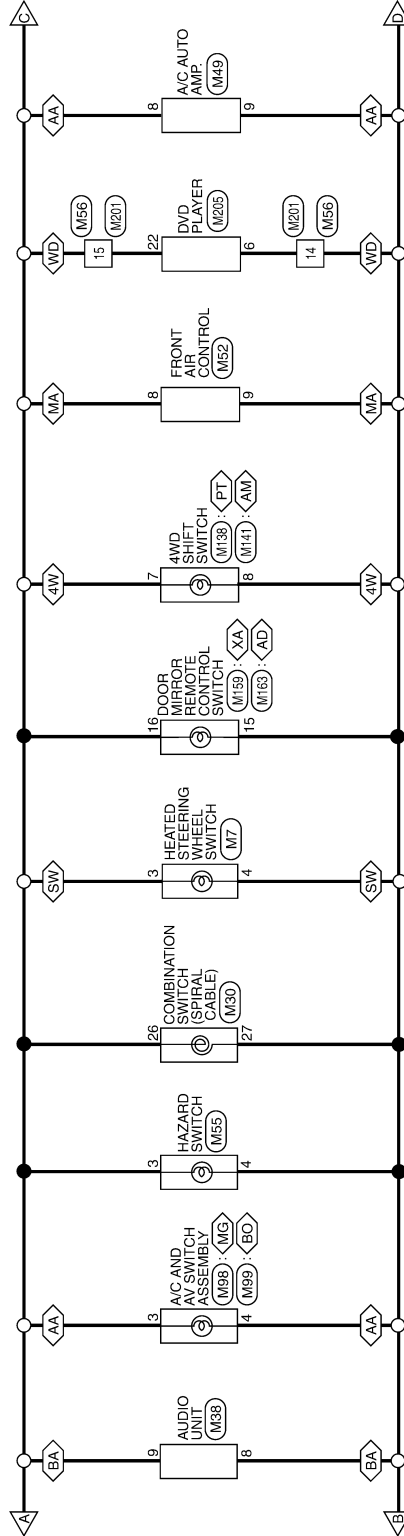
A
B
C
D
E
F
G
H
I
J
K
L
M
N
O
P

INL

ILLUMINATION

< COMPONENT DIAGNOSIS >

- <4W> : WITH 4-WHEEL DRIVE
- <AA> : WITH AUTO A/C
- <AD> : WITH AUTOMATIC DRIVE POSITIONER
- <AM> : ALL-MODE 4WD SYSTEM
- <BA> : WITH BASE AUDIO SYSTEM
- <BC> : WITH BOSE AUDIO SYSTEM-WITH NAVI
- <MA> : WITHOUT AUTO A/C
- <MG> : WITH MID AUDIO SYSTEM OR WITH BOSE AUDIO SYSTEM-WITH NAVIGATION
- <PT> : PART TIME 4WD SYSTEM
- <SM> : WITH HEATED STEERING WHEEL
- <WD> : WITH DVD ENTERTAINMENT SYSTEM
- <XA> : WITHOUT AUTOMATIC DRIVE POSITIONER

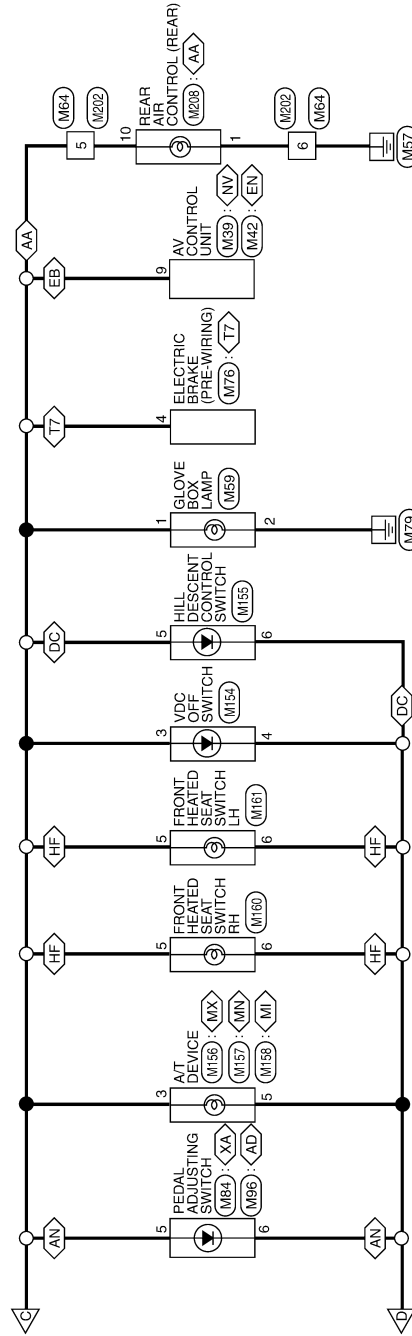


ABLWA0121GB

ILLUMINATION

< COMPONENT DIAGNOSIS >

- ◊ AA : WITH AUTO A/C
- ◊ AD : WITH AUTOMATIC DRIVE POSITIONER
- ◊ AN : WITH ADJUSTABLE PEDALS
- ◊ AN : WITH ADJUSTABLE PEDALS
- ◊ DC : WITH HILL DESCENT CONTROL AND HILL START ASSIST
- ◊ EB : EXCEPT BASE AUDIO SYSTEM
- ◊ EN : WITHOUT NAVI
- ◊ HF : WITH FRONT HEATED SEATS
- ◊ MI : WITH MANUAL MODE SWITCH AND INTELLIGENT KEY SYSTEM
- ◊ MN : WITH MANUAL MODE SWITCH, WITHOUT INTELLIGENT KEY SYSTEM
- ◊ MX : WITHOUT MANUAL MODE SWITCH
- ◊ NV : WITH NAVI
- ◊ TZ : WITH TRAILER TOW 7 PIN
- ◊ XA : WITHOUT AUTOMATIC DRIVE POSITIONER



A
B
C
D
E
F
G
H
I
J
K
L
M
N
O
P

INL

ABLWA0122GB

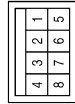
ILLUMINATION CONNECTORS

Connector No.	M4
Connector Name	FUSE BLOCK (J/B)
Connector Color	WHITE



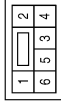
Terminal No.	Color of Wire	Signal Name
8P	R/Y	-
15P	W/R	-

Connector No.	M6
Connector Name	WIRE TO WIRE
Connector Color	WHITE



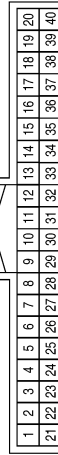
Terminal No.	Color of Wire	Signal Name
7	W	-

Connector No.	M7
Connector Name	HEATED STEERING WHEEL SWITCH
Connector Color	WHITE



Terminal No.	Color of Wire	Signal Name
3	R	-
4	BR	-

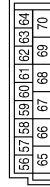
Connector No.	M18
Connector Name	BCM (BODY CONTROL MODULE)
Connector Color	WHITE



Terminal No.	Color of Wire	Signal Name
2	P	INPUT 5
3	SB	INPUT 4
4	V	INPUT 3
5	L	INPUT 2

Terminal No.	Color of Wire	Signal Name
6	R	INPUT 1
32	O	OUTPUT 5
33	GR	OUTPUT 4
34	G	OUTPUT 3
35	BR	OUTPUT 2
36	LG	OUTPUT 1
38	W/R	IGN SW
39	L	CAN-H
40	P	CAN-L

Connector No.	M20
Connector Name	BCM (BODY CONTROL MODULE)
Connector Color	BLACK



Terminal No.	Color of Wire	Signal Name
67	B	GND (POWER)
68	O	POWER WINDOW POWER SUPPLY OUTPUT (LINKED TO RAP)
70	W	BAT (F/L)

ILLUMINATION

< COMPONENT DIAGNOSIS >

Connector No.	M24
Connector Name	COMBINATION METER
Connector Color	WHITE



20	19	18	17	16	15	14	13	12	11	10	9	8	7	6	5	4	3	2	1
40	39	38	37	36	35	34	33	32	31	30	29	28	27	26	25	24	23	22	21

Terminal No.	Color of Wire	Signal Name
3	R/Y	BATTERY
11	P	CAN-L
12	L	CAN-H
13	GR	GROUND
22	BR	ILLUMINATION
23	B	POWER GND

Connector No.	M28
Connector Name	COMBINATION SWITCH
Connector Color	WHITE



12	13	10	9	8	7		
14	11	1	2	3	4	5	6

Terminal No.	Color of Wire	Signal Name
1	LG	INPUT 1
2	BR	INPUT 2
3	G	INPUT 3
4	GR	INPUT 4
5	O	INPUT 5
6	R	OUTPUT 1
7	L	OUTPUT 2
8	P	OUTPUT 5

Terminal No.	Color of Wire	Signal Name
9	SB	OUTPUT 4
10	V	OUTPUT 3

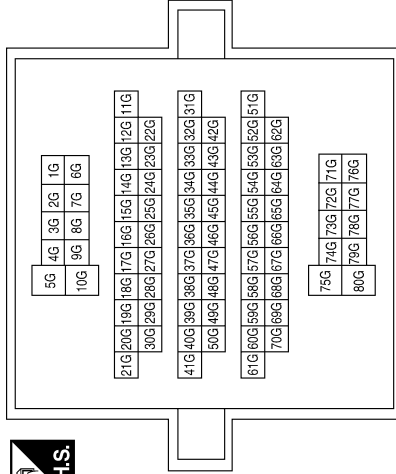
Connector No.	M30
Connector Name	COMBINATION SWITCH
Connector Color	GRAY



24	25	26	27
31	32	33	34

Terminal No.	Color of Wire	Signal Name
26	R	ILL+
27	G	ILL-

Connector No.	M31
Connector Name	WIRE TO WIRE
Connector Color	WHITE



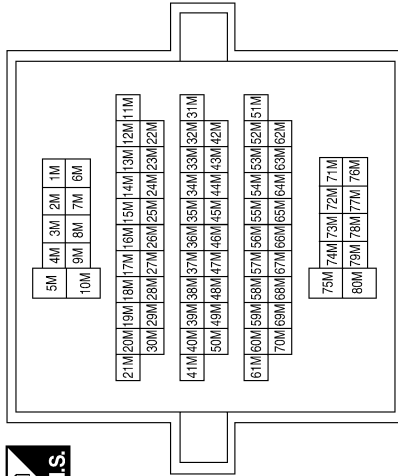
Terminal No.	Color of Wire	Signal Name
49G	V	-

ABLIA0451GB

ILLUMINATION

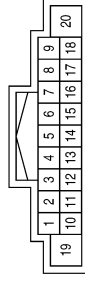
< COMPONENT DIAGNOSIS >

Connector No.	M36
Connector Name	WIRE TO WIRE
Connector Color	WHITE



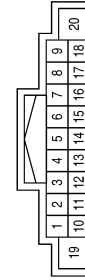
Terminal No.	77M	Color of Wire	W	Signal Name	-
--------------	-----	---------------	---	-------------	---

Connector No.	M38
Connector Name	AUDIO UNIT
Connector Color	WHITE



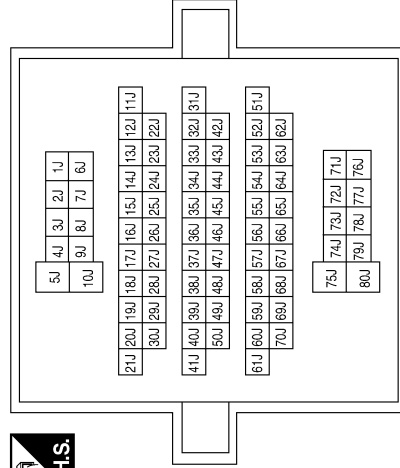
Terminal No.	8	Color of Wire	GR	Signal Name	ILL CONT OUT
9	R	TAIL/ILL RLY			

Connector No.	M39
Connector Name	AV CONTROL UNIT (WITH NAVI)
Connector Color	WHITE



Terminal No.	9	Color of Wire	V	Signal Name	ILL+
--------------	---	---------------	---	-------------	------

Connector No.	M40
Connector Name	WIRE TO WIRE
Connector Color	WHITE

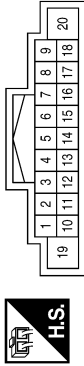


Terminal No.	10J	Color of Wire	W	Signal Name	-
--------------	-----	---------------	---	-------------	---

ILLUMINATION

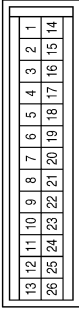
< COMPONENT DIAGNOSIS >

Connector No.	M42
Connector Name	AV CONTROL UNIT (WITHOUT NAVI)
Connector Color	WHITE



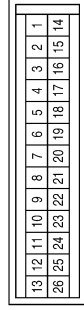
Terminal No.	Color of Wire	Signal Name
9	V	ILL+

Connector No.	M49
Connector Name	A/C AUTO AMP. (WITH AUTO A/C)
Connector Color	BLACK



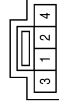
Terminal No.	Color of Wire	Signal Name
8	G	-
9	BR	-

Connector No.	M52
Connector Name	FRONT AIR CONTROL (WITHOUT AUTO A/C)
Connector Color	BLACK



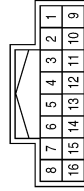
Terminal No.	Color of Wire	Signal Name
8	G	-
9	BR	-

Connector No.	M55
Connector Name	HAZARD SWITCH
Connector Color	WHITE



Terminal No.	Color of Wire	Signal Name
3	R	-
4	BR	-

Connector No.	M56
Connector Name	WIRE TO WIRE
Connector Color	WHITE



Terminal No.	Color of Wire	Signal Name
14	BR	-
15	SB	-

Connector No.	M59
Connector Name	GLOVE BOX LAMP
Connector Color	BROWN



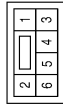
Terminal No.	Color of Wire	Signal Name
1	R	-
2	B	-

ABLIA0453GB

ILLUMINATION

< COMPONENT DIAGNOSIS >

Connector No.	M64
Connector Name	WIRE TO WIRE
Connector Color	WHITE



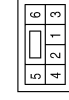
Terminal No.	Color of Wire	Signal Name
5	G	-
6	B	-

Connector No.	M76
Connector Name	ELECTRIC BRAKE (PRE-WIRING)
Connector Color	WHITE



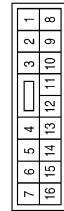
Terminal No.	Color of Wire	Signal Name
4	R	-

Connector No.	M84
Connector Name	PEDAL-ADJUSTING SWITCH (WITHOUT AUTOMATIC DRIVE POSITIONER)
Connector Color	BROWN



Terminal No.	Color of Wire	Signal Name
5	R	-
6	BR	-

Connector No.	M91
Connector Name	WIRE TO WIRE
Connector Color	WHITE



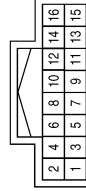
Terminal No.	Color of Wire	Signal Name
10	P	-
11	L	-

Connector No.	M96
Connector Name	PEDAL-ADJUSTING SWITCH (WITH AUTOMATIC-DRIVE POSITIONER)
Connector Color	BROWN



Terminal No.	Color of Wire	Signal Name
5	R	-
6	BR	-

Connector No.	M98
Connector Name	A/C AND AV SWITCH ASSEMBLY(WITH MID AUDIO SYSTEM OR WITH BOSE AUDIO SYSTEM-WITHOUT NAV)
Connector Color	WHITE



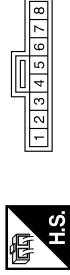
Terminal No.	Color of Wire	Signal Name
3	LG	ILL
4	BR	ILL CONT GND

ABLIA0454GB

ILLUMINATION

< COMPONENT DIAGNOSIS >

Connector No.	M141
Connector Name	4WD SHIFT SWITCH (ALL-MODE 4WD SYSTEM)
Connector Color	GRAY



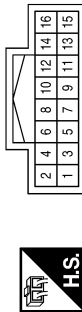
Terminal No.	Color of Wire	Signal Name
7	R	-
8	BR	-

Connector No.	M138
Connector Name	4WD SHIFT SWITCH (PART-TIME 4WD SYSTEM)
Connector Color	GRAY



Terminal No.	Color of Wire	Signal Name
7	R	-
8	BR	-

Connector No.	M99
Connector Name	A/C AND AV SWITCH ASSEMBLY (WITH BOSE AUDIO SYSTEM-WITH NAVI)
Connector Color	WHITE



Terminal No.	Color of Wire	Signal Name
3	LG	ILL
4	BR	ILL CONT GND

Connector No.	M156
Connector Name	A/T DEVICE (WITHOUT MANUAL MODE SWITCH)
Connector Color	WHITE



Terminal No.	Color of Wire	Signal Name
3	R	-
5	BR	-

Connector No.	M155
Connector Name	HILL DESCENT CONTROL SWITCH
Connector Color	WHITE



Terminal No.	Color of Wire	Signal Name
5	R	-
6	BR	-

Connector No.	M154
Connector Name	VDC OFF SWITCH
Connector Color	GRAY



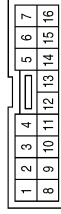
Terminal No.	Color of Wire	Signal Name
3	R	-
4	BR	-

ABLIA0455GB

ILLUMINATION

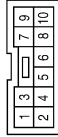
< COMPONENT DIAGNOSIS >

Connector No.	M159
Connector Name	DOOR MIRROR REMOTE CONTROL SWITCH (WITHOUT AUTOMATIC DRIVE POSITIONER)
Connector Color	WHITE



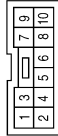
Terminal No.	Color of Wire	Signal Name
15	BR	-
16	R	-

Connector No.	M158
Connector Name	A/T DEVICE (WITH MANUAL MODE SWITCH AND INTELLIGENT KEY SYSTEM)
Connector Color	WHITE



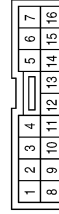
Terminal No.	Color of Wire	Signal Name
3	R	-
5	BR	-

Connector No.	M157
Connector Name	A/T DEVICE (WITH MANUAL MODE SWITCH, WITHOUT INTELLIGENT KEY SYSTEM)
Connector Color	WHITE



Terminal No.	Color of Wire	Signal Name
3	R	-
5	BR	-

Connector No.	M163
Connector Name	DOOR MIRROR REMOTE CONTROL SWITCH (WITH AUTOMATIC DRIVE POSITIONER)
Connector Color	WHITE



Terminal No.	Color of Wire	Signal Name
15	BR	-
16	R	-

Connector No.	M161
Connector Name	FRONT HEATED SEAT SWITCH LH
Connector Color	BROWN



Terminal No.	Color of Wire	Signal Name
5	R	-
6	BR	-

Connector No.	M160
Connector Name	FRONT HEATED SEAT SWITCH RH
Connector Color	BROWN



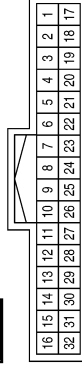
Terminal No.	Color of Wire	Signal Name
5	SB	-
6	O	-

ABLIA0456GB

ILLUMINATION

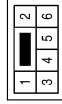
< COMPONENT DIAGNOSIS >

Connector No.	M205
Connector Name	DVD PLAYER
Connector Color	WHITE



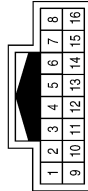
Terminal No.	Color of Wire	Signal Name
6	BR	ILL-
22	SB	ILL+

Connector No.	M202
Connector Name	WIRE TO WIRE
Connector Color	WHITE



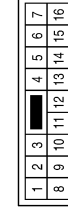
Terminal No.	Color of Wire	Signal Name
5	G	-
6	B	-

Connector No.	M201
Connector Name	WIRE TO WIRE
Connector Color	WHITE



Terminal No.	Color of Wire	Signal Name
14	BR	-
15	SB	-

Connector No.	E26
Connector Name	WIRE TO WIRE
Connector Color	WHITE



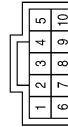
Terminal No.	Color of Wire	Signal Name
10	P	-
11	L	-

Connector No.	E10
Connector Name	WIRE TO WIRE
Connector Color	WHITE



Terminal No.	Color of Wire	Signal Name
7	W	-

Connector No.	M208
Connector Name	REAR AIR CONTROL (REAR)
Connector Color	BLACK



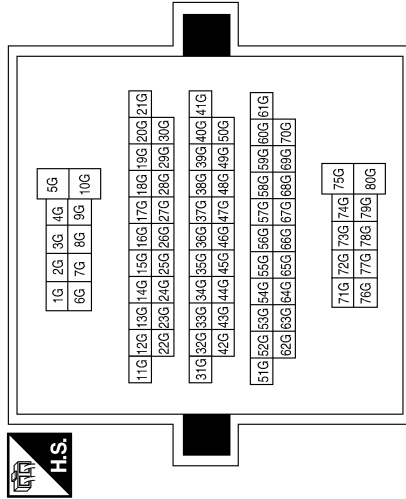
Terminal No.	Color of Wire	Signal Name
1	B	GND
10	G	ILL+

ABLIA0457GB



< COMPONENT DIAGNOSIS >

Connector No.	E152
Connector Name	WIRE TO WIRE
Connector Color	WHITE



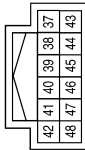
Terminal No.	Color of Wire	Signal Name
49G	V	-

Connector No.	E124
Connector Name	IPDM E/R (INTELLIGENT POWER DISTRIBUTION MODULE ENGINE ROOM)
Connector Color	BLACK



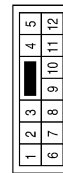
Terminal No.	Color of Wire	Signal Name
57	GR	TAIL LAMPS
59	B	GND (POWER)

Connector No.	E122
Connector Name	IPDM E/R (INTELLIGENT POWER DISTRIBUTION MODULE ENGINE ROOM)
Connector Color	WHITE



Terminal No.	Color of Wire	Signal Name
38	B	GND (SIGNAL)
39	L	CAN-H
40	P	CAN-L

Connector No.	B6
Connector Name	WIRE TO WIRE
Connector Color	WHITE

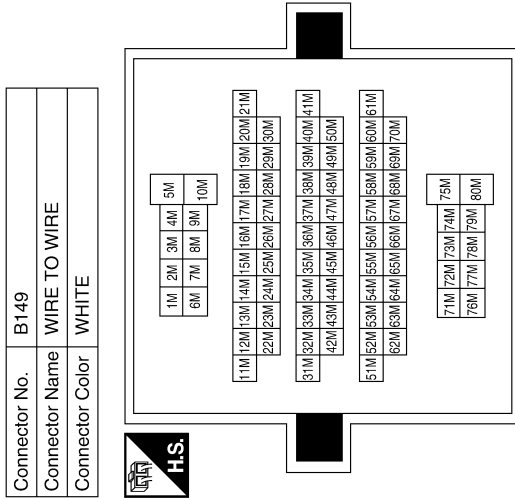


Terminal No.	Color of Wire	Signal Name
6	W	-
9	B	-

ABLIA0458GB

ILLUMINATION

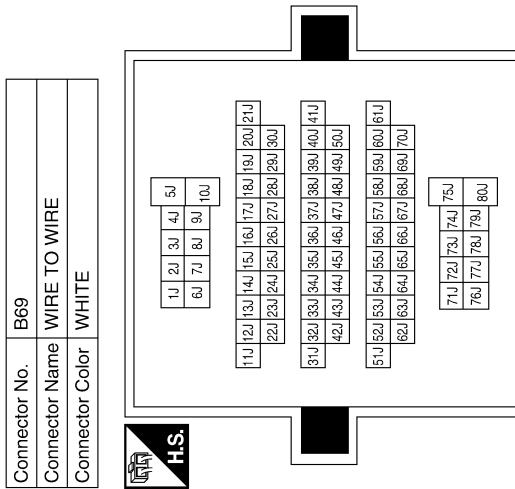
< COMPONENT DIAGNOSIS >



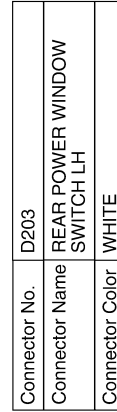
Terminal No.	Color of Wire	Signal Name
77M	W	-



Terminal No.	Color of Wire	Signal Name
6	W	-
9	B	-



Terminal No.	Color of Wire	Signal Name
10J	W	-



Terminal No.	Color of Wire	Signal Name
6	W	-
9	B	-

Terminal No.	Color of Wire	Signal Name
2	B	-
8	W	-

Terminal No.	Color of Wire	Signal Name
6	W	-
9	B	-

ABLIA0459GB

A B C D E F G H I J K M N O P

INL

ILLUMINATION

< COMPONENT DIAGNOSIS >

Connector No.	D303
Connector Name	REAR POWER WINDOW SWITCH RH
Connector Color	WHITE



1	2	3
4	5	6
7	8	

Terminal No.	Color of Wire	Signal Name
2	B	-
8	W	-

ABLIA0704GB

BCM (BODY CONTROL MODULE)

< ECU DIAGNOSIS >

ECU DIAGNOSIS

BCM (BODY CONTROL MODULE)

Reference Value

INFOID:000000004404645

VALUES ON THE DIAGNOSIS TOOL

Monitor Item	Condition	Value/Status
AIR COND SW	A/C switch OFF	OFF
	A/C switch ON	ON
AUT LIGHT SYS	Outside of the room is dark	OFF
	Outside of the room is bright	ON
AUTO LIGHT SW	Lighting switch OFF	OFF
	Lighting switch AUTO	ON
BACK DOOR SW	Back door closed	OFF
	Back door opened	ON
CDL LOCK SW	Door lock/unlock switch does not operate	OFF
	Press door lock/unlock switch to the LOCK side	ON
CDL UNLOCK SW	Door lock/unlock switch does not operate	OFF
	Press door lock/unlock switch to the UNLOCK side	ON
DOOR SW-AS	Front door RH closed	OFF
	Front door RH opened	ON
DOOR SW-DR	Front door LH closed	OFF
	Front door LH opened	ON
DOOR SW-RL	Rear door LH closed	OFF
	Rear door LH opened	ON
DOOR SW-RR	Rear door RH closed	OFF
	Rear door RH opened	ON
ENGINE RUN	Engine stopped	OFF
	Engine running	ON
FR FOG SW	Front fog lamp switch OFF	OFF
	Front fog lamp switch ON	ON
FR WASHER SW	Front washer switch OFF	OFF
	Front washer switch ON	ON
FR WIPER LOW	Front wiper switch OFF	OFF
	Front wiper switch LO	ON
FR WIPER HI	Front wiper switch OFF	OFF
	Front wiper switch HI	ON
FR WIPER INT	Front wiper switch OFF	OFF
	Front wiper switch INT	ON
FR WIPER STOP	Any position other than front wiper stop position	OFF
	Front wiper stop position	ON
HAZARD SW	When hazard switch is not pressed	OFF
	When hazard switch is pressed	ON
LIGHT SW 1ST	Lighting switch OFF	OFF
	Lighting switch 1st	ON

BCM (BODY CONTROL MODULE)

< ECU DIAGNOSIS >

Monitor Item	Condition	Value/Status
HEADLAMP SW1	Headlamp switch OFF	OFF
	Headlamp switch 1st	ON
HEADLAMP SW2	Headlamp switch OFF	OFF
	Headlamp switch 1st	ON
HI BEAM SW	High beam switch OFF	OFF
	High beam switch HI	ON
H/L WASH SW	NOTE: The item is indicated, but not monitored	OFF
IGN ON SW	Ignition switch OFF or ACC	OFF
	Ignition switch ON	ON
IGN SW CAN	Ignition switch OFF or ACC	OFF
	Ignition switch ON	ON
INT VOLUME	Wiper intermittent dial is in a dial position 1 - 7	1 - 7
I-KEY LOCK ¹	LOCK button of Intelligent Key is not pressed	OFF
	LOCK button of Intelligent Key is pressed	ON
I-KEY UNLOCK ¹	UNLOCK button of Intelligent Key is not pressed	OFF
	UNLOCK button of Intelligent Key is pressed	ON
KEY ON SW	Mechanical key is removed from key cylinder	OFF
	Mechanical key is inserted to key cylinder	ON
KEYLESS LOCK ²	LOCK button of key fob is not pressed	OFF
	LOCK button of key fob is pressed	ON
KEYLESS UNLOCK ²	UNLOCK button of key fob is not pressed	OFF
	UNLOCK button of key fob is pressed	ON
OIL PRESS SW	<ul style="list-style-type: none"> • Ignition switch OFF or ACC • Engine running 	OFF
	Ignition switch ON	ON
PASSING SW	Other than lighting switch PASS	OFF
	Lighting switch PASS	ON
PUSH SW ¹	Return to ignition switch to LOCK position	OFF
	Press ignition switch	ON
REAR DEF SW	Rear window defogger switch OFF	OFF
	Rear window defogger switch ON	ON
RKE LOCK AND UNLOCK ²	NOTE: The item is indicated, but not monitored	OFF
		ON
RR WASHER SW	Rear washer switch OFF	OFF
	Rear washer switch ON	ON
RR WIPER INT	Rear wiper switch OFF	OFF
	Rear wiper switch INT	ON
RR WIPER ON	Rear wiper switch OFF	OFF
	Rear wiper switch ON	ON
RR WIPER STOP	Rear wiper stop position	OFF
	Other than rear wiper stop position	ON
TAIL LAMP SW	Lighting switch OFF	OFF
	Lighting switch 1ST	ON

BCM (BODY CONTROL MODULE)

< ECU DIAGNOSIS >

Monitor Item	Condition	Value/Status
TRNK OPNR SW	When back door opener switch is not pressed	OFF
	When back door opener switch is pressed	ON
TURN SIGNAL L	Turn signal switch OFF	OFF
	Turn signal switch LH	ON
TURN SIGNAL R	Turn signal switch OFF	OFF
	Turn signal switch RH	ON
VEHICLE SPEED	While driving	Equivalent to speedometer reading

1: With Intelligent Key

2: With remote keyless entry system

A

B

C

D

E

F

G

H

I

J

K

INL

M

N

O

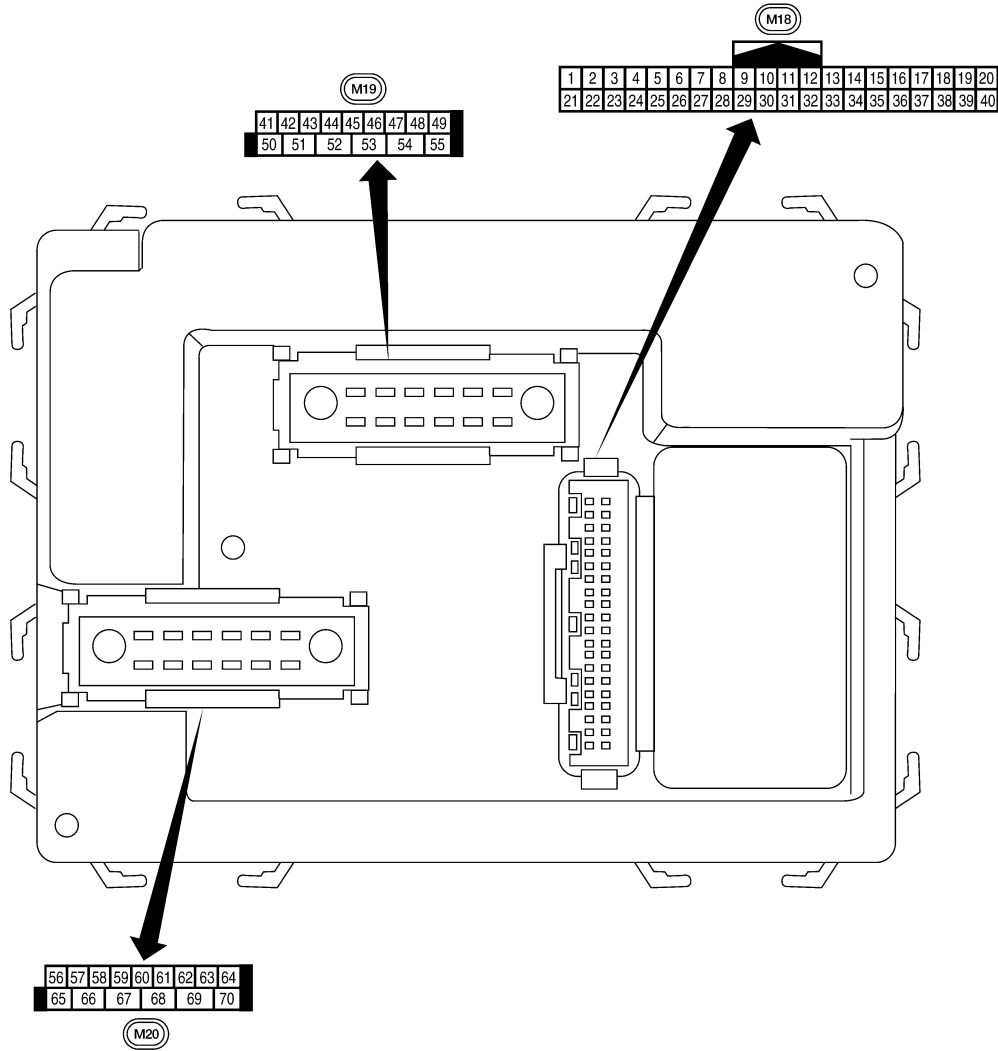
P

BCM (BODY CONTROL MODULE)

< ECU DIAGNOSIS >

Terminal Layout

INFOID:000000004404646




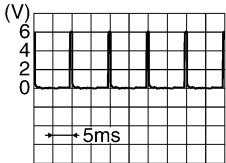

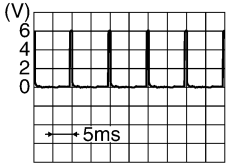
Physical Values

LIA2443E

INFOID:000000004404647

BCM (BODY CONTROL MODULE)

< ECU DIAGNOSIS >

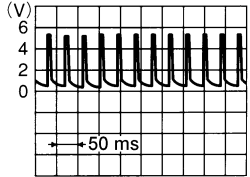
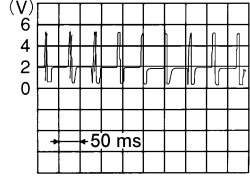
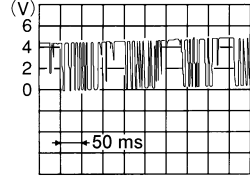
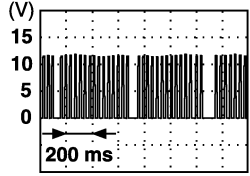
Terminal	Wire color	Signal name	Signal input/output	Measuring condition		Reference value or waveform (Approx.)
				Ignition switch	Operation or condition	
1	BR	Ignition keyhole illumination	Output	OFF	Door is locked (SW OFF)	Battery voltage
					Door is unlocked (SW ON)	0V
2	P	Combination switch input 5	Input	ON	Lighting, turn, wiper OFF Wiper dial position 4	 <p style="text-align: right; font-size: small;">SKIA5291E</p>
3	SB	Combination switch input 4	Input	ON	Lighting, turn, wiper OFF Wiper dial position 4	 <p style="text-align: right; font-size: small;">SKIA5292E</p>
4	V	Combination switch input 3	Input	ON	Lighting, turn, wiper OFF Wiper dial position 4	 <p style="text-align: right; font-size: small;">SKIA5291E</p>
5	L	Combination switch input 2	Input	ON	Lighting, turn, wiper OFF Wiper dial position 4	 <p style="text-align: right; font-size: small;">SKIA5292E</p>
6	R	Combination switch input 1				
9	Y	Rear window defogger switch	Input	ON	Rear window defogger switch ON	0V
					Rear window defogger switch OFF	5V
11	G/B	Ignition switch (ACC or ON)	Input	ACC or ON	Ignition switch ACC or ON	Battery voltage
12	LG	Front door switch RH	Input	OFF	ON (open)	0V
					OFF (closed)	Battery voltage
13	L	Rear door switch RH	Input	OFF	ON (open)	0V
					OFF (closed)	Battery voltage
15	W	Tire pressure warning check connector	Input	OFF	—	5V
18	BR	Remote keyless entry receiver and optical sensor (ground)	Output	OFF	—	0V

A
B
C
D
E
F
G
H
I
J
K
M
N
O
P

INL

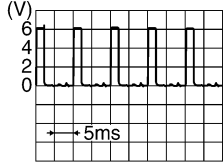

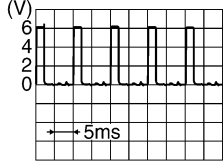
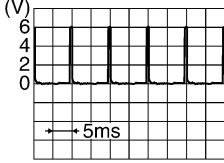
BCM (BODY CONTROL MODULE)

< ECU DIAGNOSIS >

Terminal	Wire color	Signal name	Signal input/output	Measuring condition		Reference value or waveform (Approx.)
				Ignition switch	Operation or condition	
19	V	Remote keyless entry receiver (power supply)	Output	OFF	Ignition switch OFF	 LIA1893E
20	G	Remote keyless entry receiver (signal)	Input	OFF	Stand-by (keyfob buttons released)	 LIA1894E
					When remote keyless entry receiver receives signal from keyfob (keyfob buttons pressed)	 LIA1895E
21	GR	NATS antenna amp.	Input	OFF → ON	Ignition switch (OFF → ON)	Just after turning ignition switch ON: Pointer of tester should move for approx. 1 second, then return to battery voltage.
22	V	BUS	—	—	Ignition switch ON or power window timer operates	 PIIA2344E
23	G	Security indicator lamp	Output	OFF	Goes OFF → illuminates (Every 2.4 seconds)	Battery voltage → 0V
25	BR	NATS antenna amp.	Input	OFF → ON	Ignition switch (OFF → ON)	Just after turning ignition switch ON: Pointer of tester should move for approx. 1 second, then return to battery voltage.
27	W	Compressor ON signal	Input	ON	A/C switch OFF	5V
					A/C switch ON	0V
28	LG	Front blower monitor	Input	ON	Front blower motor OFF	Battery voltage
					Front blower motor ON	0V
29	G	Hazard switch	Input	OFF	ON	0V
					OFF	5V
30 ¹	G	Back door opener switch	Input	OFF	ON (open)	0V
					OFF (closed)	Battery voltage
30 ²	SB	Back door opener switch	Input	OFF	ON (open)	0V
					OFF (closed)	Battery voltage

BCM (BODY CONTROL MODULE)

< ECU DIAGNOSIS >

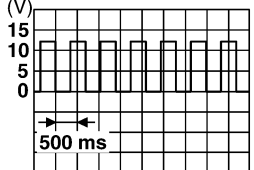
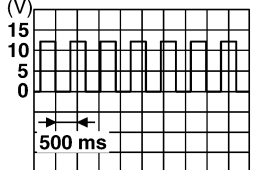
Terminal	Wire color	Signal name	Signal input/output	Measuring condition		Reference value or waveform (Approx.)
				Ignition switch	Operation or condition	
32	O	Combination switch output 5	Output	ON	Lighting, turn, wiper OFF Wiper dial position 4	 <p style="text-align: right; font-size: small;">SKIA5291E</p>
33	GR	Combination switch output 4	Output	ON	Lighting, turn, wiper OFF Wiper dial position 4	 <p style="text-align: right; font-size: small;">SKIA5292E</p>
34	G	Combination switch output 3	Output	ON	Lighting, turn, wiper OFF Wiper dial position 4	 <p style="text-align: right; font-size: small;">SKIA5291E</p>
35	BR	Combination switch output 2	Output	ON	Lighting, turn, wiper OFF Wiper dial position 4	 <p style="text-align: right; font-size: small;">SKIA5292E</p>
36	LG	Combination switch output 1				
37 ¹	B	Key switch and key lock solenoid	Input	OFF	Key inserted	Battery voltage
					Key inserted	0V
37 ²	B	Key switch and ignition knob switch	Input	OFF	Intelligent Key inserted	Battery voltage
					Intelligent Key inserted	0V
38	W/R	Ignition switch (ON)	Input	ON	—	Battery voltage
39	L	CAN-H	—	—	—	—
40	P	CAN-L	—	—	—	—
42	LG	Glass hatch ajar switch	Input	ON	Glass hatch open	0
					Glass hatch closed	Battery
43	P	Back door latch switch	Input	OFF	ON (open)	0V
					OFF (closed)	Battery voltage

A
B
C
D
E
F
G
H
I
J
K
M
N
O
P

INL

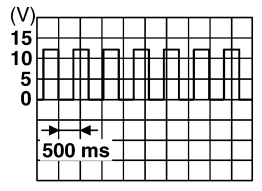
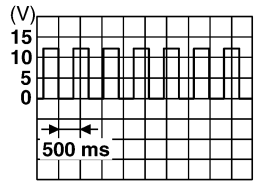
BCM (BODY CONTROL MODULE)

< ECU DIAGNOSIS >

Terminal	Wire color	Signal name	Signal input/output	Measuring condition		Reference value or waveform (Approx.)
				Ignition switch	Operation or condition	
44	O	Rear wiper auto stop switch	Input	ON	Rise up position (rear wiper arm on stopper)	0V
					A Position (full clockwise stop position)	Battery voltage
					Forward sweep (counterclockwise direction)	Fluctuating
					B Position (full counterclockwise stop position)	0V
					Reverse sweep (clockwise direction)	Fluctuating
47	GR	Front door switch LH	Input	OFF	ON (open)	0V
					OFF (closed)	Battery voltage
48	P	Rear door switch LH	Input	OFF	ON (open)	0V
					OFF (closed)	Battery voltage
49	L	Cargo lamp	Output	OFF	Any door open (ON)	0V
					All doors closed (OFF)	Battery voltage
51	G	Trailer turn signal (right)	Output	ON	Turn right ON	 <p style="text-align: right; font-size: small;">SKIA3009J</p>
52	V	Trailer turn signal (left)	Output	ON	Turn left ON	 <p style="text-align: right; font-size: small;">SKIA3009J</p>
53	L	Back door latch actuator	Output	OFF	OFF	0
					ON	Battery voltage
55	W	Rear wiper output circuit 1	Output	ON	OFF	0
					ON	Battery voltage
56	V	Battery saver output	Output	OFF	30 minutes after ignition switch is turned OFF	0V
				ON	—	Battery voltage
57	R/Y	Battery power supply	Input	OFF	—	Battery voltage
58	W	Optical sensor	Input	ON	When optical sensor is illuminated	3.1V or more
					When optical sensor is not illuminated	0.6V or less
59	GR	Front door lock assembly LH actuator (unlock)	Output	OFF	OFF (neutral)	0V
					ON (unlock)	Battery voltage

BCM (BODY CONTROL MODULE)

< ECU DIAGNOSIS >

Terminal	Wire color	Signal name	Signal input/output	Measuring condition		Reference value or waveform (Approx.)
				Ignition switch	Operation or condition	
60	LG	Turn signal (left)	Output	ON	Turn left ON	 <p style="text-align: right; font-size: small;">SKIA3009J</p>
61	G	Turn signal (right)	Output	ON	Turn right ON	 <p style="text-align: right; font-size: small;">SKIA3009J</p>
63	BR	Interior room/map lamp	Output	OFF	Any door switch	ON (open) 0V
					OFF (closed) Battery voltage	
65	V	All door lock actuators (lock)	Output	OFF	OFF (neutral) 0V	
					ON (lock) Battery voltage	
66	L	Front door lock actuator RH, rear door lock actuators LH/RH and glass hatch lock actuator (unlock)	Output	OFF	OFF (neutral) 0V	
					ON (unlock) Battery voltage	
67	B	Ground	Input	ON	—	0V
68	O	Power window power supply (RAP)	Output	—	Ignition switch ON Battery voltage	
					Within 45 seconds after ignition switch OFF Battery voltage	
					More than 45 seconds after ignition switch OFF 0V	
					When front door LH or RH is open or power window timer operates 0V	
69	L	Power window power supply	Output	—	—	Battery voltage
70	W	Battery power supply	Input	OFF	—	Battery voltage

1: With remote keyless entry system

2: With Intelligent Key system

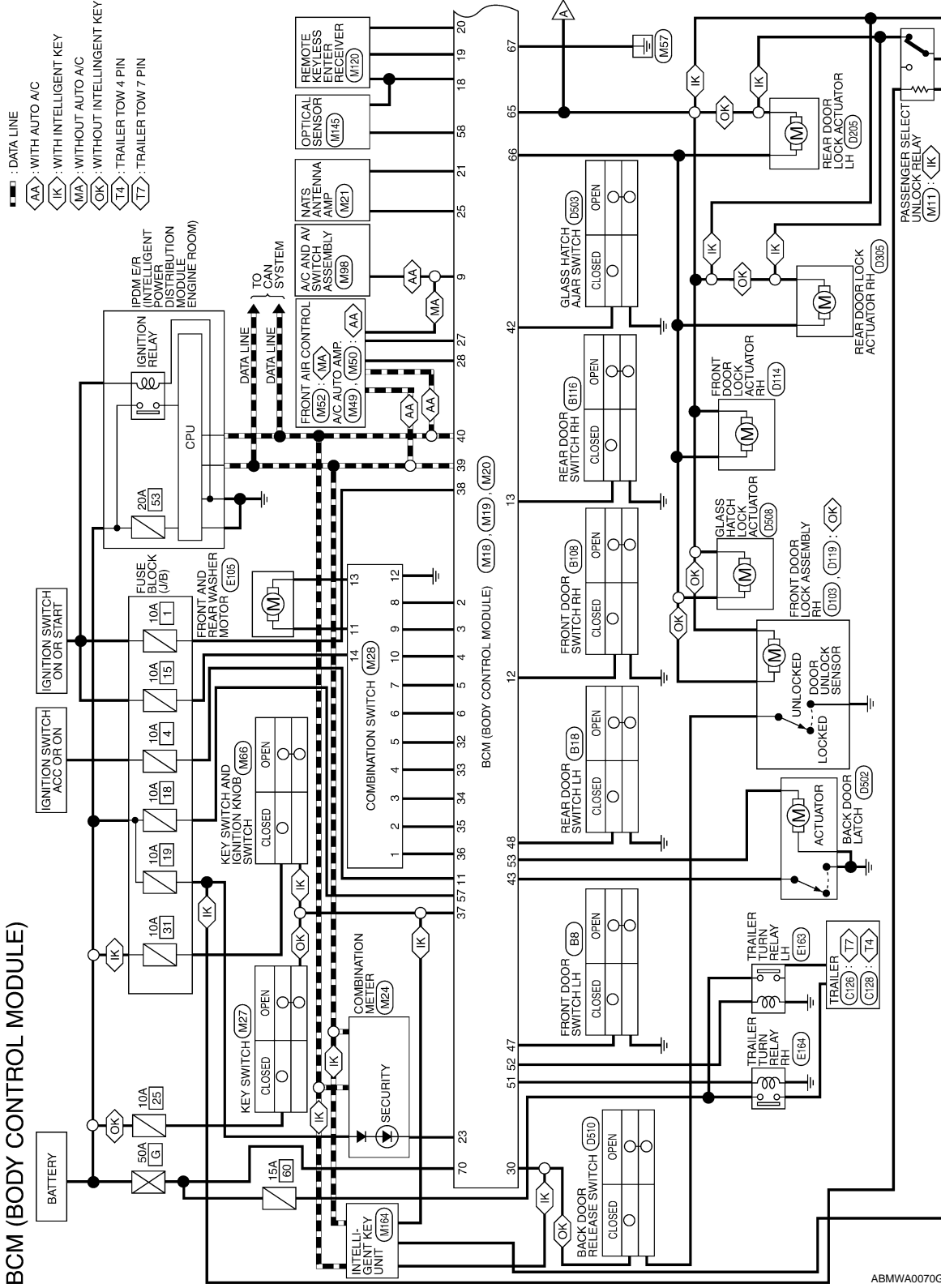
A
B
C
D
E
F
G
H
I
J
K
INL
M
N
O
P

BCM (BODY CONTROL MODULE)

< ECU DIAGNOSIS >

Wiring Diagram

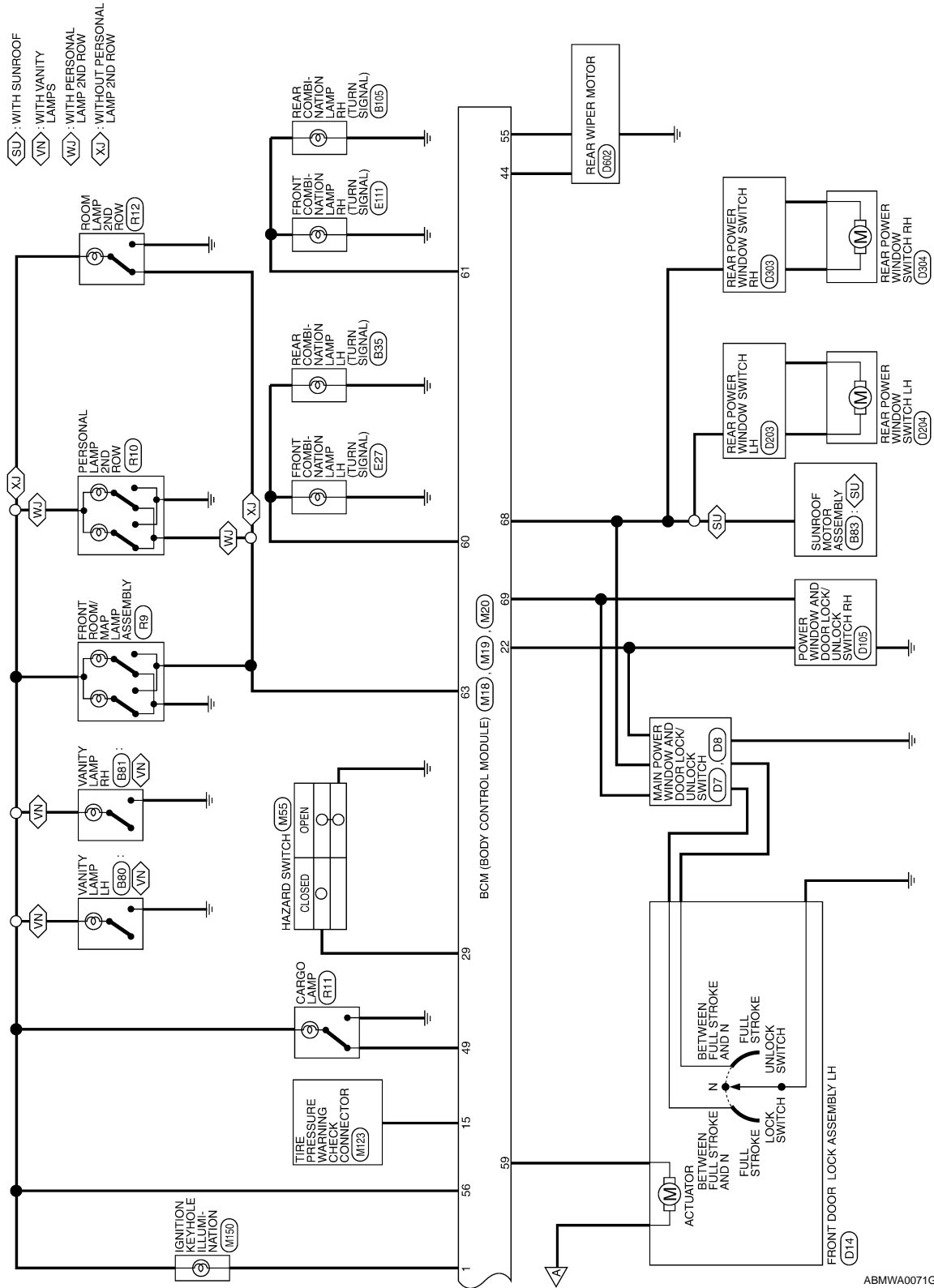
INFOID:000000004404648



ABMWA0070GI

BCM (BODY CONTROL MODULE)

< ECU DIAGNOSIS >



ABMWA0071G1

A
B
C
D
E
F
G
H
I
J
K
L
M
N
O
P

INL

BCM (BODY CONTROL MODULE)

< ECU DIAGNOSIS >

BCM (BODY CONTROL MODULE) CONNECTORS

Connector No.	M18
Connector Name	BCM (BODY CONTROL MODULE)
Connector Color	WHITE



1	2	3	4	5	6	7	8	9	10	11	12	13	14	15	16	17	18	19	20
21	22	23	24	25	26	27	28	29	30	31	32	33	34	35	36	37	38	39	40

Terminal No.	Color of Wire	Signal Name
1	BR	KEY RING OUTPUT
2	P	INPUT 5
3	SB	INPUT 4
4	V	INPUT 3
5	L	INPUT 2
6	R	INPUT 1
7	-	-
8	-	-
9	Y	REAR DEFOGGER SW
10	-	-

Connector No.	M19
Connector Name	BCM (BODY CONTROL MODULE)
Connector Color	WHITE



41	42	43	44	45	46	47	48	49
50	51	52	53	54	55			

Terminal No.	Color of Wire	Signal Name
41	-	-
42	LG	GLASS HATCH SW
43	P	BACK DOOR SW

Terminal No.	Color of Wire	Signal Name
11	G/B	ACC SW
12	LG	DOOR SW (AS)
13	L	DOOR SW (RR)
14	-	-
15	W	TPMS MODE TRIGGER SW
16	-	-
17	-	-
18	BR	KEYLESS AND AUTOLIGHT SENSOR GND
19	V	KEYLESS TUNER POWER SUPPLY OUTPUT
20	G	KEYLESS TUNER SIGNAL
21	GR	IMMOBILIZER ANTENNA SIG (CLOCK)
22	V	ANTI-PINCH SERIAL LINK (RX, TX)
23	G	SECURITY INDICATOR OUTPUT

Terminal No.	Color of Wire	Signal Name
25	BR	IMMOBILIZER ANTENNA SIGNAL (TX, RX)
26	-	-
27	W	AIRCON SW
28	LG	BLOWER FAN SW
29	G	HAZARD SW
30	SB	BACK DOOR AUTO CLOSURE (WITH INTELLIGENT KEY SYSTEM)
30	G	LIFTGATE OPENER SW (WITHOUT INTELLIGENT KEY SYSTEM)
31	-	-
32	O	OUTPUT 5
33	GR	OUTPUT 4
34	G	OUTPUT 3
35	BR	OUTPUT 2
36	LG	OUTPUT 1
37	B	KEY SW
38	W/R	IGN SW
39	L	CAN-H
40	P	CAN-L

Terminal No.	Color of Wire	Signal Name
44	O	REAR WIPE AUTO STOP SW1
45	-	-
46	-	-
47	GR	DOOR SW (DR)
48	P	DOOR SW (RL)
49	L	LUGGAGE LAMP OUTPUT
50	-	-
51	G	TRAILER FLASHER OUTPUT (RIGHT)

Terminal No.	Color of Wire	Signal Name
52	V	TRAILER FLASHER OUTPUT (LEFT)
53	L	LIFT GATE OPENER OUTPUT
54	-	-
55	W	REAR WIPE MOTOR OUTPUT1

ABMIA0161GB

BCM (BODY CONTROL MODULE)

< ECU DIAGNOSIS >

Connector No.	M20
Connector Name	BCM (BODY CONTROL MODULE)
Connector Color	BLACK



56	57	58	59	60	61	62	63	64
65	66	67	68	69	70			

Terminal No.	Color of Wire	Signal Name
56	V	BAT SAVER OUTPUT
57	R/Y	BAT (FUSE)
58	W	AUTO LIGHT SENSOR INPUT 2
59	GR	DOOR UNLOCK OUTPUT (DR)
60	LG	FLASHER OUTPUT (LEFT)



12	13	10	9	8	7		
14	11	1	2	3	4	5	6

Connector No.	M28
Connector Name	COMBINATION SWITCH
Connector Color	WHITE

Terminal No.	Color of Wire	Signal Name
61	G	FLASHER OUTPUT (RIGHT)
62	-	-
63	BR	ROOM LAMP
64	-	-
65	V	DOOR LOCK OUTPUT (ALL)
66	L	DOOR UNLOCK OUTPUT (OTHER)
67	B	GND (POWER)
68	O	POWER WINDOW POWER SUPPLY OUTPUT (LINKED TO RAP)
69	L	POWER WINDOW POWER SUPPLY OUTPUT (BAT)
70	W	BAT (F/L)

Terminal No.	Color of Wire	Signal Name
1	LG	INPUT 1
2	BR	INPUT 2
3	G	INPUT 3
4	GR	INPUT 4
5	O	INPUT 5
6	R	OUTPUT 1
7	L	OUTPUT 2
8	P	OUTPUT 5
9	SB	OUTPUT 4
10	V	OUTPUT 3
11	O	WASHER MOTOR (RR+)
12	B	GND
13	L	WASHER MOTOR (RR-)
14	W/G	IGN

DTC Inspection Priority Chart

If some DTCs are displayed at the same time, perform inspections one by one based on the following priority chart.

ABMIA0162GB

INFOID:000000004404649

A
B
C
D
E
F
G
H
I
J
K
L
M
N
O
P

INL

BCM (BODY CONTROL MODULE)

< ECU DIAGNOSIS >

Priority	DTC
1	<ul style="list-style-type: none"> • U1000: CAN COMM CIRCUIT • U1010: CONTROL UNIT (CAN)
2	<ul style="list-style-type: none"> • B2190: NATS ANTENNA AMP • B2191: DIFFERENCE OF KEY • B2192: ID DISCORD BCM-ECM • B2193: CHAIN OF BCM-ECM • B2013: STRG COMM 1 • B2552: INTELLIGENT KEY • B2590: NATS MALFUNCTION
3	<ul style="list-style-type: none"> • C1729: VHCL SPEED SIG ERR • C1735: IGNITION SIGNAL
4	<ul style="list-style-type: none"> • C1704: LOW PRESSURE FL • C1705: LOW PRESSURE FR • C1706: LOW PRESSURE RR • C1707: LOW PRESSURE RL • C1708: [NO DATA] FL • C1709: [NO DATA] FR • C1710: [NO DATA] RR • C1711: [NO DATA] RL • C1712: [CHECKSUM ERR] FL • C1713: [CHECKSUM ERR] FR • C1714: [CHECKSUM ERR] RR • C1715: [CHECKSUM ERR] RL • C1716: [PRESSDATA ERR] FL • C1717: [PRESSDATA ERR] FR • C1718: [PRESSDATA ERR] RR • C1719: [PRESSDATA ERR] RL • C1720: [CODE ERR] FL • C1721: [CODE ERR] FR • C1722: [CODE ERR] RR • C1723: [CODE ERR] RL • C1724: [BATT VOLT LOW] FL • C1725: [BATT VOLT LOW] FR • C1726: [BATT VOLT LOW] RR • C1727: [BATT VOLT LOW] RL

DTC Index

INFOID:000000004404650

NOTE:

- Details of time display
- CRNT: Displays when there is a malfunction now or after returning to the normal condition until turning ignition switch OFF → ON again.
- 1 - 39: Displayed if any previous malfunction is present when current condition is normal. It increases like 1 → 2 → 3...38 → 39 after returning to the normal condition whenever ignition switch OFF → ON. The counter remains at 39 even if the number of cycles exceeds it. It is counted from 1 again when turning ignition switch OFF → ON after returning to the normal condition if the malfunction is detected again.

CONSULT display	Fail-safe	Intelligent Key warning lamp ON	Tire pressure monitor warning lamp ON	Reference page
No DTC is detected. further testing may be required.	—	—	—	—
U1000: CAN COMM CIRCUIT	—	—	—	BCS-33
U1010: CONTROL UNIT (CAN)	—	—	—	BCS-34
B2013: STRG COMM 1	—	—	—	SEC-27
B2190: NATS ANTENNA AMP	—	—	—	SEC-30 (with I-Key), SEC-136 (without I-Key)

BCM (BODY CONTROL MODULE)

< ECU DIAGNOSIS >

CONSULT display	Fail-safe	Intelligent Key warning lamp ON	Tire pressure monitor warning lamp ON	Reference page	A
B2191: DIFFERENCE OF KEY	—	—	—	SEC-33 (with I-Key), SEC-139 (without I-Key)	B
B2192: ID DISCORD BCM-ECM	—	—	—	SEC-34 (with I-Key), SEC-140 (without I-Key)	C
B2193: CHAIN OF BCM-ECM	—	—	—	SEC-36 (with I-Key), SEC-142 (without I-Key)	D
B2552: INTELLIGENT KEY	—	—	—	SEC-38	
B2590: NATS MALFUNCTION	—	—	—	SEC-39	E
C1708: [NO DATA] FL	—	—	—	WT-14	
C1709: [NO DATA] FR	—	—	—	WT-14	F
C1710: [NO DATA] RR	—	—	—	WT-14	
C1711: [NO DATA] RL	—	—	—	WT-14	G
C1712: [CHECKSUM ERR] FL	—	—	—	WT-16	
C1713: [CHECKSUM ERR] FR	—	—	—	WT-16	H
C1714: [CHECKSUM ERR] RR	—	—	—	WT-16	
C1715: [CHECKSUM ERR] RL	—	—	—	WT-16	I
C1716: [PRESSDATA ERR] FL	—	—	—	WT-18	
C1717: [PRESSDATA ERR] FR	—	—	—	WT-18	J
C1718: [PRESSDATA ERR] RR	—	—	—	WT-18	
C1719: [PRESSDATA ERR] RL	—	—	—	WT-18	K
C1720: [CODE ERR] FL	—	—	—	WT-16	
C1721: [CODE ERR] FR	—	—	—	WT-16	INL
C1722: [CODE ERR] RR	—	—	—	WT-16	
C1723: [CODE ERR] RL	—	—	—	WT-16	M
C1724: [BATT VOLT LOW] FL	—	—	—	WT-16	
C1725: [BATT VOLT LOW] FR	—	—	—	WT-16	N
C1726: [BATT VOLT LOW] RR	—	—	—	WT-16	
C1727: [BATT VOLT LOW] RL	—	—	—	WT-16	O
C1729: VHCL SPEED SIG ERR	—	—	—	WT-19	
C1735: IGNITION SWITCH	—	—	—	—	P

INTERIOR LIGHTING SYSTEM SYMPTOMS

< SYMPTOM DIAGNOSIS >

SYMPTOM DIAGNOSIS

INTERIOR LIGHTING SYSTEM SYMPTOMS

Symptom Table

INFOID:000000003938866

CAUTION:

Perform the self-diagnosis with CONSULT-III before the symptom diagnosis. Perform the trouble diagnosis if any DTC is detected.

Symptom	Possible cause	Inspection item
All of the following lamps do not turn ON <ul style="list-style-type: none"> • Front room/map lamp assembly • Personal lamp 2nd row (with personal lamp 2nd row) • Room lamp 2nd row (without personal lamp 2nd row) • Cargo room lamp • Vanity mirror lamps (if equipped) • Ignition keyhole illumination 	<ul style="list-style-type: none"> • Harness between BCM and each interior room lamp • Harness between BCM and each door switch • BCM 	Battery saver output/power supply circuit Refer to INL-16 .
Some or all of the following interior room lamps do not turn ON/OFF <ul style="list-style-type: none"> • Front room/map lamp assembly • Personal lamp 2nd row (with personal lamp 2nd row) • Room lamp 2nd row (without personal lamp 2nd row) 	<ul style="list-style-type: none"> • Harness between BCM and each interior room lamp • BCM 	Door switch circuit Refer to DLK-57 (with Intelligent Key system) or DLK-226 (without Intelligent Key system). Interior room lamp control circuit Refer to INL-18 .
Cargo lamp does not turn ON/OFF	<ul style="list-style-type: none"> • Harness between BCM and cargo lamp • BCM 	Cargo lamp circuit Refer to INL-20 .
Ignition keyhole illumination does not turn ON/OFF	<ul style="list-style-type: none"> • Harness between BCM and cargo lamp • BCM 	Ignition keyhole illumination circuit Refer to INL-22
Interior room lamp timer does not activate. (It turns ON/ OFF when the door opens/closes.)	—	Check the interior room lamp setting. Refer to INL-12 .
Interior room lamp battery saver does not activate.	—	Check the interior room lamp battery saver setting. Refer to INL-13 .

PRECAUTIONS

< PRECAUTION >

PRECAUTION

PRECAUTIONS

Supplemental Restraint System (SRS) "AIR BAG" and "SEAT BELT PRE-TENSIONER"

INFOID:000000003938867

The Supplemental Restraint System such as "AIR BAG" and "SEAT BELT PRE-TENSIONER", used along with a front seat belt, helps to reduce the risk or severity of injury to the driver and front passenger for certain types of collision. This system includes seat belt switch inputs and dual stage front air bag modules. The SRS system uses the seat belt switches to determine the front air bag deployment, and may only deploy one front air bag, depending on the severity of a collision and whether the front occupants are belted or unbelted. Information necessary to service the system safely is included in the SR and SB section of this Service Manual.

WARNING:

- To avoid rendering the SRS inoperative, which could increase the risk of personal injury or death in the event of a collision which would result in air bag inflation, all maintenance must be performed by an authorized NISSAN/INFINITI dealer.
- Improper maintenance, including incorrect removal and installation of the SRS, can lead to personal injury caused by unintentional activation of the system. For removal of Spiral Cable and Air Bag Module, see the SR section.
- Do not use electrical test equipment on any circuit related to the SRS unless instructed to in this Service Manual. SRS wiring harnesses can be identified by yellow and/or orange harnesses or harness connectors.

Precaution Necessary for Steering Wheel Rotation After Battery Disconnect

INFOID:000000004399700

NOTE:

- This Procedure is applied only to models with Intelligent Key system and NATS (NISSAN ANTI-THEFT SYSTEM).
- Remove and install all control units after disconnecting both battery cables with the ignition knob in the "LOCK" position.
- Always use CONSULT-III to perform self-diagnosis as a part of each function inspection after finishing work. If DTC is detected, perform trouble diagnosis according to self-diagnostic results.

For models equipped with the Intelligent Key system and NATS, an electrically controlled steering lock mechanism is adopted on the key cylinder.

For this reason, if the battery is disconnected or if the battery is discharged, the steering wheel will lock and steering wheel rotation will become impossible.

If steering wheel rotation is required when battery power is interrupted, follow the procedure below before starting the repair operation.

OPERATION PROCEDURE

1. Connect both battery cables.

NOTE:

Supply power using jumper cables if battery is discharged.

2. Use the Intelligent Key or mechanical key to turn the ignition switch to the "ACC" position. At this time, the steering lock will be released.
3. Disconnect both battery cables. The steering lock will remain released and the steering wheel can be rotated.
4. Perform the necessary repair operation.
5. When the repair work is completed, return the ignition switch to the "LOCK" position before connecting the battery cables. (At this time, the steering lock mechanism will engage.)
6. Perform a self-diagnosis check of all control units using CONSULT-III.

General precautions for service operations

INFOID:000000003938868

- When removing or disassembling any part, be careful not to damage or deform it. Protect parts which may get in the way with cloth.
- When removing parts with a screw driver or other tool, protect parts by wrapping them with vinyl or tape.

PRECAUTIONS

< PRECAUTION >

- Keep removed parts protected with cloth.
- If a non-reusable part is removed, replace it with a new one.
- After re-assembly has been completed, make sure each part functions correctly.
- Never work with wet hands.
- Turn the lighting switch OFF before disconnecting and connecting the connector.
- Do not use organic solvent (paint thinner or gasoline) to clean lamps or remove sealant residue.

INTERIOR ROOM LAMP

< ON-VEHICLE REPAIR >

ON-VEHICLE REPAIR

INTERIOR ROOM LAMP

Removal and Installation

INFOID:000000003938869

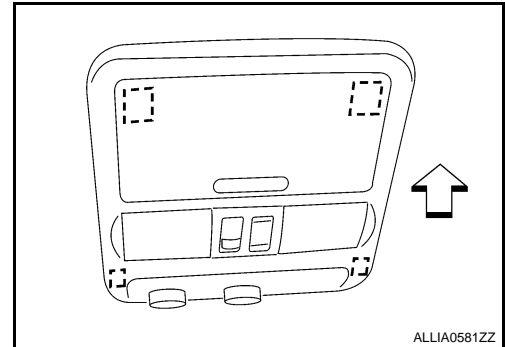
MAP LAMP

Removal

The map lamp is replaced as part of the overhead console assembly. Refer to [INT-20. "Removal and Installation"](#).

[]: Metal clip

←: Vehicle front



Installation

Installation is in the reverse order of removal.

Bulb Replacement

1. Disconnect the negative battery terminal.
2. Using a suitable tool (A), remove map lamp lens (1).

○: Pawl

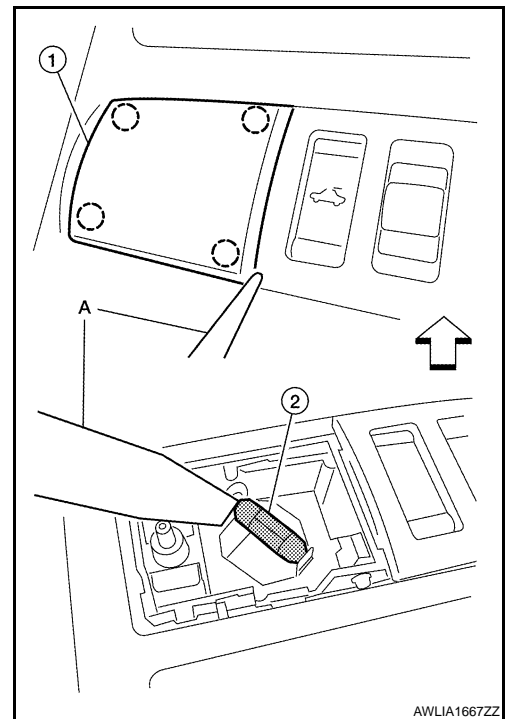
←: Vehicle front

CAUTION:

Wrap a cloth around tool to protect the housing and lens.

3. Release one side of the bulb (2) from the tab, then pull straight downward to remove.

Map lamp bulb : 12V - 8W



VANITY MIRROR LAMP (if equipped)

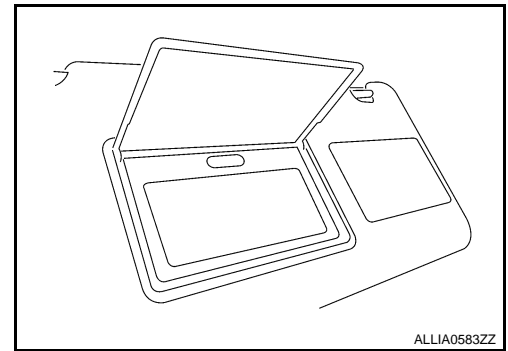
Removal

A
B
C
D
E
F
G
H
I
J
K
INL
M
N
O
P

INTERIOR ROOM LAMP

< ON-VEHICLE REPAIR >

The vanity mirror lamp is replaced as part of the sunvisor assembly. Refer to [INT-20, "Removal and Installation"](#).



Installation

Installation is in the reverse order of removal.

Bulb Replacement

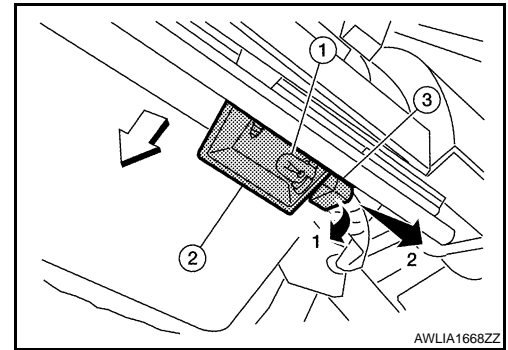
The vanity mirror lamp bulb is replaced as part of the sunvisor assembly. Refer to [INT-20, "Removal and Installation"](#).

GLOVE BOX LAMP

Removal

1. Remove lower instrument panel RH and glove box. Refer to [IP-11, "Removal and Installation"](#).
2. Rotate glove box lamp socket (3) with bulb (1) counterclockwise, then pull away from lamp shield (2) on steering member to remove.

⇐: Vehicle front



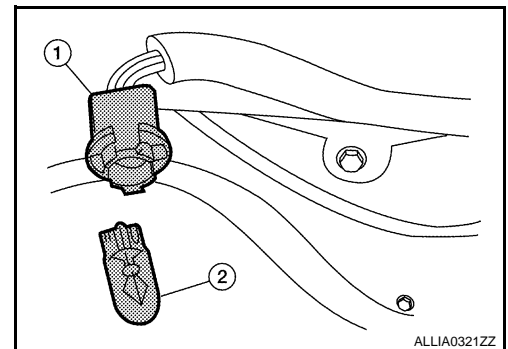
Installation

Installation is in the reverse order of removal.

Bulb Replacement

1. Disconnect the negative battery terminal.
2. Remove glove box lamp.
3. Pull bulb (2) straight out from glove box lamp socket (1) to remove.

Glove box lamp bulb : 12V - 3.4W



PERSONAL LAMP

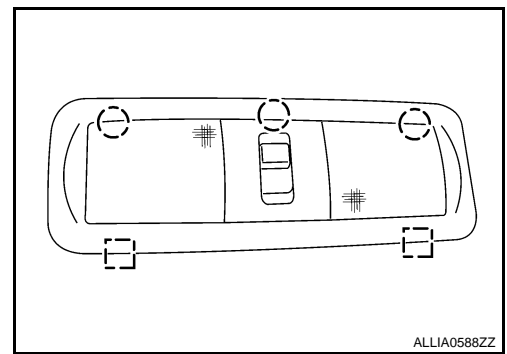
Removal

1. Disconnect the negative battery terminal.

INTERIOR ROOM LAMP

< ON-VEHICLE REPAIR >

2. Release the clips and remove personal lamp from headlining. Refer to [INT-20, "Removal and Installation"](#).
○: Pawl
□: Metal clip
3. Disconnect personal lamp electrical connector, then remove from overhead console.

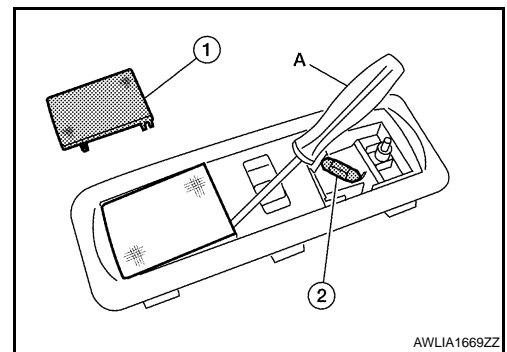


Installation

Installation is in the reverse order of removal.

Bulb Replacement

1. Remove personal lamp.
2. Using a suitable tool (A), release the pawls and remove personal lamp lens (1).
CAUTION:
Wrap a cloth around tool to protect the housing and lens.
3. Release one side of the bulb (2) from the tab, then pull straight downward to remove.



Personal lamp bulb : 12V - 8W

A
B
C
D
E
F
G
H
I
J
K
INL
M
N
O
P

ILLUMINATION

< ON-VEHICLE REPAIR >

ILLUMINATION

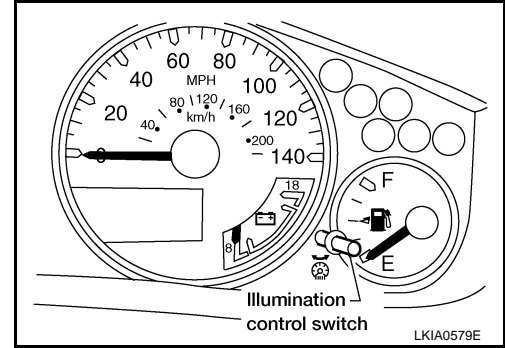
Removal and Installation

INFOID:000000003938870

ILLUMINATION CONTROL SWITCH

Removal

The illumination control switch (1) is replaced as a part of the combination meter assembly. Refer to [MWI-94, "Removal and Installation"](#).



Installation

Installation is in the reverse order of removal.

CARGO LAMP

Removal

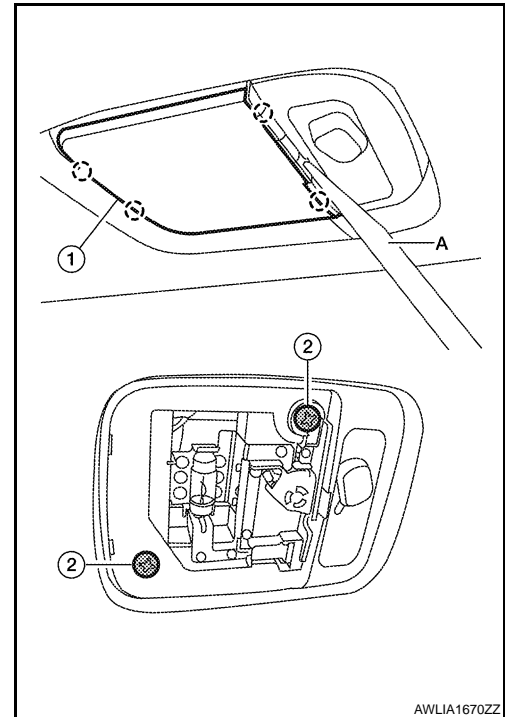
1. Disconnect the negative battery terminal.
2. Using a suitable tool (A), release the pawls and remove the cargo lamp lens (1).

○: Pawl

CAUTION:

Wrap a cloth around tool to protect the housing and lens.

3. Remove cargo lamp screws (2).
4. Disconnect the connector, then remove cargo lamp.



Installation

Installation is in the reverse order of removal.

Bulb Replacement

1. Disconnect the negative battery terminal.
2. Using a suitable tool, release the pawls and remove the cargo lamp lens.

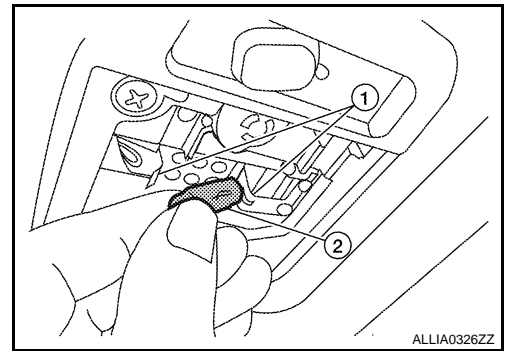
ILLUMINATION

< ON-VEHICLE REPAIR >

3. Release the cargo lamp bulb retainers (1), then pull bulb (2) straight out to remove.

Cargo lamp bulb

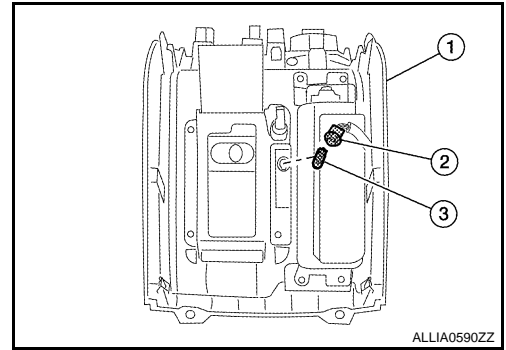
: 12V - 8W



AT FINISHER LAMP

Removal

1. Remove AT finisher from center console. Refer to [IP-11, "Removal and Installation"](#).
2. Rotate AT finisher lamp socket (2) with bulb (3) counterclockwise, then pull away from finisher (1).



Installation

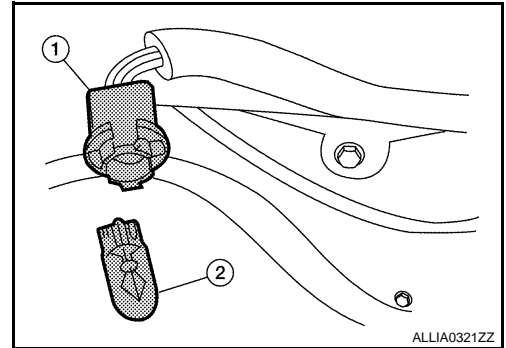
Installation is in the reverse order of removal.

Bulb Replacement

1. Remove AT finisher from center console. Refer to [IP-11, "Removal and Installation"](#).
2. Remove AT finisher lamp socket (1), then pull bulb (2) straight out from socket.

AT finisher lamp bulb

: 12V - 3W



A
B
C
D
E
F
G
H
I
J
K
INL
M
N
O
P

BULB SPECIFICATIONS

< SERVICE DATA AND SPECIFICATIONS (SDS)

SERVICE DATA AND SPECIFICATIONS (SDS)

BULB SPECIFICATIONS

Interior Lamp/Illumination

INFOID:000000003938871

Item	Wattage (W)*
Map lamp	8
Vanity lamp (if equipped)	*
Glove box lamp	3.4
Personal lamp	8
Cargo lamp	8
A/T finisher lamp	3

*: Always check with the Parts Department for the latest parts information.