

ENGINE LUBRICATION SYSTEM

CONTENTS

VQ40DE		DISASSEMBLY AND ASSEMBLY	15
PRECAUTION	3	OIL PUMP	15
PRECAUTIONS	3	Disassembly and Assembly	15
Precaution for Supplemental Restraint System (SRS) "AIR BAG" and "SEAT BELT PRE-TENSIONER"	3	SERVICE DATA AND SPECIFICATIONS (SDS)	17
Precaution Necessary for Steering Wheel Rotation After Battery Disconnect	3	SERVICE DATA AND SPECIFICATIONS (SDS)	17
Precaution for Liquid Gasket	3	Standard and Limit	17
PREPARATION	5	VK56DE	
PREPARATION	5	PRECAUTION	18
Special Service Tool	5	PRECAUTIONS	18
Commercial Service Tool	5	Precaution for Supplemental Restraint System (SRS) "AIR BAG" and "SEAT BELT PRE-TENSIONER"	18
FUNCTION DIAGNOSIS	7	Precaution Necessary for Steering Wheel Rotation After Battery Disconnect	18
LUBRICATION SYSTEM	7	Precaution for Liquid Gasket	18
Lubrication Circuit	7	PREPARATION	20
System Chart	7	PREPARATION	20
ON-VEHICLE MAINTENANCE	8	Special Service Tool	20
ENGINE OIL	8	Commercial Service Tool	20
Inspection	8	FUNCTION DIAGNOSIS	22
Changing Engine Oil	9	LUBRICATION SYSTEM	22
OIL FILTER	11	Lubrication Circuit	22
Removal and Installation	11	System Chart	23
ON-VEHICLE REPAIR	12	ON-VEHICLE MAINTENANCE	24
OIL COOLER	12	ENGINE OIL	24
Exploded View	12	Inspection	24
Removal and Installation	12	Changing Engine Oil	25
OIL PUMP	14	OIL FILTER	27
Exploded View	14		
Removal and Installation	14		

Removal and Installation	27	DISASSEMBLY AND ASSEMBLY	32
ON-VEHICLE REPAIR	28	OIL PUMP	32
OIL COOLER	28	Disassembly and Assembly	32
Exploded View	28	SERVICE DATA AND SPECIFICATIONS	
Removal and Installation	28	(SDS)	34
OIL PUMP	30	SERVICE DATA AND SPECIFICATIONS	
Exploded View	30	(SDS)	34
Removal and Installation	30	Standard and Limit	34

PRECAUTION

PRECAUTIONS

Precaution for Supplemental Restraint System (SRS) "AIR BAG" and "SEAT BELT PRE-TENSIONER"

INFOID:000000003939425

The Supplemental Restraint System such as "AIR BAG" and "SEAT BELT PRE-TENSIONER", used along with a front seat belt, helps to reduce the risk or severity of injury to the driver and front passenger for certain types of collision. This system includes seat belt switch inputs and dual stage front air bag modules. The SRS system uses the seat belt switches to determine the front air bag deployment, and may only deploy one front air bag, depending on the severity of a collision and whether the front occupants are belted or unbelted. Information necessary to service the system safely is included in the SR and SB section of this Service Manual.

WARNING:

- To avoid rendering the SRS inoperative, which could increase the risk of personal injury or death in the event of a collision which would result in air bag inflation, all maintenance must be performed by an authorized NISSAN/INFINITI dealer.
- Improper maintenance, including incorrect removal and installation of the SRS, can lead to personal injury caused by unintentional activation of the system. For removal of Spiral Cable and Air Bag Module, see the SR section.
- Do not use electrical test equipment on any circuit related to the SRS unless instructed to in this Service Manual. SRS wiring harnesses can be identified by yellow and/or orange harnesses or harness connectors.

Precaution Necessary for Steering Wheel Rotation After Battery Disconnect

INFOID:000000004448919

NOTE:

- This Procedure is applied only to models with Intelligent Key system and NATS (NISSAN ANTI-THEFT SYSTEM).
- Remove and install all control units after disconnecting both battery cables with the ignition knob in the "LOCK" position.
- Always use CONSULT-III to perform self-diagnosis as a part of each function inspection after finishing work. If DTC is detected, perform trouble diagnosis according to self-diagnostic results.

For models equipped with the Intelligent Key system and NATS, an electrically controlled steering lock mechanism is adopted on the key cylinder.

For this reason, if the battery is disconnected or if the battery is discharged, the steering wheel will lock and steering wheel rotation will become impossible.

If steering wheel rotation is required when battery power is interrupted, follow the procedure below before starting the repair operation.

OPERATION PROCEDURE

1. Connect both battery cables.
 - NOTE:**
Supply power using jumper cables if battery is discharged.
2. Use the Intelligent Key or mechanical key to turn the ignition switch to the "ACC" position. At this time, the steering lock will be released.
3. Disconnect both battery cables. The steering lock will remain released and the steering wheel can be rotated.
4. Perform the necessary repair operation.
5. When the repair work is completed, return the ignition switch to the "LOCK" position before connecting the battery cables. (At this time, the steering lock mechanism will engage.)
6. Perform a self-diagnosis check of all control units using CONSULT-III.

Precaution for Liquid Gasket

INFOID:000000003939426

REMOVAL OF LIQUID GASKET SEALING

PRECAUTIONS

[VQ40DE]

< PRECAUTION >

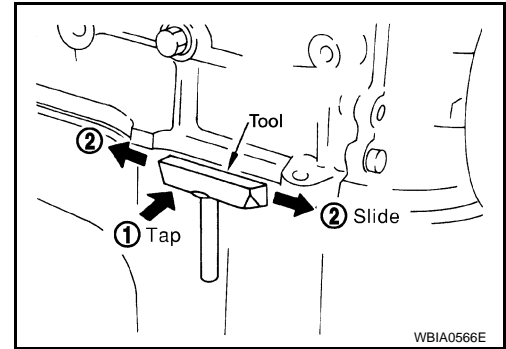
- After removing the bolts and nuts, separate the mating surface and remove the old liquid gasket sealing using Tool.

Tool number : KV10111100 (J-37228)

CAUTION:

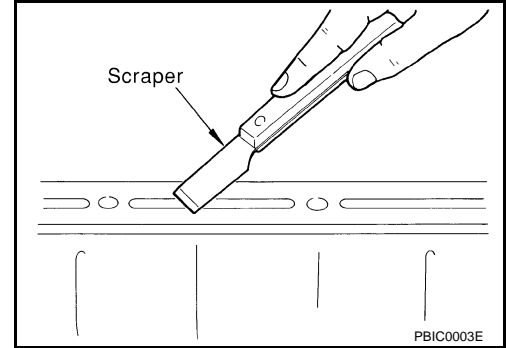
Do not damage the mating surfaces.

- Tap (1) the Tool to insert it.
- In areas where the Tool is difficult to use, lightly tap to slide (2) it.



LIQUID GASKET APPLICATION PROCEDURE

1. Remove the old liquid gasket adhering to the gasket application surface and the mating surface using suitable tool.
 - Remove the liquid gasket completely from the groove of the liquid gasket application surface, bolts, and bolt holes.
2. Thoroughly clean the mating surfaces and remove adhering moisture, grease and foreign material.

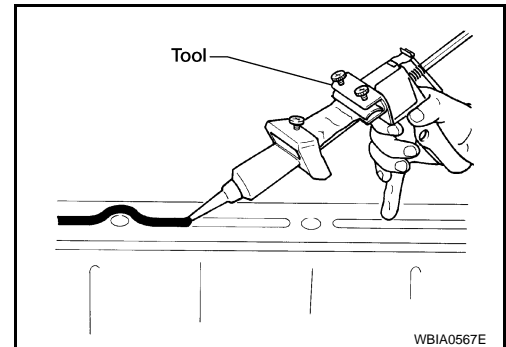


3. Attach the liquid gasket tube to the Tool.

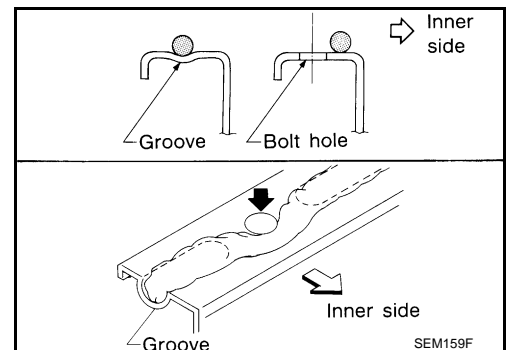
Tool number : WS39930000 (—)

Use Genuine RTV Silicone Sealant or equivalent. Refer to [GI-26, "Recommended Chemical Products and Sealants"](#).

4. Apply the liquid gasket without breaks to the specified location with the specified dimensions.



- If there is a groove for the liquid gasket application, apply the liquid gasket to the groove.
- As for the bolt holes, normally apply the liquid gasket inside the holes. If specified in the procedure, it should also be applied outside the holes.
- Within five minutes of liquid gasket application, install the mating component.
- If the liquid gasket protrudes, wipe it off immediately.
- Do not retighten after the installation.
- Wait 30 minutes or more after installation before refilling the engine with engine oil and engine coolant.



CAUTION:

If there are specific instructions in this manual, observe them.

PREPARATION

< PREPARATION >

[VQ40DE]

PREPARATION

PREPARATION

Special Service Tool

INFOID:000000003939427

A

LU

The actual shapes of Kent-Moore tools may differ from those of special service tools illustrated here.

Tool number (Kent-Moore No.) Tool name	Description
ST25051001 (J-25695-1) Oil pressure gauge	Measuring oil pressure Maximum measuring range: 2,452 kPa (25 kg/cm², 356 psi)
ST25052000 (J-25695-2) Hose	Adapting oil pressure gauge to cylinder block
KV10111100 (J-37228) Seal cutter	Removing steel oil pan and rear timing chain case
KV10115801 (J-38956) Oil filter wrench	Removing and installing oil filter a: 64.3 mm (2.531 in)
WS39930000 (—) Tube presser	Pressing the tube of liquid gasket

C

D

E

F

G

H

I

J

K

L

M

N

O

P

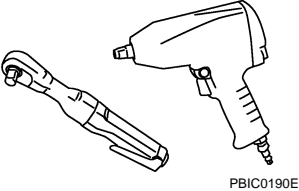
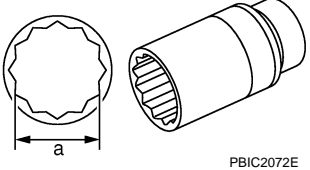
Commercial Service Tool

INFOID:000000003939428

PREPARATION

< PREPARATION >

[VQ40DE]

Tool name	Description
<p>Power tool</p>  <p>PBIC0190E</p>	<p>Loosening nuts and bolts</p>
<p>Deep socket</p>  <p>PBIC2072E</p>	<p>Removing and installing oil pressure switch a: 24 mm (0.94 in)</p>

LUBRICATION SYSTEM

< FUNCTION DIAGNOSIS >

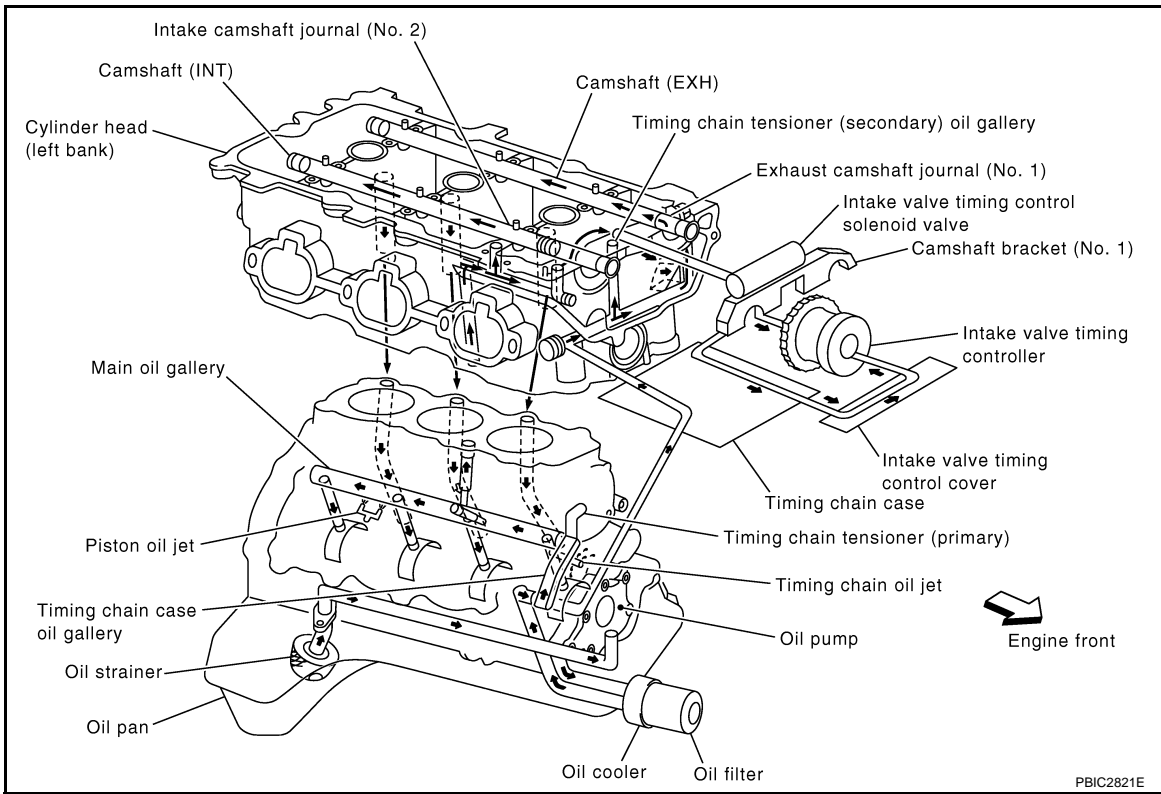
[VQ40DE]

FUNCTION DIAGNOSIS

LUBRICATION SYSTEM

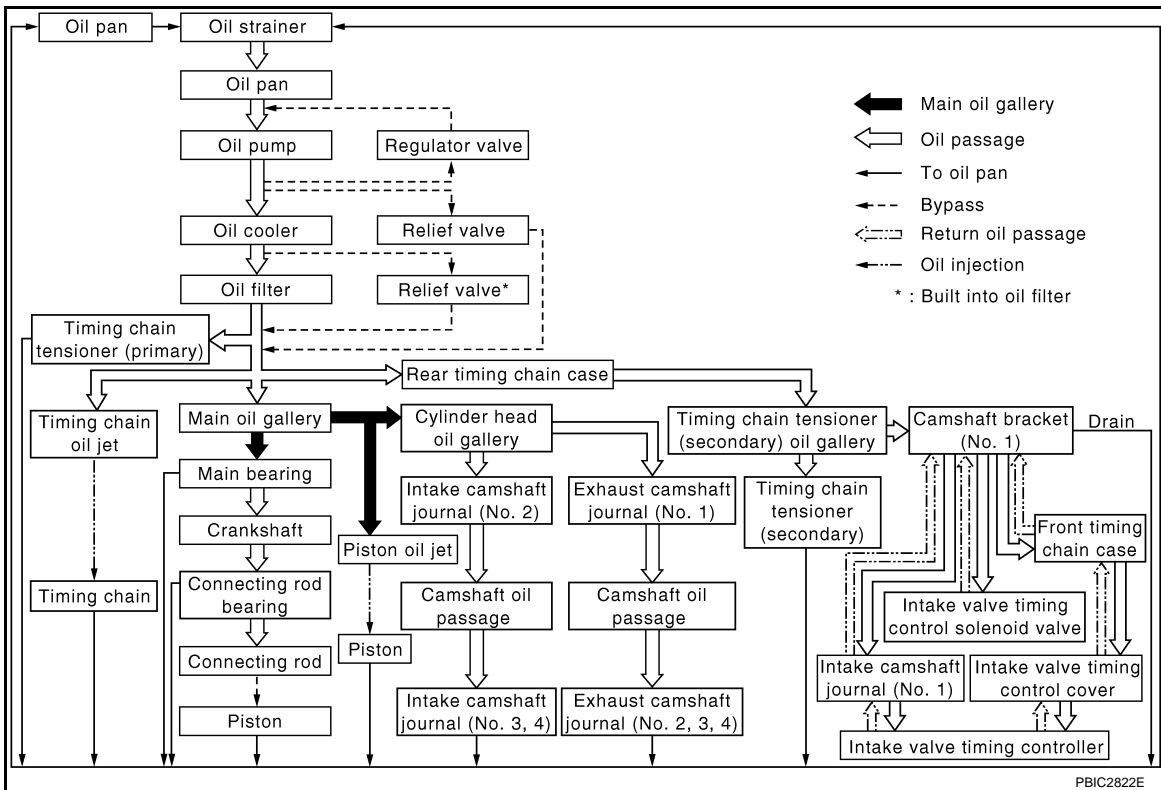
Lubrication Circuit

INFOID:000000003939429



System Chart

INFOID:000000003939430



ON-VEHICLE MAINTENANCE

ENGINE OIL

Inspection

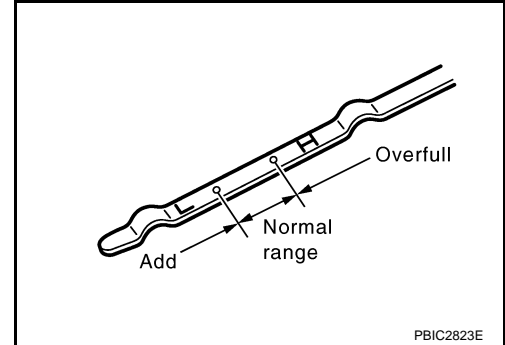
INFOID:000000003939431

OIL LEVEL

- Before starting the engine make sure the vehicle is parked on a flat and level surface, then check the oil level. If the engine is already running, turn it off and allow 10 minutes before checking.
- Pull out oil level gauge and wipe clean.
- Insert oil level gauge.
- Check that the oil level is within the low (L) and high (H) range as indicated on the dipstick.
- If the engine oil level is out of range, add oil as necessary. Refer to [MA-12, "Fluids and Lubricants"](#).

CAUTION:

Do not overfill the engine with oil.



OIL APPEARANCE

- Check the engine oil for a white milky appearance or excessive contamination.
- If the engine oil is milky, it is highly probable that it is contaminated with engine coolant. Repair or replace damaged parts.

OIL LEAKAGE

Check for oil leakage around the following areas:

- Oil pans (lower and upper)
- Oil pan drain plug
- Oil pressure switch
- Oil filter
- Oil cooler
- Water pump cover
- Chain tensioner cover
- Intake valve timing control cover and intake valve timing control solenoid valve
- Mating surface between cylinder block and cylinder head
- Mating surface between lower cylinder block and cylinder block
- Mating surface between cylinder head and rocker cover
- Mating surface between front timing chain case and rear timing chain case
- Mating surface between rear timing chain case and cylinder head
- Mating surface between rear timing chain case and cylinder block
- Mating surface between rear timing chain case and lower cylinder block
- Mating surface between rear timing chain case and oil pan (upper)
- Crankshaft oil seals (front and rear)
- Oil level gauge guide
- Camshaft position sensor (PHASE)

OIL PRESSURE CHECK

WARNING:

- **Be careful not to burn yourself, as the engine and engine oil may be hot.**
 - **Put the selector lever in the Park "P" position.**
1. Check engine oil level. Refer to [LU-8, "Inspection"](#).
 2. Remove engine undercover using power tool.

ENGINE OIL

< ON-VEHICLE MAINTENANCE >

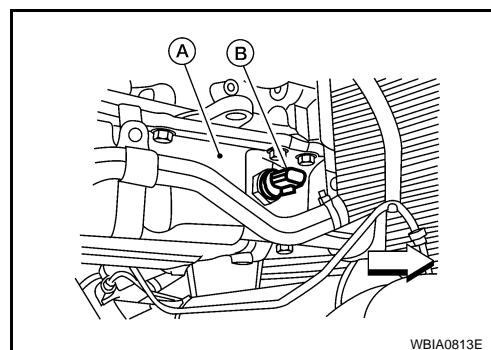
[VQ40DE]

3. Disconnect the oil pressure switch (B) harness connector.
 - A: Oil pan (upper)
 - ⇒: Front

4. Remove the oil pressure switch (B).

CAUTION:

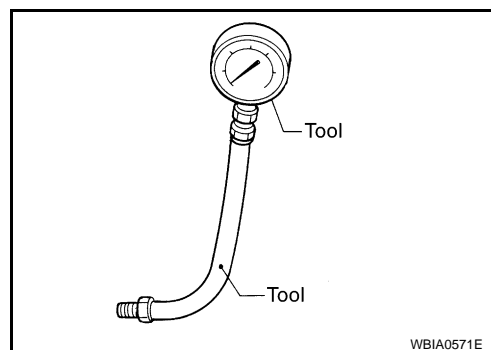
Do not drop or shock oil pressure switch.



5. Install Tools.

Tool numbers : ST25051001 (J-25695-1)

: ST25052000 (J-25695-2)



6. Start the engine and warm it up to normal operating temperature.
7. Check the engine oil pressure with engine running under no-load. Refer to [LU-17, "Standard and Limit"](#).

CAUTION:
If the difference is extreme, check the oil passages and oil pump for leaks and blockages.
8. After the inspections, install oil pressure switch as follows:
 - a. Remove old liquid gasket adhering to oil pressure switch and engine.
 - b. Apply liquid gasket and tighten oil pressure switch to the specification.

Use Genuine RTV Silicone Sealant or equivalent. Refer to [GI-26, "Recommended Chemical Products and Sealants"](#).

Oil pressure switch torque : 14.7 N-m (1.5 kg-m, 11 ft-lb)

- c. After warming up engine, make sure there is no leakage of engine oil with running engine.

Changing Engine Oil

INFOID:000000003939432

WARNING:

- Be careful not to burn yourself, as the engine and engine oil may be hot.
 - Prolonged and repeated contact with used engine oil may cause skin cancer; try to avoid direct skin contact with used oil. If skin contact is made, wash thoroughly with soap or hand cleaner as soon as possible.
1. Warm up the engine, and check for any oil leaks.
 2. Stop the engine and wait for at least 10 minutes.
 3. Remove the oil drain plug and oil filler cap to drain the old oil.
 4. Install a new washer on the oil drain plug, then install the oil drain plug in the oil pan.

Oil drain plug : Refer to [EM-35, "Removal and Installation"](#).

CAUTION:

Clean the drain plug and install with a new washer.

5. Refill the engine with new specified engine oil.

Oil grade and viscosity : Refer to [MA-12, "Fluids and Lubricants"](#).

Oil capacity : Refer to [MA-12, "Fluids and Lubricants"](#).

ENGINE OIL

< ON-VEHICLE MAINTENANCE >

[VQ40DE]

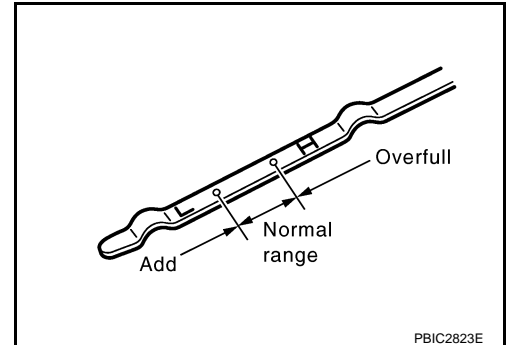
CAUTION:

The refill capacity depends on the oil temperature and drain time. Use the "Refill oil capacity" values as a reference and check the oil level using the dipstick when filling the engine with oil.

6. Warm up the engine and check the area around the drain plug and oil filter for any oil leaks.
7. Stop the engine and wait for more than 10 minutes.
8. Check the oil level using the dipstick as shown. Add oil as necessary and install the oil filler cap. Refer to [LU-8. "Inspection"](#).

CAUTION:

Do not overfill the engine with oil.



OIL FILTER

Removal and Installation

INFOID:000000003939433

REMOVAL

1. Remove the engine front undercover using power tool.
2. Remove the oil filter using Tool as shown.

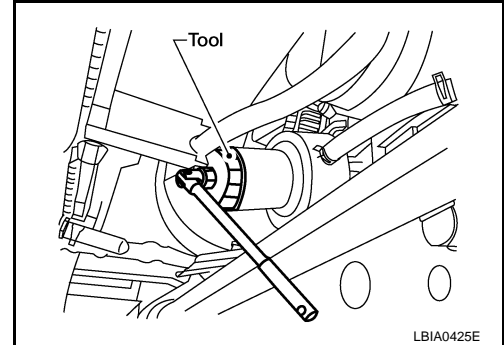
Tool number : KV10115801 (J-38956)

WARNING:

Be careful not to burn yourself, as the engine and engine oil may be hot.

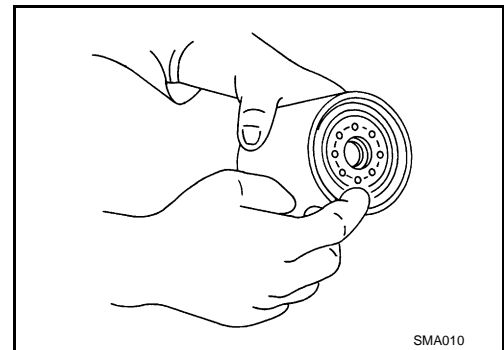
CAUTION:

- Oil filter is equipped with a pressure relief valve.
- Use Genuine NISSAN Oil Filter or equivalent.
- When removing, prepare a shop cloth to absorb any engine oil leaks or spills.
- Do not allow engine oil to adhere to drive belts.
- Completely wipe off any engine oil that adheres to the engine and the vehicle.



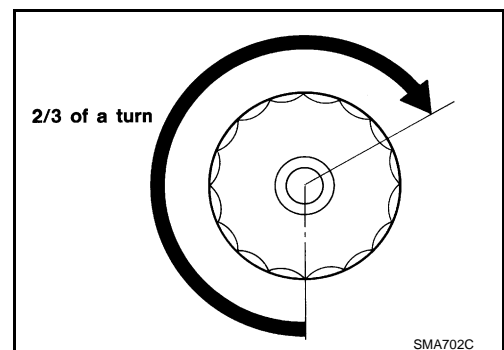
INSTALLATION

1. Remove foreign materials adhering to the oil filter seal mating surface.
2. Apply clean engine oil to the oil filter seal circumference of the new oil filter as shown.



3. Screw on the oil filter manually until it touches the installation surface, then tighten it by 2/3 turn as shown. Or tighten to specification.

Oil filter : 17.7 N-m (1.8 kg-m, 13 ft-lb)



4. Inspect the engine for oil leaks. Refer to [LU-11, "Removal and Installation"](#).
5. Install the engine front undercover using power tool.

INSPECTION AFTER INSTALLATION

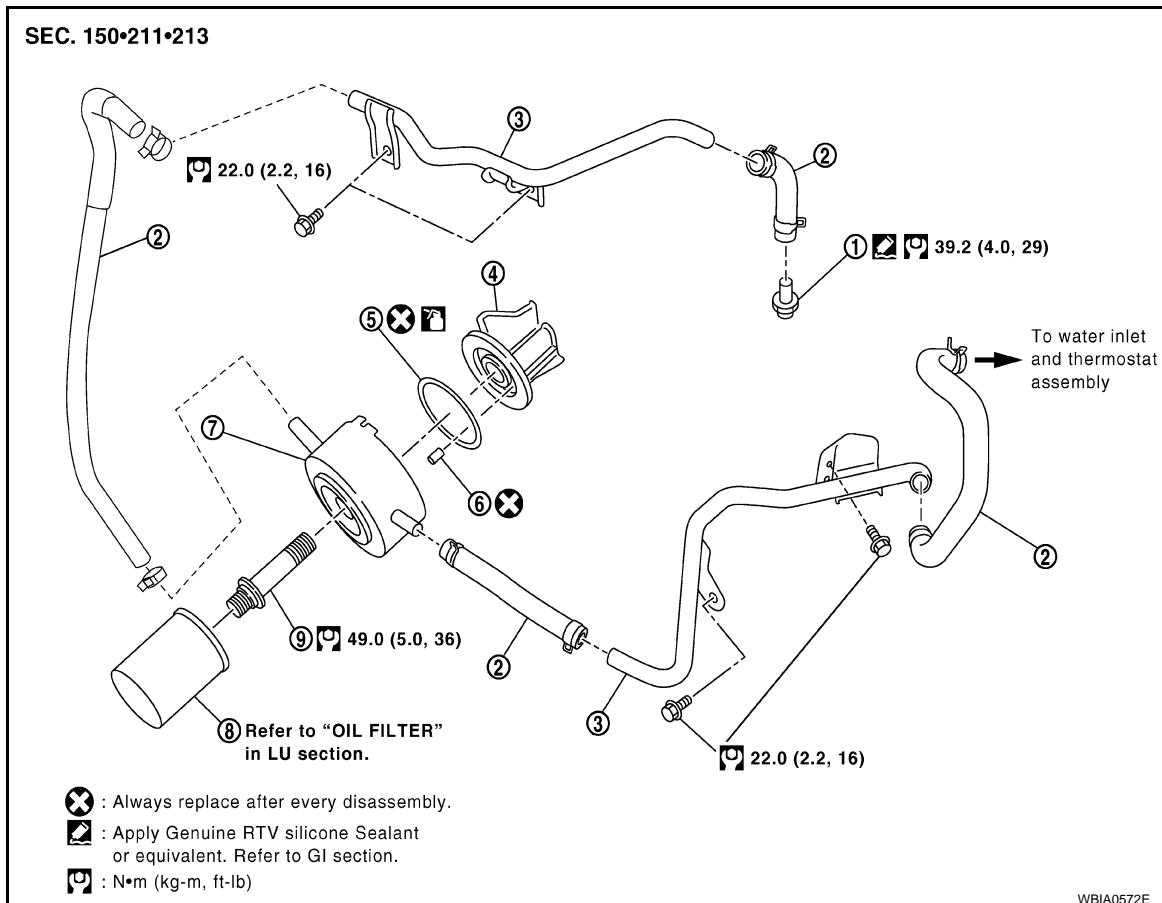
1. Check the engine oil level. Refer to [LU-8, "Inspection"](#).
2. Start the engine and check for engine oil leaks.
3. Stop the engine and wait for 10 minutes.
4. Check the engine oil level and add engine oil as required.

ON-VEHICLE REPAIR

OIL COOLER

Exploded View

INFOID:000000003939434



- | | | |
|-------------------------------|---------------|-------------------|
| 1. Water connector | 2. Water hose | 3. Water pipe |
| 4. Oil pan (upper) front side | 5. O-ring | 6. Relief valve |
| 7. Oil cooler | 8. Oil filter | 9. Connector bolt |

Removal and Installation

INFOID:000000003939435

WARNING:

Be careful not to burn yourself, as the engine oil and engine coolant may be hot.

CAUTION:

- Do not spill engine coolant on the drive belt.
- Do not spill engine oil on rubber parts such as drive belts and engine mounting insulator.

REMOVAL

NOTE:

When removing oil cooler only, step 1 is unnecessary.

1. Drain engine coolant from radiator and cylinder block. Refer to [CO-12. "Changing Engine Coolant"](#) and [EM-108. "Disassembly and Assembly"](#).

NOTE:

Perform this step only when removing water pipes and hoses.

2. Remove engine front undercover using power tool.
3. Disconnect water hoses from oil cooler, pinching hoses near oil cooler to prevent engine coolant from spilling.

CAUTION:

Perform this step when engine is cold.

4. Remove oil filter. Refer to [LU-11, "Removal and Installation"](#).
5. Remove connector bolt, and remove oil cooler.

INSPECTION AFTER REMOVAL**Oil Cooler**

Check oil cooler for cracks. Check oil cooler for clogging by blowing compressed air through engine coolant inlet. If necessary, replace oil cooler assembly.

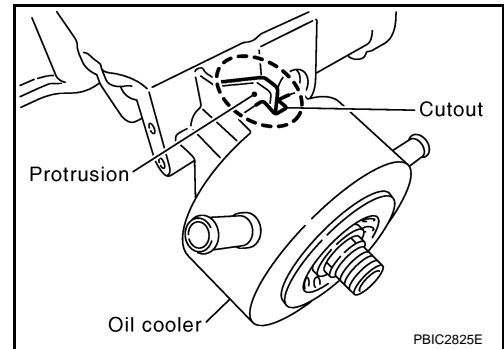
Relief Valve

Check relief valve for movement, cracks and breaks by pushing the ball. If replacement is necessary, remove relief valve by prying it out using a suitable tool. Install a new relief valve in place by tapping it in.

INSTALLATION

Installation is in the reverse order of removal, paying attention to the following.

- Confirm that no foreign objects are adhering to the sealing surfaces of the oil cooler and oil pan (upper).
- Tighten connector bolt after aligning cutout on oil cooler with protrusion on oil pan (upper) side.

**INSPECTION AFTER INSTALLATION**

1. Check engine oil and engine coolant levels and add engine oil and engine coolant. Refer to [LU-8, "Inspection"](#) and [CO-11, "System Inspection"](#).
2. Start the engine, and check for leaks of engine oil or engine coolant.
3. Stop engine and wait for 10 minutes.
4. Check the engine oil level and the engine coolant level again. Refer to [LU-8, "Inspection"](#) and [CO-11, "System Inspection"](#).

OIL PUMP

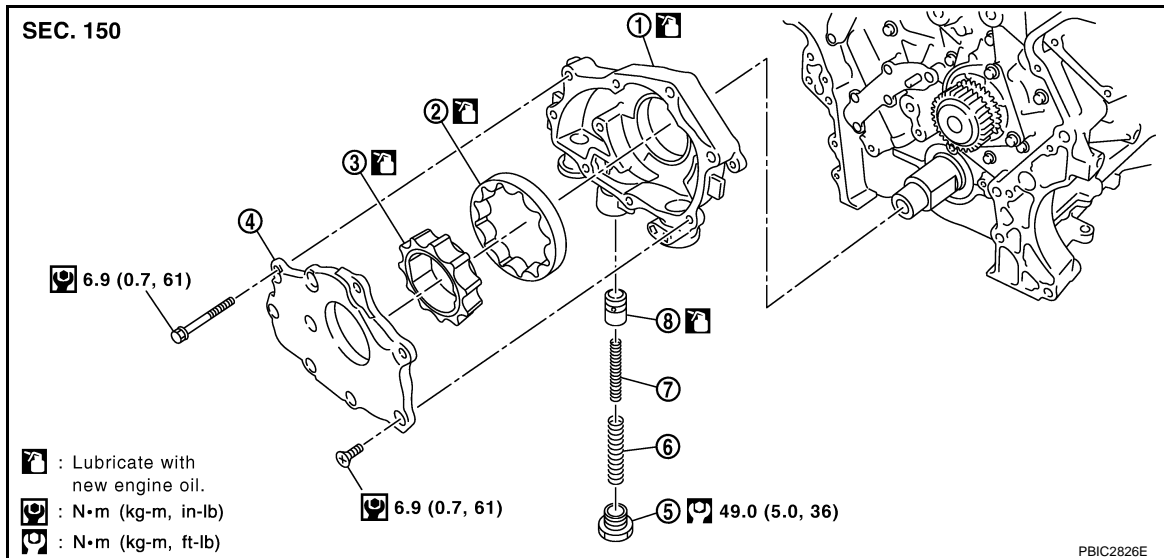
< ON-VEHICLE REPAIR >

[VQ40DE]

OIL PUMP

Exploded View

INFOID:000000003939436



- | | | |
|---------------------------|-------------------------|---------------------------|
| 1. Oil pump body | 2. Oil pump outer rotor | 3. Oil pump inner rotor |
| 4. Oil pump cover | 5. Regulator valve plug | 6. Regulator valve spring |
| 7. Regulator valve spring | 8. Regulator valve | |

Removal and Installation

INFOID:000000003939437

REMOVAL

1. Remove oil pans (lower and upper). Refer to [EM-35, "Removal and Installation"](#).
2. Remove front timing chain case and timing chain (primary). Refer to [EM-61, "Removal and Installation"](#).
3. Remove the oil pump assembly.

INSTALLATION

Installation is in the reverse order of removal, paying attention to the following.

- When installing, align crankshaft flat faces with inner rotor flat faces.

INSPECTION AFTER INSTALLATION

1. Check the engine oil level. Refer to [LU-8, "Inspection"](#).
2. Start the engine and check for engine oil leaks.
3. Stop engine and wait for 10 minutes.
4. Check the engine oil level and adjust engine oil level as required. Refer to [LU-8, "Inspection"](#).

DISASSEMBLY AND ASSEMBLY

OIL PUMP

Disassembly and Assembly

INFOID:000000003939438

A

LU

DISASSEMBLY

1. Remove oil pump cover.
2. Remove inner rotor and outer rotor from oil pump body.
3. Remove the regulator valve plug, regulator valve spring and regulator valve.

C

INSPECTION AFTER DISASSEMBLY

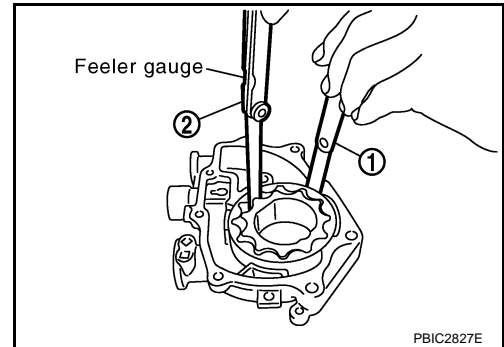
D

Clearance of Oil Pump Parts

- Measure radial clearance using a suitable tool.

Body to outer rotor (position 1)
: 0.120 - 0.195 mm (0.0047 - 0.0077 in)

Inner rotor to outer rotor tip (position 2)
: 0.060 - 0.160 mm (0.0024 - 0.0063 in)



E

F

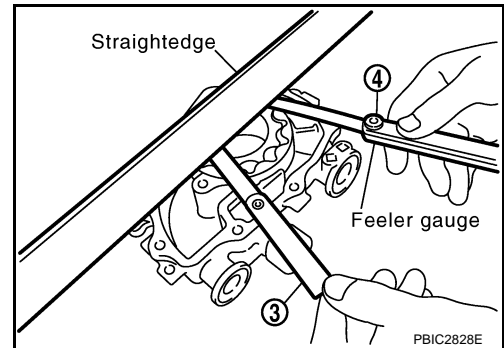
G

H

- Measure side clearance using suitable tools.

Body to inner rotor (position 3)
: 0.030 - 0.070 mm (0.0012 - 0.0028 in)

Body to outer rotor (position 4)
: 0.050 - 0.090 mm (0.0020 - 0.0035 in)



I

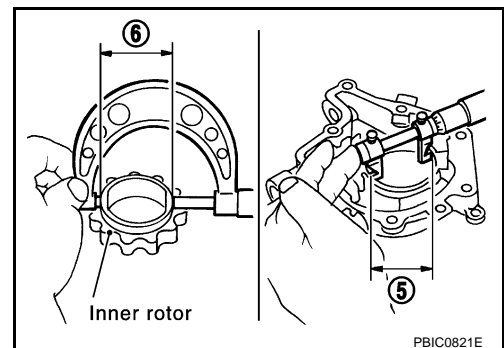
J

K

L

- Calculate the clearance between inner rotor and oil pump body as follows.

1. Measure the inner diameter of oil pump body to brazed portion (position 5) using suitable tool.
2. Measure the outer diameter of protruded portion of inner rotor (position 6) using suitable tool.



M

N

O

3. Calculate the clearance using the following formula.
 - (Clearance) = (Inner diameter of oil pump body) - (Outer diameter of inner rotor)

P

Inner rotor to brazed portion of housing clearance
: 0.045 - 0.091 mm (0.0018 - 0.0036 in)

Regulator Valve Clearance

OIL PUMP

[VQ40DE]

< DISASSEMBLY AND ASSEMBLY >

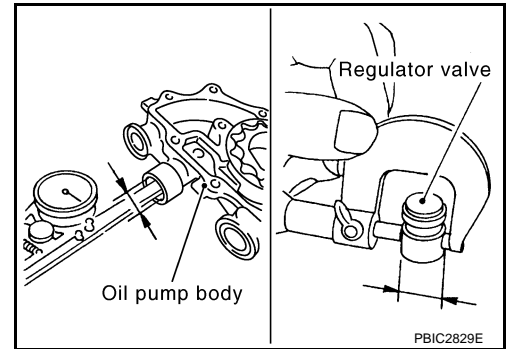
Check regulator valve to oil pump cover clearance using the following formula.

- (Clearance) = D1 (Valve hole diameter) - D2 (Outer Diameter of valve)

Regulator valve to oil pump cover
: 0.025 - 0.070 mm (0.0010 - 0.0028 in)

CAUTION:

- Coat regulator valve with engine oil.
- Check that it falls smoothly into the regulator valve hole by its own weight.

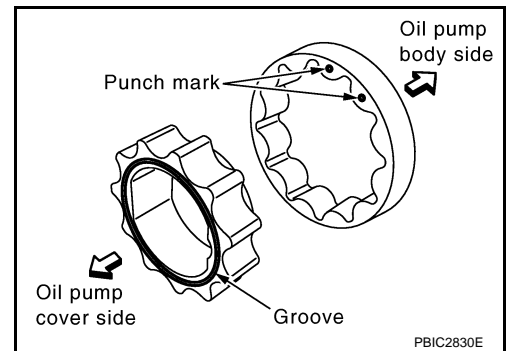


ASSEMBLY

Installation is in the reverse order of removal.

NOTE:

Install oil pump inner rotor with the grooved face and oil pump outer rotor with the punch mark to oil pump cover side.



SERVICE DATA AND SPECIFICATIONS (SDS)

< SERVICE DATA AND SPECIFICATIONS (SDS)

[VQ40DE]

SERVICE DATA AND SPECIFICATIONS (SDS)

SERVICE DATA AND SPECIFICATIONS (SDS)

Standard and Limit

INFOID:000000003939439

LU

OIL PRESSURE

Unit: kPa (kg/cm², psi)

Engine speed rpm	Approximate discharge pressure*
Idle speed	More than 98 (1.0, 14)
2,000	More than 294 (3.0, 43)

*: Engine oil temperature at 80°C (176°F)

OIL PUMP

Unit: mm (in)

Body to outer rotor	0.120 - 0.195 (0.0047 - 0.0077)
Inner rotor to outer rotor tip	0.060 - 0.160 (0.0024 - 0.0063)
Body to inner rotor	0.030 - 0.070 (0.0012 - 0.0028)
Body to outer rotor	0.050 - 0.090 (0.0020 - 0.0035)
Inner rotor to brazed portion of housing	0.045 - 0.091 (0.0018 - 0.0036)

REGULATOR VALVE

Unit: mm (in)

Regulator valve to oil pump cover	0.025 - 0.070 (0.0010 - 0.0028)
-----------------------------------	---------------------------------

ENGINE OIL CAPACITY (APPROXIMATE)

Unit: ℓ (US qt, Imp qt)

Drain and refill	With oil filter change	5.1 (5-3/8, 4-1/2)
	Without oil filter change	4.8 (5-1/8, 4-1/4)
Dry engine (Overhaul)		6.3 (6-5/8, 5-1/2)

< PRECAUTION >

PRECAUTION

PRECAUTIONS

Precaution for Supplemental Restraint System (SRS) "AIR BAG" and "SEAT BELT PRE-TENSIONER"

INFOID:000000003939440

The Supplemental Restraint System such as "AIR BAG" and "SEAT BELT PRE-TENSIONER", used along with a front seat belt, helps to reduce the risk or severity of injury to the driver and front passenger for certain types of collision. This system includes seat belt switch inputs and dual stage front air bag modules. The SRS system uses the seat belt switches to determine the front air bag deployment, and may only deploy one front air bag, depending on the severity of a collision and whether the front occupants are belted or unbelted. Information necessary to service the system safely is included in the SR and SB section of this Service Manual.

WARNING:

- To avoid rendering the SRS inoperative, which could increase the risk of personal injury or death in the event of a collision which would result in air bag inflation, all maintenance must be performed by an authorized NISSAN/INFINITI dealer.
- Improper maintenance, including incorrect removal and installation of the SRS, can lead to personal injury caused by unintentional activation of the system. For removal of Spiral Cable and Air Bag Module, see the SR section.
- Do not use electrical test equipment on any circuit related to the SRS unless instructed to in this Service Manual. SRS wiring harnesses can be identified by yellow and/or orange harnesses or harness connectors.

Precaution Necessary for Steering Wheel Rotation After Battery Disconnect

INFOID:000000004448922

NOTE:

- This Procedure is applied only to models with Intelligent Key system and NATS (NISSAN ANTI-THEFT SYSTEM).
- Remove and install all control units after disconnecting both battery cables with the ignition knob in the "LOCK" position.
- Always use CONSULT-III to perform self-diagnosis as a part of each function inspection after finishing work. If DTC is detected, perform trouble diagnosis according to self-diagnostic results.

For models equipped with the Intelligent Key system and NATS, an electrically controlled steering lock mechanism is adopted on the key cylinder.

For this reason, if the battery is disconnected or if the battery is discharged, the steering wheel will lock and steering wheel rotation will become impossible.

If steering wheel rotation is required when battery power is interrupted, follow the procedure below before starting the repair operation.

OPERATION PROCEDURE

1. Connect both battery cables.

NOTE:

Supply power using jumper cables if battery is discharged.

2. Use the Intelligent Key or mechanical key to turn the ignition switch to the "ACC" position. At this time, the steering lock will be released.
3. Disconnect both battery cables. The steering lock will remain released and the steering wheel can be rotated.
4. Perform the necessary repair operation.
5. When the repair work is completed, return the ignition switch to the "LOCK" position before connecting the battery cables. (At this time, the steering lock mechanism will engage.)
6. Perform a self-diagnosis check of all control units using CONSULT-III.

Precaution for Liquid Gasket

INFOID:000000003939441

REMOVAL OF LIQUID GASKET SEALING

PRECAUTIONS

[VK56DE]

< PRECAUTION >

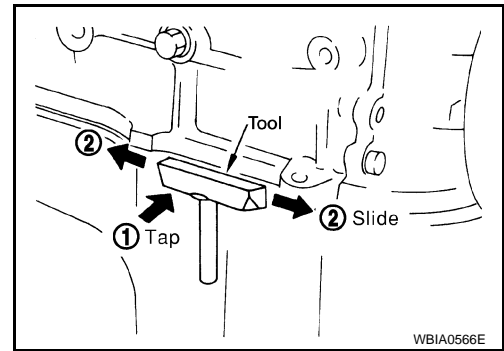
- After removing the bolts and nuts, separate the mating surface and remove the old liquid gasket sealing using Tool.

Tool number : KV10111100 (J-37228)

CAUTION:

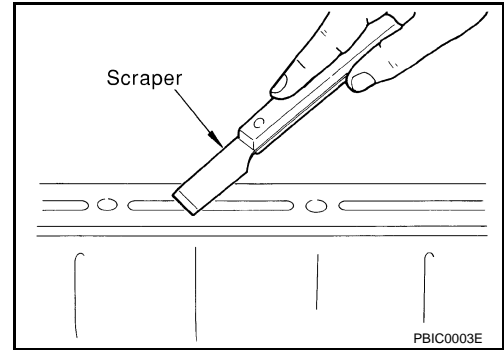
Do not damage the mating surfaces.

- Tap (1) the Tool to insert it.
- In areas where the Tool is difficult to use, lightly tap to slide (2) it.



LIQUID GASKET APPLICATION PROCEDURE

1. Remove the old liquid gasket adhering to the gasket application surface and the mating surface using suitable tool.
 - Remove the liquid gasket completely from the groove of the liquid gasket application surface, bolts, and bolt holes.
2. Thoroughly clean the mating surfaces and remove adhering moisture, grease and foreign material.

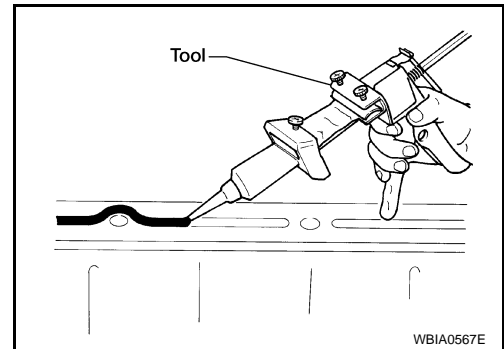


3. Attach the liquid gasket tube to the Tool.

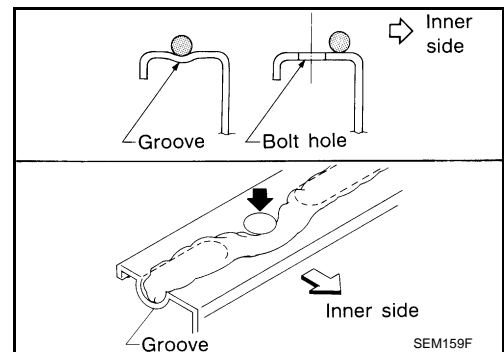
Tool number : WS39930000 (—)

Use Genuine RTV Silicone Sealant or equivalent. Refer to GI-26, "Recommended Chemical Products and Sealants".

4. Apply the liquid gasket without breaks to the specified location with the specified dimensions.



- If there is a groove for the liquid gasket application, apply the liquid gasket to the groove.
- As for the bolt holes, normally apply the liquid gasket inside the holes. If specified in the procedure, it should also be applied outside the holes.
- Within five minutes of liquid gasket application, install the mating component.
- If the liquid gasket protrudes, wipe it off immediately.
- Do not retighten after the installation.
- Wait 30 minutes or more after installation before refilling the engine with engine oil and engine coolant.



CAUTION:

If there are specific instructions in this manual, observe them.

PREPARATION

< PREPARATION >

[VK56DE]

PREPARATION

PREPARATION

Special Service Tool

INFOID:000000003939442

The actual shapes of Kent-Moore tools may differ from those of special service tools illustrated here.

Tool number (Kent-Moore No.) Tool name	Description
ST25051001 (J-25695-1) Oil pressure gauge	Measuring oil pressure Maximum measuring range: 2,452 kPa (25 kg/cm², 356 psi)
ST25052000 (J-25695-2) Hose	Adapting oil pressure gauge to cylinder block
KV10111100 (J-37228) Seal cutter	Removing steel oil pan and rear timing chain case
KV10115801 (J-38956) Oil filter wrench	Removing and installing oil filter a: 64.3 mm (2.531 in)
WS39930000 (—) Tube presser	Pressing the tube of liquid gasket

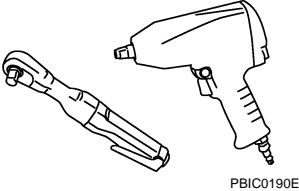
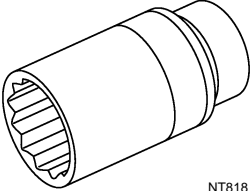
Commercial Service Tool

INFOID:000000003939443

PREPARATION

< PREPARATION >

[VK56DE]

Tool name	Description
<p>Power tool</p>  <p>FBIC0190E</p>	<p>Loosening bolts and nuts</p>
<p>Deep socket</p>  <p>NT818</p>	<p>Removing and installing oil pressure switch Deep socket 26 mm</p>

A

LU

C

D

E

F

G

H

I

J

K

L

M

N

O

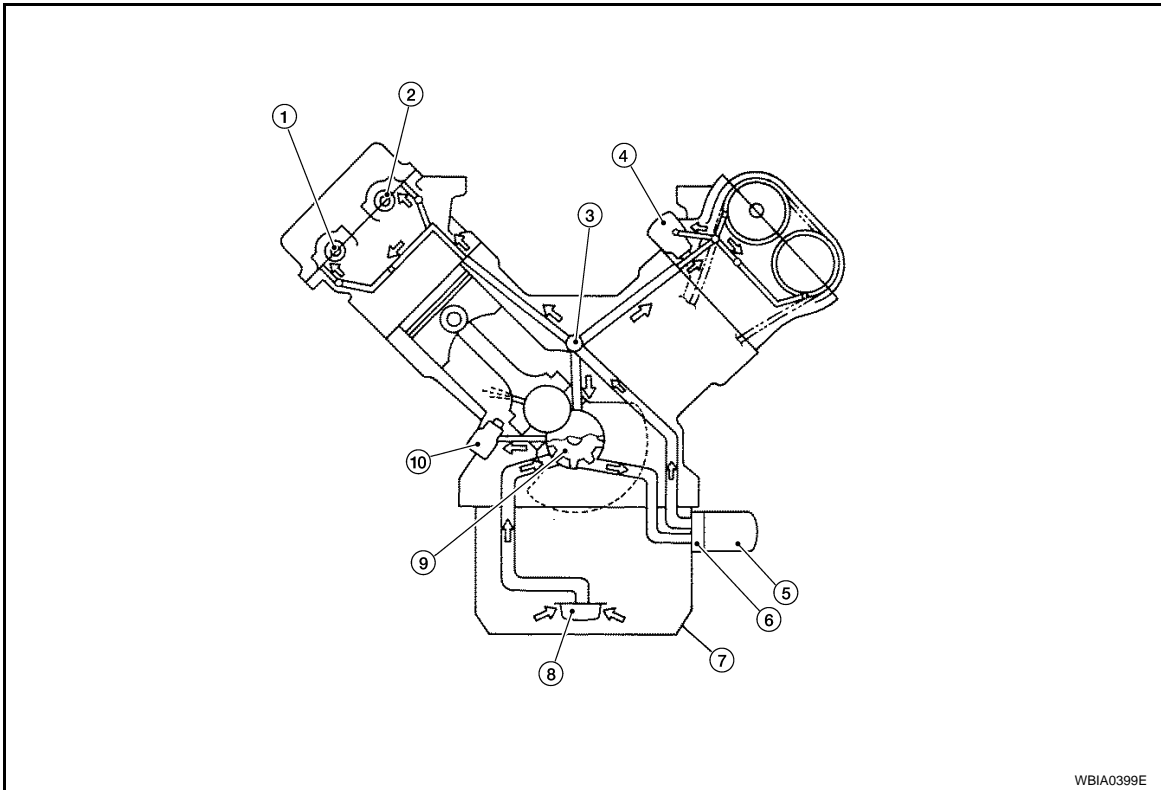
P

FUNCTION DIAGNOSIS

LUBRICATION SYSTEM

Lubrication Circuit

INFOID:000000003939444



WBIA0399E

- | | | |
|----------------------------------|--------------------|--------------------|
| 1. Exhaust camshaft | 2. Intake camshaft | 3. Main oil galley |
| 4. Chain tensioner (Left bank) | 5. Oil filter | 6. Oil cooler |
| 7. Oil pan | 8. Oil strainer | 9. Oil pump |
| 10. Chain tensioner (Right bank) | | |

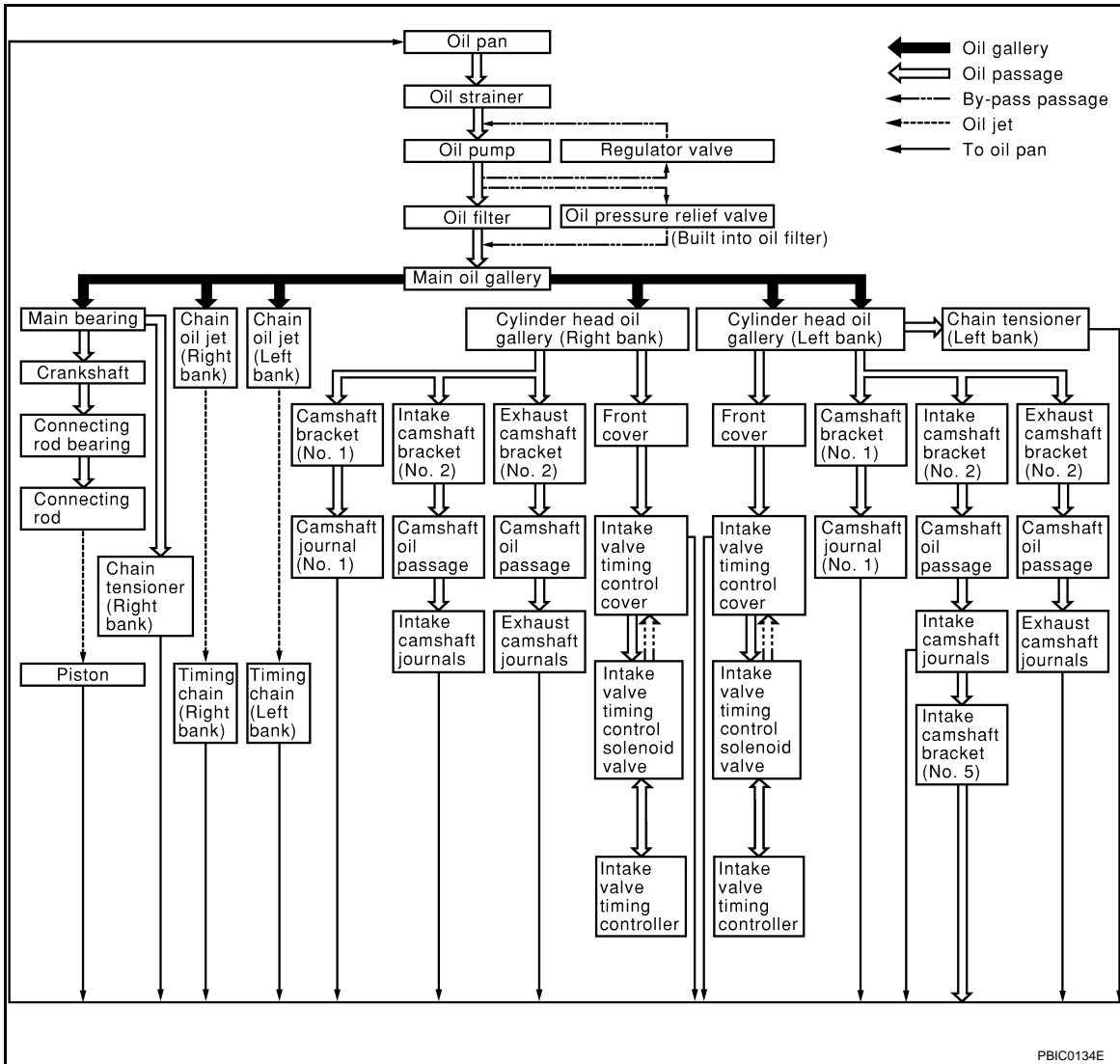
LUBRICATION SYSTEM

< FUNCTION DIAGNOSIS >

[VK56DE]

System Chart

INFOID:000000003939445



A
LU
C
D
E
F
G
H
I
J
K
L
M
N
O
P

ON-VEHICLE MAINTENANCE

ENGINE OIL

Inspection

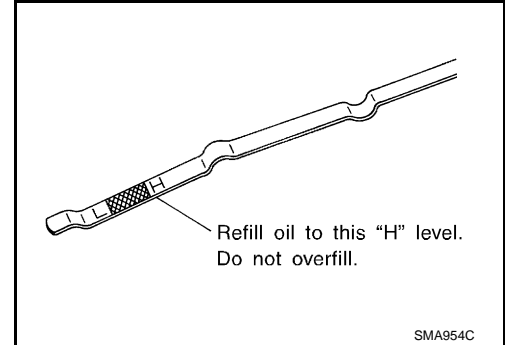
INFOID:000000003939446

OIL LEVEL

- Before starting the engine make sure the vehicle is parked on a flat and level surface, then check the oil level. If the engine is already running, turn it off and allow 10 minutes before checking.
- Pull out oil level gauge and wipe clean.
- Insert oil level gauge.
- Check that the oil level is within the low (L) and high (H) range as indicated on the dipstick.
- If the engine oil level is out of range, add oil as necessary. Refer to [MA-12. "Fluids and Lubricants"](#).

CAUTION:

Do not overfill the engine with oil.



OIL APPEARANCE

- Check the engine oil for a white milky appearance or excessive contamination.
- If the engine oil is milky, it is highly probable that it is contaminated with engine coolant. Repair or replace damaged parts.

OIL LEAKAGE

Check for oil leakage around the following areas:

- Oil pan
- Oil pan drain plug
- Oil pressure switch
- Oil filter
- Oil cooler
- Intake valve timing control cover
- Intake valve timing control solenoid valve
- Front cover
- Mating surface between cylinder block and cylinder head
- Mating surface between cylinder head and rocker cover
- Crankshaft oil seal (front and rear)

OIL PRESSURE CHECK

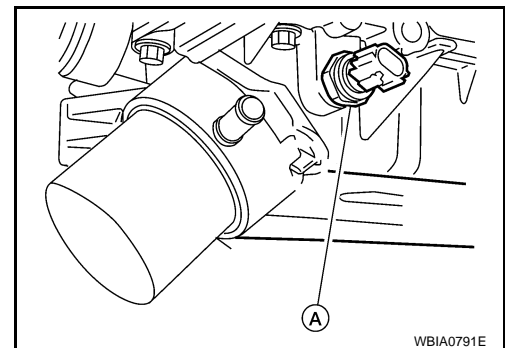
WARNING:

- **Be careful not to burn yourself, as the engine and engine oil may be hot.**
- **Put the selector lever in the Park "P" position.**

1. Check the engine oil level. Refer to [LU-24. "Inspection"](#).
2. Remove engine front undercover using power tool.
3. Disconnect the oil pressure switch (A) harness connector.
4. Remove the oil pressure switch (A).

CAUTION:

Do not drop or shock oil pressure switch.



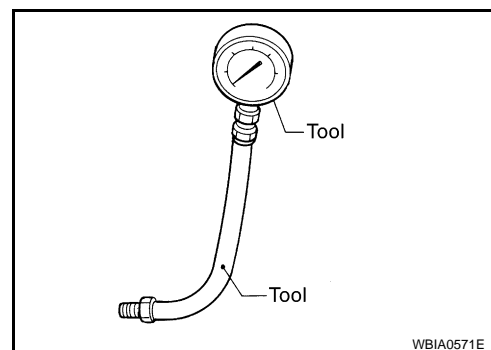
ENGINE OIL

< ON-VEHICLE MAINTENANCE >

[VK56DE]

5. Install Tools.

Tool number : ST25051001 (J-25695-1)
: ST25052000 (J-25695-2)



6. Start the engine and warm it up to normal operating temperature.
7. Check the engine oil pressure with engine running under no-load. Refer to [LU-34, "Standard and Limit"](#).
CAUTION:
If the difference is extreme, check the oil passages and oil pump for leaks and blockages.
8. After the inspections, install oil pressure switch as follows:
 - a. Remove old liquid gasket adhering to oil pressure switch and engine.
 - b. Apply liquid gasket and tighten oil pressure switch to the specification.
Use Genuine RTV Silicone Sealant or equivalent. Refer to [GI-26, "Recommended Chemical Products and Sealants"](#).

Oil pressure switch torque : 14.7 N·m (1.5 kg·m, 11 ft·lb)

- c. After warming up engine, make sure there is no leakage of engine oil with engine running.

Changing Engine Oil

INFOID:000000003939447

WARNING:

- Be careful not to burn yourself, as the engine and engine oil may be hot.
 - Prolonged and repeated contact with used engine oil may cause skin cancer; try to avoid direct skin contact with used oil. If skin contact is made, wash thoroughly with soap or hand cleaner as soon as possible.
1. Warm up the engine, and check for any oil leaks.
 2. Stop the engine and wait for at least 10 minutes.
 3. Remove the oil drain plug and oil filler cap to drain the old oil.
 4. Install a new washer on the oil drain plug, then install the oil drain plug in the oil pan.

Oil drain plug : Refer to [EM-175, "Removal and Installation"](#).

CAUTION:

Clean the drain plug and install with a new washer.

5. Refill the engine with new specified engine oil.

Oil grade and viscosity : Refer to [MA-12, "Fluids and Lubricants"](#).

Oil capacity : Refer to [MA-12, "Fluids and Lubricants"](#).

CAUTION:

The refill capacity depends on the oil temperature and drain time. Use the "Refill oil capacity" values as a reference and check the oil level using the dipstick when filling the engine with oil.

6. Warm up the engine and check the area around the drain plug and oil filter for any oil leaks.
7. Stop the engine and wait for more than 10 minutes.

ENGINE OIL

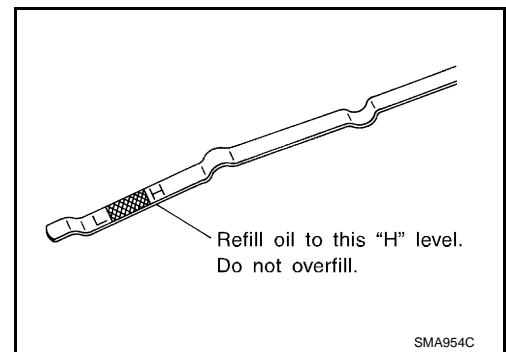
[VK56DE]

< ON-VEHICLE MAINTENANCE >

8. Check the oil level using the dipstick as shown. Add oil as necessary and install the oil filler cap. Refer to [LU-24, "Inspection"](#).

CAUTION:

Do not overfill the engine with oil.



OIL FILTER

Removal and Installation

INFOID:000000003939448

REMOVAL

1. Remove the engine front undercover access plate using power tool.
2. Remove the oil filter using Tool as shown.

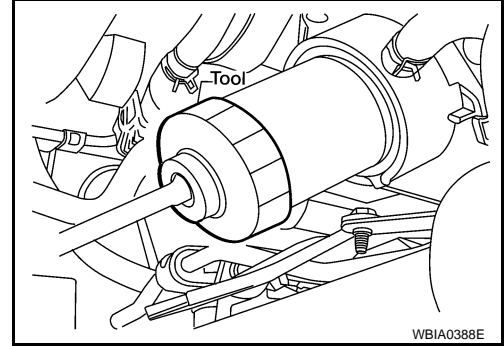
Tool number : KV10115801 (J-38956)

WARNING:

Be careful not to burn yourself, as the engine and engine oil may be hot.

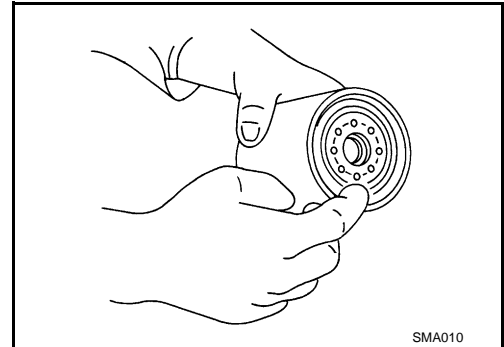
CAUTION:

- The oil filter is equipped with a pressure relief valve.
- Use Genuine NISSAN oil filter or equivalent.
- When removing, prepare a shop cloth to absorb any engine oil leaks or spills.
- Do not allow engine oil to adhere to the drive belts.
- Completely wipe off any engine oil that adheres to the engine and the vehicle.



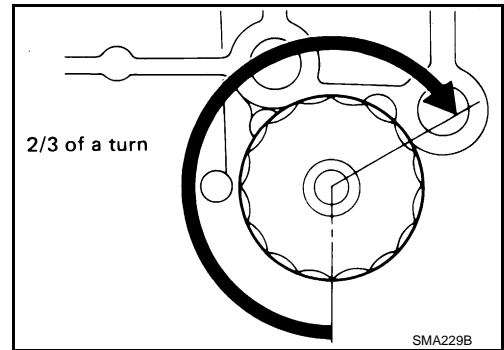
INSTALLATION

1. Remove foreign materials adhering to the oil filter seal mating surface.
2. Apply clean engine oil to the oil filter seal circumference of the new oil filter as shown.



3. Screw on the oil filter manually until it touches the installation surface, then tighten it by 2/3 turn as shown. Or tighten to specification.

Oil filter : 17.7 N·m (1.8 kg·m, 13 ft·lb)



4. Inspect the engine for oil leaks. Refer to [LU-27, "Removal and Installation"](#).
5. Install the engine front undercover access plate using power tool.

INSPECTION AFTER INSTALLATION

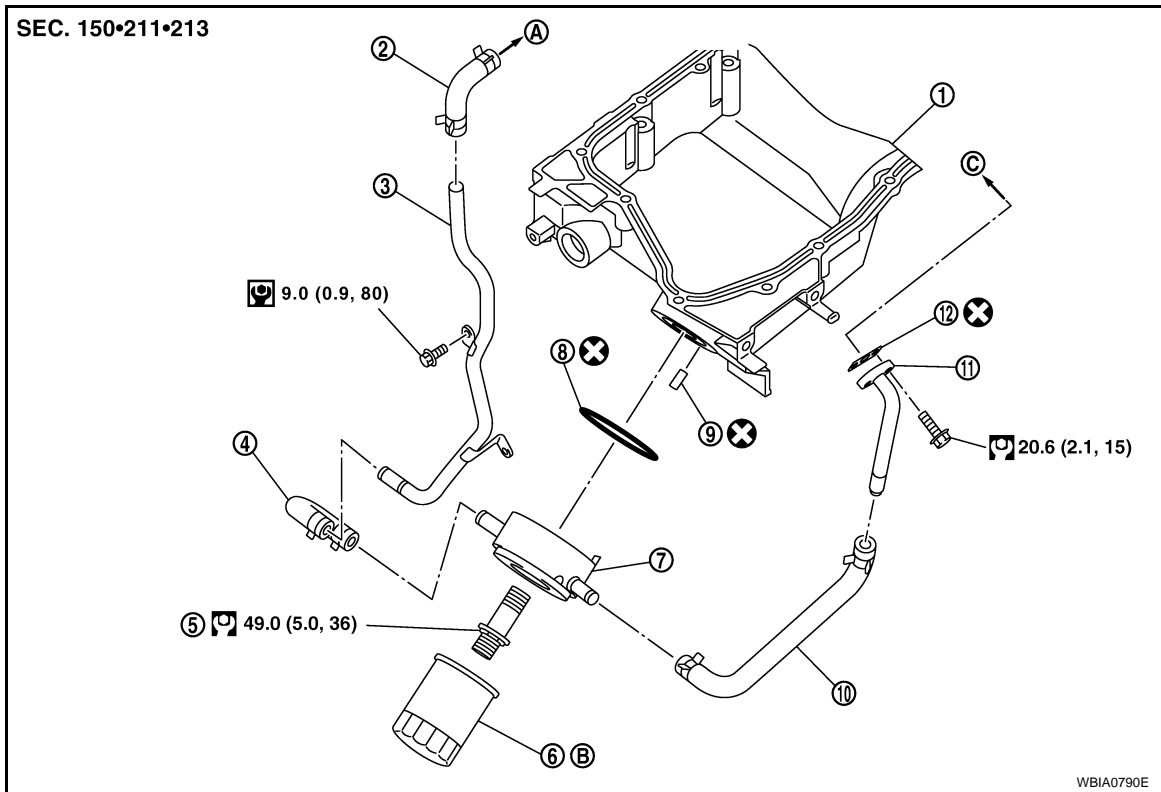
1. Check the engine oil level. Refer to [LU-24, "Inspection"](#).
2. Start the engine and check for engine oil leaks.
3. Stop the engine and wait for 10 minutes.
4. Check the engine oil level and add engine oil as required.

ON-VEHICLE REPAIR

OIL COOLER

Exploded View

INFOID:000000003939449



- | | | |
|--------------------------|-----------------------------------|----------------------|
| 1. Oil pan | 2. Water hose | 3. Water pipe |
| 4. Water hose | 5. Connector bolt | 6. Oil filter |
| 7. Oil cooler | 8. O-ring | 9. Relief valve |
| 10. Water hose | 11. Connector pipe | 12. Gasket |
| A. To thermostat housing | B. Refer to LU-27 | C. To cylinder block |

Removal and Installation

INFOID:000000003939450

WARNING:

Be careful not to burn yourself, as the engine oil and engine coolant may be hot.

CAUTION:

- Do not spill engine coolant on the drive belt.
- Do not spill engine oil on rubber parts such as drive belts and engine mounting insulator.

REMOVAL

NOTE:

When removing oil cooler only, step 1 is unnecessary.

1. Drain engine coolant from radiator and cylinder block. Refer to [CO-41, "Changing Engine Coolant"](#) and [EM-225, "Disassembly and Assembly"](#).

NOTE:

Perform this step only when removing water pipes and hoses.

2. Remove engine front undercover using power tool.
3. Disconnect water hoses from oil cooler, pinching hoses near oil cooler to prevent engine coolant from spilling.

CAUTION:

Perform this step when engine is cold.

4. Remove oil filter. Refer to [LU-27, "Removal and Installation"](#).

OIL COOLER

[VK56DE]

< ON-VEHICLE REPAIR >

5. Remove connector bolt, and remove oil cooler.

INSPECTION AFTER REMOVAL

Oil Cooler

Check oil cooler for cracks. Check oil cooler for clogging by blowing compressed air through engine coolant inlet. If necessary, replace oil cooler assembly.

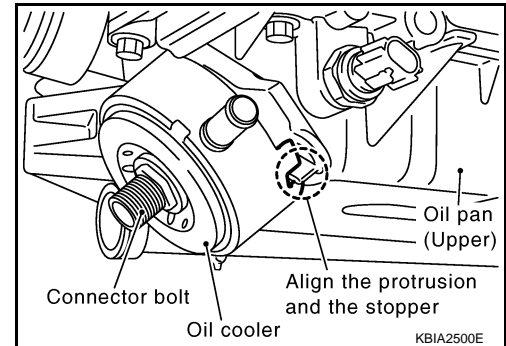
Relief Valve

Inspect relief valve for movement, cracks and breaks by pushing the ball. If replacement is necessary, remove the valve by prying it out using a suitable tool. Install a new valve in place by tapping it in.

INSTALLATION

Installation is in the reverse order of removal, paying attention to the following:

- Confirm that no foreign objects are adhering to the sealing surfaces of the oil cooler and oil pan.
- Tighten the connecting bolt after aligning the stopper on the oil pan side with protrusion of the oil cooler.



INSPECTION AFTER INSTALLATION

1. Check engine oil and engine coolant levels and add engine oil and engine coolant. Refer to [LU-24, "Inspection"](#) and [CO-40, "System Inspection"](#).
2. Start the engine, and check for leaks of engine oil or engine coolant.
3. Stop the engine and wait for 10 minutes.
4. Check the engine oil level and engine coolant level again. Refer to [LU-24, "Inspection"](#) and [CO-40, "System Inspection"](#).

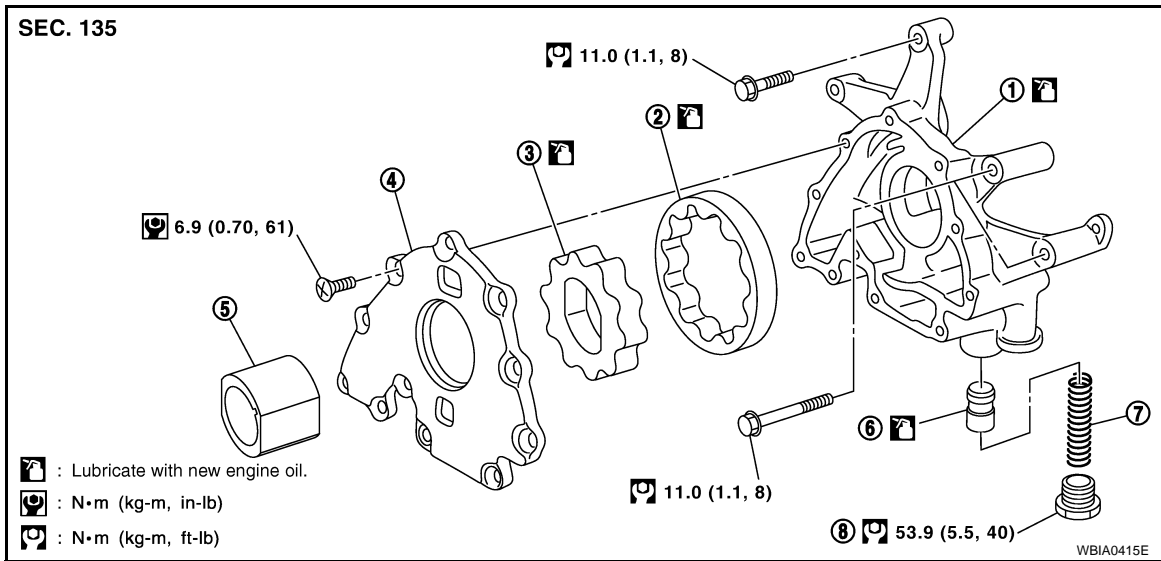
OIL PUMP

< ON-VEHICLE REPAIR >

[VK56DE]

OIL PUMP

Exploded View



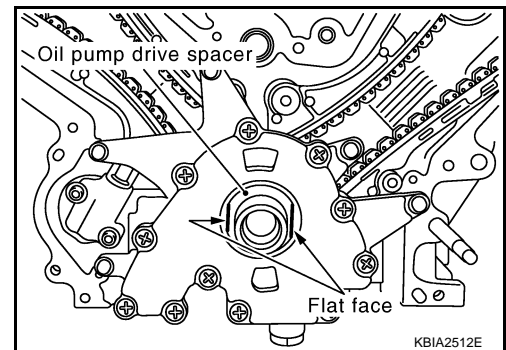
- | | | |
|---------------------|--------------------------|--------------------|
| 1. Oil pump body | 2. Outer rotor | 3. Inner rotor |
| 4. Oil pump cover | 5. Oil pump drive spacer | 6. Regulator valve |
| 7. Regulator spring | 8. Regulator plug | |

Removal and Installation

INFOID:000000003939452

REMOVAL

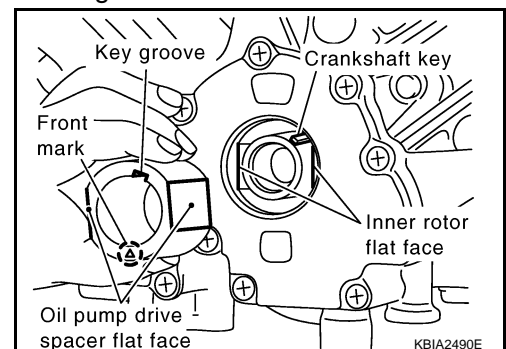
1. Remove front cover. Refer to [EM-186, "Exploded View"](#).
2. Remove the oil pump drive spacer.
3. Remove the oil pump assembly.



INSTALLATION

Installation is in the reverse order of removal, paying attention of the following:

- When inserting the oil pump drive spacer, align the crankshaft key and the flat face of the inner rotor.
- If they are not aligned, rotate the oil pump inner rotor by hand.
- Make sure that each part is aligned and tap lightly until it reaches the end.



INSPECTION AFTER INSTALLATION

1. Check the engine oil level. Refer to [LU-24, "Inspection"](#)
2. Start the engine and check for engine oil leaks.

OIL PUMP

< ON-VEHICLE REPAIR >

[VK56DE]

3. Stop the engine and wait 10 minutes.
4. Check the engine oil level and adjust the engine oil level as required. Refer to [LU-24, "Inspection"](#).

A

LU

C

D

E

F

G

H

I

J

K

L

M

N

O

P

DISASSEMBLY AND ASSEMBLY**OIL PUMP****Disassembly and Assembly**

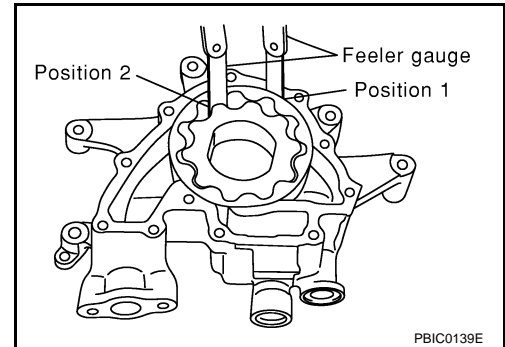
INFOID:000000003939453

DISASSEMBLY

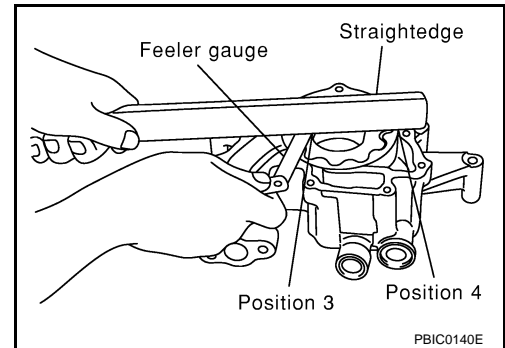
1. Remove oil pump cover.
2. Remove inner rotor and outer rotor from oil pump body.
3. Remove the regulator valve plug, regulator valve spring and regulator valve.

INSPECTION AFTER DISASSEMBLY**Clearance of Oil Pump Parts**

- Measure radial clearance using a suitable tool.

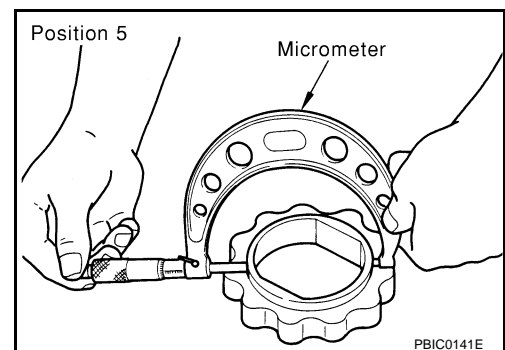
Body to outer rotor (position 1)**: 0.114 - 0.200 mm (0.0045 - 0.0079 in)****Inner rotor to outer rotor tip (position 2)****: Below 0.180 mm (0.0071 in)**

- Measure side clearance using suitable tools.

Body to inner rotor (position 3)**: 0.030 - 0.070 mm (0.0012 - 0.0028 in)****Body to outer rotor (position 4)****: 0.030 - 0.090 mm (0.0012 - 0.0035 in)**

- Calculate the clearance between inner rotor and oil pump body as follows.

1. Measure the outer diameter of protruded portion of inner rotor (position 5) using suitable tool.

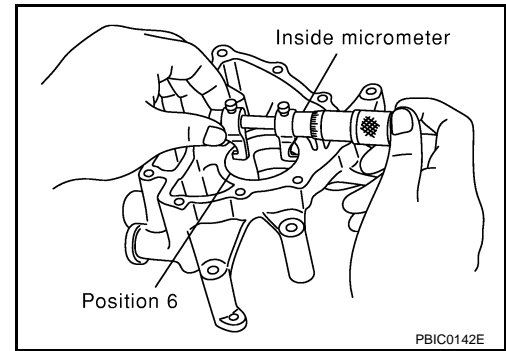


OIL PUMP

[VK56DE]

< DISASSEMBLY AND ASSEMBLY >

2. Measure the inner diameter of oil pump body to brazed portion (position 6) using suitable tool.



3. Calculate the clearance using the following formula.
 - (Clearance) = (Inner diameter of oil pump body) - (Outer diameter of inner rotor)

Inner rotor to brazed portion of housing clearance

: 0.045 - 0.091 mm (0.0018 - 0.0036 in)

Regulator Valve Clearance

Check regulator valve to oil pump cover clearance using the following formula.

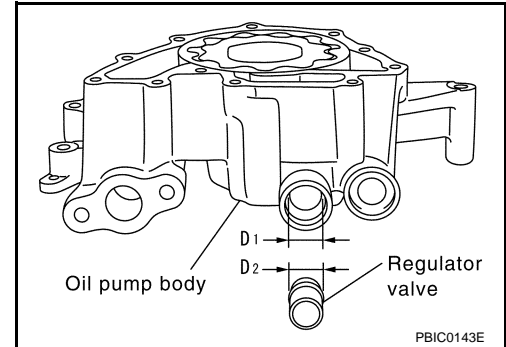
- (Clearance) = D1 (Valve hole diameter) - D2 (Outer Diameter of valve)

Regulator valve to oil pump cover

: 0.040 - 0.097 mm (0.0016 - 0.0038 in)

CAUTION:

- Coat regulator valve with engine oil.
- Check that it falls smoothly into the regulator valve hole by its own weight.

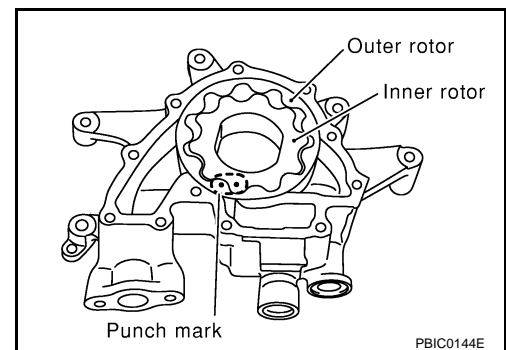


ASSEMBLY

Installation is in the reverse order of removal.

NOTE:

Install the oil pump inner rotor and outer rotor with the punched marks on the oil pump cover side.



SERVICE DATA AND SPECIFICATIONS (SDS)

< SERVICE DATA AND SPECIFICATIONS (SDS)

[VK56DE]

SERVICE DATA AND SPECIFICATIONS (SDS)

SERVICE DATA AND SPECIFICATIONS (SDS)

Standard and Limit

INFOID:000000003939454

OIL PRESSURE

Unit: kPa (kg/cm², psi)

Engine speed rpm	Approximate discharge oil pressure*
Idle speed	More than 98 (1.0, 14)
2,000	More than 294 (3.0, 43)

*: Engine oil temperature at 80°C (176°F)

OIL PUMP

Unit: mm (in)

Body to outer rotor	0.114 - 0.200 (0.0045 - 0.0079)
Inner rotor to outer rotor tip	Below 0.180 (0.0071)
Body to inner rotor	0.030 - 0.070 (0.0012 - 0.0028)
Body to outer rotor	0.030 - 0.090 (0.0012 - 0.0035)
Inner rotor to brazed portion of housing	0.045 - 0.091 (0.0018 - 0.0036)

REGULATOR VALVE

Unit: mm (in)

Regulator valve to oil pump cover	0.040 - 0.097 (0.0016 - 0.0038)
-----------------------------------	---------------------------------

ENGINE OIL CAPACITY (APPROXIMATE)

Unit: ℓ (US qt, Imp qt)

Drain and refill	With oil filter change	6.5 (6-7/8, 5-3/4)
	Without oil filter change	6.2 (6-1/2, 5-1/2)
Dry engine (engine overhaul)		7.6 (8, 6-3/4)