

SECTION **EX**  
EXHAUST SYSTEM

A  
EX  
C

CONTENTS

|                                |   |                                     |   |   |
|--------------------------------|---|-------------------------------------|---|---|
| <b>PREPARATION</b> .....       | 2 | Checking Exhaust System .....       | 3 | F |
| Special Service Tool .....     | 2 | Removal and Installation .....      | 3 |   |
| Commercial Service Tools ..... | 2 | REMOVAL .....                       | 5 |   |
| <b>EXHAUST SYSTEM</b> .....    | 3 | INSTALLATION .....                  | 5 | G |
|                                |   | INSPECTION AFTER INSTALLATION ..... | 5 |   |

D  
E  
H  
I  
J  
K  
L  
M

# PREPARATION

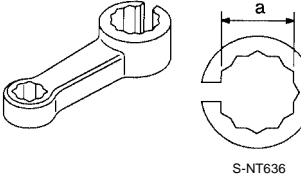
PFP:00002

## PREPARATION

### Special Service Tool

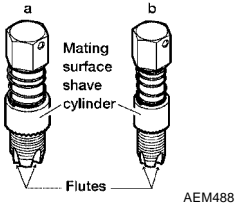

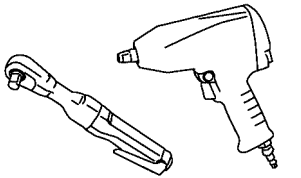
EBS00QAF

The actual shapes of Kent-Moore tools may differ from those of special service tools illustrated here.

| Tool number<br>(Kent-Moore No.)<br>Tool name   | Description   |
|--|---|
| KV10114400<br>(J-38365)<br>Heated oxygen sensor wrench <div style="text-align: center;">  <p>S-NT636</p> </div> | Loosening or tightening heated oxygen sensors:<br><b>a: 22 mm (0.87 in)</b> |

### Commercial Service Tools

EBS00QAG

| (Kent-Moore No.)<br>Tool name   | Description  |
|---|--|
| (J-43897-18)<br>(J-43897-12)<br>Oxygen sensor thread cleaner <div style="text-align: center;">  <p>AEM488</p> </div>                             | Reconditioning the exhaust system threads before installing a new heated oxygen sensor (Use with anti-seize lubricant shown below):<br><b>a: J-43897-18 (18 mm dia , 0.71 in) for zirconia heated oxygen sensor.</b><br><b>b: J-43897-12 (12 mm dia., 0.49 in) for titania heated oxygen sensor.</b> |
| Anti-seize lubricant (Permatex 133AR or equivalent meeting MIL specification MIL-A-907) <div style="text-align: center;">  <p>AEM489</p> </div> | Lubricating oxygen sensor thread cleaning tool when reconditioning exhaust system threads.   |
| Power tool <div style="text-align: center;">  <p>PBIC0190E</p> </div>  | Loosening nuts and bolts.  |

# EXHAUST SYSTEM

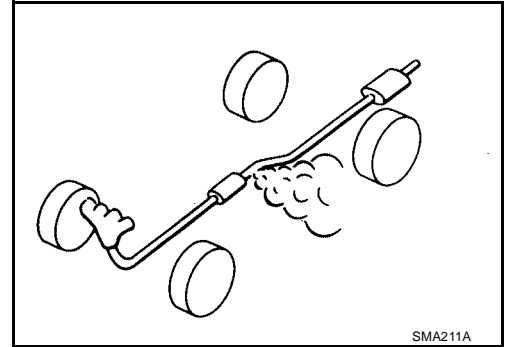
## EXHAUST SYSTEM

PFP:20100

### Checking Exhaust System

EBS00QAH

Check the exhaust pipes, muffler, and mounting components for incorrect attachment, leaks, cracks, damage, or deterioration.



EBS00QAI

### Removal and Installation

#### **WARNING:**

- Perform the procedures with the exhaust system fully cooled down to avoid injury from the hot exhaust system.
- Be careful not to cut your hand on the insulator edge.

#### **NOTE:**

Use genuine NISSAN exhaust system parts or equivalent, which are specifically designed for heat resistance, corrosion resistance, and shape.

A

EX

C

D

E

F

G

H

I

J

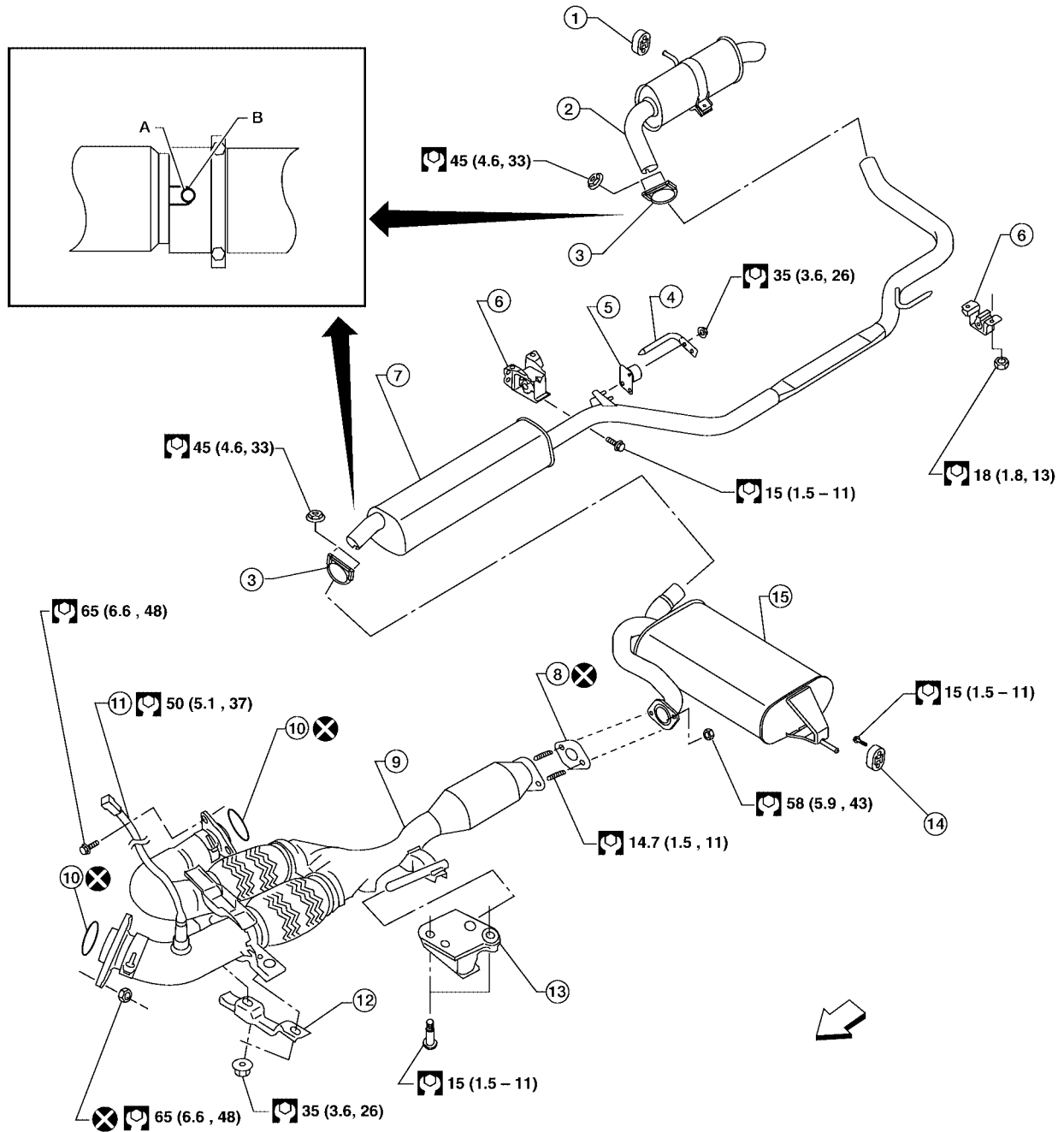
K

L

M

# EXHAUST SYSTEM

SEC. 200



- |                                       |  |   |
|---------------------------------------|--|---|
| 1. Rear muffler hanger                | 2. Rear muffler                                    | 3. U clamp                                    |
| 4. Center exhaust tube hanger         | 5. Dynamic damper                                  | 6. Center exhaust tube hanger bracket         |
| 7. Center exhaust tube                | 8. Gasket  | 9. Front exhaust tube                         |
| 10. Ring gasket                       | 11. Heated oxygen sensor 2 (bank 2) (5 A/T models) | 12. Front exhaust tube bracket (4 A/T models) |
| 13. Front exhaust tube hanger bracket | 14. Main muffler hanger                            | 15. Main muffler                              |
| A. Button                             | B. Slit  | ⇐ Vehicle front                               |

WBIA0802E

# EXHAUST SYSTEM

## REMOVAL

Remove exhaust system components using power tool.

## INSTALLATION

Installation is in the reverse order of removal.

Tool number : — (J-43897-12)

Tool number : — (J-43897-18)

### CAUTION:

- Always replace exhaust gaskets with new ones when reassembling.
- Before installing a new heated oxygen sensor, clean the exhaust tube threads using commercial service tool and approved anti-seize lubricant.
- Discard any heated oxygen sensor which has been dropped from a height of more than 0.5 m (19.7 in) onto a hard surface such as a concrete floor; install a new one.
- Do not over-torque the heated oxygen sensor. Doing so may damage the heated oxygen sensor, resulting in the MIL coming on.
- If any mounting insulator is badly deformed, repair or replace it. If deposits such as mud pile up on the mounting insulator, clean and inspect them.
- Temporarily tighten the nuts on the exhaust manifold side and the bolts on the vehicle side. Check each part for interference with other components, and then tighten the nuts and bolts to specification.

## INSPECTION AFTER INSTALLATION

- With the engine running, check the exhaust tube joints for exhaust gas leaks and unusual noises.
- Check that the mounting brackets and mounting insulators are installed properly and free from excessive stress. Improper installation could result in excessive noise, leaks, and vibration.

A

EX

C

D

E

F

G

H

I

J

K

L

M

# EXHAUST SYSTEM

---