

A

ACC

SECTION ACC

ACCELERATOR CONTROL SYSTEM

C

CONTENTS

D

E

<p>PRECAUTIONS 2</p> <p>Precautions for Supplemental Restraint System (SRS) "AIR BAG" and "SEAT BELT PRE-TENSIONER" 2</p>	<p>ACCELERATOR CONTROL SYSTEM 3</p> <p>Removal and Installation 3</p> <p>ADJUSTABLE PEDAL 3</p> <p>NON-ADJUSTABLE PEDAL 4</p> <p>ADJUSTABLE PEDAL ELECTRIC MOTOR 5</p> <p>SERVICE DATA AND SPECIFICATIONS (SDS) 6</p> <p>Accelerator Control 6</p> <p>PEDAL TRAVEL 6</p>	<p>F</p> <p>G</p> <p>H</p>
--	--	----------------------------

I

J

K

L

M

PRECAUTIONS

PRECAUTIONS

PF0:00001

Precautions for Supplemental Restraint System (SRS) “AIR BAG” and “SEAT BELT PRE-TENSIONER”

EBS000US

The Supplemental Restraint System such as “AIR BAG” and “SEAT BELT PRE-TENSIONER”, used along with a front seat belt, helps to reduce the risk or severity of injury to the driver and front passenger for certain types of collision. This system includes seat belt switch inputs and dual stage front air bag modules. The SRS system uses the seat belt switches to determine the front air bag deployment, and may only deploy one front air bag, depending on the severity of a collision and whether the front occupants are belted or unbelted. Information necessary to service the system safely is included in the SRS and SB section of this Service Manual.

WARNING:

- To avoid rendering the SRS inoperative, which could increase the risk of personal injury or death in the event of a collision which would result in air bag inflation, all maintenance must be performed by an authorized NISSAN/INFINITI dealer.
- Improper maintenance, including incorrect removal and installation of the SRS, can lead to personal injury caused by unintentional activation of the system. For removal of Spiral Cable and Air Bag Module, see the SRS section.
- Do not use electrical test equipment on any circuit related to the SRS unless instructed to in this Service Manual. SRS wiring harnesses can be identified by yellow and/or orange harnesses or harness connectors.

ACCELERATOR CONTROL SYSTEM

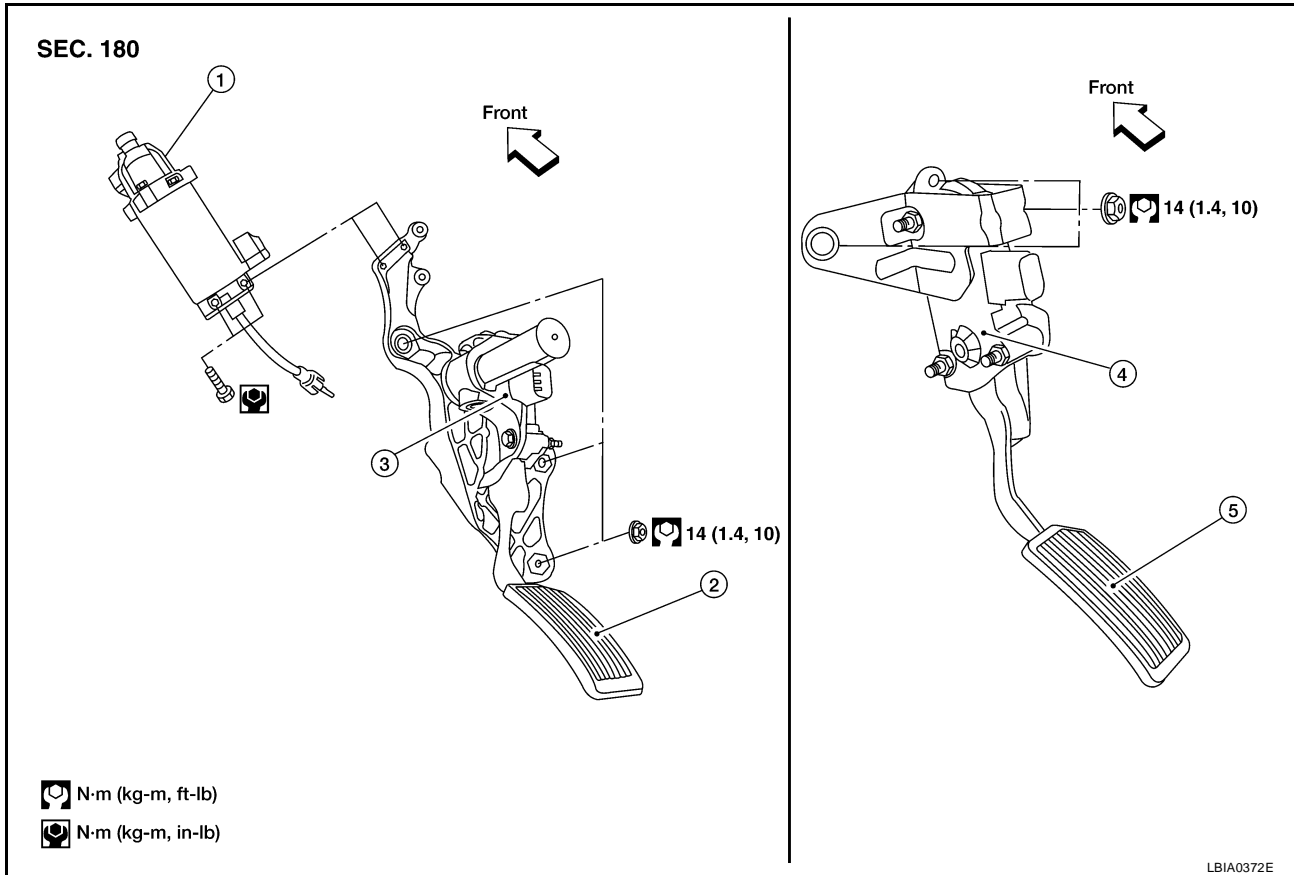
PFP:18005

EBS00QAJ

ACCELERATOR CONTROL SYSTEM

Removal and Installation

Adjustable and Non-adjustable Accelerator Pedal



1. Adjustable pedal electric motor
2. Adjustable accelerator pedal
3. Accelerator position sensor (adjustable pedal)
4. Accelerator position sensor (non-adjustable pedal)
5. Non-adjustable accelerator pedal

CAUTION:

- Before removal and installation the accelerator and brake pedals must be in the front most position. This is to align the base position of the accelerator and brake pedals (adjustable type only).
- Do not disassemble the accelerator pedal assembly.
- Do not remove the accelerator pedal position sensor from the accelerator pedal bracket.
- Do not disassemble the accelerator pedal adjusting mechanism (adjustable type only).
- Avoid damage from dropping the accelerator pedal assembly during handling.
- Keep the accelerator pedal assembly away from water.

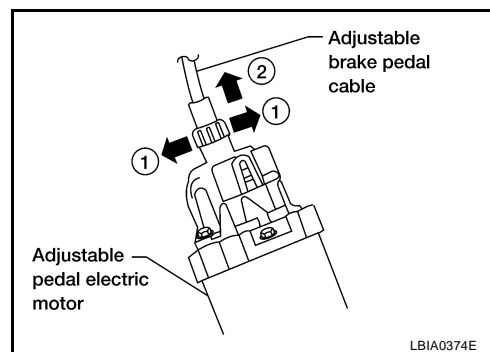
ADJUSTABLE PEDAL

Removal

1. Move the accelerator and brake pedals to the frontmost position.
2. Turn the ignition switch OFF and disconnect the negative battery terminal.
3. Remove the heater and cooling unit assembly. Refer to [ATC-170, "FRONT HEATER AND COOLING UNIT ASSEMBLY"](#).

ACCELERATOR CONTROL SYSTEM

4. Disconnect the adjustable brake pedal cable from the adjustable pedal electric motor.
 - Unlock (1) then pull (2) the adjustable brake pedal cable end to disconnect it from the adjustable pedal electric motor as shown.
 - When unlocking the cable end, do not spread open the lock tabs more than is necessary to release the cable end.
5. Disconnect the adjustable pedal electric motor electrical connector.
6. Disconnect the accelerator position sensor electrical connector.
7. Remove the upper and lower accelerator pedal nuts.
8. Remove the adjustable accelerator pedal assembly.

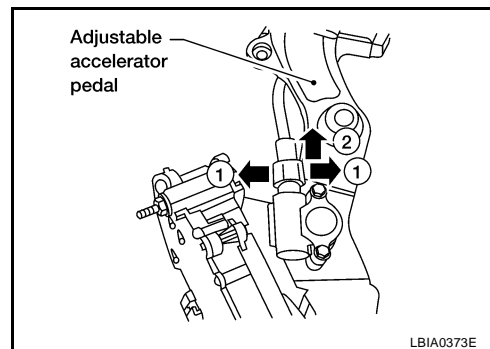


CAUTION:

- Do not disassemble the pedal assembly. Do not remove the accelerator pedal position sensor from the pedal bracket.
 - Avoid damage from dropping the accelerator pedal assembly during handling.
 - Keep the accelerator pedal assembly away from water.
9. Disconnect the adjustable accelerator pedal cable from the adjustable accelerator pedal.
 - Unlock (1) then pull (2) the adjustable accelerator pedal cable end to disconnect it from the adjustable accelerator pedal as shown.
 - When unlocking the cable end, do not spread open the lock tabs more than is necessary to release the cable end.

NOTE:

The rear view of the adjustable accelerator pedal is shown for clarity.



10. Remove the adjustable pedal electric motor from the adjustable accelerator pedal bracket.

Installation

Installation is in the reverse order of removal.

- Check the accelerator pedal for smooth operation. There should be no binding or sticking when applying or releasing the accelerator pedal.
- Check the accelerator pedal adjustable feature for smooth operation. There should be no binding or sticking when adjusting the accelerator pedal forward or backward.
- Check that the cable end is locked securely onto the adjustable pedal electric motor.

CAUTION:

Whenever the harness connector of the accelerator pedal position sensor has been disconnected, perform the "Accelerator Pedal Released Position Learning". Refer to [EC-80, "Accelerator Pedal Released Position Learning"](#).

NON-ADJUSTABLE PEDAL

Removal

1. Disconnect the accelerator position sensor electrical connector.
2. Remove the upper and lower accelerator pedal nuts.
3. Remove the accelerator pedal assembly.

CAUTION:

- Do not disassemble the pedal assembly. Do not remove the accelerator pedal position sensor from the pedal bracket.
- Avoid damage from dropping the accelerator pedal assembly during handling.
- Keep the accelerator pedal assembly away from water.

Installation

Installation is in the reverse order of removal.

ACCELERATOR CONTROL SYSTEM

- Check the accelerator pedal for smooth operation. There should be no binding or sticking when applying or releasing the accelerator pedal.

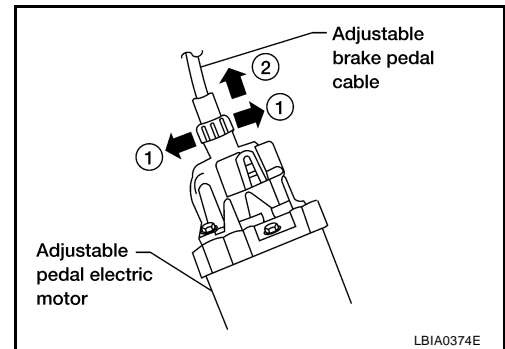
CAUTION:

Whenever the harness connector of the accelerator pedal position sensor has been disconnected, perform the "Accelerator Pedal Released Position Learning". Refer to [EC-80, "Accelerator Pedal Released Position Learning"](#).

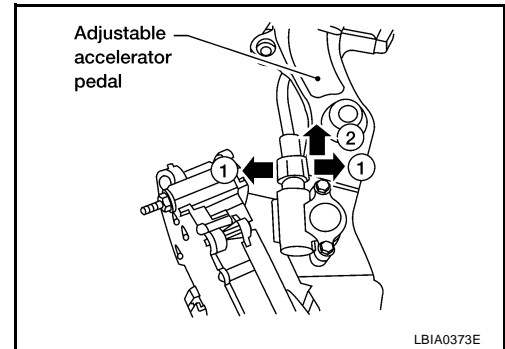
ADJUSTABLE PEDAL ELECTRIC MOTOR

Removal

1. Move the accelerator and brake pedals to the frontmost position.
2. Turn the ignition switch OFF and disconnect the negative battery terminal.
3. Disconnect the adjustable brake pedal cable from the adjustable pedal electric motor.
 - Unlock (1) then pull (2) the adjustable brake pedal cable end to disconnect it from the adjustable pedal electric motor as shown.
 - When unlocking the cable end, do not spread open the lock tabs more than is necessary to release the cable end.
4. Disconnect the adjustable pedal electric motor electrical connector.



5. Disconnect the adjustable accelerator pedal cable from the adjustable accelerator pedal.
 - Unlock (1) then pull (2) the adjustable accelerator pedal cable end to disconnect it from the adjustable accelerator pedal as shown.
 - When unlocking the cable end, do not spread open the lock tabs more than is necessary to release the cable end.



NOTE:

The rear view of the adjustable accelerator pedal is shown for clarity.

6. Remove the adjustable pedal electric motor from the adjustable accelerator pedal bracket.

CAUTION:

- Do not disassemble the adjustable pedal electric motor.
- Avoid damage from dropping the adjustable pedal electric motor during handling.
- Keep the adjustable pedal electric motor away from water.

Installation

Installation is in the reverse order of removal.

- Check the accelerator pedal adjustable feature for smooth operation. There should be no binding or sticking when adjusting the accelerator pedal forward or backward.
- Check that the cable end is locked securely onto the adjustable pedal electric motor.

CAUTION:

Whenever the harness connector of the accelerator pedal position sensor has been disconnected, perform the "Accelerator Pedal Released Position Learning". Refer to [EC-80, "Accelerator Pedal Released Position Learning"](#).

SERVICE DATA AND SPECIFICATIONS (SDS)

SERVICE DATA AND SPECIFICATIONS (SDS)

PFP:00030

Accelerator Control PEDAL TRAVEL

EBS00QAK

Accelerator control pedal - total travel	73.2 mm (2.88 in)
--	-------------------
