

**SECTION EI**  
**EXTERIOR & INTERIOR**

A  
B  
C  
D  
E  
F  
G  
H  
EI  
J  
K  
L  
M  
N  
O  
P

**CONTENTS**

<b>SERVICE INFORMATION</b> .....	2	Removal and Installation .....	20
<b>PRECAUTIONS</b> .....	2	<b>FENDER PROTECTOR</b> .....	21
Precaution for Supplemental Restraint System (SRS) "AIR BAG" and "SEAT BELT PRE-TENSIONER" .....	2	Removal and Installation .....	21
Precaution .....	2	<b>MUDGUARD</b> .....	22
<b>PREPARATION</b> .....	3	Removal and Installation .....	22
Special Service Tool .....	3	<b>LICENSE LAMP FINISHER</b> .....	23
Commercial Service Tool .....	3	Removal and Installation .....	23
<b>SQUEAK AND RATTLE TROUBLE DIAGNOSIS</b> .....	4	<b>ROOF RACK</b> .....	24
Work Flow .....	4	Removal and Installation .....	24
Generic Squeak and Rattle Troubleshooting .....	6	<b>ROOF SIDE MOLDING</b> .....	25
Diagnostic Worksheet .....	8	Removal and Installation .....	25
<b>CLIP AND FASTENER</b> .....	10	<b>DOOR OUTSIDE MOLDING</b> .....	26
Description .....	10	Removal and Installation .....	26
<b>FRONT BUMPER</b> .....	13	<b>SIDE GUARD MOLDING</b> .....	27
Removal and Installation .....	13	Removal and Installation .....	27
<b>REAR BUMPER</b> .....	15	<b>DOOR FINISHER</b> .....	29
Removal and Installation .....	15	Removal and Installation .....	29
<b>FRONT GRILLE</b> .....	17	<b>BODY SIDE TRIM</b> .....	31
Removal and Installation .....	17	Removal and Installation .....	31
<b>COWL TOP</b> .....	18	<b>FLOOR TRIM</b> .....	36
Removal and Installation .....	18	Removal and Installation .....	36
<b>FRONT FENDER</b> .....	20	<b>HEADLINING</b> .....	38
		Removal and Installation .....	38

# PRECAUTIONS

< SERVICE INFORMATION >

## SERVICE INFORMATION

### PRECAUTIONS

#### Precaution for Supplemental Restraint System (SRS) "AIR BAG" and "SEAT BELT PRE-TENSIONER"

INFOID:000000001718713

The Supplemental Restraint System such as "AIR BAG" and "SEAT BELT PRE-TENSIONER", used along with a front seat belt, helps to reduce the risk or severity of injury to the driver and front passenger for certain types of collision. This system includes seat belt switch inputs and dual stage front air bag modules. The SRS system uses the seat belt switches to determine the front air bag deployment, and may only deploy one front air bag, depending on the severity of a collision and whether the front occupants are belted or unbelted. Information necessary to service the system safely is included in the SRS and SB section of this Service Manual.

#### **WARNING:**

- To avoid rendering the SRS inoperative, which could increase the risk of personal injury or death in the event of a collision which would result in air bag inflation, all maintenance must be performed by an authorized NISSAN/INFINITI dealer.
- Improper maintenance, including incorrect removal and installation of the SRS, can lead to personal injury caused by unintentional activation of the system. For removal of Spiral Cable and Air Bag Module, see the SRS section.
- Do not use electrical test equipment on any circuit related to the SRS unless instructed to in this Service Manual. SRS wiring harnesses can be identified by yellow and/or orange harnesses or harness connectors.

#### Precaution

INFOID:000000001718714

- When removing or disassembling any part, be careful not to damage or deform it. Protect parts which may get in the way with cloth.
- When removing parts with a screwdriver or other tool, protect parts by wrapping the tool with vinyl or tape.
- Keep removed parts protected with cloth.
- If a clip is deformed or damaged, replace it.
- If an un reusable part is removed, replace it with a new one.
- Tighten bolts and nuts firmly to the specified torque.
- After re-assembly has been completed, make sure each part functions correctly.
- Remove stains in the following way.
  - Water-soluble stains:  
Dip a cloth in warm water, and squeeze tightly. After wiping the stain, wipe with a soft dry cloth.
  - Oil stain:  
Dissolve a synthetic detergent in warm water (density of 2 to 3% or less), dip the cloth, then clean off the stain with the cloth. Next, dip the soft cloth in fresh water, and then squeeze it tightly. Then clean off the detergent completely. Then wipe the area with a soft dry cloth.
- Do not use any organic solvent, such as thinner or benzine.

# PREPARATION

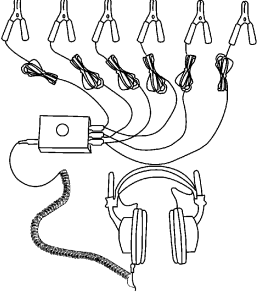
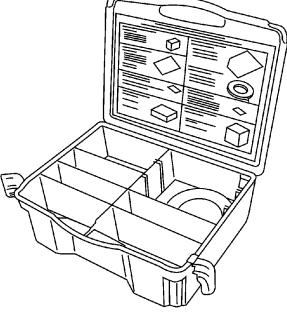
< SERVICE INFORMATION >

## PREPARATION

### Special Service Tool

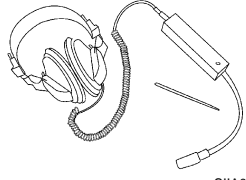
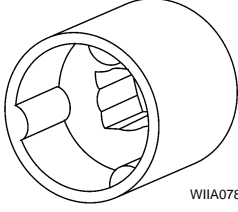
INFOID:000000001718715

The actual shapes of Kent-Moore tools may differ from those of special service tools illustrated here.

Tool number (Kent-Moore No.) Tool name	Description
— (J-39570) Chassis ear	Locating the noise
 <p style="text-align: right;">SBT839</p>	
— (J-43980) NISSAN Squeak and Rattle kit	Repairing the cause of noise
 <p style="text-align: right;">SBT840</p>	

### Commercial Service Tool

INFOID:000000001718716

(Kent-Moore No.) Tool name	Description
(J-39565) Engine ear	Locating the noise
 <p style="text-align: right;">S1IA0995E</p>	
(J-47126) Net Hook Socket	Remove and install the net hook fasteners
 <p style="text-align: right;">W1IA0780E</p>	

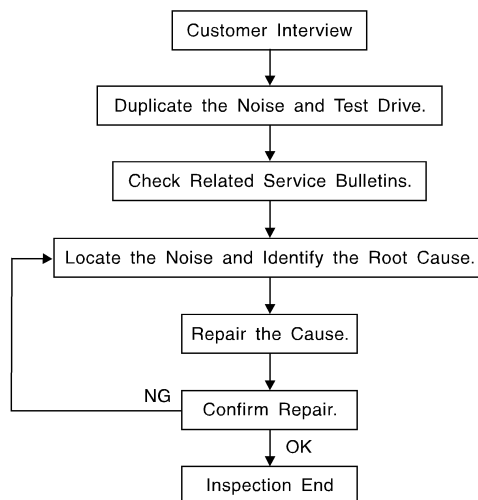
# SQUEAK AND RATTLE TROUBLE DIAGNOSIS

< SERVICE INFORMATION >

## SQUEAK AND RATTLE TROUBLE DIAGNOSIS

### Work Flow

INFOID:000000001718717



SBT842

### CUSTOMER INTERVIEW

Interview the customer, if possible, to determine the conditions that exist when the noise occurs. Use the Diagnostic Worksheet during the interview to document the facts and conditions when the noise occurs and any customer's comments; refer to [EI-8, "Diagnostic Worksheet"](#). This information is necessary to duplicate the conditions that exist when the noise occurs.

- The customer may not be able to provide a detailed description or the location of the noise. Attempt to obtain all the facts and conditions that exist when the noise occurs (or does not occur).
- If there is more than one noise in the vehicle, be sure to diagnose and repair the noise that the customer is concerned about. This can be accomplished by test driving the vehicle with the customer.
- After identifying the type of noise, isolate the noise in terms of its characteristics. The noise characteristics are provided so the customer, service adviser and technician are all speaking the same language when defining the noise.
- Squeak — (Like tennis shoes on a clean floor)  
Squeak characteristics include the light contact/fast movement/brought on by road conditions/hard surfaces = higher pitch noise/softer surfaces = lower pitch noises/edge to surface = chirping
- Creak — (Like walking on an old wooden floor)  
Creak characteristics include firm contact/slow movement/twisting with a rotational movement/pitch dependent on materials/often brought on by activity.
- Rattle — (Like shaking a baby rattle)  
Rattle characteristics include the fast repeated contact/vibration or similar movement/loose parts/missing clip or fastener/incorrect clearance.
- Knock — (Like a knock on a door)  
Knock characteristics include hollow sounding/sometimes repeating/often brought on by driver action.
- Tick — (Like a clock second hand)  
Tick characteristics include gentle contacting of light materials/loose components/can be caused by driver action or road conditions.
- Thump — (Heavy, muffled knock noise)  
Thump characteristics include softer knock/dead sound often brought on by activity.
- Buzz — (Like a bumblebee)  
Buzz characteristics include high frequency rattle/firm contact.
- Often the degree of acceptable noise level will vary depending upon the person. A noise that you may judge as acceptable may be very irritating to the customer.
- Weather conditions, especially humidity and temperature, may have a great effect on noise level.

### DUPLICATE THE NOISE AND TEST DRIVE

If possible, drive the vehicle with the customer until the noise is duplicated. Note any additional information on the Diagnostic Worksheet regarding the conditions or location of the noise. This information can be used to duplicate the same conditions when you confirm the repair.

# SQUEAK AND RATTLE TROUBLE DIAGNOSIS

## < SERVICE INFORMATION >

If the noise can be duplicated easily during the test drive, to help identify the source of the noise, try to duplicate the noise with the vehicle stopped by doing one or all of the following:

- Close a door.
- Tap or push/pull around the area where the noise appears to be coming from.
- Rev the engine.
- Use a floor jack to recreate vehicle "twist".
- At idle, apply engine load (electrical load, half-clutch on M/T model, drive position on A/T model).
- Raise the vehicle on a hoist and hit a tire with a rubber hammer.
- Drive the vehicle and attempt to duplicate the conditions the customer states exist when the noise occurs.
- If it is difficult to duplicate the noise, drive the vehicle slowly on an undulating or rough road to stress the vehicle body.

## CHECK RELATED SERVICE BULLETINS

After verifying the customer concern or symptom, check ASIST for Technical Service Bulletins (TSBs) related to that concern or symptom.

If a TSB relates to the symptom, follow the procedure to repair the noise.

## LOCATE THE NOISE AND IDENTIFY THE ROOT CAUSE

1. Narrow down the noise to a general area. To help pinpoint the source of the noise, use a listening tool (Chassis Ear: J-39570, Engine Ear: J-39565 and mechanics stethoscope).
2. Narrow down the noise to a more specific area and identify the cause of the noise by:
  - Removing the components in the area that you suspect the noise is coming from.  
**Do not use too much force when removing clips and fasteners, otherwise clips and fasteners can be broken or lost during the repair, resulting in the creation of new noise.**
  - Tapping or pushing/pulling the component that you suspect is causing the noise.  
**Do not tap or push/pull the component with excessive force, otherwise the noise will be eliminated only temporarily.**
  - Feeling for a vibration with your hand by touching the component(s) that you suspect is (are) causing the noise.
  - Placing a piece of paper between components that you suspect are causing the noise.
  - Looking for loose components and contact marks.Refer to [EI-6. "Generic Squeak and Rattle Troubleshooting"](#).

## REPAIR THE CAUSE

- If the cause is a loose component, tighten the component securely.
- If the cause is insufficient clearance between components:
  - Separate components by repositioning or loosening and retightening the component, if possible.
  - Insulate components with a suitable insulator such as urethane pads, foam blocks, felt cloth tape or urethane tape. A NISSAN Squeak and Rattle Kit (J-43980) is available through your authorized NISSAN Parts Department.

### CAUTION:

**Do not use excessive force as many components are constructed of plastic and may be damaged.**

**Always check with the Parts Department for the latest parts information.**

The following materials are contained in the NISSAN Squeak and Rattle Kit (J-43980). Each item can be ordered separately as needed.

URETHANE PADS [1.5 mm (0.059 in) thick]

Insulates connectors, harness, etc.

76268-9E005: 100 x 135 mm (3.94 x 5.31 in)/76884-71L01: 60 x 85 mm (2.36 x 3.35 in)/76884-71L02: 15 x 25 mm (0.59 x 0.98 in)

INSULATOR (Foam blocks)

Insulates components from contact. Can be used to fill space behind a panel.

73982-9E000: 45 mm (1.77 in) thick, 50 x 50 mm (1.97 x 1.97 in)/73982-50Y00: 10 mm (0.39 in) thick, 50 x 50 mm (1.97 x 1.97 in)

INSULATOR (Light foam block)

80845-71L00: 30 mm (1.18 in) thick, 30 x 50 mm (1.18 x 1.97 in)

FELT CLOTH TAPE

Used to insulate where movement does not occur. Ideal for instrument panel applications.

68370-4B000: 15 x 25 mm (0.59 x 0.98 in) pad/68239-13E00: 5 mm (0.20 in) wide tape roll

The following materials, not found in the kit, can also be used to repair squeaks and rattles.

UHMW (TEFLON) TAPE

Insulates where slight movement is present. Ideal for instrument panel applications.

# SQUEAK AND RATTLE TROUBLE DIAGNOSIS

## < SERVICE INFORMATION >

---

### SILICONE GREASE

Used in place of UHMW tape that will be visible or not fit.

Note: Will only last a few months.

### SILICONE SPRAY

Use when grease cannot be applied.

### DUCT TAPE

Use to eliminate movement.

### CONFIRM THE REPAIR

Confirm that the cause of a noise is repaired by test driving the vehicle. Operate the vehicle under the same conditions as when the noise originally occurred. Refer to the notes on the Diagnostic Worksheet.

## Generic Squeak and Rattle Troubleshooting

INFOID:000000001718718

**Refer to Table of Contents for specific component removal and installation information.**

### INSTRUMENT PANEL

Most incidents are caused by contact and movement between:

1. The cluster lid A and instrument panel
2. Acrylic lens and combination meter housing
3. Instrument panel to front pillar garnish
4. Instrument panel to windshield
5. Instrument panel mounting pins
6. Wiring harnesses behind the combination meter
7. A/C defroster duct and duct joint

These incidents can usually be located by tapping or moving the components to duplicate the noise or by pressing on the components while driving to stop the noise. Most of these incidents can be repaired by applying felt cloth tape or silicone spray (in hard to reach areas). Urethane pads can be used to insulate wiring harness.

#### **CAUTION:**

**Do not use silicone spray to isolate a squeak or rattle. If you saturate the area with silicone, you will not be able to recheck the repair.**

### CENTER CONSOLE

Components to pay attention to include:

1. Shifter assembly cover to finisher
2. A/C control unit and upper/lower cluster lid C
3. Wiring harnesses behind audio and A/C control unit

The instrument panel repair and isolation procedures also apply to the center console.

### DOORS

Pay attention to the:

1. Finisher and inner panel making a slapping noise
2. Inside handle escutcheon to door finisher
3. Wiring harnesses tapping
4. Door striker out of alignment causing a popping noise on starts and stops

Tapping or moving the components or pressing on them while driving to duplicate the conditions can isolate many of these incidents. You can usually insulate the areas with felt cloth tape or insulator foam blocks from the NISSAN Squeak and Rattle Kit (J-43980) to repair the noise.

### BACK DOOR

Luggage compartment noises are often caused by a loose jack or loose items put into the luggage compartment by the owner.

In addition look for:

1. Back door bumpers out of adjustment
2. Back door striker out of adjustment
3. A loose license plate or bracket

# SQUEAK AND RATTLE TROUBLE DIAGNOSIS

## < SERVICE INFORMATION >

Most of these incidents can be repaired by adjusting, securing or insulating the item(s) or component(s) causing the noise.

### SUNROOF/HEADLINER

Noises in the sunroof/headliner area can often be traced to one of the following:

1. Sunroof lid, rail, linkage or seals making a rattle or light knocking noise
2. Sunvisor shaft shaking in the holder
3. Front or rear windshield touching headliner and squeaking

Again, pressing on the components to stop the noise while duplicating the conditions can isolate most of these incidents. Repairs usually consist of insulating with felt cloth tape.

### OVERHEAD CONSOLE (FRONT AND REAR)

Overhead console noises are often caused by the console panel clips not being engaged correctly. Most of these incidents are repaired by pushing up on the console at the clip locations until the clips engage.

In addition look for:

1. Loose harness or harness connectors.
2. Front console map/reading lamp lens loose.
3. Loose screws at console attachment points.

### SEATS

When isolating seat noises it is important to note the position the seat is in and the load placed on the seat when the noise is present. These conditions should be duplicated when verifying and isolating the cause of the noise.

Cause of seat noise include:

1. Headrest rods and holders
2. A squeak between the seat pad cushion and frame
3. The rear seatback lock and bracket

These noises can be isolated by moving or pressing on the suspected components while duplicating the conditions under which the noise occurs. Most of these incidents can be repaired by repositioning the component or applying urethane tape to the contact area.

### UNDERHOOD

Some interior noises may be caused by components under the hood or on the engine wall. The noise is then transmitted into the passenger compartment.

Causes of transmitted underhood noises include:

1. Any component mounted to the engine wall
2. Components that pass through the engine wall
3. Engine wall mounts and connectors
4. Loose radiator mounting pins
5. Hood bumpers out of adjustment
6. Hood striker out of adjustment

These noises can be difficult to isolate since they cannot be reached from the interior of the vehicle. The best method is to secure, move or insulate one component at a time and test drive the vehicle. Also, engine RPM or load can be changed to isolate the noise. Repairs can usually be made by moving, adjusting, securing, or insulating the component causing the noise.

A  
B  
C  
D  
E  
F  
G  
H  
EI  
J  
K  
L  
M  
N  
O  
P

# SQUEAK AND RATTLE TROUBLE DIAGNOSIS

< SERVICE INFORMATION >

## Diagnostic Worksheet

INFOID:000000001718719

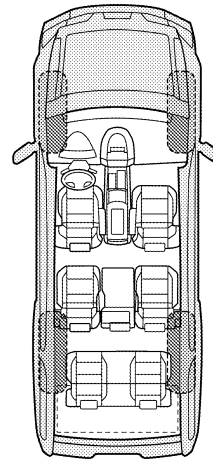
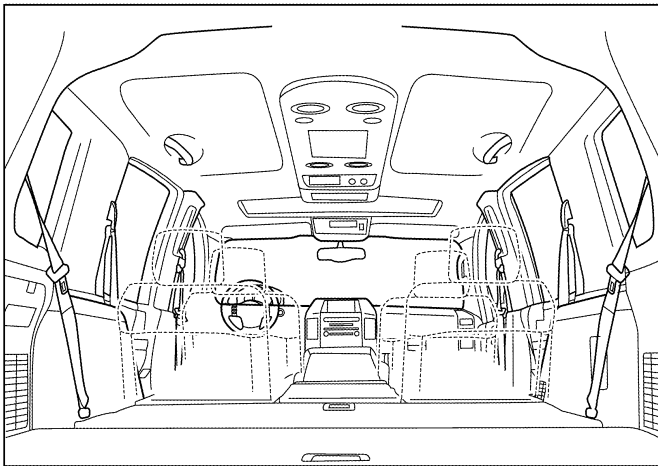
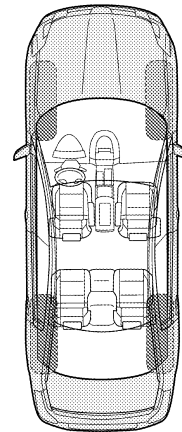
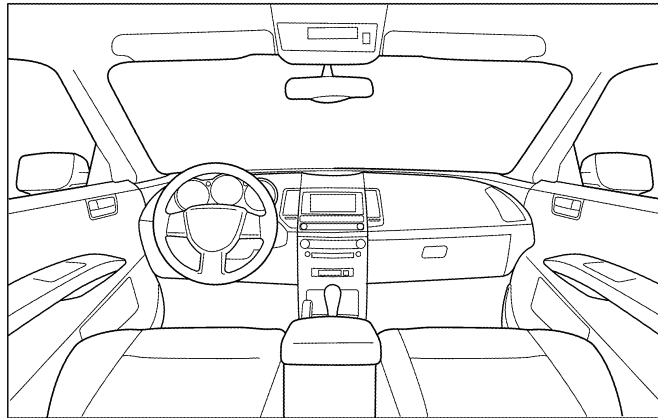
Dear Customer:

We are concerned about your satisfaction with your vehicle. Repairing a squeak or rattle sometimes can be very difficult. To help us fix your vehicle right the first time, please take a moment to note the area of the vehicle where the squeak or rattle occurs and under what conditions. You may be asked to take a test drive with a service advisor or technician to ensure we confirm the noise you are hearing.

### SQUEAK & RATTLE DIAGNOSTIC WORKSHEET

#### I. WHERE DOES THE NOISE COME FROM? (circle the area of the vehicle)

The illustrations are for reference only, and may not reflect the actual configuration of your vehicle.



Continue to page 2 of the worksheet and briefly describe the location of the noise or rattle. In addition, please indicate the conditions which are present when the noise occurs.



# SQUEAK AND RATTLE TROUBLE DIAGNOSIS

< SERVICE INFORMATION >

## SQUEAK & RATTLE DIAGNOSTIC WORKSHEET - page 2

Briefly describe the location where the noise occurs:

---

---

### II. WHEN DOES IT OCCUR? (please check the boxes that apply)

- |   |  |
|---|--|
| <input type="checkbox"/> Anytime                      | <input type="checkbox"/> After sitting out in the rain |
| <input type="checkbox"/> 1st time in the morning      | <input type="checkbox"/> When it is raining or wet     |
| <input type="checkbox"/> Only when it is cold outside | <input type="checkbox"/> Dry or dusty conditions       |
| <input type="checkbox"/> Only when it is hot outside  | <input type="checkbox"/> Other:                        |

### III. WHEN DRIVING:

- Through driveways
- Over rough roads
- Over speed bumps
- Only about \_\_\_\_ mph
- On acceleration
- Coming to a stop
- On turns: left, right or either (circle)
- With passengers or cargo
- Other: \_\_\_\_\_
- After driving \_\_\_\_ miles or \_\_\_\_ minutes

### IV. WHAT TYPE OF NOISE

- Squeak (like tennis shoes on a clean floor)
- Creak (like walking on an old wooden floor)
- Rattle (like shaking a baby rattle)
- Knock (like a knock at the door)
- Tick (like a clock second hand)
- Thump (heavy muffled knock noise)
- Buzz (like a bumble bee)

### TO BE COMPLETED BY DEALERSHIP PERSONNEL

#### Test Drive Notes:

---

---

---

	YES	NO	Initials of person performing
Vehicle test driven with customer	<input type="checkbox"/>	<input type="checkbox"/>	_____
- Noise verified on test drive	<input type="checkbox"/>	<input type="checkbox"/>	_____
- Noise source located and repaired	<input type="checkbox"/>	<input type="checkbox"/>	_____
- Follow up test drive performed to confirm repair	<input type="checkbox"/>	<input type="checkbox"/>	_____

VIN: \_\_\_\_\_ Customer Name \_\_\_\_\_  
W.O.# \_\_\_\_\_ Date: \_\_\_\_\_

This form must be attached to Work Order

LAI A0071E

A  
B  
C  
D  
E  
F  
G  
H  
EI  
J  
K  
L  
M  
N  
O  
P

# CLIP AND FASTENER


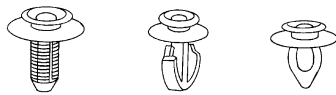


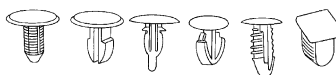
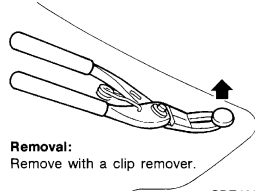

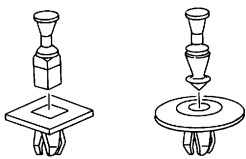
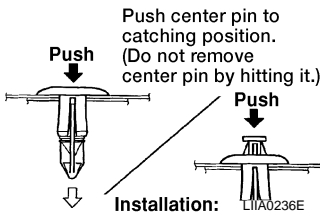

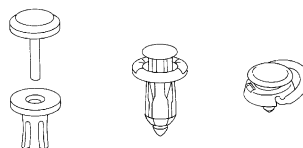
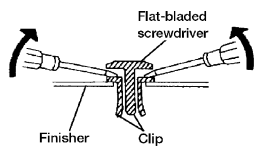

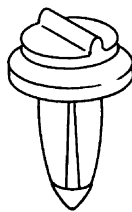
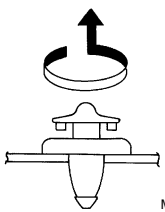

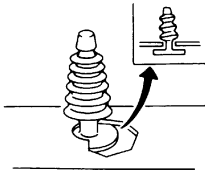
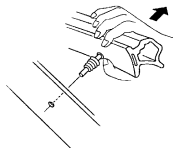
< SERVICE INFORMATION >

## CLIP AND FASTENER

### Description

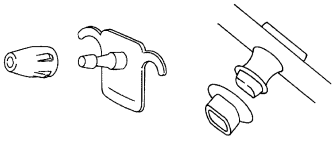
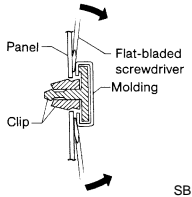

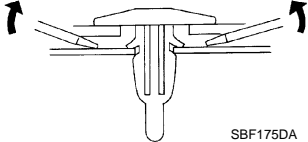
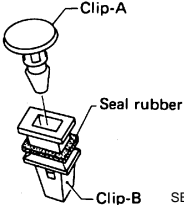
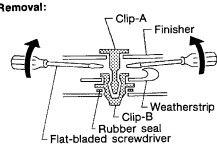
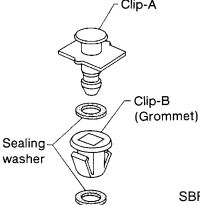
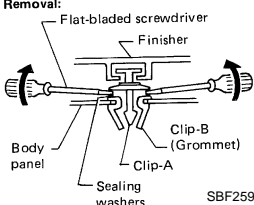
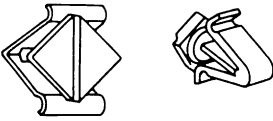
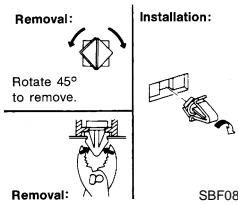
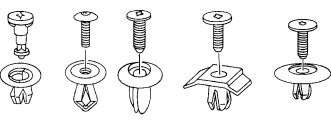
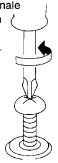
INFOID:000000001718720

- Clips and fasteners in EI section correspond to the following numbers and symbols.
- Replace any clips and/or fasteners which are damaged during removal or installation.

Symbol No.	Shapes	Removal & Installation
C101 	 SBF302H	<b>Removal:</b> Remove by bending up with flat-bladed screwdrivers or clip remover.  SBF367BA
C103 	 SBT095	 <b>Removal:</b> Remove with a clip remover. SBF423H
C203 	 SBF258G	<b>Installation:</b> Push center pin to catching position. (Do not remove center pin by hitting it.)  LIA0236E
C205 	 MBT080A	<b>Removal:</b>  Flat-bladed screwdriver Finisher Clip SBF638CA
C206 	 MBF519B	 MBF520B
CE103 	 SBF104B	<b>Removal:</b>  SBF147B

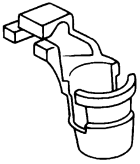
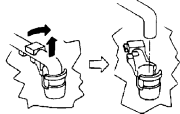

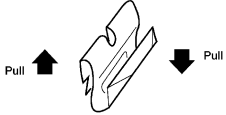
# CLIP AND FASTENER

## < SERVICE INFORMATION >

Symbol No.	Shapes	Removal & Installation	
CE107	 <p style="text-align: center;">SBF411H</p>	 <p style="text-align: right;">SBF767B</p>	A B C
CE117	 <p style="text-align: center;">SBF174D</p>	<p><b>Removal:</b> Remove by bending up with a flat-bladed screwdriver or pliers.</p>  <p style="text-align: right;">SBF175DA</p>	D E F
CF110	 <p style="text-align: center;">SBF648B</p>	<p><b>Removal:</b></p>  <p style="text-align: right;">SBF649B</p>	G H
CF118	 <p style="text-align: center;">SBF151D</p>	<p><b>Removal:</b></p>  <p style="text-align: right;">SBF259G</p>	EI J
CG101	 <p style="text-align: center;">SBF145B</p>	<p><b>Removal:</b> Rotate 45° to remove.</p> <p><b>Installation:</b></p>  <p style="text-align: right;">SBF085B</p>	K L M
CS101	 <p style="text-align: center;">SBF078B</p>	<p><b>Removal:</b></p> <ol style="list-style-type: none"> <li>Screw out with a Phillips screwdriver.</li> <li>Remove female portion with flat-bladed screwdriver.</li> </ol>  <p style="text-align: right;">SBF992G</p>	N O P

# CLIP AND FASTENER

## < SERVICE INFORMATION >

Symbol No.	Shapes	Removal & Installation
CR103	 <p style="text-align: center;">SBF768B</p>	<p><b>Removal:</b> Holder portion of clip must be spread out to remove rod.</p>  <p style="text-align: right;">SBF770B</p>
Metal Clip	 <p style="text-align: center;">WBT072</p>	<p><b>Removal:</b></p>  <p style="text-align: right;">WBT073</p>

# FRONT BUMPER

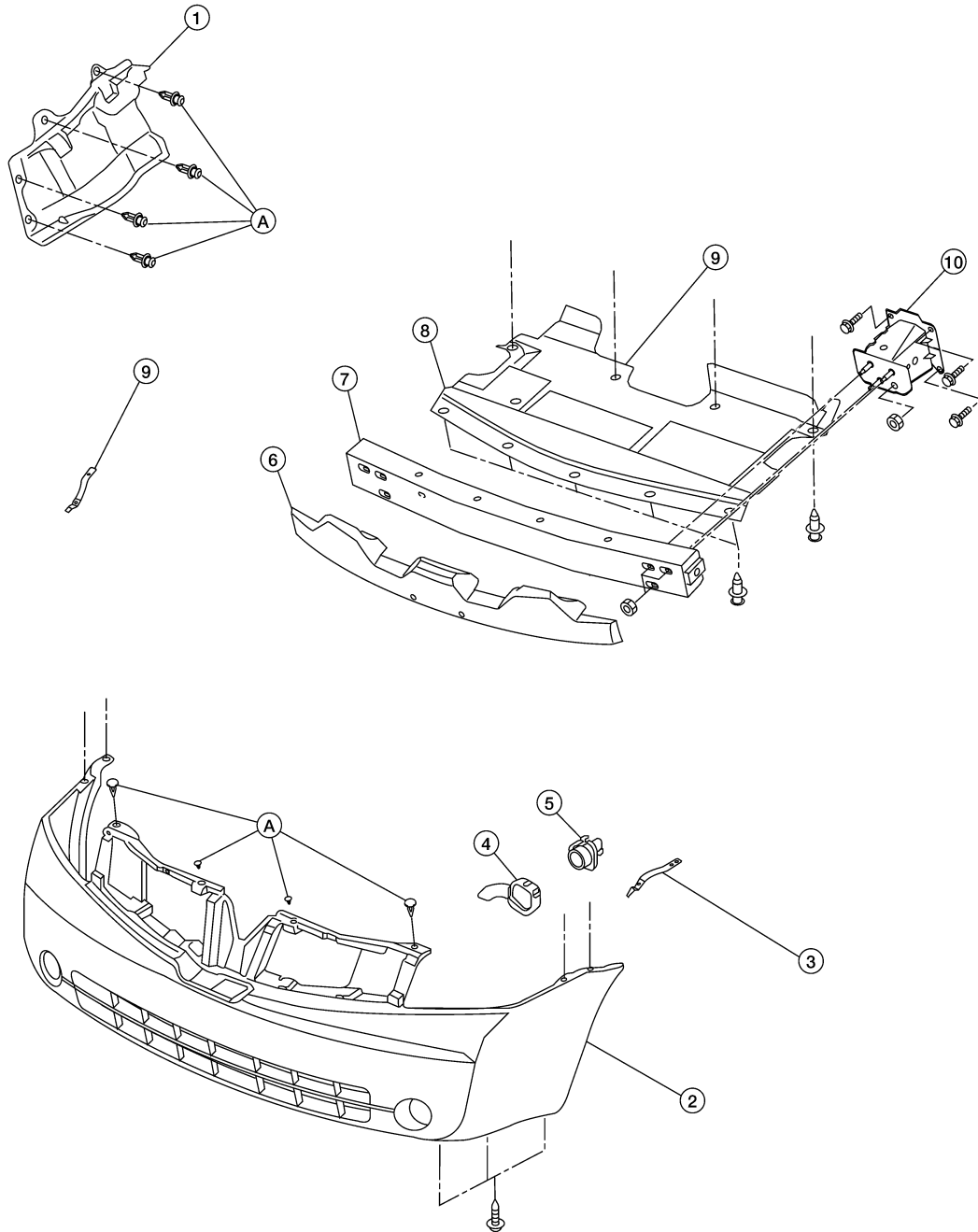
< SERVICE INFORMATION >

## FRONT BUMPER

### Removal and Installation

INFOID:000000001718721

SEC.620•623



- |   |                                      |                              |
|---|--------------------------------------|------------------------------|
| 1. Splash guard                             | 2. Front bumper fascia               | 3. Side front bumper bracket |
| 4. Fog lamp assembly brackets (if equipped) | 5. Fog lamp assemblies (if equipped) | 6. Energy absorbing foam     |

A  
B  
C  
D  
E  
F  
G  
H  
EI  
J  
K  
L  
M  
N  
O  
P

## FRONT BUMPER

### < SERVICE INFORMATION >

---

- |                                  |                            |                       |
|----------------------------------|----------------------------|-----------------------|
| 7. Front bumper reinforcement    | 8. Engine under cover seal | 9. Engine under cover |
| 10. Front bumper stay assemblies | A. Clip C205               |                       |

### REMOVAL

1. Remove splash guards RH/LH.
2. Partially remove front fender protectors RH/LH at front bumper fascia. Refer to [EI-21](#).
3. Remove engine under cover.
4. Remove engine under cover seal.
5. Remove front grille. Refer to [EI-17](#).
6. Disconnect fog lamps, if equipped.
7. Remove clips from top and screws from side of front bumper fascia.
8. Remove front bumper fascia.
9. Remove energy absorbing foam.
10. Remove front bumper reinforcement.
11. Remove front bumper stay assemblies.
12. Remove fog lamp assembly brackets RH/LH, if equipped.
13. Remove fog lamp assemblies RH/LH, if equipped.
14. Remove side front bumper brackets RH/LH.

### INSTALLATION

Installation is in the reverse order of removal.

# REAR BUMPER

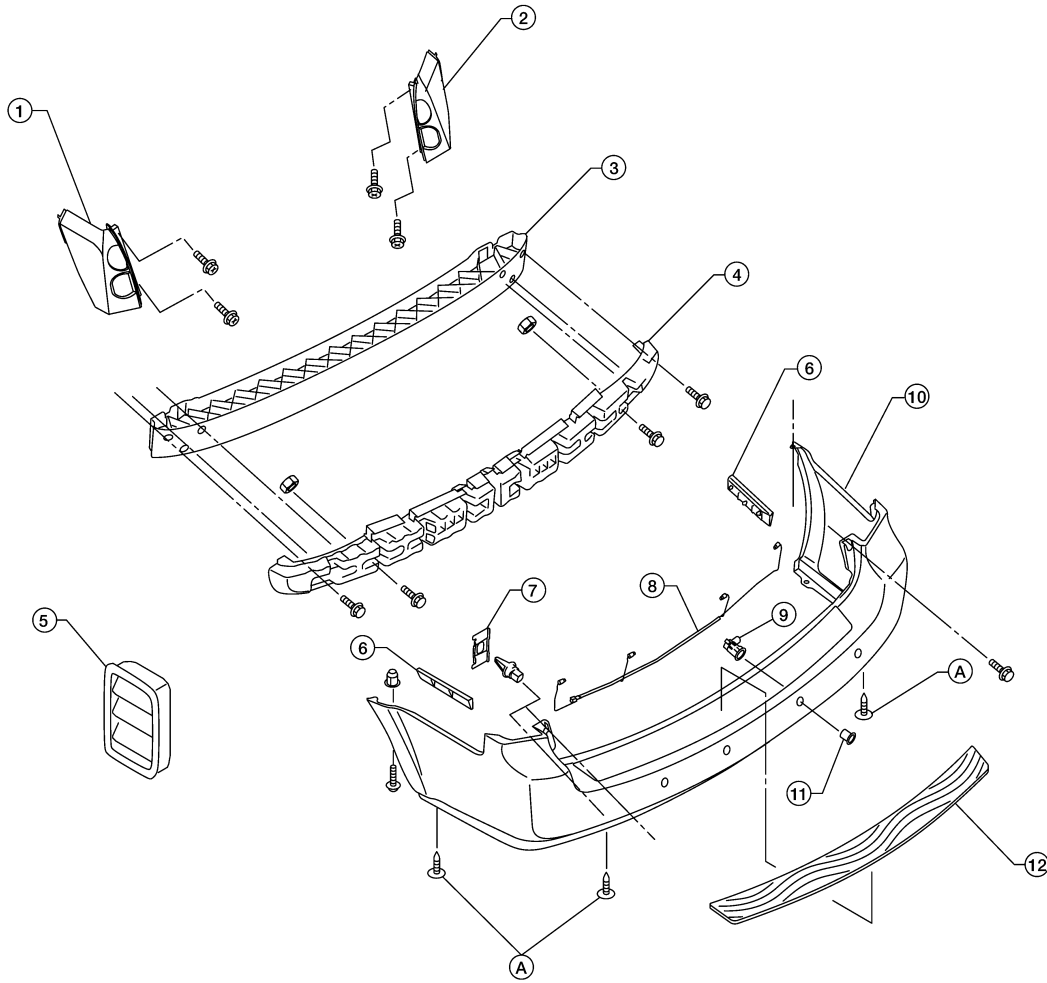
< SERVICE INFORMATION >

## REAR BUMPER

### Removal and Installation

INFOID:000000001718722

SEC.850



- 1. Rear combination lamp LH
- 4. Rear bumper energy absorber

- 2. Rear combination lamp RH
- 5. Drafter duct

- 3. Rear bumper reinforcement
- 6. Rear bumper side brackets RH/LH

WIIA1155E

A  
B  
C  
D  
E  
F  
G  
H  
EI  
J  
K  
L  
M  
N  
O  
P

## REAR BUMPER

### < SERVICE INFORMATION >

---

- |  |                                       |   |
|--|---------------------------------------|---|
| 7. Side retainer RH/LH                 | 8. Sonar sensor harness (if equipped) | 9. Sonar sensor connector (if equipped) |
| 10. Rear bumper fascia<br>a. Clip C205 | 11. Sonar sensor (if equipped)        | 12. Rear bumper step pad                |

### REMOVAL

1. Remove rear combination lamps RH/LH. Refer to [LT-102](#).
2. Disconnect sonar sensor connectors, if equipped.
3. Remove C205 clips from rear bumper fascia.
4. Remove side retainers RH/LH.
  - Rotate clip 1/4 turn to release retainer.
5. Remove screws and rear bumper fascia.
6. Remove rear bumper side brackets RH/LH.
7. Remove rear bumper reinforcement.
  - Separate rear bumper energy absorber from rear bumper reinforcement.
8. Remove rear bumper step pad from rear bumper fascia.
9. Remove sonar sensors and retainers from rear bumper fascia, if equipped.
  - Separate sonar sensors and retainers.
10. Remove sonar sensor harness from rear bumper fascia.
11. Remove drafter duct from rear bumper area.

### INSTALLATION

Installation is in the reverse order of removal.



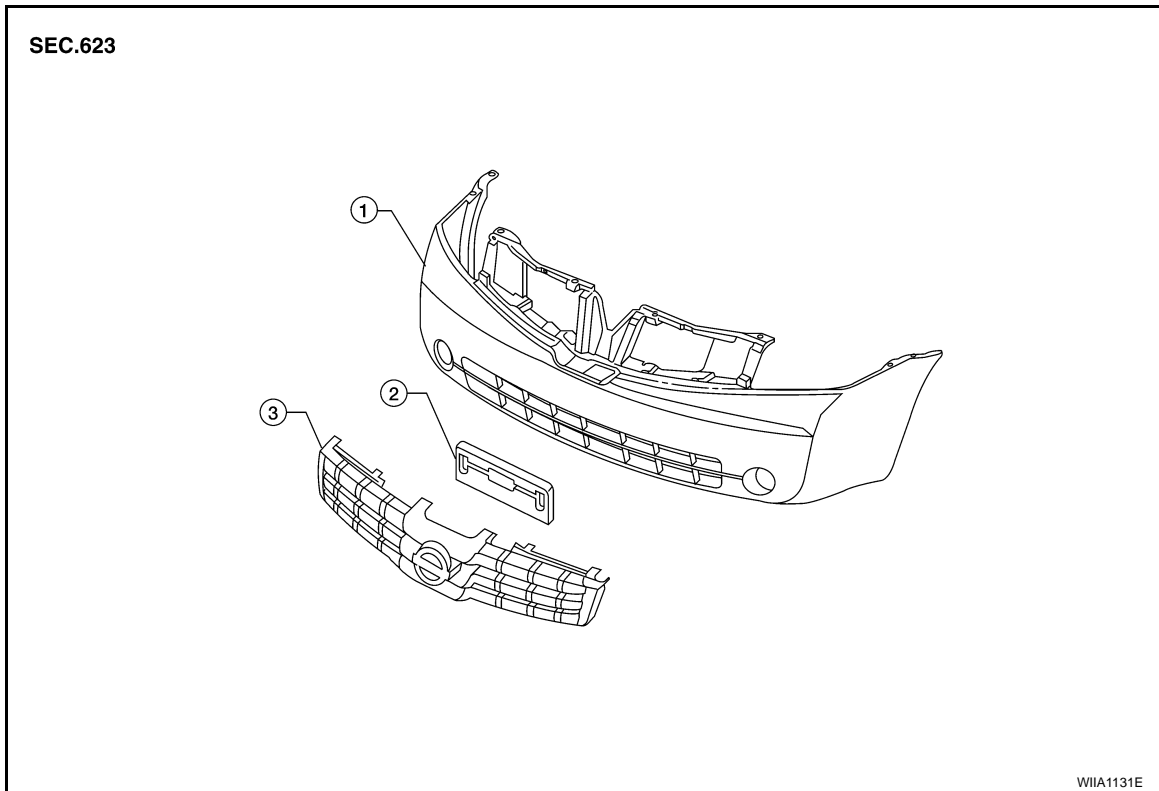
# FRONT GRILLE

< SERVICE INFORMATION >

## FRONT GRILLE

### Removal and Installation

INFOID:000000001718723



1. Front bumper fascia      2. Front license plate bracket (if equipped)      3. Front grille

#### REMOVAL

1. Release the tabs attaching front grille to front bumper fascia, then remove front grille.

**NOTE:**

If equipped, remove the screws and remove the front license plate bracket from front bumper fascia.

#### INSTALLATION

Installation is in the reverse order of removal.

A

B

C

D

E

F

G

H

EI

J

K

L

M

N

O

P

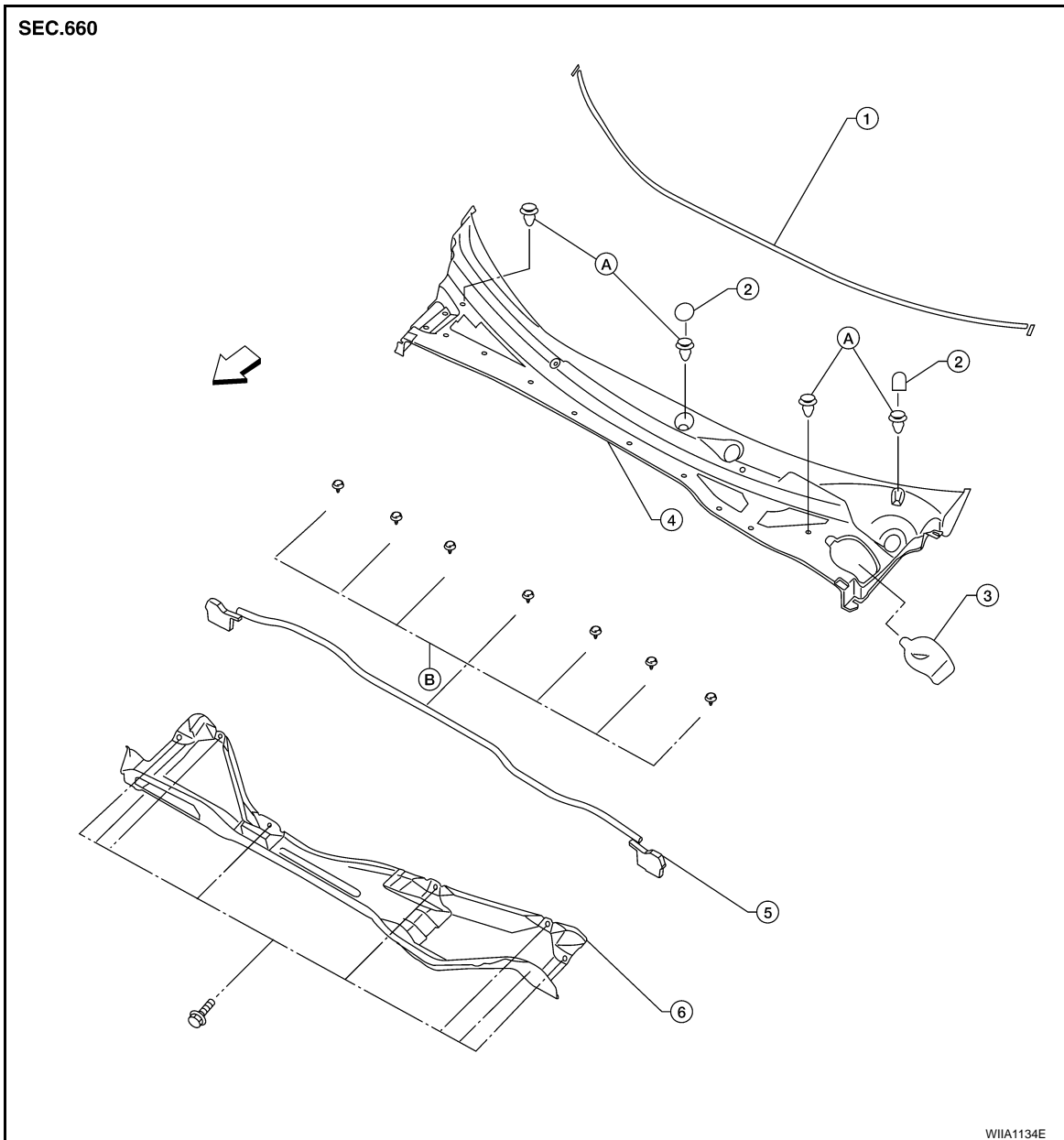
# COWL TOP

< SERVICE INFORMATION >

## COWL TOP

### Removal and Installation

INFOID:000000001718724



- |                          |                   |                             |
|--------------------------|-------------------|-----------------------------|
| 1. Cowl top weatherstrip | 2. Fastener cover | 3. Brake fluid access cover |
| 4. Cowl top cover        | 5. Cowl top seal  | 6. Cowl top extension       |
| A. Clip C103             | B. Clip CE103     | ← Vehicle front             |

### REMOVAL

1. Remove RH/LH wiper arms. Refer to [WW-18, "Front Wiper Arms"](#).
2. Remove cowl top cover.
  - a. Release fastener covers and clips.
  - b. Remove cowl top seal by releasing ends from tabs on cowl top cover, then releasing plastic clips.
  - c. Remove cowl top weatherstrip.
  - d. Remove windshield washer nozzles and hoses from cowl top cover. Refer to [WW-23, "Washer Tube Lay-out"](#)

# COWL TOP

## < SERVICE INFORMATION >

---

3. Remove cowl top extension.
  - a. Remove heater pump from cowl top extension. Refer to [ATC-143](#).
  - b. Disconnect clip attaching coolant control valve hose to cowl top extension.

## INSTALLATION

Installation is in the reverse order of removal.

A

B

C

D

E

F

G

H

EI

J

K

L

M

N

O

P

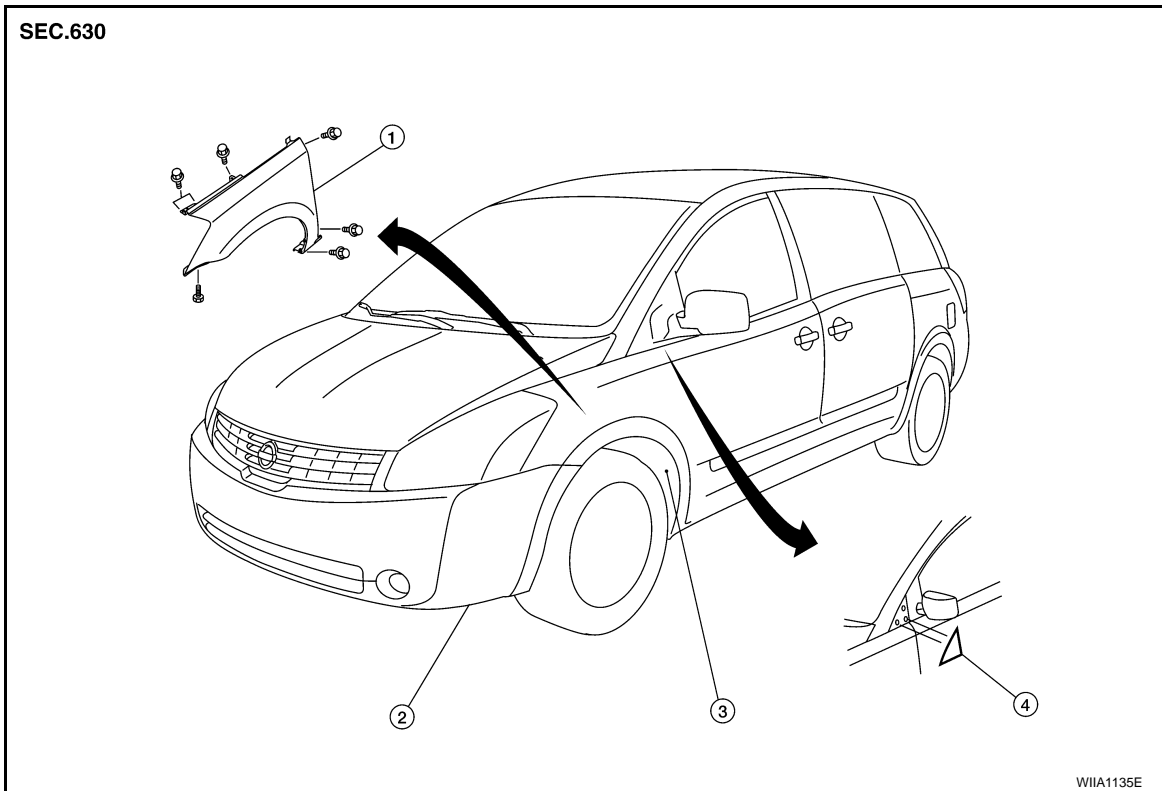
# FRONT FENDER

< SERVICE INFORMATION >

## FRONT FENDER

### Removal and Installation

INFOID:000000001718725



1. Front fender
2. Front bumper fascia
3. Fender protector
4. Outside corner cover

### REMOVAL

1. Remove front bumper fascia. Refer to [EI-13](#).
2. Remove fender protector. Refer to [EI-21](#).
3. Remove outside corner cover.
4. Remove bolts, then remove front fender.

### INSTALLATION

Installation is in the reverse order of removal.

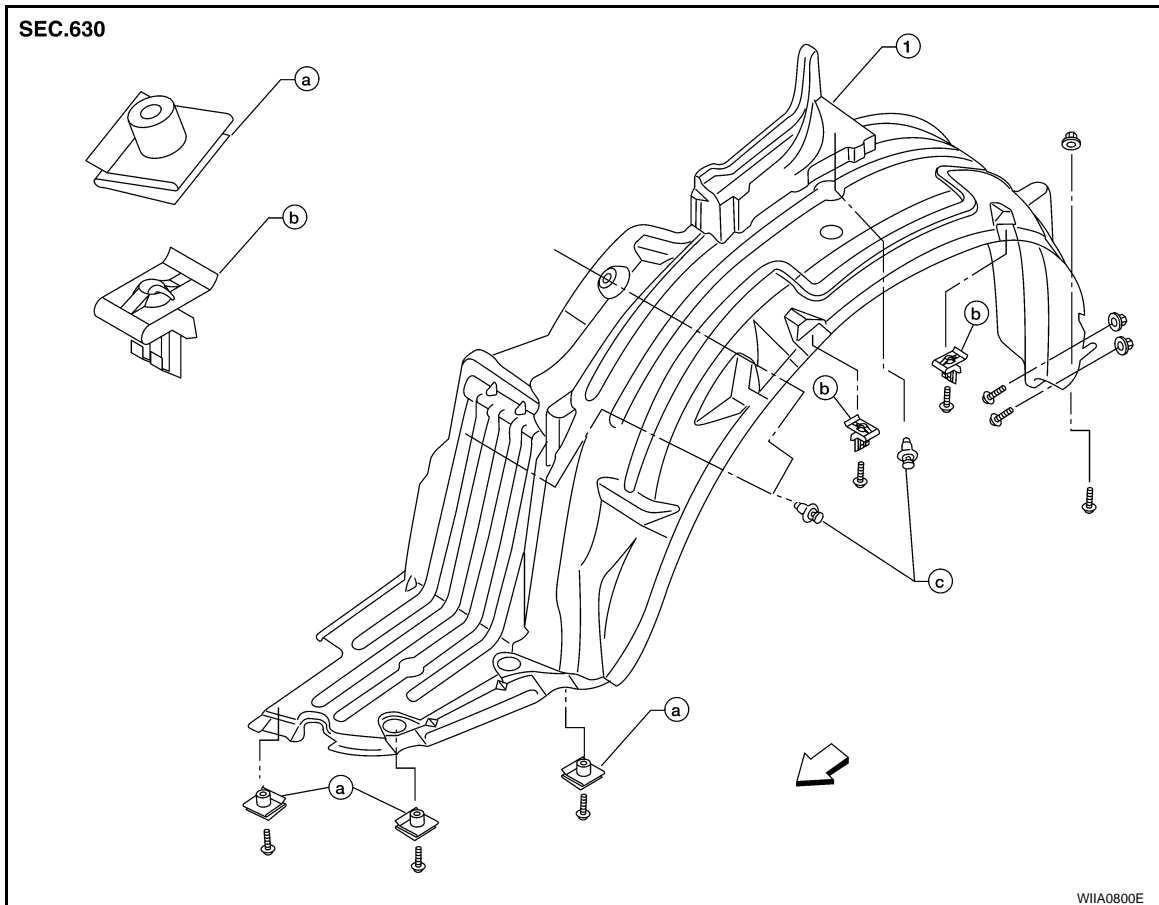
# FENDER PROTECTOR

< SERVICE INFORMATION >

## FENDER PROTECTOR

### Removal and Installation

INFOID:000000001718726



1. Front fender protector

a. Metal clip-forged nut type

b. Metal clip-stamped nut type

c. Pushpin clip C205

← Vehicle front

### REMOVAL

1. Remove splash guard. Refer to [EI-13](#).
2. Remove pushpin clips.
3. Remove screws.
4. Remove front fender protector.
5. Remove metal clips.

### INSTALLATION

Installation is in the reverse order of removal.

A  
B  
C  
D  
E  
F  
G  
H  
EI  
J  
K  
L  
M  
N  
O  
P

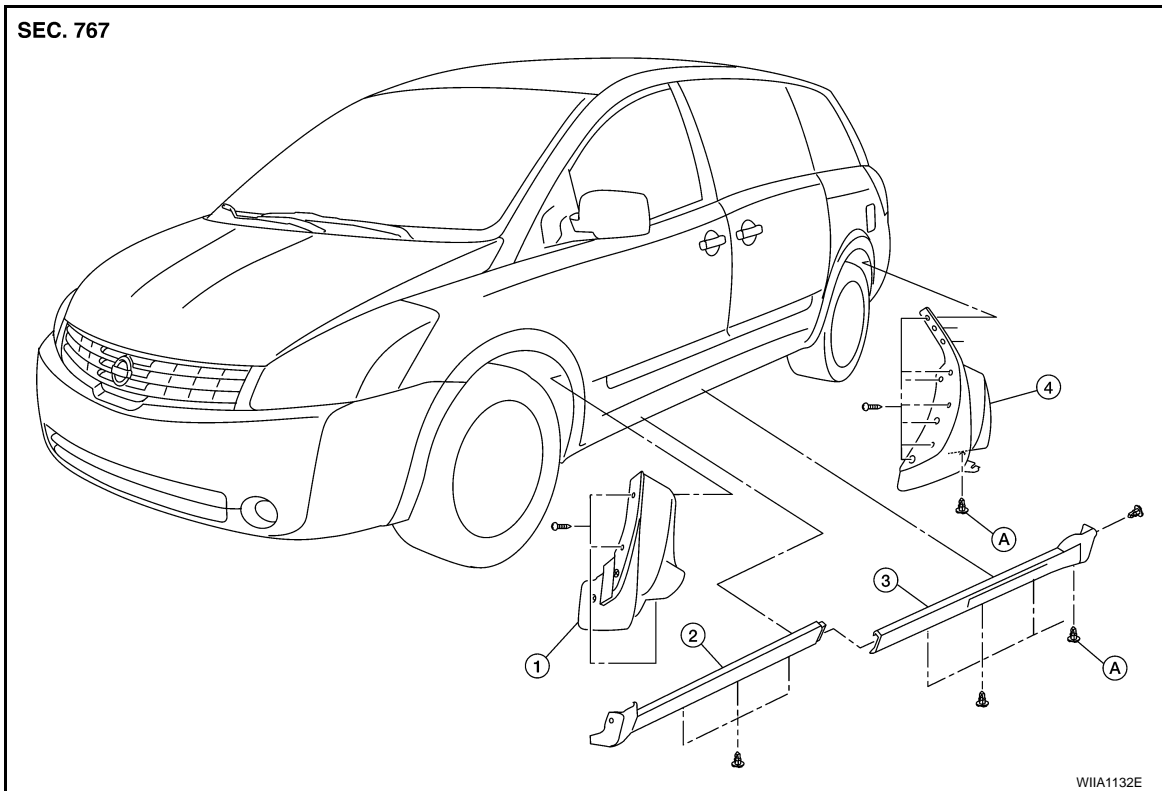
# MUDGUARD

< SERVICE INFORMATION >

## MUDGUARD

### Removal and Installation

INFOID:000000001718727



- |                   |                            |                           |
|-------------------|----------------------------|---------------------------|
| 1. Front mudguard | 2. Center mudguard (front) | 3. Center mudguard (rear) |
| 4. Rear mudguard  | A. Pushpin CS101           |                           |

#### REMOVAL

1. Remove screws and pushpins from mudguard.

**NOTE:**

For center mudguard, remove rear first.

2. Remove mudguard (front/rear).

#### INSTALLATION

Installation is in the reverse order of removal.

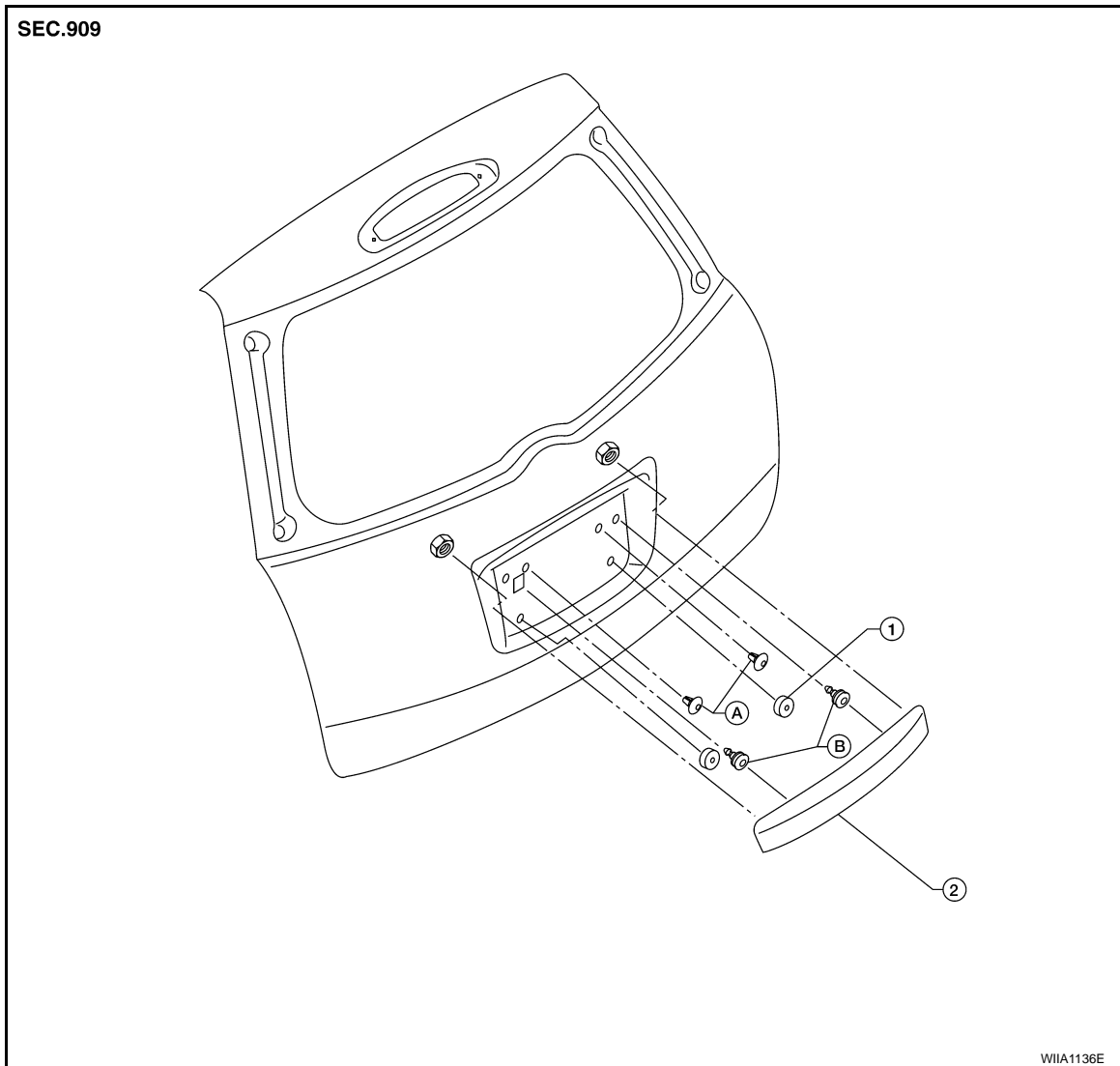
# LICENSE LAMP FINISHER

< SERVICE INFORMATION >

## LICENSE LAMP FINISHER

### Removal and Installation

INFOID:000000001718728



1. Rubber bumper

2. License lamp finisher

A. Clip CS101

B. Clip C101

### REMOVAL

1. Remove back door lower finisher. Refer to [EI-31](#).
2. Remove nuts from license lamp finisher.
3. Release clips, then remove license lamp finisher.
4. Remove rubber bumpers.

#### NOTE:

If replacing rubber bumpers, degrease surface where rubber bumpers will be mounted with isopropyl alcohol or equivalent.

### INSTALLATION

Installation is in the reverse order of removal.

A  
B  
C  
D  
E  
F  
G  
H  
EI  
J  
K  
L  
M  
N  
O  
P

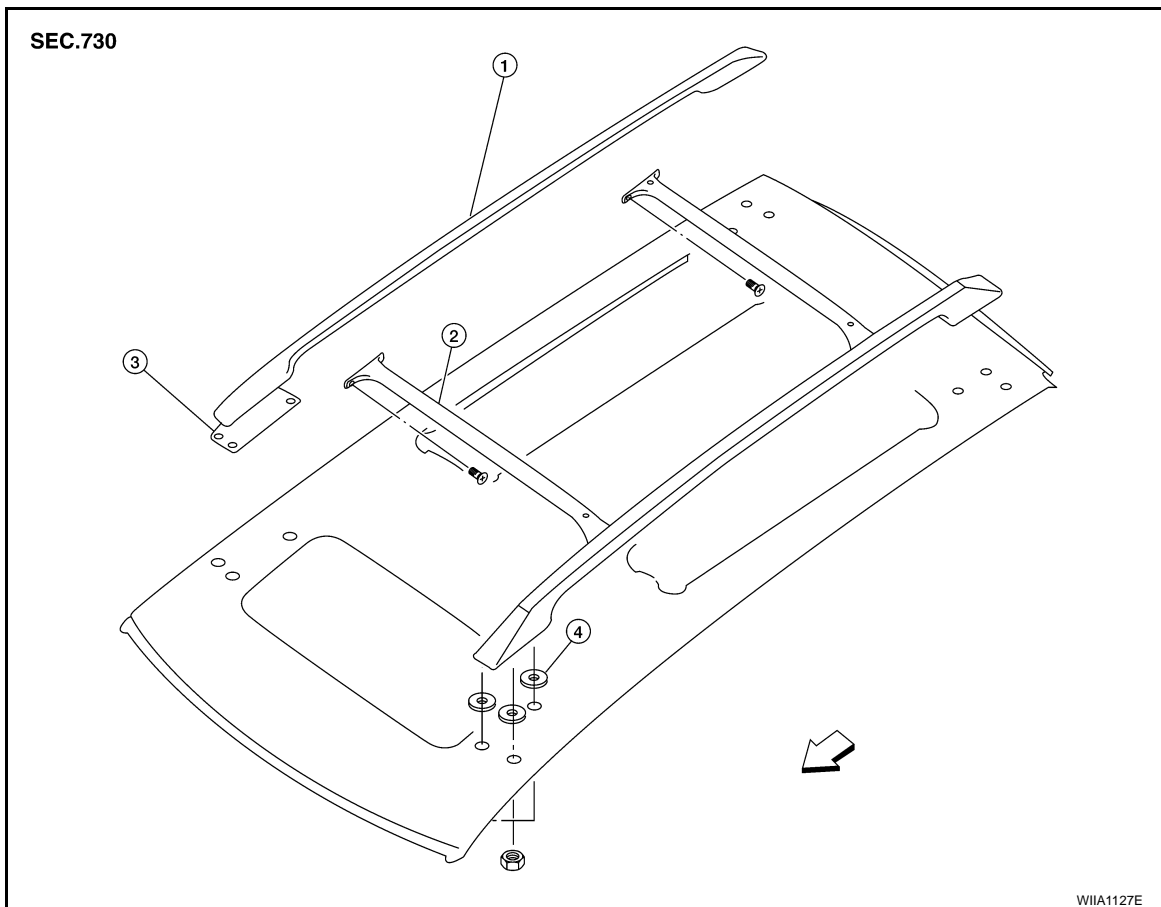
# ROOF RACK

< SERVICE INFORMATION >

## ROOF RACK

### Removal and Installation

INFOID:000000001718729



- |                                     |                                      |           |
|-------------------------------------|--------------------------------------|-----------|
| 1. Roof rack side bar (if equipped) | 2. Roof rack cross bar (if equipped) | 3. Gasket |
| 4. Foam washer                      | ← Vehicle front                      |           |

### REMOVAL

1. Remove headlining. Refer to [EI-38](#).
2. Remove screws from end brackets, then remove roof rack cross bars, if equipped.
3. Remove nuts from underside of roof panel, then remove roof rack side bar RH/LH (if equipped).
4. Remove foam washers and gaskets from roof surface.

### INSTALLATION

Installation is in the reverse order of removal.

- Make sure the arrows on the crossbar brackets are pointing forward, if equipped.
- During installation, always position the foam washers with the soft (non-plastic) side facing towards the roof sheet metal.



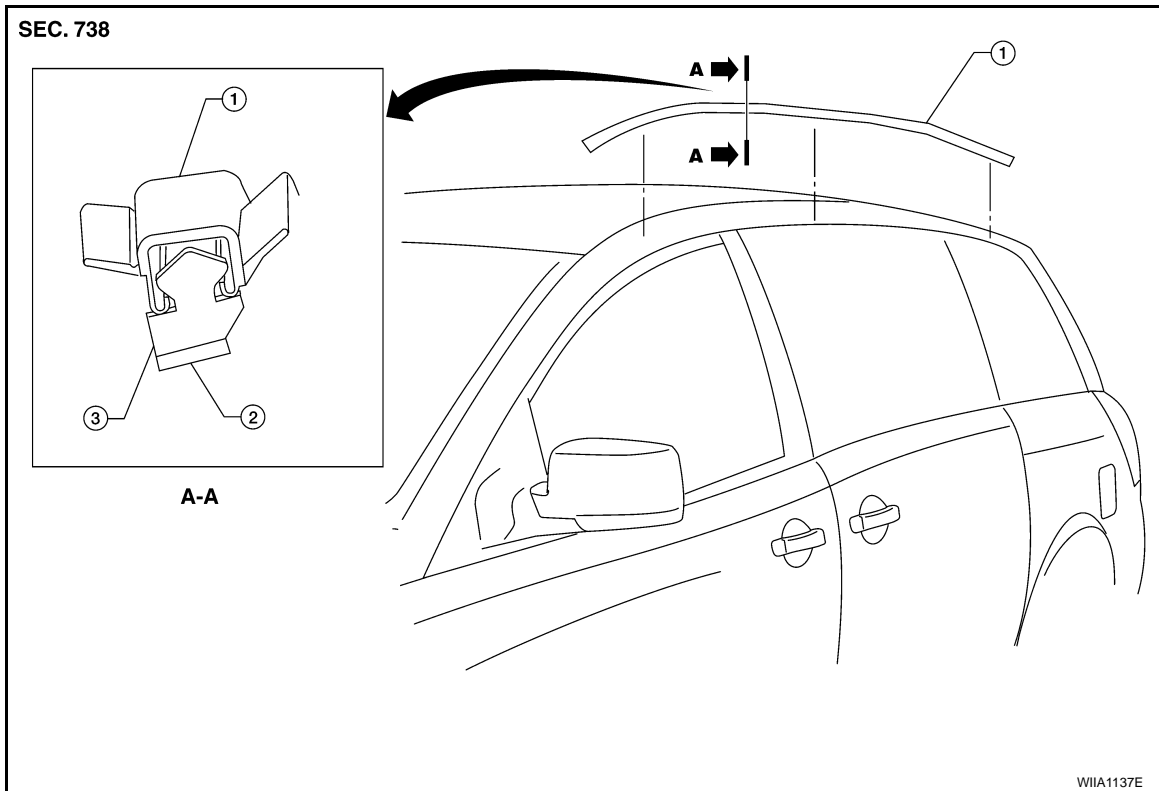
# ROOF SIDE MOLDING

< SERVICE INFORMATION >

## ROOF SIDE MOLDING

### Removal and Installation

INFOID:000000001718730



1. Roof side molding

2. Molding tape

3. Molding clip

#### REMOVAL

Lift roof side molding upward from front edge, then work rearward.

#### NOTE:

Molding clips are attached to vehicle with molding tape.

#### INSTALLATION

Installation is in the reverse order of removal.

- Degrease surface of roof where molding tape will be mounted as well as surface of molding clip where tape is attached with isopropyl alcohol or equivalent.
- Use new molding tape on molding clips for installation.

A

B

C

D

E

F

G

H

EI

J

K

L

M

N

O

P

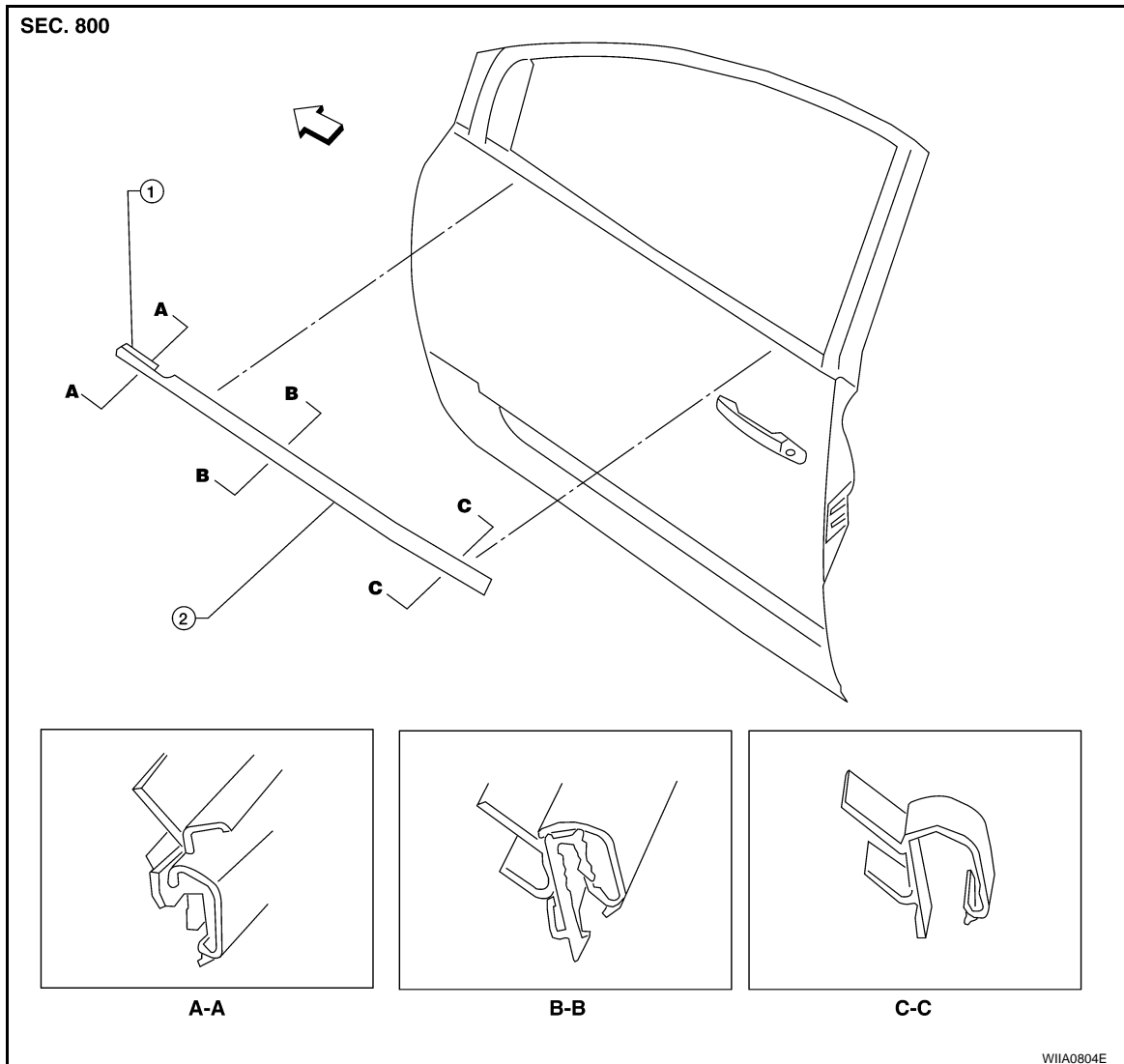
# DOOR OUTSIDE MOLDING

< SERVICE INFORMATION >

## DOOR OUTSIDE MOLDING

### Removal and Installation

INFOID:000000001718731



1. Double-faced adhesive tape

2. Door outside molding

← Front of vehicle

### REMOVAL

1. Open windows fully.
2. Remove door mirror. Refer to [GW-93, "Door Mirror Assembly"](#).
3. Lift molding beginning from rear edge, disconnecting clips from flange.

### NOTE:

Front end of molding has double-faced adhesive tape. Carefully separate double-faced adhesive tape from door sheet metal.

### INSTALLATION

Installation is in the reverse order of removal.

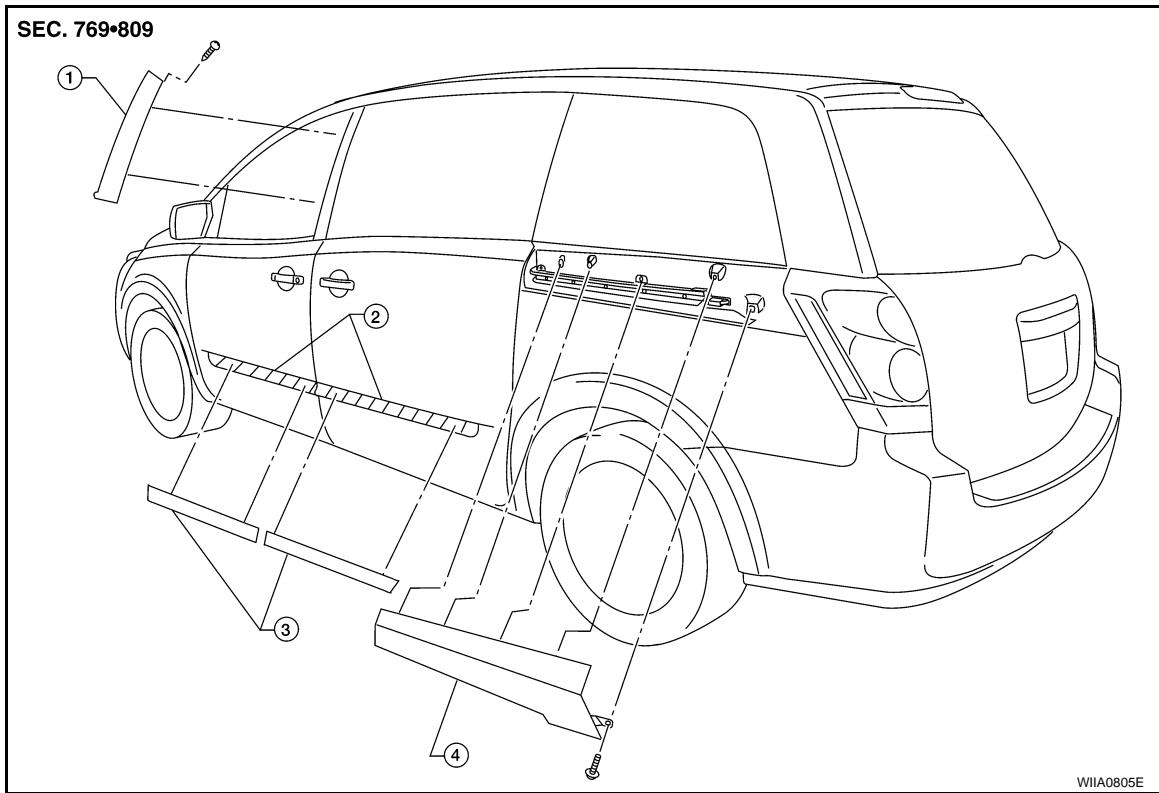
# SIDE GUARD MOLDING

< SERVICE INFORMATION >

## SIDE GUARD MOLDING

### Removal and Installation

INFOID:000000001718732



1. Door sash cover
2. Double-faced adhesive tape
3. Side guard molding
4. Sliding door rail cover

### SIDE GUARD MOLDING

#### Removal

**CAUTION:**

**Never apply tack-paper adhesive remover to body panel surface finished with lacquer-based paints.**

**NOTE:**

Original side guard molding is affixed to body panel with double-faced adhesive tape.

1. Heat side guard molding to between 30° and 40°C (86° to 104°F) with a heat gun.
2. Raise end of side guard molding and cut away tape to remove molding. Remove all traces of tape.

#### Installation

**CAUTION:**

**To secure contact, do not wash vehicle for 24 hours after installation.**

**NOTE:**

On vehicles coated with Hard Clear Coat, use double-faced 3M adhesive tape Product No. 4210 or equivalent, after priming with 3M primer Product No. N200 or C-100 or equivalent.

The repair parts are also affixed with double-faced adhesive tape.

To re-use existing molding, clean all traces of double sided tape from the molding and apply new double-faced tape to the molding.

1. Clean the panel surface with isopropyl alcohol or equivalent to degrease the surface.
2. Heat the panel and molding tape surface to 30° to 40°C (86° to 104°F).
3. Remove the backing sheet from the tape surface.
4. Press ends by hand and use a roller to apply 5 kg-f (11 lbs-f) to press molding to door surface.

### SLIDING DOOR RAIL COVER

## SIDE GUARD MOLDING

### < SERVICE INFORMATION >

---

#### Removal

1. Remove LH rear combination lamp. Refer to [LT-102](#).
2. Remove screw from slide door rail cover.
3. Open sliding door and release the front clip.
4. Close sliding door. Carefully pull off slide door rail cover releasing clips so as not to deform body sheet metal.

#### Installation

Installation is in the reverse order of removal.  
Always discard clips and replace with new clips.

### DOOR SASH COVER

#### Removal

1. Open door and remove screw from top of door sash cover.
2. Pull bottom of door sash cover rearward, then pull up off hooks.

#### Installation

Installation is in the reverse order of removal.

# DOOR FINISHER

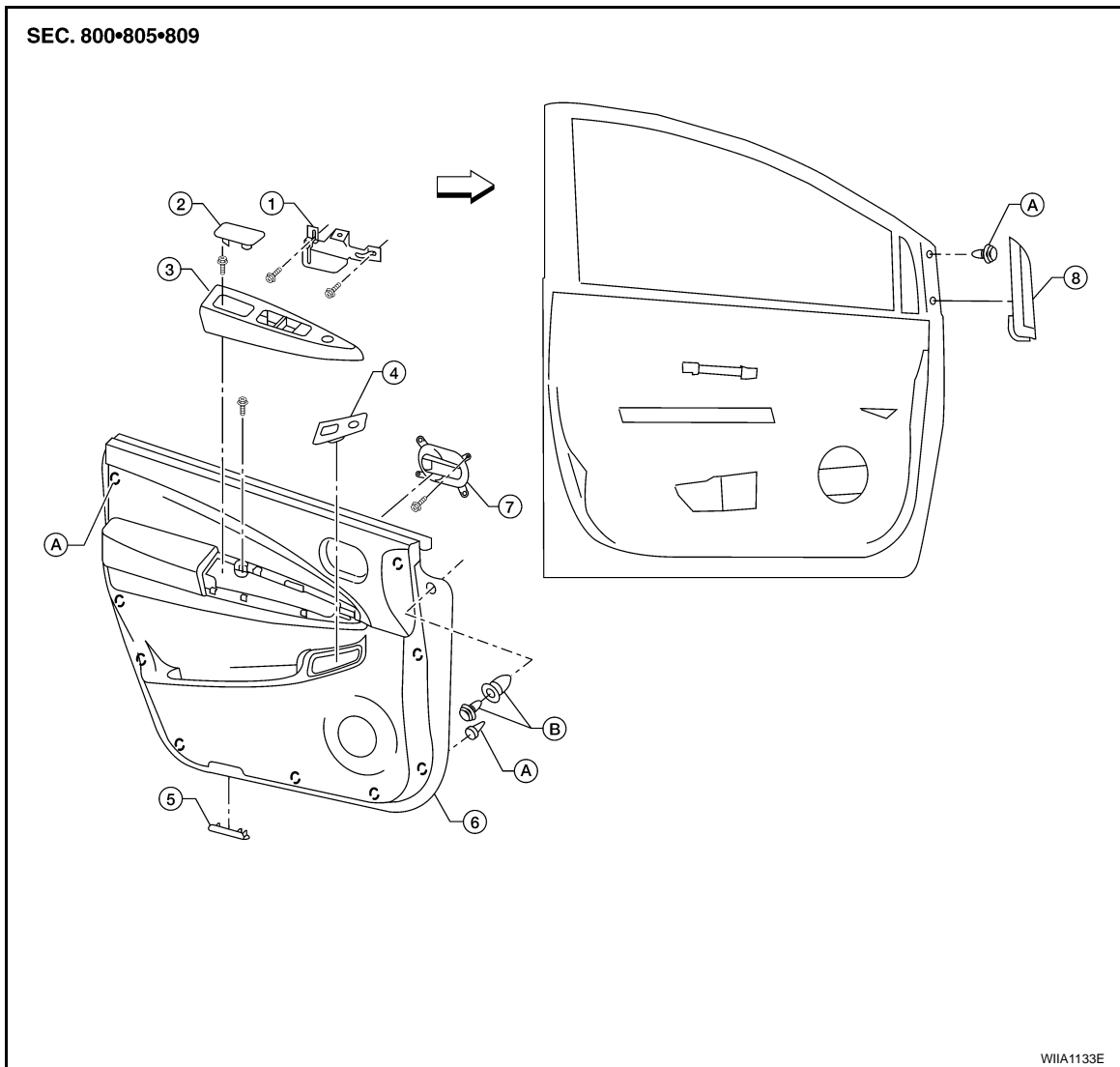
< SERVICE INFORMATION >

## DOOR FINISHER

### Removal and Installation

INFOID:000000001718733

### FRONT DOOR



- |  |                       |  |
|--|-----------------------|--|
| 1. Pull cup bracket                              | 2. Screw cover        | 3. Power window and door lock/unlock switch assembly |
| 4. Memory seat/fuel door release switch assembly | 5. Step light         | 6. Front door finisher                               |
| 7. Front door release handle                     | 8. Front corner cover | A. Clip C101   |
| B. Clip CS101                                    | ← Vehicle front       |  |

#### Removal

1. Release clip and remove front corner cover.
2. Remove screw cover then screw from cup of power window and door lock/unlock switch assembly.
3. Remove power window and door lock/unlock switch assembly.
  - Release clip and disconnect harness connectors.
4. Remove memory seat/fuel door release switch assembly.
  - Release clip and disconnect harness connectors.
5. Remove step light.
  - Release tab and disconnect harness connectors.

# DOOR FINISHER

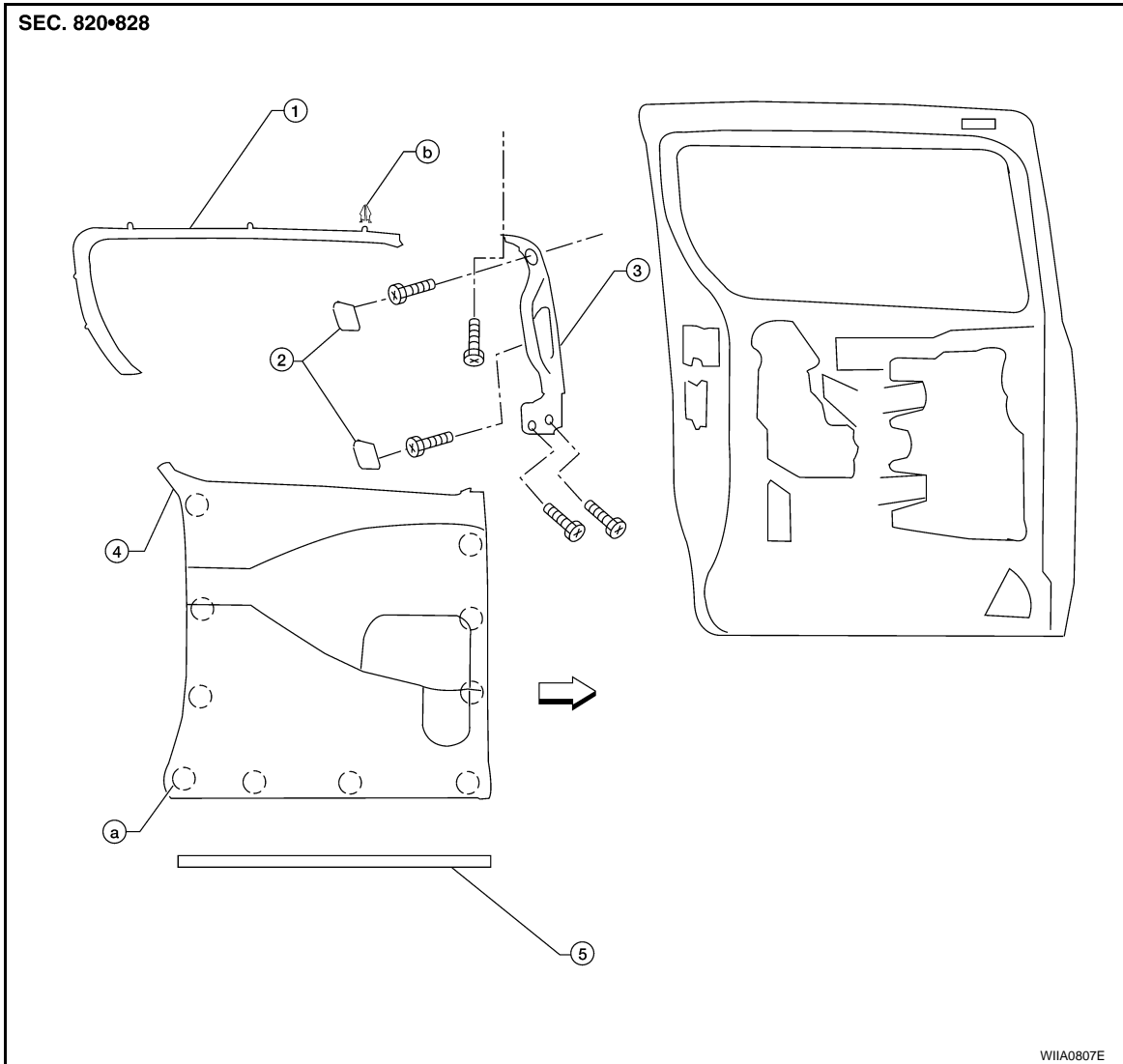
## < SERVICE INFORMATION >

- Remove door finisher and disconnect lock cable and handle cable from door handle assembly.
  - Release clips and remove door lock cable and door handle cable. Refer to [BL-168](#).
- Remove screws and front door release handle from front door finisher.

### Installation

Installation is in the reverse order of removal.

## SLIDING DOOR



- |                          |                |                                 |
|--------------------------|----------------|---------------------------------|
| 1. Sliding door garnish  | 2. Screw cover | 3. Sliding door handle assembly |
| 4. Sliding door finisher | 5. Lower seal  | ← Vehicle front                 |
| a. Clip C101             | b. Metal clip  |                                 |

### Removal

- Remove sliding door garnish.
- Remove sliding door finisher assembly.
- Remove sliding door handle screw covers and screws.
- Remove sliding door handle assembly.
  - Disconnect door lock cable and door handle cable. Refer to [BL-171](#).
- Remove lower seal.

### Installation

Installation is in the reverse order of removal.

# BODY SIDE TRIM

< SERVICE INFORMATION >

## BODY SIDE TRIM

### Removal and Installation

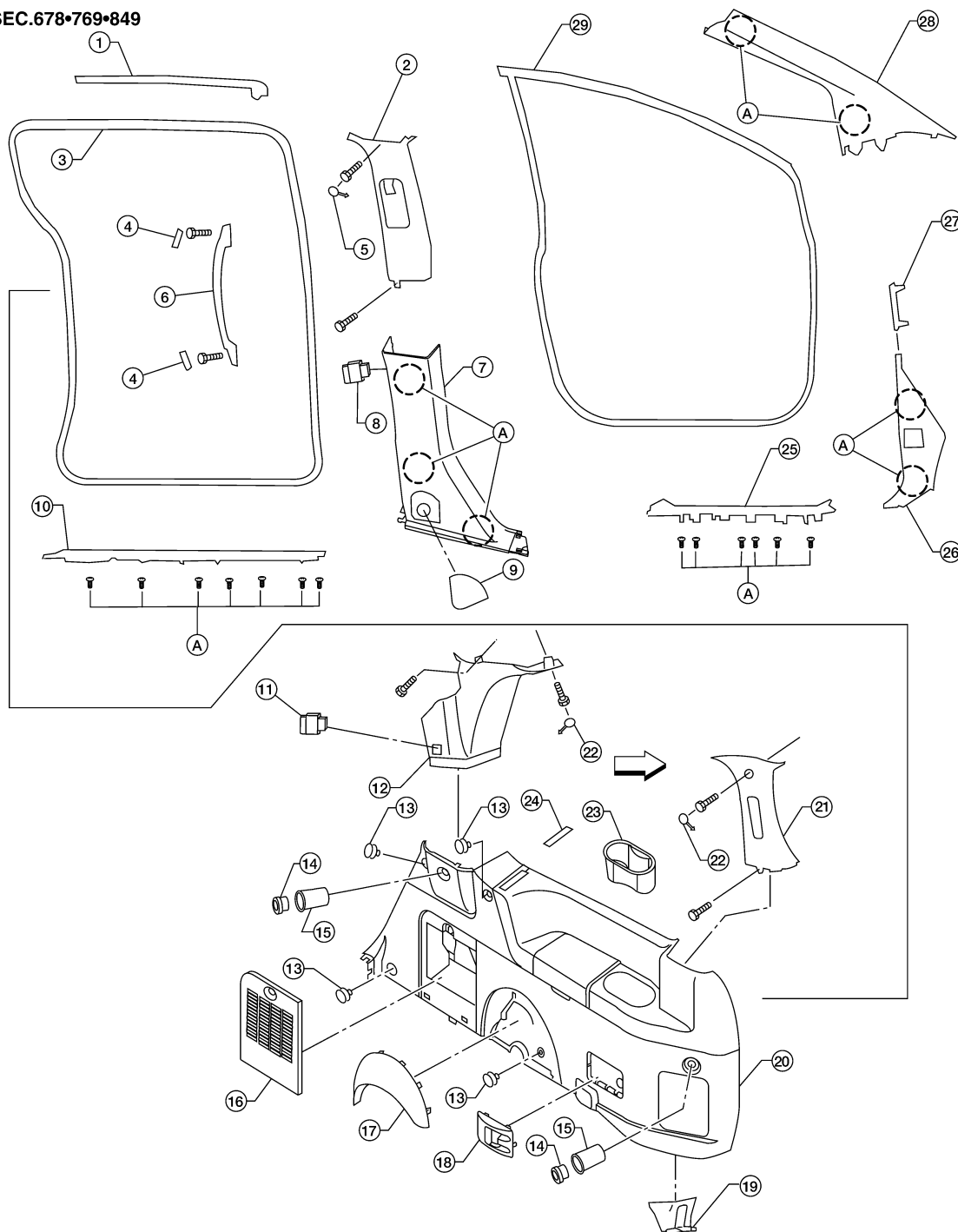
INFOID:000000001718734

#### LEFT SIDE

#### CAUTION:

- Wrap the tip of flat-bladed screwdriver with a cloth when removing metal clips from finishers.
- When removing or installing body side welts, do not allow butyl seal to come in contact with pillar finisher.

SEC.678•769•849



A  
B  
C  
D  
E  
F  
G  
H  
EI  
J  
K  
L  
M  
N  
O  
P

WIIA1128E

## BODY SIDE TRIM

### < SERVICE INFORMATION >

---

- |                                      |                                       |                                      |
|--------------------------------------|---------------------------------------|--------------------------------------|
| 1. Sliding door drip weatherstrip LH | 2. Center pillar upper finisher LH    | 3. Sliding door welt                 |
| 4. Assist grip end cap               | 5. Screw cover                        | 6. Center pillar assist grip         |
| 7. Center pillar lower finisher LH   | 8. Sliding door open/close switch LH  | 9. Center pillar lower escutcheon LH |
| 10. Rear kicking plate               | 11. Back door close switch            | 12. Rear pillar upper finisher LH    |
| 13. Cargo net hook                   | 14. Power point cap                   | 15. Power point                      |
| 16. Luggage side panel LH            | 17. 3rd row seat spring escutcheon RH | 18. Luggage side lower escutcheon LH |
| 19. Rear kick escutcheon LH          | 20. Rear lower finisher assembly LH   | 21. Rear center pillar finisher LH   |
| 22. Finisher cover                   | 23. Luggage side cup holder LH        | 24. Seat belt guide                  |
| 25. Front kicking plate              | 26. Lower dash side finisher LH       | 27. Upper dash side finisher LH      |
| 28. Front pillar finisher LH         | 29. Front door welt                   | A. Clip C101                         |
- ← Vehicle front

### RIGHT SIDE AND REAR

#### **CAUTION:**

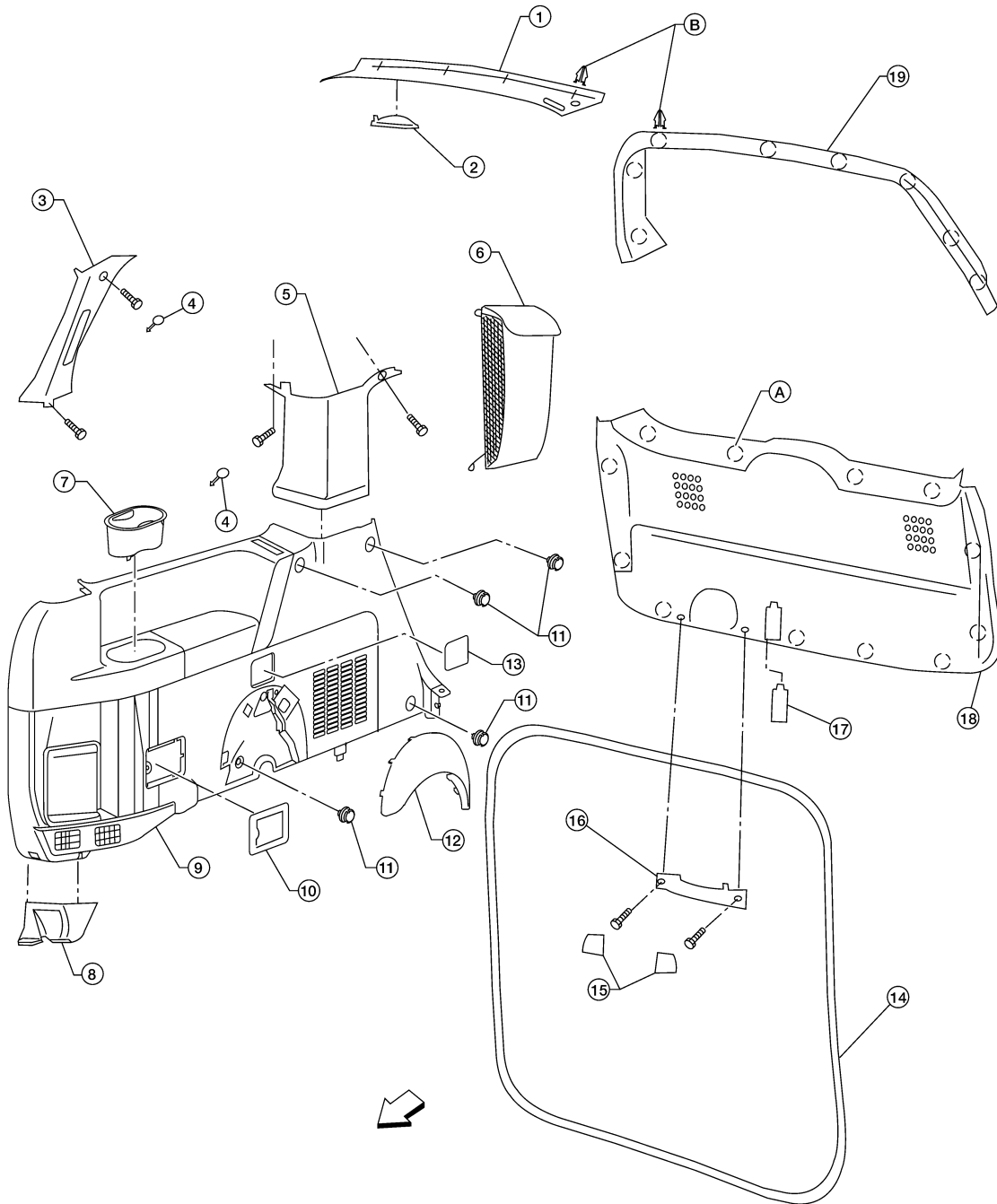
- **Wrap the tip of flat-bladed screwdriver with a cloth when removing metal clips from garnishes.**
- **When removing or installing body side welts, do not allow butyl seal to come in contact with pillar garnish.**



# BODY SIDE TRIM

< SERVICE INFORMATION >

SEC. 769•828•849



A  
B  
C  
D  
E  
F  
G  
H  
EI  
J  
K  
L  
M  
N  
O  
P

- |                                      |                                  |                                       |
|--------------------------------------|----------------------------------|---------------------------------------|
| 1. Roof finisher                     | 2. Luggage room lamp             | 3. Rear center pillar finisher RH     |
| 4. Screw cover                       | 5. Rear pillar upper finisher RH | 6. Cargo net                          |
| 7. Cup holder luggage side RH        | 8. Rear kick escutcheon RH       | 9. Rear lower finisher assembly RH    |
| 10. Luggage side lower escutcheon RH | 11. Cargo net hook               | 12. 3rd row seat spring escutcheon RH |
| 13. Gas leak check lid               | 14. Back door welt               | 15. Pull handle covers RH/LH          |
| 16. Back door pull handle            | 17. Release cover                | 18. Back door lower finisher          |
| 19. Back door upper finisher         | A. Clip C101                     | B. Metal clip                         |
- ← Vehicle front

WIIA1129E

## CENTER PILLAR LOWER FINISHER

## BODY SIDE TRIM

### < SERVICE INFORMATION >

#### Removal

1. Remove seat belt anchor. Refer to [SB-3. "Front Seat Belt"](#).
2. Remove front and rear kicking plates.
3. Remove center pillar lower finisher.
  - Disconnect harness to power opening door switch.

#### Installation

Installation is in the reverse order of removal.

### CENTER PILLAR UPPER FINISHER

#### Removal

1. Remove seat belt shoulder anchor and D ring. Refer to [SB-3. "Front Seat Belt"](#).
2. Remove front and rear kicking plates.
3. Remove center pillar lower finisher. Refer to "CENTER PILLAR LOWER FINISHER".
4. Remove cover and screws.
5. Remove center pillar upper finisher.

#### Installation

Installation is in the reverse order of removal.

### REAR CENTER PILLAR FINISHER

#### Removal

1. Remove rear kicking plate.
2. Remove rear kick escutcheon.
3. Remove cargo net hook using Tool.

**Tool number** : J-47126

4. Remove rear lower finisher assembly.
5. Remove seat belt D rings from rear center pillar finisher. Refer to [SB-4. "Second Row Seat Belt"](#).
6. Remove cover and screws from rear center pillar finisher.
7. Remove rear center pillar finisher.

#### Installation

Installation is in the reverse order of removal.

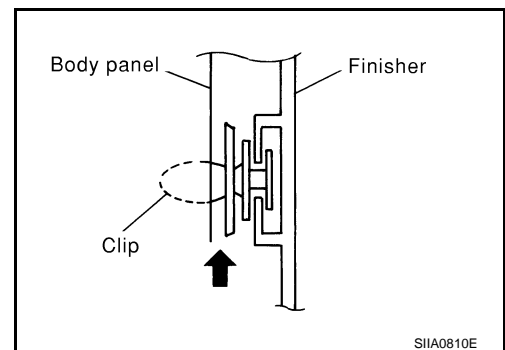
### DASH SIDE FINISHER (UPPER, LOWER)

#### Removal

1. Remove front kicking plate.
2. Remove upper dash side finisher.
3. Remove lower dash side finisher.

#### **CAUTION:**

**Insert screw driver rolled with cloth between panel on vehicle and clip (as indicated with arrow), and disconnect clip.**



#### Installation

Installation is in the reverse order of removal.

### FRONT PILLAR FINISHER

#### Removal

# BODY SIDE TRIM

## < SERVICE INFORMATION >

---

1. Remove defrost grille assembly. Refer to [ATC-158. "Removal and Installation"](#).
2. Remove upper dash side finisher. Refer to "DASH SIDE FINISHER (UPPER, LOWER)".
3. Release clips and remove front pillar finisher.

### Installation

Installation is in the reverse order of removal.

## REAR LOWER FINISHER ASSEMBLY

### Removal

1. Disconnect the negative battery cable.
2. Remove rear kicking plate.
3. Remove rear kick escutcheon.
4. Remove 3rd row seat spring escutcheon.
5. Remove cargo net hooks using Tool.

**Tool number** : J-47126

6. Release clips and remove rear lower finisher assembly.
  - For LH, disconnect harness connectors.

### Installation

Installation is in the reverse order of removal.

## REAR PILLAR UPPER FINISHER

### Removal

1. Remove rear kicking plate.
2. Remove rear kick escutcheon.
3. Remove cargo net hooks using Tool.

**Tool number** : J-47126

4. Remove seat belt D rings from rear pillar upper finisher. Refer to [SB-6. "Third Row Seat Belt"](#).
5. Remove rear lower finisher assembly. Refer to "REAR LOWER FINISHER ASSEMBLY".
6. Remove screw covers and screws, then remove rear pillar upper finisher.
  - For LH, disconnect harness connectors.

### Installation

Installation is in the reverse order of removal.

## BACK DOOR LOWER FINISHER

### Removal

1. Remove pull handle covers.
2. Remove screws and remove back door pull handle.
3. Release clips and remove back door lower finisher.

### Installation

Installation is in the reverse order of removal.

## BACK DOOR UPPER FINISHER

### Removal

1. Remove back door lower finisher. Refer to "BACK DOOR LOWER FINISHER".
2. Disconnect top of door open/close link. Refer to [BL-162](#).
3. Release clips and remove back door upper finisher.

### Installation

Installation is in the reverse order of removal.

A

B

C

D

E

F

G

H

EI

J

K

L

M

N

O

P

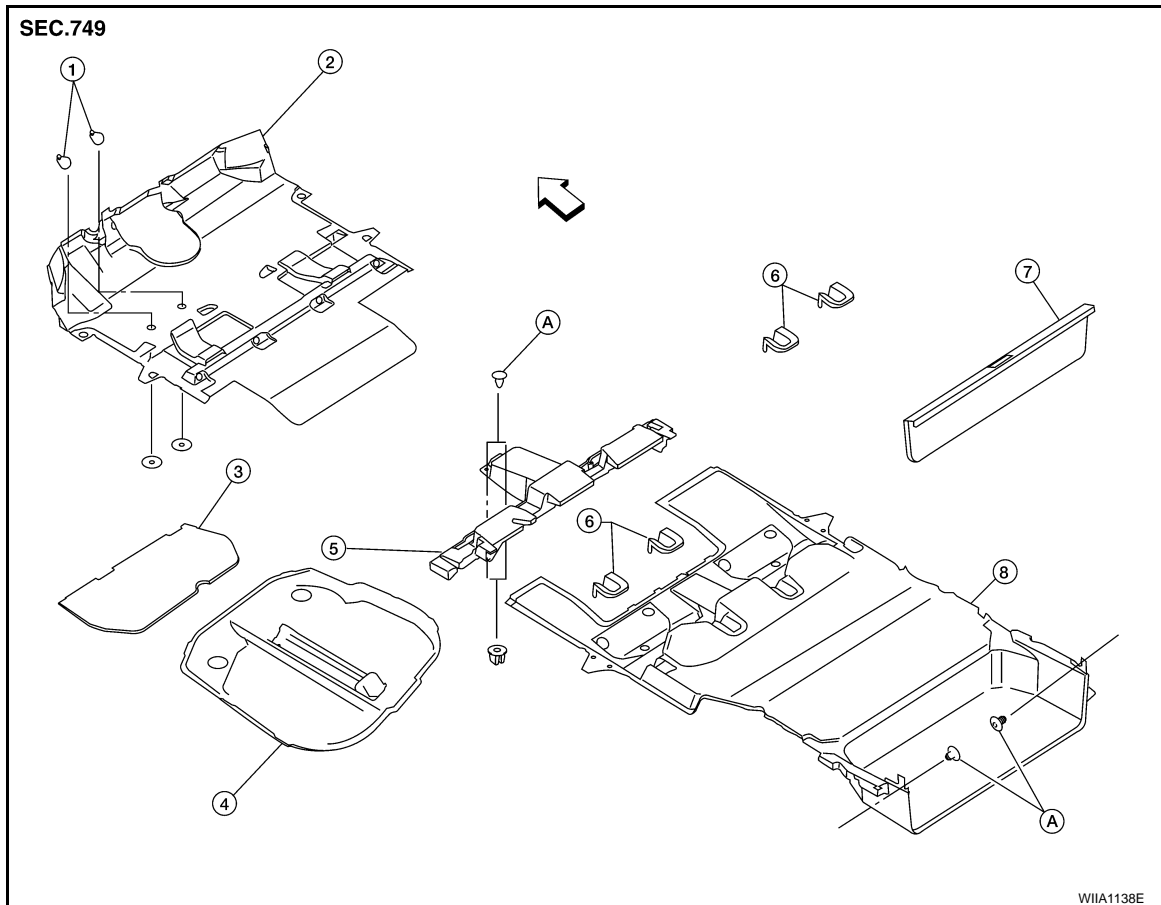
# FLOOR TRIM

< SERVICE INFORMATION >

## FLOOR TRIM

### Removal and Installation

INFOID:000000001718735



- |                           |                       |                             |
|---------------------------|-----------------------|-----------------------------|
| 1. Floor mat hooks        | 2. Front carpet       | 3. Cargo organizer cover    |
| 4. Cargo organizer        | 5. Front floor spacer | 6. Rear seat striker covers |
| 7. Tailgate kicking plate | 8. Rear carpet        | A. Clip C103                |
- ← Vehicle front

### REMOVAL

1. Remove rear lower finisher assembly. Refer to [EI-31](#).
2. Remove front seats. Refer to [SE-75](#).
3. Remove rear seats. Refer to [SE-88](#).
4. Remove 3rd row rear seat assembly. Refer to [SE-88](#).
5. Remove kicking plates. Refer to [EI-31](#).
6. Remove center console. Refer to [IP-10](#).
7. Remove lower seat belt anchors. Refer to [SB-3](#).
8. Remove rear seat striker covers.
9. Remove tailgate kicking plate.
10. Remove front carpet.
11. Remove floor mat hooks from front carpet.
12. Remove rear carpet.
13. Remove front floor spacer.
14. Remove cargo organizer cover.

### INSTALLATION

# FLOOR TRIM

< SERVICE INFORMATION >

---

Installation is in the reverse order of removal.

A

B

C

D

E

F

G

H

**EI**

J

K

L

M

N

O

P

# HEADLINING

< SERVICE INFORMATION >

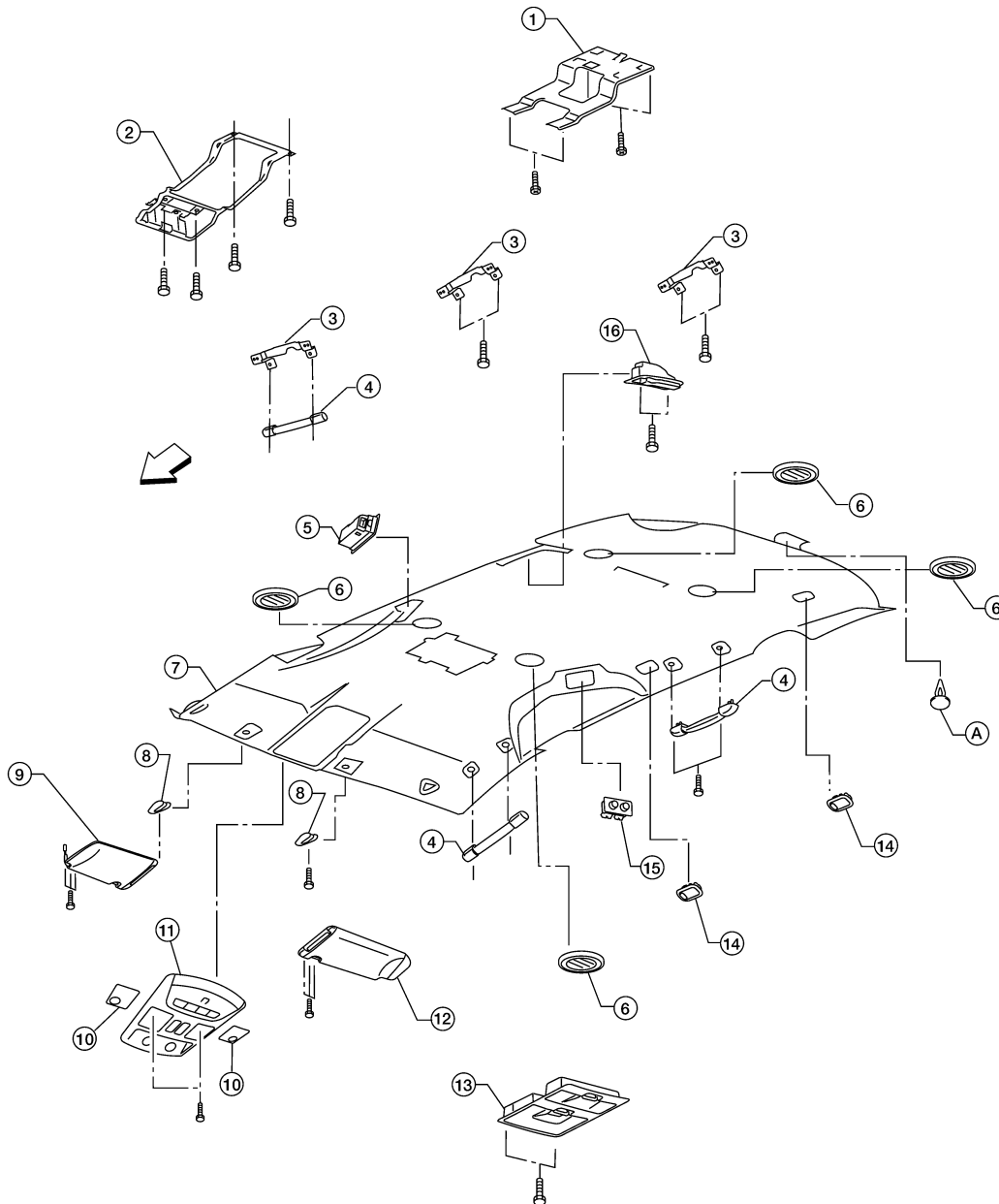
## HEADLINING

### Removal and Installation

INFOID:000000001718736

Without Sunroof

SEC. 738



WIIA1154E

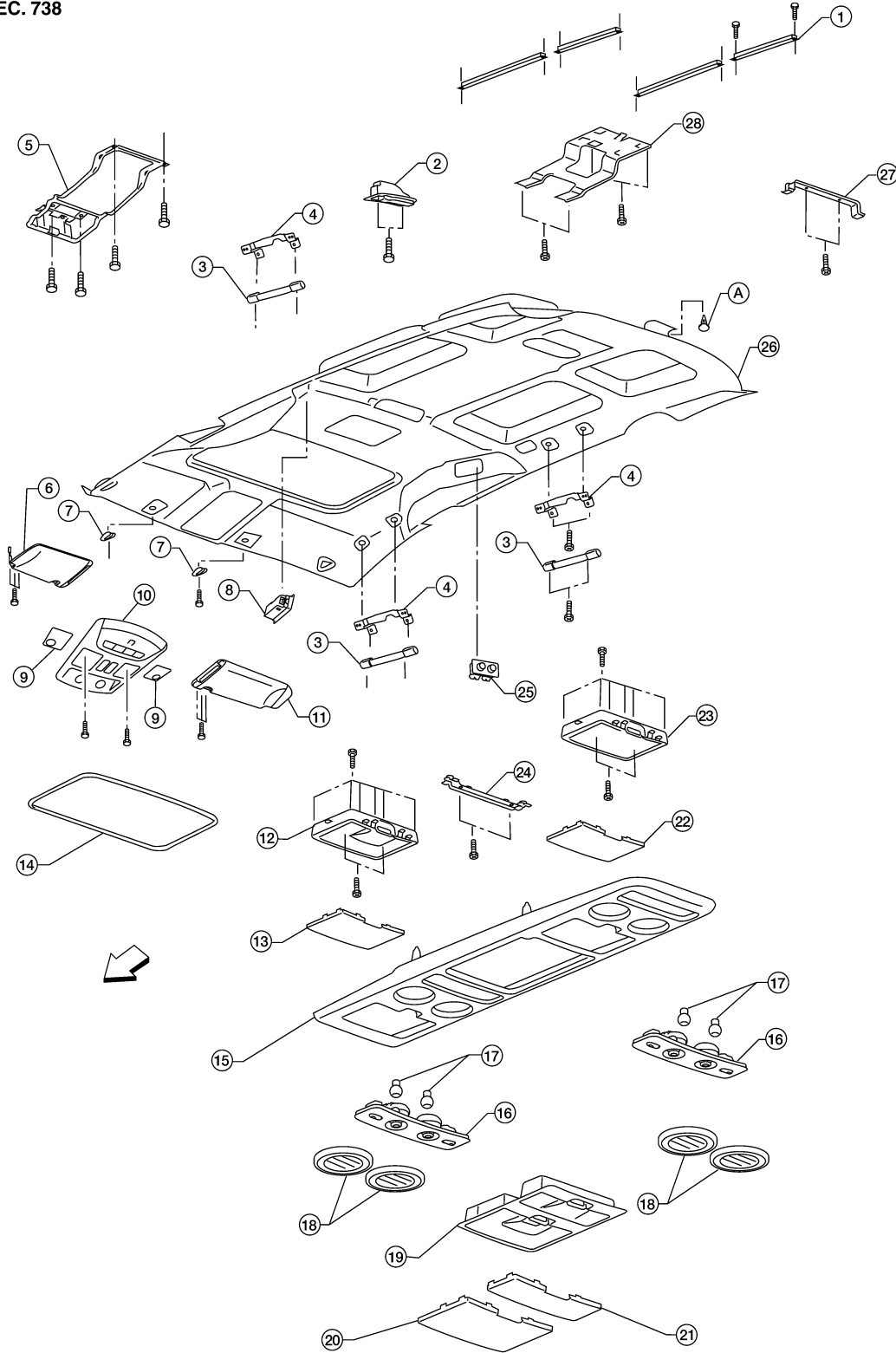
- |                                |                                 |                           |
|--------------------------------|---------------------------------|---------------------------|
| 1. Rear roof console bracket   | 2. Front roof console bracket   | 3. Assist grip bracket    |
| 4. Assist grip                 | 5. Rear audio control assembly  | 6. Air vent grille        |
| 7. Headlining                  | 8. Sun visor holder             | 9. Sun visor assembly RH  |
| 10. Lens                       | 11. Front roof console assembly | 12. Sun visor assembly LH |
| 13. Rear roof console assembly | 14. Interior lamp assembly      | 15. Rear air control rear |
| 16. Coat hanger                | A. Clip C103                    | ← Vehicle front           |

# HEADLINING

< SERVICE INFORMATION >

With Sunroof

SEC. 738



A  
B  
C  
D  
E  
F  
G  
H  
EI  
J  
K  
L  
M  
N  
O  
P

- |                                 |                                |                                 |
|---------------------------------|--------------------------------|---------------------------------|
| 1. Sunshade                     | 2. Coat hanger                 | 3. Assist grip                  |
| 4. Assist grip bracket          | 5. Front roof console bracket  | 6. Sun visor assembly RH        |
| 7. Sun visor holder             | 8. Rear audio control assembly | 9. Lens                         |
| 10. Front roof console assembly | 11. Sun visor assembly LH      | 12. Storage bin assembly, front |
| 13. Front storage bin door      | 14. Sunroof welt               | 15. Rear roof console assembly  |
| 16. Lamp assembly               | 17. Eyeball lamps              | 18. Air vent grille             |

WIIA1153E

# HEADLINING

## < SERVICE INFORMATION >

---

- |                                     |                               |                                     |
|-------------------------------------|-------------------------------|-------------------------------------|
| 19. Storage bin assembly, center    | 20. Center storage bin door   | 21. Center sunglass bin             |
| 22. Rear storage bin door           | 23. Rear storage bin assembly | 24. Rear roof console lower bracket |
| 25. Rear air control                | 26. Headlining                | 27. Rear roof console upper bracket |
| 28. Rear roof console front bracket | A. Clip C103                  | ← Vehicle front                     |

## REMOVAL

1. Disconnect both negative and positive battery terminals, then wait at least 3 minutes.
2. Remove sun visor assemblies.
  - Disconnect harness from each sun visor assembly.
3. Remove sun visor holders.
4. Remove front roof console assembly.
  - Disconnect harnesses from sunroof switch assembly.
5. Remove sunroof welt (if equipped).
6. Remove defrost grille assembly. Refer to [ATC-158, "Removal and Installation"](#).
7. Remove front pillar finishers. Refer to [EI-31](#).
8. Remove front kicking plates and door welts. Refer to [EI-31](#).
9. Remove center pillar assist grips. Refer to [EI-31](#).
10. Remove assist grips from headlining.
11. Remove rear kicking plates and door welts. Refer to [EI-31](#).
12. Remove center pillar seat belt anchors. Refer to [SB-3](#).
13. Remove center pillar lower finishers. Refer to [EI-31](#).
  - Disconnect harness from door open/close switch.
14. Remove center pillar lower then center pillar upper finishers. Refer to [EI-31](#).
15. Remove tailgate kicking plate. Refer to [EI-36](#).
16. Remove rear lower finisher assemblies RH/LH. Refer to [EI-31](#).
17. Remove roof finisher. refer to [EI-31](#).
18. Remove seat belt D rings from rear center pillar finishers and rear upper finishers. Refer to [SB-3](#).
19. Remove front pillar upper finishers. Refer to [EI-31](#).
20. Release clips from the rear, then remove rear roof console assembly (if equipped).
  - Disconnect harness from rear roof console assembly.
21. Remove lower rear console bracket.
22. Remove rear audio control assembly (if equipped).
  - Disconnect harness from audio control.
23. Remove rear air control assembly (if equipped).
  - Disconnect harnesses from rear air control assembly.
24. Disconnect rear washer hose from headlining.
25. Remove headlining.
26. Remove the front roof console bracket.
27. Remove rear roof console front and upper brackets.
28. Remove assist grip brackets from roof.

## INSTALLATION

Installation is in the reverse order of removal.