

# SECTION **GW**

## GLASSES, WINDOW SYSTEM & MIRRORS

### CONTENTS

<b>SERVICE INFORMATION</b> .....	3	
<b>PRECAUTIONS</b> .....	3	
Precaution for Supplemental Restraint System (SRS) "AIR BAG" and "SEAT BELT PRE-TENSIONER" .....	3	
Handling for Adhesive and Primer .....	3	
<b>PREPARATION</b> .....	4	
Special Service Tool .....	4	
Commercial Service Tool .....	4	
<b>SQUEAK AND RATTLE TROUBLE DIAGNOSES</b> .....	5	
Work Flow .....	5	
Generic Squeak and Rattle Troubleshooting .....	7	
Diagnostic Worksheet .....	9	
<b>WINDSHIELD GLASS</b> .....	11	
Removal and Installation .....	11	
<b>REAR WINDOW GLASS AND MOLDING</b> .....	13	
Removal and Installation .....	13	
<b>SKYVIEW ROOF</b> .....	15	
Removal and Installation .....	15	
<b>POWER WINDOW SYSTEM</b> .....	17	
Component Parts and Harness Connector Location .....	17	
System Description .....	17	
CAN Communication System Description .....	20	
Schematic (Without Rear Power Vent Windows) .....	21	
Wiring Diagram - WINDOW - (Without Rear Power Vent Windows) .....	22	
Main Power Window and Door Lock/Unlock Switch (Without Rear Power Vent Windows) Harness Connector Terminal Layout .....	24	
Terminal and Reference Value for Main Power Window and Door Lock/Unlock Switch (Without Rear Power Vent Windows) .....	25	
Power Window and Door Lock/Unlock Switch RH (Without Rear Power Vent Windows) Harness Connector Terminal Layout .....	26	
Terminal and Reference Value for Power Window and Door Lock/Unlock Switch RH (Without Rear Power Vent Windows) .....	26	
Terminal and Reference Value for BCM (Without Rear Power Vent Windows) .....	27	
Schematic (With Rear Power Vent Windows) .....	28	
Wiring Diagram - WINDOW - (With Rear Power Vent Windows) .....	29	
Main Power Window and Door Lock/Unlock Switch (With Rear Power Vent Windows) Harness Connector Terminal Layout .....	32	
Terminal and Reference Value for Main Power Window and Door Lock/Unlock Switch (With Rear Power Vent Windows) .....	33	
Power Window and Door Lock/Unlock Switch RH (With Rear Power Vent Windows) Harness Connector Terminal Layout .....	34	
Terminal and Reference Value for Power Window and Door Lock/Unlock Switch RH (With Rear Power Vent Windows) .....	34	
Terminal and Reference Value for BCM (With Rear Power Vent Windows) .....	35	
Work Flow .....	35	
CONSULT-III Function (BCM) .....	35	
Symptom Chart (Without Rear Power Vent Windows) .....	36	
Symptom Chart (With Rear Power Vent Windows) .....	37	
BCM Power Supply and Ground Circuit Inspection .....	38	
Main Power Window and Door Lock/Unlock Switch Power Supply Circuit Inspection (Without Rear Power Vent Windows) .....	38	
Main Power Window and Door Lock/Unlock Switch Power Supply Circuit Inspection (With Rear Power Vent Windows) .....	39	

A  
B  
C  
D  
E  
F  
G  
H  
GW  
J  
K  
L  
M  
N  
O  
P

Power Window and Door Lock/Unlock Switch RH	Removal and Installation (with Rear Power Vent Windows) .....	73
Power Supply and Ground Circuit Inspection .....		40
Front Power Window Motor LH Circuit Inspection..		42
Front Power Window Motor RH Circuit Inspection..		42
Limit Switch Circuit Inspection Front LH (Without Rear Power Vent Windows) .....		43
Limit Switch Circuit Inspection Front LH (With Rear Power Vent Windows) .....		45
Limit Switch Circuit Inspection Front RH .....		47
Encoder Circuit Inspection Front LH (Without Rear Power Vent Windows) .....		50
Encoder Circuit Inspection Front LH (With Rear Power Vent Windows) .....		52
Encoder Circuit Inspection Front RH .....		54
Door Switch Check .....		56
Front Door Lock Assembly LH (Key Cylinder Switch) Check (Without Rear Power Vent Windows) .....		57
Front Door Lock Assembly LH (Key Cylinder Switch) Check (With Rear Power Vent Windows)..		59
Power Window Serial Link Check Front LH and RH (Without Rear Power Vent Windows) .....		60
Power Window Serial Link Check Front LH and RH (With Rear Power Vent Windows) .....		62
Rear Power Vent Window Motor LH Circuit Inspection .....		64
Rear Power Vent Window Motor RH Circuit Inspection .....		65
<b>FRONT DOOR GLASS AND REGULATOR ....</b>		<b>67</b>
Removal and Installation .....		67
<b>SLIDE DOOR GLASS .....</b>		<b>70</b>
Removal and Installation .....		70
<b>SIDE WINDOW GLASS .....</b>		<b>72</b>
Removal and Installation (without Rear Power Vent Windows) .....		72
<b>INSIDE MIRROR .....</b>		<b>74</b>
Wiring Diagram - I/MIRR - .....		74
Removal and Installation .....		75
<b>REAR WINDOW DEFOGGER .....</b>		<b>76</b>
Component Parts and Harness Connector Location .....		76
System Description .....		76
CAN Communication System Description .....		77
Schematic .....		78
Wiring Diagram - DEF - .....		79
Terminal and Reference Value for BCM .....		81
Terminal and Reference Value for IPDM E/R .....		81
Work Flow .....		82
CONSULT-III Function (BCM) .....		82
Trouble Diagnosis Symptom Chart .....		82
BCM Power Supply and Ground Circuit Inspection .....		83
Rear Window Defogger Switch Circuit Inspection...		83
Rear Window Defogger Power Supply Circuit Inspection .....		84
Rear Window Defogger Circuit Inspection .....		85
Door Mirror Defogger Power Supply Circuit Inspection .....		86
Door Mirror LH Defogger Circuit Inspection .....		88
Door Mirror RH Defogger Circuit Inspection .....		89
Rear Window Defogger Signal Inspection .....		89
Filament Check .....		90
Filament Repair .....		91
<b>DOOR MIRROR .....</b>		<b>92</b>
Automatic Drive Positioner Reverse Tilt Mirror .....		92
Wiring Diagram - MIRROR - .....		92
Door Mirror Assembly .....		93
Door Mirror Glass .....		93

# PRECAUTIONS

< SERVICE INFORMATION >

## SERVICE INFORMATION

### PRECAUTIONS

#### Precaution for Supplemental Restraint System (SRS) "AIR BAG" and "SEAT BELT PRE-TENSIONER"

INFOID:000000004278498

The Supplemental Restraint System such as "AIR BAG" and "SEAT BELT PRE-TENSIONER", used along with a front seat belt, helps to reduce the risk or severity of injury to the driver and front passenger for certain types of collision. This system includes seat belt switch inputs and dual stage front air bag modules. The SRS system uses the seat belt switches to determine the front air bag deployment, and may only deploy one front air bag, depending on the severity of a collision and whether the front occupants are belted or unbelted. Information necessary to service the system safely is included in the SRS and SB section of this Service Manual.

#### **WARNING:**

- To avoid rendering the SRS inoperative, which could increase the risk of personal injury or death in the event of a collision which would result in air bag inflation, all maintenance must be performed by an authorized NISSAN/INFINITI dealer.
- Improper maintenance, including incorrect removal and installation of the SRS, can lead to personal injury caused by unintentional activation of the system. For removal of Spiral Cable and Air Bag Module, see the SRS section.
- Do not use electrical test equipment on any circuit related to the SRS unless instructed to in this Service Manual. SRS wiring harnesses can be identified by yellow and/or orange harnesses or harness connectors.

#### Handling for Adhesive and Primer

INFOID:000000004278499

- Do not use an adhesive which is past its usable date. Shelf life of this product is limited to six months after the date of manufacture. Carefully adhere to the expiration or manufacture date printed on the box.
- Keep primers and adhesive in a cool, dry place. Ideally, they should be stored in a refrigerator.
- Open the seal of the primer and adhesive just before application. Discard the remainder.
- Before application, be sure to shake the primer container to stir the contents. If any floating material is found, do not use it.
- If any primer or adhesive contacts the skin, wipe it off with gasoline or equivalent and wash the skin with soap.
- When using primer and adhesive, always observe the precautions in the instruction manual.

# PREPARATION

< SERVICE INFORMATION >

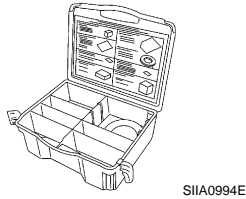
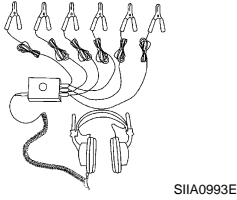
## PREPARATION

### Special Service Tool

INFOID:000000004278500

The actual shapes of Kent-Moore tools may differ from those of special service tools illustrated here.

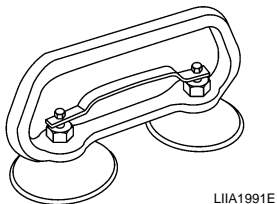
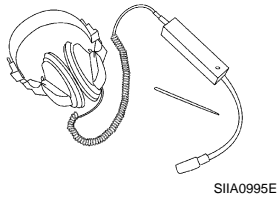
Tool number (Kent-Moore No.) Tool name	Description
— (J-39570) Chassis ear	Locating the noise
— (J-43980) NISSAN Squeak and Rattle Kit	Repairing the cause of noise



### Commercial Service Tool

INFOID:000000004278501

(Kent-Moore No.) Tool name	Description
(J-39565) Engine ear	Locating the noise
( — ) Suction lifter	Holding the door glass



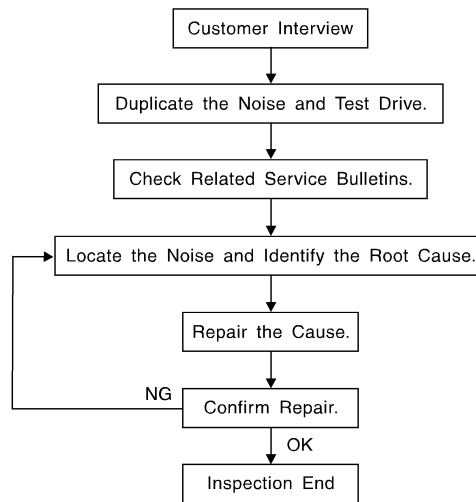
# SQUEAK AND RATTLE TROUBLE DIAGNOSES

< SERVICE INFORMATION >

## SQUEAK AND RATTLE TROUBLE DIAGNOSES

### Work Flow

INFOID:000000004278502



SBT842

### CUSTOMER INTERVIEW

Interview the customer if possible, to determine the conditions that exist when the noise occurs. Use the Diagnostic Worksheet during the interview to document the facts and conditions when the noise occurs and any customer's comments; refer to [GW-9, "Diagnostic Worksheet"](#). This information is necessary to duplicate the conditions that exist when the noise occurs.

- The customer may not be able to provide a detailed description or the location of the noise. Attempt to obtain all the facts and conditions that exist when the noise occurs (or does not occur).
- If there is more than one noise in the vehicle, be sure to diagnose and repair the noise that the customer is concerned about. This can be accomplished by test driving the vehicle with the customer.
- After identifying the type of noise, isolate the noise in terms of its characteristics. The noise characteristics are provided so the customer, service adviser and technician are all speaking the same language when defining the noise.
- Squeak —(Like tennis shoes on a clean floor)  
Squeak characteristics include the light contact/fast movement/brought on by road conditions/hard surfaces = higher pitch noise/softer surfaces = lower pitch noises/edge to surface = chirping.
- Creak—(Like walking on an old wooden floor)  
Creak characteristics include firm contact/slow movement/twisting with a rotational movement/pitch dependent on materials/often brought on by activity.
- Rattle—(Like shaking a baby rattle)  
Rattle characteristics include the fast repeated contact/vibration or similar movement/loose parts/missing clip or fastener/incorrect clearance.
- Knock —(Like a knock on a door)  
Knock characteristics include hollow sounding/sometimes repeating/often brought on by driver action.
- Tick—(Like a clock second hand)  
Tick characteristics include gentle contacting of light materials/loose components/can be caused by driver action or road conditions.
- Thump—(Heavy, muffled knock noise)  
Thump characteristics include softer knock/dead sound often brought on by activity.
- Buzz—(Like a bumble bee)  
Buzz characteristics include high frequency rattle/firm contact.
- Often the degree of acceptable noise level will vary depending upon the person. A noise that you may judge as acceptable may be very irritating to the customer.
- Weather conditions, especially humidity and temperature, may have a great effect on noise level.

### DUPLICATE THE NOISE AND TEST DRIVE

If possible, drive the vehicle with the customer until the noise is duplicated. Note any additional information on the Diagnostic Worksheet regarding the conditions or location of the noise. This information can be used to duplicate the same conditions when you confirm the repair.

# SQUEAK AND RATTLE TROUBLE DIAGNOSES

## < SERVICE INFORMATION >

If the noise can be duplicated easily during the test drive, to help identify the source of the noise, try to duplicate the noise with the vehicle stopped by doing one or all of the following:

- 1) Close a door.
  - 2) Tap or push/pull around the area where the noise appears to be coming from.
  - 3) Rev the engine.
  - 4) Use a floor jack to recreate vehicle "twist".
  - 5) At idle, apply engine load (electrical load, half-clutch on M/T model, drive position on A/T model).
  - 6) Raise the vehicle on a hoist and hit a tire with a rubber hammer.
- Drive the vehicle and attempt to duplicate the conditions the customer states exist when the noise occurs.
  - If it is difficult to duplicate the noise, drive the vehicle slowly on an undulating or rough road to stress the vehicle body.

## CHECK RELATED SERVICE BULLETINS

After verifying the customer concern or symptom, check ASIST for Technical Service Bulletins (TSBs) related to that concern or symptom.

If a TSB relates to the symptom, follow the procedure to repair the noise.

## LOCATE THE NOISE AND IDENTIFY THE ROOT CAUSE

1. Narrow down the noise to a general area. To help pinpoint the source of the noise, use a listening tool (Chassis Ear: J-39570, Engine Ear: J-39565 and mechanic's stethoscope).
2. Narrow down the noise to a more specific area and identify the cause of the noise by:
  - removing the components in the area that you suspect the noise is coming from.  
Do not use too much force when removing clips and fasteners, otherwise clips and fasteners can be broken or lost during the repair, resulting in the creation of new noise.
  - tapping or pushing/pulling the component that you suspect is causing the noise.  
Do not tap or push/pull the component with excessive force, otherwise the noise will be eliminated only temporarily.
  - feeling for a vibration with your hand by touching the component(s) that you suspect is (are) causing the noise.
  - placing a piece of paper between components that you suspect are causing the noise.
  - looking for loose components and contact marks.  
Refer to [GW-7. "Generic Squeak and Rattle Troubleshooting"](#).

## REPAIR THE CAUSE

- If the cause is a loose component, tighten the component securely.
- If the cause is insufficient clearance between components:
  - separate components by repositioning or loosening and retightening the component, if possible.
  - insulate components with a suitable insulator such as urethane pads, foam blocks, felt cloth tape or urethane tape. A NISSAN Squeak and Rattle Kit (J-43980) is available through your authorized NISSAN Parts Department.

### **CAUTION:**

**Do not use excessive force as many components are constructed of plastic and may be damaged.**

**Always check with the Parts Department for the latest parts information.**

The following materials are contained in the NISSAN Squeak and Rattle Kit (J-43980). Each item can be ordered separately as needed.

URETHANE PADS [1.5 mm (0.059 in) thick]

Insulates connectors, harness, etc.

76268-9E005: 100×135 mm (3.94×5.31 in)/76884-71L01: 60×85 mm (2.36×3.35 in)/76884-71L02: 15×25 mm (0.59×0.98 in)

INSULATOR (Foam blocks)

Insulates components from contact. Can be used to fill space behind a panel.

73982-9E000: 45 mm (1.77 in) thick, 50×50 mm (1.97×1.97 in)/73982-50Y00: 10 mm (0.39 in) thick, 50×50 mm (1.97×1.97 in)

INSULATOR (Light foam block)

80845-71L00: 30 mm (1.18 in) thick, 30×50 mm (1.18×1.97 in)

FELT CLOTH TAPE

Used to insulate where movement does not occur. Ideal for instrument panel applications.

68370-4B000: 15×25 mm (0.59×0.98 in) pad/68239-13E00: 5 mm (0.20 in) wide tape roll. The following materials not found in the kit can also be used to repair squeaks and rattles.

UHMW (TEFLON) TAPE

Insulates where slight movement is present. Ideal for instrument panel applications.

# SQUEAK AND RATTLE TROUBLE DIAGNOSES

## < SERVICE INFORMATION >

### SILICONE GREASE

Used instead of UHMW tape that will be visible or not fit.

Note: Will only last a few months.

### SILICONE SPRAY

Use when grease cannot be applied.

### DUCT TAPE

Use to eliminate movement.

### CONFIRM THE REPAIR

Confirm that the cause of a noise is repaired by test driving the vehicle. Operate the vehicle under the same conditions as when the noise originally occurred. Refer to the notes on the Diagnostic Worksheet.

## Generic Squeak and Rattle Troubleshooting

INFOID:000000004278503

Refer to Table of Contents for specific component removal and installation information.

### INSTRUMENT PANEL

Most incidents are caused by contact and movement between:

1. The cluster lid A and instrument panel
2. Acrylic lens and combination meter housing
3. Instrument panel to front pillar garnish
4. Instrument panel to windshield
5. Instrument panel mounting pins
6. Wiring harnesses behind the combination meter
7. A/C defroster duct and duct joint

These incidents can usually be located by tapping or moving the components to duplicate the noise or by pressing on the components while driving to stop the noise. Most of these incidents can be repaired by applying felt cloth tape or silicone spray (in hard to reach areas). Urethane pads can be used to insulate wiring harness.

#### **CAUTION:**

**Do not use silicone spray to isolate a squeak or rattle. If you saturate the area with silicone, you will not be able to recheck the repair.**

### CENTER CONSOLE

Components to pay attention to include:

1. Shifter assembly cover to finisher
2. A/C control unit and cluster lid C
3. Wiring harnesses behind audio and A/C control unit

The instrument panel repair and isolation procedures also apply to the center console.

### DOORS

Pay attention to the:

1. Finisher and inner panel making a slapping noise
2. Inside handle escutcheon to door finisher
3. Wiring harnesses tapping
4. Door striker out of alignment causing a popping noise on starts and stops

Tapping or moving the components or pressing on them while driving to duplicate the conditions can isolate many of these incidents. You can usually insulate the areas with felt cloth tape or insulator foam blocks from the NISSAN Squeak and Rattle Kit (J-43980) to repair the noise.

### TRUNK

Trunk noises are often caused by a loose jack or loose items put into the trunk by the owner.

In addition look for:

1. Trunk lid bumpers out of adjustment
2. Trunk lid striker out of adjustment
3. The trunk lid torsion bars knocking together
4. A loose license plate or bracket

A

B

C

D

E

F

G

H

GW

J

K

L

M

N

O

P

# SQUEAK AND RATTLE TROUBLE DIAGNOSES

## < SERVICE INFORMATION >

---

Most of these incidents can be repaired by adjusting, securing or insulating the item(s) or component(s) causing the noise.

### SUNROOF/HEADLINER

Noises in the sunroof/headliner area can often be traced to one of the following:

1. Sunroof lid, rail, linkage or seals making a rattle or light knocking noise
2. Sun visor shaft shaking in the holder
3. Front or rear windshield touching headliner and squeaking

Again, pressing on the components to stop the noise while duplicating the conditions can isolate most of these incidents. Repairs usually consist of insulating with felt cloth tape.

### OVERHEAD CONSOLE (FRONT AND REAR)

Overhead console noises are often caused by the console panel clips not being engaged correctly. Most of these incidents are repaired by pushing up on the console at the clip locations until the clips engage.

In addition look for:

1. Loose harness or harness connectors.
2. Front console map/reading lamp lense loose.
3. Loose screws at console attachment points.

### SEATS

When isolating seat noise it's important to note the position the seat is in and the load placed on the seat when the noise is present. These conditions should be duplicated when verifying and isolating the cause of the noise.

Cause of seat noise include:

1. Headrest rods and holder
2. A squeak between the seat pad cushion and frame
3. The rear seatback lock and bracket

These noises can be isolated by moving or pressing on the suspected components while duplicating the conditions under which the noise occurs. Most of these incidents can be repaired by repositioning the component or applying urethane tape to the contact area.

### UNDERHOOD

Some interior noise may be caused by components under the hood or on the engine wall. The noise is then transmitted into the passenger compartment.

Causes of transmitted underhood noise include:

1. Any component mounted to the engine wall
2. Components that pass through the engine wall
3. Engine wall mounts and connectors
4. Loose radiator mounting pins
5. Hood bumpers out of adjustment
6. Hood striker out of adjustment

These noises can be difficult to isolate since they cannot be reached from the interior of the vehicle. The best method is to secure, move or insulate one component at a time and test drive the vehicle. Also, engine RPM or load can be changed to isolate the noise. Repairs can usually be made by moving, adjusting, securing, or insulating the component causing the noise.



# SQUEAK AND RATTLE TROUBLE DIAGNOSES

< SERVICE INFORMATION >

## Diagnostic Worksheet

INFOID:000000004278504



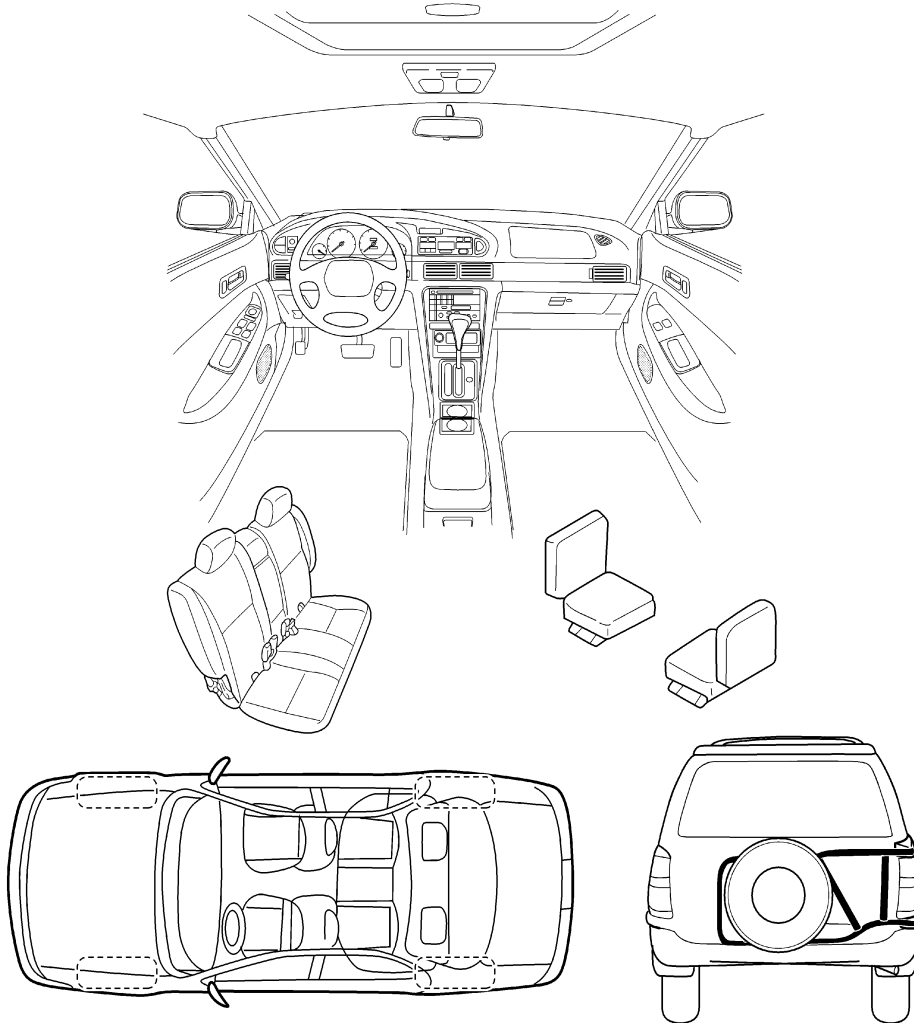
### SQUEAK & RATTLE DIAGNOSTIC WORKSHEET

Dear Nissan Customer:

We are concerned about your satisfaction with your Nissan vehicle. Repairing a squeak or rattle sometimes can be very difficult. To help us fix your Nissan right the first time, please take a moment to note the area of the vehicle where the squeak or rattle occurs and under what conditions. You may be asked to take a test drive with a service advisor or technician to ensure we confirm the noise you are hearing.

#### I. WHERE DOES THE NOISE COME FROM? (circle the area of the vehicle)

The illustrations are for reference only, and may not reflect the actual configuration of your vehicle.



Continue to the back of the worksheet and briefly describe the location of the noise or rattle. In addition, please indicate the conditions which are present when the noise occurs.

LIWA0276E

A  
B  
C  
D  
E  
F  
G  
H  
GW  
J  
K  
L  
M  
N  
O  
P

# SQUEAK AND RATTLE TROUBLE DIAGNOSES

< SERVICE INFORMATION >

## SQUEAK & RATTLE DIAGNOSTIC WORKSHEET - page 2

Briefly describe the location where the noise occurs:

---

---

### II. WHEN DOES IT OCCUR? (please check the boxes that apply)

- |   |  |
|---|--|
| <input type="checkbox"/> Anytime                      | <input type="checkbox"/> After sitting out in the rain |
| <input type="checkbox"/> 1st time in the morning      | <input type="checkbox"/> When it is raining or wet     |
| <input type="checkbox"/> Only when it is cold outside | <input type="checkbox"/> Dry or dusty conditions       |
| <input type="checkbox"/> Only when it is hot outside  | <input type="checkbox"/> Other:                        |

### III. WHEN DRIVING:

- Through driveways
- Over rough roads
- Over speed bumps
- Only about \_\_\_\_ mph
- On acceleration
- Coming to a stop
- On turns: left, right or either (circle)
- With passengers or cargo
- Other: \_\_\_\_\_
- After driving \_\_\_\_ miles or \_\_\_\_ minutes

### IV. WHAT TYPE OF NOISE

- Squeak (like tennis shoes on a clean floor)
- Creak (like walking on an old wooden floor)
- Rattle (like shaking a baby rattle)
- Knock (like a knock at the door)
- Tick (like a clock second hand)
- Thump (heavy muffled knock noise)
- Buzz (like a bumble bee)

### TO BE COMPLETED BY DEALERSHIP PERSONNEL

#### Test Drive Notes:

---

---

---

	YES	NO	Initials of person performing
Vehicle test driven with customer	<input type="checkbox"/>	<input type="checkbox"/>	_____
- Noise verified on test drive	<input type="checkbox"/>	<input type="checkbox"/>	_____
- Noise source located and repaired	<input type="checkbox"/>	<input type="checkbox"/>	_____
- Follow up test drive performed to confirm repair	<input type="checkbox"/>	<input type="checkbox"/>	_____

VIN: \_\_\_\_\_ Customer Name \_\_\_\_\_  
W.O.# \_\_\_\_\_ Date: \_\_\_\_\_

This form must be attached to Work Order

LAI0071E

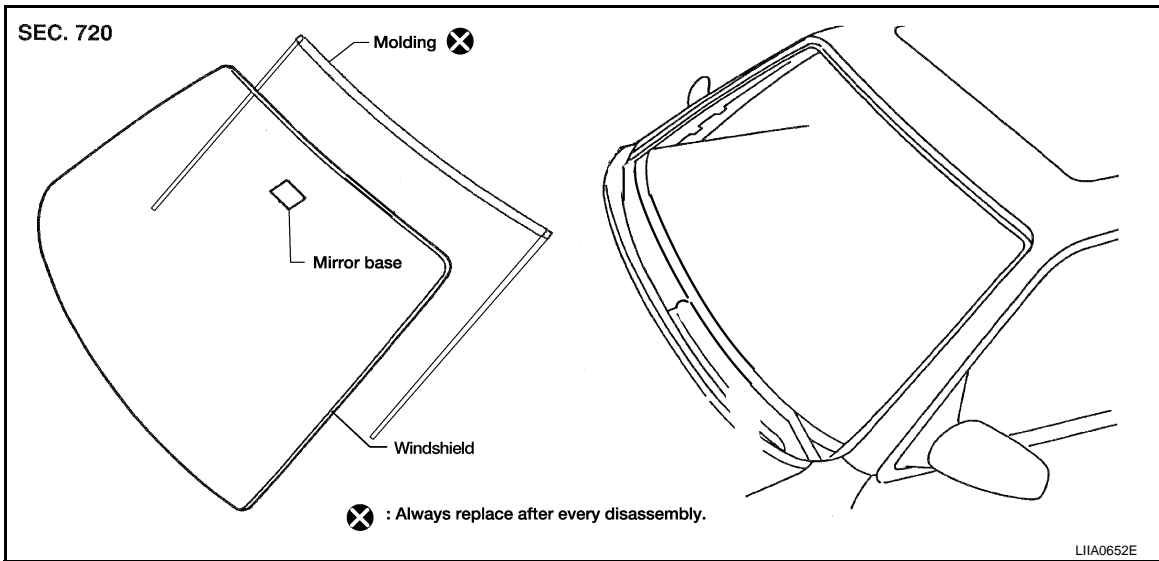
# WINDSHIELD GLASS

< SERVICE INFORMATION >

## WINDSHIELD GLASS

### Removal and Installation

INFOID:000000004278505



### REMOVAL

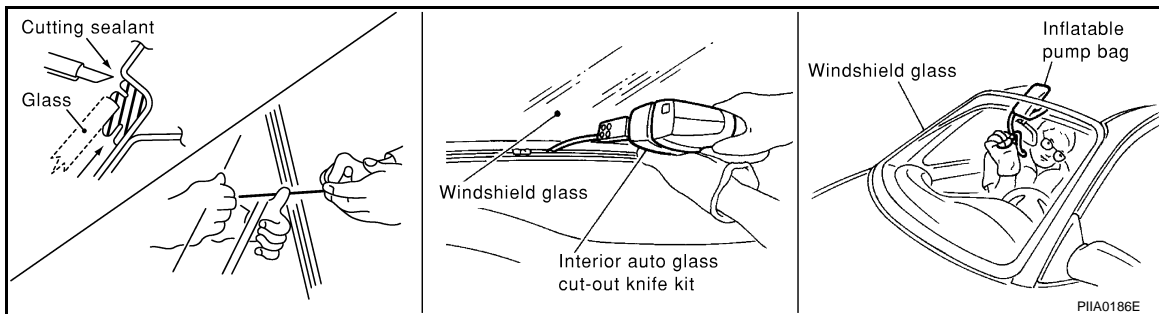
1. Remove inside mirror. Refer to [GW-75, "Removal and Installation"](#).
2. Partially remove the headliner (front edge). Refer to [EI-38, "Removal and Installation"](#).
3. Remove cowl top cover. Refer to [EI-18, "Removal and Installation"](#).
4. Apply protective tape around the windshield glass to protect the painted surface from damage.
  - Remove glass using piano wire or power cutting tool and an inflatable pump bag.
  - If the windshield glass is to be reused, mark the body and the glass with mating marks.

### WARNING:

When cutting the glass from the vehicle, always wear safety glasses and heavy gloves to help prevent glass splinters from entering your eyes or cutting your hands.

### CAUTION:

- When a windshield glass is to be reused, do not use a cutting knife or power cutting tool.
- Be careful not to scratch the glass when removing.
- Do not set or stand glass on its edge. Small chips may develop into cracks.



### INSTALLATION

Installation is in the reverse order of removal.

- Use a genuine NISSAN Urethane Adhesive Kit (if available) or equivalent and follow the instructions furnished with it.
- While the urethane adhesive is curing, open a door window. This will prevent the glass from being forced out by passenger compartment air pressure when a door is closed.
- The molding must be installed securely so that it is in position and leaves no gap.
- Inform the customer that the vehicle should remain stationary until the urethane adhesive has completely cured (preferably 24 hours). Curing time varies with temperature and humidity.

### WARNING:

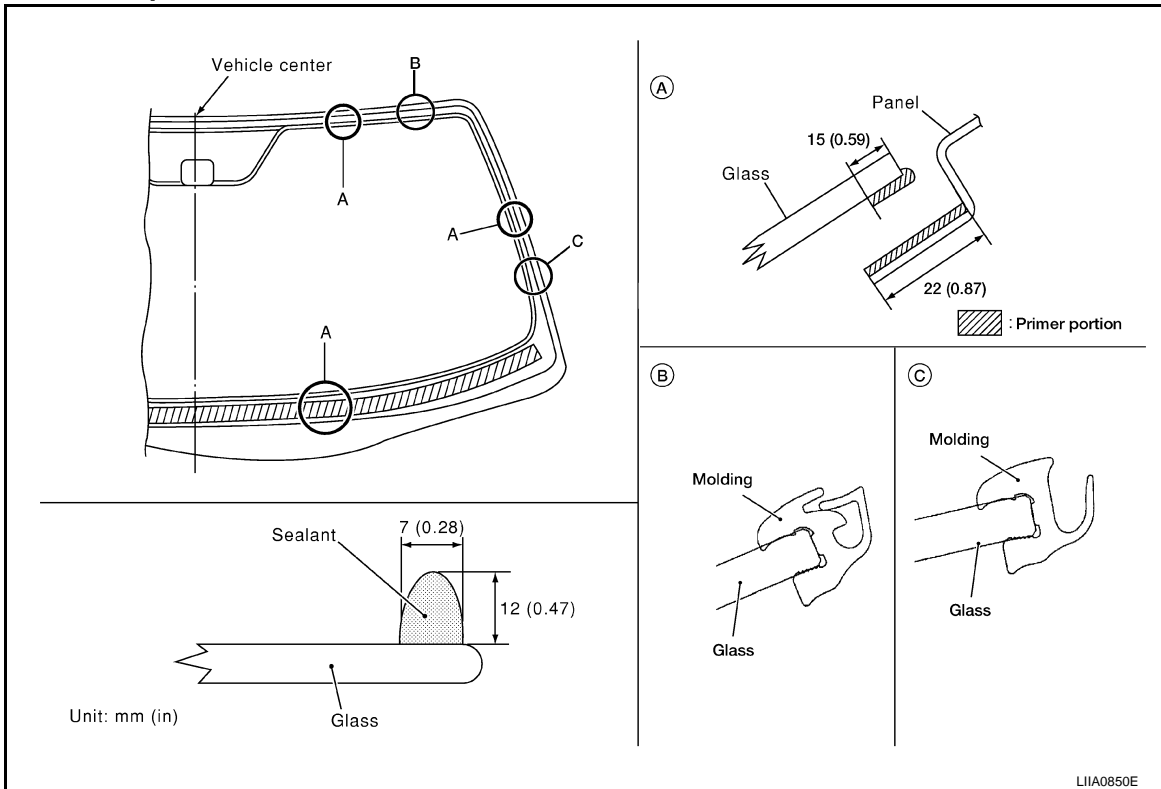
# WINDSHIELD GLASS

## < SERVICE INFORMATION >

- Keep heat and open flames away as primers and adhesive are flammable.
- The materials contained in the kit are harmful if swallowed, and may irritate skin and eyes. Avoid contact with the skin and eyes.
- Use in an open, well ventilated location. Avoid breathing the vapors. They can be harmful if inhaled. If affected by vapor inhalation, immediately move to an area with fresh air.
- Driving the vehicle before the urethane adhesive has completely cured may affect the performance of the windshield in case of an accident.

### CAUTION:

- Do not use an adhesive which is past its usable term. Shelf life of this product is limited to six months after the date of manufacture. Carefully adhere to the expiration or manufacture date printed on the box.
- Keep primers and adhesive in a cool, dry place. Ideally, they should be stored in a refrigerator.
- Do not leave primers or adhesive cartridge unattended with their caps open or off.
- The vehicle should not be driven for at least 24 hours or until the urethane adhesive has completely cured. Curing time varies depending on temperature and humidities. The curing time will increase under lower temperatures and lower humidities.



### Repairing Water Leaks for Windshield

Leaks can be repaired without removing and reinstalling glass.

If water is leaking between the urethane adhesive material and body or glass, determine the extent of leakage.

This can be done by applying water to the windshield area while pushing glass outward.

To stop the leak, apply primer (if necessary) and then urethane adhesive to the leak point.

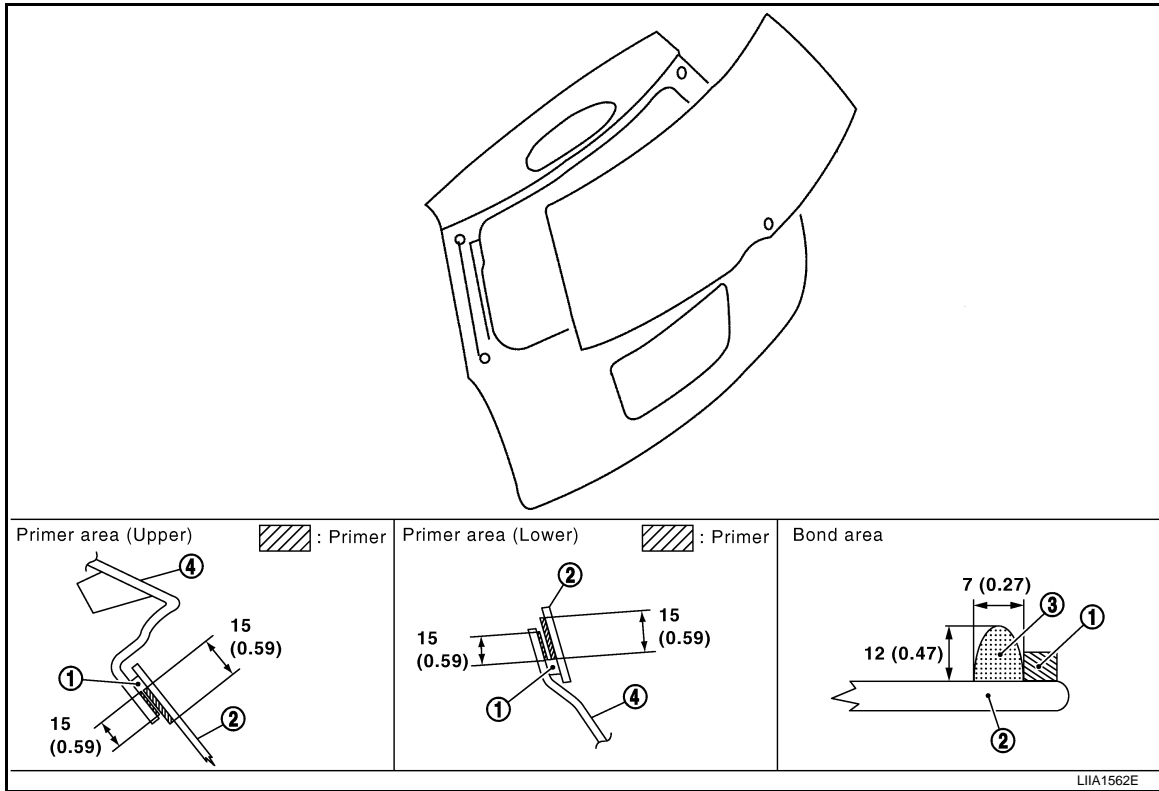
# REAR WINDOW GLASS AND MOLDING

< SERVICE INFORMATION >

## REAR WINDOW GLASS AND MOLDING

### Removal and Installation

INFOID:000000004278506



1. Foam dam
2. Back door window glass
3. Bond
4. Back door outer panel

### REMOVAL

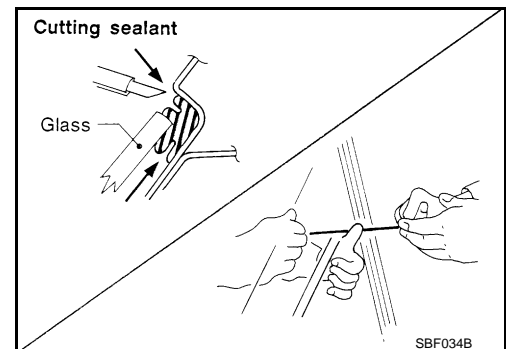
1. Remove the rear wiper arm and motor. Refer to [EI-31](#).
2. Remove the connectors and grounds for the rear window defogger.
  - Remove glass using piano wire or power cutting tool and an inflatable pump bag.
  - If the rear window glass is to be reused, mark the body and the glass with mating marks.

#### **WARNING:**

When cutting the glass from the vehicle, always wear safety glasses and heavy gloves to help prevent glass splinters from entering your eyes or cutting your hands.

#### **CAUTION:**

- When a windshield glass is to be reused, do not use a cutting knife or power cutting tool.
- Be careful not to scratch the glass when removing.
- Do not set or stand the glass on its edge. Small chips may develop into cracks.



### INSTALLATION

Installation is in the reverse order of removal.

- Use a genuine NISSAN Urethane Adhesive Kit (if available) or equivalent and follow the instructions furnished with it.
- While the urethane adhesive is curing, open a door window. This will prevent the glass from being forced out by passenger compartment air pressure when a door is closed.
- The molding must be installed securely so that it is in position and leaves no gap.
- Check gap along bottom to confirm that glass does not contact sheet metal.

A  
B  
C  
D  
E  
F  
G  
H  
J  
K  
L  
M  
N  
O  
P

GW

## REAR WINDOW GLASS AND MOLDING

### < SERVICE INFORMATION >

---

- Inform the customer that the vehicle should remain stationary until the urethane adhesive has completely cured (preferably 24 hours). Curing time varies with temperature and humidity.

#### **WARNING:**

- Keep heat and open flames away as primers and adhesive are flammable.
- The materials contained in the kit are harmful if swallowed, and may irritate skin and eyes. Avoid contact with the skin and eyes.
- Use in an open, well ventilated location. Avoid breathing the vapors. They can be harmful if inhaled. If affected by vapor inhalation, immediately move to an area with fresh air.
- Driving the vehicle before the urethane adhesive has completely cured may affect the performance of the windshield in case of an accident.

#### **CAUTION:**

- Do not use an adhesive which is past its usable term. Shelf life of this product is limited to six months after the date of manufacture. Carefully adhere to the expiration or manufacture date printed on the box.
- Keep primers and adhesive in a cool, dry place. Ideally, they should be stored in a refrigerator.
- Do not leave primers or adhesive cartridge unattended with their caps open or off.
- The vehicle should not be driven for at least 24 hours or until the urethane adhesive has completely cured. Curing time varies depending on temperature and humidity. The curing time will increase under lower temperatures and lower humidities.

Repairing Water leaks for Rear Window Glass

Leaks can be repaired without removing or reinstalling glass.

If water is leaking between urethane adhesive material and body or glass, determine the extent of leakage.

This can be done by applying water to the rear window area while pushing glass outward.

To stop leak, apply primer (if necessary) and then urethane adhesive to the leak point.

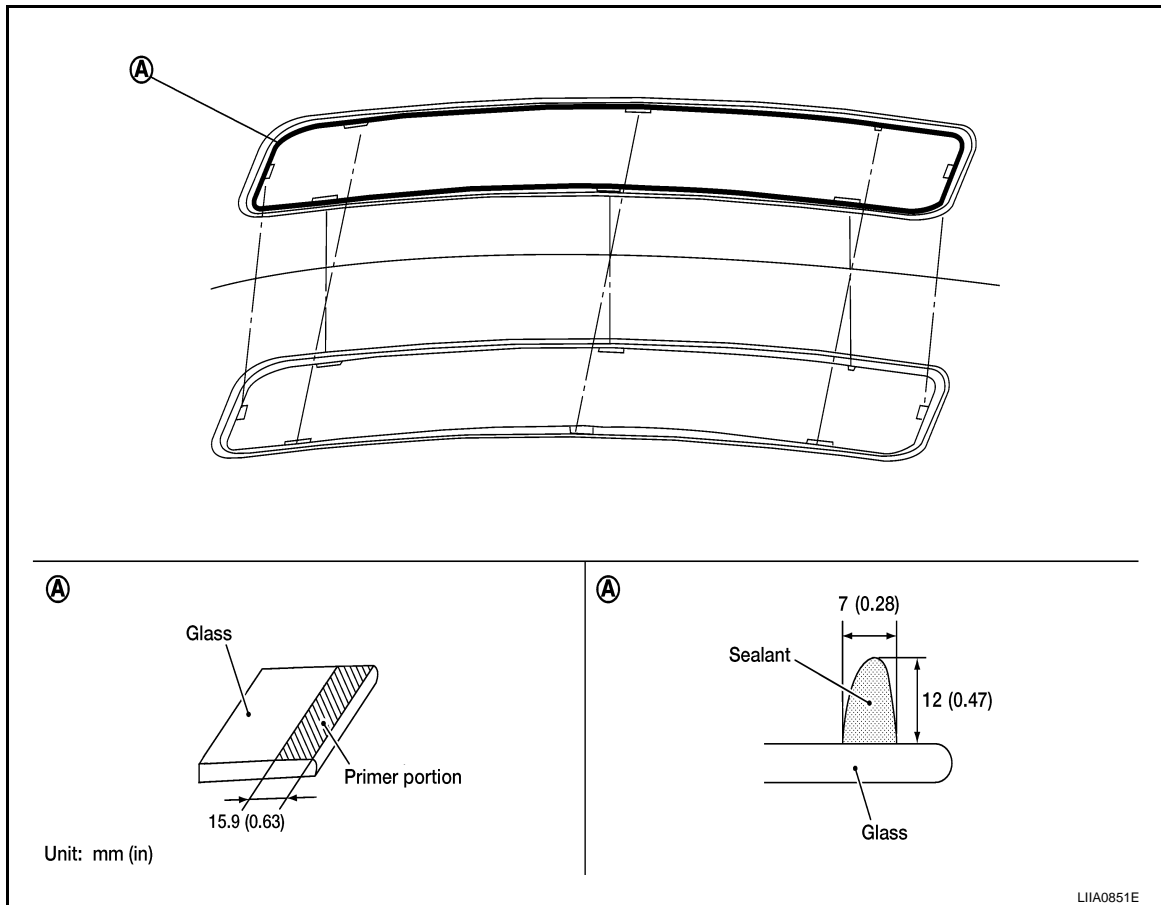
# SKYVIEW ROOF

< SERVICE INFORMATION >

## SKYVIEW ROOF

### Removal and Installation

INFOID:000000004278507



### REMOVAL

1. Remove the headliner. Refer to [EI-38](#).
2. Apply protective tape around the skyview roof glass to protect the painted surface from damage.
3. Remove glass using piano wire or power cutting tool and an inflatable pump bag.

#### **WARNING:**

When cutting the glass from the vehicle, always wear safety glasses and heavy gloves to help prevent glass splinters from entering your eyes or cutting your hands.

#### **CAUTION:**

- When a skyview roof glass is to be reused, do not use a cutting knife or power cutting tool.
- Be careful not to scratch the glass when removing.
- Do not set or stand the glass on its edge. Small chips may develop into cracks.

### INSTALLATION

Installation is in the reverse order of removal.

- Use a genuine NISSAN Urethane Adhesive Kit (if available) or equivalent and follow the instructions furnished with it.
- While the urethane adhesive is curing, open a window. This will prevent the glass from being forced out by passenger compartment air pressure when a door is closed.
- The rubber seal must be installed securely so that it is in position and leaves no gap.
- Inform customer that the vehicle should remain stationary until the urethane adhesive has completely cured (preferably 24 hours). Curing time varies with temperature and humidity.

#### **WARNING:**

- Keep heat and open flames away as primers and adhesives are flammable.
- The materials contained in the kit are harmful if swallowed, and may irritate skin and eyes. Avoid contact with the skin and eyes.

A  
B  
C  
D  
E  
F  
G  
H  
J  
K  
L  
M  
N  
O  
P

GW

## SKYVIEW ROOF

### < SERVICE INFORMATION >

---

- Use in an open, well ventilated location. Avoid breathing the vapors. They can be harmful if inhaled. If affected by vapor inhalation, immediately move to area with fresh air.
- Driving the vehicle before urethane adhesive has completely cured may affect the performance of the skyview roof in case of an accident.

#### **CAUTION:**

- Do not use an adhesive which is past its usable term. Shelf life of this product is limited to six months after the date of manufacture. Carefully adhere to the expiration or manufacture date printed on the box.
- Keep primers and adhesives in a cool dry place. Ideally they should be stored in a refrigerator.
- Do not leave primers and adhesive cartridge unattended with their caps off.
- The vehicle should not be driven for at least 24 hours or until the urethane adhesive has completely cured. Curing time depends on temperature and humidity. The curing time will increase under lower temperature and lower humidities.

#### Repairing Water Leaks for Skyview Roof Glass

Leaks can be repaired without removing and reinstalling glass.

If water is leaking between the urethane adhesive material and body or glass, determine the extent of leakage.

This can be done by applying water to the glass area while pushing glass outward.

To stop the leak, apply primer (if necessary) and then urethane adhesive to the leak point.



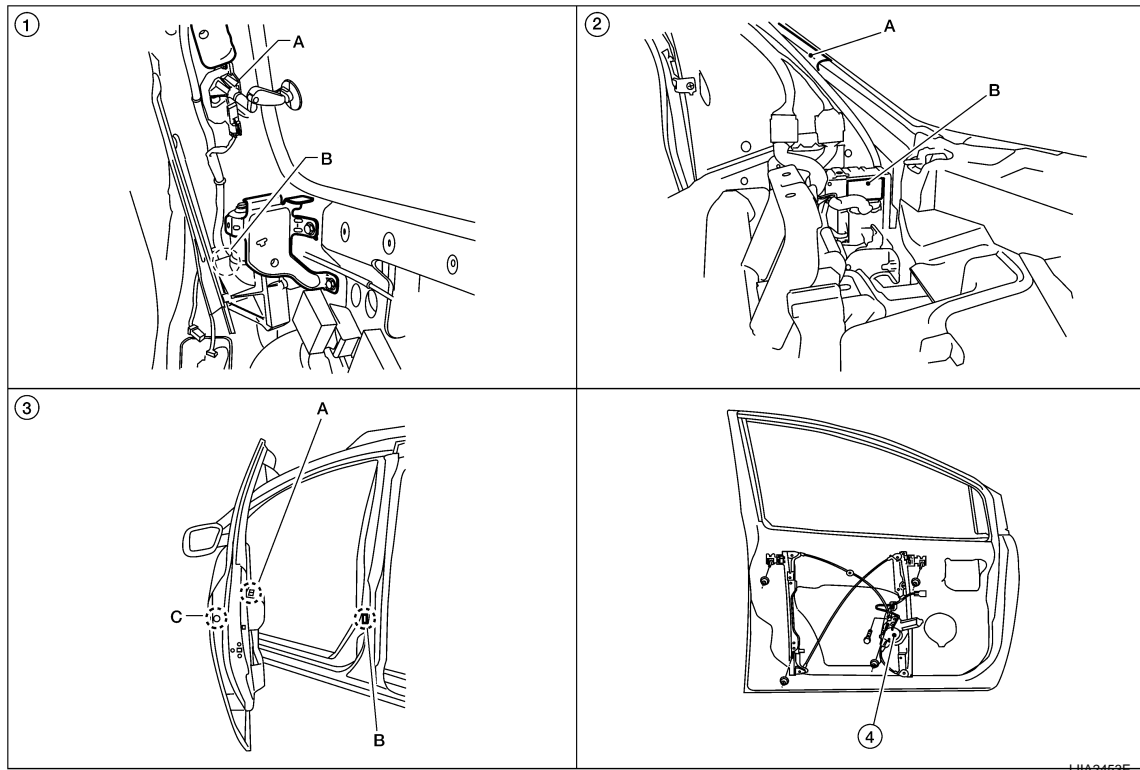
# POWER WINDOW SYSTEM

< SERVICE INFORMATION >

## POWER WINDOW SYSTEM

### Component Parts and Harness Connector Location

INFOID:000000004278508



1. A. Rear power vent window motor LH B52, RH B147  
B. Condenser-3 B65, -4 B68 (view with rear finishers removed)

2. A. A-pillar LH  
B. BCM M18, M19, M20 (view with instrument panel removed)

3. A. Main power window and door lock/unlock switch D7, D8  
Power window and door lock/unlock switch RH D105  
B. Front door switch LH B8, RH B108  
C. Front door lock assembly LH (key cylinder switch) D14

4. Front power window motor LH D9, RH D104 (view with door finisher removed)

### System Description

INFOID:000000004278509

Power is supplied at all times

- from 50A fusible link (letter j, located in the fuse and fusible link box)
  - to BCM terminal 70
  - through BCM terminal 69
  - to main power window and door lock/unlock switch terminal 1 (without rear power vent windows) or 19 (with rear power vent windows)
  - to power window and door lock/unlock switch RH terminal 10.
- With ignition switch in ON or START position, power is supplied
- through 10A fuse [No.16, located in the fuse block (J/B)]
  - to BCM terminal 38
  - through BCM terminal 68
  - to main power window and door lock/unlock switch terminal 10.
- With ignition switch in ACC or ON position, power is supplied
- through 10A fuse [No. 4, located in the fuse block (J/B)]
  - to BCM terminal 11.
- Ground is supplied
- to BCM terminal 67

# POWER WINDOW SYSTEM

## < SERVICE INFORMATION >

---

- to front door lock assembly LH (key cylinder switch) terminal 5
- to main power window and door lock/unlock switch terminal 15 (without rear power vent windows) or 17 (with rear power vent windows)
- to power window and door lock/unlock switch RH terminal 11
- through body grounds M57, M61 and M79.

## MANUAL OPERATION

Front Door LH

### **WINDOW UP**

When the front LH switch in the main power window and door lock/unlock switch is pressed in the up position, power is supplied

- through main power window and door lock/unlock switch terminal 8
- to front power window motor LH terminal 2.

Ground is supplied

- through main power window and door lock/unlock switch terminal 11
- to front power window motor LH terminal 1.

Then, the motor raises the window until the switch is released.

### **WINDOW DOWN**

When the front LH switch in the main power window and door lock/unlock switch is pressed in the down position, power is supplied

- through main power window and door lock/unlock switch terminal 11
- to front power window motor LH terminal 1.

Ground is supplied

- through main power window and door lock/unlock switch terminal 8
- to front power window motor LH terminal 2.

Then, the motor lowers the window until the switch is released.

Front Door RH

## **POWER WINDOW AND DOOR LOCK/UNLOCK SWITCH RH OPERATION**

### **WINDOW UP**

When the power window and door lock/unlock switch RH is pressed in the up position, power is supplied

- through power window and door lock/unlock switch RH terminal 8
- to front power window motor RH terminal 2.

Ground is supplied

- through power window and door lock/unlock switch RH terminal 9
- to front power window motor RH terminal 1.

Then, the motor raises the window until the switch is released.

### **WINDOW DOWN**

When the power window and door lock/unlock switch RH is pressed in the down position, power is supplied

- through power window and door lock/unlock switch RH terminal 9
- to front power window motor RH terminal 1.

Ground is supplied

- through power window and door lock/unlock switch RH terminal 8
- to front power window motor RH terminal 2.

Then, the motor lowers the window until the switch is released.

## **MAIN POWER WINDOW AND DOOR LOCK/UNLOCK SWITCH OPERATION**

Power window serial link signal is sent

- through main power window and door lock/unlock switch terminal 12 (without rear power vent windows) or 14 (with rear power vent windows)
- to power window and door lock/unlock switch RH terminal 16.

The operation of power window after receiving the signal is the same as operating the power window with power window and door lock/unlock switch RH.

## **VENT WINDOW CLOSE (WITH REAR POWER VENT WINDOWS)**

When the main power window and door lock/unlock switch (rear LH) is pressed in the close position, power is supplied

- through main power window and door lock/unlock switch terminal 1
- to rear power vent window motor LH terminal 1.

Ground is supplied

- through main power window and door lock/unlock switch terminal 3
- to rear power vent window motor LH terminal 2.

Then, the motor closes the window until the switch is released.

# POWER WINDOW SYSTEM

## < SERVICE INFORMATION >

When the main power window and door lock/unlock switch (rear RH) is pressed in the close position, power is supplied

- through main power window and door lock/unlock switch terminal 7
- to rear power vent window motor RH terminal 1.

Ground is supplied

- through main power window and door lock/unlock switch terminal 5
- to rear power window motor RH terminal 2.

Then, the motor closes the window until the switch is released.

### **VENT WINDOW OPEN (WITH REAR POWER VENT WINDOWS)**

When the main power window and door lock/unlock switch (rear LH) is pressed in the open position, power is supplied

- through main power window and door lock/unlock switch terminal 3
- to rear power vent window motor LH terminal 2.

Ground is supplied

- through main power window and door lock/unlock switch terminal 1
- to rear power vent window motor LH terminal 1.

Then, the motor opens the window until the switch is released.

When the main power window and door lock/unlock switch (rear RH) is pressed in the open position, power is supplied

- through main power window and door lock/unlock switch terminal 5
- to rear power vent window motor RH terminal 2.

Ground is supplied

- through main power window and door lock/unlock switch terminal 7
- to rear power vent window motor RH terminal 1.

Then, the motor opens the window until the switch is released.

### **AUTO OPERATION**

The AUTO feature allows the front window LH or RH (driver) or front window RH (passenger) to open or close without holding the window switch in the down or up position.

### **POWER WINDOW SERIAL LINK**

Main power window and door lock/unlock switch, power window and door lock/unlock switch RH, and BCM transmit and receive the signal by power window serial link and BUS signal.

The following signals are transmitted from BCM to main power window and door lock/unlock switch and power window and door lock/unlock switch RH

- Front door window RH operation signal
- Power window control by front door lock assembly (key cylinder switch) signal
- Power window lock signal
- Keyless power window down signal
- Retained power operation signal

### **POWER WINDOW LOCK**

The power window lock is designed to lock operation of all windows except for front door window LH.

When in the lock position, the power window lock signal is transmitted to power window and door lock/unlock switch RH by power window serial link. This prevents the power window motor from operating.

### **RETAINED POWER OPERATION**

When the ignition switch is turned to the OFF position from ON or START position, power is supplied for 45 seconds

- to main power window and door lock/unlock switch terminal 10
- from BCM terminal 68.

When power and ground are supplied, the BCM continues to be energized, and the power window can be operated.

The retained power operation is canceled when the front LH or front RH door is opened.

Retained power operation period can be changed by CONSULT-III. Refer to [GW-35, "CONSULT-III Function \(BCM\)"](#).

### **ANTI-PINCH SYSTEM**

Main power window and door lock/unlock switch and power window and door lock/unlock switch RH monitor the power window motor operation and the power window position (full closed or other) for front LH and front RH power window by the signals from encoder and limit switch in front power window motor LH and RH.

When main power window and door lock/unlock switch or power window and door lock/unlock switch RH detects interruption during the following close operations

A  
B  
C  
D  
E  
F  
G  
H  
J  
K  
L  
M  
N  
O  
P

GW

# POWER WINDOW SYSTEM

## < SERVICE INFORMATION >

---

- automatic close operation when ignition switch is in the ON position
- automatic close operation during retained power operation

Main power window and door lock/unlock switch or power window and door lock/unlock switch RH controls each front power window motor for open and the power window will be lowered.

### POWER WINDOW CONTROL BY THE FRONT DOOR LOCK ASSEMBLY LH (KEY CYLINDER SWITCH)

When ignition switch is OFF, front power window LH and RH can be opened or closed by turning the front door lock assembly LH (key cylinder switch) to the UNLOCK/LOCK position for more than 1 second.

- Front power windows can be opened as the front door lock assembly LH (key cylinder switch) is kept fully turned to the UNLOCK position.
- Front power windows can be closed as the front door lock assembly LH (key cylinder switch) is kept fully turned to the LOCK position.
- While performing open/close operation for the windows, power window is stopped when the front door lock assembly LH (key cylinder switch) is placed in the NEUTRAL position.
- When the ignition switch is turned ON while the power window opening operation is performed, the power window opening stops.

### CAN Communication System Description

INFOID:000000004278510

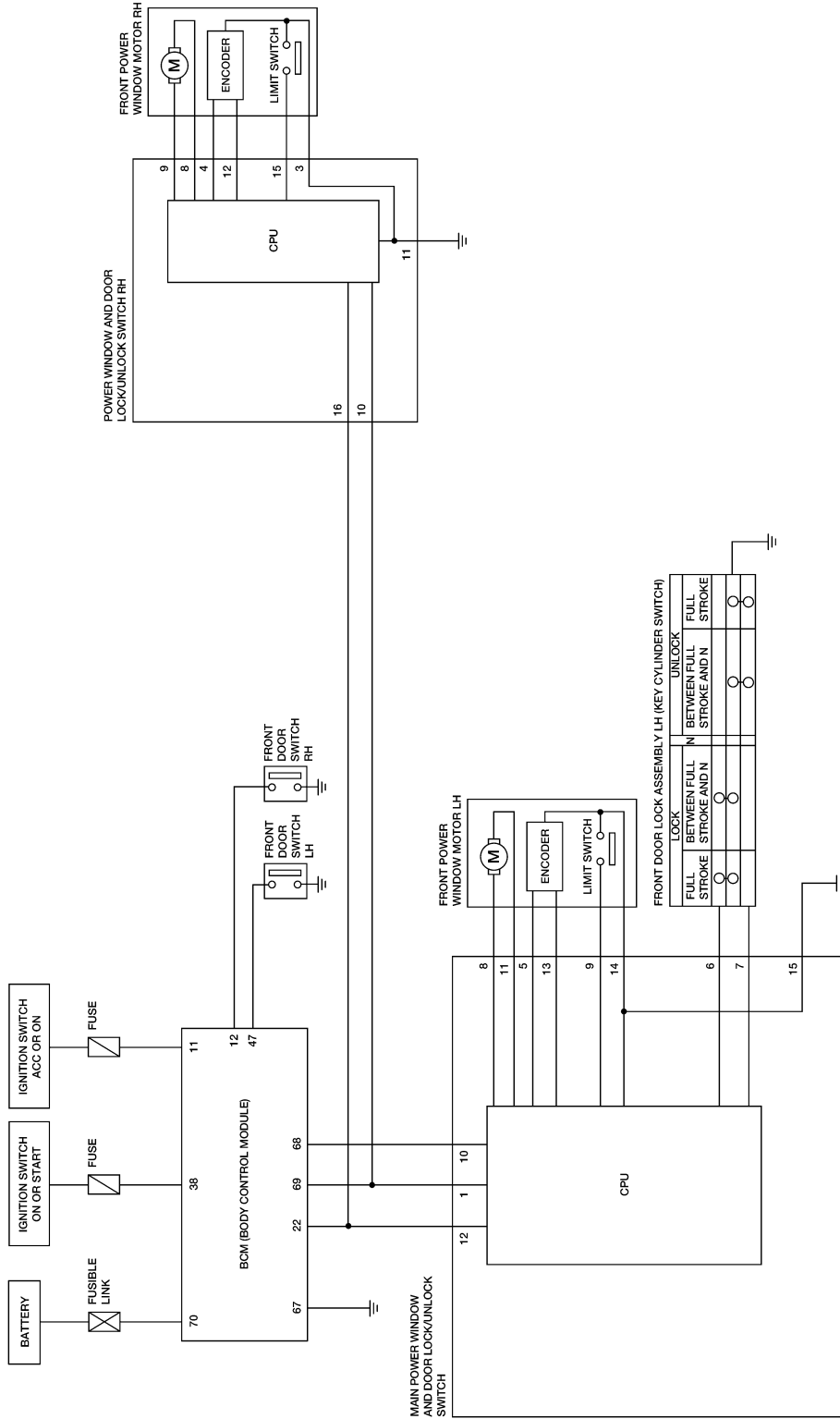
Refer to [LAN-3, "CAN Communication System"](#).

# POWER WINDOW SYSTEM

< SERVICE INFORMATION >

## Schematic (Without Rear Power Vent Windows)

INFOID:000000004278511



WIWA1774E

A  
B  
C  
D  
E  
F  
G  
H  
I  
J  
K  
L  
M  
N  
O  
P

GW

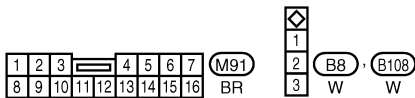
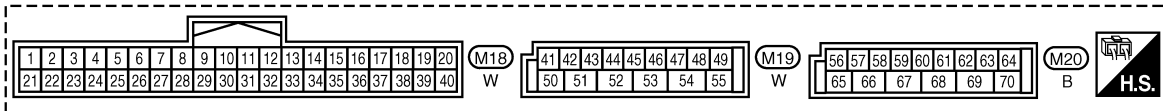
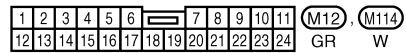
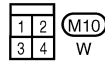
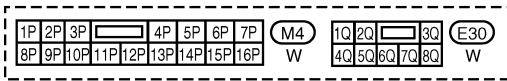
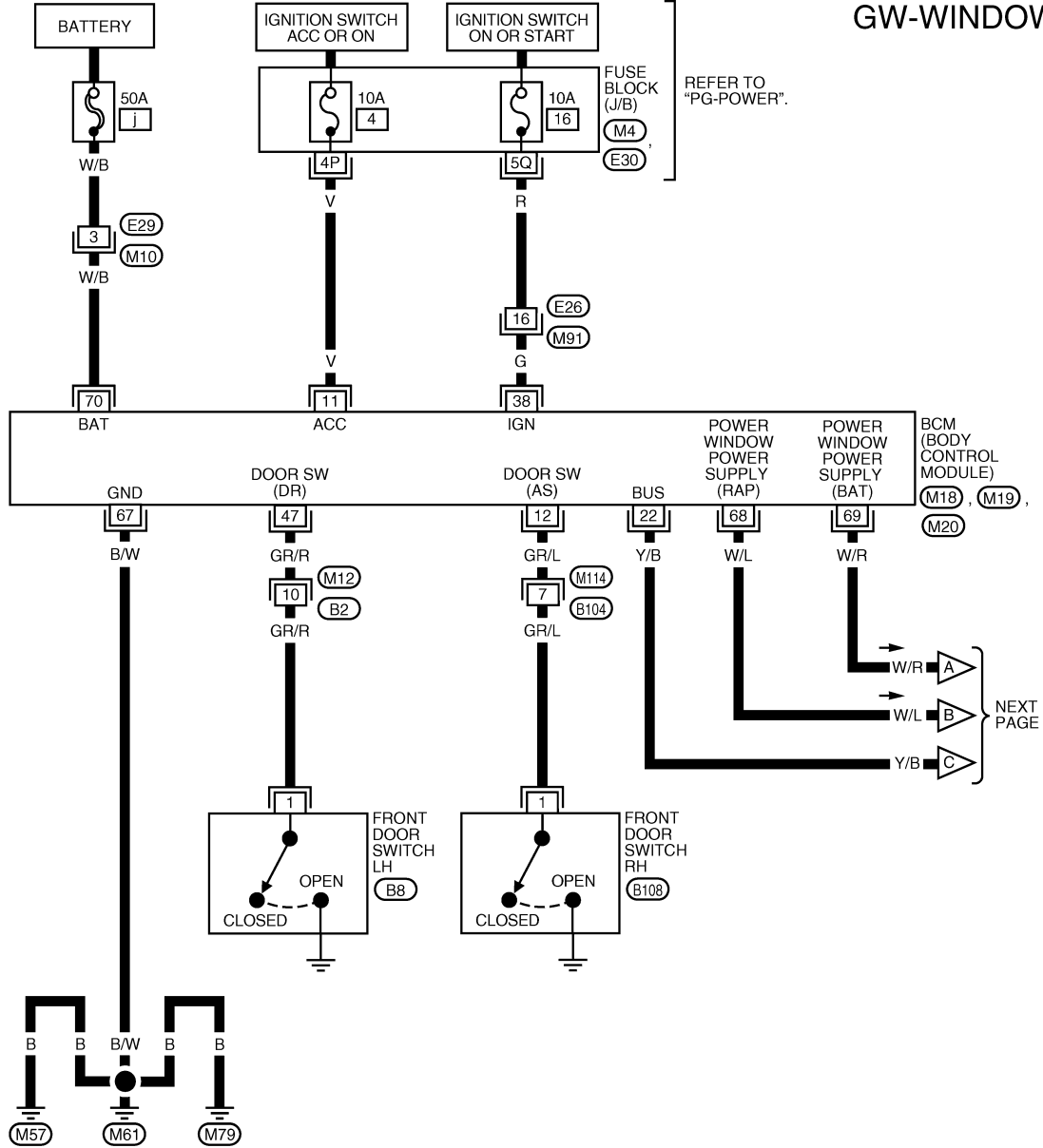
# POWER WINDOW SYSTEM

< SERVICE INFORMATION >

## Wiring Diagram - WINDOW - (Without Rear Power Vent Windows)

INFOID:000000004278512

GW-WINDOW-01

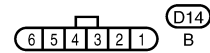
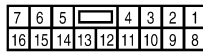
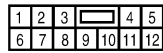
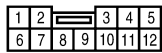
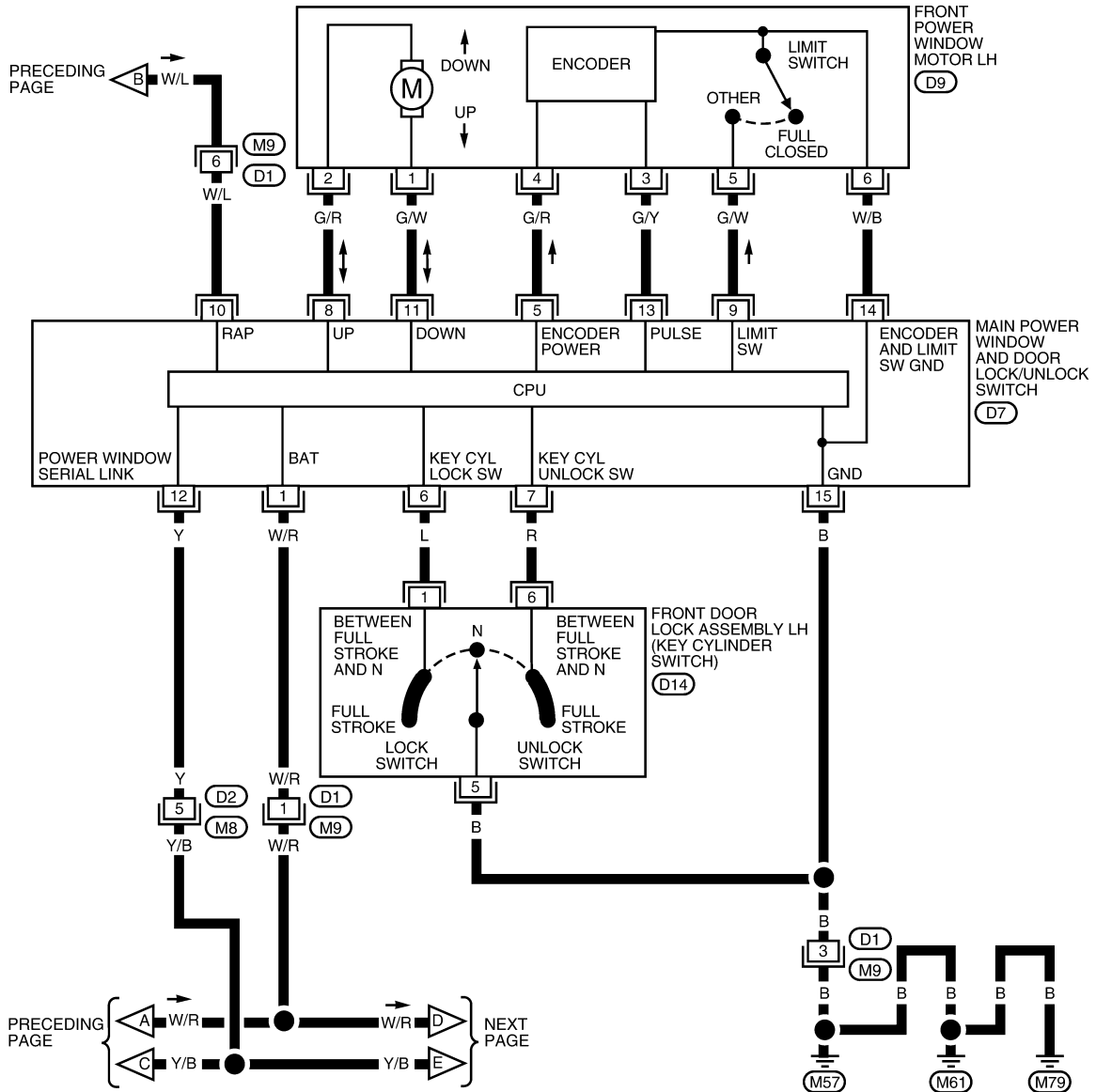


WIWA1775E

# POWER WINDOW SYSTEM

< SERVICE INFORMATION >

## GW-WINDOW-02

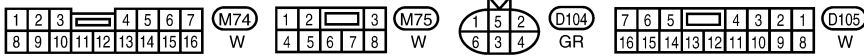
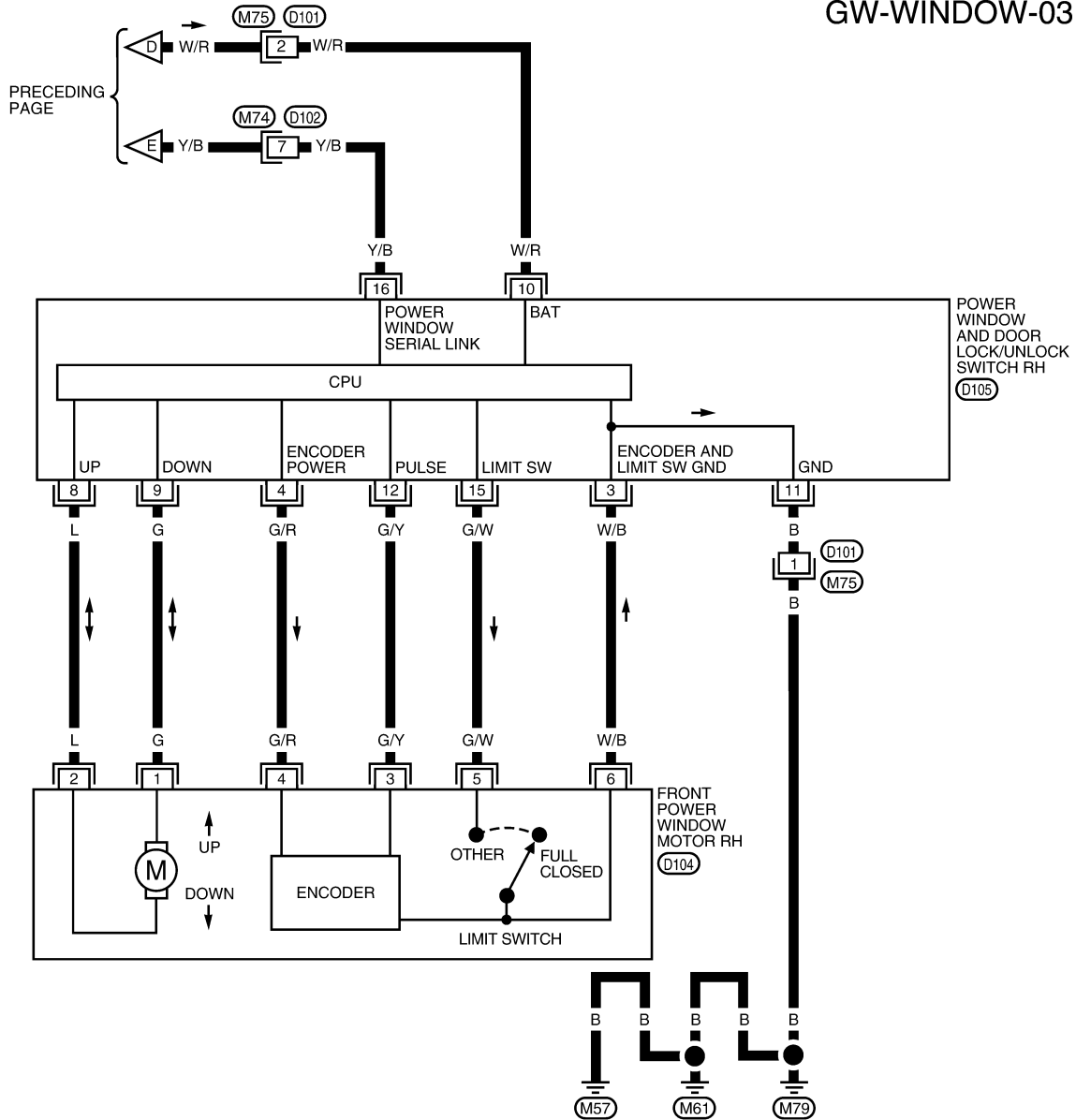


WIWA1776E

# POWER WINDOW SYSTEM

< SERVICE INFORMATION >

GW-WINDOW-03



WWA1777E

Main Power Window and Door Lock/Unlock Switch (Without Rear Power Vent Win-

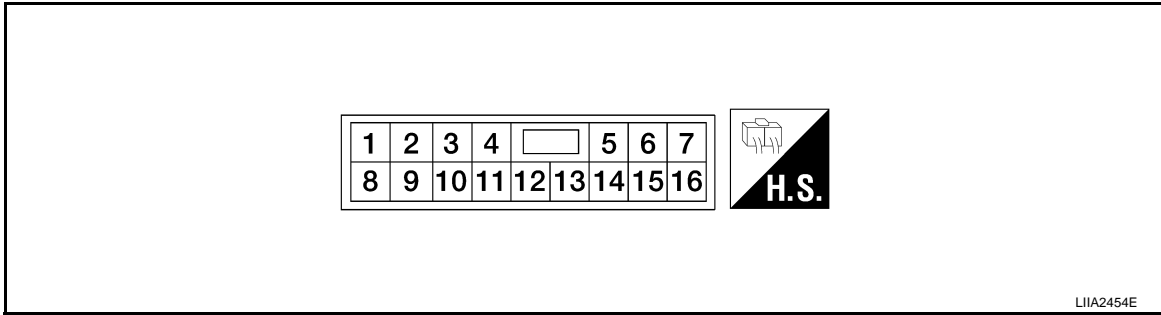


# POWER WINDOW SYSTEM

< SERVICE INFORMATION >

## Front Power Window Harness Connector Terminal Layout

INFOID:000000004278513



## Terminal and Reference Value for Main Power Window and Door Lock/Unlock Switch (Without Rear Power Vent Windows)

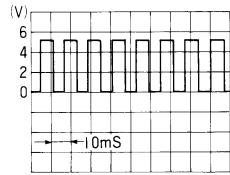
INFOID:000000004278514

Terminal	Wire Color	Item	Condition	Voltage (V) (Approx.)
1	W/R	Battery power supply	—	Battery voltage
5	G/R	Encoder power supply	Ignition switch ON or power window timer operates	10
6	L	Front door lock assembly LH (key cylinder switch) lock signal	Key position (Neutral → Locked)	5 → 0
7	R	Front door lock assembly LH (key cylinder switch) unlock signal	Key position (Neutral → Unlocked)	5 → 0
8	G/R	Front power window motor LH UP signal	Front power window motor LH is operated UP	Battery voltage
9	G/W	Limit switch signal	Front door window LH is between fully-open and just before fully-closed position (ON)	0
			Front door window LH is between just before fully-closed position and fully-closed position (OFF)	5
10	W/L	RAP signal	Ignition switch ON	Battery voltage
			Within 45 second after ignition switch is turned to OFF	Battery voltage
			More than 45 second after ignition switch is turned to OFF	0
			Front door LH or RH open or power window timer operates	0
11	G/W	Front power window motor LH DOWN signal	Front power window motor LH is operated DOWN	Battery voltage
12	Y	Power window serial link	Ignition switch ON or power window timer operates	

PIIA2344J

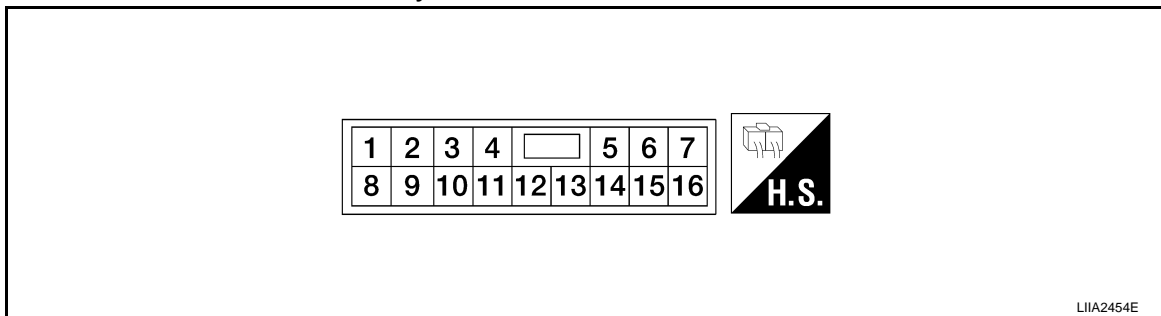
# POWER WINDOW SYSTEM

## < SERVICE INFORMATION >

Terminal	Wire Color	Item	Condition	Voltage (V) (Approx.)
13	G/Y	Encoder pulse signal	Front power window motor LH operates	 OCC3383D
14	W/B	Limit switch and encoder ground	—	0
15	B	Ground	—	0

## Power Window and Door Lock/Unlock Switch RH (Without Rear Power Vent Windows) Harness Connector Terminal Layout

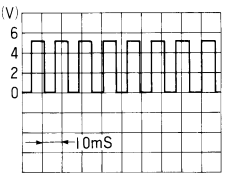
INFOID:000000004278515



LIA2454E

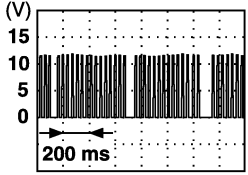
## Terminal and Reference Value for Power Window and Door Lock/Unlock Switch RH (Without Rear Power Vent Windows)

INFOID:000000004278516

Terminal	Wire Color	Item	Condition	Voltage (V) (Approx.)
3	W/B	Limit switch and encoder ground	—	0
4	G/R	Encoder power supply	Ignition switch ON or power window timer operates	10
8	L	Front power window motor RH UP signal	Front power window motor RH is operated UP	Battery voltage
9	G	Front power window motor RH DOWN signal	Front power window motor RH is operated DOWN	Battery voltage
10	W/R	Battery power supply	—	Battery voltage
11	B	Ground	—	0
12	G/Y	Encoder pulse signal	Front power window motor RH operates	 OCC3383D

# POWER WINDOW SYSTEM

## < SERVICE INFORMATION >

Terminal	Wire Color	Item	Condition	Voltage (V) (Approx.)
15	G/W	Limit switch signal	Front door window RH is between fully-open and just before fully-closed position (ON)	0
			Front door window RH is between just before fully-closed position and fully-closed position (OFF)	5
16	Y/B	Power window serial link	Ignition switch ON or power window timer operates	 <p>PIIA2344J</p>

### Terminal and Reference Value for BCM (Without Rear Power Vent Windows)

INFOID:000000004278517

Refer to [BCS-11, "Terminal and Reference Value for BCM"](#).

A  
B  
C  
D  
E  
F  
G  
H  
J  
K  
L  
M  
N  
O  
P

**GW**



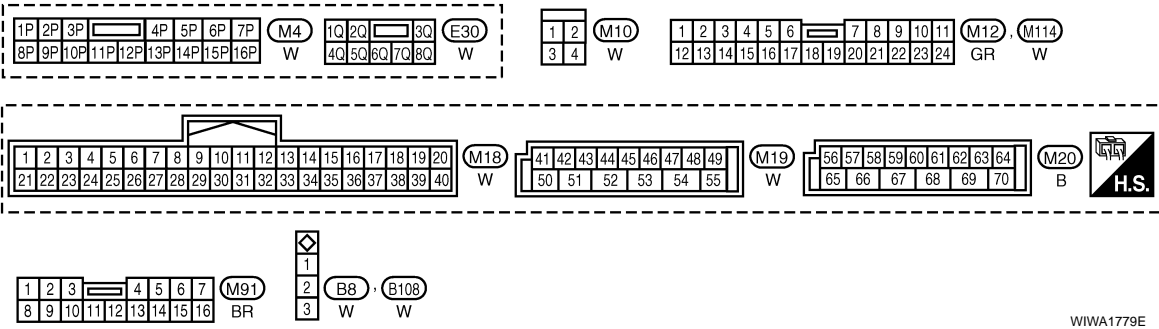
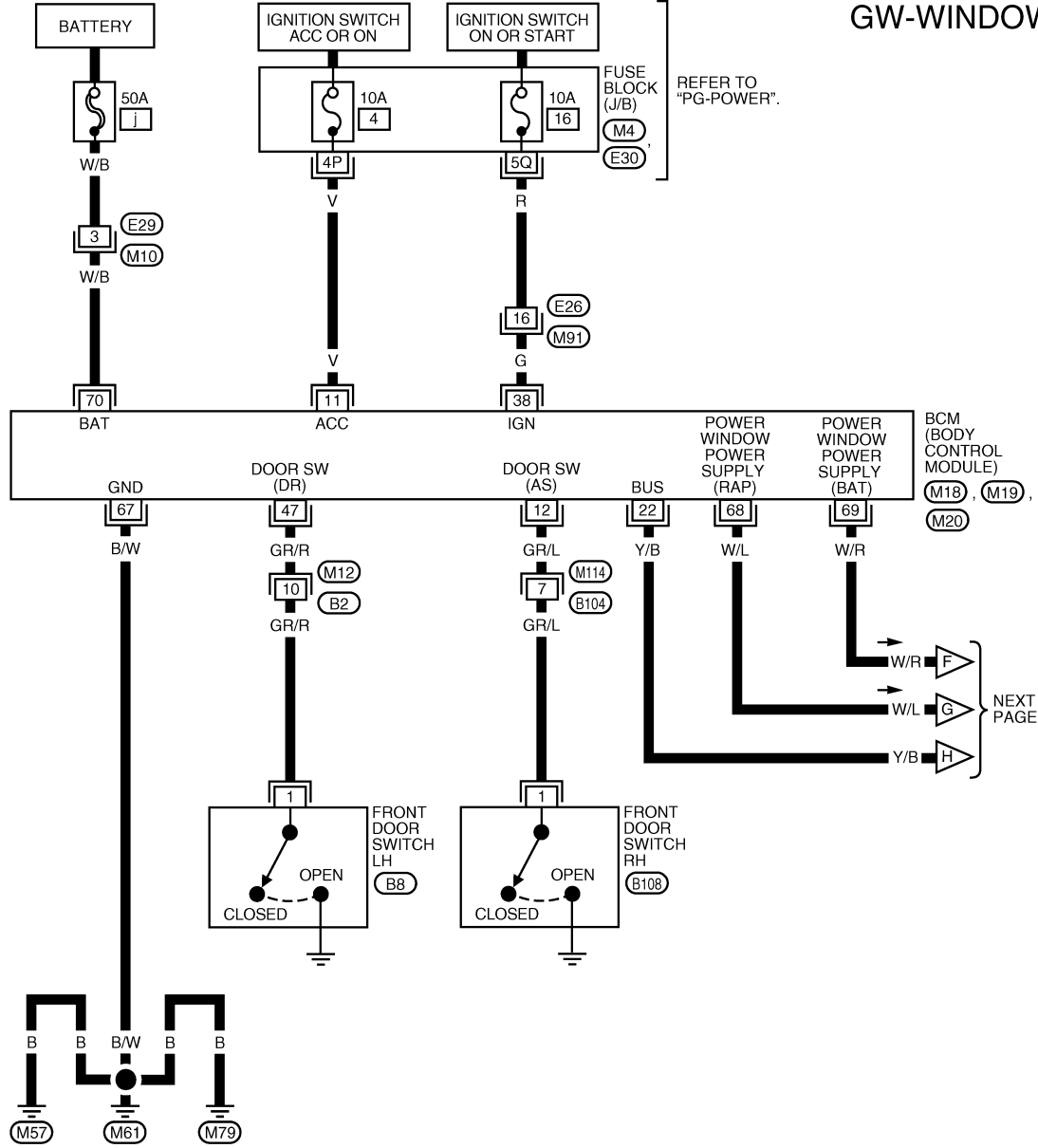
# POWER WINDOW SYSTEM

< SERVICE INFORMATION >

## Wiring Diagram - WINDOW - (With Rear Power Vent Windows)

INFOID:000000004278519

GW-WINDOW-04



WIWA1779E

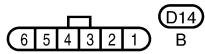
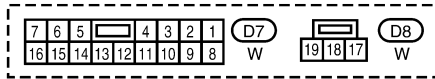
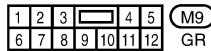
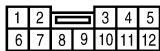
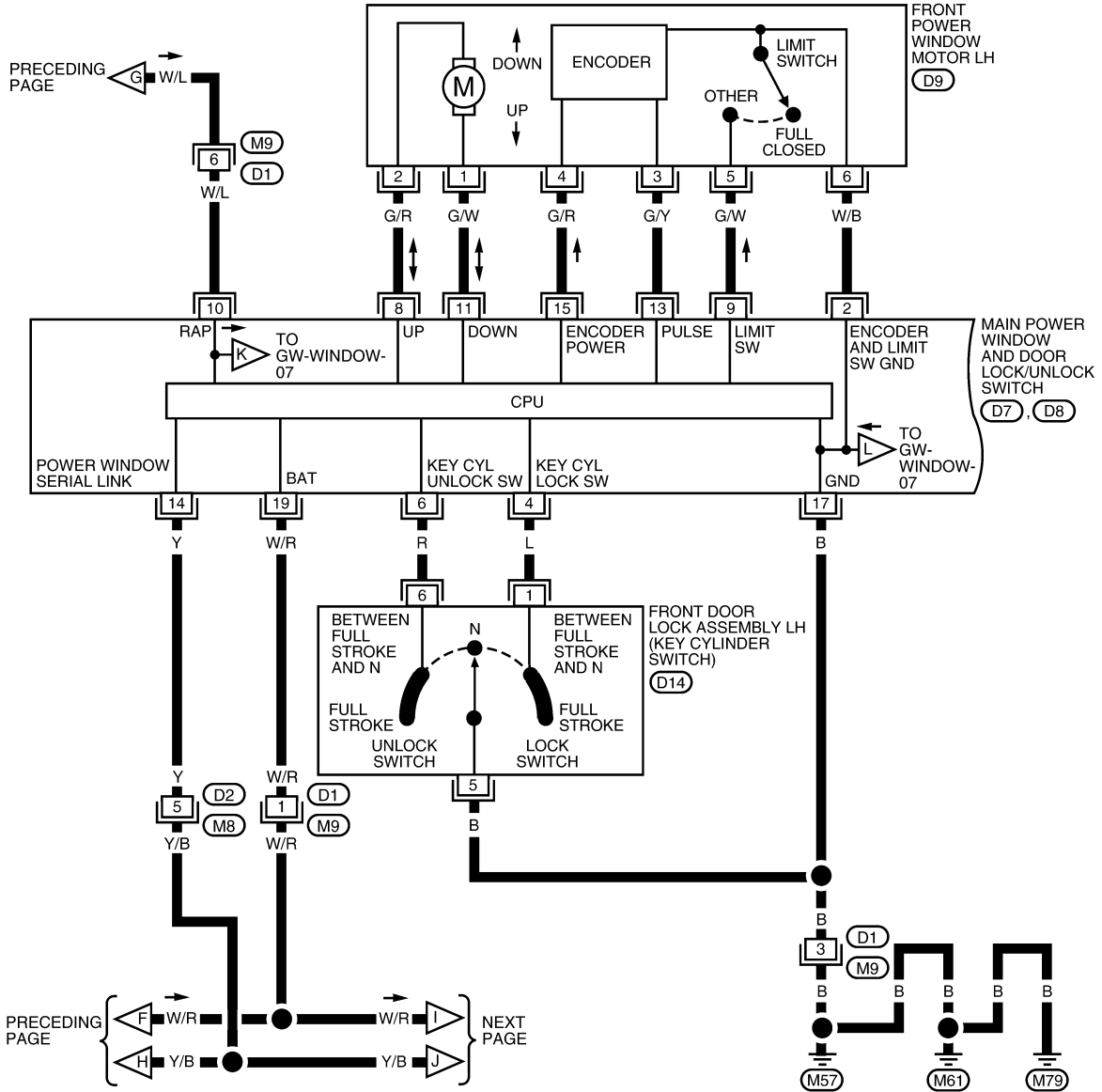
A  
B  
C  
D  
E  
F  
G  
H  
J  
K  
L  
M  
N  
O  
P

GW

# POWER WINDOW SYSTEM

< SERVICE INFORMATION >

## GW-WINDOW-05

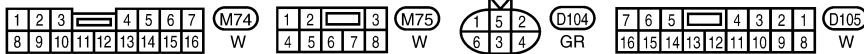
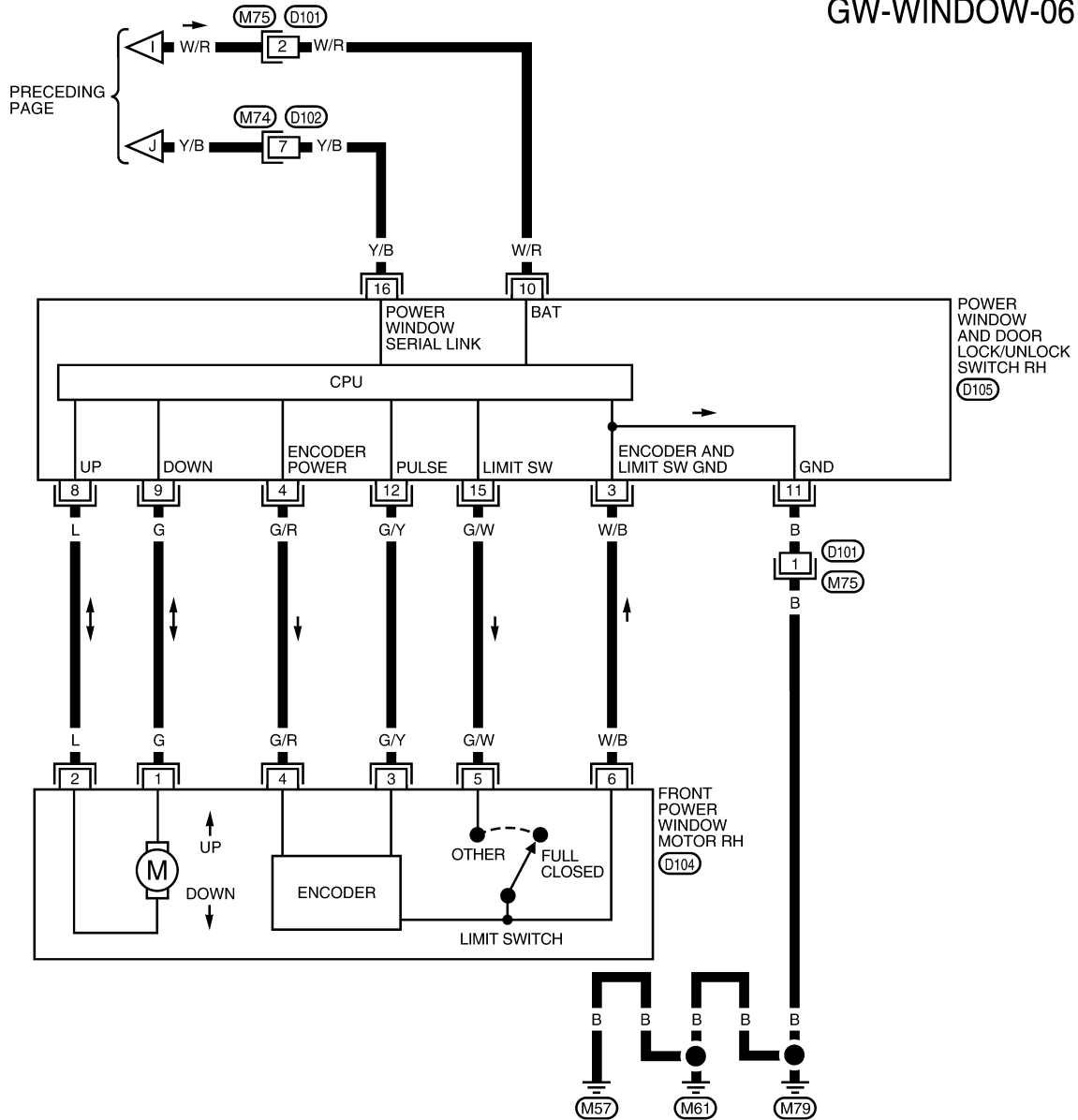


WIWA1780E

# POWER WINDOW SYSTEM

< SERVICE INFORMATION >

GW-WINDOW-06



A  
B  
C  
D  
E  
F  
G  
H  
I  
J  
K  
L  
M  
N  
O  
P

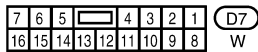
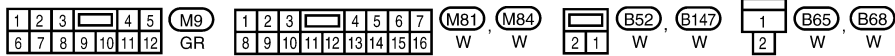
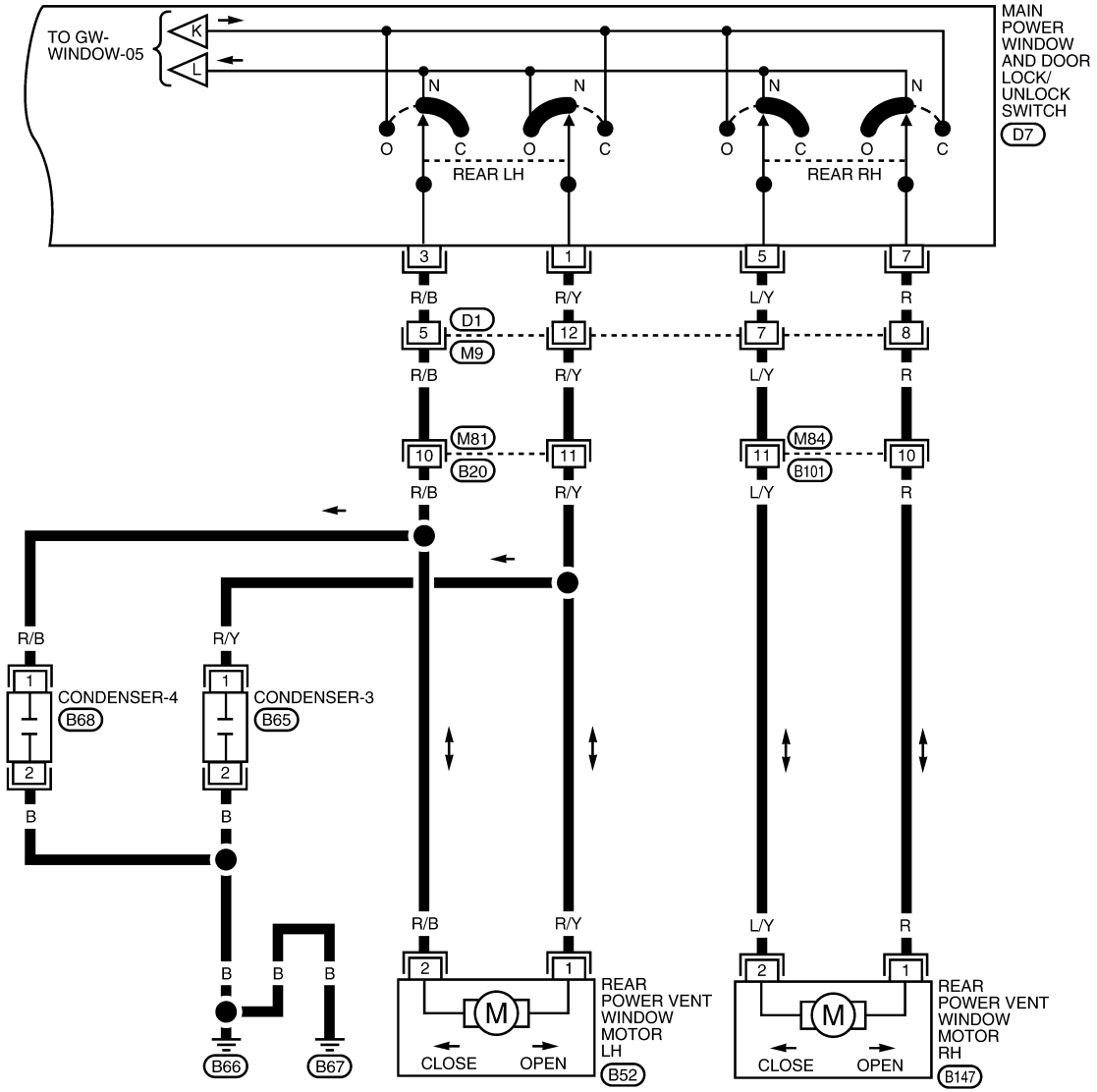
GW

WIWA1781E

# POWER WINDOW SYSTEM

< SERVICE INFORMATION >

## GW-WINDOW-07



W1WA1782E

Main Power Window and Door Lock/Unlock Switch (With Rear Power Vent Windows)

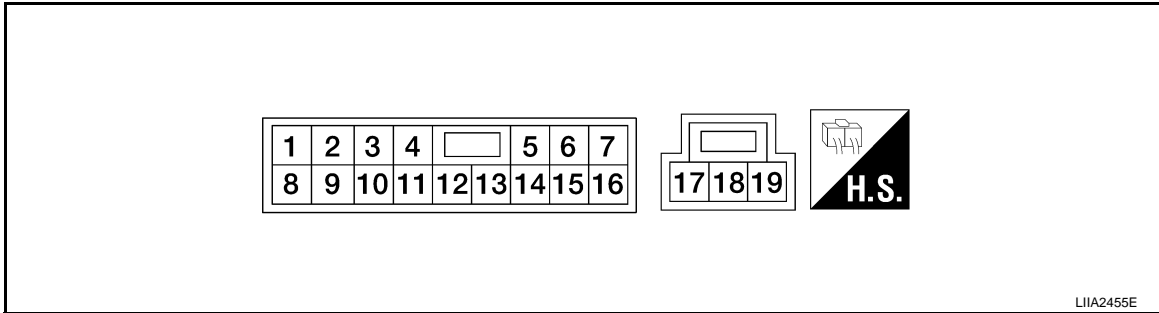


# POWER WINDOW SYSTEM

< SERVICE INFORMATION >

## Harness Connector Terminal Layout

INFOID:000000004278520



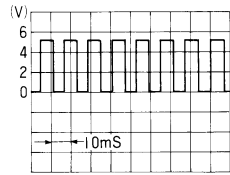
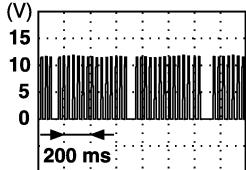
## Terminal and Reference Value for Main Power Window and Door Lock/Unlock Switch (With Rear Power Vent Windows)

INFOID:000000004278521

Terminal	Wire Color	Item	Condition	Voltage (V) (Approx.)
1	R/Y	Rear power vent window LH CLOSE signal	Rear LH switch in main power window and door lock/unlock switch is operated CLOSE	Battery voltage
2	W/B	Limit switch and encoder ground	—	0
3	R/B	Rear power vent window LH OPEN signal	Rear LH switch in main power window and door lock/unlock switch is operated OPEN	Battery voltage
4	L	Front door lock assembly LH (key cylinder switch) lock signal	Key position (Neutral → Locked)	5 → 0
5	L/Y	Rear power window vent OPEN signal	Rear RH switch in main power window and door lock/unlock switch is operated OPEN	Battery voltage
6	R	Front door lock assembly LH (key cylinder switch) unlock signal	Key position (Neutral → Unlocked)	5 → 0
7	R	Rear power window RH CLOSE signal	Rear RH switch in main power window and door lock/unlock switch is operated CLOSE	Battery voltage
8	G/R	Front power window motor LH UP signal	Front power window motor LH is operated UP	Battery voltage
9	G/W	Limit switch signal	Front door window LH is between fully-open and just before fully-closed position (ON)	0
			Front door window LH is between just before fully-closed position and fully-closed position (OFF)	5
10	W/L	RAP signal	Ignition switch ON	Battery voltage
			Within 45 seconds after ignition switch is turned to OFF	Battery voltage
			More than 45 seconds after ignition switch is turned to OFF	0
			Front door LH or RH open or power window timer operates	0
11	G/W	Front power window motor LH DOWN signal	Front power window motor LH is operated DOWN	Battery voltage

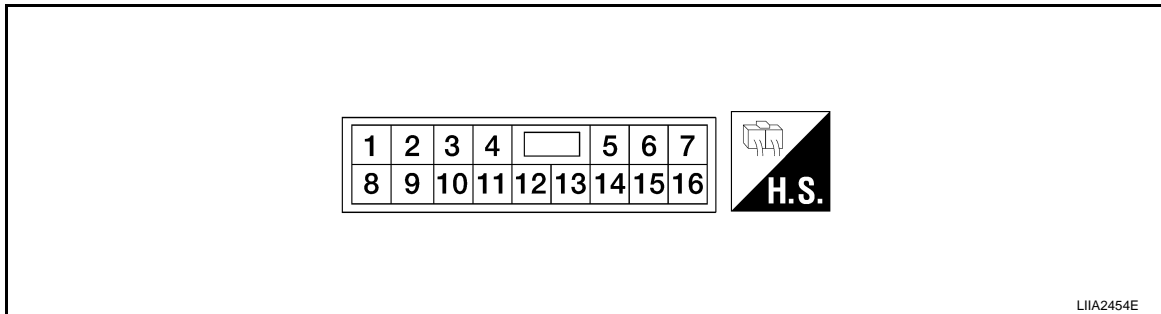
# POWER WINDOW SYSTEM

## < SERVICE INFORMATION >

Terminal	Wire Color	Item	Condition	Voltage (V) (Approx.)
13	G/Y	Encoder pulse signal	Front power window motor LH operates	 OCC3383D
14	Y	Power window serial link	Ignition switch ON or power window timer operates	 PIIA2344J
15	G/R	Encoder power supply	Ignition switch ON or power window timer operates	10
17	B	Ground	—	0
19	W/R	Battery power supply	—	Battery voltage

## Power Window and Door Lock/Unlock Switch RH (With Rear Power Vent Windows) Harness Connector Terminal Layout

INFOID:000000004278522



LIA2454E

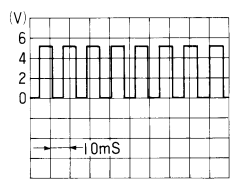
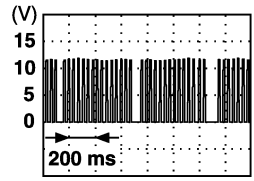
## Terminal and Reference Value for Power Window and Door Lock/Unlock Switch RH (With Rear Power Vent Windows)

INFOID:000000004278523

Terminal	Wire Color	Item	Condition	Voltage (V) (Approx.)
3	W/B	Limit switch and encoder ground	—	0
4	G/R	Encoder power supply	Ignition switch ON or power window timer operates	10
8	L	Front power window motor RH UP signal	Front power window motor RH is operated UP	Battery voltage
9	G	Front power window motor RH DOWN signal	Front power window motor RH is operated DOWN	Battery voltage
10	W/R	Battery power supply	—	Battery voltage
11	B	Ground	—	0

# POWER WINDOW SYSTEM

## < SERVICE INFORMATION >

Terminal	Wire Color	Item	Condition	Voltage (V) (Approx.)
12	G/Y	Encoder pulse signal	Front power window motor RH operates	
15	G/W	Limit switch signal	Front door window RH is between fully-open and just before fully-closed position (ON)	0
			Front door window RH is between just before fully-closed position and fully-closed position (OFF)	5
16	Y/B	Power window serial link	Ignition switch is ON or power window timer operating	

### Terminal and Reference Value for BCM (With Rear Power Vent Windows) INFOID:000000004278524

Refer to [BCS-11. "Terminal and Reference Value for BCM"](#).

### Work Flow INFOID:000000004278525

1. Check the symptom and customer's requests.
2. Understand the outline of system. Refer to [GW-17. "System Description"](#).
3. According to the trouble diagnosis chart, repair or replace the cause of the malfunction. Refer to [GW-36. "Symptom Chart \(Without Rear Power Vent Windows\)"](#) or [GW-37. "Symptom Chart \(With Rear Power Vent Windows\)"](#).
4. Does power window system operate normally? Yes, GO TO 5, If No, GO TO 3.
5. Inspection End.

### CONSULT-III Function (BCM) INFOID:000000004278526

CONSULT-III can display each diagnostic item using the diagnostic test modes shown following.

BCM diagnostic test item	Diagnostic mode	Content
Inspection by part	WORK SUPPORT	Supports inspections and adjustments. Commands are transmitted to the BCM for setting the status suitable for required operation, input/output signals are received from the BCM and received data is displayed.
	DATA MONITOR	Displays BCM input/output data in real time.
	ACTIVE TEST	Operation of electrical loads can be checked by sending drive signal to them.
	SELF-DIAG RESULTS	Displays BCM self-diagnosis results.
	CAN DIAG SUPPORT MNTR	The results of transmit/receive diagnosis of CAN communication can be read.
	ECU PART NUMBER	BCM part number can be read.
	CONFIGURATION	Performs BCM configuration read/write functions.

### ACTIVE TEST

# POWER WINDOW SYSTEM

## < SERVICE INFORMATION >

Test Item	Description
RETAINED PWR	<p>This test is able to supply RAP signal (power) from BCM (body control module) to power window system and power sunroof system (if equipped). Those systems can be operated when turning on "RETAINED PWR" on CONSULT-III screen even if the ignition switch is turned OFF.</p> <p><b>NOTE:</b> During this test, CONSULT-III can be operated with ignition switch in OFF position. "RETAINED PWR" should be turned "ON" or "OFF" on CONSULT-III screen when ignition switch is ON. Then turn ignition switch OFF to check retained power operation. CONSULT-III might be stuck if "RETAINED PWR" is turned "ON" or "OFF" on CONSULT-III screen when ignition switch is OFF.</p>

## WORK SUPPORT

Work item	Description
RETAINED PWR	<p>RAP signal's power supply period can be changed by mode setting. Selects RAP signal's power supply period between three steps</p> <ul style="list-style-type: none"> <li>• MODE1 (45 sec.) / MODE2 (OFF) / MODE3 (2 min.).</li> </ul>

## DATA MONITOR

Work item	Description
IGN ON SW	Indicates (ON/OFF) condition of ignition switch
DOOR SW-DR	Indicates (ON/OFF) condition of front door switch driver side
DOOR SW-AS	Indicates (ON/OFF) condition of front door switch passenger side

## Symptom Chart (Without Rear Power Vent Windows)

INFOID:000000004278527

- Check that other systems using the signal of the following systems operate normally.

Symptom	Repair order	Refer to page
None of the power windows can be operated using any switch	1. BCM power supply and ground circuit check	<a href="#">BCS-15</a>
	2. Main power window and door lock/unlock supply and ground circuit check	<a href="#">GW-38</a>
	3. Power window serial link check	<a href="#">GW-60</a>
Front power window LH alone does not operate	1. Front power window motor LH circuit check	<a href="#">GW-42</a>
	2. Replace main power window and door lock/unlock switch	<a href="#">EI-29</a>
Front power window RH alone does not operate	1. Power window and door lock/unlock switch RH power and ground circuit check	<a href="#">GW-40</a>
	2. Power window serial link check	<a href="#">GW-60</a>
	3. Front power window motor RH circuit check	<a href="#">GW-42</a>
	4. Replace BCM	<a href="#">BCS-17</a>
Anti-pinch system does not operate normally (front LH)	1. Door window sliding part malfunction <ul style="list-style-type: none"> <li>• A foreign material adheres to window glass or glass run rubber.</li> <li>• Glass run rubber wear or deformation.</li> <li>• Sash is tilted too much, or not enough.</li> </ul>	—
	2. Limit switch adjusting	<a href="#">GW-67</a>
	3. Limit switch circuit check LH	<a href="#">GW-43</a>
	4. Encoder circuit check LH	<a href="#">GW-50</a>

# POWER WINDOW SYSTEM

## < SERVICE INFORMATION >

Symptom	Repair order	Refer to page
Anti-pinch system does not operate normally (front RH)	1. Door window sliding part malfunction • A foreign material adheres to window glass or glass run rubber. • Glass run rubber wear or deformation. • Sash is tilted too much, or not enough.	—
	2. Limit switch adjusting	<a href="#">GW-67</a>
	3. Limit switch circuit check RH	<a href="#">GW-47</a>
	4. Encoder circuit check RH	<a href="#">GW-54</a>
Power window retained power operation does not operate properly	1. Check the retained power operation mode setting.	<a href="#">GW-35</a>
	2. Door switch check	<a href="#">GW-56</a>
	3. Replace BCM.	<a href="#">BCS-17</a>
Front power windows do not operate by front door lock assembly LH (key cylinder switch)	1. Front door lock assembly LH (key cylinder switch) check	<a href="#">GW-57</a>
	2. Replace main power window and door lock/unlock switch	<a href="#">EI-29</a>
Power window lock switch does not function	1. Power window lock switch circuit check	<a href="#">GW-60</a>

## Symptom Chart (With Rear Power Vent Windows)

INFOID:000000004278528

- Check that other systems using the signal of the following systems operate normally.

Symptom	Repair order	Refer to page
None of the power windows can be operated using any switch	1. BCM power supply and ground circuit check	<a href="#">BCS-15</a>
	2. Main power window and door lock/unlock supply and ground circuit check	<a href="#">GW-39</a>
	3. Power window serial link check	<a href="#">GW-60</a>
Front power window LH alone does not operate	1. Front power window motor LH circuit check	<a href="#">GW-42</a>
	2. Replace main power window and door lock/unlock switch	<a href="#">EI-29</a>
Front power window RH alone does not operate	1. Power window and door lock/unlock switch RH power and ground circuit check	<a href="#">GW-40</a>
	2. Power window serial link check	<a href="#">GW-62</a>
	3. Front power window motor RH circuit check	<a href="#">GW-42</a>
	4. Replace BCM	<a href="#">BCS-17</a>
Rear power vent window LH alone does not operate	1. Rear power vent window motor LH circuit check	<a href="#">GW-64</a>
Rear power vent window RH alone does not operate	1. Rear power vent window motor RH circuit check	<a href="#">GW-65</a>
Anti-pinch system does not operate normally (front LH)	1. Door window sliding part malfunction • A foreign material adheres to window glass or glass run rubber. • Glass run rubber wear or deformation. • Sash is tilted too much, or not enough.	—
	2. Limit switch adjusting	<a href="#">GW-67</a>
	3. Limit switch circuit check LH	<a href="#">GW-45</a>
	4. Encoder circuit check LH	<a href="#">GW-50</a>

# POWER WINDOW SYSTEM

## < SERVICE INFORMATION >

Symptom	Repair order	Refer to page
Anti-pinch system does not operate normally (front RH)	1. Door window sliding part malfunction <ul style="list-style-type: none"> <li>• A foreign material adheres to window glass or glass run rubber.</li> <li>• Glass run rubber wear or deformation.</li> <li>• Sash is tilted too much, or not enough.</li> </ul>	—
	2. Limit switch adjusting	<a href="#">GW-67</a>
	3. Limit switch circuit check RH	<a href="#">GW-47</a>
	4. Encoder circuit check RH	<a href="#">GW-54</a>
Power window retained power operation does not operate properly	1. Check the retained power operation mode setting.	<a href="#">GW-35</a>
	2. Door switch check	<a href="#">GW-56</a>
	3. Replace BCM.	<a href="#">BCS-17</a>
Front power windows do not operate by front door lock assembly LH (key cylinder switch)	1. Front door lock assembly LH (key cylinder switch) check	<a href="#">GW-59</a>
	2. Replace main power window and door lock/unlock switch	<a href="#">EI-29</a>
Power window lock switch does not function	1. Power window lock switch circuit check	<a href="#">GW-62</a>

## BCM Power Supply and Ground Circuit Inspection

INFOID:000000004278529

Refer to [BCS-15. "BCM Power Supply and Ground Circuit Inspection"](#).

## Main Power Window and Door Lock/Unlock Switch Power Supply Circuit Inspection (Without Rear Power Vent Windows)

INFOID:000000004278530

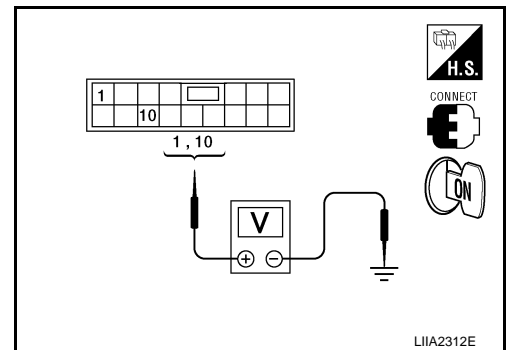
### 1. CHECK POWER SUPPLY CIRCUIT

1. Turn ignition switch ON.
2. Check voltage between main power window and door lock/unlock switch connector D7 terminals 1, 10 and ground.

**10 - Ground : Battery voltage**  
**1 - Ground : Battery voltage**

#### OK or NG

- OK >> GO TO 2.  
 NG >> Repair or replace harness.



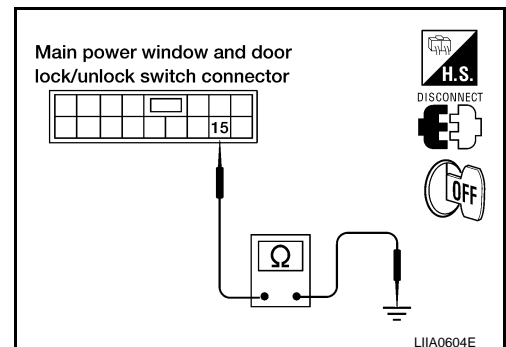
### 2. CHECK GROUND CIRCUIT

1. Turn ignition switch OFF.
2. Disconnect main power window and door lock/unlock switch.
3. Check continuity between main power window and door lock/unlock switch connector D7 terminal 15 and ground.

**15 - Ground : Continuity should exist.**

#### OK or NG

- OK >> GO TO 3.  
 NG >> Repair or replace harness.



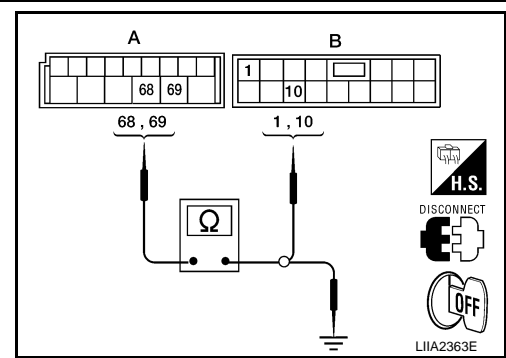
### 3. CHECK MAIN POWER WINDOW AND DOOR LOCK/UNLOCK SWITCH POWER SUPPLY CIRCUIT

# POWER WINDOW SYSTEM

## < SERVICE INFORMATION >

1. Disconnect BCM and main power window and door lock/unlock switch.
2. Check continuity between BCM connector and main power window and door lock/unlock switch connector.

Connector	Terminal	Connector	Terminal	Continuity
A		B		
BCM: M20	68	Main power window and door lock/unlock switch: D7	10	Yes
	69		1	Yes



3. Check continuity between BCM and ground.

Connector	Terminal	Ground	Continuity
A			
BCM: M20	68	Ground	No
	69		No

### OK or NG

- OK >> GO TO 4.  
 NG >> Repair or replace harness.

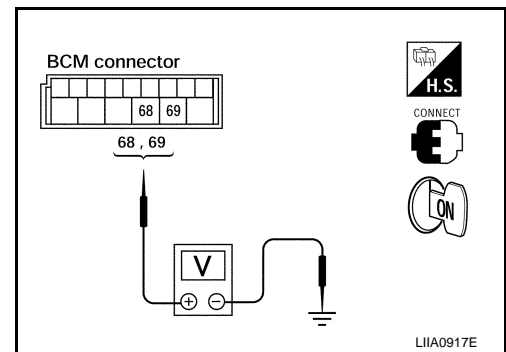
## 4. CHECK BCM OUTPUT SIGNAL

1. Connect BCM.
2. Turn ignition switch ON.
3. Check voltage between BCM connector M20 terminals 68, 69 and ground.

**68 - Ground : Battery voltage**  
**69 - Ground : Battery voltage**

### OK or NG

- OK >> Check the condition of the harness and the connector.  
 NG >> Replace BCM. Refer to [BCS-17. "Removal and Installation of BCM"](#).



## Main Power Window and Door Lock/Unlock Switch Power Supply Circuit Inspection (With Rear Power Vent Windows)

INFOID:000000004278531

## 1. CHECK POWER SUPPLY CIRCUIT

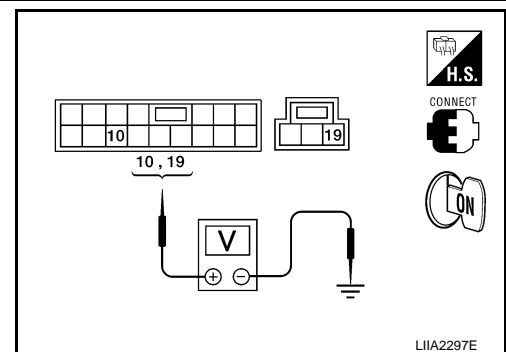
1. Turn ignition switch ON.
2. Check voltage between main power window and door lock/unlock switch connector D7 terminal 10, D8 terminal 19 and ground.

**10 - Ground : Battery voltage**  
**19 - Ground : Battery voltage**

### OK or NG

- OK >> GO TO 2.  
 NG >> Repair or replace harness.

## 2. CHECK GROUND CIRCUIT



# POWER WINDOW SYSTEM

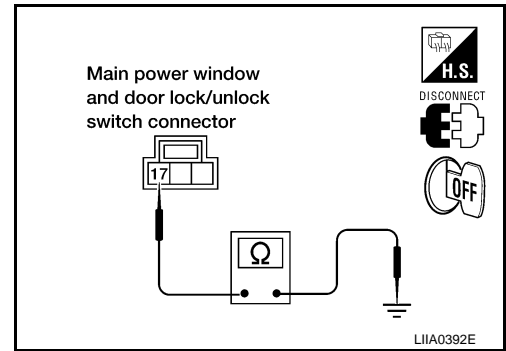
## < SERVICE INFORMATION >

1. Turn ignition switch OFF.
2. Disconnect main power window and door lock/unlock switch.
3. Check continuity between main power window and door lock/unlock switch connector D8 terminal 17 and ground.

**17 - Ground : Continuity should exist.**

### OK or NG

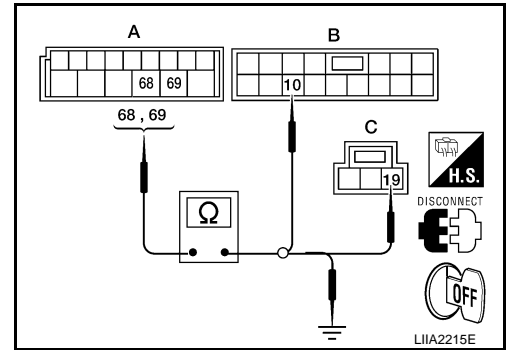
- OK >> GO TO 3.  
 NG >> Repair or replace harness.



## 3.CHECK MAIN POWER WINDOW AND DOOR LOCK/UNLOCK SWITCH POWER SUPPLY CIRCUIT

1. Disconnect BCM and main power window and door lock/unlock switch.
2. Check continuity between BCM connector and main power window and door lock/unlock switch connectors.

Connector	Terminal	Connector	Terminal	Continuity
A		B		
BCM: M20	68	Main power window and door lock/unlock switch: D7	10	Yes
	69	Main power window and door lock/unlock switch: D8	19	Yes



3. Check continuity between BCM and ground.

Connector	Terminal	Ground	Continuity
A			
BCM: M20	68	Ground	No
	69		No

### OK or NG

- OK >> GO TO 4.  
 NG >> Repair or replace harness.

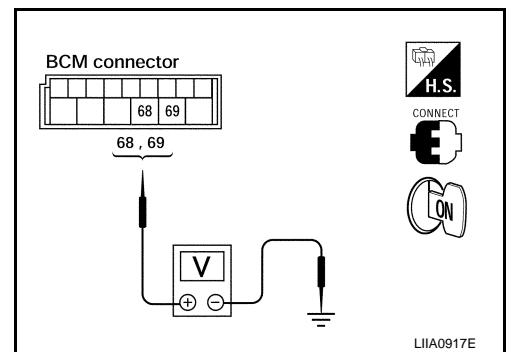
## 4.CHECK BCM OUTPUT SIGNAL

1. Connect BCM.
2. Turn ignition switch ON.
3. Check voltage between BCM connector M20 terminals 68, 69 and ground.

**68 - Ground : Battery voltage**  
**69 - Ground : Battery voltage**

### OK or NG

- OK >> Check the condition of the harness and the connector.  
 NG >> Replace BCM. Refer to [BCS-17, "Removal and Installation of BCM"](#).



## Power Window and Door Lock/Unlock Switch RH Power Supply and Ground Circuit Inspection

INFOID:000000004278532

## 1.CHECK POWER SUPPLY CIRCUIT



# POWER WINDOW SYSTEM

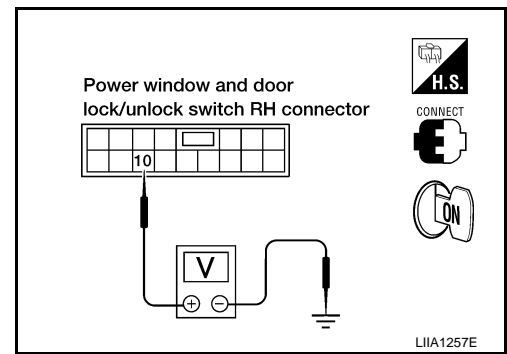
## < SERVICE INFORMATION >

1. Turn ignition switch ON.
2. Check voltage between power window and door lock/unlock switch RH connector D105 terminal 10 and ground.

**10 - Ground : Battery voltage**

### OK or NG

- OK >> GO TO 2.  
 NG >> Repair or replace harness.



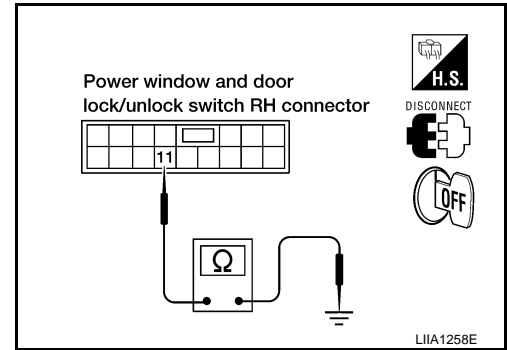
## 2. CHECK GROUND CIRCUIT

1. Turn ignition switch OFF.
2. Disconnect power window and door lock/unlock switch RH.
3. Check continuity between power window and door lock/unlock switch RH connector D105 terminal 11 and ground.

**11 - Ground : Continuity should exist.**

### OK or NG

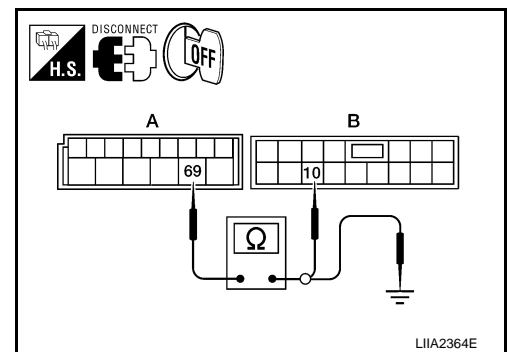
- OK >> GO TO 3.  
 NG >> Repair or replace harness.



## 3. CHECK POWER WINDOW AND DOOR LOCK/UNLOCK SWITCH RH POWER SUPPLY CIRCUIT

1. Disconnect BCM and power window and door lock/unlock switch RH.
2. Check continuity between BCM connector and power window and door lock/unlock switch RH connectors.

Connector	Terminal	Connector	Terminal	Continuity
A		B		
BCM: M20	69	Power window and door lock/unlock switch RH: D105	10	Yes



3. Check continuity between BCM and ground.

Connector	Terminal	Ground	Continuity
A			
BCM: M20	69		No

### OK or NG

- OK >> GO TO 4.  
 NG >> Repair or replace harness.

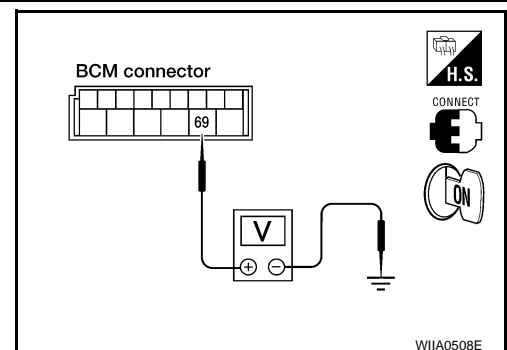
## 4. CHECK BCM OUTPUT SIGNAL

1. Connect BCM.
2. Turn ignition switch ON.
3. Check voltage between BCM connector M20 terminal 69 and ground.

**69 - Ground : Battery voltage**

### OK or NG

- OK >> Check the condition of the harness and the connector  
 NG >> Replace BCM. Refer to [BCS-17. "Removal and Installation of BCM"](#).



A  
B  
C  
D  
E  
F  
G  
H  
J  
K  
L  
M  
N  
O  
P

GW

# POWER WINDOW SYSTEM

< SERVICE INFORMATION >

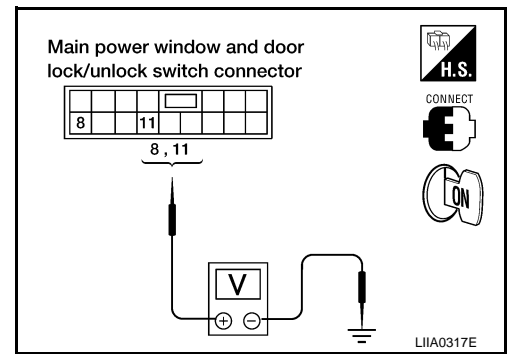
## Front Power Window Motor LH Circuit Inspection

INFOID:000000004278533

### 1. CHECK MAIN POWER WINDOW AND DOOR LOCK/UNLOCK SWITCH OUTPUT SIGNAL

1. Turn ignition switch ON.
2. Check voltage between main power window and door lock/unlock switch connector D7 terminals 8, 11 and ground.

Connector	Terminals		Condition	Voltage (V) (Approx.)
	(+)	(-)		
D7	8	Ground	Closing	Battery voltage
			Opening	0
	11		Closing	0
			Opening	Battery voltage



**OK or NG**

OK >> GO TO 2.

NG >> Replace main power window and door lock/unlock switch. Refer to [EI-29, "Removal and Installation"](#).

### 2. CHECK POWER WINDOW MOTOR CIRCUIT

1. Turn ignition switch OFF.
2. Disconnect main power window and door lock/unlock switch and front power window motor LH.
3. Check continuity between main power window and door lock/unlock switch connector D7 terminals 8, 11 and front power window motor LH connector D9 terminals 1, 2.

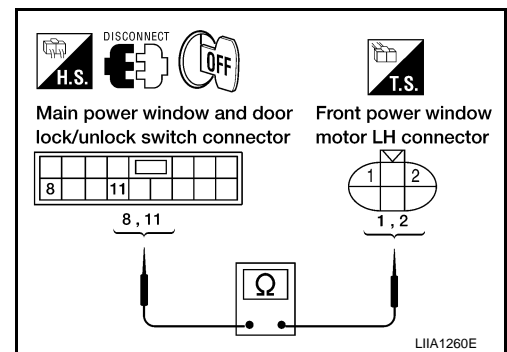
**8 - 2 : Continuity should exist.**

**11 - 1 : Continuity should exist.**

**OK or NG**

OK >> Replace front power window motor LH. Refer to [GW-67, "Removal and Installation"](#).

NG >> Repair or replace harness.



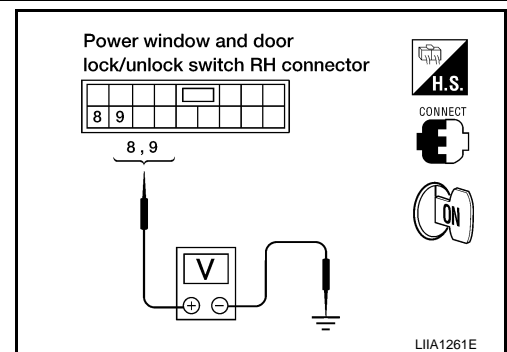
## Front Power Window Motor RH Circuit Inspection

INFOID:000000004278534

### 1. CHECK POWER WINDOW AND DOOR LOCK/UNLOCK SWITCH RH OUTPUT SIGNAL

1. Connect power window and door lock/unlock switch RH.
2. Turn ignition switch ON.
3. Check voltage between power window and door lock/unlock switch RH connector D105 terminals 8, 9 and ground.

Connector	Terminals		Condition	Voltage (V) (Approx.)
	(+)	(-)		
D105	8	Ground	Closing	Battery voltage
			Opening	0
	9		Closing	0
			Opening	Battery voltage



**OK or NG**

OK >> GO TO 2.

NG >> Replace power window and door lock/unlock switch RH. Refer to [EI-29, "Removal and Installation"](#).

### 2. CHECK FRONT POWER WINDOW MOTOR RH CIRCUIT

# POWER WINDOW SYSTEM

## < SERVICE INFORMATION >

1. Turn ignition switch OFF.
2. Disconnect front power window motor RH and power window and door lock/unlock switch RH.
3. Check continuity between power window and door lock/unlock switch RH (A) connector D105 terminals 8, 9 and front power window motor RH (B) connector D104 terminals 1, 2.

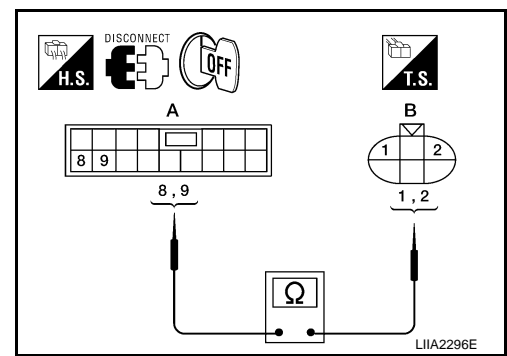
**8 - 2 : Continuity should exist.**

**9 - 1 : Continuity should exist.**

### OK or NG

OK >> Replace front power window motor RH. Refer to [GW-67, "Removal and Installation"](#).

NG >> Repair or replace harness.



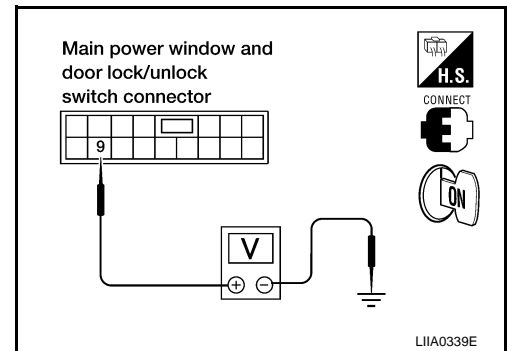
## Limit Switch Circuit Inspection Front LH (Without Rear Power Vent Windows)

INFOID:000000004278535

### 1. CHECK MAIN POWER WINDOW AND DOOR LOCK/UNLOCK SWITCH LIMIT SIGNAL

1. Turn ignition switch ON.
2. Check voltage between main power window and door lock/unlock switch connector D7 terminal 9 and ground.

Connector	Terminals		Condition	Voltage (V) (Approx.)
	(+)	(-)		
D7	9	Ground	Front door window LH is between fully-open and just before fully-closed position (ON)	0
			Front door window LH is between just before fully-closed position and fully-closed position (OFF)	5



### OK or NG

OK >> Limit switch circuit is OK.

NG >> GO TO 2.

### 2. CHECK LIMIT SWITCH GROUND CIRCUIT

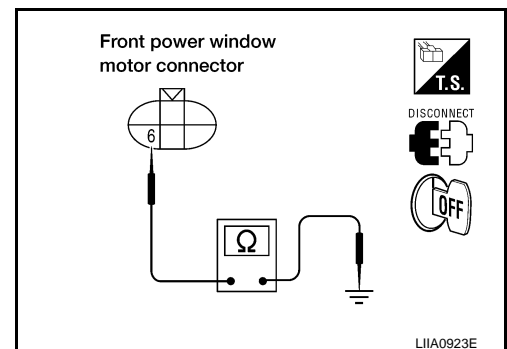
1. Turn ignition switch OFF.
2. Disconnect front power window motor LH.
3. Check continuity between front power window motor LH connector D9 terminal 6 and ground.

**6 - Ground : Continuity should exist.**

### OK or NG

OK >> Replace front power window motor LH. Refer to [GW-67, "Removal and Installation"](#).

NG >> GO TO 3.



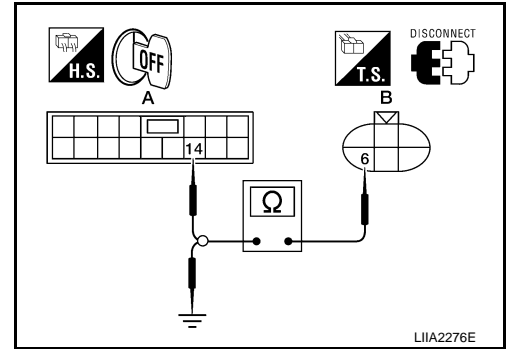
### 3. CHECK HARNESS CONTINUITY

# POWER WINDOW SYSTEM

## < SERVICE INFORMATION >

1. Disconnect main power window and door lock/unlock switch.
2. Check continuity between main power window and door lock/unlock switch connector and front power window motor LH connector.

Connector	Terminal	Connector	Terminal	Continuity
A		B		
Main power window and door lock/unlock switch: D7	14	Front power window motor LH: D9	6	Yes



3. Check continuity between front power window motor LH connector and ground.

Connector	Terminal	Ground	Continuity
B			
Front power window motor LH: D9	6		No

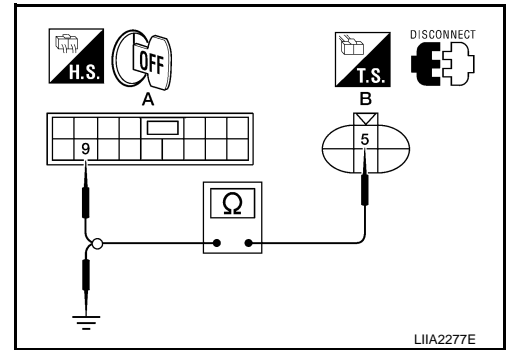
### OK or NG

- OK >> GO TO 4.  
 NG >> Repair or replace harness.

## 4. CHECK HARNESS CONTINUITY

1. Check continuity between main power window and door lock/unlock switch connector and front power window motor LH connector.

Connector	Terminal	Connector	Terminal	Continuity
A		B		
Main power window and door lock/unlock switch: D7	9	Front power window motor LH: D9	5	Yes



2. Check continuity between front power window motor LH connector and ground.

Connector	Terminal	Ground	Continuity
B			
Front power window motor LH: D9	5		No

### OK or NG

- OK >> GO TO 5.  
 NG >> Repair or replace harness.

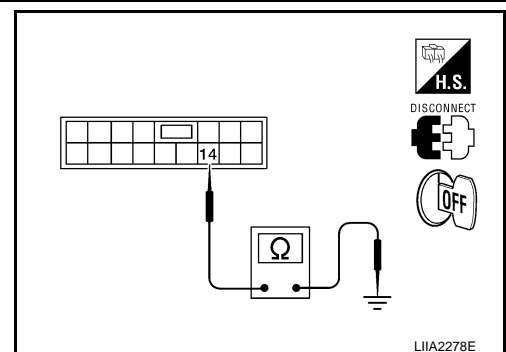
## 5. CHECK LIMIT SWITCH GROUND

Check continuity between main power window and door lock/unlock switch connector and ground.

Connector	Terminal	Ground	Continuity
Main power window door lock/unlock switch: D7	14		Yes

### OK or NG

- OK >> GO TO 7.  
 NG >> GO TO 6.



# POWER WINDOW SYSTEM

< SERVICE INFORMATION >

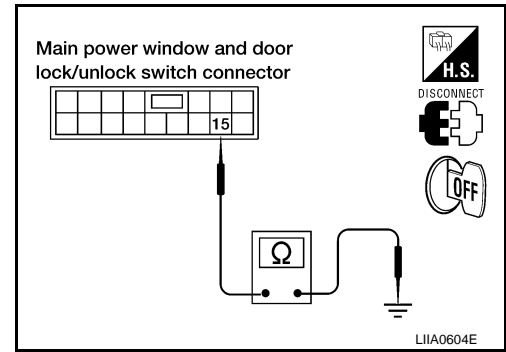
## 6. CHECK MAIN POWER WINDOW AND DOOR LOCK/UNLOCK SWITCH GROUND CIRCUIT

Check continuity between main power window and door lock/unlock switch connector D7 terminal 15 and ground.

**15 - Ground : Continuity should exist.**

**OK or NG**

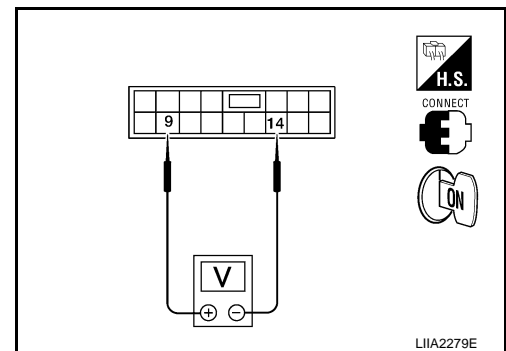
- OK >> Replace main power window and door lock/unlock switch. Refer to [EI-29, "Removal and Installation"](#).
- NG >> Repair or replace harness.



## 7. CHECK FRONT POWER WINDOW MOTOR LH LIMIT SIGNAL

1. Connect main power window and door lock/unlock switch and front power window motor LH.
2. Turn ignition switch ON.
3. Check voltage between main power window and door lock/unlock switch connector.

Connector	Terminals		Condition	Voltage (V) (Approx.)
	(+)	(-)		
Main power window and door lock/unlock switch: D7	9	14	Front door window LH is between fully-open and just before fully-closed position (ON)	0
			Front door window LH is between just before fully-closed position and fully-closed position (OFF)	5



**OK or NG**

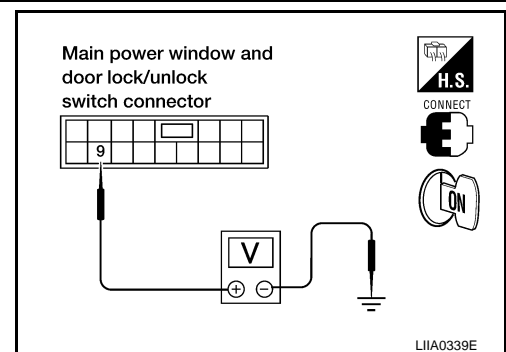
- OK >> Check the condition of the harness and connector.
- NG >> Replace front power window motor LH. Refer to [GW-67, "Removal and Installation"](#).

## Limit Switch Circuit Inspection Front LH (With Rear Power Vent Windows) INFOID:000000004278536

### 1. CHECK MAIN POWER WINDOW AND DOOR LOCK/UNLOCK SWITCH LIMIT SIGNAL

1. Turn ignition switch ON.
2. Check voltage between main power window and door lock/unlock switch connector D7 terminal 9 and ground.

Connector	Terminals		Condition	Voltage (V) (Approx.)
	(+)	(-)		
D7	9	Ground	Front door window LH is between fully-open and just before fully-closed position (ON)	0
			Front door window LH is between just before fully-closed position and fully-closed position (OFF)	5



**OK or NG**

- OK >> Limit switch circuit is OK.
- NG >> GO TO 2.

### 2. CHECK LIMIT SWITCH GROUND CIRCUIT

# POWER WINDOW SYSTEM

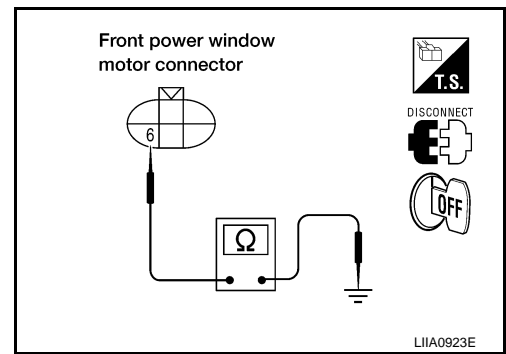
## < SERVICE INFORMATION >

1. Turn ignition switch OFF.
2. Disconnect front power window motor LH.
3. Check continuity between front power window motor LH connector D9 terminal 6 and ground.

**6 - Ground : Continuity should exist.**

### OK or NG

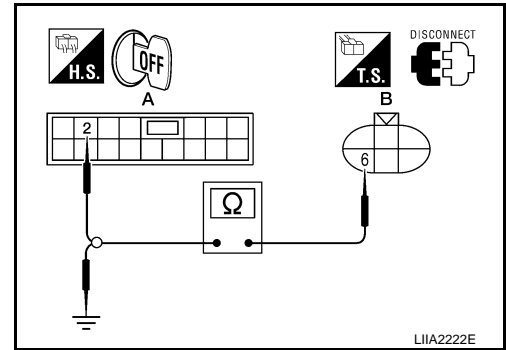
- OK >> Replace front power window motor LH. Refer to [GW-67, "Removal and Installation"](#).
- NG >> GO TO 3.



## 3. CHECK HARNESS CONTINUITY

1. Disconnect main power window and door lock/unlock switch.
2. Check continuity between main power window and door lock/unlock switch connector and front power window motor LH connector.

Connector	Terminal	Connector	Terminal	Continuity
A		B		
Main power window and door lock/unlock switch: D7	2	Front power window motor LH: D9	6	Yes



3. Check continuity between front power window motor LH connector and ground.

Connector	Terminal	Ground	Continuity
B			
Front power window motor LH: D9	6	Ground	No

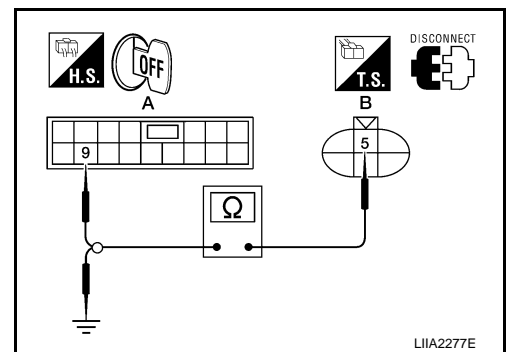
### OK or NG

- OK >> GO TO 4.
- NG >> Repair or replace harness.

## 4. CHECK HARNESS CONTINUITY

1. Check continuity between main power window and door lock/unlock switch connector and front power window motor LH connector.

Connector	Terminal	Connector	Terminal	Continuity
A		B		
Main power window and door lock/unlock switch: D7	9	Front power window motor LH: D9	5	Yes



2. Check continuity between front power window motor LH connector and ground.

Connector	Terminal	Ground	Continuity
B			
Front power window motor LH: D9	5	Ground	No

### OK or NG

- OK >> GO TO 5.
- NG >> Repair or replace harness.

# POWER WINDOW SYSTEM

## < SERVICE INFORMATION >

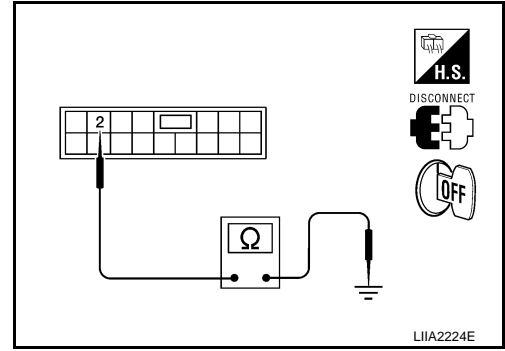
### 5. CHECK LIMIT SWITCH GROUND

Check continuity between main power window and door lock/unlock switch connector and ground.

Connector	Terminal	Ground	Continuity
Main power window door lock/unlock switch: D7	2	Ground	Yes

#### OK or NG

- OK >> GO TO 7.
- NG >> GO TO 6.



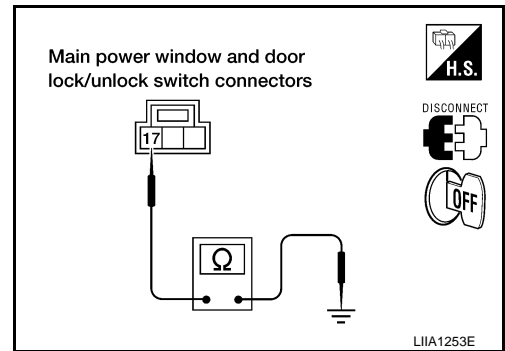
### 6. CHECK MAIN POWER WINDOW AND DOOR LOCK/UNLOCK SWITCH GROUND CIRCUIT

Check continuity between main power window and door lock/unlock switch connector D8 terminal 17 and ground.

**17 - Ground : Continuity should exist.**

#### OK or NG

- OK >> Replace main power window and door lock/unlock switch. Refer to [EI-29. "Removal and Installation"](#).
- NG >> Repair or replace harness.



### 7. CHECK FRONT POWER WINDOW MOTOR LH LIMIT SIGNAL

1. Connect main power window and door lock/unlock switch and front power window motor LH.
2. Turn ignition switch ON.
3. Check voltage between main power window and door lock/unlock switch connector.

Connector	Terminals		Condition	Voltage (V) (Approx.)
	(+)	(-)		
Main power window and door lock/unlock switch: D7	9	2	Front door window LH is between fully-open and just before fully-closed position (ON)	0
			Front door window LH is between just before fully-closed position and fully-closed position (OFF)	5

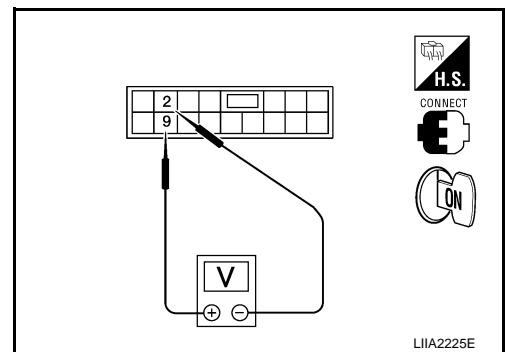
#### OK or NG

- OK >> Check the condition of the harness and connector.
- NG >> Replace front power window motor LH. Refer to [GW-67. "Removal and Installation"](#).

### Limit Switch Circuit Inspection Front RH

INFOID:000000004278537

### 1. CHECK POWER WINDOW AND DOOR LOCK/UNLOCK SWITCH RH LIMIT SIGNAL

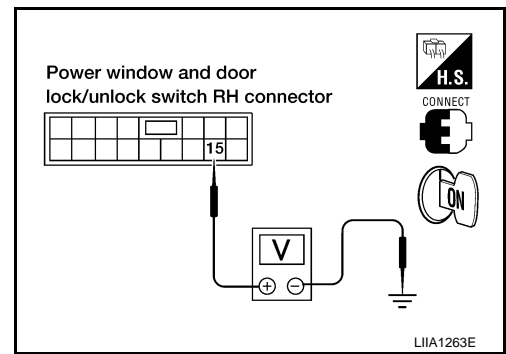


# POWER WINDOW SYSTEM

## < SERVICE INFORMATION >

1. Turn ignition switch ON.
2. Check voltage between power window motor RH connector D105 terminal 15 and ground.

Connector	Terminals		Condition	Voltage (V) (Approx.)
	(+)	(-)		
D105	15	Ground	Front door window RH is between fully-open and just before fully-closed position (ON)	0
			Front door window RH is between just before fully-closed position and fully-closed position (OFF)	5



### OK or NG

- OK >> Limit switch circuit is OK.  
 NG >> GO TO 2.

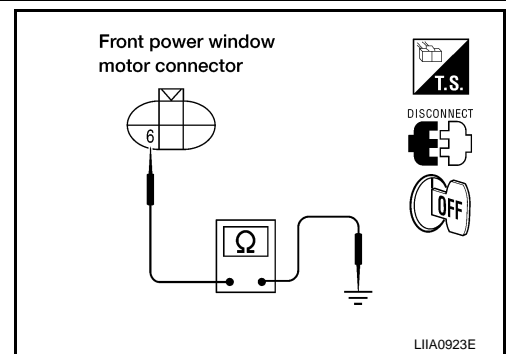
## 2.CHECK LIMIT SWITCH GROUND CIRCUIT

1. Turn ignition switch OFF.
2. Disconnect front power window motor RH.
3. Check continuity between front power window motor RH connector D104 terminal 6 and ground.

**6 - Ground : Continuity should exist.**

### OK or NG

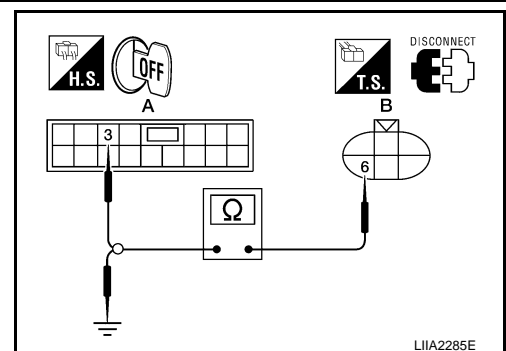
- OK >> Replace front power window motor RH. Refer to [GW-67, "Removal and Installation"](#).  
 NG >> GO TO 3.



## 3.CHECK HARNESS CONTINUITY

1. Disconnect power window and door lock/unlock switch RH.
2. Check continuity between power window and door lock/unlock switch RH connector and front power window motor RH connector.

Connector	Terminal	Connector	Terminal	Continuity
A		B		
Power window and door lock/unlock switch RH: D105	3	Front power window motor RH: D104	6	Yes



3. Check continuity between front power window motor RH connector and ground.

Connector	Terminal	Ground	Continuity
B			
Front power window motor RH: D104	6		No

### OK or NG

- OK >> GO TO 4.  
 NG >> Repair or replace harness.

## 4.CHECK HARNESS CONTINUITY

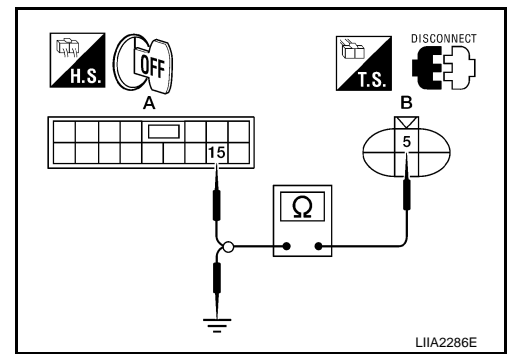


# POWER WINDOW SYSTEM

## < SERVICE INFORMATION >

1. Check continuity between power window and door lock/unlock switch RH connector and front power window motor RH connector.

Connector	Terminal	Connector	Terminal	Continuity
A		B		
Power window and door lock/unlock switch RH: D105	15	Front power window motor RH: D104	5	Yes



2. Check continuity between front power window motor RH connector and ground.

Connector	Terminal	Ground	Continuity
B			
Front power window motor RH: D104	5		No

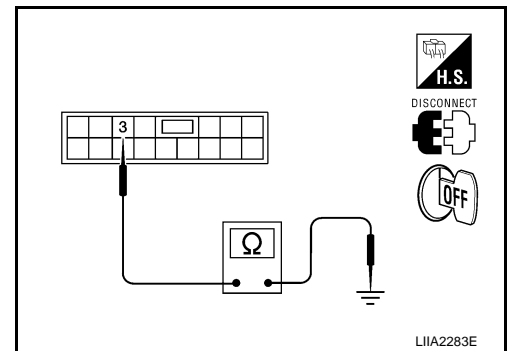
### OK or NG

- OK >> GO TO 5.
- NG >> Repair or replace harness.

## 5.CHECK LIMIT SWITCH GROUND

Check continuity between power window and door lock/unlock switch RH connector and ground.

Connector	Terminal	Ground	Continuity
Power window door lock/unlock switch RH: D105	3		Yes



### OK or NG

- OK >> GO TO 7.
- NG >> GO TO 6.

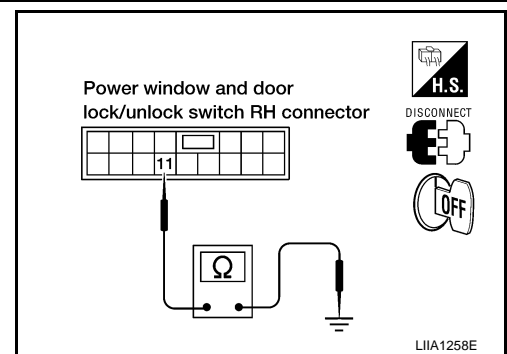
## 6.CHECK POWER WINDOW AND DOOR LOCK/UNLOCK SWITCH RH GROUND CIRCUIT

Check continuity between power window and door lock/unlock switch RH connector D105 terminal 11 and ground.

**11 - Ground : Continuity should exist.**

### OK or NG

- OK >> Replace power window and door lock/unlock switch RH. Refer to [EI-29. "Removal and Installation"](#).
- NG >> Repair or replace harness.



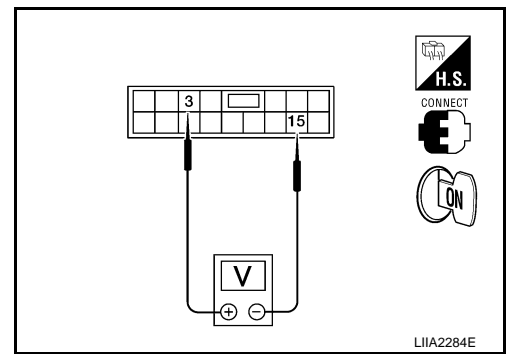
## 7.CHECK FRONT POWER WINDOW MOTOR RH LIMIT SIGNAL

# POWER WINDOW SYSTEM

## < SERVICE INFORMATION >

1. Connect power window and door lock/unlock switch RH and front power window motor RH.
2. Turn ignition switch ON.
3. Check voltage between power window and door lock/unlock switch RH connector.

Connector	Terminals		Condition	Voltage (V) (Approx.)
	(+)	(-)		
Power window and door lock/unlock switch RH: D105	15	3	Front door window RH is between fully-open and just before fully-closed position (ON)	0
			Front door window RH is between just before fully-closed position and fully-closed position (OFF)	5



### OK or NG

- OK >> Check the condition of the harness and connector.  
 NG >> Replace front power window motor RH. Refer to [GW-67, "Removal and Installation"](#).

## Encoder Circuit Inspection Front LH (Without Rear Power Vent Windows)

INFOID:000000004278538

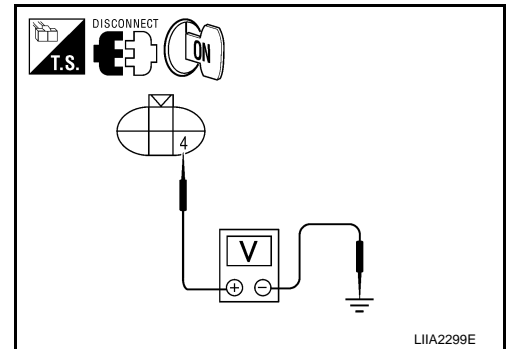
### 1. CHECK FRONT POWER WINDOW MOTOR LH POWER SUPPLY

1. Turn ignition switch OFF.
2. Disconnect front power window motor LH.
3. Turn ignition switch ON.
4. Check voltage between front power window motor LH connector D9 terminal 4 and ground.

**4 - Ground : Approx. 10V**

### OK or NG

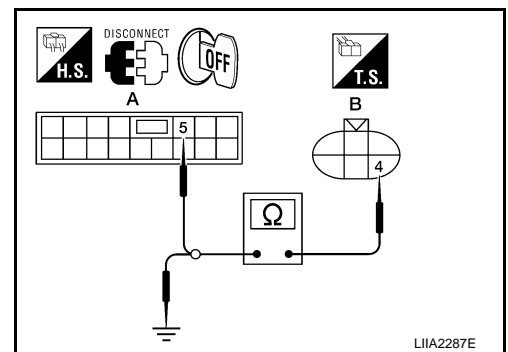
- OK >> GO TO 3.  
 NG >> GO TO 2.



### 2. CHECK HARNESS CONTINUITY

1. Turn ignition switch OFF.
2. Disconnect main power window and door lock/unlock switch.
3. Check continuity between front power window motor LH connector and main power window and door lock/unlock switch connector.

Connector	Terminal	Connector	Terminal	Continuity
A		B		
Main power window and door lock/unlock switch: D7	5	Front power window motor LH: D9	4	Yes



4. Check continuity between front power window motor LH connector and ground.

Connector	Terminal	Ground	Continuity
B			
Front power window motor LH: D9	4		No

### OK or NG

- OK >> Replace main power window and door lock/unlock switch. Refer to [EI-29, "Removal and Installation"](#).

# POWER WINDOW SYSTEM

## < SERVICE INFORMATION >

NG >> Repair or replace harness.

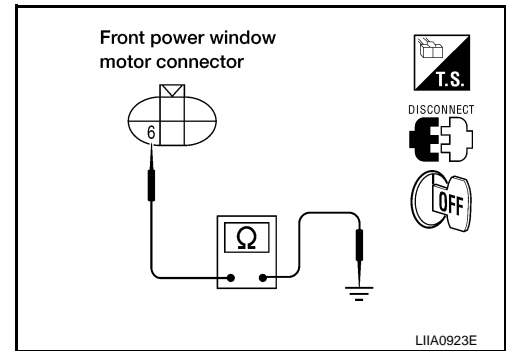
### 3. CHECK ENCODER GROUND

1. Turn ignition switch OFF.
2. Disconnect front power window motor LH.
3. Check continuity between front power window motor LH connector D9 terminal 6 and ground.

**6 - Ground : Continuity should exist.**

#### OK or NG

OK >> GO TO 5.  
NG >> GO TO 4.



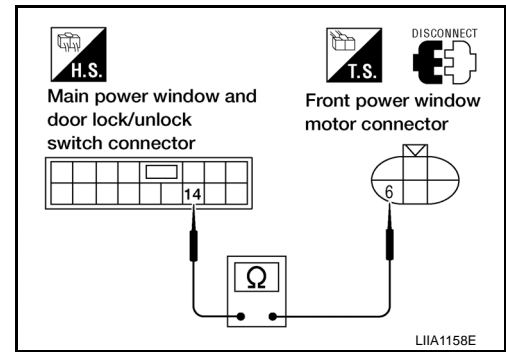
### 4. CHECK ENCODER GROUND CIRCUIT

1. Disconnect main power window and door lock/unlock switch.
2. Check continuity between front power window motor LH connector D9 terminal 6 and main power window and door lock/unlock switch connector D7 terminal 14.

**6 - 14 : Continuity should exist.**

#### OK or NG

OK >> Replace main power window and door lock/unlock switch. Refer to [EI-29, "Removal and Installation"](#).  
NG >> Repair or replace harness.



### 5. CHECK ENCODER SIGNAL

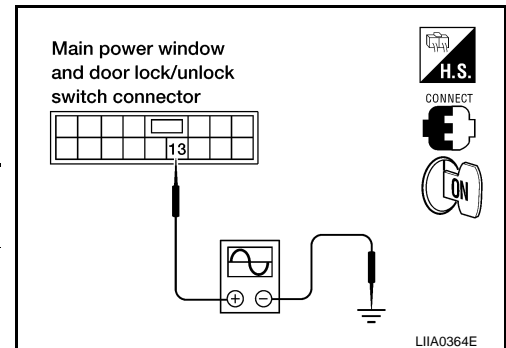
1. Connect front power window motor LH.
2. Turn ignition switch ON.
3. Check the signal between main power window and door lock/unlock switch connector and ground with oscilloscope.

Connector	Terminals		Condition	Signal
	(+)	(-)		
D7	13	Ground	Opening	<p>OCC3383D</p>

#### OK or NG

OK >> Replace main power window and door lock/unlock switch. Refer to [EI-29, "Removal and Installation"](#).  
NG >> GO TO 6.

### 6. CHECK ENCODER CIRCUIT

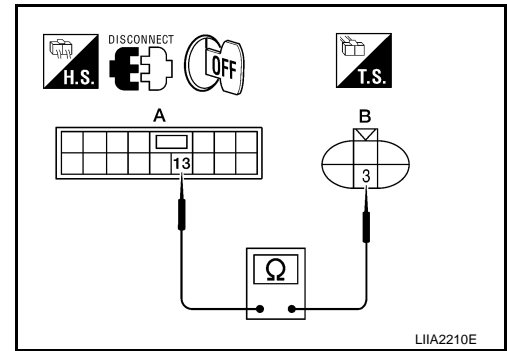


# POWER WINDOW SYSTEM

## < SERVICE INFORMATION >

1. Turn ignition switch OFF.
2. Disconnect front power window motor LH and main power window and door lock/unlock switch.
3. Check continuity between front power window motor LH connector and main power window and door lock/unlock switch connector.

Connector	Terminal	Connector	Terminal	Continuity
A		B		
Main power window and door lock/unlock switch: D7	13	Front power window motor LH: D9	3	Yes



4. Check continuity between front power window motor LH connector and ground.

Connector	Terminal	Ground	Continuity
B			
Front power window motor LH: D9	3		No

### OK or NG

- OK >> Replace front power window motor LH. Refer to [GW-67. "Removal and Installation"](#).  
 NG >> Repair or replace harness.

## Encoder Circuit Inspection Front LH (With Rear Power Vent Windows)

INFOID:000000004278539

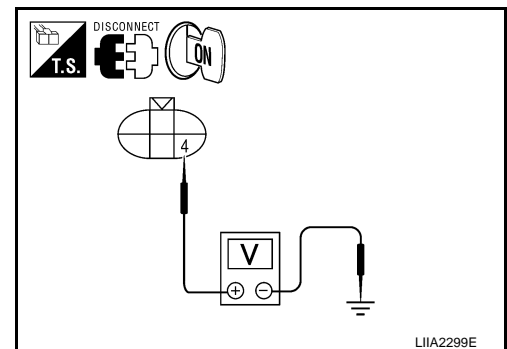
### 1. CHECK FRONT POWER WINDOW MOTOR LH POWER SUPPLY

1. Turn ignition switch OFF.
2. Disconnect front power window motor LH.
3. Turn ignition switch ON.
4. Check voltage between front power window motor LH connector D9 terminal 4 and ground.

**4 - Ground : Approx. 10V**

### OK or NG

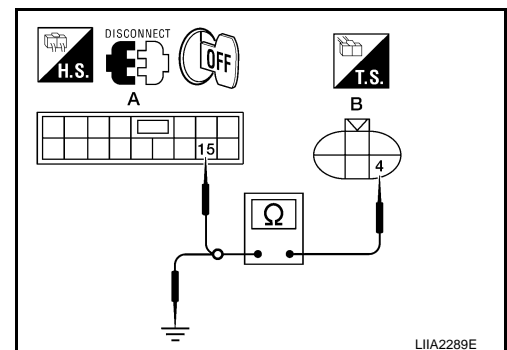
- OK >> GO TO 3.  
 NG >> GO TO 2.



### 2. CHECK HARNESS CONTINUITY

1. Turn ignition switch OFF.
2. Disconnect main power window and door lock/unlock switch.
3. Check continuity between front power window motor LH connector and main power window and door lock/unlock switch connector.

Connector	Terminal	Connector	Terminal	Continuity
A		B		
Main power window and door lock/unlock switch: D7	15	Front power window motor LH: D9	4	Yes



4. Check continuity between front power window motor LH connector and ground.

Connector	Terminal	Ground	Continuity
B			
Front power window motor LH: D9	4		No

# POWER WINDOW SYSTEM

## < SERVICE INFORMATION >

### OK or NG

- OK >> Replace main power window and door lock/unlock switch. Refer to [EI-29. "Removal and Installation"](#).
- NG >> Repair or replace harness.

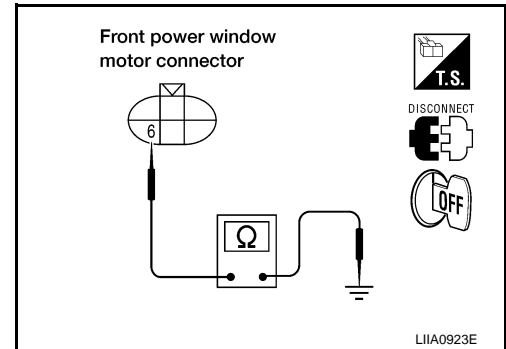
### 3. CHECK ENCODER GROUND

1. Turn ignition switch OFF.
2. Disconnect front power window motor LH.
3. Check continuity between front power window motor LH connector D9 terminal 6 and ground.

**6 - Ground : Continuity should exist.**

### OK or NG

- OK >> GO TO 5.
- NG >> GO TO 4.



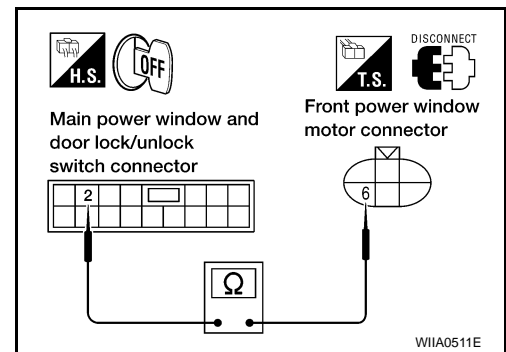
### 4. CHECK ENCODER GROUND CIRCUIT

1. Disconnect main power window and door lock/unlock switch.
2. Check continuity between front power window motor LH connector D9 terminal 6 and main power window and door lock/unlock switch connector D7 terminal 2.

**6 - 2 : Continuity should exist.**

### OK or NG

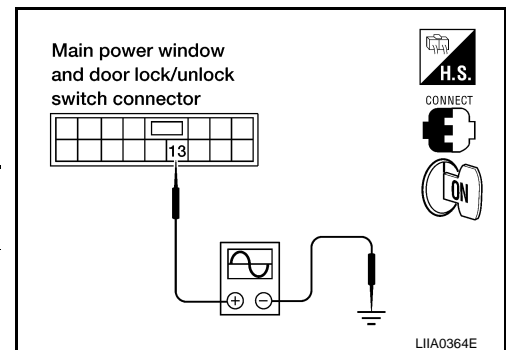
- OK >> Replace main power window and door lock/unlock switch. Refer to [EI-29. "Removal and Installation"](#).
- NG >> Repair or replace harness.



### 5. CHECK ENCODER SIGNAL

1. Connect front power window motor LH.
2. Turn ignition switch ON.
3. Check the signal between main power window and door lock/unlock switch connector and ground with oscilloscope.

Connector	Terminals		Condition	Signal
	(+)	(-)		
D7	13	Ground	Opening	



### OK or NG

- OK >> Replace main power window and door lock/unlock switch. Refer to [EI-29. "Removal and Installation"](#).
- NG >> GO TO 6.

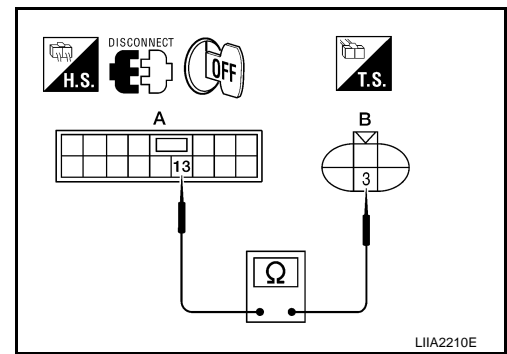
### 6. CHECK ENCODER CIRCUIT

# POWER WINDOW SYSTEM

## < SERVICE INFORMATION >

1. Turn ignition switch OFF.
2. Disconnect front power window motor LH and main power window and door lock/unlock switch.
3. Check continuity between front power window motor LH connector and main power window and door lock/unlock switch connector.

Connector	Terminal	Connector	Terminal	Continuity
A		B		
Main power window and door lock/unlock switch: D7	13	Front power window motor LH: D9	3	Yes



4. Check continuity between front power window motor LH connector and ground.

Connector	Terminal	Ground	Continuity
B			
Front power window motor LH: D9	3		No

### OK or NG

- OK >> Replace front power window motor LH. Refer to [GW-67, "Removal and Installation"](#).  
 NG >> Repair or replace harness.

## Encoder Circuit Inspection Front RH

INFOID:000000004278540

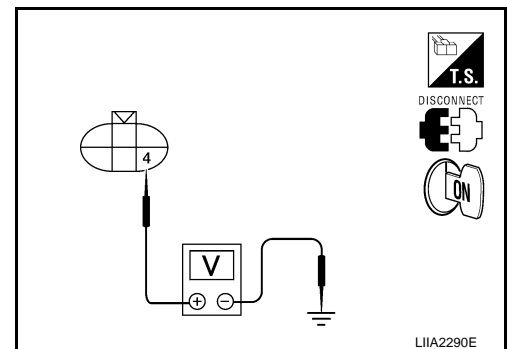
### 1. CHECK FRONT POWER WINDOW MOTOR RH POWER SUPPLY

1. Turn ignition switch OFF.
2. Disconnect front power window motor RH.
3. Turn ignition switch ON.
4. Check voltage between front power window motor RH connector D104 terminal 4 and ground.

**4 - Ground : Approx. 10V**

### OK or NG

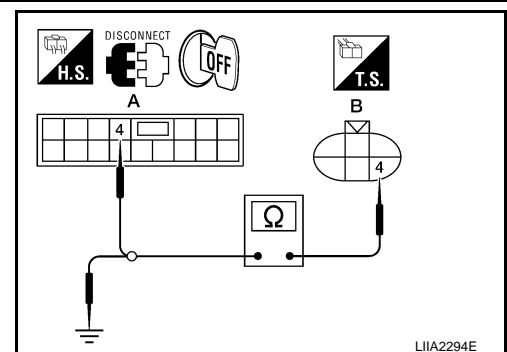
- OK >> GO TO 3.  
 NG >> GO TO 2.



### 2. CHECK HARNESS CONTINUITY

1. Turn ignition switch OFF.
2. Disconnect power window and door lock/unlock switch RH.
3. Check continuity between front power window motor RH connector and power window and door lock/unlock switch RH connector.

Connector	Terminal	Connector	Terminal	Continuity
A		B		
Power window and door lock/unlock switch RH: D105	4	Front power window motor RH: D104	4	Yes



4. Check continuity between front power window motor LH connector and ground.

Connector	Terminal	Ground	Continuity
B			
Front power window motor RH: D104	4		No

# POWER WINDOW SYSTEM

## < SERVICE INFORMATION >

### OK or NG

- OK >> Replace main power window and door lock/unlock switch. Refer to [EI-29, "Removal and Installation"](#).
- NG >> Repair or replace harness.

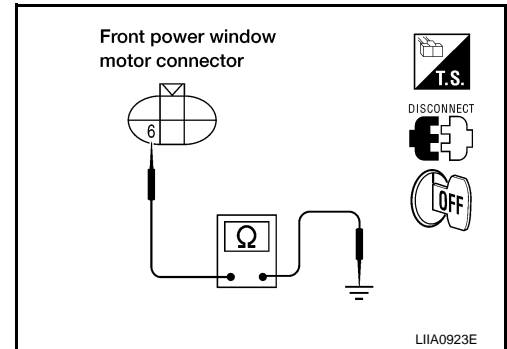
### 3. CHECK ENCODER GROUND

1. Turn ignition switch OFF.
2. Disconnect front power window motor RH.
3. Check continuity between front power window motor RH connector D104 terminal 6 and ground.

**6 - Ground : Continuity should exist.**

### OK or NG

- OK >> GO TO 5.
- NG >> GO TO 4.



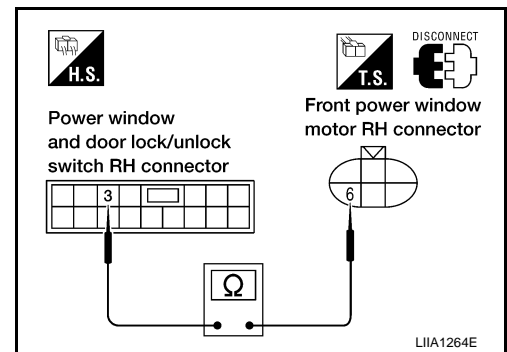
### 4. CHECK ENCODER GROUND CIRCUIT

1. Disconnect power window and door lock/unlock switch RH.
2. Check continuity between front power window motor RH connector D104 terminal 6 and power window and door lock/unlock switch RH connector D105 terminal 3.

**6 - 3 : Continuity should exist.**

### OK or NG

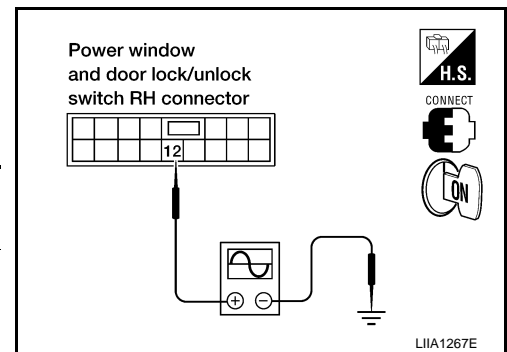
- OK >> Replace power window and door lock/unlock switch RH. Refer to [EI-29, "Removal and Installation"](#).
- NG >> Repair or replace harness.



### 5. CHECK ENCODER SIGNAL

1. Connect front power window motor RH.
2. Turn ignition switch ON.
3. Check the signal between power window and door lock/unlock switch RH connector and ground with oscilloscope.

Connector	Terminals		Condition	Signal
	(+)	(-)		
D105	12	Ground	Opening	



### OK or NG

- OK >> Replace power window and door lock/unlock switch RH. Refer to [EI-29, "Removal and Installation"](#).
- NG >> GO TO 6.

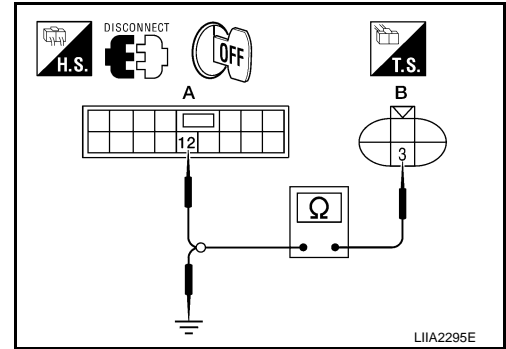
### 6. CHECK ENCODER CIRCUIT

# POWER WINDOW SYSTEM

## < SERVICE INFORMATION >

1. Turn ignition switch OFF.
2. Disconnect front power window motor RH and power window and door lock/unlock switch RH.
3. Check continuity between front power window motor RH connector and power window and door lock/unlock switch RH connector.

Connector	Terminal	Connector	Terminal	Continuity
A		B		
Power window and door lock/unlock switch RH: D105	12	Front power window motor RH: D104	3	Yes



4. Check continuity between front power window motor LH connector and ground.

Connector	Terminal	Ground	Continuity
B			
Front power window motor RH: D104	3		No

### OK or NG

- OK >> Replace front power window motor RH. Refer to [GW-67, "Removal and Installation"](#).  
 NG >> Repair or replace harness.

## Door Switch Check

INFOID:000000004278541

### 1. CHECK FRONT DOOR SWITCH INPUT SIGNAL

#### With CONSULT-III

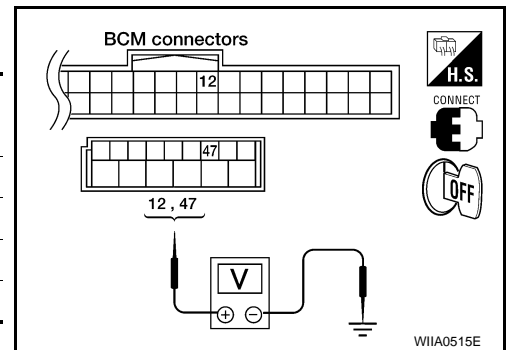
Check front door switches ("DOOR SW-DR" and "DOOR SW-AS") in "DATA MONITOR" mode with CONSULT-III.

Monitor item	Condition
DOOR SW-DR	OPEN: ON
	CLOSE: OFF
DOOR SW-AS	OPEN: ON
	CLOSE: OFF

#### Without CONSULT-III

Check voltage between BCM connector and ground.

Item	Connector	Terminals		Condition	Voltage (V) (Approx.)
		(+)	(-)		
Front RH	M18	12	Ground	OPEN	0
				CLOSE	Battery voltage
Front LH	M19	47	Ground	OPEN	0
				CLOSE	Battery voltage



### OK or NG

- OK >> Front door switch is OK.  
 NG >> GO TO 2.

### 2. CHECK DOOR SWITCH CIRCUIT

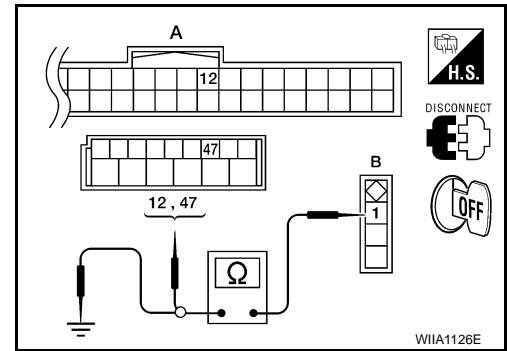


# POWER WINDOW SYSTEM

## < SERVICE INFORMATION >

1. Turn ignition switch OFF.
2. Disconnect front door switch LH or RH and BCM.
3. Check continuity between front door switch LH or RH and BCM.

Connector	Terminal	Connector	Terminal	Continuity
A		B		
BCM: M18	12	Front door switch RH: B108	1	Yes
BCM: M19	47	Front door switch LH: B8	1	Yes



4. Check continuity between front door switch LH or RH and ground.

Connector	Terminal		Continuity
A			
Front door switch LH: B8	1	Ground	No
Front door switch RH: B108	1	Ground	No

### OK or NG

- OK >> GO TO 3.  
NG >> Repair or replace harness.

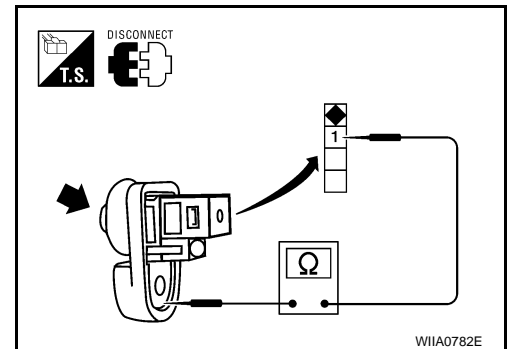
## 3. CHECK DOOR SWITCH

Check continuity between each front door switch terminal 1 and body ground part of front door switch.

Terminal	Door switch	Continuity
1	Body ground part of front door switch	Pushed: No
	Released	Yes

### OK or NG

- OK >> Further inspection is necessary. Refer to symptom chart.  
NG >> Replace malfunctioning front door switch.



## Front Door Lock Assembly LH (Key Cylinder Switch) Check (Without Rear Power Vent Windows)

INFOID:000000004278542

### 1. CHECK DOOR KEY CYLINDER SWITCH INPUT SIGNAL

#### Ⓜ With CONSULT-III

- Check front door lock assembly LH (key cylinder switch) ("KEY CYL LK-SW") in "DATA MONITOR" mode for "POWER DOOR LOCK SYSTEM" with CONSULT-III. Refer to [GW-35, "CONSULT-III Function \(BCM\)"](#).

**"KEY CYL LK-SW" should be "ON" when key inserted in door key cylinder is turned to lock.**

- Check front door lock assembly LH (key cylinder switch) ("KEY CYL UN-SW") in "DATA MONITOR" mode for "POWER DOOR LOCK SYSTEM" with CONSULT-III. Refer to [GW-35, "CONSULT-III Function \(BCM\)"](#).

**"KEY CYL UN-SW" should be "ON" when key inserted in door key cylinder is turned to unlock.**

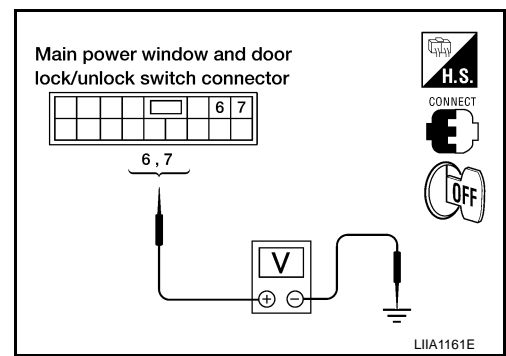
#### ⓧ Without CONSULT-III

# POWER WINDOW SYSTEM

## < SERVICE INFORMATION >

Check voltage between main power window and door lock/unlock switch connector and ground.

Connector	Terminals		Key position	Voltage (V) (Approx.)
	(+)	(-)		
D7	7	Ground	Neutral/Unlock	5
			Unlock	0
	6		Neutral/Lock	5
			Lock	0



### OK or NG

- OK >> Further inspection is necessary. Refer to symptom chart.
- NG >> GO TO 2.

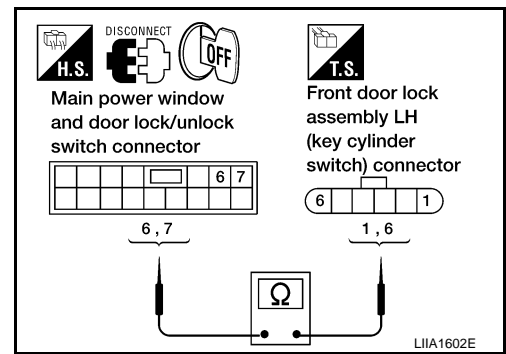
## 2. CHECK FRONT DOOR LOCK ASSEMBLY LH (KEY CYLINDER SWITCH) CIRCUIT

1. Turn ignition switch OFF.
2. Disconnect main power window and door lock/unlock switch and front door lock assembly LH (key cylinder switch).
3. Check continuity between main power window and door lock/unlock switch connector D7 terminals 6, 7 and front door lock assembly LH (key cylinder switch) connector D14 terminals 1, 6.

- 7 - 6 : Continuity should exist.**
- 6 - 1 : Continuity should exist.**

### OK or NG

- OK >> GO TO 3.
- NG >> Repair or replace harness.



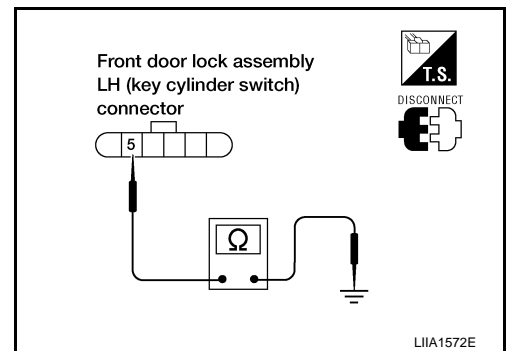
## 3. CHECK FRONT DOOR LOCK ASSEMBLY LH (KEY CYLINDER SWITCH) GROUND

Check continuity between front door lock assembly LH (key cylinder switch) connector D14 terminal 5 and ground.

- 5 - Ground : Continuity should exist.**

### OK or NG

- OK >> GO TO 4.
- NG >> Repair or replace harness.



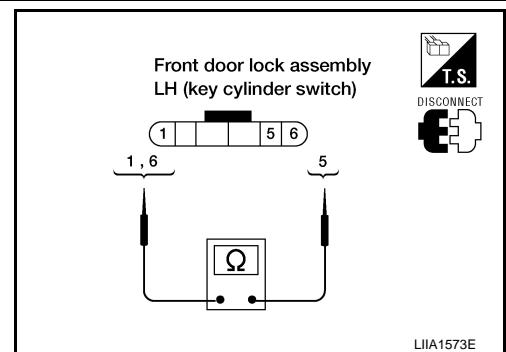
## 4. CHECK FRONT DOOR LOCK ASSEMBLY LH (KEY CYLINDER SWITCH)

Check continuity between front door lock assembly LH (key cylinder switch) terminals 1, 6 and 5.

Terminals	Key position	Continuity
6	Neutral/Lock	No
	Unlock	Yes
1	Neutral/Unlock	No
	Lock	Yes

### OK or NG

- OK >> Further inspection is necessary. Refer to symptom chart.
- NG >> Replace front door lock assembly LH (key cylinder switch). Refer to [BL-169. "Removal and Installation"](#).



# POWER WINDOW SYSTEM

< SERVICE INFORMATION >

## Front Door Lock Assembly LH (Key Cylinder Switch) Check (With Rear Power Vent Windows)

INFOID:000000004278543

### 1. CHECK DOOR KEY CYLINDER SWITCH INPUT SIGNAL

#### Ⓜ With CONSULT-III

- Check front door lock assembly LH (key cylinder switch) ("KEY CYL LK-SW") in "DATA MONITOR" mode for "POWER DOOR LOCK SYSTEM" with CONSULT-III. Refer to [GW-35, "CONSULT-III Function \(BCM\)"](#).

**"KEY CYL LK-SW" should be "ON" when key inserted in door key cylinder is turned to lock.**

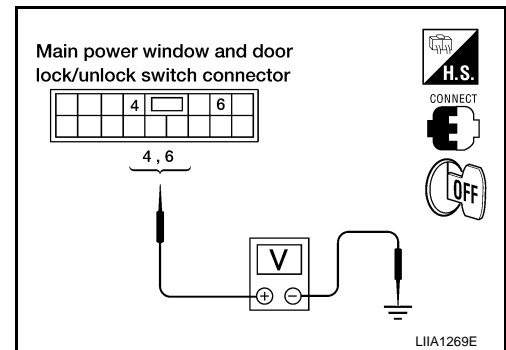
- Check front door lock assembly LH (key cylinder switch) ("KEY CYL UN-SW") in "DATA MONITOR" mode for "POWER DOOR LOCK SYSTEM" with CONSULT-III. Refer to [GW-35, "CONSULT-III Function \(BCM\)"](#).

**"KEY CYL UN-SW" should be "ON" when key inserted in door key cylinder is turned to unlock.**

#### ⓧ Without CONSULT-III

Check voltage between main power window and door lock/unlock switch connector and ground.

Connector	Terminals		Key position	Voltage (V) (Approx.)
	(+)	(-)		
D7	6	Ground	Neutral/Lock	5
			Lock	0
	4		Neutral/Unlock	5
			Unlock	0



OK or NG

- OK >> Further inspection is necessary. Refer to symptom chart.
- NG >> GO TO 2.

### 2. CHECK FRONT DOOR LOCK ASSEMBLY LH (KEY CYLINDER SWITCH) CIRCUIT

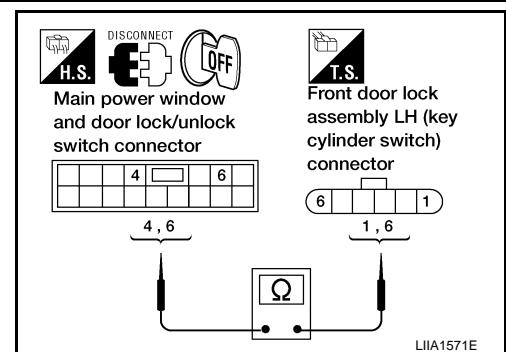
- Turn ignition switch OFF.
- Disconnect main power window and door lock/unlock switch and front door lock assembly LH (key cylinder switch).
- Check continuity between main power window and door lock/unlock switch connector D7 terminals 4, 6 and front door lock assembly LH (key cylinder switch) connector D14 terminals 1, 6.

**6 - 6 : Continuity should exist.**

**4 - 1 : Continuity should exist.**

OK or NG

- OK >> GO TO 3.
- NG >> Repair or replace harness.



### 3. CHECK FRONT DOOR LOCK ASSEMBLY LH (KEY CYLINDER SWITCH) GROUND

# POWER WINDOW SYSTEM

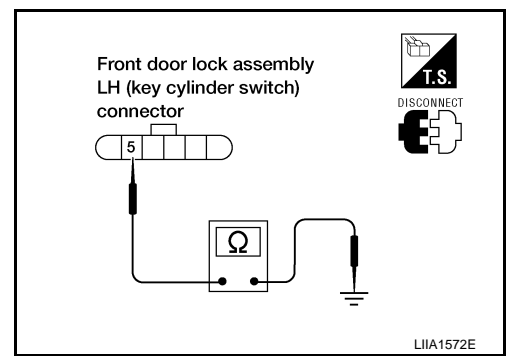
## < SERVICE INFORMATION >

Check continuity between front door lock assembly LH (key cylinder switch) connector D14 terminal 5 and ground.

**5 - Ground : Continuity should exist.**

### OK or NG

- OK >> GO TO 4.
- NG >> Repair or replace harness.



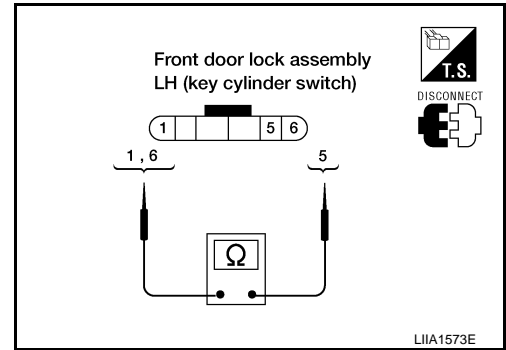
## 4. CHECK FRONT DOOR LOCK ASSEMBLY LH (KEY CYLINDER SWITCH)

Check continuity between front door lock assembly LH (key cylinder switch) terminals 1, 6 and 5.

Terminals	Key position	Continuity
6	Neutral/Lock	No
	Unlock	Yes
1	Neutral/Unlock	No
	Lock	Yes

### OK or NG

- OK >> Further inspection is necessary. Refer to symptom chart.
- NG >> Replace front door lock assembly LH (key cylinder switch). Refer to [BL-169. "Removal and Installation"](#).



## Power Window Serial Link Check Front LH and RH (Without Rear Power Vent Windows)

INFOID:000000004278544

### 1. CHECK BUS OUTPUT SIGNAL

#### ☑ With CONSULT-III

Check door lock and unlock switch ("LOCK SW DR/AS", "UNLK SW DR/AS") in DATA MONITOR mode for "MULTI REMOTE ENT" with CONSULT-III. Refer to [BL-56. "CONSULT-III Application Item"](#).

- When door lock and unlock switch is turned to LOCK

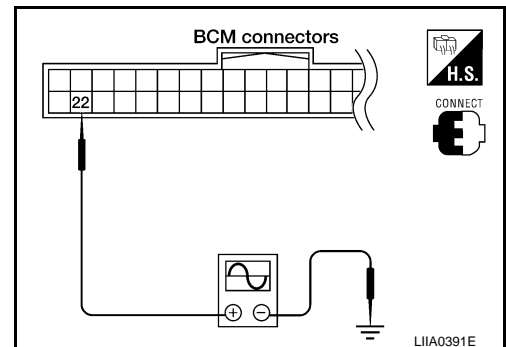
**LOCK SW DR/AS : ON**

- When door lock and unlock switch is turned to UNLOCK

**UNLK SW DR/AS : ON**

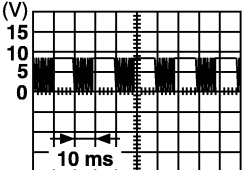
#### ☒ Without CONSULT-III

1. Remove key from ignition switch, and close front door LH and RH.
2. Check the signal between BCM connector and ground with oscilloscope when door lock and unlock switch (front LH and front RH) is turned to "LOCK" or "UNLOCK".
3. Make sure signals which are shown in the figure below can be detected during 10 seconds just after door lock and unlock switch (front LH and front RH) is turned to "LOCK" or "UNLOCK".



# POWER WINDOW SYSTEM

## < SERVICE INFORMATION >

Connector	Terminals		Signal
	(+)	(-)	
M18	22	Ground	 <p>PIIA1297E</p>

### OK or NG

- OK >> GO TO 2.
- NG >> GO TO 3.

## 2. CHECK BCM BUS SIGNAL

Check power window serial link ("POWER WINDOW DOWN") in "ACTIVE TEST" mode for "MULTI REMOTE ENT" with CONSULT-III. Refer to [BL-56, "CONSULT-III Application Item"](#).

When "ACTIVE TEST" is executed, is the front power window LH and RH lowered?

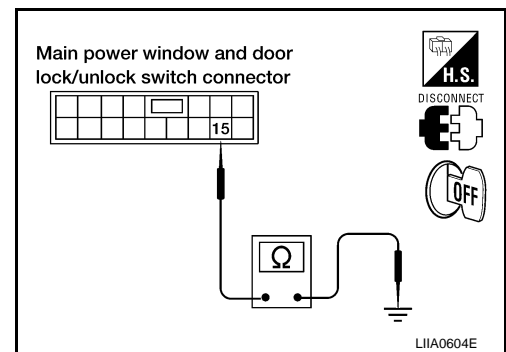
### OK or NG

- OK >> Further inspection is necessary. Refer to symptom chart.
- NG >> Replace BCM. Refer to [BCS-17, "Removal and Installation of BCM"](#).

## 3. CHECK POWER WINDOW SWITCH GROUND

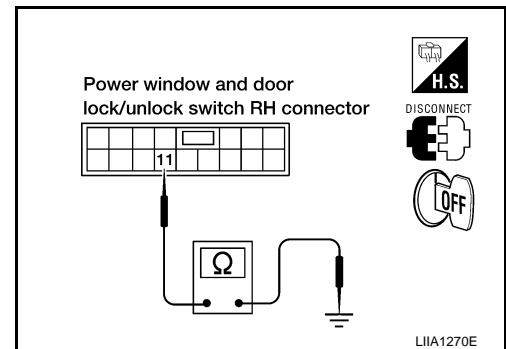
1. Turn ignition switch OFF.
2. Disconnect main power window and door lock/unlock switch and power window and door lock/unlock switch RH.
3. Check continuity between main power window and door lock/unlock switch connector D7 terminal 15 and ground.

**15 - Ground : Continuity should exist.**



4. Check continuity between power window and door lock/unlock switch RH connector D105 terminal 11 and ground.

**11 - Ground : Continuity should exist.**



### OK or NG

- OK >> GO TO 4.
- NG >> Repair or replace harness.

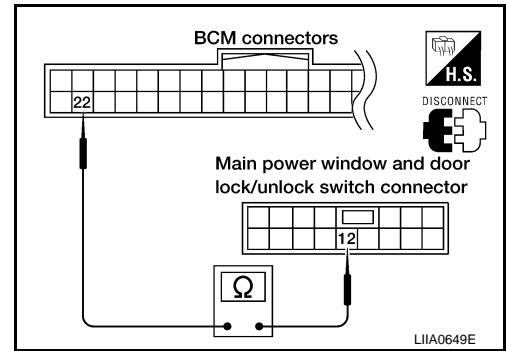
## 4. CHECK POWER WINDOW SERIAL LINK CIRCUIT

# POWER WINDOW SYSTEM

## < SERVICE INFORMATION >

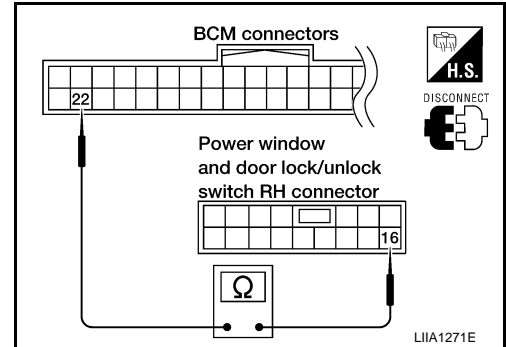
1. Disconnect BCM.
2. Check continuity between BCM connector M18 terminal 22 and main power window and door lock/unlock switch connector D7 terminal 12.

**22 - 12 : Continuity should exist.**



3. Check continuity between BCM connector M18 terminal 22 and power window and door lock/unlock switch RH connector D105 terminal 16.

**22 - 16 : Continuity should exist.**



### OK or NG

- OK >> Replace main power window and door lock/unlock switch or power window and door lock/unlock switch RH. Refer to [EI-29, "Removal and Installation"](#).
- NG >> Repair or replace harness.

## Power Window Serial Link Check Front LH and RH (With Rear Power Vent Windows)

INFOID:000000004278545

### 1. CHECK BUS SIGNAL

#### Ⓟ With CONSULT-III

Check door lock and unlock switch ("LOCK SW DR/AS", "UNLK SW DR/AS") in DATA MONITOR mode for "MULTI REMOTE ENT" with CONSULT-III. Refer to [BL-56, "CONSULT-III Application Item"](#).

- When door lock and unlock switch is turned to LOCK

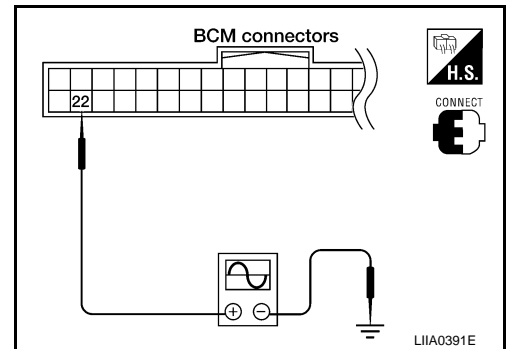
**LOCK SW DR/AS : ON**

- When door lock and unlock switch is turned to UNLOCK

**UNLK SW DR/AS : ON**

#### ⓧ Without CONSULT-III

1. Remove key from ignition switch, and close front door LH and RH.
2. Check the signal between BCM connector and ground with oscilloscope when door lock and unlock switch (front LH and front RH) is turned to "LOCK" or "UNLOCK".
3. Make sure signals which are shown in the figure below can be detected during 10 seconds just after door lock and unlock switch (front LH and front RH) is turned to "LOCK" or "UNLOCK".



# POWER WINDOW SYSTEM

## < SERVICE INFORMATION >

Connector	Terminals		Signal
	(+)	(-)	
M18	22	Ground	

### OK or NG

- OK >> GO TO 2.
- NG >> GO TO 3.

## 2. CHECK BCM BUS OUTPUT SIGNAL

Check power window serial link ("POWER WINDOW DOWN") in "ACTIVE TEST" mode for "MULTI REMOTE ENT" with CONSULT-III. Refer to [BL-56, "CONSULT-III Application Item"](#).

When "ACTIVE TEST" is executed, is the front power window LH and RH lowered?

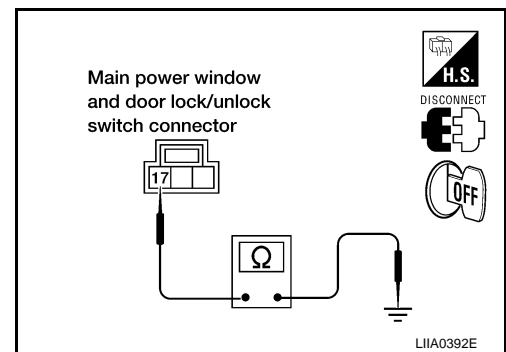
### OK or NG

- OK >> Further inspection is necessary. Refer to symptom chart.
- NG >> Replace BCM. Refer to [BCS-17, "Removal and Installation of BCM"](#).

## 3. CHECK POWER WINDOW SWITCH GROUND

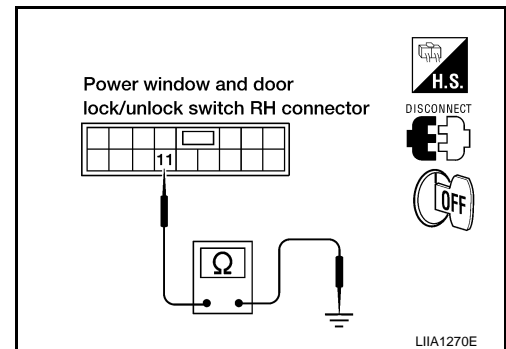
1. Turn ignition switch OFF.
2. Disconnect main power window and door lock/unlock switch and power window and door lock/unlock switch RH.
3. Check continuity between main power window and door lock/unlock switch connector D8 terminal 17 and ground.

**17 - Ground : Continuity should exist.**



4. Check continuity between power window and door lock/unlock switch RH connector D105 terminal 11 and ground.

**11 - Ground : Continuity should exist.**



### OK or NG

- OK >> GO TO 4.
- NG >> Repair or replace harness.

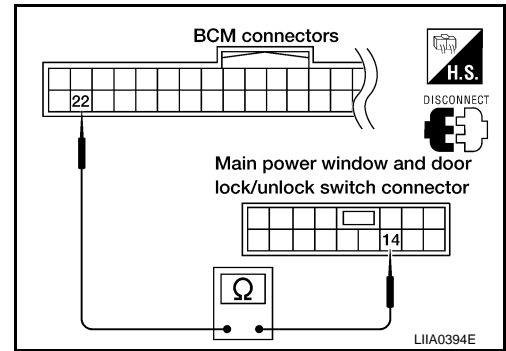
## 4. CHECK POWER WINDOW SERIAL LINK CIRCUIT

# POWER WINDOW SYSTEM

## < SERVICE INFORMATION >

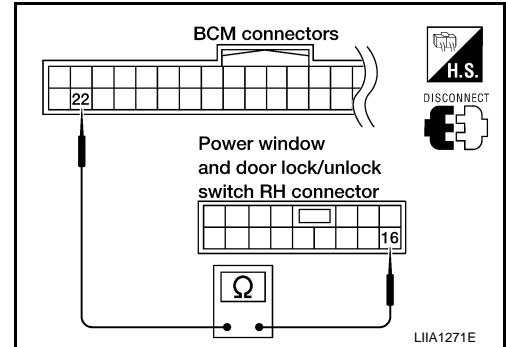
1. Disconnect BCM.
2. Check continuity between BCM connector M18 terminal 22 and main power window and door lock/unlock switch connector D7 terminal 14.

**22 - 14 : Continuity should exist.**



3. Check continuity between BCM connector M18 terminal 22 and power window and door lock/unlock switch RH connector D105 terminal 16.

**22 - 16 : Continuity should exist.**



### OK or NG

- OK >> Replace main power window and door lock/unlock switch or power window and door lock/unlock switch RH. Refer to [EI-29, "Removal and Installation"](#).
- NG >> Repair or replace harness.

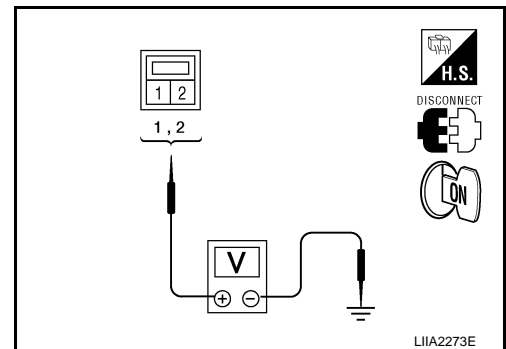
## Rear Power Vent Window Motor LH Circuit Inspection

INFOID:000000004278546

### 1. CHECK MAIN POWER WINDOW AND DOOR LOCK/UNLOCK SWITCH LH OUTPUT SIGNAL

1. Turn ignition switch OFF.
2. Disconnect rear power vent window motor LH.
3. Turn ignition switch ON.
4. Check voltage between rear power vent window motor LH connector B52 terminals 1, 2 and ground.

Connector	Terminals		Condition	Voltage (V) (Approx.)
	(+)	(-)		
Rear power vent window motor LH: B52	1	Ground	Closing	Battery voltage
			Opening	0
	2		Closing	0
			Opening	Battery voltage



### OK or NG

- OK >> Replace rear power vent window motor LH. Refer to [GW-73, "Removal and Installation \(with Rear Power Vent Windows\)"](#).
- NG >> GO TO 2.

### 2. CHECK REAR POWER VENT WINDOW MOTOR LH CIRCUIT

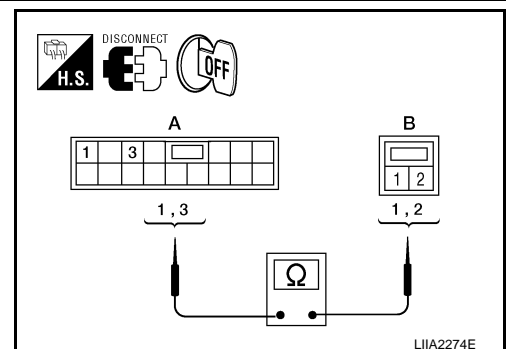
1. Turn ignition switch OFF.
2. Disconnect main power window and door lock/unlock switch.
3. Check continuity between main power window and door lock/unlock switch connector (A) D7 terminals 1, 3 and rear power vent window motor LH (B) connector B52 terminals 1, 2.

**3 - 2 : Continuity should exist.**

**1 - 1 : Continuity should exist.**

### OK or NG

- OK >> GO TO 3.
- NG >> Repair or replace harness.





# POWER WINDOW SYSTEM

< SERVICE INFORMATION >

## 3. CHECK MAIN POWER WINDOW AND DOOR LOCK/UNLOCK SWITCH OUTPUT SIGNAL

1. Confirm that power window lock switch is in unlocked position.
2. Connect main power window and door lock/unlock switch.
3. Check continuity between main power window and door lock/unlock switch connector D7 terminals 1, 3 and connector D8 terminal 17.

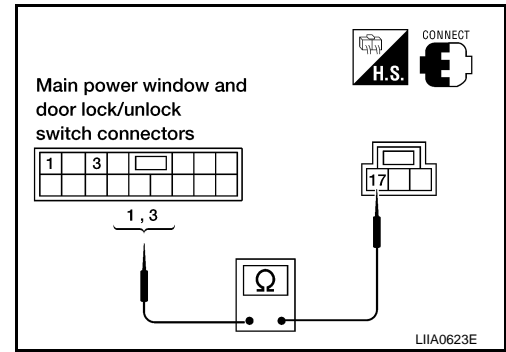
**1 - 17 : Continuity should exist.**

**3 - 17 : Continuity should exist.**

**OK or NG**

OK >> Repair or replace harness.

NG >> Replace main power window and door lock/unlock switch. Refer to [EI-29. "Removal and Installation"](#).



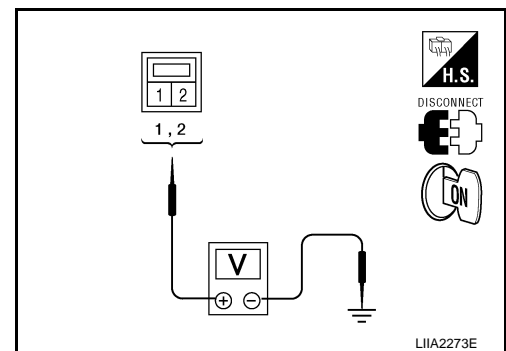
## Rear Power Vent Window Motor RH Circuit Inspection

INFOID:000000004278547

### 1. CHECK MAIN POWER WINDOW AND DOOR LOCK/UNLOCK SWITCH LH OUTPUT SIGNAL

1. Turn ignition switch OFF.
2. Disconnect rear power vent window motor RH.
3. Turn ignition switch ON.
4. Check voltage between rear power vent window motor RH connector B147 terminals 1, 2 and ground.

Connector	Terminals		Condition	Voltage (V) (Approx.)
	(+)	(-)		
Rear power vent window motor RH: B147	1	Ground	Closing	Battery voltage
			Opening	0
	2		Closing	0
			Opening	Battery voltage



**OK or NG**

OK >> Replace rear power vent window motor RH. Refer to [GW-73. "Removal and Installation \(with Rear Power Vent Windows\)"](#).

NG >> GO TO 2.

### 2. CHECK REAR POWER VENT WINDOW MOTOR RH CIRCUIT

1. Turn ignition switch OFF.
2. Disconnect main power window and door lock/unlock switch.
3. Check continuity between main power window and door lock/unlock switch connector (A) D7 terminals 5, 7 and rear power vent window motor RH connector (B) B147 terminals 1, 2.

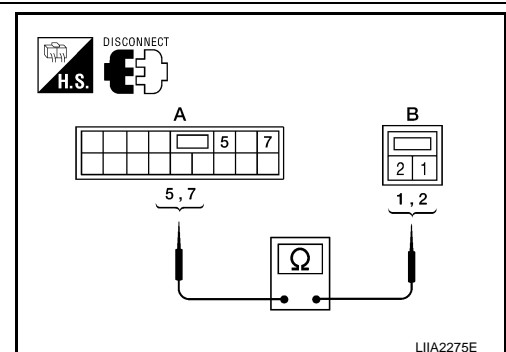
**5 - 2 : Continuity should exist.**

**7 - 1 : Continuity should exist.**

**OK or NG**

OK >> GO TO 3.

NG >> Repair or replace harness.



### 3. CHECK MAIN POWER WINDOW AND DOOR LOCK/UNLOCK SWITCH OUTPUT SIGNAL

# POWER WINDOW SYSTEM

## < SERVICE INFORMATION >

1. Confirm that power window lock switch is in unlocked position.
2. Check continuity between main power window and door lock/unlock switch connector D7 terminals 5, 7 and connector D8 terminal 17.

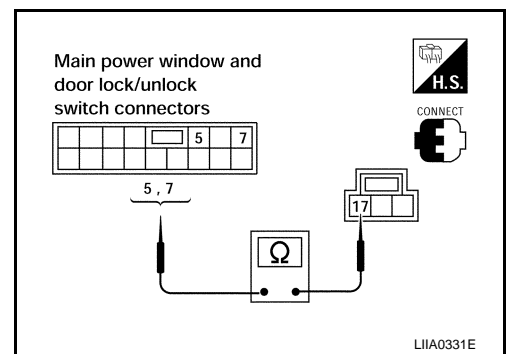
**5 - 17** : Continuity should exist.

**7 - 17** : Continuity should exist.

### OK or NG

OK >> Repair or replace harness.

NG >> Replace main power window and door lock/unlock switch. Refer to [EI-29. "Removal and Installation"](#).



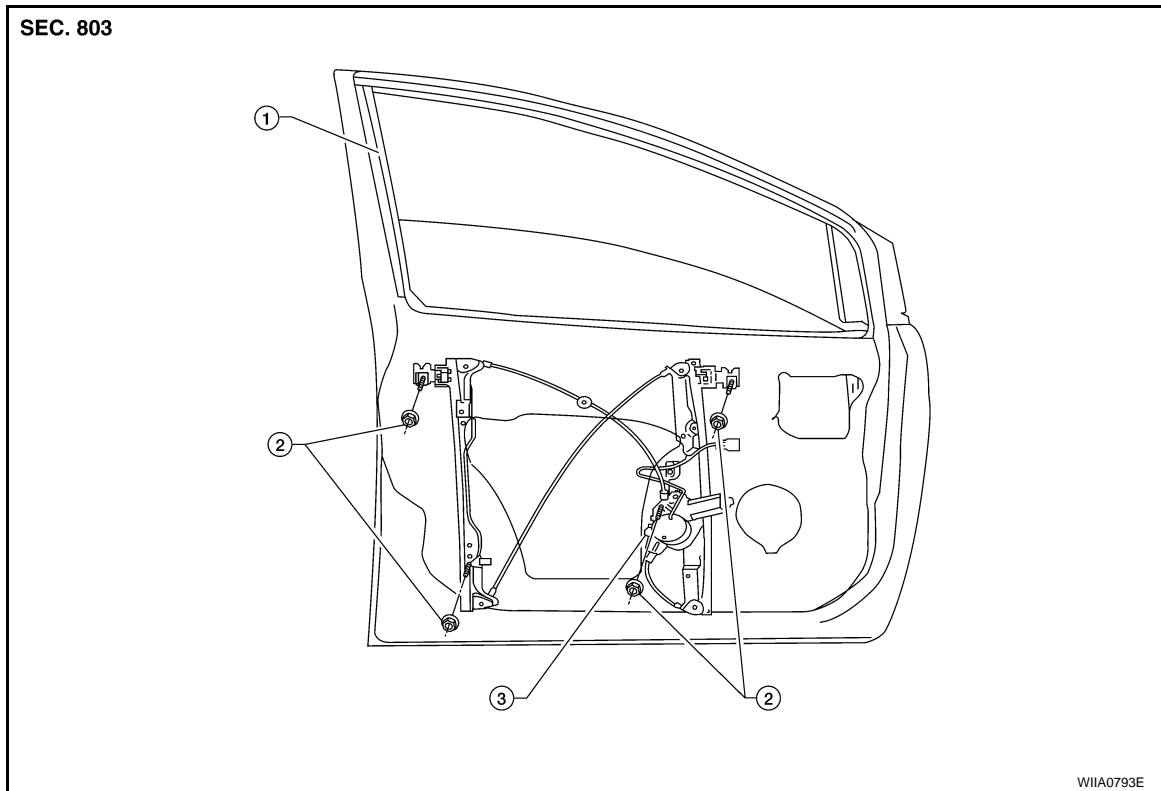
# FRONT DOOR GLASS AND REGULATOR

< SERVICE INFORMATION >

## FRONT DOOR GLASS AND REGULATOR

### Removal and Installation

INFOID:000000004278548



1. Door glass run

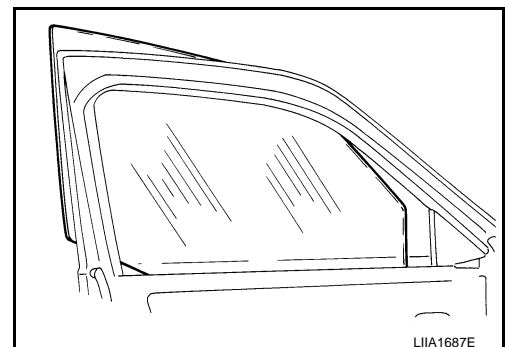
2. Door glass regulator nuts

3. Regulator motor

### FRONT DOOR GLASS

#### Removal

1. Remove the front door speaker. Refer to [AV-72. "Removal and Installation"](#).
2. Remove the hole cover over rear glass bolt.
3. Connect the battery negative cable.
4. Temporarily reconnect the power window switch to the door harness.
5. Operate the power window main switch to raise/lower the door glass until the door glass bolts can be seen.
6. Disconnect the battery negative cable.
7. Remove the inside seal.
8. Remove the door glass bolts.
9. While holding the door window, raise it at the rear end to pull the glass out of the sash toward the outside of the door.



#### Installation

Installation is in the reverse order of removal.

### FRONT DOOR GLASS REGULATOR

A  
B  
C  
D  
E  
F  
G  
H

GW

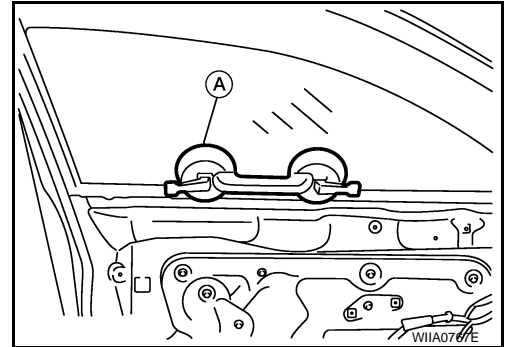
J  
K  
L  
M  
N  
O  
P

# FRONT DOOR GLASS AND REGULATOR

## < SERVICE INFORMATION >

### Removal

1. Remove the front door speaker. Refer to [AV-72, "Removal and Installation"](#).
2. Remove the hole cover over rear glass bolt.
3. Connect the battery negative cable.
4. Temporarily reconnect the power window switch to the door harness.
5. Operate the power window main switch to raise/lower the door glass until the door glass bolts can be seen.
6. Disconnect the battery negative cable.
7. Remove the door glass bolts.
8. Raise the door glass up into the door frame/channel and hold in place with a suitable tool (A).



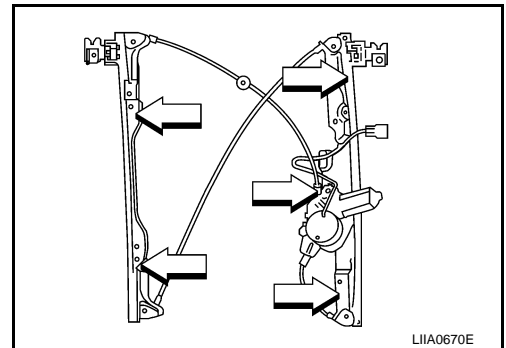
9. Disconnect the harness connector for the regulator assembly.
10. Remove the regulator nuts, and remove the regulator assembly.

### Inspection After Removal

Check the regulator assembly for the following items. If a malfunction is detected, replace or grease it.

- Wire wear
- Regulator deformation

The arrows in the figure show the application points of the body grease.



### Installation

Installation is in the reverse order of removal. Refer to "FITTING INSPECTION AND SETTING AFTER INSTALLATION".

**Door glass bolts : 6.1 N-m (0.62 kg-m, 54 in-lb)**

### Disassembly

1. Remove the regulator motor bolts.
2. Remove the regulator motor from the regulator assembly.

### Assembly

Assembly is in the reverse order of disassembly.

### FITTING INSPECTION AND SETTING AFTER INSTALLATION

- Check that the glass is securely fit into the glass run groove.

# FRONT DOOR GLASS AND REGULATOR

## < SERVICE INFORMATION >

- Lower the glass slightly [approximately 10 to 20 mm (0.39 to 0.79 in)] and check that the clearance to the sash is parallel. If the clearance between the glass and sash is not parallel, loosen the regulator nuts, guide rail bolts, and glass and guide rail bolts to correct the glass position.

### Setting of Limit Switch

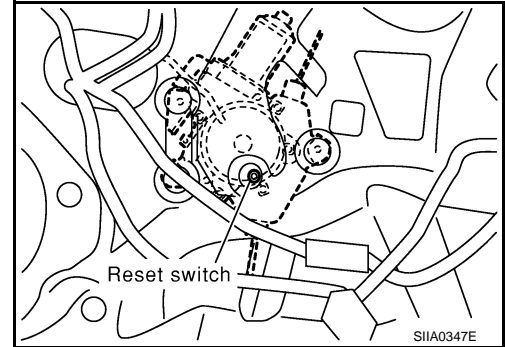
If any of the following work has been done, set the limit switch (integrated in the motor).

- Removal and installation of the regulator.
- Removal and installation of the regulator motor from the regulator.
- Removal and installation of the door glass.
- Removal and installation of the door glass run.

### Resetting

After installing each component to the vehicle, perform the following procedure to reset the limit switch.

1. Raise the door glass to the top position.
2. While pressing and holding the reset switch, lower the door glass to the bottom position.



3. Release the reset switch. Verify that the reset switch returns to the original position, and then raises the door glass to the top position.

### **CAUTION:**

**Do not operate the door glass automatically to raise the door glass to the top position.**

A  
B  
C  
D  
E  
F  
G  
H  
J  
K  
L  
M  
N  
O  
P

GW

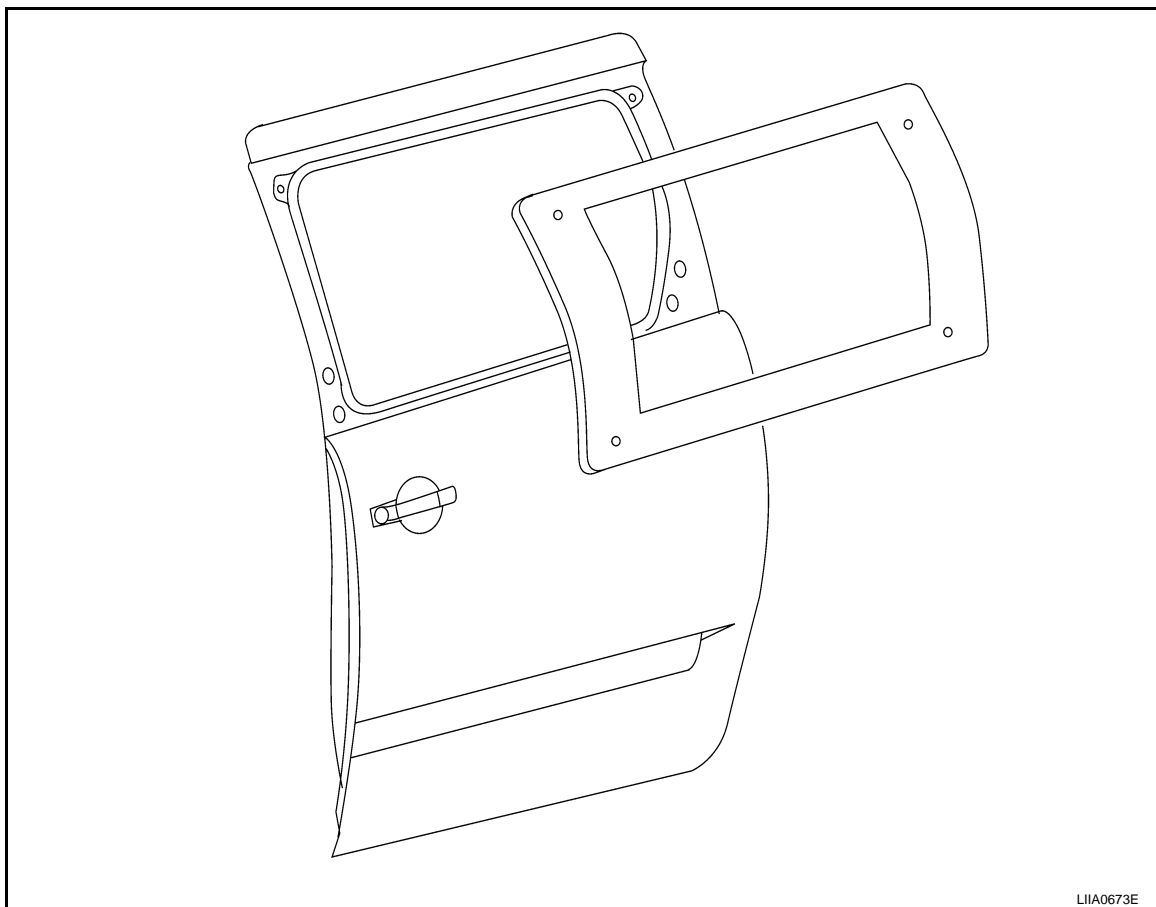
# SLIDE DOOR GLASS

< SERVICE INFORMATION >

## SLIDE DOOR GLASS

### Removal and Installation

INFOID:000000004278549



LIA0673E

### REMOVAL

1. Apply protective tape around the slide door glass to protect the painted surface from damage.
2. Remove glass using piano wire or power cutting tool and an inflatable pump bag.

#### **WARNING:**

**When cutting the glass from the vehicle, always wear safety glasses and heavy gloves to help prevent glass splinters from entering your eyes or cutting your hands.**

#### **CAUTION:**

- When a slide door glass is to be reused, do not use a cutting knife or power cutting tool.
- Be careful not to scratch the glass when removing.
- Do not set or stand the glass on its edge. Small chips may develop into cracks.

### INSTALLATION

Installation is in the reverse order of removal.

- Use a genuine NISSAN Urethane Adhesive Kit (if available) or equivalent and follow the instructions furnished with it.
- While the urethane adhesive is curing, open a window. This will prevent the glass from being forced out by passenger compartment air pressure when a door is closed.
- The rubber seal must be installed securely so that it is in position and leaves no gap.
- Inform customer that the vehicle should remain stationary until the urethane adhesive has completely cured (preferably 24 hours). Curing time varies with temperature and humidity.

#### **WARNING:**

- Keep heat and open flames away as primers and adhesives are flammable.
- The materials contained in the kit are harmful if swallowed, and may irritate skin and eyes. Avoid contact with the skin and eyes.
- Use in an open, well ventilated location. Avoid breathing the vapors. They can be harmful if inhaled. If affected by vapor inhalation, immediately move to area with fresh air.

## SLIDE DOOR GLASS

### < SERVICE INFORMATION >

---

- Driving the vehicle before urethane adhesive has completely cured may affect the performance of the slide door glass in case of an accident.

**CAUTION:**

- Do not use an adhesive which is past its usable term. Shelf life of this product is limited to six months after the date of manufacture. Carefully adhere to the expiration or manufacture date printed on the box.
- Keep primers and adhesives in a cool dry place. ideally they should be stored in a refrigerator.
- Do not leave primers and adhesive cartridge unattended with their caps off.
- The vehicle should not be driven for at least 24 hours or until the urethane adhesive has completely cured. Curing time depends on temperature and humidity. The curing time will increase under lower temperature and lower humidities.

#### Repairing Water Leaks for Slide Door Glass

Leaks can be repaired without removing and reinstalling glass.

If water is leaking between the urethane adhesive material and body or glass, determine the extent of leakage.

This can be done by applying water to the glass area while pushing glass outward.

To stop the leak, apply primer (if necessary) and then urethane adhesive to the leak point.

A

B

C

D

E

F

G

H

**GW**

J

K

L

M

N

O

P

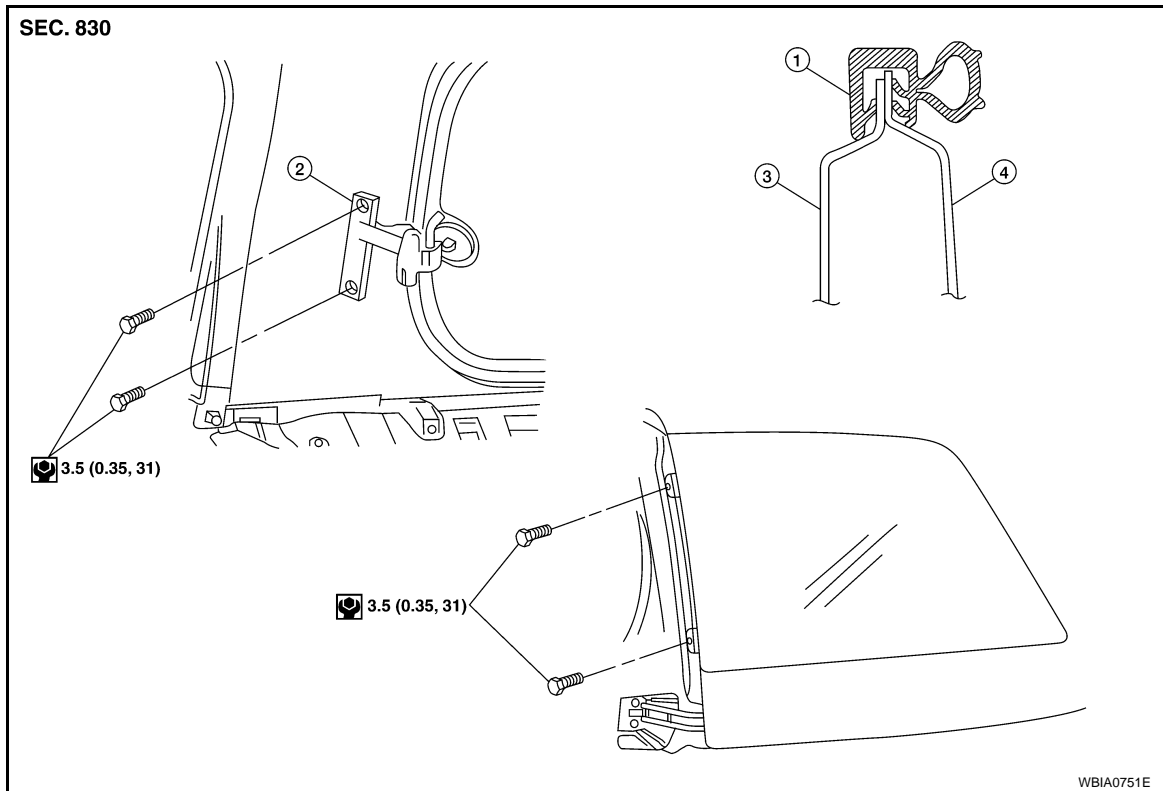
# SIDE WINDOW GLASS

< SERVICE INFORMATION >

## SIDE WINDOW GLASS

### Removal and Installation (without Rear Power Vent Windows)

INFOID:000000004278550



1. Molding
2. window latch
3. Rear fender
4. Inner side panel

### REMOVAL

1. Remove the rear pillar upper finisher. Refer to [EI-31](#).
2. Remove the rear side window latch bolts.
3. Disconnect the antenna.
4. Remove the side window front bolts and glass.

#### **CAUTION:**

- Be careful not to scratch the glass when removing.
- Do not set or stand glass on its edge. Small chips may develop into cracks.

### INSTALLATION

1. Install the glass from outside to insure that it is even with the top and bottom of the opening. Tighten side window front bolts to the specified torque.
2. Install rear side window latch bolts.
3. Connect the antenna.
4. Install rear pillar upper finisher. Refer to [EI-31](#).

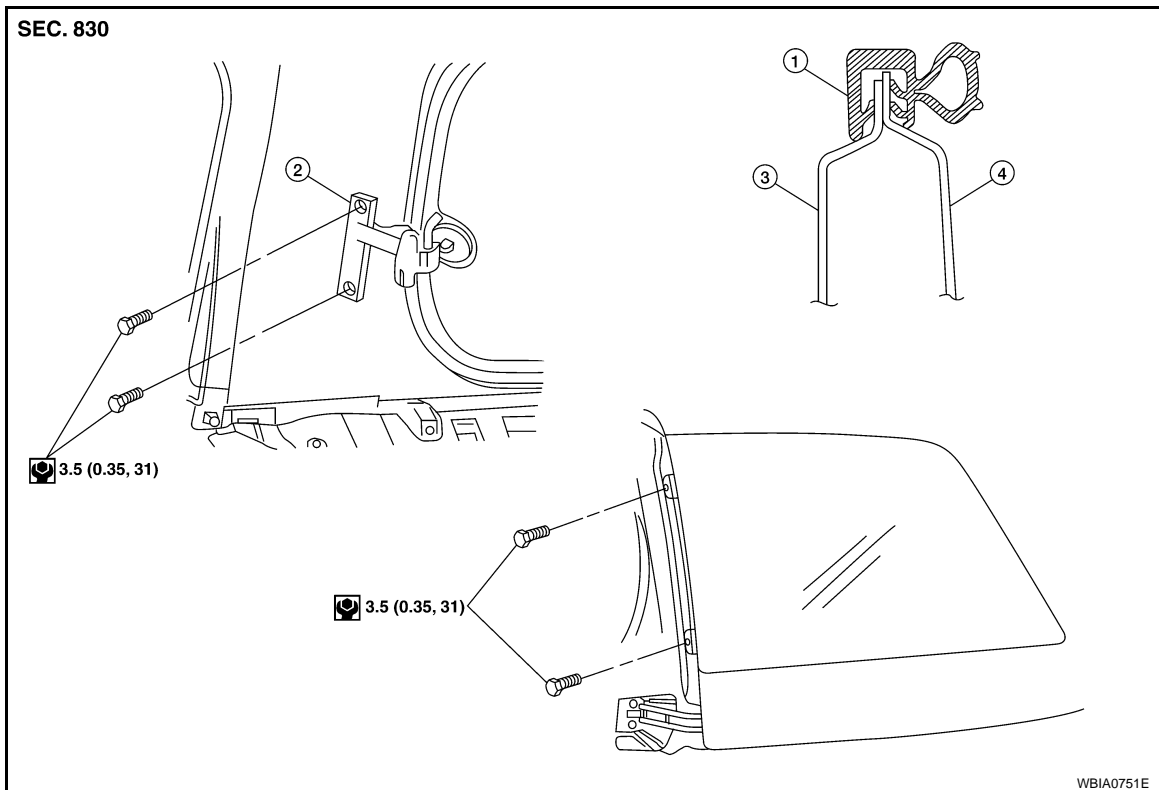


# SIDE WINDOW GLASS

< SERVICE INFORMATION >

## Removal and Installation (with Rear Power Vent Windows)

INFOID:000000004278551



1. Molding
2. Window latch
3. Rear fender
4. Inner side panel

### REMOVAL

1. Remove the rear pillar upper finisher. Refer to [EI-31](#).
2. Disconnect the antenna.
3. Disconnect the rear side window motor harness.
4. Remove the rear side window motor bolts.
5. Remove the side window front bolts and glass.

#### **CAUTION:**

- Be careful not to scratch the glass when removing.
- Do set or stand glass on its edge. Small chips may develop into cracks.

### INSTALLATION

1. Install the glass from outside to insure that it is even with the top and bottom of the opening. Tighten side window front bolts to the specified torque.
2. Install rear side window motor bolts.
3. Connect the rear side window motor harness.
4. Connect the antenna.
5. Install rear pillar upper finisher. Refer to [EI-31](#).

# INSIDE MIRROR

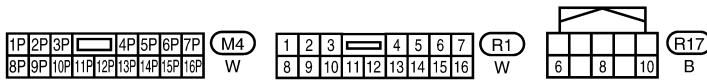
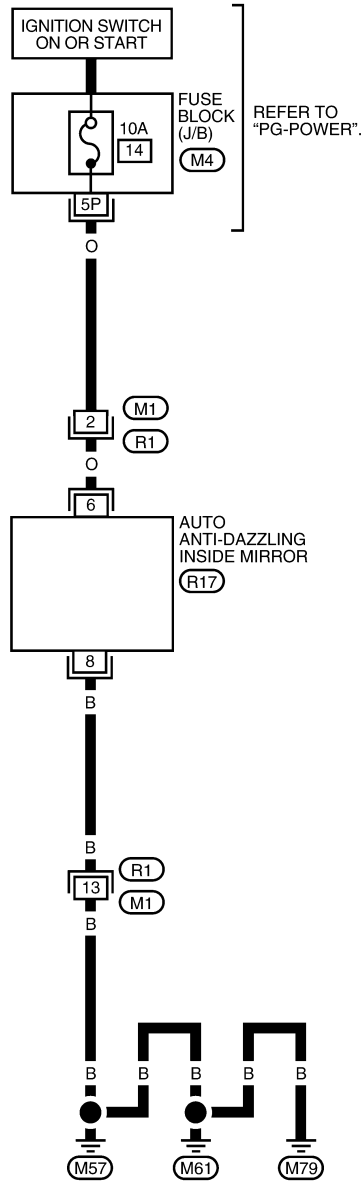
< SERVICE INFORMATION >

## INSIDE MIRROR

Wiring Diagram - I/MIRR -

INFOID:000000004278552

GW-I/MIRR-01



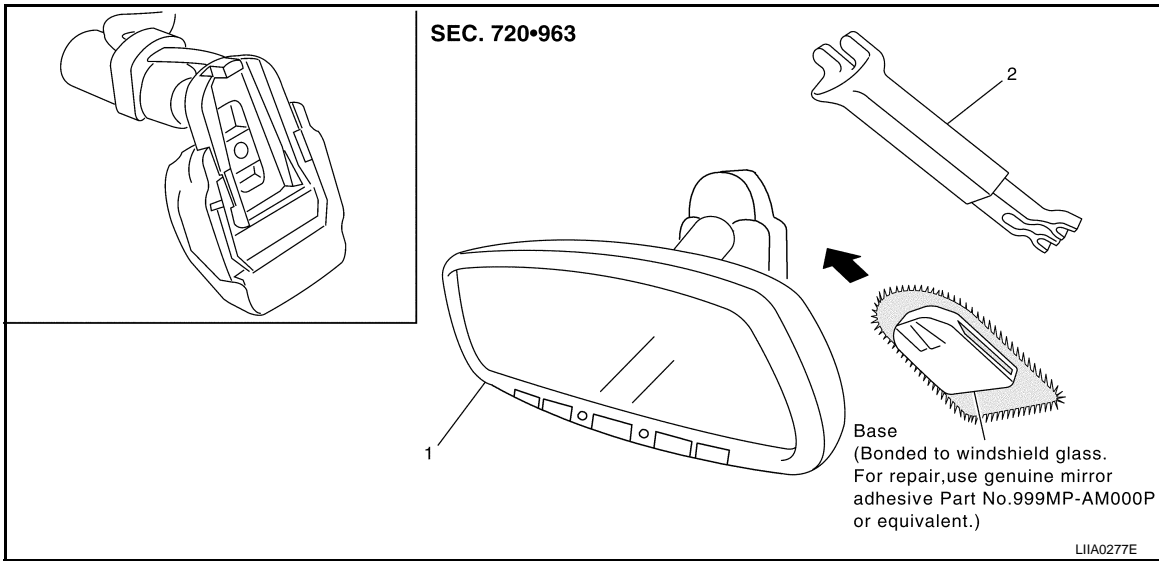
WIWA1783E

# INSIDE MIRROR

< SERVICE INFORMATION >

## Removal and Installation

INFOID:000000004278553



1. Inside mirror
2. Inside mirror finisher

### REMOVAL

1. Remove inside mirror finisher.
2. Remove inside mirror screw.
3. Slide the mirror upward to remove.
4. Disconnect the connector.

### INSTALLATION

Installation is in the reverse order of removal.

A  
B  
C  
D  
E  
F  
G  
H  
J  
K  
L  
M  
N  
O  
P

GW

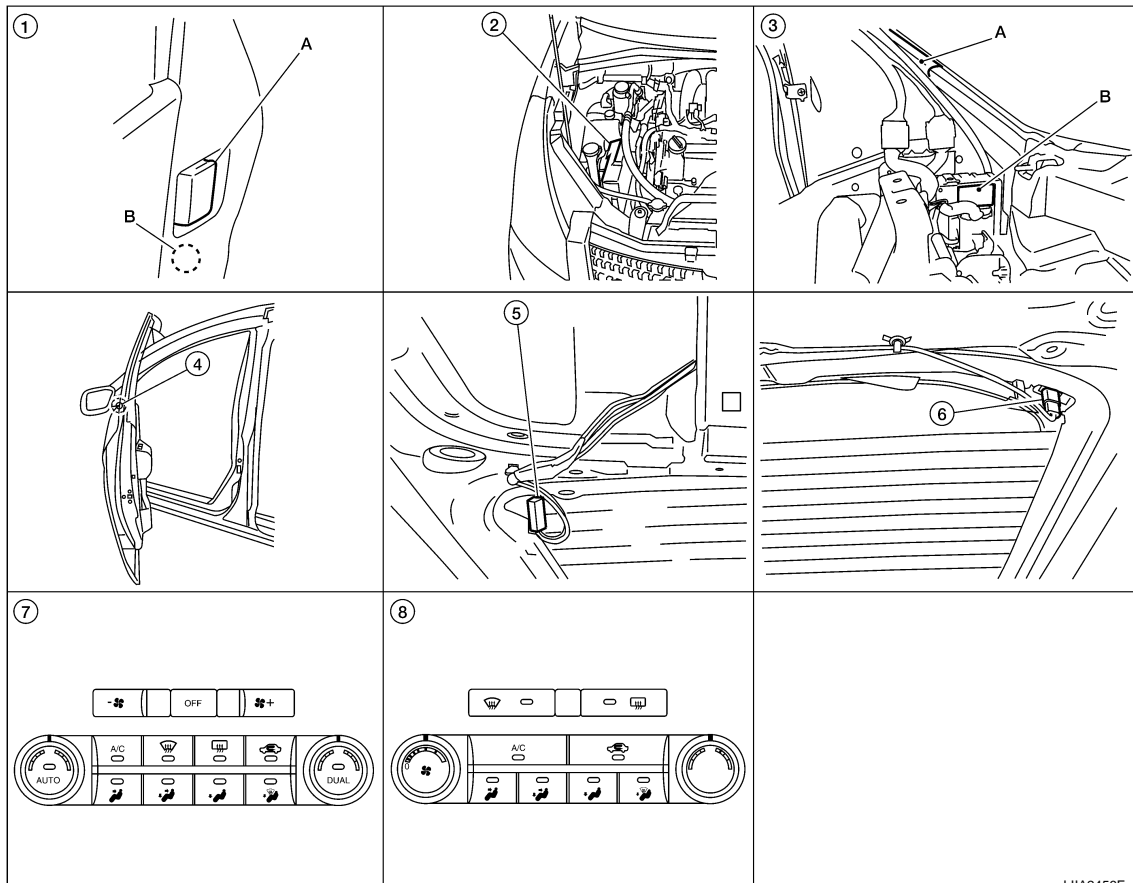
# REAR WINDOW DEFOGGER

< SERVICE INFORMATION >

## REAR WINDOW DEFOGGER

### Component Parts and Harness Connector Location

INFOID:000000004278554



LIA2456E

- |  |   |  |
|--|---|--|
| <p>1. A. Hood opener<br/>B. Rear window defogger relay B4</p>                                      | <p>2. IPDM E/R E119, E121, E124</p>   | <p>3. A. A-pillar LH<br/>B. BCM M18, M19 (view with instrument panel removed)</p>                                  |
| <p>4. Door mirror LH (door mirror defogger) D13<br/>Door mirror RH (door mirror defogger) D113</p> | <p>5. Rear window defogger D504 (view of back door LH with back door upper finishers removed)</p> | <p>6. Rear window defogger ground connector D515 (view of back door RH with back door upper finishers removed)</p> |
| <p>7. Front air control M49, M50 (with automatic air conditioner)</p>                              | <p>8. Front air control M49, M50 (with manual air conditioner)</p>                                |  |

### System Description

INFOID:000000004278555

The rear window defogger system is controlled by BCM (body control module) and IPDM E/R (intelligent power distribution module engine room).

The rear window defogger operates only for approximately 15 minutes.

Power is supplied at all times

- through 20A fuses (No. 32 and 37, located in the IPDM E/R)
- to rear window defogger relay terminals 3 and 6
- through 50A fusible link (letter j, located in the fuse and fusible link box)
- to BCM terminal 70.

With the ignition switch turned to ON or START position, power is supplied

- through 10A fuse [No.12, located in the fuse block (J/B)]
- to rear window defogger relay terminal 1
- through 10A fuse [No.16, located in the fuse block (J/B)]
- to BCM terminal 38
- through 10A fuse [No. 2, located in the fuse block (J/B)]

# REAR WINDOW DEFOGGER

## < SERVICE INFORMATION >

---

- to front air control terminal 15.

Ground is supplied

- to BCM terminal 67
- to front air control terminal 36
- through body grounds M57, M61 and M79
- to IPDM E/R terminals 38 and 60
- through body grounds E9, E15 and E24.

When front air control (rear window defogger switch) is turned to ON, ground is supplied

- to BCM terminal 9
- through front air control terminal 16
- through front air control terminal 36
- through body grounds M57, M61 and M79.

Then rear window defogger switch is illuminated.

Then BCM recognizes that rear window defogger switch is turned to ON.

Then it sends rear window defogger switch signals to IPDM E/R and display control unit (with color display) via CAN communication (CAN-H, CAN-L).

When IPDM E/R receives rear window defogger switch signals, ground is supplied

- to rear window defogger relay terminal 2
- through IPDM E/R terminal 52
- through IPDM E/R terminal 60
- through body grounds E9, E15 and E24.

Then rear window defogger relay is energized.

With power and ground supplied, rear window defogger filaments heat and defog the rear window.

When rear window defogger relay is turned to ON (with door mirror defogger), power is supplied

- through rear window defogger relay terminal 5
- through fuse block (J/B) terminal 2Q
- through 10A fuse [No. 8, located in the fuse block (J/B)]
- through fuse block (J/B) terminal 5N
- to door mirror defogger (LH and RH) terminal 6.

Door mirror defogger (LH and RH) terminal 5 is grounded through body grounds M57, M61 and M79.

With power and ground supplied, door mirror defogger filaments heat and defog the mirror.

## CAN Communication System Description

INFOID:000000004278556

Refer to [LAN-3. "CAN Communication System"](#).

A

B

C

D

E

F

G

H

GW

J

K

L

M

N

O

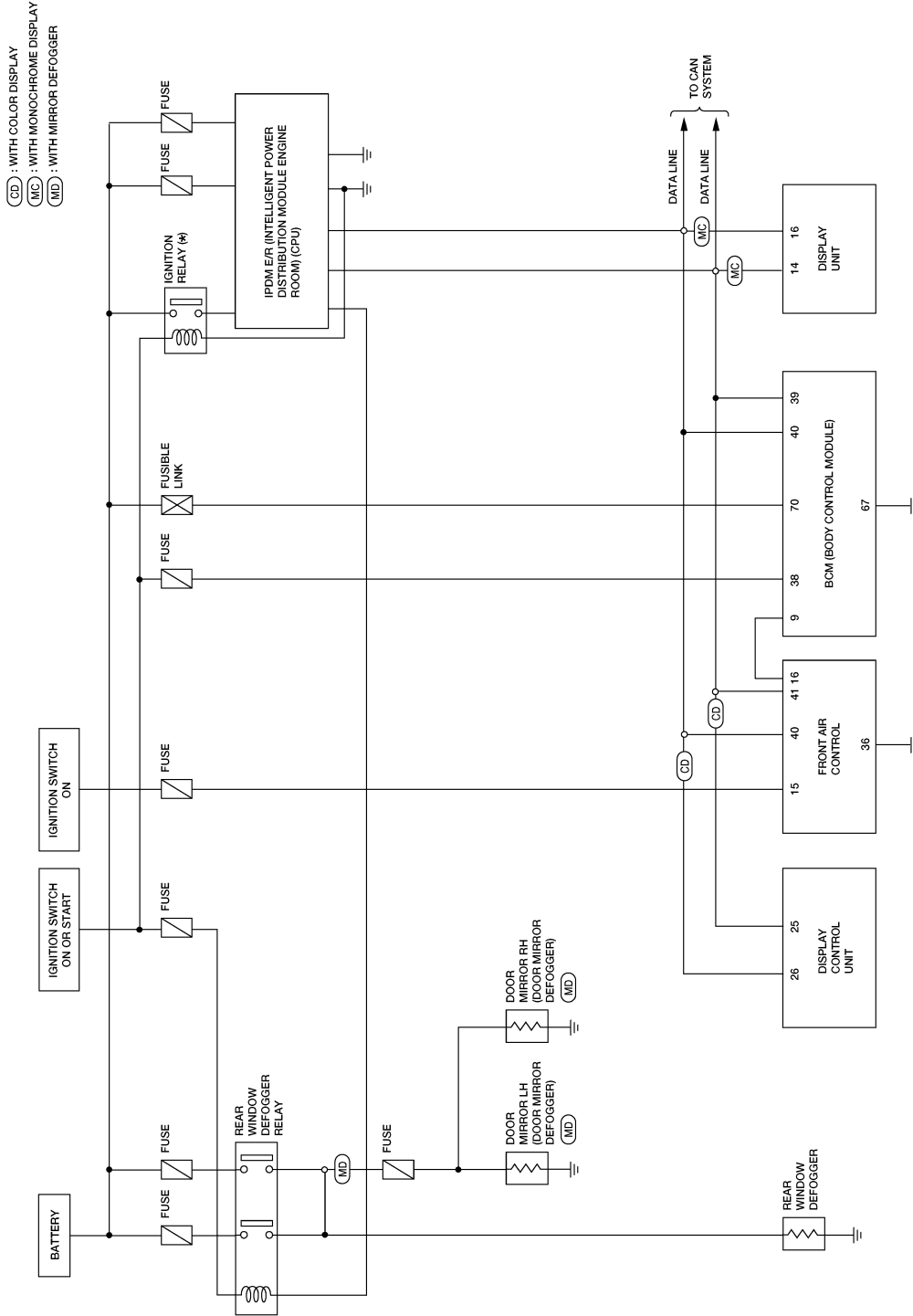
P

# REAR WINDOW DEFOGGER

< SERVICE INFORMATION >

## Schematic

INFOID:000000004278557



\* : THIS RELAY IS BUILT INTO THE IPDM E/R (INTELLIGENT POWER DISTRIBUTION MODULE ENGINE ROOM)

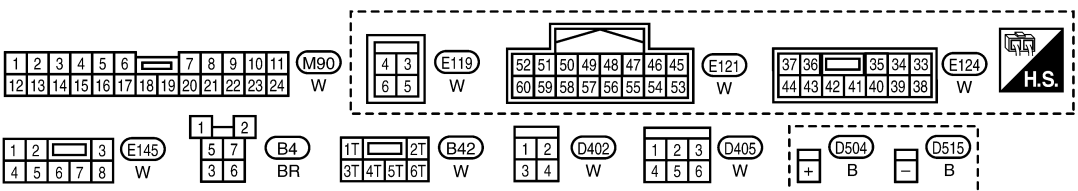
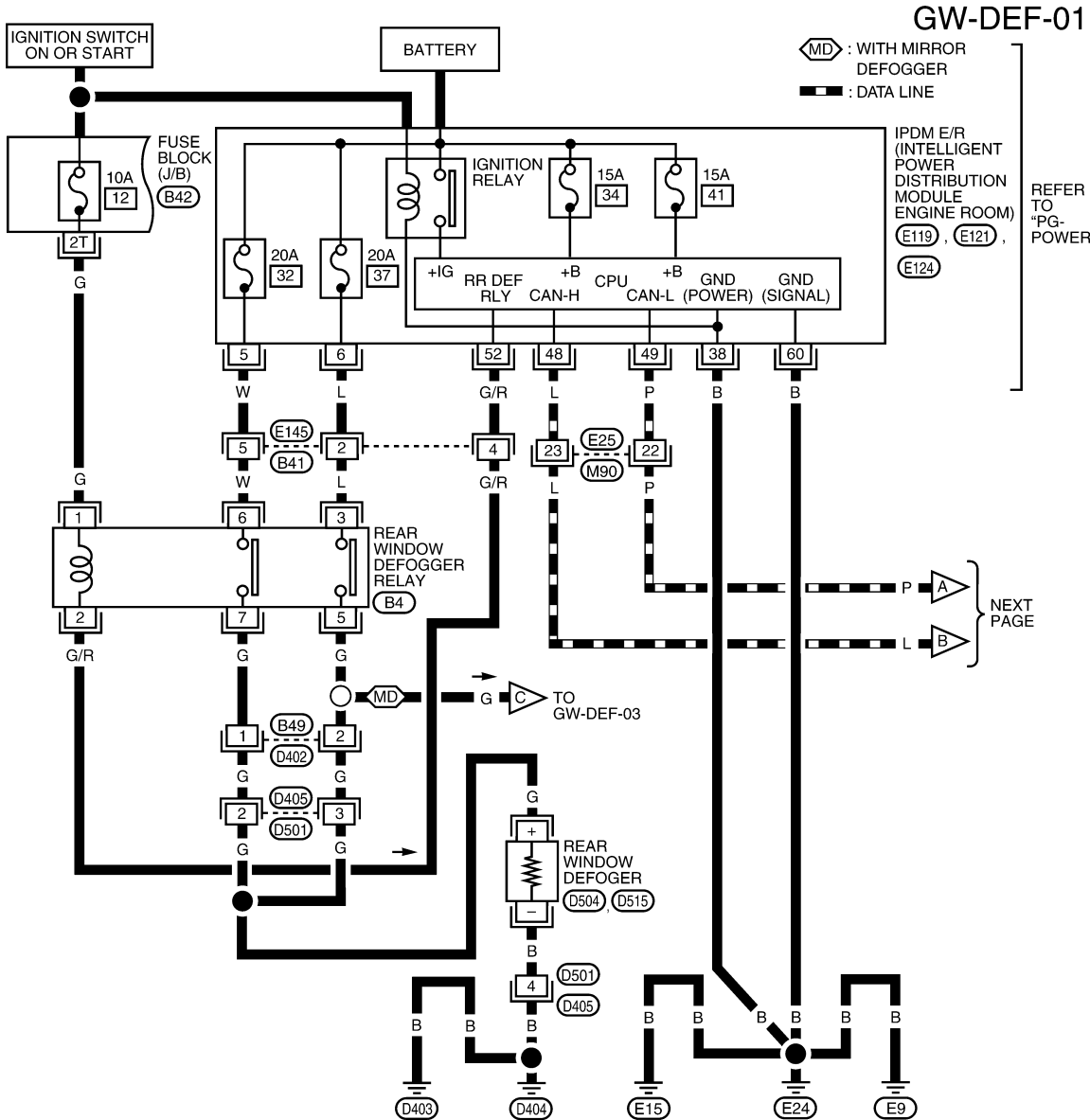
WIWA1784E

# REAR WINDOW DEFOGGER

< SERVICE INFORMATION >

## Wiring Diagram - DEF -

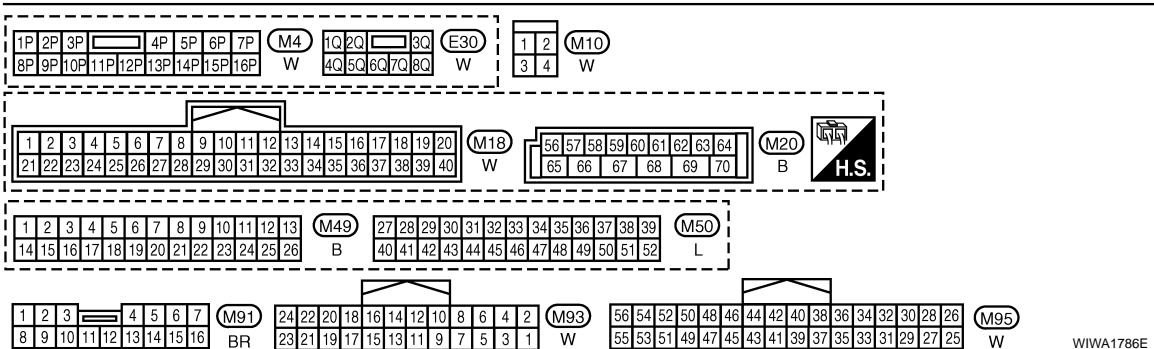
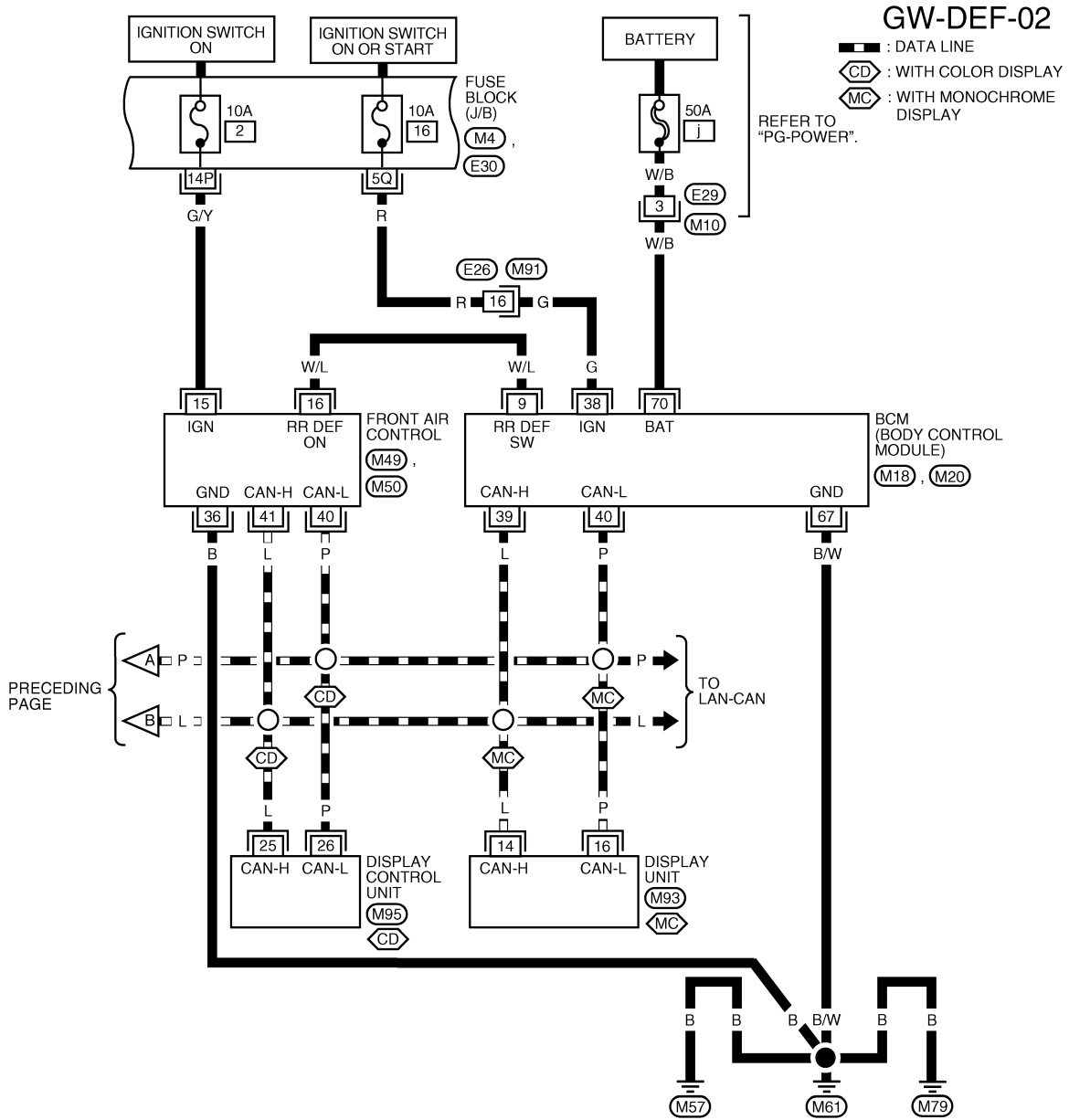
INFOID:000000004278558



ALLWA0136GB

# REAR WINDOW DEFOGGER

< SERVICE INFORMATION >



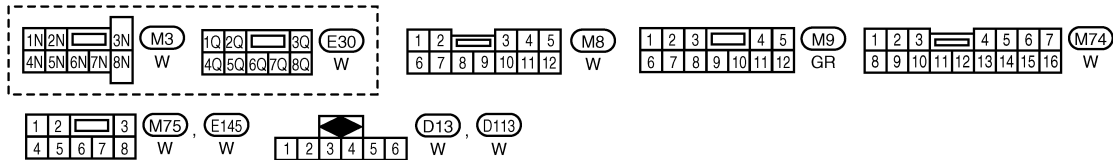
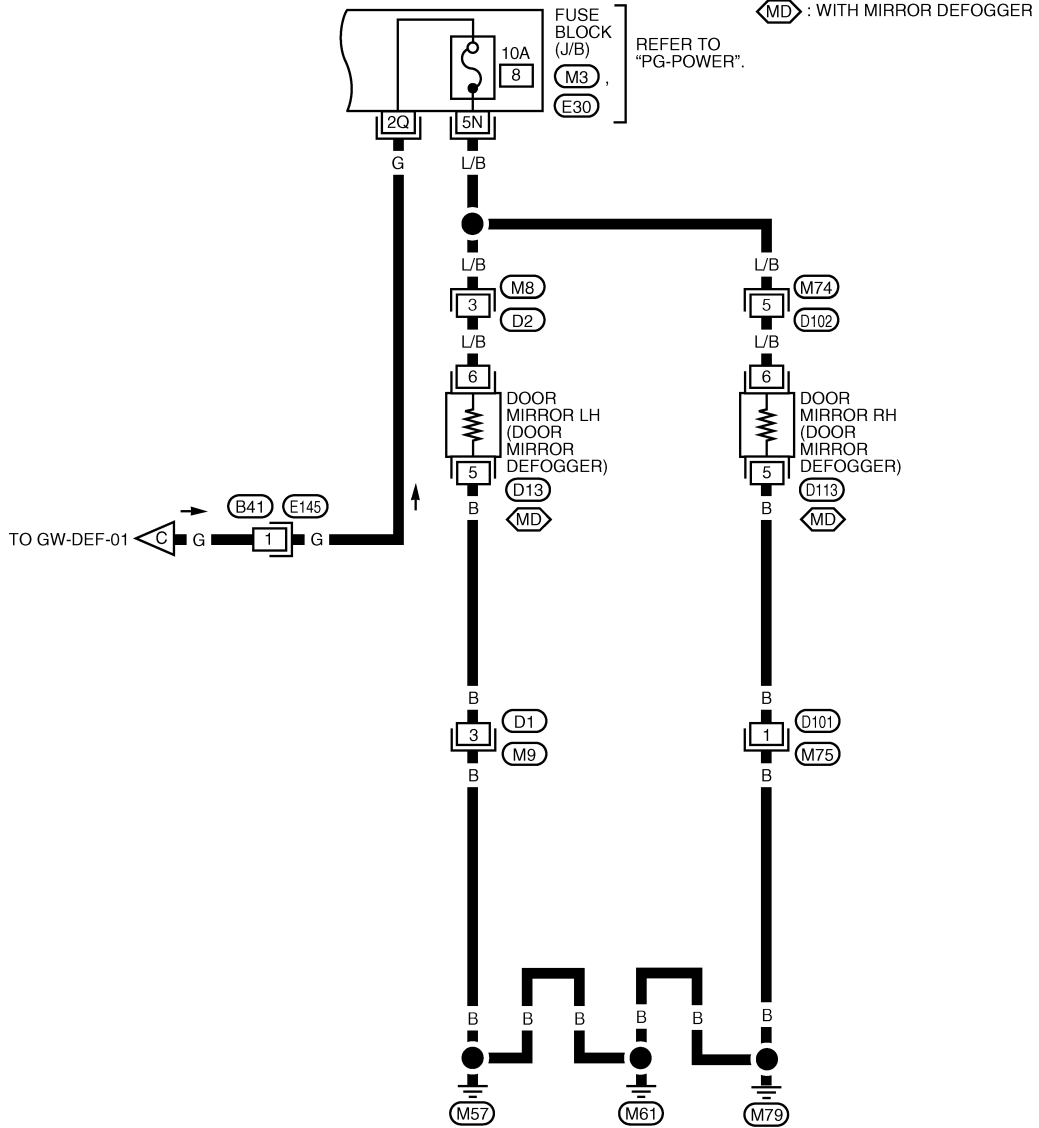
WIWA1786E



# REAR WINDOW DEFOGGER

< SERVICE INFORMATION >

GW-DEF-03



WIWA1787E

Terminal and Reference Value for BCM

Refer to [BCS-11, "Terminal and Reference Value for BCM"](#).

Terminal and Reference Value for IPDM E/R

Refer to [PG-24, "Terminal and Reference Value for IPDM E/R"](#).

INFOID:000000004278559

INFOID:000000004278560

# REAR WINDOW DEFOGGER

< SERVICE INFORMATION >

## Work Flow

INFOID:000000004278561

1. Check the symptom and customer's requests.
2. Understand the outline of system. Refer to [GW-76. "System Description"](#).
3. According to the trouble diagnosis chart, repair or replace the cause of the malfunction. Refer to [GW-82. "Trouble Diagnosis Symptom Chart"](#).
4. Does rear window defogger operate normally? YES: GO TO 5, NO: GO TO 3.
5. Inspection End.

## CONSULT-III Function (BCM)

INFOID:000000004278562

CONSULT-III can display each diagnostic item using the diagnostic test modes shown following.

BCM diagnostic test item	Diagnostic mode	Content
Inspection by part	WORK SUPPORT	Supports inspections and adjustments. Commands are transmitted to the BCM for setting the status suitable for required operation, input/output signals are received from the BCM and received data is displayed.
	DATA MONITOR	Displays BCM input/output data in real time.
	ACTIVE TEST	Operation of electrical loads can be checked by sending drive signal to them.
	SELF-DIAG RESULTS	Displays BCM self-diagnosis results.
	CAN DIAG SUPPORT MNTN	The results of transmit/receive diagnosis of CAN communication can be read.
	ECU PART NUMBER	BCM part number can be read.
	CONFIGURATION	Performs BCM configuration read/write functions.

## DATA MONITOR

### Display Item List

Monitor item "Operation"	Content
REAR DEF SW	"ON/OFF" Displays "Press (ON)/others (OFF)" status determined with the rear window defogger switch.
IGN ON SW	"ON/OFF" Displays "IGN (ON)/OFF" status determined with the ignition switch signal.

## ACTIVE TEST

### Display Item List

Test item	Content
REAR WINDOW DEFOGGER	Gives a drive signal to the rear window defogger to activate it.

## Trouble Diagnosis Symptom Chart

INFOID:000000004278563

- Make sure other systems using the signal of the following systems operate normally.

Symptom	Diagnoses/Service procedure	Refer to page
Rear window defogger and door mirror defoggers do not operate. (With door mirror defogger)	1. BCM power supply and ground circuit check	<a href="#">BCS-15</a>
	2. IPDM E/R auto active test check	<a href="#">PG-20</a>
	3. Rear window defogger switch circuit check	<a href="#">GW-83</a>
	4. Rear window defogger power supply circuit check	<a href="#">GW-84</a>
	5. Replace IPDM E/R	<a href="#">PG-28</a>

# REAR WINDOW DEFOGGER

## < SERVICE INFORMATION >

Symptom	Diagnoses/Service procedure	Refer to page
Rear window defogger does not operate. (Without door mirror defogger)	1. BCM power supply and ground circuit check	<a href="#">BCS-15</a>
	2. IPDM E/R auto active test check	<a href="#">PG-20</a>
	3. Rear window defogger switch circuit check	<a href="#">GW-83</a>
	4. Rear window defogger power supply circuit check	<a href="#">GW-84</a>
	5. Rear window defogger circuit check	<a href="#">GW-85</a>
	6. Filament check	<a href="#">GW-90</a>
	7. Replace IPDM E/R	<a href="#">PG-28</a>
Rear window defogger does not operate but both door mirror defoggers operate. (With door mirror defogger)	1. Rear window defogger circuit check	<a href="#">GW-85</a>
	2. Filament check	<a href="#">GW-90</a>
Both door mirror defoggers do not operate but rear window defogger operates. (With door mirror defogger)	1. Door mirror defogger power supply circuit check	<a href="#">GW-86</a>
Door mirror LH defogger does not operate.	1. Door mirror LH defogger circuit check	<a href="#">GW-88</a>
Door mirror RH defogger does not operate.	1. Door mirror RH defogger circuit check	<a href="#">GW-89</a>
Rear window defogger switch does not light, and rear window defogger is not displayed on the color display (if equipped), but rear window defogger operates.	1. Rear window defogger signal check	<a href="#">GW-89</a>

### BCM Power Supply and Ground Circuit Inspection

INFOID:000000004278564

Refer to [BCS-15](#), "BCM Power Supply and Ground Circuit Inspection".

### Rear Window Defogger Switch Circuit Inspection

INFOID:000000004278565

## 1. CHECK REAR WINDOW DEFOGGER SWITCH OPERATION

### With CONSULT-III

Check ("REAR DEF SW", "IGN ON SW") in DATA MONITOR mode with CONSULT-III.

**When rear window defogger switch is turned to ON**

**REAR DEF SW: ON**

**When ignition switch is turned to ON**

**IGN ON SW: ON**

### Without CONSULT-III

- Turn ignition switch ON.
- Check voltage between BCM connector ground.

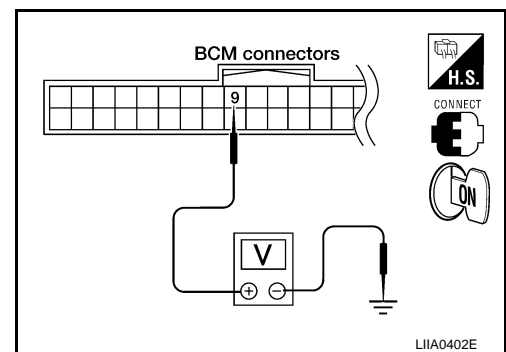
Connector	Terminals		Condition	Voltage (V) (Approx.)
	(+)	(-)		
M18	9	Ground	Rear window defogger switch is pressed.	0
			Rear window defogger switch is OFF.	5

### OK or NG

OK >> Rear window defogger switch check is OK.

NG >> GO TO 2.

## 2. CHECK REAR WINDOW DEFOGGER SWITCH CIRCUIT HARNESS CONTINUITY



# REAR WINDOW DEFOGGER

## < SERVICE INFORMATION >

1. Turn ignition switch OFF.
2. Disconnect BCM and front air control.
3. Check continuity between BCM connector M18 (A) terminal 9 and front air control connector M49 (B) terminal 16.

**9 - 16 : Continuity should exist.**

4. Check continuity between BCM connector M18 terminal 9 and ground

**9 - Ground : Continuity should not exist.**

### OK or NG

- OK >> GO TO 3.
- NG >> Repair or replace harness.

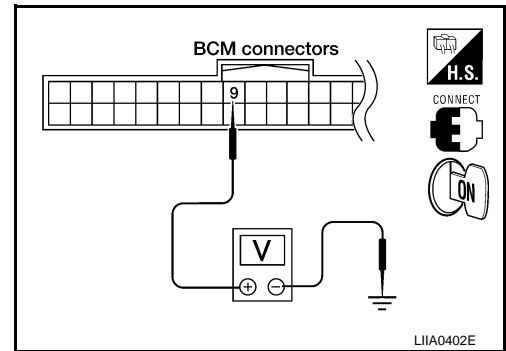
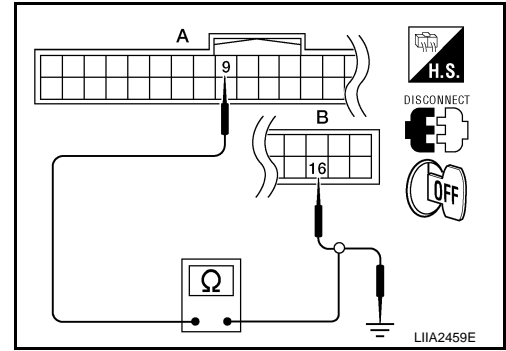
## 3.CHECK BCM OUTPUT SIGNAL

1. Connect BCM.
2. Turn ignition switch ON.
3. Check voltage between BCM connector M18 terminal 9 and ground.

**9 - Ground : Approx. 5V**

### OK or NG

- OK >> Replace front air control. Refer to [ATC-127](#).
- NG >> Replace BCM. Refer to [BCS-17](#). "[Removal and Installation of BCM](#)".



## Rear Window Defogger Power Supply Circuit Inspection

INFOID:000000004278566

## 1.CHECK FUSES

Check if any of the following fuses in fuse block (J/B) and IPDM E/R are blown.

COMPONENT PARTS	TERMINAL NO. (SIGNAL)	AMPERE	FUSE NO.
Fuse block (J/B)	2T (Ignition power supply)	10A	12
IPDM E/R	5 (Battery power supply)	20A	32
	6 (Battery power supply)	20A	37

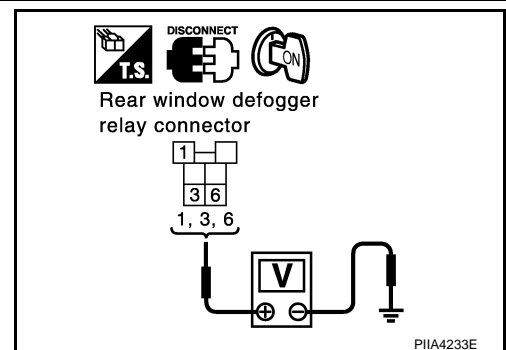
### OK or NG

- OK >> GO TO 2.
- NG >> If fuse is blown, be sure to eliminate cause of malfunction before installing new fuse, refer to [PG-3](#).

## 2.CHECK REAR WINDOW DEFOGGER RELAY POWER SUPPLY CIRCUIT

1. Turn ignition switch OFF.
2. Disconnect rear window defogger relay.
3. Turn ignition switch ON.
4. Check voltage between rear window defogger relay connector and ground.

Connector	Terminals		Voltage (V) (Approx.)
	(+)	(-)	
B4	1	Ground	Battery voltage
	3		
	6		



### OK or NG

- OK >> GO TO 3.

# REAR WINDOW DEFOGGER

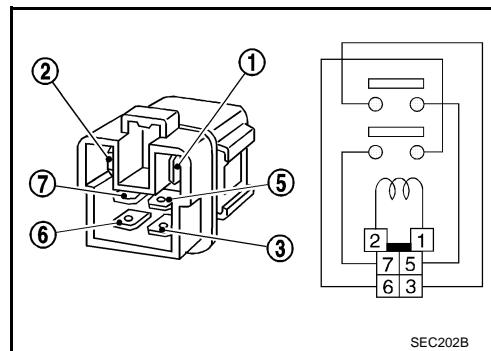
## < SERVICE INFORMATION >

NG >> Repair or replace harness.

### 3. CHECK REAR WINDOW DEFOGGER RELAY

Check continuity between rear window defogger relay terminals 3 and 5, 6 and 7.

Terminals		Condition	Continuity
6	7	12V direct current supply between terminals 1 and 2	Yes
		No current supply	No
3	5	12V direct current supply between terminals 1 and 2	Yes
		No current supply	No



OK or NG

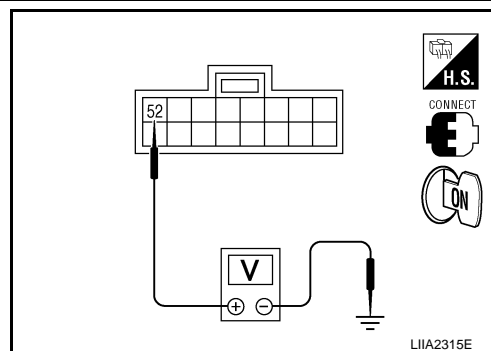
OK >> GO TO 4.

NG >> Replace rear window defogger relay.

### 4. CHECK REAR WINDOW DEFOGGER RELAY GROUND CIRCUIT

1. Install rear window defogger relay.
2. Turn ignition switch ON.
3. Check voltage between IPDM E/R connector E121 terminal 52 and ground.

Connector	Terminals		Condition	Voltage (V) (Approx.)
	(+)	(-)		
E121	52	Ground	When rear window defogger switch ON	0
			When rear window defogger switch OFF	Battery voltage



OK or NG

OK >> Rear window defogger power supply circuit check is OK.

NG >> GO TO 5.

### 5. CHECK IPDM E/R HARNESS

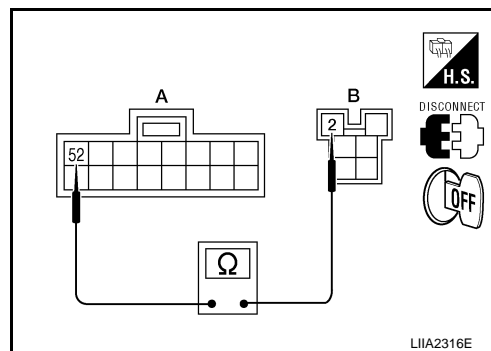
1. Turn ignition switch OFF.
2. Disconnect IPDM E/R and rear window defogger relay.
3. Check continuity between IPDM E/R connector E121 (A) terminal 52 and rear window defogger relay connector B4 (B) terminal 2.

**52 - 2 : Continuity should exist.**

OK or NG

OK >> Replace IPDM E/R. Refer to [PG-28, "Removal and Installation of IPDM E/R"](#).

NG >> Repair or replace harness.



## Rear Window Defogger Circuit Inspection

INFOID:000000004278567

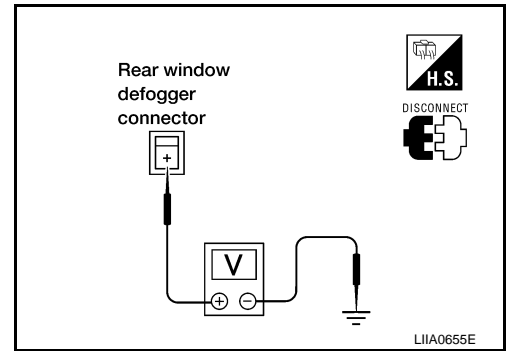
### 1. CHECK REAR WINDOW DEFOGGER POWER SUPPLY CIRCUIT

# REAR WINDOW DEFOGGER

## < SERVICE INFORMATION >

1. Turn ignition switch OFF.
2. Disconnect rear window defogger.
3. Turn ignition switch ON.
4. Check voltage between rear window defogger connector D504 terminal + and ground.

Connector	Terminals		Condition	Voltage (V) (Approx.)
	(+)	(-)		
D504	+	Ground	Rear window defogger switch ON.	Battery voltage
			Rear window defogger switch OFF.	0



### OK or NG

- OK >> GO TO 2.  
NG >> GO TO 3.

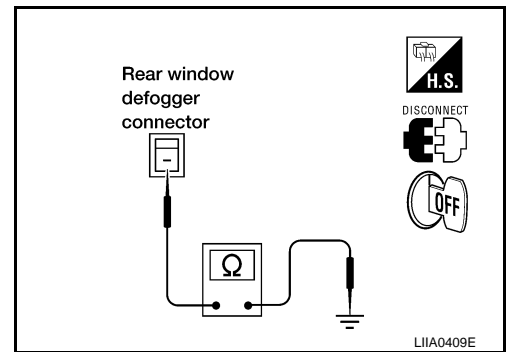
## 2.CHECK REAR WINDOW DEFOGGER GROUND CIRCUIT

1. Turn ignition switch OFF.
2. Check continuity between rear window defogger connector D515 terminal - and ground.

**-- Ground : Continuity should exist.**

### OK or NG

- OK >> Check filament. Refer to [GW-90. "Filament Check"](#).
- If filament is OK. Check the condition of the harness and the connector.
  - If filament is NG. Repair filament.
- NG >> Repair or replace harness.



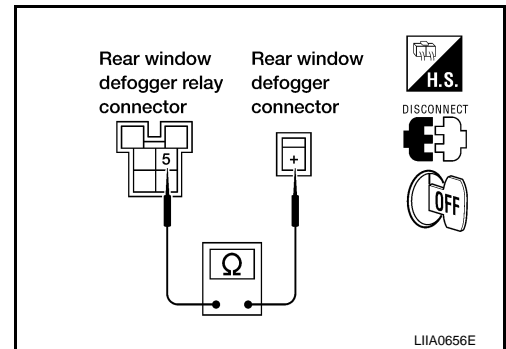
## 3.CHECK REAR WINDOW DEFOGGER HARNESS

1. Turn ignition switch OFF.
2. Disconnect rear window defogger relay.
3. Check continuity between rear window defogger relay connector B4 terminal 5 and rear window defogger connector D504 terminal +.

**5 - + : Continuity should exist.**

### OK or NG

- OK >> Check the condition of the harness and the connector.  
NG >> Repair or replace harness.



## Door Mirror Defogger Power Supply Circuit Inspection

INFOID:000000004278568

### 1.CHECK FUSE

Check if the following fuse in fuse block (J/B) is blown.

COMPONENT PARTS	TERMINAL NO. (SIGNAL)	AMPERE	FUSE NO.
Fuse block (J/B)	5N (Battery power supply)	10A	8

### OK or NG

- OK >> GO TO 2.  
NG >> If fuse is blown, be sure to eliminate cause of malfunction before installing new fuse. Refer to [PG-3](#).

## 2.CHECK DOOR MIRROR DEFOGGER POWER SUPPLY CIRCUIT 1

# REAR WINDOW DEFOGGER

## < SERVICE INFORMATION >

1. Turn ignition switch ON.
2. Check voltage between fuse block (J/B) connector and ground.

Connector	Terminals		Condition	Voltage (V) (Approx.)
	(+)	(-)		
E30	2Q	Ground	Rear window defogger switch ON	Battery voltage
			Rear window defogger switch OFF	0

### OK or NG

- OK >> GO TO 3.  
 NG >> Repair or replace harness.

## 3. CHECK DOOR MIRROR DEFOGGER POWER SUPPLY CIRCUIT 2

Check voltage between fuse block (J/B) connector and ground.

Connector	Terminals		Condition	Voltage (V) (Approx.)
	(+)	(-)		
M3	5N	Ground	Rear window defogger switch ON	Battery voltage
			Rear window defogger switch OFF	0

### OK or NG

- OK >> GO TO 4.  
 NG >> Replace fuse block (J/B).

## 4. CHECK DOOR MIRROR DEFOGGER CIRCUIT

1. Turn ignition switch OFF.
2. Disconnect fuse block (J/B) and door mirror LH or RH.
3. Check continuity between fuse block (J/B) connector M3 terminal 5N and door mirror connector D13 (LH) or D113 (RH) terminal 6.

**5N - 6 : Continuity should exist.**

### OK or NG

- OK >> GO TO 5.  
 NG >> Repair or replace harness.

## 5. CHECK DOOR MIRROR DEFOGGER GROUND CIRCUIT

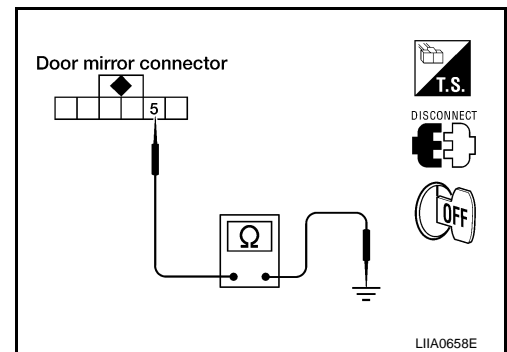
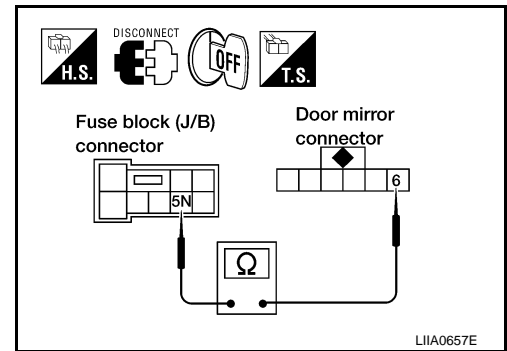
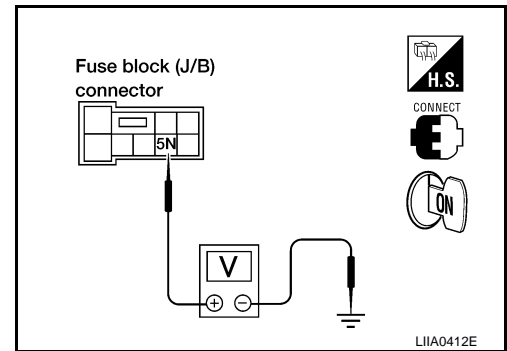
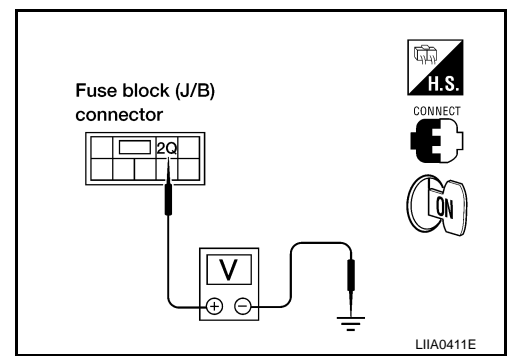
Check continuity between each door mirror connector D13 (LH) or D113 (RH) terminal 5 and ground.

**5 - Ground : Continuity should exist.**

### OK or NG

- OK >> GO TO 6.  
 NG >> Repair or replace harness.

## 6. CHECK DOOR MIRROR DEFOGGER



# REAR WINDOW DEFOGGER

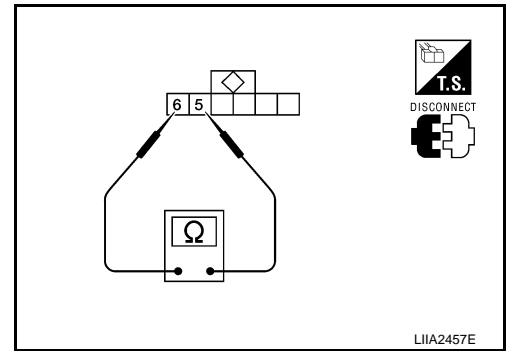
## < SERVICE INFORMATION >

Check continuity between each door mirror terminals 5 and 6.

**6 - 5 : Continuity should exist.**

### OK or NG

- OK >> Repair or replace harness.
- NG >> Replace malfunctioning door mirror LH or RH. Refer to [GW-93. "Door Mirror Assembly"](#).



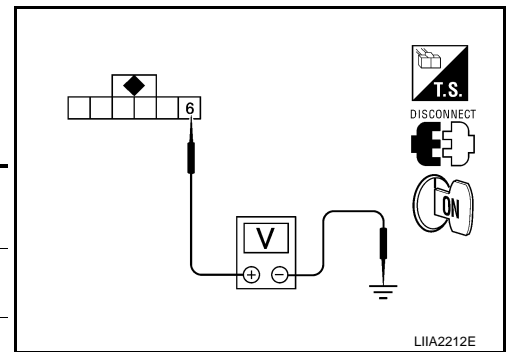
## Door Mirror LH Defogger Circuit Inspection

INFOID:000000004278569

### 1. CHECK DOOR MIRROR DEFOGGER POWER SUPPLY CIRCUIT

1. Turn ignition switch OFF.
2. Disconnect door mirror LH.
3. Turn ignition switch ON.
4. Check voltage between door mirror LH connector and ground.

Connector	Terminals		Condition	Voltage (V) (Approx.)
	(+)	(-)		
D13	6	Ground	Rear window defogger switch ON	Battery voltage
			Rear window defogger switch OFF	0



### OK or NG

- OK >> GO TO 2.
- NG >> Repair or replace harness.

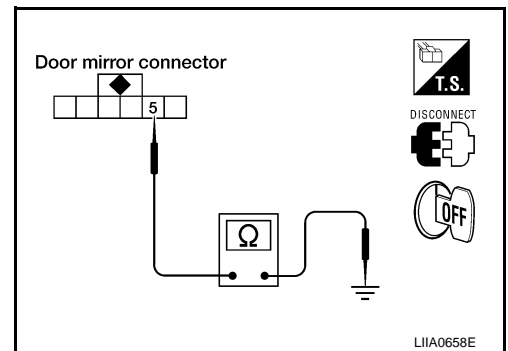
### 2. CHECK DOOR MIRROR DEFOGGER GROUND CIRCUIT

1. Turn ignition switch OFF.
2. Check continuity between door mirror LH connector D13 terminal 5 and ground.

**5 - Ground : Continuity should exist.**

### OK or NG

- OK >> GO TO 3.
- NG >> Repair or replace harness.



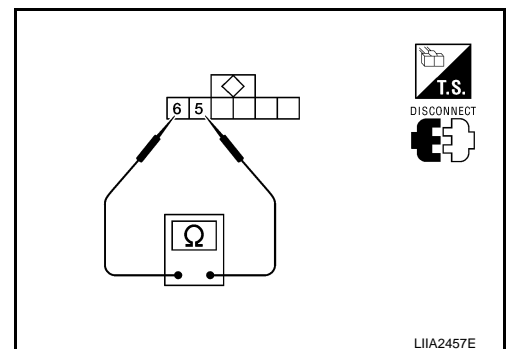
### 3. CHECK DOOR MIRROR DEFOGGER

Check continuity between door mirror LH terminals 5 and 6.

**6 - 5 : Continuity should exist.**

### OK or NG

- OK >> Repair or replace harness.
- NG >> Replace door mirror LH. Refer to [GW-93. "Door Mirror Assembly"](#).





# REAR WINDOW DEFOGGER

< SERVICE INFORMATION >

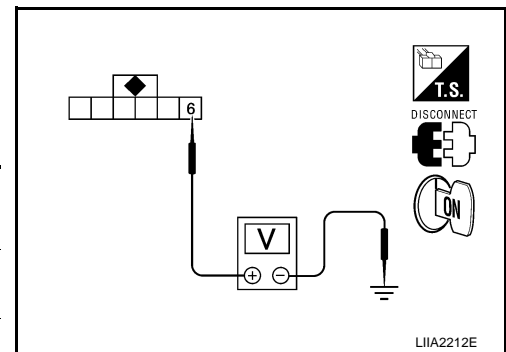
## Door Mirror RH Defogger Circuit Inspection

INFOID:000000004278570

### 1. CHECK DOOR MIRROR DEFOGGER POWER SUPPLY CIRCUIT

1. Turn ignition switch OFF.
2. Disconnect door mirror RH.
3. Turn ignition switch ON.
4. Check voltage between door mirror RH connector and ground.

Connector	Terminals		Condition	Voltage (V) (Approx.)
	(+)	(-)		
D113	6	Ground	Rear window defogger switch ON	Battery voltage
			Rear window defogger switch OFF	0



OK or NG

- OK >> GO TO 2.  
NG >> Repair or replace harness.

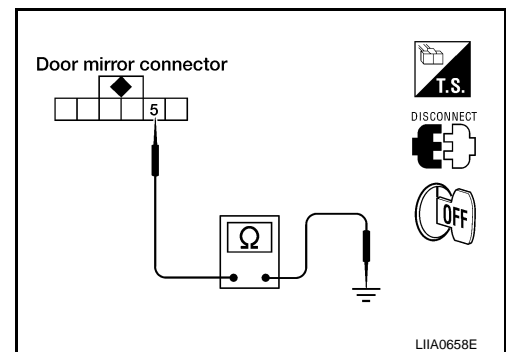
### 2. CHECK DOOR MIRROR DEFOGGER GROUND CIRCUIT

1. Turn ignition switch OFF.
2. Check continuity between door mirror RH connector D113 terminal 5 and ground.

**5 - Ground : Continuity should exist.**

OK or NG

- OK >> GO TO 3.  
NG >> Repair or replace harness.



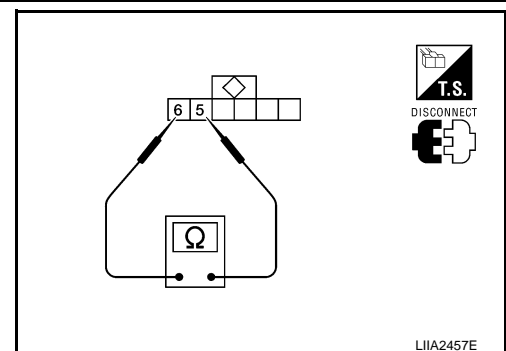
### 3. CHECK DOOR MIRROR DEFOGGER

Check continuity between each door mirror RH connector D113 terminals 5 and 6.

**6 - 5 : Continuity should exist.**

OK or NG

- OK >> Repair or replace harness.  
NG >> Replace door mirror RH. Refer to [GW-93, "Door Mirror Assembly"](#).



## Rear Window Defogger Signal Inspection

INFOID:000000004278571

### 1. CHECK AV COMMUNICATION LINE

AV communication line check is executed. Refer to [AV-145, "CAN Communication Line Check \(With Color Display\)"](#).

**Is rear window defogger displayed on the display?**

OK or NG

- OK >> GO TO 2.  
NG >> Replace display control unit. Refer to [AV-148, "Removal and Installation"](#).

### 2. CHECK CAN COMMUNICATION LINE

# REAR WINDOW DEFOGGER

## < SERVICE INFORMATION >

CAN communication line check is executed. Refer to [AV-145. "CAN Communication Line Check \(With Color Display\)"](#).

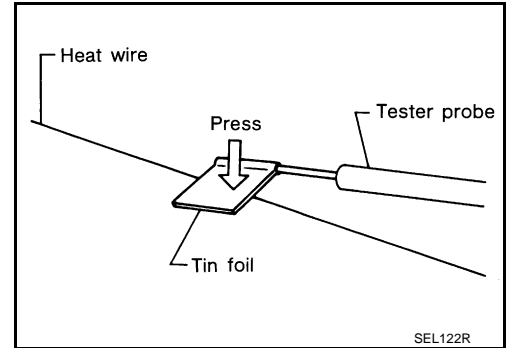
### OK or NG

- OK >> Check the condition of the harness and the connector.
- NG >> In addition, it is necessary to check CAN communication line. Refer to [AV-145. "CAN Communication Line Check \(With Color Display\)"](#).

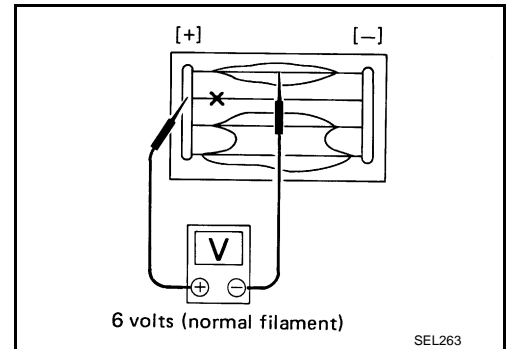
## Filament Check

INFOID:000000004278572

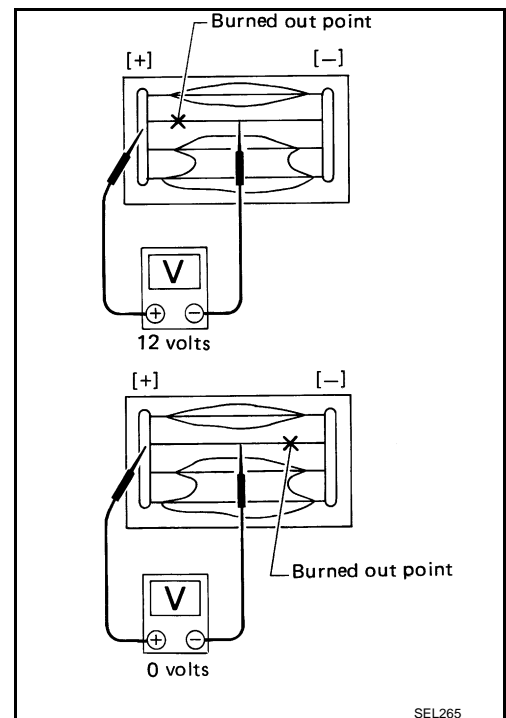
1. When measuring voltage, wrap tin foil around the top of the negative probe. Then press the foil against the wire with your finger.



2. Attach probe circuit tester (in Volt range) to middle portion of each filament.



3. If a filament is burned out, circuit tester registers 0 or battery voltage.
4. To locate burned out point, move probe to left and right along filament. Test needle will swing abruptly when probe passes the point.



# REAR WINDOW DEFOGGER

< SERVICE INFORMATION >

## Filament Repair

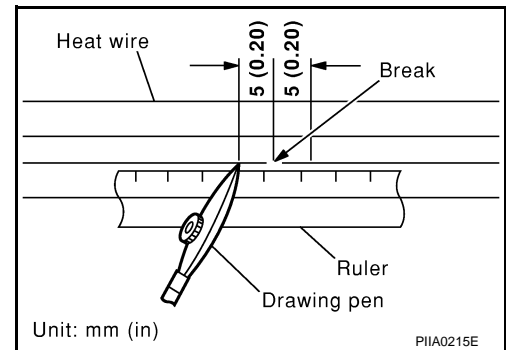
INFOID:000000004278573

### REPAIR EQUIPMENT

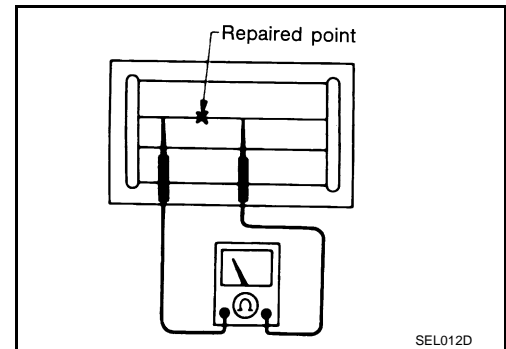
- Conductive silver composition (DuPont No. 4817 or equivalent)
- Ruler 30 cm (11.8 in) long
- Drawing pen
- Heat gun
- Alcohol
- Cloth

### REPAIRING PROCEDURE

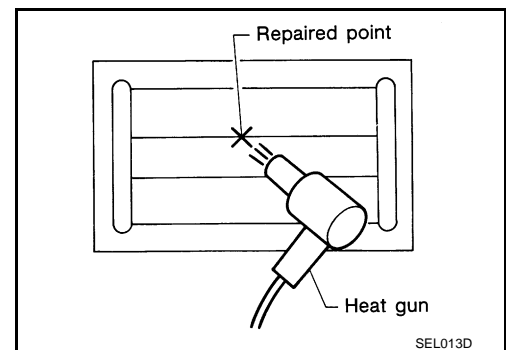
1. Wipe broken heat wire and its surrounding area clean with a cloth dampened in alcohol.
2. Apply a small amount of conductive silver composition to tip of drawing pen. Shake silver composition container before use.
3. Place ruler on glass along broken line. Deposit conductive silver composition on break with drawing pen. Slightly overlap existing heat wire on both sides [preferably 5 mm (0.20 in)] of the break.



4. After repair has been completed, check repaired wire for continuity. This check should be conducted 10 minutes after silver composition is deposited. Do not touch repaired area while test is being conducted.



5. Apply a constant stream of hot air directly to the repaired area for approximately 20 minutes with a heat gun. A minimum distance of 3 cm (1.2 in) should be kept between repaired area and hot air outlet. If a heat gun is not available, let the repaired area dry for 24 hours.



A  
B  
C  
D  
E  
F  
G  
H  
GW  
J  
K  
L  
M  
N  
O  
P

# DOOR MIRROR

< SERVICE INFORMATION >

## DOOR MIRROR

### Automatic Drive Positioner Reverse Tilt Mirror

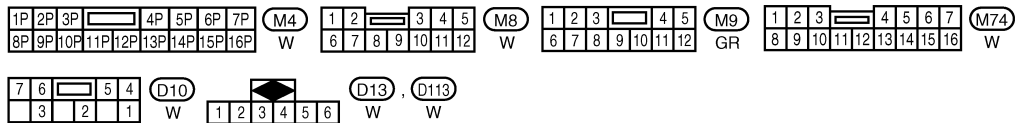
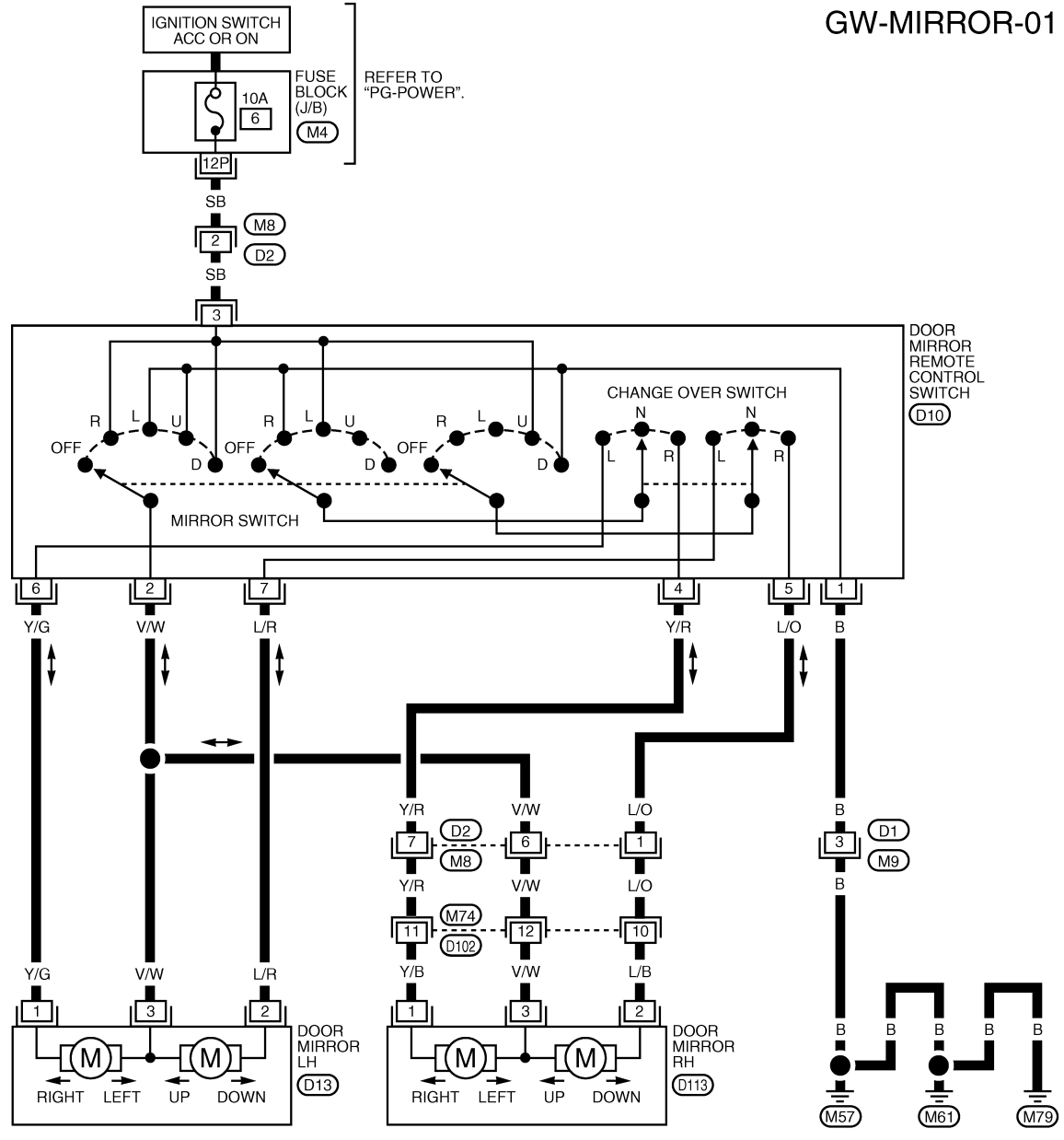
INFOID:000000004278574

Automatic drive positioner reverse tilt mirror. Refer to [SE-11](#).

### Wiring Diagram - MIRROR -

INFOID:000000004278575

GW-MIRROR-01



WIWA1788E

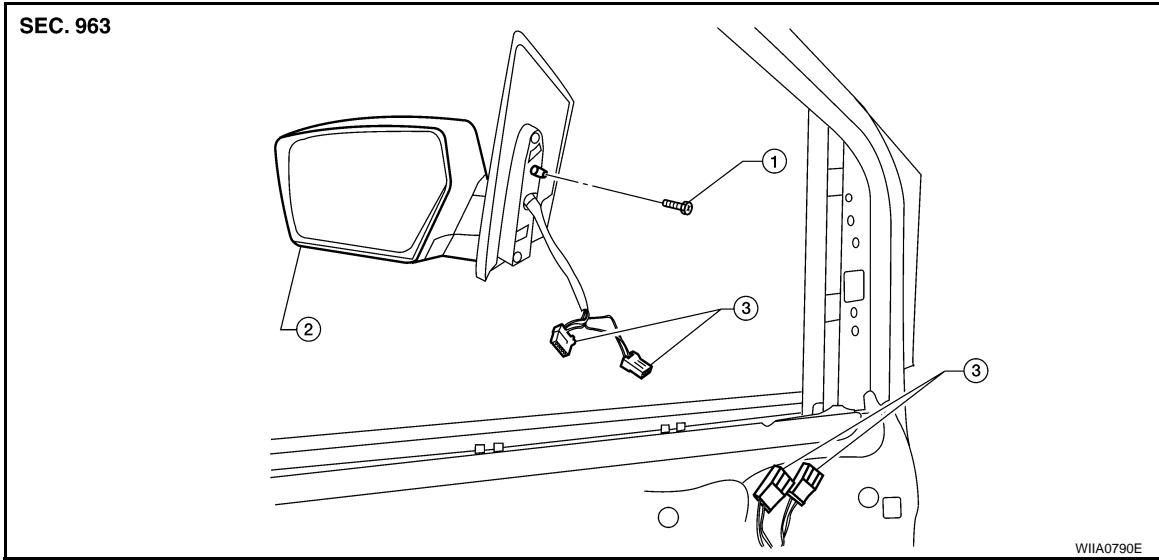
# DOOR MIRROR

< SERVICE INFORMATION >

## Door Mirror Assembly

INFOID:000000004278576

### REMOVAL AND INSTALLATION



1. Door mirror bolts
2. Door mirror assembly
3. Door mirror connectors

#### Removal

##### NOTE:

Be careful not to damage the door mirror assembly.

1. Remove the front door finisher. Refer to [EI-29](#).
2. Disconnect the door mirror connectors.
3. Remove the door mirror bolts and the door mirror assembly.

#### Installation

Installation is in the reverse order of removal.

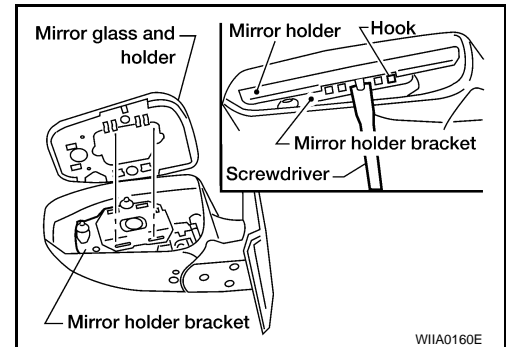
## Door Mirror Glass

INFOID:000000004278577

### REMOVAL AND INSTALLATION

#### Removal

1. Set mirror assembly mirror glass upward.
2. Apply tape to protect mirror housing.
3. Insert a screwdriver as shown and remove mirror glass by pushing up two hooks.



4. Disconnect electrical connectors from mirror holder.
5. If necessary, remove screws and remove mirror actuators.

#### INSTALLATION

1. If necessary, install mirror actuators.

## DOOR MIRROR

### < SERVICE INFORMATION >

2. Set mirror holder bracket (1) and mirror glass (2) in the horizontal position.
3. Connect electrical connectors to the back of the mirror holder.
4. Heat lower hooks with a heat gun to prevent breaking the hooks.
5. Align upper hooks to bracket.
6. Align lower hooks to bracket and push lower part of mirror glass (2) down into holder bracket (1) until you hear a click. Ensure that mirror glass is secure in door mirror assembly.

