

# RESTRAINT SYSTEM

# SECTION RS

GI  
MA  
EM  
LC  
EC  
FE  
CL  
MT  
AT  
AX  
SU  
BR  
ST  
RS  
BT  
HA  
SC  
EL  
IDX

## CONTENTS

<b>SEAT BELTS</b> .....	3	Driver Air Bag Module and Spiral Cable .....	21
Precautions .....	3	REMOVAL AND INSTALLATION .....	21
SUPPLEMENTAL RESTRAINT SYSTEM (SRS)		REMOVAL .....	21
"Air Bag" and "Seat Belt Pre-tensioner" .....	3	INSTALLATION .....	23
PRECAUTION FOR SEAT BELT SERVICE .....	3	Front Passenger Air Bag Module .....	24
Front Seat Belt .....	4	REMOVAL .....	24
REMOVAL AND INSTALLATION .....	4	INSTALLATION .....	24
Rear Seat Belt .....	6	Side Air Bag Module .....	25
REMOVAL AND INSTALLATION .....	6	REMOVAL .....	25
Seat Belt Inspection .....	8	Disposal of Air Bag Module and Seat Belt Pre-	
AFTER A COLLISION .....	8	tensioner .....	26
PRELIMINARY CHECKS .....	8	CHECKING DEPLOYMENT TOOL .....	27
SEAT BELT RETRACTOR ON-VEHICLE CHECK .....	9	DEPLOYMENT PROCEDURES FOR AIR BAG	
SEAT BELT RETRACTOR OFF-VEHICLE CHECK .....	10	MODULE (OUTSIDE OF VEHICLE) .....	28
Top Tether Strap Child Restraint .....	11	DEPLOYMENT PROCEDURES FOR SEAT BELT	
REMOVAL AND INSTALLATION .....	11	PRE-TENSIONER (OUTSIDE OF VEHICLE) .....	30
LATCH (Lower Anchors and Tether for Children)		DEPLOYMENT OF AIR BAG MODULE AND SEAT	
System .....	12	BELT PRE-TENSIONER WHILE MOUNTED IN	
REMOVAL AND INSTALLATION .....	12	VEHICLE .....	31
<b>SUPPLEMENTAL RESTRAINT SYSTEM (SRS)</b> .....	13	DISPOSING OF AIR BAG MODULE AND SEAT	
Precautions .....	13	BELT PRE-TENSIONER .....	31
SUPPLEMENTAL RESTRAINT SYSTEM (SRS)		Trouble Diagnoses Introduction .....	33
"Air Bag" and "Seat Belt Pre-tensioner" .....	13	DIAGNOSIS FUNCTION .....	33
PRECAUTIONS FOR SRS "Air Bag" and "Seat		DIAGNOSIS MODE FOR CONSULT-II .....	33
Belt Pre-tensioner" Service .....	13	Ⓜ HOW TO CHANGE SELF-DIAGNOSIS MODE	
WIRING DIAGRAMS AND TROUBLE DIAGNOSIS .....	13	WITH CONSULT-II .....	34
Preparation .....	14	Ⓧ HOW TO CHANGE SELF-DIAGNOSIS MODE	
SPECIAL SERVICE TOOLS .....	14	WITHOUT CONSULT-II .....	34
COMMERCIAL SERVICE TOOL .....	15	HOW TO ERASE SELF-DIAGNOSIS RESULTS .....	34
SRS Configuration .....	15	How to Perform Trouble Diagnoses for Quick	
Seat Belt Pre-tensioner with Load Limiter .....	17	and Accurate Repair .....	36
Side Air Bag .....	17	INFORMATION FROM CUSTOMER .....	36
SRS Component Parts Location .....	18	PRELIMINARY CHECK .....	36
Maintenance Items .....	18	WORK FLOW .....	37
Diagnosis Sensor Unit .....	19	Schematic .....	38
REMOVAL AND INSTALLATION .....	19	Wiring Diagram - SRS - .....	39
Seat Belt Pre-tensioner .....	20	SRS Operation Check .....	42
REMOVAL AND INSTALLATION .....	20	DIAGNOSTIC PROCEDURE 1 .....	42
Side Air Bag (Satellite) Sensor .....	20	Ⓜ Trouble Diagnoses with CONSULT-II .....	42
REMOVAL AND INSTALLATION .....	20	DIAGNOSTIC PROCEDURE 2 .....	42
		DIAGNOSTIC PROCEDURE 3 .....	46

# CONTENTS (Cont'd)

DIAGNOSTIC PROCEDURE 4 (CONTINUED FROM DIAGNOSTIC PROCEDURE 2) .....	47	DIAGNOSTIC PROCEDURE 9.....	60
DIAGNOSTIC PROCEDURE 5.....	48	Trouble Diagnoses: "AIR BAG" Warning Lamp Does Not Turn On .....	62
⊗ Trouble Diagnoses without CONSULT-II.....	52	DIAGNOSTIC PROCEDURE 10 .....	62
DIAGNOSTIC PROCEDURE 6.....	52	Collision Diagnosis .....	63
DIAGNOSTIC PROCEDURE 7.....	57	FOR FRONTAL COLLISION .....	63
DIAGNOSTIC PROCEDURE 8 (CONTINUED FROM DIAGNOSTIC PROCEDURE 6) .....	59	FOR SIDE COLLISION.....	64
Trouble Diagnoses: "AIR BAG" Warning Lamp Does Not Turn Off .....	60		

## Precautions

**SUPPLEMENTAL RESTRAINT SYSTEM (SRS) “AIR BAG” AND “SEAT BELT PRE-TENSIONER”**

NIRS0001

The Supplemental Restraint System such as “AIR BAG” and “SEAT BELT PRE-TENSIONER” used along with a seat belt, helps to reduce the risk or severity of injury to the driver and front passenger for certain types of collision. The SRS composition which is available to NISSAN MODEL B15 is as follows:

- For a frontal collision  
The Supplemental Restraint System consists of driver air bag module (located in the center of the steering wheel), front passenger air bag module (located on the instrument panel on passenger side), front seat belt pre-tensioners, a diagnosis sensor unit, warning lamp, wiring harness and spiral cable.
- For a side collision  
The Supplemental Restraint System consists of front side air bag module (located in the outer side of front seat), side air bag (satellite) sensor, diagnosis sensor unit (one of components of air bags for a frontal collision), wiring harness, warning lamp (one of components of air bags for a frontal collision).

**WARNING:**

- To avoid rendering the SRS inoperative, which could increase the risk of personal injury or death in the event of a collision which would result in air bag inflation, all maintenance should be performed by an authorized NISSAN dealer.
- Improper maintenance, including incorrect removal and installation of the SRS, can lead to personal injury caused by unintentional activation of the system.
- Do not use electrical test equipment on any circuit related to the SRS unless instructed to in this Service Manual. Spiral cable and wiring harnesses covered with yellow insulation tape either just before the harness connectors or for the complete harness are related to the SRS.

**PRECAUTION FOR SEAT BELT SERVICE**

NIRS0002

**CAUTION:**

- Before removing the front seat belt pre-tensioner assembly, turn the ignition switch off, disconnect both battery cables and wait at least 3 minutes.
- Do not use electrical test equipment for front seat belt pre-tensioner connector.
- After replacing or reinstalling front seat belt pre-tensioner assembly, or reconnecting front seat belt pre-tensioner connector, check the system function. Refer to “SRS Operation Check”, RS-42 .
- Do not use disassembled buckle or seat belt assembly.
- Replace anchor bolts if they are deformed or worn out.
- Never oil tongue and buckle.
- If any component of seat belt assembly is questionable, do not repair. Replace the whole seat belt assembly.
- If webbing is cut, frayed, or damaged, replace seat belt assembly.
- When replacing seat belt assembly, use a genuine NISSAN seat belt assembly.

**After A Collision**

NIRS0002S01

**WARNING:**

Inspect all seat belt assemblies including retractors and attaching hardware after any collision. NISSAN recommends that all seat belt assemblies in use during a collision be replaced unless the collision was minor and the belts show no damage and continue to operate properly. Failure to do so could result in serious personal injury in an accident. Seat belt assemblies not in use during a collision should also be replaced if either damage or improper operation is noted. Seat belt pre-tensioner should be replaced even if the seat belts are not in use during a frontal collision in which the air bags are deployed.

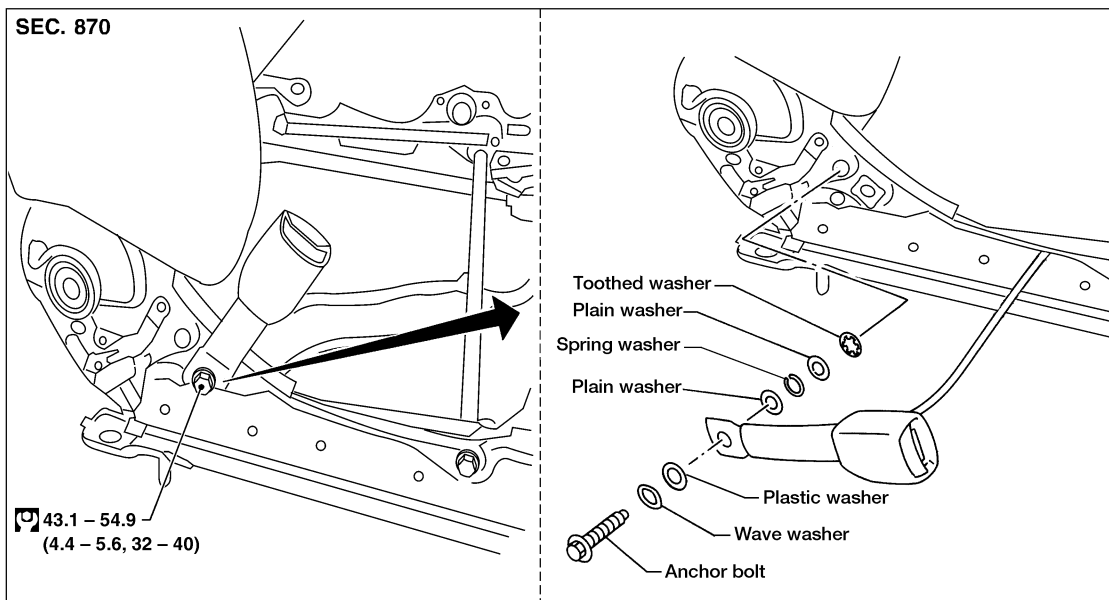
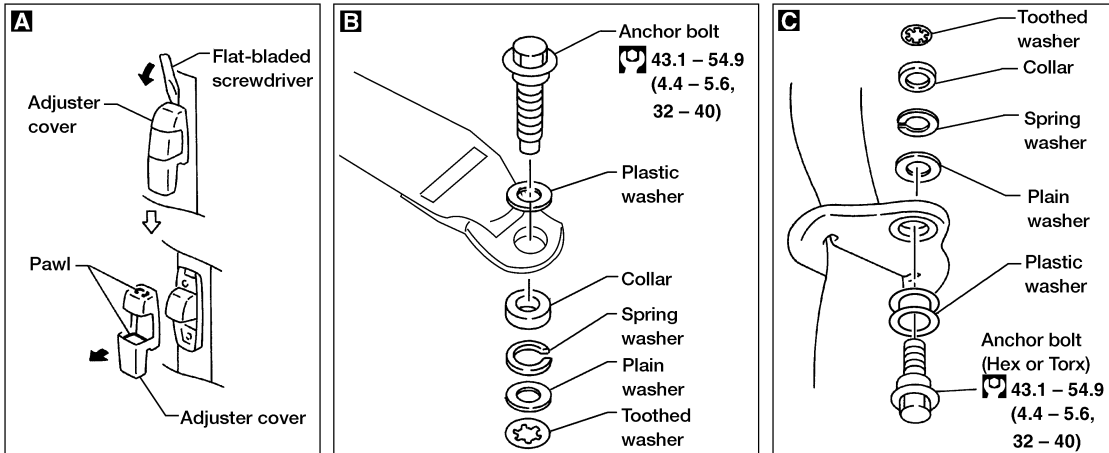
Replace any seat belt assembly if:

- The seat belt was in use at the time of a collision (except for minor collisions and the belts, retractors and buckles show no damage and continue to operate properly).
- The seat belt was damaged in an accident. (i.e. torn webbing, bent retractor or guide, etc.)
- The seat belt attaching point was damaged in an accident. Inspect the seat belt attaching area for damage or distortion and repair as necessary before installing a new seat belt assembly.
- Anchor bolts are deformed or worn out.
- The front seat belt pre-tensioner should be replaced even if the seat belts are not in use during the collision in which the air bags are deployed.



# SEAT BELTS

Front Seat Belt (Cont'd)



: N·m (kg·m, ft·lb)

WRS044

GI

MA

EM

LC

EC

FE

CL

MT

AT

AX

SU

BR

ST

**RS**

BT

HA

SC

EL

IDX

# SEAT BELTS

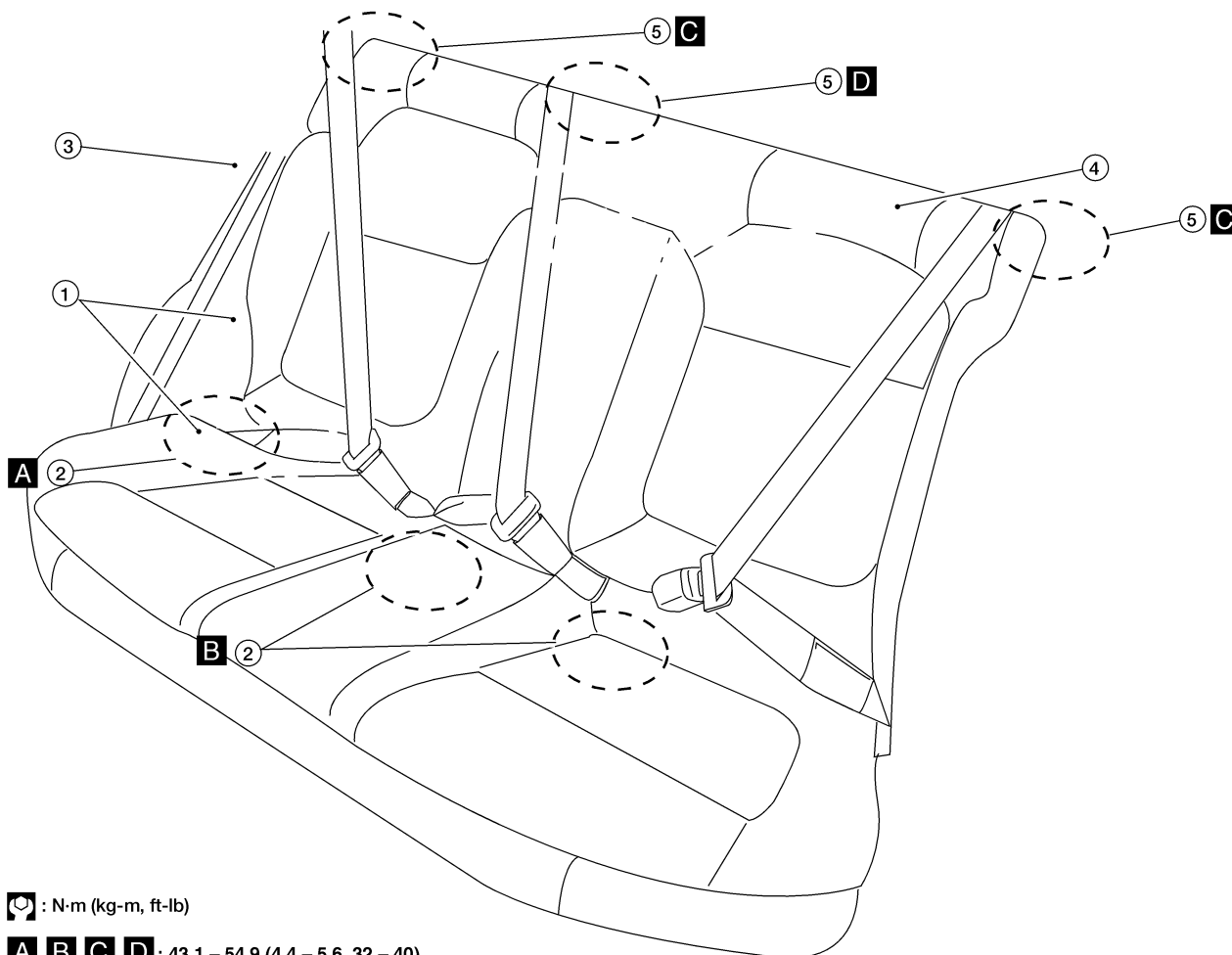
Rear Seat Belt


## Rear Seat Belt

### REMOVAL AND INSTALLATION

=NIRS0004

1. Remove rear seat. Refer to **BT-39**, "REAR SEAT" for details.
2. Remove outer and floor anchor bolt. **A B**
3. Remove rear side garnish. Refer to **BT-25**, "SIDE AND FLOOR TRIM" for details.
4. Remove rear parcel shelf finisher. Refer to **BT-25**, "SIDE AND FLOOR TRIM" for details.
5. Remove bolts securing rear seat belt retractor, then remove seat belt and seat belt retractor. **C D**



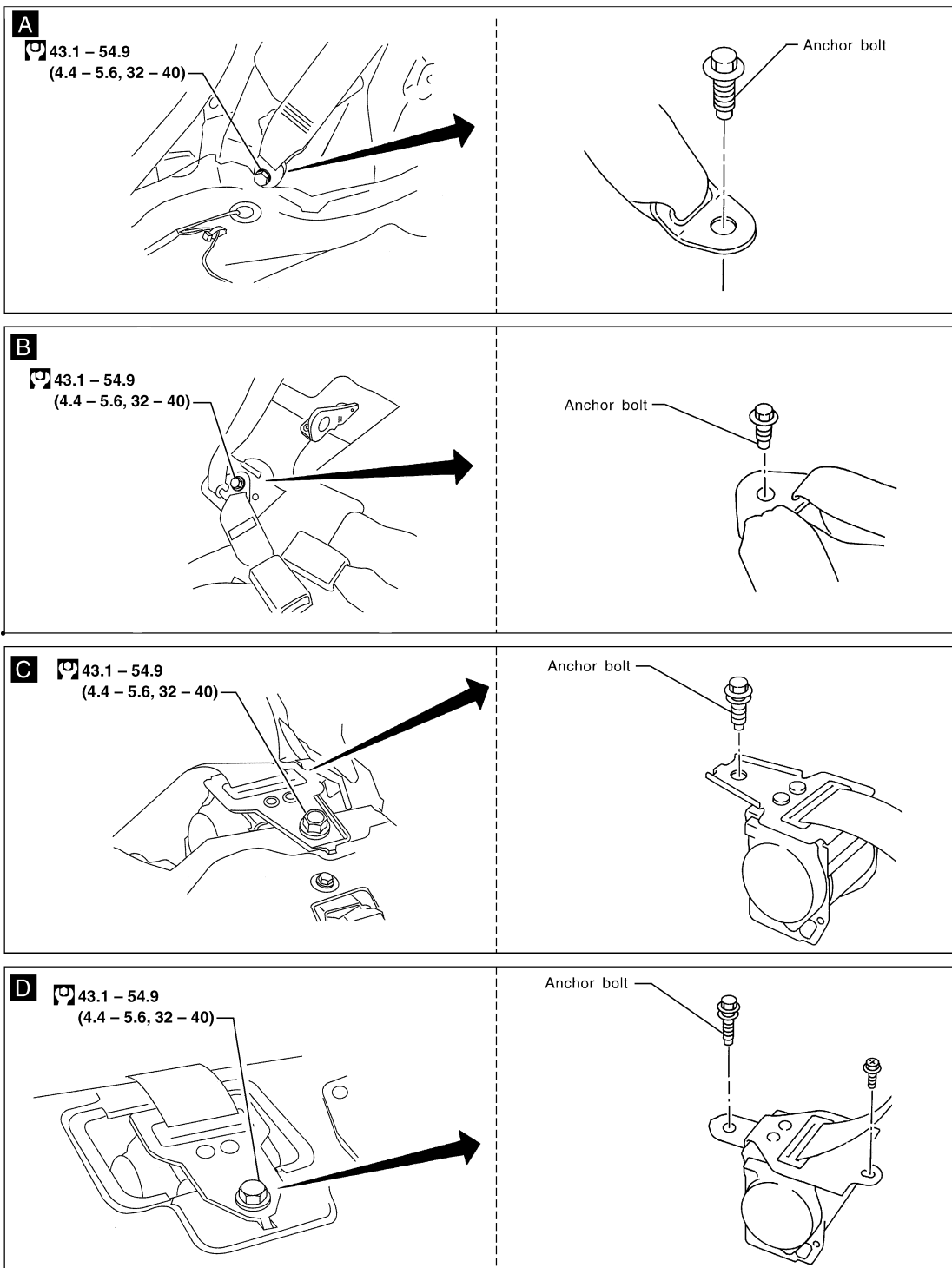
 : N·m (kg·m, ft·lb)

**A B C D** : 43.1 – 54.9 (4.4 – 5.6, 32 – 40)

WRS147

# SEAT BELTS

Rear Seat Belt (Cont'd)



: N·m (kg·m, ft·lb)

GI

MA

EM

LC

EC

FE

CL

MT

AT

AX

SU

BR

ST

**RS**

BT

HA

SC

EL

IDX

WRS153

# SEAT BELTS

## Seat Belt Inspection

=NIRS0005

NIRS0005S01

### AFTER A COLLISION

#### **WARNING:**

Inspect all seat belt assemblies including retractors and attaching hardware after any collision. NISSAN recommends that all seat belt assemblies in use during a collision be replaced unless the collision was minor and the belts show no damage and continue to operate properly. Failure to do so could result in serious personal injury in an accident. Seat belt assemblies not in use during a collision should also be replaced if either damage or improper operation is noted. Front seat belt pre-tensioner should be replaced even if the seat belts are not in use during a frontal collision in which the air bags are deployed.

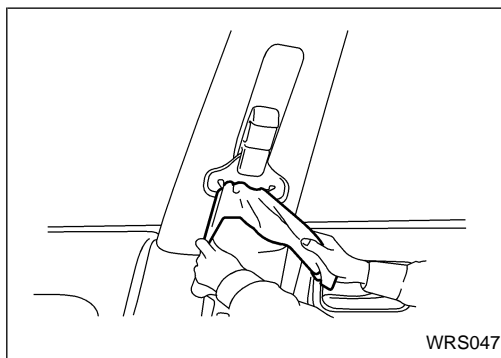
Replace any seat belt assembly if:

- The seat belt was in use at the time of a collision (except for minor collisions if the belts, retractors and buckles show no damage and continue to operate properly).
- The seat belt was damaged in an accident. (i.e. torn webbing, bent retractor or guide, etc.)
- The seat belt attaching point was damaged in an accident. Inspect the seat belt attaching area for damage or distortion and repair as necessary before installing a new seat belt assembly.
- Anchor bolts are deformed or worn out.
- The front seat belt pre-tensioner should be replaced even if the seat belts are not in use during the collision in which the air bags are deployed.

### PRELIMINARY CHECKS

NIRS0005S02

1. Check the seat belt warning lamp/chime for proper operation as follows:
  - a. Switch ignition ON. With driver seat belt unfastened, the seat belt warning lamp should illuminate. Also, the seat belt warning chime should sound for about seven seconds.
  - b. Fasten driver seat belt. The seat belt warning lamp should go out and the chime (if sounding) should stop.
  - c. If the "AIR BAG" warning lamp is blinking, conduct self-diagnosis using CONSULT-II, and "AIR BAG" warning lamp. Refer to "SRS Operation Check", RS-42.
2. Check that the seat belt retractor, seat belt anchor and buckle bolts are securely attached.
3. Check the shoulder seat belt guide and shoulder belt height adjuster for front seats. Ensure guide swivels freely and that belt lays flat and does not bind in guide. Ensure height adjuster operates properly and holds securely.
4. Check retractor operation:
  - a. Fully extend the seat belt webbing and check for twists, tears or other damage.
  - b. Allow the seat belt to retract. Ensure that belt returns smoothly and completely into the retractor. If the seat belt does not return smoothly, wipe the inside of the loops with a clean paper cloth etc. because dirt built up in the loops of the upper anchors can cause the seat belts to retract slowly.
  - c. Fasten the seat belt. Pull firmly on belt and buckle to ensure belt remains latched. Unfasten seat belt. Ensure belt releases freely and buckle button returns to original position.



5. Repeat steps above as necessary to check the other seat belts.



# SEAT BELTS

Seat Belt Inspection (Cont'd)

## SEAT BELT RETRACTOR ON-VEHICLE CHECK

NIRS0005S03

### Emergency Locking Retractors (ELR) and Automatic Locking Retractors (ALR)

NIRS0005S0301

#### NOTE:

All seat belt retractors are of the Emergency Locking Retractors (ELR) type. In an emergency (sudden stop) the retractor will lock and prevent the belt from extending any further. All 3-point type seat belt retractors except the driver's seat belt also have an Automatic Locking Retractors (ALR) mode. The ALR mode (also called child restraint mode) is used when installing child seats. The ALR mode is activated when the seat belt is fully extended. When the belt is then retracted partially, the ALR mode automatically locks the seat belt in a specific position so the belt cannot be extended any further. To cancel the ALR mode, allow the seat belt to fully wind back into the retractor.

Check the seat belt retractors using the following test(s) to determine if a retractor assembly is operating properly.

#### ELR Function Stationary Check

NIRS0005S0302

Grasp the shoulder belt and pull forward quickly. The retractor should lock and prevent the belt from extending further.

#### ALR Function Stationary Check

NIRS0005S0303

1. Pull out entire length of seat belt from retractor until a click is heard.
2. Retract the belt partially. A clicking noise should be heard as the belt retracts indicating that the retractor is in the Automatic Locking Retractors (ALR) mode.
3. Grasp the seat belt and try to pull out of the retractor. The belt must lock and not extend any further. If NG, replace the retractor assembly.
4. Allow the entire length of the belt to retract to cancel the automatic locking mode.

#### ELR Function Moving Check

NIRS0005S0304

#### WARNING:

Perform the following test in a safe, open area clear of other vehicles and obstructions (for example, a large, empty parking lot). Road surface must be paved and dry. DO NOT perform the following test on wet or gravel roads or on public streets and highways. This could result in an accident and serious personal injury. The driver and passenger must be prepared to brace themselves in the event the retractor does not lock.

1. Fasten driver's seat belt. Buckle a passenger into the seat for the belt that is to be tested.
2. Proceed to the designated safe area.
3. Drive the vehicle at approximately 16 km/h (10 MPH). Notify any passengers of a pending sudden stop and the driver and passenger must be prepared to brace themselves in the event the retractor does not lock, apply brakes firmly and make a very hard stop.

During stop, seat belts should lock and not be extended. If the seat belt retractor assembly does not lock, perform the retractor off-vehicle check.

GI

MA

EM

LC

EC

FE

CL

MT

AT

AX

SU

BR

ST

RS

BT

HA

SC

EL

IDX

# SEAT BELTS

Seat Belt Inspection (Cont'd)

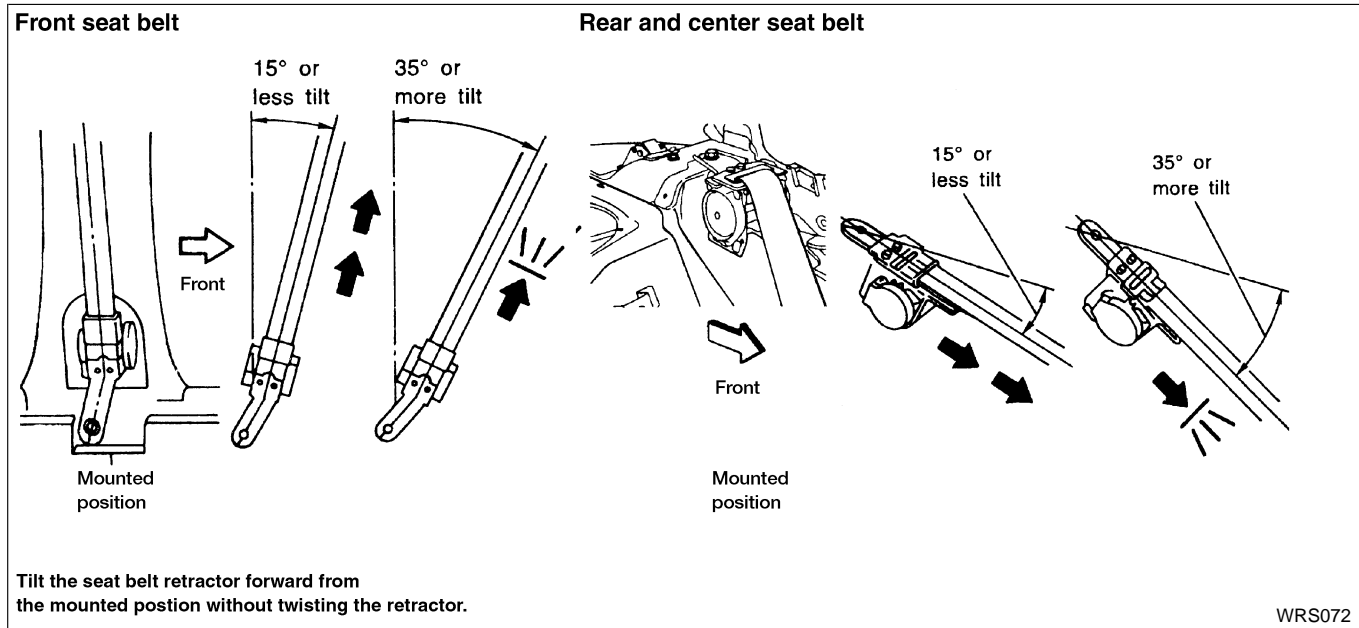
## SEAT BELT RETRACTOR OFF-VEHICLE CHECK

=NIRS0005S04

1. Remove the seat belt retractor assembly.
2. Slowly pull out belt while tilting the retractor assembly forward from the mounted position without twisting the retractor assembly as shown in the illustration.

**15 degrees or less tilt: Belt can be pulled out.**

**35 degrees or more tilt: Belt locks and cannot be pulled out.**



If NG, replace the retractor assembly.

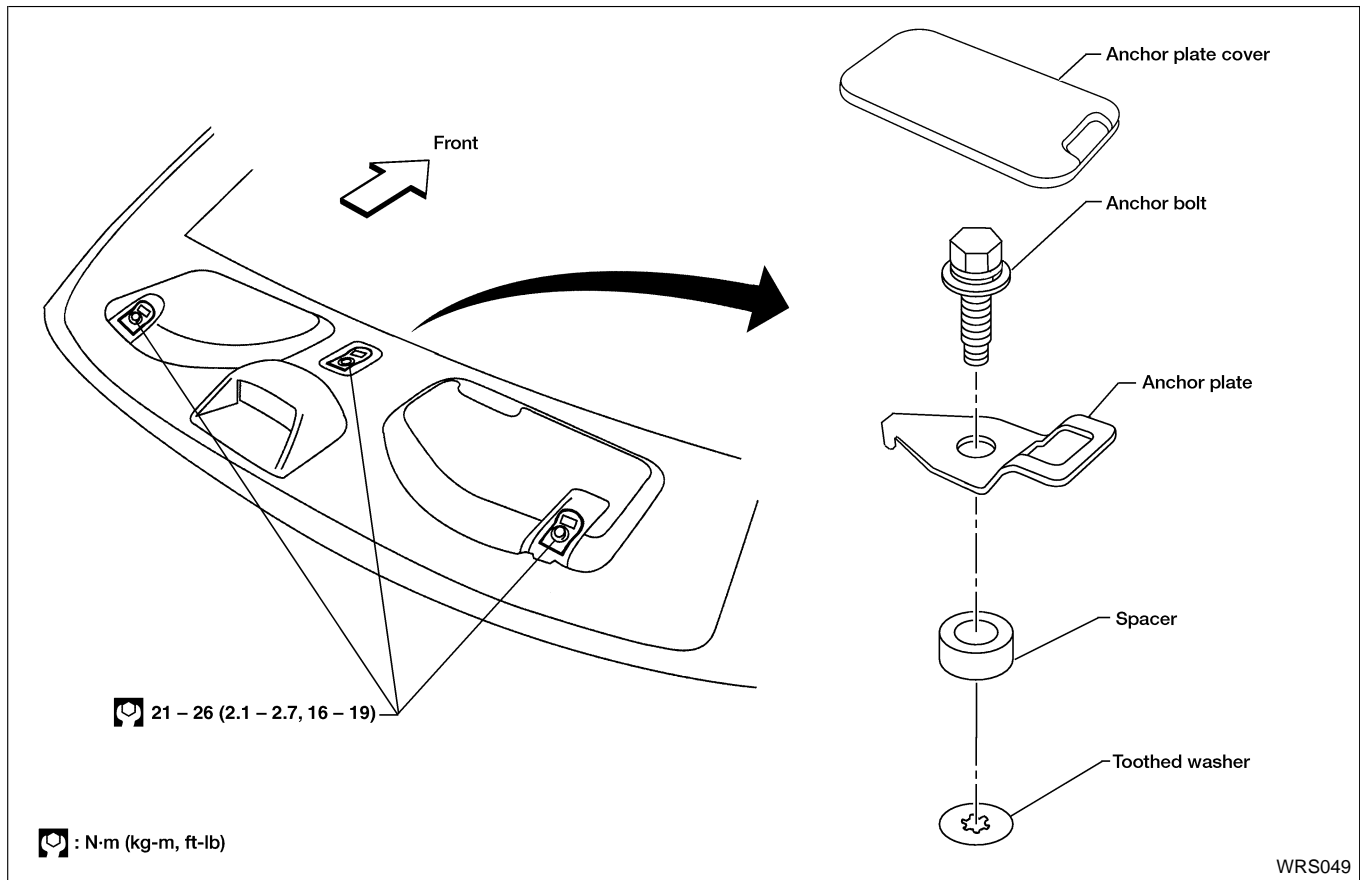
## Top Tether Strap Child Restraint

### REMOVAL AND INSTALLATION

**CAUTION:**

Replace anchor bolts if they are deformed or worn out.

=NIRS0039



1. Remove anchor plate cover. Refer to **BT-25**, "SIDE AND FLOOR TRIM" for details.
2. Remove anchor plate.

**NOTE:**

- To install, reverse the removal procedure sequence.

GI

MA

EM

LC

EC

FE

CL

MT

AT

AX

SU

BR

ST

**RS**

BT

HA

SC

EL

IDX

# SEAT BELTS

LATCH (Lower Anchors and Tether for Children) System

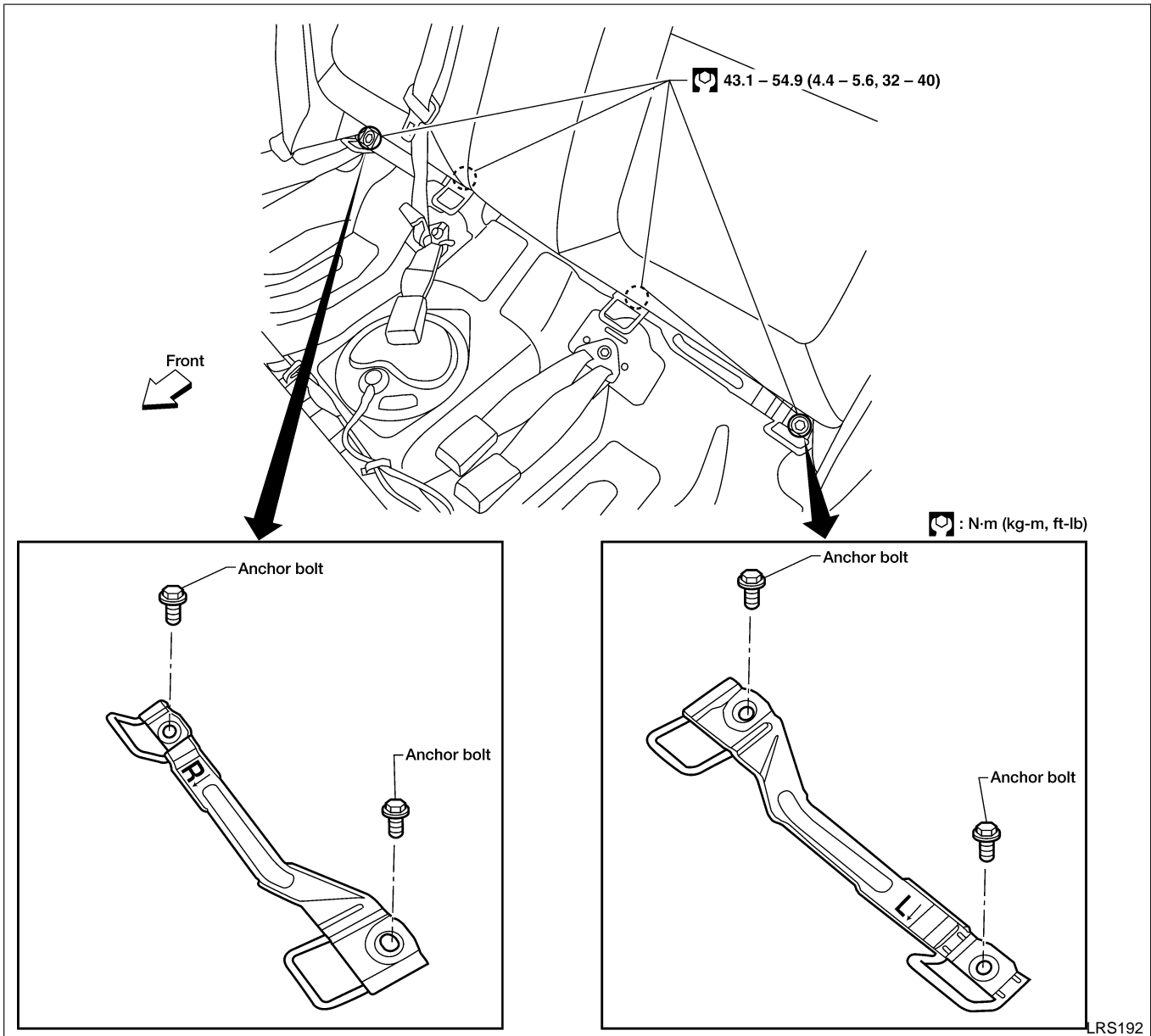
## LATCH (Lower Anchors and Tether for Children) System

### REMOVAL AND INSTALLATION

**CAUTION:**

Replace anchor bolts if they are deformed or worn out.

=NIRS0041



1. Remove rear seat cushion. Refer to **BT-39**, "REAR SEAT" for details.
2. Remove LH and RH LATCH System anchors.

**NOTE:**

LH and RH LATCH System anchors are different.  
Install with arrow facing forward.

## Precautions

### SUPPLEMENTAL RESTRAINT SYSTEM (SRS) “AIR BAG” AND “SEAT BELT PRE-TENSIONER”

The Supplemental Restraint System such as “AIR BAG” and “SEAT BELT PRE-TENSIONER” used along with a seat belt, helps to reduce the risk or severity of injury to the driver and front passenger for certain types of collision. The SRS composition which is available to NISSAN MODEL B15 is as follows:

- For a frontal collision  
The Supplemental Restraint System consists of driver air bag module (located in the center of the steering wheel), front passenger air bag module (located on the instrument panel on passenger side), front seat belt pre-tensioners, a diagnosis sensor unit, warning lamp, wiring harness and spiral cable.
- For a side collision  
The Supplemental Restraint System consists of side air bag module (located in the outer side of front seat), side air bag (satellite) sensor, diagnosis sensor unit (one of components of air bags for a frontal collision), wiring harness, warning lamp (one of components of air bags for a frontal collision).

#### WARNING:

- To avoid rendering the SRS inoperative, which could increase the risk of personal injury or death in the event of a collision which would result in air bag inflation, all maintenance should be performed by an authorized NISSAN dealer.
- Improper maintenance, including incorrect removal and installation of the SRS, can lead to personal injury caused by unintentional activation of the system.
- Do not use electrical test equipment on any circuit related to the SRS unless instructed to in this Service Manual. Spiral cable and wiring harnesses covered with yellow insulation tape either just before the harness connectors or for the complete harness are related to the SRS.

### PRECAUTIONS FOR SRS “AIR BAG” AND “SEAT BELT PRE-TENSIONER” SERVICE

- Do not use electrical test equipment to check SRS circuits unless instructed to in this Service Manual.
- Before servicing the SRS, turn ignition switch “OFF”, disconnect both battery cables and wait at least 3 minutes.  
For approximately 3 minutes after the cables are removed, it is still possible for the air bag and seat belt pre-tensioner to deploy. Therefore, do not work on any SRS connectors or wires until at least 3 minutes have passed.
- Diagnosis sensor unit must always be installed with their arrow marks “←” pointing towards the front of the vehicle for proper operation. Also check diagnosis sensor unit for cracks, deformities or rust before installation and replace as required.
- The spiral cable must be aligned with the neutral position since its rotations are limited. Do not attempt to turn steering wheel or column after removal of steering gear.
- Handle air bag module carefully. Always place driver and front passenger air bag modules with the pad side facing upward and front side air bag module standing with the stud bolt side facing down.
- Conduct self-diagnosis to check entire SRS for proper function after replacing any components.
- After air bag inflates, the front instrument panel assembly should be replaced if damaged.

### WIRING DIAGRAMS AND TROUBLE DIAGNOSIS

When you read wiring diagrams, refer to the following:

- **GI-11**, “HOW TO READ WIRING DIAGRAMS”
- **EL-9**, “POWER SUPPLY ROUTING” for power distribution circuit

When you perform trouble diagnosis, refer to the following:

- **GI-35**, “How to Follow Test Groups in Trouble Diagnoses”
- **GI-24**, “HOW TO PERFORM EFFICIENT DIAGNOSIS FOR AN ELECTRICAL INCIDENT”

GI

MA

EM

LC

EC

FE

CL

MT

AT

AX

SU

BR

ST

RS

BT

HA

SC

EL

IDX

# SUPPLEMENTAL RESTRAINT SYSTEM (SRS)

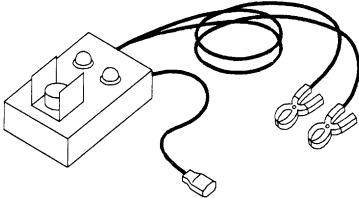
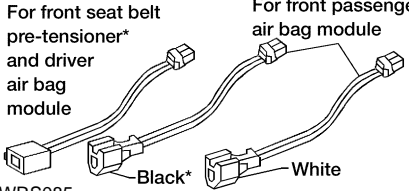
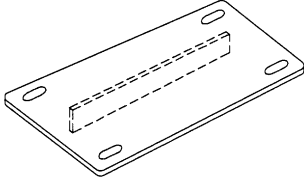
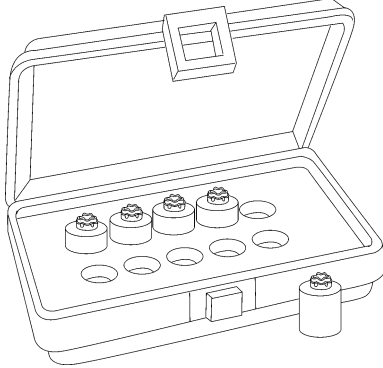
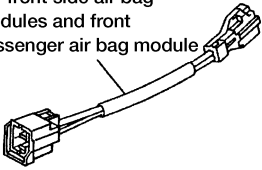
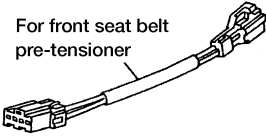
Preparation

## Preparation

### SPECIAL SERVICE TOOLS

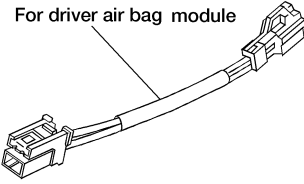
The actual shapes of Kent-Moore tools may differ from those of special service tools illustrated here.

=NIRS0009

Tool number (Kent-Moore No.) Tool name	Description
KV99106400 (J38381) Deployment tool	 <p>Disposing of air bag module</p> <p>NT357</p>
KV991065S0 (J38381-30) Deployment tool adapters	 <p>For front seat belt pre-tensioner* and driver air bag module</p> <p>For front passenger air bag module</p> <p>* Deployment tool adapters for front seat belt pre-tensioner and for front passenger air bag module with black connector are not necessary for servicing NISSAN MODEL B15.</p> <p>WRS085</p>
KV99105300 (J-41246-A) Air bag module bracket	 <p>Anchoring air bag module</p> <p>NT354</p>
(J-44615) Air bag master key set	 <p>Removing and installing accessory air bag locking bolts</p> <p>LRS194</p>
KV99108300 (J38381-35) Deployment tool adapter for front side air bag modules and front passenger air bag module	 <p>For front side air bag modules and front passenger air bag module</p> <p>WRS115</p>
KV99108200 (J38381-50) Deployment tool adapter for front seat belt pre-tensioner	 <p>For front seat belt pre-tensioner</p> <p>WRS090</p>

# SUPPLEMENTAL RESTRAINT SYSTEM (SRS)

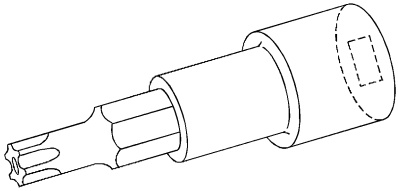
Preparation (Cont'd)

Tool number (Kent-Moore No.) Tool name	Description
KV99109000 (J44230) Deployment tool adapter for driver air bag	 <p>For driver air bag module</p> <p>LRS154</p>

\*: Special tool or commercial equivalent

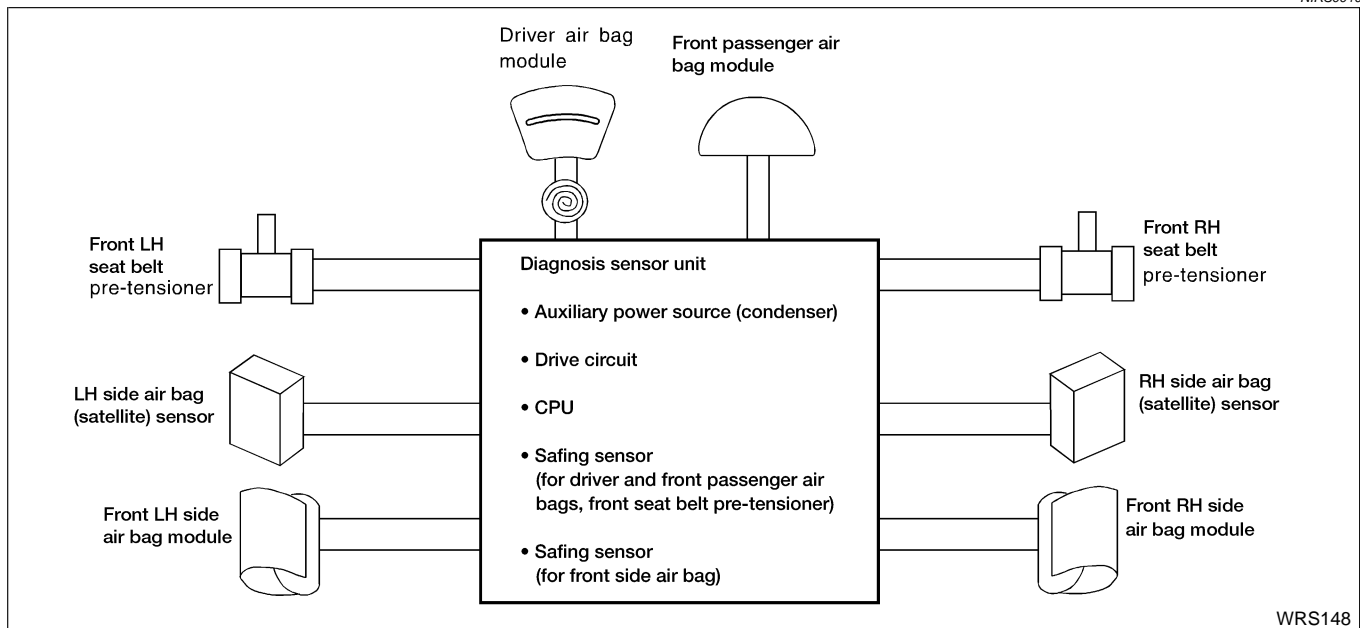
## COMMERCIAL SERVICE TOOL

NIRS0042

Tool name	Description
Tamper resistant torx socket	<p>Size: T30</p>  <p>NT757</p>

## SRS Configuration

NIRS0010



WRS148

The air bag deploys if the diagnosis sensor unit activates while the ignition switch is in the "ON" or "START" position.

The collision modes for which supplemental restraint systems are activated are different among the SRS systems. For example, the driver air bag module and front passenger air bag module are activated in a frontal collision but not in a side collision.

SRS configurations which are activated for some collision modes are as follows;

SRS configuration	Frontal collision	Left side collision	Right side collision
Driver air bag module	○	—	—

## SUPPLEMENTAL RESTRAINT SYSTEM (SRS)

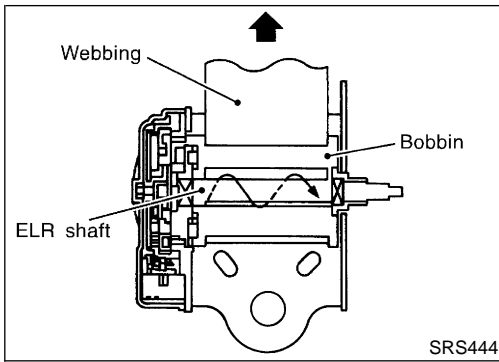
SRS Configuration (Cont'd)

SRS configuration	Frontal collision	Left side collision	Right side collision
Front passenger air bag module	○	—	—
Front LH seat belt pre-tensioner	○	—	—
Front RH seat belt pre-tensioner	○	—	—
Front LH side air bag module	—	○	—
Front RH side air bag module	—	—	○



# SUPPLEMENTAL RESTRAINT SYSTEM (SRS)

Seat Belt Pre-tensioner with Load Limiter



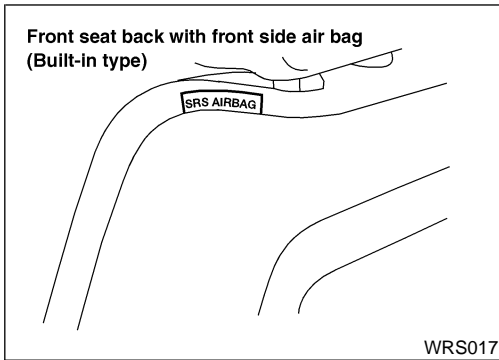
## Seat Belt Pre-tensioner with Load Limiter

=NIRS0034

The front seat belt pre-tensioner system with load limiter is installed to both the driver's seat and the front passenger's seat. It operates simultaneously with the SRS air bag system in the event of a frontal collision with an impact exceeding a specified level.

When the frontal collision with an impact exceeding a specified level occurs, seat belt slack resulting from clothing or other factors is immediately taken up by the pre-tensioner. Vehicle passengers are securely restrained.

When passengers in a vehicle are thrown forward in a collision and the restraining force of the seat belt exceeds a specified level, the load limiter permits the specified extension of the seat belt by the twisting of the ELR shaft, and a relaxation of the chest-area seat belt web tension while maintaining force.



## Side Air Bag

NIRS0035

Front side air bag is built-in type.

The front seat backs with built-in type side air bag have the label shown in figure at left.

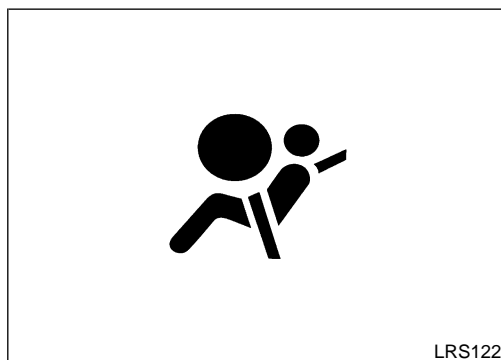
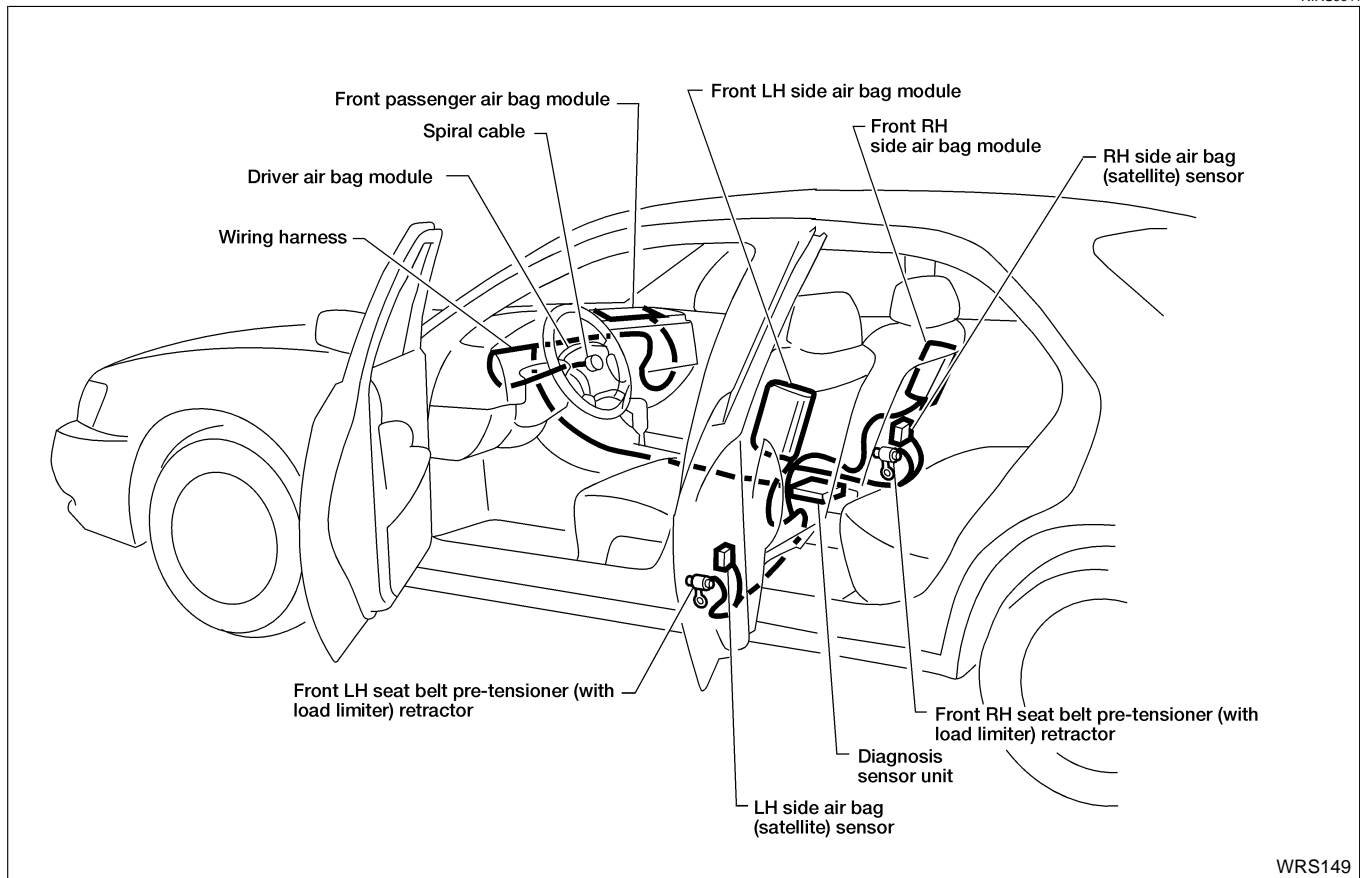
GI  
MA  
EM  
LC  
EC  
FE  
CL  
MT  
AT  
AX  
SU  
BR  
ST  
RS  
BT  
HA  
SC  
EL  
IDX

# SUPPLEMENTAL RESTRAINT SYSTEM (SRS)

SRS Component Parts Location

## SRS Component Parts Location

NIRS0011



## Maintenance Items

NIRS0012

### CAUTION:

Do not use electrical test equipment to check SRS circuit.

1. Check operation of "AIR BAG" warning lamp.  
After turning ignition key to "ON" position, the "AIR BAG" warning lamp should illuminate. The "AIR BAG" warning lamp will go off after about 7 seconds if no malfunction is detected. If any of the following warning lamp conditions occur, immediately check the air bag or seat belt pre-tensioner system. Refer to "Checking Air Bag Operation by Using "AIR BAG" Warning Lamp — User Mode", RS-42 .
  - The "AIR BAG" warning lamp does not illuminate when the ignition switch is turned "ON".
  - The "AIR BAG" warning lamp does not go off about 7 seconds after the ignition switch is turned "ON".
  - The "AIR BAG" warning lamp blinks after about 7 seconds after the ignition switch is turned "ON".
2. Visually check SRS components.
  - a. Diagnosis sensor unit
    - Check diagnosis sensor unit and bracket for dents, cracks and deformities.
    - Check connectors for damage, and terminals for deformities.

# SUPPLEMENTAL RESTRAINT SYSTEM (SRS)

Maintenance Items (Cont'd)

- b. Air bag module and steering wheel
  - Remove air bag modules from steering wheel and instrument panel, and remove the front seat back assemblies. Check harness cover and connectors for damage, terminals for deformities, and harness for binding. GI
  - Install driver air bag module to steering wheel to check fit or alignment with the wheel. MA
  - Check steering wheel for excessive free play. EM
  - Install front passenger air bag module to instrument panel to check fit or alignment with the instrument panel.
  - Install front seat back assemblies. LC
- c. Spiral cable
  - Check spiral cable for dents, cracks, or deformities. EC
  - Check connectors and protective tape for damage.
  - Check steering wheel for noise, binding or heavy operation.
- d. Main harness, body harness, side air bag module sub-harness
  - Check connectors for poor connections, damage, and terminals for deformities. FE
  - Check harnesses for binding, chafing or cut. CL
- e. Front seat belt pre-tensioner
  - Check harness cover and connectors for damage, terminals for deformities, and harness for binding. MT
  - Check belts for damage and anchors for loose mounting. AT
  - Check retractor for smooth operation.
  - Perform self-diagnosis for front seat belt pre-tensioner using "AIR BAG" warning lamp or CONSULT-II. Refer to "SRS Operation Check", RS-42 for details. AX
- f. Side air bag (satellite) sensor
  - Check side air bag satellite sensor for dents, cracks or deformities. SU
  - Check connectors for damage, and terminals for deformities. BR

**CAUTION:**  
Replace previously used special bolts and ground bolt with new ones. ST

RS

BT

HA

SC

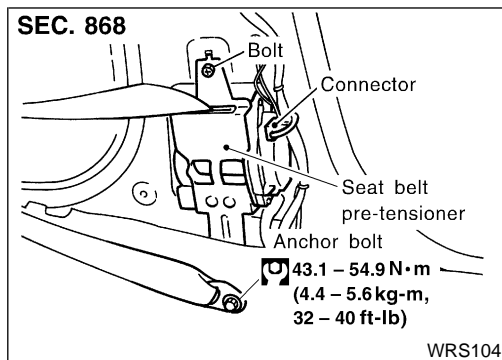
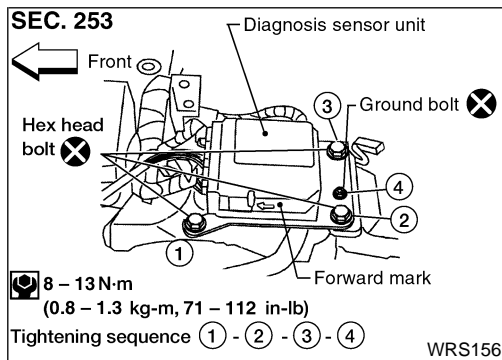
## Diagnosis Sensor Unit REMOVAL AND INSTALLATION

NIRSO013

- CAUTION:**
- Before servicing SRS, turn the ignition switch off, disconnect both battery cables and wait for at least 3 minutes. EL
  - The special bolts are coated with bonding agent while the other bolt is for ground. Do not use old bolts after removal; replace with new ones. IDX
  - Check diagnosis sensor unit for proper installation.
  - Check diagnosis sensor unit to ensure it is free of deformities, dents, cracks or rust. If they show any visible

# SUPPLEMENTAL RESTRAINT SYSTEM (SRS)

## Diagnosis Sensor Unit (Cont'd)



signs of damage, replace them with new ones.

- Check diagnosis sensor unit brackets to ensure they are free of deformities or rust.
- Replace diagnosis sensor unit if it has been dropped or sustained an impact.
- After replacement of diagnosis sensor unit, perform self-diagnosis for SRS. Refer to “SRS Operation Check”, RS-42 for details.

1. Disconnect driver, front passenger and front side air bag module connectors. Also, disconnect front seat belt pre-tensioner connector.
2. Remove console box. Refer to **BT-21**, “INSTRUMENT PANEL ASSEMBLY”.
3. Disconnect diagnosis sensor unit connector.
4. Remove bolts from diagnosis sensor unit. Then remove the diagnosis sensor unit.

### NOTE:

- To install, reverse the removal procedure sequence.

## Seat Belt Pre-tensioner REMOVAL AND INSTALLATION

NIRSO036

### CAUTION:

- Before servicing SRS, turn the ignition switch off, disconnect both battery cables and wait at least 3 minutes.
- Check front seat belt pre-tensioner with load limiter for proper installation.
- After replacement of front seat belt pre-tensioner, check SRS function and perform self-diagnosis for SRS. Refer to “Checking Air Bag Operation by Using “AIR BAG” Warning Lamp — User Mode”, RS-42 for details.
- Do not attempt to disassemble front seat belt pre-tensioner with load limiter.
- Replace front seat belt pre-tensioner if it has been dropped or sustained an impact.
- Do not expose front seat belt pre-tensioner to temperatures exceeding 80°C (176°F).

For removal of front seat belt pre-tensioner, refer to “Front Seat Belt”, RS-4 for details.

### NOTE:

- To install, reverse the removal procedure sequence.

## Side Air Bag (Satellite) Sensor REMOVAL AND INSTALLATION

NIRSO014

### CAUTION:

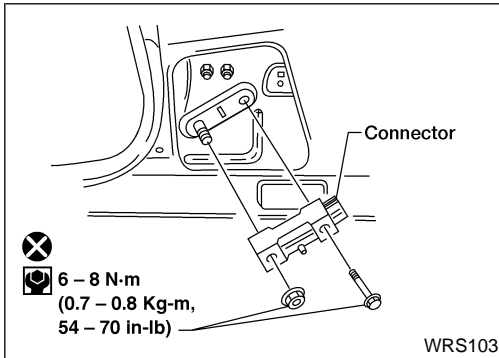
- Before servicing SRS, turn the ignition switch off, disconnect both battery cables and wait at least 3 minutes.
- Do not use old nut or bolt coated with bonding agent after removal; replace with new ones.
- Check side air bag (satellite) sensor for proper installation.
- Check side air bag (satellite) sensor to ensure they are free of deformities, dents, cracks or rust. If it shows any

# SUPPLEMENTAL RESTRAINT SYSTEM (SRS)

Side Air Bag (Satellite) Sensor (Cont'd)

visible signs of damage, replace it with new one.

- After replacement of side air bag (satellite) sensor, check SRS function and perform self-diagnosis. Refer to "SRS Operation Check", RS-42 for details.
- Do not attempt to disassemble side air bag (satellite) sensor.
- Replace side air bag (satellite) sensor if it has been dropped or sustained an impact.



1. Remove front seat belt pre-tensioner. Refer to "Front Seat Belt", RS-4 for details.
2. Disconnect side air bag (satellite) sensor connector.
3. Remove bolt and nuts from side air bag (satellite) sensor unit. Then remove the side air bag (satellite) sensor.

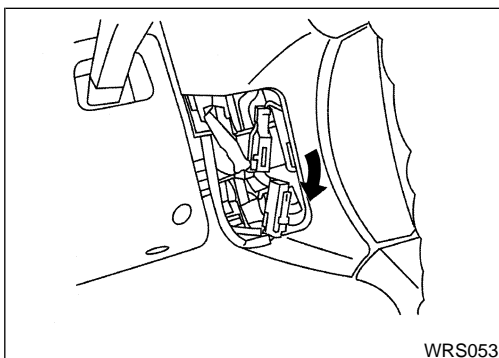
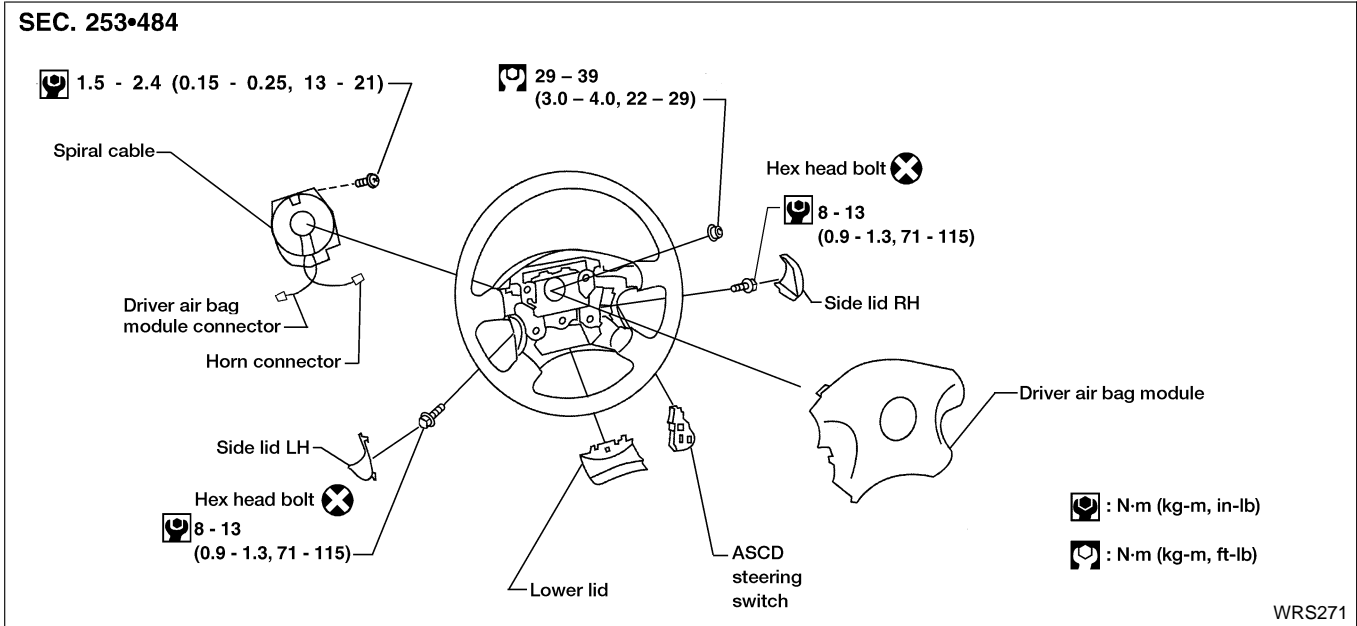
### NOTE:

- To install, reverse the removal procedure sequence.

## Driver Air Bag Module and Spiral Cable

### REMOVAL AND INSTALLATION

NIRS0015



### REMOVAL

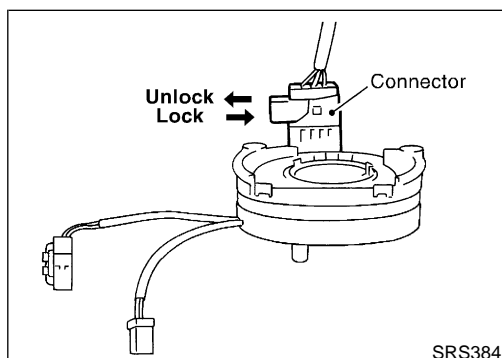
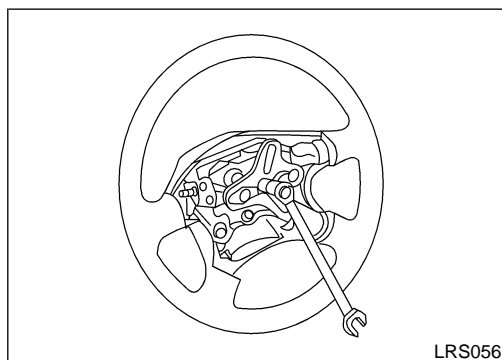
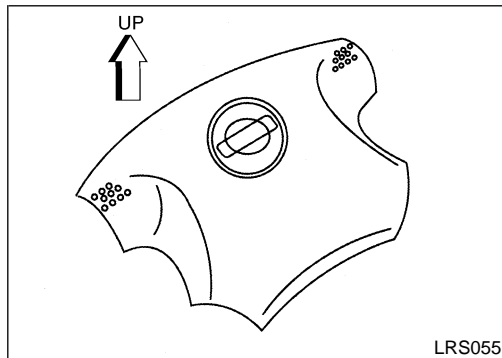
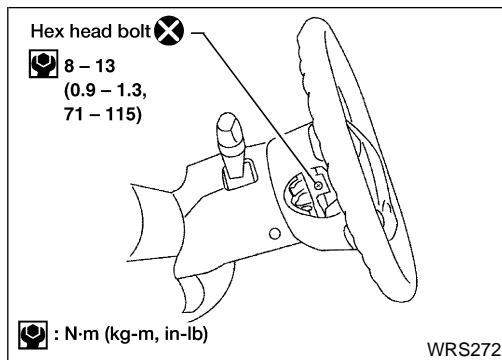
NIRS0016

#### CAUTION:

- Before servicing SRS, turn the ignition switch off, disconnect both battery cables and wait at least 3 minutes.
  - Always work from the side of air bag module.
1. Remove lower lid from steering wheel, and disconnect driver air bag module connector.

## SUPPLEMENTAL RESTRAINT SYSTEM (SRS)

### Driver Air Bag Module and Spiral Cable (Cont'd)



2. Remove side lids and ASCD steering switch (if equipped). Remove left and right bolts. Driver air bag module can then be removed.

#### CAUTION:

- Always place driver air bag module with pad side facing upward.
- Do not attempt to disassemble air bag module.
- The bolts are coated with bonding agent. Do not use old bolts after removal; replace with new ones.
- Do not insert any foreign objects (screwdriver, etc.) into air bag module connector.

- Replace driver air bag module if it has been dropped or sustained an impact.
- Do not expose the driver air bag module to temperatures exceeding 90°C (194°F).
- Do not allow oil, grease or water to come in contact with the driver air bag module.

3. Set steering wheel in the neutral position.
4. Disconnect horn connector and remove nuts.
5. Using steering wheel puller, remove steering wheel. Be careful not to over-tighten puller bolt on steering wheel.

#### CAUTION:

- Do not tap or bump the steering wheel.
- 6. Remove steering column cover.

7. Unlock the spiral cable connector. Then disconnect connectors and remove the four screws. The spiral cable can then be removed.

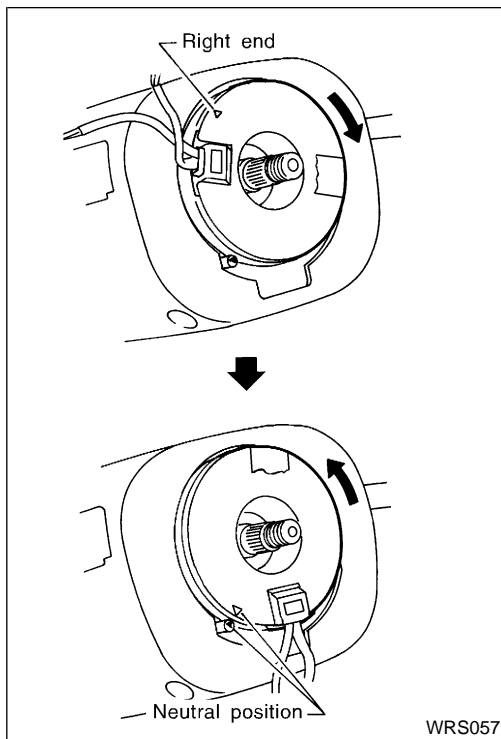
#### CAUTION:

- Do not attempt to disassemble spiral cable.
- Do not apply lubricant to the spiral cable.

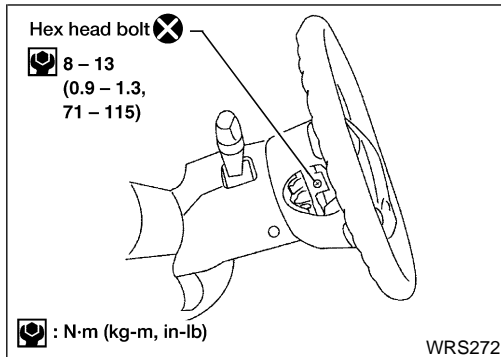
# SUPPLEMENTAL RESTRAINT SYSTEM (SRS)

Driver Air Bag Module and Spiral Cable (Cont'd)

NIRS0017



WRS057



WRS272

## INSTALLATION

1. Set the front wheels in the straight-ahead position.
2. Make sure that the spiral cable is in the neutral position. The neutral position is detected by turning left about 3.5 revolutions from the right end position. Align the two marks (X).

### CAUTION:

- The spiral cable may snap due to steering operation if the cable is installed in an improper position.
- Also, with the steering linkage disconnected, the cable may snap by turning the steering wheel beyond the limited number of turns. To set spiral cable to neutral position turn to the left approximately 3.5 turns from the right end position.

3. Connect spiral cable connector and tighten with screws. Install steering column cover.
4. Install steering wheel, aligning with spiral cable pin guides, and pull spiral cable through.
5. Connect horn connector and engage spiral cable with pawls in steering wheel. Move driver air bag module connector away from steering wheel lower lid opening.
6. Tighten nut.

: 29 - 39 N·m (3.0 - 4.0 kg-m, 22 - 29 ft-lb)

7. Position driver air bag module, press firmly and tighten with new bolts.
8. Connect driver air bag module connector.
9. Install ASCD steering switch (if equipped) and all lids.
10. Connect both battery cables, then conduct self-diagnosis to ensure entire SRS operates properly. (Use CONSULT-II or warning lamp check.)
11. Turn steering wheel to the left end and then to the right end fully to make sure that spiral cable is set in the neutral position.

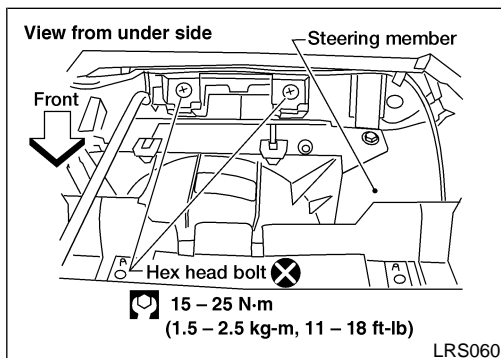
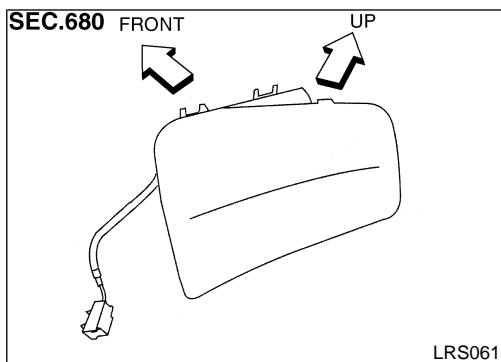
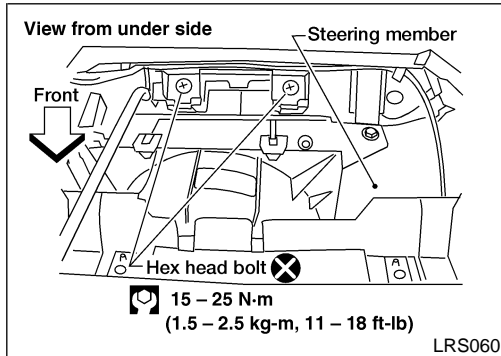
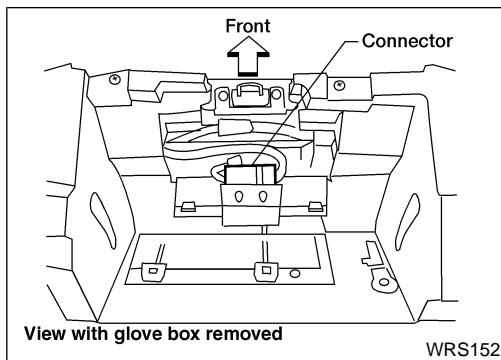
If air bag warning lamp blinks or stays ON (at the user mode), it shows the spiral cable may be snapped due to its improper position. Perform self-diagnosis again (use CONSULT-II or warning lamp). Refer to "SRS Operation Check", RS-42. If a malfunction is detected, replace the spiral cable with a new one.

12. Perform self-diagnosis again to check that no malfunction is detected. Go to "SRS Operation Check", RS-42 and perform self-diagnosis to ensure entire SRS operates properly. (Use CONSULT-II or warning lamp check.)

GI  
MA  
EM  
LC  
EC  
FE  
CL  
MT  
AT  
AX  
SU  
BR  
ST  
RS  
BT  
HA  
SC  
EL  
IDX

# SUPPLEMENTAL RESTRAINT SYSTEM (SRS)

## Front Passenger Air Bag Module



## Front Passenger Air Bag Module

### REMOVAL

MIRS0018

#### CAUTION:

- Before servicing SRS, turn the ignition switch off, disconnect both battery cables and wait for at least 3 minutes.
  - Always work from the side of or under air bag module.
1. Remove glove box assembly. Refer to **BT-21**, "INSTRUMENT PANEL ASSEMBLY" for details.
  2. Disconnect front passenger air bag module connector from air bag harness connector.
  3. Remove the nuts and hex bolts from front passenger air bag module.  
Remove the front passenger air bag module from the instrument panel.
- The front passenger air bag module is heavy and should be supported using both hands during removal.

#### CAUTION:

- Always place front passenger air bag module with pad side facing upward.
- Do not attempt to disassemble air bag module.
- The special bolts are coated with bonding agent. Do not use old bolts after removal; replace with new coated bolts.
- Do not insert any foreign objects (screwdriver, etc.) into air bag module connector.

- Replace air bag module if it has been dropped or sustained an impact.
- Do not expose the air bag module to temperatures exceeding 90°C (194°F).
- Do not allow oil, grease or water to come in contact with the front passenger air bag module.
- After air bag inflates, the front instrument panel assembly should be replaced if damaged.

### INSTALLATION

MIRS0019

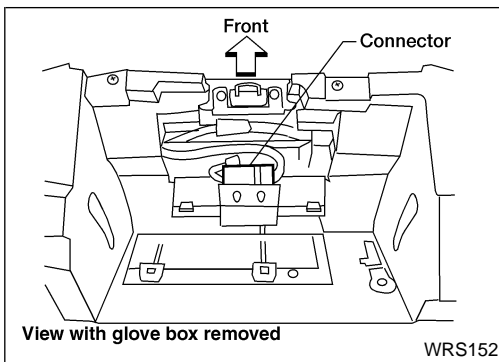
#### CAUTION:

- Always work from the side of or under air bag module.
1. Install front passenger air bag module on steering member.
  - Ensure harness is not caught between rear of air bag module and steering member.
  2. Install glove box assembly. (Glove box lid is open.)



# SUPPLEMENTAL RESTRAINT SYSTEM (SRS)

Front Passenger Air Bag Module (Cont'd)



3. Connect front passenger air bag module connector to air bag harness connector.
4. Close the glove box lid.
5. Connect both battery cables.
6. Go to "SRS Operation Check", RS-42 and perform self-diagnosis to ensure entire SRS operates properly. (Use CONSULT-II or warning lamp check.)

GI  
MA  
EM  
LC

## Side Air Bag Module REMOVAL

NIRS0020

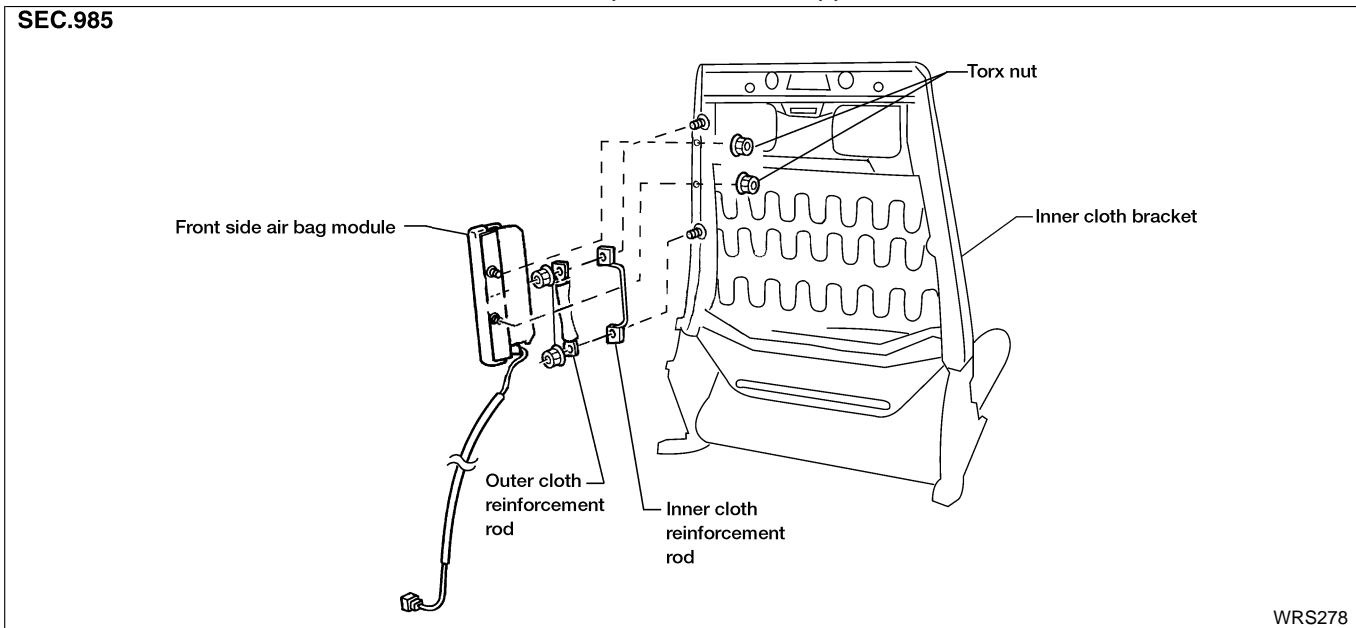
### WARNING:

Removal of front side air bag module should only be done to allow deployment of front side air bag module prior to disposal of seatback assembly.

### CAUTION:

- Before servicing SRS, turn the ignition switch off, disconnect both battery cables and wait at least 3 minutes.
  - Always work from the rear of air bag module.
1. Open seat back zipper to access module.

EC  
FE  
CL  
MT

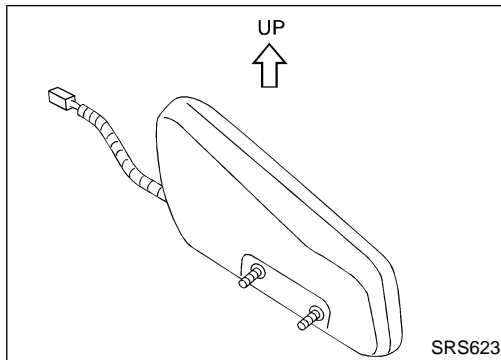


2. Pull up the seat back trim.
3. Remove the nuts securing the outer and inner reinforcement rods which secure the outer and inner reinforcement cloth.
4. Remove the Torx nuts coated with bonding agent from front side air bag module.
5. Remove harness clips. Front side air bag module can then be removed.

AT  
AX  
SU  
BR  
ST  
RS  
BT  
HA  
SC  
EL  
IDX

## SUPPLEMENTAL RESTRAINT SYSTEM (SRS)

### Side Air Bag Module (Cont'd)



#### CAUTION:

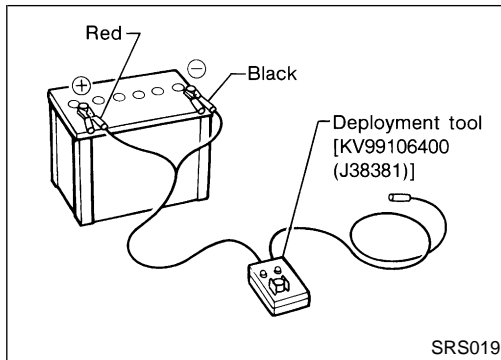
- Always place front side air bag module with the stud bolt side facing down.
- Do not attempt to disassemble air bag module.
- Do not insert any foreign objects (screwdriver, etc.) into air bag module connector.
- Do not expose the air bag module to temperatures exceeding 90°C (194°F).
- Do not allow oil, grease or water to come in contact with the air bag module.
- After front side air bag module inflates, front seatback assembly must be replaced.

### Disposal of Air Bag Module and Seat Belt Pre-tensioner

- Before disposing of air bag module and seat belt pre-tensioner, on vehicles equipped with such systems, deploy the systems. If such systems have already been deployed due to an accident, dispose of them as indicated in "DISPOSING OF AIR BAG MODULE AND SEAT BELT PRE-TENSIONER", RS-31.
- When deploying the air bag module and seat belt pre-tensioner, always use the Special Service Tool; Deployment tool KV99106400 (Kent-Moore No. J38381).
- When deploying the air bag module and seat belt pre-tensioner, stand at least 5 m (16 ft) away from the deployment component.
- When deploying air bag module and seat belt pre-tensioner, a fairly loud noise is made, followed by smoke being released. The smoke is not poisonous, however, be careful not to inhale smoke since it irritates the throat and can cause choking.
- Always activate one air bag module at a time.
- Due to heat, leave air bag module unattended for more than 30 minutes after deployment. Also leave seat belt pre-tensioner unattended for more than 10 minutes after deployment.
- Be sure to wear gloves when handling a deployed air bag module and seat belt pre-tensioner.
- Never apply water to the deployed air bag module and seat belt pre-tensioner.
- Wash your hands clean after finishing work.
- Place the vehicle outdoors with an open space of at least 6 m (20 ft) on all sides when deploying air bag module and seat belt pre-tensioner while mounted in vehicle.
- Use a voltmeter to make sure the vehicle battery is fully charged.
- Do not dispose of the air bag module and seat belt pre-tensioner un-deployed.

# SUPPLEMENTAL RESTRAINT SYSTEM (SRS)

Disposal of Air Bag Module and Seat Belt Pre-tensioner (Cont'd)



## CHECKING DEPLOYMENT TOOL

NIRS0022S01

### Connecting to Battery

NIRS0022S0101

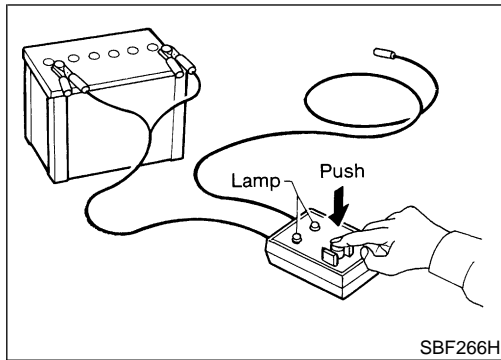
#### CAUTION:

The battery must show voltage of 9.6V or more.

Remove the battery from the vehicle and place it on dry wood blocks approximately 5 m (16 ft) away from the vehicle.

- Wait 3 minutes after the vehicle battery is disconnected before proceeding.
- Connect red clip of deployment tool to battery positive terminal and black clip to negative terminal.

Make sure the polarity is correct. The right side lamp in the tool, marked "deployment tool power", should glow with a green light. If the right side lamp glows red, reverse the connections to the battery.



### Deployment Tool Check

NIRS0022S0102

Press the deployment tool switch to the "ON" position. The left side lamp in the tool, marked "air bag connector voltage" should illuminate. If it does not illuminate, replace the tool.

### Air Bag Deployment Tool Lamp Illumination Chart (Battery connected)

NIRS0022S0103

Switch operation	Left side lamp, green* "AIR BAG CONNECTOR VOLTAGE"	Right side lamp, green* "DEPLOYMENT TOOL POWER"
OFF	OFF	ON
ON	ON	ON

\*: If this lamp glows red, the tool is connected to the battery incorrectly. Reverse the connections and make sure the lamp glows green.

GI

MA

EM

LC

EC

FE

CL

MT

AT

AX

SU

BR

ST

RS

BT

HA

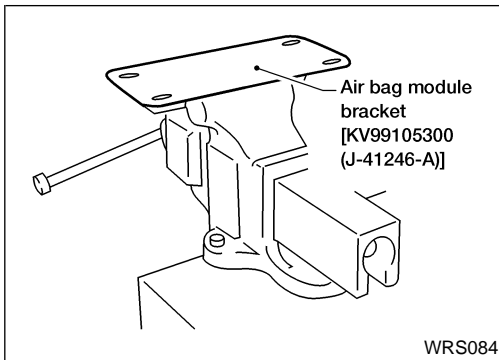
SC

EL

IDX

# SUPPLEMENTAL RESTRAINT SYSTEM (SRS)

Disposal of Air Bag Module and Seat Belt Pre-tensioner (Cont'd)



## DEPLOYMENT PROCEDURES FOR AIR BAG MODULE (OUTSIDE OF VEHICLE)

NIRS0022S02

Unless the vehicle is being scrapped, deploying the air bag in the vehicle is not recommended. This may cause damage to the vehicle interior.

Anchor air bag module bracket [KV99105300 (J-41246-A)] in a vise secured to a firm foundation during deployment.

### Deployment of Driver Air Bag Module (Outside of vehicle)

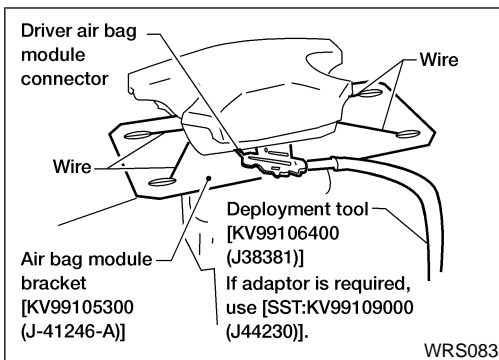
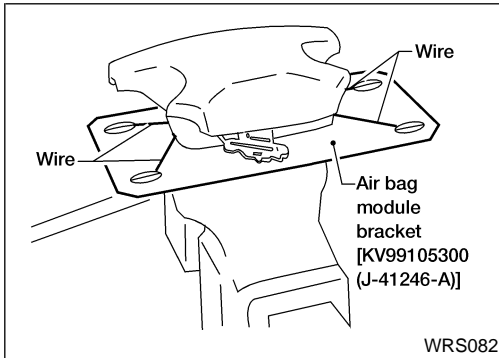
NIRS0022S0201

1. Using wire, secure driver air bag module to air bag module bracket [SST: KV99105300 (J-41246-A)] at two places.

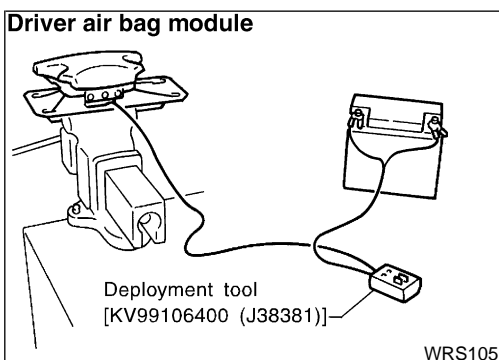
#### CAUTION:

**Use wire of at least 1 mm (0.04 in) diameter.**

2. Firmly secure air bag module bracket [SST: KV99105300 (J-41246-A)] with air bag module attached, in a vise.



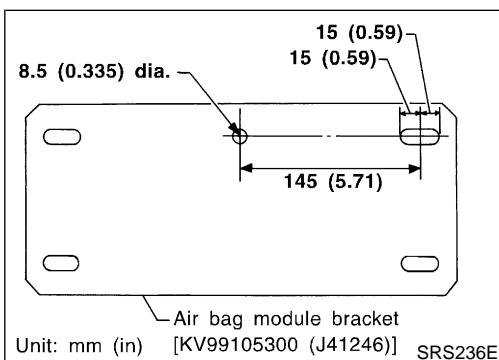
3. Connect deployment tool [SST: KV99106400 (J38381)] to driver air bag module connector. If adaptor is required, use SST: KV99109000 (J44230).



4. Connect red clip of deployment tool to battery positive terminal and black clip to negative terminal.
5. The lamp on the right side of the tool, marked "deployment tool power", should glow green, not red.
6. Press the button on the deployment tool. The left side lamp on the tool, marked "air bag connector voltage", will illuminate and the driver air bag module will deploy.

#### CAUTION:

**When deploying the driver air bag module, stand at least 5 m (16 ft) away from the driver air bag module.**



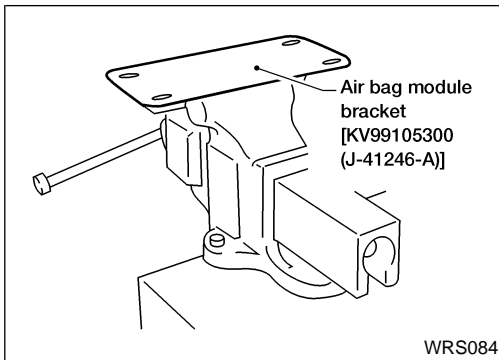
### Deployment of Front Passenger Air Bag Module (Outside of vehicle)

NIRS0022S0202

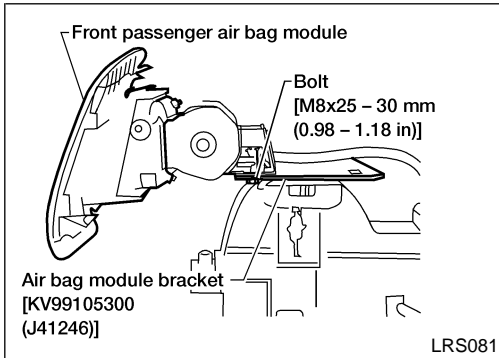
1. Make an 8.5 mm (0.335 in) diameter hole in air bag module bracket [SST: KV99105300 (J-41246-A)] at the position shown in figure at left.

# SUPPLEMENTAL RESTRAINT SYSTEM (SRS)

Disposal of Air Bag Module and Seat Belt Pre-tensioner (Cont'd)



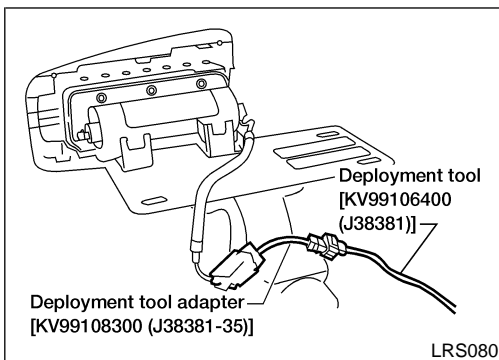
2. Firmly secure air bag module bracket [SST: KV99105300 (J-41246-A)] in a vise.



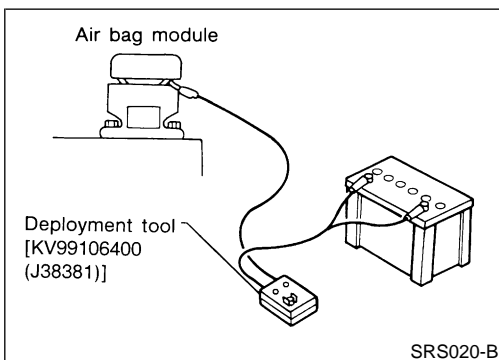
3. Match the two holes in air bag module bracket (held in vise) and front passenger air bag module and fix them with two bolts [M8 × 25 - 30 mm (0.98 - 1.18 in)].

**CAUTION:**

If a gap exists between front passenger air bag module and air bag module bracket, use a piece of wood inserted in the gap to stabilize the front passenger air bag module.

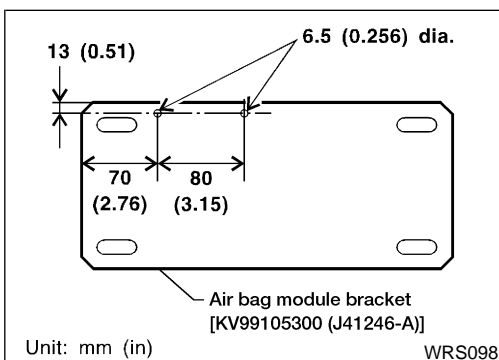


4. Connect deployment tool adapter [SST: KV99108300 (J38381-35)] to deployment tool [SST: KV99106400 (J38381)] connector and front passenger air bag module connector.
5. Connect red clip of deployment tool to battery positive terminal and black clip to negative terminal.
6. The lamp on the right side of the tool, marked "deployment tool power", should glow green, not red.
7. Press the button on the deployment tool. The left side lamp on the tool, marked "air bag connector voltage", will illuminate and the front passenger air bag module will deploy.



**CAUTION:**

- When deploying the front passenger air bag module, do not stand on the deploying side.
- Stand at least 5 m (16 ft) away from the front passenger air bag module.



## Deployment of Front Side Air Bag Module (Outside of vehicle)

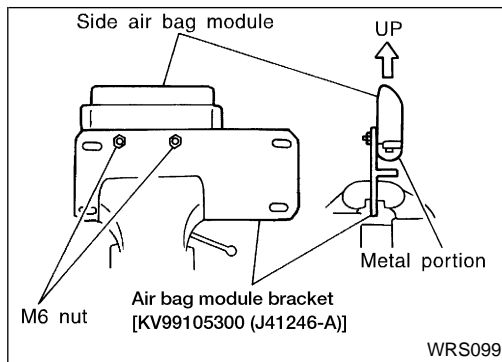
NIRS0022S0203

1. Make 6.5 mm (0.256 in) diameter holes in air bag module bracket [SST: KV99105300 (J-41246-A)] at the position shown in figure at left.

GI  
MA  
EM  
LC  
EC  
FE  
CL  
MT  
AT  
AX  
SU  
BR  
ST  
RS  
BT  
HA  
SC  
EL  
IDX

# SUPPLEMENTAL RESTRAINT SYSTEM (SRS)

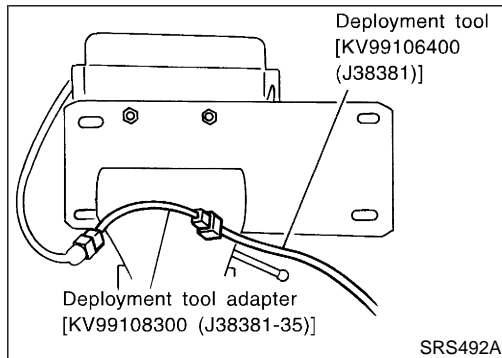
## Disposal of Air Bag Module and Seat Belt Pre-tensioner (Cont'd)



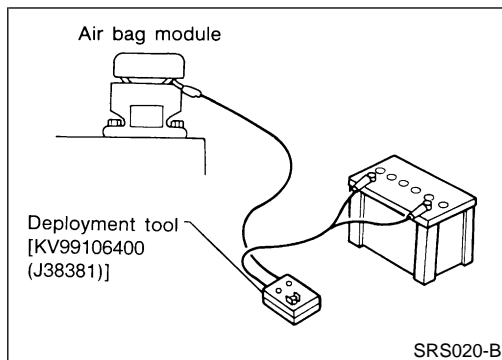
2. Firmly secure air bag module bracket [SST: KV99105300 (J-41246-A)] in a vise.
3. Insert the stud bolts of front side air bag module (built-in type) into the two holes in air bag module bracket (held in vise) and fix them with two M6 nuts.

**CAUTION:**

Front side air bag module should be secured to air bag module bracket [SST: KV99105300 (J-41246-A)] in a vise with metal portion facing down.



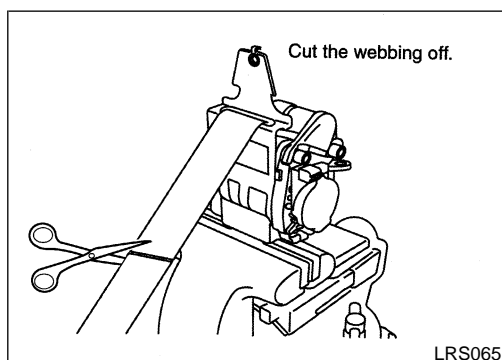
4. Connect deployment tool adapter [SST: KV99108300 (J38381-35)] to deployment tool [SST: KV99106400 (J38381)] connector and connector on air bag module.



5. Connect red clip of deployment tool to battery positive terminal and black clip to negative terminal.
6. The lamp on the right side of the tool, marked "deployment tool power", should glow green, not red.
7. Press the button on the deployment tool. The left side lamp on the tool, marked "air bag connector voltage", will illuminate and the front side air bag module will deploy.

**CAUTION:**

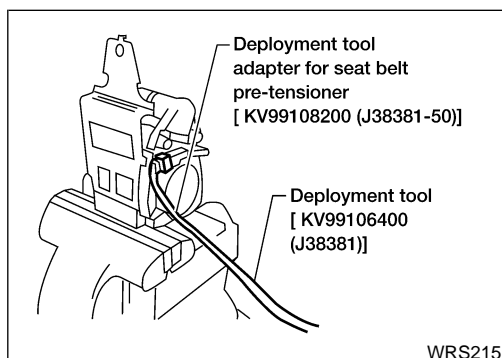
When deploying the front side air bag module, stand at least 5 m (16 ft) away from the front side air bag module.



### DEPLOYMENT PROCEDURES FOR SEAT BELT PRE-TENSIONER (OUTSIDE OF VEHICLE)

NIRS0022S05

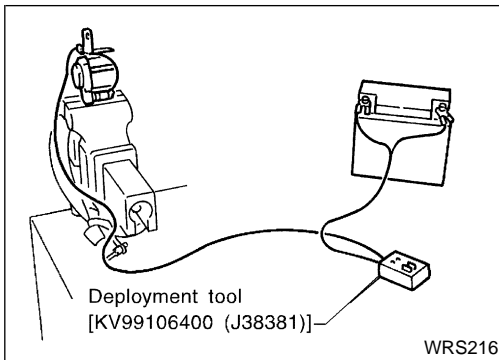
1. Firmly grip front seat belt pre-tensioner in a vise and cut the webbing off.



2. Connect deployment tool [SST: KV99106400 (J38381)] connector to front seat belt pre-tensioner connector.
  - Use deployment tool adapter [SST: KV99108200 (J38381-50)] for pre-tensioners that have a built in harness lead.

# SUPPLEMENTAL RESTRAINT SYSTEM (SRS)

Disposal of Air Bag Module and Seat Belt Pre-tensioner (Cont'd)



3. Connect red clip of deployment tool to battery positive terminal and black clip to negative terminal.
4. The lamp on the right side of the tool, marked "deployment tool power", should glow green, not red.
5. Press the button on the deployment tool. The left side lamp on the tool, marked "seat belt pre-tensioner connector voltage", will illuminate and the front seat belt pre-tensioner will deploy.

### CAUTION:

When deploying the front seat belt pre-tensioner, stand at least 5 m (16 ft) away from the front seat belt pre-tensioner.

## DEPLOYMENT OF AIR BAG MODULE AND SEAT BELT PRE-TENSIONER WHILE MOUNTED IN VEHICLE

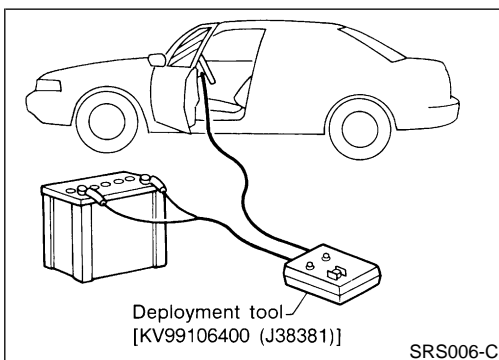
NIRS0022S03

When disposing of a vehicle, deploy air bag module and seat belt pre-tensioners while they are mounted in vehicle.

### CAUTION:

When deploying air bag module or seat belt pre-tensioner, ensure vehicle is empty.

1. Disconnect both the vehicle battery cables and wait 3 minutes.
2. Disconnect air bag module and seat belt pre-tensioner connector.
3. Connect deployment tool [SST: KV99106400 (J38381)] to air bag module or seat belt pre-tensioner.  
For driver air bag module, attach deployment tool adapter [SST: KV99109000 (J44230)] to the tool connector.  
For front passenger air bag module, attach deployment tool adapter [SST: KV99108300 (J38381-35)] to the tool connector.  
For front side air bag module (built-in type), attach deployment tool adapter [SST: KV99108300 (J38381-35)]. For front seat belt pre-tensioner, attach deployment tool adapter [SST: KV99108200 (J38381-50)] to the tool connector.



4. Connect red clip of deployment tool to battery positive terminal and black clip to negative terminal.
5. The lamp on the right side of the tool, marked "deployment tool power", should glow green, not red.
6. Press the button on the deployment tool. The left side lamp on the tool, marked "air bag connector voltage", will illuminate and the air bag module or seat belt pre-tensioner will deploy.

### CAUTION:

Activate only one air bag module or seat belt pre-tensioner at a time.

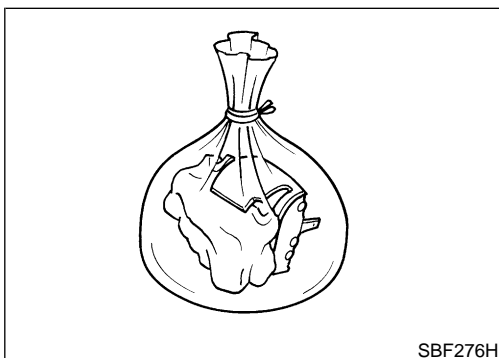
## DISPOSING OF AIR BAG MODULE AND SEAT BELT PRE-TENSIONER

NIRS0022S04

Deployed air bag module and seat belt pre-tensioner are very hot. Before disposing of air bag module, and seat belt pre-tensioner wait at least 30 minutes, and 10 minutes, respectively. Seal them in a plastic bag before disposal.

### CAUTION:

- Never apply water to a deployed air bag module and seat belt pre-tensioner.
- Be sure to wear gloves when handling a deployed air bag module and seat belt pre-tensioner.



GI  
MA  
EM  
LC  
EC  
FE  
CL  
MT  
AT  
AX  
SU  
BR  
ST  
RS  
BT  
HA  
SC  
EL  
IDX

## **SUPPLEMENTAL RESTRAINT SYSTEM (SRS)**

*Disposal of Air Bag Module and Seat Belt Pre-tensioner (Cont'd)*

---

- **No poisonous smoke is produced upon air bag module deployment. However, be careful not to inhale smoke since it irritates throat and can cause choking.**
- **Do not attempt to disassemble air bag module and seat belt pre-tensioner.**
- **Air bag module and seat belt pre-tensioner cannot be reused.**
- **Wash your hands clean after finishing work.**



## Trouble Diagnoses Introduction

=NIRS0023

### CAUTION:

- Do not use electrical test equipment on any circuit related to the SRS unless instructed to in this Service Manual. SRS wiring harnesses (except “SEAT BELT PRE-TENSIONER” connector) are covered with yellow insulation either just before the harness connectors or for the complete harness, for easy identification.
- Do not attempt to repair, splice or modify the SRS wiring harness. If the harness is damaged, replace it with a new one.
- Keep ground portion clean.

### DIAGNOSIS FUNCTION

The SRS self-diagnosis results can be read by using “AIR BAG” warning lamp and/or CONSULT-II. The reading of these results is accomplished using one of two modes — “User mode” and “Diagnosis mode”.

The User mode is exclusively prepared for the customer (driver). This mode warns the driver of a system malfunction through the operation of the “AIR BAG” warning lamp.

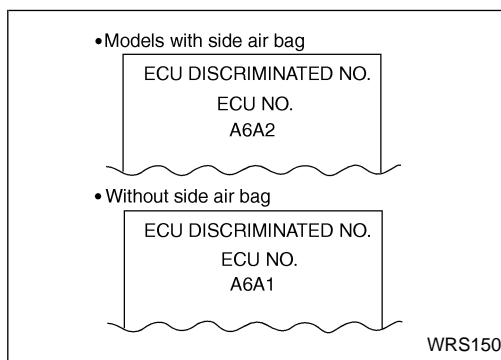
The Diagnosis mode allows the technician to locate and inspect the malfunctioning part.

The mode applications for the “AIR BAG” warning lamp and CONSULT-II are as follows:

	User mode	Diagnosis mode	Display type
“AIR BAG” warning lamp	X	X	ON-OFF operation
CONSULT-II	—	X	Monitoring

### DIAGNOSIS MODE FOR CONSULT-II

- “SELF-DIAG [CURRENT]”  
A current Self-diagnosis result (also indicated by the number of warning lamp flashes in the Diagnosis mode) is displayed on the CONSULT-II screen in real time. This refers to a malfunctioning part requiring repairs.
- “SELF-DIAG [PAST]”  
Diagnosis results previously stored in the memory are displayed on the CONSULT-II screen. The stored results are not erased until memory erasing is executed.
- “TROUBLE DIAG RECORD”  
With TROUBLE DIAG RECORD, diagnosis results previously erased by a reset operation can be displayed on the CONSULT-II screen.
- “ECU DISCRIMINATED NO.”  
The diagnosis sensor unit for each vehicle model is assigned with its own, individual classification number. This number will be displayed on the CONSULT-II screen, as shown below. When replacing the diagnosis sensor unit, refer to the part number for the compatibility. After installation, replacement with a correct unit can be checked by confirming this classification number on the CONSULT-II screen.



For NISSAN MODEL B15, the diagnosis sensor unit discriminated number assigned is A6A2 (models with side air bags) or A6A1 (models without side air bags).

GI  
MA  
EM  
LC  
EC  
FE  
CL  
MT  
AT  
AX  
SU  
BR  
ST  
RS  
BT  
HA  
SC  
EL  
IDX

# SUPPLEMENTAL RESTRAINT SYSTEM (SRS)

Trouble Diagnoses Introduction (Cont'd)

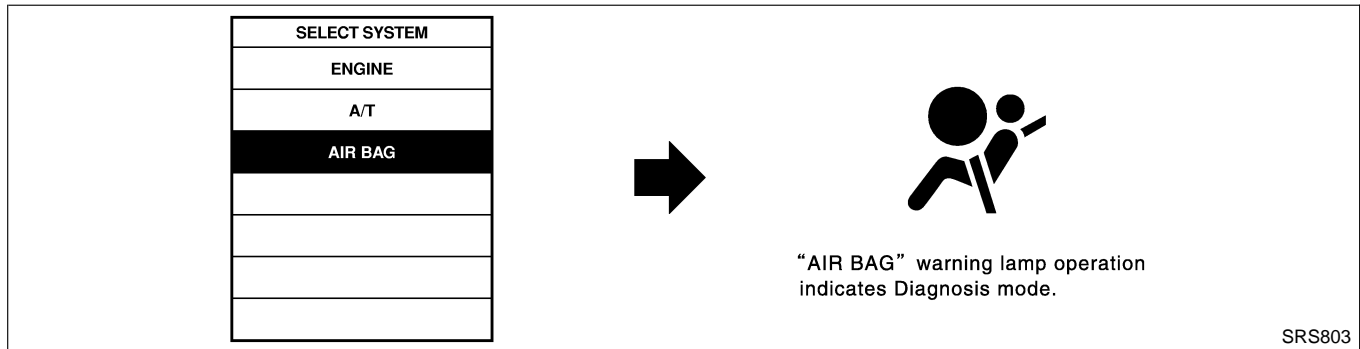
## ① HOW TO CHANGE SELF-DIAGNOSIS MODE WITH CONSULT-II

~NIRS0023S03

### From User Mode to Diagnosis Mode

NIRS0023S0301

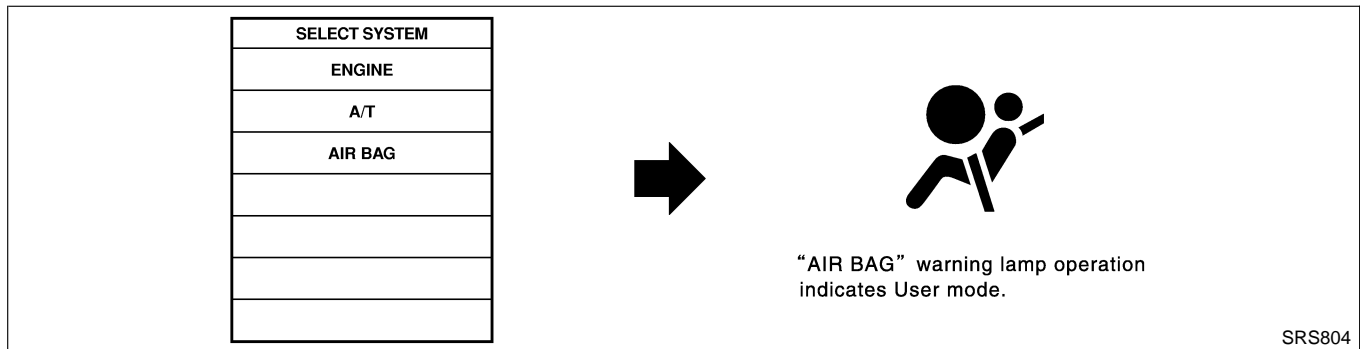
After selecting "AIR BAG" on the "SELECT SYSTEM" screen, User mode automatically changes to Diagnosis mode.



### From Diagnosis Mode to User Mode

NIRS0023S0302

To return to User mode from Diagnosis mode, touch "BACK" key of CONSULT-II until "SELECT SYSTEM" appears, Diagnosis mode automatically changes to User mode.



## ⊗ HOW TO CHANGE SELF-DIAGNOSIS MODE WITHOUT CONSULT-II

NIRS0023S04

### From User Mode to Diagnosis Mode

NIRS0023S0401

Diagnosis mode activates only when a malfunction is detected, by turning ignition switch as follows:

1. Turn ignition switch "ON".
2. After "AIR BAG" warning lamp lights for 7 seconds, turn ignition switch "OFF" within 1 second.
3. Wait more than 3 seconds.
4. Repeat steps 1 to 3 three times.
5. Turn ignition switch "ON".

SRS will enter Diagnosis mode, if no malfunction is detected.

### From Diagnosis Mode to User Mode

NIRS0023S0402

After a malfunction is repaired, turn ignition switch "OFF" for at least one second, then back "ON". Diagnosis mode is returned to User mode.

If switching Diagnosis mode to User mode is required while malfunction is being detected, turn ignition switch as follows:

1. Turn ignition switch "ON".
2. After "AIR BAG" warning lamp lights for 7 seconds, turn ignition switch "OFF" within 1 second.
3. Wait more than 3 seconds.
4. Repeat steps 1 to 3 three times.
5. Turn ignition switch "ON".

## HOW TO ERASE SELF-DIAGNOSIS RESULTS

NIRS0023S05

### ① With CONSULT-II

NIRS0023S0501

- "SELF-DIAG [CURRENT]"  
A current Self-diagnosis result is displayed on the CONSULT-II screen in real time.

# SUPPLEMENTAL RESTRAINT SYSTEM (SRS)

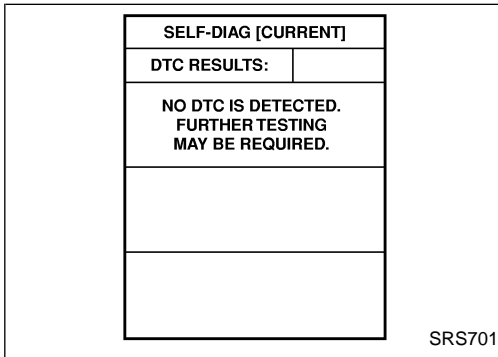
*Trouble Diagnoses Introduction (Cont'd)*

After the malfunction is repaired completely, no malfunction is detected on "SELF-DIAG [CURRENT]".

- "SELF-DIAG [PAST]"  
Return to the "SELF-DIAG [CURRENT]" CONSULT-II screen by pushing "BACK" key of CONSULT-II and select "SELF-DIAG [CURRENT]" in SELECT DIAG MODE. Touch "ERASE" in "SELF-DIAG [CURRENT]" mode.

**NOTE:**

If the memory of the malfunction in "SELF-DIAG [PAST]" is not erased, the User mode shows the system malfunction by the operation of the warning lamp even if the malfunction is repaired completely.



- "TROUBLE DIAG RECORD"  
The memory of "TROUBLE DIAG RECORD" cannot be erased.

⊗ **Without CONSULT-II**

After a malfunction is repaired, switch the ignition "OFF" for at least one second, then back "ON". <sup>NIRS002.3S0502</sup> Diagnosis mode returns to the User mode. At that time, the self-diagnostic result is cleared.

GI  
MA  
EM  
LC  
EC  
FE  
CL  
MT  
AT  
AX  
SU  
BR  
ST  
RS  
BT  
HA  
SC  
EL  
IDX

# SUPPLEMENTAL RESTRAINT SYSTEM (SRS)

*How to Perform Trouble Diagnoses for Quick and Accurate Repair*

---

## How to Perform Trouble Diagnoses for Quick and Accurate Repair

=NIRS0024

A good understanding of the malfunction conditions can make troubleshooting faster and more accurate. In general, each customer feels differently about a malfunction. It is important to fully understand the symptoms or conditions for a customer complaint.

### INFORMATION FROM CUSTOMER

NIRS0024S01

WHAT ..... Vehicle model

WHEN ..... Date, Frequencies

WHERE ..... Road conditions

HOW ..... Operating conditions, Symptoms

### PRELIMINARY CHECK

NIRS0024S02

Check that the following parts are in good order.

- Battery [Refer to **SC-4**, "BATTERY".]
- Fuse
- System component-to-harness connections

# SUPPLEMENTAL RESTRAINT SYSTEM (SRS)

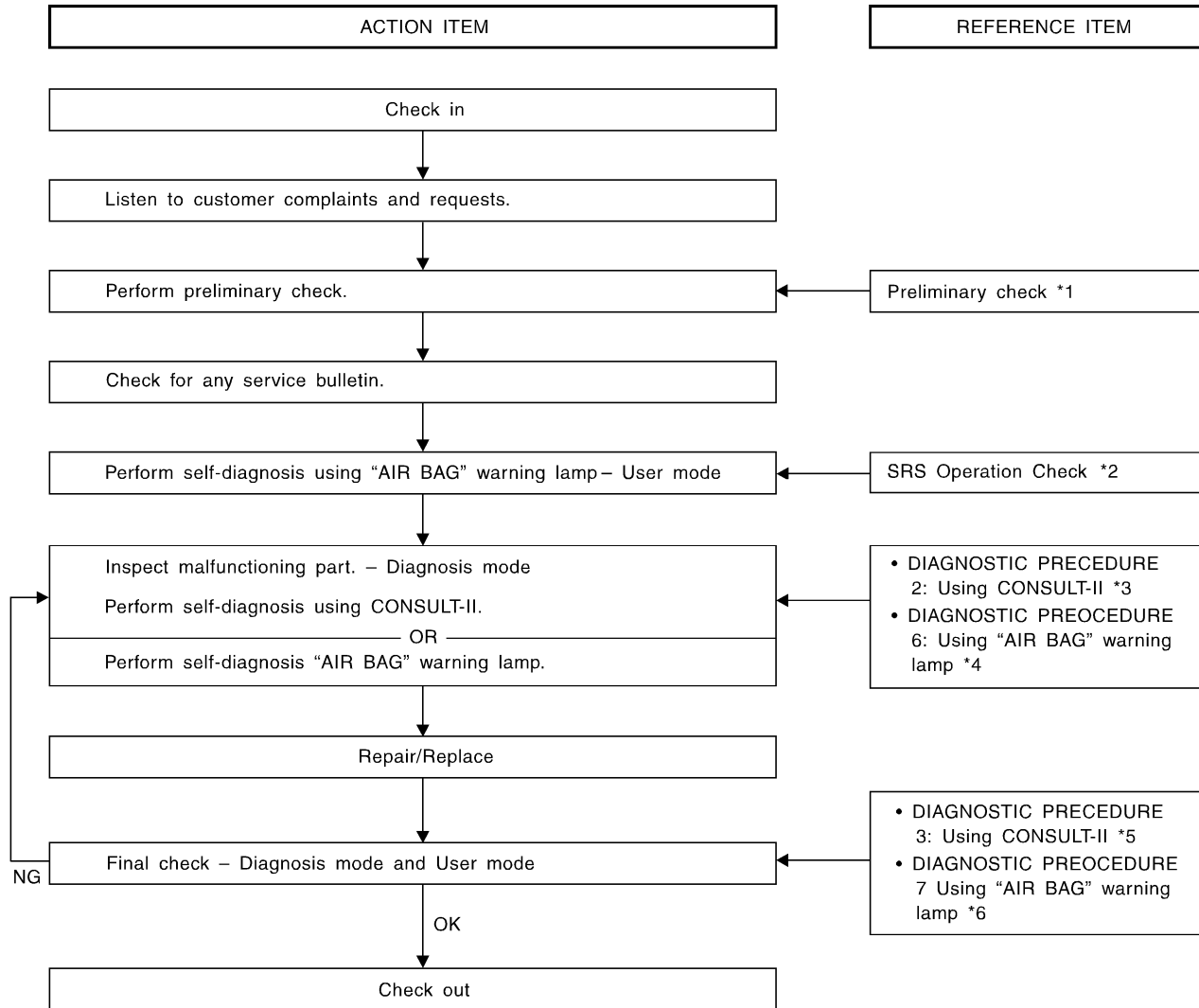
How to Perform Trouble Diagnoses for Quick and Accurate Repair (Cont'd)

-NIRS0024S03

## WORK FLOW

### NOTE:

Seat belt pre-tensioner malfunction is indicated by "AIR BAG" warning lamp.



\*1: RS-36  
\*2: RS-42

\*3: RS-42  
\*4: RS-52

\*5: RS-46  
\*6: RS-57

WRS155

GI  
MA  
EM  
LC  
EC  
FE  
CL  
MT  
AT  
AX  
SU  
BR  
ST  
RS  
BT  
HA  
SC  
EL  
IDX

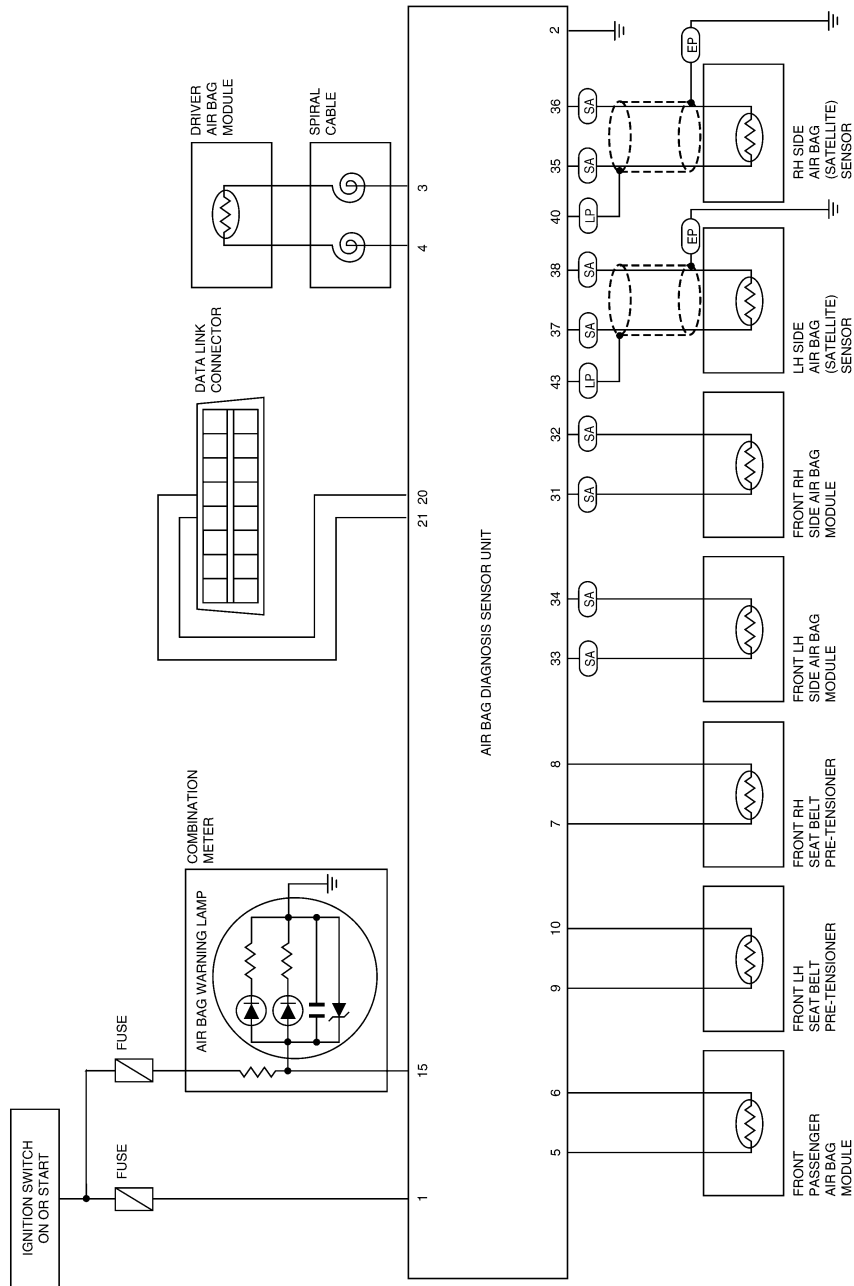
# SUPPLEMENTAL RESTRAINT SYSTEM (SRS)

Schematic

## Schematic

NIRS0025

(EP) : EARLY PRODUCTION  
 (LP) : LATE PRODUCTION  
 (SA) : WITH SIDE AIR BAGS



WRS273

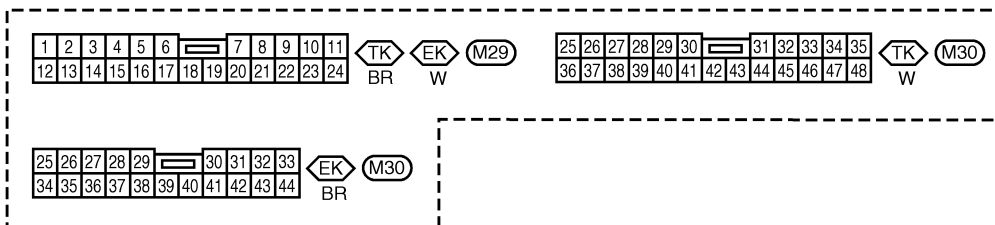
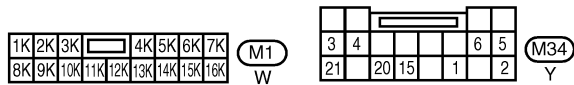
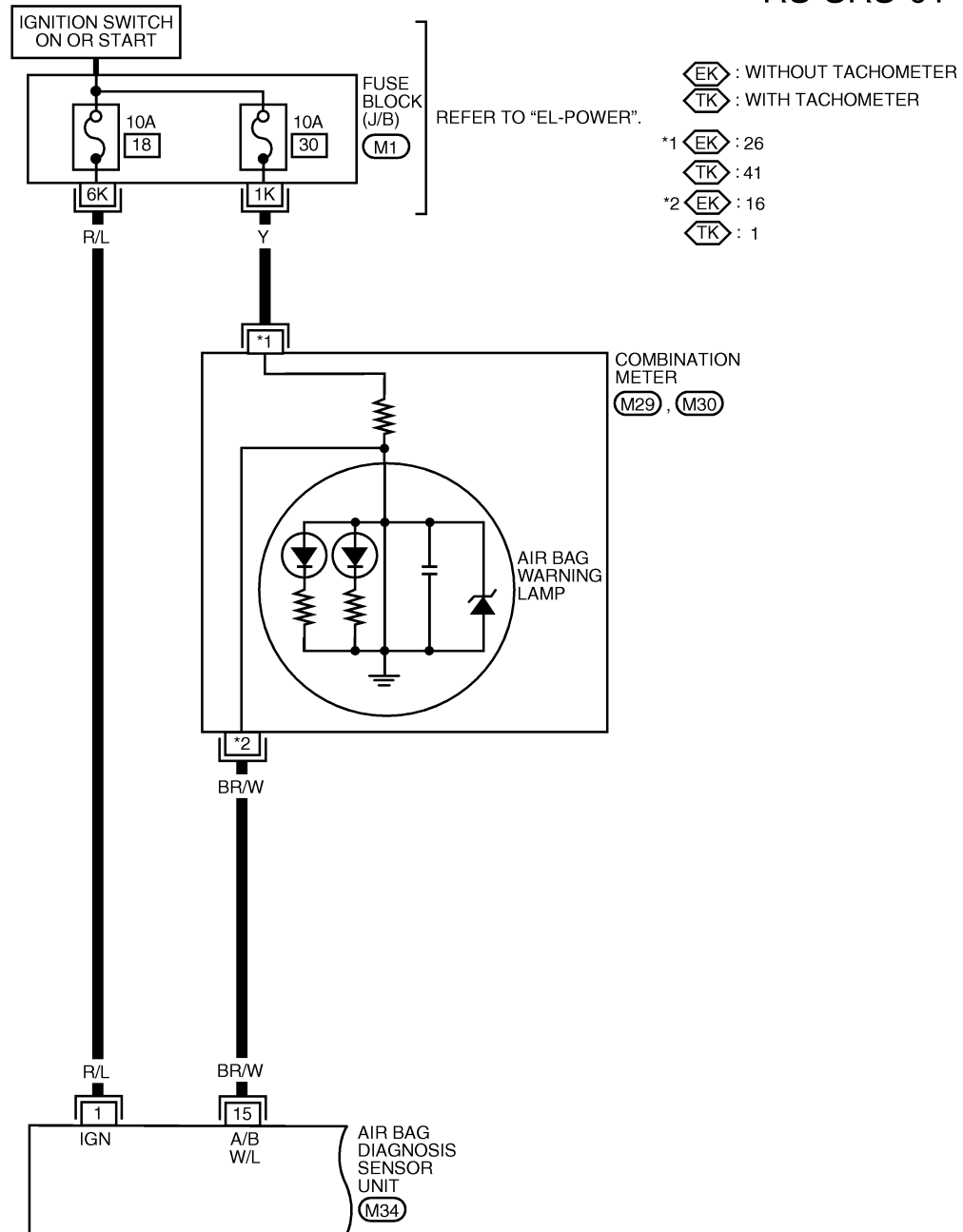
# SUPPLEMENTAL RESTRAINT SYSTEM (SRS)

Wiring Diagram — SRS —

## Wiring Diagram — SRS —

NIRS0026

### RS-SRS-01



GI  
MA  
EM  
LC  
EC  
FE  
CL  
MT  
AT  
AX  
SU  
BR  
ST  
**RS**

BT  
HA  
SC  
EL  
IDX

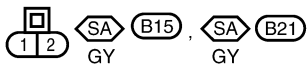
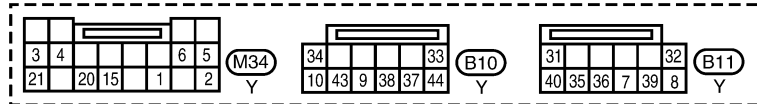
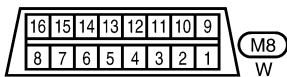
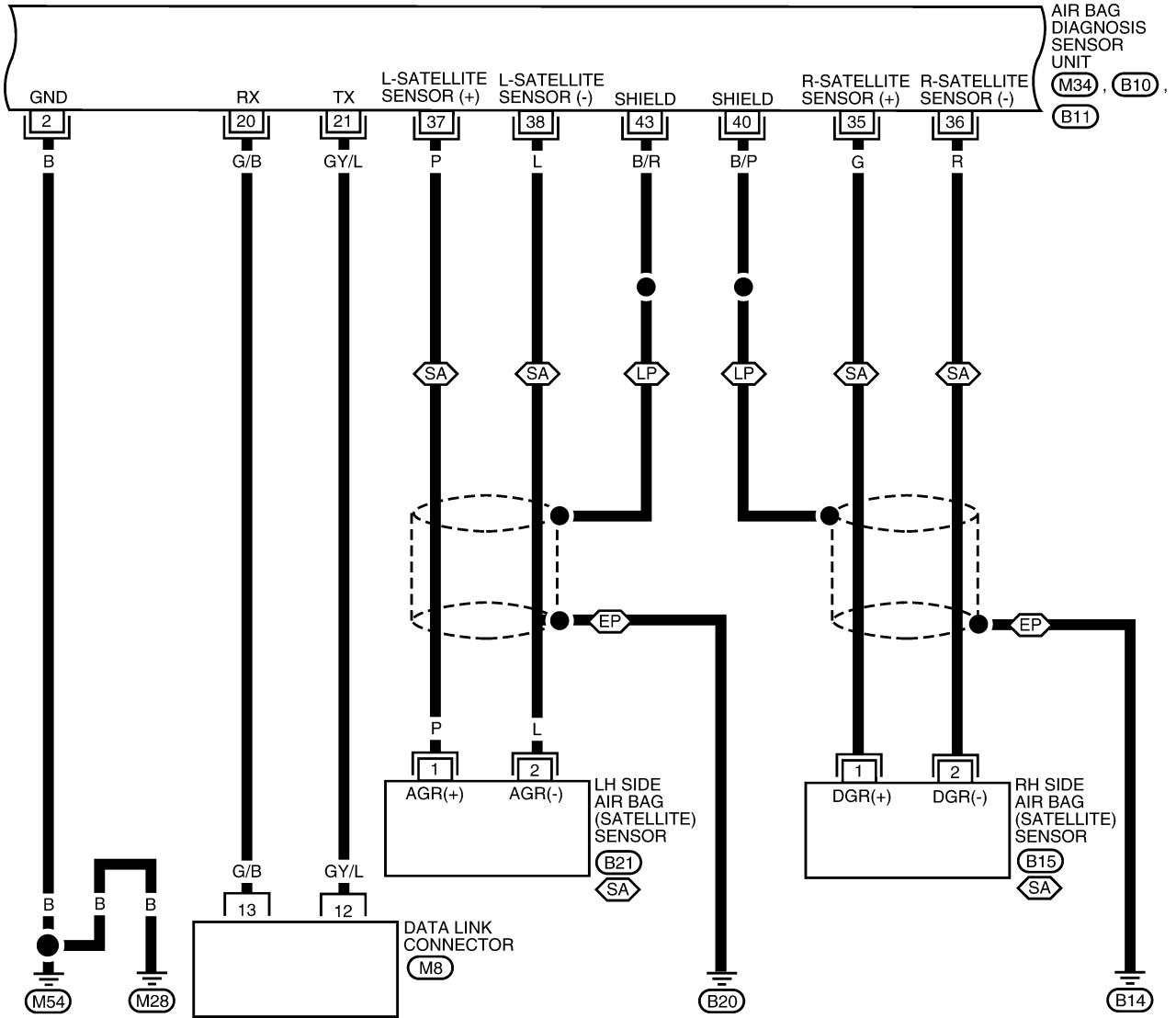
WRS144

# SUPPLEMENTAL RESTRAINT SYSTEM (SRS)

Wiring Diagram — SRS — (Cont'd)

## RS-SRS-02

- : EARLY PRODUCTION
- : LATE PRODUCTION
- : WITH SIDE AIR BAGS



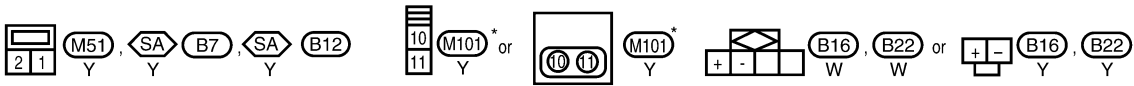
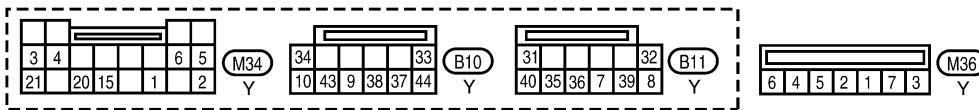
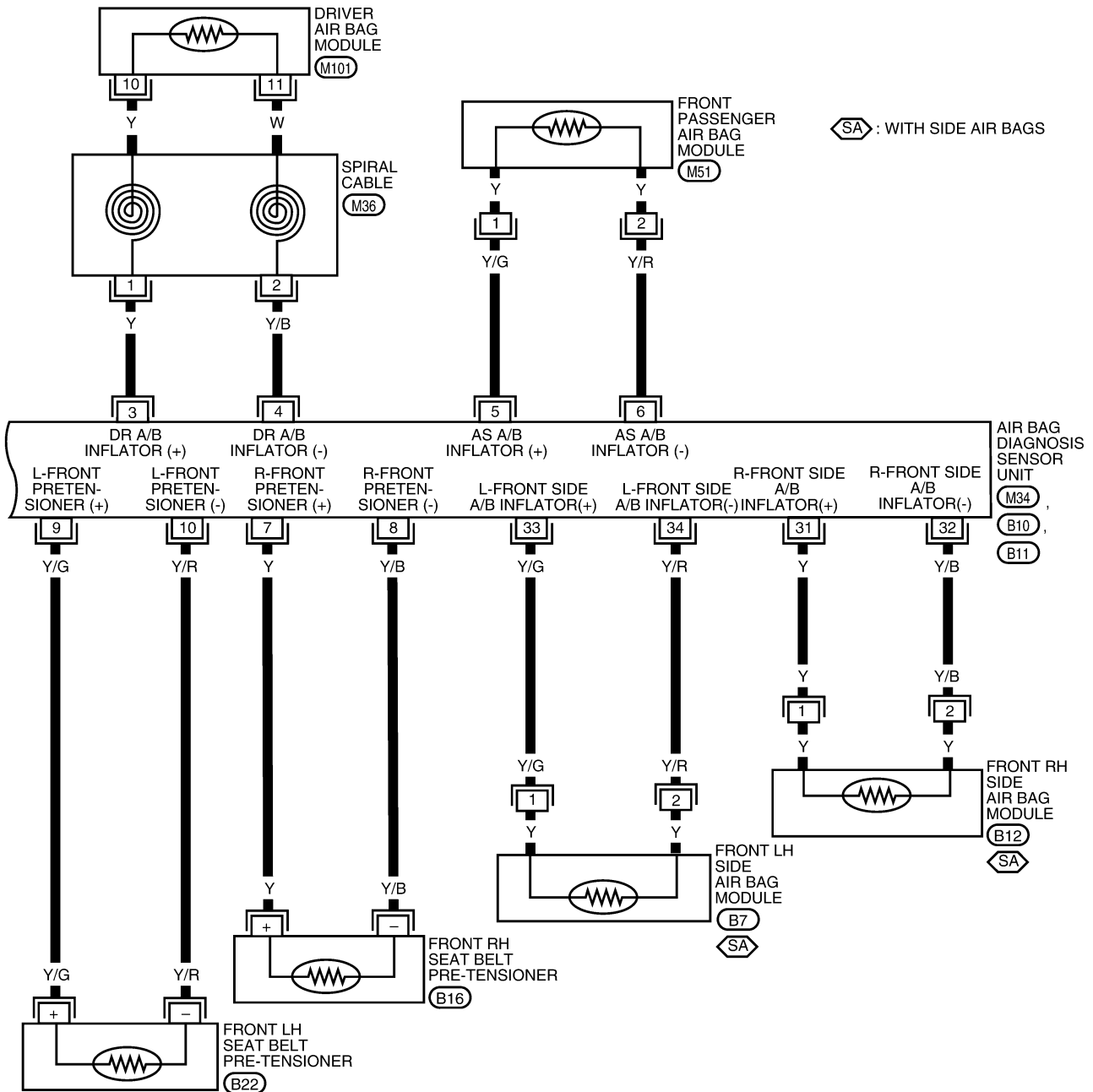
WRS274



# SUPPLEMENTAL RESTRAINT SYSTEM (SRS)

Wiring Diagram — SRS — (Cont'd)

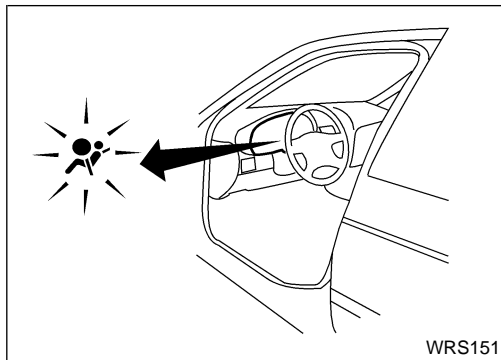
RS-SRS-03



\* THIS CONNECTOR IS NOT SHOWN IN "HARNESS LAYOUT " OF EL SECTION.

# SUPPLEMENTAL RESTRAINT SYSTEM (SRS)

## SRS Operation Check



### SRS Operation Check DIAGNOSTIC PROCEDURE 1 Checking Air Bag Operation by Using "AIR BAG" Warning Lamp — User Mode

NIRS0027

NIRS0027S01

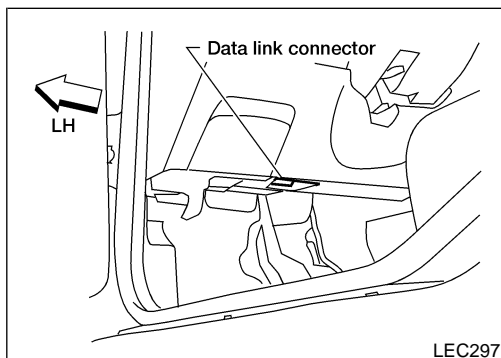
NIRS0027S0101

1. After turning ignition switch from "OFF" to "ON", "AIR BAG" warning lamp operates.
2. Compare "AIR BAG" warning lamp operation to the chart below.

"AIR BAG" warning lamp operation — User mode —	SRS condition	Reference item
<p>MRS095A</p>	No malfunction is detected. No further action is necessary.	—
<p>MRS096A</p>	The system is malfunctioning and needs to be repaired as indicated.	Go to "DIAGNOSTIC PROCEDURE 2" or "DIAGNOSTIC PROCEDURE 6", RS-42 or RS-52.
<p>MRS097A</p>	Air bag is deployed. Front seat belt pre-tensioner is deployed.	Go to "Collision Diagnosis", RS-63.
<p>MRS098A</p>	Air bag fuse, diagnosis sensor unit or harness is malfunctioning and needs to be repaired.	Go to "DIAGNOSTIC PROCEDURE 9", RS-60.
<p>MRS098A</p>	One of the following has occurred and needs to be repaired. <ul style="list-style-type: none"> <li>• Meter fuse is blown.</li> <li>• "AIR BAG" warning lamp circuit has open or short.</li> <li>• Diagnosis sensor unit is malfunctioning.</li> </ul>	Go to "DIAGNOSTIC PROCEDURE 10", RS-62.

#### NOTE:

If "AIR BAG" warning lamp operates differently from the operations shown above, refer to "DIAGNOSTIC PROCEDURE 6", RS-52.



### ④ Trouble Diagnoses with CONSULT-II DIAGNOSTIC PROCEDURE 2 Inspecting SRS malfunctioning parts by using CONSULT-II — Diagnosis mode

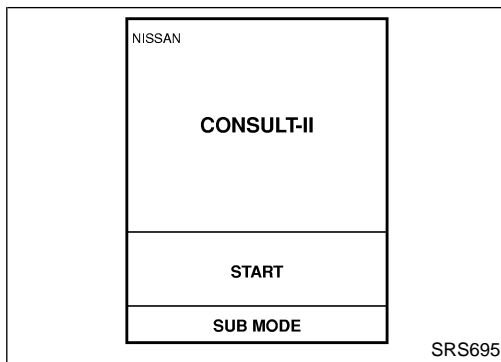
NIRS0028

NIRS0028S01

1. Turn ignition switch "OFF".
2. Connect "CONSULT-II" to data link connector.

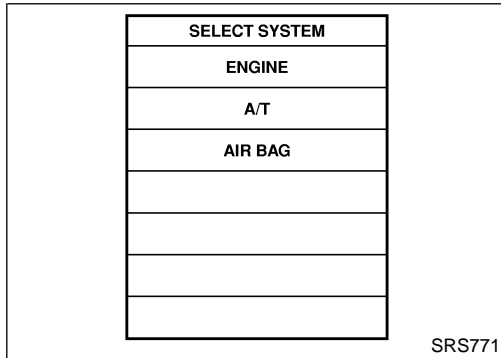
# SUPPLEMENTAL RESTRAINT SYSTEM (SRS)

 Trouble Diagnoses with CONSULT-II (Cont'd)



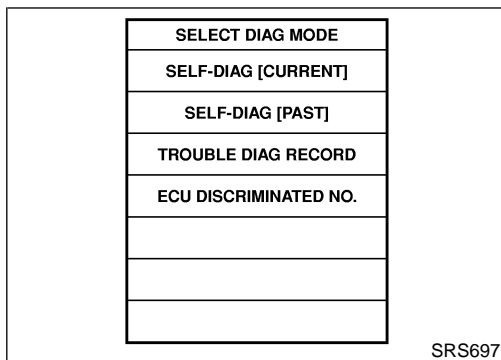
SRS695

3. Turn ignition switch "ON".
4. Touch "START".



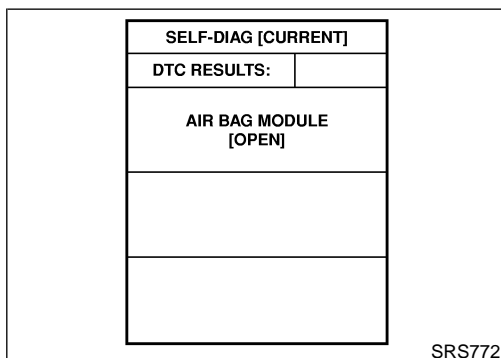
SRS771

5. Touch "AIR BAG".



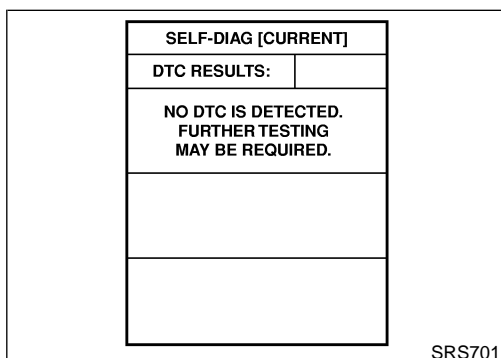
SRS697

6. Touch "SELF-DIAG [CURRENT]".



SRS772

7. Diagnostic codes are displayed on "SELF-DIAG [CURRENT]".



SRS701

If no malfunction is detected on "SELF-DIAG [CURRENT]" even though malfunction is detected in "SRS Operation Check", refer to "DIAGNOSTIC PROCEDURE 4", RS-47, to diagnose the following cases:

- Self-diagnostic result "SELF-DIAG [PAST]" (previously stored in the memory) might not be erased after repair.
- The SRS system malfunctions intermittently.

GI

MA

EM

LC

EC

FE

CL

MT

AT

AX

SU

BR

ST

**RS**

BT

HA

SC

EL

IDX

## SUPPLEMENTAL RESTRAINT SYSTEM (SRS)

 Trouble Diagnoses with CONSULT-II (Cont'd)

8. Touch "PRINT".
9. Compare diagnostic codes. Refer to "CONSULT-II Diagnostic Code Chart ("SELF-DIAG [CURRENT])", RS-44.
10. Touch "BACK" key of CONSULT-II until "SELECT SYSTEM" appears in order to return to User mode from Diagnosis mode.
11. Turn ignition switch "OFF", then turn off and disconnect CONSULT-II and disconnect both battery cables.
12. Repair the system as outlined by the "Repair order" in "CONSULT-II Diagnostic Code Chart", that corresponds to the self-diagnostic result. For replacement procedure of component parts, refer to RS-19.
13. After repairing the system, refer to "DIAGNOSTIC PROCEDURE 3", RS-46 for final checking.

### CONSULT-II Diagnostic Code Chart ("SELF-DIAG [CURRENT])"

NIRS0028S0101

Diagnostic item	Explanation	Repair order <b>Recheck SRS at each replacement.</b>
NO DTC IS DETECTED.	When malfunction is indicated by the "AIR BAG" warning lamp in User mode <ul style="list-style-type: none"> <li>● Self-diagnostic result "SELF-DIAG [PAST]" (previously stored in the memory) might not be erased after repair.</li> <li>● Intermittent malfunction has been detected in the past.</li> </ul>	<ul style="list-style-type: none"> <li>● Go to "DIAGNOSTIC PROCEDURE 4", RS-47.</li> </ul>
	<ul style="list-style-type: none"> <li>● No malfunction is detected.</li> </ul>	<ul style="list-style-type: none"> <li>● Go to "DIAGNOSTIC PROCEDURE 3", RS-46.</li> </ul>
AIR BAG MODULE [OPEN]	<ul style="list-style-type: none"> <li>● Driver air bag module circuit is open. (including the spiral cable)</li> </ul>	<ol style="list-style-type: none"> <li>1. Visually check the wiring harness connection.</li> <li>2. Replace the harness if it has visible damage.</li> <li>3. Replace the spiral cable.</li> <li>4. Replace driver air bag module. (Before disposal of it, it must be deployed.)</li> <li>5. Replace the diagnosis sensor unit.</li> <li>6. Replace the related harness.</li> </ol>
AIR BAG MODULE [VB-SHORT]	<ul style="list-style-type: none"> <li>● Driver air bag module circuit is shorted to some power supply circuit. (including the spiral cable)</li> </ul>	
AIR BAG MODULE [GND-SHORT]	<ul style="list-style-type: none"> <li>● Driver air bag module circuit is shorted to ground. (including the spiral cable)</li> </ul>	
AIR BAG MODULE [SHORT]	<ul style="list-style-type: none"> <li>● Driver air bag module circuits are shorted to each other.</li> </ul>	
ASSIST A/B MODULE [VB-SHORT]	<ul style="list-style-type: none"> <li>● Front passenger air bag module circuit is shorted to some power supply circuit.</li> </ul>	<ol style="list-style-type: none"> <li>1. Visually check the wiring harness connection.</li> <li>2. Replace the harness if it has visible damage.</li> <li>3. Replace front passenger air bag module. (Before disposal of it, it must be deployed.)</li> <li>4. Replace the diagnosis sensor unit.</li> <li>5. Replace the related harness.</li> </ol>
ASSIST A/B MODULE [OPEN]	<ul style="list-style-type: none"> <li>● Front passenger air bag module circuit is open.</li> </ul>	
ASSIST A/B MODULE [GND-SHORT]	<ul style="list-style-type: none"> <li>● Front passenger air bag module circuit is shorted to ground.</li> </ul>	
ASSIST A/B MODULE [SHORT]	<ul style="list-style-type: none"> <li>● Front passenger air bag module circuits are shorted to each other.</li> </ul>	
SIDE MODULE LH [OPEN]	<ul style="list-style-type: none"> <li>● Front LH side air bag module circuit is open.</li> </ul>	<ol style="list-style-type: none"> <li>1. Visually check the wiring harness connection.</li> <li>2. Replace the harness if it has visible damage.</li> <li>3. Replace front LH seat back assembly. (Before disposal, the front LH side air bag module must be deployed.)</li> <li>4. Replace the diagnosis sensor unit.</li> <li>5. Replace the related harness.</li> </ol>
SIDE MODULE LH [VB-SHORT]	<ul style="list-style-type: none"> <li>● Front LH side air bag module circuit is shorted to some power supply circuits.</li> </ul>	
SIDE MODULE LH [GND-SHORT]	<ul style="list-style-type: none"> <li>● Front LH side air bag module circuit is shorted to ground.</li> </ul>	
SIDE MODULE LH [SHORT]	<ul style="list-style-type: none"> <li>● Front LH side air bag module circuits are shorted to each other.</li> </ul>	

# SUPPLEMENTAL RESTRAINT SYSTEM (SRS)

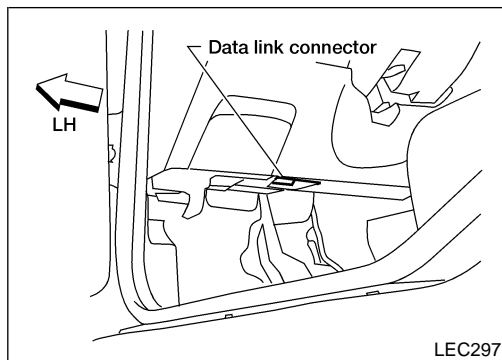
Trouble Diagnoses with CONSULT-II (Cont'd)

Diagnostic item	Explanation	Repair order <b>Recheck SRS at each replacement.</b>	
SIDE MODULE RH [OPEN]	● Front RH side air bag module circuit is open.	1. Visually check the wiring harness connection.	GI
SIDE MODULE RH [VB-SHORT]	● Front RH side air bag module circuit is shorted to some power supply circuits.	2. Replace the harness if it has visible damage.	MA
SIDE MODULE RH [GND-SHORT]	● Front RH side air bag module circuit is shorted to ground.	3. Replace front RH seat back assembly. (Before disposal, the front RH side air bag module must be deployed.)	EM
SIDE MODULE RH [SHORT]	● Front RH side air bag module circuits are shorted to each other.	4. Replace the diagnosis sensor unit. 5. Replace the related harness.	LC
SATELLITE SENS LH [UNIT FAIL] SATELLITE SENS LH [COMM FAIL]	● LH side air bag (satellite) sensor	1. Visually check the wiring harness connection. 2. Replace the harness if it has visible damage. 3. Replace the LH side air bag (satellite) sensor. 4. Replace the diagnosis sensor unit. 5. Replace the related harness.	EC FE CL
SATELLITE SENS RH [UNIT FAIL] SATELLITE SENS RH [COMM FAIL]	● RH side air bag (satellite) sensor	1. Visually check the wiring harness connection. 2. Replace the harness if it has visible damage. 3. Replace the RH side air bag (satellite) sensor. 4. Replace the diagnosis sensor unit. 5. Replace the related harness.	MT AT
PRE-TEN FRONT LH [OPEN/VB-SHORT]	● The circuit for the front LH pre-tensioner is open or shorted to some power supply circuit.	1. Visually check the wiring harness connections. 2. Replace the harness if it has visible damage.	AX
PRE-TEN FRONT LH [GND-SHORT]	● The circuit for the front LH pre-tensioner is shorted to ground.	3. Replace the front LH seat belt. (Before disposing, it must be deactivated.) 4. Replace the diagnosis sensor unit. 5. Replace the related harness.	SU BR
PRE-TEN FRONT RH [OPEN/VB-SHORT]	● The circuit for the front RH pre-tensioner is open or shorted to some power supply circuit.	1. Visually check the wiring harness connections. 2. Replace the harness if it has visible damage.	ST
PRE-TEN FRONT RH [GND-SHORT]	● The circuit for the front RH pre-tensioner is shorted to ground.	3. Replace the front RH seat belt. (Before disposing, it must be deactivated.) 4. Replace the diagnosis sensor unit. 5. Replace the related harness.	RS BT
CONTROL UNIT	● Low battery voltage (Less than 9V)	● Go to "DIAGNOSTIC PROCEDURE 3", RS-46 after charging battery.	HA
	● Diagnosis sensor unit is malfunctioning.	1. Visually check wiring harness connections. 2. Replace the harness if it has visible damage. 3. Replace diagnosis sensor unit. 4. Replace the related harness.	SC EL

Follow the procedures in numerical order when repairing malfunctioning parts. Confirm whether malfunction is eliminated using the air bag or seat belt warning lamp or CONSULT-II each time repair is finished. If malfunction is still observed, proceed to the next step. When malfunction is eliminated, further repair work is not required.

# SUPPLEMENTAL RESTRAINT SYSTEM (SRS)

 Trouble Diagnoses with CONSULT-II (Cont'd)

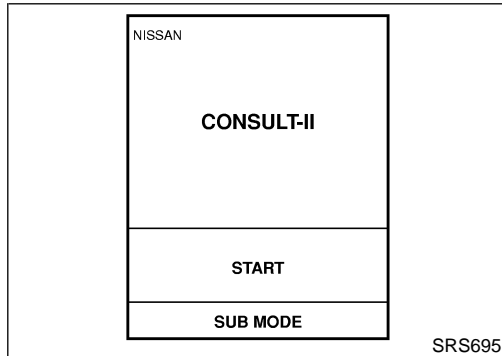


## DIAGNOSTIC PROCEDURE 3

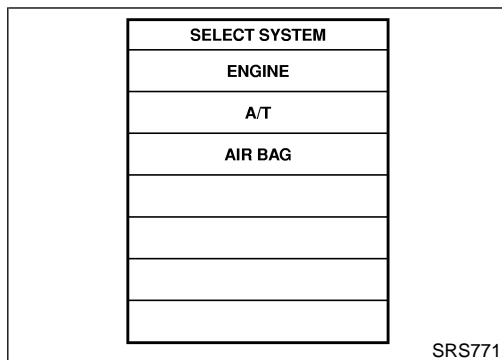
NIRS0028S02

### Final checking after repairing SRS by using CONSULT-II — Diagnosis mode

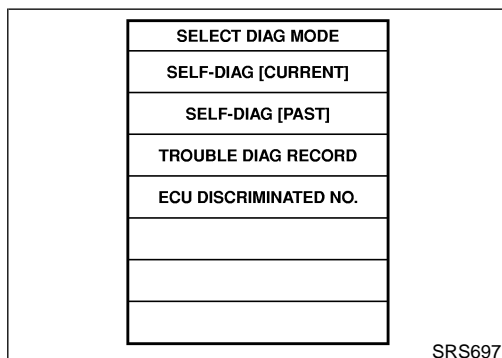
1. After repairing SRS, connect both battery cables.
2. Connect CONSULT-II to data link connector.
3. Turn ignition switch "ON".



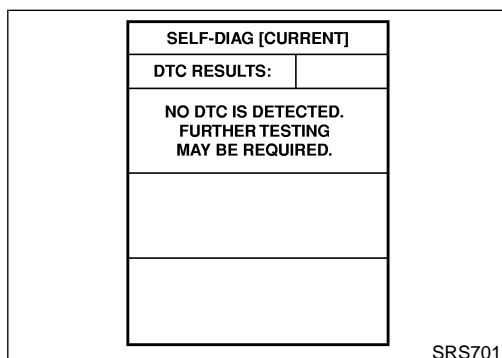
4. Touch "START".



5. Touch "AIR BAG".



6. Touch "SELF-DIAG [CURRENT]".



7. If no malfunction is detected on "SELF-DIAG [CURRENT]", repair of SRS is completed. Go to step 8. If any malfunction is detected on "SELF-DIAG [CURRENT]", the malfunctioning part is not repaired completely or another malfunctioning part is detected. Go to "DIAGNOSTIC PROCEDURE 2", RS-42, and repair malfunctioning part completely.

# SUPPLEMENTAL RESTRAINT SYSTEM (SRS)

Trouble Diagnoses with CONSULT-II (Cont'd)

SELF-DIAG [CURRENT]	
DTC RESULTS:	
AIR BAG MODULE [OPEN]	
ERASE	

SRS773

8. Touch "ERASE".

**NOTE:**

Touch "ERASE" to clear the memory of the malfunction ("SELF-DIAG [PAST]").

If the memory of the malfunction in "SELF-DIAG [PAST]" is not erased, the User mode shows the system malfunction by the operation of the warning lamp even if the malfunction is repaired completely.

SELECT DIAG MODE
SELF-DIAG [CURRENT]
SELF-DIAG [PAST]
TROUBLE DIAG RECORD
ECU DISCRIMINATED NO.

SRS697

9. Touch "BACK" key of CONSULT-II to "SELECT DIAG MODE" screen. Touch "SELF-DIAG [PAST]".

SELF-DIAG [PAST]
DTC RESULTS:
NO DTC IS DETECTED. FURTHER TESTING MAY BE REQUIRED.

SRS702

10. Check that no malfunction is detected on "SELF-DIAG [PAST]".

11. Touch "BACK" key of CONSULT-II until "SELECT SYSTEM" appears in order to return to User mode from Diagnosis mode.

12. Turn ignition switch "OFF" then turn off and disconnect CONSULT-II.

13. Go to "Checking SRS Operation by Using "AIR BAG" Warning Lamp with User Mode", RS-42.

**DIAGNOSTIC PROCEDURE 4 (CONTINUED FROM DIAGNOSTIC PROCEDURE 2)**


NIRS0028S03

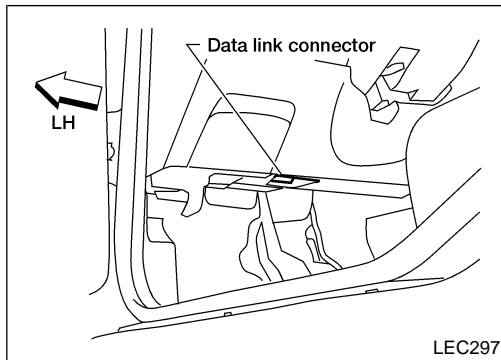
**Inspecting SRS malfunctioning record**

<b>1</b>	<b>CONSIDER POSSIBILITY OF NOT ERASING SELF-DIAGNOSTIC RESULT AFTER REPAIRING</b>	
Is it the first time for maintenance of SRS?		
Yes or No		
Yes	▶	Go to "DIAGNOSTIC PROCEDURE 5", RS-48.
No	▶	Self-diagnostic result "SELF-DIAG [PAST]" (previously stored in the memory) might not be erased after repair. Go to "DIAGNOSTIC PROCEDURE 3", RS-46.

GI  
MA  
EM  
LC  
EC  
FE  
CL  
MT  
AT  
AX  
SU  
BR  
ST  
RS  
BT  
HA  
SC  
EL  
IDX

# SUPPLEMENTAL RESTRAINT SYSTEM (SRS)

 Trouble Diagnoses with CONSULT-II (Cont'd)

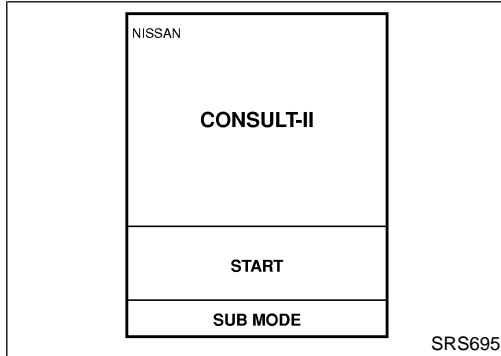


## DIAGNOSTIC PROCEDURE 5

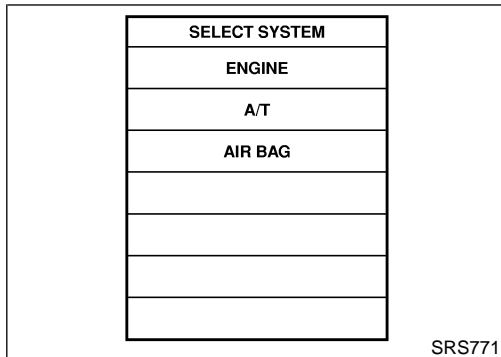
### Inspecting SRS intermittent malfunction by using CONSULT-II — Diagnosis mode

NIRS0028S04

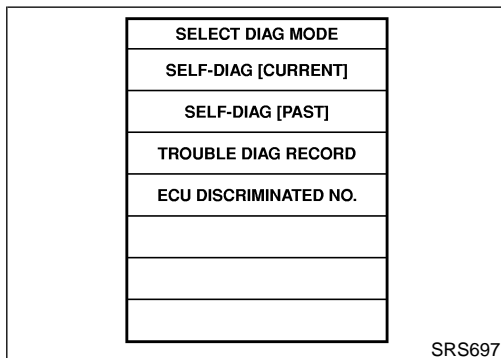
1. Turn ignition switch "OFF".
2. Connect "CONSULT-II" to data link connector.



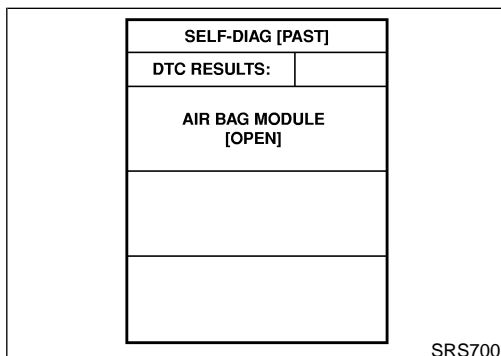
3. Turn ignition switch "ON".
4. Touch "START".



5. Touch "AIR BAG".



6. Touch "SELF-DIAG [PAST]".



7. If diagnostic codes are displayed on "SELF-DIAG [PAST]", go to step 10.



# SUPPLEMENTAL RESTRAINT SYSTEM (SRS)

④ Trouble Diagnoses with CONSULT-II (Cont'd)

SELF-DIAG [PAST]	
DTC RESULTS:	
NO DTC IS DETECTED. FURTHER TESTING MAY BE REQUIRED.	

SRS702

If no malfunction is detected on "SELF-DIAG [PAST]", touch "BACK" and go back to "SELECT DIAG MODE".

SELECT DIAG MODE
SELF-DIAG [CURRENT]
SELF-DIAG [PAST]
TROUBLE DIAG RECORD
ECU DISCRIMINATED NO.

SRS697

8. Touch "TROUBLE DIAG RECORD".

**NOTE:**  
With "TROUBLE DIAG RECORD", diagnosis results previously erased by a reset operation can be displayed.

TROUBLE DIAG RECORD	
DTC RESULTS:	
AIR BAG MODULE [OPEN]	

SRS704

9. Diagnostic code is displayed on "TROUBLE DIAG RECORD".

10. Touch "PRINT".

11. Compare diagnostic codes to "Intermittent Malfunction Diagnostic Code Chart ("SELF-DIAG [PAST]" or "TROUBLE DIAG RECORD")", RS-49.

12. Touch "BACK" key of CONSULT-II until "SELECT SYSTEM" appears.

13. Turn ignition switch "OFF", then turn off and disconnect CONSULT-II, and both battery cables.

14. Repair the system as outlined by the "Repair order" in "Intermittent Malfunction Diagnostic Code Chart", that corresponds to the self-diagnostic result. For replacement procedure of component parts, refer to "REMOVAL AND INSTALLATION", RS-19.

15. Go to "DIAGNOSTIC PROCEDURE 3", RS-46, for final checking.

## Intermittent Malfunction Diagnostic Code Chart ("SELF-DIAG [PAST]" or "TROUBLE DIAG RECORD")

NIRS0028S0401

Diagnostic item	Explanation	Repair order
NO DTC IS DETECTED.	<ul style="list-style-type: none"> <li>No malfunction is detected.</li> </ul>	<ul style="list-style-type: none"> <li>Go to "DIAGNOSTIC PROCEDURE 3", RS-46.</li> </ul>

GI  
MA  
EM  
LC  
EC  
FE  
CL  
MT  
AT  
AX  
SU  
BR  
ST  
RS  
BT  
HA  
SC  
EL  
IDX

## SUPPLEMENTAL RESTRAINT SYSTEM (SRS)

 Trouble Diagnoses with CONSULT-II (Cont'd)

Diagnostic item	Explanation	Repair order
AIR BAG MODULE [OPEN]	<ul style="list-style-type: none"> <li>● Driver air bag module circuit is open. (including the spiral cable)</li> </ul>	<ol style="list-style-type: none"> <li>1. Visually check the wiring harness connection.</li> <li>2. Replace the harness if it has visible damage.</li> <li>3. If the harness check is OK, replace the spiral cable, diagnosis sensor unit and driver air bag module. (Before disposing the driver air bag module, it must be deployed.)</li> </ol>
AIR BAG MODULE [VB-SHORT]	<ul style="list-style-type: none"> <li>● Driver air bag module circuit is shorted to some power supply circuit. (including the spiral cable)</li> </ul>	
AIR BAG MODULE [GND-SHORT]	<ul style="list-style-type: none"> <li>● Driver air bag module circuit is shorted to ground. (including the spiral cable)</li> </ul>	
AIR BAG MODULE [SHORT]	<ul style="list-style-type: none"> <li>● Driver air bag module circuits are shorted to each other.</li> </ul>	
ASSIST A/B MODULE [VB-SHORT]	<ul style="list-style-type: none"> <li>● Front passenger air bag module circuit is shorted to some power supply circuit.</li> </ul>	<ol style="list-style-type: none"> <li>1. Visually check the wiring harness connection.</li> <li>2. Replace the harness if it has visible damage.</li> <li>3. If the harness check is OK, replace the diagnosis sensor unit and front passenger air bag module. (Before disposing the front passenger air bag module, it must be deployed.)</li> </ol>
ASSIST A/B MODULE [OPEN]	<ul style="list-style-type: none"> <li>● Front passenger air bag module circuit is open.</li> </ul>	
ASSIST A/B MODULE [GND-SHORT]	<ul style="list-style-type: none"> <li>● Front passenger air bag module circuit is shorted to ground.</li> </ul>	
ASSIST A/B MODULE [SHORT]	<ul style="list-style-type: none"> <li>● Front passenger air bag module circuits are shorted to each other.</li> </ul>	
SIDE MODULE LH [OPEN]	<ul style="list-style-type: none"> <li>● Front LH side air bag module circuit is open.</li> </ul>	<ol style="list-style-type: none"> <li>1. Visually check the wiring harness connection.</li> <li>2. Replace the harness if it has visible damage.</li> <li>3. If the harness check is OK, replace the diagnosis sensor unit and front LH seat back assembly. (Before disposal, the front LH side air bag module must be deployed.)</li> </ol>
SIDE MODULE LH [VB-SHORT]	<ul style="list-style-type: none"> <li>● Front LH side air bag module circuit is shorted to some power supply circuits.</li> </ul>	
SIDE MODULE LH [GND-SHORT]	<ul style="list-style-type: none"> <li>● Front LH side air bag module circuit is shorted to ground.</li> </ul>	
SIDE MODULE LH [SHORT]	<ul style="list-style-type: none"> <li>● Front LH side air bag module circuits are shorted to each other.</li> </ul>	
SIDE MODULE RH [OPEN]	<ul style="list-style-type: none"> <li>● Front RH side air bag module circuit is open.</li> </ul>	<ol style="list-style-type: none"> <li>1. Visually check the wiring harness connection.</li> <li>2. Replace the harness if it has visible damage.</li> <li>3. If the harness check is OK, replace the diagnosis sensor unit and front RH seat back assembly. (Before disposal, the front RH side air bag module must be deployed.)</li> </ol>
SIDE MODULE RH [VB-SHORT]	<ul style="list-style-type: none"> <li>● Front RH side air bag module circuit is shorted to some power supply circuits.</li> </ul>	
SIDE MODULE RH [GND-SHORT]	<ul style="list-style-type: none"> <li>● Front RH side air bag module circuit is shorted to ground.</li> </ul>	
SIDE MODULE RH [SHORT]	<ul style="list-style-type: none"> <li>● Front RH side air bag module circuits are shorted to each other.</li> </ul>	
SATELLITE SENS LH [UNIT FAIL] SATELLITE SENS LH [COMM FAIL]	<ul style="list-style-type: none"> <li>● LH side air bag (satellite) sensor</li> </ul>	<ol style="list-style-type: none"> <li>1. Visually check the wiring harness connection.</li> <li>2. Replace the harness if it has visible damage.</li> <li>3. If the harness check is OK, replace the diagnosis sensor unit and LH side air bag (satellite) sensor.</li> </ol>
SATELLITE SENS RH [UNIT FAIL] SATELLITE SENS RH [COMM FAIL]	<ul style="list-style-type: none"> <li>● RH side air bag (satellite) sensor</li> </ul>	<ol style="list-style-type: none"> <li>1. Visually check the wiring harness connection.</li> <li>2. Replace the harness if it has visible damage.</li> <li>3. If the harness check is OK, replace the diagnosis sensor unit and RH side air bag (satellite) sensor.</li> </ol>

# SUPPLEMENTAL RESTRAINT SYSTEM (SRS)

 Trouble Diagnoses with CONSULT-II (Cont'd)

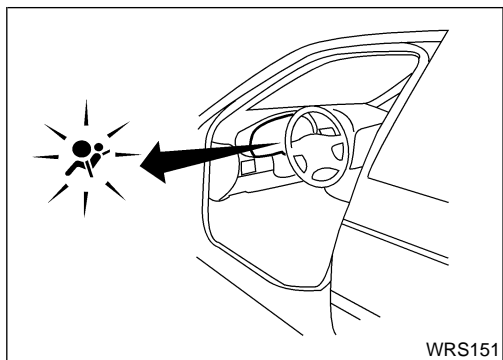
Diagnostic item	Explanation	Repair order
PRE-TEN FRONT LH [OPEN/VB-SHORT]	<ul style="list-style-type: none"> <li>The circuit for front LH pre-tensioner is open or shorted to some power supply circuit.</li> </ul>	<ol style="list-style-type: none"> <li>1. Visually check the wiring harness connections.</li> <li>2. Replace the harness if it has visible damage.</li> </ol>
PRE-TEN FRONT LH [GND-SHORT]	<ul style="list-style-type: none"> <li>The circuit for front LH pre-tensioner is shorted to ground.</li> </ul>	<ol style="list-style-type: none"> <li>3. If the harness check is OK, replace the diagnosis sensor unit and front LH seat belt. (Before disposing the front LH seat belt pre-tensioner, it must be deployed.)</li> </ol>
PRE-TEN FRONT RH [OPEN/VB-SHORT]	<ul style="list-style-type: none"> <li>The circuit for front RH pre-tensioner is open or shorted to some power supply circuit.</li> </ul>	<ol style="list-style-type: none"> <li>1. Visually check the wiring harness connections.</li> <li>2. Replace the harness if it has visible damage.</li> </ol>
PRE-TEN FRONT RH [GND-SHORT]	<ul style="list-style-type: none"> <li>The circuit for front RH pre-tensioner is shorted to ground.</li> </ul>	<ol style="list-style-type: none"> <li>3. If the harness check is OK, replace the diagnosis sensor unit and front RH seat belt. (Before disposing the front RH seat belt pre-tensioner, it must be deployed.)</li> </ol>
CONTROL UNIT	<ul style="list-style-type: none"> <li>Diagnosis sensor unit is malfunctioning.</li> </ul>	<ol style="list-style-type: none"> <li>1. Visually check the wiring harness connection.</li> <li>2. Replace the harness if it has visible damage.</li> <li>3. If the harness check is OK, replace the diagnosis sensor unit.</li> </ol>

Follow the procedures in numerical order when repairing malfunctioning parts, then make the final system check.

GI  
MA  
EM  
LC  
EC  
FE  
CL  
MT  
AT  
AX  
SU  
BR  
ST  
RS  
BT  
HA  
SC  
EL  
IDX

# SUPPLEMENTAL RESTRAINT SYSTEM (SRS)

⊗ Trouble Diagnoses without CONSULT-II



## ⊗ Trouble Diagnoses without CONSULT-II

=NIRS0029

### DIAGNOSTIC PROCEDURE 6

NIRS0029S01

Inspecting SRS malfunctioning parts by using "AIR BAG" warning lamp — Diagnosis mode

#### NOTE:

SRS will not enter Diagnosis mode if no malfunction is detected in User mode.

1. Turn ignition switch "ON".
2. After "AIR BAG" warning lamp lights for 7 seconds, turn ignition switch "OFF" within 1 second.
3. Wait more than 3 seconds.
4. Repeat steps 1 to 3 three times.
5. Turn ignition switch "ON".  
SRS is now in Diagnosis mode.
6. "AIR BAG" warning lamp operates in Diagnosis mode as follows:

#### NOTE:

If SRS does not enter Diagnosis mode even though malfunction is detected in User mode, check the battery voltage.

If the battery voltage is less than 9V, charge the battery. Then go to DIAGNOSTIC PROCEDURE 7, page RS-57.

If the battery voltage is OK, replace the diagnosis sensor unit.

# SUPPLEMENTAL RESTRAINT SYSTEM (SRS)

⊗ Trouble Diagnoses without CONSULT-II (Cont'd)

No.	"AIR BAG" warning lamp flash pattern — Diagnosis mode —	SRS condition	
1	<p style="text-align: right;">SRS333</p>	<p>a through b are repeated.</p> <ul style="list-style-type: none"> <li>Diagnosis results (previously stored in the memory) might not be erased after repair.</li> <li>Intermittent malfunction has been detected in the past.</li> </ul> <p>Go to "DIAGNOSTIC PROCEDURE 8" RS-59.</p>	<p>GI MA EM LC EC FE</p>
2	<p style="text-align: right;">SRS341</p>	<p>a through d are repeated.  <b>b</b> — Driver and front passenger air bag marker (For identifying driver air bag, front passenger air bag and/or seat belt pre-tensioner malfunctioning)  <b>d</b> — Indicates malfunctioning part. The number of flash varies with malfunctioning part (0.5 sec. ON and 0.5 sec. OFF is counted as one flash.)</p>	<p>The system is malfunctioning and needs to be repaired.</p> <p>CL MT AT</p>
3	<p style="text-align: right;">SRS342A</p>	<p>a through f are repeated.  <b>b, c, d</b> — Front side air bag marker (For identifying front side air bag malfunctioning)  <b>f</b> — Indicates malfunctioning part. The number of flash varies with malfunctioning part (0.5 sec. ON and 0.5 sec. OFF is counted as one flash.)</p>	<p>AX SU BR</p>

- Malfunctioning part is indicated by the number of flashes (part **d** or **f**). Compare the number of flashes to "Air Bag Warning Lamp Flash Code Chart (Diagnosis mode)", RS-54, and locate malfunctioning part.
- Turn ignition switch "OFF", and disconnect both battery cables.
- Repair the system as outlined by the "Repair order" in "Warning Lamp Flash Code Chart" that corresponds to the flash code. For replacement procedure of component parts, refer to RS-19.
- After repairing the system, refer to "DIAGNOSTIC PROCEDURE 7", RS-57.

RS

BT

HA

SC

EL

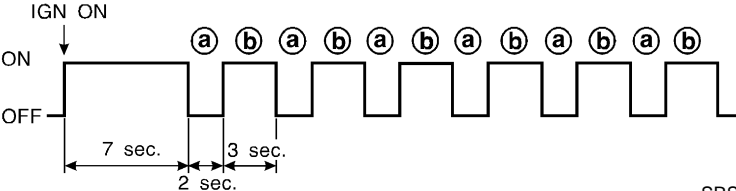
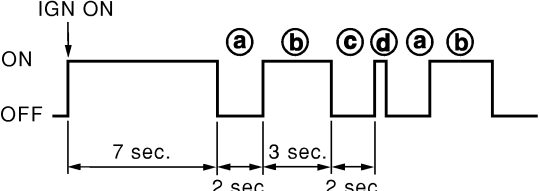
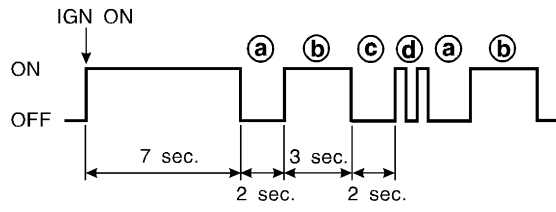
IDX

# SUPPLEMENTAL RESTRAINT SYSTEM (SRS)

⊗ Trouble Diagnoses without CONSULT-II (Cont'd)

## Air Bag Warning Lamp Flash Code Chart (Diagnosis mode)

NIRS0029S0101

<ul style="list-style-type: none"> <li>• Diagnosis results (previously stored in the memory) might not be erased after repair.</li> <li>• Intermittent malfunction has been detected in the past.</li> </ul>	<p style="text-align: center;">Flash pattern</p>  <p style="text-align: right;">SRS333</p>	<p><b>a</b> through <b>b</b> are repeated.</p>
<p>Repair order</p>		
<ul style="list-style-type: none"> <li>• Go to DIAGNOSTIC PROCEDURE 8 (RS-59).</li> </ul>		
<p>The front RH seat belt pre-tensioner circuit is malfunctioning. (<b>d</b>: 1 flash)</p>	<p style="text-align: center;">Flash pattern</p>  <p style="text-align: right;">SRS801</p>	<p><b>a</b> through <b>d</b> are repeated. <b>d</b> — One flash indicates malfunctioning front RH pre-tensioner circuit.</p>
<p>Repair order ("Recheck SRS at each replacement").</p>		
<ol style="list-style-type: none"> <li>1. Visually check the wiring harness connections.</li> <li>2. Replace the harness if it has visible damage.</li> <li>3. Replace front RH seat belt pre-tensioner. (Before disposing, it must be deployed.)</li> <li>4. Replace the diagnosis sensor unit.</li> <li>5. Replace the related harness.</li> </ol>		
<p>The driver air bag module circuit is malfunctioning. (<b>d</b>: 2 flashes)</p>	<p style="text-align: center;">Flash pattern</p>  <p style="text-align: right;">SRS334</p>	<p><b>a</b> through <b>d</b> are repeated. <b>d</b> — Two flashes indicate malfunctioning driver air bag module circuit.</p>
<p>Repair order ("Recheck SRS at each replacement.")</p>		
<ol style="list-style-type: none"> <li>1. Visually check the wiring harness connection.</li> <li>2. Replace the harness if it has visible damage.</li> <li>3. Replace the spiral cable.</li> <li>4. Replace driver air bag module. (Before disposal, it must be deployed.)</li> <li>5. Replace the diagnosis sensor unit.</li> <li>6. Replace the related harness.</li> </ol>		

# SUPPLEMENTAL RESTRAINT SYSTEM (SRS)

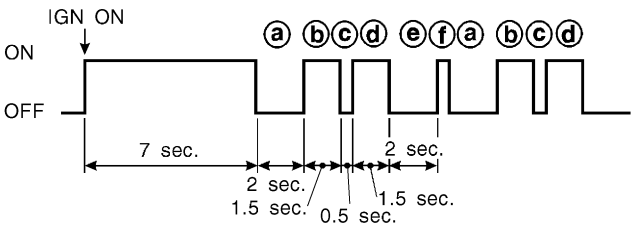
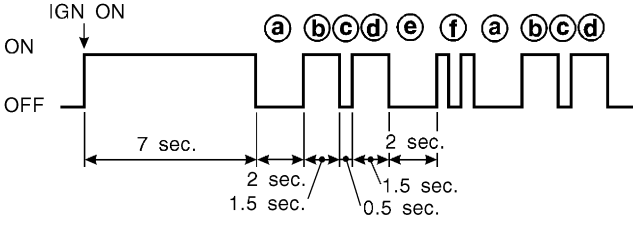
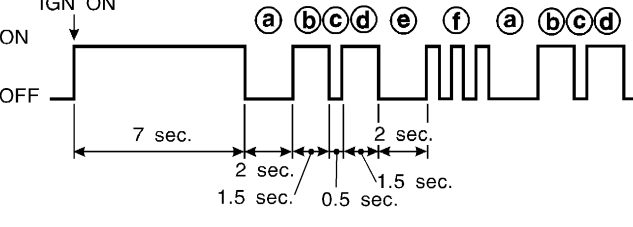
Trouble Diagnoses without CONSULT-II (Cont'd)

<p>The front LH seat belt pre-tensioner circuit is malfunctioning. (d: 3 flashes)</p>	<p style="text-align: center;">Flash pattern</p> <p style="text-align: right;">SRS802</p>	<p>GI MA EM LC EC FE CL</p>
	<p>Repair order ("Recheck SRS at each replacement").</p>	
	<ol style="list-style-type: none"> <li>1. Visually check the wiring harness connections.</li> <li>2. Replace the harness if it has visible damage.</li> <li>3. Replace front LH seat belt pre-tensioner. (Before disposing, it must be deployed.)</li> <li>4. Replace the diagnosis sensor unit.</li> <li>5. Replace the related harness.</li> </ol>	
<p>The diagnosis sensor unit is malfunctioning. (d: 7 flashes)</p>	<p style="text-align: center;">Flash pattern</p> <p style="text-align: right;">SRS335</p>	<p>MT AT AX SU BR</p>
	<p>Repair order ("Recheck SRS at each replacement.")</p>	
	<ol style="list-style-type: none"> <li>1. Visually check the wiring harness connections.</li> <li>2. Replace the harness if it has visible damage.</li> <li>3. Replace the diagnosis sensor unit.</li> <li>4. Replace the related harness.</li> </ol>	
<p>The front passenger air bag module circuit is malfunctioning. (d: 8 flashes)</p>	<p style="text-align: center;">Flash pattern</p> <p style="text-align: right;">SRS336</p>	<p>ST RS BT HA SC EL</p>
	<p>Repair order ("Recheck SRS at each replacement.")</p>	
	<ol style="list-style-type: none"> <li>1. Visually check the wiring harness connection.</li> <li>2. Replace the harness if it has visible damage.</li> <li>3. Replace front passenger air bag module. (Before disposal, it must be deployed.)</li> <li>4. Replace the diagnosis sensor unit.</li> <li>5. Replace the related harness.</li> </ol>	

IDX

# SUPPLEMENTAL RESTRAINT SYSTEM (SRS)

⊗ Trouble Diagnoses without CONSULT-II (Cont'd)

<p>The front RH side air bag module circuit is malfunctioning. (f: 1 flash)</p>	<p style="text-align: center;">Flash pattern</p>  <p style="text-align: right;">SRS338</p> <p>a through f are repeated. f — One flash indicates malfunctioning front RH side air bag module circuit.</p> <p>Repair order ("Recheck SRS at each replacement.")</p> <ol style="list-style-type: none"> <li>1. Visually check the wiring harness connection.</li> <li>2. Replace the harness if it has visible damage.</li> <li>3. Replace front RH seat back assembly. (Before disposal, the front RH side air bag module must be deployed.)</li> <li>4. Replace the diagnosis sensor unit.</li> <li>5. Replace the related harness.</li> </ol>
<p>The front LH side air bag module circuit is malfunctioning. (f: 2 flashes)</p>	<p style="text-align: center;">Flash pattern</p>  <p style="text-align: right;">SRS337</p> <p>a through f are repeated. f — Two flashes indicate malfunctioning front LH side air bag module circuit.</p> <p>Repair order ("Recheck SRS at each replacement.")</p> <ol style="list-style-type: none"> <li>1. Visually check the wiring harness connection.</li> <li>2. Replace the harness if it has visible damage.</li> <li>3. Replace front LH seat back assembly. (Before disposal, the front LH side air bag module must be deployed.)</li> <li>4. Replace the diagnosis sensor unit.</li> <li>5. Replace the related harness.</li> </ol>
<p>The RH side air bag (satellite) sensor is malfunctioning. (f: 3 flashes)</p>	<p style="text-align: center;">Flash pattern</p>  <p style="text-align: right;">SRS340</p> <p>a through f are repeated. f — Three flashes indicate malfunctioning RH side air bag (satellite) sensor circuit.</p> <p>Repair order ("Recheck SRS at each replacement.")</p> <ol style="list-style-type: none"> <li>1. Visually check the wiring harness connection.</li> <li>2. Replace the harness if it has visible damage.</li> <li>3. Replace the RH side air bag (satellite) sensor.</li> <li>4. Replace the diagnosis sensor unit.</li> <li>5. Replace the related harness.</li> </ol>

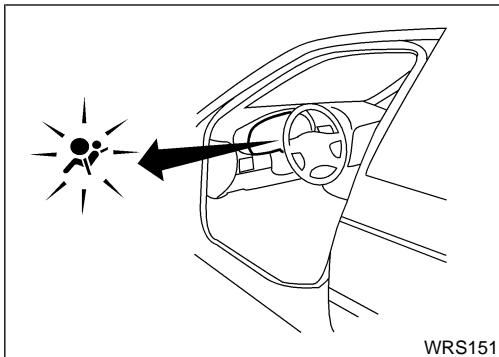


# SUPPLEMENTAL RESTRAINT SYSTEM (SRS)

Trouble Diagnoses without CONSULT-II (Cont'd)

<p>The LH side air bag (satellite) sensor is malfunctioning. (f: 4 flashes)</p>	Flash pattern		<p>a through f are repeated. f — Four flashes indicate malfunctioning LH side air bag (satellite) sensor circuit.</p>	<p>GI MA EM LC EC FE CL MT</p>	
					<p>SRS339-A</p>
	<p>Repair order ("Recheck SRS at each replacement.")</p> <ol style="list-style-type: none"> <li>1. Visually check the wiring harness connection.</li> <li>2. Replace the harness if it has visible damage.</li> <li>3. Replace the LH side air bag (satellite) sensor.</li> <li>4. Replace the diagnosis sensor unit.</li> <li>5. Replace the related harness.</li> </ol>				

Follow the procedures in numerical order when repairing malfunctioning parts. Confirm whether malfunction is eliminated using the air bag warning lamp or CONSULT-II each time repair is finished. If malfunction is still observed, proceed to the next step. When malfunction is eliminated, further repair work is not required.



## DIAGNOSTIC PROCEDURE 7

Final checking after repairing SRS by using "AIR BAG" <sup>NIRS0029S02</sup> warning lamp — Diagnosis mode and User mode

1. After repairing SRS connect both battery cables.
2. Open driver's door.
3. Turn ignition switch "ON".
4. "AIR BAG" warning lamp operates in Diagnosis mode as follows:

RS

BT

HA

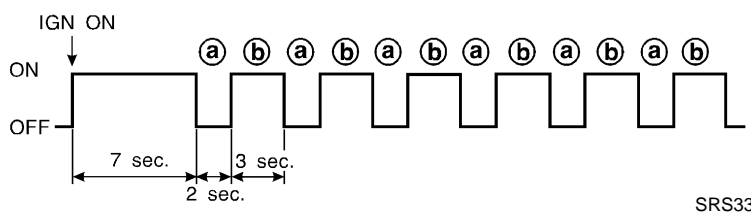
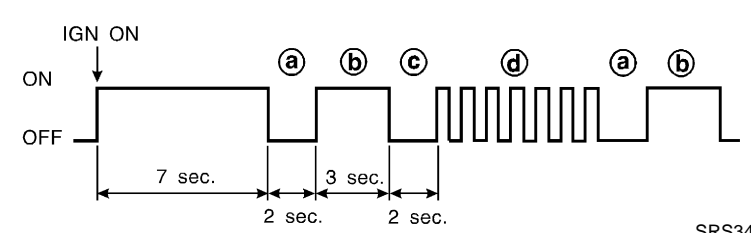
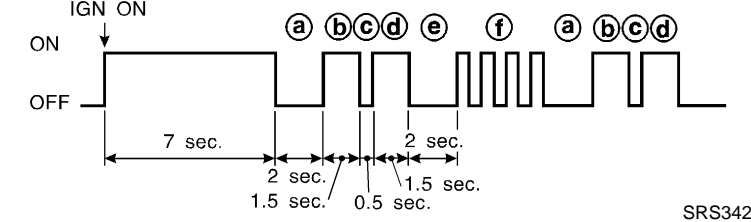
SC

EL

IDX

# SUPPLEMENTAL RESTRAINT SYSTEM (SRS)

⊗ Trouble Diagnoses without CONSULT-II (Cont'd)

No.	"AIR BAG" warning lamp flash pattern — Diagnosis mode —	SRS condition
1	 <p style="text-align: right;">SRS333</p>	<p><b>a</b> through <b>b</b> are repeated.</p> <p>No malfunction is detected or repair is completed. No further action is necessary.</p>
2	 <p style="text-align: right;">SRS341</p>	<p><b>a</b> through <b>d</b> are repeated.</p> <p><b>b</b> — Driver and front passenger air bag marker (For identifying driver air bag, front passenger air bag and/or seat belt pre-tensioner malfunctioning)</p> <p><b>d</b> — Indicates malfunctioning part. The number of flashes varies with malfunctioning part (0.5 sec. ON and 0.5 sec. OFF is counted as one flash.)</p> <p>The system is malfunctioning and needs to be repaired.</p>
3	 <p style="text-align: right;">SRS342A</p>	<p><b>a</b> through <b>f</b> are repeated.</p> <p><b>b, c, d</b> — Front side air bag marker (For identifying front side air bag malfunctioning)</p> <p><b>f</b> — Indicates malfunctioning part. The number of flashes varies with malfunctioning part (0.5 sec. ON and 0.5 sec. OFF is counted as one flash.)</p>

**NOTE:**

When diagnosis sensor unit is replaced with new one, "AIR BAG" warning lamp will operate in User mode. Checking "AIR BAG" warning lamp operation in Diagnosis mode is not required. Go to step 6.

5. If "AIR BAG" warning lamp operates as shown in No. 1 in chart above, turn ignition switch "OFF" to reset from Diagnosis mode to User mode and to erase the memory of the malfunction. Then go to step 6.

If "AIR BAG" warning lamp operates as shown in No. 2 or No. 3 in chart above, the malfunctioning part is not repaired completely, or another malfunctioning part is detected. Go to "DIAGNOSTIC PROCEDURE 6", RS-52, and repair malfunctioning part completely.

6. Turn ignition switch "ON". "AIR BAG" warning lamp operates in User mode. Compare "AIR BAG" warning lamp operation to the chart below.

**NOTE:**


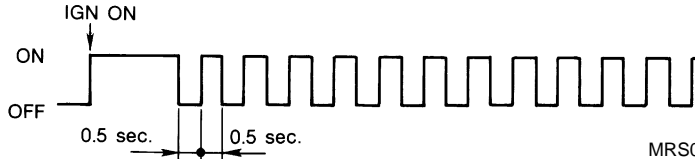
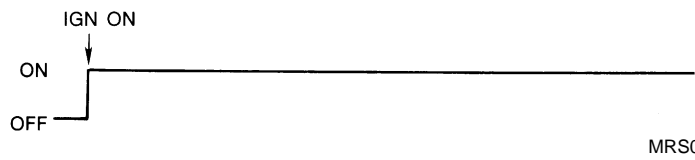

If switching Diagnosis mode to User mode is required while malfunction is being detected, turn ignition switch as follows:

7. Turn ignition switch "ON".
8. After "AIR BAG" warning lamp lights for 7 seconds, turn ignition switch "OFF".
9. Wait more than 3 seconds.
10. Repeat steps 1 to 3 three times.
11. Turn ignition switch "ON".

SRS is now in User mode.

# SUPPLEMENTAL RESTRAINT SYSTEM (SRS)

⊗ Trouble Diagnoses without CONSULT-II (Cont'd)

"AIR BAG" warning lamp operation — User mode —	SRS condition	Reference item	
 <p>MRS095A</p>	No malfunction is detected. No further action is necessary.	—	GI MA
 <p>MRS096A</p>	The system is malfunctioning and needs to be repaired as indicated.	Go to "DIAGNOSTIC PROCEDURE 6", RS-52.	EM LC
 <p>MRS097A</p>	Air bag is deployed.  Air bag fuse, diagnosis sensor unit or harness is malfunctioning and needs to be repaired.	Go to "Collision Diagnosis", RS-63.  Go to "DIAGNOSTIC PROCEDURE 9", RS-60.	EC FE CL
 <p>MRS098A</p>	One of the following has occurred and needs to be repaired. <ul style="list-style-type: none"> <li>● Meter fuse is blown.</li> <li>● "AIR BAG" warning lamp circuit has open or short.</li> <li>● Diagnosis sensor unit is malfunctioning.</li> </ul>	Go to "DIAGNOSTIC PROCEDURE 10", RS-62.	MT AT AX

## DIAGNOSTIC PROCEDURE 8 (CONTINUED FROM DIAGNOSTIC PROCEDURE 6)

### Inspecting SRS malfunctioning record

NIRS0029S03

<b>1</b>	<b>CONSIDER POSSIBILITY OF NOT ERASING SELF-DIAGNOSTIC RESULT AFTER REPAIRING</b>		BR
Is it the first time for maintenance of SRS?			
<b>Yes or No</b>			ST
Yes	▶	Go to "DIAGNOSTIC PROCEDURE 5", RS-48. (Further inspection cannot be performed without CONSULT-II.)	
No	▶	Diagnosis results (previously stored in the memory) might not be erased after repair. Go to "DIAGNOSTIC PROCEDURE 7", RS-57.	<b>RS</b>

GI  
MA

EM  
LC

EC  
FE

CL  
MT

AT  
AX

SU  
BR

ST  
**RS**

BT  
HA

SC  
EL

IDX

# SUPPLEMENTAL RESTRAINT SYSTEM (SRS)

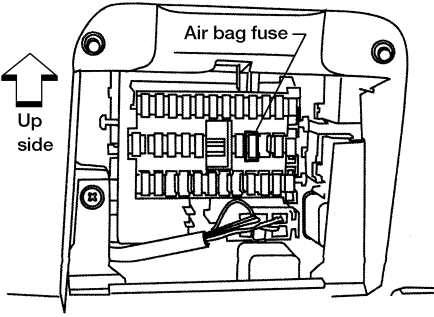
Trouble Diagnoses: "AIR BAG" Warning Lamp Does Not Turn Off

## Trouble Diagnoses: "AIR BAG" Warning Lamp Does Not Turn Off DIAGNOSTIC PROCEDURE 9

=NIRS0030

NIRS0030S01

<b>1</b>	<b>SEE THE DEPLOYMENT OF AIR BAG MODULE</b>	
Is air bag module deployed?		
<b>Yes or No</b>		
Yes	▶	Refer to "Collision Diagnosis", RS-63.
No	▶	GO TO 2.

<b>2</b>	<b>CHECK AIR BAG FUSE</b>	
Check 10A fuse 18 [located in the fuse block (J/B)].		
		
<b>OK or NG</b>		
OK	▶	GO TO 4.
NG	▶	GO TO 3.

LRS067

<b>3</b>	<b>CHECK AIR BAG FUSE AGAIN</b>	
Replace "AIR BAG" fuse and turn ignition switch ON.		
<b>Is "AIR BAG" fuse blown again?</b>		
Yes	▶	Repair main harness and/or replace related harness.
No	▶	INSPECTION END

# SUPPLEMENTAL RESTRAINT SYSTEM (SRS)

Trouble Diagnoses: "AIR BAG" Warning Lamp Does Not Turn Off (Cont'd)

<b>4</b>	<b>CHECK DIAGNOSIS SENSOR UNIT</b>									
<p>Ⓜ Connect CONSULT-II and touch "START".</p> <ul style="list-style-type: none"> <li>Is "AIR BAG" displayed on CONSULT-II?</li> </ul>										
<table border="1" style="margin: auto;"> <tr><td style="text-align: center;">SELECT SYSTEM</td></tr> <tr><td style="text-align: center;">ENGINE</td></tr> <tr><td style="text-align: center;">A/T</td></tr> <tr><td style="text-align: center;">AIR BAG</td></tr> <tr><td style="text-align: center;"> </td></tr> <tr><td style="text-align: center;"> </td></tr> <tr><td style="text-align: center;"> </td></tr> <tr><td style="text-align: center;"> </td></tr> </table>			SELECT SYSTEM	ENGINE	A/T	AIR BAG				
SELECT SYSTEM										
ENGINE										
A/T										
AIR BAG										
SRS771										
<b>Yes or No</b>										
Yes	▶	GO TO 5.								
No	▶	Visually check the wiring harness connection of diagnosis sensor unit. If the harness connection check result is OK, replace diagnosis sensor unit.								

<b>5</b>	<b>CHECK HARNESS CONNECTION</b>	
Is harness connection between warning lamp and diagnosis sensor unit OK?		
<b>OK or NG</b>		
OK	▶	Replace diagnosis sensor unit.
NG	▶	Connect "AIR BAG" warning lamp and diagnosis sensor unit connector properly. If "AIR BAG" warning lamp still does not go off, replace harness.

GI  
MA  
EM  
LC  
EC  
FE  
CL  
MT  
AT  
AX  
SU  
BR  
ST  
RS  
BT  
HA  
SC  
EL  
IDX

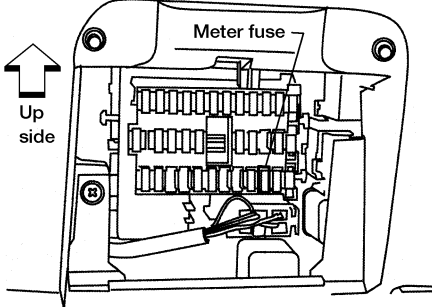
# SUPPLEMENTAL RESTRAINT SYSTEM (SRS)

Trouble Diagnoses: "AIR BAG" Warning Lamp Does Not Turn On

## Trouble Diagnoses: "AIR BAG" Warning Lamp Does Not Turn On DIAGNOSTIC PROCEDURE 10

=NIRS0031

NIRS0031S01

<b>1</b>	<b>CHECK "METER" FUSE</b>	
Check 10A fuse 30 [located in the fuse block (J/B)].		
		
LRS068		
<b>OK or NG</b>		
OK	▶	GO TO 3.
NG	▶	GO TO 2.

<b>2</b>	<b>CHECK "METER" FUSE AGAIN</b>	
Replace "METER" fuse and turn ignition switch ON.		
<b>Is "METER" fuse blown again?</b>		
Yes	▶	Repair main harness.
No	▶	INSPECTION END

<b>3</b>	<b>CHECK "AIR BAG" WARNING LAMP LED</b>	
Is "AIR BAG" warning lamp LED OK?		
<b>OK or NG</b>		
OK	▶	GO TO 4.
NG	▶	Replace "AIR BAG" warning lamp LED.

<b>4</b>	<b>CHECK HARNESS CONNECTION BETWEEN DIAGNOSIS SENSOR UNIT AND "AIR BAG" WARNING LAMP</b>	
Disconnect diagnosis sensor unit connector and turn ignition switch "ON".		
● Does "AIR BAG" warning lamp turn on?		
<b>Yes or No</b>		
Yes	▶	Replace diagnosis sensor unit.
No	▶	Check the ground circuit of "AIR BAG" warning lamp.

# SUPPLEMENTAL RESTRAINT SYSTEM (SRS)

Collision Diagnosis

## Collision Diagnosis

NIRS0033

NIRS0033S01

### FOR FRONTAL COLLISION

To repair the SRS, perform the following steps.

#### When SRS (except the side air bag) is activated in a collision:

- 1) Replace the diagnosis sensor unit.
- 2) Remove the air bag modules (except the side air bag module) and front seat belt pre-tensioner assemblies.
- 3) Check the SRS components using the table shown below:
  - Replace any SRS components showing visible signs of damage (dents, cracks and deformation).
- 4) Install new air bag modules (except the side air bag module) and front seat belt pre-tensioner assemblies.
- 5) Conduct self-diagnosis using CONSULT-II or "AIR BAG" warning lamp. Refer to "SRS Operation Check", RS-42 for details. Ensure entire SRS operates properly.

#### When SRS is not activated in a collision:

- 1) Check the SRS components using the table shown below:
  - Replace any SRS components showing visible signs of damage (dents, cracks and deformation).
- 2) Conduct self-diagnosis using CONSULT-II or "AIR BAG" warning lamp. Refer to "SRS Operation Check", RS-42 for details. Ensure entire SRS operates properly.

### SRS Inspection (For frontal collision)

NIRS0033S0101

Part	SRS is activated	SRS is NOT activated
Air bag module (driver and front passenger side)	REPLACE Install with new bolts coated with bonding agent.	<ol style="list-style-type: none"> <li>1. Remove air bag module. Check harness cover and connectors for damage, terminals for deformities, and harness for binding.</li> <li>2. Install air bag modules.                             <ol style="list-style-type: none"> <li>a. Install driver air bag module into the steering wheel to check fit and alignment with the wheel.</li> <li>b. Install front passenger air bag module into the instrument panel to check fit with the instrument panel.</li> </ol> </li> <li>3. No damage found, reinstall with new bolts coated with bonding agent.</li> <li>4. If damaged—REPLACE. Install air bag modules with new bolts coated with bonding agent. Air bag must be deployed before discarding.</li> </ol>
Front seat belt pre-tensioner assembly	REPLACE Install front seat belt pre-tensioner with new bolts.	<ol style="list-style-type: none"> <li>1. Remove front seat belt pre-tensioners. Check harness cover and connectors for damage, terminals for deformities, and harness for binding.</li> <li>2. Check belts for damage and anchors for loose mounting.</li> <li>3. Check retractor for smooth operation.</li> <li>4. If no damage is found, reinstall the front seat belt pre-tensioner assembly.</li> <li>5. If damaged—REPLACE. Install the front seat belt pre-tensioners with new bolts coated with bonding agent. Front seat belt pre-tensioners must be deployed before discarding.</li> </ol>
Diagnosis sensor unit	REPLACE Install with new bolts coated with bonding agent.	<ol style="list-style-type: none"> <li>1. Check case and bracket for dents, cracks or deformities.</li> <li>2. Check connectors for damage, and terminals for deformities.</li> <li>3. If no damage is found, reinstall with new bolts and ground bolt coated with bonding agent.</li> <li>4. If damaged—REPLACE. Install diagnosis sensor unit with new bolts and ground bolt coated with bonding agent.</li> </ol>
Steering wheel	<ol style="list-style-type: none"> <li>1. Visually check steering wheel for deformities.</li> <li>2. Check harness (built into steering wheel) and connectors for damage, and terminals for deformities.</li> <li>3. Install driver air bag module to check fit or alignment with steering wheel.</li> <li>4. Check steering wheel for excessive free play.</li> <li>5. If no damage is found, reinstall with new bolts.</li> <li>6. If damaged—REPLACE.</li> </ol>	
Spiral cable	<ol style="list-style-type: none"> <li>1. Visually check spiral cable and combination switch for damage.</li> <li>2. Check connectors and protective tape for damage.</li> <li>3. Check steering wheel for noise, binding or heavy operation.</li> <li>4. If no damage is found, reinstall with new bolts.</li> <li>5. If damaged—REPLACE.</li> </ol>	

# SUPPLEMENTAL RESTRAINT SYSTEM (SRS)

Collision Diagnosis (Cont'd)

Part	SRS is activated	SRS is NOT activated
Harness and Connectors	<ol style="list-style-type: none"> <li>1. Check connectors for poor connection, damage, and terminals for deformities.</li> <li>2. Check harness for binding, chafing, cuts, or deformities.</li> <li>3. If no damage is found, reinstall the harness and connectors.</li> <li>4. Damaged—REPLACE damaged harness. Do not attempt to repair, splice or modify any SRS harness.</li> </ol>	
Instrument panel	<ol style="list-style-type: none"> <li>1. When front passenger air bag inflates, check the following points for bending, deformities or cracks. <ul style="list-style-type: none"> <li>● Opening portion for front passenger air bag</li> </ul> <div data-bbox="743 422 1122 695" data-label="Image"> </div> <div data-bbox="748 722 893 747" data-label="Caption"> <p>⊘: Check points</p> </div> <ul style="list-style-type: none"> <li>● Front passenger air bag module brackets</li> </ul> <div data-bbox="737 814 1127 1100" data-label="Image"> </div> <div data-bbox="764 1113 912 1138" data-label="Caption"> <p>⊘: Check points</p> </div> <ul style="list-style-type: none"> <li>● The portions securing the instrument panel</li> </ul> <div data-bbox="711 1178 1166 1472" data-label="Image"> </div> <div data-bbox="711 1499 863 1524" data-label="Caption"> <p>⊘: Check points</p> </div> </li></ol> <ol style="list-style-type: none"> <li>2. If no damage is found, reinstall the instrument panel.</li> <li>3. If damaged—REPLACE the instrument panel with new bolts and nuts.</li> </ol>	

LRS069

LRS070

LRS071

## FOR SIDE COLLISION

To repair the SRS for a side collision, perform the following steps.

**When the side air bag is activated in the side collision:**

- 1) Replace the following components:
  - Front seatback assembly (on the side on which side air bag is activated)
  - Diagnosis sensor unit
  - Side air bag (satellite) sensor (on the side on which side air bag is activated)
- 2) Check the SRS components and the related parts using the table shown below.
  - Replace any SRS components and the related parts showing visible signs of damage (dents, cracks, deformation).
- 3) Conduct self-diagnosis using CONSULT-II and “AIR BAG” warning lamp. Refer to “SRS Operation Check”

NIRS0033S02



# SUPPLEMENTAL RESTRAINT SYSTEM (SRS)

Collision Diagnosis (Cont'd)

(RS-42) for details. Ensure entire SRS operates properly.

## When SRS is not activated in the side collision:

- 1) Check the SRS components and the related parts using the table shown below.
  - If the front seatback is damaged, the front seatback assembly must be replaced.
- 2) Conduct self-diagnosis using CONSULT-II and "AIR BAG" warning lamp. Refer to "SRS Operation Check" (RS-42) for details. Ensure entire SRS operates properly.

## SRS Inspection (For side collision)

NIRS0033S0201

Part	Side air bag is activated	SRS is NOT activated
Front (LH or RH) side air bag module	REPLACE front seatback assembly.	<ol style="list-style-type: none"> <li>1. Check for visible signs of damage (dents, tears, deformation) of the seat back on the collision side.</li> <li>2. If damaged—REPLACE the front seatback assembly.</li> <li>3. Check harness and connectors for damage, and terminals for deformities.</li> <li>4. If damaged—REPLACE the front seatback assembly. Air bag must be deployed before disposing of it.</li> </ol>
(LH or RH) Side air bag (satellite) sensor	REPLACE the side air bag (satellite) sensor on the collision side with new nut and bolt coated with bonding agent. (Repair the center pillar inner, etc. before installing new one if damaged.)	<ol style="list-style-type: none"> <li>1. Remove the side air bag (satellite) sensor on the collision side. Check harness connectors for damage, terminals for deformities, and harness for binding.</li> <li>2. Check for visible signs of damage (dents, cracks, deformation) of the satellite sensor.</li> <li>3. Install the side air bag (satellite) sensor to check fit.</li> <li>4. If no damage is found, reinstall the side air bag (satellite) sensor with new nuts coated with bonding agent.</li> <li>5. If damaged—REPLACE the side air bag (satellite) sensor with new nut and bolt coated with bonding agent.</li> </ol>
Diagnosis sensor unit	REPLACE the diagnosis sensor unit with new bolts.	<ol style="list-style-type: none"> <li>1. Check case and bracket for dents, cracks or deformities.</li> <li>2. Check connectors for damage, and terminals for deformities.</li> <li>3. If no damage is found, reinstall with new bolts and ground bolt coated with bonding agent.</li> <li>4. If damaged—REPLACE. Install diagnosis sensor unit with new bolts and ground bolt coated with bonding agent.</li> </ol>
Front seat belt pre-tensioner assembly	<ol style="list-style-type: none"> <li>1. Check if the seat belt can be extended smoothly. If the seat belt cannot be extended smoothly.                             <ul style="list-style-type: none"> <li>– Check for deformities of the center pillar inner.</li> <li>– If the center pillar inner has no damage, REPLACE the front seat belt pre-tensioner assembly.</li> </ul> </li> <li>2. Remove the front seat belt pre-tensioner assembly on the collision side. Check harness cover and connectors for damage, terminals for deformities, and harness for binding.</li> <li>3. Check for visible signs of damage (dents, cracks, deformation) of the front seat belt pre-tensioner assembly.</li> <li>4. If no damage is found, reinstall the front seat belt pre-tensioner assembly.</li> <li>5. If damaged—REPLACE the front seat belt pre-tensioner assembly with new bolts coated with bonding agent. The front seat belt pre-tensioner assembly must be deployed before disposing of it.</li> </ol>	
Seat (with side air bag)	REPLACE front seatback assembly.	<ol style="list-style-type: none"> <li>1. Visually check the seat on the collision side.</li> <li>2. Remove the seat on the collision side and check the following for damage and deformities.                             <ul style="list-style-type: none"> <li>● Harness, connectors and terminals</li> <li>● Frame and recliner (for front and rear seat), and also adjuster and slides (for front seat)</li> </ul> </li> <li>3. If no damage is found, reinstall the seat.</li> <li>4. If damaged—REPLACE the damaged seat parts with new bolts. If the front seatback is damaged, the front seatback assembly must be replaced.</li> </ol>
Center pillar inner	<ol style="list-style-type: none"> <li>1. Check the center pillar inner on the collision side for damage (dents, cracks, deformation).</li> <li>2. If damaged—REPAIR the center pillar inner.</li> </ol>	
Trim	<ol style="list-style-type: none"> <li>1. Check for visible signs of damage (dents, cracks, deformation) of the interior trim on the collision side.</li> <li>2. If damaged—REPLACE the damaged trim parts.</li> </ol>	

## NOTES