

SECTION **ACC**
ACCELERATOR CONTROL SYSTEM

A

ACC

C

D

CONTENTS

E

ACCELERATOR CONTROL SYSTEM	2	SERVICE DATA AND SPECIFICATIONS (SDS)	4	F
Removal and Installation	2	Accelerator Control	4	
		PEDAL TRAVEL	4	

G

H

I

J

K

L

M

ACCELERATOR CONTROL SYSTEM

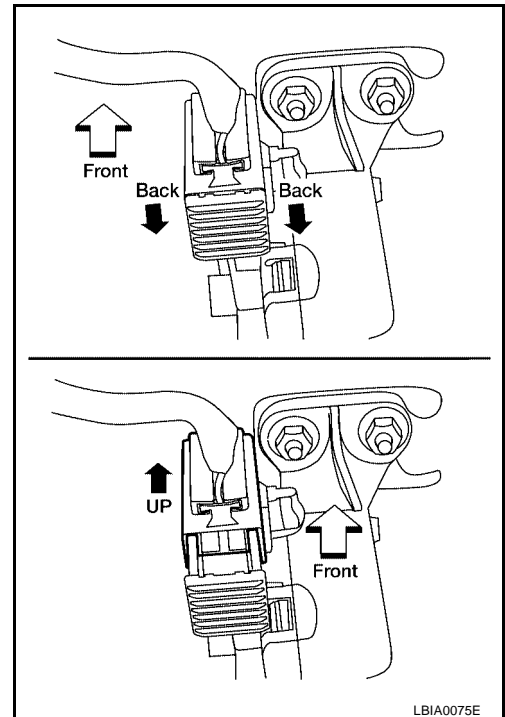
ACCELERATOR CONTROL SYSTEM

PFP:18005

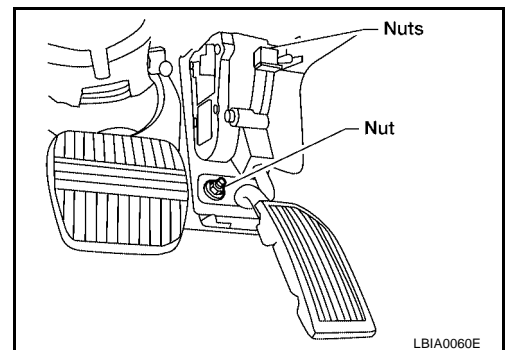
Removal and Installation

EBS00DTP

1. Disconnect the accelerator pedal position sensor electrical connector.
 - a. Pull the connector lock back to unlock the connector from the accelerator pedal position sensor.
 - b. Pull up on the connector to disconnect it from the accelerator pedal position sensor.



2. Remove the upper and lower pedal assembly nuts.



3. Remove the pedal assembly.
 - For electrical inspection of the accelerator pedal position sensor. Refer to [EC-501, "DTC P2122, P2123 APP SENSOR"](#) (QG18DE ULEV), [EC-1113, "DTC P2122, P2123 APP SENSOR"](#) (QG18DE SULEV) or [EC-1735, "DTC P2122, P2123 APP SENSOR"](#) (QR25DE).

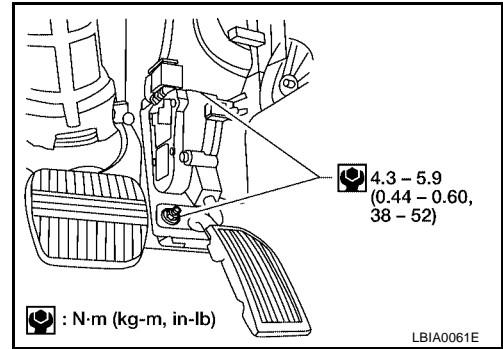
CAUTION:

- Do not disassemble the pedal assembly. Do not remove the accelerator pedal position sensor from the pedal assembly.
- Avoid impact from dropping during handling.
- Keep the pedal assembly away from water.

ACCELERATOR CONTROL SYSTEM

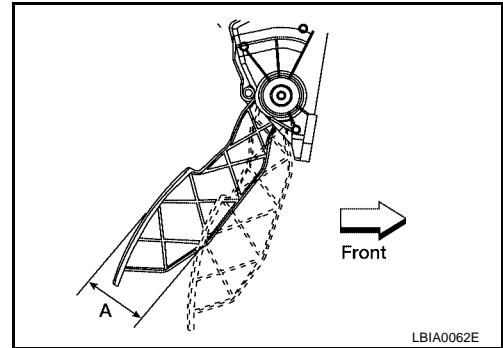
4. Installation is in the reverse order of removal.

- Check the accelerator pedal for smooth operation. There should be no binding or sticking when applying or releasing the accelerator pedal.



- Check that the accelerator pedal moves through the full specified distance of pedal travel.

Pedal Travel "A" : 52.6 - 58.2 mm (2.07 - 2.29 in)



CAUTION:

When the harness connector of the accelerator pedal position sensor is disconnected, perform the "Accelerator Pedal Released Position Learning". Refer to [EC-1239, "Accelerator Pedal Released Position Learning"](#).

A

ACC

C

D

E

F

G

H

I

J

K

L

M

SERVICE DATA AND SPECIFICATIONS (SDS)

SERVICE DATA AND SPECIFICATIONS (SDS)

PFP:00030

Accelerator Control PEDAL TRAVEL

EBS00EWA

Accelerator control pedal - total travel	52.6 - 58.2 mm (2.07 - 2.29 in)
--	---------------------------------
