

A
B
C

SECTION SC

STARTING & CHARGING SYSTEM

CONTENTS

<p>PRECAUTIONS 2</p> <p style="padding-left: 20px;">Precautions for Supplemental Restraint System (SRS) "AIR BAG" and "SEAT BELT PRE-TENSIONER" 2</p> <p style="padding-left: 20px;">Wiring Diagrams and Trouble Diagnosis 2</p> <p>PREPARATION 3</p> <p style="padding-left: 20px;">Special Service Tool 3</p> <p>BATTERY 4</p> <p style="padding-left: 20px;">How to Handle Battery 4</p> <p style="padding-left: 40px;">METHODS OF PREVENTING OVER-DISCHARGE 4</p> <p style="padding-left: 40px;">CHECKING ELECTROLYTE LEVEL 4</p> <p style="padding-left: 40px;">SPECIFIC GRAVITY CHECK 5</p> <p style="padding-left: 40px;">CHARGING THE BATTERY 6</p> <p style="padding-left: 20px;">Trouble Diagnoses with Battery/Starting/Charging</p> <p style="padding-left: 40px;">System Tester 6</p> <p style="padding-left: 40px;">DIAGNOSTIC RESULT ITEM CHART 8</p> <p>STARTING SYSTEM 9</p> <p style="padding-left: 20px;">System Description 9</p> <p style="padding-left: 40px;">M/T MODEL 9</p> <p style="padding-left: 40px;">A/T MODEL 9</p> <p style="padding-left: 20px;">Wiring Diagram — START — 10</p> <p style="padding-left: 40px;">M/T MODEL 10</p> <p style="padding-left: 40px;">A/T MODEL 11</p> <p style="padding-left: 20px;">Trouble Diagnoses with Battery/Starting/Charging</p> <p style="padding-left: 40px;">System Tester 13</p> <p style="padding-left: 40px;">DIAGNOSTIC RESULT ITEM CHART 13</p> <p style="padding-left: 40px;">WORK FLOW 14</p> <p style="padding-left: 40px;">DIAGNOSTIC PROCEDURE 1 15</p>	<p style="padding-left: 20px;">DIAGNOSTIC PROCEDURE 2 17</p> <p style="padding-left: 20px;">MINIMUM SPECIFICATION OF CRANKING VOLTAGE REFERENCING COOLANT TEMPERATURE 18</p> <p style="padding-left: 20px;">Construction 18</p> <p style="padding-left: 20px;">Removal and Installation 20</p> <p style="padding-left: 40px;">QG18DE 20</p> <p style="padding-left: 40px;">QR25DE 21</p> <p style="padding-left: 20px;">Pinion/Clutch Check 21</p> <p>CHARGING SYSTEM 22</p> <p style="padding-left: 20px;">System Description 22</p> <p style="padding-left: 20px;">Wiring Diagram — CHARGE — 23</p> <p style="padding-left: 20px;">Trouble Diagnoses with Battery/Starting/Charging</p> <p style="padding-left: 40px;">System Tester 24</p> <p style="padding-left: 40px;">DIAGNOSTIC RESULT ITEM CHART 25</p> <p style="padding-left: 40px;">WORK FLOW 26</p> <p style="padding-left: 40px;">DIAGNOSTIC PROCEDURE 1 27</p> <p style="padding-left: 40px;">DIAGNOSTIC PROCEDURE 2 28</p> <p style="padding-left: 40px;">DIAGNOSTIC PROCEDURE 3 29</p> <p style="padding-left: 40px;">MALFUNCTION INDICATOR 30</p> <p style="padding-left: 20px;">Construction 30</p> <p style="padding-left: 20px;">Removal and Installation 31</p> <p style="padding-left: 40px;">QG18DE 31</p> <p style="padding-left: 40px;">QR25DE 32</p> <p>SERVICE DATA AND SPECIFICATIONS (SDS) 33</p> <p style="padding-left: 20px;">Battery 33</p> <p style="padding-left: 20px;">Starter 33</p> <p style="padding-left: 20px;">Generator 33</p>	<p>D E F G H I J K L M</p>
--	---	--

SC

PRECAUTIONS

PRECAUTIONS

PFP:00001

Precautions for Supplemental Restraint System (SRS) “AIR BAG” and “SEAT BELT PRE-TENSIONER”

EKS0037L

The Supplemental Restraint System such as “AIR BAG” and “SEAT BELT PRE-TENSIONER”, used along with a front seat belt, helps to reduce the risk or severity of injury to the driver and front passenger for certain types of collision. Information necessary to service the system safely is included in the SRS and SB section of this Service Manual.

WARNING:

- To avoid rendering the SRS inoperative, which could increase the risk of personal injury or death in the event of a collision which would result in air bag inflation, all maintenance must be performed by an authorized NISSAN/INFINITI dealer.
- Improper maintenance, including incorrect removal and installation of the SRS, can lead to personal injury caused by unintentional activation of the system. For removal of Spiral Cable and Air Bag Module, see the SRS section.
- Do not use electrical test equipment on any circuit related to the SRS unless instructed to in this Service Manual. SRS wiring harnesses can be identified by yellow and/or orange harnesses or harness connectors.

Wiring Diagrams and Trouble Diagnosis

EKS0037M

When you read wiring diagrams, refer to the following:

- [GI-13, "How to Read Wiring Diagrams"](#)
- [PG-2, "POWER SUPPLY ROUTING"](#) for power distribution circuit.

When you perform trouble diagnosis, refer to the following:

- [GI-10, "HOW TO FOLLOW TEST GROUPS IN TROUBLE DIAGNOSES"](#).
- [GI-26, "How to Perform Efficient Diagnosis for an Electrical Incident"](#)


PREPARATION

PREPARATION

PF0:00002

Special Service Tool

EKS0037N

Tool number Tool name	Description
J-44373 Model 620 Battery/Starting/Charging system tester	 <p>SEL403X</p>

A

B

C

D

E

F

G

H

I

J

SC

L

M

BATTERY

PFP:AYBGL

BATTERY

How to Handle Battery

EKS00370

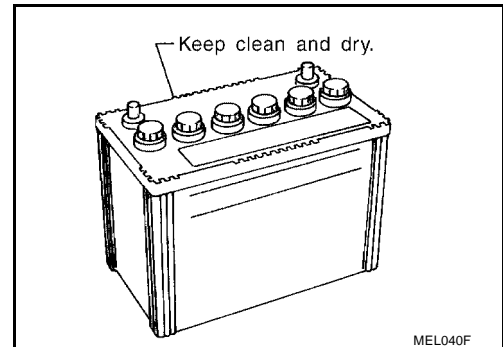
CAUTION:

- If it becomes necessary to start the engine with a booster battery and jumper cables, use a 12-volt booster battery.
- After connecting battery cables, ensure that they are tightly clamped to battery terminals for good contact.
- Never add distilled water through the hole used to check specific gravity.

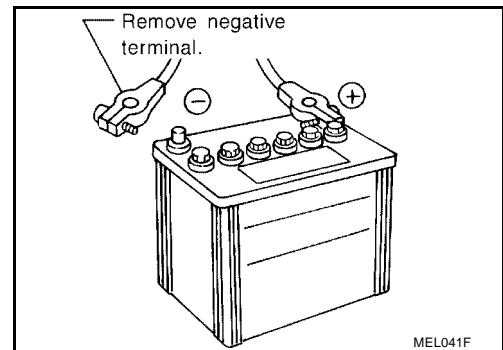
METHODS OF PREVENTING OVER-DISCHARGE

The following precautions must be taken to prevent over-discharging a battery.

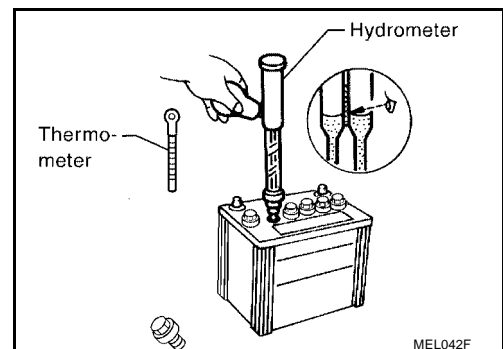
- The battery surface (particularly its top) should always be kept clean and dry.
- The terminal connections should be clean and tight.
- At every routine maintenance, check the electrolyte level. This also applies to batteries designated as "low maintenance" and "maintenance-free".



- When the vehicle is not going to be used over a long period of time, disconnect the negative battery terminal.



- Check the charge condition of the battery. Periodically check the specific gravity of the electrolyte. Keep a close check on charge condition to prevent over-discharge.



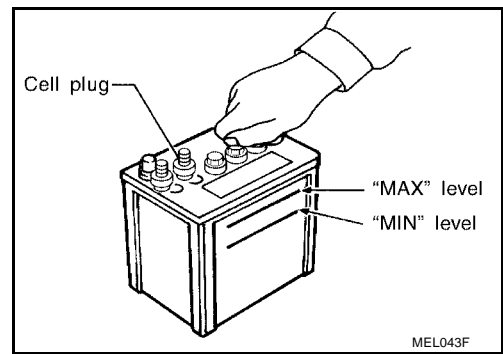
CHECKING ELECTROLYTE LEVEL

WARNING:

Do not allow battery fluid to come in contact with skin, eyes, fabrics, or painted surfaces. After touching a battery, do not touch or rub your eyes until you have thoroughly washed your hands. If acid contacts eyes, skin or clothing, immediately flush with water for 15 minutes and seek medical attention.

BATTERY

- Remove the cell plug using a suitable tool.
- Add distilled water up to the MAX level.

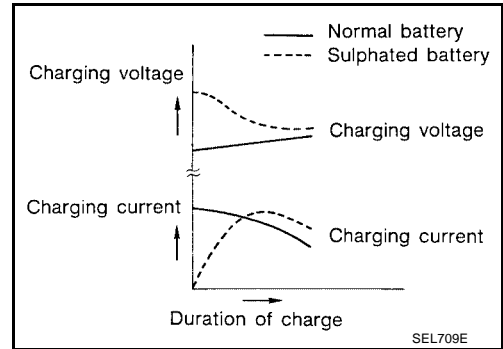


Sulphation

A battery will be completely discharged if it is left unattended for a long time and the specific gravity will become less than 1.100. This may result in sulphation on the cell plates.

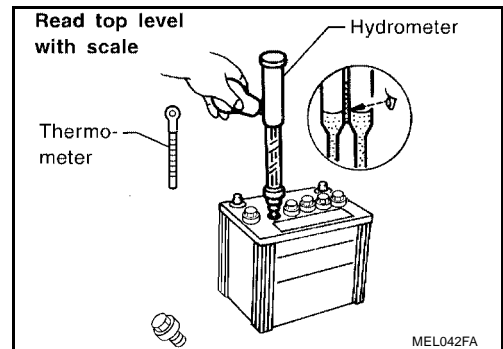
To determine if a battery has been “sulphated”, note its voltage and current when charging it. As shown in the figure, less current and higher voltage are observed in the initial stage of charging sulphated batteries.

A sulphated battery may sometimes be brought back into service by means of a long, slow charge, 12 hours or more, followed by a battery capacity test.



SPECIFIC GRAVITY CHECK

1. Read hydrometer and thermometer indications at eye level.
2. Use the following chart to correct your hydrometer reading according to electrolyte temperature.



Hydrometer Temperature Correction

Battery electrolyte temperature °C (°F)	Add to specific gravity reading
71 (160)	0.032
66 (150)	0.028
60 (140)	0.024
54 (130)	0.020
49 (120)	0.016
43 (110)	0.012
38 (100)	0.008
32 (90)	0.004
27 (80)	0
21 (70)	-0.004
16 (60)	-0.008
10 (50)	-0.012
4 (40)	-0.016
-1 (30)	-0.020
-7 (20)	-0.024

A
B
C
D
E
F
G
H
I
J
SC
L
M

BATTERY

Battery electrolyte temperature °C (°F)	Add to specific gravity reading
-12 (10)	-0.028
-18 (0)	-0.032

Corrected specific gravity	Approximate charge condition
1.260 - 1.280	Fully charged
1.230 - 1.250	3/4 charged
1.200 - 1.220	1/2 charged
1.170 - 1.190	1/4 charged
1.140 - 1.160	Almost discharged
1.110 - 1.130	Completely discharged

CHARGING THE BATTERY

CAUTION:

- Do not “quick charge” a fully discharged battery.
- Keep the battery away from open flame while it is being charged.
- When connecting the charger, connect the leads first, then turn on the charger. Do not turn on the charger first, as this may cause a spark.
- If battery electrolyte temperature rises above 60°C (140°F), stop charging. Always charge battery at a temperature below 60°C (140°F).

Charging Rates

Amps	Time
50	1 hour
25	2 hours
10	5 hours
5	10 hours

Do not charge at more than 50 ampere rate.

NOTE:

The ammeter reading on your battery charger will automatically decrease as the battery charges. This indicates that the voltage of the battery is increasing normally as the state of charge improves. The charging amps indicated above refer to initial charge rate.

- If, after charging, the specific gravity of any two cells varies more than .050, the battery should be replaced.

Trouble Diagnoses with Battery/Starting/Charging System Tester

EKS0037P

CAUTION:

When working with batteries, always wear appropriate eye protection.

NOTE:

- To ensure a complete and thorough diagnosis, the battery, starter and generator test segments must be done as a set from start to finish.
- If battery surface charge is detected while testing, the tester will prompt you to turn on the headlights to remove the surface charge.
- If necessary, the tester will prompt you to determine if the battery temperature is above or below 0°C (32°F). Choose the appropriate selection by pressing the up or down arrow button, then press “ENTER” to make the selection.

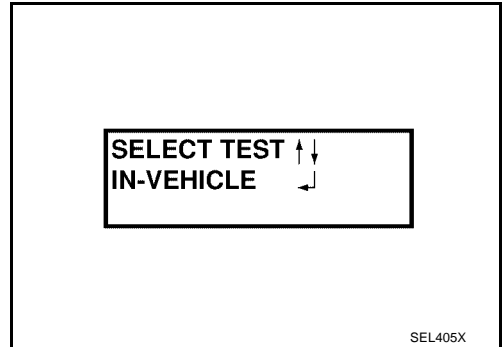
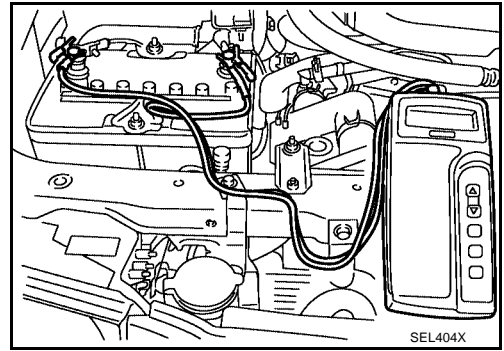
BATTERY

1. Turn off all loads on the vehicle electrical system. Clean or repair as necessary.
2. Visually inspect the battery, battery terminals and cable ends with ignition switch in "OFF" position.

NOTE:

The contact surface between the battery terminals, cable ends and tester leads must be clean for a valid test. A poor connection will prevent testing and a "CHECK CONNECTION" message will appear during the test procedures. If this occurs, clean the battery post and terminals, reconnect them and restart the test.

3. Connect the red tester lead clamp to the positive battery terminal, and the black to the negative terminal.
4. The tester will turn on automatically. Using the arrow keys, select "IN-VEHICLE" on the tester and then press the "ENTER" key.



5. Locate the battery type and rating stamped or written on the top case of the battery to be tested.

NOTE:

The battery type and rating will have either of the following.

CCA: Cold Cranking Amps (490 CCA, 550 CCA, etc.)

JIS: Japanese Industrial Standard.

Battery is stamped with a number such as:

80D26L: 80 (rank of output), D (physical size-depth), 26 (width in cm). The last character L (post configuration) is not input into the tester.

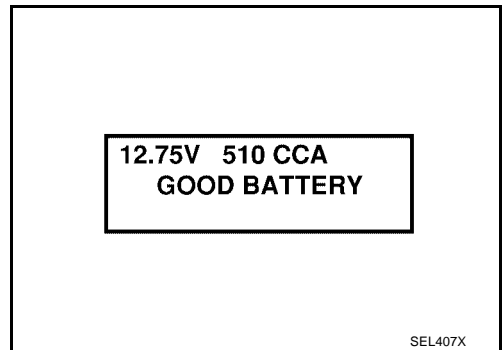
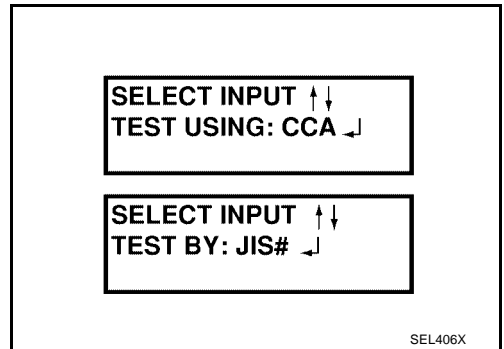
The tester requires the rating for the battery be entered exactly as it is written or stamped on the battery. Do not attempt a CCA conversion for JIS stamped batteries. JIS must be input directly.

6. Using the arrow and "ENTER" keys alternately, select the battery type and rating.

NOTE:

The tester lists five choices; CCA, JIS, IEC, DIN, and EN. Only use CCA or JIS.

7. Press "ENTER" to begin the test. Diagnosis results are displayed on the tester. Refer to [SC-8. "DIAGNOSTIC RESULT ITEM CHART"](#).



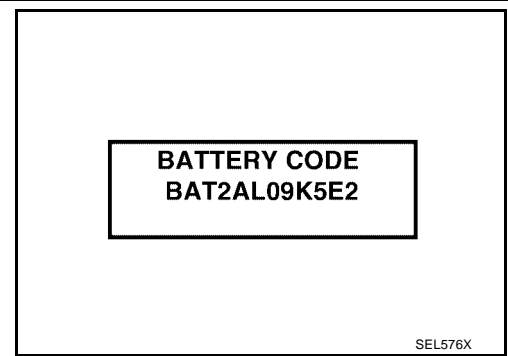
A
B
C
D
E
F
G
H
I
J
SC
L
M

BATTERY

8. Press "ENTER", then test output code is displayed. Record the test output code on the repair order.
9. Toggle back to the "DIAGNOSTIC SCREEN" for test results.

NOTE:

- If necessary, the tester will ask the user to determine if the battery has just been charged. Choose the appropriate selection by pressing the up or down arrow button and then press the "ENTER" button to make the selection.
- When testing a battery installed in a vehicle that has recently been driven, select "BEFORE CHARGE".
- If the battery has just been slow charged due to a "CHARGE & RETEST" decision by the tester, and the tester asks the user "BEFORE CHARGE/AFTER CHARGE", select "AFTER CHARGE".



DIAGNOSTIC RESULT ITEM CHART

Diagnostic item	Service procedure
GOOD BATTERY	Battery is OK. Refer to SC-6. "Trouble Diagnoses with Battery/Starting/Charging System Tester" .
REPLACE BATTERY	Replace battery. Before replacing battery, clean the battery cable clamps and battery posts. Perform battery test again with Battery/Starting/Charging system tester. If second test result is "Replace Battery", then do so. Perform battery test again to confirm repair.
BAD CELL-REPLACE	Replace the battery. Perform battery test again with Battery/Starting/Charging system tester to confirm repair.
GOOD-RECHARGE	Perform the slow battery charging procedure. (Initial rate of charge is 10A for 12 hours.) Perform battery test again with Battery/Starting/Charging system tester.
CHARGE & RETEST	Perform the slow battery charging. (Initial rate of charge is 10A for 12 hours.) Perform battery test again with Battery/Starting/Charging system tester to confirm repair. NOTE: If the tester asks the user "BEFORE CHARGE/AFTER CHARGE", select "AFTER CHARGE".

STARTING SYSTEM

PF2:23300

STARTING SYSTEM

System Description M/T MODEL

EKS0037Q

Power is supplied at all times:

- through 40A fusible link (letter **c** , located in the fuse and fusible link box)
- to ignition switch terminal B.

With the ignition switch in the START position, power is supplied:

- from ignition switch terminal St
- to clutch interlock relay terminal 5.

With the ignition switch in the ON or START position, power is supplied:

- through 10A fuse [No. 20, located in the fuse block (J/B)]
- to clutch interlock relay terminal 1.

When the clutch pedal is depressed, ground is supplied to clutch interlock relay terminal 2 through the clutch interlock switch and body grounds E7 and E37.

The clutch interlock relay is energized and power is supplied:

- from terminal 3 of the clutch interlock relay
- to terminal S of the starter motor windings.

The starter motor plunger closes and provides a closed circuit between the battery and the starter motor. The starter motor is grounded to the cylinder block. With power and ground supplied, the starter motor operates.

A/T MODEL

Power is supplied at all times:

- through 40A fusible link (letter **c** , located in the fuse and fusible link box)
- to ignition switch terminal B.

With the ignition switch in the START position, power is supplied:

- from ignition switch terminal St
- to park/neutral position relay terminal 5

With the ignition switch in the ON or START position, power is supplied:

- through 10A fuse [No. 20, located in the fuse block (J/B)]
- to park/neutral position relay terminal 1.

With the selector lever in the P or N position, ground is supplied:

- to park/neutral position relay terminal 2
- through park/neutral position switch.

The park/neutral position relay is energized and power is supplied:

- from ignition switch terminal St
- through park/neutral position relay terminals 5 and 3
- to terminal S of the starter motor windings.

The starter motor plunger closes and provides a closed circuit between the battery and the starter motor. The starter motor is grounded to the cylinder block. With power and ground supplied, the starter motor operates.

A

B

C

D

E

F

G

H

I

J

SC

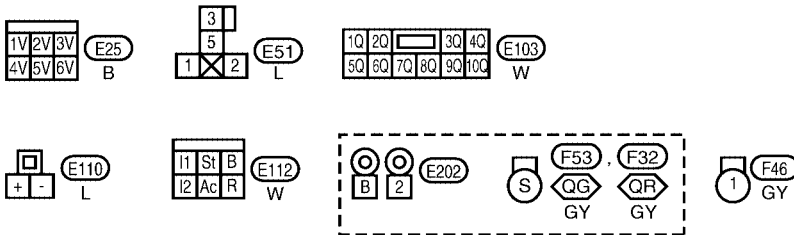
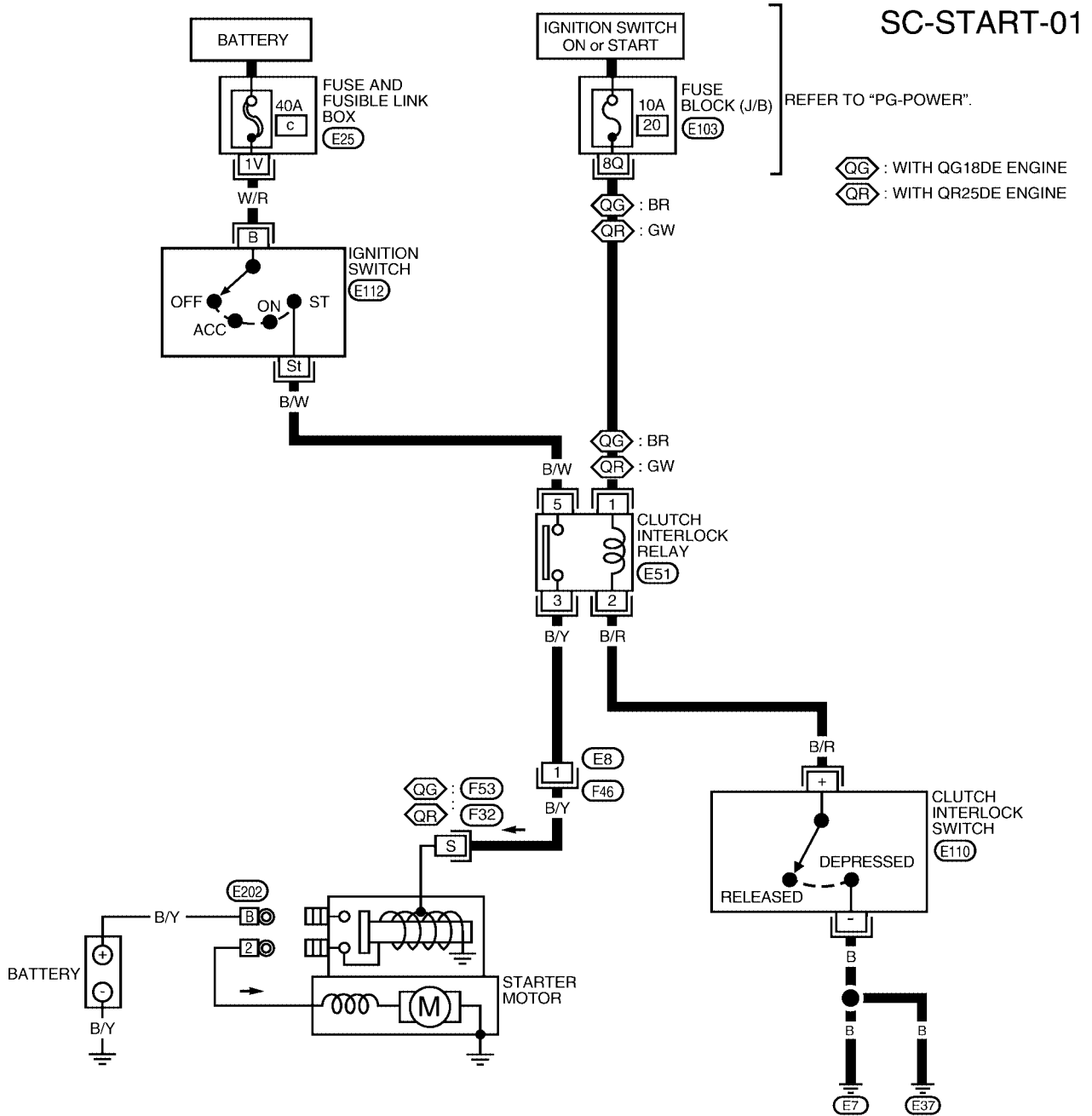
L

M

STARTING SYSTEM

Wiring Diagram — START — M/T MODEL

EKS0037R

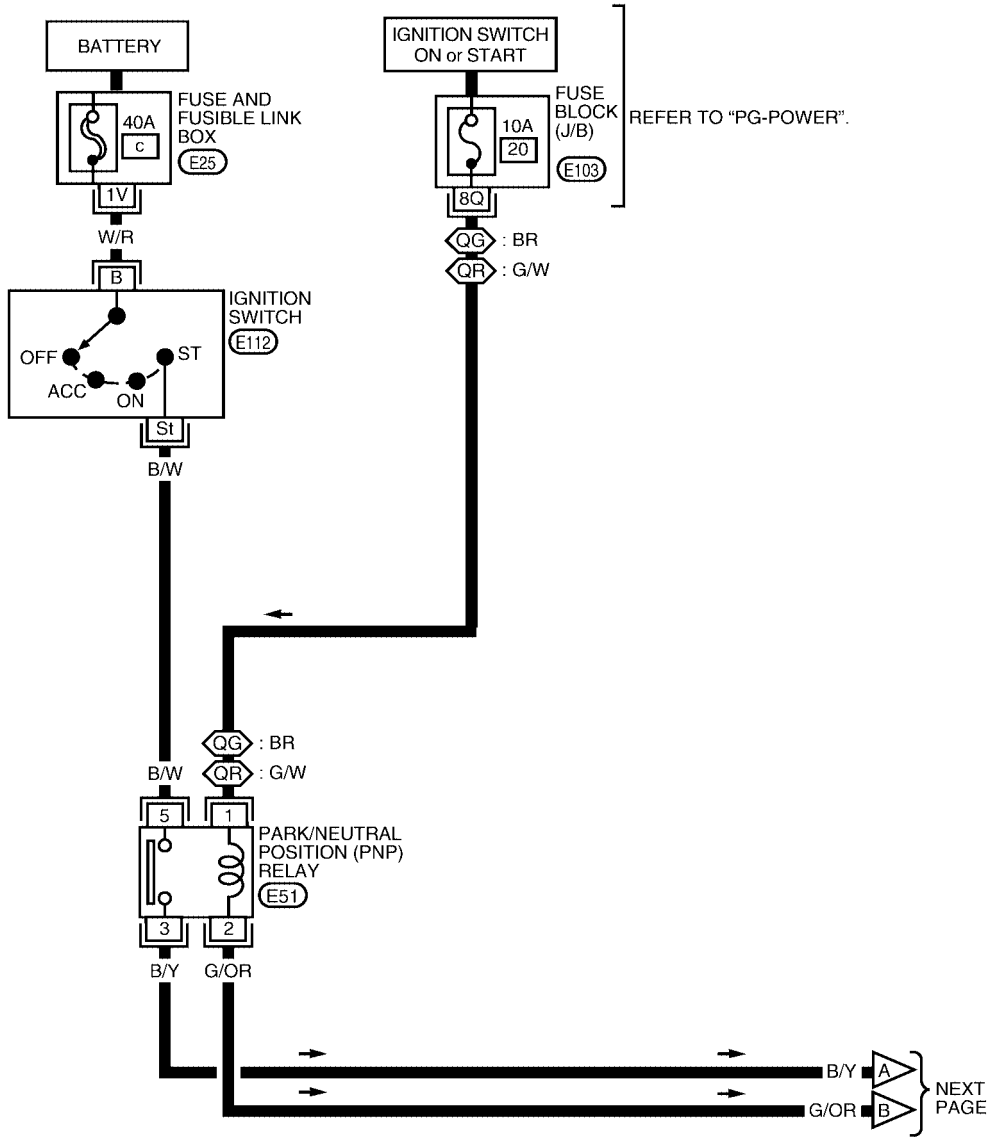


WKWA0159E

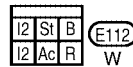
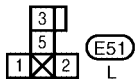
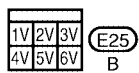
STARTING SYSTEM

A/T MODEL

SC-START-02

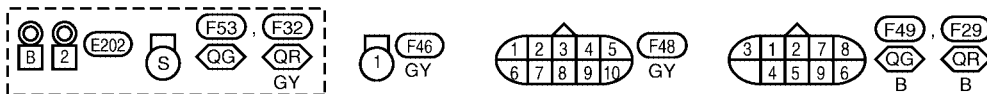
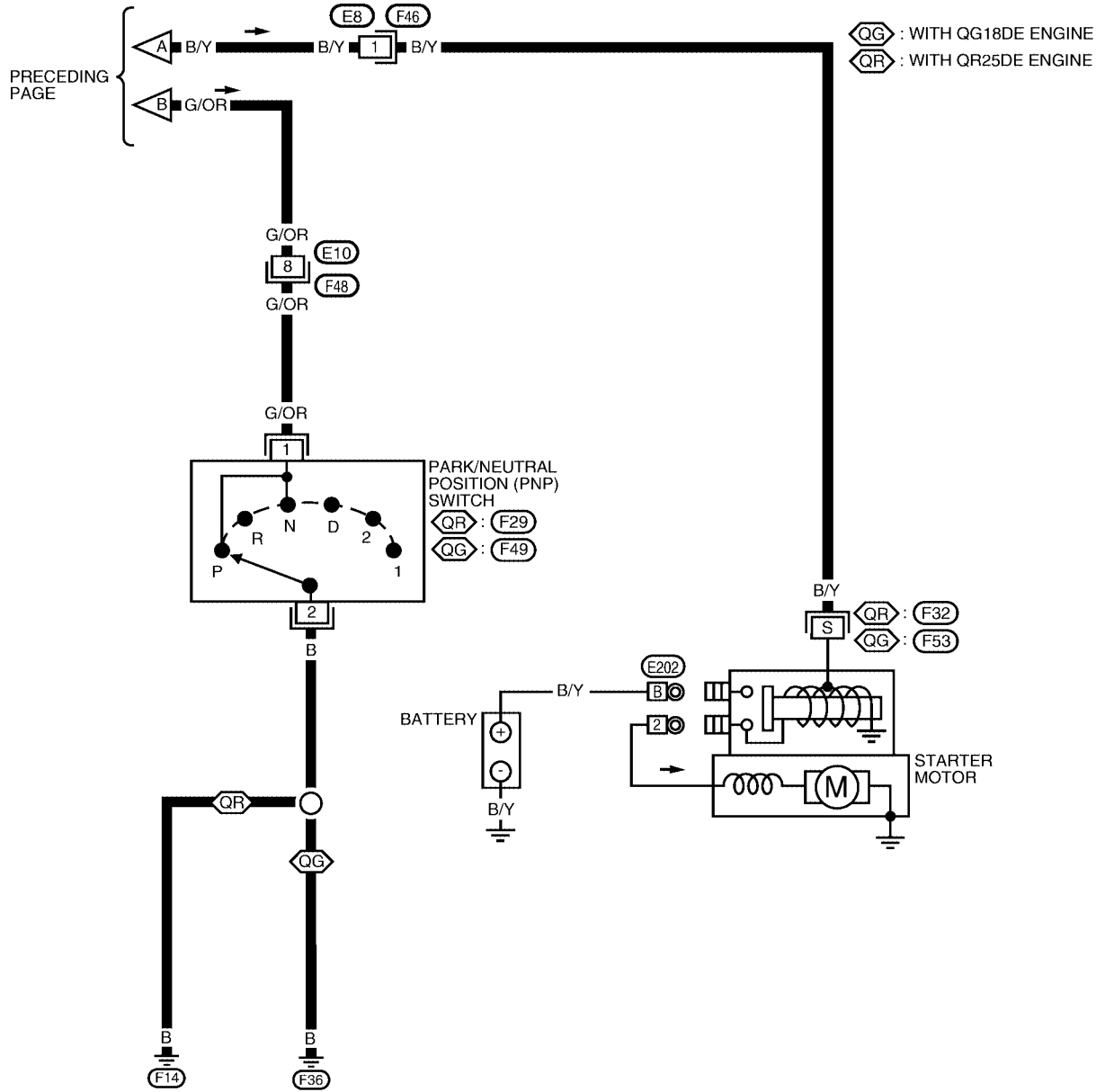


A
B
C
D
E
F
G
H
I
J
SC
L
M



STARTING SYSTEM

SC-START-03



WKWA0161E

STARTING SYSTEM

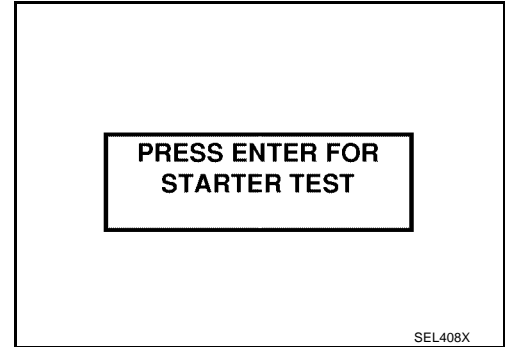
Trouble Diagnoses with Battery/Starting/Charging System Tester

EKS0037S

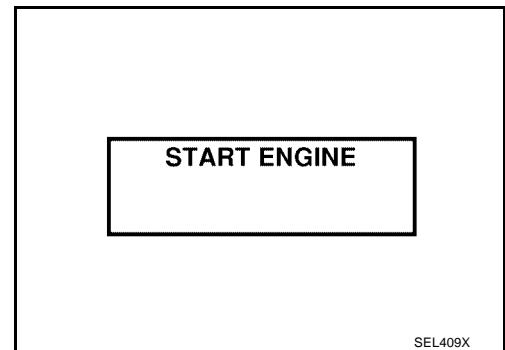
NOTE:

To ensure a complete and thorough diagnosis, the battery, starter and generator test segments must be done as a set from start to finish.

1. Turn off all loads on the vehicle electrical system.
2. Perform battery test with Battery/Starting/Charging system tester. Refer to [SC-13, "Trouble Diagnoses with Battery/Starting/Charging System Tester"](#) .
3. Press "ENTER" to begin the starting system test.



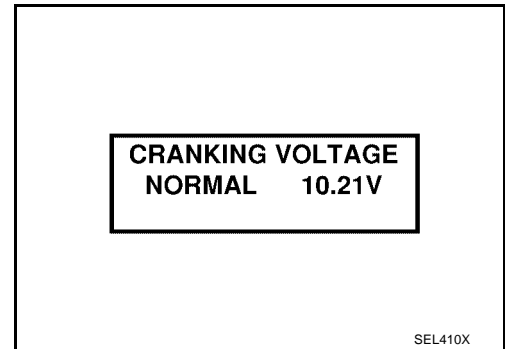
4. Start the engine.



5. Diagnosis result is displayed on the tester. Refer to [SC-13, "DIAGNOSTIC RESULT ITEM CHART"](#) .

NOTE:

- If the starter performs normally but the engine does not start, perform engine diagnosis.
- For intermittent "NO CRANK" or "NO STARTER OPERATION" incidents, refer to [SC-17, "DIAGNOSTIC PROCEDURE 2"](#) .

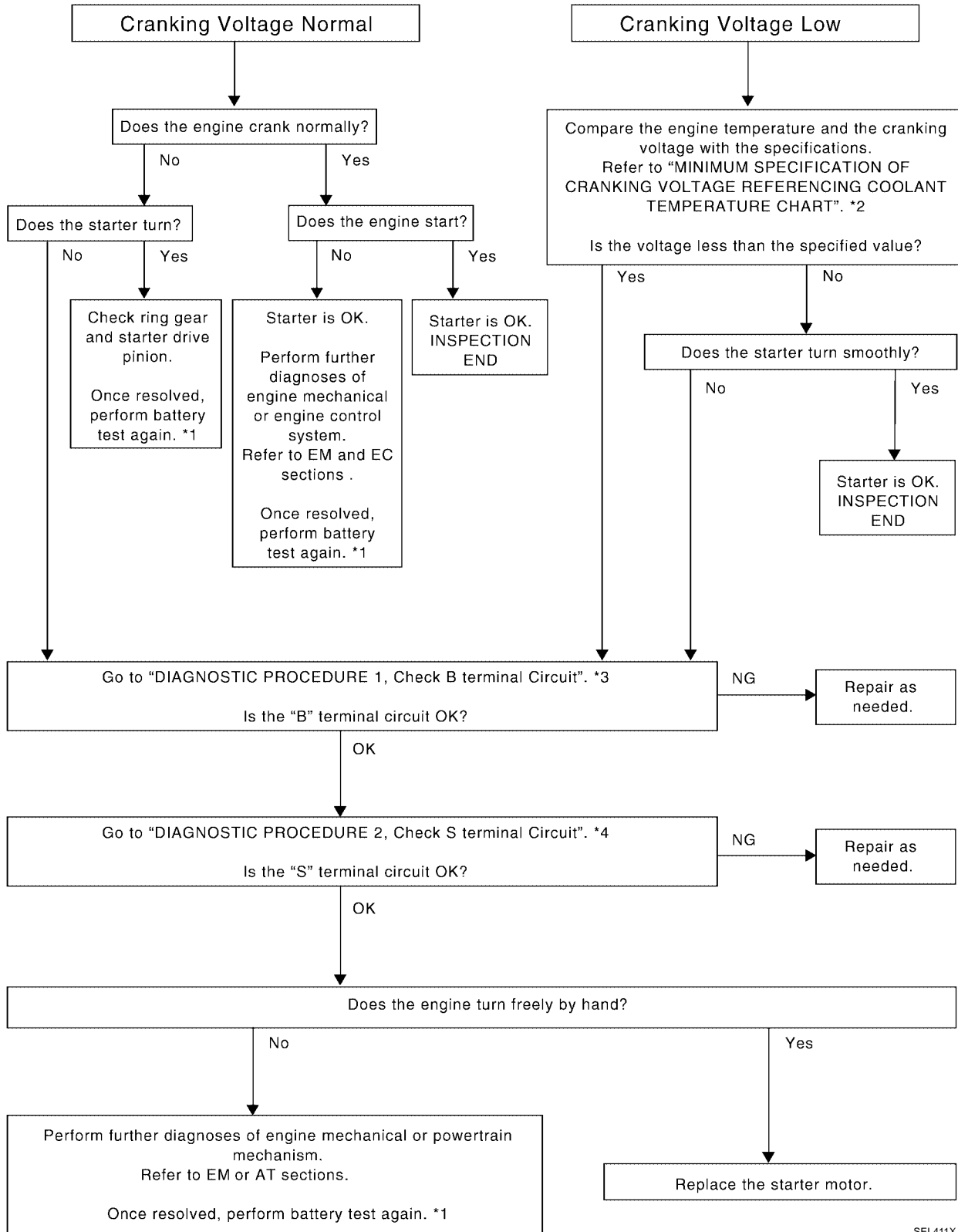


DIAGNOSTIC RESULT ITEM CHART

Diagnostic item	Service procedure
CRANKING VOLTAGE NORMAL	Go to "WORK FLOW", SC-14, "WORK FLOW" .
CRANKING VOLTAGE LOW	Go to "WORK FLOW", SC-14, "WORK FLOW" .
CHARGE BATTERY	Perform the slow battery charging procedure. (Initial rate of charge is 10A for 12 hours.) Perform battery test again with Battery/Starting/Charging system tester. Refer to SC-13, "Trouble Diagnoses with Battery/Starting/Charging System Tester" .
REPLACE BATTERY	Before replacing battery, clean the battery cable clamps and battery posts. Perform battery test again with Battery/Starting/Charging system tester. Refer to SC-13, "Trouble Diagnoses with Battery/Starting/Charging System Tester" . If second test result is "REPLACE BATTERY", then do so. Perform battery test again to confirm repair.

STARTING SYSTEM

WORK FLOW



SEL411X

*1 SC-6

*2 SC-18

*3 SC-15

*4 SC-17

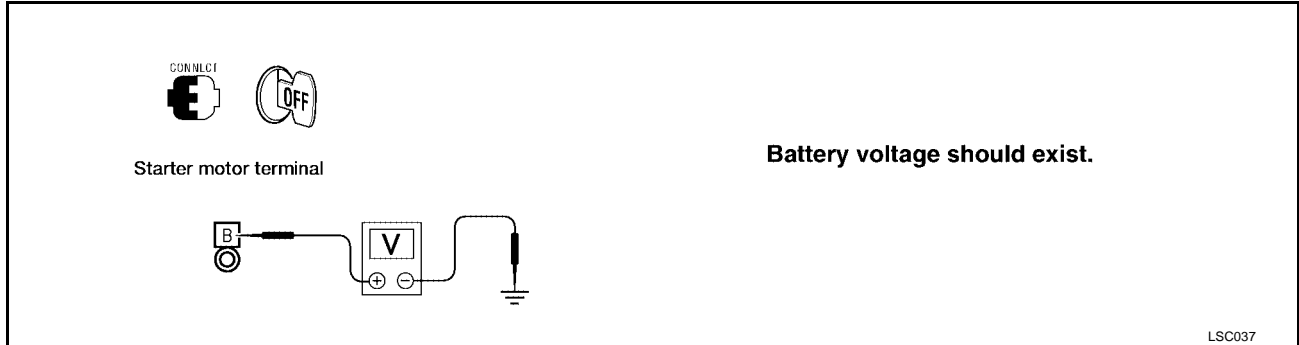
STARTING SYSTEM

DIAGNOSTIC PROCEDURE 1

Check "B" Terminal Circuit

1. CHECK POWER SUPPLY FOR STARTER MOTOR "B" TERMINAL

1. Remove the fuel pump fuse.
2. Crank or start the engine (where possible) until the fuel pressure is released.
3. Turn the ignition switch OFF.
4. Check that the starter motor connector E202 terminal B (B/Y) connection is clean and tight.
5. Check voltage between starter motor connector E202 terminal B (B/Y) and ground using a digital circuit tester.



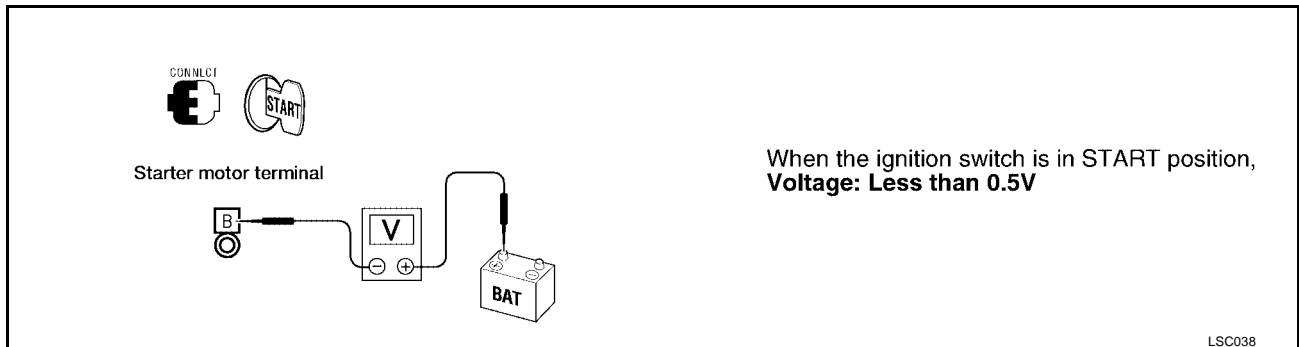
OK or NG

OK >> GO TO 2.

NG >> Check harness between the battery and the starter motor for open circuit.

2. CHECK BATTERY CABLE CONNECTION QUALITY (VOLTAGE DROP TEST)

1. Check voltage between starter motor connector E202 terminal B (B/Y) and battery positive terminal using a digital circuit tester.



OK or NG

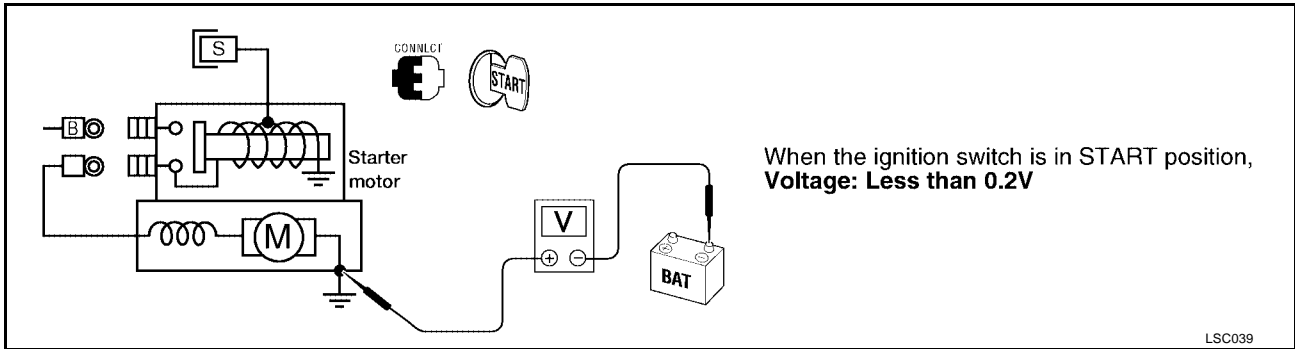
OK >> GO TO 3.

NG >> Check harness between the battery and the starter motor for poor continuity.

STARTING SYSTEM

3. CHECK STARTER MOTOR GROUND CIRCUIT (VOLTAGE DROP TEST)

1. Check voltage between starter motor case and battery negative terminal using a digital circuit tester.



OK or NG

- OK >> Starter motor "B" terminal circuit is OK. Further inspection is necessary. Refer to [SC-14, "WORK FLOW"](#).
- NG >> Check the starter motor case and ground for poor continuity.

STARTING SYSTEM

DIAGNOSTIC PROCEDURE 2

Check "S" Terminal Circuit

1. CHECK POWER SUPPLY FOR STARTER MOTOR "S" TERMINAL

1. Remove the fuel pump fuse.
2. Crank or start the engine (where possible) until the fuel pressure is released.
3. Turn the ignition switch OFF.
4. Disconnect starter motor connector F53 (QG18DE), F32 (QR25DE) terminal S (B/Y) connector.
5. Check voltage between starter motor connector F53 (QG18DE), F32 (QR25DE) terminal S (B/Y) and ground using a digital circuit tester.

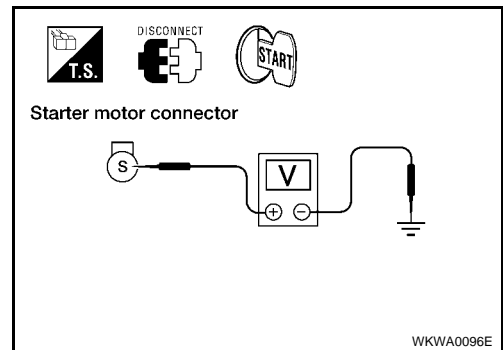
With the ignition switch ON : Battery voltage should exist

OK or NG

OK >> GO TO 2.

NG >> Check the following.

- 40A fusible link (letter **c** , located in fuse and fusible link box)
- Clutch interlock relay
- Park/neutral position relay
- Harness for open or short



2. CHECK "S" TERMINAL CONNECTION QUALITY (VOLTAGE DROP TEST)

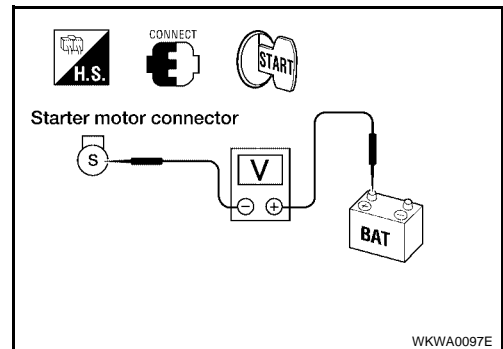
1. Connect starter motor connector F53 (QG18DE), F32 (QR25DE) terminal S (B/Y) connector.
2. Check voltage between starter motor connector F53 (QG18DE), F32 (QR25DE) terminal S (B/Y) and battery positive terminal using a digital tester.

With the ignition switch in START : Voltage less than 1V

OK or NG

OK >> Starter motor "S" terminal circuit is OK. Further inspection is necessary. Refer to [SC-14, "WORK FLOW"](#) .

NG >> Check harness between the battery and the starter motor "S" terminal for poor continuity.



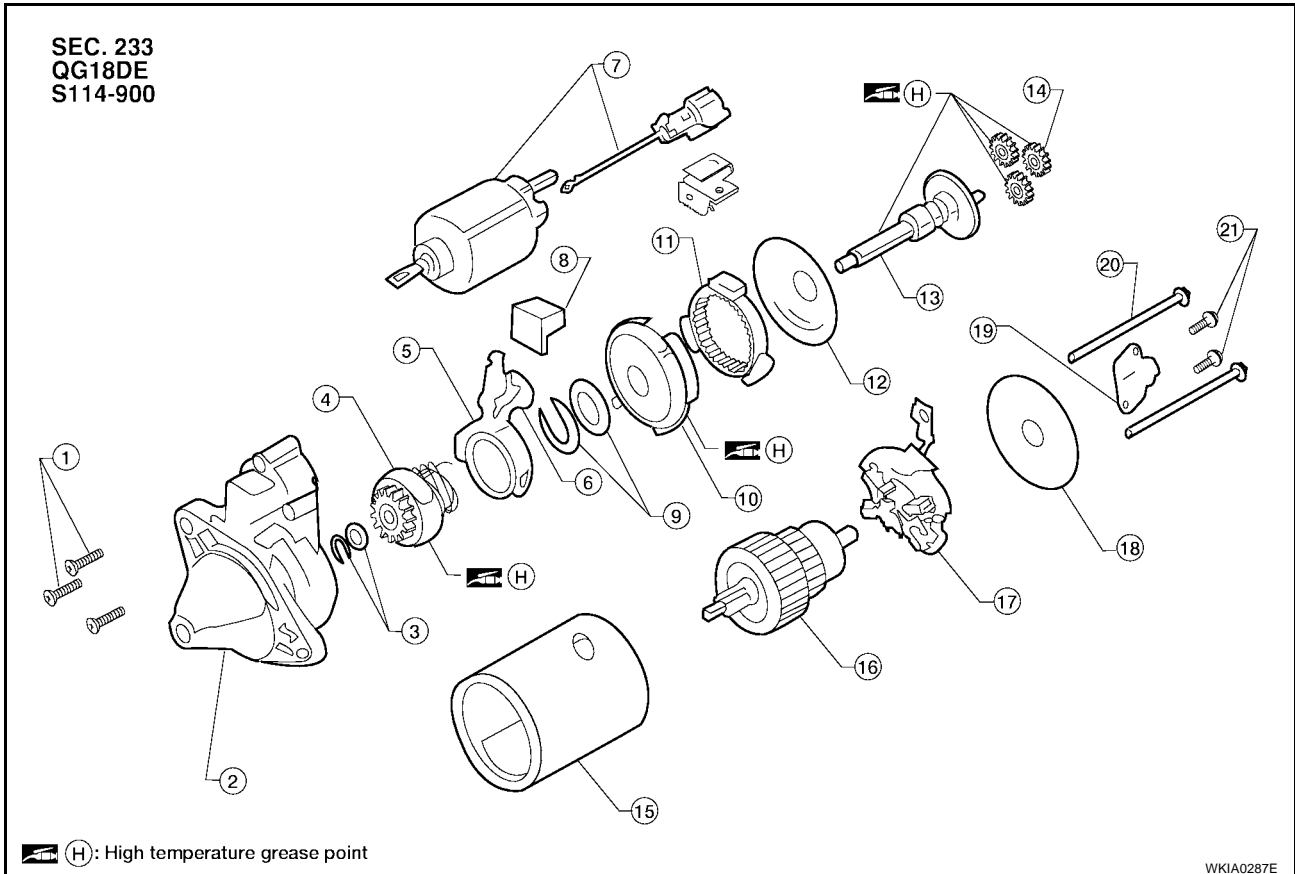
STARTING SYSTEM

MINIMUM SPECIFICATION OF CRANKING VOLTAGE REFERENCING COOLANT TEMPERATURE

Engine coolant temperature	Voltage V	
	QG18DE	QR25DE
-30°C to -20°C (-22°F to -4°F)	7.4	8.7
-19°C to -10°C (-2°F to 14°F)	8.2	9.2
-9°C to 0°C (16°F to 32°F)	9.3	9.6
More than 1°C (More than 34°F)	9.5	10.0

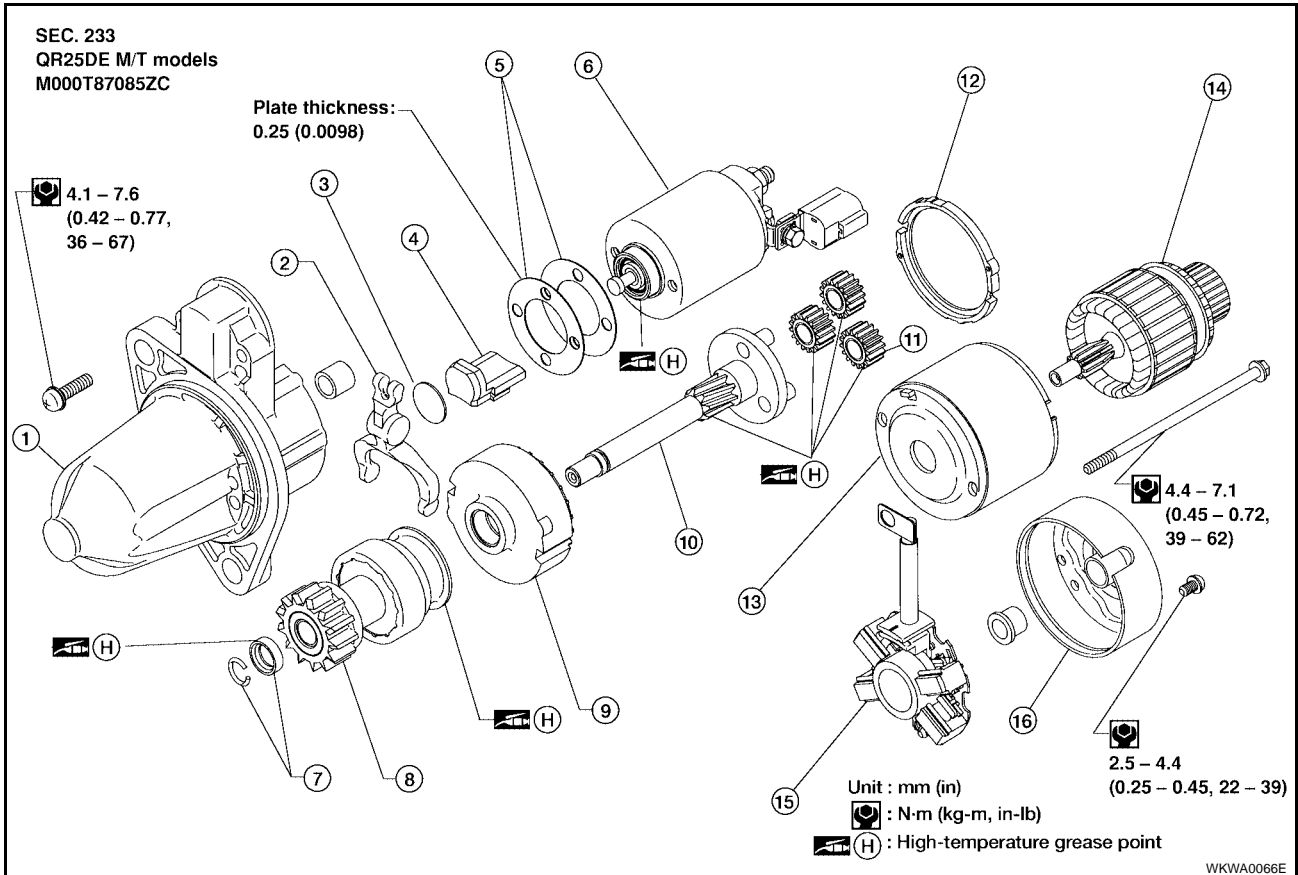
Construction

EKS0037T



- | | | |
|-----------------------------|---------------------------|---------------------------|
| 1. Solenoid through bolts | 2. Drive end shield | 3. Retainers |
| 4. Pinion assembly | 5. Fork lever | 6. Bearing pedestal |
| 7. Solenoid switch assembly | 8. Seal | 9. Locking washers |
| 10. Intermediate bearing | 11. Internal gear | 12. Cover disc |
| 13. Drive shaft | 14. Planetary gears | 15. Yoke assembly |
| 16. Armature assembly | 17. Brush holder | 18. Commutator end shield |
| 19. Closure cap | 20. Starter through bolts | 21. Closure cap screws |

STARTING SYSTEM

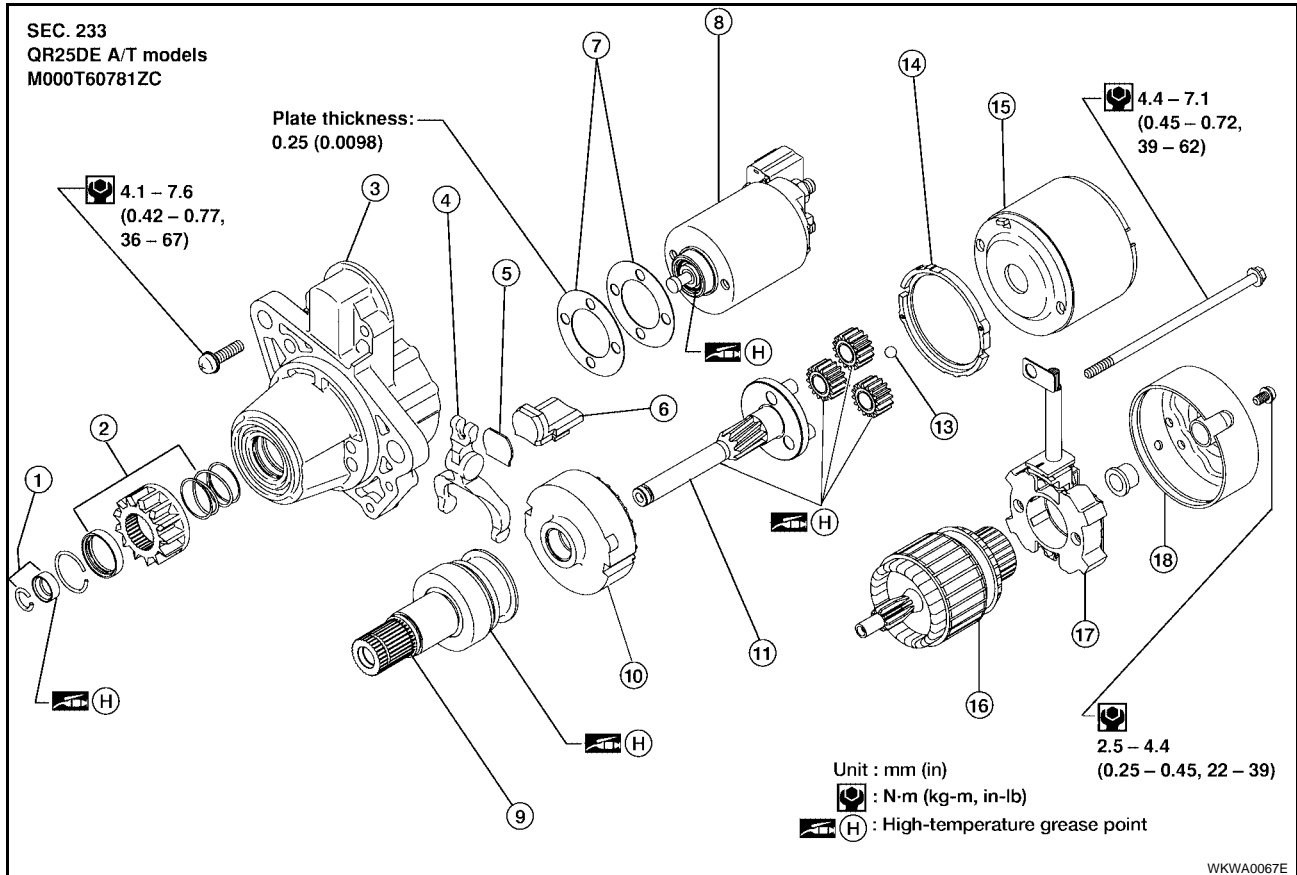


- | | | |
|-----------------------|--------------------|-----------------------------|
| 1. Gear case | 2. Shift lever | 3. Plate |
| 4. Packing | 5. Adjusting plate | 6. Magnetic switch assembly |
| 7. Pinion stopper set | 8. Pinion assembly | 9. Internal gear |
| 10. Pinion shaft | 11. Planetary gear | 12. Packing |
| 13. Yoke | 14. Armature | 15. Brush holder assembly |
| 16. Rear cover | | |

A
B
C
D
E
F
G
H
I
J
L
M

SC

STARTING SYSTEM



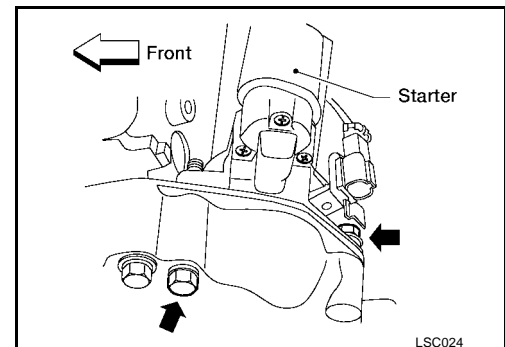
- | | | |
|-----------------------|-----------------------------|---------------------|
| 1. Pinion stopper set | 2. Pinion assembly | 3. Front bracket |
| 4. Shift lever | 5. Plate | 6. Packing |
| 7. Adjusting plate | 8. Magnetic switch assembly | 9. Clutch gear |
| 10. Internal gear | 11. Gear shaft | 12. Planetary gears |
| 13. Ball | 14. Center bracket | 15. Yoke assembly |
| 16. Armature | 17. Brush assembly | 18. Rear bracket |

Removal and Installation QG18DE

EKS0037U

Removal

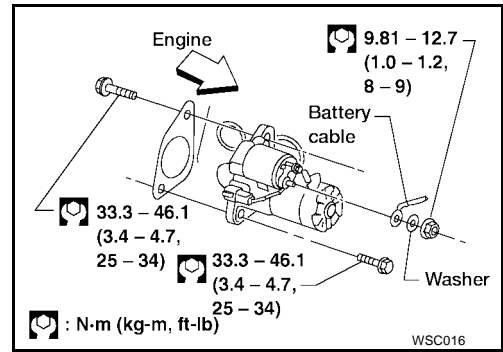
1. Disconnect the negative battery terminal.
2. Remove the upper starter mounting bolt.
3. Remove the harness protector from the starter engine room harness.
4. Disconnect the starter harness connectors.
5. Remove the lower starter mounting bolt.
6. Remove the starter.



STARTING SYSTEM

Installation

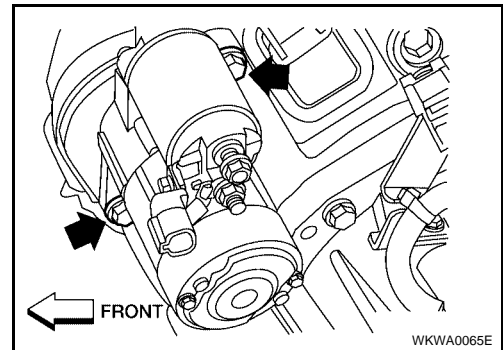
To install, reverse the removal procedure.



QR25DE

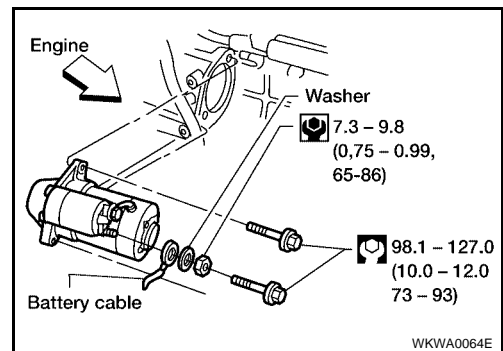
Removal

1. Disconnect the negative and positive battery cables.
2. Remove the engine undercover (M/T) or the air duct, fresh air intake hose, and air cleaner lid (A/T).
3. Disconnect the starter harness connectors.
4. Remove the two starter mounting bolts.
5. Remove the starter.



Installation

To install, reverse the removal procedure.



Pinion/Clutch Check

1. Inspect pinion assembly teeth.
 - Replace pinion assembly if teeth are worn or damaged. (Also check condition of ring gear teeth.)
2. Inspect planetary gears/planetary gear teeth.
 - Replace planetary gears if teeth are worn or damaged. (Also check condition of pinion shaft/drive shaft gear teeth.)
3. Check to see if pinion assembly locks in one direction and rotates smoothly in the opposite direction.
 - If it locks or rotates in both directions, or unusual resistance is evident, replace.

CHARGING SYSTEM

PF2:23100

System Description

EKS0037W

The generator provides DC voltage to operate the vehicle's electrical system and to keep the battery charged. The voltage output is controlled by the IC regulator.

Power is supplied at all times to generator terminal B through:

- 100A (QG18DE) or 120A (QR25DE) fusible link (letter **a** , located in the fuse and fusible link box).

Power is supplied at all times to generator terminal S through:

- 10A fuse (No. 33, located in the fuse and fusible link box).

Terminal B supplies power to charge the battery and operate the vehicle's electrical system. Output voltage is controlled by the IC regulator at terminal S detecting the input voltage. The charging circuit is protected by the 100A (QG18DE) or 120A (QR25DE) fusible link.

The generator is grounded to the engine block.

With the ignition switch in the ON or START position, power is supplied:

- through 10A fuse [No. 30, located in the fuse block (J/B)]
- to combination meter terminal 26 (without tachometer) or 41 (with tachometer) for the charge warning lamp.

Ground is supplied to terminal 13 (without tachometer) or 19 (with tachometer) of the combination meter through terminal L of the generator. With power and ground supplied, the charge warning lamp will illuminate.

When the generator is providing sufficient voltage with the engine running, the ground is opened and the charge warning lamp will go off.

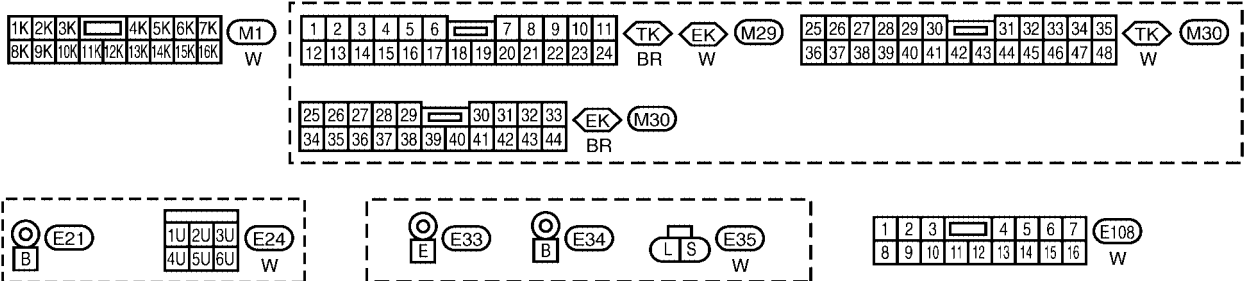
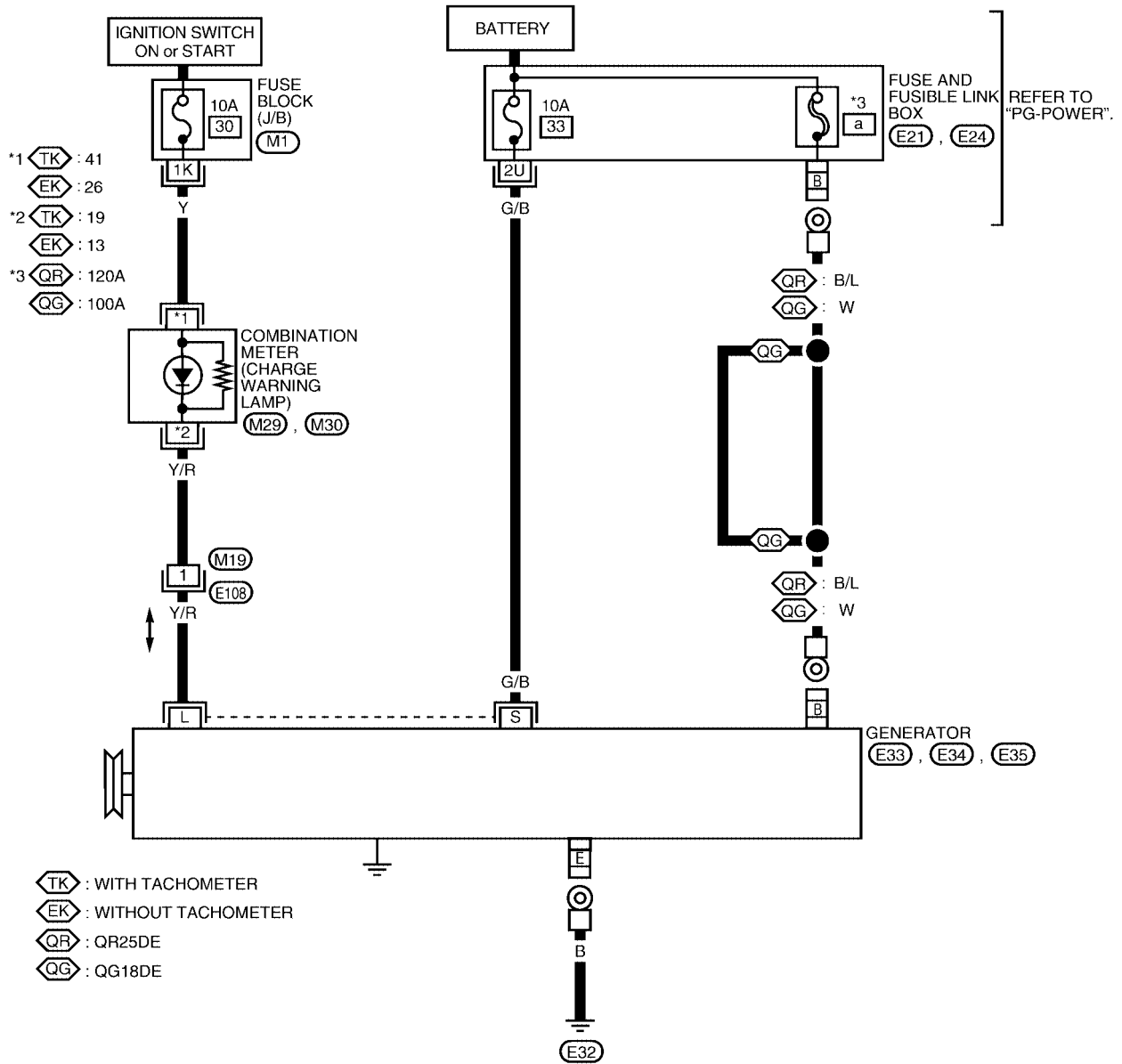
If the charge warning lamp illuminates with the engine running, a fault is indicated.

CHARGING SYSTEM

Wiring Diagram — CHARGE —

EKS0037X

SC-CHARGE-01



WKWA0004E

CHARGING SYSTEM

Trouble Diagnoses with Battery/Starting/Charging System Tester

EKS0037Y

NOTE:

To ensure a complete and thorough diagnosis, the battery, starter and generator test segments must be done as a set from start to finish.

1. Turn off all loads on the vehicle electrical system.
2. Perform battery and starting system test with Battery/Starting/Charging system tester.
3. Press "ENTER" to begin the charging system test.
4. Start engine.



PRESS ENTER FOR
CHARGING TEST

SEL417X

5. Press "ENTER" until "LOADS OFF REV ENGINE 5 SEC" is displayed.
6. Raise and hold the engine speed at 1,500 to 2,000 rpm for about 5 seconds, then return the engine to idle. Once the increase in engine rpm is detected, press "ENTER" to continue.



LOADS OFF
REV ENGINE 5 SEC

SEL418X

NOTE:

- If after 30 seconds an increase in engine idle speed is not detected, "RPM NOT DETECTED" will display.
- Some engines may have a higher idle initially after starting, particularly when the engine is cold. The tester may detect this without any other action being taken. If this occurs, continue on with the testing process. The final results will not be affected.

7. The tester now checks the engine at idle and performs the DIODE/RIPPLE check.
8. When complete, the tester will prompt you to turn on the following electrical loads.
 - Heater fan set to highest speed. Do not run the A/C or windshield defroster.
 - Headlamp high beam
 - Rear window defogger



*** TESTING ***
ENGINE AT IDLE



*** TESTING ***
DIODE/RIPPLE

SEL419X

NOTE:

Do not run the windshield wipers or any other cyclical loads.

9. Press "ENTER" to continue.



TURN LOADS ON
ENTER TO CONT...

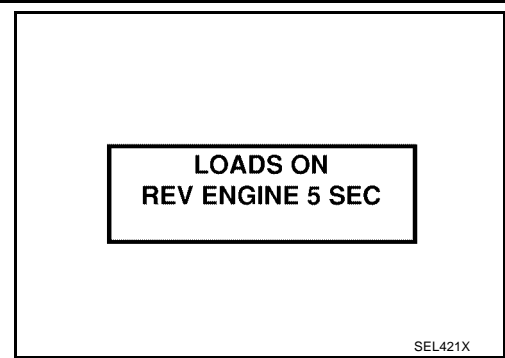
SEL420X

CHARGING SYSTEM

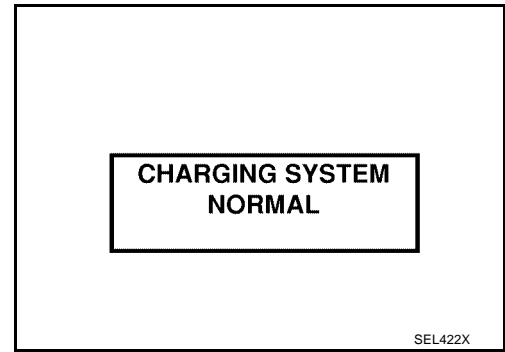
10. Raise and hold the engine speed at 1,500 to 2,000 rpm for about 5 seconds, then return the engine to idle. Once the increase in engine rpm is detected, press "ENTER" to continue.

NOTE:

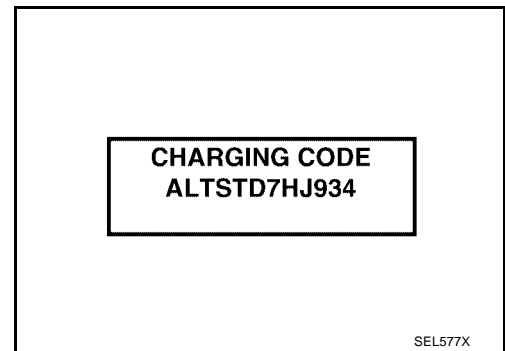
If after 30 seconds an increase in engine idle speed is not detected, "RPM NOT DETECTED" will be displayed. Press "ENTER" to restart the test.



11. Diagnostic result is displayed on the tester. Refer to [SC-25, "DIAGNOSTIC RESULT ITEM CHART"](#).



12. Press "ENTER" then test output code is displayed. Record the test output code on the repair order.
 13. Toggle back to the "DIAGNOSTIC SCREEN" for test results.

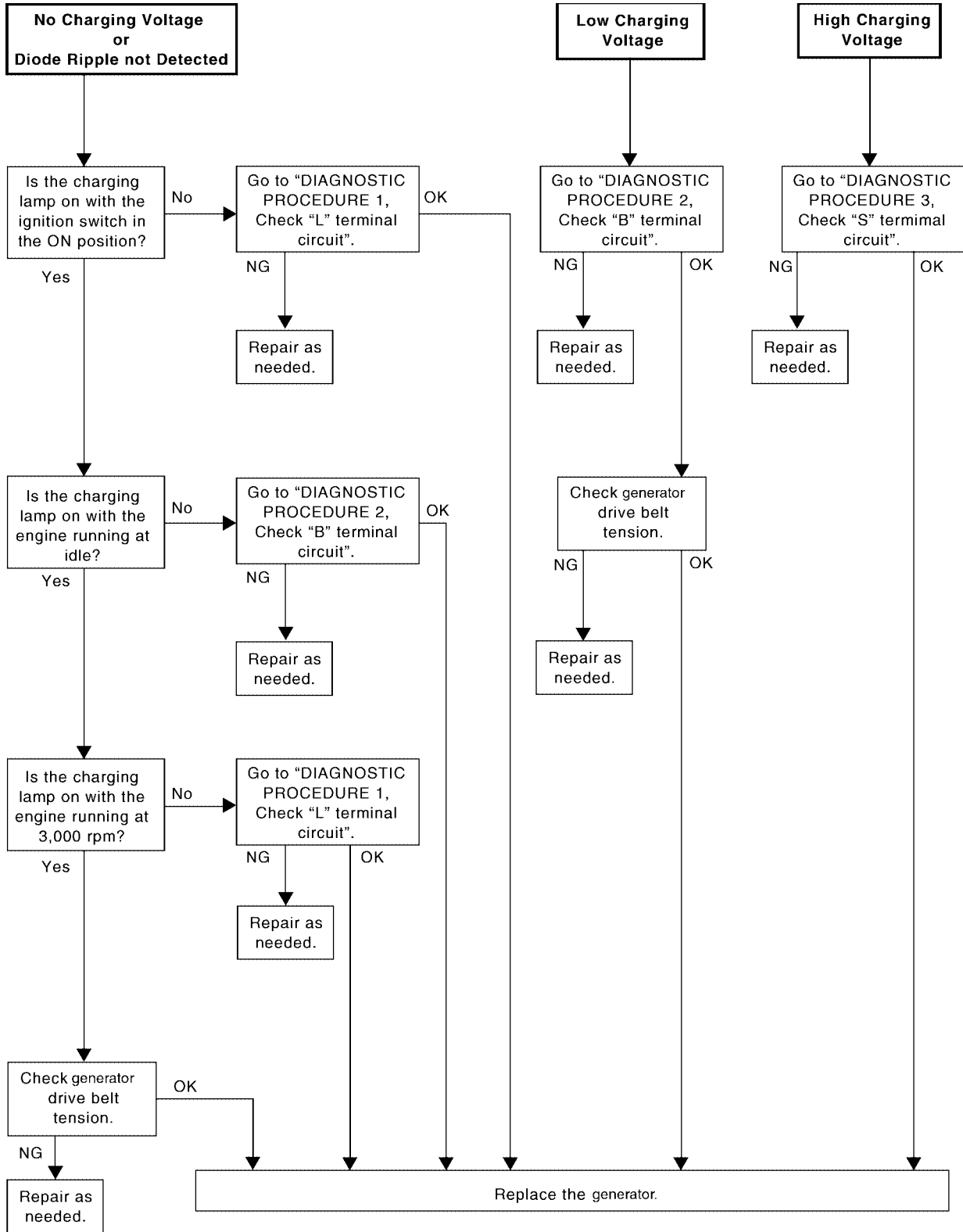


DIAGNOSTIC RESULT ITEM CHART

Diagnostic item	Service procedure
CHARGING SYSTEM NORMAL	Charging system is normal and will also show DIODE RIPPLE test result.
NO CHARGING VOLTAGE	Go to SC-26, "WORK FLOW" .
LOW CHARGING VOLTAGE	Go to SC-26, "WORK FLOW" .
HIGH CHARGING VOLTAGE	Go to SC-26, "WORK FLOW" .
DIODE RIPPLE NORMAL	Diode ripple is OK and will also show CHARGING VOLTAGE test result.
EXCESS RIPPLE DETECTED	Replace the generator. Perform "DIODE RIPPLE" test again using Battery/Starting/Charging system tester to confirm repair.
DIODE RIPPLE NOT DETECTED	Go to SC-26, "WORK FLOW" .

CHARGING SYSTEM

WORK FLOW



LSC047

CHARGING SYSTEM

DIAGNOSTIC PROCEDURE 1

Check "L" Terminal Circuit

1. CHECK "L" TERMINAL CONNECTION

Check to see if "L" terminal is clean and tight.

OK or NG

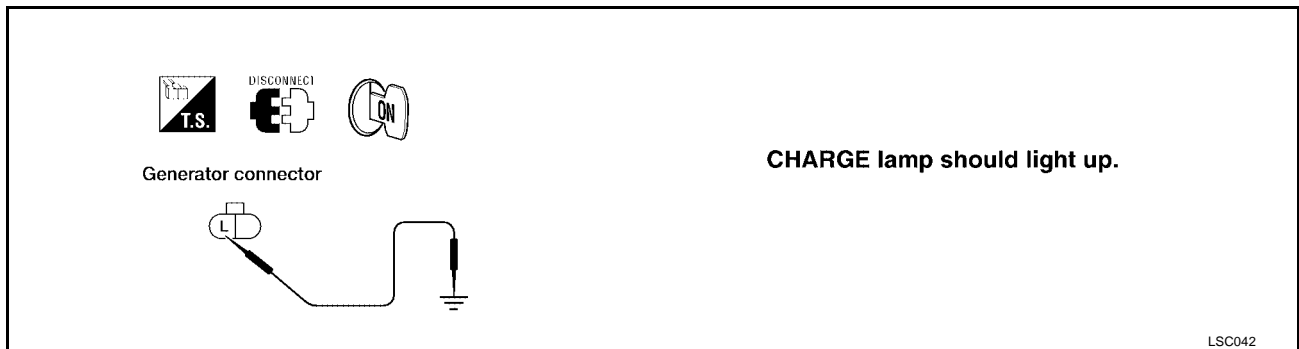
OK >> GO TO 2.

NG >> Repair "L" terminal connection. Confirm repair by performing complete Battery/Starting/Charging system test.

2. CHECK "L" TERMINAL CIRCUIT

1. Disconnect E35 connector from generator.

2. Apply ground to connector E35 terminal L (Y/R) with the ignition switch in the ON position.



OK or NG

OK >> Replace the generator. Confirm repair by performing complete Battery/Starting/Charging system test.

NG >> Check the following.

- 10A fuse [No. 30, located in fuse block (J/B)]
- CHARGE lamp
- Harness for open or short between combination meter and fuse
- Harness for open or short between combination meter and generator

CHARGING SYSTEM

DIAGNOSTIC PROCEDURE 2

Check "B" Terminal Circuit

1. CHECK "B" TERMINAL CONNECTION

Check to see if "B" terminal is clean and tight.

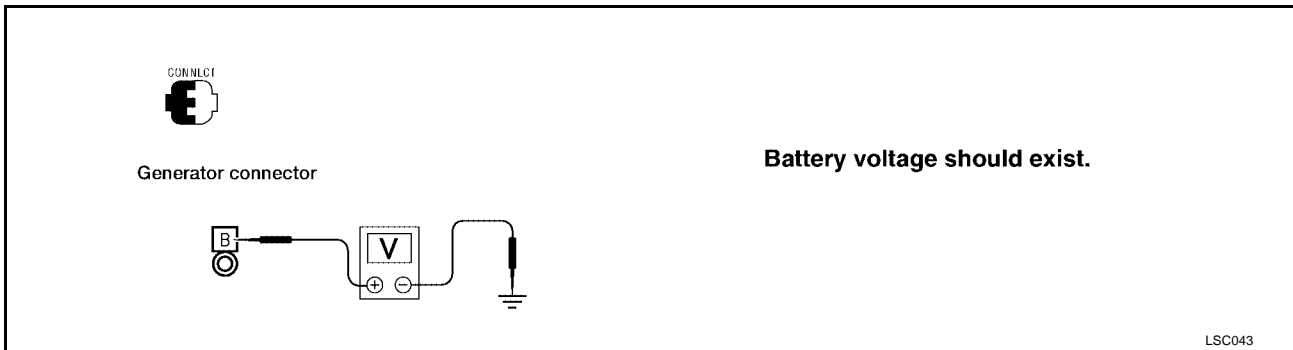
OK or NG

OK >> GO TO 2.

NG >> Repair "B" terminal connection. Confirm repair by performing complete Battery/Starting/Charging system test.

2. CHECK GENERATOR "B" TERMINAL CIRCUIT

Check voltage between generator connector E34 terminal B (B/L) (QG18DE), (W) (QR25DE) and ground using a digital circuit tester.



OK or NG

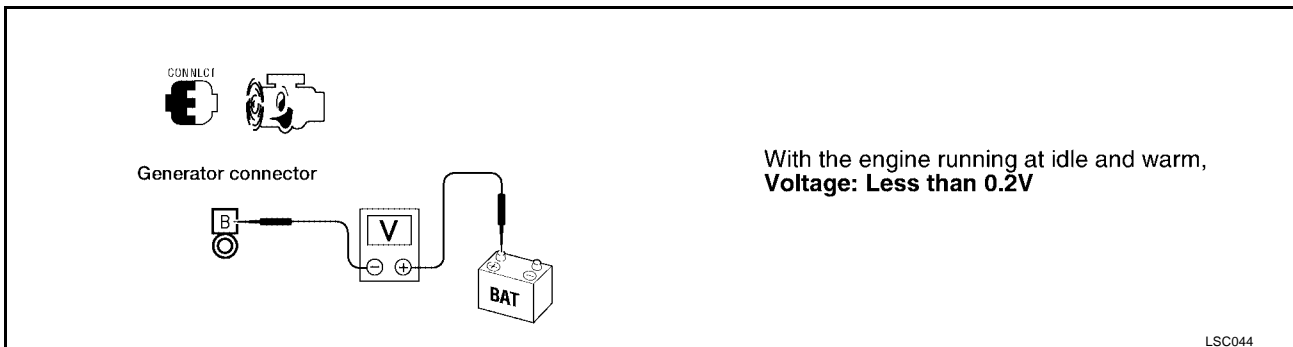
OK >> GO TO 3.

NG >> Check the following.

- 100A (QG18DE), 120A (QR25DE) fusible link (letter **a** , located in fuse and fusible link box)
- Harness for open or short between generator and fusible link

3. CHECK "B" TERMINAL CONNECTION QUALITY (VOLTAGE DROP TEST)

Check voltage between generator connector E34 terminal B (B/L) (QG18DE), (W) (QR25DE) and battery positive terminal using a digital circuit tester.



OK or NG

OK >> Replace the generator. Confirm repair by performing complete Battery/Starting/Charging system test.

NG >> Check harness between the battery and the generator for poor continuity.

CHARGING SYSTEM

DIAGNOSTIC PROCEDURE 3

Check "S" Terminal Circuit

1. CHECK "S" TERMINAL CONNECTION

Check to see if "S" terminal is clean and tight.

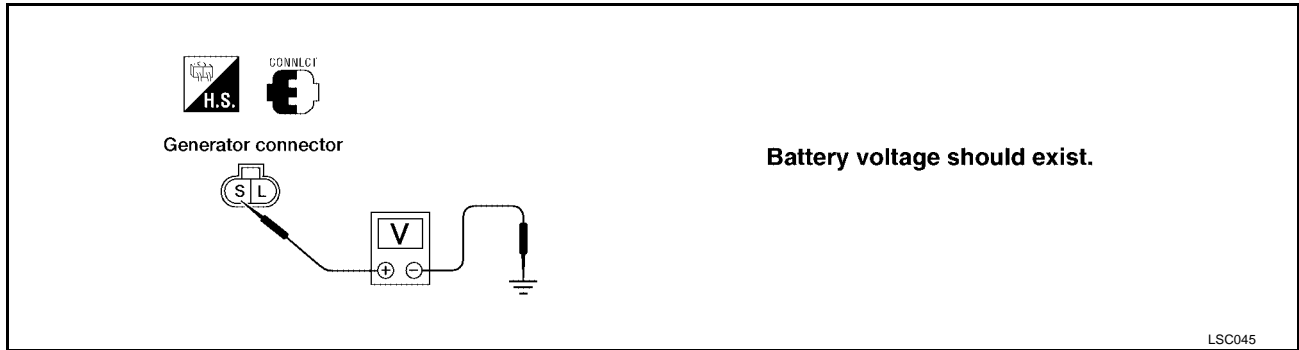
OK or NG

OK >> GO TO 2.

NG >> Repair "S" terminal connection. Confirm repair by performing complete Battery/Starting/Charging system test.

2. CHECK GENERATOR "S" TERMINAL CIRCUIT

Check voltage between generator connector E35 terminal S (G/B) and ground using a digital circuit tester.



OK or NG

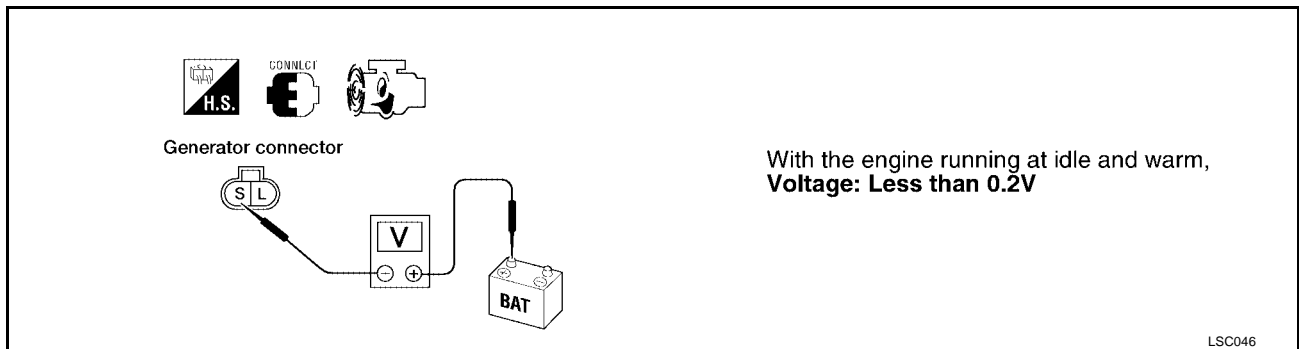
OK >> GO TO 3.

NG >> Check the following.

- 10A fuse (No. 33, located in fuse and fusible link box)
- Harness for open or short between generator and fuse

3. CHECK "S" TERMINAL CONNECTION QUALITY (VOLTAGE DROP TEST)

Check voltage between generator connector E35 terminal S (G/B) and battery positive terminal using a digital circuit tester.



OK or NG

OK >> Replace the generator. Confirm repair by performing complete Battery/Starting/Charging system test.

NG >> Check harness between the battery and the generator for poor continuity.

CHARGING SYSTEM

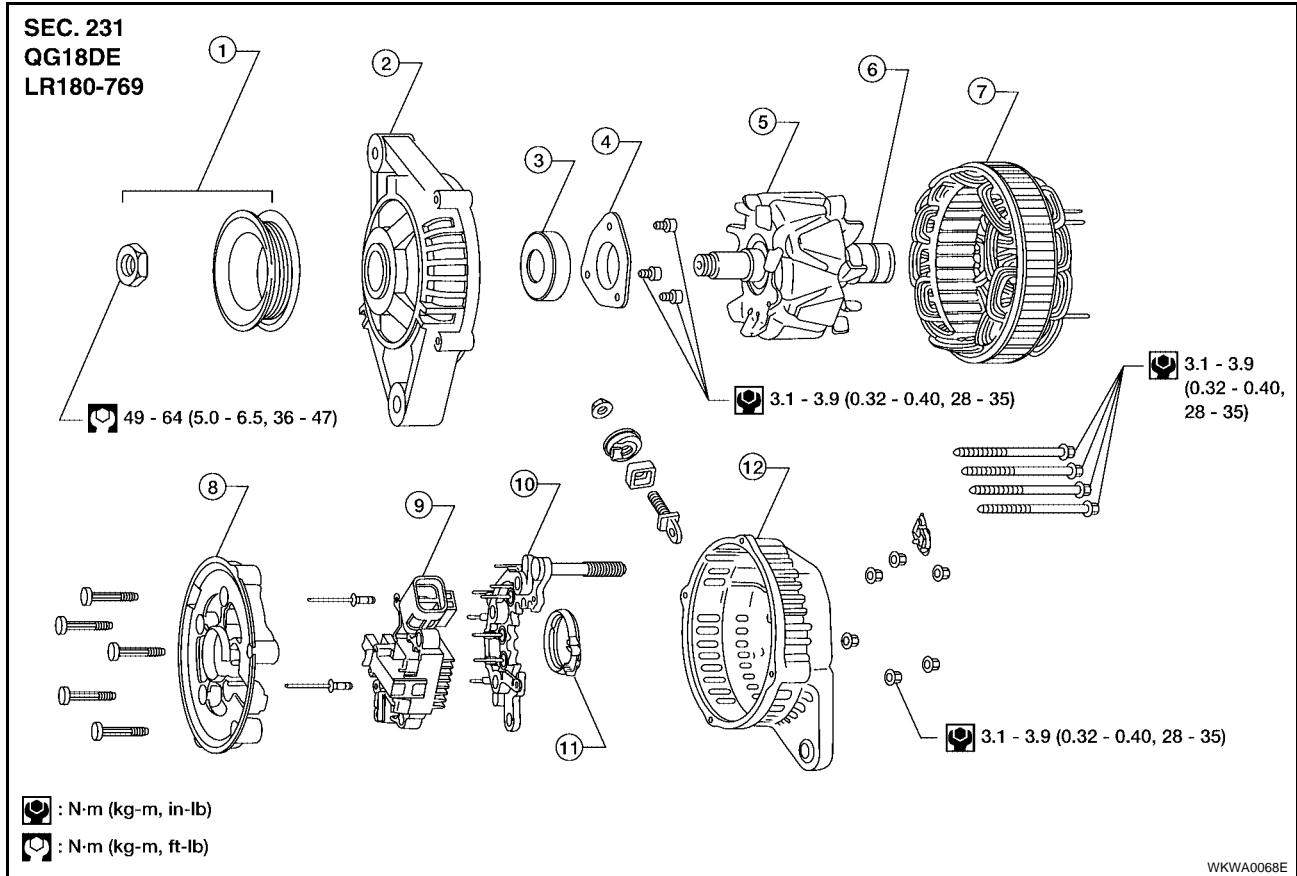
MALFUNCTION INDICATOR

The IC regulator warning function activates to illuminate “CHARGE” warning lamp, if any of the following symptoms occur while generator is operating:

- Excessive voltage is produced.
- No voltage is produced.

Construction

EKS0037Z



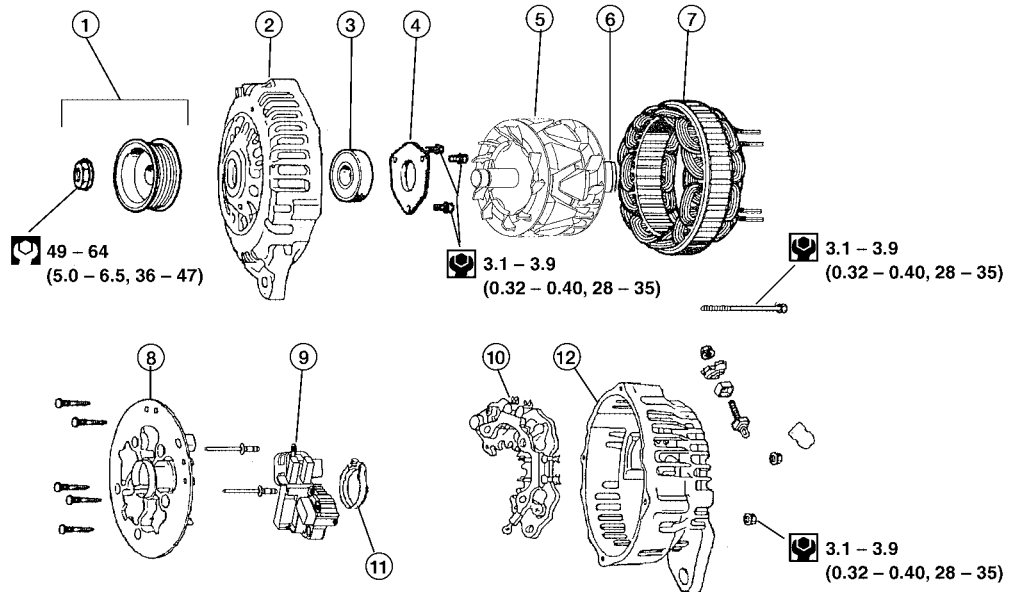
- 1. Pulley assembly
- 4. Retainer
- 7. Stator
- 10. Diode assembly

- 2. Front cover
- 5. Rotor
- 8. Fan guide
- 11. Packing

- 3. Front bearing
- 6. Slip ring
- 9. IC regulator assembly
- 12. Rear cover

CHARGING SYSTEM

SEC231
QR25DE
LR1100-734



: N-m (kg-m, in-lb)

: N-m (kg-m, ft-lb)

WKIA0136E

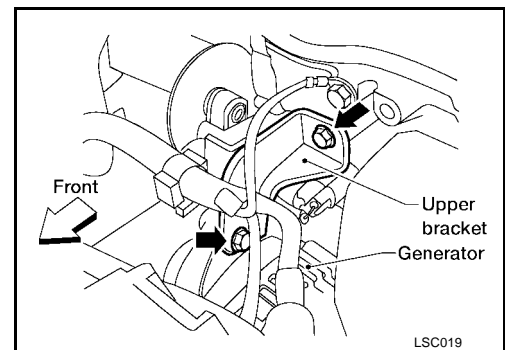
- | | | |
|--------------------|----------------|--------------------------|
| 1. Pulley assembly | 2. Front cover | 3. Front bearing |
| 4. Retainer | 5. Rotor | 6. Slip ring |
| 7. Stator | 8. Fan guide | 9. IC regulator assembly |
| 10. Diode assembly | 11. Packing | 12. Rear cover |

Removal and Installation QG18DE

EKS00380

Removal

1. Disconnect the negative battery terminal.
2. Remove the front/right-side engine undercover.
3. Remove the drive belt.
4. Disconnect the A/C compressor harness connector.
5. Remove the four A/C compressor mounting bolts.
6. Slide the A/C compressor forward and support it.
7. Remove the two generator lower mounting bolts.
8. Disconnect the generator harness connectors.
9. Remove the generator upper bracket.
10. Remove the generator.



A
B
C
D
E
F
G
H
I
J

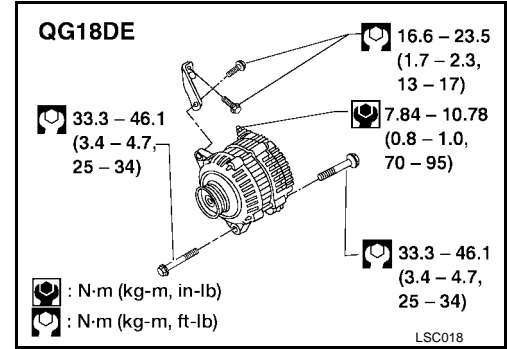
SC

L
M

CHARGING SYSTEM

Installation

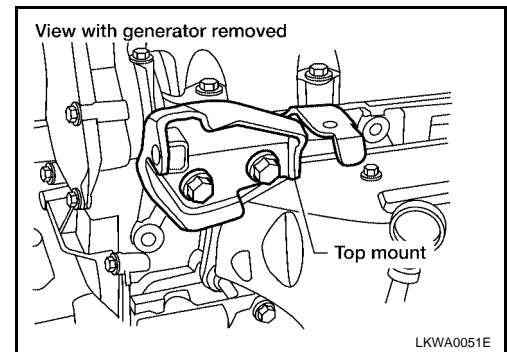
To install, reverse the removal procedure.



QR25DE

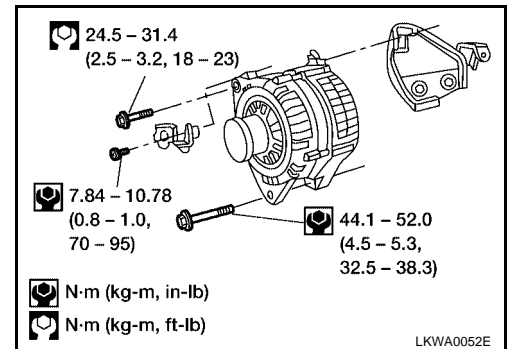
Removal

1. Disconnect the negative battery cable.
2. Remove the front/right-side engine undercover.
3. Remove the drive belt.
4. Disconnect the generator harness connectors.
5. Disconnect the engine ground wire from the top mount.
6. Remove the generator upper and lower mount bolts.
7. Set the generator aside and remove the generator top mount.
8. Slide the generator out and remove.



Installation

To install, reverse the removal procedure.



SERVICE DATA AND SPECIFICATIONS (SDS)

SERVICE DATA AND SPECIFICATIONS (SDS)

PF0:00030

Battery

EKS00381

Application	QG18DE	QR25DE
Type	GR.21R (BCI)	GR.24R (BCI)
Capacity (20 HR) minimum V-AH	12-49	12-63
Cold cranking current A (For reference value)	356 @ -18°C (0°F)	550 @ -18°C (0°F)

Starter

EKS00382

Application	QG18DE	QR25DE	
Manufacturer	Hitachi S114-900	Mitsubishi M000T87085ZC	Mitsubishi M000T60781ZC
		M/T models	A/T models
Type	Reduction gear type	Reduction gear type	
System voltage	12V	12V	
No-load	Terminal voltage	11V	11V
	Current	90A Max.	90A Max.
	Revolution	2,600 rpm Min.	2,500 rpm Min.
Minimum diameter of commutator	32.1 mm	28.8 mm	
Minimum length of brush	10.7 mm	5.5 mm	7.0 mm
Brush spring tension	11.5 N (1.17 kg, 2.58 lb)	15.0 - 20.4 (1.53 - 2.08 kg, 3.37 - 4.59 lb)	18.3 - 24.8 (1.87 - 2.53 kg, 4.11 - 5.58 lb)
Clearance between pinion front edge and pinion stopper	1.8 mm	0.5 - 2.0 mm	

Generator

EKS00383

Application	QG18DE	QR25DE
Type	LR180-769	LR1100-734
	HITACHI	
Nominal rating	12V-80A	12V-110A
Ground polarity	Negative	
Minimum revolution under no-load (When 13.5 volts is applied)	1,000 rpm	950 rpm
Hot output current (When 13.5 volts is applied)	23A/1,300 rpm 66A/2,500 rpm 79A/5,000 rpm	35A/1,300 rpm 83A/2,500 rpm 95A/5,000 rpm
Regulated output voltage	14.1 - 14.7V	
Minimum length of brush	6 mm (0.236 in)	
Brush spring pressure	1.000 - 3.432 N (0.102 - 0.350 kg, 0.225 - 0.772 lbs)	
Slip ring minimum outer diameter	26.0 mm (1.024 in)	
Rotor (Field coil) resistance	2.67 ohms	2.31 ohms

SERVICE DATA AND SPECIFICATIONS (SDS)
