

SECTION **SE**
SEAT

A
B
C

D

CONTENTS

E

| | | | | |
|---|----------|--------------------------------|----------|----------|
| PRECAUTIONS | 2 | FRONT SEAT | 3 | F |
| Precautions for Supplemental Restraint System (SRS) "AIR BAG" and "SEAT BELT PRE-TEN- SIONER" | 2 | Removal and Installation | 3 | |
| | | REAR SEAT | 5 | G |
| | | Removal and Installation | 5 | |

H

SE

J

K

L

M

PRECAUTIONS

PRECAUTIONS

PFP:00001

Precautions for Supplemental Restraint System (SRS) “AIR BAG” and “SEAT BELT PRE-TENSIONER”

EIS0017C

The Supplemental Restraint System such as “AIR BAG” and “SEAT BELT PRE-TENSIONER”, used along with a front seat belt, helps to reduce the risk or severity of injury to the driver and front passenger for certain types of collision. Information necessary to service the system safely is included in the SRS and SB section of this Service Manual.

WARNING:

- To avoid rendering the SRS inoperative, which could increase the risk of personal injury or death in the event of a collision which would result in air bag inflation, all maintenance must be performed by an authorized NISSAN/INFINITI dealer.
- Improper maintenance, including incorrect removal and installation of the SRS, can lead to personal injury caused by unintentional activation of the system. For removal of Spiral Cable and Air Bag Module, see the SRS section.
- Do not use electrical test equipment on any circuit related to the SRS unless instructed to in this Service Manual. SRS wiring harnesses can be identified by yellow and/or orange harnesses or harness connectors.

FRONT SEAT

PF:87000

Removal and Installation

EIS0017D

WARNING:

Removal of front side air bag module should only be done to allow deployment of front side air bag module prior to disposal of seatback assembly.

For Wiring Diagrams, refer to [SRS-3, "Wiring Diagrams and Trouble Diagnosis"](#) .

CAUTION:

- On vehicles equipped with side air bags, before removing the front seat, turn the ignition switch off, disconnect the negative and positive battery cables and wait a minimum of 3 minutes.
- When checking the power seat circuitry for continuity using a circuit tester, do not confuse the seat connector with the side air bag connector. Doing so could cause the side air bag to deploy.
- Do not drop, tilt, or bump the side air bag module installed in the seat. Always handle it with care.
- Disconnect the side air bag harness connector, if equipped, and the power seat switch harness connector from under the seat before removing the seat. Refer to [SRS-46, "Removal"](#) .
- After front side air bag module inflates, front seatback assembly must be replaced.

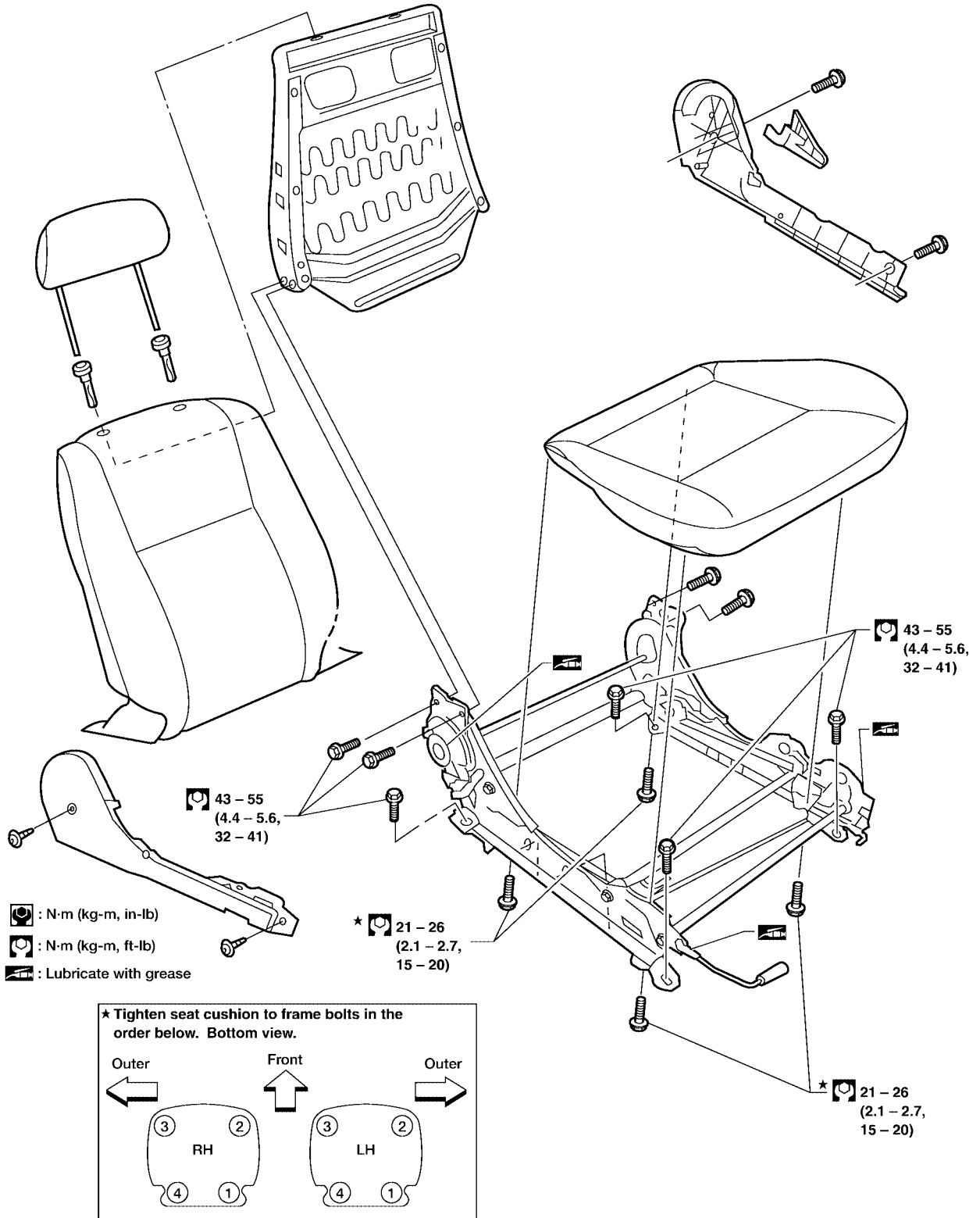
NOTE:

Only complete seatback assemblies can be replaced on vehicles equipped with side air bags.

A
B
C
D
E
F
G
H
J
K
L
M

SE

FRONT SEAT



WEIA0003E

REAR SEAT

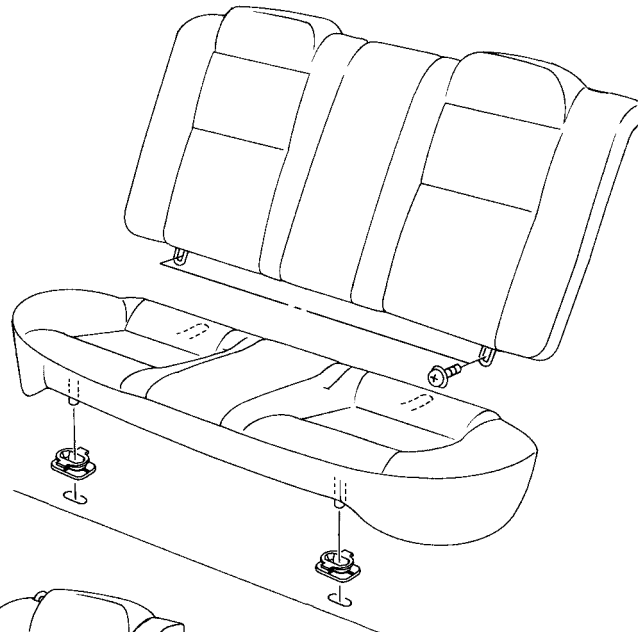
REAR SEAT

Removal and Installation

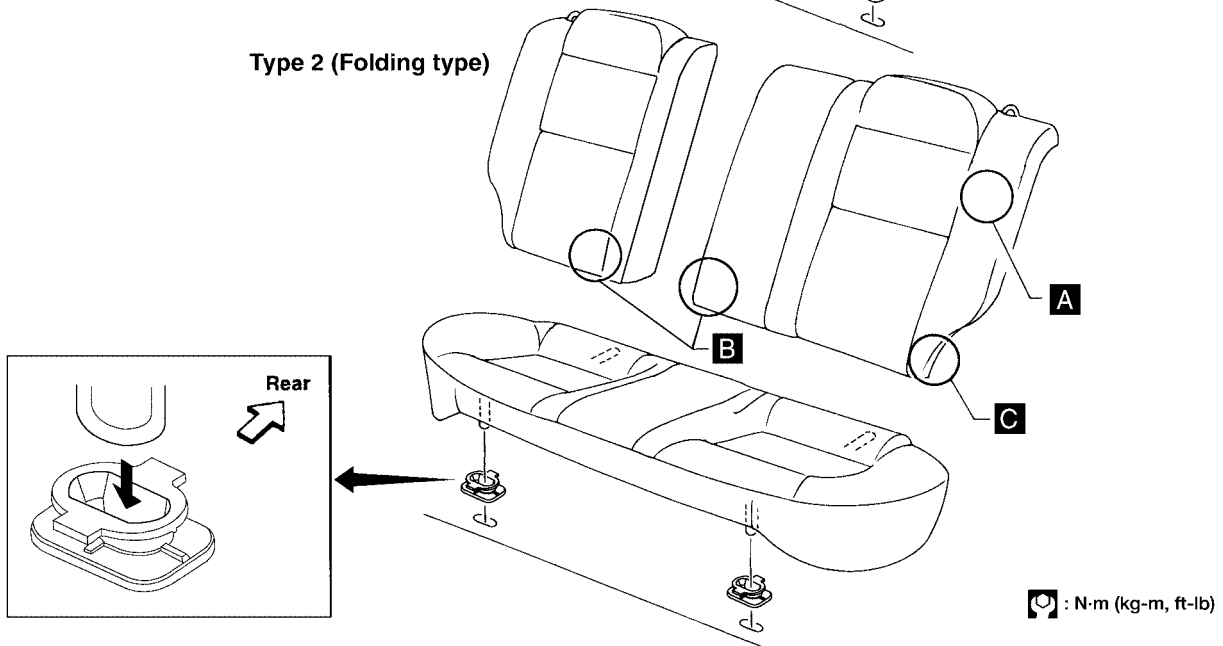
PFP:88300

EIS0017E

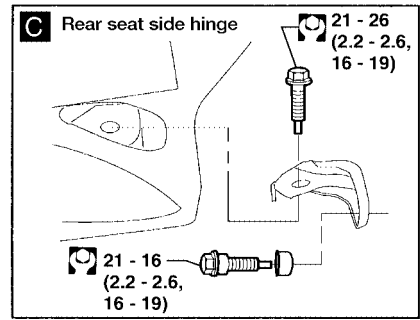
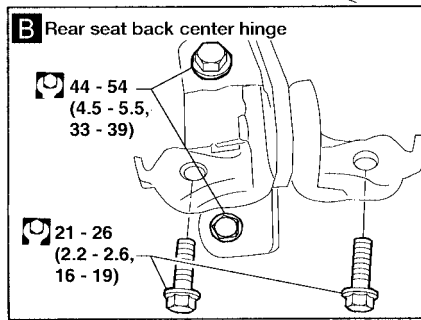
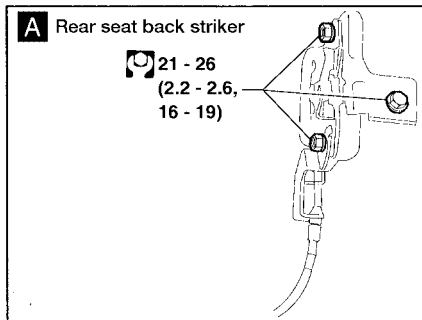
Type 1 (Fixed type)



Type 2 (Folding type)



: N·m (kg·m, ft·lb)



LIIA0232E

REAR SEAT
