

ROAD WHEEL

ROAD WHEEL

PFP:40300

EES000JC

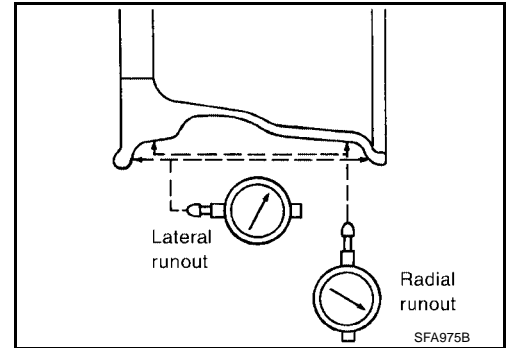
Inspection

1. Check tires for wear and improper inflation.
2. Check wheels for deformation, cracks and other damage. If deformed, remove wheel and check wheel runout.
- a. Remove tire from wheel and mount wheel on a tire balance machine.
- b. Set dial indicator as shown in the illustration.

Wheel runout (Dial indicator value):

Refer to [WT-6, "Road Wheel"](#) .

3. Check front wheel bearings for looseness.
4. Check front suspension for looseness.



A
B
C
D
WT
F
G
H
I
J
K
L
M

WHEEL AND TIRE ASSEMBLY

WHEEL AND TIRE ASSEMBLY

PF:40300

Balancing Wheels REMOVAL

EES000KI

1. Remove inner and outer balance weights from the wheel.

CAUTION:

- Be careful not to scratch the wheel during removal procedures.

2. Using releasing agent, remove double-faced adhesive tape from the wheel.

CAUTION:

- Be careful not to scratch the wheel during removal.
- After removing double-faced adhesive tape, wipe clean traces of releasing agent from the wheel.

WHEEL BALANCE ADJUSTMENT

- If a tire balance machine has adhesion balance weight mode settings and drive-in weight mode setting, select and adjust a drive-in weight mode suitable for wheels.

1. Set wheel on wheel balancer using the center hole as a guide. Start the tire balance machine.
2. When inner and outer unbalance values are shown on the wheel balancer indicator, multiply outer unbalance value by 1.6 to determine balance weight that should be used. Select the outer balance weight with a value closest to the calculated value and install it to the designated outer position of, or at the designated angle in relation to the road wheel.

CAUTION:

- Do not install the inner balance weight before installing the outer balance weight.
- Before installing the balance weight, be sure to clean the mating surface of the wheel.

Indicated unbalance value $\times 5/3 =$ balance weight to be installed

Calculation example:

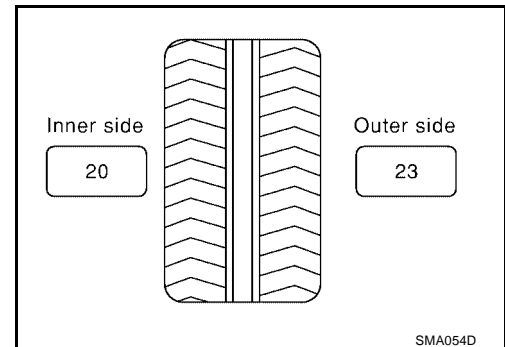
23 g (0.81 oz.) $\times 5/3 = 38.33$ g (1.35 oz.) = 40 g (1.41 oz.) balance weight (closer to calculated balance weight value)

Note that balance weight value must be closer to the calculated balance weight value.

Example:

37.4 g = 35 g (1.23 oz.)

37.5 g = 40 g (1.41 oz.)

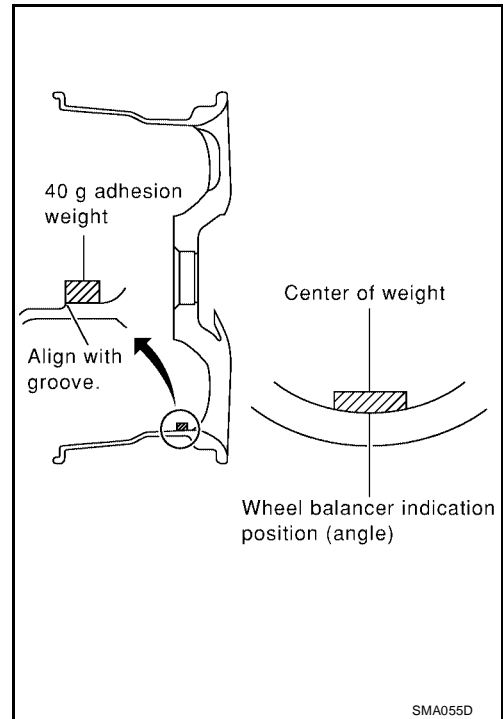


WHEEL AND TIRE ASSEMBLY

- Install balance weight in the position shown.
- When installing balance weight to wheels, set it into the grooved area on the inner wall of the wheel as shown so that the balance weight center is aligned with the wheel balancer indication position (angle).

CAUTION:

- Always use genuine Nissan adhesion balance weights.
- Balance weights are not reusable; always replace with new ones.
- Do not install more than three sheets of balance weight.



- If calculated balance weight value exceeds 50 g (1.76 oz.), install two balance weight sheets in line with each other as shown.

CAUTION:

Do not install one balance weight sheet on top of another.

- Start wheel balancer again.
- Install drive-in balance weight on inner side of road wheel in the wheel balancer indication position (angle).

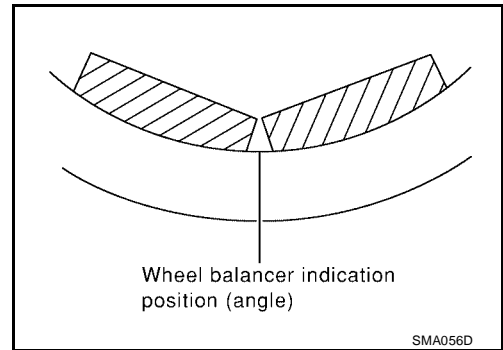
CAUTION:

Do not install more than two balance weights.

- Start wheel balancer. Make sure that inner and outer residual unbalance values are 10 g (0.35 oz.) each or below.
 - If either residual unbalance value exceeds 10 g (0.35 oz.), repeat installation procedures.

Wheel balance (Maximum allowable unbalance):

| | | |
|-----------------------------|-------------------------|----------------------------|
| Maximum allowable unbalance | Dynamic (At rim flange) | 10 g (0.35 oz.) (one side) |
| | Static | 20 g (0.71 oz.) |



Rotation

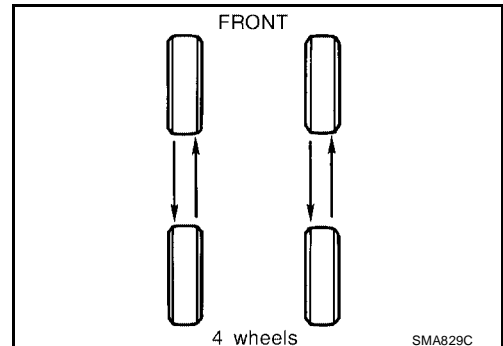
EES000KJ

- Follow the maintenance schedule for tire rotation service intervals. Refer to [MA-31, "Tire Rotation"](#).
- Do not include the T-type spare tire when rotating the tires.

CAUTION:

When installing wheels, tighten them diagonally by dividing the work two to three times in order to prevent the wheels from developing any distortion.

Tightening torque of wheel nut : 98 - 117N-m (10 - 12 kg-m, 73 - 86 ft-lb)



SERVICE DATA AND SPECIFICATIONS (SDS)

SERVICE DATA AND SPECIFICATIONS (SDS)

PF0:00030

Road Wheel

EES000JF

| Wheel type | | Aluminum | Steel | |
|--|---------------------------|--------------------------------------|---------------------|---------------------|
| | | | Inside | Outside |
| Maximum radial runout limit | Lateral mm (in) | 0.3 (0.012) or less | 1.0 (0.039) or less | 0.9 (0.035) or less |
| | Radial mm (in) | 0.3 (0.012) or less | 0.8 (0.031) or less | 0.4 (0.016) or less |
| Allowable quantity of residual unbalance | Dynamic (On the ear part) | Less than 10 g (0.35 oz.) (per side) | | |
| | Static (On the ear part) | Less than 20 g (0.70 oz.) | | |

Tire

EES000JG

Unit: kPa (kg/cm², psi)

| Tire size | Air pressure | |
|---|-------------------|---------------|
| | Conventional tire | Spare tire |
| T125/70*14 T125/70*15 T135/80*15 | — | 420 (4.2, 60) |
| P195/60HR15 P195/55HR16 P215/45ZR17 | 200 (2.0, 29) | — |

* D or R depending on manufacturer.