

SECTION **AV**  
AUDIO, VISUAL & TELEPHONE SYSTEM

CONTENTS

<b>AUDIO</b> .....	2	BASE AND MID LEVEL SYSTEM .....	14
System Description .....	2	PREMIUM SYSTEM .....	15
BASE SYSTEM .....	2	CD AUTOCHANGER .....	15
MID LEVEL SYSTEM .....	2	Inspection .....	15
PREMIUM SYSTEM .....	2	AUDIO UNIT .....	15
Schematic .....	4	ANTENNA .....	15
BASE AND MID LEVEL SYSTEM .....	4	CD Autochanger (If Equipped) Removal and Instal- lation .....	16
PREMIUM SYSTEM .....	5	LOCKING CD AUTOCHANGER MECHANISM... ..	16
Wiring Diagram — AUDIO — /Base and Mid Level System .....	6	Subwoofer (With Premium Audio System) Removal and Installation .....	17
Wiring Diagram — AUDIO — /Premium System .....	9	Location of Antenna .....	18
Trouble Diagnoses .....	14	Antenna Removal and Installation .....	18
AUDIO UNIT .....	14		

A  
B  
C  
D  
E  
F  
G  
H  
I  
J  
L  
M

AV

## AUDIO

### System Description BASE SYSTEM

Refer to Owner's Manual for audio system operating instructions.

Power is supplied at all times:

- through 15A fuse (No. 32, located in the fuse and fusible link box)
- to audio unit terminal 6.

With the ignition switch in the ACC or ON position, power is supplied:

- through 10A fuse [No. 1, located in the fuse block (J/B)]
- to audio unit terminal 10.

Ground is supplied through the case of the audio unit.

Audio signals are supplied:

- through audio unit terminals 1, 2, 3, 4, 13, 14, 15 and 16
- to terminals + and - of front door speaker LH and RH
- to terminals + and - of rear speaker LH and RH.

### MID LEVEL SYSTEM

Refer to Owner's Manual for audio system operating instructions.

Power is supplied at all times:

- through 15A fuse (No. 32, located in the fuse and fusible link box)
- to audio unit terminal 6.

With the ignition switch in the ACC or ON position, power is supplied:

- through 10A fuse [No. 1, located in the fuse block (J/B)]
- to audio unit terminal 10.

Ground is supplied through the case of the audio unit.

Ground is supplied to subwoofer amp. terminal 7 through body grounds B13 and B19.

Audio signals are supplied:

- through audio unit terminals 1, 2, 3, 4, 13, 14, 15 and 16
- to terminals + and - of front door speaker LH and RH
- to terminals + and - of rear speaker LH and RH
- to terminals + and - of pillar tweeter LH and RH and
- to terminals 1, 2, 3 and 4 of subwoofer amp.

### PREMIUM SYSTEM

Refer to Owner's Manual for audio system operating instructions.

Power is supplied at all times:

- through 15A fuse (No. 32, located in the fuse and fusible link box)
- to audio unit terminal 6
- through 20A fuse (No. 42, located in the fuse and fusible link box)
- to audio amplifier terminals 1 and 2.

With the ignition switch in the ACC or ON position, power is supplied:

- through 10A fuse [No. 1, located in the fuse block (J/B)]
- to audio unit terminal 10.

Ground is supplied through the case of the audio unit.

Ground is supplied:

- to audio amplifier terminals 3 and 4
- through body grounds B13 and B19.

Audio signals are supplied:

- through audio unit terminals 1, 2, 3, 4, and 12
- to audio amplifier terminals 13, 14, 15, 16, 17, 18, 19, 20 and 24
- through audio unit terminals 13, 14, 15 and 16

# AUDIO

- to terminals + and - of rear speaker LH and RH.

The audio signals are amplified by the audio amplifier and then supplied:

- through audio amplifier terminals 5, 6, 7, 8, 9, 10, 11, and 12.
- to terminals + and - of front door speaker LH and RH
- to terminals + and - of pillar tweeter LH and RH and
- to terminals 1, 2, 3 and 4 of subwoofer.

## Satellite Radio Tuner (Pre-wiring)

The satellite radio tuner pre-wiring allows connection of a satellite radio tuner.

Power is supplied at all times:

- through 15A fuse [No. 32, located in the fuse and fusible link box]
- to satellite radio tuner pre-wiring terminal 32 (with base and mid level system) or 4 (with premium system).

With the ignition switch in the ACC or ON position, power is supplied:

- through 10A fuse [No. 1, located in the fuse block (J/B)]
- to satellite radio tuner pre-wiring terminal 36 (with base and mid level system) or 6 (with premium system).

Ground is supplied through the case of the satellite radio tuner.

Then audio signals are supplied:

- through satellite radio tuner pre-wiring terminals 21, 22, 23 and 24 (with base and mid level system) or 1, 2, 7 and 8 (with premium system)
- to audio unit terminals 41, 42, 43 and 44.

## CD Autochanger

Refer to Owner's Manual for CD autochanger operating instructions.

Power is supplied at all times:

- through 15A fuse [No. 32, located in the fuse and fusible link box]
- to CD autochanger terminal 4.

With the ignition switch in the ACC or ON position, power is supplied:

- through 10A fuse [No. 1, located in the fuse block (J/B)]
- to CD autochanger terminal 6.

Ground is supplied through the case of the CD autochanger.

Audio signals are supplied:

- through CD autochanger terminals 1, 2, 7 and 8
- to audio unit terminals 41, 42, 43 and 44.

A

B

C

D

E

F

G

H

I

J

AV

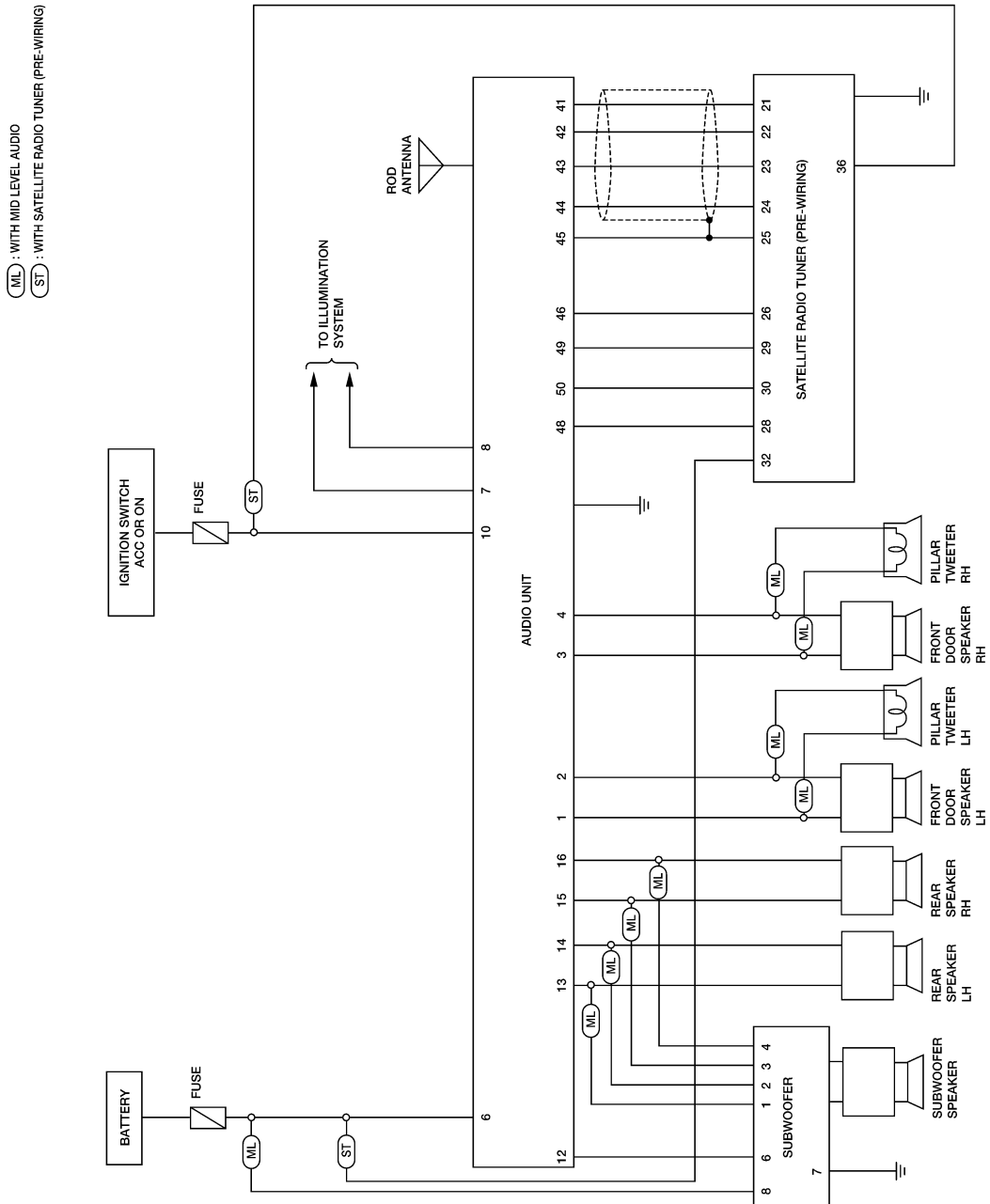
L

M

# AUDIO

## Schematic BASE AND MID LEVEL SYSTEM

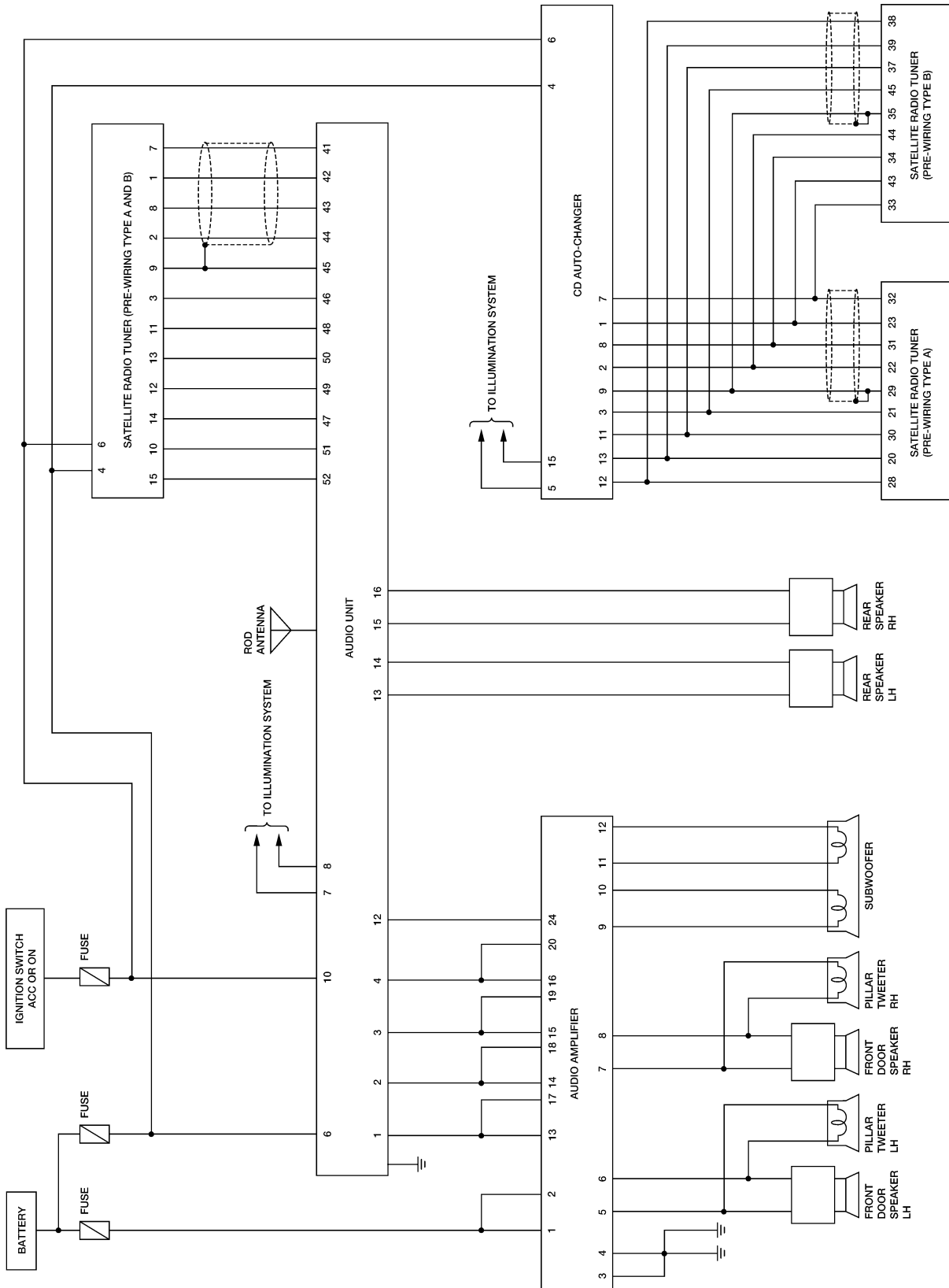
EKS00GFN



WKWA3606E

# AUDIO

## PREMIUM SYSTEM



LKWA0314E

A  
B  
C  
D  
E  
F  
G  
H  
I  
J  
L  
M

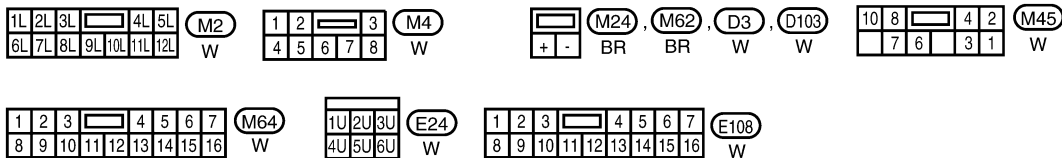
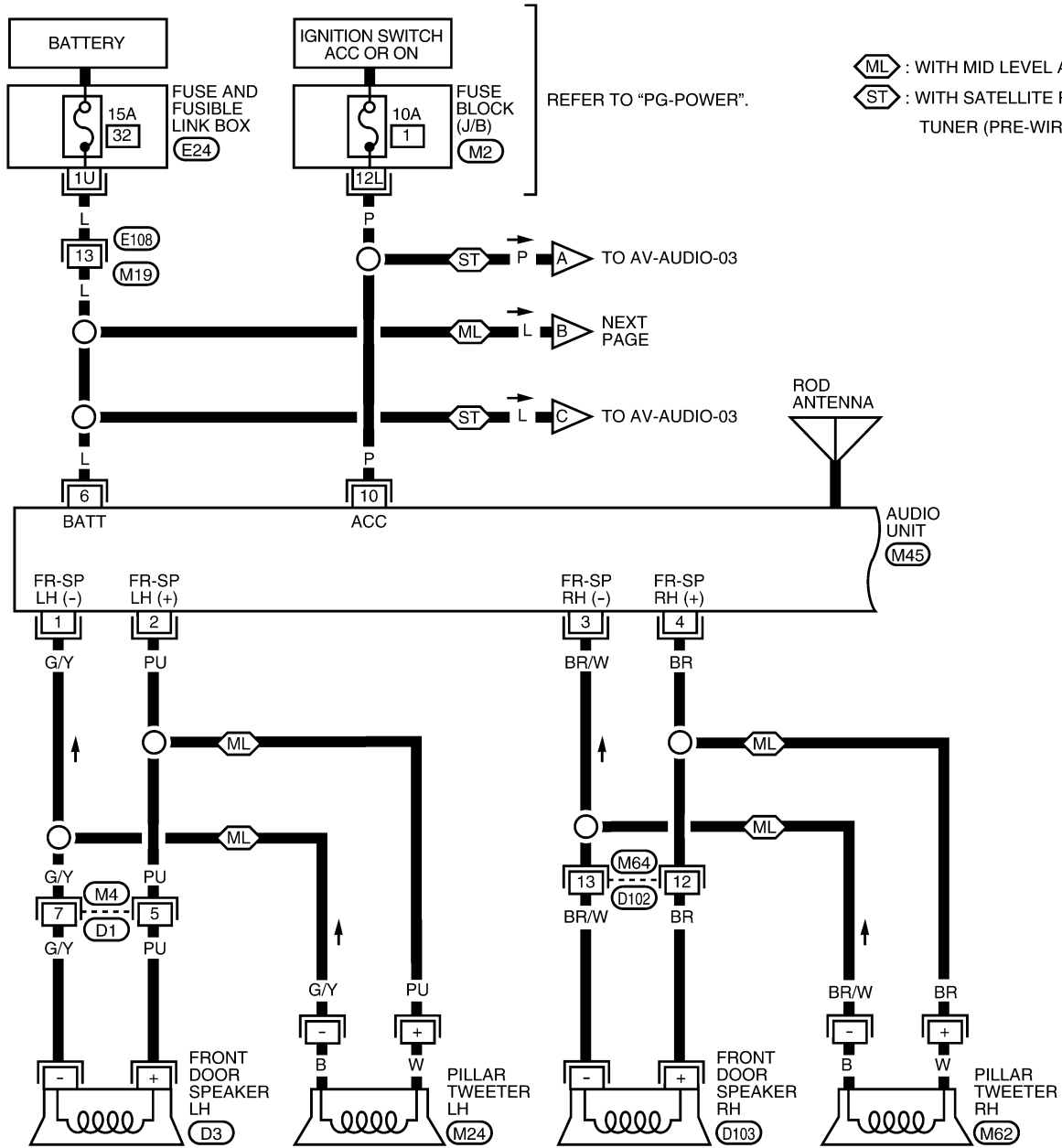
AV

# AUDIO

## Wiring Diagram — AUDIO — /Base and Mid Level System

EKS003AJ

### AV-AUDIO-01

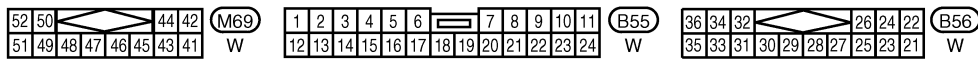
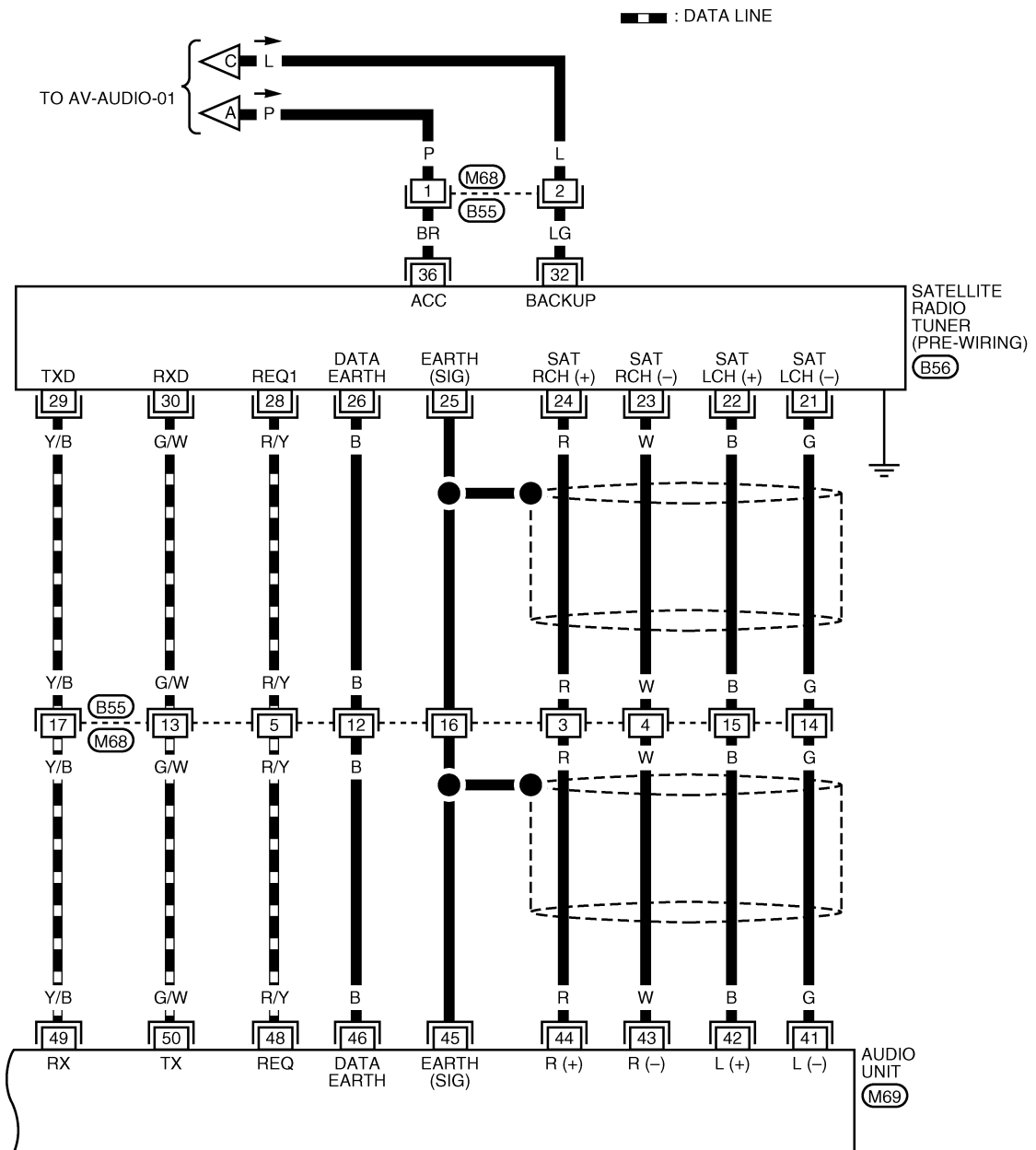


WKWA3288E



# AUDIO

## AV-AUDIO-03



WKWA1831E

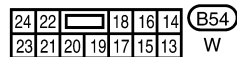
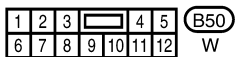
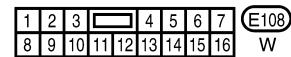
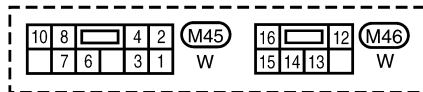
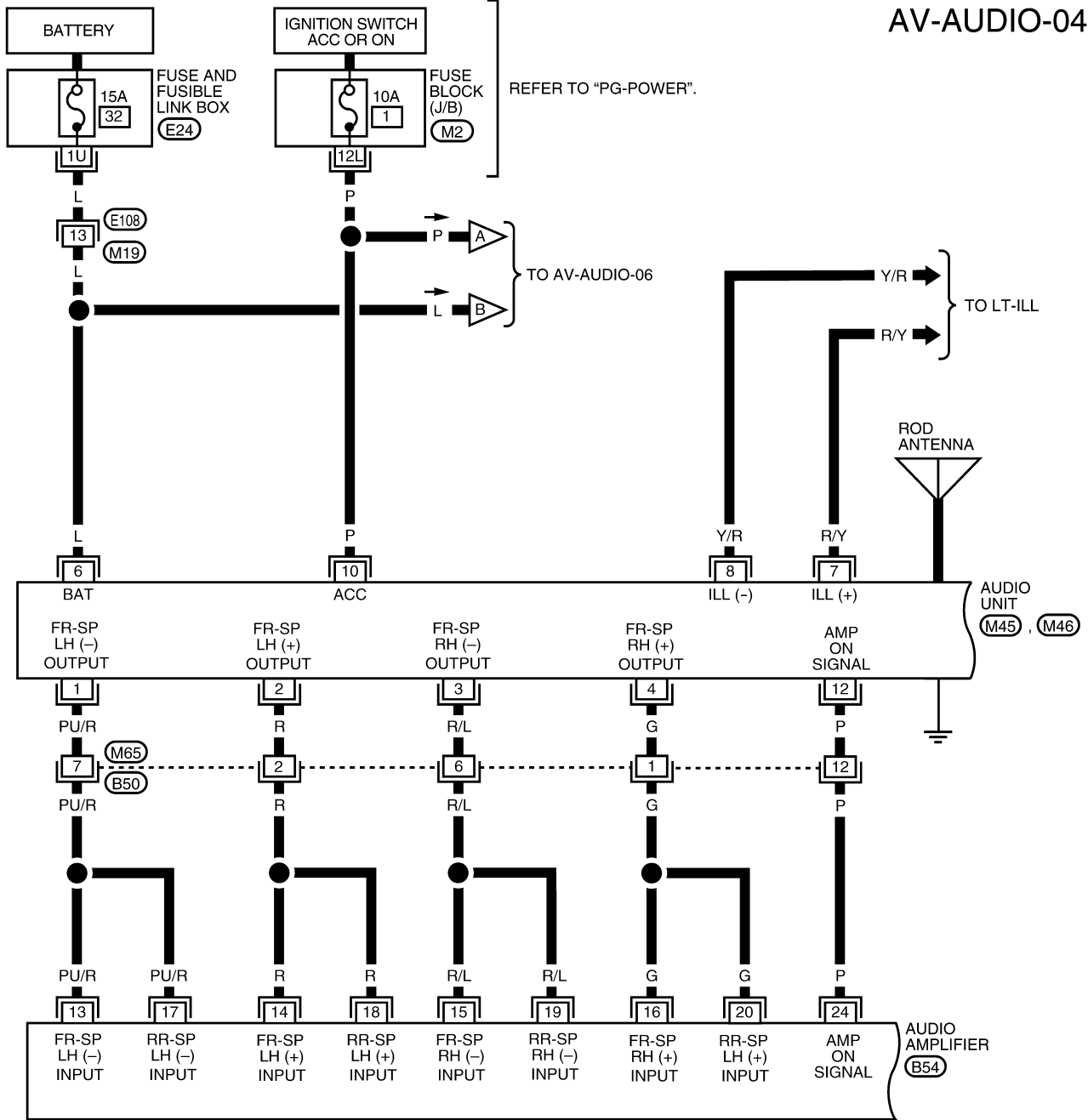


# AUDIO

## Wiring Diagram — AUDIO — /Premium System

EKS003AK

AV-AUDIO-04

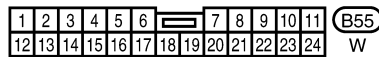
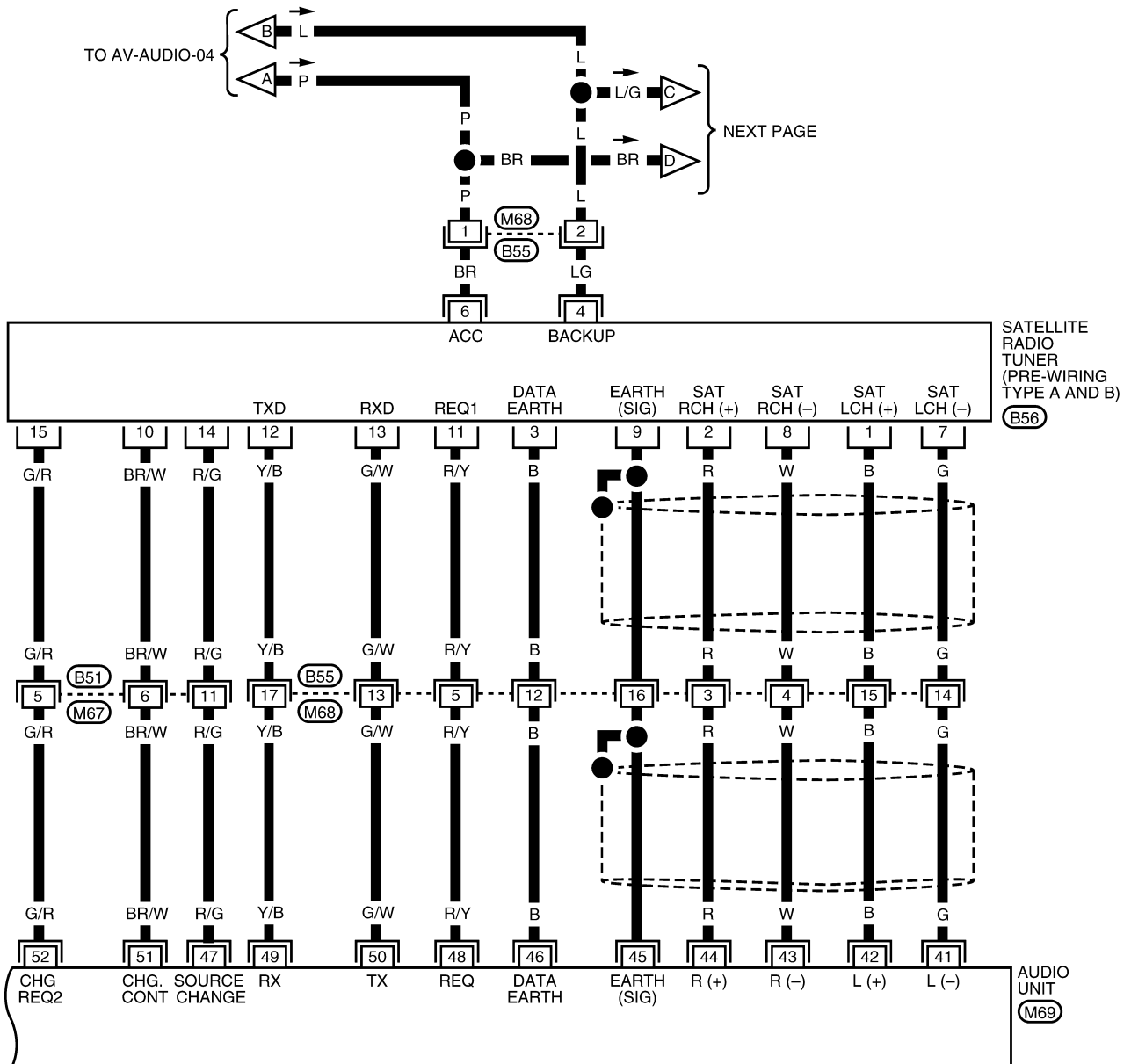


WKWA3607E



# AUDIO

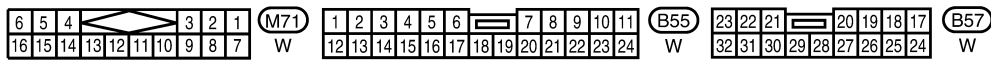
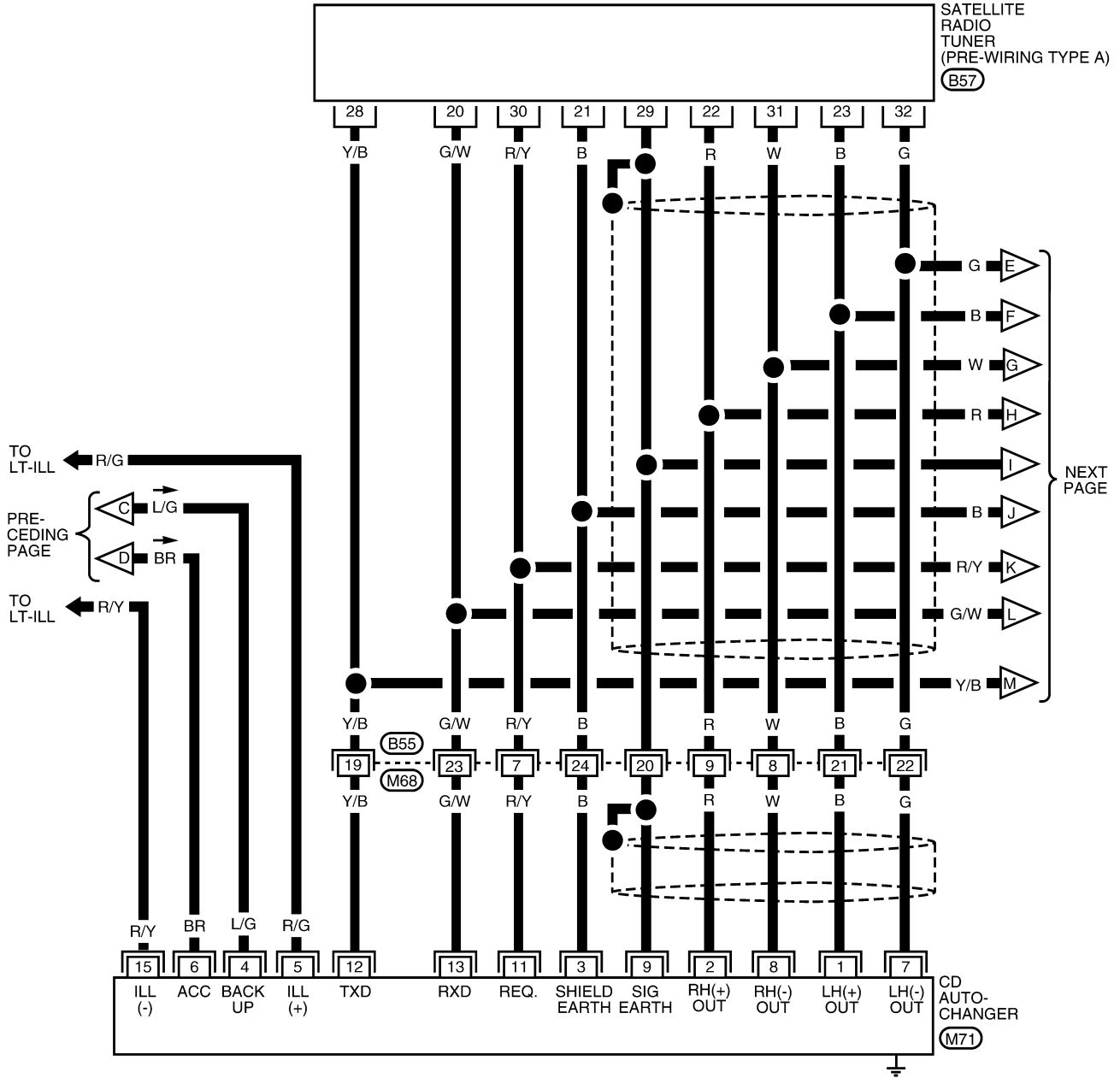
AV-AUDIO-06



WKWA3290E

# AUDIO

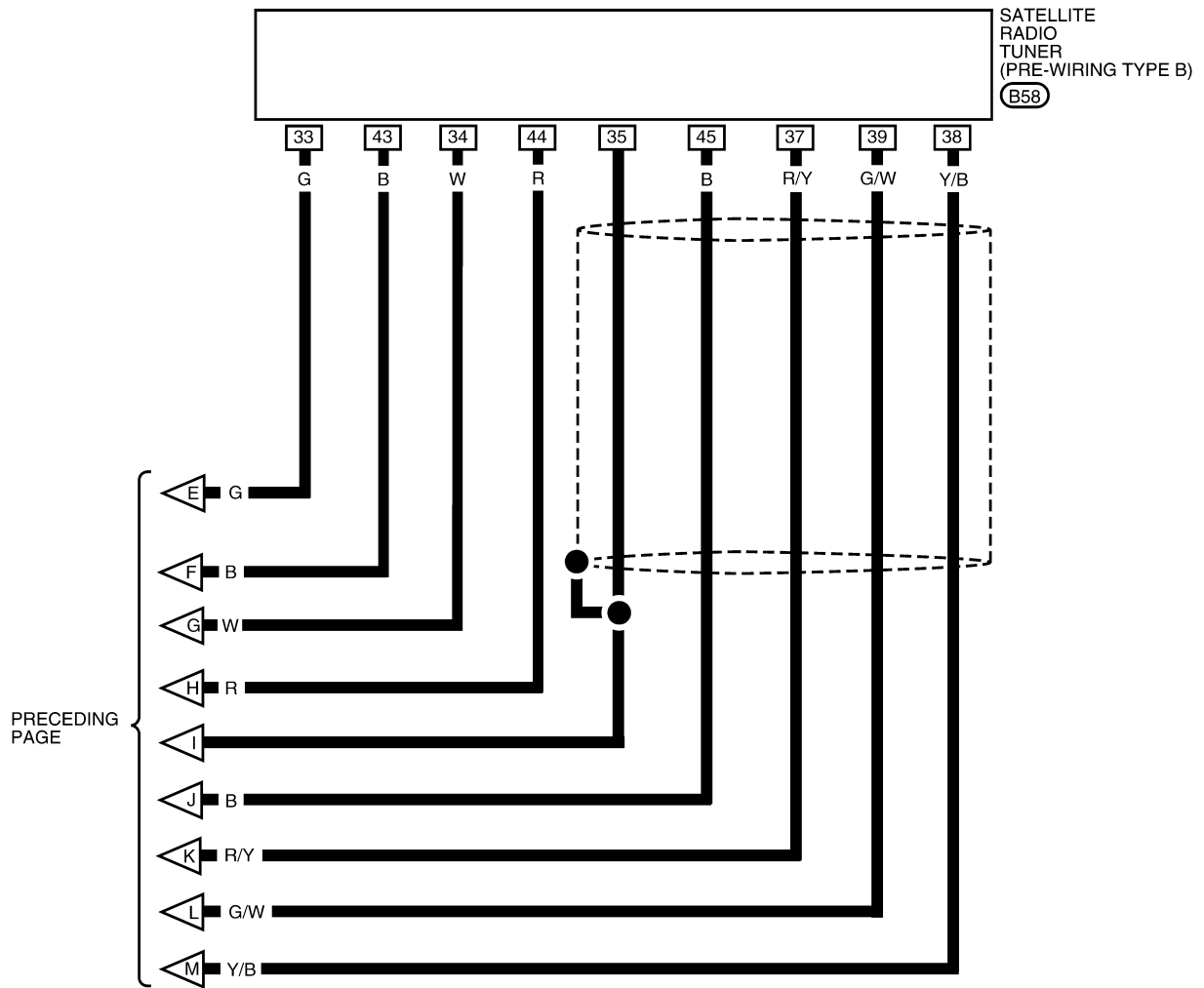
## AV-AUDIO-07



WKWA3291E

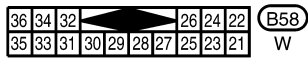
# AUDIO

AV-AUDIO-08



A  
B  
C  
D  
E  
F  
G  
H  
I  
J  
L  
M

AV



WKWA3605E

# AUDIO

## Trouble Diagnoses AUDIO UNIT

EKS003AL

Symptom	Possible causes	Repair order
Audio unit inoperative (no digital display and no sound from speakers).	<ol style="list-style-type: none"> <li>10A fuse</li> <li>Poor audio unit case ground</li> <li>Audio unit</li> </ol>	<ol style="list-style-type: none"> <li>Check 10A fuse [No. 1, located in fuse block (J/B)]. Turn ignition switch ON and verify that battery positive voltage is present at terminal 10 of audio unit.</li> <li>Check audio unit case ground.</li> <li>Remove audio unit for repair.</li> </ol>
Audio unit presets are lost when ignition switch is turned OFF.	<ol style="list-style-type: none"> <li>15A fuse</li> <li>Audio unit</li> </ol>	<ol style="list-style-type: none"> <li>Check 15A fuse [No. 32, located in fuse and fusible link box] and verify that battery positive voltage is present at terminal 6 of audio unit.</li> <li>Remove audio unit for repair.</li> </ol>
AM/FM stations are weak or noisy.	<ol style="list-style-type: none"> <li>Antenna</li> <li>Poor audio unit case ground</li> <li>Audio unit</li> </ol>	<ol style="list-style-type: none"> <li>Check antenna.</li> <li>Check audio unit case ground.</li> <li>Remove audio unit for repair.</li> </ol>
Audio unit generates noise in AM and FM modes with engine running.	<ol style="list-style-type: none"> <li>Poor audio unit case ground</li> <li>Loose or missing ground bonding straps</li> <li>Ignition condenser or rear window defogger noise suppressor condenser</li> <li>Ignition coil(s)</li> <li>Audio unit</li> </ol>	<ol style="list-style-type: none"> <li>Check audio unit case ground.</li> <li>Check ground bonding straps.</li> <li>Replace ignition condenser or rear window defogger noise suppressor condenser.</li> <li>Check ignition coil(s).</li> <li>Remove audio unit for repair.</li> </ol>
Audio unit generates noise in AM and FM modes with accessories on (switch pops and motor noise).	<ol style="list-style-type: none"> <li>Poor audio unit case ground</li> <li>Antenna</li> <li>Accessory ground</li> <li>Faulty accessory</li> </ol>	<ol style="list-style-type: none"> <li>Check audio unit case ground.</li> <li>Check antenna.</li> <li>Check accessory ground.</li> <li>Replace accessory.</li> </ol>

## BASE AND MID LEVEL SYSTEM

Symptom	Possible causes	Repair order
Individual speaker is noisy or inoperative.	<ol style="list-style-type: none"> <li>Speaker</li> <li>Audio unit output</li> <li>Speaker circuit</li> <li>Audio unit</li> </ol>	<ol style="list-style-type: none"> <li>Check speaker.</li> <li>Check audio unit output voltages.</li> <li>Check circuits for open or short between the audio unit and the speaker.</li> <li>Remove audio unit for repair.</li> </ol>
Audio unit controls are operational, but no sound is heard from any speaker.	<ol style="list-style-type: none"> <li>Speaker</li> <li>Speaker circuit</li> <li>Audio unit</li> </ol>	<ol style="list-style-type: none"> <li>Check speaker.</li> <li>Check circuits for open or short between the audio unit and the speaker.</li> <li>Remove audio unit for repair.</li> </ol>

# AUDIO

## PREMIUM SYSTEM

Symptom	Possible causes	Repair order
Audio unit controls are operational, but no sound is heard from any speaker.	<ol style="list-style-type: none"> <li>20A fuse</li> <li>Amp. ON/OFF signal circuit</li> <li>Audio amplifier ground</li> <li>Audio unit</li> <li>Audio amplifier</li> </ol>	<ol style="list-style-type: none"> <li>Check 20A fuse (No. 42, located in fuse and fusible link box). Verify that battery positive voltage is present at audio amplifier terminals 1 and 2.</li> <li>Check harness continuity between audio unit terminal 12 and audio amplifier terminal 24.</li> <li>Check harness continuity between audio amplifier terminals 3 and 4 and ground.</li> <li>Remove audio unit for repair.</li> <li>Remove audio amplifier for repair.</li> </ol>
Individual speaker is noisy or inoperative.	<ol style="list-style-type: none"> <li>Speaker</li> <li>Output circuit to individual speaker</li> <li>Audio unit</li> <li>Audio amplifier</li> </ol>	<ol style="list-style-type: none"> <li>Check speaker.</li> <li>Check the output circuits to individual speaker                             <ul style="list-style-type: none"> <li>between audio unit and audio amplifier.</li> <li>between audio amplifier and speaker.</li> </ul> </li> <li>Remove audio unit for repair.</li> <li>Remove audio amplifier for repair.</li> </ol>
Subwoofer does not operate.	<ol style="list-style-type: none"> <li>Output circuit to subwoofer</li> <li>Subwoofer</li> <li>Audio amplifier</li> </ol>	<ol style="list-style-type: none"> <li>Check circuits for open or short between the audio amplifier and the subwoofer.</li> <li>Check subwoofer.</li> <li>Remove audio amplifier for repair.</li> </ol>

## CD AUTOCHANGER

Symptom	Possible causes	Repair order
CD autochanger is inoperative.	<ol style="list-style-type: none"> <li>10A fuse</li> <li>Poor CD autochanger case ground</li> <li>CD autochanger</li> </ol>	<ol style="list-style-type: none"> <li>Check 10A fuse [No. 1, located in fuse block (J/B)]. Turn the ignition switch ON and verify that battery positive voltage is present at terminal 6 of the CD autochanger.</li> <li>Check CD autochanger case ground.</li> <li>Remove CD autochanger for repair.</li> </ol>
CD autochanger controls are operational, but no sound is heard from any speaker.	<ol style="list-style-type: none"> <li>Audio output circuits</li> <li>CD autochanger</li> </ol>	<ol style="list-style-type: none"> <li>Check circuits for open or short between the CD autochanger and the audio unit.</li> <li>Remove CD autochanger for repair.</li> </ol>
The sound skips, stops suddenly, or is distorted.	<ol style="list-style-type: none"> <li>Dirt, damage, or water on disc</li> <li>CD autochanger</li> </ol>	<ol style="list-style-type: none"> <li>Inspect disc for dirt, damage, or water.</li> <li>Remove CD autochanger for repair.</li> </ol>

## Inspection AUDIO UNIT

EKS003AM

All voltage inspections are made with:

- Ignition switch ON or ACC
- Audio unit ON
- Audio unit connected (If audio unit is removed for inspection, supply a ground to the case using a jumper wire.)

## ANTENNA

Using a jumper wire, clip an auxiliary ground between antenna and body.

- If reception improves, check antenna ground (at body surface).
- If reception does not improve, check main feeder cable for short circuit or open circuit.

# AUDIO

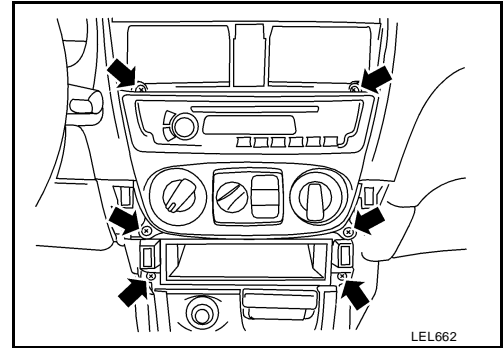
## CD Autochanger (If Equipped) Removal and Installation

EKS003AN

### CAUTION:

Prior to removing a malfunctioning CD autochanger to be shipped for repair, the changer mechanism **MUST BE LOCKED** to prevent the mechanism from being damaged during shipping. Refer to [AV-16, "LOCKING CD AUTOCHANGER MECHANISM"](#).

1. Remove upper cluster lid C by firmly grasping and carefully pulling rearward from instrument panel.
2. Remove lower cluster lid C by firmly grasping and carefully pulling rearward from instrument panel. Refer to [IP-10, "Removal and Installation"](#).
3. Remove six screws and remove audio unit and storage bin or CD autochanger (if equipped) as an assembly.



4. Disconnect audio unit connectors and CD autochanger connectors (if equipped).

### CAUTION:

Be sure to disconnect the harness connectors before disconnecting the antenna connector or damage may result to audio unit.

5. Release two tabs using a screwdriver and carefully remove heater A/C control bezel from audio unit face plate.

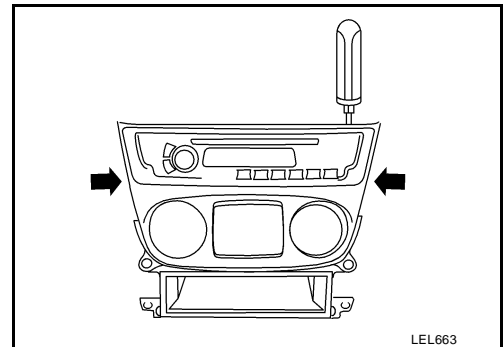
### CAUTION:

Do not pry or forcibly remove heater A/C control bezel from audio unit face plate or audio unit damage could result.

6. Remove brackets from audio unit and CD autochanger (if equipped).
7. Install in reverse order of removal.

### CAUTION:

Be sure to connect the antenna connector before connecting the harness connectors or damage may result to audio unit.



## LOCKING CD AUTOCHANGER MECHANISM

### CAUTION:

- Prior to removing a malfunctioning CD autochanger to be shipped for repair, the changer mechanism **MUST BE LOCKED** to prevent the mechanism from being damaged during shipping.
- If a CD is jammed or unable to be removed from the CD autochanger, do **NOT** lock the changer mechanism. If the CD autochanger is to be shipped for repair, carefully package the CD autochanger to prevent vibration and shock.

1. Eject and remove any CDs from the CD autochanger unit.
2. Turn ignition switch OFF. Wait until CD autochanger display is off and mechanism stops moving (mechanism sound stops).
3. Press any one of the disc selection buttons once. When a display shows on the CD autochanger unit, press the same disc selection button again within 5 seconds.
  - The changer mechanism will lock itself within 10 seconds.
4. After mechanism stops moving (mechanism sound stops), disconnect the CD autochanger connectors.
5. Remove the CD autochanger unit.

### NOTE:

After installing a new or remanufactured CD autochanger unit, switching the CD autochanger ON will automatically unlock the mechanism. A special unlocking procedure is not required.

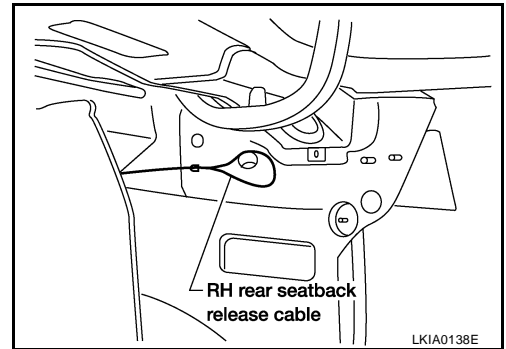


# AUDIO

## Subwoofer (With Premium Audio System) Removal and Installation

EKS003KW

1. Partially remove RH trunk room trim. Refer to [EI-33, "Removal and Installation"](#).
2. Pull cable to release RH rear seat back.
3. Remove rear seat bottom. Refer to [SE-5, "Removal and Installation"](#).

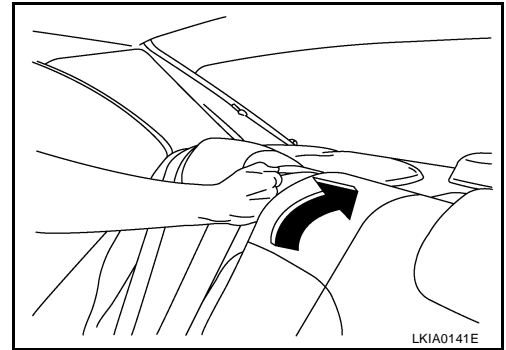


4. Fold RH rear seatback forward.

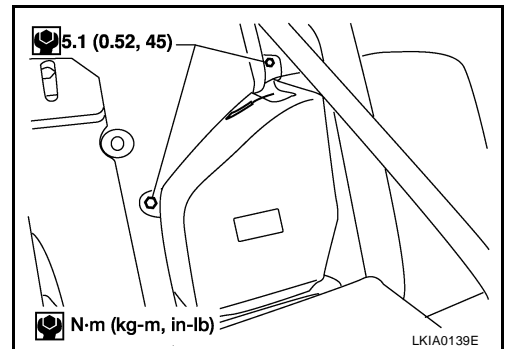
**NOTE:**

When using the fold down rear seatback, the rear center seat belt retractor may lock up and prevent folding down the seatback.

If the rear center seat belt retractor has inadvertently locked up, push the seat belt webbing toward the retractor as shown. This will unlock the seat belt retractor and allow the rear seatback to fold down.



5. Remove 2 upper subwoofer bolts.
6. Disconnect subwoofer connector.

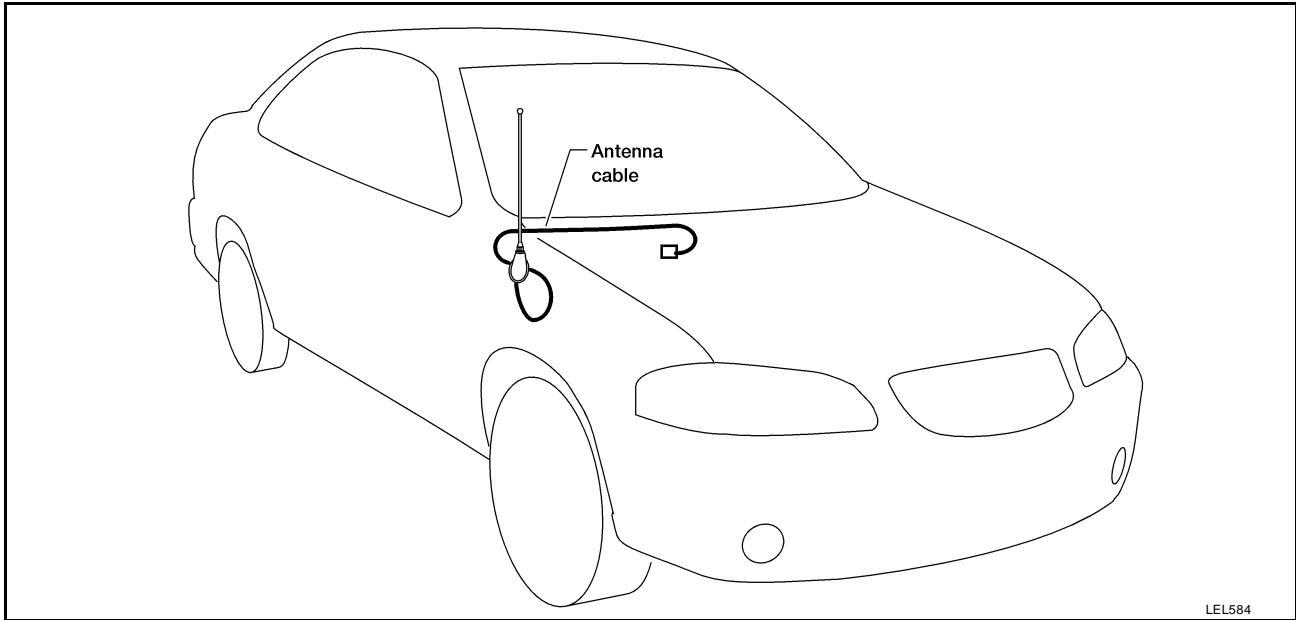


7. Remove 2 bolts from rear seatback center hinge. Refer to [SE-5, "Removal and Installation"](#).
8. Remove subwoofer through trunk.
9. Install in reverse order of removal.

# AUDIO

## Location of Antenna

EKS003A0



## Antenna Removal and Installation

EKS003KX

