

SECTION **RAX**
REAR AXLE

A
B
C

RAX

CONTENTS

E

PREPARATION	2	REAR WHEEL BEARING INSPECTION	4	F
Commercial Service Tools	2	Removal and Installation	4	
NOISE, VIBRATION AND HARSHNESS (NVH)		COMPONENTS	4	
TROUBLESHOOTING	3	REMOVAL	4	G
NVH Troubleshooting Chart	3	INSPECTION AFTER REMOVAL	5	
WHEEL HUB	4	INSTALLATION	5	
On-Vehicle Inspection and Service	4	SERVICE DATA AND SPECIFICATIONS (SDS)	6	H
		Wheel Bearing	6	

I

J

K

L

M

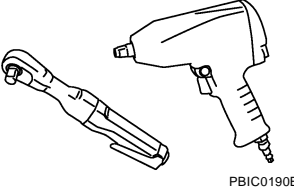
PREPARATION

PREPARATION

PF0:00002

Commercial Service Tools

EDS00477

Tool name	Description
<p data-bbox="191 394 300 422">Power tool</p>  <p data-bbox="852 499 917 514">PBIC0190E</p>	<p data-bbox="1003 394 1218 422">Removing wheel nuts</p>

NOISE, VIBRATION AND HARSHNESS (NVH) TROUBLESHOOTING

NOISE, VIBRATION AND HARSHNESS (NVH) TROUBLESHOOTING

PF0:00003

NVH Troubleshooting Chart

EDS00478

Use chart below to help you find the cause of the symptom. If necessary, repair or replace these parts.

Reference page			RAX-4	RAX-4	RAX-3	RSU-4, "NVH Troubleshooting Chart"	WT-4, "NVH Troubleshooting Chart"	WT-4, "NVH Troubleshooting Chart"	BR-5, "NVH Troubleshooting Chart"	PS-5, "NVH Trouble Shooting Chart"
Possible cause and SUSPECTED PARTS			Improper installation, looseness	Wheel bearing damage	Rear axle	REAR SUSPENSION	TIRES	ROAD WHEEL	BRAKES	STEERING
Symptom	REAR AXLE	Noise	x	x	x	x	x	x	x	x
		Shake	x		x	x	x	x	x	x
		Vibration	x	x	x	x	x	x		x
		Shimmy	x		x	x	x	x	x	x
		Judder	x		x	x	x	x	x	x
		Poor quality ride or handling	x	x	x	x	x	x		x

x: Applicable

A
B
C
RAX
E
F
G
H
I
J
K
L
M

WHEEL HUB

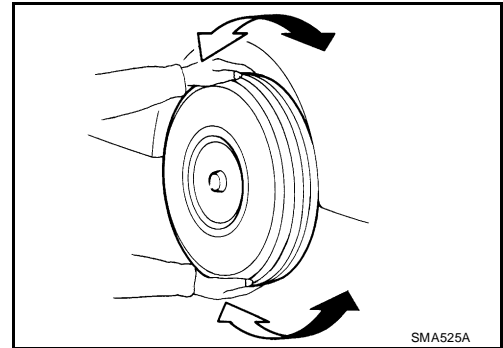
WHEEL HUB

PFP:43202

On-Vehicle Inspection and Service

EDS00479

- Check the axle and suspension parts for excessive play, wear, or damage.
- Shake each rear wheel to check for excessive play as shown.



REAR WHEEL BEARING INSPECTION

- Move wheel hub and bearing assembly in the axial direction by hand. Make sure the axial end play is within specification.

Axial end play : 0.05 mm (0.002 in) or less

- Check that the wheel hub bearing operates smoothly.
- Replace the wheel hub assembly if the axial end play exceeds specification, or if the wheel bearing does not turn smoothly. Refer to [RAX-4, "Removal and Installation"](#).

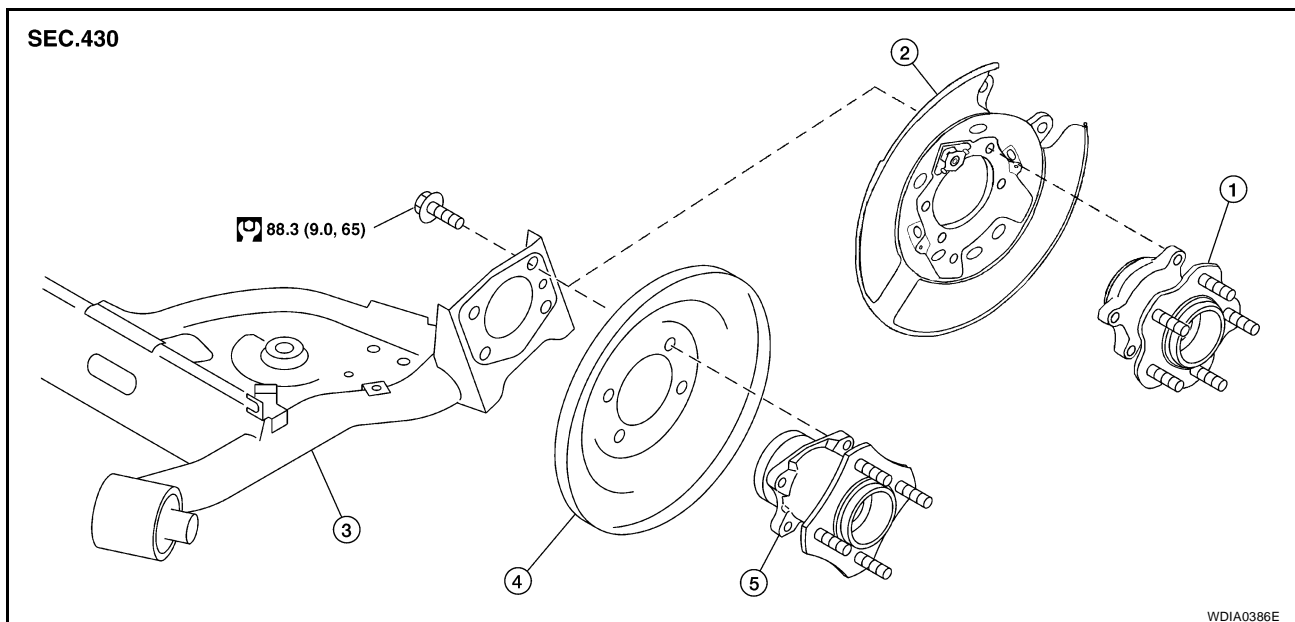
CAUTION:

The wheel hub assembly does not require maintenance. If any of the following symptoms are noted, replace the wheel hub assembly.

- Growling noise is emitted from the wheel hub bearing during operation.
- Wheel hub bearing drags or turns roughly.

Removal and Installation COMPONENTS

EDS0047A



1. Wheel hub and bearing assembly (disc brake)
2. Baffle plate
3. Rear suspension beam
4. Back plate
5. Wheel hub and bearing assembly (drum brake)

REMOVAL

1. Remove rear tires using power tool.

WHEEL HUB

2. Remove wheel sensor from wheel hub and bearing assembly, if equipped. Refer to [BRC-31, "WHEEL SENSORS"](#) .

CAUTION:

Do not pull on wheel sensor harness.

3. Remove the brake assembly. Refer to [BR-37, "Removal and Installation of Drum Brake Assembly"](#) or [BR-30, "Removal and Installation of Caliper Assembly"](#) .

4. Remove wheel hub and bearing assembly bolts, and then remove wheel hub and bearing assembly.

5. Remove baffle plate or back plate, if necessary.

- a. Remove parking brake rear cable from baffle plate or back plate. Refer to [PB-4, "PARKING BRAKE CONTROL"](#) .

- b. Separate brake tube from wheel cylinder, if equipped. Refer to [BR-11, "BRAKE TUBE AND HOSE"](#) .

INSPECTION AFTER REMOVAL

Check for any deformity, cracks, or other damage on the wheel hub assembly, replace if necessary.

CAUTION:

The wheel hub assembly does not require maintenance. If any of the following symptoms are noted, replace the wheel hub assembly.

- **Growling noise is emitted from the wheel hub bearing during operation.**
- **Wheel hub bearing drags or turns roughly.**

INSTALLATION

Installation is in the reverse order of removal.

A
B
C
RAX
E
F
G
H
I
J
K
L
M

SERVICE DATA AND SPECIFICATIONS (SDS)

SERVICE DATA AND SPECIFICATIONS (SDS)

PF:00030

Wheel Bearing

EDS0047B

Axial end play	0.05 mm (0.002 in) or less
----------------	----------------------------
