

SECTION **WW**

WIPER, WASHER & HORN

A
B
C
D
E
F
G
H
I
J
L
M
N
O
P

CONTENTS

<p>SERVICE INFORMATION 2</p> <p>PRECAUTION 2</p> <p style="padding-left: 20px;">Precaution for Supplemental Restraint System (SRS) "AIR BAG" and "SEAT BELT PRE-TENSIONER"2</p> <p style="padding-left: 20px;">Precaution for Procedure without Cowl Top Cover.....2</p> <p style="padding-left: 20px;">Precaution Necessary for Steering Wheel Rotation After Battery Disconnect2</p> <p>FRONT WIPER AND WASHER SYSTEM 4</p> <p style="padding-left: 20px;">Component Parts and Harness Connector Location4</p> <p style="padding-left: 20px;">System Description4</p> <p style="padding-left: 20px;">CAN Communication System Description6</p> <p style="padding-left: 20px;">Schematic7</p> <p style="padding-left: 20px;">Wiring Diagram - WIPER -8</p> <p style="padding-left: 20px;">Terminal and Reference Value for BCM 10</p> <p style="padding-left: 20px;">Terminal and Reference Value for IPDM E/R 10</p> <p style="padding-left: 20px;">Work Flow 11</p> <p style="padding-left: 20px;">CONSULT-III Function (BCM) 11</p> <p style="padding-left: 20px;">CONSULT-III Function (IPDM E/R) 12</p> <p style="padding-left: 20px;">BCM Power and Ground Circuit Inspection 12</p> <p style="padding-left: 20px;">IPDM E/R Power/Ground Circuit Inspection 12</p> <p style="padding-left: 20px;">Front Wiper Does Not Operate 12</p> <p style="padding-left: 20px;">Front Wiper Does Not Return to Stop Position (After Front Wiper Operates for 10 Seconds, They Stop for 20 Seconds, and After Repeating the Operation Five Times, They Become Inoperative) 14</p>	<p style="padding-left: 20px;">Only Front Wiper Low Does Not Operate15</p> <p style="padding-left: 20px;">Only Front Wiper HI Does Not Operate16</p> <p style="padding-left: 20px;">Only Front Wiper Intermittent Does Not Operate18</p> <p style="padding-left: 20px;">Front Wiper Intermittent Operation Switch Position Cannot Be Adjusted18</p> <p style="padding-left: 20px;">Wiper Does Not Wipe When Front Washer Operates18</p> <p style="padding-left: 20px;">Front Wiper Does Not Stop18</p> <p style="padding-left: 20px;">Removal and Installation of Front Wiper Arms18</p> <p style="padding-left: 20px;">Adjustment of Wiper Arm Stop Location19</p> <p style="padding-left: 20px;">Removal and Installation of Front Wiper Drive Assembly20</p> <p style="padding-left: 20px;">Removal and Installation of Front Washer Nozzle...21</p> <p style="padding-left: 20px;">Washer Tube Layout21</p> <p style="padding-left: 20px;">Removal and Installation of Front Wiper and Washer Switch21</p> <p style="padding-left: 20px;">Inspection of Front Wiper and Washer Switch Circuit22</p> <p style="padding-left: 20px;">Removal and Installation of Washer Fluid Reservoir22</p> <p style="padding-left: 20px;">Removal and Installation of Front Washer Motor22</p> <p>POWER SOCKET 24</p> <p style="padding-left: 20px;">Wiring Diagram - P/SCKT -24</p> <p style="padding-left: 20px;">Removal and Installation26</p> <p>HORN 27</p> <p style="padding-left: 20px;">Wiring Diagram - HORN -27</p> <p style="padding-left: 20px;">Removal and Installation27</p>
--	---

WW

PRECAUTION

< SERVICE INFORMATION >

SERVICE INFORMATION

PRECAUTION

Precaution for Supplemental Restraint System (SRS) "AIR BAG" and "SEAT BELT PRE-TENSIONER"

INFOID:000000004780827

The Supplemental Restraint System such as "AIR BAG" and "SEAT BELT PRE-TENSIONER", used along with a front seat belt, helps to reduce the risk or severity of injury to the driver and front passenger for certain types of collision. This system includes seat belt switch inputs and dual stage front air bag modules. The SRS system uses the seat belt switches to determine the front air bag deployment, and may only deploy one front air bag, depending on the severity of a collision and whether the front occupants are belted or unbelted. Information necessary to service the system safely is included in the SRS and SB section of this Service Manual.

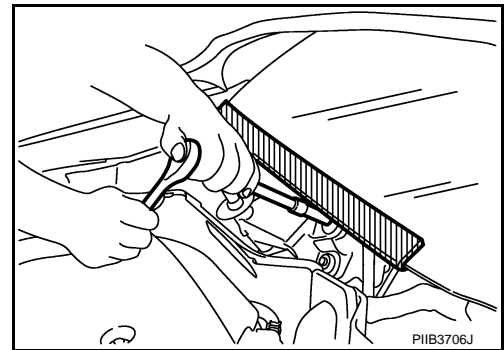
WARNING:

- To avoid rendering the SRS inoperative, which could increase the risk of personal injury or death in the event of a collision which would result in air bag inflation, all maintenance must be performed by an authorized NISSAN/INFINITI dealer.
- Improper maintenance, including incorrect removal and installation of the SRS can lead to personal injury caused by unintentional activation of the system. For removal of Spiral Cable and Air Bag Module, see the SRS section.
- Do not use electrical test equipment on any circuit related to the SRS unless instructed to in this Service Manual. SRS wiring harnesses can be identified by yellow and/or orange harnesses or harness connectors.
- When working near the Airbag Diagnosis Sensor Unit or other Airbag System sensors with the Ignition ON or engine running, DO NOT use air or electric power tools or strike near the sensor(s) with a hammer. Heavy vibration could activate the sensor(s) and deploy the air bag(s), possibly causing serious injury.
- When using air or electric power tools or hammers, always switch the Ignition OFF, disconnect the battery, and wait at least 3 minutes before performing any service.

Precaution for Procedure without Cowl Top Cover

INFOID:000000004409222

When performing the procedure after removing cowl top cover, cover the lower end of windshield with urethane, etc.



Precaution Necessary for Steering Wheel Rotation After Battery Disconnect

INFOID:000000004732579

NOTE:

- This Procedure is applied only to models with Intelligent Key system and NATS (NISSAN ANTI-THEFT SYSTEM).
- Remove and install all control units after disconnecting both battery cables with the ignition knob in the "LOCK" position.
- Always use CONSULT-III to perform self-diagnosis as a part of each function inspection after finishing work. If DTC is detected, perform trouble diagnosis according to self-diagnostic results.

For models equipped with the Intelligent Key system and NATS, an electrically controlled steering lock mechanism is adopted on the key cylinder.

For this reason, if the battery is disconnected or if the battery is discharged, the steering wheel will lock and steering wheel rotation will become impossible.

If steering wheel rotation is required when battery power is interrupted, follow the procedure below before starting the repair operation.

PRECAUTION

< SERVICE INFORMATION >

OPERATION PROCEDURE

1. Connect both battery cables. A
NOTE:
Supply power using jumper cables if battery is discharged.
2. Use the Intelligent Key or mechanical key to turn the ignition switch to the "ACC" position. At this time, the steering lock will be released. B
3. Disconnect both battery cables. The steering lock will remain released and the steering wheel can be rotated. C
4. Perform the necessary repair operation.
5. When the repair work is completed, return the ignition switch to the "LOCK" position before connecting the battery cables. (At this time, the steering lock mechanism will engage.) D
6. Perform a self-diagnosis check of all control units using CONSULT-III. E

WW

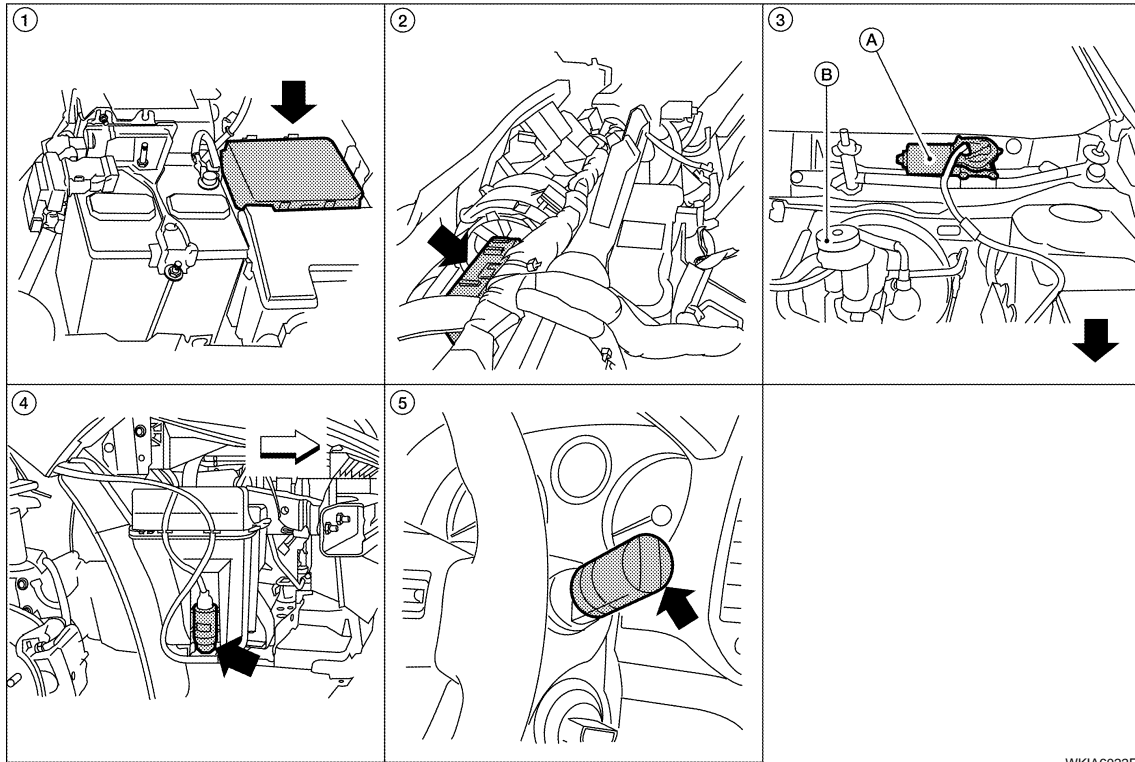
FRONT WIPER AND WASHER SYSTEM

< SERVICE INFORMATION >

FRONT WIPER AND WASHER SYSTEM

Component Parts and Harness Connector Location

INFOID:000000004409223



WKIA6022E

1. IPDM E/R E45, E46 and E48
2. BCM M18 and M20 (view with instrument panel removed)
3. A. Front wiper motor E1 (view with engine cover and cowl top cover removed)
B. Brake master cylinder
4. Front washer motor E2 (view with front bumper fascia removed)
5. Combination switch (wiper switch) M28

System Description

INFOID:000000004409224

- Front wiper relays (front wiper relay, front wiper high relay) are located in the IPDM E/R (intelligent power distribution module engine room).
- Wiper switch (combination switch) is composed of a combination of 5 output terminals and 5 input terminals. Terminal combination status is read by BCM (body control module) when switch is turned ON.
- BCM controls front wiper LO, HI, and INT (intermittent) operation.
- IPDM E/R operates wiper motor according to CAN communication signals from BCM.

OUTLINE

Power is supplied at all times

- to ignition relay, located in IPDM E/R, from battery directly,
- through 50A fusible link (letter j, located in fuse and fusible link box)
- to BCM terminal 70
- through 30A fuse (No. 39, located in IPDM E/R)
- to front wiper relay located in IPDM E/R
- through 15A fuse (No. 52, located in IPDM E/R) and
- through 20A fuse (No. 53, located in IPDM E/R)
- to CPU located in IPDM E/R.

When ignition switch is in ON or START position, power is supplied

- through ignition relay (located in IPDM E/R)
- to front wiper relay (located in IPDM E/R) and

FRONT WIPER AND WASHER SYSTEM

< SERVICE INFORMATION >

- to front wiper high relay (located in IPDM E/R) and
- to CPU (located in IPDM E/R)
- through 10A fuse [No. 12, located in fuse block (J/B)]
- to BCM terminal 38
- through 10A fuse [No. 15, located in fuse block (J/B)]
- to combination switch terminal 14.

Ground is supplied

- to IPDM E/R terminals 39 and 59 and
- to front wiper motor terminal 2
- through grounds E9, E15 (all models) and E24 (with MR20DE)
- to BCM terminal 67
- through grounds M57 and M61.

LO SPEED WIPER OPERATION

When the front wiper switch is in LO position, the BCM detects the low speed wiper ON signal by means of the BCM wiper switch reading function.

The BCM sends a front wiper request signal (LO) through the CAN communication lines

- from BCM terminals 39 and 40
- to IPDM E/R terminals 40 and 41.

When the IPDM E/R receives front wiper request signal (LO), it turns ON front wiper relay, located in IPDM E/R, power is supplied

- through IPDM E/R terminal 33 and front wiper high relay and front wiper relay
- to front wiper motor terminal 1.

Ground is supplied

- to front wiper motor terminal 2
- through grounds E9, E15 (all models) and E24 (with MR20DE).

With power and ground supplied, front wiper motor operates at low speed.

HI SPEED WIPER OPERATION

When the front wiper switch is in HI position, the BCM detects a high speed wiper ON signal by means of the BCM wiper switch reading function.

The BCM sends a front wiper request signal (HI) through the CAN communication lines

- from BCM terminals 39 and 40
- to IPDM E/R terminals 40 and 41.

When the IPDM E/R receives front wiper request signal (HI), it turns ON front wiper relay and front wiper high relay, located in IPDM E/R, power is supplied

- through IPDM E/R terminal 32
- to front wiper motor terminal 4.

Ground is supplied

- to front wiper motor terminal 2
- through grounds E9, E15 (all models) and E24 (with MR20DE).

With power and ground supplied, front wiper motor operates at high speed.

INT (INTERMITTENT) OPERATION

Wiper intermittent operation delay interval is determined from the intermittent wiper dial position inputs. During each intermittent operation delay interval, the BCM sends a front wiper request signal to the IPDM E/R to operate the wipers.

When the ignition switch is in the ON or START position, and the front wiper switch is turned to the intermittent position, the BCM detects a front wiper (intermittent) ON signal by means of the BCM wiper switch reading function.

BCM then sends front wiper (intermittent) request signal through the CAN communication lines

- from BCM terminals 39 and 40
- to IPDM E/R terminals 40 and 41.

When BCM determines that combination switch status is front wiper intermittent ON, it performs the following operations.

- BCM detects ON/OFF status of intermittent wiper dial position
- BCM calculates operation interval from wiper dial position.
- BCM sends a front wiper request signal (INT) to IPDM E/R at calculated operation interval.

When IPDM E/R receives the front wiper request signal (INT), it supplies ground to energize the front wiper relay. It then sends auto-stop signal to the BCM and conducts intermittent front wiper motor operation.

AUTO STOP OPERATION

A

B

C

D

E

F

G

H

I

J

WW

L

M

N

O

P

FRONT WIPER AND WASHER SYSTEM

< SERVICE INFORMATION >

With wiper switch turned OFF, wiper motor will continue to operate until wiper arms reach windshield base.

When the wiper arms are not located at base of windshield with wiper switch OFF, ground is supplied

- from IPDM E/R terminal 33
- to front wiper motor terminal 1, in order to continue wiper motor operation at low speed.

When the wiper arms reach base of windshield, front wiper motor terminals 5 and 2 are connected, and ground is supplied

- to IPDM E/R terminal 38
- through front wiper motor terminals 5 and 2
- through grounds E9, E15 (all models) and E24 (with MR20DE).

Then the IPDM E/R sends auto stop operation signal to BCM with CAN communication line.

When the BCM receives auto-stop operation signal, BCM sends wiper stop signal to IPDM E/R with CAN communication line.

IPDM E/R stops wiper motor. Wiper motor will then stop wiper arms at the STOP position.

WASHER OPERATION

When the wiper switch is in front wiper washer position, BCM detect front wiper washer signal by BCM wiper switch reading function. Refer to [BCS-3. "System Description"](#).

Combination switch power is supplied

- through combination switch terminal 14
- to washer motor terminal 1.

Ground is supplied

- to front washer motor terminal 2
- through grounds E9, E15 (all models) and E24 (with MR20DE).

With power and ground supplied, front washer motor is operated.

When the BCM detects that front washer motor has operated for 0.4 seconds or longer, BCM operates front wiper motor for low speed.

When the BCM detects washer switch is OFF, low speed operation cycles approximately 2 times and stops.

MIST OPERATION

When the wiper switch is pushed up to the mist position, wiper LO speed operation cycles once and then stops.

For additional information about wiper operation under this condition, refer to "LO SPEED WIPER OPERATION".

If switch is held in mist position, low speed operation continues.

FAIL-SAFE FUNCTION

If an abnormality occurs in CAN communications, IPDM E/R holds the condition just before fail-safe status is initiated until ignition switch is turned OFF. (If wipers were operating in LO just before the initiation of fail-safe status, they continue to operate in LO until ignition switch is turned OFF.)

COMBINATION SWITCH READING FUNCTION

Refer to [BCS-3. "System Description"](#).

CAN Communication System Description

Refer to [LAN-6. "System Description"](#).

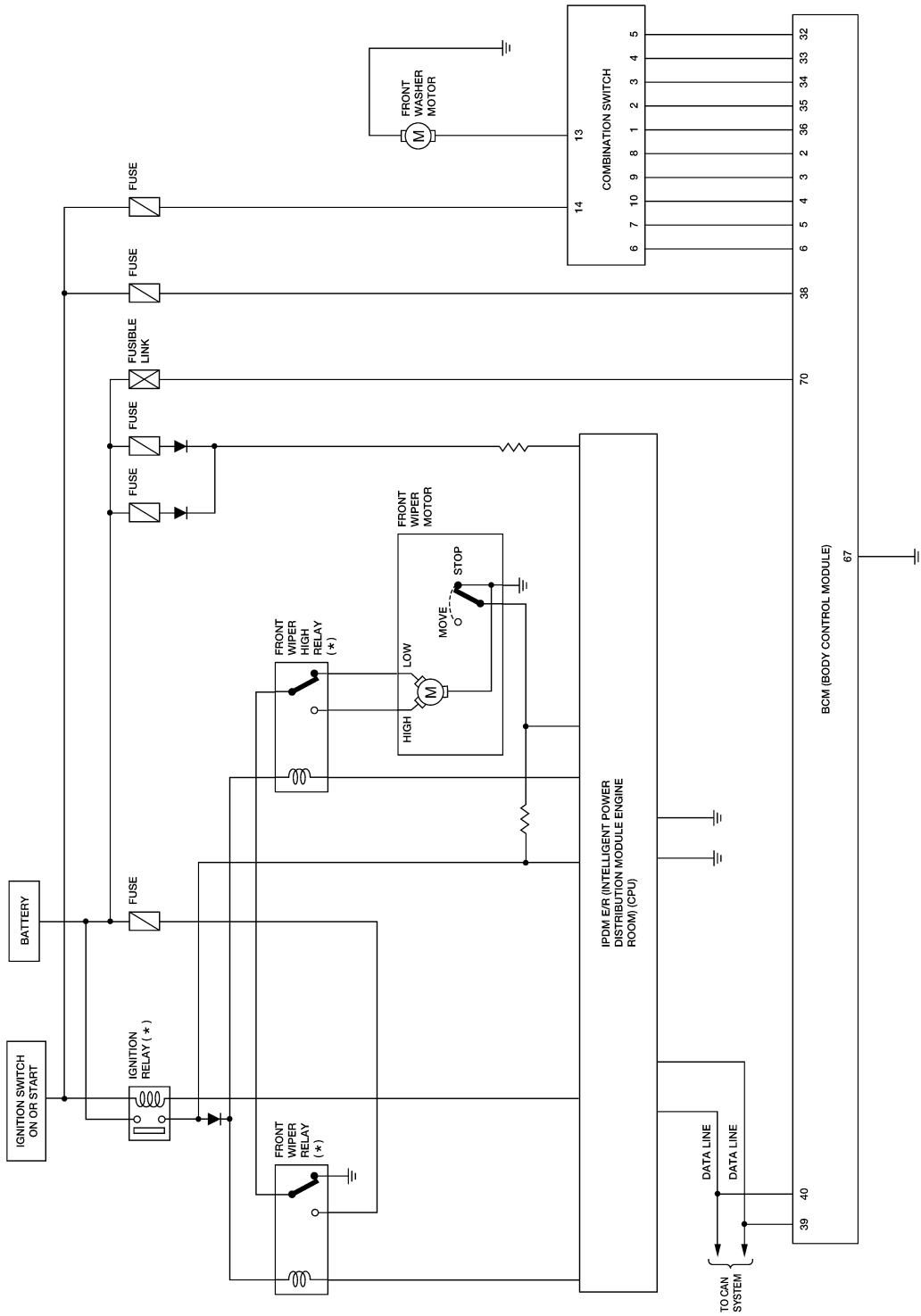
INFOID:000000004409225

FRONT WIPER AND WASHER SYSTEM

< SERVICE INFORMATION >

Schematic

INFOID:000000004409226



*: THIS RELAY IS BUILT INTO THE IPDM E/R
(INTELLIGENT POWER DISTRIBUTION MODULE ENGINE ROOM)

A
B
C
D
E
F
G
H
I
J
L
M
N
O
P



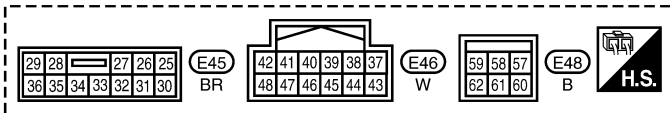
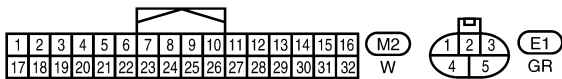
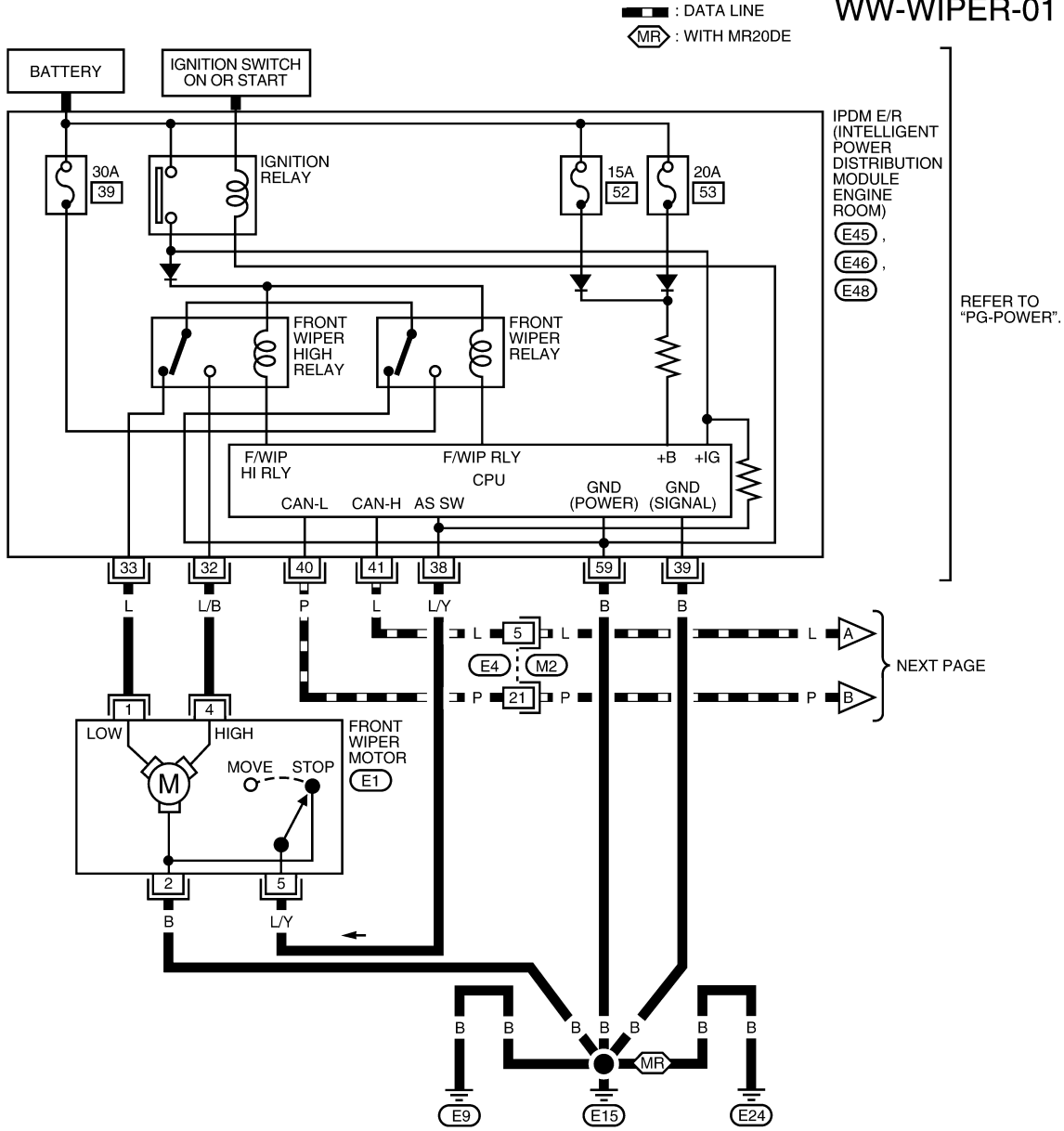
FRONT WIPER AND WASHER SYSTEM

< SERVICE INFORMATION >

Wiring Diagram - WIPER -

INFOID:00000004409227

WW-WIPER-01



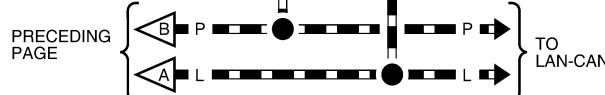
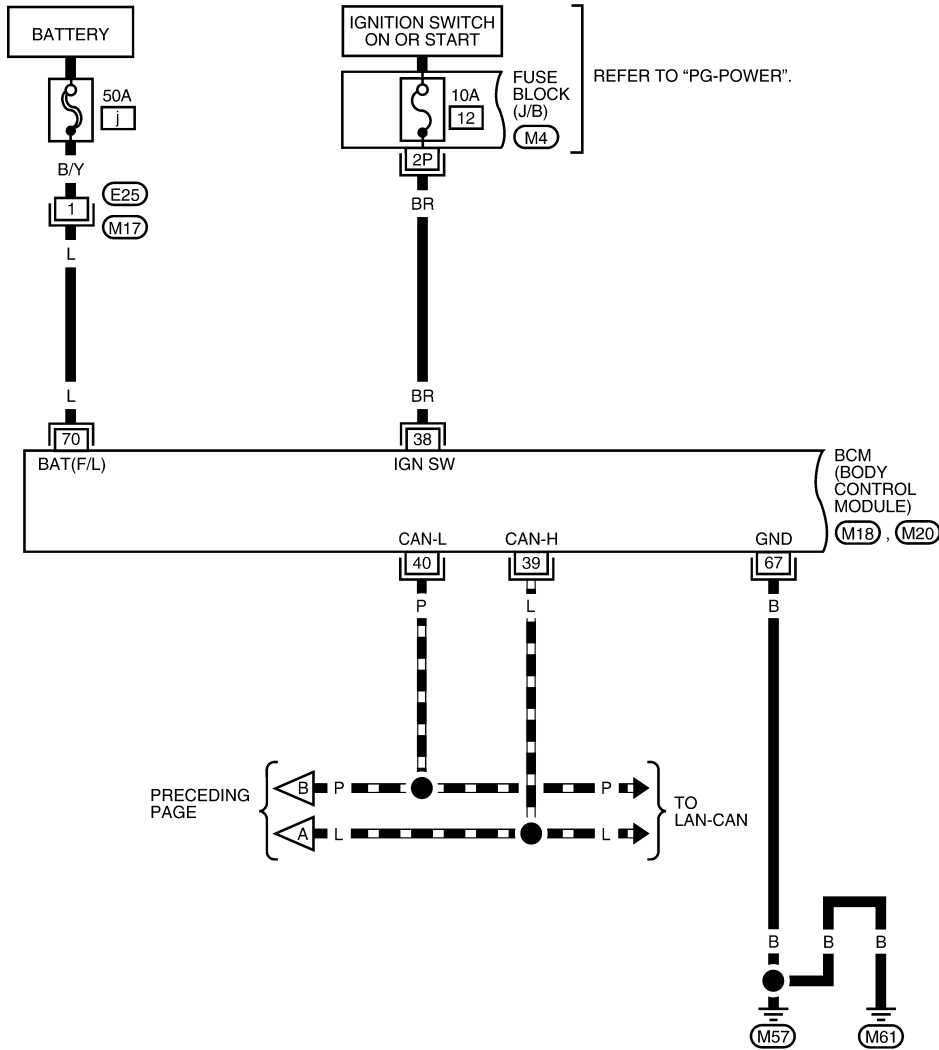
WKWA5859E

FRONT WIPER AND WASHER SYSTEM

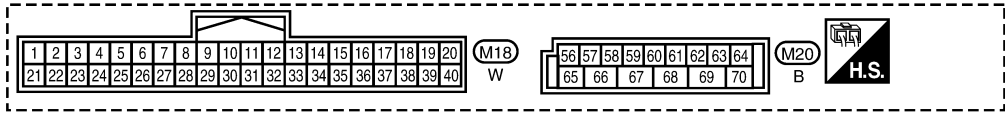
< SERVICE INFORMATION >

WW-WIPER-02

▬ : DATA LINE



1P	2P	3P	4P	5P	6P	7P	M4	1	M17
8P	9P	10P	11P	12P	13P	14P	15P	16P	W
								2	3
									W



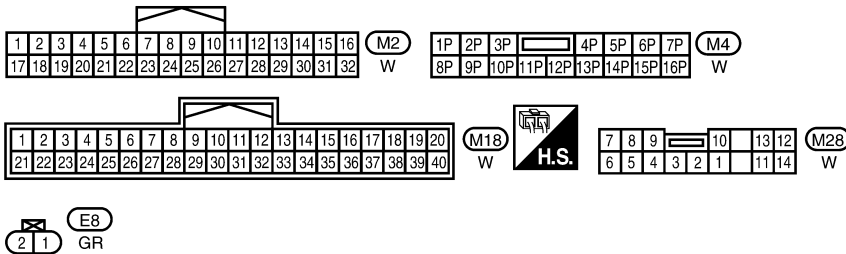
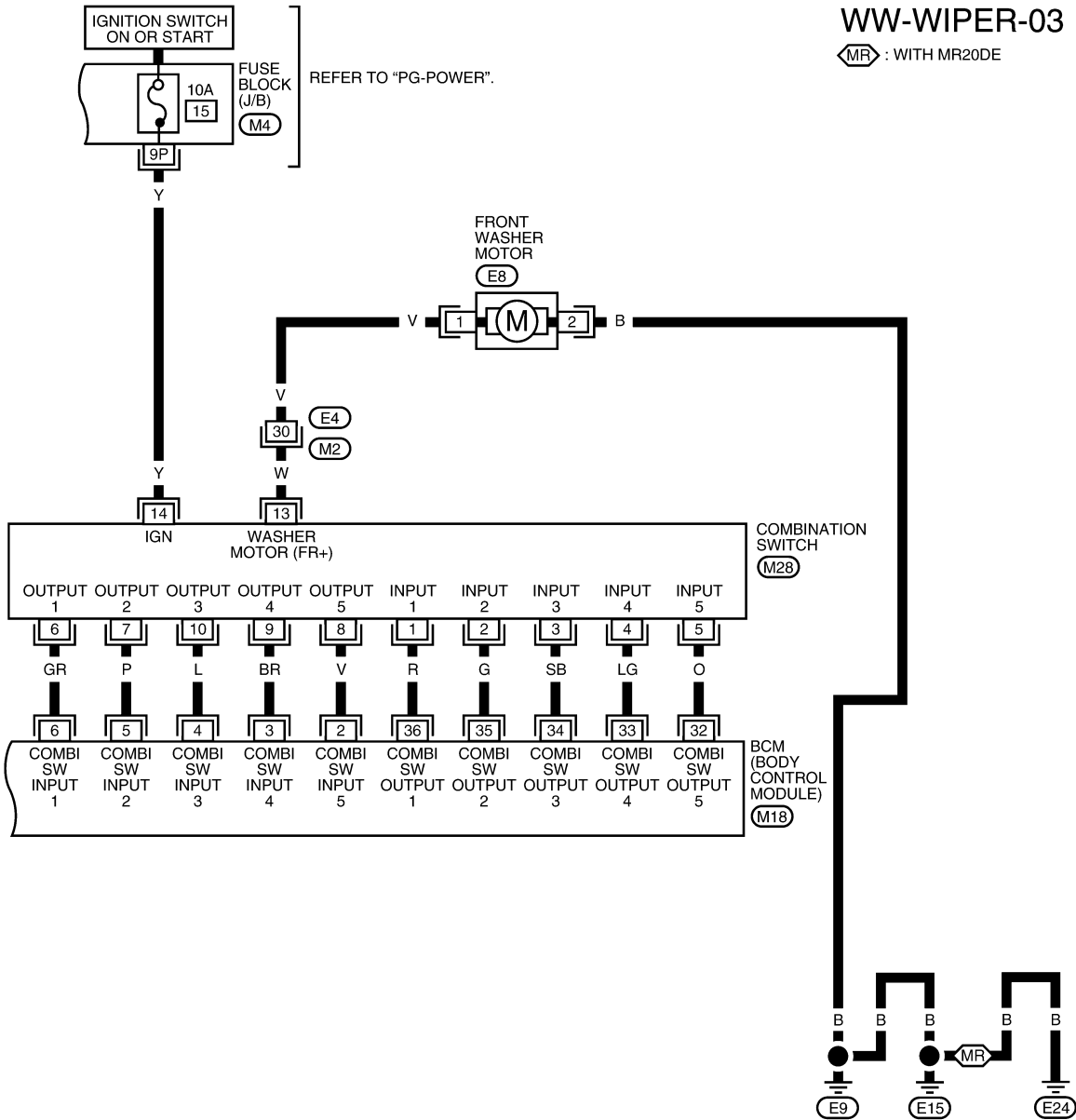
WKWA5372E

FRONT WIPER AND WASHER SYSTEM

< SERVICE INFORMATION >

WW-WIPER-03

MR : WITH MR20DE



Terminal and Reference Value for BCM

Refer to [BCS-11, "Terminal and Reference Value for BCM"](#).

Terminal and Reference Value for IPDM E/R

Refer to [PG-24, "Terminal and Reference Value for IPDM E/R"](#).

WKWA5860E

INFOID:000000004409228

INFOID:000000004409229

FRONT WIPER AND WASHER SYSTEM

< SERVICE INFORMATION >

Work Flow

INFOID:000000004409230

1. Confirm symptoms and customer complaint.
2. Understand operation description and function description. Refer to [WW-4. "System Description"](#).
3. Check symptom and repair or replace malfunctioning parts.
4. Does front wiper and washer operate normally? If YES, GO TO 6. If NO, GO TO 4.
5. Inspection End.

CONSULT-III Function (BCM)

INFOID:000000004409231

CONSULT-III can display each diagnostic item using the diagnostic test modes shown following.

BCM diagnosis position	Diagnosis mode	Description
WIPER	WORK SUPPORT	Supports inspections and adjustments. Commands are transmitted to the BCM for setting the status suitable for required operation, input/output signals are received from the BCM and received data is displayed.
	DATA MONITOR	Displays BCM input data in real time.
	ACTIVE TEST	Device operation can be checked by applying a drive signal to device.
BCM	SELF-DIAG RESULTS	BCM performs self-diagnosis of CAN communication.
	CAN DIAG SUPPORT MNTR	The result of transmit/receive diagnosis of CAN communication can be read.

WORK SUPPORT

Display Item List

Item	Description	CONSULT-III
WIPER SPEED SETTING	Vehicle speed sensing type wiper control mode can be changed in this mode.	ON/OFF

DATA MONITOR

ALL SIGNALS	Monitors all the signals.
SELECTION FROM MENU	Selects items and monitor them.

Display Item List

Monitor item	Contents
IGN ON SW "ON/OFF"	Displays "ignition switch ON (ON)/Other OFF or ACC (OFF)" status as judged from ignition switch signal.
IGN SW CAN "ON/OFF"	Displays "ignition switch ON (ON)/Other OFF or ACC (OFF)" status as judged from CAN communication signal.
FR WIPER HI "ON/OFF"	Displays "FRONT WIPER HI (ON)/Other (OFF)" status as judged from wiper switch signal.
FR WIPER LOW "ON/OFF"	Displays "FRONT WIPER LOW (ON)/Other (OFF)" status as judged from wiper switch signal.
FR WIPER INT "ON/OFF"	Displays "FRONT WIPER INT (ON)/Other (OFF)" status as judged from wiper switch signal.
FR WASHER SW "ON/OFF"	Displays "FRONT WASHER Switch (ON)/Other (OFF)" status as judged from wiper switch signal.
INT VOLUME "1-7"	Displays intermittent operation dial position setting (1-7) as judged from wiper switch signal.
FR WIPER STOP "ON/OFF"	Displays "Stopped (ON)/Operating (OFF)" status as judged from auto-stop signal.
VEHICLE SPEED "km/h"	Displays vehicle speed status as judged from vehicle speed signal.

ACTIVE TEST

Display Item List

Test item	Description
FR WIPER	Front LO, HI and INT wiper can be operated by any ON-OFF operation.

FRONT WIPER AND WASHER SYSTEM

< SERVICE INFORMATION >

CONSULT-III Function (IPDM E/R)

INFOID:000000004409232

CONSULT-III can display each diagnostic item using the diagnostic test modes shown following.

IPDM E/R diagnostic Mode	Description
SELF-DIAG RESULTS	Displays IPDM E/R self-diagnosis results.
DATA MONITOR	Displays IPDM E/R input/output data in real time.
CAN DIAG SUPPORT MNTR	The result of transmit/receive diagnosis of CAN communication can be read.
ACTIVE TEST	Operation of electrical loads can be checked by sending drive signal to them.

DATA MONITOR

ALL SIGNALS	Monitors all items.
MAIN SIGNALS	Monitor the predetermined item.
SELECTION FROM MENU	Selects items and monitors them.

All Signals, Main Signals, Selection From Menu

Item name	Display or unit	Monitor item selection			Description
		ALL SIGNALS	MAIN SIGNALS	SELECTION FROM MENU	
FR WIP REQ	STOP/1LOW/LOW/HI	×	×	×	Signal status input from BCM
WIP AUTO STOP	ACT P/STOP P	×	×	×	Output status of IPDM E/R
WIP PROT	OFF/BLOCK	×	×	×	Control status of IPDM E/R

NOTE:

Perform monitoring of IPDM E/R data with ignition switch ON. When ignition switch is at ACC, the display may not be correct.

ACTIVE TEST

Test item	Description
FRONT WIPER (HI, LO) output	With a certain operation (OFF, HI ON, LO ON), front wiper relay (Lo, Hi) can be operated.

BCM Power and Ground Circuit Inspection

INFOID:000000004409233

Refer to [BCS-14, "BCM Power Supply and Ground Circuit Inspection"](#).

IPDM E/R Power/Ground Circuit Inspection

INFOID:000000004409234

Refer to [PG-26, "IPDM E/R Power/Ground Circuit Inspection"](#).

Front Wiper Does Not Operate

INFOID:000000004409235

CAUTION:

- During IPDM E/R fail-safe control, front wipers may not operate. Refer to [PG-17, "System Description"](#) in "PG IPDM E/R" to make sure that it is not in fail-safe status.

1. ACTIVE TEST

With CONSULT-III

1. Select "IPDM E/R" on CONSULT-III, and select "ACTIVE TEST".
2. Select "FRONT WIPER" on "SELECT TEST ITEM" screen.
3. Touch "LO" or "HI" screen.

Without CONSULT-III

Start auto active test. Refer to [PG-20, "Auto Active Test"](#).

Does front wiper operate normally?

YES >> GO TO 2.

FRONT WIPER AND WASHER SYSTEM

< SERVICE INFORMATION >

NO >> GO TO 4.

2. CHECK CIRCUIT BETWEEN COMBINATION SWITCH AND BCM

With CONSULT-III

1. Select "BCM" on CONSULT-III, and select "WIPER" on "SELECT TEST ITEM" screen.
2. Select "DATA MONITOR". Make sure that "FR WIPER INT", "FR WIPER LOW", and "FR WIPER HI" turn ON-OFF according to wiper switch operation.

Without CONSULT-III

Refer to [LT-60. "Combination Switch Inspection"](#).

OK or NG

OK >> GO TO 3.

NG >> Check combination switch (wiper switch). Refer to [LT-60. "Combination Switch Inspection"](#).

3. CHECK CIRCUIT BETWEEN IPDM E/R AND BCM

Select "BCM" on CONSULT-III, and perform self-diagnosis for "BCM".

Displayed self-diagnosis results

NO DTC>>Replace BCM. Refer to [BCS-17. "Removal and Installation of BCM"](#).

CAN COMM CIRCUIT>>Check CAN communication line of BCM. Refer to [LAN-15. "Trouble Diagnosis Flow Chart"](#).

4. CHECK GROUND CIRCUIT

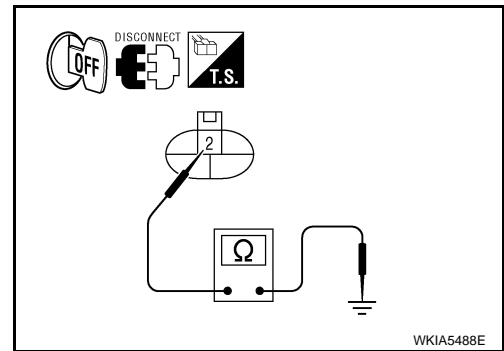
1. Turn ignition switch OFF.
2. Disconnect front wiper motor.
3. Check continuity between front wiper motor connector and ground.

Connector	Terminal	Ground	Continuity
E1	2		Yes

OK or NG

OK >> GO TO 5.

NG >> Repair or replace harness.



5. CHECK FRONT WIPER CIRCUIT

1. Disconnect IPDM E/R.
2. Check continuity between IPDM E/R connector (A) and front wiper motor connector (B).

Connector	Terminal	Connector	Terminal	Continuity
A		B		
E45	32	E1	4	Yes
	33		1	

3. Check continuity between IPDM E/R connector (A) and ground.

Connector	Terminal	Ground	Continuity
A			
E45	32		No
	33		

OK or NG

OK >> GO TO 6.

NG >> Repair or replace harness.

6. CHECK IPDM E/R

With CONSULT-III

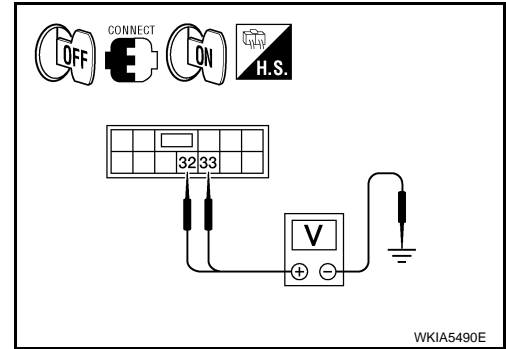
A
B
C
D
E
F
G
H
I
J
L
M
N
O
P

WW

FRONT WIPER AND WASHER SYSTEM

< SERVICE INFORMATION >

1. Connect IPDM E/R connector E45.
2. Turn ignition switch ON.
3. Select "IPDM E/R" by CONSULT-III, and select "ACTIVE TEST".
4. Select "FRONT WIPER" on "SELECT TEST ITEM" screen.
5. Touch "LO" or "HI" screen.
6. Check voltage between IPDM E/R connector and ground while front wiper (HI, LO) is operating.



Connector	Terminals		Condition	Voltage (V) Approx.
	(+)	(-)		
E45	32	Ground	Stopped	0V
			HI operation	Battery voltage
	33		Stopped	0V
			LO operation	Battery voltage

⊗ Without CONSULT-III

1. Connect IPDM E/R connector E45.
2. Turn ignition switch ON.
3. Start auto active test. Refer to [PG-20, "Auto Active Test"](#).
4. Check voltage between IPDM E/R connector and ground while front wiper (HI, LO) is operating.

Connector	Terminals		Condition	Voltage (V) Approx.
	(+)	(-)		
E45	32	Ground	Stopped	0V
			HI operation	Battery voltage
	33		Stopped	0V
			LO operation	Battery voltage

OK or NG

- OK >> Replace front wiper motor. Refer to [WW-20, "Removal and Installation of Front Wiper Drive Assembly"](#).
- NG >> Replace IPDM E/R. Refer to [PG-27, "Removal and Installation of IPDM E/R"](#).

Front Wiper Does Not Return to Stop Position (After Front Wiper Operates for 10 Seconds, They Stop for 20 Seconds, and After Repeating the Operation Five Times, They Become Inoperative)

INFOID:000000004409236

CAUTION:

- When auto-stop signal has not varied for 10 seconds or longer while IPDM E/R is operating front wipers, IPDM E/R considers that front wipers are locked, and stops wiper output. That causes this symptom.
- This status can be checked by "DATA MONITOR" of "IPDM E/R" on which "WIPER PROT" item shows "BLOCK".

1. CHECK FRONT WIPER STOP SIGNAL

Ⓟ With CONSULT-III

Select "IPDM E/R" on CONSULT-III. With "DATA MONITOR", make sure that "WIP AUTO STOP" turns "ACT P" - "STOP P" linked with wiper operation.

⊗ Without CONSULT-III

GO TO 2.

OK or NG

- OK >> Replace IPDM E/R. Refer to [PG-27, "Removal and Installation of IPDM E/R"](#).
- NG >> GO TO 2.

2. CHECK IPDM E/R

FRONT WIPER AND WASHER SYSTEM

< SERVICE INFORMATION >

1. Turn ignition switch ON.
2. Check voltage between IPDM E/R connector and ground while front wiper motor is stopped and while it is operating.

Connector	Terminals		Condition	Voltage (V) Approx.
	(+)	(-)		
E46	38	Ground	Wiper stopped	0V
			Wiper operating	Battery voltage

OK or NG

OK >> Replace IPDM E/R. Refer to [PG-27. "Removal and Installation of IPDM E/R"](#).

NG >> GO TO 3.

3.CHECK FRONT WIPER AUTO STOP CIRCUIT

1. Turn ignition switch OFF.
2. Disconnect IPDM E/R and wiper motor.
3. Check continuity between IPDM E/R connector (A) and front wiper motor connector (B).

Connector	Terminal	Connector	Terminal	Continuity
A		B		
E46	38	E1	5	Yes

4. Check continuity between IPDM E/R harness connector (A) and ground.

Connector	Terminal	Ground	Continuity
A			
E46	38		No

OK or NG

OK >> Replace front wiper motor. Refer to [WW-20. "Removal and Installation of Front Wiper Drive Assembly"](#).

NG >> Repair or replace harness.

Only Front Wiper Low Does Not Operate

INFOID:000000004409237

1.ACTIVE TEST

With CONSULT-III

1. Select "IPDM E/R" on CONSULT-III, and select "ACTIVE TEST".
2. Select "FRONT WIPER" on "SELECT TEST ITEM" screen.
3. Touch "LO" screen.

Without CONSULT-III

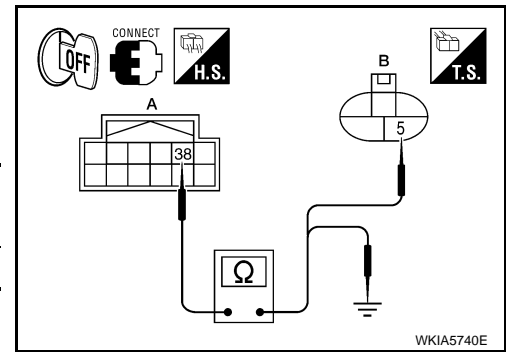
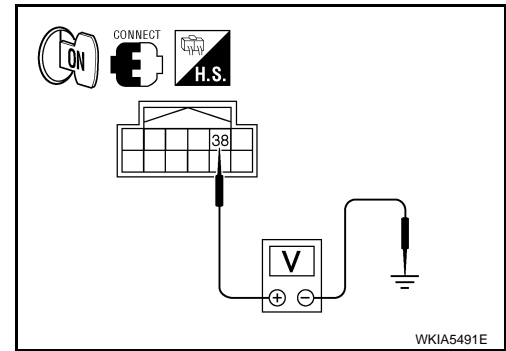
Start auto active test. Refer to [PG-20. "Auto Active Test"](#).

Does front wiper operate normally?

YES >> Refer to [LT-60. "Combination Switch Inspection"](#).

NO >> GO TO 2.

2.CHECK FRONT WIPER MOTOR CIRCUIT



A
B
C
D
E
F
G
H
I
J
L
M
N
O
P

WW

FRONT WIPER AND WASHER SYSTEM

< SERVICE INFORMATION >

1. Turn ignition switch OFF.
2. Disconnect IPDM E/R and front wiper motor.
3. Check continuity between IPDM E/R connector (A) and front wiper motor connector (B).

Connector	Terminal	Connector	Terminal	Continuity
A		B		
E45	33	E1	1	Yes

4. Check continuity between IPDM E/R harness connector (A) and ground.

Connector	Terminal	Ground	Continuity
A			
E45	33		No

OK or NG

- OK >> GO TO 3.
 NG >> Repair or replace harness.

3. CHECK IPDM E/R

With CONSULT-III

1. Connect IPDM E/R.
2. Turn ignition ON.
3. Select "IPDM E/R" on CONSULT-III, and select "ACTIVE TEST".
4. Select "FRONT WIPER" on "SELECT TEST ITEM" screen.
5. Touch "LO" screen.
6. Check voltage between IPDM E/R connector and ground while front wiper LO is operating.

Connector	Terminals		Voltage (V) Approx.
	(+)	(-)	
E45	33	Ground	Battery voltage

Without CONSULT-III

1. Connect IPDM E/R.
2. Turn ignition ON.
3. Start auto active test. Refer to [PG-20. "Auto Active Test"](#).
4. Check voltage between IPDM E/R connector and ground while front wiper LO is operating.

Connector	Terminals		Voltage (V) Approx.
	(+)	(-)	
E45	33	Ground	Battery voltage

OK or NG

- OK >> Replace front wiper motor. Refer to [WW-20. "Removal and Installation of Front Wiper Drive Assembly"](#).
 NG >> Replace IPDM E/R. Refer to [PG-27. "Removal and Installation of IPDM E/R"](#).

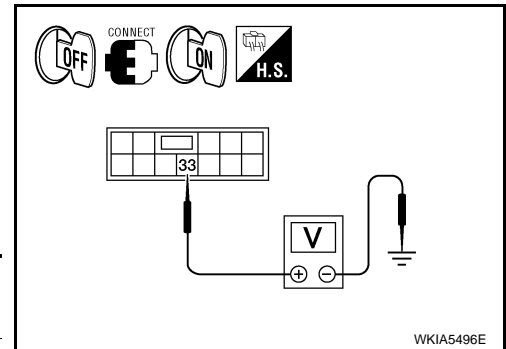
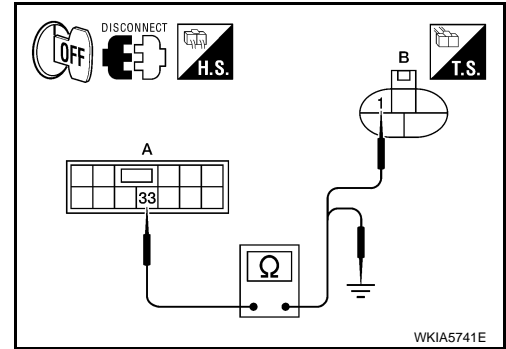
Only Front Wiper HI Does Not Operate

INFOID:000000004409238

1. ACTIVE TEST

With CONSULT-III

1. Select "IPDM E/R" on CONSULT-III, and select "ACTIVE TEST".
2. Select "FRONT WIPER" on "SELECT TEST ITEM" screen.
3. Touch "HI" screen.



FRONT WIPER AND WASHER SYSTEM

< SERVICE INFORMATION >

Without CONSULT-III

Start auto active test. Refer to [PG-20. "Auto Active Test"](#).

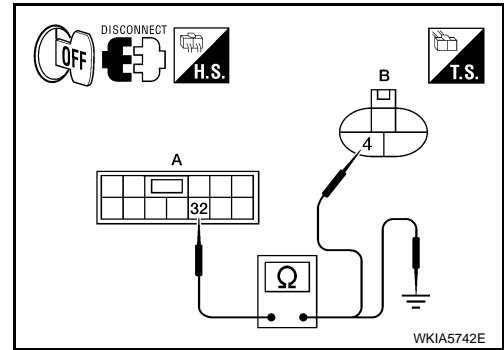
Does front wiper operate normally?

- YES >> Refer to [LT-60. "Combination Switch Inspection"](#).
- NO >> GO TO 2.

2. CHECK FRONT WIPER MOTOR CIRCUIT

1. Turn ignition switch OFF.
2. Disconnect IPDM E/R and front wiper motor.
3. Check continuity between IPDM E/R connector (A) and front wiper motor connector (B).

Connector	Terminal	Connector	Terminal	Continuity
A		B		
E45	32	E1	4	Yes



4. Check continuity between IPDM E/R harness connector (A) and ground.

Connector	Terminal	Ground	Continuity
A			
E45	32		No

OK or NG

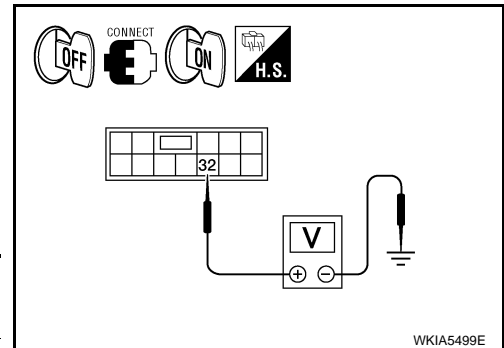
- OK >> GO TO 3.
- NG >> Repair or replace harness.

3. CHECK IPDM E/R

With CONSULT-III

1. Connect IPDM E/R.
2. Turn ignition switch ON.
3. Select "IPDM E/R" on CONSULT-III, and select "ACTIVE TEST".
4. Select "FRONT WIPER" on "SELECT TEST ITEM" screen.
5. Touch "HI" screen.
6. Check voltage between IPDM E/R connector and ground while front wiper HI is operating.

Connector	Terminals		Voltage (V) Approx.
	(+)	(-)	
E45	32	Ground	Battery voltage



Without CONSULT-III

1. Connect IPDM E/R.
2. Turn ignition switch ON.
3. Start auto active test. Refer to [PG-20. "Auto Active Test"](#).
4. Check voltage between IPDM E/R connector and ground while front wiper HI is operating.

Connector	Terminals		Voltage (V) Approx.
	(+)	(-)	
E45	32	Ground	Battery voltage

OK or NG

- OK >> Replace front wiper motor. Refer to [WW-20. "Removal and Installation of Front Wiper Drive Assembly"](#).
- NG >> Replace IPDM E/R. Refer to [PG-27. "Removal and Installation of IPDM E/R"](#).

FRONT WIPER AND WASHER SYSTEM

< SERVICE INFORMATION >

Only Front Wiper Intermittent Does Not Operate

INFOID:000000004409239

1. CHECK COMBINATION SWITCH

With CONSULT-III

1. Select "BCM" on CONSULT-III, and select "WIPER" on "SELECT TEST ITEM" screen.
2. Select "DATA MONITOR". Make sure that "FR WIPER INT", turn ON-OFF according to wiper switch operation.

Without CONSULT-III

Refer to [LT-60. "Combination Switch Inspection"](#).

OK or NG

- OK >> Replace BCM. Refer to [BCS-17. "Removal and Installation of BCM"](#).
NG >> Check combination switch (wiper switch). Refer to [LT-60. "Combination Switch Inspection"](#).

Front Wiper Intermittent Operation Switch Position Cannot Be Adjusted

INFOID:000000004409240

1. CHECK CIRCUIT BETWEEN COMBINATION SWITCH AND BCM

With CONSULT-III

1. Select "BCM" on CONSULT-III, and select "WIPER" on "SELECT TEST ITEM" screen.
2. Select "DATA MONITOR". Make sure that "INT VOLUME", changes in order from 1 to 7 according to wiper switch operation.

Without CONSULT-III

Refer to [LT-60. "Combination Switch Inspection"](#).

OK or NG

- OK >> Replace BCM. Refer to [BCS-17. "Removal and Installation of BCM"](#).
NG >> Check combination switch (wiper switch). Refer to [LT-60. "Combination Switch Inspection"](#).

Wiper Does Not Wipe When Front Washer Operates

INFOID:000000004409241

1. CHECK CIRCUIT BETWEEN COMBINATION SWITCH AND BCM

With CONSULT-III

1. Select "BCM" on CONSULT-III, and select "WIPER" on "SELECT TEST ITEM" screen.
2. Select "DATA MONITOR". Make sure that "FR WASHER SW" turn ON-OFF according to front wiper switch operation.

Without CONSULT-III

Refer to [LT-60. "Combination Switch Inspection"](#).

OK or NG

- OK >> Replace BCM. Refer to [BCS-17. "Removal and Installation of BCM"](#).
NG >> Check combination switch (wiper switch). Refer to [LT-60. "Combination Switch Inspection"](#).

Front Wiper Does Not Stop

INFOID:000000004409242

1. CHECK CIRCUIT BETWEEN COMBINATION SWITCH AND BCM

With CONSULT-III

1. Select "BCM" on CONSULT-III, and select "WIPER" on "SELECT TEST ITEM" screen.
2. Select "DATA MONITOR". Make sure that "FR WIPER INT", "FR WIPER LOW", "FR WIPER HI", and "FR WASHER SW" turn ON-OFF according to front wiper switch operation.

Without CONSULT-III

Refer to [LT-60. "Combination Switch Inspection"](#).

OK or NG

- OK >> Replace IPDM E/R. Refer to [PG-27. "Removal and Installation of IPDM E/R"](#).
NG >> Check combination switch (wiper switch). Refer to [LT-60. "Combination Switch Inspection"](#).

Removal and Installation of Front Wiper Arms

INFOID:000000004409243

REMOVAL

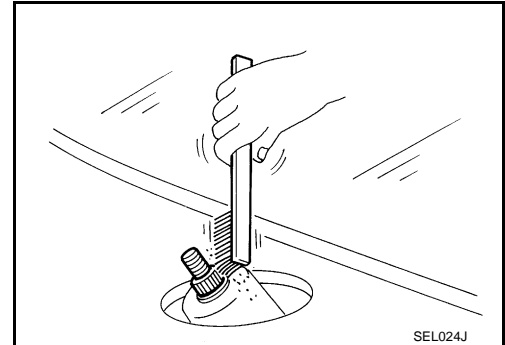
FRONT WIPER AND WASHER SYSTEM

< SERVICE INFORMATION >

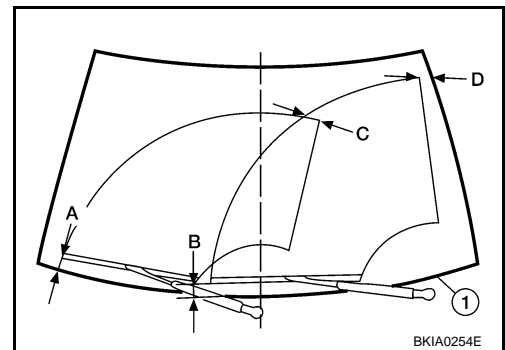
1. Turn wiper switch on to operate wiper motor, and then turn wiper switch off (auto stop).
2. Open hood, remove wiper arm caps, and remove wiper arm nuts.
3. Raise wiper arm, and remove wiper arm from the vehicle.

INSTALLATION

1. Clean up the pivot area as shown. This will reduce possibility of wiper arm looseness.
2. Prior to wiper arm installation, turn on wiper switch to operate wiper motor and then turn it off (auto stop).
3. Push wiper arm onto pivot shaft, paying attention to blind spline.



4. Lift the blade up and then set it down onto glass surface to set the blade center to clearance "A", "B", "C" and "D" immediately before temporarily tightening the wiper arm nuts.
5. Spray washer fluid. Turn on wiper switch to operate wiper motor and then turn it off.
6. Make sure that wiper blades stop within clearance "A", "B", "C", and "D" and reposition as necessary.
 - Cowl top cover edge (1)



- Clearance "A" : 30.5 mm (1.201 in)
- Clearance "B" : 27.5 ± 6.5 mm (1.083 ±±in)
- Clearance "C" : 20.1 mm (1.791 in)
- Clearance "D" : 50 mm (1.969 in)

7. Tighten wiper arm nuts to specification. Refer to [WW-20. "Removal and Installation of Front Wiper Drive Assembly"](#).
8. Attach wiper arm caps.

Adjustment of Wiper Arm Stop Location

INFOID:000000004409244

ADJUSTMENT

To adjust the wiper arm stop location, the wiper arm must be removed and installed. Refer to [WW-18. "Removal and Installation of Front Wiper Arms"](#).

A
B
C
D
E
F
G
H
I
J
L
M
N
O
P

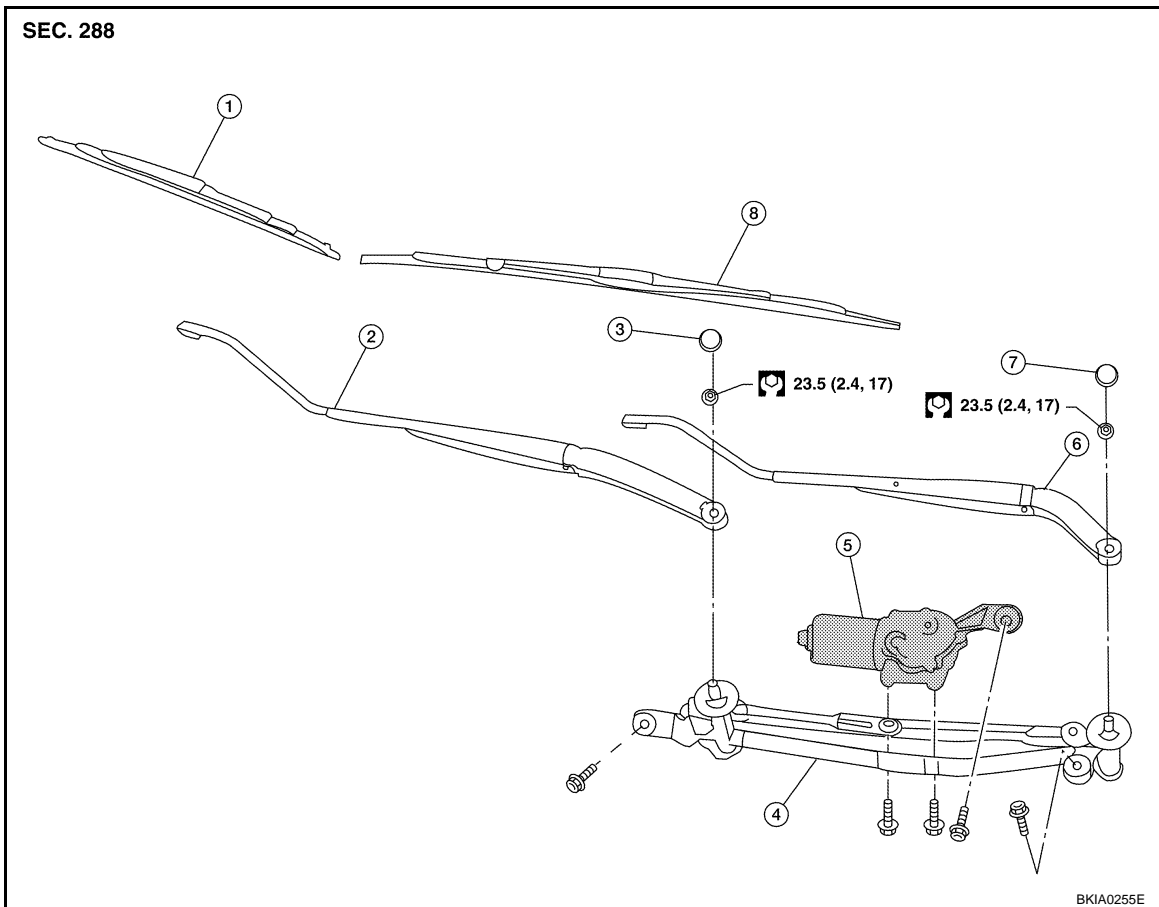
WW

FRONT WIPER AND WASHER SYSTEM

< SERVICE INFORMATION >

Removal and Installation of Front Wiper Drive Assembly

INFOID:000000004409245



- | | | |
|-------------------------------|-------------------------|-----------------------|
| 1. Front RH wiper blade | 2. Front RH wiper arm | 3. Wiper arm cap |
| 4. Front wiper drive assembly | 5. Wiper motor | 6. Front LH wiper arm |
| 7. Wiper arm cap | 8. Front LH wiper blade | |

REMOVAL

1. Turn wiper switch on to operate wiper motor, then turn wiper switch off (auto stop).
2. Remove wiper arms. Refer to [WW-18. "Removal and Installation of Front Wiper Arms"](#).
3. Remove cowl top cover. Refer to [EI-19](#).
4. Remove cowl extension. Refer to [EI-19](#).
5. Disconnect wiper motor connector.
6. Remove front wiper drive assembly bolts, and remove front wiper drive assembly.
7. Remove the two wiper motor screws and remove the wiper motor.

INSTALLATION

1. Install the wiper motor.
2. Install front wiper drive assembly.
3. Connect wiper motor connector. Turn wiper switch on to operate wiper motor, then turn wiper switch off (auto stop).
4. Install cowl extension. Refer to [EI-19](#).
5. Install cowl top cover. Refer to [EI-19](#).
6. Install the wiper arms. Refer to [WW-18. "Removal and Installation of Front Wiper Arms"](#).

FRONT WIPER AND WASHER SYSTEM

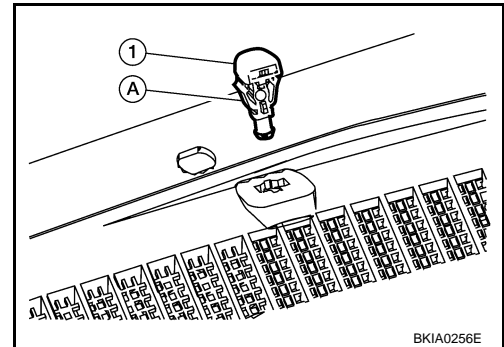
< SERVICE INFORMATION >

Removal and Installation of Front Washer Nozzle

INFOID:000000004409246

REMOVAL

1. Remove cowl top cover. Refer to [EI-19. "Removal and Installation"](#).
2. Remove washer tube.
3. While pressing pawl (A) on the reverse side of front washer nozzle (1), remove front washer nozzle (1) from cowl top cover.

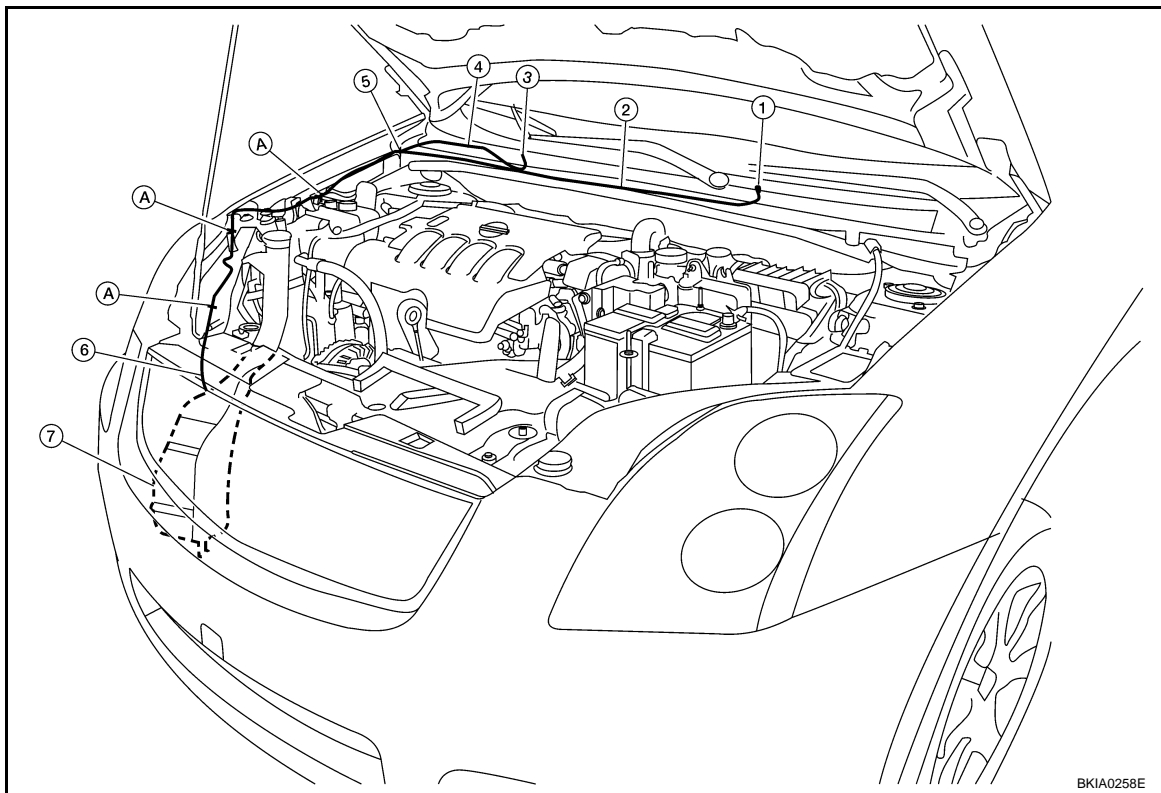


INSTALLATION

Installation is in the reverse order of removal.

Washer Tube Layout

INFOID:000000004409247



- | | | |
|---------------------------|--------------------------|--------------------------------|
| 1. Washer nozzle LH | 2. Washer nozzle hose LH | 3. Washer nozzle RH |
| 4. Washer nozzle hose RH | 5. Joint washer tube | 6. Washer fluid reservoir hose |
| 7. Washer fluid reservoir | A. Clips | |

Removal and Installation of Front Wiper and Washer Switch

INFOID:000000004409248

REMOVAL

1. Remove the steering column cover. Refer to [IP-11](#).
2. Disconnect the wiper and washer switch connector.

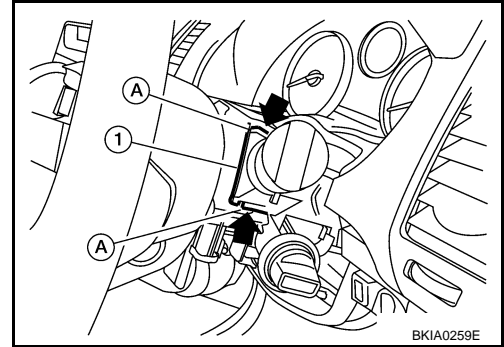
A
B
C
D
E
F
G
H
I
J
L
M
N
O
P

WW

FRONT WIPER AND WASHER SYSTEM

< SERVICE INFORMATION >

3. Pull wiper and washer switch (1) toward the passenger door while pressing pawls (A) in direction shown by the arrow, and remove it from the base.



INSTALLATION

Installation is in the reverse order of removal.

Inspection of Front Wiper and Washer Switch Circuit

INFOID:000000004409249

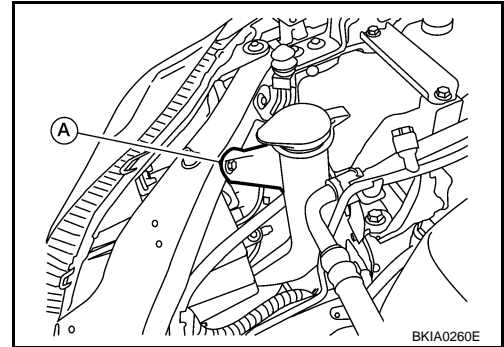
Refer to [LT-60, "Combination Switch Inspection"](#).

Removal and Installation of Washer Fluid Reservoir

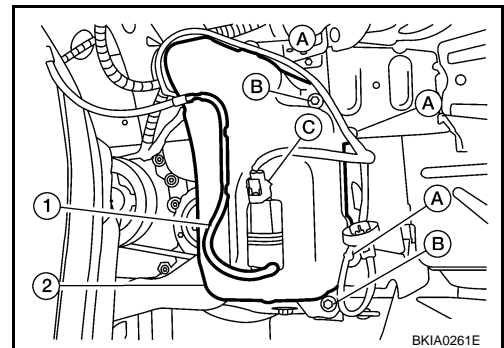
INFOID:000000004409250

REMOVAL

1. Remove the washer fluid reservoir screw (A).



2. Remove the front fender protector RH. Refer to [EI-21](#).
3. Detach the fog lamp harness clips (A) and remove the washer tube (1).
4. Disconnect the washer motor connector (C).
5. Remove the washer fluid reservoir screws (B), and remove washer reservoir (2).



INSTALLATION

Installation is in the reverse order of removal.

CAUTION:

After installation, add water up to the upper level of washer fluid reservoir inlet, and check for water leaks.

Removal and Installation of Front Washer Motor

INFOID:000000004409251

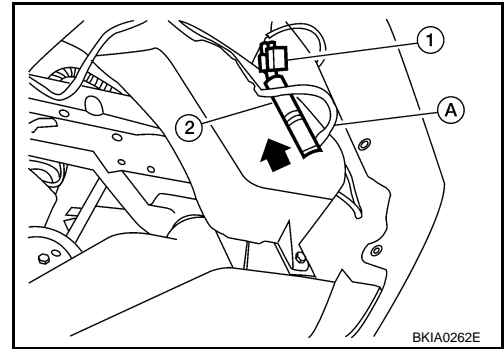
REMOVAL

1. Remove the front fender protector RH. Refer to [EI-21](#).

FRONT WIPER AND WASHER SYSTEM

< SERVICE INFORMATION >

2. Disconnect washer motor connector (1) and detach the washer tube (A).
3. Pull out washer motor (2) in the direction shown. Remove the washer motor (2) from washer fluid reservoir.



INSTALLATION

Installation is in the reverse order of removal.

CAUTION:

When installing washer motor, there should be no hose twists.

A
B
C
D
E
F
G
H
I
J
L
M
N
O
P

WW

POWER SOCKET

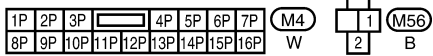
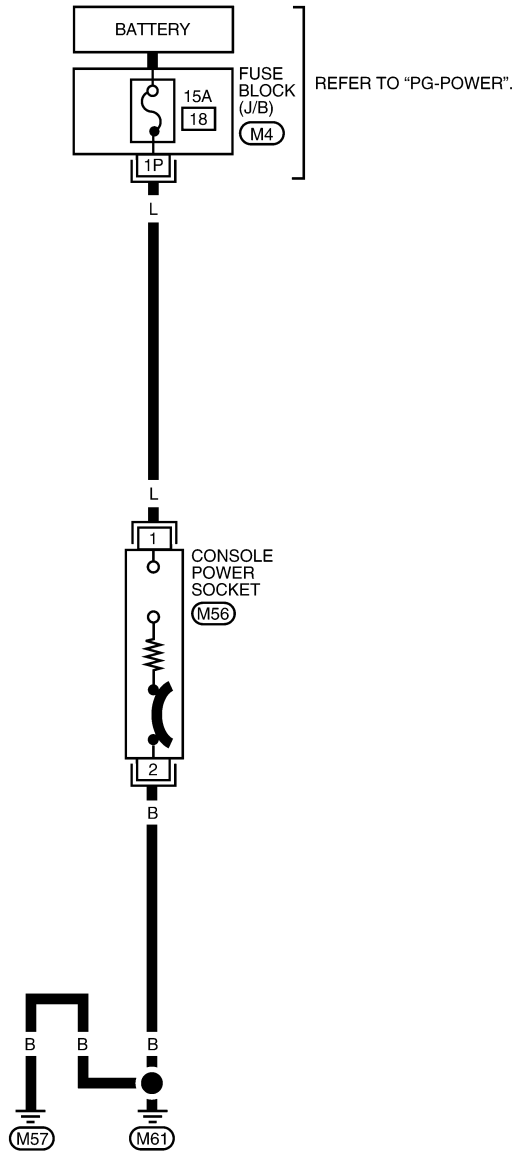
< SERVICE INFORMATION >

POWER SOCKET

Wiring Diagram - P/SCKT -

INFOID:000000004409252

WW-P/SCKT-01

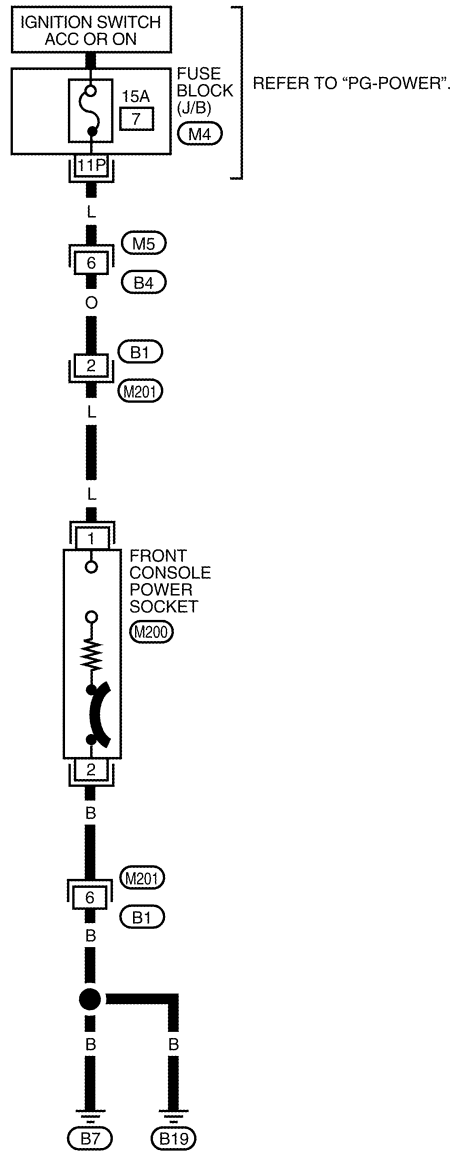


ABMWA0264GI

POWER SOCKET

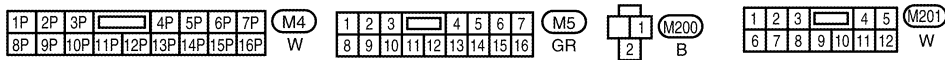
< SERVICE INFORMATION >

WW-P/SCKT-02



A
B
C
D
E
F
G
H
I
J
L
M
N
O
P

WW



ABMWA0265GI

POWER SOCKET

< SERVICE INFORMATION >

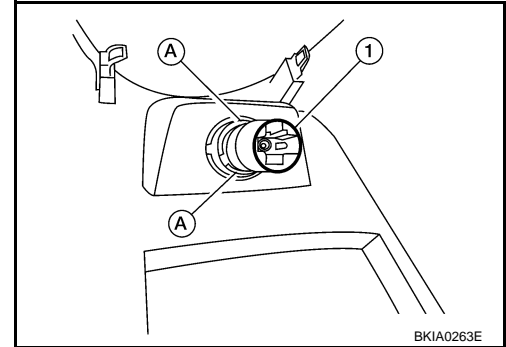
Removal and Installation

INFOID:000000004409253

FRONT CONSOLE POWER SOCKET

Removal

1. Remove the center console. Refer to [IP-12, "Removal and Installation"](#).
2. Remove the instrument lower covers (LH) and (RH). Refer to [IP-12, "Removal and Installation"](#).
3. Remove the instrument lower cover (center). Refer to [IP-12, "Removal and Installation"](#).
4. Remove the power socket (1) while pressing the tabs (A) on the ring, disconnect the power socket connector.



Installation

Installation is in the reverse order of removal.

CONSOLE POWER SOCKET

Removal

1. Remove the center console. Refer to [IP-12, "Removal and Installation"](#).
2. Remove the power socket while pressing the tabs on the ring, disconnect the power socket connector.

Installation

Installation is in the reverse order of removal.

HORN

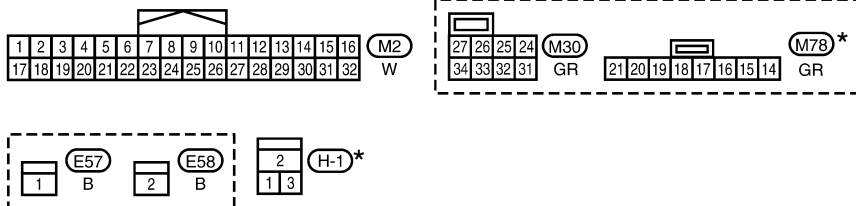
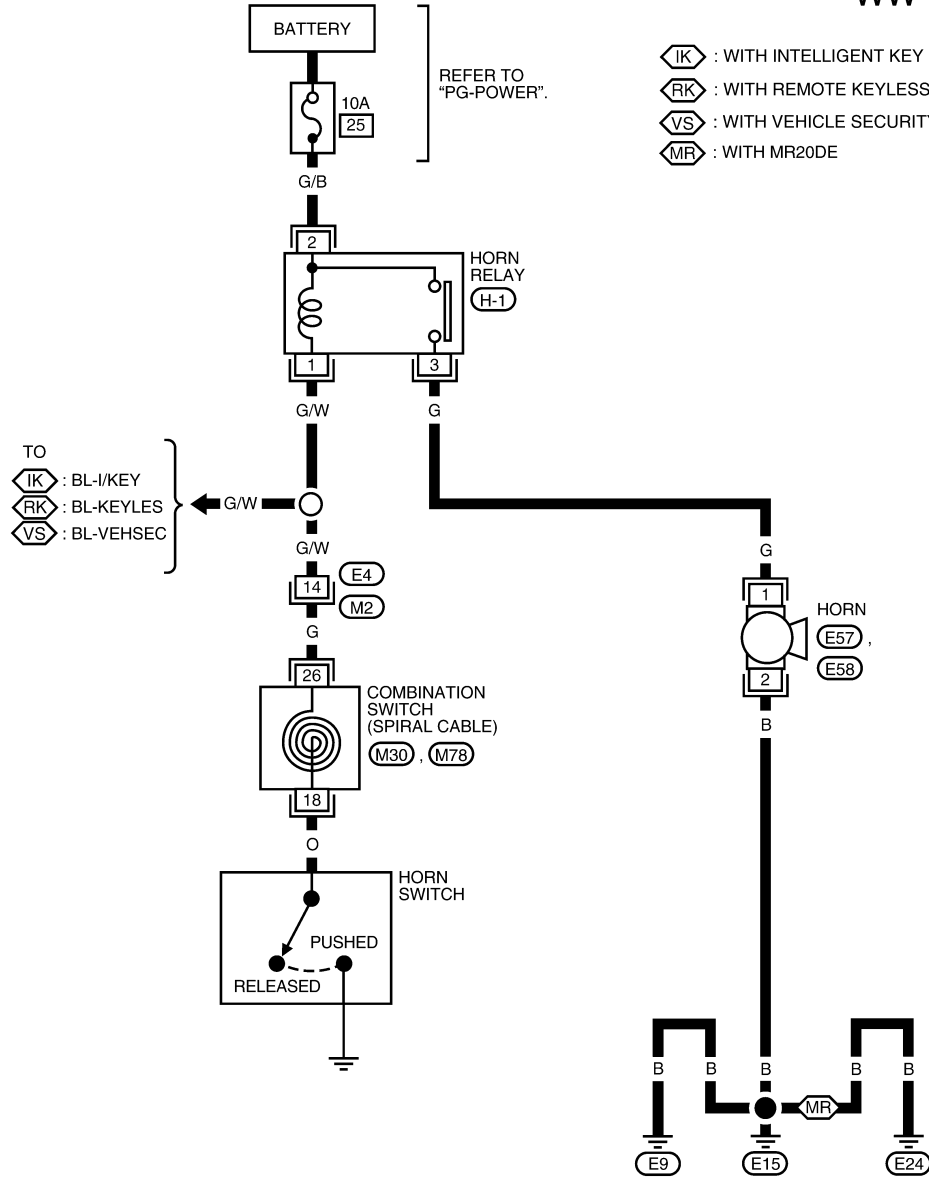
< SERVICE INFORMATION >

HORN

Wiring Diagram - HORN -

INFOID:000000004409254

WW-HORN-01



*: THIS CONNECTOR IS NOT SHOWN IN "HARNESS LAYOUT" OF PG SECTION.

WKWA5861E

Removal and Installation

INFOID:000000004409255

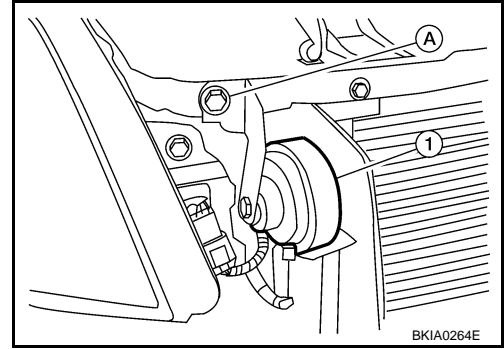
REMOVAL

1. Remove the front bumper fascia. Refer to [EI-14](#).

HORN

< SERVICE INFORMATION >

2. Disconnect the horn connectors.
3. Remove the horn bolt (A) and remove the horn (1).



INSTALLATION

Installation is in the reverse order of removal.