

SECTION **DEF**
DEFOGGER

A
B
C
D
E
F
G
H
I
J
K
DEF
M
N
O
P

CONTENTS

BASIC INSPECTION	3	REAR WINDOW DEFOGGER SYSTEM	12
DIAGNOSIS AND REPAIR WORKFLOW	3	Description	12
Repair Work Flow	3	Component Function Check	12
FUNCTION DIAGNOSIS	5	Diagnosis Procedure	12
REAR WINDOW DEFOGGER SYSTEM	5	Component Inspection	14
System Diagram	5	DOOR MIRROR DEFOGGER LH (WITHOUT	
System Description	5	 AUTOMATIC DRIVE POSITIONER)	15
Component Parts Location	6	Description	15
Component Description	6	Component Function Check	15
DIAGNOSIS SYSTEM (BCM)	7	Diagnosis Procedure	15
COMMON ITEM	7	Component Inspection	16
COMMON ITEM : CONSULT-III Function (BCM -		DOOR MIRROR DEFOGGER LH (WITH AU-	
COMMON ITEM)	7	 TOMATIC DRIVE POSITIONER)	17
REAR WINDOW DEFOGGER	7	Description	17
REAR WINDOW DEFOGGER : CONSULT-III		Component Function Check	17
Function (BCM - REAR DEFOGGER)	7	Diagnosis Procedure	17
CAN COMMUNICATION	8	Component Inspection	18
System Description	8	DOOR MIRROR DEFOGGER RH (WITHOUT	
COMPONENT DIAGNOSIS	9	 AUTOMATIC DRIVE POSITIONER)	19
REAR WINDOW DEFOGGER SWITCH	9	Description	19
Description	9	Component Function Check	19
Component Function Check (With Center Con-		Diagnosis Procedure	19
sole or Auto A/C)	9	Component Inspection	20
Component Function Check (Without Center Con-		DOOR MIRROR DEFOGGER RH (WITH AU-	
sole or Auto A/C)	9	 TOMATIC DRIVE POSITIONER)	21
Diagnosis Procedure (With Center Console or		Description	21
Auto A/C)	9	Component Function Check	21
Diagnosis Procedure (Without Center Console or		Diagnosis Procedure	21
Auto A/C)	9	Component Inspection	22
REAR WINDOW DEFOGGER RELAY	11	ECU DIAGNOSIS	23
Description	11	BCM (BODY CONTROL MODULE)	23
Component Function Check	11	Reference Value	23
Diagnosis Procedure	11	Wiring Diagram	24
		SYMPTOM DIAGNOSIS	32

REAR WINDOW DEFOGGER SYSTEM		PASSENGER SIDE DOOR MIRROR DEFOGGER DOES NOT OPERATE.	37
SYMPTOMS	32	Diagnosis Procedure	37
Symptom Table	32		
REAR WINDOW DEFOGGER AND DOOR MIRROR DEFOGGER DO NOT OPERATE.	33	REAR WINDOW DEFOGGER SWITCH DOES NOT LIGHT, BUT REAR WINDOW DEFOGGER OPERATES	38
Diagnosis Procedure	33	Diagnosis Procedure	38
REAR WINDOW DEFOGGER DOES NOT OPERATE BUT BOTH OF DOOR MIRROR DEFOGGER OPERATE.	34	PRECAUTION	39
Diagnosis Procedure	34	PRECAUTIONS	39
BOTH DOORS MIRROR DEFOGGER DON'T OPERATE BUT REAR WINDOW DEFOGGER OPERATES	35	Precaution for Supplemental Restraint System (SRS) "AIR BAG" and "SEAT BELT PRE-TENSIONER"	39
Diagnosis Procedure	35	Handling for Adhesive and Primer	39
DRIVER SIDE DOOR MIRROR DEFOGGER DOES NOT OPERATE.	36	ON-VEHICLE REPAIR	40
Diagnosis Procedure	36	REAR WINDOW DEFOGGER	40
		Filament Check	40
		Filament Repair	40

DIAGNOSIS AND REPAIR WORKFLOW

< BASIC INSPECTION >

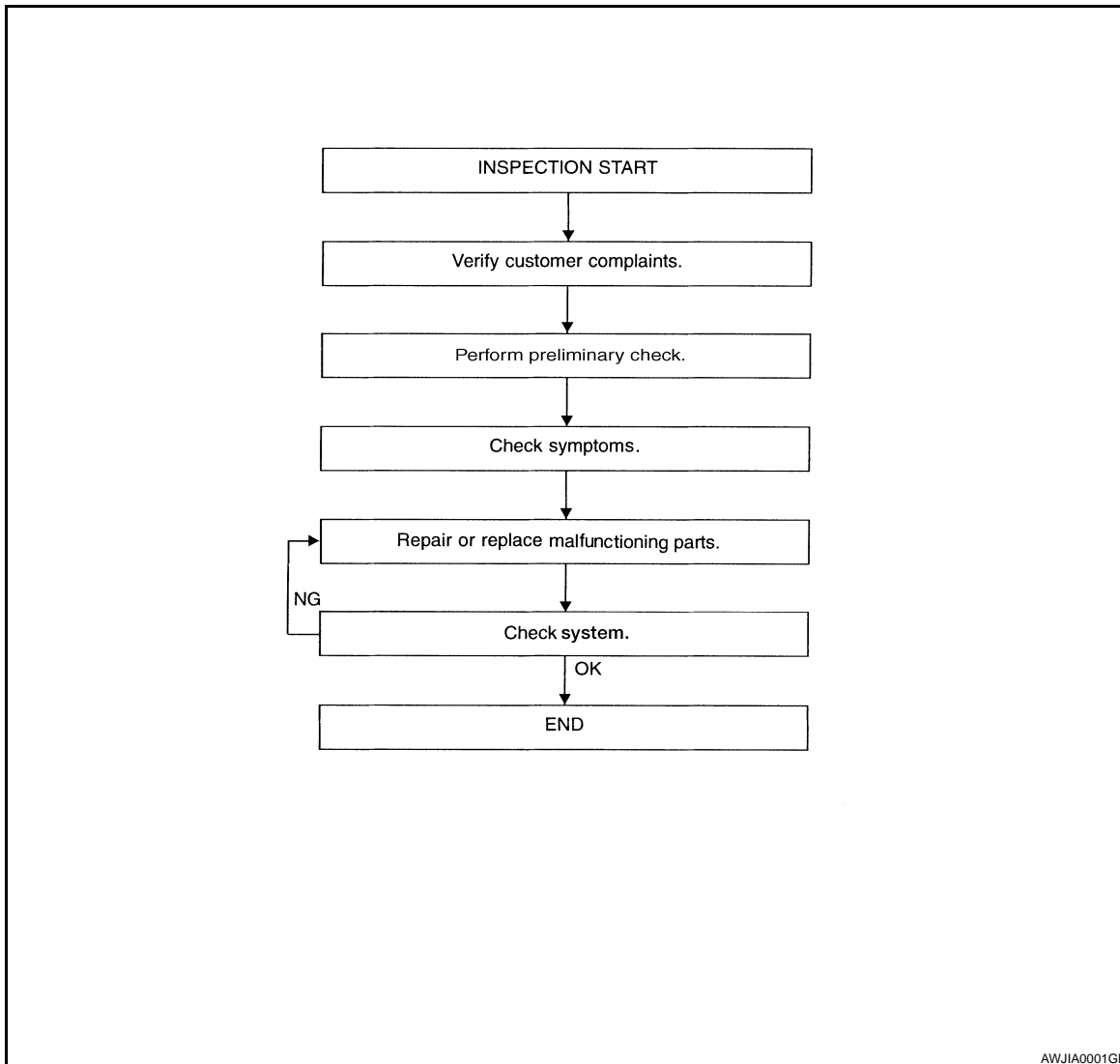
BASIC INSPECTION

DIAGNOSIS AND REPAIR WORKFLOW

Repair Work Flow

INFOID:000000001677612

WORK FLOW



DETAILED FLOW

1. CUSTOMER INFORMATION

Talk to the customer to obtain detailed information about the symptom.

>> GO TO 2

2. SYSTEM DESCRIPTION

Perform preliminary check. Refer to [DEF-5, "System Description"](#).

>> GO TO 3

3. SYMPTOM

Check for symptoms. Refer to [DEF-32, "Symptom Table"](#).

DEF-3

A
B
C
D
E
F
G
H
I
J
K

DEF

M
N
O
P

DIAGNOSIS AND REPAIR WORKFLOW

< BASIC INSPECTION >

>> GO TO 4

4. MALFUNCTIONING PARTS

Repair or replace the applicable parts.

>> GO TO 5

5. SYSTEM CHECK

Operate rear window defogger switch to ensure that rear window defogger and heated mirrors operate.

Does the system operate normally?

YES >> INSPECTION END

NO >> Refer to [GI-41, "Intermittent Incident"](#).

REAR WINDOW DEFOGGER SYSTEM

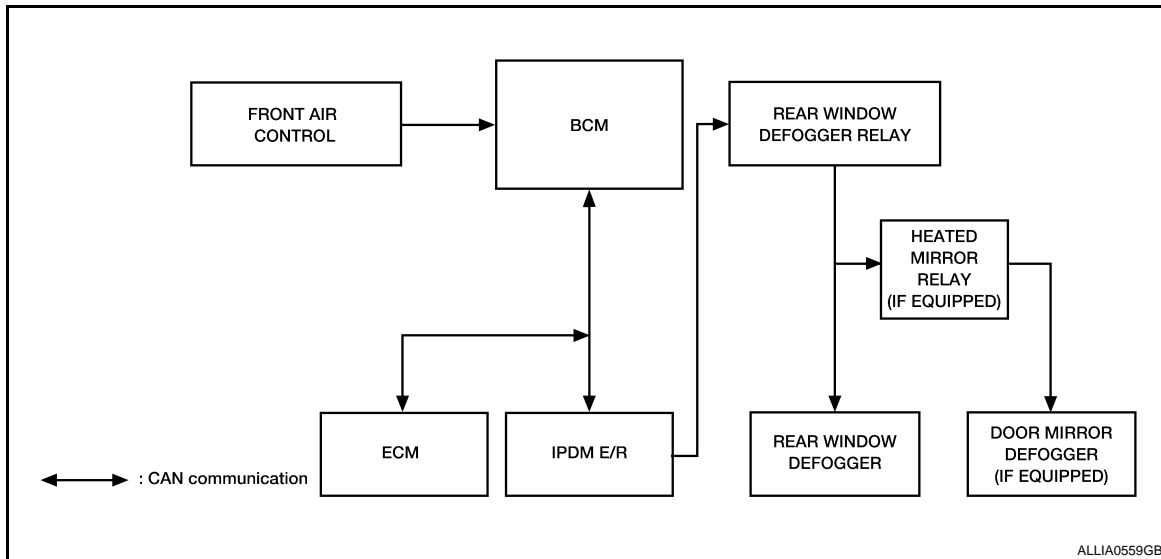
< FUNCTION DIAGNOSIS >

FUNCTION DIAGNOSIS

REAR WINDOW DEFOGGER SYSTEM

System Diagram

INFOID:000000001677613



System Description

INFOID:000000001677614

Operation Description

- Turn rear window defogger switch ON when the ignition switch is turned ON. Then front air control (rear window defogger switch) transmits rear window defogger switch signal to BCM.
- BCM transmits rear window defogger control signal to IPDM E/R and display unit via CAN communication when rear window defogger operates.
- IPDM E/R turns rear window defogger relay and heated mirror relay ON when rear window defogger switch signal is received.
- Rear window defogger and door mirror defogger are supplied with power and operate when rear window defogger relay and heated mirror relay turn ON.
- Rear window defogger ON is displayed when signal is received.

Timer function

- BCM turns rear window defogger relay and heated mirror relay ON for approximately 15 minutes when rear window defogger switch is turned ON while ignition switch is ON. It makes rear window defogger and door mirror defogger operate.
- Timer is canceled after pressing rear window defogger switch again during timer operation. Then BCM turns rear window defogger relay and heated mirror relay OFF. The same reaction also occurs during timer operation, if the ignition switch is turned OFF.

INPUT/OUTPUT SIGNAL CHART

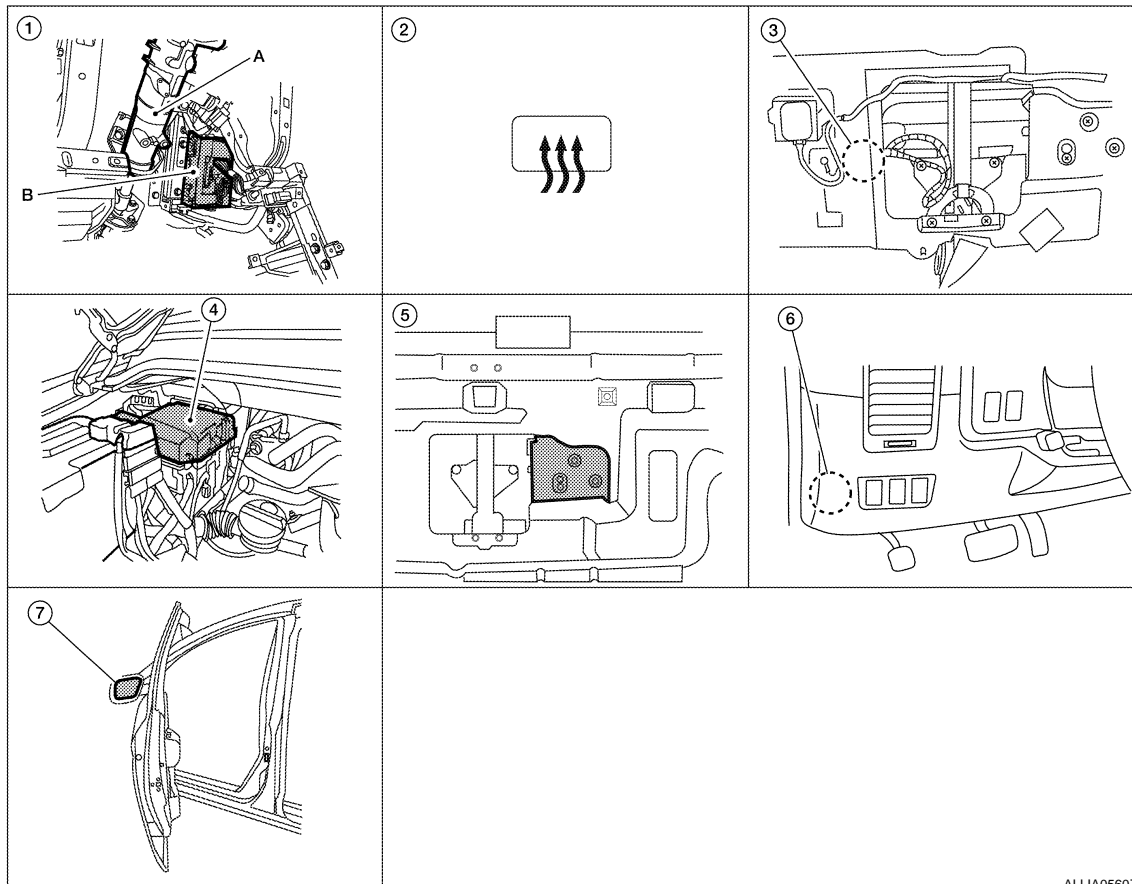
Switch	Input signal to BCM	BCM function	Acuator
Rear window defogger switch	Defogger switch signal	Rear window defogger and door mirror defogger control (if equipped)	Rear window defogger Door mirror defogger (if equipped)
Ignition switch	Ignition signal		

REAR WINDOW DEFOGGER SYSTEM

< FUNCTION DIAGNOSIS >

Component Parts Location

INFOID:000000001677615



ALLIA0560ZZ

- | | | |
|---|--|--|
| <p>1. A. Steering column
B. BCM M18, M20 (view with instrument panel removed)</p> | <p>2. Front air control M49, M50</p> | <p>3. Rear window defogger connectors B78, B81</p> |
| <p>4. IPDM E/R E120, E122, E124</p> | <p>5. Rear power drop glass motor (def cut-off switch) M80</p> | <p>6. Rear window defogger cut-off relay M152</p> |
| <p>7. Door mirror LH (door mirror defogger) D4 (if equipped)
Door mirror RH (door mirror defogger) D107 (if equipped)</p> | | |

Component Description

INFOID:000000001677616

BCM	<ul style="list-style-type: none"> Operates the rear window defogger with the operation of rear window defogger switch. Performs the timer control of rear window defogger.
Rear window defogger relay	<ul style="list-style-type: none"> Operates the rear window defogger and the heated mirror relay (if equipped) with the control signal from BCM.
Front air control (rear window defogger switch)	<ul style="list-style-type: none"> The rear window defogger switch is turned ON. Turns the indicator lamp ON when detecting the operation of rear window defogger.
Rear window defogger	<ul style="list-style-type: none"> Heats the heating wire with the power supply from the rear window defogger relay to prevent the rear window from fogging up.
Door mirror defogger (if equipped)	<ul style="list-style-type: none"> Heats the heating wire with the power supply from the heated mirror relay to prevent the door mirror from fogging up.

DIAGNOSIS SYSTEM (BCM)

< FUNCTION DIAGNOSIS >

DIAGNOSIS SYSTEM (BCM)

COMMON ITEM

COMMON ITEM : CONSULT-III Function (BCM - COMMON ITEM)

INFOID:000000001677617

APPLICATION ITEM

CONSULT-III performs the following functions via CAN communication with BCM.

Diagnosis mode	Function Description
WORK SUPPORT	Changes the setting for each system function.
SELF-DIAG RESULTS	Displays the diagnosis results judged by BCM. Refer to BCS-47, "DTC Index" .
CAN DIAG SUPPORT MNTR	Monitors the reception status of CAN communication viewed from BCM.
DATA MONITOR	The BCM input/output signals are displayed.
ACTIVE TEST	The signals used to activate each device are forcibly supplied from BCM.
ECU IDENTIFICATION	The BCM part number is displayed.
CONFIGURATION	This function is not used even though it is displayed.

SYSTEM APPLICATION

BCM can perform the following functions for each system.

NOTE:

It can perform the diagnosis modes except the following for all subsystem selection items.

System	Sub system selection item	Diagnosis mode		
		WORK SUPPORT	DATA MONITOR	ACTIVE TEST
Rear window defogger	REAR DEFOGGER		×	×
BCM	BCM	×		

REAR WINDOW DEFOGGER

REAR WINDOW DEFOGGER : CONSULT-III Function (BCM - REAR DEFOGGER)

INFOID:000000001677618

Data monitor

Monitor Item	Description
REAR DEF SW	Indicates [ON/OFF] condition of rear window defogger switch.
IGN SW	Indicates [ON/OFF] condition of ignition switch.

ACTIVE TEST

Test Item	Description
REAR DEFOGGER	This test is able to check rear window defogger operation. Rear window defogger operates when "ON" on CONSULT-III screen is touched.

CAN COMMUNICATION

< FUNCTION DIAGNOSIS >

CAN COMMUNICATION

System Description

INFOID:000000001677619

Refer to [LAN-4. "System Description"](#).

REAR WINDOW DEFOGGER SWITCH

< COMPONENT DIAGNOSIS >

COMPONENT DIAGNOSIS

REAR WINDOW DEFOGGER SWITCH

Description

INFOID:000000001677620

- The rear window defogger is operated by turning the rear window defogger switch ON.
- Turns the indicator lamp in the rear window defogger switch ON when operating the rear window defogger.

Component Function Check (With Center Console or Auto A/C)

INFOID:000000001677621

1. CHECK REAR WINDOW DEFOGGER SWITCH FUNCTION

Check that the indicator lamp of rear window defogger illuminates with rear window defogger switch ON.

Is the inspection result normal?

- YES >> Rear window defogger switch function is OK.
- NO >> Refer to [DEF-9. "Diagnosis Procedure \(With Center Console or Auto A/C\)".](#)

Component Function Check (Without Center Console or Auto A/C)

INFOID:000000001678394

1. CHECK REAR WINDOW DEFOGGER SWITCH FUNCTION

Check that the indicator lamp of rear window defogger illuminates with rear window defogger switch ON.

Is the inspection result normal?

- YES >> Rear window defogger switch function is OK.
- NO >> Refer to [DEF-9. "Diagnosis Procedure \(Without Center Console or Auto A/C\)".](#)

Diagnosis Procedure (With Center Console or Auto A/C)

INFOID:000000001677622

1. CHECK FRONT AIR CONTROL (REAR WINDOW DEFOGGER SWITCH) CIRCUIT

Does rear window defogger switch operate normally?

Is the inspection result normal?

- YES >> Inspection End.
- NO >> GO TO 2

2. CHECK HARNESS CONTINUITY

1. Turn ignition switch OFF.
2. Disconnect BCM and front air control.
3. Check continuity between BCM connector (A) and front air control connector (B).

BCM connector	Terminal	Front air control connector	Terminal	Continuity
M18 (A)	9	M49 (B)	16	Yes

4. Check continuity between BCM connector (A) and ground.

BCM connector	Terminal	Ground	Continuity
M18 (A)	9		No

Is the inspection result normal?

- YES >> Replace front air control. Refer to [VTL-8. "Removal and Installation".](#)
- NO >> Repair or replace harness.

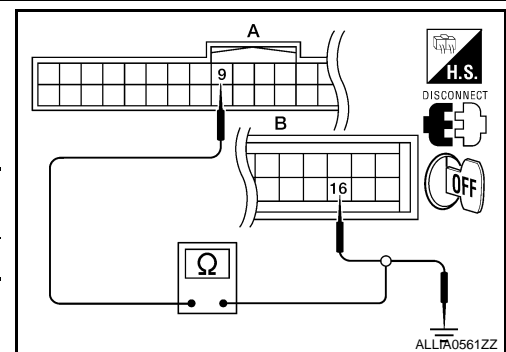
Diagnosis Procedure (Without Center Console or Auto A/C)

INFOID:000000001678395

1. CHECK FRONT AIR CONTROL (REAR WINDOW DEFOGGER SWITCH) CIRCUIT

Does rear window defogger switch operate normally?

Is the inspection result normal?



A
B
C
D
E
F
G
H
I
J
K
M
N
O
P

DEF

REAR WINDOW DEFOGGER SWITCH

< COMPONENT DIAGNOSIS >

YES >> Inspection End.

NO >> GO TO 2

2. CHECK HARNESS CONTINUITY

1. Turn ignition switch OFF.
2. Disconnect BCM and front air control.
3. Check continuity between BCM connector (A) and front air control connector (B).

BCM connector	Terminal	Front air control connector	Terminal	Continuity
M18 (A)	9	M49 (B)	11	Yes

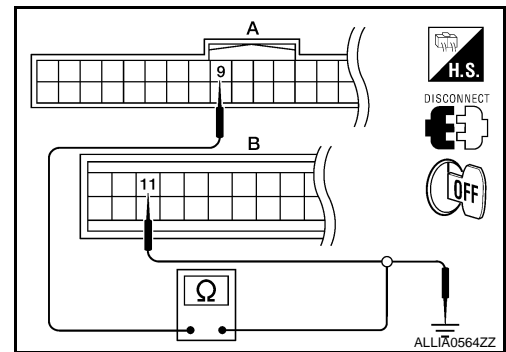
4. Check continuity between BCM connector (A) and ground.

BCM connector	Terminal	Ground	Continuity
M18 (A)	9		No

Is the inspection result normal?

YES >> Replace front air control. Refer to [VTL-8, "Removal and Installation"](#).

NO >> Repair or replace harness.



REAR WINDOW DEFOGGER RELAY

< COMPONENT DIAGNOSIS >

REAR WINDOW DEFOGGER RELAY

Description

INFOID:000000001677623

Power is supplied to the rear window defogger with BCM control.

Component Function Check

INFOID:000000001677624

1. CHECK REAR WINDOW DEFOGGER RELAY POWER SUPPLY CIRCUIT

Check that an operation noise of rear window defogger relay (located in IPDM E/R) can be heard when turning the rear window defogger switch ON.

Is the inspection result normal?

- YES >> Rear window defogger relay power supply circuit is OK.
- NO >> Refer to [DEF-11, "Diagnosis Procedure"](#).

Diagnosis Procedure

INFOID:000000001677625

1. CHECK FUSES

Check if any of the following fuses in the IPDM E/R are blown.

COMPONENT PARTS	AMPERE	FUSE NO.
IPDM E/R	15A	46
IPDM E/R	15A	47

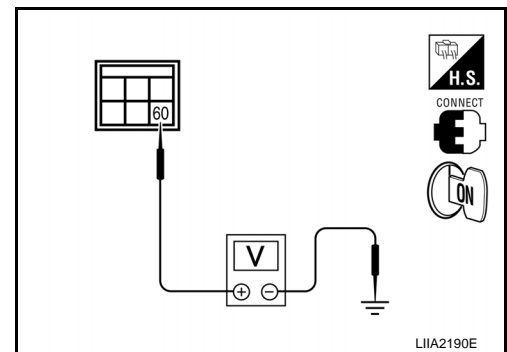
Is the inspection result normal?

- YES >> GO TO 2
- NO >> If fuse is blown, be sure to eliminate cause of malfunction before installing new fuse.

2. CHECK REAR WINDOW DEFOGGER RELAY POWER SUPPLY CIRCUIT

1. Turn ignition switch ON.
2. Check voltage between IPDM E/R connector and ground.

Terminals		(-)	Condition of rear window defogger switch	Voltage (V) (Approx.)
(+)	Terminal			
IPDM E/R connector		Ground	ON	Battery voltage
E124	60		OFF	0



Is the inspection result normal?

- YES >> GO TO 3
- NO >> Replace IPDM E/R. Refer to [PCS-30, "Removal and Installation of IPDM E/R"](#).

3. CHECK INTERMITTENT INCIDENT

Check intermittent incident.
Refer to [GI-41, "Intermittent Incident"](#).

Is the inspection result normal?

- YES >> Check the following.
 - Battery power supply circuit.
 - IPDM E/R.
- NO >> Repair or replace the malfunctioning parts.

REAR WINDOW DEFOGGER SYSTEM

< COMPONENT DIAGNOSIS >

REAR WINDOW DEFOGGER SYSTEM

Description

INFOID:000000001677626

Heats the heating wire with the power supply from the rear window defogger relay to prevent the rear window from fogging up.

Component Function Check

INFOID:000000001677627

1. CHECK REAR WINDOW DEFOGGER

Check that the heating wire of rear window defogger is heated when turning the rear window defogger switch ON.

Is the inspection result normal?

- YES >> Rear window defogger is OK.
- NO >> Refer to [DEF-12, "Diagnosis Procedure"](#).

Diagnosis Procedure

INFOID:000000001677628

1. CHECK FUSES

Check if any of the following fuses in IPDM E/R are blown.

COMPONENT PARTS	AMPERE	FUSE NO.
IPDM E/R	15A	46
	15A	47

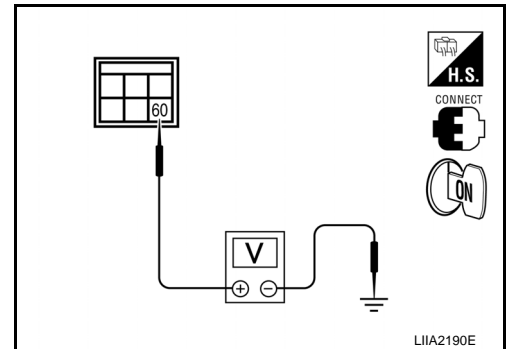
Is the inspection result normal?

- YES >> GO TO 2
- NO >> If fuse is blown, be sure to eliminate cause of malfunction before installing new fuse.

2. CHECK REAR WINDOW DEFOGGER RELAY POWER SUPPLY CIRCUIT

1. Turn ignition switch ON.
2. Check voltage between IPDM E/R connector and ground.

Terminals		(-)	Condition of rear window defogger switch	Voltage (V) (Approx.)
(+)				
IPDM E/R connector	Terminal			
E124	60	Ground	ON	Battery voltage
			OFF	0



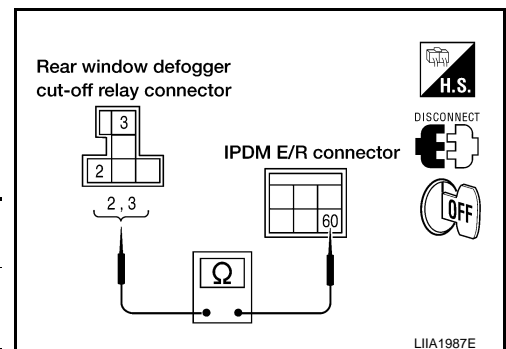
Is the inspection result normal?

- YES >> GO TO 3
- NO >> Replace IPDM E/R. Refer to [PCS-30, "Removal and Installation of IPDM E/R"](#).

3. CHECK REAR WINDOW DEFOGGER POWER CIRCUIT HARNESS CONTINUITY

1. Turn ignition switch OFF.
2. Disconnect IPDM E/R and rear window defogger cut-off relay.
3. Check continuity between IPDM E/R connector E124 terminal 60 and rear window defogger cut-off relay connector M152 terminals 2 and 3.

IPDM E/R connector	Terminal	Rear window defogger cut-off relay connector	Terminal	Continuity
E124	60	M152	2	Yes
			3	



REAR WINDOW DEFOGGER SYSTEM

< COMPONENT DIAGNOSIS >

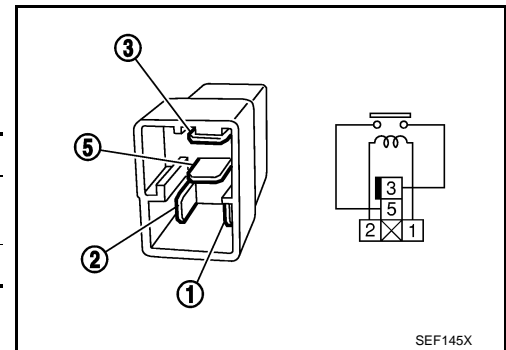
Is the inspection result normal?

- YES >> GO TO 4
- NO >> Repair or replace harness.

4. INSPECTION OF REAR POWER WINDOW DEFOGGER CUT-OFF RELAY

1. Disconnect rear window defogger cut-off relay.
2. Check continuity between rear window defogger cut-off relay terminals 3 and 5.

Condition	Continuity
12V direct current supply between terminals 1 and 2	Yes
No current supply	No



Is the inspection result normal?

- YES >> GO TO 5
- NO >> Replace rear window defogger cut-out relay.

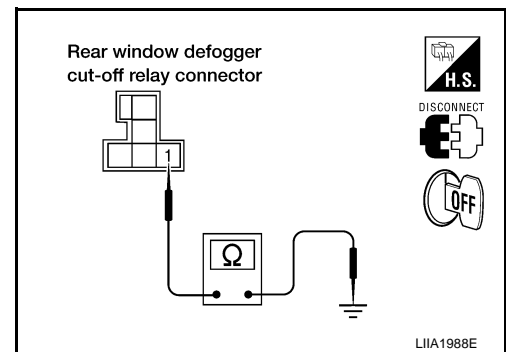
5. CHECK REAR WINDOW DEFOGGER CUT-OFF RELAY GROUND CIRCUIT

1. Place rear power drop glass in the closed (UP) position.
2. Check continuity between rear window defogger cut-off relay connector M152 terminal 1 and ground.

1 - Ground : Continuity should exist.

Is the inspection result normal?

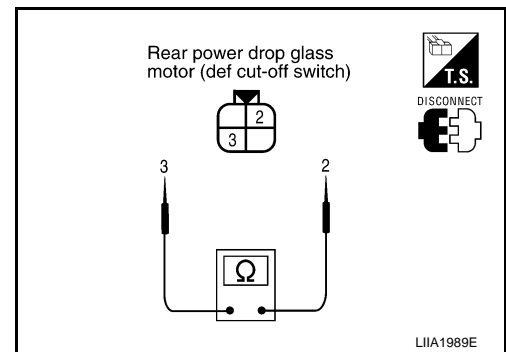
- YES >> GO TO 7
- NO >> GO TO 6



6. CHECK REAR POWER DROP GLASS MOTOR (DEF CUT-OFF SWITCH)

1. Disconnect rear power drop glass motor (def cut-off switch).
2. Check continuity between rear power drop glass motor (def cut-off switch) terminals 2 and 3.

Terminal	Rear power drop glass position	Continuity
2	Closed (UP)	Yes
	Open (DOWN) more than 18 mm	No

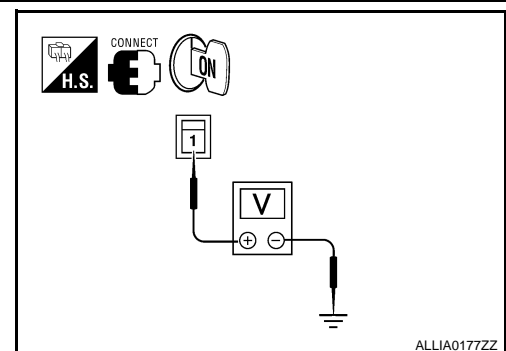


Is the inspection result normal?

- YES >> Repair or replace harness.
- NO >> Replace rear power drop glass motor (def cut-off switch).

7. CHECK POWER SUPPLY CIRCUIT

1. Turn ignition switch ON.
2. Check voltage between rear window defogger connector and ground.



REAR WINDOW DEFOGGER SYSTEM

< COMPONENT DIAGNOSIS >

Terminals		(-)	Condition of rear window defogger switch	Voltage (V) (Approx.)
(+)				
Rear window defogger connector	Terminal			
B78	1	Ground	ON	Battery voltage
			OFF	0

Is the inspection result normal?

YES >> GO TO 8

NO >> Repair or replace harness.

8. CHECK GROUND CIRCUIT

1. Turn ignition switch OFF.
2. Disconnect rear window defogger.
3. Check continuity between rear window defogger connector and ground.

Rear window defogger connector	Terminal	Ground	Continuity
B81	2		Yes

Is the inspection result normal?

YES >> GO TO 9

NO >> Repair or replace harness.

9. CHECK FILAMENT

Check filament.

Refer to [DEF-14, "Component Inspection"](#).

Is the inspection result normal?

YES >> Refer to [GI-41, "Intermittent Incident"](#).

NO >> Repair filament. Refer to [DEF-40, "Filament Repair"](#).

Component Inspection

INFOID:000000001677629

1. CHECK FILAMENT

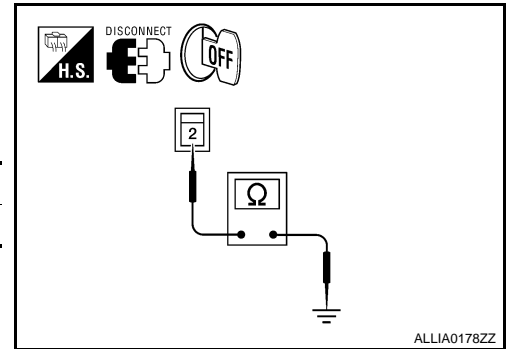
Check the filament for damage or open circuits.

Refer to [DEF-40, "Filament Check"](#).

Is the inspection result normal?

YES >> Inspection End.

NO >> Repair filament. Refer to [DEF-40, "Filament Repair"](#).



DOOR MIRROR DEFOGGER LH (WITHOUT AUTOMATIC DRIVE POSITIONER)

< COMPONENT DIAGNOSIS >

DOOR MIRROR DEFOGGER LH (WITHOUT AUTOMATIC DRIVE POSITIONER)

Description

INFOID:000000001677630

Heats the heating wire with the power supply from the rear window defogger relay to prevent the door mirror from fogging up.

Component Function Check

INFOID:000000001677631

1. CHECK DOOR MIRROR DEFOGGER LH

Check that heating wire of door mirror defogger LH is heated when turning the rear window defogger switch ON.

Is the inspection result normal?

- YES >> Door mirror defogger is OK.
- NO >> Refer to [DEF-15. "Diagnosis Procedure"](#).

Diagnosis Procedure

INFOID:000000001677632

1. CHECK POWER SUPPLY

Check if the following fuse in the IPDM E/R is blown.

COMPONENT PARTS	AMPERE	FUSE NO.
IPDM E/R	15A	43

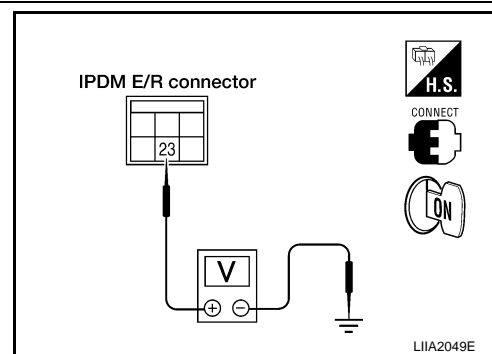
Is the inspection result normal?

- YES >> GO TO 2
- NO >> If fuse is blown, be sure to eliminate cause of malfunction before installing new fuse.

2. CHECK DOOR MIRROR DEFOGGER POWER SUPPLY CIRCUIT

Check voltage between IPDM E/R connector and ground.

Connector	Terminal		Condition	Voltage (V) (Approx.)
	(+)	(-)		
E120	23	Ground	Rear window defogger switch ON	Battery voltage
			Rear window defogger switch OFF	0



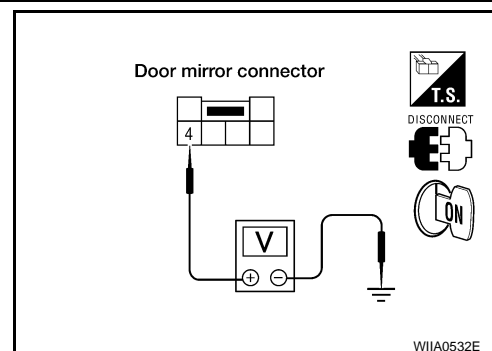
Is the inspection result normal?

- YES >> GO TO 3
- NO >> Replace IPDM E/R. Refer to [PCS-30. "Removal and Installation of IPDM E/R"](#).

3. CHECK DOOR MIRROR DEFOGGER POWER SUPPLY CIRCUIT

1. Turn ignition switch OFF.
2. Disconnect door mirror LH.
3. Turn ignition switch ON.
4. Check voltage between door mirror LH connector and ground.

Connector	Terminal		Condition	Voltage (V) (Approx.)
	(+)	(-)		
D4	4	Ground	Rear window defogger switch ON	Battery voltage
			Rear window defogger switch OFF	0



Is the inspection result normal?

DOOR MIRROR DEFOGGER LH (WITHOUT AUTOMATIC DRIVE POSITIONER)

< COMPONENT DIAGNOSIS >

- YES >> GO TO 4
NO >> Repair or replace harness.

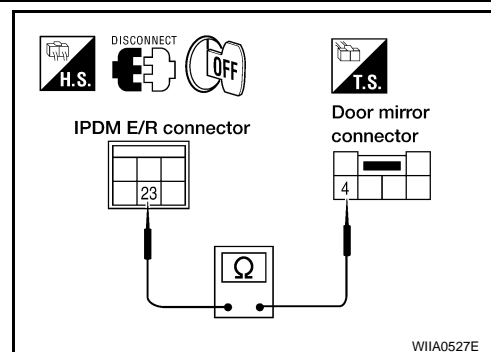
4. CHECK DOOR MIRROR DEFOGGER CIRCUIT

1. Turn ignition switch OFF.
2. Disconnect IPDM E/R and door mirror LH.
3. Check continuity between IPDM E/R connector E120 terminal 23 and door mirror LH connector D4 terminal 4.

23 - 4 : Continuity should exist.

Is the inspection result normal?

- YES >> GO TO 5
NO >> Repair or replace harness.



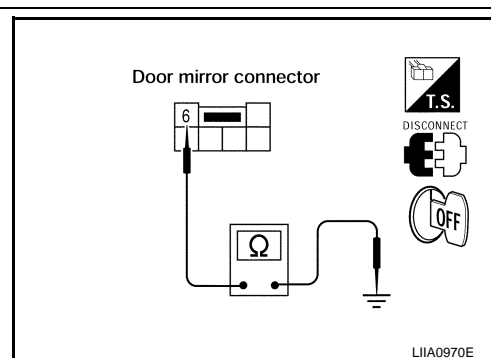
5. CHECK DOOR MIRROR DEFOGGER GROUND CIRCUIT

Check continuity between door mirror LH connector D4 terminal 6 and ground.

6 - Ground : Continuity should exist.

Is the inspection result normal?

- YES >> GO TO 6
NO >> Repair or replace harness.



6. CHECK DOOR MIRROR DEFOGGER LH

Check door mirror defogger LH.
Refer to [DEF-16, "Component Inspection"](#).

Is the inspection result normal?

- YES >> GO TO 7
NO >> Replace door mirror. Refer to [MIR-23, "Door Mirror Assembly"](#).

7. CHECK INTERMITTENT INCIDENT

Check intermittent incident.
Refer to [GI-41, "Intermittent Incident"](#).

Is the inspection result normal?

- YES >> Check the following.
- Battery power supply circuit.
 - IPDM E/R.
- NO >> Repair or replace the malfunctioning parts.

Component Inspection

INFOID:000000001677633

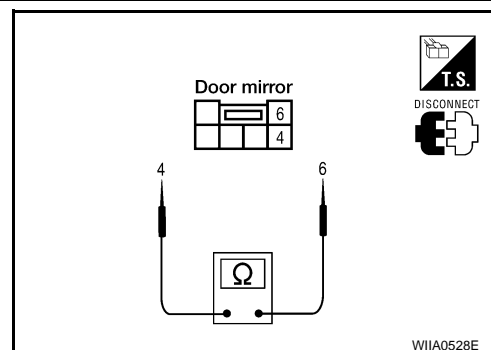
1. CHECK DOOR MIRROR DEFOGGER

Check continuity between door mirror LH terminals 4 and 6.

4 - 6 : Continuity should exist.

Is the inspection result normal?

- YES >> Check the condition of the harness and the connector.
NO >> Replace malfunctioning door mirror LH. Refer to [MIR-23, "Door Mirror Assembly"](#).



DOOR MIRROR DEFOGGER LH (WITH AUTOMATIC DRIVE POSITIONER)

< COMPONENT DIAGNOSIS >

DOOR MIRROR DEFOGGER LH (WITH AUTOMATIC DRIVE POSITIONER)

Description

INFOID:000000001677634

Heats the heating wire with the power supply from the rear window defogger relay to prevent the door mirror from fogging up.

Component Function Check

INFOID:000000001677635

1. CHECK DOOR MIRROR DEFOGGER LH

Check that heating wire of door mirror defogger LH is heated when turning the rear window defogger switch ON.

Is the inspection result normal?

- YES >> Door mirror defogger is OK.
- NO >> Refer to [DEF-17. "Diagnosis Procedure"](#).

Diagnosis Procedure

INFOID:000000001677636

1. CHECK POWER SUPPLY

Check if the following fuse in the IPDM E/R is blown.

COMPONENT PARTS	AMPERE	FUSE NO.
IPDM E/R	15A	43

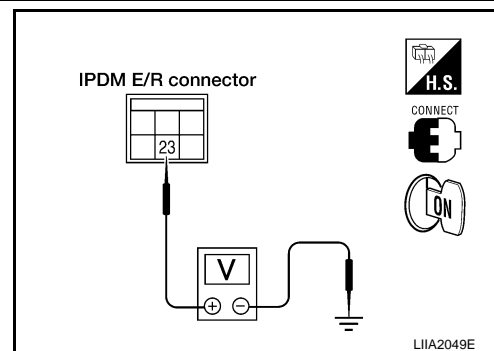
Is the inspection result normal?

- YES >> GO TO 2
- NO >> If fuse is blown, be sure to eliminate cause of malfunction before installing new fuse.

2. CHECK DOOR MIRROR DEFOGGER POWER SUPPLY CIRCUIT

Check voltage between IPDM E/R connector and ground.

Connector	Terminal		Condition	Voltage (V) (Approx.)
	(+)	(-)		
E120	23	Ground	Rear window defogger switch ON	Battery voltage
			Rear window defogger switch OFF	0



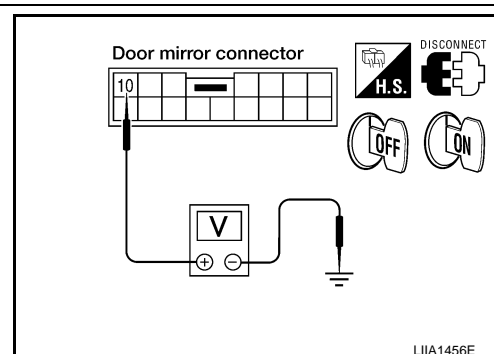
Is the inspection result normal?

- YES >> GO TO 3
- NO >> Replace IPDM E/R. Refer to [PCS-30. "Removal and Installation of IPDM E/R"](#).

3. CHECK DOOR MIRROR DEFOGGER POWER SUPPLY CIRCUIT 2

1. Turn ignition switch OFF.
2. Disconnect door mirror LH.
3. Turn ignition switch ON.
4. Check voltage between door mirror LH connector and ground.

Connector	Terminal		Condition	Voltage (V) (Approx.)
	(+)	(-)		
D4	10	Ground	Rear window defogger switch ON	Battery voltage
			Rear window defogger switch OFF	0



Is the inspection result normal?

- YES >> GO TO 4

DOOR MIRROR DEFOGGER LH (WITH AUTOMATIC DRIVE POSITIONER)

< COMPONENT DIAGNOSIS >

NO >> Repair or replace harness.

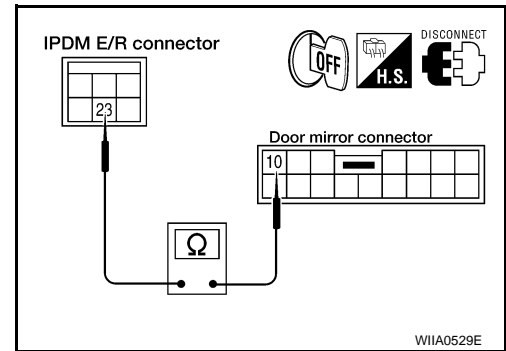
4. CHECK DOOR MIRROR DEFOGGER CIRCUIT

1. Turn ignition switch OFF.
2. Disconnect IPDM E/R and door mirror LH.
3. Check continuity between IPDM E/R connector E120 terminal 23 and door mirror LH connector D4 terminal 10.

23 - 10 : Continuity should exist.

Is the inspection result normal?

- YES >> GO TO 5
NO >> Repair or replace harness.



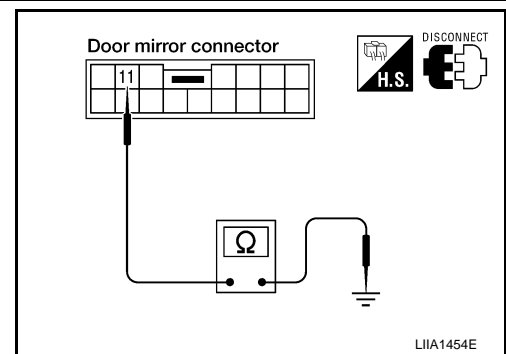
5. CHECK DOOR MIRROR DEFOGGER GROUND CIRCUIT

Check continuity between door mirror LH connector D4 terminal 11 and ground.

11 - Ground : Continuity should exist.

Is the inspection result normal?

- YES >> GO TO 6
NO >> Repair or replace harness.



6. CHECK DOOR MIRROR DEFOGGER LH

Check door mirror defogger LH.

Refer to [DEF-18, "Component Inspection"](#).

Is the inspection result normal?

- YES >> GO TO 7
NO >> Replace door mirror. Refer to [MIR-23, "Door Mirror Assembly"](#).

7. CHECK INTERMITTENT INCIDENT

Check intermittent incident.

Refer to [GI-41, "Intermittent Incident"](#).

Is the inspection result normal?

- YES >> Check the following.
- Battery power supply circuit.
 - IPDM E/R.
- NO >> Repair or replace the malfunctioning parts.

Component Inspection

INFOID:000000001677637

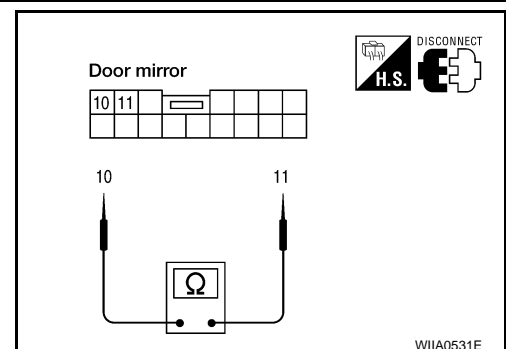
1. CHECK DOOR MIRROR DEFOGGER

Check continuity between door mirror LH terminals 10 and 11.

10 - 11 : Continuity should exist.

Is the inspection result normal?

- YES >> Check the condition of the harness and the connector.
NO >> Replace malfunctioning door mirror LH. Refer to [MIR-23, "Door Mirror Assembly"](#).



DOOR MIRROR DEFOGGER RH (WITHOUT AUTOMATIC DRIVE POSITIONER)

< COMPONENT DIAGNOSIS >

DOOR MIRROR DEFOGGER RH (WITHOUT AUTOMATIC DRIVE POSITIONER)

Description

INFOID:000000001677638

Heats the heating wire with the power supply from the rear window defogger relay to prevent the door mirror from fogging up.

Component Function Check

INFOID:000000001677639

1. CHECK DOOR MIRROR DEFOGGER RH

Check that the heating wire of door mirror defogger RH is heated when turning the rear window defogger switch ON.

Is the inspection result normal?

- YES >> Door mirror defogger RH is OK.
- NO >> Refer to [DEF-19. "Diagnosis Procedure"](#).

Diagnosis Procedure

INFOID:000000001677640

1. CHECK POWER SUPPLY

Check if the following fuse in the IPDM E/R is blown.

COMPONENT PARTS	AMPERE	FUSE NO.
IPDM E/R	15A	43

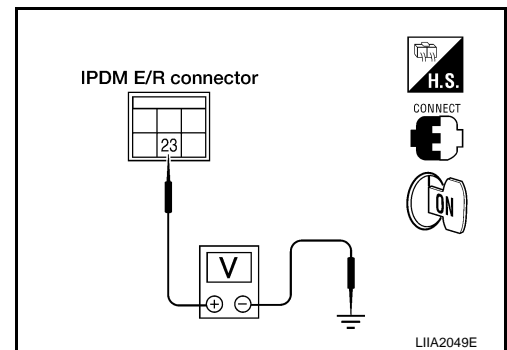
Is the inspection result normal?

- YES >> GO TO 2
- NO >> If fuse is blown, be sure to eliminate cause of malfunction before installing new fuse.

2. CHECK DOOR MIRROR DEFOGGER POWER SUPPLY CIRCUIT

Check voltage between IPDM E/R connector and ground.

Connector	Terminal		Condition	Voltage (V) (Approx.)
	(+)	(-)		
E120	23	Ground	Rear window defogger switch ON	Battery voltage
			Rear window defogger switch OFF	0



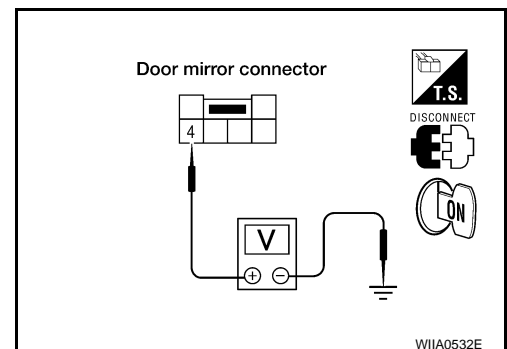
Is the inspection result normal?

- YES >> GO TO 3
- NO >> Replace IPDM E/R. Refer to [PCS-30. "Removal and Installation of IPDM E/R"](#).

3. CHECK DOOR MIRROR DEFOGGER POWER SUPPLY CIRCUIT

1. Turn ignition switch OFF.
2. Disconnect door mirror RH.
3. Turn ignition switch ON.
4. Check voltage between door mirror RH connector and ground.

Connector	Terminal		Condition	Voltage (V) (Approx.)
	(+)	(-)		
D107	4	Ground	Rear window defogger switch ON	Battery voltage
			Rear window defogger switch OFF	0



Is the inspection result normal?

DOOR MIRROR DEFOGGER RH (WITHOUT AUTOMATIC DRIVE POSITIONER)

< COMPONENT DIAGNOSIS >

- YES >> GO TO 4
NO >> Repair or replace harness.

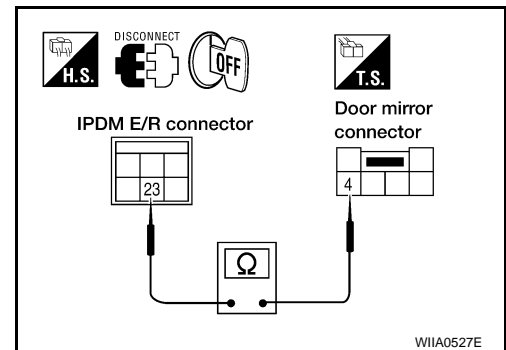
4. CHECK DOOR MIRROR DEFOGGER CIRCUIT

1. Turn ignition switch OFF.
2. Disconnect IPDM E/R and door mirror RH.
3. Check continuity between IPDM E/R connector E120 terminal 23 and door mirror RH connector D107 terminal 4.

23 - 4 : Continuity should exist.

Is the inspection result normal?

- YES >> GO TO 5
NO >> Repair or replace harness.



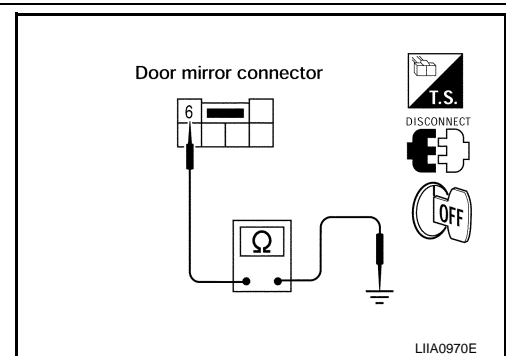
5. CHECK DOOR MIRROR DEFOGGER GROUND CIRCUIT

Check continuity between door mirror RH connector D107 terminal 6 and ground.

6 - Ground : Continuity should exist.

Is the inspection result normal?

- YES >> GO TO 6
NO >> Repair or replace harness.



6. CHECK DOOR MIRROR DEFOGGER RH

Check door mirror defogger RH.
Refer to [DEF-20, "Component Inspection"](#).

Is the inspection result normal?

- YES >> GO TO 7
NO >> Replace door mirror. Refer to [MIR-23, "Door Mirror Assembly"](#).

7. CHECK INTERMITTENT INCIDENT

Check intermittent incident.
Refer to [GI-41, "Intermittent Incident"](#).

Is the inspection result normal?

- YES >> Check the following.
- Battery power supply circuit.
 - IPDM E/R.
- NO >> Repair or replace the malfunctioning parts.

Component Inspection

INFOID:000000001677641

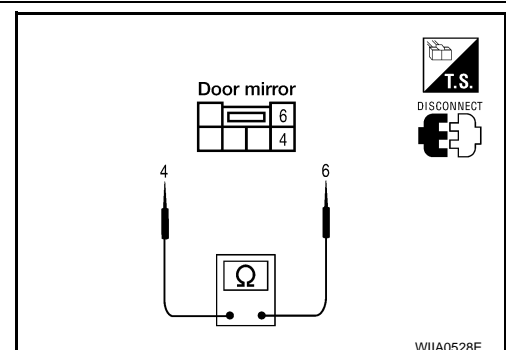
1. CHECK DOOR MIRROR DEFOGGER

Check continuity between door mirror RH terminals 4 and 6.

4 - 6 : Continuity should exist.

Is the inspection result normal?

- YES >> Check the condition of the harness and the connector.
NO >> Replace malfunctioning door mirror RH. Refer to [MIR-23, "Door Mirror Assembly"](#).



DOOR MIRROR DEFOGGER RH (WITH AUTOMATIC DRIVE POSITIONER)

< COMPONENT DIAGNOSIS >

DOOR MIRROR DEFOGGER RH (WITH AUTOMATIC DRIVE POSITIONER)

Description

INFOID:000000001677642

Heats the heating wire with the power supply from the rear window defogger relay to prevent the door mirror from fogging up.

Component Function Check

INFOID:000000001677643

1. CHECK DOOR MIRROR DEFOGGER RH

Check that the heating wire of door mirror defogger RH is heated when turning the rear window defogger switch ON.

Is the inspection result normal?

- YES >> Door mirror defogger RH is OK.
- NO >> Refer to [DEF-21. "Diagnosis Procedure"](#).

Diagnosis Procedure

INFOID:000000001677644

1. CHECK POWER SUPPLY

Check if the following fuse in the IPDM E/R is blown.

COMPONENT PARTS	AMPERE	FUSE NO.
IPDM E/R	15A	43

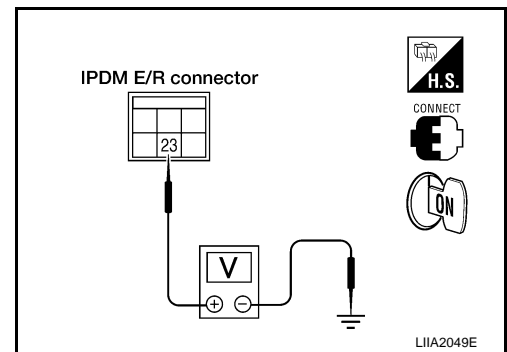
Is the inspection result normal?

- YES >> GO TO 2
- NO >> If fuse is blown, be sure to eliminate cause of malfunction before installing new fuse.

2. CHECK DOOR MIRROR DEFOGGER POWER SUPPLY CIRCUIT

Check voltage between IPDM E/R connector and ground.

Connector	Terminal		Condition	Voltage (V) (Approx.)
	(+)	(-)		
E120	23	Ground	Rear window defogger switch ON	Battery voltage
			Rear window defogger switch OFF	0



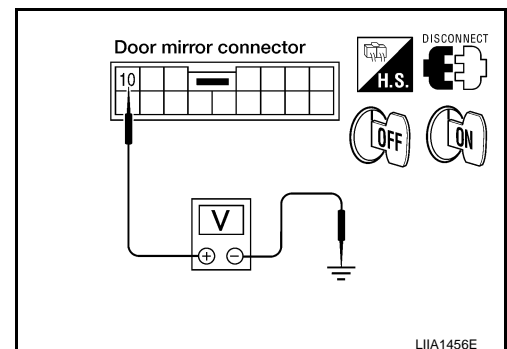
Is the inspection result normal?

- YES >> GO TO 3
- NO >> Replace IPDM E/R. Refer to [PCS-30. "Removal and Installation of IPDM E/R"](#).

3. CHECK DOOR MIRROR DEFOGGER POWER SUPPLY CIRCUIT 2

1. Turn ignition switch OFF.
2. Disconnect door mirror RH.
3. Turn ignition switch ON.
4. Check voltage between door mirror RH connector and ground.

Connector	Terminal		Condition	Voltage (V) (Approx.)
	(+)	(-)		
D107	10	Ground	Rear window defogger switch ON	Battery voltage
			Rear window defogger switch OFF	0



Is the inspection result normal?

DOOR MIRROR DEFOGGER RH (WITH AUTOMATIC DRIVE POSITIONER)

< COMPONENT DIAGNOSIS >

- YES >> GO TO 4
NO >> Repair or replace harness.

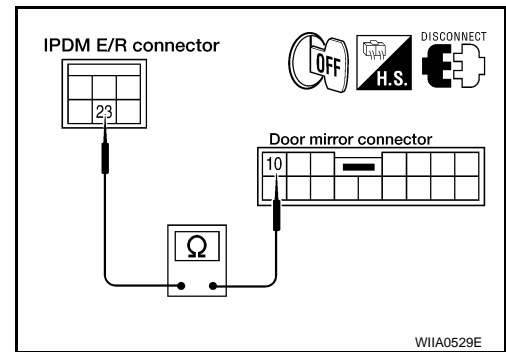
4. CHECK DOOR MIRROR DEFOGGER CIRCUIT

1. Turn ignition switch OFF.
2. Disconnect IPDM E/R and door mirror RH.
3. Check continuity between IPDM E/R connector E120 terminal 23 and door mirror RH connector D107 terminal 10.

23 - 10 : **Continuity should exist.**

Is the inspection result normal?

- YES >> GO TO 5
NO >> Repair or replace harness.



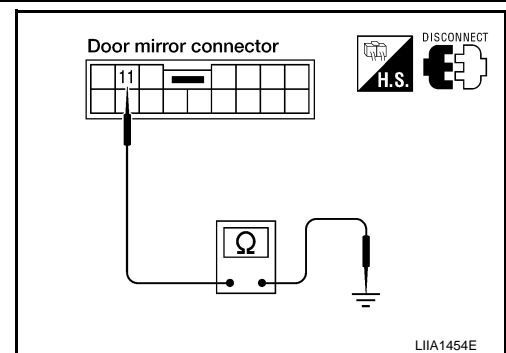
5. CHECK DOOR MIRROR DEFOGGER GROUND CIRCUIT

Check continuity between door mirror RH connector D107 terminal 11 and ground.

11 - Ground : **Continuity should exist.**

Is the inspection result normal?

- YES >> GO TO 6
NO >> Repair or replace harness.



6. CHECK DOOR MIRROR DEFOGGER RH

Check door mirror defogger RH.
Refer to [DEF-22, "Component Inspection"](#).

Is the inspection result normal?

- YES >> GO TO 7
NO >> Replace door mirror. Refer to [MIR-23, "Door Mirror Assembly"](#).

7. CHECK INTERMITTENT INCIDENT

Check intermittent incident.
Refer to [GI-41, "Intermittent Incident"](#).

Is the inspection result normal?

- YES >> Check the following.
- Battery power supply circuit.
 - IPDM E/R.
- NO >> Repair or replace the malfunctioning parts.

Component Inspection

INFOID:000000001677645

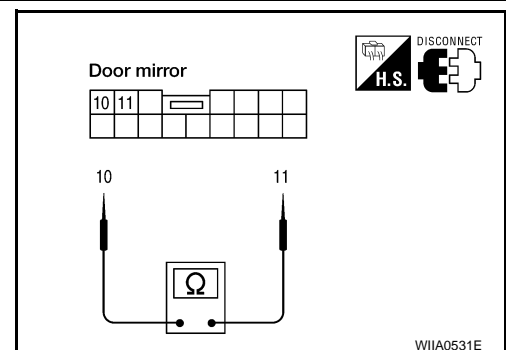
1. CHECK DOOR MIRROR DEFOGGER

Check continuity between door mirror RH terminals 10 and 11.

10 - 11 : **Continuity should exist.**

Is the inspection result normal?

- YES >> Check the condition of the harness and the connector.
NO >> Replace malfunctioning door mirror RH. Refer to [MIR-23, "Door Mirror Assembly"](#).



BCM (BODY CONTROL MODULE)

< ECU DIAGNOSIS >

ECU DIAGNOSIS

BCM (BODY CONTROL MODULE)

Reference Value

INFOID:000000001677646

VALUES ON THE DIAGNOSIS TOOL

Monitor Item	Condition	Value/Status
REAR DEF SW	NOTE: The item is indicated, but not monitored.	OFF

TERMINAL LAYOUT

Refer to [BCS-37, "Terminal Layout"](#).

PHYSICAL VALUES

Refer to [BCS-37, "Physical Values"](#).

A
B
C
D
E
F
G
H
I
J
K
DEF
M
N
O
P

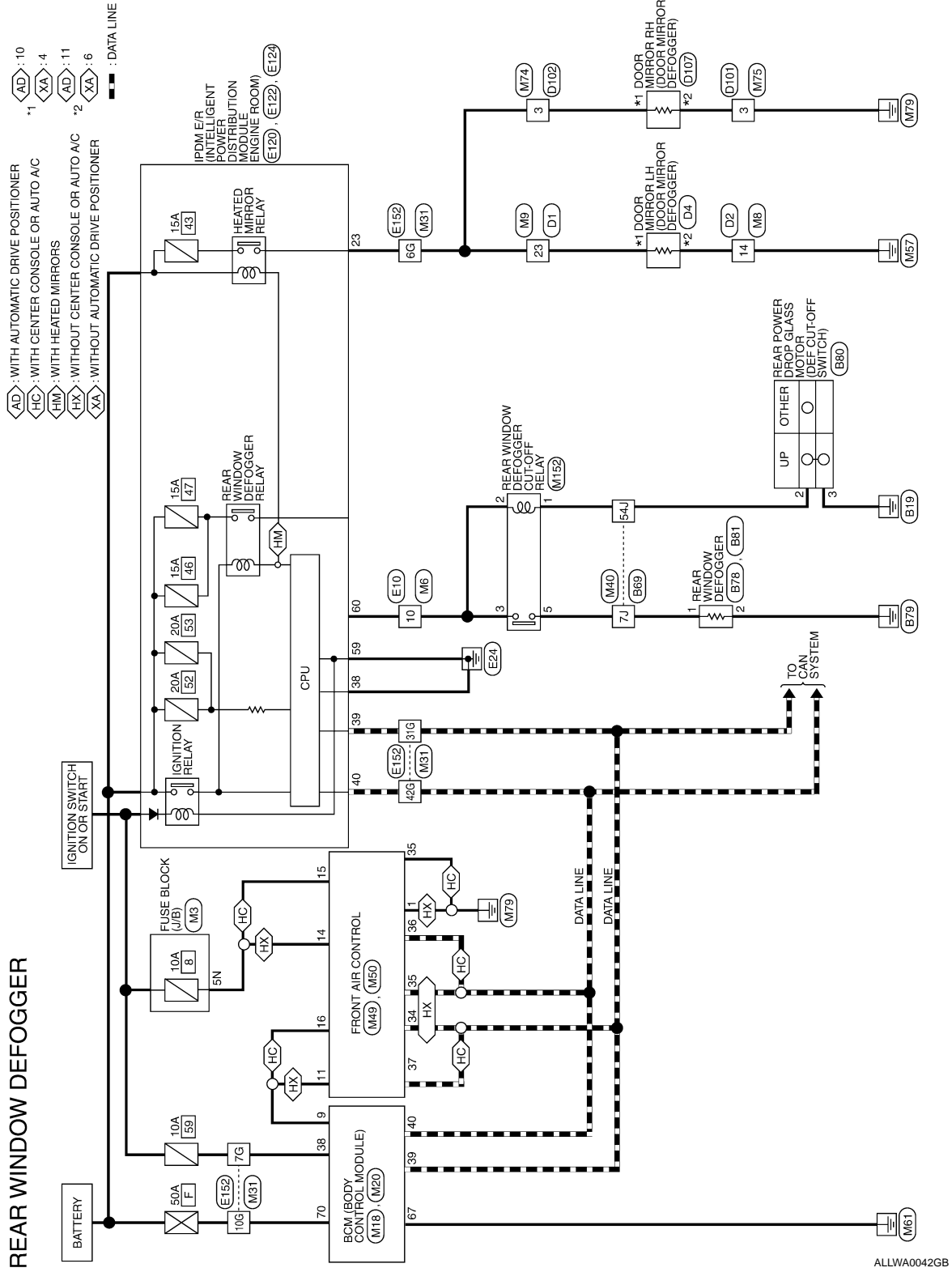
DEF

BCM (BODY CONTROL MODULE)

< ECU DIAGNOSIS >

Wiring Diagram

INFOID:000000001677647



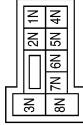
ALLWA0042GB

BCM (BODY CONTROL MODULE)

< ECU DIAGNOSIS >

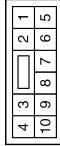
REAR WINDOW DEFOGGER CONNECTORS

Connector No.	M3
Connector Name	FUSE BLOCK (J/B)
Connector Color	WHITE



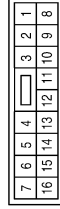
Terminal No.	5N	Color of Wire	Y/G	Signal Name	-
--------------	----	---------------	-----	-------------	---

Connector No.	M6
Connector Name	WIRE TO WIRE
Connector Color	WHITE



Terminal No.	10	Color of Wire	B/W	Signal Name	-
--------------	----	---------------	-----	-------------	---

Connector No.	M8
Connector Name	WIRE TO WIRE
Connector Color	WHITE



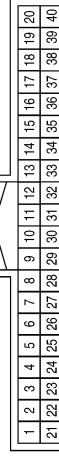
Terminal No.	14	Color of Wire	B	Signal Name	-
--------------	----	---------------	---	-------------	---

Connector No.	M9
Connector Name	WIRE TO WIRE
Connector Color	BROWN



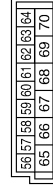
Terminal No.	23	Color of Wire	GR/W	Signal Name	-
--------------	----	---------------	------	-------------	---

Connector No.	M18
Connector Name	BCM (BODY CONTROL MODULE)
Connector Color	WHITE



Terminal No.	9	Color of Wire	Y/B	Signal Name	RR_DEF_SW
Terminal No.	38	Color of Wire	W/L	Signal Name	IGN
Terminal No.	39	Color of Wire	L	Signal Name	CAN-H
Terminal No.	40	Color of Wire	P	Signal Name	CAN-L

Connector No.	M20
Connector Name	BCM (BODY CONTROL MODULE)
Connector Color	BLACK



Terminal No.	67	Color of Wire	B	Signal Name	GND
Terminal No.	70	Color of Wire	W/B	Signal Name	BAT (F/L)

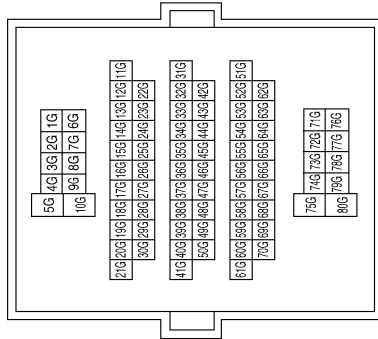
ALLIA0279GB

A
B
C
D
E
F
G
H
I
J
K
DEF
M
N
O
P

BCM (BODY CONTROL MODULE)

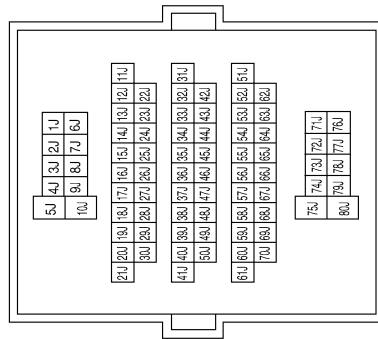
< ECU DIAGNOSIS >

Connector No.	M31
Connector Name	FUSE BLOCK (J/B)
Connector Color	WHITE



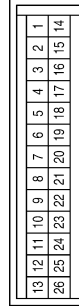
Terminal No.	Color of Wire	Signal Name
6G	GR/W	-
7G	W/L	-
10G	W/B	-
31G	L	-
42G	P	-

Connector No.	M40
Connector Name	WIRE TO WIRE
Connector Color	WHITE



Terminal No.	Color of Wire	Signal Name
7J	W/L	-
54J	W/R	-

Connector No.	M49
Connector Name	FRONT AIR CONTROL (WITH CENTER CONSOLE OR AUTO A/C)
Connector Color	BLACK




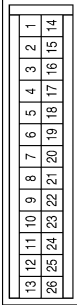
Terminal No.	Color of Wire	Signal Name
15	Y/G	IGN
16	Y/B	RR_DEF_REQUEST

ALLIA0280GB

BCM (BODY CONTROL MODULE)



< ECU DIAGNOSIS >

Connector No.	M49
Connector Name	FRONT AIR CONTROL (WITHOUT CENTER CONSOLE OR AUTO A/C)
Connector Color	BLACK


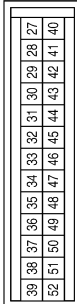
Terminal No.	Color of Wire	Signal Name
1	B	GND
11	Y/B	RR_DEF_REQUEST
14	Y/G	IGN

Connector No.	M50
Connector Name	FRONT AIR CONTROL (WITH CENTER CONSOLE OR AUTO A/C)
Connector Color	WHITE


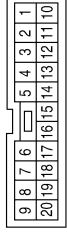
Terminal No.	Color of Wire	Signal Name
35	B	GND
36	P	CAN-L
37	L	CAN-H

Connector No.	M50
Connector Name	FRONT AIR CONTROL (WITHOUT CENTER CONSOLE OR AUTO A/C)
Connector Color	WHITE


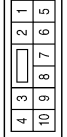
Terminal No.	Color of Wire	Signal Name
34	L	CAN-H
35	P	CAN-L

Connector No.	M74
Connector Name	WIRE TO WIRE
Connector Color	BROWN


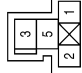
Terminal No.	Color of Wire	Signal Name
3	GR/W	-

Connector No.	M75
Connector Name	WIRE TO WIRE
Connector Color	WHITE

Terminal No.	Color of Wire	Signal Name
3	B	-

Connector No.	M152
Connector Name	REAR WINDOW DEFOGGER CUT-OFF RELAY
Connector Color	WHITE

Terminal No.	Color of Wire	Signal Name
1	W/R	-
2	B/W	-
3	B/W	-
5	W/L	-

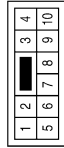
ALLIA0281GB

A
B
C
D
E
F
G
H
I
J
K
DEF
M
N
O
P

BCM (BODY CONTROL MODULE)

< ECU DIAGNOSIS >

Connector No.	E10
Connector Name	WIRE TO WIRE
Connector Color	WHITE



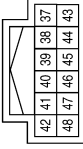
Terminal No.	Color of Wire	Signal Name
10	B/W	-

Connector No.	E120
Connector Name	IPDM E/R (INTELLIGENT POWER DISTRIBUTION MODULE ENGINE ROOM)
Connector Color	WHITE



Terminal No.	Color of Wire	Signal Name
23	GR/W	-

Connector No.	E122
Connector Name	IPDM E/R (INTELLIGENT POWER DISTRIBUTION MODULE ENGINE ROOM)
Connector Color	WHITE



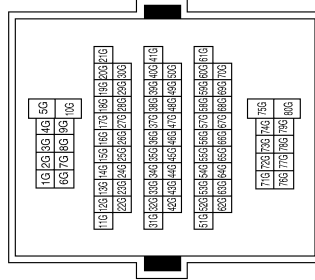
Terminal No.	Color of Wire	Signal Name
38	B	-
39	L	-
40	P	-

Connector No.	E124
Connector Name	IPDM E/R (INTELLIGENT POWER DISTRIBUTION MODULE ENGINE ROOM)
Connector Color	BLACK



Terminal No.	Color of Wire	Signal Name
59	B	-
60	B/W	-

Connector No.	E152
Connector Name	WIRE TO WIRE
Connector Color	WHITE



Terminal No.	Color of Wire	Signal Name
6G	GR/W	-
7G	W/L	-
10G	W/B	-
31G	L	-
42G	P	-

ALLIA0282GB

BCM (BODY CONTROL MODULE)

< ECU DIAGNOSIS >

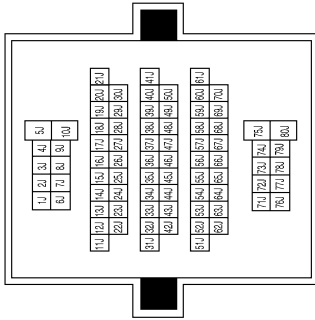
Connector No.	B78
Connector Name	REAR WINDOW DEFOGGER
Connector Color	BROWN



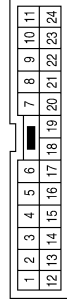
Terminal No.	Color of Wire	Signal Name
1	W/L	—

Terminal No.	Color of Wire	Signal Name
7J	W/L	—
54J	W/R	—

Connector No.	B69
Connector Name	WIRE TO WIRE
Connector Color	WHITE



Connector No.	D1
Connector Name	WIRE TO WIRE
Connector Color	BROWN



Terminal No.	Color of Wire	Signal Name
23	GR/W	—

Connector No.	B81
Connector Name	REAR WINDOW DEFOGGER
Connector Color	BROWN



Terminal No.	Color of Wire	Signal Name
2	B	—

Connector No.	B80
Connector Name	REAR POWER DROP GLASS MOTOR (DEF CUT-OFF SWITCH)
Connector Color	GRAY



Terminal No.	Color of Wire	Signal Name
2	W/R	—
3	B	—

ALLIA0283GB

A
B
C
D
E
F
G
H
I
J
K
DEF
M
N
O
P

BCM (BODY CONTROL MODULE)

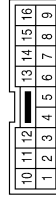
< ECU DIAGNOSIS >

Connector No.	D4
Connector Name	DOOR MIRROR LH (DOOR MIRROR DEFOGGER) (WITHOUT AUTOMATIC DRIVE POSITIONER)
Connector Color	WHITE



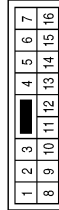
Terminal No.	Color of Wire	Signal Name
4	GRW	-
6	B	-

Connector No.	D4
Connector Name	DOOR MIRROR LH (DOOR MIRROR DEFOGGER) (WITH AUTOMATIC DRIVE POSITIONER)
Connector Color	WHITE



Terminal No.	Color of Wire	Signal Name
10	GRW	-
11	B	-

Connector No.	D2
Connector Name	WIRE TO WIRE
Connector Color	WHITE



Terminal No.	Color of Wire	Signal Name
14	B	-

Connector No.	D107
Connector Name	DOOR MIRROR RH (DOOR MIRROR DEFOGGER) (WITH AUTOMATIC DRIVE POSITIONER)
Connector Color	WHITE



Terminal No.	Color of Wire	Signal Name
10	GRW	-
11	B	-

Connector No.	D102
Connector Name	WIRE TO WIRE
Connector Color	BROWN



Terminal No.	Color of Wire	Signal Name
3	GRW	-

Connector No.	D101
Connector Name	WIRE TO WIRE
Connector Color	WHITE



Terminal No.	Color of Wire	Signal Name
3	B	-

ALLIA0284GB

BCM (BODY CONTROL MODULE)

< ECU DIAGNOSIS >

A
B
C
D
E
F
G
H
I
J
K
DEF
M
N
O
P

Connector No.	D107
Connector Name	DOOR MIRROR RH (DOOR MIRROR DEFOGGER) (WITHOUT AUTOMATIC DRIVE POSITIONER)
Connector Color	WHITE



Terminal No.	Color of Wire	Signal Name
4	GRW	-
6	B	-

ALLIA0285GB

REAR WINDOW DEFOGGER SYSTEM SYMPTOMS

< SYMPTOM DIAGNOSIS >

SYMPTOM DIAGNOSIS

REAR WINDOW DEFOGGER SYSTEM SYMPTOMS

Symptom Table

INFOID:000000001678361

Symptom	Diagnoses / Service procedure	Refer to page
Rear window defogger and door mirror defoggers do not operate. (with heated mirrors)	1. BCM power supply and ground circuit check	BCS-29
	2. IPDM E/R auto active test check	PCS-12
	3. Rear window defogger switch circuit check	DEF-33
	4. Rear window defogger circuit check	DEF-33
	5. Replace IPDM E/R	PCS-30
Rear window defogger does not operate. (without heated mirrors)	1. BCM power supply and ground circuit check	BCS-29
	2. IPDM E/R auto active test check	PCS-12
	3. Rear window defogger switch circuit check	DEF-9
	4. Rear window defogger circuit check	DEF-12
	5. Filament check	DEF-40
	6. Replace IPDM E/R	PCS-30
Rear window defogger does not operate but both of door mirror defoggers operate. (with heated mirrors)	1. Rear window defogger circuit check	DEF-34
	2. Filament check	DEF-40
	3. Replace IPDM E/R	PCS-30
Both door mirror defoggers do not operate but rear window defogger operates. (with heated mirrors)	1. Door mirror defogger power supply circuit check	DEF-35
	2. Replace IPDM E/R	PCS-30
Door mirror LH defogger does not operate. (with heated mirrors)	1. Door mirror LH defogger circuit check	DEF-36
Door mirror RH defogger does not operate. (with heated mirrors)	1. Door mirror RH defogger circuit check	DEF-37
Rear window defogger switch does not light, and rear window defogger is not shown on the display, but rear window defogger operates.	1. Replace front air control	VTL-8

REAR WINDOW DEFOGGER AND DOOR MIRROR DEFOGGER DO NOT OPERATE.

< SYMPTOM DIAGNOSIS >

REAR WINDOW DEFOGGER AND DOOR MIRROR DEFOGGER DO NOT OPERATE.

Diagnosis Procedure

INFOID:000000001677648

1. CHECK REAR WINDOW DEFOGGER SWITCH

Check rear window defogger switch.

Refer to [DEF-12, "Component Function Check"](#).

Is the inspection result normal?

YES >> GO TO 2

NO >> Repair or replace the malfunctioning parts.

2. CHECK REAR WINDOW DEFOGGER RELAY

Check rear window defogger relay.

Refer to [DEF-11, "Component Function Check"](#).

Is the inspection result normal?

YES >> Refer to [GI-41, "Intermittent Incident"](#).

NO >> Repair or replace the malfunctioning parts.

A
B
C
D
E
F
G
H
I
J
K
DEF
M
N
O
P

REAR WINDOW DEFOGGER DOES NOT OPERATE BUT BOTH OF DOOR MIRROR DEFOGGER OPERATE.

< SYMPTOM DIAGNOSIS >

REAR WINDOW DEFOGGER DOES NOT OPERATE BUT BOTH OF DOOR MIRROR DEFOGGER OPERATE.

Diagnosis Procedure

INFOID:000000001677649

1. CHECK REAR WINDOW DEFOGGER POWER SUPPLY AND GROUND CIRCUIT

Check rear window defogger power supply and ground circuit.

Refer to [DEF-12, "Diagnosis Procedure"](#).

Is the inspection result normal?

YES >> Refer to [GI-41, "Intermittent Incident"](#).

NO >> Repair or replace the malfunctioning parts.

BOTH DOORS MIRROR DEFOGGER DON'T OPERATE BUT REAR WINDOW DEFOGGER OPERATES

< SYMPTOM DIAGNOSIS >

BOTH DOORS MIRROR DEFOGGER DON'T OPERATE BUT REAR WINDOW DEFOGGER OPERATES

Diagnosis Procedure

INFOID:000000001677650

1. CHECK INTERMITTENT INCIDENT

Check intermittent incident.

Refer to [GI-41, "Intermittent Incident"](#).

Is the inspection result normal?

- YES >> Check the following.
- Battery power supply circuit.
 - IPDM E/R.
- NO >> Repair or replace the malfunctioning parts.

A
B
C
D
E
F
G
H
I
J
K
DEF
M
N
O
P

DRIVER SIDE DOOR MIRROR DEFOGGER DOES NOT OPERATE.

< SYMPTOM DIAGNOSIS >

DRIVER SIDE DOOR MIRROR DEFOGGER DOES NOT OPERATE.

Diagnosis Procedure

INFOID:000000001677651

1. CHECK DOOR MIRROR DEFOGGER LH

Check door mirror defogger LH.

Refer to [DEF-15, "Diagnosis Procedure"](#) (without automatic drive positioner) or [DEF-17, "Diagnosis Procedure"](#) (with automatic drive positioner).

Is the inspection result normal?

- YES >> Refer to [GI-41, "Intermittent Incident"](#).
- NO >> Repair or replace the malfunctioning parts.

PASSENGER SIDE DOOR MIRROR DEFOGGER DOES NOT OPERATE.

< SYMPTOM DIAGNOSIS >

PASSENGER SIDE DOOR MIRROR DEFOGGER DOES NOT OPERATE.

Diagnosis Procedure

INFOID:000000001677652

1. CHECK DOOR MIRROR DEFOGGER RH

Check door mirror defogger RH.

Refer to [DEF-19, "Diagnosis Procedure"](#) (without automatic drive positioner) or [DEF-21, "Diagnosis Procedure"](#) (with automatic drive positioner).

Is the inspection result normal?

YES >> Refer to [GI-41, "Intermittent Incident"](#).

NO >> Repair or replace the malfunctioning parts.

A
B
C
D
E
F
G
H
I
J
K
DEF
M
N
O
P

REAR WINDOW DEFOGGER SWITCH DOES NOT LIGHT, BUT REAR WINDOW DEFOGGER OPERATES

< SYMPTOM DIAGNOSIS >

REAR WINDOW DEFOGGER SWITCH DOES NOT LIGHT, BUT REAR WINDOW DEFOGGER OPERATES

Diagnosis Procedure

INFOID:000000001677653

1. CHECK FRONT AIR CONTROL (REAR WINDOW DEFOGGER SWITCH)

Check that the front air control (rear window defogger switch) is operating normally.

Is the inspection result normal?

YES >> Refer to [GI-41, "Intermittent Incident"](#).

NO >> Refer to [DEF-9, "Diagnosis Procedure \(With Center Console or Auto A/C\)"](#) or [DEF-9, "Diagnosis Procedure \(Without Center Console or Auto A/C\)"](#).

PRECAUTIONS

< PRECAUTION >

PRECAUTION

PRECAUTIONS

Precaution for Supplemental Restraint System (SRS) "AIR BAG" and "SEAT BELT PRE-TENSIONER"

INFOID:000000001337979

The Supplemental Restraint System such as "AIR BAG" and "SEAT BELT PRE-TENSIONER", used along with a front seat belt, helps to reduce the risk or severity of injury to the driver and front passenger for certain types of collision. This system includes seat belt switch inputs and dual stage front air bag modules. The SRS system uses the seat belt switches to determine the front air bag deployment, and may only deploy one front air bag, depending on the severity of a collision and whether the front occupants are belted or unbelted. Information necessary to service the system safely is included in the SR and SB section of this Service Manual.

WARNING:

- To avoid rendering the SRS inoperative, which could increase the risk of personal injury or death in the event of a collision which would result in air bag inflation, all maintenance must be performed by an authorized NISSAN/INFINITI dealer.
- Improper maintenance, including incorrect removal and installation of the SRS, can lead to personal injury caused by unintentional activation of the system. For removal of Spiral Cable and Air Bag Module, see the SR section.
- Do not use electrical test equipment on any circuit related to the SRS unless instructed to in this Service Manual. SRS wiring harnesses can be identified by yellow and/or orange harnesses or harness connectors.

Handling for Adhesive and Primer

INFOID:000000001337980

- Do not use an adhesive which is past its usable date. Shelf life of this product is limited to six months after the date of manufacture. Carefully adhere to the expiration or manufacture date printed on the box.
- Keep primers and adhesive in a cool, dry place. Ideally, they should be stored in a refrigerator.
- Open the seal of the primer and adhesive just before application. Discard the remainder.
- Before application, be sure to shake the primer container to stir the contents. If any floating material is found, do not use it.
- If any primer or adhesive contacts the skin, wipe it off with gasoline or equivalent and wash the skin with soap.
- When using primer and adhesive, always observe the precautions in the instruction manual.

A
B
C
D
E
F
G
H
I
J
K
M
N
O
P

DEF

REAR WINDOW DEFOGGER

< ON-VEHICLE REPAIR >

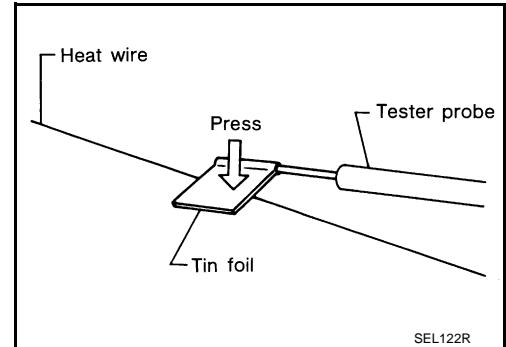
ON-VEHICLE REPAIR

REAR WINDOW DEFOGGER

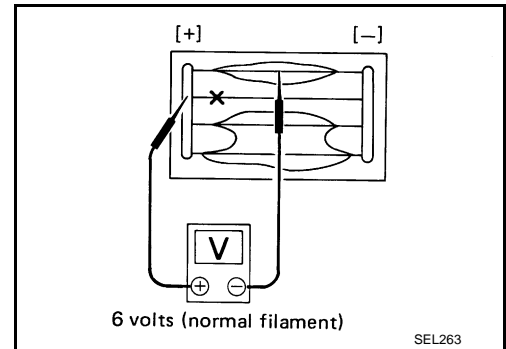
Filament Check

INFOID:000000001337977

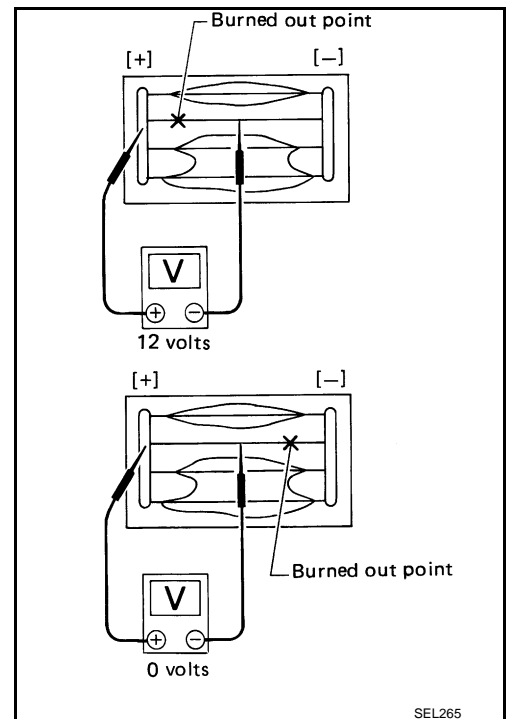
1. When measuring voltage, wrap tin foil around the top of the negative probe. Then press the foil against the wire with your finger.



2. Attach probe circuit tester (in Volt range) to middle portion of each filament.



3. If a filament is burned out, circuit tester registers 0 or battery voltage.
4. To locate burned out point, move probe to left and right along filament. Test needle will swing abruptly when probe passes the point.



Filament Repair

INFOID:000000001337978

REPAIR EQUIPMENT

- Conductive silver composition (DuPont No. 4817 or equivalent)
- Ruler 30 cm (11.8 in) long

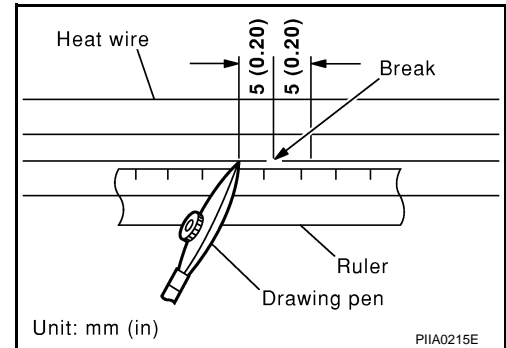
REAR WINDOW DEFOGGER

< ON-VEHICLE REPAIR >

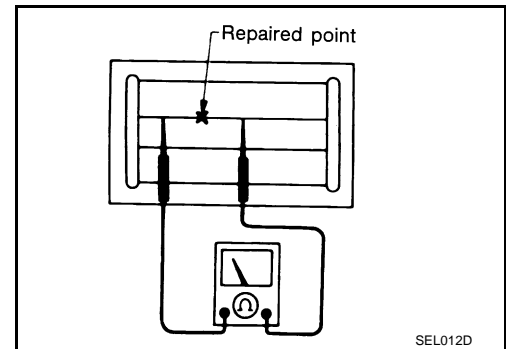
- Drawing pen
- Heat gun
- Alcohol
- Cloth

REPAIRING PROCEDURE

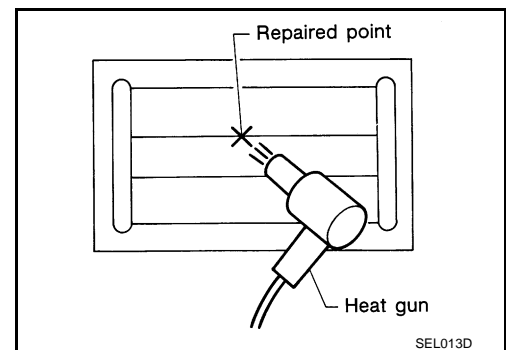
1. Wipe broken heat wire and its surrounding area clean with a cloth dampened in alcohol.
2. Apply a small amount of conductive silver composition to tip of drawing pen. Shake silver composition container before use.
3. Place ruler on glass along broken line. Deposit conductive silver composition on break with drawing pen. Slightly overlap existing heat wire on both sides [preferably 5 mm (0.20 in)] of the break.



4. After repair has been completed, check repaired wire for continuity. This check should be conducted 10 minutes after silver composition is deposited. Do not touch repaired area while test is being conducted.



5. Apply a constant stream of hot air directly to the repaired area for approximately 20 minutes with a heat gun. A minimum distance of 3 cm (1.2 in) should be kept between repaired area and hot air outlet. If a heat gun is not available, let the repaired area dry for 24 hours.



A
B
C
D
E
F
G
H
I
J
K
DEF
M
N
O
P