

SECTION **PWC**

POWER WINDOW CONTROL SYSTEM

A
B
C
D
E
F
G
H
I
J
L
M
N
O
P

CONTENTS

BASIC INSPECTION	4	FRONT POWER WINDOW SWITCH : Diagnosis Procedure	16
DIAGNOSIS AND REPAIR WORKFLOW	4	REAR POWER WINDOW SWITCH	18
Work Flow	4	REAR POWER WINDOW SWITCH : Description	18
FUNCTION DIAGNOSIS	6	REAR POWER WINDOW SWITCH : Component Function Check	18
POWER WINDOW SYSTEM	6	REAR POWER WINDOW SWITCH : Diagnosis Procedure	18
System Diagram	6	REAR POWER WINDOW SWITCH : Component Inspection	20
System Description	6	POWER SUPPLY AND GROUND CIRCUIT CHECK (KING CAB)	21
Component Parts Location	8	POWER WINDOW MAIN SWITCH	21
Component Description	9	POWER WINDOW MAIN SWITCH : Description	21
DIAGNOSIS SYSTEM (BCM)	10	POWER WINDOW MAIN SWITCH : Component Function Check	21
COMMON ITEM	10	POWER WINDOW MAIN SWITCH : Diagnosis Procedure	21
COMMON ITEM : CONSULT-III Function (BCM - COMMON ITEM)	10	FRONT POWER WINDOW SWITCH	22
RETAINED PWR	10	FRONT POWER WINDOW SWITCH : Description	22
RETAINED PWR : CONSULT-III Function (BCM - RETAINED PWR)	10	FRONT POWER WINDOW SWITCH : Component Function Check	22
COMPONENT DIAGNOSIS	12	FRONT POWER WINDOW SWITCH : Diagnosis Procedure	23
POWER SUPPLY AND GROUND CIRCUIT CHECK (CREW CAB)	12	POWER WINDOW MOTOR	25
POWER WINDOW MAIN SWITCH	12	DRIVER SIDE	25
POWER WINDOW MAIN SWITCH : Description	12	DRIVER SIDE : Description	25
POWER WINDOW MAIN SWITCH : Component Function Check	12	DRIVER SIDE : Component Function Check	25
POWER WINDOW MAIN SWITCH : Diagnosis Procedure	12	DRIVER SIDE : Diagnosis Procedure	25
POWER WINDOW MAIN SWITCH : Component Inspection	15	DRIVER SIDE : Component Inspection	26
FRONT POWER WINDOW SWITCH	16	PASSENGER SIDE	26
FRONT POWER WINDOW SWITCH : Description	16	PASSENGER SIDE : Description	26
FRONT POWER WINDOW SWITCH : Component Function Check	16	PASSENGER SIDE : Component Function Check	26

PWC

PASSENGER SIDE : Diagnosis Procedure	26	Diagnosis Procedure	51
PASSENGER SIDE : Component Inspection	27	Component Inspection	52
REAR LH	28	POWER WINDOW SERIAL LINK	54
REAR LH : Description	28	POWER WINDOW MAIN SWITCH	54
REAR LH : Component Function Check	28	POWER WINDOW MAIN SWITCH : Description ...	54
REAR LH : Diagnosis Procedure	28	POWER WINDOW MAIN SWITCH : Component	
REAR LH : Component Inspection	29	Function Check	54
REAR RH	29	POWER WINDOW MAIN SWITCH : Diagnosis	
REAR RH : Description	29	Procedure	54
REAR RH : Component Function Check	29	FRONT POWER WINDOW SWITCH	55
REAR RH : Diagnosis Procedure	30	FRONT POWER WINDOW SWITCH : Descrip-	
REAR RH : Component Inspection	31	tion	55
ENCODER CIRCUIT CHECK FRONT (CREW		FRONT POWER WINDOW SWITCH : Compo-	
CAB)	32	nent Function Check	56
DRIVER SIDE	32	FRONT POWER WINDOW SWITCH : Diagnosis	
DRIVER SIDE : Description	32	Procedure	56
DRIVER SIDE : Component Function Check	32	POWER WINDOW LOCK SWITCH	58
DRIVER SIDE : Diagnosis Procedure	32	Description	58
PASSENGER SIDE	34	Component Function Check	58
PASSENGER SIDE : Description	34	REAR POWER DROP GLASS CIRCUIT	
PASSENGER SIDE : Component Function Check		CHECK	59
... 34	34	Rear Power Drop Glass Circuit Inspection	59
PASSENGER SIDE : Diagnosis Procedure	34	REAR POWER DROP GLASS DOWN RELAY	
ENCODER CIRCUIT CHECK FRONT (KING		CHECK	60
CAB)	38	Rear Power Drop Glass Down Relay Check	60
DRIVER SIDE	38	REAR POWER DROP GLASS UP RELAY	
DRIVER SIDE : Description	38	CHECK	62
DRIVER SIDE : Component Function Check	38	Rear Power Drop Glass Up Relay Check	62
DRIVER SIDE : Diagnosis Procedure	38	ECU DIAGNOSIS	64
PASSENGER SIDE	40	BCM (BODY CONTROL MODULE)	64
PASSENGER SIDE : Description	40	Reference Value	64
PASSENGER SIDE : Component Function Check		Terminal Layout	66
... 40	40	Physical Values	66
PASSENGER SIDE : Diagnosis Procedure	40	Wiring Diagram	72
DOOR SWITCH	44	POWER WINDOW MAIN SWITCH	77
Description	44	Reference Value (Crew Cab)	77
Component Function Check	44	Reference Value (King Cab)	78
Diagnosis Procedure (Crew Cab)	44	Wiring Diagram (Crew Cab)	80
Diagnosis Procedure (King Cab)	45	Wiring Diagram (King Cab)	91
Component Inspection (Crew Cab)	46	Fail Safe	96
Component Inspection (King Cab)	46	FRONT POWER WINDOW SWITCH	98
FRONT DOOR LOCK ASSEMBLY LH (KEY		Reference Value	98
CYLINDER SWITCH) CHECK (CREW CAB) ...	48	Wiring Diagram (Crew Cab)	100
Description	48	Wiring Diagram (King Cab)	111
Component Function Check	48	Fail Safe	116
Diagnosis Procedure	48	SYMPTOM DIAGNOSIS	118
Component Inspection	49	NONE OF THE POWER WINDOWS CAN BE	
FRONT DOOR LOCK ASSEMBLY LH (KEY		OPERATED USING ANY SWITCH	118
CYLINDER SWITCH) CHECK (KING CAB)	51	Diagnosis Procedure	118
Description	51		
Component Function Check	51		

DRIVER SIDE POWER WINDOW ALONE DOES NOT OPERATE	119	Diagnosis Procedure	119	
FRONT PASSENGER SIDE POWER WINDOW ALONE DOES NOT OPERATE	120	Diagnosis Procedure	120	
REAR LH SIDE POWER WINDOW ALONE DOES NOT OPERATE	121	Diagnosis Procedure	121	
REAR RH SIDE POWER WINDOW ALONE DOES NOT OPERATE	122	Diagnosis Procedure	122	
ANTI-PINCH SYSTEM DOES NOT OPERATE NORMALLY (DRIVER SIDE)	123	Diagnosis Procedure	123	
ANTI-PINCH SYSTEM DOES NOT OPERATE NORMALLY (PASSENGER SIDE)	124	Diagnosis Procedure	124	
AUTO OPERATION DOES NOT OPERATE BUT MANUAL OPERATES NORMALLY (DRIVER SIDE)	125	Diagnosis Procedure	125	
AUTO OPERATION DOES NOT OPERATE BUT MANUAL OPERATES NORMALLY (PASSENGER SIDE)	126	Diagnosis Procedure	126	
POWER WINDOW RETAINED POWER OPERATION DOES NOT OPERATE PROPERLY ..	127	Diagnosis Procedure	127	
		DOES NOT OPERATE BY KEY CYLINDER SWITCH	128	
		Diagnosis Procedure	128	
		KEYLESS POWER WINDOW DOWN DOES NOT OPERATE	129	
		Diagnosis Procedure	129	
		POWER WINDOW LOCK SWITCH DOES NOT FUNCTION	130	
		Diagnosis Procedure	130	
		REAR POWER DROP GLASS DOES NOT OPERATE	131	
		Diagnosis Procedure	131	
		PRECAUTION	132	
		PRECAUTIONS	132	
		Precaution for Supplemental Restraint System (SRS) "AIR BAG" and "SEAT BELT PRE-TENSIONER"	132	
		ON-VEHICLE REPAIR	133	
		POWER WINDOW MAIN SWITCH	133	
		Removal and Installation	133	
		FRONT POWER WINDOW SWITCH	134	
		Removal and Installation	134	
		REAR POWER WINDOW SWITCH	135	
		Removal and Installation - Rear Door Switch	135	
		Removal and Installation - Power Drop Glass Switch	135	

A
B
C
D
E
F
G
H
I
J
L
M
N
O
P

PWC

DIAGNOSIS AND REPAIR WORKFLOW

< BASIC INSPECTION >

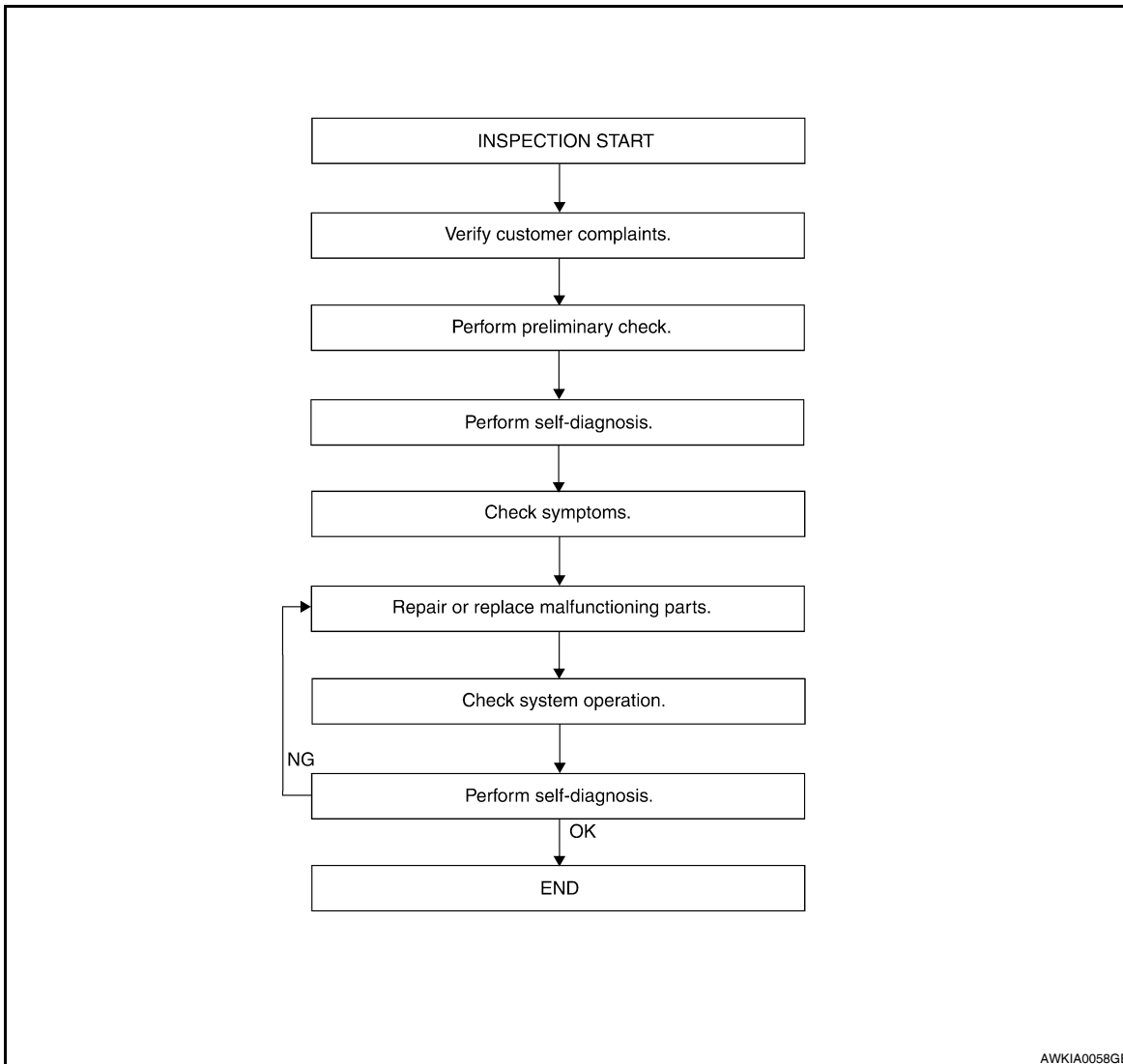
BASIC INSPECTION

DIAGNOSIS AND REPAIR WORKFLOW

Work Flow

INFOID:000000003788210

WORK FLOW



DETAILED FLOW

1. CUSTOMER INFORMATION

Interview the customer to obtain detailed information about the symptom.

>> GO TO 2

2. PRELIMINARY CHECK

Perform preliminary check. Refer to [PWC-6, "System Diagram"](#).

>> GO TO 3

3. SELF-DIAGNOSIS

Perform self-diagnosis. Refer to [BCS-49, "DTC Index"](#).

DIAGNOSIS AND REPAIR WORKFLOW

< BASIC INSPECTION >

>> GO TO 4

4. SYMPTOM

Check for symptoms. Refer to [PWC-118. "Diagnosis Procedure"](#).

>> GO TO 5

5. MALFUNCTIONING PARTS

Repair or replace the applicable parts.

>> GO TO 6

6. SYSTEM OPERATION

Check system operation.

>> GO TO 7

7. SELF-DIAGNOSIS

Perform self-diagnosis. Refer to [BCS-49. "DTC Index"](#).

Are any DTCs indicated?

YES >> GO TO 5

NO >> Inspection End.

A

B

C

D

E

F

G

H

I

J

PWC

L

M

N

O

P

POWER WINDOW SYSTEM

< FUNCTION DIAGNOSIS >

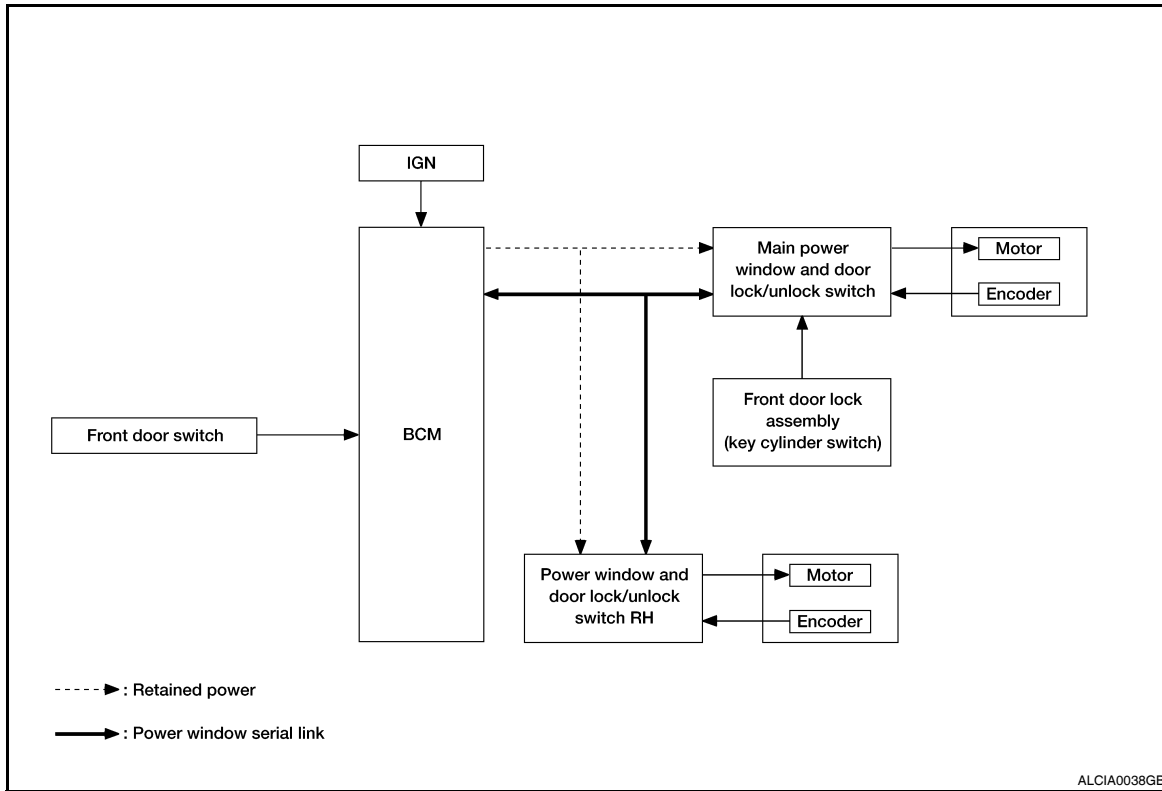
FUNCTION DIAGNOSIS

POWER WINDOW SYSTEM

System Diagram

INFOID:000000003788211

FRONT WINDOW ANTI-PINCH SYSTEM



System Description

INFOID:000000003788212

POWER WINDOW MAIN SWITCH INPUT/OUTPUT SIGNAL CHART

Item	Input signal to main power window and door lock/unlock switch	Main power window and door lock/unlock switch function	Actuator
Key cylinder switch	LOCK/UNLOCK signal (more than 1.5 seconds over)	Power window control	Front power window motor
Encoder	Encoder pulse signal		
Main power window and door lock/unlock switch	Front power window motor LH UP/DOWN signal		
Power window and door lock/unlock switch RH	Front power window motor RH UP/DOWN signal		
BCM	RAP signal		
Rear power window switch (Crew Cab)	Rear power window motor UP/DOWN signal		Rear power window motor

POWER WINDOW AND DOOR LOCK/UNLOCK SWITCH INPUT/OUTPUT SIGNAL CHART

POWER WINDOW SYSTEM

< FUNCTION DIAGNOSIS >

Item	Input signal to front power window switch	Front power window switch function	Actuator
Power window and door lock/unlock switch RH	Front power window motor RH UP/DOWN signal	Power window control	Front power window motor RH
Encoder	Encoder pulse signal		
BCM	RAP signal		

POWER WINDOW OPERATION

- Power window system is operable during the retained power operation timer after turning ignition switch ON and OFF.
- Main power window and door lock/unlock switch can open/close all windows.
- Power window and door lock unlock switch RH & rear power window switches LH and RH can open/close the corresponding windows.

REAR POWER DROP GLASS OPERATION (IF EQUIPPED)

- Rear power drop glass system is operable during the retained power operation timer after turning ignition switch ON and OFF.
- Rear power drop glass switch can open/close the rear power drop glass.

POWER WINDOW AUTO-OPERATION (FRONT LH & RH)

- AUTO UP/DOWN operation can be performed when main power window and door lock/unlock switch & power window and door lock/unlock switch RH turns to AUTO.
- Encoder continues detecting the movement of power window motor and transmits to power window switch as the encoder pulse signal while power window motor is operating.
- Power window switch reads the changes of encoder signal and stops AUTO operation when door glass is at fully opened/closed position.
- Power window motor is operable in case encoder is malfunctioning.

RETAINED POWER OPERATION

- Retained power operation is an additional power supply function that enables power window system to operate during the 45 seconds even when ignition switch is turned OFF.

Retained power function cancel conditions

- Front door CLOSE (door switch OFF)→OPEN (door switch ON).
- When ignition switch is ON.
- When timer time passes. (45 seconds)

POWER WINDOW LOCK

Ground circuit inside main power window and door lock/unlock switch shuts off when power window lock switch is ON. This inhibits power window switch operation except with the main power window and door lock/unlock switch.

ANTI-PINCH OPERATION (FRONT LH & RH)

- Pinch foreign material in the door glass during AUTO-UP operation, and it is the anti-pinch function that lowers the door glass 150 mm (5.91 in) or 2 seconds when detected.
- Encoder continues detecting the movement of power window motor and transmits to power window switch as the encoder pulse signal while power window motor is operating.
- Resistance is applied to the power window motor rotation that changes the frequency of encoder pulse signal if foreign material is trapped in the door glass.
- Power window switch controls to lower the window glass for 150 mm (5.91 in) or 2 seconds after it detects encoder pulse signal frequency change.

OPERATION CONDITION

- When all door glass AUTO-UP operation is performed (anti-pinch function does not operate just before the door glass closes and is fully closed).

NOTE:

Depending on environment and driving conditions, if a similar impact or load is applied to the door glass, it may lower.

KEY CYLINDER SWITCH OPERATION

A
B
C
D
E
F
G
H
I
J

PWC

L
M
N
O
P

POWER WINDOW SYSTEM

< FUNCTION DIAGNOSIS >

Hold the door key cylinder to the LOCK or UNLOCK direction for more than 1 second to OPEN or CLOSE front power windows when ignition switch is OFF. In addition, it stops when key position is moved to NEUTRAL when operating.

OPERATION CONDITION

- Ignition switch OFF.
- Hold door key cylinder to LOCK position for more than 1 second to perform CLOSE operation of the door glass.
- Hold door key cylinder to UNLOCK position for more than 1 second to perform OPEN operation of the door glass.

KEYLESS POWER WINDOW DOWN OPERATION (FRONT LH & RH)

Front power windows open when the unlock button on keyfob is activated and kept pressed for more than 3^(NOTE) seconds with the ignition switch OFF. The windows keep opening if the unlock button is continuously pressed.

The power window opening stops when the following operations are performed:

- When the unlock button is kept pressed more than 15 seconds.
- When the ignition switch is turned ON while the power window opening is operated.
- When the unlock button is released.

While retained power operation activate, keyless power window down function cannot be operated.

NOTE:

Keyless power window down operation mode can be changed by "PW DOWN SET" mode in "WORK SUPPORT". Refer to [DLK-20. "MULTIREMOTE ENT : CONSULT-III Function \(BCM - MULTIREMOTE ENT\)"](#).

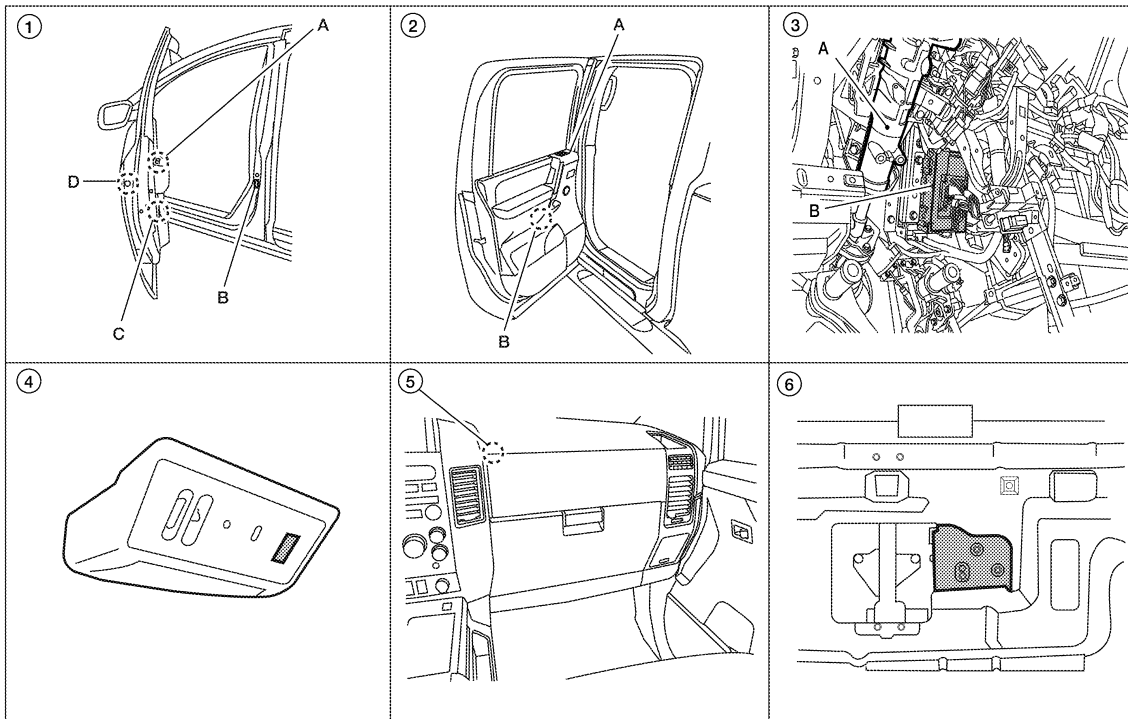
NOTE:

Use CONSULT-III to change settings.

MODE1 (3sec)/MODE2 (OFF)/MODE3 (5sec)

Component Parts Location

INFOID:000000003788213



AWKIA1326ZZ

POWER WINDOW SYSTEM

< FUNCTION DIAGNOSIS >

- | | | | |
|---|--|--|----------------------------|
| <p>1. A. Main power window and door lock/unlock switch D7, D8 (Crew Cab), D15 (King Cab)
Power window and door lock/unlock switch RH D105
B. Front door switch LH B8, RH B108
C. Front power window motor LH D9, RH D104
D. Front door lock assembly LH (key cylinder switch) D14</p> | <p>2. A. Rear power window switch LH D203, RH D303 (Crew Cab)
B. Rear power window motor LH D204, RH D304 (Crew Cab)</p> | <p>3. A. Steering column (view with instrument panel removed)
B. BCM M18, M19, M20</p> | <p>A</p> <p>B</p> <p>C</p> |
| <p>4. Rear power drop glass switch R103 (Crew Cab)</p> | <p>5. Rear power drop glass up relay M154 (Crew Cab)
Rear power drop glass down relay M155 (Crew Cab)</p> | <p>6. Rear power drop glass motor B80 (view with rear finisher removed) (Crew Cab)</p> | <p>D</p> <p>E</p> |

Component Description

INFOID:000000003788214

POWER WINDOW SYSTEM

Component	Function
BCM	<ul style="list-style-type: none"> Supplies power supply to power window switch. Controls retained power.
Main power window and door lock/unlock switch	<ul style="list-style-type: none"> Directly controls all power window motor of all doors. Controls anti-pinch operation of front power window LH.
Power window and door lock/unlock switch RH	<ul style="list-style-type: none"> Controls front power window motor RH. Controls anti-pinch operation of front power window RH.
Rear power window switch (Crew Cab)	<ul style="list-style-type: none"> Controls rear power window motors LH and RH.
Rear power drop glass switch (Crew Cab)	<ul style="list-style-type: none"> Controls rear power drop glass motor.
Front power window motor LH	<ul style="list-style-type: none"> Integrates the ENCODER POWER and WINDOW MOTOR. Starts operating with signals from main power window and door lock/unlock switch. Transmits power window motor rotation as a pulse signal to main power window and door lock/unlock switch.
Front power window motor RH	Starts operating with signals from main power window and door lock/unlock switch & power window and door lock/unlock switch RH.
Rear power window motor (Crew Cab)	Starts operating with signals from main power window and door lock/unlock switch & rear power window switch.
Rear power drop glass motor (Crew Cab)	Starts operating with signal from rear power drop glass switch.
Front door lock assembly LH (key cylinder switch)	Transmits operation condition of key cylinder switch to power window main switch.
Front door switch LH or RH	Detects door open/close condition and transmits to BCM.

PWC

DIAGNOSIS SYSTEM (BCM)

< FUNCTION DIAGNOSIS >

DIAGNOSIS SYSTEM (BCM)

COMMON ITEM

COMMON ITEM : CONSULT-III Function (BCM - COMMON ITEM)

INFOID:000000004137755

APPLICATION ITEM

CONSULT-III performs the following functions via CAN communication with BCM.

Diagnosis mode	Function Description
WORK SUPPORT	Changes the setting for each system function.
SELF-DIAG RESULTS	Displays the diagnosis results judged by BCM. Refer to BCS-49. "DTC Index" .
CAN DIAG SUPPORT MNTR	Monitors the reception status of CAN communication viewed from BCM.
DATA MONITOR	The BCM input/output signals are displayed.
ACTIVE TEST	The signals used to activate each device are forcibly supplied from BCM.
ECU IDENTIFICATION	The BCM part number is displayed.
CONFIGURATION	<ul style="list-style-type: none"> • Enables to read and save the vehicle specification. • Enables to write the vehicle specification when replacing BCM.

SYSTEM APPLICATION

BCM can perform the following functions for each system.

NOTE:

It can perform the diagnosis modes except the following for all sub system selection items.

System	Sub system selection item	Diagnosis mode		
		WORK SUPPORT	DATA MONITOR	ACTIVE TEST
BCM	BCM	×		
Door lock	DOOR LOCK	×	×	×
Rear window defogger	REAR DEFOGGER		×	
Warning chime	BUZZER		×	×
Interior room lamp timer	INT LAMP	×	×	×
Remote keyless entry system	MULTI REMOTE ENT	×	×	
Exterior lamp	HEAD LAMP	×	×	×
Wiper and washer	WIPER	×	×	×
Turn signal and hazard warning lamps	FLASHER		×	×
Air conditioner	AIR CONDITONER		×	
Combination switch	COMB SW		×	
Immobilizer	IMMU		×	×
Interior room lamp battery saver	BATTERY SAVER	×	×	×
RAP (retained accessory power)	RETAINED PWR	×	×	×
Signal buffer system	SIGNAL BUFFER		×	×
TPMS (tire pressure monitoring system)	AIR PRESSURE MONITOR	×	×	×
Vehicle security system	PANIC ALARM			×

RETAINED PWR

RETAINED PWR : CONSULT-III Function (BCM - RETAINED PWR)

INFOID:000000004137756

Data monitor

DIAGNOSIS SYSTEM (BCM)

< FUNCTION DIAGNOSIS >

Monitor Item [Unit]	Description
DOOR SW-DR [ON/OFF]	Indicates condition of front door switch LH.
DOOR SW-AS [ON/OFF]	Indicates condition of front door switch RH.

A

B

C

D

E

F

G

H

I

J

PWC

L

M

N

O

P

POWER SUPPLY AND GROUND CIRCUIT CHECK (CREW CAB)

< COMPONENT DIAGNOSIS >

COMPONENT DIAGNOSIS

POWER SUPPLY AND GROUND CIRCUIT CHECK (CREW CAB)

POWER WINDOW MAIN SWITCH

POWER WINDOW MAIN SWITCH : Description

INFOID:000000003788217

- BCM supplies power.
- It operates each power window motor via corresponding power window switch and makes window move up/down when main power window and door lock/unlock switch is operated.

POWER WINDOW MAIN SWITCH : Component Function Check

INFOID:000000003788218

Main Power Window And Door Lock/Unlock Switch

1. CHECK MAIN POWER WINDOW AND DOOR LOCK/UNLOCK SWITCH FUNCTION

Does power window motor operate with main power window and door lock/unlock switch operation?

Is the inspection result normal?

- YES >> Main power window and door lock/unlock switch power supply and ground circuit are OK.
 NO >> Refer to [PWC-12, "POWER WINDOW MAIN SWITCH : Diagnosis Procedure"](#).

POWER WINDOW MAIN SWITCH : Diagnosis Procedure

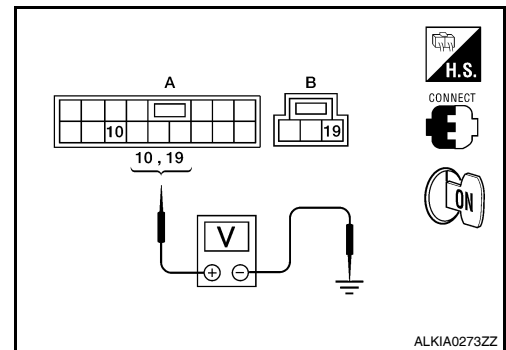
INFOID:000000003788219

Main Power Window And Door Lock/Unlock Switch Power Supply Circuit Check

1. CHECK POWER SUPPLY CIRCUIT

1. Turn ignition switch ON.
2. Check voltage between main power window and door lock/unlock switch connectors (A and B) and ground.

Terminal (+)		Terminal (-)	Voltage (V) (Approx.)
Main power window and door lock/unlock switch connector	Terminal		
D7 (A)	10	Ground	Battery voltage
D8 (B)	19		



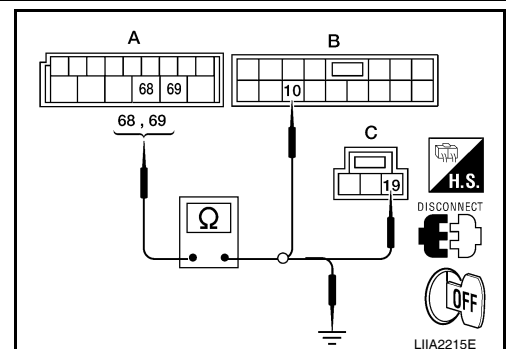
Is the measurement value within the specification?

- YES >> GO TO 3
 NO >> GO TO 2

2. CHECK HARNESS CONTINUITY

1. Turn ignition switch OFF.
2. Disconnect BCM and main power window and door lock/unlock switch.
3. Check continuity between BCM connector (A) and main power window and door lock/unlock switch connectors (B and C).

BCM connector	Terminal	Main power window and door lock/unlock switch connector	Terminal	Continuity
M20 (A)	68	D7 (B)	10	Yes
	69	D8 (C)	19	



4. Check continuity between BCM connector (A) and ground.

POWER SUPPLY AND GROUND CIRCUIT CHECK (CREW CAB)

< COMPONENT DIAGNOSIS >

BCM connector	Terminal	Ground	Continuity
M20 (A)	68		Ground
	69		

Is the inspection result normal?

YES >> GO TO 4

NO >> Repair or replace harness.

3. CHECK GROUND CIRCUIT

1. Turn ignition switch OFF.
2. Disconnect main power window and door lock/unlock switch.
3. Check continuity between main power window and door lock/unlock switch connector and ground.

Main power window and door lock/unlock switch connector	Terminal	Ground	Continuity
D8	17		Ground

Is the inspection result normal?

YES >> Replace main power window and door lock/unlock switch. Refer to [PWC-133. "Removal and Installation"](#).

NO >> Repair or replace harness.

4. CHECK BCM OUTPUT SIGNAL

1. Connect BCM.
2. Turn ignition switch ON.
3. Check voltage between BCM connector and ground.

Terminals		(-)	Voltage (V) (Approx.)
(+)			
BCM connector	Terminal	Ground	Battery voltage
M20	68		
	69		

Is the measurement value within the specification?

YES >> Check main power window and door lock/unlock switch output signal (rear power window switch LH) GO TO 5

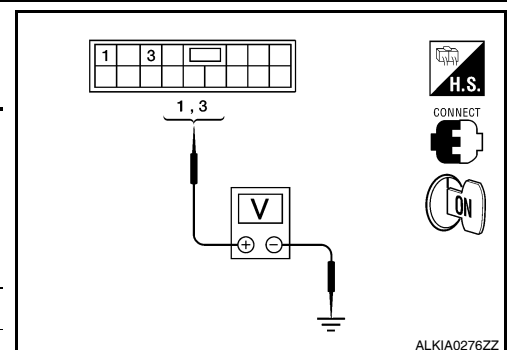
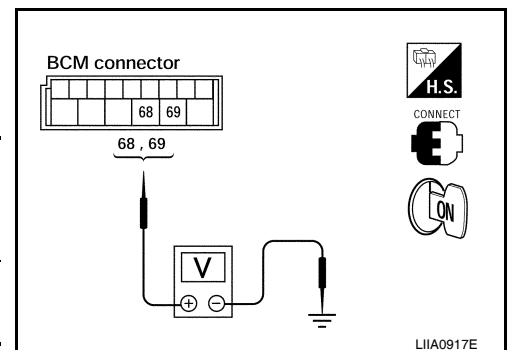
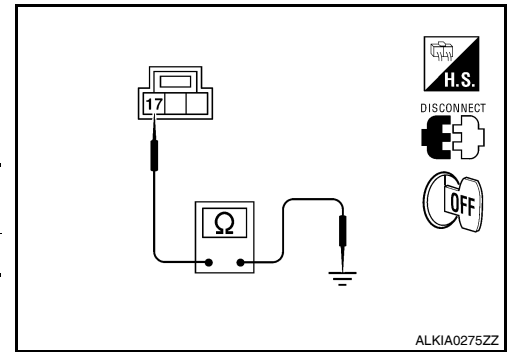
YES >> Check main power window and door lock/unlock switch output signal (rear power window switch RH) GO TO 6

NO >> Replace BCM. Refer to [BCS-53. "Removal and Installation"](#).

5. CHECK MAIN POWER WINDOW AND DOOR LOCK/UNLOCK SWITCH OUTPUT SIGNAL (REAR POWER WINDOW SWITCH LH)

Check voltage between main power window and door lock/unlock switch connector and ground.

Terminal		(-)	Window condition	Voltage (V) (Approx.)			
(+)							
Main power window and door lock/unlock switch connector	Terminal	Ground	UP	Battery voltage			
D7	1				Ground	DOWN	0
						3	UP
	3						Ground
		1	UP	Battery voltage			



POWER SUPPLY AND GROUND CIRCUIT CHECK (CREW CAB)

< COMPONENT DIAGNOSIS >

Is the measurement value within the specification?

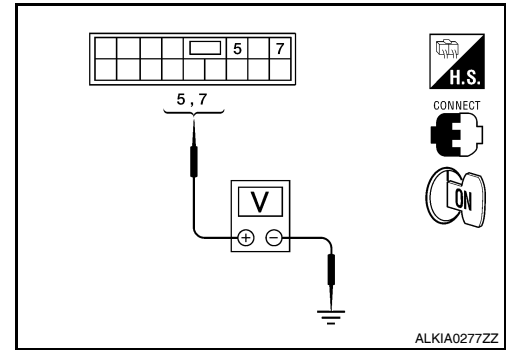
YES >> GO TO 7

NO >> Replace main power window and door lock/unlock switch. Refer to [PWC-133. "Removal and Installation"](#).

6. CHECK MAIN POWER WINDOW AND DOOR LOCK/UNLOCK SWITCH OUTPUT SIGNAL (REAR POWER WINDOW SWITCH RH)

Check voltage between main power window and door lock/unlock switch connector and ground.

Terminal (+)		Terminal (-)	Window condition	Voltage (V) (Approx.)
Main power window and door lock/unlock switch connector	Terminal			
D7	7	Ground	UP	Battery voltage
			DOWN	0
	5		UP	0
			DOWN	Battery voltage



Is the measurement value within the specification?

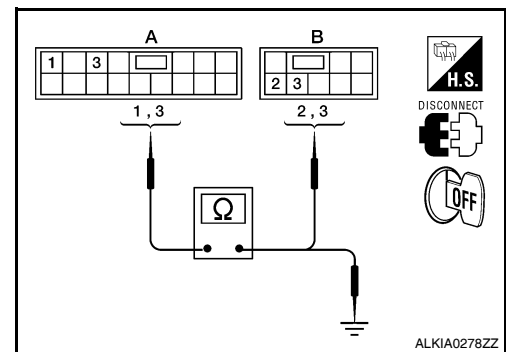
YES >> GO TO 8

NO >> Replace main power window and door lock/unlock switch. Refer to [PWC-133. "Removal and Installation"](#).

7. CHECK HARNESS CONTINUITY (REAR POWER WINDOW SWITCH LH)

1. Turn ignition switch OFF.
2. Disconnect rear power window switch LH.
3. Check continuity between main power window and door lock/unlock switch connector and rear power window switch LH connector.

Main power window and door lock/unlock switch connector	Terminal	Rear power window switch LH connector	Terminal	Continuity
D7	1	D203	2	Yes
	3		3	



4. Check continuity between main power window and door lock/unlock switch connector and ground.

Main power window and door lock/unlock switch connector	Terminal	Ground	Continuity
D7	1		
	3		

Is the inspection result normal?

YES >> GO TO 9

NO >> Repair or replace harness.

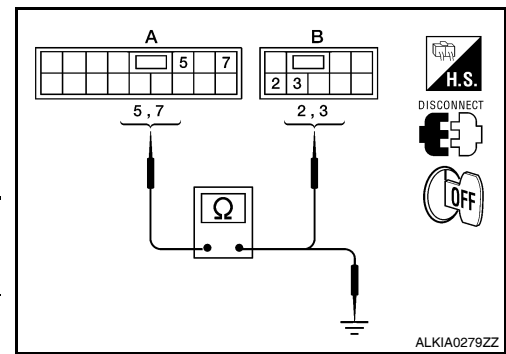
8. CHECK HARNESS CONTINUITY (REAR POWER WINDOW SWITCH RH)

POWER SUPPLY AND GROUND CIRCUIT CHECK (CREW CAB)

< COMPONENT DIAGNOSIS >

1. Turn ignition switch OFF.
2. Disconnect rear power window switch RH.
3. Check continuity between main power window and door lock/unlock switch connector and rear power window switch RH connector.

Main power window and door lock/unlock switch connector	Terminal	Rear power window switch RH connector	Terminal	Continuity
D7	5	D303	3	Yes
	7		2	



4. Check continuity between main power window and door lock/unlock switch connector and ground.

Main power window and door lock/unlock switch connector	Terminal	Ground	Continuity
D7	5	Ground	No
	7		

Is the inspection result normal?

YES >> GO TO 9

NO >> Repair or replace harness.

9. CHECK MAIN POWER WINDOW AND DOOR LOCK/UNLOCK SWITCH

Check main power window and door lock/unlock switch.

Refer to [PWC-15. "POWER WINDOW MAIN SWITCH : Component Inspection"](#).

Is the inspection result normal?

YES >> Check intermittent incident. Refer to [GI-38. "Intermittent Incident"](#).

NO >> Replace main power window and door lock/unlock switch. Refer to [PWC-133. "Removal and Installation"](#).

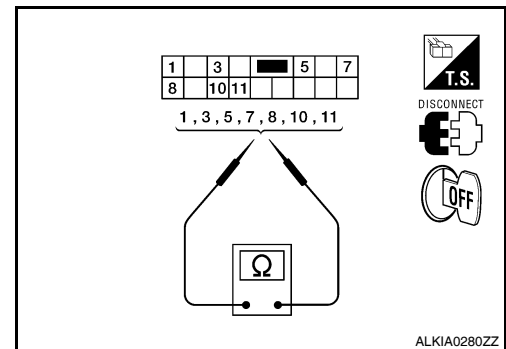
POWER WINDOW MAIN SWITCH : Component Inspection

INFOID:000000003788220

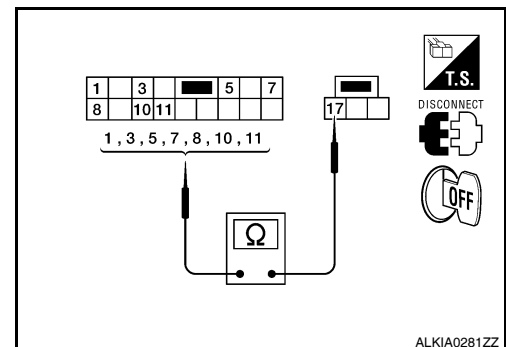
1. CHECK MAIN POWER WINDOW AND DOOR LOCK/UNLOCK SWITCH

1. Check main power window and door lock/unlock switch.

Terminal	Main power window and door lock/unlock switch condition	Continuity
10	1 Rear LH	Yes
10	7 Rear RH	
1	3 Rear LH	
5	7 Rear RH	
10	3 Rear LH	
10	5 Rear RH	



2. Check continuity between main power window and door lock/unlock switch (power window lock switch). (Lock operation).



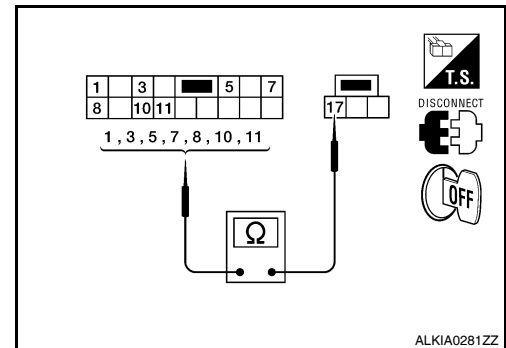
POWER SUPPLY AND GROUND CIRCUIT CHECK (CREW CAB)

< COMPONENT DIAGNOSIS >

Terminal	Main power window and door lock/unlock switch condition	Continuity
3	Rear LH	UP
5	Rear RH	
1	Rear LH	NEUTRAL
3	Rear RH	
5	Rear LH	DOWN
7	Rear RH	

3. Check continuity between main power window and door lock/unlock switch (power window lock switch). (Unlock operation).

Terminal	Main power window and door lock/unlock switch condition	Continuity
3	Rear LH	UP
5	Rear RH	
1	Rear LH	NEUTRAL
3	Rear RH	
5	Rear LH	DOWN
7	Rear RH	



Is the inspection result normal?

YES >> Main power window and door lock/unlock switch is OK.

NO >> Replace main power window and door lock/unlock switch. Refer to [PWC-133, "Removal and Installation"](#).

FRONT POWER WINDOW SWITCH

FRONT POWER WINDOW SWITCH : Description

INFOID:000000003788221

- BCM supplies power.
- Front power window motor RH will be operated if power window and door lock/unlock switch RH is operated.

FRONT POWER WINDOW SWITCH : Component Function Check

INFOID:000000003788222

Power Window And Door Lock/Unlock Switch RH

1. CHECK FRONT POWER WINDOW MOTOR RH FUNCTION

Does front power window motor RH operate with power window and door lock/unlock switch RH operation?

Is the inspection result normal?

YES >> Power window and door lock/unlock switch RH power supply and ground circuit are OK.

NO >> Refer to [PWC-16, "FRONT POWER WINDOW SWITCH : Diagnosis Procedure"](#).

FRONT POWER WINDOW SWITCH : Diagnosis Procedure

INFOID:000000003788223

Power Window And Door Lock/Unlock Switch RH Power Supply Circuit Check

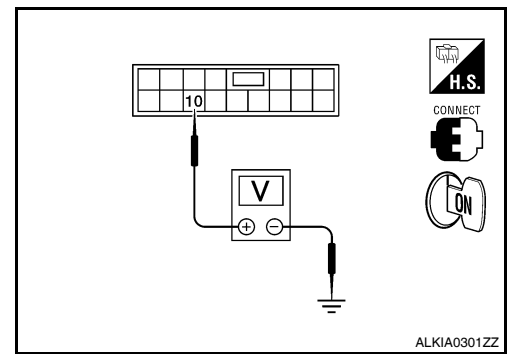
1. CHECK POWER SUPPLY CIRCUIT

POWER SUPPLY AND GROUND CIRCUIT CHECK (CREW CAB)

< COMPONENT DIAGNOSIS >

1. Turn ignition switch ON.
2. Check voltage between power window and door lock/unlock switch RH connector and ground.

Terminal			Voltage (V) (Approx.)
(+)		(-)	
Power window and door lock/unlock switch RH connector	Terminal		
D105	10	Ground	Battery voltage



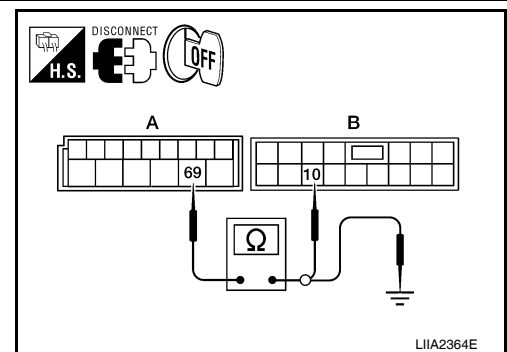
Is the measurement value within the specification?

- YES >> GO TO 3
NO >> GO TO 2

2. CHECK HARNESS CONTINUITY

1. Turn ignition switch OFF.
2. Disconnect BCM and power window and door lock/unlock switch RH.
3. Check continuity between BCM connector (A) and power window and door lock/unlock switch RH connector (B).

BCM connector	Terminal	Power window and door lock/unlock switch RH connector	Terminal	Continuity
M20 (A)	69	D105 (B)	10	Yes



4. Check continuity between BCM connector (A) and ground.

BCM connector	Terminal	Ground	Continuity
M20 (A)	69		No

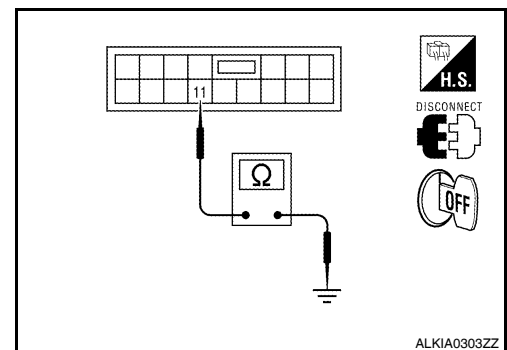
Is the inspection result normal?

- YES >> GO TO 4
NO >> Repair or replace harness.

3. CHECK GROUND CIRCUIT

1. Turn ignition switch OFF.
2. Disconnect power window and door lock/unlock switch RH.
3. Check continuity between power window and door lock/unlock switch RH connector and ground.

Power window and door lock/unlock switch RH	Terminal	Ground	Continuity
D105	11		Yes



Is the inspection result normal?

- YES >> Replace power window and door lock/unlock switch RH.
Refer to [PWC-134, "Removal and Installation"](#).
NO >> Repair or replace harness.

4. CHECK BCM OUTPUT SIGNAL

A
B
C
D
E
F
G
H
I
J
L
M
N
O
P

PWC

POWER SUPPLY AND GROUND CIRCUIT CHECK (CREW CAB)

< COMPONENT DIAGNOSIS >

1. Connect BCM.
2. Turn ignition switch ON.
3. Check voltage between BCM connector and ground.

Terminals			Voltage (V) (Approx.)
(+)		(-)	
BCM connector	Terminal		
M20	69	Ground	Battery voltage

Is the measurement value within the specification?

- YES >> Replace power window and door lock/unlock switch RH.
Refer to [PWC-134, "Removal and Installation"](#).
- NO >> Replace BCM. Refer to [BCS-53, "Removal and Installation"](#).

REAR POWER WINDOW SWITCH

REAR POWER WINDOW SWITCH : Description

INFOID:000000003788224

- BCM supplies power.
- Rear power window motor will be operated if rear power window switch is operated. Rear power window switch.

REAR POWER WINDOW SWITCH : Component Function Check

INFOID:000000003788225

Rear Power Window Switch

1. CHECK REAR POWER WINDOW MOTOR FUNCTION

Does rear power window motor operate with rear power window switch operation?

Is the inspection result normal?

- YES >> Rear power window switch power supply and ground circuit are OK.
- NO >> Refer to [PWC-18, "REAR POWER WINDOW SWITCH : Diagnosis Procedure"](#).

REAR POWER WINDOW SWITCH : Diagnosis Procedure

INFOID:000000003788226

Rear Power Window Switch Power Supply Circuit Check

1. CHECK POWER SUPPLY CIRCUIT

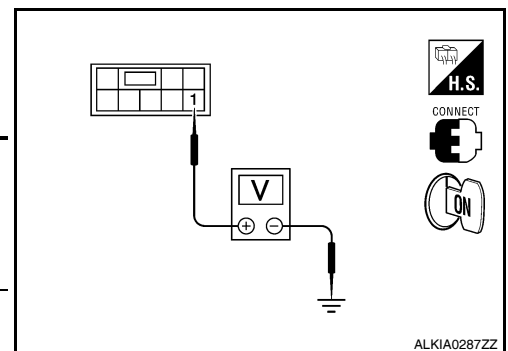
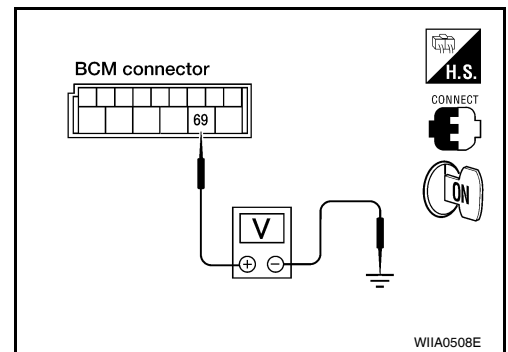
1. Turn ignition switch ON.
2. Check voltage between rear power window switch connector and ground.

Terminal			Condition	Voltage (V) (Approx.)
(+)		(-)		
Rear power window switch connector	Terminal			
LH	D203	1	Ignition switch ON	Battery voltage
RH	D303			

Is the measurement value within the specification?

- YES >> GO TO 2 (Rear power window switch LH)
- YES >> GO TO 3 (Rear power window switch RH)
- NO >> GO TO 4

2. CHECK HARNESS CONTINUITY (REAR POWER WINDOW SWITCH LH)

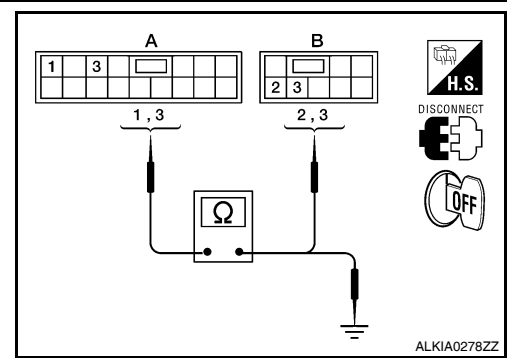


POWER SUPPLY AND GROUND CIRCUIT CHECK (CREW CAB)

< COMPONENT DIAGNOSIS >

1. Turn ignition switch OFF.
2. Disconnect main power window and door lock/unlock switch and rear power window switch LH.
3. Check continuity between main power window and door lock/unlock switch connector (A) and rear power window switch LH connector (B).

Main power window and door lock/unlock switch connector	Terminal	Rear power window switch LH connector	Terminal	Continuity
D7 (A)	1	D203 (B)	2	Yes
	3		3	



4. Check continuity between main power window and door lock/unlock switch connector (A) and ground.

Main power window and door lock/unlock switch connector	Terminal	Ground	Continuity
D7 (A)	1	Ground	No
	3		

Is the inspection result normal?

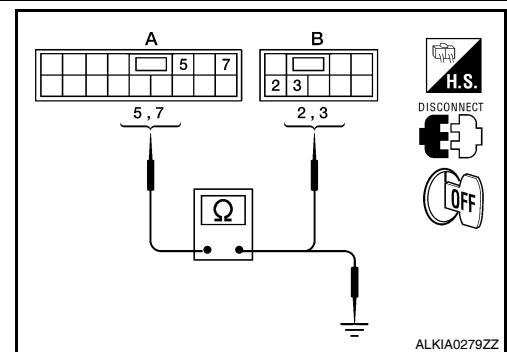
YES >> Check intermittent incident. Refer to [GI-38. "Intermittent Incident"](#).

NO >> Repair or replace harness.

3. CHECK HARNESS CONTINUITY (REAR POWER WINDOW SWITCH RH)

1. Turn ignition switch OFF.
2. Disconnect main power window and door lock/unlock switch and rear power window switch RH.
3. Check continuity between main power window and door lock/unlock switch connector (A) and rear power window switch RH connector (B).

Main power window and door lock/unlock switch connector	Terminal	Rear power window switch RH connector	Terminal	Continuity
D7 (A)	5	D303 (B)	3	Yes
	7		2	



4. Check continuity between main power window and door lock/unlock switch connector (A) and ground.

Main power window and door lock/unlock switch connector	Terminal	Ground	Continuity
D7 (A)	5	Ground	No
	7		

Is the inspection result normal?

YES >> Check intermittent incident. Refer to [GI-38. "Intermittent Incident"](#).

NO >> Repair or replace harness.

4. CHECK HARNESS CONTINUITY

1. Turn ignition switch OFF.

A
B
C
D
E
F
G
H
I
J
L
M
N
O
P

PWC

POWER SUPPLY AND GROUND CIRCUIT CHECK (CREW CAB)

< COMPONENT DIAGNOSIS >

2. Disconnect BCM and rear power window switch.
3. Check continuity between BCM connector (A) and rear power window switch connector (B).

BCM connector	Terminal	Rear power window switch connector		Terminal	Continuity
M20 (A)	68	LH	D203 (B)	1	Yes
		RH	D303 (B)		

4. Check continuity between BCM connector (A) and ground.

BCM connector	Terminal	Ground	Continuity
M20 (A)	68		No

Is the inspection result normal?

- YES >> GO TO 5
 NO >> Repair or replace harness.

5. CHECK REAR POWER WINDOW SWITCH

Check rear power window switch.

Refer to [PWC-20, "REAR POWER WINDOW SWITCH : Component Inspection"](#).

Is the inspection result normal?

- YES >> Check intermittent incident. Refer to [GI-38, "Intermittent Incident"](#).
 NO >> Replace rear power window switch. Refer to [PWC-135, "Removal and Installation - Rear Door Switch"](#).

REAR POWER WINDOW SWITCH : Component Inspection

INFOID:000000003788227

COMPONENT INSPECTION

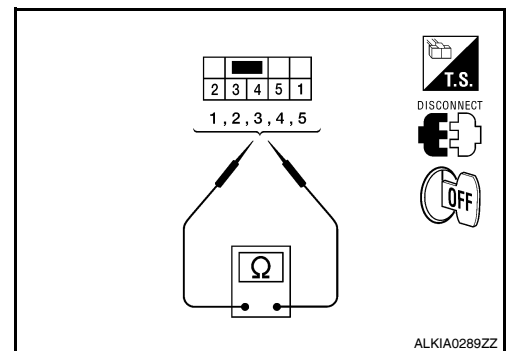
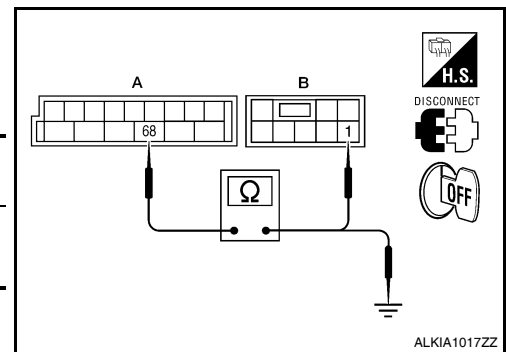
1. CHECK REAR POWER WINDOW SWITCH

Check rear power window switch.

Terminal	Power window switch condition	Continuity
1	5	Yes
3	4	
3	4	
5	2	
1	4	
5	2	

Is the inspection result normal?

- YES >> Rear power window switch is OK.
 NO >> Replace rear power window switch. Refer to [PWC-135, "Removal and Installation - Rear Door Switch"](#).



POWER SUPPLY AND GROUND CIRCUIT CHECK (KING CAB)

< COMPONENT DIAGNOSIS >

POWER SUPPLY AND GROUND CIRCUIT CHECK (KING CAB)

POWER WINDOW MAIN SWITCH

POWER WINDOW MAIN SWITCH : Description

INFOID:000000003788228

- BCM supplies power.
- It operates each power window motor via corresponding power window switch and makes window move up/down when main power window and door lock/unlock switch is operated.

POWER WINDOW MAIN SWITCH : Component Function Check

INFOID:000000003788229

Main Power Window And Door Lock/Unlock Switch

1. CHECK MAIN POWER WINDOW AND DOOR LOCK/UNLOCK SWITCH FUNCTION

Does power window motor operate with main power window and door lock/unlock switch operation?

Is the inspection result normal?

- YES >> Main power window and door lock/unlock switch power supply and ground circuit are OK.
 NO >> Refer to [PWC-21, "POWER WINDOW MAIN SWITCH : Diagnosis Procedure"](#).

POWER WINDOW MAIN SWITCH : Diagnosis Procedure

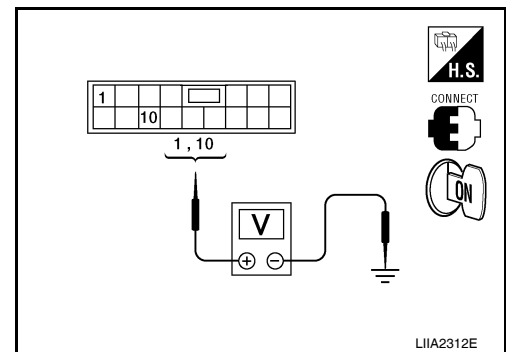
INFOID:000000003788230

Main Power Window And Door Lock/Unlock Switch Power Supply Circuit Check

1. CHECK POWER SUPPLY CIRCUIT

1. Turn ignition switch ON.
2. Check voltage between main power window and door lock/unlock switch connector and ground.

Terminal (+)		Terminal (-)	Voltage (V) (Approx.)
Main power window and door lock/unlock switch connector	Terminal		
D15	1	Ground	Battery voltage
	10		



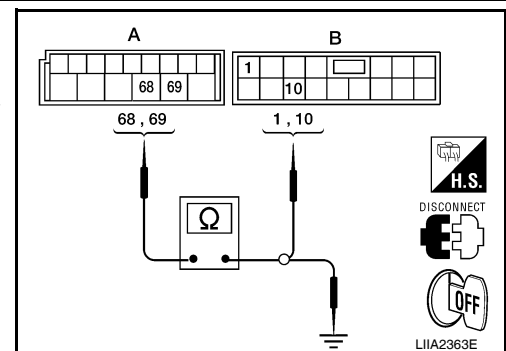
Is the measurement value within the specification?

- YES >> GO TO 3
 NO >> GO TO 2

2. CHECK HARNESS CONTINUITY

1. Turn ignition switch OFF.
2. Disconnect BCM and main power window and door lock/unlock switch.
3. Check continuity between BCM connector (A) and main power window and door lock/unlock switch connector (B).

BCM connector	Terminal	Main power window and door lock/unlock switch connector	Terminal	Continuity
M20 (A)	68	D15 (B)	10	Yes
	69		1	



4. Check continuity between BCM connector (A) and ground.

POWER SUPPLY AND GROUND CIRCUIT CHECK (KING CAB)

< COMPONENT DIAGNOSIS >

BCM connector	Terminal	Ground	Continuity
M20 (A)	68		Ground
	69		

Is the inspection result normal?

- YES >> GO TO 4
 NO >> Repair or replace harness.

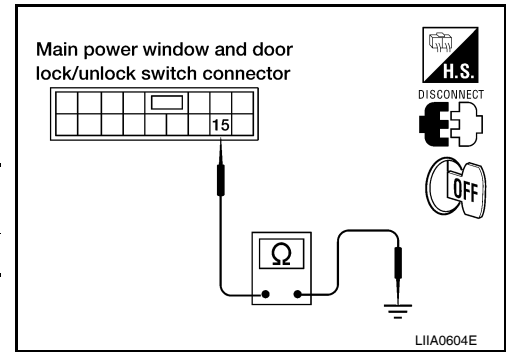
3. CHECK GROUND CIRCUIT

- Turn ignition switch OFF.
- Disconnect main power window and door lock/unlock switch.
- Check continuity between main power window and door lock/unlock switch connector and ground.

Main power window and door lock/unlock switch connector	Terminal	Ground	Continuity
D15	15		Ground

Is the inspection result normal?

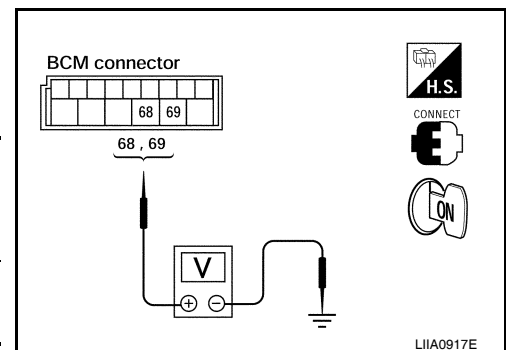
- YES >> Replace main power window and door lock/unlock switch. Refer to [PWC-133, "Removal and Installation"](#).
 NO >> Repair or replace harness.



4. CHECK BCM OUTPUT SIGNAL

- Connect BCM.
- Turn ignition switch ON.
- Check voltage between BCM connector and ground.

Terminals		Voltage (V) (Approx.)
(+)	(-)	
BCM connector	Terminal	Battery voltage
M20	68	
	69	



Is the measurement value within the specification?

- YES >> GO TO 5
 NO >> Replace BCM. Refer to [BCS-53, "Removal and Installation"](#).

5. CHECK MAIN POWER WINDOW AND DOOR LOCK/UNLOCK SWITCH

Check main power window and door lock/unlock switch.

Is the inspection result normal?

- YES >> Check intermittent incident. Refer to [GI-38, "Intermittent Incident"](#).
 NO >> Replace main power window and door lock/unlock switch. Refer to [PWC-133, "Removal and Installation"](#).

FRONT POWER WINDOW SWITCH

FRONT POWER WINDOW SWITCH : Description

INFOID:000000003788231

- BCM supplies power.
- Front power window motor RH will be operated if power window and door lock/unlock switch RH is operated.

FRONT POWER WINDOW SWITCH : Component Function Check

INFOID:000000003788232

Power Window And Door Lock/Unlock Switch RH

1. CHECK FRONT POWER WINDOW MOTOR RH FUNCTION

Does front power window motor RH operate with power window and door lock/unlock switch RH operation?

POWER SUPPLY AND GROUND CIRCUIT CHECK (KING CAB)

< COMPONENT DIAGNOSIS >

Is the inspection result normal?

- YES >> Power window and door lock/unlock switch RH power supply and ground circuit are OK.
- NO >> Refer to [PWC-23. "FRONT POWER WINDOW SWITCH : Diagnosis Procedure"](#).

FRONT POWER WINDOW SWITCH : Diagnosis Procedure

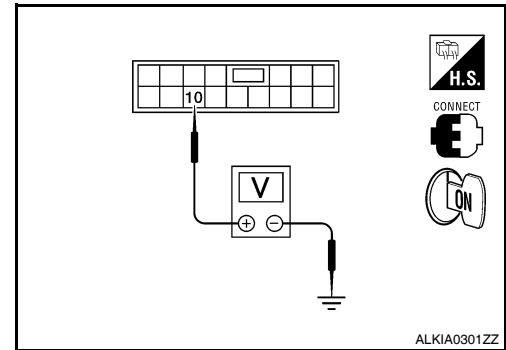
INFOID:000000003788233

Power Window And Door Lock/Unlock Switch RH Power Supply Circuit Check

1. CHECK POWER SUPPLY CIRCUIT

1. Turn ignition switch ON.
2. Check voltage between power window and door lock/unlock switch RH connector and ground.

Terminal		Terminal	Voltage (V) (Approx.)
(+)	(-)		
Power window and door lock/unlock switch RH connector			
D105	10	Ground	Battery voltage



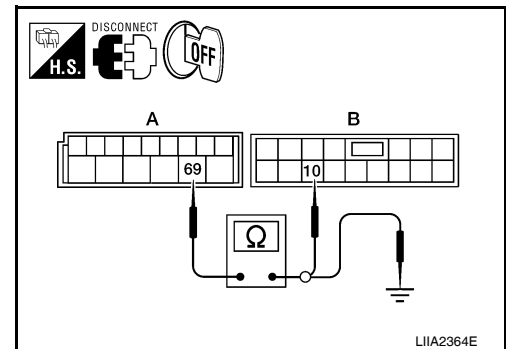
Is the measurement value within the specification?

- YES >> GO TO 3
- NO >> GO TO 2

2. CHECK HARNESS CONTINUITY

1. Turn ignition switch OFF.
2. Disconnect BCM and power window and door lock/unlock switch RH.
3. Check continuity between BCM connector (A) and power window and door lock/unlock switch RH connector (B).

BCM connector	Terminal	Power window and door lock/unlock switch RH connector	Terminal	Continuity
M20 (A)	69	D105 (B)	10	Yes



4. Check continuity between BCM connector (A) and ground.

BCM connector	Terminal	Ground	Continuity
M20 (A)	69		No

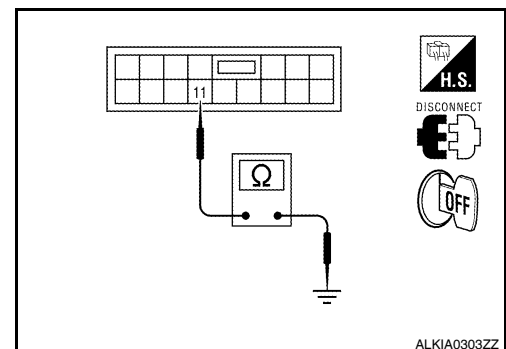
Is the inspection result normal?

- YES >> GO TO 4
- NO >> Repair or replace harness.

3. CHECK GROUND CIRCUIT

1. Turn ignition switch OFF.
2. Disconnect power window and door lock/unlock switch RH.
3. Check continuity between power window and door lock/unlock switch RH connector and ground.

Power window and door lock/unlock switch RH	Terminal	Ground	Continuity
D105	11		Yes



Is the inspection result normal?

- YES >> Replace power window and door lock/unlock switch RH. Refer to [PWC-134. "Removal and Installation"](#).
- NO >> Repair or replace harness.

A
B
C
D
E
F
G
H
I
J
L
M
N
O
P

PWC

POWER SUPPLY AND GROUND CIRCUIT CHECK (KING CAB)

< COMPONENT DIAGNOSIS >

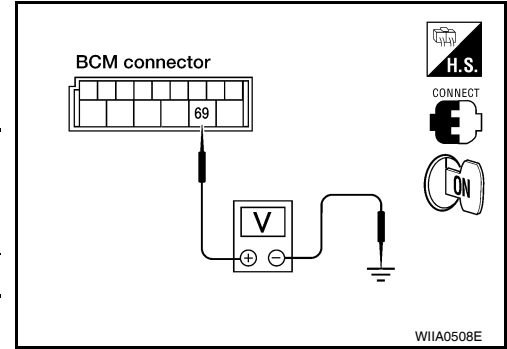
4. CHECK BCM OUTPUT SIGNAL

1. Connect BCM.
2. Turn ignition switch ON.
3. Check voltage between BCM connector and ground.

Terminals		(-)	Voltage (V) (Approx.)
(+)			
BCM connector	Terminal		
M20	69	Ground	Battery voltage

Is the measurement value within the specification?

- YES >> Replace power window and door lock/unlock switch RH.
Refer to [PWC-134, "Removal and Installation"](#).
- NO >> Replace BCM. Refer to [BCS-53, "Removal and Installation"](#).



POWER WINDOW MOTOR

< COMPONENT DIAGNOSIS >

POWER WINDOW MOTOR DRIVER SIDE

DRIVER SIDE : Description

INFOID:000000003788234

Door glass moves UP/DOWN by receiving the signal from power window main switch.

DRIVER SIDE : Component Function Check

INFOID:000000003788235

1. CHECK POWER WINDOW MOTOR CIRCUIT

Does front power window motor LH operate with operating main power window and door lock/unlock switch?
Is the inspection result normal?

- YES >> Front power window motor LH is OK.
- NO >> Refer to [PWC-25. "DRIVER SIDE : Diagnosis Procedure"](#).

DRIVER SIDE : Diagnosis Procedure

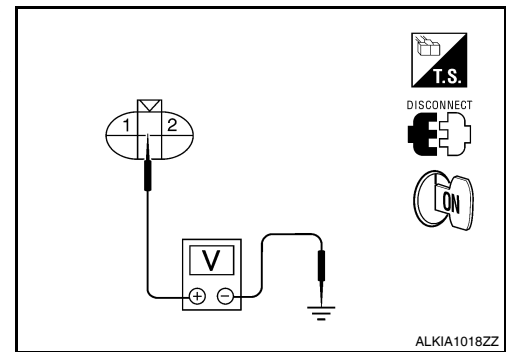
INFOID:000000003788236

Front Power Window Motor LH Circuit Check

1. CHECK MAIN POWER WINDOW AND DOOR LOCK/UNLOCK SWITCH OUTPUT SIGNAL

1. Disconnect front power window motor LH.
2. Turn ignition switch ON.
3. Check voltage between front power window motor LH connector and ground.

Terminal (+)		Terminal (-)	Main power window and door lock/unlock switch condition	Voltage (V) (Approx.)
Power window motor LH connector	Terminal			
D9	2	Ground	UP	Battery voltage
			DOWN	0
	1		UP	0
			DOWN	Battery voltage



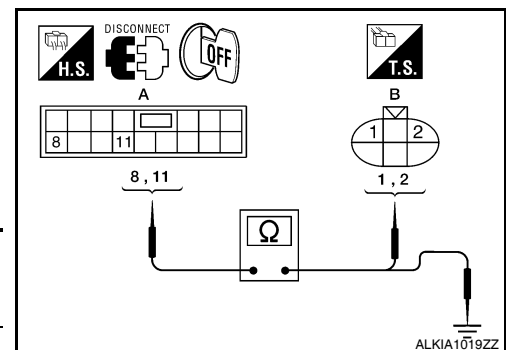
Is the measurement value within the specification?

- YES >> GO TO 2
- NO >> Replace main power window and door lock/unlock switch. Refer to [PWC-133. "Removal and Installation"](#).

2. CHECK HARNESS CONTINUITY

1. Turn ignition switch OFF.
2. Disconnect main power window and door lock/unlock switch and front power window motor LH.
3. Check continuity between main power window and door lock/unlock switch connector (A) and front power window motor connector LH (B).

Main power window and door lock/unlock switch connector	Terminal	Front power window motor LH connector	Terminal	Continuity
D7 (A) (Crew Cab)	8	D9 (B)	2	Yes
D15 (A) (King Cab)	11		1	



4. Check continuity between main power window and door lock/unlock switch connector (A) and ground.

POWER WINDOW MOTOR

< COMPONENT DIAGNOSIS >

Main power window and door lock/unlock switch connector	Terminal	Ground	Continuity
D7 (A) (Crew Cab) D15 (A) (King Cab)	8 11		No

Is the inspection result normal?

YES >> GO TO 3

NO >> Repair or replace harness.

3. CHECK POWER WINDOW MOTOR

Check front power window motor LH.

Refer to [PWC-26, "DRIVER SIDE : Component Inspection"](#).

Is the inspection result normal?

YES >> Check intermittent incident. Refer to [GI-38, "Intermittent Incident"](#).

NO >> Replace power window motor LH. Refer to [GW-18, "Removal and Installation"](#).

DRIVER SIDE : Component Inspection

INFOID:000000003788237

COMPONENT INSPECTION

1. CHECK FRONT POWER WINDOW MOTOR LH

Does motor operate by connecting the battery voltage directly to power window motor?

Terminal		Motor condition
(+)	(-)	
1	2	DOWN
2	1	UP

Is the inspection result normal?

YES >> Front power window motor LH is OK.

NO >> Replace front power window motor LH. Refer to [GW-18, "Removal and Installation"](#).

PASSENGER SIDE

PASSENGER SIDE : Description

INFOID:000000003788238

Door glass moves UP/DOWN by receiving the signal from main power window and door lock/unlock switch or power window and door lock/unlock switch RH.

PASSENGER SIDE : Component Function Check

INFOID:000000003788239

1. CHECK POWER WINDOW MOTOR CIRCUIT

Does power window motor operate with operating main power window and door lock/unlock switch or power window and door lock/unlock switch RH?

Is the inspection result normal?

YES >> Front power window motor RH is OK.

NO >> Refer to [PWC-26, "PASSENGER SIDE : Diagnosis Procedure"](#).

PASSENGER SIDE : Diagnosis Procedure

INFOID:000000003788240

Front Power Window Motor RH Circuit Check

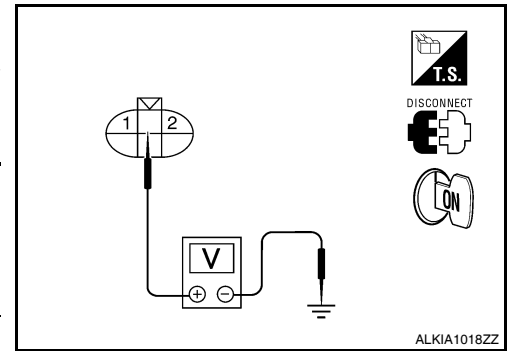
1. CHECK FRONT POWER WINDOW SWITCH RH OUTPUT SIGNAL

POWER WINDOW MOTOR

< COMPONENT DIAGNOSIS >

1. Disconnect front power window motor RH.
2. Turn ignition switch ON.
3. Check voltage between front power window motor RH connector and ground.

Terminal (+)		Terminal (-)	Front power window motor RH condition	Voltage (V) (Approx.)
Front power window motor RH connector	Terminal			
D104	2	Ground	UP	Battery voltage
			DOWN	0
	1		UP	0
			DOWN	Battery voltage



Is the measurement value within the specification?

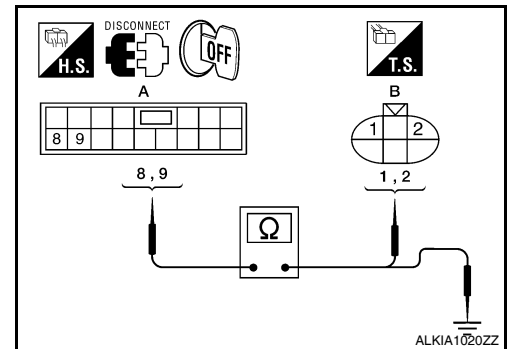
YES >> GO TO 2

NO >> Replace power window and door lock/unlock switch RH. Refer to [PWC-134, "Removal and Installation"](#).

2. CHECK HARNESS CONTINUITY

1. Turn ignition switch OFF.
2. Disconnect power window and door lock/unlock switch RH.
3. Check continuity between power window and door lock/unlock switch RH connector (A) and front power window motor RH connector (B).

Power window and door lock/unlock switch RH connector	Terminal	Front power window motor RH connector	Terminal	Continuity
D105 (A)	8	D104 (B)	2	Yes
	9		1	



4. Check continuity between power window and door lock/unlock switch RH connector (A) and ground.

Power window and door lock/unlock switch RH connector	Terminal	Ground	Continuity
D105 (A)	8	Ground	No
	9		

Is the inspection result normal?

YES >> GO TO 3

NO >> Repair or replace harness.

3. CHECK FRONT POWER WINDOW MOTOR RH

Check front power window motor RH.

Refer to [PWC-27, "PASSENGER SIDE : Component Inspection"](#).

Is the inspection result normal?

YES >> Check intermittent incident. Refer to [GI-38, "Intermittent Incident"](#).

NO >> Replace front power window motor RH. Refer to [GW-18, "Removal and Installation"](#).

PASSENGER SIDE : Component Inspection

INFOID:000000003788241

COMPONENT INSPECTION

1. CHECK FRONT POWER WINDOW MOTOR RH

Does motor operate by connecting the battery voltage directly to front power window motor RH?

POWER WINDOW MOTOR

< COMPONENT DIAGNOSIS >

Terminal		Motor condition
(+)	(-)	
1	2	DOWN
2	1	UP

Is the inspection result normal?

YES >> Front power window motor RH is OK.

NO >> Replace front power window motor RH. Refer to [GW-18. "Removal and Installation"](#).

REAR LH

REAR LH : Description

INFOID:000000003788242

Door glass moves UP/DOWN by receiving the signal from power window main switch or rear power window switch LH.

REAR LH : Component Function Check

INFOID:000000003788243

1. CHECK REAR POWER WINDOW MOTOR LH CIRCUIT

Does rear power window motor LH operate with main power window and door lock/unlock switch or rear power window switch LH?

Is the inspection result normal?

YES >> Rear power window motor LH is OK.

NO >> Refer to [PWC-28. "REAR LH : Diagnosis Procedure"](#)

REAR LH : Diagnosis Procedure

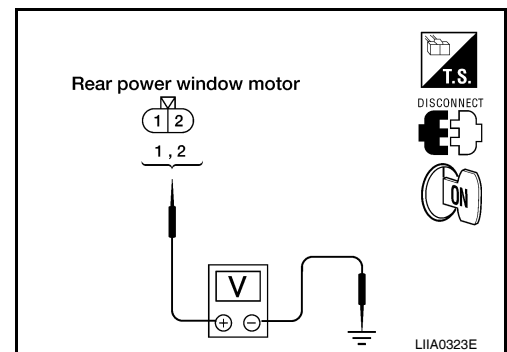
INFOID:000000003788244

Power Window Motor Circuit Check

1. CHECK REAR POWER WINDOW SWITCH OUTPUT SIGNAL

1. Disconnect rear power window motor LH.
2. Turn ignition switch ON.
3. Check voltage between rear power window motor LH connector and ground.

Terminal		Window condition	Voltage (V) (Approx.)
(+)	(-)		
Rear power window motor LH connector	Terminal		
D204	1	UP	Battery voltage
		DOWN	0
	2	UP	0
		DOWN	Battery voltage



Is the measurement value within the specification?

YES >> GO TO 2

NO >> Check rear power window switch LH. Refer to [PWC-18. "REAR POWER WINDOW SWITCH : Component Function Check"](#).

2. CHECK HARNESS CONTINUITY

POWER WINDOW MOTOR

< COMPONENT DIAGNOSIS >

1. Turn ignition switch OFF.
2. Disconnect rear power window switch LH.
3. Check continuity between rear power window switch LH connector (A) and rear power window motor LH connector (B).

Rear power window switch LH connector	Terminal	Rear power window motor LH connector	Terminal	Continuity
D203 (A)	5	D204 (B)	2	Yes
	4		1	

4. Check continuity between rear power window switch LH connector (A) and ground.

Rear power window switch LH connector	Terminal	Ground	Continuity
D203 (A)	5	Ground	No
	4		

Is the inspection result normal?

- YES >> GO TO 3
 NO >> Repair or replace harness.

3. CHECK REAR POWER WINDOW MOTOR LH

Check rear power window motor LH.

Refer to [PWC-29, "REAR LH : Component Inspection"](#).

Is the inspection result normal?

- YES >> Check intermittent incident. Refer to [GI-38, "Intermittent Incident"](#).
 NO >> Replace rear power window motor LH. Refer to [GW-22, "Rear Door Glass Regulator Assembly"](#).

REAR LH : Component Inspection

INFOID:000000003788245

COMPONENT INSPECTION

1. CHECK REAR POWER WINDOW MOTOR LH

Does motor operate by connecting the battery voltage directly to rear power window motor LH?

Terminal		Motor condition
(+)	(-)	
2	1	DOWN
1	2	UP

Is the inspection result normal?

- YES >> Rear power window motor LH is OK.
 NO >> Replace rear power window motor LH. Refer to [GW-22, "Rear Door Glass Regulator Assembly"](#).

REAR RH

REAR RH : Description

INFOID:000000003788246

Door glass moves UP/DOWN by receiving the signal from main power window and door lock/unlock switch or rear power window switch RH.

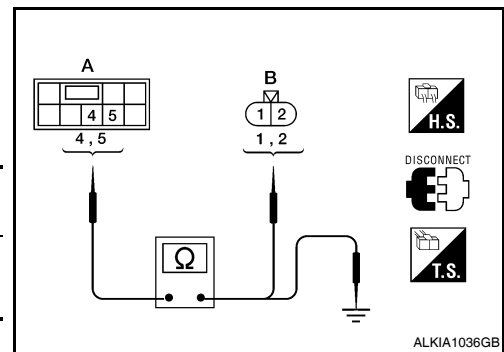
REAR RH : Component Function Check

INFOID:000000003788247

1. CHECK REAR POWER WINDOW MOTOR RH CIRCUIT

Does rear power window motor RH operate with operating main power window and door lock/unlock switch or rear power window switch RH?

Is the inspection result normal?



POWER WINDOW MOTOR

< COMPONENT DIAGNOSIS >

- YES >> Rear power window motor RH is OK.
 NO >> Refer to [PWC-30, "REAR RH : Diagnosis Procedure"](#).

REAR RH : Diagnosis Procedure

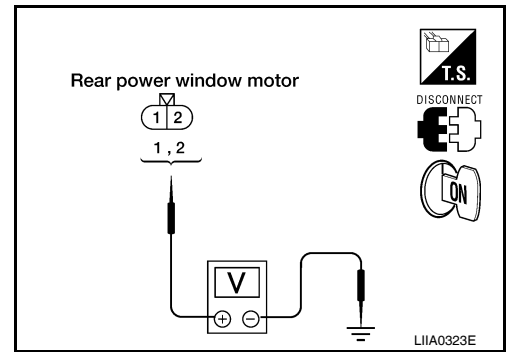
INFOID:000000003788248

Rear Power Window Motor RH Circuit Check

1. CHECK REAR POWER WINDOW SWITCH RH OUTPUT SIGNAL

1. Disconnect rear power window motor RH.
2. Turn ignition switch ON.
3. Check voltage between rear power window motor RH connector and ground.

Terminal (+)		Terminal (-)	Rear power window switch RH condition	Voltage (V) (Approx.)
Rear power window motor RH connector	Terminal			
D304	1	Ground	UP	Battery voltage
			DOWN	0
	2		UP	0
			DOWN	Battery voltage



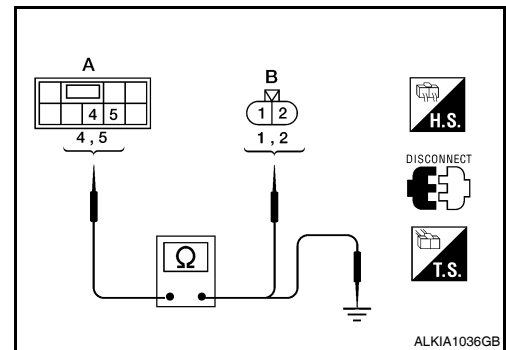
Is the measurement value within the specification?

- YES >> GO TO 2
 NO >> Check rear power window switch RH. Refer to [PWC-18, "REAR POWER WINDOW SWITCH : Component Function Check"](#).

2. CHECK HARNESS CONTINUITY

1. Turn ignition switch OFF.
2. Disconnect rear power window switch RH.
3. Check continuity between rear power window switch RH connector (A) and rear power window motor RH connector (B).

Rear power window switch RH connector	Terminal	Rear power window motor RH connector	Terminal	Continuity
D303 (A)	5	D304 (B)	2	Yes
	4		1	



4. Check continuity between rear power window switch RH connector (A) and ground.

Rear power window switch RH connector	Terminal	Ground	Continuity
D303 (A)	5	Ground	No
	4		

Is the inspection result normal?

- YES >> GO TO 3
 NO >> Repair or replace harness.

3. CHECK REAR POWER WINDOW MOTOR RH

Check rear power window motor RH.
 Refer to [PWC-31, "REAR RH : Component Inspection"](#).

Is the inspection result normal?

- YES >> Check intermittent incident. Refer to [GI-38, "Intermittent Incident"](#).
 NO >> Replace rear power window motor RH. Refer to [GW-22, "Rear Door Glass Regulator Assembly"](#).

POWER WINDOW MOTOR

< COMPONENT DIAGNOSIS >

REAR RH : Component Inspection

INFOID:000000003788249

COMPONENT INSPECTION

1. CHECK REAR POWER WINDOW MOTOR RH

Does motor operate by connecting the battery voltage directly to rear power window motor RH?

Terminal		Motor condition
(+)	(-)	
2	1	DOWN
1	2	UP

Is the inspection result normal?

YES >> Rear power window motor RH is OK.

NO >> Replace rear power window motor RH. Refer to [GW-22, "Rear Door Glass Regulator Assembly"](#).

A
B
C
D
E
F
G
H
I
J
L
M
N
O
P

PWC

ENCODER CIRCUIT CHECK FRONT (CREW CAB)

< COMPONENT DIAGNOSIS >

ENCODER CIRCUIT CHECK FRONT (CREW CAB) DRIVER SIDE

DRIVER SIDE : Description

INFOID:000000003788250

Detects condition of the front power window motor LH operation and transmits to main power window and door lock/unlock switch as pulse signal.

DRIVER SIDE : Component Function Check

INFOID:000000003788251

1. CHECK ENCODER OPERATION

Does front door glass LH perform AUTO open/close operation normally when operating main power window and door lock/unlock switch?

Is the inspection result normal?

YES >> Encoder operation is OK.

NO >> Refer to [PWC-32, "DRIVER SIDE : Diagnosis Procedure"](#)

DRIVER SIDE : Diagnosis Procedure

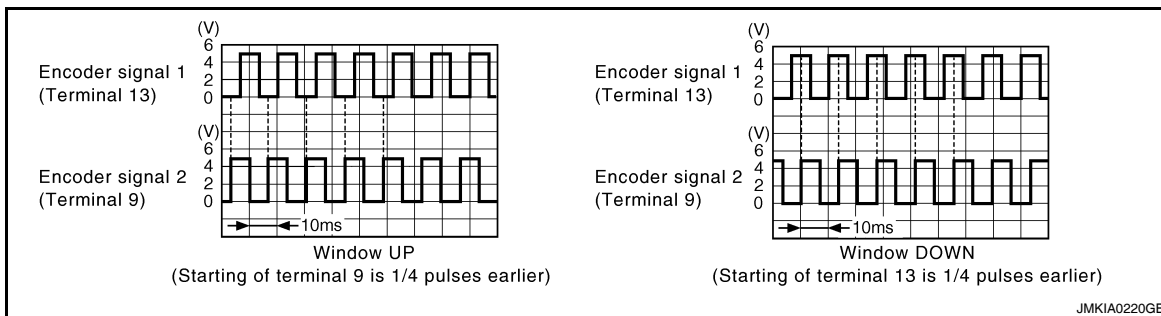
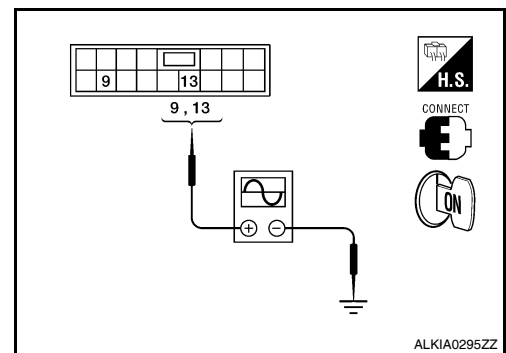
INFOID:000000003788252

Encoder Circuit Check

1. CHECK ENCODER OPERATION

1. Turn ignition switch ON.
2. Check signal between main power window and door lock/unlock switch connector and ground with oscilloscope.

Terminals		Signal (Reference value)
(+)	(-)	
Main power window and door lock/unlock switch connector	Terminal	Ground
D7	9	
	13	Refer to following signal



Is the inspection result normal?

YES >> Check intermittent incident. Refer to [GI-38, "Intermittent Incident"](#).

NO >> GO TO 2

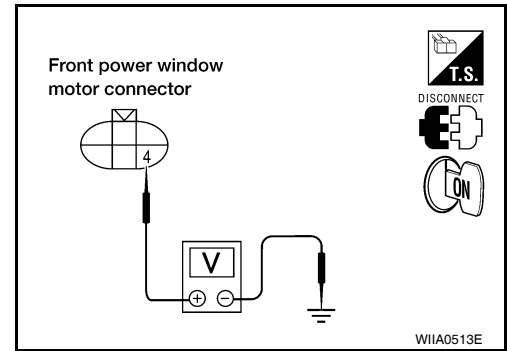
2. CHECK FRONT POWER WINDOW MOTOR LH POWER SUPPLY

ENCODER CIRCUIT CHECK FRONT (CREW CAB)

< COMPONENT DIAGNOSIS >

1. Disconnect front power window motor LH.
2. Check voltage between front power window motor LH connector and ground.

Terminal		Voltage (V) (Approx.)
(+)	(-)	
Front power window motor LH connector	Terminal	
D9	4	Ground 10



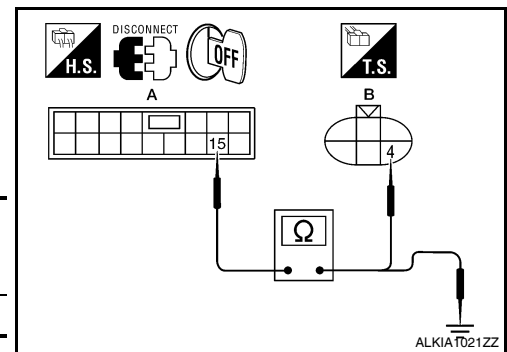
Is the measurement value within the specification?

- YES >> GO TO 4
NO >> GO TO 3

3. CHECK HARNESS CONTINUITY 1

1. Turn ignition switch OFF.
2. Disconnect main power window and door lock/unlock switch.
3. Check continuity between main power window and door lock/unlock switch connector (A) and front power window motor LH connector (B).

Main power window and door lock/unlock switch connector	Terminal	Front power window motor LH connector	Terminal	Continuity
D7 (A)	15	D9 (B)	4	Yes



4. Check continuity between main power window and door lock/unlock switch connector (A) and ground.

Main power window and door lock/unlock switch connector	Terminal	Ground	Continuity
D7 (A)	15		No

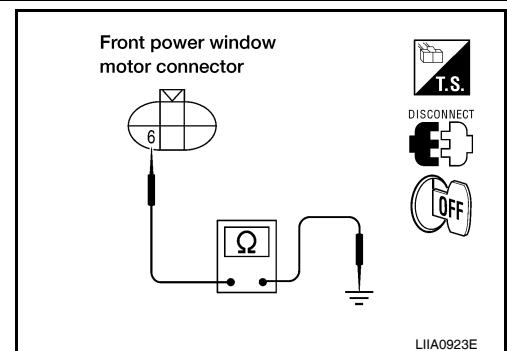
Is the inspection result normal?

- YES >> Replace main power window and door lock/unlock switch. Refer to [PWC-133, "Removal and Installation"](#).
NO >> Repair or replace harness.

4. CHECK GROUND CIRCUIT

1. Turn ignition switch OFF.
2. Check continuity between front power window motor LH connector and ground.

Front power window motor LH connector	Terminal	Ground	Continuity
D9	6		Yes



Is the inspection result normal?

- YES >> GO TO 6
NO >> GO TO 5

5. CHECK HARNESS CONTINUITY 2

A
B
C
D
E
F
G
H
I
J
L
M
N
O
P

PWC

ENCODER CIRCUIT CHECK FRONT (CREW CAB)

< COMPONENT DIAGNOSIS >

1. Disconnect main power window and door lock/unlock switch.
2. Check continuity between main power window and door lock/unlock switch connector and front power window motor LH connector.

Main power window and door lock/unlock switch connector	Terminal	Front power window motor LH connector	Terminal	Continuity
D7	2	D9	6	Yes

Is the inspection result normal?

YES >> Replace main power window and door lock/unlock switch. Refer to [PWC-133, "Removal and Installation"](#).

NO >> Repair or replace harness.

6. CHECK HARNESS CONTINUITY 3

1. Disconnect main power window and door lock/unlock switch.
2. Check continuity between main power window and door lock/unlock switch connector (A) and front power window motor LH connector (B).

Main power window and door lock/unlock switch connector	Terminal	Front power window motor LH connector	Terminal	Continuity
D7 (A)	9	D9 (B)	5	Yes
	13		3	

3. Check continuity between main power window and door lock/unlock switch connector (A) and ground.

Main power window and door lock/unlock switch connector	Terminal	Ground	Continuity
D7 (A)	9	Ground	No
	13		

Is the inspection result normal?

YES >> Replace front power window motor LH. Refer to [GW-18, "Removal and Installation"](#).

NO >> Repair or replace harness.

PASSENGER SIDE

PASSENGER SIDE : Description

INFOID:000000003788253

Detects condition of the front power window motor RH operation and transmits to power window and door lock/unlock switch RH as pulse signal.

PASSENGER SIDE : Component Function Check

INFOID:000000003788254

1. CHECK ENCODER OPERATION

Does front door glass RH perform AUTO open/close operation normally when operating power window and door lock/unlock switch RH?

Is the inspection result normal?

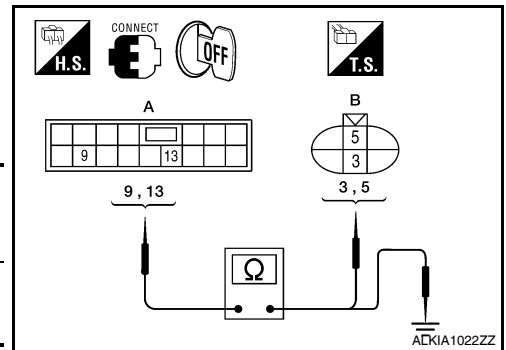
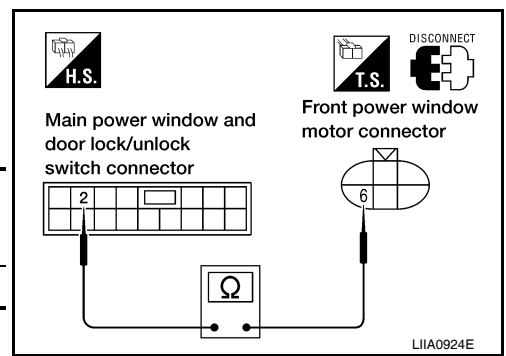
YES >> Encoder operation is OK.

NO >> Refer to [PWC-34, "PASSENGER SIDE : Diagnosis Procedure"](#).

PASSENGER SIDE : Diagnosis Procedure

INFOID:000000003788255

1. CHECK ENCODER SIGNAL

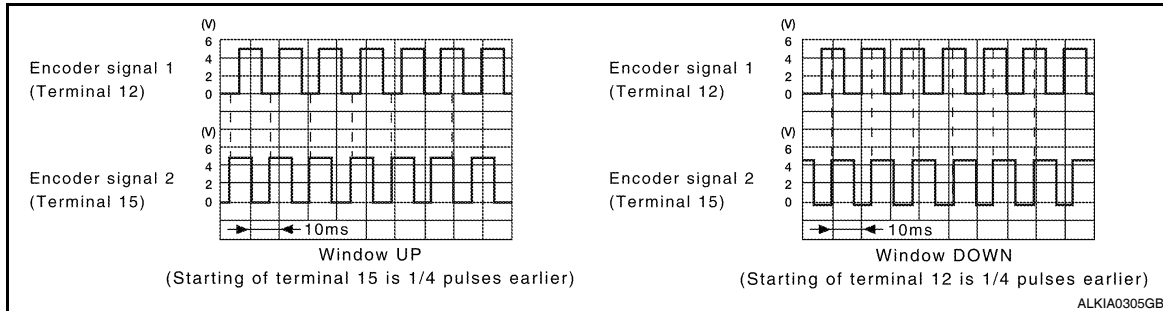
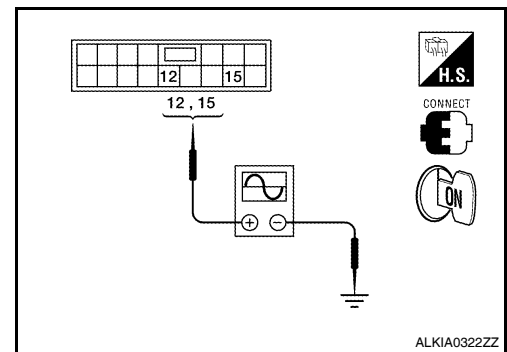


ENCODER CIRCUIT CHECK FRONT (CREW CAB)

< COMPONENT DIAGNOSIS >

1. Turn ignition switch ON.
2. Check signal between power window and door lock/unlock switch RH connector and ground with oscilloscope.

Terminals			Signal (Reference value)
(+)		(-)	
Power window and door lock/unlock switch RH connector	Terminal		
D105	12	Ground	Refer to following signal
	15		



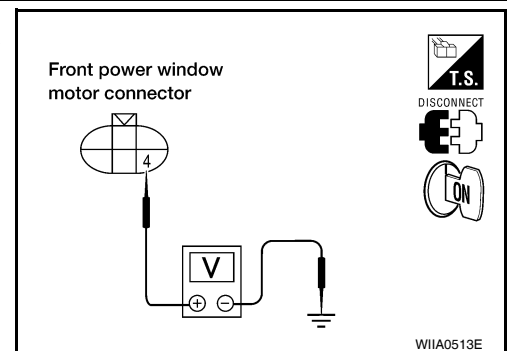
Is the inspection result normal?

- YES >> Check intermittent incident. Refer to [GI-38, "Intermittent Incident"](#).
 NO >> GO TO 2

2. CHECK FRONT POWER WINDOW MOTOR RH POWER SUPPLY

1. Disconnect front power window motor RH.
2. Check voltage between front power window motor RH connector and ground.

Terminal			Voltage (V) (Approx.)
(+)		(-)	
Front power window motor RH connector	Terminal		
D105	4	Ground	10



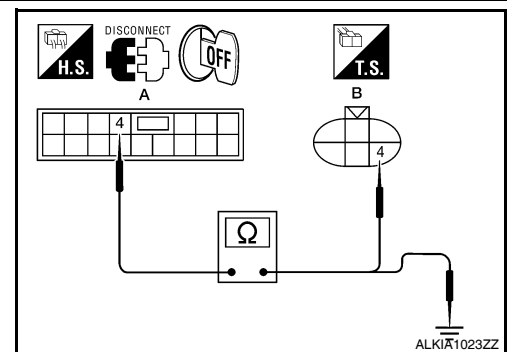
Is the measurement value within the specification?

- YES >> GO TO 4
 NO >> GO TO 3

3. CHECK HARNESS CONTINUITY 1

1. Turn ignition switch OFF.
2. Disconnect power window and door lock/unlock switch RH.
3. Check continuity between power window and door lock/unlock switch RH connector (A) and front power window motor RH connector (B).

Power window and door lock/unlock switch RH connector	Terminal	Front power window motor RH connector	Terminal	Continuity
D105 (A)	4	D104 (B)	4	Yes



4. Check continuity between power window and door lock/unlock switch RH connector (A) and ground.

ENCODER CIRCUIT CHECK FRONT (CREW CAB)

< COMPONENT DIAGNOSIS >

Power window and door lock/unlock switch RH connector	Terminal	Ground	Continuity
D105 (A)	4		No

Is the inspection result normal?

YES >> Replace power window and door lock/unlock switch RH. Refer to [PWC-134. "Removal and Installation"](#).

NO >> Repair or replace harness.

4. CHECK GROUND CIRCUIT

- Turn ignition switch OFF.
- Check continuity between front power window motor RH connector and ground.

Front power window motor RH connector	Terminal	Ground	Continuity
D104	6		Yes

Is the inspection result normal?

YES >> GO TO 6

NO >> GO TO 5

5. CHECK HARNESS CONTINUITY 2

- Disconnect power window and door lock/unlock switch RH.
- Check continuity between power window and door lock/unlock switch RH connector and front power window motor RH connector.

Power window and door lock/unlock switch RH connector	Terminal	Front power window motor RH connector	Terminal	Continuity
D105	3	D104	6	Yes

Is the inspection result normal?

YES >> Replace power window and door lock/unlock switch RH. Refer to [PWC-134. "Removal and Installation"](#).

NO >> Repair or replace harness.

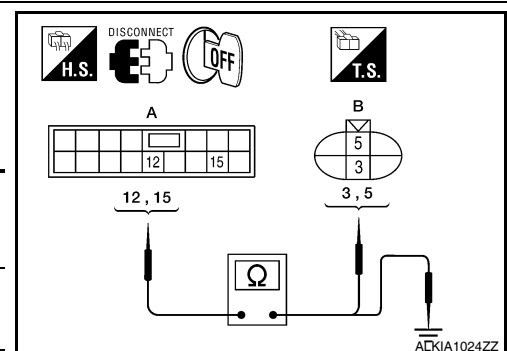
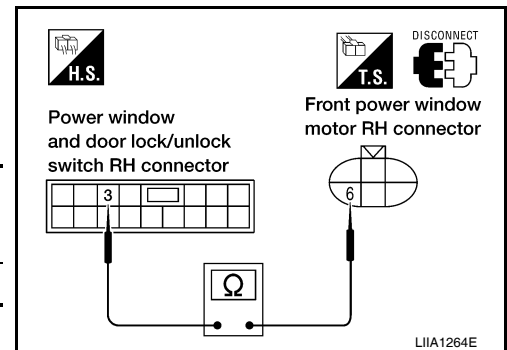
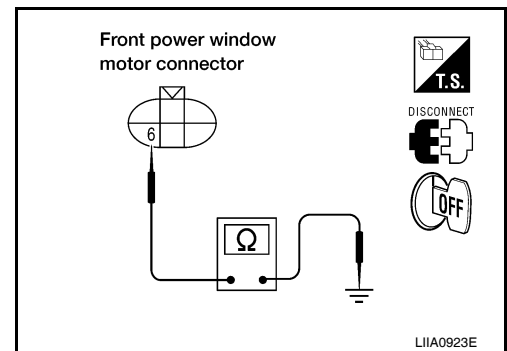
6. CHECK HARNESS CONTINUITY 3

- Disconnect power window and door lock/unlock switch RH.
- Check continuity between power window and door lock/unlock switch RH connector (A) and front power window motor RH connector (B).

Power window and door lock/unlock switch RH connector	Terminal	Front power window motor RH connector	Terminal	Continuity
D105 (A)	12	D104 (B)	3	Yes
	15		5	

- Check continuity between power window and door lock/unlock switch RH connector (A) and ground.

Power window and door lock/unlock switch RH connector	Terminal	Ground	Continuity
D105 (A)	12		No
	15		



ENCODER CIRCUIT CHECK FRONT (CREW CAB)

< COMPONENT DIAGNOSIS >

Is the inspection result normal?

YES >> Replace front power window motor RH. Refer to [GW-18, "Removal and Installation"](#).

NO >> Repair or replace harness.

A

B

C

D

E

F

G

H

I

J

PWC

L

M

N

O

P

ENCODER CIRCUIT CHECK FRONT (KING CAB)

< COMPONENT DIAGNOSIS >

ENCODER CIRCUIT CHECK FRONT (KING CAB) DRIVER SIDE

DRIVER SIDE : Description

INFOID:000000003788256

Detects condition of the front power window motor LH operation and transmits to main power window and door lock/unlock switch as pulse signal.

DRIVER SIDE : Component Function Check

INFOID:000000003788257

1. CHECK ENCODER OPERATION

Does front door glass LH perform AUTO open/close operation normally when operating main power window and door lock/unlock switch?

Is the inspection result normal?

YES >> Encoder operation is OK.

NO >> Refer to [PWC-38, "DRIVER SIDE : Diagnosis Procedure"](#)

DRIVER SIDE : Diagnosis Procedure

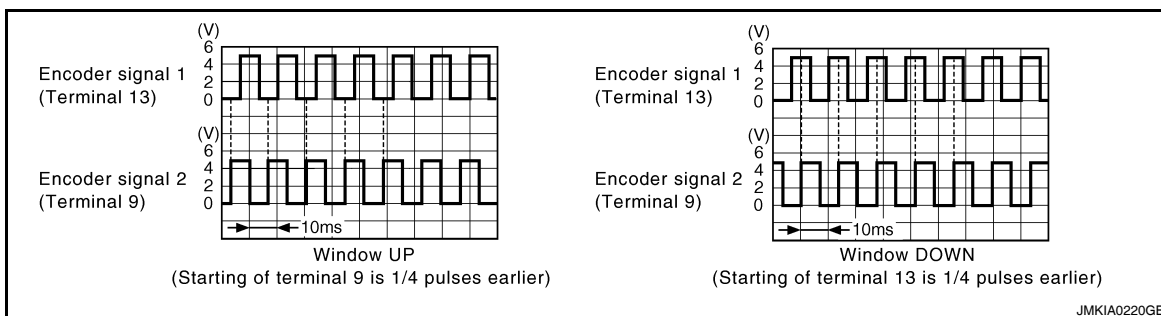
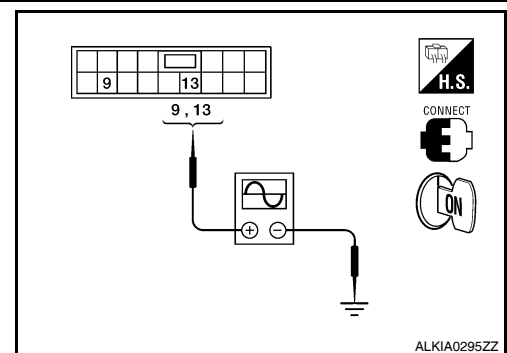
INFOID:000000003788258

Encoder Circuit Check

1. CHECK ENCODER OPERATION

1. Turn ignition switch ON.
2. Check signal between main power window and door lock/unlock switch connector and ground with oscilloscope.

Terminals		Signal (Reference value)
(+)	(-)	
Main power window and door lock/unlock switch connector	Terminal	Ground
D15	9	
	13	Refer to following signal



Is the inspection result normal?

YES >> Check intermittent incident. Refer to [GI-38, "Intermittent Incident"](#).

NO >> GO TO 2

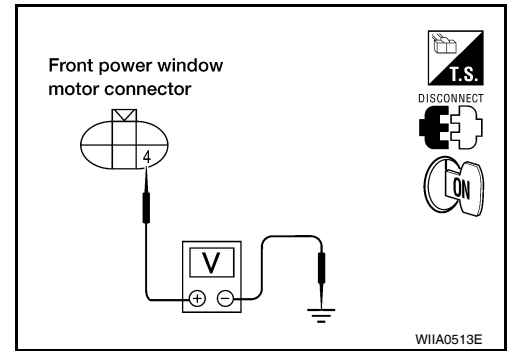
2. CHECK FRONT POWER WINDOW MOTOR LH POWER SUPPLY

ENCODER CIRCUIT CHECK FRONT (KING CAB)

< COMPONENT DIAGNOSIS >

1. Disconnect front power window motor LH.
2. Check voltage between front power window motor LH connector and ground.

Terminal (+)		Terminal (-)	Voltage (V) (Approx.)
Front power window motor LH connector	Terminal		
D9	4	Ground	10



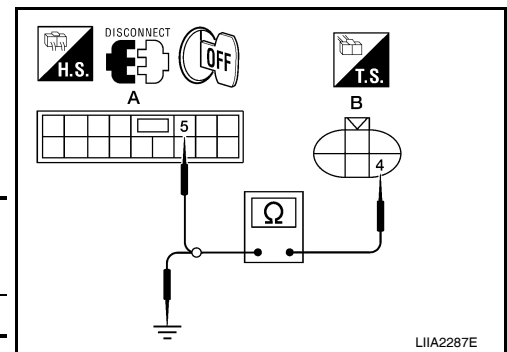
Is the measurement value within the specification?

- YES >> GO TO 4
NO >> GO TO 3

3. CHECK HARNESS CONTINUITY 1

1. Turn ignition switch OFF.
2. Disconnect main power window and door lock/unlock switch.
3. Check continuity between main power window and door lock/unlock switch connector (A) and front power window motor LH connector (B).

Main power window and door lock/unlock switch connector	Terminal	Front power window motor LH connector	Terminal	Continuity
D15 (A)	5	D9 (B)	4	Yes



4. Check continuity between main power window and door lock/unlock switch connector (A) and ground.

Main power window and door lock/unlock switch connector	Terminal	Ground	Continuity
D9 (B)	4		No

Is the inspection result normal?

- YES >> Replace main power window and door lock/unlock switch. Refer to [PWC-133, "Removal and Installation"](#).
NO >> Repair or replace harness.

4. CHECK GROUND CIRCUIT

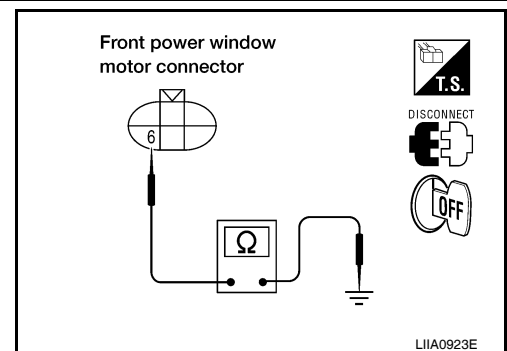
1. Turn ignition switch OFF.
2. Check continuity between front power window motor LH connector and ground.

Front power window motor LH connector	Terminal	Ground	Continuity
D9	6		Yes

Is the inspection result normal?

- YES >> GO TO 6
NO >> GO TO 5

5. CHECK HARNESS CONTINUITY 2



A
B
C
D
E
F
G
H
I
J
L
M
N
O
P

PWC

ENCODER CIRCUIT CHECK FRONT (KING CAB)

< COMPONENT DIAGNOSIS >

1. Disconnect main power window and door lock/unlock switch.
2. Check continuity between main power window and door lock/unlock switch connector and front power window motor LH connector.

Main power window and door lock/unlock switch connector	Terminal	Front power window motor LH connector	Terminal	Continuity
D15	14	D9	6	Yes

Is the inspection result normal?

YES >> Replace main power window and door lock/unlock switch. Refer to [PWC-133, "Removal and Installation"](#).

NO >> Repair or replace harness.

6. CHECK HARNESS CONTINUITY 3

1. Disconnect main power window and door lock/unlock switch.
2. Check continuity between main power window and door lock/unlock switch connector (A) and front power window motor LH connector (B).

Main power window and door lock/unlock switch connector	Terminal	Front power window motor LH connector	Terminal	Continuity
D15 (A)	9	D9 (B)	5	Yes
	13		3	

3. Check continuity between main power window and door lock/unlock switch connector (A) and ground.

Main power window and door lock/unlock switch connector	Terminal	Ground	Continuity
D15 (A)	9	Ground	No
	13		

Is the inspection result normal?

YES >> Replace front power window motor LH. Refer to [GW-18, "Removal and Installation"](#).

NO >> Repair or replace harness.

PASSENGER SIDE

PASSENGER SIDE : Description

INFOID:000000003788259

Detects condition of the front power window motor RH operation and transmits to power window and door lock/unlock switch RH as pulse signal.

PASSENGER SIDE : Component Function Check

INFOID:000000003788260

1. CHECK ENCODER OPERATION

Does front door glass RH perform AUTO open/close operation normally when operating power window and door lock/unlock switch RH?

Is the inspection result normal?

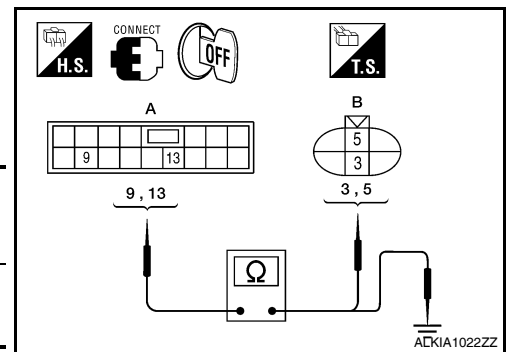
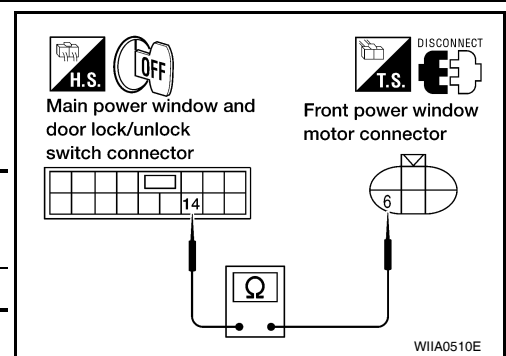
YES >> Encoder operation is OK.

NO >> Refer to [PWC-40, "PASSENGER SIDE : Diagnosis Procedure"](#).

PASSENGER SIDE : Diagnosis Procedure

INFOID:000000003788261

1. CHECK ENCODER SIGNAL

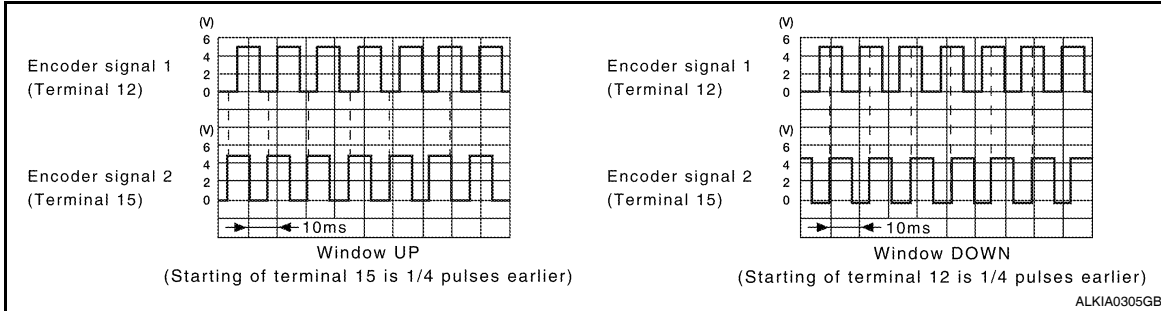
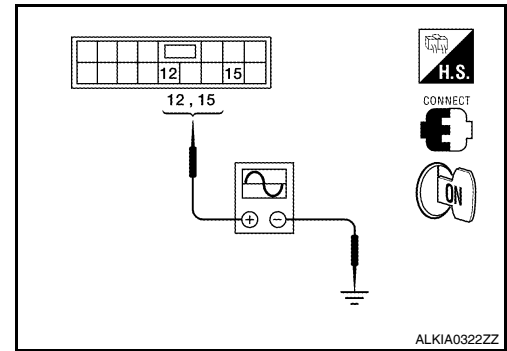


ENCODER CIRCUIT CHECK FRONT (KING CAB)

< COMPONENT DIAGNOSIS >

1. Turn ignition switch ON.
2. Check signal between power window and door lock/unlock switch RH connector and ground with oscilloscope.

Terminals			Signal (Reference value)
(+) Terminal		(-)	
Power window and door lock/unlock switch RH connector	Terminal		Refer to following signal
D105	12	Ground	
	15		



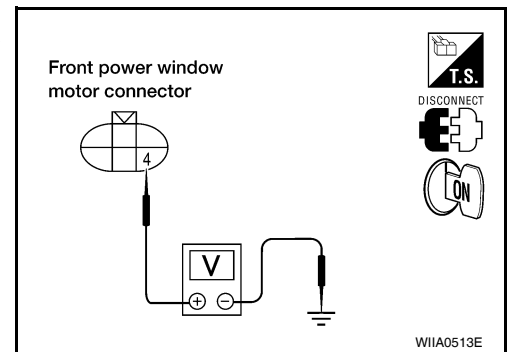
Is the inspection result normal?

- YES >> Check intermittent incident. Refer to [GI-38, "Intermittent Incident"](#).
 NO >> GO TO 2

2. CHECK FRONT POWER WINDOW MOTOR RH POWER SUPPLY

1. Disconnect front power window motor RH.
2. Check voltage between front power window motor RH connector and ground.

Terminal			Voltage (V) (Approx.)
(+) Terminal		(-)	
Front power window motor RH connector	Terminal		10
D105	4	Ground	



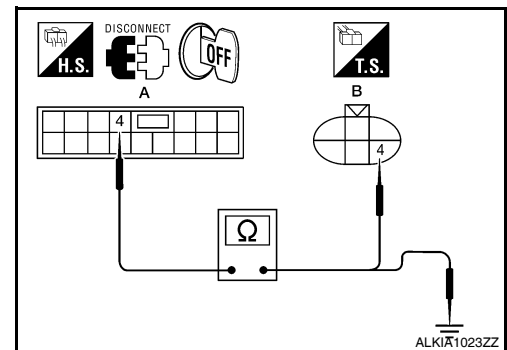
Is the measurement value within the specification?

- YES >> GO TO 4
 NO >> GO TO 3

3. CHECK HARNESS CONTINUITY 1

1. Turn ignition switch OFF.
2. Disconnect power window and door lock/unlock switch RH.
3. Check continuity between power window and door lock/unlock switch RH connector (A) and front power window motor RH connector (B).

Power window and door lock/unlock switch RH connector	Terminal	Front power window motor RH connector	Terminal	Continuity
D105 (A)	4	D104 (B)	4	Yes



4. Check continuity between power window and door lock/unlock switch RH connector (A) and ground.

ENCODER CIRCUIT CHECK FRONT (KING CAB)

< COMPONENT DIAGNOSIS >

Power window and door lock/unlock switch RH connector	Terminal	Ground	Continuity
D105 (A)	4		No

Is the inspection result normal?

YES >> Replace power window and door lock/unlock switch RH. Refer to [PWC-134. "Removal and Installation"](#).

NO >> Repair or replace harness.

4. CHECK GROUND CIRCUIT

- Turn ignition switch OFF.
- Check continuity between front power window motor RH connector and ground.

Front power window motor RH connector	Terminal	Ground	Continuity
D104	6		Yes

Is the inspection result normal?

YES >> GO TO 6

NO >> GO TO 5

5. CHECK HARNESS CONTINUITY 2

- Disconnect power window and door lock/unlock switch RH.
- Check continuity between power window and door lock/unlock switch RH connector and front power window motor RH connector.

Power window and door lock/unlock switch RH connector	Terminal	Front power window motor RH connector	Terminal	Continuity
D105	3	D104	6	Yes

Is the inspection result normal?

YES >> Replace power window and door lock/unlock switch RH. Refer to [PWC-134. "Removal and Installation"](#).

NO >> Repair or replace harness.

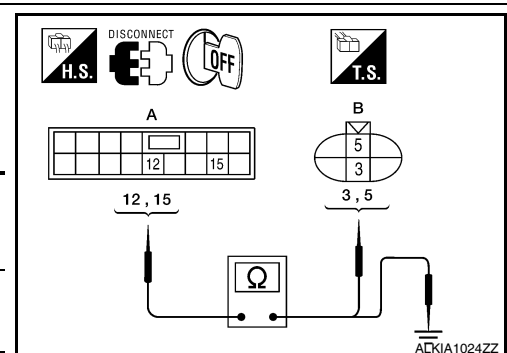
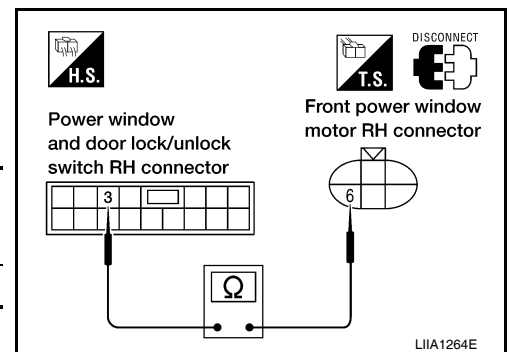
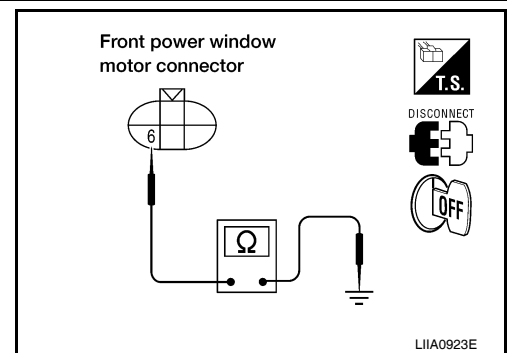
6. CHECK HARNESS CONTINUITY 3

- Disconnect power window and door lock/unlock switch RH.
- Check continuity between power window and door lock/unlock switch RH connector (A) and front power window motor RH connector (B).

Power window and door lock/unlock switch RH connector	Terminal	Front power window motor RH connector	Terminal	Continuity
D105 (A)	12	D104 (B)	3	Yes
	15		5	

- Check continuity between power window and door lock/unlock switch RH connector (A) and ground.

Power window and door lock/unlock switch RH connector	Terminal	Ground	Continuity
D105 (A)	12		No
	15		



ENCODER CIRCUIT CHECK FRONT (KING CAB)

< COMPONENT DIAGNOSIS >

Is the inspection result normal?

YES >> Replace front power window motor RH. Refer to [GW-18, "Removal and Installation"](#).

NO >> Repair or replace harness.

A

B

C

D

E

F

G

H

I

J

PWC

L

M

N

O

P

DOOR SWITCH

< COMPONENT DIAGNOSIS >

DOOR SWITCH

Description

INFOID:000000003788262

Detects door open/close condition and transmits the signal to BCM.

Component Function Check

INFOID:000000003788263

1. CHECK FRONT DOOR SWITCH INPUT SIGNAL

Check ("DOOR SW-DR" and "DOOR SW-AS") in "DATA MONITOR" mode with CONSULT-III. Refer to [BCS-24. "RETAINED PWR : CONSULT-III Function \(BCM - RETAINED PWR\)"](#).

Monitor item	Condition
DOOR SW-DR	OPEN : ON
	CLOSE : OFF
DOOR SW-AS	OPEN : ON
	CLOSE : OFF

Is the inspection result normal?

YES >> Front door switch circuit is OK.

NO >> Refer to [PWC-44. "Diagnosis Procedure \(Crew Cab\)"](#).

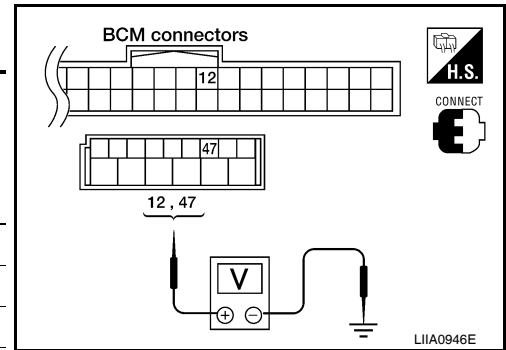
Diagnosis Procedure (Crew Cab)

INFOID:000000003788264

1. CHECK FRONT DOOR SWITCH

Check voltage between BCM connector and ground.

Terminals		Door condition	Voltage (V) (Approx.)
(+)	(-)		
BCM connector	Terminal		
M18	12	Front door RH	OPEN 0
			CLOSE Battery voltage
M19	47	Front door LH	OPEN 0
			CLOSE Battery voltage



Is the measurement value within the specification?

YES >> Replace BCM. Refer to [BCS-53. "Removal and Installation"](#).

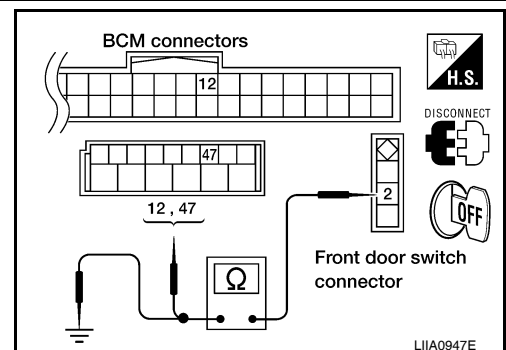
NO >> GO TO 2

2. CHECK HARNESS CONTINUITY

1. Turn ignition switch OFF.
2. Disconnect BCM and front door switch.
3. Check continuity between BCM connector and front door switch connector.

BCM connector	Terminal	Front door switch connector	Terminal	Continuity
M18	12	RH: B108	2	Yes
M19	47	LH: B8		

4. Check continuity between front door switch connector and ground.



DOOR SWITCH

< COMPONENT DIAGNOSIS >

Front door switch connector	Terminal	Ground	Continuity
B8 (LH)	2		Ground
B108 (RH)			

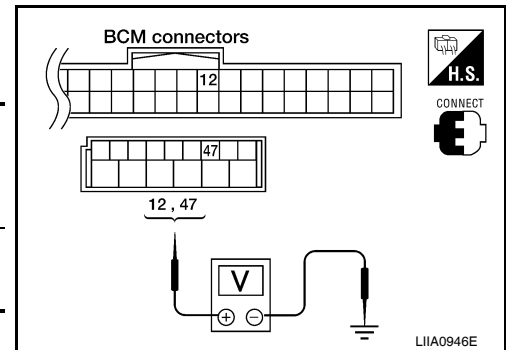
Is the inspection result normal?

- YES >> GO TO 3
 NO >> Repair or replace harness.

3. CHECK BCM OUTPUT SIGNAL

1. Connect BCM connector.
2. Check voltage between BCM connector and ground.

Terminal		Voltage (V) (Approx.)
(+)	(-)	
BCM connector	Terminal	Ground
M18	12	
M19	47	



Is the measurement value within the specification?

- YES >> GO TO 4
 NO >> Replace BCM. Refer to [BCS-53, "Removal and Installation"](#).

4. CHECK FRONT DOOR SWITCH

Check front door switch.
 Refer to [PWC-46, "Component Inspection \(Crew Cab\)"](#).

Is the inspection result normal?

- YES >> Check intermittent incident. Refer to [GI-38, "Intermittent Incident"](#).
 NO >> Replace front door switch.

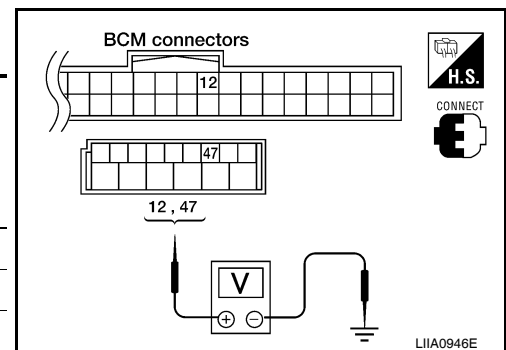
Diagnosis Procedure (King Cab)

INFOID:000000003788265

1. CHECK FRONT DOOR SWITCH

Check voltage between BCM connector and ground.

Terminals		Door condition	Voltage (V) (Approx.)
(+)	(-)		
BCM connector	Terminal	Ground	
M18	12		
M19	47		



Is the measurement value within the specification?

- YES >> Replace BCM. Refer to [BCS-53, "Removal and Installation"](#).
 NO >> GO TO 2

2. CHECK FRONT DOOR SWITCH GROUND CIRCUIT

A
B
C
D
E
F
G
H
I
J
L
M
N
O
P

PWC

DOOR SWITCH

< COMPONENT DIAGNOSIS >

1. Disconnect front door switch.
2. Check continuity between front door switch connector and ground.

Front door switch connector	Terminal	Ground	Continuity
B8 (LH)	3		Ground
B108 (RH)			

Is the inspection result normal?

- YES >> GO TO 3
 NO >> Repair or replace harness.

3. CHECK BCM OUTPUT SIGNAL

1. Connect BCM connector.
2. Check voltage between BCM connector and ground.

Terminal		Voltage (V) (Approx.)
(+)	(-)	
BCM connector	Terminal	Ground
M18	12	
M19	47	

Is the measurement value within the specification?

- YES >> GO TO 4
 NO >> Replace BCM. Refer to [BCS-53. "Removal and Installation"](#).

4. CHECK FRONT DOOR SWITCH

Check front door switch.

Refer to [PWC-46. "Component Inspection \(King Cab\)"](#).

Is the inspection result normal?

- YES >> Check intermittent incident. Refer to [GI-38. "Intermittent Incident"](#).
 NO >> Replace front door switch.

Component Inspection (Crew Cab)

INFOID:000000003788266

1. CHECK FRONT DOOR SWITCH

1. Turn ignition switch OFF.
2. Disconnect front door switch.
3. Check continuity between front door switch terminals.

Terminal		Condition	Continuity
Front door switch			
2	Ground part of door switch	Front door switch Pushed	No
		Released	Yes

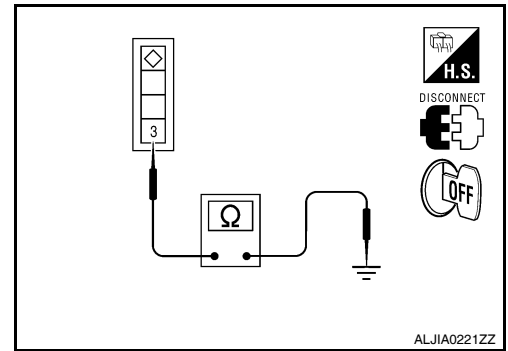
Is the inspection result normal?

- YES >> Inspection End.
 NO >> Replace front door switch.

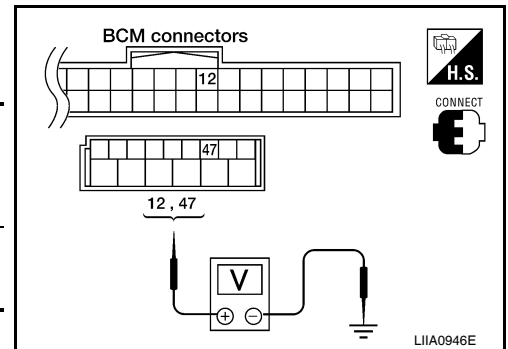
Component Inspection (King Cab)

INFOID:000000003788267

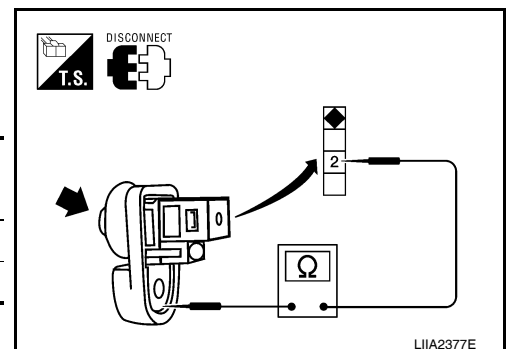
1. CHECK FRONT DOOR SWITCH



ALJIA0221ZZ



LIA0946E



LIA2377E

DOOR SWITCH

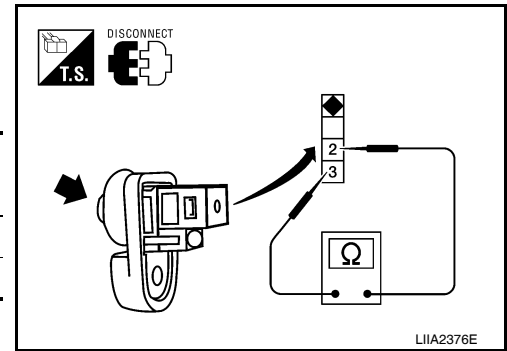
< COMPONENT DIAGNOSIS >

1. Turn ignition switch OFF.
2. Disconnect front door switch.
3. Check continuity between front door switch terminals.

Terminal		Condition	Continuity
Front door switch			
2	3	Pushed	No
		Released	Yes

Is the inspection result normal?

- YES >> Inspection End.
 NO >> Replace front door switch.



A
B
C
D
E
F
G
H
I
J
L
M
N
O
P

PWC

FRONT DOOR LOCK ASSEMBLY LH (KEY CYLINDER SWITCH) CHECK (CREW CAB)

< COMPONENT DIAGNOSIS >

FRONT DOOR LOCK ASSEMBLY LH (KEY CYLINDER SWITCH) CHECK (CREW CAB)

Description

INFOID:000000003788268

Main power window and door lock/unlock switch detects condition of the door key cylinder and transmits to BCM as the LOCK or UNLOCK signals.

Component Function Check

INFOID:000000003788269

1. CHECK DOOR KEY CYLINDER SWITCH INPUT SIGNAL

Check ("KEY CYL LK-SW", "KEY CYL UN-SW") in "DATA MONITOR" mode for "POWER DOOR LOCK SYSTEM" with CONSULT-III. Refer to [BCS-16. "DOOR LOCK : CONSULT-III Function \(BCM - DOOR LOCK\)"](#).

Monitor item	Condition
KEY CYL LK-SW	Lock : ON
	Neutral / Unlock : OFF
KEY CYL UN-SW	Unlock : ON
	Neutral / Lock : OFF

Is the inspection result normal?

- YES >> Key cylinder switch is OK.
 NO >> Refer to [PWC-48. "Diagnosis Procedure"](#).

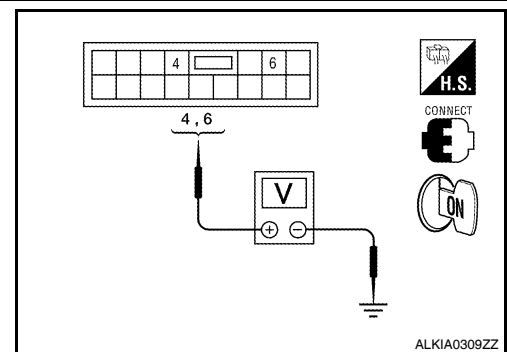
Diagnosis Procedure

INFOID:000000003788270

1. CHECK DOOR KEY CYLINDER SWITCH INPUT SIGNAL

- Turn ignition switch ON.
- Check voltage between main power window and door lock/unlock switch connector and ground.

Terminals		Key position	Voltage (V) (Approx.)
(+)	(-)		
Main power window and door lock/unlock switch connector	Terminal		
D7	4	Lock	0
		Neutral/Unlock	5
	6	Unlock	0
		Neutral/Lock	5



Is the measurement value within the specification?

- YES >> Replace main power window and door lock/unlock switch.
 NO >> GO TO 2

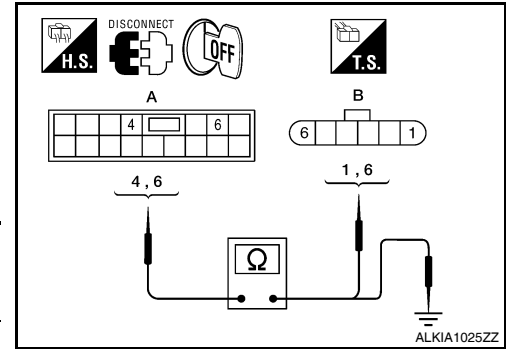
2. CHECK DOOR KEY CYLINDER SIGNAL CIRCUIT

FRONT DOOR LOCK ASSEMBLY LH (KEY CYLINDER SWITCH) CHECK (CREW CAB)

< COMPONENT DIAGNOSIS >

1. Turn ignition switch OFF.
2. Disconnect main power window and door lock/unlock switch and front door lock assembly LH (key cylinder switch).
3. Check continuity between main power window and door lock/unlock switch connector (A) and front door lock assembly LH (key cylinder switch) connector (B).

Main power window and door lock/unlock switch connector	Terminal	Front door lock assembly LH (key cylinder switch) connector	Terminal	Continuity
D7 (A)	4	D14 (B)	1	Yes
	6		6	



4. Check continuity between main power window and door lock/unlock switch connector (A) and ground.

Main power window and door lock/unlock switch connector	Terminal	Ground	Continuity
D7 (A)	4	Ground	No
	6		

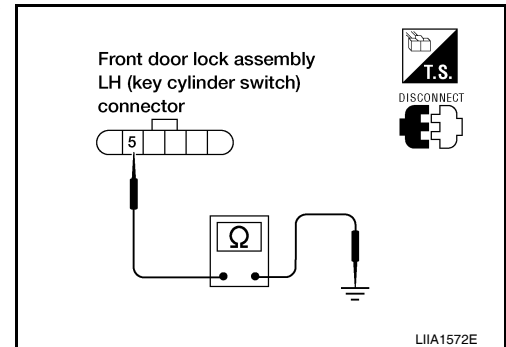
Is the inspection result normal?

- YES >> GO TO 3
 NO >> Repair or replace harness.

3. CHECK DOOR KEY CYLINDER SWITCH GROUND CIRCUIT

Check continuity between front door lock assembly LH (key cylinder switch) connector and ground.

Front door lock assembly LH (key cylinder switch) connector	Terminal	Ground	Continuity
D14	5	Ground	Yes



Is the inspection result normal?

- YES >> GO TO 4
 NO >> Repair or replace harness.

4. CHECK DOOR KEY CYLINDER SWITCH

Check door key cylinder switch.
 Refer to [PWC-49, "Component Inspection"](#).

Is the inspection result normal?

- YES >> Check intermittent incident. Refer to [GI-38, "Intermittent Incident"](#).
 NO >> Replace front door lock assembly LH (key cylinder switch).

Component Inspection

INFOID:000000003788271

COMPONENT INSPECTION

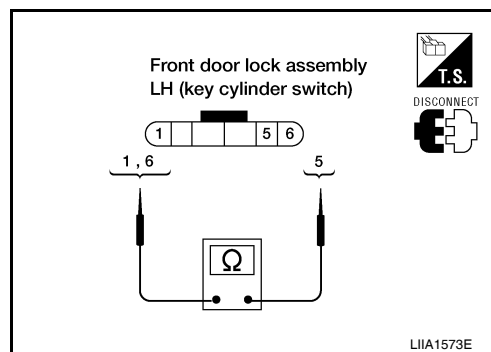
1. CHECK DOOR KEY CYLINDER SWITCH

FRONT DOOR LOCK ASSEMBLY LH (KEY CYLINDER SWITCH) CHECK (CREW CAB)

< COMPONENT DIAGNOSIS >

Check front door lock assembly LH (key cylinder switch).

Terminal		Key position	Continuity
Front door lock assembly LH (key cylinder switch) connector			
6	5	Unlock	Yes
		Neutral/Lock	No
1	5	Lock	Yes
		Neutral/Unlock	No



Is the inspection result normal?

YES >> Key cylinder switch is OK.

NO >> Replace front door lock assembly LH (key cylinder switch).

FRONT DOOR LOCK ASSEMBLY LH (KEY CYLINDER SWITCH) CHECK (KING CAB)

< COMPONENT DIAGNOSIS >

FRONT DOOR LOCK ASSEMBLY LH (KEY CYLINDER SWITCH) CHECK (KING CAB)

Description

INFOID:000000003788272

Main power window and door lock/unlock switch detects condition of the door key cylinder and transmits to BCM as the LOCK or UNLOCK signals.

Component Function Check

INFOID:000000003788273

1. CHECK DOOR KEY CYLINDER SWITCH INPUT SIGNAL

Check ("KEY CYL LK-SW", "KEY CYL UN-SW") in "DATA MONITOR" mode for "POWER DOOR LOCK SYSTEM" with CONSULT-III. Refer to [BCS-16, "DOOR LOCK : CONSULT-III Function \(BCM - DOOR LOCK\)"](#).

Monitor item	Condition
KEY CYL LK-SW	Lock : ON
	Neutral / Unlock : OFF
KEY CYL UN-SW	Unlock : ON
	Neutral / Lock : OFF

Is the inspection result normal?

- YES >> Key cylinder switch is OK.
- NO >> Refer to [PWC-51, "Diagnosis Procedure"](#).

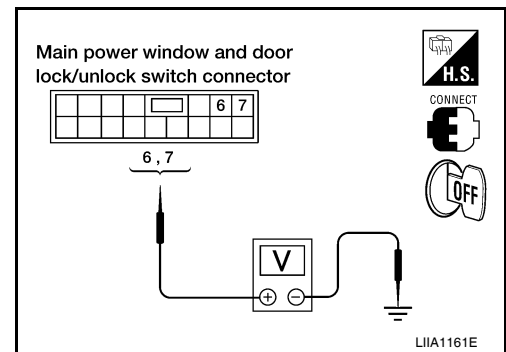
Diagnosis Procedure

INFOID:000000003788274

1. CHECK DOOR KEY CYLINDER SWITCH INPUT SIGNAL

1. Turn ignition switch ON.
2. Check voltage between main power window and door lock/unlock switch connector and ground.

Terminals		Key position	Voltage (V) (Approx.)
(+)	(-)		
Main power window and door lock/unlock switch connector	Terminal 6	Lock	0
		Neutral/Unlock	5
	Terminal 7	Unlock	0
		Neutral/Lock	5



Is the measurement value within the specification?

- YES >> Replace main power window and door lock/unlock switch.
- NO >> GO TO 2

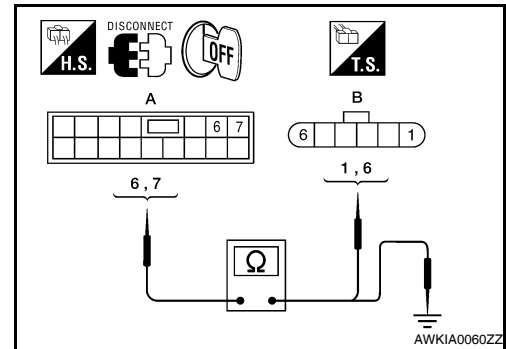
2. CHECK DOOR KEY CYLINDER SIGNAL CIRCUIT

FRONT DOOR LOCK ASSEMBLY LH (KEY CYLINDER SWITCH) CHECK (KING CAB)

< COMPONENT DIAGNOSIS >

1. Turn ignition switch OFF.
2. Disconnect main power window and door lock/unlock switch and front door lock assembly LH (key cylinder switch).
3. Check continuity between main power window and door lock/unlock switch connector (A) and front door lock assembly LH (key cylinder switch) connector (B).

Main power window and door lock/unlock switch connector	Terminal	Front door lock assembly LH (key cylinder switch) connector	Terminal	Continuity
D15 (A)	6	D14 (B)	1	Yes
	7		6	



4. Check continuity between main power window and door lock/unlock switch connector (A) and ground.

Main power window and door lock/unlock switch connector	Terminal	Ground	Continuity
D15 (A)	6	Ground	No
	7		

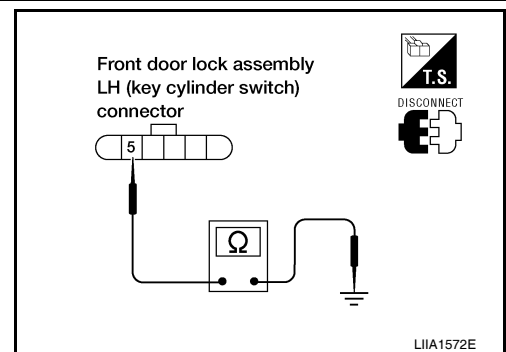
Is the inspection result normal?

- YES >> GO TO 3
 NO >> Repair or replace harness.

3. CHECK DOOR KEY CYLINDER SWITCH GROUND CIRCUIT

Check continuity between front door lock assembly LH (key cylinder switch) connector and ground.

Front door lock assembly LH (key cylinder switch) connector	Terminal	Ground	Continuity
D14	5	Ground	Yes



Is the inspection result normal?

- YES >> GO TO 4
 NO >> Repair or replace harness.

4. CHECK DOOR KEY CYLINDER SWITCH

Check door key cylinder switch.
 Refer to [PWC-52, "Component Inspection"](#).

Is the inspection result normal?

- YES >> Check intermittent incident. Refer to [GI-38, "Intermittent Incident"](#).
 NO >> Replace front door lock assembly LH (key cylinder switch).

Component Inspection

INFOID:000000003788275

COMPONENT INSPECTION

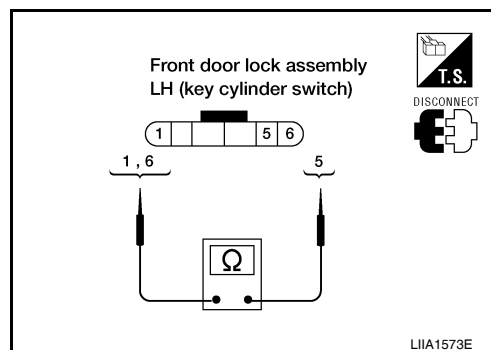
1. CHECK DOOR KEY CYLINDER SWITCH

FRONT DOOR LOCK ASSEMBLY LH (KEY CYLINDER SWITCH) CHECK (KING CAB)

< COMPONENT DIAGNOSIS >

Check front door lock assembly LH (key cylinder switch).

Terminal		Key position	Continuity
Front door lock assembly LH (key cylinder switch) connector			
6	5	Unlock	Yes
		Neutral/Lock	No
1	5	Lock	Yes
		Neutral/Unlock	No



Is the inspection result normal?

YES >> Key cylinder switch is OK.

NO >> Replace front door lock assembly LH (key cylinder switch).

A
B
C
D
E
F
G
H
I
J
L
M
N
O
P

PWC

POWER WINDOW SERIAL LINK

< COMPONENT DIAGNOSIS >

POWER WINDOW SERIAL LINK

POWER WINDOW MAIN SWITCH

POWER WINDOW MAIN SWITCH : Description

INFOID:000000003788276

Main power window and door lock/unlock switch, power window and door lock/unlock switch RH and BCM transmit and receive the signal by power window serial link.

The signal mentioned below is transmitted from BCM to main power window and door lock/unlock switch and power window and door lock/unlock switch RH

- Keyless power window down signal

The signal mentioned below is transmitted from main power window and door lock/unlock switch to power window and door lock/unlock switch RH

- Front door window RH operation signal
- Power window control by key cylinder switch signal
- Power window lock switch signal
- Retained power operation signal

POWER WINDOW MAIN SWITCH : Component Function Check

INFOID:000000003788277

1. CHECK MAIN POWER WINDOW AND DOOR LOCK/UNLOCK SWITCH OUTPUT SIGNAL

Check ("CDL LOCK SW", "CDL UNLOCK SW") in "DATA MONITOR" mode for "POWER DOOR LOCK SYSTEM" with CONSULT-III. Refer to [BCS-16, "DOOR LOCK : CONSULT-III Function \(BCM - DOOR LOCK\)"](#).

Monitor item	Condition
CDL LOCK SW	LOCK : ON
	UNLOCK : OFF
CDL UNLOCK SW	LOCK : OFF
	UNLOCK : ON

Is the inspection result normal?

YES >> Power window serial link is OK.

NO >> Refer to [PWC-54, "POWER WINDOW MAIN SWITCH : Diagnosis Procedure"](#).

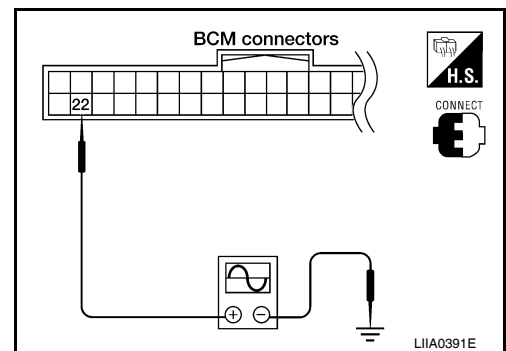
POWER WINDOW MAIN SWITCH : Diagnosis Procedure

INFOID:000000003788278

Power Window Serial Link Check

1. CHECK MAIN POWER WINDOW AND DOOR LOCK/UNLOCK SWITCH OUTPUT SIGNAL

1. Remove ignition key and close front door LH and RH.
2. Check signal between BCM connector and ground with oscilloscope when door lock and unlock switch (LH and RH) is turned to "LOCK" or "UNLOCK".
3. Check that signals which are shown in the figure below can be detected during 10 second just after door lock and unlock switch (LH and RH) is turned to "LOCK" or "UNLOCK".



POWER WINDOW SERIAL LINK

< COMPONENT DIAGNOSIS >

Terminal (+)		Terminal (-)	Signal (Reference value)
BCM connector	Terminal		
M18	22	Ground	<p style="text-align: right; font-size: small;">PIIA1297E</p>

Is the inspection result normal?

- YES >> Power window serial link is OK.
 NO >> GO TO 2

2. CHECK POWER WINDOW SERIAL LINK CIRCUIT

- Turn ignition switch OFF.
- Disconnect BCM and main power window and door lock/unlock switch.
- Check continuity between BCM connector (A) and main power window and door lock/unlock switch connector (B) (Crew Cab) or (C) (King Cab).

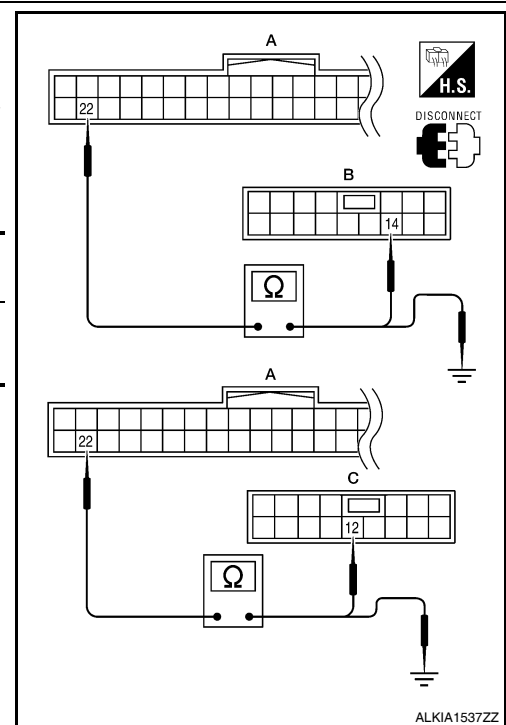
BCM connector	Terminal	Main power window and door lock/unlock switch connector	Terminal	Continuity
M18 (A)	22	D7 (B)	14	Yes
		D15 (C)	12	

- Check continuity between BCM connector (A) and ground.

BCM connector	Terminal	Ground	Continuity
M18 (A)	22		No

Is the inspection result normal?

- YES >> Replace main power window and door lock/unlock switch. Refer to [PWC-133, "Removal and Installation"](#).
 NO >> Repair or replace harness.



FRONT POWER WINDOW SWITCH

FRONT POWER WINDOW SWITCH : Description

INFOID:000000003788279

Main power window and door lock/unlock switch, power window and door lock/unlock switch RH and BCM transmit and receive the signal by power window serial link.

The signal mentioned below is transmitted from BCM to main power window and door lock/unlock switch and power window and door lock/unlock switch RH

- Keyless power window down signal

The signal mentioned below is transmitted from main power window and door lock/unlock switch to power window and door lock/unlock switch RH

- Front door window RH operation signal
- Power window control by key cylinder switch signal
- Retained power operation signal
- Power window lock switch signal

POWER WINDOW SERIAL LINK

< COMPONENT DIAGNOSIS >

FRONT POWER WINDOW SWITCH : Component Function Check

INFOID:000000003788280

1. CHECK POWER WINDOW AND DOOR LOCK/UNLOCK SWITCH RH OUTPUT SIGNAL

Check ("CDL LOCK SW", "CDL UNLOCK SW") in "DATA MONITOR" mode for "POWER DOOR LOCK SYSTEM" with CONSULT-III. Refer to [BCS-16. "DOOR LOCK : CONSULT-III Function \(BCM - DOOR LOCK\)"](#).

Monitor item	Condition
CDL LOCK SW	LOCK : ON
	UNLOCK : OFF
CDL UNLOCK SW	LOCK : OFF
	UNLOCK : ON

Is the inspection result normal?

YES >> Power window serial link is OK.

NO >> Refer to [PWC-56. "FRONT POWER WINDOW SWITCH : Diagnosis Procedure"](#).

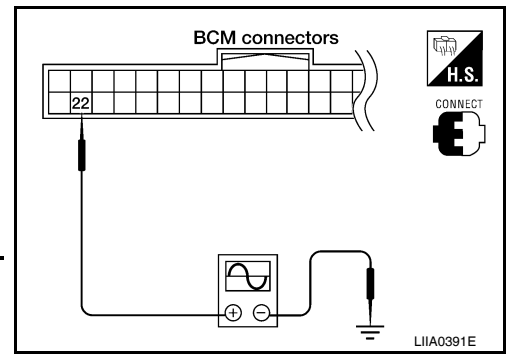
FRONT POWER WINDOW SWITCH : Diagnosis Procedure

INFOID:000000003788281

Power Window Serial Link Check

1. CHECK POWER WINDOW AND DOOR LOCK/UNLOCK SWITCH RH

1. Remove ignition key, and close the front door LH and RH.
2. Check signal between BCM connector and ground with oscilloscope when door lock and unlock switch (LH and RH) is turned to "LOCK" or "UNLOCK".
3. Check that signals which are shown in the figure below can be detected during 10 second just after door lock and unlock switch (LH and RH) is turned to "LOCK" or "UNLOCK".



Terminal (+)		Terminal (-)	Signal (Reference value)
BCM connector	Terminal		
M18	22	Ground	<p>PIIA1297E</p>

Is the inspection result normal?

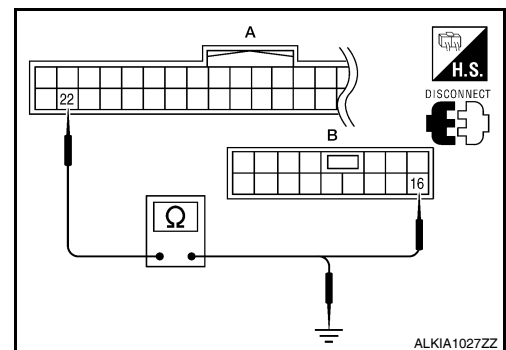
YES >> Power window serial link is OK.

NO >> GO TO 2

2. CHECK POWER WINDOW SERIAL LINK CIRCUIT

1. Turn ignition switch OFF.
2. Disconnect BCM.
3. Check continuity between BCM connector (A) and power window and door lock/unlock switch RH connector (B).

BCM connector	Terminal	Power window and door lock/unlock switch RH connector	Terminal	Continuity
M18 (A)	22	D105 (B)	16	Yes



POWER WINDOW SERIAL LINK

< COMPONENT DIAGNOSIS >

4. Check continuity between BCM connector (A) and ground.

BCM connector	Terminal	Ground	Continuity
M18 (A)	22		No

Is the inspection result normal?

- YES >> Replace main power window and door lock/unlock switch. Refer to [PWC-133, "Removal and Installation"](#).
- NO >> Repair or replace harness.

A
B
C
D
E
F
G
H
I
J
L
M
N
O
P

PWC

POWER WINDOW LOCK SWITCH

< COMPONENT DIAGNOSIS >

POWER WINDOW LOCK SWITCH

Description

INFOID:000000003788282

Ground circuit of main power window and door lock/unlock switch shuts off if power window lock switch of main power window and door lock/unlock switch is operated. This inhibits all operation, except for the main switch.

Component Function Check

INFOID:000000003788283

1. CHECK POWER WINDOW LOCK SIGNAL

Exchanges for a normal main power window and door lock/unlock switch, and operation is checked.

Does power window lock operate?

- YES >> Replace main power window and door lock/unlock switch. Refer to [PWC-133, "Removal and Installation"](#).
- NO >> Check condition of harness and connector.

REAR POWER DROP GLASS CIRCUIT CHECK

< COMPONENT DIAGNOSIS >

REAR POWER DROP GLASS CIRCUIT CHECK

Rear Power Drop Glass Circuit Inspection

INFOID:000000003788284

1. CHECK REAR POWER DROP GLASS SWITCH OPERATION

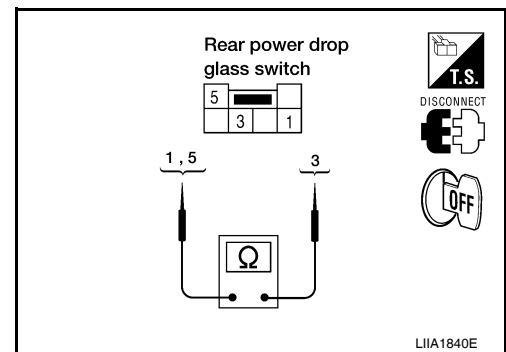
1. Turn ignition switch OFF.
2. Disconnect rear power drop glass switch.
3. Check continuity between rear power drop glass switch terminals 1, 3 and 5.

Terminal	Condition	Continuity	
3	5	Rear power drop glass switch is pressed DOWN	Yes
	1	Rear power drop glass switch is pressed UP	Yes

Is the inspection result normal?

YES >> GO TO 2

NO >> Replace rear power drop glass switch. Refer to [PWC-135, "Removal and Installation - Power Drop Glass Switch"](#).



2. CHECK REAR POWER DROP GLASS SWITCH GROUND CIRCUIT HARNESS CONTINUITY

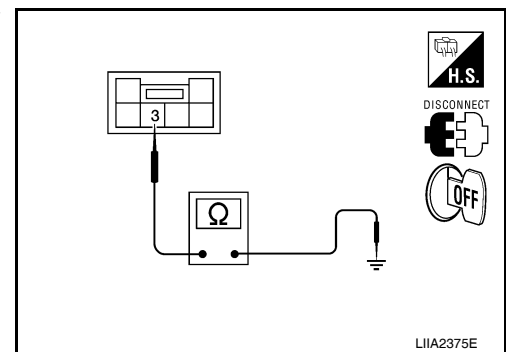
Check continuity between rear power drop glass switch connector R103 terminal 3 and ground.

3 - Ground : Continuity should exist.

Is the inspection result normal?

YES >> GO TO 3

NO >> Repair or replace harness.



3. CHECK REAR POWER DROP GLASS SIGNAL

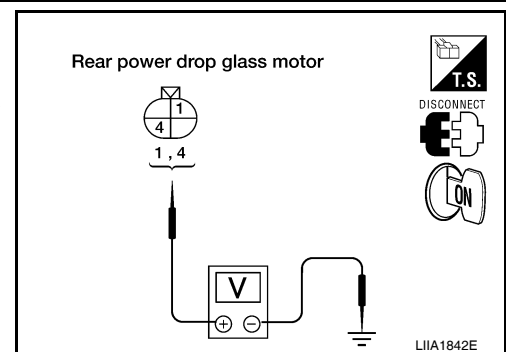
1. Connect rear power drop glass switch.
2. Disconnect rear power drop glass motor.
3. Turn ignition switch ON.
4. Check voltage between rear power drop glass motor connector B80 terminals 1, 4 and ground.

Connector	Terminals		Condition	Voltage (V) (Approx.)
	(+)	(-)		
B80	1	Ground	Up	Battery voltage
			Down	0
	4		Up	0
			Down	Battery voltage

Is the inspection result normal?

YES >> Replace rear power drop glass motor. Refer to [GW-13, "Removal and Installation"](#).

NO >> Repair or replace harness.



A
B
C
D
E
F
G
H
I
J
K
L
M
N
O
P

PWC

REAR POWER DROP GLASS DOWN RELAY CHECK

< COMPONENT DIAGNOSIS >

REAR POWER DROP GLASS DOWN RELAY CHECK

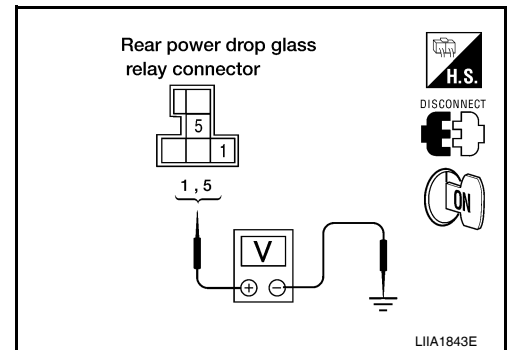
Rear Power Drop Glass Down Relay Check

INFOID:000000003788285

1. CHECK REAR POWER DROP GLASS UP RELAY POWER SUPPLY CIRCUIT

1. Turn ignition switch OFF.
2. Disconnect rear power drop glass down relay.
3. Turn ignition switch ON.
4. Check voltage between rear power drop glass down relay connector and ground.

Connector	Terminals		Voltage (V) (Approx.)
	(+)	(-)	
M155	1	Ground	Battery voltage
	5		



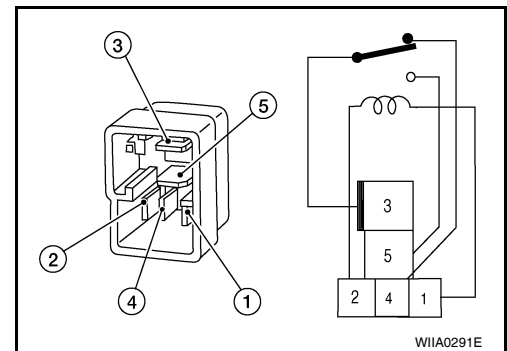
Is the inspection result normal?

- YES >> GO TO 2
 NO >> Repair or replace harness.

2. CHECK REAR POWER DROP GLASS DOWN RELAY

Check continuity between rear power drop glass down relay terminals 3 and 4, 3 and 5.

Terminal	Condition	Continuity
3	12V direct current supply between terminals 1 and 2	No
		Yes
	12V direct current supply between terminals 1 and 2	Yes
		No



Is the inspection result normal?

- YES >> GO TO 3
 NO >> Replace rear power drop glass down relay.

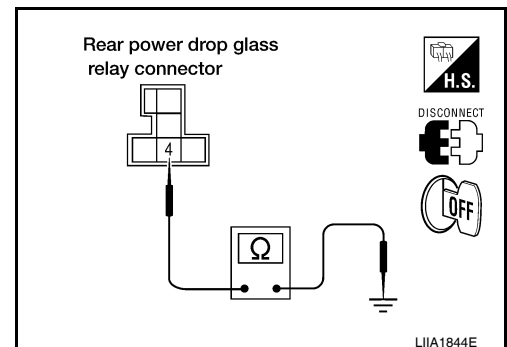
3. CHECK REAR POWER DROP GLASS DOWN RELAY GROUND CIRCUIT

Check continuity between rear power drop glass down relay connector M155 terminal 4 and ground.

4 - Ground : Continuity should exist.

Is the inspection result normal?

- YES >> GO TO 4
 NO >> Repair or replace harness.



4. CHECK REAR POWER DROP GLASS DOWN RELAY CIRCUIT

REAR POWER DROP GLASS DOWN RELAY CHECK

< COMPONENT DIAGNOSIS >

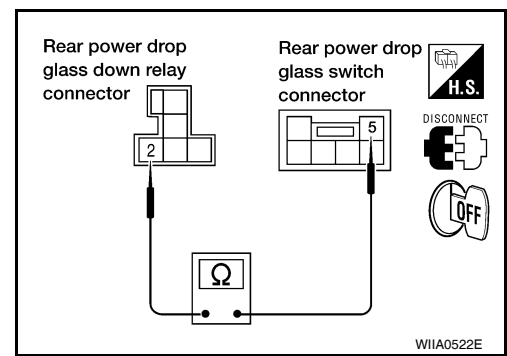
1. Disconnect rear power drop glass switch.
2. Check continuity between rear power drop glass down relay connector M155 terminal 2 and rear power drop glass switch connector R103 terminal 5.

2 - 5

: Continuity should exist.

Is the inspection result normal?

- YES >> Replace rear power drop glass switch. Refer to [PWC-135, "Removal and Installation - Power Drop Glass Switch"](#).
- NO >> Repair or replace harness.



A
B
C
D
E
F
G
H
I
J
L
M
N
O
P

PWC

REAR POWER DROP GLASS UP RELAY CHECK

< COMPONENT DIAGNOSIS >

REAR POWER DROP GLASS UP RELAY CHECK

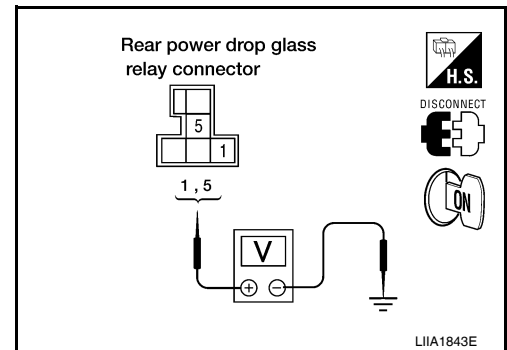
Rear Power Drop Glass Up Relay Check

INFOID:000000003788286

1. CHECK REAR POWER DROP GLASS UP RELAY POWER SUPPLY CIRCUIT

1. Turn ignition switch OFF.
2. Disconnect rear power drop glass up relay.
3. Turn ignition switch ON.
4. Check voltage between rear power drop glass up relay connector and ground.

Connector	Terminals		Voltage (V) (Approx.)
	(+)	(-)	
M154	1	Ground	Battery voltage
	5		



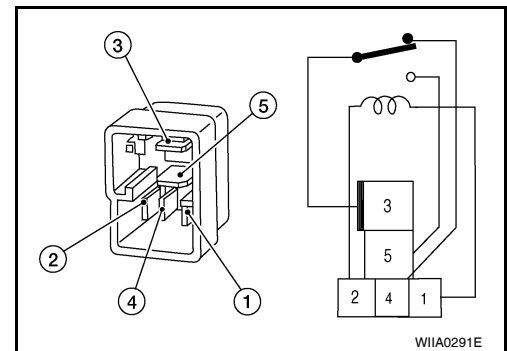
Is the inspection result normal?

- YES >> GO TO 2
 NO >> Repair or replace harness.

2. CHECK REAR POWER DROP GLASS UP RELAY

Check continuity between rear power drop glass down relay terminals 3 and 4, 3 and 5.

Terminal	Condition	Continuity	
3	4	12V direct current supply between terminals 1 and 2	No
		No current supply	Yes
	5	12V direct current supply between terminals 1 and 2	Yes
		No current supply	No



Is the inspection result normal?

- YES >> GO TO 3
 NO >> Replace rear power drop glass up relay.

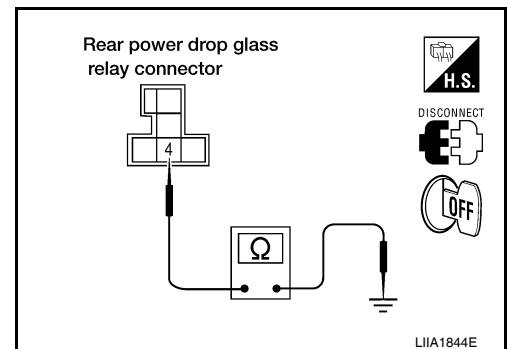
3. CHECK REAR POWER DROP GLASS UP RELAY GROUND CIRCUIT

Check continuity between rear power drop glass up relay connector M154 terminal 4 and ground.

4 - Ground : Continuity should exist.

Is the inspection result normal?

- YES >> GO TO 4
 NO >> Repair or replace harness.



4. CHECK REAR POWER DROP GLASS UP RELAY CIRCUIT

REAR POWER DROP GLASS UP RELAY CHECK

< COMPONENT DIAGNOSIS >

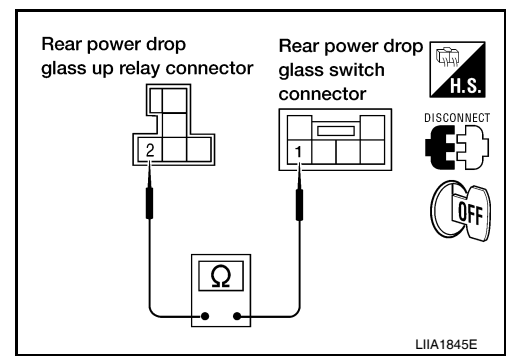
1. Disconnect rear power drop glass switch.
2. Check continuity between rear power drop glass up relay connector M154 terminal 2 and rear power drop glass switch connector R103 terminal 1.

2 - 1

: Continuity should exist.

Is the inspection result normal?

- YES >> Replace rear power drop glass switch. Refer to [PWC-135, "Removal and Installation - Power Drop Glass Switch"](#).
- NO >> Repair or replace harness.



A
B
C
D
E
F
G
H
I
J
L
M
N
O
P

PWC

BCM (BODY CONTROL MODULE)

< ECU DIAGNOSIS >

ECU DIAGNOSIS

BCM (BODY CONTROL MODULE)

Reference Value

INFOID:000000004160644

VALUES ON THE DIAGNOSIS TOOL

Monitor Item	Condition	Value/Status
AIR COND SW	A/C switch OFF	OFF
	A/C switch ON	ON
AUT LIGHT SYS	Outside of the room is dark	OFF
	Outside of the room is bright	ON
AUTO LIGHT SW	Lighting switch OFF	OFF
	Lighting switch AUTO	ON
CDL LOCK SW	Door lock/unlock switch does not operate	OFF
	Press door lock/unlock switch to the LOCK side	ON
CDL UNLOCK SW	Door lock/unlock switch does not operate	OFF
	Press door lock/unlock switch to the UNLOCK side	ON
DOOR SW-AS	Front door RH closed	OFF
	Front door RH opened	ON
DOOR SW-DR	Front door LH closed	OFF
	Front door LH opened	ON
DOOR SW-RL	Rear door LH closed	OFF
	Rear door LH opened	ON
DOOR SW-RR	Rear door RH closed	OFF
	Rear door RH opened	ON
ENGINE RUN	Engine stopped	OFF
	Engine running	ON
FR FOG SW	Front fog lamp switch OFF	OFF
	Front fog lamp switch ON	ON
FR WASHER SW	Front washer switch OFF	OFF
	Front washer switch ON	ON
FR WIPER LOW	Front wiper switch OFF	OFF
	Front wiper switch LO	ON
FR WIPER HI	Front wiper switch OFF	OFF
	Front wiper switch HI	ON
FR WIPER INT	Front wiper switch OFF	OFF
	Front wiper switch INT	ON
FR WIPER STOP	Any position other than front wiper stop position	OFF
	Front wiper stop position	ON
HAZARD SW	When hazard switch is not pressed	OFF
	When hazard switch is pressed	ON
LIGHT SW 1ST	Lighting switch OFF	OFF
	Lighting switch 1st	ON
HEADLAMP SW1	Headlamp switch OFF	OFF
	Headlamp switch 1st	ON

BCM (BODY CONTROL MODULE)

< ECU DIAGNOSIS >

Monitor Item	Condition	Value/Status
HEADLAMP SW2	Headlamp switch OFF	OFF
	Headlamp switch 1st	ON
HI BEAM SW	High beam switch OFF	OFF
	High beam switch HI	ON
H/L WASH SW	NOTE: The item is indicated, but not monitored	OFF
IGN ON SW	Ignition switch OFF or ACC	OFF
	Ignition switch ON	ON
IGN SW CAN	Ignition switch OFF or ACC	OFF
	Ignition switch ON	ON
INT VOLUME	Wiper intermittent dial is in a dial position 1 - 7	1 - 7
KEY ON SW	Key is removed from key cylinder	OFF
	Key is inserted to key cylinder	ON
KEYLESS LOCK	LOCK button of key fob is not pressed	OFF
	LOCK button of key fob is pressed	ON
KEYLESS UNLOCK	UNLOCK button of key fob is not pressed	OFF
	UNLOCK button of key fob is pressed	ON
OIL PRESS SW	<ul style="list-style-type: none"> • Ignition switch OFF or ACC • Engine running 	OFF
	Ignition switch ON	ON
PASSING SW	Other than lighting switch PASS	OFF
	Lighting switch PASS	ON
REAR DEF SW	Rear window defogger switch OFF	OFF
	Rear window defogger switch ON	ON
RKE LOCK AND UN-LOCK	NOTE: The item is indicated, but not monitored	OFF
		ON
TAIL LAMP SW	Lighting switch OFF	OFF
	Lighting switch 1ST	ON
TURN SIGNAL L	Turn signal switch OFF	OFF
	Turn signal switch LH	ON
TURN SIGNAL R	Turn signal switch OFF	OFF
	Turn signal switch RH	ON
VEHICLE SPEED	While driving	Equivalent to speedometer reading

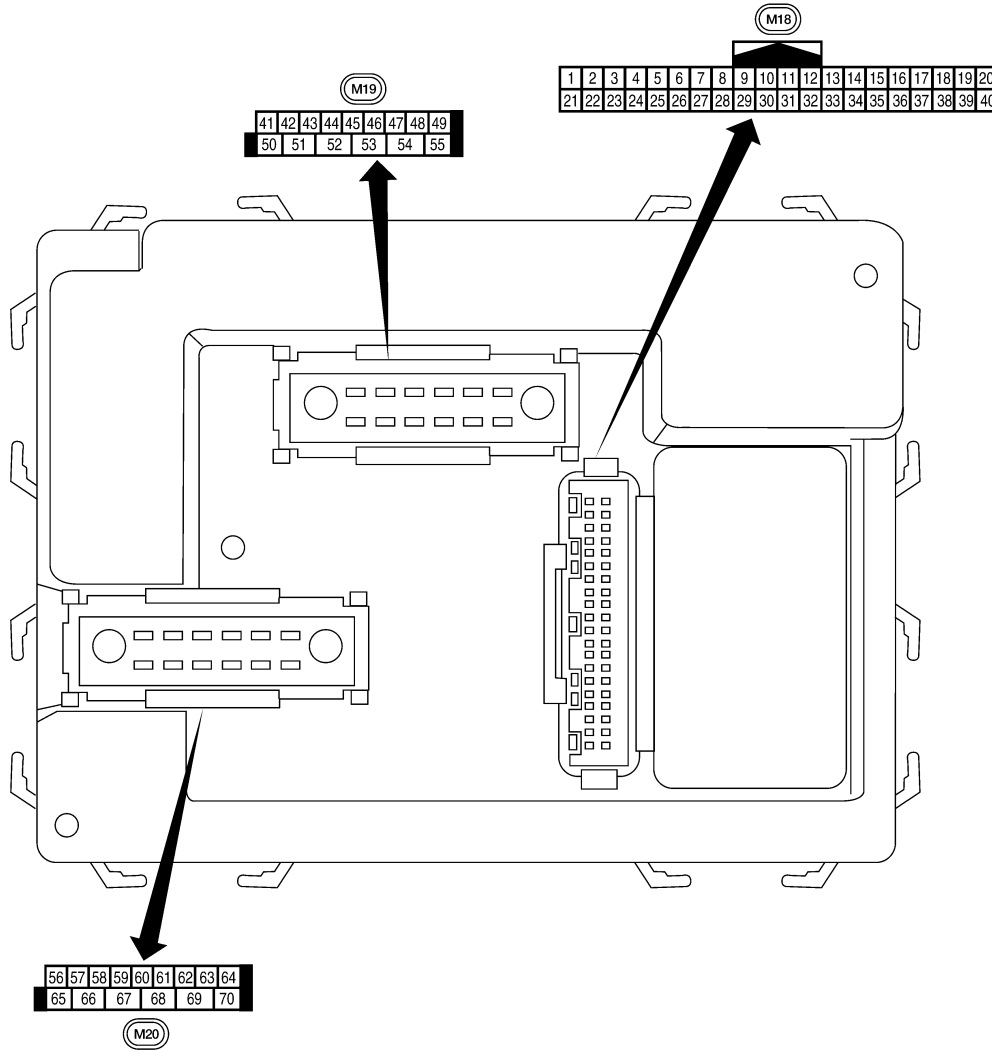
A
B
C
D
E
F
G
H
I
J
PWC
L
M
N
O
P

BCM (BODY CONTROL MODULE)

< ECU DIAGNOSIS >

Terminal Layout

INFOID:000000004160645




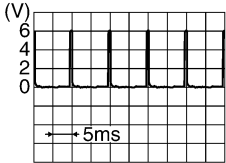

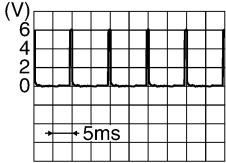
Physical Values

LIA2443E

INFOID:000000004160646

BCM (BODY CONTROL MODULE)

< ECU DIAGNOSIS >

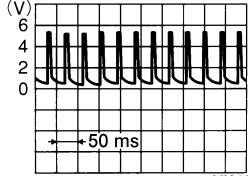
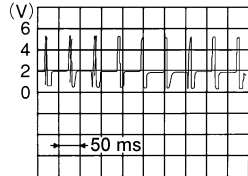
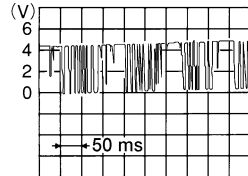
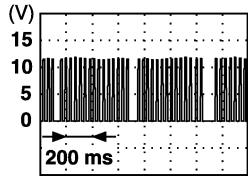
Terminal	Wire color	Signal name	Signal input/output	Measuring condition		Reference value or waveform (Approx.)
				Ignition switch	Operation or condition	
1	BR/W	Ignition keyhole illumination	Output	OFF	Door is locked (SW OFF)	Battery voltage
					Door is unlocked (SW OFF)	0V
2	SB	Combination switch input 5	Input	ON	Lighting, turn, wiper OFF Wiper dial position 4	 <p style="text-align: right; font-size: small;">SKIA5291E</p>
3	G/Y	Combination switch input 4	Input	ON	Lighting, turn, wiper OFF Wiper dial position 4	 <p style="text-align: right; font-size: small;">SKIA5292E</p>
4	Y	Combination switch input 3	Input	ON	Lighting, turn, wiper OFF Wiper dial position 4	 <p style="text-align: right; font-size: small;">SKIA5291E</p>
5	G/B	Combination switch input 2	Input	ON	Lighting, turn, wiper OFF Wiper dial position 4	 <p style="text-align: right; font-size: small;">SKIA5292E</p>
6	V	Combination switch input 1				
9	Y/B	Rear window defogger switch (Crew Cab)	Input	ON	Rear window defogger switch ON	0V
					Rear window defogger switch OFF	5V
11	O	Ignition switch (ACC or ON)	Input	ACC or ON	Ignition switch ACC or ON	Battery voltage
12	R/L	Front door switch RH (All)	Input	OFF	ON (open)	0V
		Rear door switch lower RH (King Cab)			OFF (closed)	Battery voltage
		Rear door switch upper RH (King Cab)				
13	GR	Rear door switch RH (Crew Cab)	Input	OFF	ON (open)	0V
					OFF (closed)	Battery voltage
15	L/W	Tire pressure warning check connector	Input	OFF	—	5V

A
B
C
D
E
F
G
H
I
J
L
M
N
O
P

PWC

BCM (BODY CONTROL MODULE)

< ECU DIAGNOSIS >

Terminal	Wire color	Signal name	Signal input/output	Measuring condition		Reference value or waveform (Approx.)
				Ignition switch	Operation or condition	
18	P	Remote keyless entry receiver and optical sensor (ground)	Output	OFF	—	0V
19	V/W	Remote keyless entry receiver (power supply)	Output	OFF	Ignition switch OFF	 LIIA1893E
20	G/W	Remote keyless entry receiver (signal)	Input	OFF	Stand-by (keyfob buttons released)	 LIIA1894E
					When remote keyless entry receiver receives signal from keyfob (keyfob buttons pressed)	 LIIA1895E
21	G	NATS antenna amp.	Input	OFF → ON	Ignition switch (OFF → ON)	Just after turning ignition switch ON: Pointer of tester should move for approx. 1 second, then return to battery voltage.
22	G	BUS	—	—	Ignition switch ON or power window timer operates	 PIIA2344E
23	G/O	Security indicator lamp	Output	OFF	Goes OFF → illuminates (Every 2.4 seconds)	Battery voltage → 0V
25	BR	NATS antenna amp.	Input	OFF → ON	Ignition switch (OFF → ON)	Just after turning ignition switch ON: Pointer of tester should move for approx. 1 second, then return to battery voltage.
27	W/R	Compressor ON signal	Input	ON	A/C switch OFF	5V
					A/C switch ON	0V
28	L/R	Front blower monitor	Input	ON	Front blower motor OFF	Battery voltage
					Front blower motor ON	0V
29	W/B	Hazard switch	Input	OFF	ON	0V
					OFF	5V
31	P/L	Cargo lamp switch	Input	OFF	Cargo lamp switch ON	0
					Cargo lamp switch OFF	Battery voltage

BCM (BODY CONTROL MODULE)

< ECU DIAGNOSIS >

Terminal	Wire color	Signal name	Signal input/output	Measuring condition		Reference value or waveform (Approx.)
				Ignition switch	Operation or condition	
32	R/G	Combination switch output 5	Output	ON	Lighting, turn, wiper OFF Wiper dial position 4	<p style="text-align: right; font-size: small;">SKIA5291E</p>
33	R/Y	Combination switch output 4	Output	ON	Lighting, turn, wiper OFF Wiper dial position 4	<p style="text-align: right; font-size: small;">SKIA5292E</p>
34	L	Combination switch output 3	Output	ON	Lighting, turn, wiper OFF Wiper dial position 4	<p style="text-align: right; font-size: small;">SKIA5291E</p>
35	O/B	Combination switch output 2	Output	ON	Lighting, turn, wiper OFF Wiper dial position 4	<p style="text-align: right; font-size: small;">SKIA5292E</p>
36	R/W	Combination switch output 1				
37	B/R	Key switch and key lock solenoid	Input	OFF	Key inserted	Battery voltage
					Key inserted	0V
38	W/L	Ignition switch (ON)	Input	ON	—	Battery voltage
39	L	CAN-H	—	—	—	—
40	P	CAN-L	—	—	—	—
47	SB	Front door switch LH (All)	Input	OFF	ON (open)	0V
		Rear door switch lower LH (King Cab)			OFF (closed)	Battery voltage
48	R/Y	Rear door switch LH (Crew Cab)	Input	OFF	ON (open)	0V
					OFF (closed)	Battery voltage
50	R/Y	Cargo bed lamp control	Output	OFF	Cargo lamp switch (ON)	0V
					Cargo lamp switch (OFF)	Battery voltage

A
B
C
D
E
F
G
H
I
J
L
M
N
O
P

PWC

BCM (BODY CONTROL MODULE)

< ECU DIAGNOSIS >

Terminal	Wire color	Signal name	Signal input/output	Measuring condition		Reference value or waveform (Approx.)
				Ignition switch	Operation or condition	
51	G/Y	Trailer turn signal (right)	Output	ON	Turn right ON	 SKIA3009J
52	G/B	Trailer turn signal (left)	Output	ON	Turn left ON	 SKIA3009J
56	R/G	Battery saver output	Output	OFF	30 minutes after ignition switch is turned OFF	0V
				ON	—	Battery voltage
57	Y/R	Battery power supply	Input	OFF	—	Battery voltage
58	W/R	Optical sensor	Input	ON	When optical sensor is illuminated	3.1V or more
					When optical sensor is not illuminated	0.6V or less
59	G	Front door lock assembly LH actuator (unlock)	Output	OFF	OFF (neutral)	0V
					ON (unlock)	Battery voltage
60	G/B	Turn signal (left)	Output	ON	Turn left ON	 SKIA3009J
61	G/Y	Turn signal (right)	Output	ON	Turn right ON	 SKIA3009J
62	R/W	Step lamp LH and RH	Output	OFF	ON (any door open)	0V
					OFF (all doors closed)	Battery voltage
63	L	Interior room/map lamp	Output	OFF	Any door switch ON (open)	0V
					OFF (closed)	Battery voltage
65	V	All door lock actuators (lock)	Output	OFF	OFF (neutral)	0V
					ON (lock)	Battery voltage
66	G/Y	Front door lock actuator RH and rear door lock actuators LH/RH (unlock)	Output	OFF	OFF (neutral)	0V
					ON (unlock)	Battery voltage

BCM (BODY CONTROL MODULE)

< ECU DIAGNOSIS >

Terminal	Wire color	Signal name	Signal input/output	Measuring condition		Reference value or waveform (Approx.)
				Ignition switch	Operation or condition	
67	B	Ground	Input	ON	—	0V
68	W/L	Power window power supply (RAP)	Output	—	Ignition switch ON	Battery voltage
					Within 45 seconds after ignition switch OFF	Battery voltage
					More than 45 seconds after ignition switch OFF	0V
					When front door LH or RH is open or power window timer operates	0V
69	W/R	Power window power supply	Output	—	—	Battery voltage
70	W/B	Battery power supply	Input	OFF	—	Battery voltage

A
B
C
D
E
F
G
H
I
J
L
M
N
O
P

PWC

BCM (BODY CONTROL MODULE)

< ECU DIAGNOSIS >

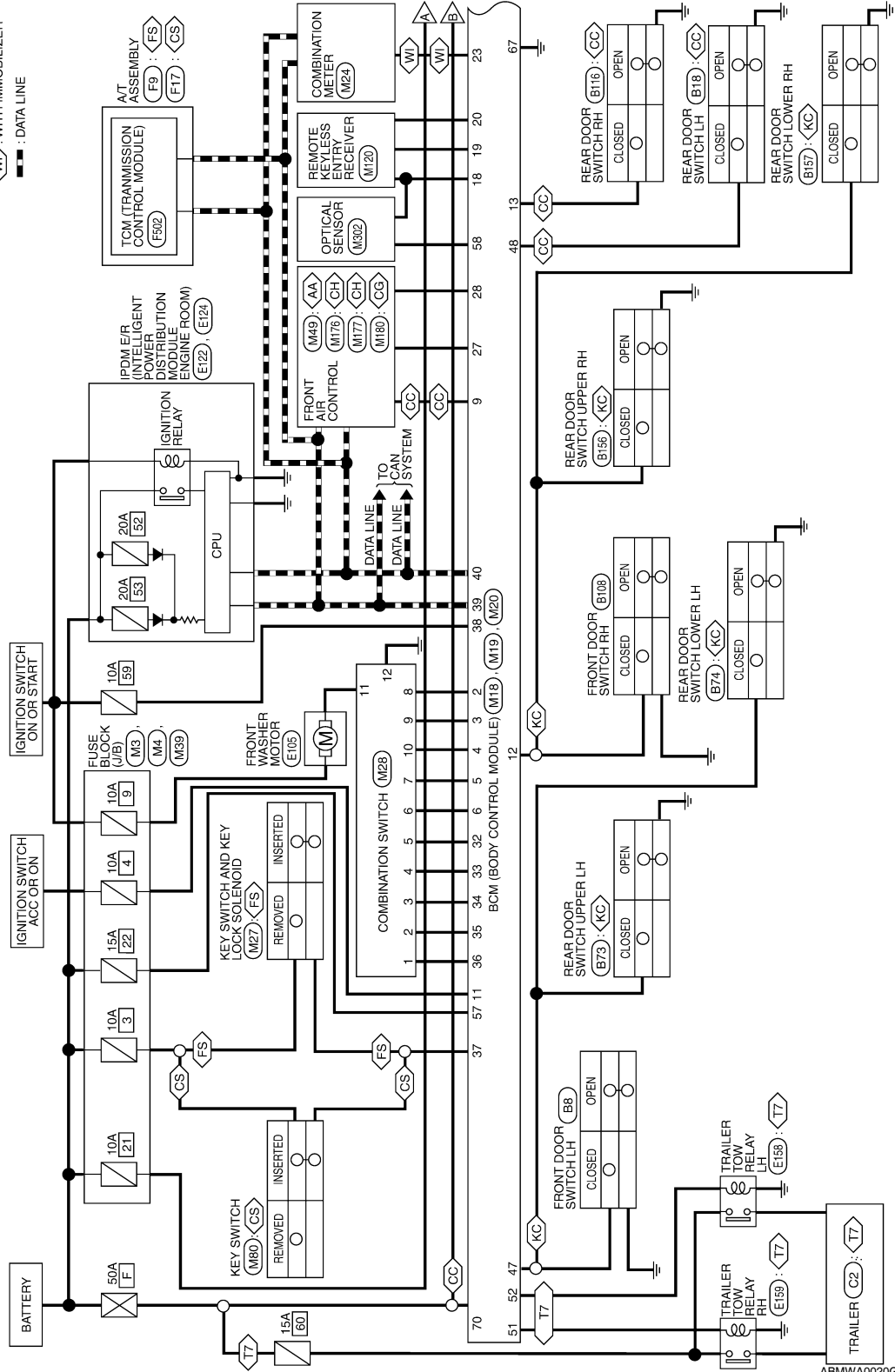
Wiring Diagram

INFOID:000000004160647

BCM (BODY CONTROL MODULE)

- : COLUMN SHIFT
- : FLOOR SHIFT
- : KING CAB
- : TRAILER TOW 7 PIN
- : WITH IMMOBILIZER
- : DATA LINE

- : WITH AUTO A/C
- : CREW CAB
- : WITH MANUAL 2 CONTROL DIAL SYSTEM
- : WITH MANUAL 3 CONTROL DIAL SYSTEM

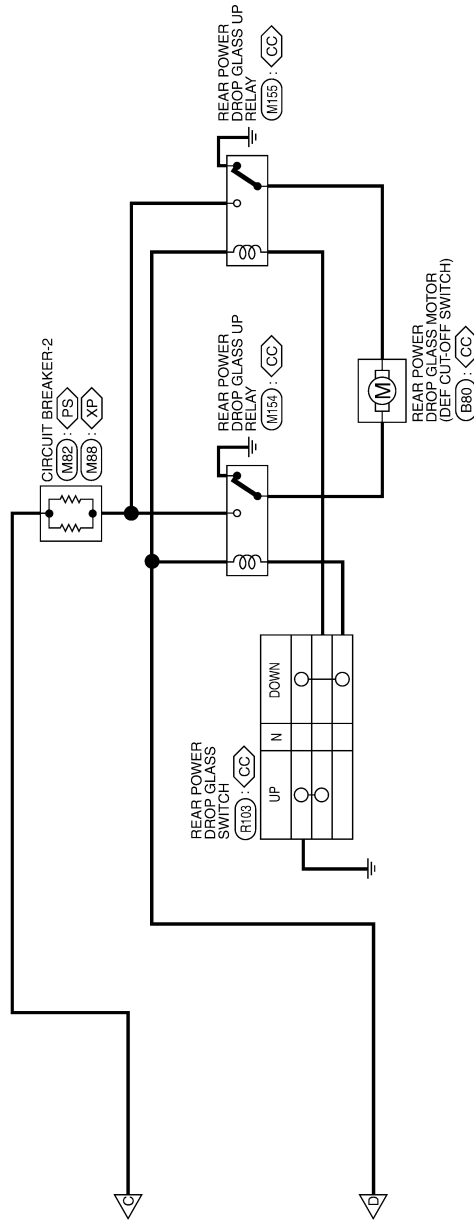


ABMWA0020G1

BCM (BODY CONTROL MODULE)

< ECU DIAGNOSIS >

CC : CREW CAB
PS : WITH POWER SEAT
XP : WITHOUT POWER SEAT



ABMWA0022GI

BCM (BODY CONTROL MODULE)

< ECU DIAGNOSIS >

BCM (BODY CONTROL MODULE) CONNECTORS

Connector No.	M18
Connector Name	BCM (BODY CONTROL MODULE)
Connector Color	WHITE



1	2	3	4	5	6	7	8	9	10	11	12	13	14	15	16	17	18	19	20
21	22	23	24	25	26	27	28	29	30	31	32	33	34	35	36	37	38	39	40

Terminal No.	Color of Wire	Signal Name
1	BR/W	KEY RING OUTPUT
2	SB	INPUT 5
3	G/Y	INPUT 4
4	Y	INPUT 3
5	G/B	INPUT 2
6	V	INPUT 1
7	-	-
8	-	-
9	Y/B	REAR DEFOGGER SW
10	-	-
11	O	ACC SW
12	R/L	DOOR SW (AS)
13	GR	DOOR SW (RR)
14	-	-
15	L/W	TPMS MODE TRIGGER SW

Terminal No.	Color of Wire	Signal Name
16	-	-
17	-	-
18	P	KEYLESS AND AUTO LIGHT SENSOR GND
19	V/W	KEYLESS TUNER POWER SUPPLY OUTPUT
20	GW	KEYLESS TUNER SIGNAL
21	G	IMMOBILIZER ANTENNA SIGNAL (CLOCK)
22	G	ANTI-PINCH SERIAL LINK (RX, TX)
23	G/O	SECURITY INDICATOR OUTPUT
24	-	-
25	BR	IMMOBILIZER ANTENNA SIGNAL (RX, TX)
26	-	-
27	W/R	AIRCON SW
28	L/R	BLOWER FAN SW
29	W/B	HAZARD SW
30	-	-
31	P/L	CARGO LAMP SW
32	R/G	OUTPUT 5
33	R/Y	OUTPUT 4
34	L	OUTPUT 3
35	O/B	OUTPUT 2
36	R/W	OUTPUT 1
37	B/R	KEY SW
38	W/L	IGN SW
39	L	CAN-H
40	P	CAN-L

Connector No.	M19
Connector Name	BCM (BODY CONTROL MODULE)
Connector Color	WHITE



41	42	43	44	45	46	47	48	49
50	51	52	53	54	55			

Terminal No.	Color of Wire	Signal Name
41	-	-
42	-	-
43	-	-
44	-	-
45	-	-
46	-	-
47	SB	DOOR SW (DR)
48	R/Y	DOOR SW (RL)
49	-	-
50	R/Y	CARGO LAMP OUTPUT
51	G/Y	TRAILER FLASHER OUTPUT (RIGHT)
52	G/B	TRAILER FLASHER OUTPUT (LEFT)
53	-	-
54	-	-
55	-	-

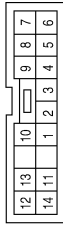
ABMIA0027GB

A
B
C
D
E
F
G
H
I
J
L
M
N
O
P

BCM (BODY CONTROL MODULE)

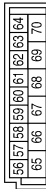
< ECU DIAGNOSIS >

Connector No.	M28
Connector Name	COMBINATION SWITCH
Connector Color	WHITE



Terminal No.	Color of Wire	Signal Name
1	R/W	INPUT 1
2	O/B	INPUT 2
3	L	INPUT 3
4	R/Y	INPUT 4
5	R/G	INPUT 5
6	V	OUTPUT 1
7	G/B	OUTPUT 2
8	SB	OUTPUT 5
9	G/Y	OUTPUT 4
10	Y	OUTPUT 3
11	V/W	WASHER MOTOR
12	B	GND
13	-	-
14	-	-

Connector No.	M20
Connector Name	BCM (BODY CONTROL MODULE)
Connector Color	BLACK



Terminal No.	Color of Wire	Signal Name
56	R/G	BATTERY SAVER OUTPUT
57	Y/R	BAT (FUSE)
58	W/R	AUTO LIGHT SENSOR INPUT 2
59	G	DOOR UNLOCK OUTPUT (DR)
60	G/B	FLASHER OUTPUT (LEFT)
61	G/Y	FLASHER OUTPUT (RIGHT)
62	R/W	STEP LAMP OUTPUT
63	L	ROOM LAMP
64	-	-
65	V	DOOR LOCK OUTPUT (ALL)
66	G/Y	DOOR UNLOCK OUTPUT (OTHER)
67	B	GND (POWER)
68	W/L	POWER WINDOW POWER SUPPLY (RAP)
69	W/R	POWER WINDOW POWER SUPPLY (BAT)
70	W/B	BAT (F/L)

ABMIA0028GB

POWER WINDOW MAIN SWITCH

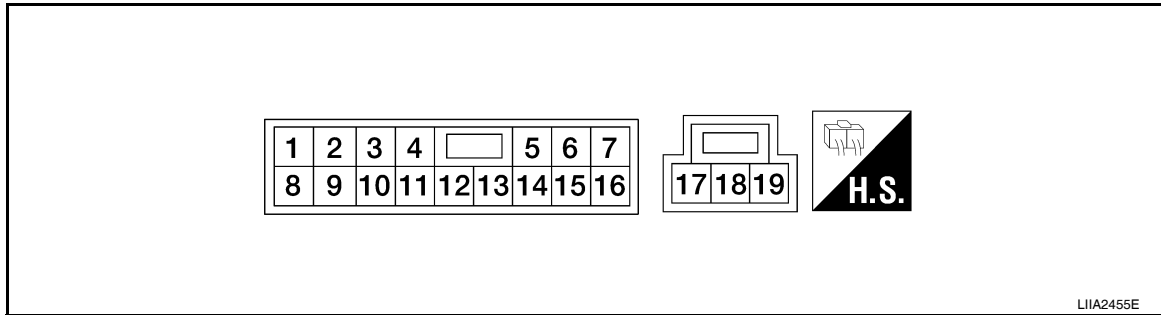
< ECU DIAGNOSIS >

POWER WINDOW MAIN SWITCH

Reference Value (Crew Cab)

INFOID:000000003788291

TERMINAL LAYOUT



PHYSICAL VALUES

MAIN POWER WINDOW AND DOOR LOCK/UNLOCK SWITCH

Terminal No. (Wire color)		Description		Condition	Voltage [V] (Approx.)
+	-	Signal name	Input/ Output		
1 (R/Y)	Ground	Rear power window motor LH UP signal	Output	When rear LH switch in power window main switch is operated UP.	Battery voltage
2 (W/B)	Ground	Encoder ground	—	—	0
3 (R/B)	Ground	Rear power window motor LH DOWN signal	Output	When rear LH switch in power window main switch is operated DOWN.	Battery voltage
4 (L)	Ground	Door key cylinder switch LH LOCK signal	Input	Key position (Neutral → Locked)	5 → 0
5 (L)	Ground	Rear power window motor RH DOWN signal	Output	When rear RH switch in power window main switch is operated DOWN.	Battery voltage
6 (R)	Ground	Door key cylinder switch LH UNLOCK signal	Input	Key position (Neutral → Unlocked)	5 → 0
7 (R)	Ground	Rear power window motor RH UP signal	Output	When rear RH switch in power window main switch is operated UP.	Battery voltage
8 (G/R)	11	Front door power window mo- tor LH UP signal	Output	When front LH switch in power window main switch is operated UP.	Battery voltage
9 (O)	2	Encoder pulse signal 2	Input	When power window mo- tor operates.	

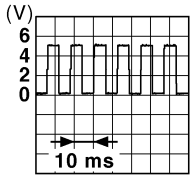
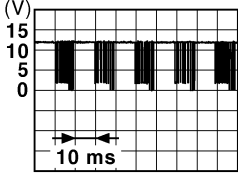
JMKIA0070GB

A
B
C
D
E
F
G
H
I
J
L
M
N
O
P

PWC

POWER WINDOW MAIN SWITCH

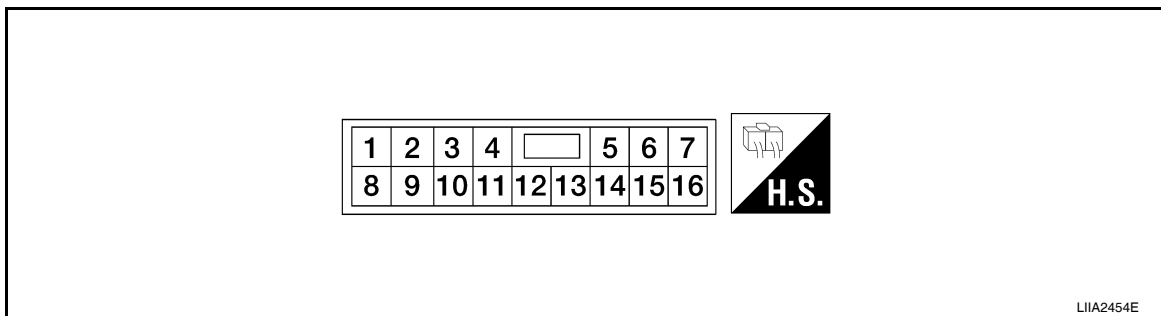
< ECU DIAGNOSIS >

Terminal No. (Wire color)		Description		Condition	Voltage [V] (Approx.)
+	-	Signal name	Input/ Output		
10 (W/L)	Ground	RAP signal	Input	IGN SW ON	Battery voltage
				Within 45 second after ignition switch is turned to OFF.	Battery voltage
				When front LH or RH door is opened during retained power operation.	0
11 (G/W)	8	Front door power window motor LH DOWN signal	Output	When front LH switch in power window main switch is operated DOWN.	Battery voltage
13 (G/Y)	2	Encoder pulse signal 1	Input	When power window motor operates.	 <small>JMKIA0070GB</small>
14 (LG/W)	Ground	Power window serial link	Input/ Output	IGN SW ON or power window timer operating.	 <small>JPMIA0013GB</small>
15 (BR)	Ground	Encoder power supply	Output	When ignition switch ON or power window timer operates.	10
17 (B)	Ground	Ground	—	—	0
19 (W/R)	Ground	Battery power supply	Input	—	Battery voltage

Reference Value (King Cab)

INFOID:000000003788292

TERMINAL LAYOUT



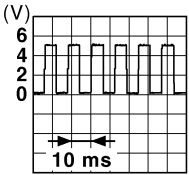
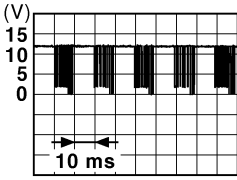
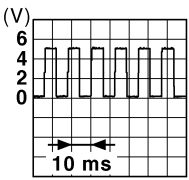
LIA2454E

PHYSICAL VALUES

MAIN POWER WINDOW AND DOOR LOCK/UNLOCK SWITCH

POWER WINDOW MAIN SWITCH

< ECU DIAGNOSIS >

Terminal No. (Wire color)		Description		Condition	Voltage [V] (Approx.)
+	-	Signal name	Input/ Output		
1 (W/R)	Ground	Battery power supply	Input	—	Battery voltage
5 (BR)	Ground	Encoder power supply	Output	When ignition switch ON or power window timer operates	10
6 (L)	Ground	Door key cylinder switch LH LOCK signal	Input	Key position (Neutral → Locked)	5 → 0
7 (R)	Ground	Door key cylinder switch LH UNLOCK signal	Input	Key position (Neutral → Unlocked)	5 → 0
8 (G/R)	11	Front door power window motor LH UP signal	Output	When front LH switch in power window main switch is operated UP.	Battery voltage
9 (O)	3	Encoder pulse signal 2	Input	When power window motor operates.	 <small>JMKIA0070GB</small>
10 (W/L)	Ground	RAP signal	Input	IGN SW ON	Battery voltage
				Within 45 second after ignition switch is turned to OFF.	Battery voltage
				When front LH or RH door is opened during retained power operation.	0
11 (G/W)	8	Front door power window motor LH DOWN signal	Output	When front LH switch in power window main switch is operated DOWN.	Battery voltage
12 (LG/W)	Ground	Power window serial link	Input/ Output	IGN SW ON or power window timer operating.	 <small>JPMIA0013GB</small>
13 (G/Y)	3	Encoder pulse signal 1	Input	When power window motor operates.	 <small>JMKIA0070GB</small>
14 (W/B)	Ground	Encoder ground	—	—	0
15 (B)	Ground	Ground	—	—	0

A
B
C
D
E
F
G
H
I
J
L
M
N
O
P

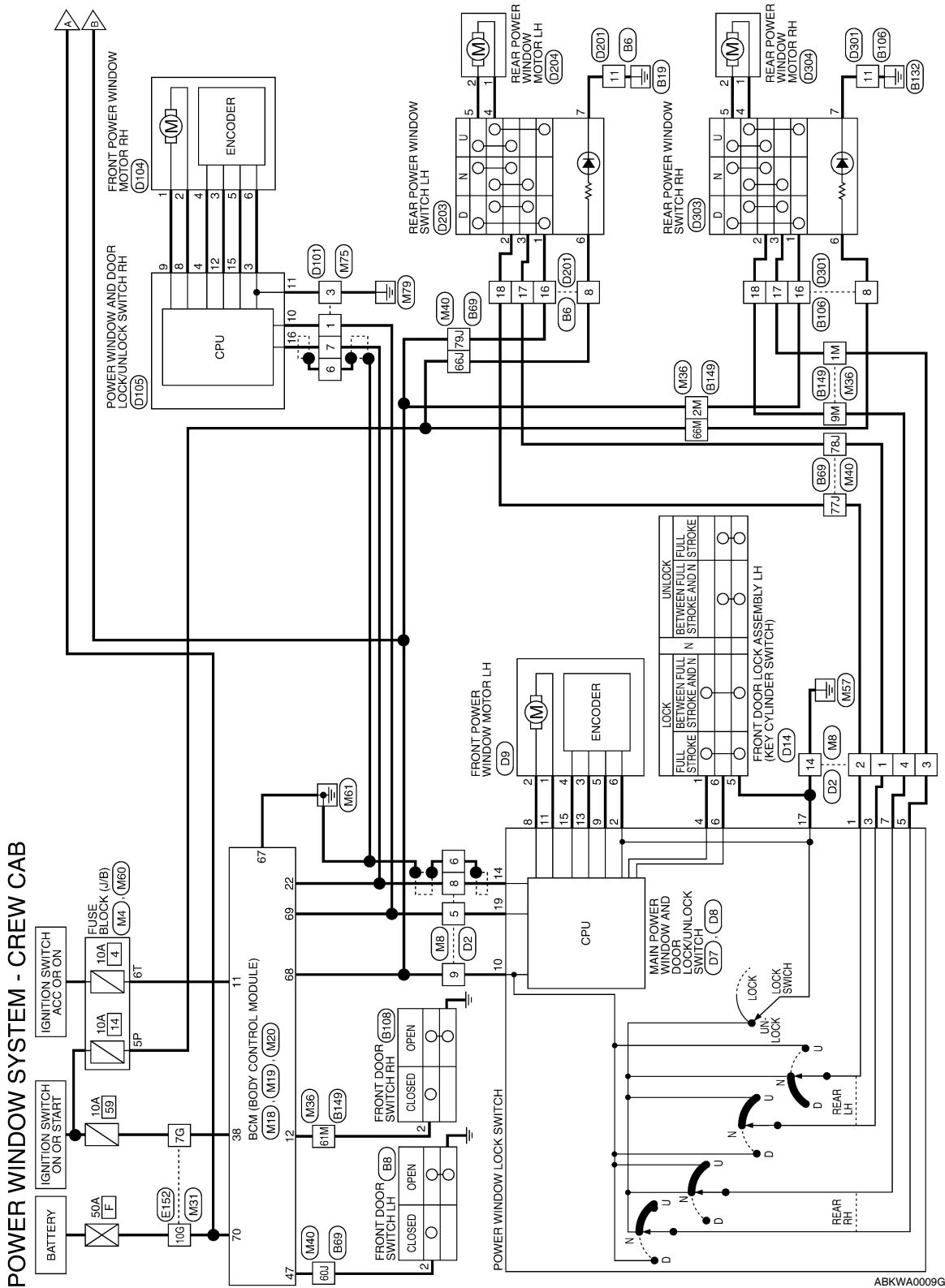
PWC

POWER WINDOW MAIN SWITCH

< ECU DIAGNOSIS >

Wiring Diagram (Crew Cab)

INFOID:000000003788293

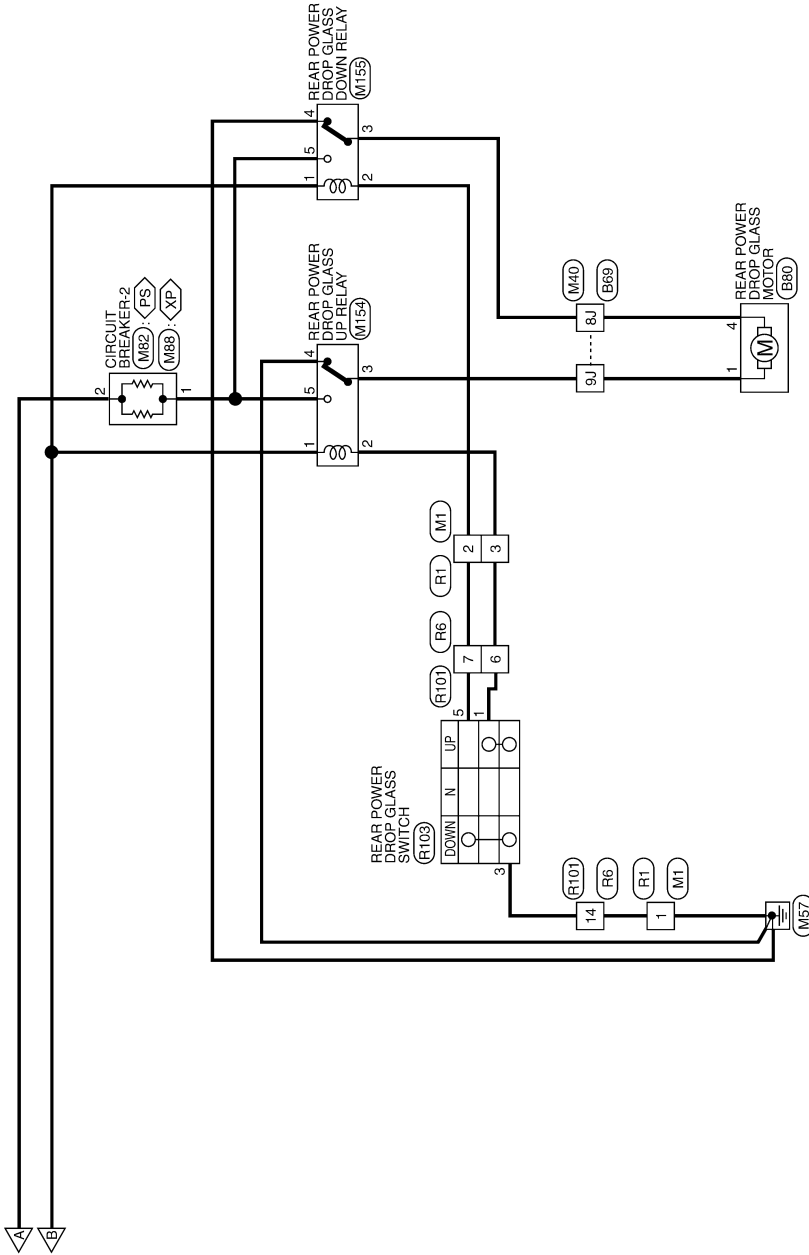


ABKWA0009GE

POWER WINDOW MAIN SWITCH

< ECU DIAGNOSIS >

<XP> : WITHOUT POWER SEAT
 <PS> : WITH POWER SEAT



A
B
C
D
E
F
G
H
I
J
K
L
M
N
O
P

PWC

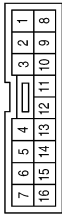
ABKWA0010GE

POWER WINDOW MAIN SWITCH

< ECU DIAGNOSIS >

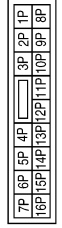
POWER WINDOW SYSTEM CONNECTORS - CREW CAB

Connector No.	M1
Connector Name	WIRE TO WIRE
Connector Color	WHITE



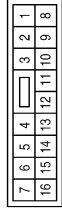
Terminal No.	Color of Wire	Signal Name
1	B	-
2	L/W	-
3	G	-

Connector No.	M4
Connector Name	FUSE BLOCK (J/B)
Connector Color	WHITE



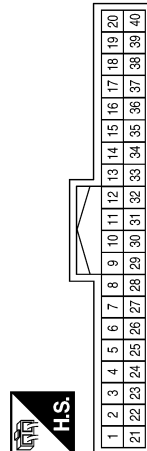
Terminal No.	Color of Wire	Signal Name
5P	O/L	-

Connector No.	M8
Connector Name	WIRE TO WIRE
Connector Color	WHITE



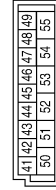
Terminal No.	Color of Wire	Signal Name
1	R/B	-
2	R/Y	-
3	L	-
4	R	-
5	W/R	-
6	SHIELD	-
8	G	-
9	W/L	-
14	B	-

Connector No.	M18
Connector Name	BCM (BODY CONTROL MODULE)
Connector Color	WHITE



Terminal No.	Color of Wire	Signal Name
11	O	ACC SW
12	R/L	DOOR SW (AS)
22	G	ANTI-PINCH SERIAL LINK (RX, TX)
38	W/L	IGN SW

Connector No.	M19
Connector Name	BCM (BODY CONTROL MODULE)
Connector Color	WHITE



Terminal No.	Color of Wire	Signal Name
47	SB	DOOR SW (DR)

Connector No.	M20
Connector Name	BCM (BODY CONTROL MODULE)
Connector Color	BLACK



Terminal No.	Color of Wire	Signal Name
67	B	GND (POWER)
68	W/L	POWER WINDOW POWER SUPPLY (RAP)
69	W/R	POWER WINDOW POWER SUPPLY (BAT)
70	W/B	BATT (F/L)

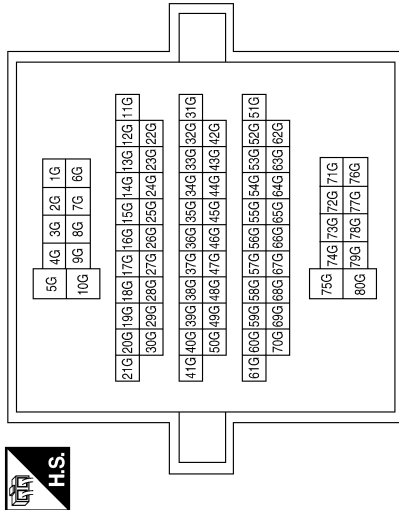
ABKIA0028GB

POWER WINDOW MAIN SWITCH

< ECU DIAGNOSIS >

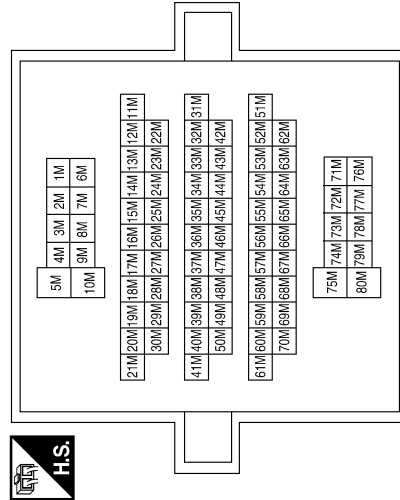
Terminal No.	Color of Wire	Signal Name
7G	W/L	-
10G	W/B	-

Connector No.	M31
Connector Name	WIRE TO WIRE
Connector Color	WHITE



Terminal No.	Color of Wire	Signal Name
1M	L	-
2M	W/L	-
9M	R	-
61M	R/L	-
66M	O/L	-

Connector No.	M36
Connector Name	WIRE TO WIRE
Connector Color	WHITE



AAKIA0117GB

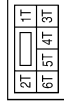
A
B
C
D
E
F
G
H
I
J
L
M
N
O
P

PWC

POWER WINDOW MAIN SWITCH

< ECU DIAGNOSIS >

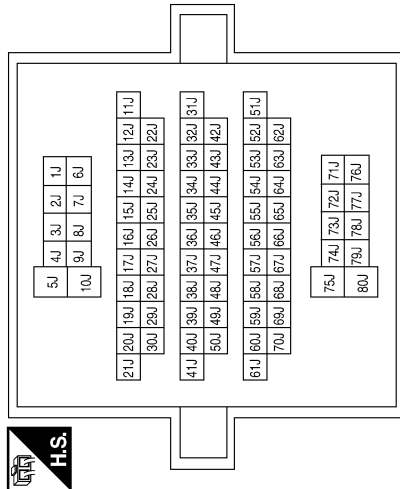
Connector No.	M60
Connector Name	FUSE BLOCK (J/B)
Connector Color	WHITE



Terminal No.	Color of Wire	Signal Name
6T	O	-

Terminal No.	Color of Wire	Signal Name
8J	B/R	-
9J	L/Y	-
60J	SB	-
66J	O/L	-
77J	R/Y	-
78J	R/B	-
79J	W/L	-

Connector No.	M40
Connector Name	WIRE TO WIRE
Connector Color	WHITE



Connector No.	M88
Connector Name	CIRCUIT BREAKER-2 (WITHOUT POWER SEAT)
Connector Color	WHITE



Terminal No.	Color of Wire	Signal Name
1	L/B	-
2	W/B	-

Connector No.	M82
Connector Name	CIRCUIT BREAKER-2 (WITH POWER SEAT)
Connector Color	WHITE



Terminal No.	Color of Wire	Signal Name
1	L/B	-
2	W/B	-

Connector No.	M75
Connector Name	WIRE TO WIRE
Connector Color	WHITE

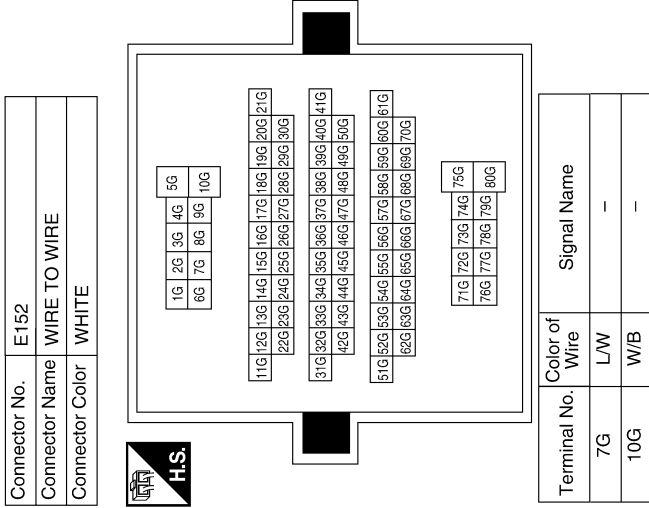


Terminal No.	Color of Wire	Signal Name
1	W/R	-
3	B	-
6	SHIELD	-
7	G	-

ABKIA0029GB

POWER WINDOW MAIN SWITCH

< ECU DIAGNOSIS >



Connector No.	M155
Connector Name	REAR POWER DROP GLASS DOWN RELAY
Connector Color	BLACK



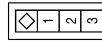
Terminal No.	Color of Wire	Signal Name
1	W/L	-
2	L/W	-
3	B/R	-
4	B	-
5	L/B	-

Connector No.	M154
Connector Name	REAR POWER DROP GLASS UP RELAY
Connector Color	BLACK



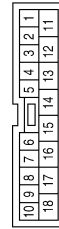
Terminal No.	Color of Wire	Signal Name
1	W/L	-
2	G	-
3	L/Y	-
4	B	-
5	L/B	-

Connector No.	B8
Connector Name	FRONT DOOR SWITCH LH
Connector Color	WHITE



Terminal No.	Color of Wire	Signal Name
2	SB	-

Connector No.	B6
Connector Name	WIRE TO WIRE
Connector Color	WHITE



Terminal No.	Color of Wire	Signal Name
8	O/L	-
11	B	-
16	W/L	-
17	R/B	-
18	R/Y	-

AAKIA0118GB

A B C D E F G H I J L M N O P

PWC

POWER WINDOW MAIN SWITCH

< ECU DIAGNOSIS >

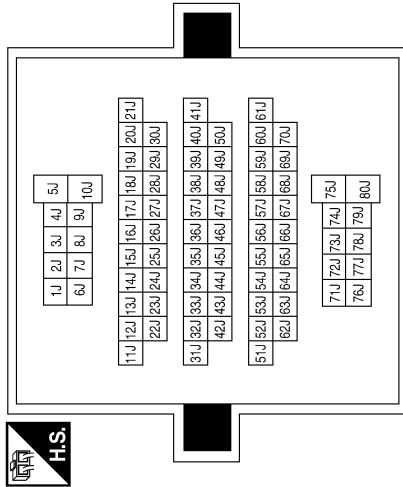
Connector No.	B80
Connector Name	REAR POWER DROP GLASS MOTOR
Connector Color	GRAY



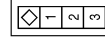
Terminal No.	Color of Wire	Signal Name
1	L/Y	-
4	B/R	-

Terminal No.	Color of Wire	Signal Name
8J	B/R	-
9J	L/Y	-
60J	SB	-
66J	O/L	-
77J	R/Y	-
78J	R/B	-
79J	W/L	-

Connector No.	B69
Connector Name	WIRE TO WIRE
Connector Color	WHITE

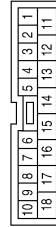


Connector No.	B108
Connector Name	FRONT DOOR SWITCH RH
Connector Color	WHITE



Terminal No.	Color of Wire	Signal Name
2	R/L	-

Connector No.	B106
Connector Name	WIRE TO WIRE
Connector Color	WHITE



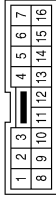
Terminal No.	Color of Wire	Signal Name
8	O/L	-
11	B	-
16	W/L	-
17	L	-
18	R	-

ABKIA0030GB

POWER WINDOW MAIN SWITCH

< ECU DIAGNOSIS >

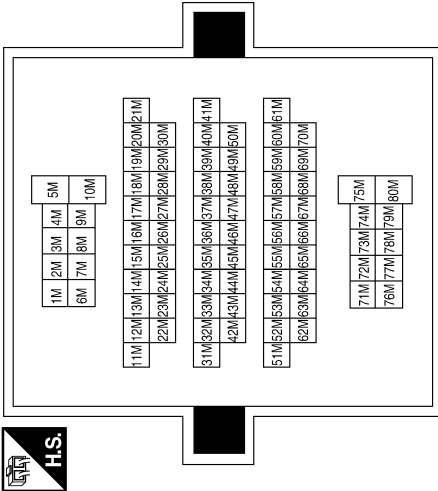
Connector No.	R1
Connector Name	WIRE TO WIRE
Connector Color	WHITE



Terminal No.	Color of Wire	Signal Name
1	B	-
2	L/W	-
3	G	-

Terminal No.	Color of Wire	Signal Name
1M	L	-
2M	W/L	-
9M	R	-
61M	R/L	-
66M	O/L	-

Connector No.	B149
Connector Name	WIRE TO WIRE
Connector Color	WHITE

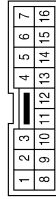


Connector No.	R103
Connector Name	REAR POWER DROP GLASS SWITCH
Connector Color	WHITE



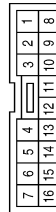
Terminal No.	Color of Wire	Signal Name
1	G	-
3	B	-
5	L/W	-

Connector No.	R101
Connector Name	WIRE TO WIRE
Connector Color	WHITE



Terminal No.	Color of Wire	Signal Name
6	G	-
7	L/W	-
14	B	-

Connector No.	R6
Connector Name	WIRE TO WIRE
Connector Color	WHITE



Terminal No.	Color of Wire	Signal Name
6	G	-
7	L/W	-
14	B	-

ABKIA0031GB


A
B
C
D
E
F
G
H
I
J
L
M
N
O
P

PWC

POWER WINDOW MAIN SWITCH

< ECU DIAGNOSIS >


Connector No.	D2
Connector Name	WIRE TO WIRE
Connector Color	WHITE



1	2	3	4	5	6	7
8	9	10	11	12	13	14
15	16					

Terminal No.	Color of Wire	Signal Name
1	R/B	-
2	R/Y	-
3	L	-
4	R	-
5	W/R	-
8	LG/W	-
9	W/L	-
14	B	-


Connector No.	D8
Connector Name	MAIN POWER WINDOW AND DOOR LOCK/UNLOCK SWITCH (CREW CAB)
Connector Color	WHITE



17	18	19
----	----	----

Terminal No.	Color of Wire	Signal Name
17	B	GND
18	-	-
19	W/R	P WDW BAT

Connector No.	D7
Connector Name	MAIN POWER WINDOW AND DOOR LOCK/UNLOCK SWITCH (CREW CAB)
Connector Color	WHITE



1	2	3	4	5	6	7
8	9	10	11	12	13	14
15	16					

Terminal No.	Color of Wire	Signal Name
1	R/Y	-
2	W/B	-
3	R/B	-
4	L	LOCK
5	L	-

Connector No.	D9
Connector Name	FRONT POWER WINDOW MOTOR LH
Connector Color	GRAY




2	5	1
4	3	6

Terminal No.	Color of Wire	Signal Name
1	G/W	-
2	G/R	-
3	G/Y	-
4	BR	-
5	O	-
6	W/B	-

Terminal No.	Color of Wire	Signal Name
6	R	UNLOCK
7	R	-
8	G/R	-
9	O	-
10	W/L	-
11	G/W	-
12	-	-
13	G/Y	-
14	LG/W	ANTI PINCH SERIAL LINK
15	BR	-
16	-	-

Connector No.	D14
Connector Name	FRONT DOOR LOCK ASSEMBLY LH
Connector Color	BLACK



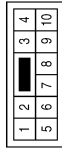
1	2	3	4	5	6
---	---	---	---	---	---

Terminal No.	Color of Wire	Signal Name
1	L	LOCK
5	B	GND
6	R	UNLOCK

POWER WINDOW MAIN SWITCH

< ECU DIAGNOSIS >

Connector No.	D101
Connector Name	WIRE TO WIRE
Connector Color	WHITE



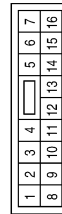
Terminal No.	Color of Wire	Signal Name
1	W/R	-
3	B	-
6	SHIELD	-
7	LG/W	-

Connector No.	D104
Connector Name	FRONT POWER WINDOW MOTOR RH
Connector Color	GRAY



Terminal No.	Color of Wire	Signal Name
1	G	-
2	L	-
3	G/Y	-
4	G/R	-
5	G/W	-
6	W/B	-

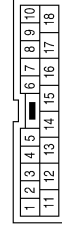
Connector No.	D105
Connector Name	POWER WINDOW AND DOOR LOCK/UNLOCK SWITCH RH
Connector Color	WHITE



Terminal No.	Color of Wire	Signal Name
1	-	-
2	-	-
3	W/B	-
4	G/R	-
5	-	-
6	-	-
7	-	-

Terminal No.	Color of Wire	Signal Name
8	L	-
9	G	-
10	W/R	-
11	B	GND
12	G/Y	-
13	-	-
14	-	-
15	G/W	-
16	LG/W	ANTI PINCH SERIAL LINK

Connector No.	D201
Connector Name	WIRE TO WIRE
Connector Color	WHITE



Terminal No.	Color of Wire	Signal Name
8	O/L	-
11	B	-
16	W/L	-
17	R/B	-
18	R/Y	-

ABKIA0033GB

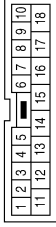
A
B
C
D
E
F
G
H
I
J
K
L
M
N
O
P

PWC

POWER WINDOW MAIN SWITCH

< ECU DIAGNOSIS >

Connector No.	D301
Connector Name	WIRE TO WIRE
Connector Color	WHITE



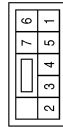
Terminal No.	Color of Wire	Signal Name
8	O/L	-
11	B	-
16	W/L	-
17	L	-
18	R	-

Connector No.	D204
Connector Name	REAR POWER WINDOW MOTOR LH
Connector Color	GRAY



Terminal No.	Color of Wire	Signal Name
1	G	-
2	L	-

Connector No.	D203
Connector Name	REAR POWER WINDOW SWITCH LH
Connector Color	WHITE



Terminal No.	Color of Wire	Signal Name
1	W/L	BAT
2	R/Y	UP
3	R/B	DOWN
4	G	DOWN
5	L	UP
6	O/L	-
7	B	-

Connector No.	D304
Connector Name	REAR POWER WINDOW MOTOR RH
Connector Color	GRAY



Terminal No.	Color of Wire	Signal Name
1	Y/B	-
2	BR	-

Connector No.	D303
Connector Name	REAR POWER WINDOW SWITCH RH
Connector Color	WHITE



Terminal No.	Color of Wire	Signal Name
1	W/L	BAT
2	R	UP
3	L	DOWN
4	Y/B	DOWN
5	BR	UP
6	O/L	-
7	B	-

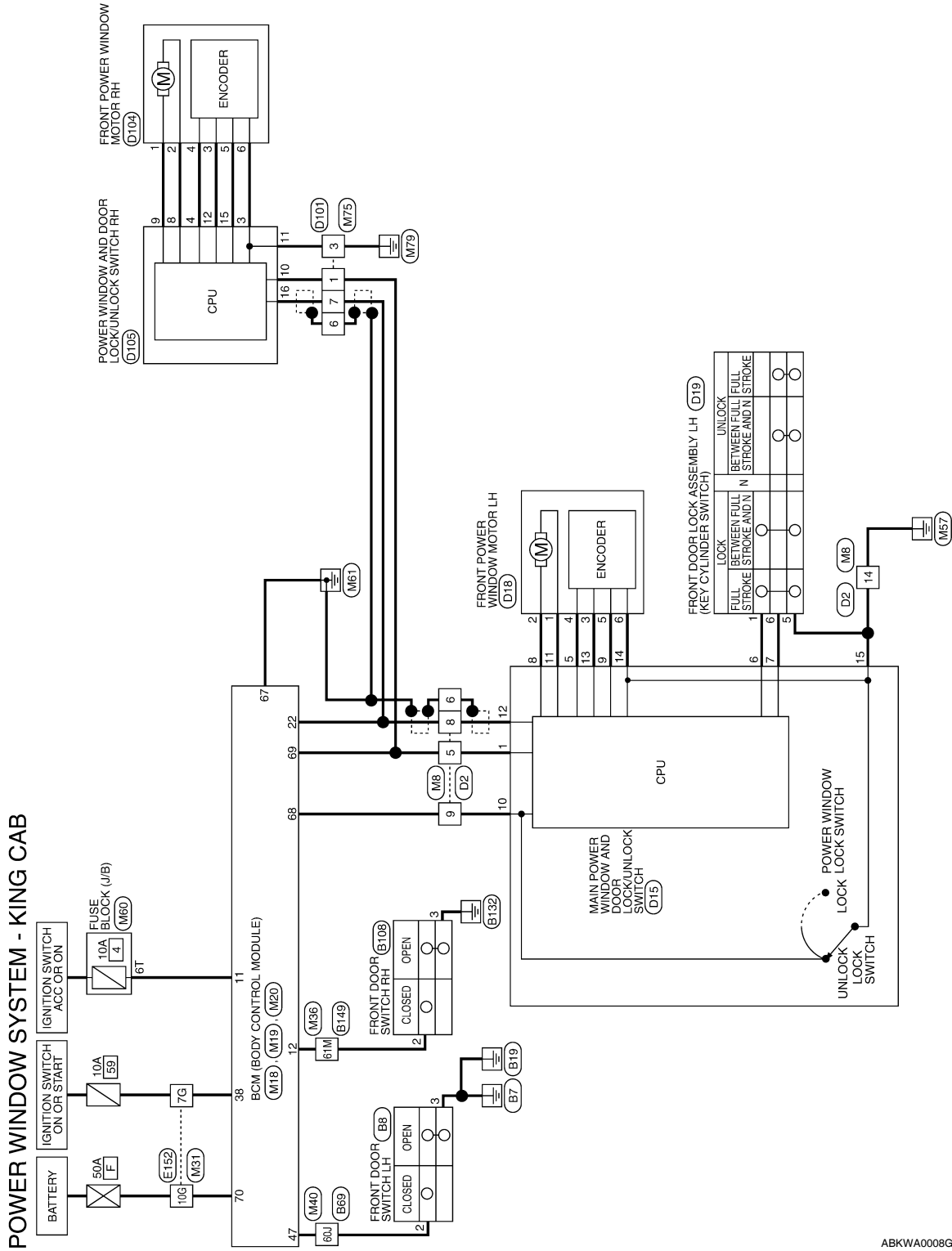
AAKIA0119GB

POWER WINDOW MAIN SWITCH

< ECU DIAGNOSIS >

Wiring Diagram (King Cab)

INFOID:000000003788294



ABKWA0008GE

A
B
C
D
E
F
G
H
I
J
K
L
M
N
O
P

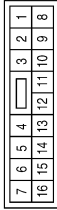
PWC

POWER WINDOW MAIN SWITCH

< ECU DIAGNOSIS >

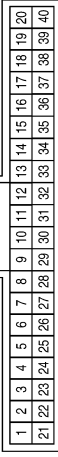
POWER WINDOW SYSTEM CONNECTORS - KING CAB

Connector No.	M8
Connector Name	WIRE TO WIRE
Connector Color	WHITE



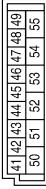
Terminal No.	Color of Wire	Signal Name
5	W/R	-
6	SHIELD	-
8	G	-
9	W/L	-
14	B	-

Connector No.	M18
Connector Name	BCM (BODY CONTROL MODULE)
Connector Color	WHITE



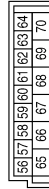
Terminal No.	Color of Wire	Signal Name
11	O	ACC SW
12	R/L	DOOR SW (AS)
22	G	ANTI-PINCH SERIAL LINK (RX, TX)
38	W/L	IGN SW

Connector No.	M19
Connector Name	BCM (BODY CONTROL MODULE)
Connector Color	WHITE



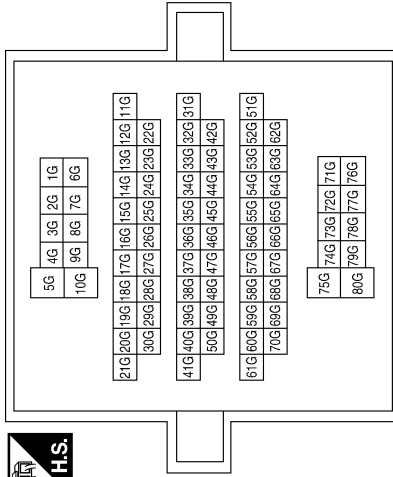
Terminal No.	Color of Wire	Signal Name
47	SB	DOOR SW (DR)

Connector No.	M20
Connector Name	BCM (BODY CONTROL MODULE)
Connector Color	BLACK



Terminal No.	Color of Wire	Signal Name
67	B	GND (POWER)
68	W/L	POWER WINDOW POWER SUPPLY (RAP)
69	W/R	POWER WINDOW POWER SUPPLY (BAT)
70	W/B	BATT (F/L)

Connector No.	M31
Connector Name	WIRE TO WIRE
Connector Color	WHITE



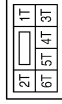
Terminal No.	Color of Wire	Signal Name
7G	W/L	-
10G	W/B	-

ABKIA0026GB

POWER WINDOW MAIN SWITCH

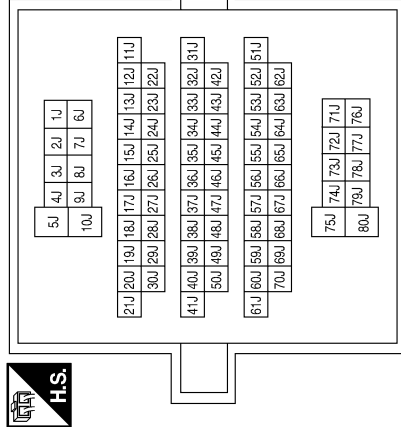
< ECU DIAGNOSIS >

Connector No.	M60
Connector Name	FUSE BLOCK (J/B)
Connector Color	WHITE



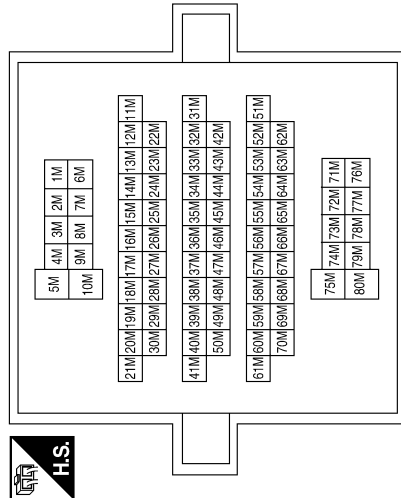
Terminal No.	Color of Wire	Signal Name
6T	O	-

Connector No.	M40
Connector Name	WIRE TO WIRE
Connector Color	WHITE



Terminal No.	Color of Wire	Signal Name
60J	SB	-

Connector No.	M36
Connector Name	WIRE TO WIRE
Connector Color	WHITE



Terminal No.	Color of Wire	Signal Name
61M	R/L	-

Connector No.	M75
Connector Name	WIRE TO WIRE
Connector Color	WHITE



Terminal No.	Color of Wire	Signal Name
1	W/R	-
3	B	-
6	SHIELD	-
7	G	-

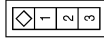
AAKIA0120GB

A
B
C
D
E
F
G
H
I
J
L
M
N
O
P

POWER WINDOW MAIN SWITCH

< ECU DIAGNOSIS >

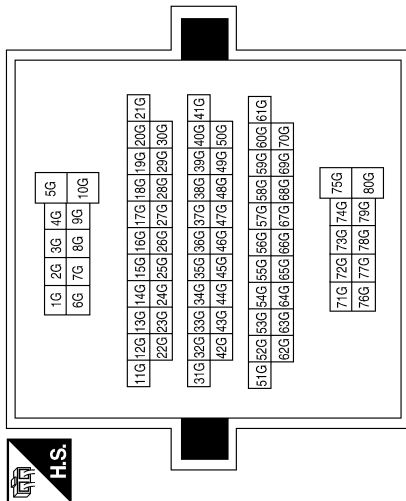
Connector No.	B8
Connector Name	FRONT DOOR SWITCH LH
Connector Color	WHITE



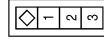
Terminal No.	Color of Wire	Signal Name
2	SB	-
3	B	-

Terminal No.	Color of Wire	Signal Name
7G	LW	-
10G	W/B	-

Connector No.	E152
Connector Name	WIRE TO WIRE
Connector Color	WHITE



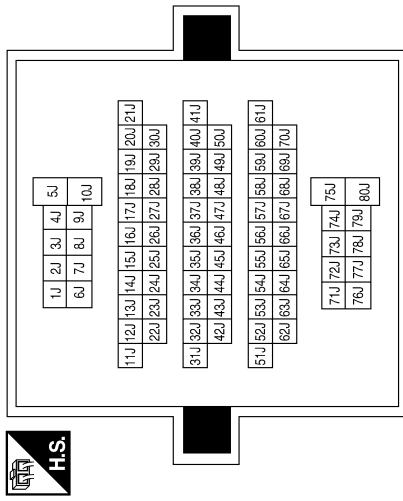
Connector No.	B108
Connector Name	FRONT DOOR SWITCH RH
Connector Color	WHITE



Terminal No.	Color of Wire	Signal Name
2	R/L	-
3	B	-

Terminal No.	Color of Wire	Signal Name
60J	SB	-

Connector No.	B69
Connector Name	WIRE TO WIRE
Connector Color	WHITE

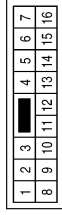


AAKIA0121GB

POWER WINDOW MAIN SWITCH

< ECU DIAGNOSIS >

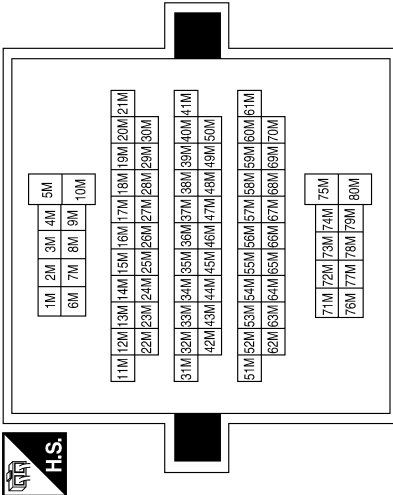
Connector No.	D2
Connector Name	WIRE TO WIRE
Connector Color	WHITE



Terminal No.	Color of Wire	Signal Name
5	W/R	-
6	SHIELD	-
8	LG/W	-
9	W/L	-
14	B	-

Terminal No.	61M	Color of Wire	R/L	Signal Name
				-

Connector No.	B149
Connector Name	WIRE TO WIRE
Connector Color	WHITE



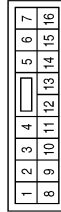
Connector No.	D18
Connector Name	FRONT POWER WINDOW MOTOR LH
Connector Color	GRAY



Terminal No.	Color of Wire	Signal Name
1	G/W	-
2	G/R	-
3	G/Y	-
4	BR	-
5	O	-
6	W/B	-

Terminal No.	Color of Wire	Signal Name
6	L	LOCK
7	R	UNLOCK
8	G/R	-
9	O	-
10	W/L	-
11	G/W	-
12	LG/W	ANTI PINCH SERIAL LINK
13	G/Y	-
14	W/B	-
15	B	GND
16	-	-

Connector No.	D15
Connector Name	MAIN POWER WINDOW AND DOOR LOCK/UNLOCK SWITCH (KING CAB)
Connector Color	WHITE



Terminal No.	Color of Wire	Signal Name
1	W/R	-
2	-	-
3	-	-
4	-	-
5	BR	-

AAKIA0122GB

A
B
C
D
E
F
G
H
I
J
L
M
N
O
P

POWER WINDOW MAIN SWITCH

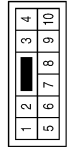
< ECU DIAGNOSIS >

Connector No.	D104
Connector Name	FRONT POWER WINDOW MOTOR RH
Connector Color	GRAY



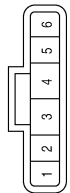
Terminal No.	Color of Wire	Signal Name
1	G	-
2	L	-
3	G/Y	-
4	G/R	-
5	G/W	-
6	W/B	-

Connector No.	D101
Connector Name	WIRE TO WIRE
Connector Color	WHITE



Terminal No.	Color of Wire	Signal Name
1	W/R	-
3	B	-
6	SHIELD	-
7	LG/W	-

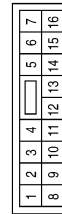
Connector No.	D19
Connector Name	FRONT DOOR LOCK ASSEMBLY LH
Connector Color	BLACK



Terminal No.	Color of Wire	Signal Name
1	L	LOCK
5	B	GND
6	R	UNLOCK

Terminal No.	Color of Wire	Signal Name
9	G	-
10	W/R	-
11	B	GND
12	G/Y	-
13	-	-
14	-	-
15	G/W	-
16	LG/W	ANTIPINCH SERIAL LINK

Connector No.	D105
Connector Name	POWER WINDOW AND DOOR LOCK/UNLOCK SWITCH RH
Connector Color	WHITE



Terminal No.	Color of Wire	Signal Name
1	-	-
2	-	-
3	W/B	-
4	G/R	-
5	-	-
6	-	-
7	-	-
8	L	-

Fail Safe

FAIL-SAFE CONTROL

Switches to fail-safe control when malfunction is detected in encoder signal that detects up/down speed and direction of door glass. Switches to fail-safe control when error beyond regulation value is detected between the fully closed position and the actual position of the glass.

ABKIA0027GB

INFOID:000000003788295

POWER WINDOW MAIN SWITCH

< ECU DIAGNOSIS >

Error	Error condition
Pulse sensor malfunction	When only one side of pulse signal is being detected for more than the specified value.
Both pulse sensors malfunction	When both pulse signals have not been detected for more than the specified value during glass open/close operation.
Pulse direction malfunction	When the pulse signal that is detected during glass open/close operation detects the opposite condition of power window motor operating direction.
Glass recognition position malfunction 1	When it detects the error between glass fully closed position in power window switch memory and actual fully closed position during glass open/close operation is more than the specified value.
Glass recognition position malfunction 2	When it detects pulse count more than the value of glass full stroke during glass open/close operation.
Malfunction of not yet updated closed position of glass	When glass open/close operation is continuously performed without fully closing more than the specified value (approximately 10 strokes).

It changes to condition before initialization and the following functions do not operate when switched to fail-safe control.

- Auto-up operation
- Anti-pinch function
- Retained power function

Perform initial operation to recover when switched to fail-safe mode. However, it switches back to fail-safe control when malfunction is found in power window switch or in motor.

A
B
C
D
E
F
G
H
I
J
L
M
N
O
P

PWC

FRONT POWER WINDOW SWITCH

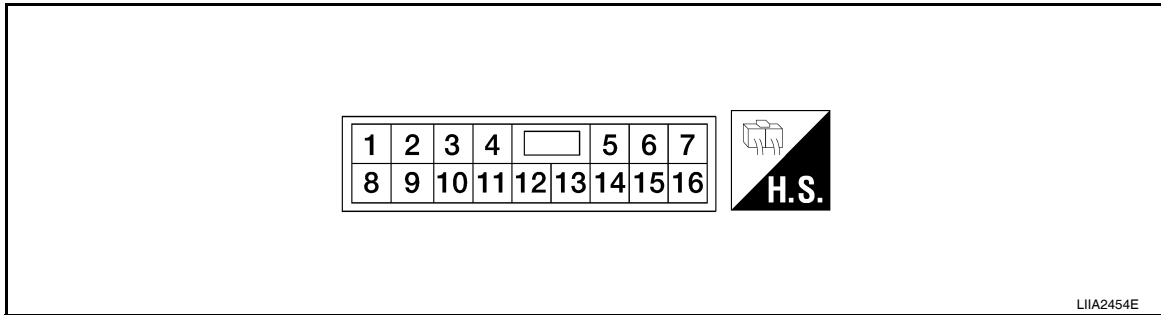
< ECU DIAGNOSIS >

FRONT POWER WINDOW SWITCH

Reference Value

INFOID:000000003788296

TERMINAL LAYOUT



PHYSICAL VALUES

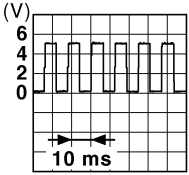
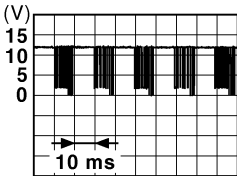
POWER WINDOW AND DOOR LOCK/UNLOCK SWITCH RH

Terminal No. (Wire color)		Description		Condition	Voltage [V] (Approx.)
+	-	Signal name	Input/ Output		
3 (W/B)	Ground	Encoder ground	—	—	0
4 (G/R)	Ground	Encoder power supply	Output	When ignition switch ON or power window timer operates	10
8 (L)	9	Power window motor UP signal	Output	When power window motor is UP at operated.	Battery voltage
9 (G)	8	Power window motor DOWN signal	Output	When power window motor is DOWN at operated.	Battery voltage
10 (W/R)	Ground	Battery power supply	Input	—	Battery voltage
11 (B)	Ground	Ground	—	—	0
12 (G/Y)	3	Encoder pulse signal 1	Input	When power window motor operates.	

JMKIA0070GB

FRONT POWER WINDOW SWITCH

< ECU DIAGNOSIS >

Terminal No. (Wire color)		Description		Condition	Voltage [V] (Approx.)
+	-	Signal name	Input/ Output		
15 (G/W)	3	Encoder pulse signal 2	Input	When power window motor operates.	 <p style="text-align: right; font-size: small;">JMKIA0070GB</p>
16 (LG/W)	Ground	Power window serial link	Input/ Output	IGN SW ON or power window timer operating.	 <p style="text-align: right; font-size: small;">JPMIA0013GB</p>

A
B
C
D
E
F
G
H
I
J
L
M
N
O
P

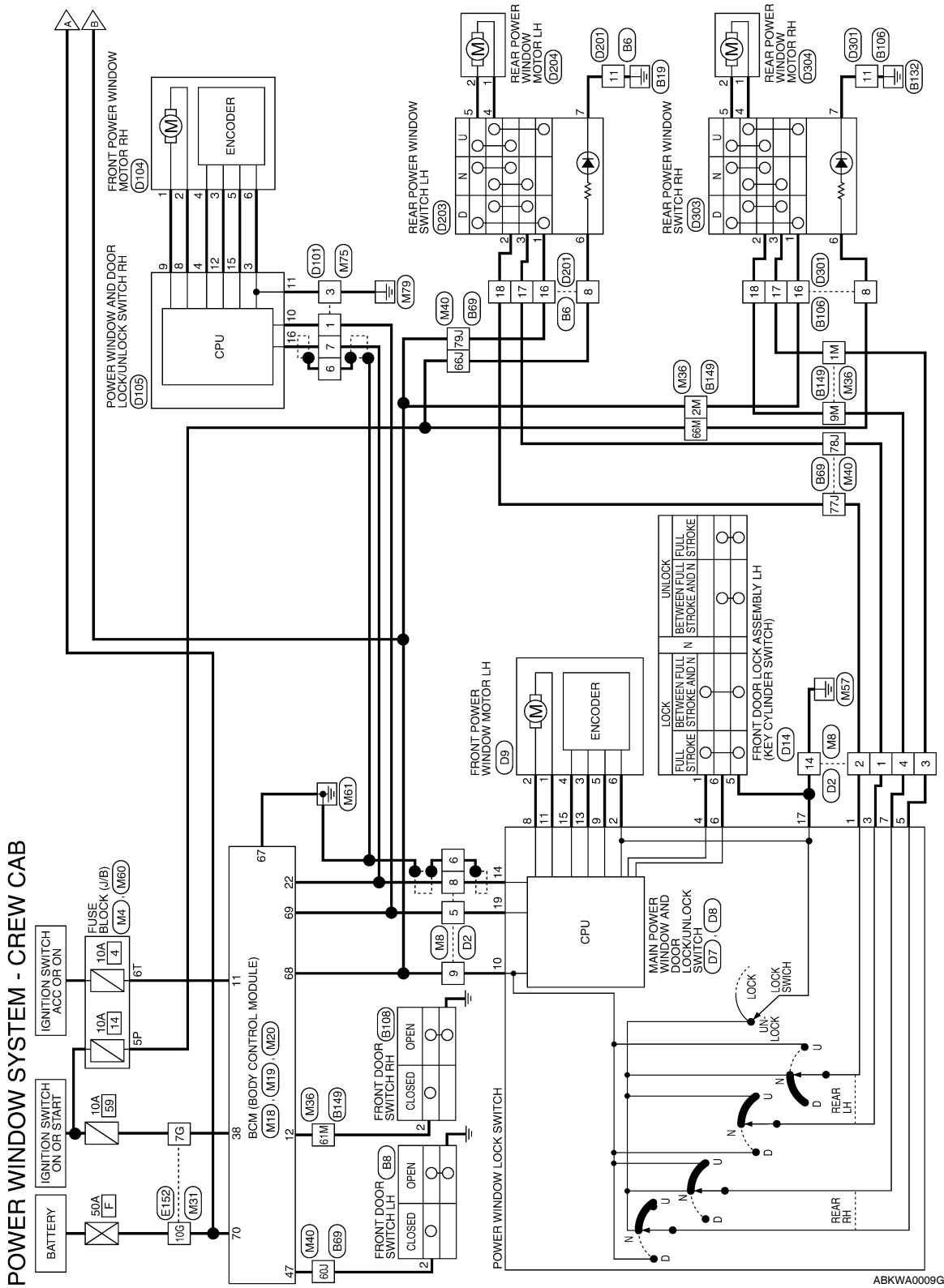
PWC

FRONT POWER WINDOW SWITCH

< ECU DIAGNOSIS >

Wiring Diagram (Crew Cab)

INFOID:000000004160648

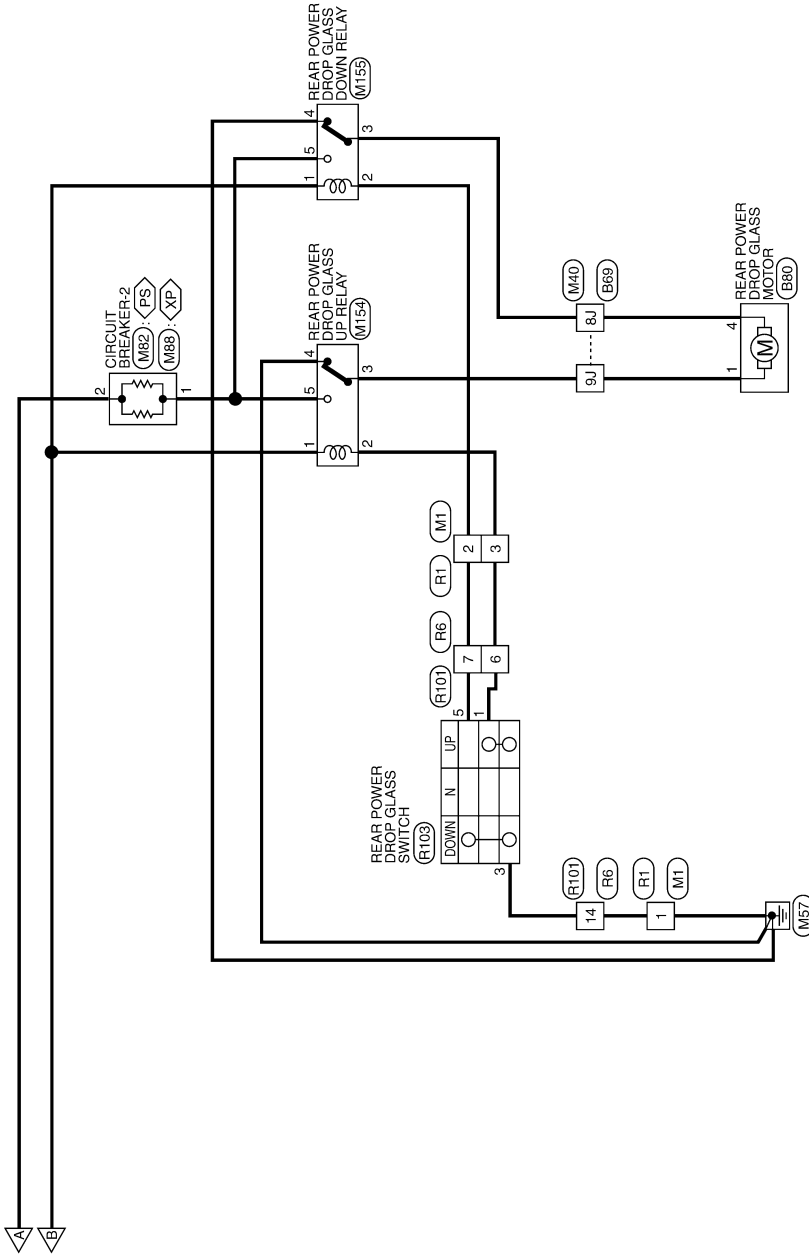


ABKWA0009GE

FRONT POWER WINDOW SWITCH

< ECU DIAGNOSIS >

<XP> : WITHOUT POWER SEAT
 <PS> : WITH POWER SEAT



A
B
C
D
E
F
G
H
I
J
PWC
L
M
N
O
P

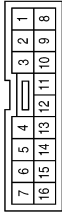
ABKWA0010GE

FRONT POWER WINDOW SWITCH

< ECU DIAGNOSIS >

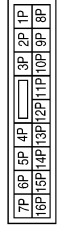
POWER WINDOW SYSTEM CONNECTORS - CREW CAB

Connector No.	M1
Connector Name	WIRE TO WIRE
Connector Color	WHITE



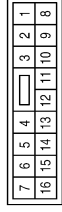
Terminal No.	Color of Wire	Signal Name
1	B	-
2	L/W	-
3	G	-

Connector No.	M4
Connector Name	FUSE BLOCK (J/B)
Connector Color	WHITE



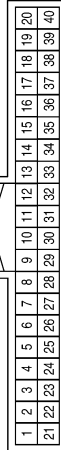
Terminal No.	Color of Wire	Signal Name
5P	O/L	-

Connector No.	M8
Connector Name	WIRE TO WIRE
Connector Color	WHITE



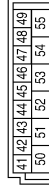
Terminal No.	Color of Wire	Signal Name
1	R/B	-
2	R/Y	-
3	L	-
4	R	-
5	W/R	-
6	SHIELD	-
8	G	-
9	W/L	-
14	B	-

Connector No.	M18
Connector Name	BCM (BODY CONTROL MODULE)
Connector Color	WHITE



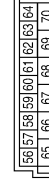
Terminal No.	Color of Wire	Signal Name
11	O	ACC SW
12	R/L	DOOR SW (AS)
22	G	ANTI-PINCH SERIAL LINK (RX, TX)
38	W/L	IGN SW

Connector No.	M19
Connector Name	BCM (BODY CONTROL MODULE)
Connector Color	WHITE



Terminal No.	Color of Wire	Signal Name
47	SB	DOOR SW (DR)

Connector No.	M20
Connector Name	BCM (BODY CONTROL MODULE)
Connector Color	BLACK



Terminal No.	Color of Wire	Signal Name
67	B	GND (POWER)
68	W/L	POWER WINDOW POWER SUPPLY (RAP)
69	W/R	POWER WINDOW POWER SUPPLY (BAT)
70	W/B	BATT (F/L)

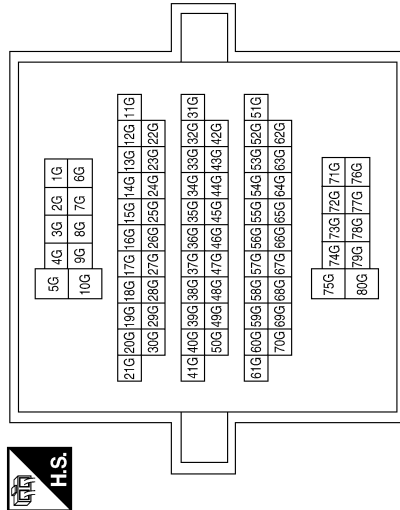
ABKIA0028GB

FRONT POWER WINDOW SWITCH

< ECU DIAGNOSIS >

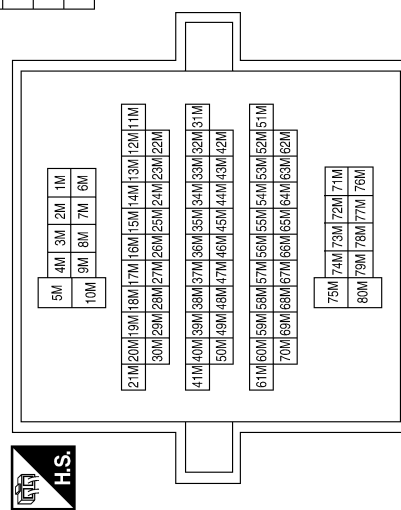
Terminal No.	Color of Wire	Signal Name
7G	W/L	-
10G	W/B	-

Connector No.	M31
Connector Name	WIRE TO WIRE
Connector Color	WHITE



Terminal No.	Color of Wire	Signal Name
1M	L	-
2M	W/L	-
9M	R	-
61M	R/L	-
66M	O/L	-

Connector No.	M36
Connector Name	WIRE TO WIRE
Connector Color	WHITE



A
B
C
D
E
F
G
H
I
J

PWC

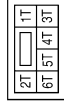
L
M
N
O
P

AAKIA0117GB

FRONT POWER WINDOW SWITCH

< ECU DIAGNOSIS >

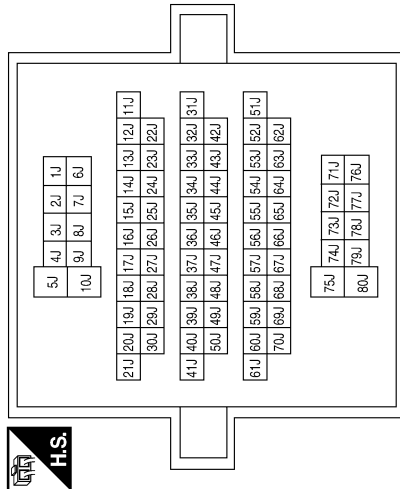
Connector No.	M60
Connector Name	FUSE BLOCK (J/B)
Connector Color	WHITE



Terminal No.	Color of Wire	Signal Name
6T	O	-

Terminal No.	Color of Wire	Signal Name
8J	B/R	-
9J	L/Y	-
60J	SB	-
66J	O/L	-
77J	R/Y	-
78J	R/B	-
79J	W/L	-

Connector No.	M40
Connector Name	WIRE TO WIRE
Connector Color	WHITE



Connector No.	M88
Connector Name	CIRCUIT BREAKER-2 (WITHOUT POWER SEAT)
Connector Color	WHITE



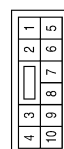
Terminal No.	Color of Wire	Signal Name
1	L/B	-
2	W/B	-

Connector No.	M82
Connector Name	CIRCUIT BREAKER-2 (WITH POWER SEAT)
Connector Color	WHITE



Terminal No.	Color of Wire	Signal Name
1	L/B	-
2	W/B	-

Connector No.	M75
Connector Name	WIRE TO WIRE
Connector Color	WHITE

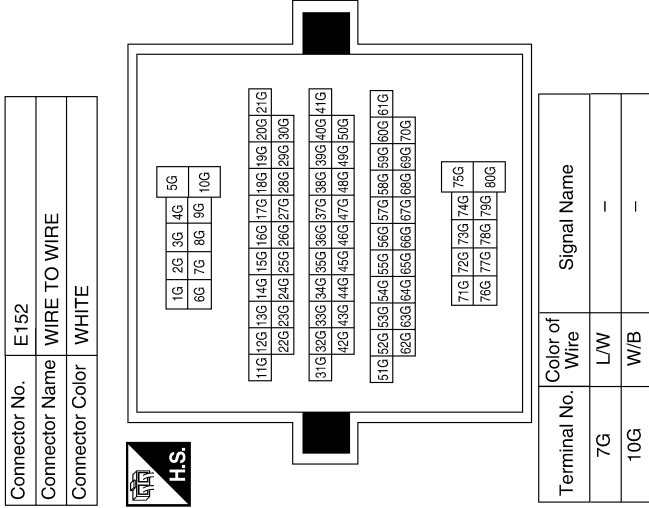


Terminal No.	Color of Wire	Signal Name
1	W/R	-
3	B	-
6	SHIELD	-
7	G	-

ABKIA0029GB

FRONT POWER WINDOW SWITCH

< ECU DIAGNOSIS >



Connector No.	M155
Connector Name	REAR POWER DROP GLASS DOWN RELAY
Connector Color	BLACK



Terminal No.	Color of Wire	Signal Name
1	W/L	-
2	L/W	-
3	B/R	-
4	B	-
5	L/B	-

Connector No.	M154
Connector Name	REAR POWER DROP GLASS UP RELAY
Connector Color	BLACK



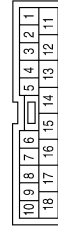
Terminal No.	Color of Wire	Signal Name
1	W/L	-
2	G	-
3	L/Y	-
4	B	-
5	L/B	-

Connector No.	B8
Connector Name	FRONT DOOR SWITCH LH
Connector Color	WHITE



Terminal No.	Color of Wire	Signal Name
2	SB	-

Connector No.	B6
Connector Name	WIRE TO WIRE
Connector Color	WHITE



Terminal No.	Color of Wire	Signal Name
8	O/L	-
11	B	-
16	W/L	-
17	R/B	-
18	R/Y	-

AAKIA0118GB

A
B
C
D
E
F
G
H
I
J
L
M
N
O
P

PWC

FRONT POWER WINDOW SWITCH

< ECU DIAGNOSIS >

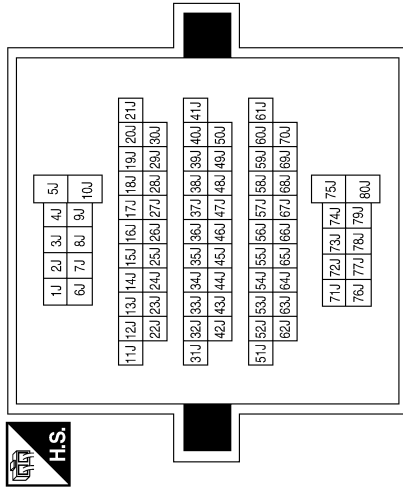
Connector No.	B80
Connector Name	REAR POWER DROP GLASS MOTOR
Connector Color	GRAY



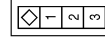
Terminal No.	Color of Wire	Signal Name
1	L/Y	-
4	B/R	-

Terminal No.	Color of Wire	Signal Name
8J	B/R	-
9J	L/Y	-
60J	SB	-
66J	O/L	-
77J	R/Y	-
78J	R/B	-
79J	W/L	-

Connector No.	B69
Connector Name	WIRE TO WIRE
Connector Color	WHITE

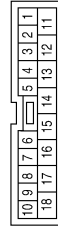


Connector No.	B108
Connector Name	FRONT DOOR SWITCH RH
Connector Color	WHITE



Terminal No.	Color of Wire	Signal Name
2	R/L	-

Connector No.	B106
Connector Name	WIRE TO WIRE
Connector Color	WHITE



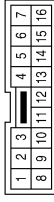
Terminal No.	Color of Wire	Signal Name
8	O/L	-
11	B	-
16	W/L	-
17	L	-
18	R	-

ABKIA0030GB

FRONT POWER WINDOW SWITCH

< ECU DIAGNOSIS >

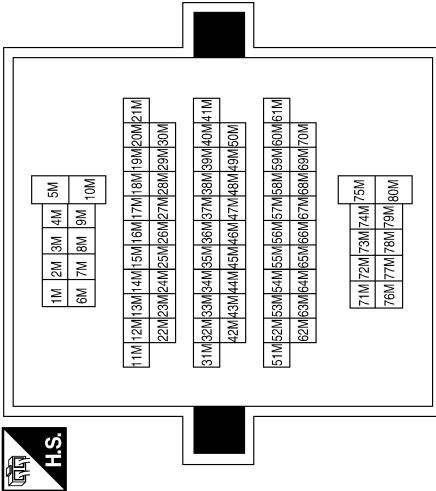
Connector No.	R1
Connector Name	WIRE TO WIRE
Connector Color	WHITE



Terminal No.	Color of Wire	Signal Name
1	B	-
2	L/W	-
3	G	-

Terminal No.	Color of Wire	Signal Name
1M	L	-
2M	W/L	-
9M	R	-
61M	R/L	-
66M	O/L	-

Connector No.	B149
Connector Name	WIRE TO WIRE
Connector Color	WHITE

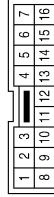


Connector No.	R103
Connector Name	REAR POWER DROP GLASS SWITCH
Connector Color	WHITE



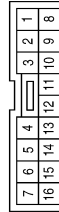
Terminal No.	Color of Wire	Signal Name
1	G	-
3	B	-
5	L/W	-

Connector No.	R101
Connector Name	WIRE TO WIRE
Connector Color	WHITE



Terminal No.	Color of Wire	Signal Name
6	G	-
7	L/W	-
14	B	-

Connector No.	R6
Connector Name	WIRE TO WIRE
Connector Color	WHITE



Terminal No.	Color of Wire	Signal Name
6	G	-
7	L/W	-
14	B	-

ABKIA0031GB

A
B
C
D
E
F
G
H
I
J
L
M
N
O
P

PWC

FRONT POWER WINDOW SWITCH

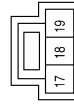
< ECU DIAGNOSIS >

Connector No.	D2
Connector Name	WIRE TO WIRE
Connector Color	WHITE

1	2	3	4	5	6	7
8	9	10	11	12	13	14
15	16					



Terminal No.	Color of Wire	Signal Name
1	R/B	-
2	R/Y	-
3	L	-
4	R	-
5	W/R	-
8	LG/W	-
9	W/L	-
14	B	-



Terminal No.	Color of Wire	Signal Name
17	B	GND
18	-	-
19	W/R	P WDW BAT

Connector No.	D7
Connector Name	MAIN POWER WINDOW AND DOOR LOCK/UNLOCK SWITCH (CREW CAB)
Connector Color	WHITE

1	2	3	4	5	6	7
8	9	10	11	12	13	14
15	16					



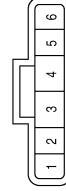
Terminal No.	Color of Wire	Signal Name
1	R/Y	-
2	W/B	-
3	R/B	-
4	L	LOCK
5	L	-



Terminal No.	Color of Wire	Signal Name
1	G/W	-
2	G/R	-
3	G/Y	-
4	BR	-
5	O	-
6	W/B	-

Terminal No.	Color of Wire	Signal Name
6	R	UNLOCK
7	R	-
8	G/R	-
9	O	-
10	W/L	-
11	G/W	-
12	-	-
13	G/Y	-
14	LG/W	ANTI PINCH SERIAL LINK
15	BR	-
16	-	-

Connector No.	D14
Connector Name	FRONT DOOR LOCK ASSEMBLY LH
Connector Color	BLACK



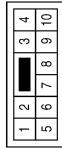
Terminal No.	Color of Wire	Signal Name
1	L	LOCK
5	B	GND
6	R	UNLOCK

ABKIA0032GB

FRONT POWER WINDOW SWITCH

< ECU DIAGNOSIS >

Connector No.	D101
Connector Name	WIRE TO WIRE
Connector Color	WHITE



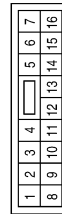
Terminal No.	Color of Wire	Signal Name
1	W/R	-
3	B	-
6	SHIELD	-
7	LG/W	-

Connector No.	D104
Connector Name	FRONT POWER WINDOW MOTOR RH
Connector Color	GRAY



Terminal No.	Color of Wire	Signal Name
1	G	-
2	L	-
3	G/Y	-
4	G/R	-
5	G/W	-
6	W/B	-

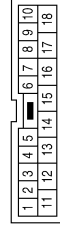
Connector No.	D105
Connector Name	POWER WINDOW AND DOOR LOCK/UNLOCK SWITCH RH
Connector Color	WHITE



Terminal No.	Color of Wire	Signal Name
1	-	-
2	-	-
3	W/B	-
4	G/R	-
5	-	-
6	-	-
7	-	-

Terminal No.	Color of Wire	Signal Name
8	L	-
9	G	-
10	W/R	-
11	B	GND
12	G/Y	-
13	-	-
14	-	-
15	G/W	-
16	LG/W	ANTI PINCH SERIAL LINK

Connector No.	D201
Connector Name	WIRE TO WIRE
Connector Color	WHITE



Terminal No.	Color of Wire	Signal Name
8	O/L	-
11	B	-
16	W/L	-
17	R/B	-
18	R/Y	-

ABKIA0033GB

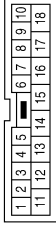
A
B
C
D
E
F
G
H
I
J
K
L
M
N
O
P

PWC

FRONT POWER WINDOW SWITCH

< ECU DIAGNOSIS >

Connector No.	D301
Connector Name	WIRE TO WIRE
Connector Color	WHITE



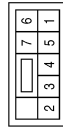
Terminal No.	Color of Wire	Signal Name
8	O/L	-
11	B	-
16	W/L	-
17	L	-
18	R	-

Connector No.	D204
Connector Name	REAR POWER WINDOW MOTOR LH
Connector Color	GRAY



Terminal No.	Color of Wire	Signal Name
1	G	-
2	L	-

Connector No.	D203
Connector Name	REAR POWER WINDOW SWITCH LH
Connector Color	WHITE



Terminal No.	Color of Wire	Signal Name
1	W/L	BAT
2	R/Y	UP
3	R/B	DOWN
4	G	DOWN
5	L	UP
6	O/L	-
7	B	-

Connector No.	D304
Connector Name	REAR POWER WINDOW MOTOR RH
Connector Color	GRAY



Terminal No.	Color of Wire	Signal Name
1	Y/B	-
2	BR	-

Connector No.	D303
Connector Name	REAR POWER WINDOW SWITCH RH
Connector Color	WHITE



Terminal No.	Color of Wire	Signal Name
1	W/L	BAT
2	R	UP
3	L	DOWN
4	Y/B	DOWN
5	BR	UP
6	O/L	-
7	B	-

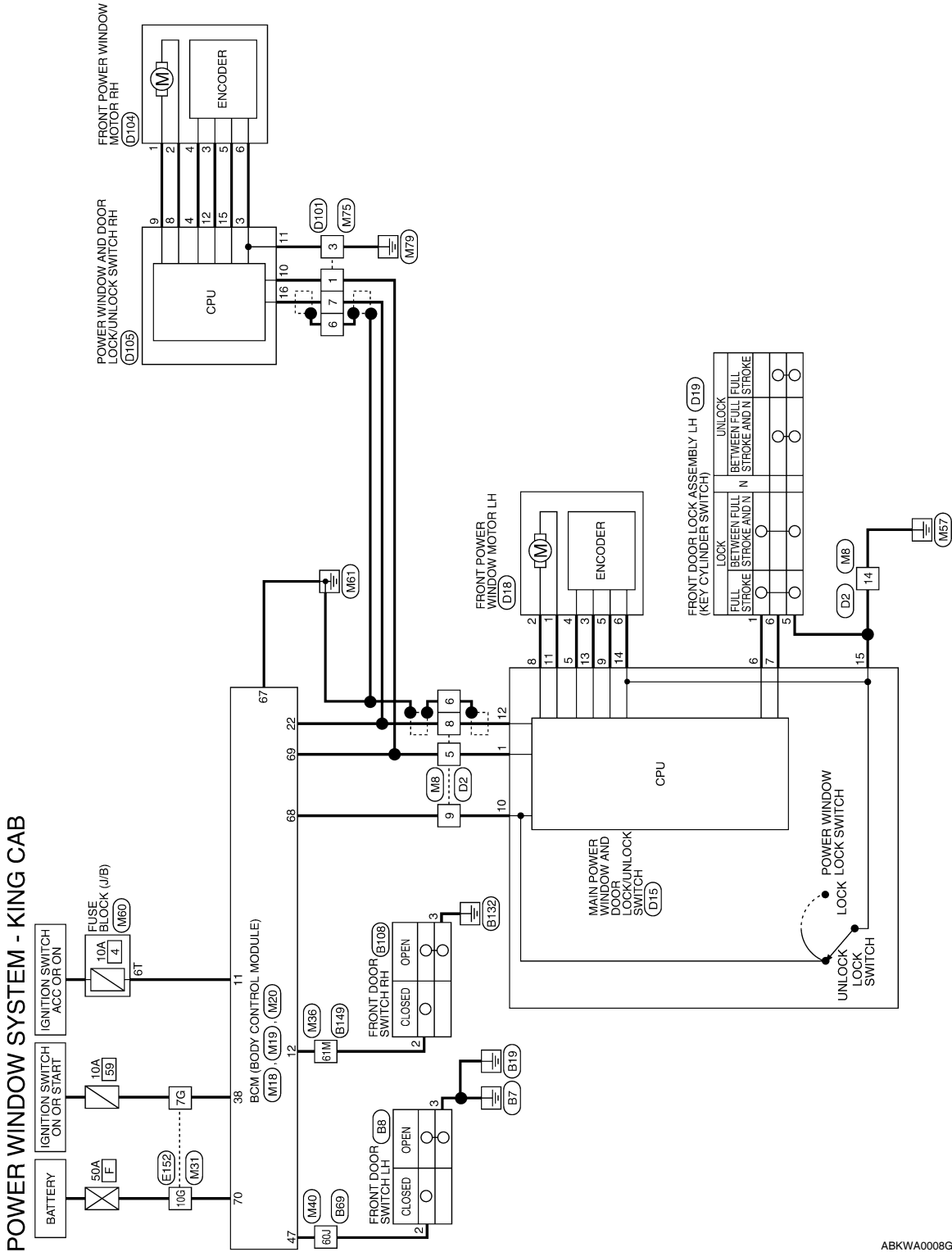
AAKIA0119GB

FRONT POWER WINDOW SWITCH

< ECU DIAGNOSIS >

Wiring Diagram (King Cab)

INFOID:000000004160649



A
B
C
D
E
F
G
H
I
J
L
M
N
O
P

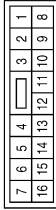
PWC

FRONT POWER WINDOW SWITCH

< ECU DIAGNOSIS >

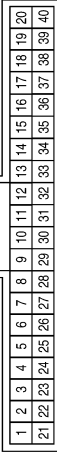
POWER WINDOW SYSTEM CONNECTORS - KING CAB

Connector No.	M8
Connector Name	WIRE TO WIRE
Connector Color	WHITE



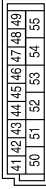
Terminal No.	Color of Wire	Signal Name
5	W/R	-
6	SHIELD	-
8	G	-
9	W/L	-
14	B	-

Connector No.	M18
Connector Name	BCM (BODY CONTROL MODULE)
Connector Color	WHITE



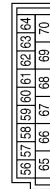
Terminal No.	Color of Wire	Signal Name
11	O	ACC SW
12	R/L	DOOR SW (AS)
22	G	ANTI-PINCH SERIAL LINK (RX, TX)
38	W/L	IGN SW

Connector No.	M19
Connector Name	BCM (BODY CONTROL MODULE)
Connector Color	WHITE



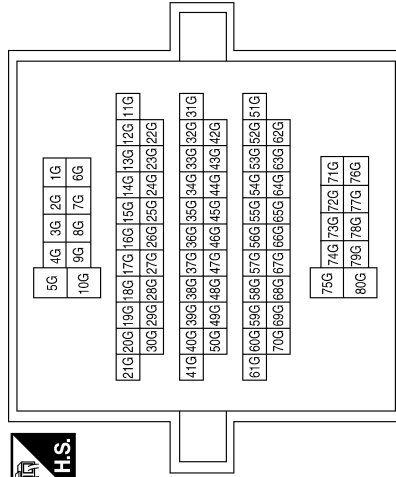
Terminal No.	Color of Wire	Signal Name
47	SB	DOOR SW (DR)

Connector No.	M20
Connector Name	BCM (BODY CONTROL MODULE)
Connector Color	BLACK



Terminal No.	Color of Wire	Signal Name
67	B	GND (POWER)
68	W/L	POWER WINDOW POWER SUPPLY (RAP)
69	W/R	POWER WINDOW POWER SUPPLY (BAT)
70	W/B	BATT (F/L)

Connector No.	M31
Connector Name	WIRE TO WIRE
Connector Color	WHITE



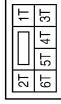
Terminal No.	Color of Wire	Signal Name
7G	W/L	-
10G	W/B	-

ABKIA0026GB

FRONT POWER WINDOW SWITCH

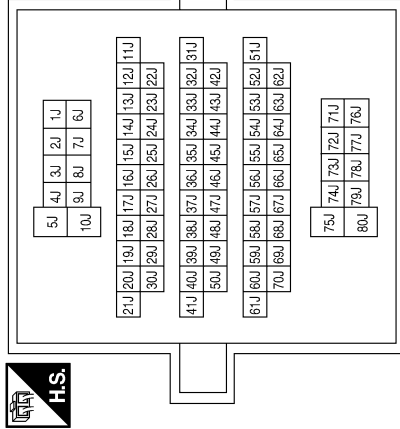
< ECU DIAGNOSIS >

Connector No.	M60
Connector Name	FUSE BLOCK (J/B)
Connector Color	WHITE



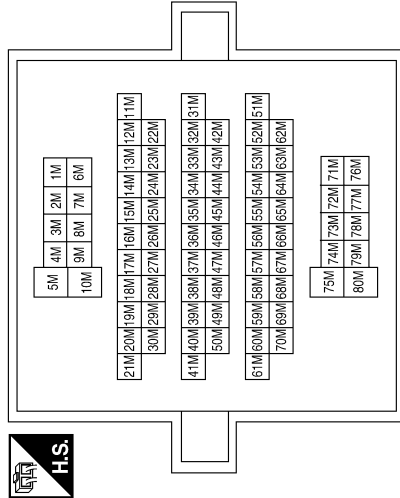
Terminal No.	Color of Wire	Signal Name
6T	O	-

Connector No.	M40
Connector Name	WIRE TO WIRE
Connector Color	WHITE



Terminal No.	Color of Wire	Signal Name
60J	SB	-

Connector No.	M36
Connector Name	WIRE TO WIRE
Connector Color	WHITE



Terminal No.	Color of Wire	Signal Name
61M	R/L	-

Connector No.	M75
Connector Name	WIRE TO WIRE
Connector Color	WHITE



Terminal No.	Color of Wire	Signal Name
1	W/R	-
3	B	-
6	SHIELD	-
7	G	-

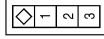
AAKIA0120GB

A
B
C
D
E
F
G
H
I
J
L
M
N
O
P

FRONT POWER WINDOW SWITCH

< ECU DIAGNOSIS >

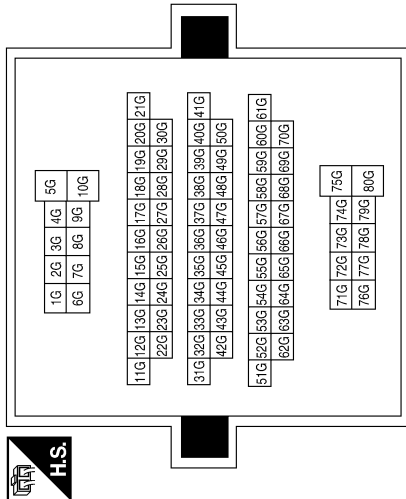
Connector No.	B8
Connector Name	FRONT DOOR SWITCH LH
Connector Color	WHITE



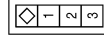
Terminal No.	Color of Wire	Signal Name
2	SB	-
3	B	-

Terminal No.	Color of Wire	Signal Name
7G	LW	-
10G	W/B	-

Connector No.	E152
Connector Name	WIRE TO WIRE
Connector Color	WHITE



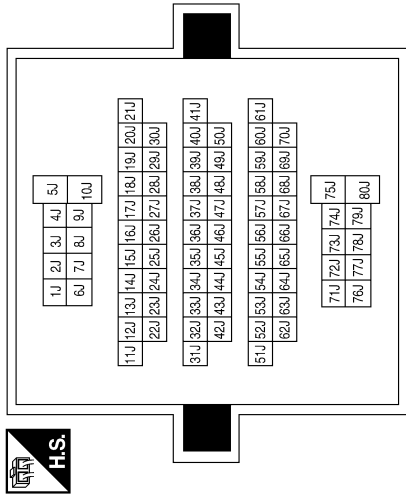
Connector No.	B108
Connector Name	FRONT DOOR SWITCH RH
Connector Color	WHITE



Terminal No.	Color of Wire	Signal Name
2	R/L	-
3	B	-

Terminal No.	Color of Wire	Signal Name
60J	SB	-

Connector No.	B69
Connector Name	WIRE TO WIRE
Connector Color	WHITE

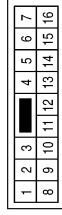


AAKIA0121GB

FRONT POWER WINDOW SWITCH

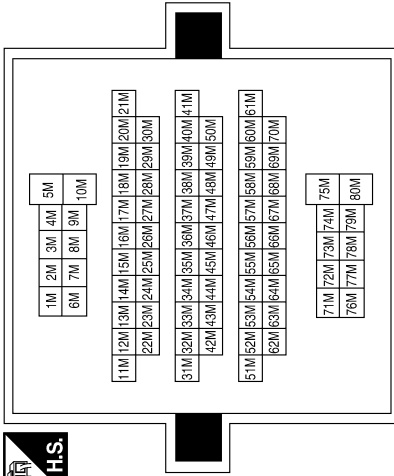
< ECU DIAGNOSIS >

Connector No.	D2
Connector Name	WIRE TO WIRE
Connector Color	WHITE



Terminal No.	Color of Wire	Signal Name
61M	R/L	-

Connector No.	B149
Connector Name	WIRE TO WIRE
Connector Color	WHITE



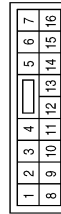
Terminal No.	Color of Wire	Signal Name
5	W/R	-
6	SHIELD	-
8	LG/W	-
9	W/L	-
14	B	-

Connector No.	D18
Connector Name	FRONT POWER WINDOW MOTOR LH
Connector Color	GRAY



Terminal No.	Color of Wire	Signal Name
6	L	LOCK
7	R	UNLOCK
8	G/R	-
9	O	-
10	W/L	-
11	G/W	-
12	LG/W	ANTI PINCH SERIAL LINK
13	G/Y	-
14	W/B	-
15	B	GND
16	-	-

Connector No.	D15
Connector Name	MAIN POWER WINDOW AND DOOR LOCK/UNLOCK SWITCH (KING CAB)
Connector Color	WHITE



Terminal No.	Color of Wire	Signal Name
1	W/R	-
2	-	-
3	-	-
4	-	-
5	BR	-

AAKIA0122GB

A
B
C
D
E
F
G
H
I
J
L
M
N
O
P

FRONT POWER WINDOW SWITCH

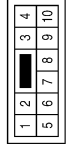
< ECU DIAGNOSIS >

Connector No.	D104
Connector Name	FRONT POWER WINDOW MOTOR RH
Connector Color	GRAY



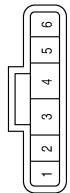
Terminal No.	Color of Wire	Signal Name
1	G	-
2	L	-
3	G/Y	-
4	G/R	-
5	G/W	-
6	W/B	-

Connector No.	D101
Connector Name	WIRE TO WIRE
Connector Color	WHITE



Terminal No.	Color of Wire	Signal Name
1	W/R	-
3	B	-
6	SHIELD	-
7	LG/W	-

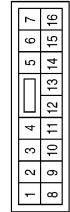
Connector No.	D19
Connector Name	FRONT DOOR LOCK ASSEMBLY LH
Connector Color	BLACK



Terminal No.	Color of Wire	Signal Name
1	L	LOCK
5	B	GND
6	R	UNLOCK

Terminal No.	Color of Wire	Signal Name
9	G	-
10	W/R	-
11	B	GND
12	G/Y	-
13	-	-
14	-	-
15	G/W	-
16	LG/W	ANTIPINCH SERIAL LINK

Connector No.	D105
Connector Name	POWER WINDOW AND DOOR LOCK/UNLOCK SWITCH RH
Connector Color	WHITE



Terminal No.	Color of Wire	Signal Name
1	-	-
2	-	-
3	W/B	-
4	G/R	-
5	-	-
6	-	-
7	-	-
8	L	-

Fail Safe

FAIL-SAFE CONTROL

Switches to fail-safe control when malfunction is detected in encoder signal that detects up/down speed and direction of door glass. Switches to fail-safe control when error beyond regulation value is detected between the fully closed position and the actual position of the glass.

ABKIA0027GB

INFOID:000000004160650

FRONT POWER WINDOW SWITCH

< ECU DIAGNOSIS >

Error	Error condition
Pulse sensor malfunction	When only one side of pulse signal is being detected for more than the specified value.
Both pulse sensors malfunction	When both pulse signals have not been detected for more than the specified value during glass open/close operation.
Pulse direction malfunction	When the pulse signal that is detected during glass open/close operation detects the opposite condition of power window motor operating direction.
Glass recognition position malfunction 1	When it detects the error between glass fully closed position in power window switch memory and actual fully closed position during glass open/close operation is more than the specified value.
Glass recognition position malfunction 2	When it detects pulse count more than the value of glass full stroke during glass open/close operation.
Malfunction of not yet updated closed position of glass	When glass open/close operation is continuously performed without fully closing more than the specified value (approximately 10 strokes).

It changes to condition before initialization and the following functions do not operate when switched to fail-safe control.

- Auto-up operation
- Anti-pinch function
- Retained power function

Perform initial operation to recover when switched to fail-safe mode. However, it switches back to fail-safe control when malfunction is found in power window switch or in motor.

A
B
C
D
E
F
G
H
I
J
L
M
N
O
P

PWC

NONE OF THE POWER WINDOWS CAN BE OPERATED USING ANY SWITCH

< SYMPTOM DIAGNOSIS >

SYMPTOM DIAGNOSIS

NONE OF THE POWER WINDOWS CAN BE OPERATED USING ANY SWITCH

Diagnosis Procedure

INFOID:000000003788300

1. CHECK BCM POWER SUPPLY AND GROUND CIRCUIT

Check BCM power supply and ground circuit.

Refer to [BCS-30, "Diagnosis Procedure"](#).

Is the inspection result normal?

YES >> GO TO 2

NO >> Repair or replace the malfunctioning parts.

2. CHECK MAIN POWER WINDOW AND DOOR LOCK/UNLOCK SWITCH POWER SUPPLY AND GROUND CIRCUIT

Check power window switch main power supply and ground circuit.

Refer to [PWC-12, "POWER WINDOW MAIN SWITCH : Component Function Check"](#) (Crew Cab) or [PWC-21, "POWER WINDOW MAIN SWITCH : Component Function Check"](#) (King Cab).

Is the inspection result normal?

YES >> GO TO 3

NO >> Repair or replace the malfunctioning parts.

3. CHECK MAIN POWER WINDOW AND DOOR LOCK/UNLOCK SWITCH SERIAL CIRCUIT

Check main power window and door lock/unlock switch serial circuit.

Refer to [PWC-12, "POWER WINDOW MAIN SWITCH : Component Function Check"](#) (Crew Cab) or [PWC-21, "POWER WINDOW MAIN SWITCH : Component Function Check"](#) (King Cab).

Is the inspection result normal?

YES >> GO TO 4

NO >> Repair or replace the malfunctioning parts.

4. CHECK MAIN POWER WINDOW AND DOOR LOCK/UNLOCK SWITCH

Check main power window and door lock/unlock switch.

Refer to [PWC-12, "POWER WINDOW MAIN SWITCH : Component Function Check"](#) (Crew Cab) or [PWC-21, "POWER WINDOW MAIN SWITCH : Component Function Check"](#) (King Cab).

Is the inspection result normal?

YES >> Inspection End.

NO >> Check intermittent incident. Refer to [GI-38, "Intermittent Incident"](#).

DRIVER SIDE POWER WINDOW ALONE DOES NOT OPERATE

< SYMPTOM DIAGNOSIS >

DRIVER SIDE POWER WINDOW ALONE DOES NOT OPERATE

Diagnosis Procedure

INFOID:000000003788301

1. CHECK FRONT POWER WINDOW MOTOR LH

Check front power window motor LH.

Refer to [PWC-25, "DRIVER SIDE : Component Function Check"](#).

Is the inspection result normal?

YES >> Inspection End.

NO >> Check intermittent incident. Refer to [GI-38, "Intermittent Incident"](#).

A
B
C
D
E
F
G
H
I
J
L
M
N
O
P

PWC

FRONT PASSENGER SIDE POWER WINDOW ALONE DOES NOT OPERATE

< SYMPTOM DIAGNOSIS >

FRONT PASSENGER SIDE POWER WINDOW ALONE DOES NOT OPERATE

Diagnosis Procedure

INFOID:000000003788302

1. CHECK POWER WINDOW AND DOOR LOCK/UNLOCK SWITCH RH

Check power window and door lock/unlock switch RH.

Refer to [PWC-16, "FRONT POWER WINDOW SWITCH : Component Function Check"](#) (Crew Cab) or [PWC-22, "FRONT POWER WINDOW SWITCH : Component Function Check"](#) (King Cab).

Is the inspection result normal?

YES >> GO TO 2

NO >> Repair or replace the malfunctioning parts.

2. CHECK POWER WINDOW AND DOOR LOCK/UNLOCK SWITCH RH SERIAL LINK CIRCUIT

Check power window and door lock/unlock switch RH serial link circuit.

Refer to [PWC-56, "FRONT POWER WINDOW SWITCH : Component Function Check"](#).

Is the inspection result normal?

YES >> GO TO 3

NO >> Repair or replace the malfunctioning parts.

3. CHECK FRONT POWER WINDOW MOTOR RH CIRCUIT

Check front power window motor RH circuit.

Refer to [PWC-26, "PASSENGER SIDE : Component Function Check"](#).

Is the inspection result normal?

YES >> Inspection End.

NO >> Check intermittent incident. Refer to [GI-38, "Intermittent Incident"](#).

REAR LH SIDE POWER WINDOW ALONE DOES NOT OPERATE

< SYMPTOM DIAGNOSIS >

REAR LH SIDE POWER WINDOW ALONE DOES NOT OPERATE

Diagnosis Procedure

INFOID:000000003788303

1. CHECK REAR POWER WINDOW SWITCH LH

Check rear power window switch LH.

Refer to [PWC-18, "REAR POWER WINDOW SWITCH : Component Function Check"](#).

Is the inspection result normal?

YES >> GO TO 2

NO >> Repair or replace the malfunctioning parts.

2. CHECK REAR POWER WINDOW MOTOR LH

Check rear power window motor LH.

Refer to [PWC-28, "REAR LH : Component Function Check"](#).

Is the inspection result normal?

YES >> Inspection End.

NO >> Check intermittent incident. Refer to [GI-38, "Intermittent Incident"](#).

A
B
C
D
E
F
G
H
I
J
L
M
N
O
P

PWC

REAR RH SIDE POWER WINDOW ALONE DOES NOT OPERATE

< SYMPTOM DIAGNOSIS >

REAR RH SIDE POWER WINDOW ALONE DOES NOT OPERATE

Diagnosis Procedure

INFOID:000000003788304

1. CHECK REAR POWER WINDOW SWITCH RH

Check rear power window switch RH.

Refer to [PWC-18, "REAR POWER WINDOW SWITCH : Component Function Check"](#).

Is the inspection result normal?

YES >> GO TO 2

NO >> Repair or replace the malfunctioning parts.

2. CHECK REAR POWER WINDOW MOTOR RH

Check rear power window motor RH.

Refer to [PWC-29, "REAR RH : Component Function Check"](#).

Is the inspection result normal?

YES >> Inspection End.

NO >> Check intermittent incident. Refer to [GI-38, "Intermittent Incident"](#).

ANTI-PINCH SYSTEM DOES NOT OPERATE NORMALLY (DRIVER SIDE)

< SYMPTOM DIAGNOSIS >

ANTI-PINCH SYSTEM DOES NOT OPERATE NORMALLY (DRIVER SIDE)

Diagnosis Procedure

INFOID:000000003788305

1. CHECK DOOR WINDOW SLIDING PART

- A foreign material adheres to window glass or glass run rubber.
- Glass run rubber wear or deformation.
- Sash is tilted too much or not enough.

Is the inspection result normal?

YES >> GO TO 2

NO >> Repair or replace the malfunctioning parts.

2. CHECK ENCODER CIRCUIT

Check encoder circuit.

Refer to [PWC-32. "DRIVER SIDE : Component Function Check"](#) (Crew Cab) or [PWC-38. "DRIVER SIDE : Component Function Check"](#) (King Cab).

Is the inspection result normal?

YES >> Inspection End.

NO >> Check intermittent incident. Refer to [GI-38. "Intermittent Incident"](#).

A
B
C
D
E
F
G
H
I
J
L
M
N
O
P

PWC

ANTI-PINCH SYSTEM DOES NOT OPERATE NORMALLY (PASSENGER SIDE)

< SYMPTOM DIAGNOSIS >

ANTI-PINCH SYSTEM DOES NOT OPERATE NORMALLY (PASSENGER SIDE)

Diagnosis Procedure

INFOID:000000003788306

1. CHECK DOOR WINDOW SLIDING PART

- A foreign material adheres to window glass or glass run rubber.
- Glass run rubber wear or deformation.
- Sash is tilted too much or not enough.

Is the inspection result normal?

YES >> GO TO 2

NO >> Repair or replace the malfunctioning parts.

2. CHECK ENCODER CIRCUIT

Check encoder circuit.

Refer to [PWC-34. "PASSENGER SIDE : Component Function Check"](#) (Crew Cab) or [PWC-40. "PASSENGER SIDE : Component Function Check"](#) (King Cab).

Is the inspection result normal?

YES >> Inspection End.

NO >> Check intermittent incident. Refer to [GI-38. "Intermittent Incident"](#).

AUTO OPERATION DOES NOT OPERATE BUT MANUAL OPERATES NORMALLY (DRIVER SIDE)

< SYMPTOM DIAGNOSIS >

AUTO OPERATION DOES NOT OPERATE BUT MANUAL OPERATES NORMALLY (DRIVER SIDE)

Diagnosis Procedure

INFOID:000000003788307

1. CHECK ENCODER

Check encoder.

Refer to [PWC-32, "DRIVER SIDE : Component Function Check"](#) (Crew Cab) or [PWC-38, "DRIVER SIDE : Component Function Check"](#) (King Cab).

Is the inspection result normal?

YES >> Inspection End.

NO >> Check intermittent incident. Refer to [GI-38, "Intermittent Incident"](#).

A
B
C
D
E
F
G
H
I
J
L
M
N
O
P

PWC

AUTO OPERATION DOES NOT OPERATE BUT MANUAL OPERATES NORMALLY (PASSENGER SIDE)

< SYMPTOM DIAGNOSIS >

AUTO OPERATION DOES NOT OPERATE BUT MANUAL OPERATES NORMALLY (PASSENGER SIDE)

Diagnosis Procedure

INFOID:000000003788308

1. CHECK ENCODER

Check encoder.

Refer to [PWC-34, "PASSENGER SIDE : Component Function Check"](#) (Crew Cab) or [PWC-40, "PASSENGER SIDE : Component Function Check"](#) (King Cab).

Is the inspection result normal?

YES >> Inspection End.

NO >> Check intermittent incident. Refer to [GI-38, "Intermittent Incident"](#).

POWER WINDOW RETAINED POWER OPERATION DOES NOT OPERATE PROPERLY

< SYMPTOM DIAGNOSIS >

POWER WINDOW RETAINED POWER OPERATION DOES NOT OPERATE PROPERLY

Diagnosis Procedure

INFOID:000000003788309

1. CHECK FRONT DOOR SWITCH

Check front door switch.

Refer to [PWC-44, "Component Function Check"](#).

Is the inspection result normal?

YES >> Inspection End.

NO >> Check intermittent incident. Refer to [GI-38, "Intermittent Incident"](#).

A
B
C
D
E
F
G
H
I
J
L
M
N
O
P

PWC

DOES NOT OPERATE BY KEY CYLINDER SWITCH

< SYMPTOM DIAGNOSIS >

DOES NOT OPERATE BY KEY CYLINDER SWITCH

Diagnosis Procedure

INFOID:000000003788310

1. CHECK FRONT DOOR LOCK ASSEMBLY LH (KEY CYLINDER SWITCH)

Check front door lock assembly LH (key cylinder switch).

Refer to [PWC-48, "Component Function Check"](#) (Crew Cab) or [PWC-51, "Component Function Check"](#) (King Cab).

Is the inspection result normal?

YES >> Inspection End.

NO >> Check intermittent incident. Refer to [GI-38, "Intermittent Incident"](#).

KEYLESS POWER WINDOW DOWN DOES NOT OPERATE

< SYMPTOM DIAGNOSIS >

KEYLESS POWER WINDOW DOWN DOES NOT OPERATE

Diagnosis Procedure

INFOID:000000003788311

1. CHECK KEYFOB FUNCTION

Check keyfob function.

Refer to [BCS-18. "MULTIREMOTE ENT : CONSULT-III Function \(BCM - MULTIREMOTE ENT\)"](#) with remote keyless entry system.

Is the inspection result normal?

YES >> Check intermittent incident. Refer to [GI-38. "Intermittent Incident"](#).

NO >> Replace BCM. Refer to [BCS-53. "Removal and Installation"](#).

A
B
C
D
E
F
G
H
I
J
L
M
N
O
P

PWC

POWER WINDOW LOCK SWITCH DOES NOT FUNCTION

< SYMPTOM DIAGNOSIS >

POWER WINDOW LOCK SWITCH DOES NOT FUNCTION

Diagnosis Procedure

INFOID:000000003788312

1. REPLACE MAIN POWER WINDOW AND DOOR LOCK/UNLOCK SWITCH

Replace main power window and door lock/unlock switch.

Refer to [PWC-133, "Removal and Installation"](#).

Is the inspection result normal?

YES >> Inspection End.

NO >> Check intermittent incident. Refer to [GI-38, "Intermittent Incident"](#).

REAR POWER DROP GLASS DOES NOT OPERATE

< SYMPTOM DIAGNOSIS >

REAR POWER DROP GLASS DOES NOT OPERATE

Diagnosis Procedure

INFOID:000000003788313

1. CHECK BCM POWER SUPPLY AND GROUND CIRCUIT

Check BCM power supply and ground circuit.
Refer to [BCS-30, "Diagnosis Procedure"](#).

Is the inspection result normal?

- YES >> GO TO 2
- NO >> Repair or replace the malfunctioning parts.

2. CHECK REAR POWER DROP GLASS SWITCH

Check rear power drop glass switch.
Refer to [PWC-59, "Rear Power Drop Glass Circuit Inspection"](#).

Is the inspection result normal?

- YES >> GO TO 3
- NO >> Repair or replace the malfunctioning parts.

3. CHECK REAR POWER DROP GLASS MOTOR CIRCUIT

Check rear power drop glass motor circuit.
Refer to [PWC-59, "Rear Power Drop Glass Circuit Inspection"](#).

Is the inspection result normal?

- YES >> GO TO 4
- NO >> Repair or replace the malfunctioning parts.

4. CHECK REAR POWER DROP GLASS RELAYS

Check rear power drop glass relays.
Refer to [PWC-60, "Rear Power Drop Glass Down Relay Check"](#) and [PWC-62, "Rear Power Drop Glass Up Relay Check"](#).

Is the inspection result normal?

- YES >> Inspection End.
- NO >> Check intermittent incident. Refer to [GI-38, "Intermittent Incident"](#).

A
B
C
D
E
F
G
H
I
J
L
M
N
O
P

PWC

PRECAUTIONS

< PRECAUTION >

PRECAUTION

PRECAUTIONS

Precaution for Supplemental Restraint System (SRS) "AIR BAG" and "SEAT BELT PRE-TENSIONER"

INFOID:000000003788314

The Supplemental Restraint System such as "AIR BAG" and "SEAT BELT PRE-TENSIONER", used along with a front seat belt, helps to reduce the risk or severity of injury to the driver and front passenger for certain types of collision. This system includes seat belt switch inputs and dual stage front air bag modules. The SRS system uses the seat belt switches to determine the front air bag deployment, and may only deploy one front air bag, depending on the severity of a collision and whether the front occupants are belted or unbelted. Information necessary to service the system safely is included in the SR and SB section of this Service Manual.

WARNING:

- To avoid rendering the SRS inoperative, which could increase the risk of personal injury or death in the event of a collision which would result in air bag inflation, all maintenance must be performed by an authorized NISSAN/INFINITI dealer.
- Improper maintenance, including incorrect removal and installation of the SRS, can lead to personal injury caused by unintentional activation of the system. For removal of Spiral Cable and Air Bag Module, see the SR section.
- Do not use electrical test equipment on any circuit related to the SRS unless instructed to in this Service Manual. SRS wiring harnesses can be identified by yellow and/or orange harnesses or harness connectors.

POWER WINDOW MAIN SWITCH

< ON-VEHICLE REPAIR >

ON-VEHICLE REPAIR

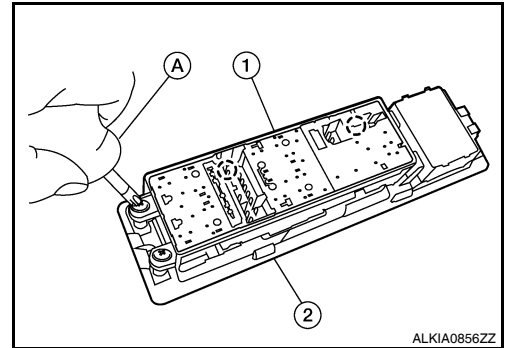
POWER WINDOW MAIN SWITCH

Removal and Installation

INFOID:000000003788315

REMOVAL

1. Remove the power window main switch assembly from the front door finisher LH. Refer to [INT-10](#) "[Removal and Installation](#)".
2. Remove the screws from the power window main switch (1) using suitable tool (A). Then release the power window main switch (1) from the finisher (2).



INSTALLATION

Installation is in the reverse order of removal.

A
B
C
D
E
F
G
H
I
J
L
M
N
O
P

PWC

FRONT POWER WINDOW SWITCH

< ON-VEHICLE REPAIR >

FRONT POWER WINDOW SWITCH

Removal and Installation

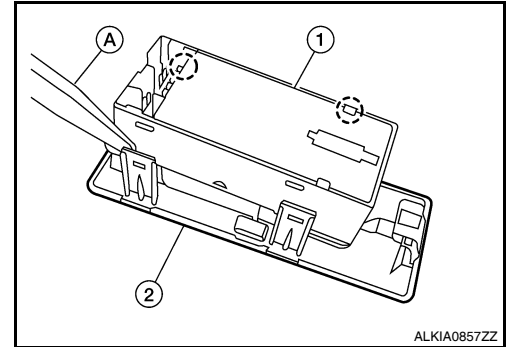
INFOID:000000003788316

REMOVAL

1. Remove the front power window switch assembly from the front door finisher RH. Refer to [INT-10](#), "[Removal and Installation](#)".
2. Remove the front power window switch (1) from the power window switch finisher (2) by releasing the tabs using suitable tool (A).

CAUTION:

Wrap a cloth around suitable tools to protect components from damage.



INSTALLATION

Installation is in the reverse order of removal.

REAR POWER WINDOW SWITCH

< ON-VEHICLE REPAIR >

REAR POWER WINDOW SWITCH

Removal and Installation - Rear Door Switch

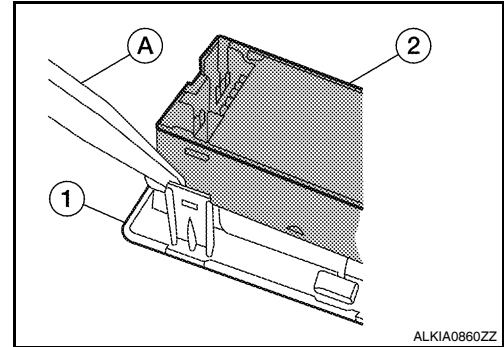
INFOID:000000003788317

REMOVAL

1. Remove the rear power window switch assembly from the rear door finisher. Refer to [INT-10. "Removal and Installation"](#).
2. Remove the rear power window switch (2) from the power window switch finisher (1) by releasing the tabs using suitable tool (A).

CAUTION:

Wrap a cloth around suitable tools to protect components from damage.



INSTALLATION

Installation is in the reverse order of removal.

Removal and Installation - Power Drop Glass Switch

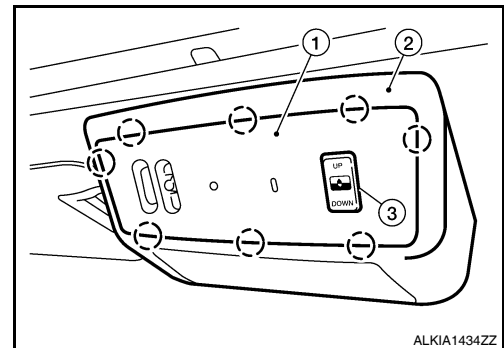
INFOID:000000003788318

REMOVAL

1. Release the pawls and remove the overhead console switch panel (1) from the overhead console (2).
2. Disconnect the power drop glass switch (3).
3. Remove the power drop glass switch (3) from the overhead console switch panel (1) by releasing the tabs using suitable tool.

CAUTION:

Wrap a cloth around suitable tools to protect components from damage.



INSTALLATION

Installation is in the reverse order of removal.

A
B
C
D
E
F
G
H
I
J
L
M
N
O
P

PWC