

SECTION **RSU**
 REAR SUSPENSION

A
 B
 C
 D

RSU

CONTENTS

PRECAUTIONS	2	TOE-IN INSPECTION	7	F
Precautions for Supplemental Restraint System (SRS) "AIR BAG" and "SEAT BELT PRE-TENSIONER"	2	Components	8	
Precautions for Rear Suspension	2	SHOCK ABSORBER	9	G
PREPARATION	3	Removal and Installation	9	
Commercial Service Tools	3	REMOVAL	9	
NOISE, VIBRATION AND HARSHNESS (NVH)		INSPECTION AFTER REMOVAL	9	
TROUBLESHOOTING	4	INSTALLATION	10	H
NVH Troubleshooting Chart	4	COIL SPRING	11	
REAR SUSPENSION ASSEMBLY	5	Removal and Installation	11	
On-Vehicle Inspection and Service	5	REMOVAL	11	
SHOCK ABSORBER INSPECTION	5	INSPECTION AFTER REMOVAL	11	I
Wheel Alignment Inspection	5	INSTALLATION	11	
DESCRIPTION	5	REAR SUSPENSION BEAM	12	J
PRELIMINARY	5	Removal and Installation	12	
GENERAL INFORMATION AND RECOMMENDATIONS	5	REMOVAL	12	
THE ALIGNMENT PROCESS	5	INSPECTION AFTER REMOVAL	12	
CAMBER INSPECTION	6	INSTALLATION	12	K
		SERVICE DATA AND SPECIFICATIONS (SDS)	13	
		Wheel Alignment (Unladen*)	13	L
		Wheelarch Height (Unladen*)	13	

M

PRECAUTIONS

PRECAUTIONS

PF0:00001

Precautions for Supplemental Restraint System (SRS) “AIR BAG” and “SEAT BELT PRE-TENSIONER”

EES002FR

The Supplemental Restraint System such as “AIR BAG” and “SEAT BELT PRE-TENSIONER”, used along with a front seat belt, helps to reduce the risk or severity of injury to the driver and front passenger for certain types of collision. This system includes seat belt switch inputs and dual stage front air bag modules. The SRS system uses the seat belt switches to determine the front air bag deployment, and may only deploy one front air bag, depending on the severity of a collision and whether the front occupants are belted or unbelted. Information necessary to service the system safely is included in the SRS and SB section of this Service Manual.

WARNING:

- **To avoid rendering the SRS inoperative, which could increase the risk of personal injury or death in the event of a collision which would result in air bag inflation, all maintenance must be performed by an authorized NISSAN/INFINITI dealer.**
- **Improper maintenance, including incorrect removal and installation of the SRS, can lead to personal injury caused by unintentional activation of the system. For removal of Spiral Cable and Air Bag Module, see the SRS section.**
- **Do not use electrical test equipment on any circuit related to the SRS unless instructed to in this Service Manual. SRS wiring harnesses can be identified by yellow and/or orange harnesses or harness connectors.**

Precautions for Rear Suspension

EES002FS

- When installing the rubber bushings, the final tightening must be done under unladen condition and with the tires on level ground. Oil will shorten the life of the rubber bushings, so wipe off any spilled oil immediately.
- Unladen condition means the fuel tank, engine coolant and lubricants are at the full specification. The spare tire, jack, hand tools, and mats are in their designated positions.
- After installing suspension components, check the wheel alignment.
- Caulking nuts are not reusable. Always use new caulking nuts for installation. New caulking nuts are pre-oiled, do not apply any additional lubrication.

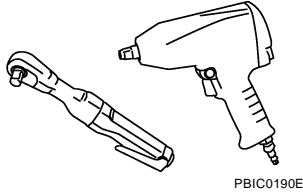
PREPARATION

PREPARATION

PF0:00002

Commercial Service Tools

EES002CV

Tool name	Description
Power tool 	Removing wheel nuts

A
B
C
D

RSU

F
G
H
I
J
K
L
M

NOISE, VIBRATION AND HARSHNESS (NVH) TROUBLESHOOTING

NOISE, VIBRATION AND HARSHNESS (NVH) TROUBLESHOOTING

PF:00003

NVH Troubleshooting Chart

EES002CW

Use chart below to help you find the cause of the symptom. If necessary, repair or replace these parts.

Symptom		Possible cause and SUSPECTED PARTS											Reference page	
		Improper installation, looseness	Shock absorber deformation, damage or deflection	Bushing or mounting deterioration	Parts interference	Spring fatigue	Suspension looseness	Incorrect wheel alignment	REAR AXLE	TIRES	ROAD WHEEL	BRAKES		STEERING
Symptom	Noise	x	x	x	x	x	x		x	x	x	x	x	RSU-8 RSU-9 RSU-9 RSU-9 RSU-11 RSU-8 RSU-5 RSU-4, "NOISE, VIBRATION AND HARSHNESS (NVH) TROUBLESHOOTING" WT-4, "NOISE, VIBRATION AND HARSHNESS (NVH) TROUBLESHOOTING" WT-4, "NOISE, VIBRATION AND HARSHNESS (NVH) TROUBLESHOOTING" BR-5, "NOISE, VIBRATION AND HARSHNESS (NVH) TROUBLESHOOTING" PS-5, "NOISE, VIBRATION AND HARSHNESS (NVH) TROUBLESHOOTING"
	Shake	x	x	x	x		x		x	x	x	x	x	
	Vibration	x	x	x	x	x			x	x			x	
	Shimmy	x	x	x	x			x	x	x	x	x	x	
	Judder	x	x	x					x	x	x	x	x	
	Poor quality ride or handling	x	x	x	x	x		x	x	x	x			

x: Applicable

REAR SUSPENSION ASSEMBLY

REAR SUSPENSION ASSEMBLY

PFP:55020

On-Vehicle Inspection and Service

EES002CX

Make sure the mounting conditions (looseness, backlash) of each component and component conditions (wear, damage) are within specifications.

SHOCK ABSORBER INSPECTION

Check shock absorber for oil leakage, damage and replace it if necessary.

Wheel Alignment Inspection DESCRIPTION

EES002CY

Measure wheel alignment under unladen conditions.

NOTE:

“Unladen conditions” means that fuel, engine coolant, and lubricant are full. Spare tire, jack, hand tools and mats are in designated positions.

PRELIMINARY

Check the following:

1. Tires for improper air pressure and wear.
2. Road wheels for runout. Refer to [WT-5, "ROAD WHEEL"](#) .
3. Wheel bearing axial end play. Refer to [RAX-4, "REAR WHEEL BEARING INSPECTION"](#) .
4. Shock absorber operation.
5. Each mounting part of suspension for looseness and deformation.
6. Rear suspension beam for cracks, deformation, and other damage.
7. Vehicle height (posture).

GENERAL INFORMATION AND RECOMMENDATIONS

1. A Four-Wheel Thrust Alignment should be performed.
 - This type of alignment is recommended for any NISSAN vehicle.
 - The four-wheel “thrust” process helps ensure that the vehicle is properly aligned and the steering wheel is centered.
 - The alignment machine itself should be capable of accepting any NISSAN vehicle.
 - The alignment machine should be checked to ensure that it is level.
2. Make sure the alignment machine is properly calibrated.
 - Your alignment machine should be regularly calibrated in order to give correct information.
 - Check with the manufacturer of your specific alignment machine for their recommended Service/Calibration Schedule.

THE ALIGNMENT PROCESS

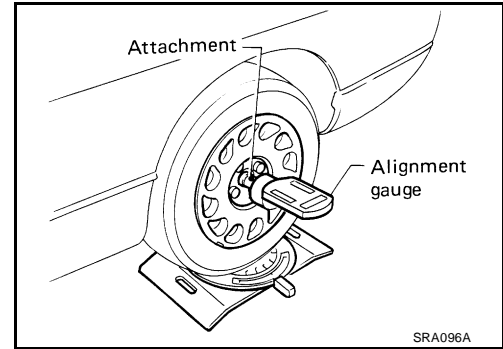
IMPORTANT: Use only the alignment specifications listed in this Service Manual. Refer to [RSU-13, "Wheel Alignment \(Unladen*\)"](#) .

1. When displaying the alignment settings, many alignment machines use “indicators”: (Green/red, plus or minus, Go/No Go). **Do NOT use these indicators.**
 - The alignment specifications programmed into your alignment machine that operate these indicators may not be correct.
 - This may result in an ERROR.
2. Some newer alignment machines are equipped with an optional “Rolling Compensation” method to “compensate” the sensors (alignment targets or head units). **Do NOT use this “Rolling Compensation” method.**
 - Use the “Jacking Compensation” method. After installing the alignment targets or head units, raise the vehicle and rotate the wheels 1/2 turn both ways.
 - See Instructions in the alignment machine you are using for more information.

REAR SUSPENSION ASSEMBLY

CAMBER INSPECTION

- Measure camber of both right and left wheels with a suitable alignment gauge.
Camber : Refer to [RSU-13, "Wheel Alignment \(Unladen*\)"](#) .
- If it is out of the specification value, inspect and replace any damaged or worn rear suspension parts.



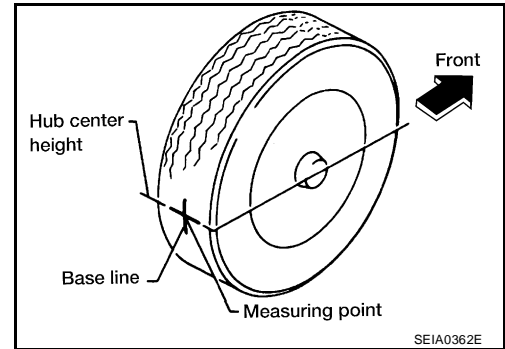
REAR SUSPENSION ASSEMBLY

TOE-IN INSPECTION

Measure toe-in using following procedure. If it is out of the specification, inspect and replace any damaged or worn rear suspension parts.

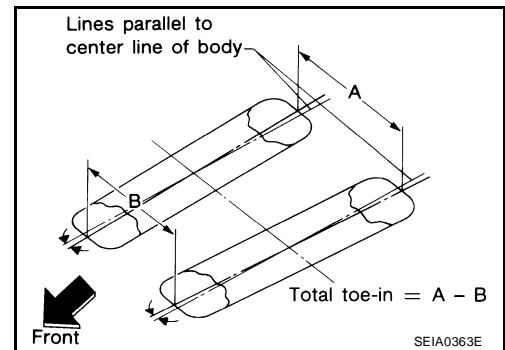
WARNING:

- Always perform the following procedure on a flat surface.
 - Make sure that no person is in front of vehicle before pushing it.
1. Bounce the rear of vehicle up and down to stabilize the vehicle height (posture).
 2. Push vehicle straight ahead about 5 m (16 ft).
 3. Put a mark on base line of the tread (rear side) of both tires at the same height of hub center. These are measuring points.



4. Measure distance "A" (rear side).
5. Push vehicle slowly ahead to rotate wheels 180 degrees (1/2 turn). If wheels have rotated more than 180 degrees (1/2 turn), try the above procedure again from the beginning. Never push vehicle backward.
6. Measure distance "B" (front side).

Total toe-in : Refer to [RSU-13, "Wheel Alignment \(Unladen*\)"](#) .

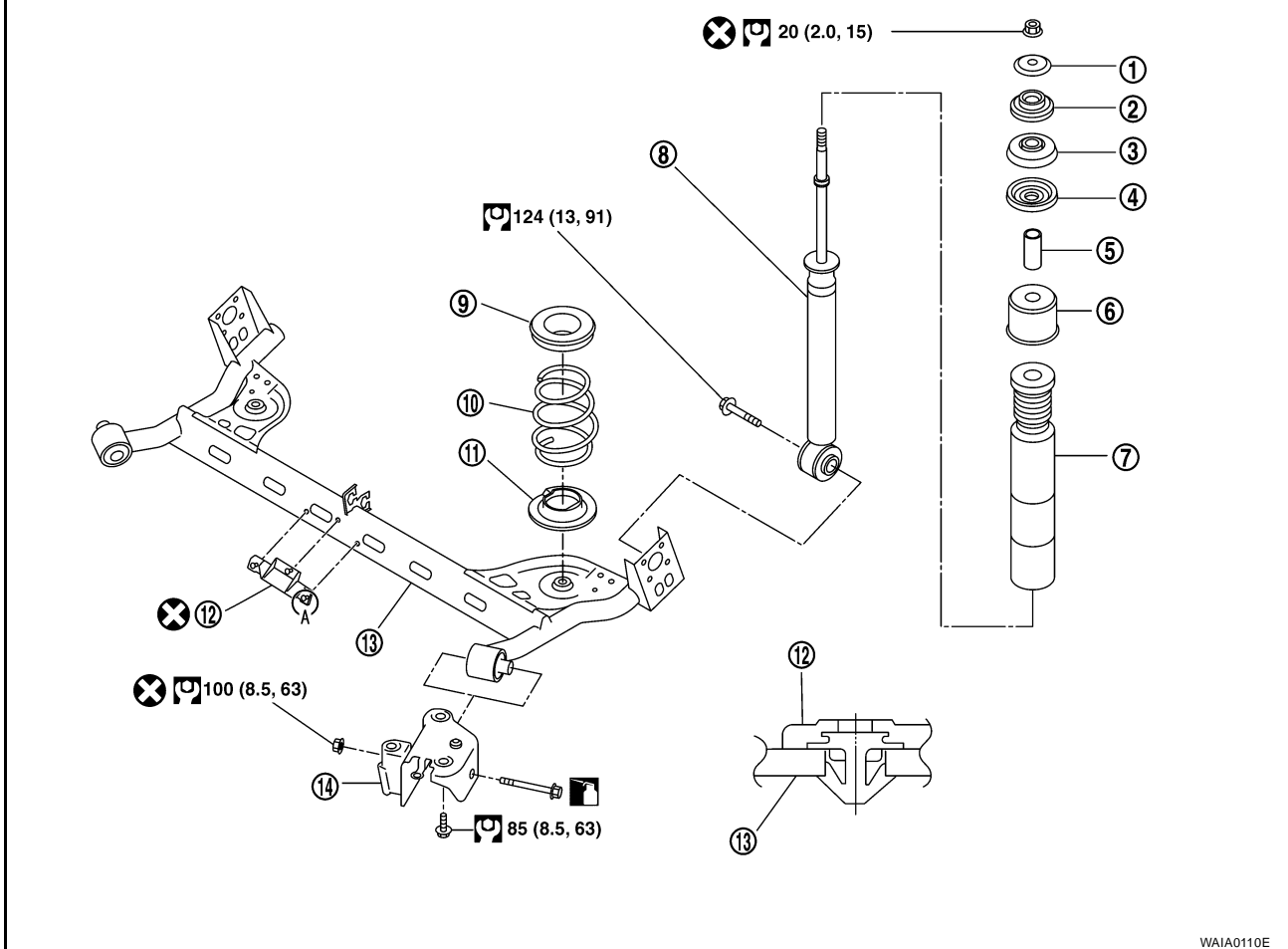


REAR SUSPENSION ASSEMBLY

Components

EES002CZ

SEC.431



- | | | |
|--------------------------|-------------------------------------|------------------------------------|
| 1. Washer (upper) | 2. Bushing (upper) | 3. Bushing (lower) |
| 4. Washer (lower) | 5. Distance tube | 6. Bound bumper cover |
| 7. Bound bumper | 8. Shock absorber | 9. Rear spring rubber seat (upper) |
| 10. Coil spring | 11. Rear spring rubber seat (lower) | 12. Brake tube protector |
| 13. Rear suspension beam | 14. Rear suspension beam bracket | |

SHOCK ABSORBER

PF0:56210

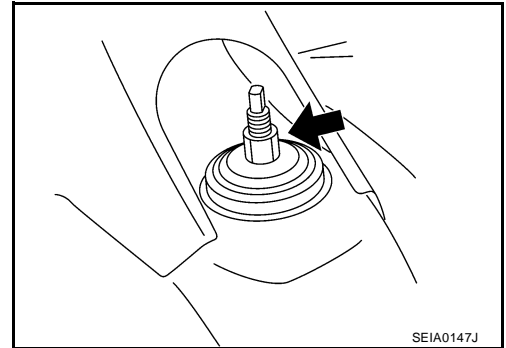
SHOCK ABSORBER

EES002D0

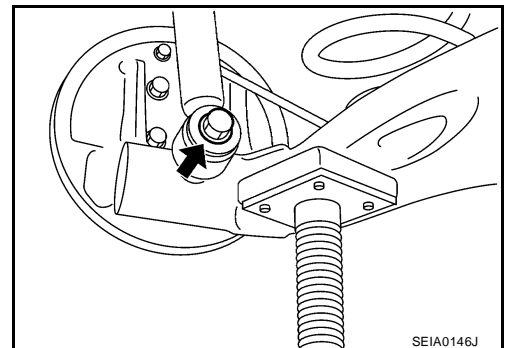
Removal and Installation

REMOVAL

1. Remove rear tires from vehicle using power tool.
2. Remove wheel sensor from wheel hub and bearing assembly and rear suspension beam. Refer to [BRC-33, "WHEEL SENSORS"](#) .
CAUTION:
Do not pull on wheel sensor harness.
3. Remove shock absorber mask from trunk side finisher using a flat-bladed screwdriver. Refer to [EI-53, "LUGGAGE FLOOR TRIM"](#) .
CAUTION:
Wrap the tip of a screwdriver with cloth to avoid damaging components.
4. Set jack under rear suspension beam.
5. Remove upper nut of the shock absorber, and then remove washer (upper), bushing (upper) from shock absorber.



6. Remove shock absorber lower side bolt.
7. Gradually lower the jack, and remove the bushing (lower), washer (lower), distance tube, bound bumper cover, bound bumper and shock absorber from vehicle.



INSPECTION AFTER REMOVAL

Shock Absorber

Check the following:

- Shock absorber for deformation, cracks or damage, and replace if necessary.
- Piston rod for damage, uneven wear or distortion, and replace if necessary .

Bound Bumper and Bushing

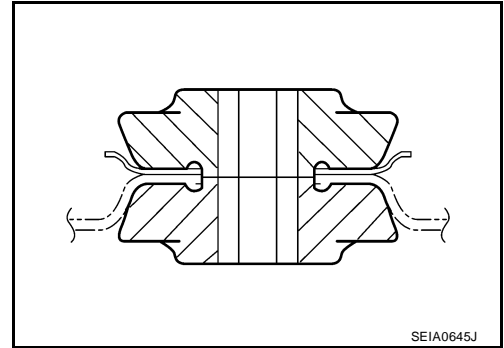
Check bound bumper and bushing for cracks, deformation or other damage, and replace applicable parts if necessary .

A
B
C
D
RSU
F
G
H
I
J
K
L
M

SHOCK ABSORBER

INSTALLATION

- Installation is in the reverse order of removal. For tightening torque, refer to [RSU-8, "Components"](#) .
- When installing body side bushing (upper), install the projection to the body side hole securely.



COIL SPRING

PFP:55020

COIL SPRING

Removal and Installation REMOVAL

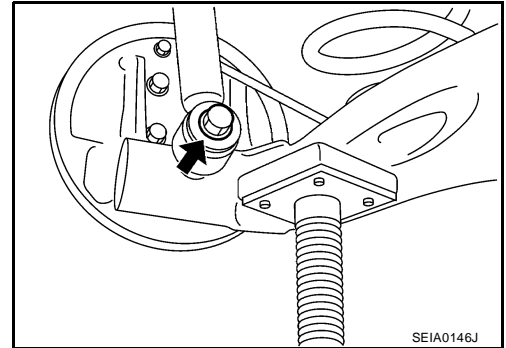
EES002D1

1. Remove rear tires from vehicle using power tool.
2. Remove wheel sensor from wheel hub and bearing assembly. Refer to [BRC-33, "WHEEL SENSORS"](#) .

CAUTION:

Do not pull on wheel sensor harness.

3. Separate brake tube from wheel cylinder. Refer to [BR-11, "BRAKE TUBE AND HOSE"](#) .
4. Set jack under rear suspension beam.
5. Remove shock absorber lower side bolt. Refer to [RSU-9, "SHOCK ABSORBER"](#) .
6. Gradually lower the jack, and then remove coil spring and rear spring rubber seat (upper and lower).



A

B

C

D

RSU

F

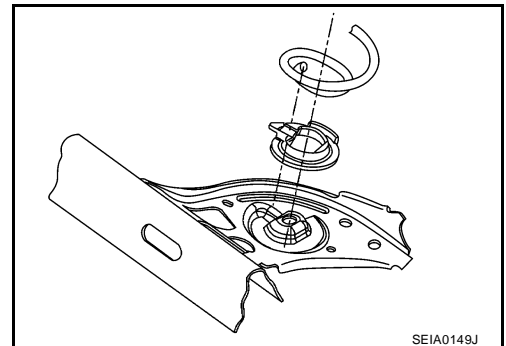
G

INSPECTION AFTER REMOVAL

Check coil spring and spring rubber seat for deformation, cracks, and damage, and replace it if a malfunction is detected.

INSTALLATION

- Installation is in the reverse order of removal. For tightening torque, refer to [RSU-8, "Components"](#) .
- When installing spring, be sure to securely install the spring end position aligned to flush of rear spring rubber seat (lower) as shown.



H

I

J

K

L

M

REAR SUSPENSION BEAM

REAR SUSPENSION BEAM

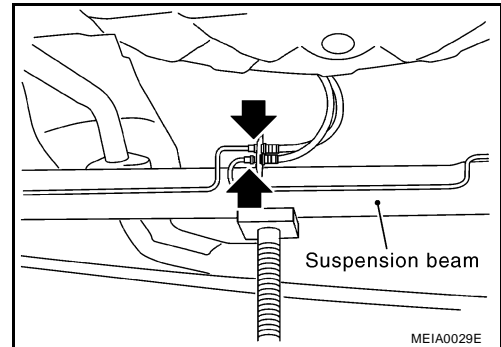
PFP:55501

Removal and Installation

EES002D2

REMOVAL

1. Remove rear tires from vehicle using power tool.
2. Separate parking brake rear cable from rear drum brake and rear suspension beam. Refer to [PB-4, "PARKING BRAKE CONTROL"](#) .
3. Remove wheel sensor and wheel sensor harness from wheel hub and bearing assembly and rear suspension beam. Refer to [BRC-33, "WHEEL SENSORS"](#) .
4. Remove lock plate and separate brake tube from brake hose. Refer to [BR-11, "BRAKE TUBE AND HOSE"](#) .
5. Remove wheel hub and bearing assembly and back plate. Refer to [RAX-4, "WHEEL HUB"](#) .
6. Set jack under rear suspension beam.
7. Remove coil spring (left/right). Refer to [RSU-11, "Removal and Installation"](#) .
8. Remove bolts between body and rear suspension beam bracket. Refer to [RSU-8, "Components"](#) .
9. Gradually lower the jack, and then remove rear suspension beam from vehicle.
10. Remove the rear suspension beam bracket bolt and nut, and then remove rear suspension beam bracket from rear suspension beam. Refer to [RSU-8, "Components"](#) .
11. Remove brake tube protector from rear suspension beam..

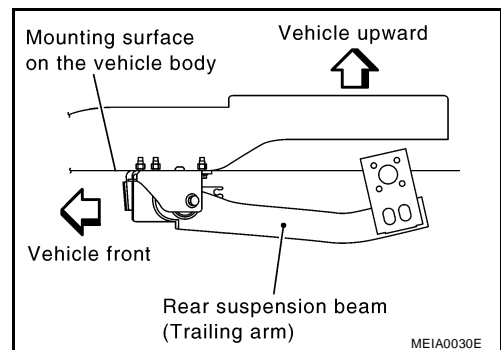


INSPECTION AFTER REMOVAL

Check components for deformation, cracks, and other damage, and replace if necessary.

INSTALLATION

- Installation is in the reverse order of removal. For tightening torque, refer to [RSU-8, "Components"](#) .
- Perform final tightening of rear suspension beam and rear suspension beam bracket (rubber bushing) under unladen conditions with tires on level ground.
- Refill with new brake fluid and bleed air. Refer to [BR-10, "Bleeding Brake System"](#) .
- Check the following after finishing work.
 - Parking brake operation (stroke): Refer to [PB-4, "ADJUSTMENT"](#) .
 - Wheel sensor harness for proper connection: Refer to [BRC-33, "WHEEL SENSORS"](#) .



SERVICE DATA AND SPECIFICATIONS (SDS)

SERVICE DATA AND SPECIFICATIONS (SDS)

PFP:00030

Wheel Alignment (Unladen*)

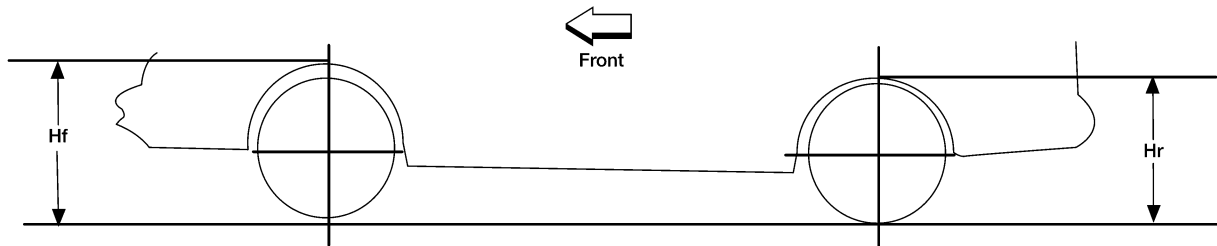
EES002D3

Camber Degree minute (Decimal degree)		Minimum	- 2° 01' (- 2.02°)
		Nominal	- 1° 31' (- 1.52°)
		Maximum	- 1° 01' (- 1.02°)
Total toe-in	Distance (A - B)	Minimum	1.0 mm (0.039 in)
		Nominal	5.0 mm (0.197 in)
		Maximum	9.0 mm (0.354 in)
	Angle (A - B) Degree minute (Decimal degree)	Minimum	0° 3' (0.05°)
		Nominal	0° 14' (0.23°)
		Maximum	0° 24' (0.41°)

*: Fuel, engine coolant and engine oil full. Spare tire, jack, hand tools and mats in designated positions.

Wheelarch Height (Unladen*)

EES002D4



LEIA0085E

Applied model	185/65R15
Front (Hf)	686 mm (27.01 in)
Rear (Hr)	684 mm (26.97 in)

*: Fuel, engine coolant and engine oil full. Spare tire, jack, hand tools and mats in designated positions.

SERVICE DATA AND SPECIFICATIONS (SDS)
