

SECTION **RAX**  
REAR AXLE

A  
B  
C

RAX

CONTENTS

E

<b>SERVICE INFORMATION</b> .....	2	<b>WHEEL HUB</b> .....	4	F
<b>PREPARATION</b> .....	2	On-Vehicle Inspection and Service .....	4	
Commercial Service Tool .....	2	Removal and Installation .....	4	G
<b>NOISE, VIBRATION AND HARSHNESS</b>		<b>SERVICE DATA AND SPECIFICATIONS</b>		
<b>(NVH) TROUBLESHOOTING</b> .....	3	<b>(SDS)</b> .....	6	H
NVH Troubleshooting Chart .....	3	Wheel Bearing .....	6	

F  
G  
H

I

J

K

L

M

N

O

P

# PREPARATION

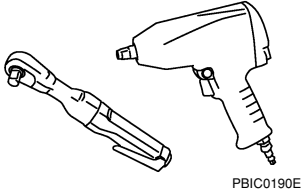
< SERVICE INFORMATION >

## SERVICE INFORMATION

### PREPARATION

Commercial Service Tool

INFOID:000000001703710

Tool name	Description
<p data-bbox="191 520 300 546">Power tool</p>  <p data-bbox="849 632 922 646">PBIC0190E</p>	<p data-bbox="1003 520 1218 546">Removing wheel nuts</p>

# NOISE, VIBRATION AND HARSHNESS (NVH) TROUBLESHOOTING

< SERVICE INFORMATION >

## NOISE, VIBRATION AND HARSHNESS (NVH) TROUBLESHOOTING

### NVH Troubleshooting Chart

INFOID:000000001703711

Use chart below to help you find the cause of the symptom. If necessary, repair or replace these parts.

Symptom		Possible cause and SUSPECTED PARTS		Reference page						
		Improper installation, looseness	Parts interference	Wheel bearing damage	REAR SUSPENSION	TIRES	ROAD WHEEL	BRAKES	STEERING	
Symptom	REAR AXLE	Noise	x	x		x	x	x	x	x
		Shake	x	x		x	x	x	x	x
		Vibration	x	x		x	x			x
		Shimmy	x	x		x	x	x	x	x
		Shudder	x			x	x	x	x	x
		Poor quality ride or handling	x	x	x	x	x	x		

x: Applicable

A  
B  
C  
RAX  
E  
F  
G  
H  
I  
J  
K  
L  
M  
N  
O  
P

# WHEEL HUB

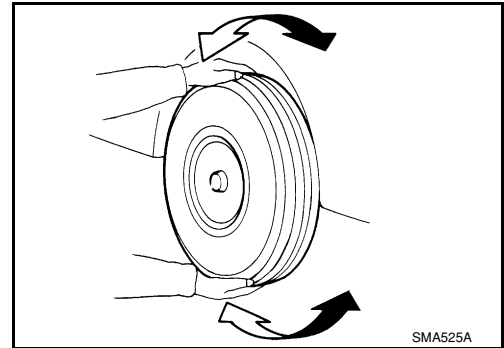
< SERVICE INFORMATION >

## WHEEL HUB

### On-Vehicle Inspection and Service

INFOID:000000001703712

- Check the axle and suspension parts for excessive play, wear, or damage.
- Shake each rear wheel to check for excessive play as shown.



### REAR WHEEL BEARING INSPECTION

- Move wheel hub and bearing assembly in the axial direction by hand. Make sure the axial end play is within specification.

**Axial end play : 0.05 mm (0.002 in) or less**

- Check that the wheel hub bearing operates smoothly.
- Replace the wheel hub assembly if the axial end play exceeds specification, or if the wheel bearing does not turn smoothly. Refer to [RAX-4. "Removal and Installation"](#).

#### **CAUTION:**

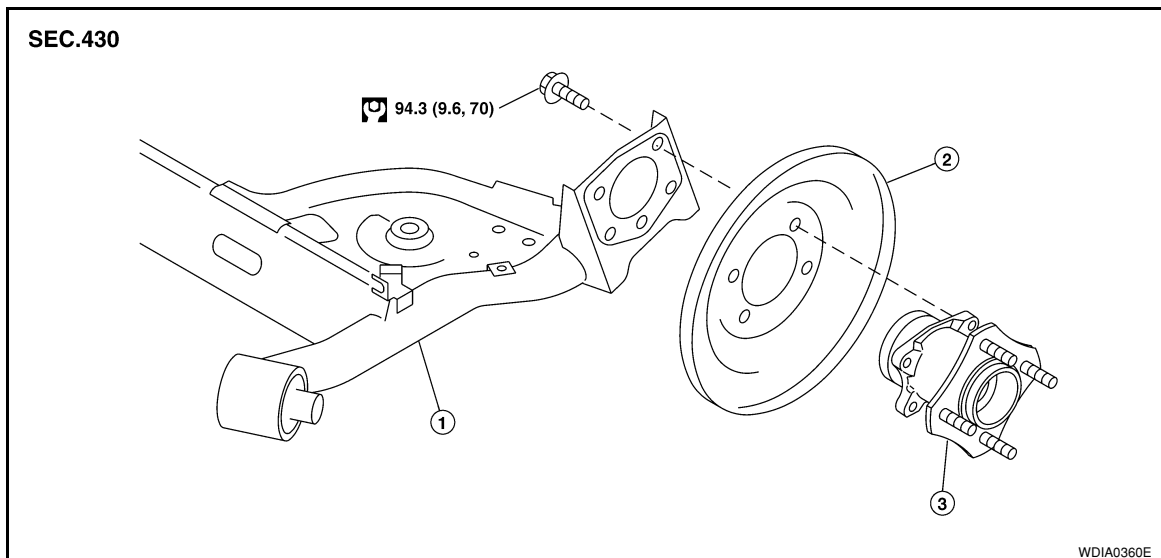
**The wheel hub assembly does not require maintenance. If any of the following symptoms are noted, replace the wheel hub assembly.**

- Growling noise is emitted from the wheel hub bearing during operation.
- Wheel hub bearing drags or turns roughly.

### Removal and Installation

INFOID:000000001703713

### COMPONENTS



1. Rear suspension beam

2. Back plate

3. Wheel hub and bearing assembly

### REMOVAL

1. Remove tires from vehicle using power tool.
2. Remove wheel sensor from wheel hub and bearing assembly. Refer to [BRC-32](#).

#### **CAUTION:**

## RAX-4

# WHEEL HUB

## < SERVICE INFORMATION >

### **Do not pull on wheel sensor harness.**

3. Remove the drum brake assembly. Refer to [BR-29, "Removal and Installation of Drum Brake Assembly"](#).
4. Remove wheel hub and bearing assembly bolts, and then remove wheel hub and bearing assembly from vehicle.
5. If necessary remove back plate, following procedure.
  1. Remove parking brake rear cable from back plate. Refer to [PB-4](#).
  2. Separate brake tube from wheel cylinder. Refer to [BR-10](#).

### INSPECTION AFTER REMOVAL

Check for any deformity, cracks, or other damage on the wheel hub assembly, replace if necessary.

### **CAUTION:**

**The wheel hub assembly does not require maintenance. If any of the following symptoms are noted, replace the wheel hub assembly.**

- Growling noise is emitted from the wheel hub bearing during operation.
- Wheel hub bearing drags or turns roughly.

### INSTALLATION

Installation is in the reverse order of removal.

A  
B  
C  
RAX  
E  
F  
G  
H  
I  
J  
K  
L  
M  
N  
O  
P

# SERVICE DATA AND SPECIFICATIONS (SDS)

< SERVICE INFORMATION >

---

## SERVICE DATA AND SPECIFICATIONS (SDS)

### Wheel Bearing

INFOID:000000001703714

---

Axial end play	0.05 mm (0.002 in) or less
----------------	----------------------------

---