

MAINTENANCE

SECTION MA

GI

MA

EM

LC

EC

FE

CL

MT

AT

TF

PD

AX

SU

BR

ST

RS

BT

HA

SC

EL

IDX

CONTENTS

PRECAUTIONS	3
Supplemental Restraint System (SRS) "AIR BAG" and "SEAT BELT PRE-TENSIONER"	3
PREPARATION	4
Special Service Tools	4
Commercial Service Tool	4
GENERAL MAINTENANCE	5
PERIODIC MAINTENANCE	7
Schedule 1	8
EMISSION CONTROL SYSTEM MAINTENANCE	8
CHASSIS AND BODY MAINTENANCE	9
Schedule 2	11
EMISSION CONTROL SYSTEM MAINTENANCE	11
CHASSIS AND BODY MAINTENANCE	12
RECOMMENDED FLUIDS AND LUBRICANTS	13
Fluids and Lubricants	13
SAE Viscosity Number	14
GASOLINE ENGINE OIL	14
GEAR OIL	15
Anti-freeze Coolant Mixture Ratio	15

KA24DE	
ENGINE MAINTENANCE	16
Checking Drive Belts	16
Changing Engine Coolant	17
-DRAINING ENGINE COOLANT-	17
-REFILLING ENGINE COOLANT-	17
-FLUSHING COOLING SYSTEM-	18
Checking Fuel Lines	19
Changing Fuel Filter	19
☐ WITH CONSULT - II	19
☒ WITHOUT CONSULT - II	20
Changing Air Cleaner Filter	20
Changing Engine Oil	20
Changing Oil Filter	21
Changing Spark Plugs	22
Checking EVAP Vapor Lines	23
Changing Positive Crankcase Ventilation (PCV) Filter	23

SERVICE DATA AND SPECIFICATIONS (SDS)	24
Engine Maintenance	24
KA24DE	24

VG33E

ENGINE MAINTENANCE	25
Checking Drive Belts	25
DRIVE BELT DEFLECTION AND TENSION	25
Changing Engine Coolant	26
-DRAINING ENGINE COOLANT-	26
-REFILLING ENGINE COOLANT-	27
-FLUSHING COOLING SYSTEM-	27
Checking Fuel Lines	28
Changing Fuel Filter	28
☐ WITH CONSULT - II	28
☒ WITHOUT CONSULT - II	29
Changing Air Cleaner Filter	29
VISCOUS PAPER TYPE	29
Changing Engine Oil	29
Changing Oil Filter	30
Changing Spark Plugs	31
Checking EVAP Vapor Lines	32
SERVICE DATA AND SPECIFICATIONS (SDS)	33
Engine Maintenance	33
VG33E	33

CHASSIS AND BODY MAINTENANCE	34
Checking Exhaust System	34
Checking Clutch Fluid Level and Leaks	34
Checking M/T Oil	34
Changing M/T Oil	34
Checking Water Entry - For 4WD models with M/T	35
Checking A/T Fluid	35
Changing A/T Fluid	36
Checking Transfer Fluid	36
Changing Transfer Fluid	36
Checking Propeller Shaft	37
Greasing Propeller Shaft	37

CONTENTS (Cont'd)

Checking Differential Gear Oil.....	37	LINING.....	40
Changing Differential Gear Oil	38	Checking Steering Gear and Linkage	40
LIMITED-SLIP DIFFERENTIAL GEAR.....	38	STEERING GEAR.....	40
Balancing Wheels.....	39	STEERING LINKAGE.....	40
Tire Rotation	39	Checking Power Steering Fluid and Lines.....	41
Checking Brake Fluid Level and Leaks.....	39	CHECKING FLUID LEVEL.....	41
Checking Brake Lines and Cables.....	39	CHECKING LINES.....	41
Checking Disc Brake	39	Lubricating Locks, Hinges and Hood Latches.....	42
ROTOR.....	39	Checking Seat Belts, Buckles, Retractors,	
CALIPER.....	40	Anchors and Adjusters.....	43
PAD.....	40	SERVICE DATA AND SPECIFICATIONS (SDS)	44
Checking Drum Brake	40	Chassis and Body Maintenance.....	44
WHEEL CYLINDER.....	40	WHEEL BALANCE	44
DRUM.....	40		

PRECAUTIONS

Supplemental Restraint System (SRS) "AIR BAG" and "SEAT BELT PRE-TENSIONER"

Supplemental Restraint System (SRS) "AIR BAG" and "SEAT BELT PRE-TENSIONER"

NGMA0001

The Supplemental Restraint System such as "AIR BAG" and "SEAT BELT PRE-TENSIONER" used along with a seat belt, helps to reduce the risk or severity of injury to the driver and front passenger for certain types of collision. The Supplemental Restraint System consists of driver air bag module (located in the center of the steering wheel), front passenger air bag module (located on the instrument panel on passenger side), seat belt pre-tensioners, a diagnosis sensor unit, warning lamp, wiring harness and spiral cable.

Information necessary to service the system safely is included in the **RS** section of this Service Manual.

WARNING:

- To avoid rendering the SRS inoperative, which could increase the risk of personal injury or death in the event of a collision which would result in air bag inflation, all maintenance should be performed by an authorized NISSAN dealer.
- Improper maintenance, including incorrect removal and installation of the SRS, can lead to personal injury caused by unintentional activation of the system. For removal of Spiral Cable and Air Bag Module, see the RS section.
- Do not use electrical test equipment on any circuit related to the SRS unless instructed to in this Service Manual. Spiral cable and wiring harnesses (except "SEAT BELT PRE-TENSIONER") covered with yellow insulation either just before the harness connectors or for the complete harness are related to the SRS.

GI

MA

EM

LC

EC

FE

CL

MT

AT

TF

PD

AX

SU

BR

ST

RS

BT

HA

SC

EL

IDX

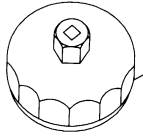
PREPARATION

Special Service Tools

Special Service Tools

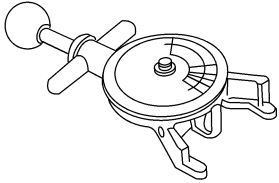
NGMA0002

The actual shapes of Kent-Moore tools may differ from those of special service tools illustrated here.

Tool number (Kent-Moore No.) Tool name	Description
KV10115801 (J38956) Oil filter cap wrench	 <p>14 faces, Inner span: 64.3 mm (2.531 in) (Face to opposite face)</p> <p>Removing oil filter a: 64.3 mm (2.531 in)</p> <p>NT362</p>

Commercial Service Tool

NGMA0052

Tool name (Kent-Moore No.)	Description
Belt tension gauge (BT3373-F)	 <p>Checking drive belt tension</p> <p>AMA126</p>

GENERAL MAINTENANCE

General maintenance includes those items which should be checked during the normal day-to-day operation of the vehicle. They are essential if the vehicle is to continue operating properly. The owners can perform checks and inspections themselves or have their NISSAN dealers do them.

OUTSIDE THE VEHICLE

The maintenance items listed here should be performed from time to time, unless otherwise specified.

Item		Reference page
Tires	Check the pressure with a gauge periodically when at a service station, including the spare, and adjust to the specified pressure if necessary. Check carefully for damage, cuts or excessive wear.	MA-39
Wheel nuts	When checking the tires, make sure no nuts are missing, and check for any loose nuts. Tighten if necessary.	MA-39
Tire rotation	Tires should be rotated every 12,000 km (7,500 miles).	MA-39
Wheel alignment and balance	If the vehicle pulls to either side while driving on a straight and level road, or if you detect uneven or abnormal tire wear, there may be a need for wheel alignment. If the steering wheel or seat vibrates at normal highway speeds, wheel balancing may be needed.	MA-39, SU-6 , "Front Wheel Alignment"
Windshield wiper blades	Check for cracks or wear if they do not wipe properly.	—
Doors and engine hood	Check that all doors and the engine hood operate smoothly as well as the trunk lid and back hatch. Also make sure that all latches lock securely. Lubricate if necessary. Make sure that the secondary latch keeps the hood from opening when the primary latch is released. When driving in areas using road salt or other corrosive materials, check lubrication frequently.	MA-42
Lamps	Make sure that the headlamps, stop lamps, tail lamps, turn signal lamps, and other lamps are all operating properly and installed securely. Also check headlamp aim.	EL-38 , "Aiming Adjustment"

INSIDE THE VEHICLE

The maintenance items listed here should be checked on a regular basis, such as when performing periodic maintenance, cleaning the vehicle, etc.

Item		Reference page
Warning lamps and buzzers/chimes	Make sure that all warning lamps and buzzers/chimes are operating properly.	EL-97 , "Electrical Components Inspection"
Windshield wiper and washer	Check that the wipers and washer operate properly and that the wipers do not streak.	—
Windshield defroster	Check that the air comes out of the defroster outlets properly and in sufficient quantity when operating the heater or air conditioner.	—
Steering wheel	Check that it has the specified play. Be sure to check for changes in the steering condition, such as excessive play, hard steering or strange noises.	ST-6 , "Checking Steering Wheel Play"
Seats	Check seat position controls such as seat adjusters, seatback recliner, etc. to make sure they operate smoothly and that all latches lock securely in every position. Check that the head restraints move up and down smoothly and that the locks (if equipped) hold securely in all latched positions. Check that the latches lock securely for folding-down rear seatbacks.	—
Seat belts	Check that all parts of the seat belt system (e.g. buckles, anchors, adjusters and retractors) operate properly and smoothly and are installed securely. Check the belt webbing for cuts, fraying, wear or damage.	MA-43, RS-6 , "Seat Belt Inspection"
Accelerator pedal	Check that pedal for smooth operation and make sure the pedal does not catch or require uneven effort. Keep the floor mats away from the pedal.	FE-3 , "Adjusting Accelerator Wire"
Clutch pedal	Make sure the pedal operates smoothly and check that it has the proper free play.	CL-6 , "Adjusting Clutch Pedal"

GENERAL MAINTENANCE

Item		Reference page
Brakes	Check that the brake does not pull the vehicle to one side when applied.	—
Brake pedal and booster	Check the pedal for smooth operation and make sure it has the proper distance under it when depressed fully. Check the brake booster function. Be sure to keep floor mats away from the pedal.	BR-11 , "Removal and Installation" and BR-16 , "On-vehicle Service"
Parking brake	Check that the lever has the proper travel and make sure that the vehicle is held securely on a fairly steep hill when only the parking brake is applied.	BR-27 , "PARKING BRAKE CONTROL"
Automatic transmission "Park" mechanism	Check that the lock release button on the selector lever operates properly and smoothly. On a fairly steep hill check that the vehicle is held securely with the selector lever in the P position without applying any brakes.	—

UNDER THE HOOD AND VEHICLE

The maintenance items listed here should be checked periodically (e.g. each time you check the engine oil or refuel).

Item		Reference page	
		KA24DE	VG33E
Windshield washer fluid	Check that there is adequate fluid in the tank.	—	
Engine coolant level	Check the coolant level when the engine is cold.	MA-17	MA-27
Radiator and hoses	Check the front of the radiator and clean off any dirt, insects, leaves, etc., that may have accumulated. Make sure the hoses have no cracks, deformation, deterioration or loose connections.	—	
Brake and clutch fluid levels	Make sure that the brake and clutch fluid levels are between the "MAX" and "MIN" lines on the reservoirs	MA-34, 39	
Battery	Check the fluid level in each cell. It should be between the "MAX" and "MIN" lines.	—	
Engine drive belts	Make sure that no belt is frayed, worn, cracked or oily.	MA-16	MA-25
Engine oil level	Check the level on the dipstick after parking the vehicle on a level spot and turning off the engine.	MA-20	MA-29
Power steering fluid level and lines	Check the level on the reservoir with the engine off. Check the lines for improper attachment, leaks, cracks, etc.	MA-41	
Automatic transmission fluid level	Check the level on the dipstick after putting the selector lever in "P" with the engine idling.	MA-35	
Exhaust system	Make sure there are no loose supports, cracks or holes. If the sound of the exhaust seems unusual or there is a smell of exhaust fumes, immediately locate the trouble and correct it.	MA-34	
Underbody	The underbody is frequently exposed to corrosive substances such as those used on icy roads or to control dust. It is very important to remove these substances, otherwise rust will form on the floor pan, frame, fuel lines and around the exhaust system. At the end of winter, the underbody should be thoroughly flushed with plain water, being careful to clean those areas where mud and dirt can easily accumulate.	—	
Fluid leaks	Check under the vehicle for fuel, oil, water or other fluid leaks after the vehicle has been parked for a while. Water dripping from the air conditioner after use is normal. If you should notice any leaks or gasoline fumes are evident, check for the cause and correct it immediately.	—	

PERIODIC MAINTENANCE

Two different maintenance schedules are provided, and should be used, depending upon the conditions in which the vehicle is mainly operated. **After 60,000 miles (96,000 km) or 48 months, continue the periodic maintenance at the same mileage/time intervals.**

Schedule 1	Follow Periodic Maintenance Schedule 1 if your driving habits frequently includes one or more of the following driving conditions: <ul style="list-style-type: none"> ● Repeated short trips of less than 5 miles (8 km). ● Repeated short trips of less than 10 miles (16 km) with outside temperatures remaining below freezing. ● Operating in hot weather in stop-and-go “rush hour” traffic. ● Extensive idling and/or low speed driving for long distances, such as police, taxi or door-to-door delivery use. ● Driving in dusty conditions. ● Driving on rough, muddy, or salt spread roads. ● Towing a trailer, using a camper or a car-top carrier. 	Emission Control System Maintenance	MA-8
		Chassis and Body Maintenance	MA-9
Schedule 2	Follow Periodic Maintenance Schedule 2 if none of the driving conditions shown in Schedule 1 apply to the driving habits.	Emission Control System Maintenance	MA-11
		Chassis and Body Maintenance	MA-12

Maintenance for off-road driving (4x4 only)

Whenever you drive off-road through sand, mud or water, more frequent maintenance may be required of the following items:

- ▲ Brake pads and rotors
- ▲ Brake lining and drums
- ▲ Brake lines and hoses
- ▲ Wheel bearing grease and free-running hub grease
- ▲ Differential, transmission and transfer oil
- ▲ Steering linkage
- ▲ Propeller shaft and drive shafts
- ▲ Air cleaner filter
- ▲ Clutch housing. Refer to “Checking Water Entry — For 4WD models with M/T”, MA-35.

GI

MA

EM

LC

EC

FE

CL

MT

AT

TF

PD

AX

SU

BR

ST

RS

BT

HA

SC

EL

IDX

PERIODIC MAINTENANCE

Schedule 1

Schedule 1

EMISSION CONTROL SYSTEM MAINTENANCE

NGMA0004S01

NGMA0004S0101

Abbreviations: R = Replace. I = Inspect. Correct or replace if necessary. []: At the mileage intervals only

MAINTENANCE OPERATION	Miles x 1,000 (km x 1,000) Months	MAINTENANCE INTERVAL												Reference Section - Page or Content Title					
		3.75 (6) 3	7.5 (12) 6	11.25 (18) 9	15 (24) 12	18.75 (30) 15	22.5 (36) 18	26.25 (42) 21	30 (48) 24	33.75 (54) 27	37.5 (60) 30	41.25 (66) 33	45 (72) 36		48.75 (78) 39	52.5 (84) 42	56.25 (90) 45	60 (96) 48	
Perform at number of miles, kilometers or months, whichever comes first.																		KA24DE	VG33E
Drive belts								I*										MA-16	MA-25
Air cleaner filter	NOTE (1)							[R]										MA-20	MA-29
Positive crankcase ventilation (PCV) filter	NOTE (2)							[R]										MA-23	—
EVAP vapor lines								I*										MA-23	MA-32
Fuel lines								I*										MA-19	MA-28
Fuel filter*	NOTE (2)																	MA-19	MA-28
Engine coolant	NOTE (3)																	MA-17	MA-26
Engine oil		R	R	R	R	R	R	R	R	R	R	R	R	R	R	R	R	MA-20	MA-29
Engine oil filter (Use part No. 15208-31U00 or equivalent for VG engine.)		R																MA-21	MA-30
Spark plugs (Double PLATINUM-TIPPED type)		Replace every 105,000 miles (169,000 km)												MA-22	MA-31				
Timing belt		Replace every 105,000 miles (169,000 km)												—	EM-75 "Timing Belt"				
Intake and Exhaust valve clearance ★	NOTE (4)																	EM-38, "Valve Clearance"	—

NOTE:

- (1) If operating mainly in dusty conditions, more frequent maintenance may be required.
 - (2) When the filter becomes clogged, the vehicle speed cannot be increased as the driver wishes. In such an event, replace the filter.
 - (3) After 60,000 miles (96,000 km) or 48 months, replace every 30,000 miles (48,000 km) or 24 months.
 - (4) If valve noises increases, inspect valve clearance.
- ★ Maintenance items and intervals with "*" are recommended by NISSAN for reliable vehicle operation. The owner need not perform such maintenance in order to maintain the emission warranty or manufacturer recall liability. Other maintenance items and intervals are required.

PERIODIC MAINTENANCE

Schedule 1 (Cont'd)

CHASSIS AND BODY MAINTENANCE

NGMA0004S0102

Abbreviations: R = Replace. I = Inspect. Correct or replace if necessary. L = Lubricate. []: At the mileage intervals only.

MAINTENANCE OPERATION		MAINTENANCE INTERVAL													Reference Section - Page or Content Title			
	Miles x 1,000 (km x 1,000) Months	3.75 (6) 3	7.5 (12) 6	11.25 (18) 9	15 (24) 12	18.75 (30) 15	22.5 (36) 18	26.25 (42) 21	30 (48) 24	33.75 (54) 27	37.5 (60) 30	41.25 (66) 33	45 (72) 36	48.75 (78) 39	52.5 (84) 42	56.25 (90) 45	60 (96) 48	
Perform at number of miles, kilometers or months, whichever comes first.																		
Brake lines & cables				I					I									MA-39
Brake pads, rotors, drums & linings			I		I													MA-39, 40
Automatic transmission fluid	NOTE (1)																	MA-35, 36
Transfer fluid & differential gear oil (exc. LSD)	NOTE (2)																	MA-36, 37
Limited slip differential (LSD) gear oil	NOTE (2)								R									MA-38
Manual transmission gear oil	NOTE (1)																	MA-34
Steering gear, linkage, axle & suspension parts			I															MA-40 NOTE (7)
Tire rotation	NOTE (3)																	MA-39
Drive shaft boots (4x4)																		AX-19, "Drive Shaft"
Propeller shaft (4x4)	NOTE (4)																	MA-37
Front wheel bearing grease	4x2																	AX-13, "Front Wheel Bearing"
Front wheel bearing grease and free-running hub grease	4x4																	AX-5, "Front Wheel Bearing"
Exhaust system																		MA-34
Supplemental air bag system	NOTE (6)																	RS-13, "Maintenance Items"

NOTE:

- (1) If towing a trailer, using a camper or a car-top carrier, or driving on rough or muddy roads, change (not just inspect) oil (exc. LSD) at every 30,000 miles (48,000 km) or 24 months.
- (2) If towing a trailer, using a camper or a car-top carrier, or driving on rough or muddy roads, change (not just inspect) oil (exc. LSD) at every 30,000 miles (48,000 km) or 24 months, and change LSD gear oil every 15,000 miles (24,000 km) or 12 months.
- (3) Refer to "Tire rotation" under the "General maintenance" heading in this section.

PERIODIC MAINTENANCE

Schedule 1 (Cont'd)

- (4) The propeller shaft should be re-greased after being immersed in water.
- (5) If operating frequently in water, replace grease every 3,750 miles (6,000 km) or 3 months.
- (6) Inspect the air bag system 10 years after the date of manufacture noted on the FMVSS certification label.
- (7) Refer to **SU-6**, "Front Suspension Parts", **SU-24**, "Rear Suspension Parts", **AX-4**, "Front Axle Parts", and **AX-27**, "Rear Axle Parts".

PERIODIC MAINTENANCE

Schedule 2

NGMA0004S02

NGMA0004S0201



MA

EM

LC

EC

FE

CL

MT

AT

TF

PD

AX

SU

BR

ST

RS

BT

HA

SC

EL

IDX

Schedule 2

EMISSION CONTROL SYSTEM MAINTENANCE

Abbreviations: R = Replace. I = Inspect. Correct or replace if necessary. []: At the mileage intervals only

MAINTENANCE OPERATION	Miles x 1,000 (km x 1,000) Months	MAINTENANCE INTERVAL								Reference Section - Page or - Content Title	
		7.5 (12) 6	15 (24) 12	22.5 (36) 18	30 (48) 24	37.5 (60) 30	45 (72) 36	52.5 (84) 42	60 (96) 48		
Perform at number of miles, kilometers or months, whichever comes first.										KA24DE	VG33E
Drive belts					I*					MA-16	MA-25
Air cleaner filter					[R]					MA-20	MA-29
Positive crankcase ventilation (PCV) filter	NOTE (1)				[R]					MA-23	—
EVAP vapor lines					I*					MA-33	MA-23
Fuel lines					I*					MA-19	MA-28
Fuel filter*	NOTE (1)									MA-19	MA-28
Engine coolant	NOTE (2)								R*	MA-17	MA-26
Engine oil		R	R	R	R	R	R	R	R	MA-20	MA-29
Engine oil filter		R	R	R	R	R	R	R	R	MA-21	MA-30
Spark plugs (Double PLATINUM-TIPPED type)		Replace every 105,000 miles (169,000 km)								MA-22	MA-31
Timing belt		Replace every 105,000 miles (169,000 km)								—	EM-75, "Timing Belt"
Intake and Exhaust valve clearance ★	NOTE (3)									EM-38, "Valve Clearance"	—

NOTE:

- (1) When the filter becomes clogged, the vehicle speed cannot be increased as the driver wishes. In such an event, replace the filter.
 - (2) After 60,000 miles (96,000 km) or 48 months, replace every 30,000 miles (48,000 km) or 24 months.
 - (3) If valve noises increase, inspect valve clearance.
- ★ Maintenance items and intervals with "*" are recommended by NISSAN for reliable vehicle operation. The owner need not perform such maintenance in order to maintain the emission warranty or manufacturer recall liability. Other maintenance items and intervals are required.

PERIODIC MAINTENANCE

Schedule 2 (Cont'd)

CHASSIS AND BODY MAINTENANCE

NGMA0004S0202

Abbreviations: R = Replace. I = Inspect. Correct or replace if necessary. L = Lubricate. []: At the mileage interval only.

MAINTENANCE OPERATION		MAINTENANCE INTERVAL								Reference Section - Page or - Content Title	
		Miles x 1,000 (km x 1,000) Months	7.5 (12) 6	15 (24) 12	22.5 (36) 18	30 (48) 24	37.5 (60) 30	45 (72) 36	52.5 (84) 42		60 (96) 48
Perform at number of miles, kilometers or months, whichever comes first.											
Brake lines & cables			I	I							MA-39
Brake pads, rotors, drums & linings			I	I							MA-39, 40
Automatic transmission fluid			I	I							MA-35, 36
Transfer fluid & differential gear oil (exc. LSD)			I	I							MA-36, 37
Limited slip differential (LSD) gear oil			I	I		R					MA-38
Manual transmission gear oil			I	I		I				[R]	MA-34
Steering gear, linkage, axle & suspension parts						I					MA-40 NOTE (4)
Tire rotation		NOTE (1)									MA-39
Drive shaft boots (4x4)			I	I		I					AX-19, "Drive Shaft"
Propeller shaft (4x4)		NOTE (2)	L	L		L					MA-37
Front wheel bearing grease (4x2)						I					AX-13, "Front Axle Wheel Bearing"
Front wheel bearing grease and free-running hub grease (4x4)			I	I		R					AX-5, "Front Axle Wheel Bearing"
Exhaust system						I					MA-34
Supplemental air bag system		NOTE (3)									RS-13, "Maintenance Item"

NOTE:

- (1) Refer to "Tire rotation" under the "General maintenance" heading in this section.
- (2) The propeller shaft should be re-greased after being immersed in water.
- (3) Inspect the air bag system 10 years after the date of manufacture noted on the FMVSS certification label.
- (4) Refer to **SU-6**, "Front Suspension Parts", **SU-24**, "Rear Suspension Parts", **AX-4**, "Front Axle Parts", and **AX-27**, "Rear Axle Parts".

RECOMMENDED FLUIDS AND LUBRICANTS

Fluids and Lubricants

Fluids and Lubricants

NGMA0005S01

KA24DE

KA24DE			Capacity (Approximate)			Recommended Fluids/Lubricants
			US measure	Imp measure	Liter	
Engine oil	Drain and refill	With oil filter	3-3/4 qt	3-1/8 qt	3.5	<ul style="list-style-type: none"> ● API Certification Mark*1 ● API grade SG/SH, Energy Conserving I & II or API grade SJ, Energy Conserving*1 ● ILSAC grade GF-I & GF-II*1
		Without oil filter	3-1/2 qt	2-7/8 qt	3.3	
	Dry engine (Engine overhaul)		4-3/8 qt	3-5/8 qt	4.1	
Cooling system (With reservoir)			7-3/4 qt	6-3/8 qt	7.3	Mix 50% genuine NISSAN anti-freeze coolant or equivalent and 50% demineralized water or distilled water.
Manual transmission gear oil (FS5W71C)			4-1/4 pt	3-1/2 pt	2.0	API GL-4, Viscosity SAE 75W-90 only
Differential carrier gear oil			3-1/8 pt	2-5/8 pt	1.5	Standard differential gear: API GL-5*1 Limited-slip differential (LSD) gear: Use only LSD gear oil API GL-5 and SAE 80W-90*3 approved for NISSAN LSD*4.
Power steering fluid			30.4-33.8 fl oz	31.7-35.2 fl oz	0.9-1.0	Genuine NISSAN PSF II or equivalent*5
Brake and clutch fluid			—	—	—	Genuine NISSAN Brake Fluid*2 or equivalent DOT 3 (U.S. FMVSS No. 116)
Multi-purpose grease			—	—	—	NLGI No. 2 (Lithium soap base)

*1: For further details, see "SAE Viscosity Number".

*2: Available in mainland U.S.A. through your NISSAN dealer.

*3: SAE 90 is acceptable in ambient temperatures above -18°C (0°F).

*4: Contact a NISSAN dealer for a list of approved oils.

*5: Genuine NISSAN PSF, Canada NISSAN Automatic Transmission Fluid, DEXRON™III, MERCON™, or equivalent ATF may also be used.

VG33E

VG33E			Capacity (Approximate)			Recommended Fluids/Lubricants
			US measure	Imp measure	Liter	
Engine oil	Drain and refill	With oil filter	3-1/2 qt	2-7/8 qt	3.3	<ul style="list-style-type: none"> ● API Certification Mark*1 ● API grade SG/SH, Energy Conserving I & II or API grade SJ, Energy Conserving*1 ● ILSAC grade GF-I & GF-II*1
		Without oil filter	3-1/8 qt	2-5/8 qt	3.0	
	Dry engine (Engine overhaul)		4 qt	3-3/8 qt	3.8	
Cooling system (With reservoir)			11-5/8 qt	9-5/8 qt	10.95	Mix 50% genuine NISSAN anti-freeze coolant or equivalent and 50% demineralized water or distilled water.
Manual transmission gear oil (FS5R30A)	2WD	5-7/8 pt	4-7/8 pt	2.8	API GL-4, viscosity SAE 75W-90 only	
	4WD	10-3/4 pt	9 pt	5.1		
Transfer fluid (TX10A)			2-3/8 qt	2 qt	2.2	NISSAN Matic 'D' or Canada NISSAN Automatic Transmission Fluid*2 or API GL-4*1

RECOMMENDED FLUIDS AND LUBRICANTS

Fluids and Lubricants (Cont'd)

VG33E		Capacity (Approximate)			Recommended Fluids/Lubricants
		US measure	Imp measure	Liter	
Differential carrier gear oil	Front (4WD)	3-1/8 pt	2-5/8 pt	1.5	Standard differential gear: API GL-5*1 Limited-slip differential (LSD) gear: Use only LSD gear oil API GL-5 and SAE 80W-90*4 approved for NISSAN LSD*5.
	Rear	5-7/8 pt	4-7/8 pt	2.8	
Automatic transmission fluid	2WD	8-3/4	7-1/4	8.3	NISSAN Matic "D" (Continental U.S. and Alaska) or Canada NISSAN Automatic Transmission Fluid*2
	4WD	9 qt	7-1/2 qt	8.5	
Power steering fluid		33.8-37.2 fl oz	35.2-38.7 fl oz	1.0-1.1	Genuine NISSAN PSF II or equivalent*6
Brake and clutch fluid		—	—	—	Genuine NISSAN Brake Fluid*3 or equivalent DOT 3 (U.S. FMVSS No. 116)
Propeller shaft grease		—	—	—	NLGI No. 2 (Molybdenum disulphide lithium soap base)
Multi-purpose grease		—	—	—	NLGI No. 2 (Lithium soap base)
Free-running hub grease (Auto-lock)		—	—	—	Genuine NISSAN grease or equivalent

*1: For further details, see "SAE Viscosity Number".

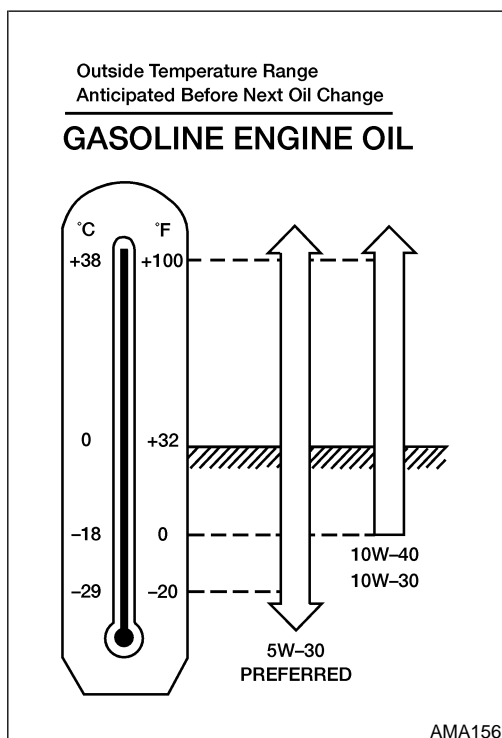
*2: DEXRON III™, MERCON™ or equivalent may also be used. Outside the continental United States and Alaska contact a NISSAN dealership for more information regarding suitable fluids, including recommended brand(s) of DEXRON™III, MERCON™ Automatic Transmission Fluid.

*3: Available in mainland U.S.A. through your NISSAN dealer.

*4: SAE 90 is acceptable in ambient temperatures above -18°C (0°F).

*5: Contact a NISSAN dealer for a list of approved oils.

*6: Genuine NISSAN PSF, Canada NISSAN Automatic Transmission Fluid, DEXRON™III, MERCON™, or equivalent ATF may also be used.



SAE Viscosity Number GASOLINE ENGINE OIL

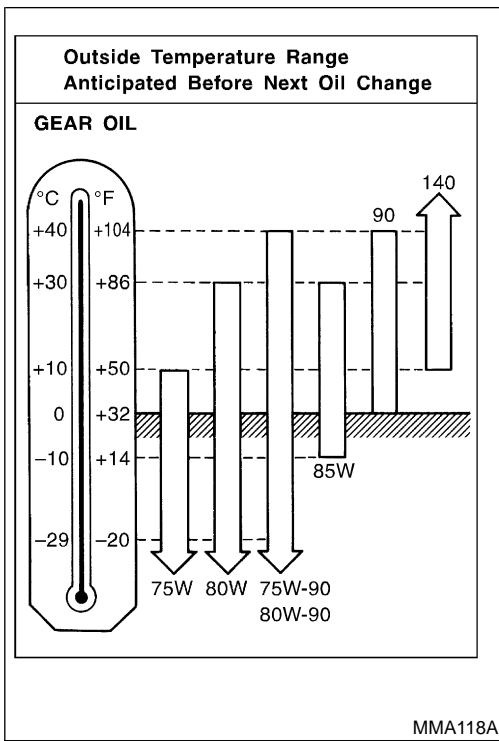
NGMA0005S02

NGMA0005S0201

SAE 5W-30 viscosity oil is preferred for all temperatures. SAE 10W-30 and 10W-40 viscosity oil may be used if the ambient temperature is above -18°C (0°F).

RECOMMENDED FLUIDS AND LUBRICANTS

SAE Viscosity Number (Cont'd)



GEAR OIL

SAE rated 75W-90 for transfer fluid, and SAE rated 80W-90 for differential gear oil are preferable.

NGMA0005S0202

GI

MA

EM

LC

EC

FE

CL

MT

Anti-freeze Coolant Mixture Ratio

The engine cooling system is filled at the factory with a high-quality, year-round, anti-freeze coolant solution. The anti-freeze solution contains rust and corrosion inhibitors. Therefore, additional cooling system additives are not necessary.

NGMA0005S03

AT

TF

CAUTION:

When adding or replacing coolant, be sure to use only genuine NISSAN anti-freeze coolant or equivalent with the proper mixture.

PD

Outside temperature down to:		Genuine NISSAN anti-freeze coolant or equivalent	Demineralized water or distilled water
°C	°F		
-35	-30	50%	50%

AX

SU

Other types of coolant solutions may damage the engine cooling system.

BR

ST

RS

BT

HA

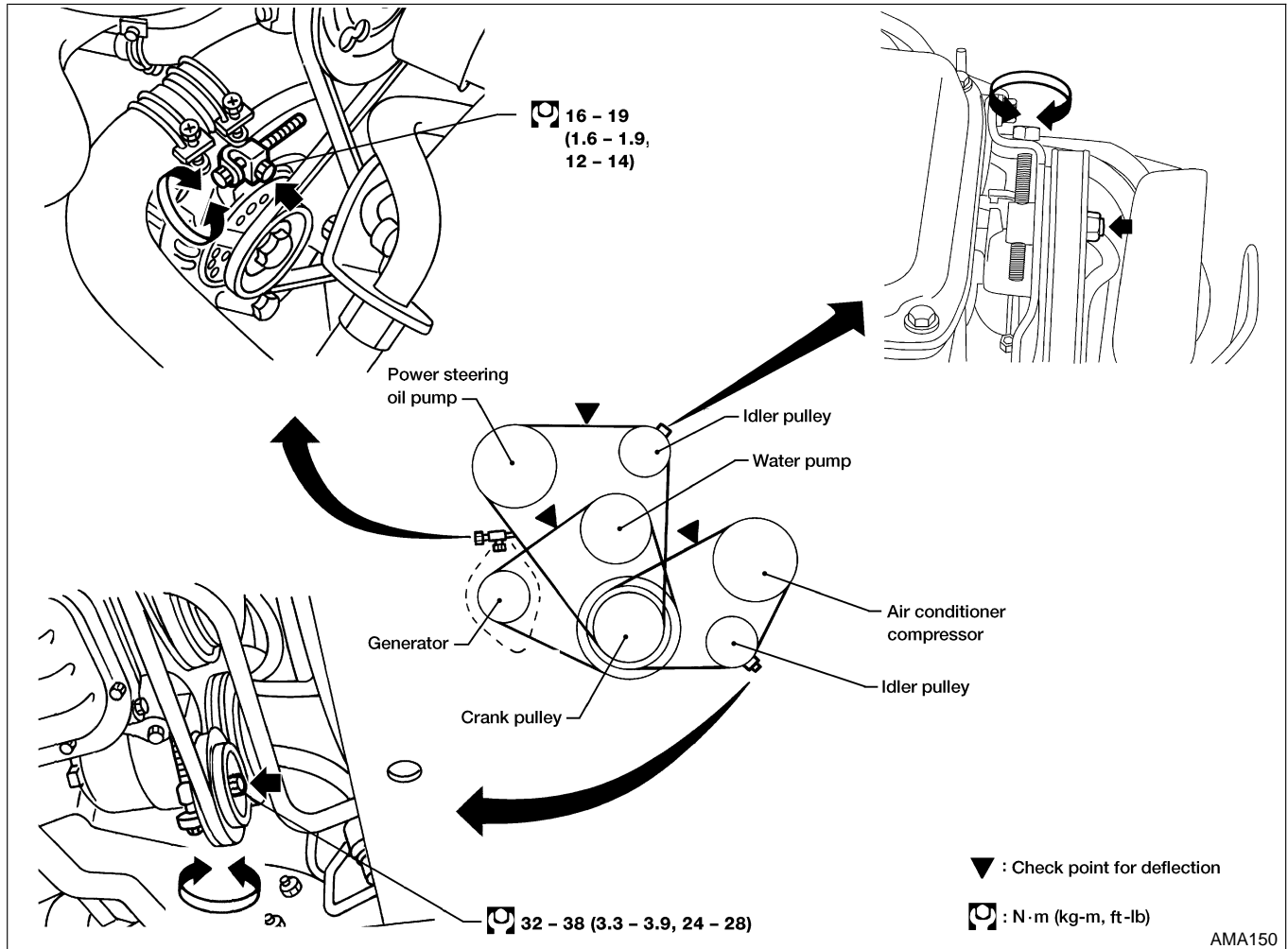
SC

EL

IDX

Checking Drive Belts

NGMA0056



1. Inspect belt for cracks, fraying, wear and oil. If necessary, replace.
2. Inspect drive belt deflection or tension at a point on the belt midway between pulleys.

Check belt tension using belt tension gauge (BT3373-F or equivalent).

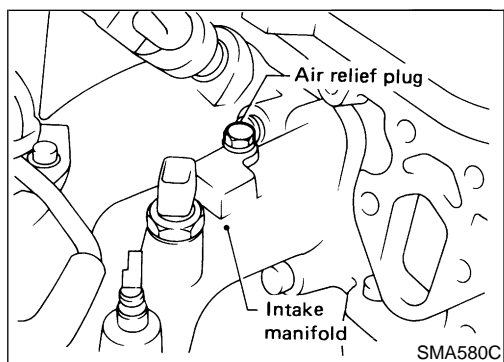
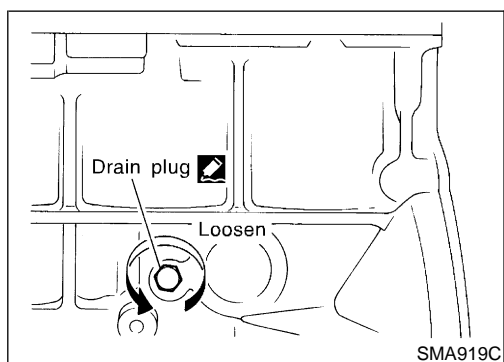
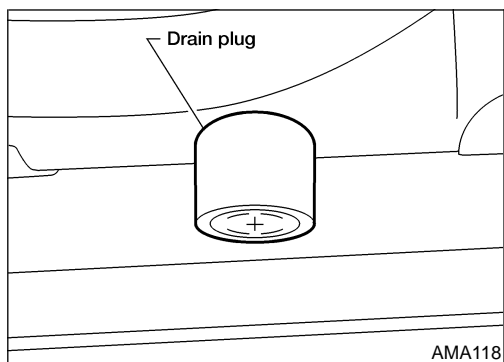
Inspect drive belt deflection or tension when engine is cold.

- Adjust if belt deflections exceed the limit or if belt tension is not within specifications.
- Drive belt tension can be checked at other points on the belt.

DRIVE BELT DEFLECTION AND TENSION

	Deflection adjustment Unit: mm (in)			Tension adjustment *1 Unit: N (kg, lb)		
	Used belt		New belt	Used belt		New belt
	Limit	After adjustment		Limit	After adjustment	
Generator	17 (0.67)	10 - 12 (0.39 - 0.47)	8 - 10 (0.31 - 0.39)	222.4 (22.7, 50)	355.8 - 444.8 (36.3 - 45.4, 80 - 100)	489.3 - 578.2 (49.9 - 59.0, 110 - 130)
Air conditioner compressor	16 (0.63)	10 - 12 (0.39 - 0.47)	8 - 10 (0.31 - 0.39)	200.2 (20.4, 45)	355.8 - 444.8 (36.3 - 45.4, 80 - 100)	489.3 - 578.2 (49.9 - 59.0, 110 - 130)
Power steering oil pump	17 (0.67)	10 - 13 (0.39 - 0.51)	8 - 10 (0.31 - 0.39)	222.4 (22.7, 50)	355.8 - 444.8 (36.3 - 45.4, 80 - 100)	489.3 - 578.2 (49.9 - 59.0, 110 - 130)
Applied pushing force	98 N (10 kg, 22 lb)			—		

*1: If belt tension gauge cannot be installed at check point shown, check belt tension at a different location on the belt.



Changing Engine Coolant

NGMA0057

WARNING:

To avoid being scalded, never change the coolant when the engine is hot.

—DRAINING ENGINE COOLANT—

NGMA0057S01

1. Set air conditioner system as follows to prevent coolant from remaining in the system.
 - a. Turn ignition switch ON and set temperature control lever all the way to hot position for the highest temperature position.
 - b. Wait 10 seconds before turning ignition switch OFF.
2. Open drain plug at the bottom of radiator, and remove radiator cap.
3. Remove reservoir tank, drain coolant, then clean reservoir tank. Install it temporarily.
4. Remove cylinder block drain plug.
5. Open air relief plug.
6. Check drained coolant for contaminants such as rust, corrosion or discoloration. If contaminated flush engine cooling system, "Refer to FLUSHING COOLING SYSTEM", MA-18.

Be careful not to allow coolant to contact drive belts.

—REFILLING ENGINE COOLANT—

NGMA0057S02

1. Install reservoir tank, radiator drain plug and cylinder block drain plug.
 - **Apply sealant to the thread of drain plug.**
🔧 : 34 - 44 N·m (3.5 - 4.5 kg-m, 25 - 33 ft-lb)

2. Fill radiator until coolant spills from the air relief hole, then install air relief plug.

Air relief plug:

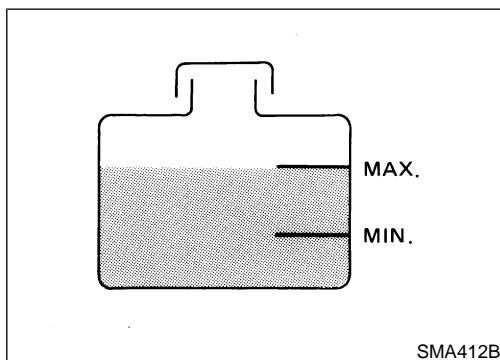
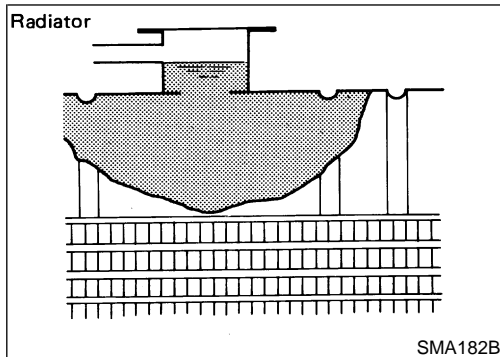
 : 7 - 8 N·m (0.7 - 0.8 kg-m, 61 - 69 in-lb)

- Use 50% genuine NISSAN anti-freeze coolant or equivalent mixed with 50% demineralized water or distilled water.

Unit: ℓ (US qt, Imp qt)

Description	Coolant capacity
Without reservoir tank	6.5 (6-7/8, 5-5/8)
Reservoir tank	0.8 (7/8, 3/4)

- **Pour coolant through coolant filler neck slowly to allow air in system to escape.**



3. Fill radiator and reservoir tank to specified level.
 4. Warm up engine to normal operating temperature without radiator cap installed at idle speed.
- **If coolant overflows radiator filler hole, install radiator cap.**
5. Install radiator cap and run engine at 2,500 rpm for 10 seconds and return to idle speed.
- Repeat two or three times.

CAUTION:

Watch coolant temperature gauge so as not to overheat the engine.

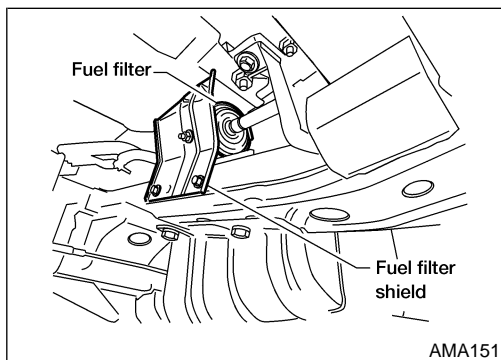
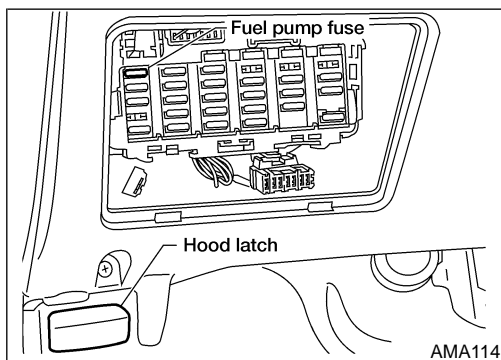
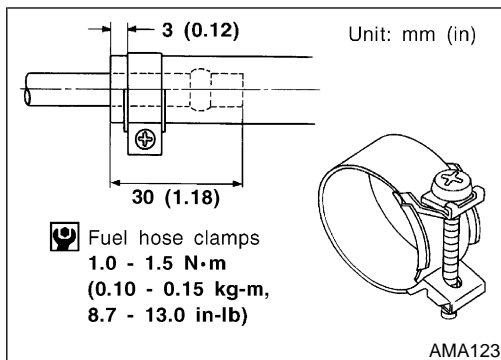
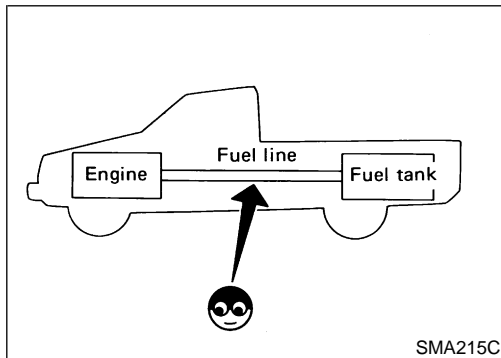
6. Stop engine and cool it down.
- Cool down using a fan to reduce the time.
 - If necessary, refill radiator up to filler neck.
7. Refill reservoir tank to MAX level line.
 8. Repeat steps 5 through 7 two or more times with radiator cap installed until coolant no longer drops.
 9. Check cooling system for leaks with engine running.
 10. Warm up engine, and check for sound of coolant flow while running engine from idle up to 3,000 rpm with heater temperature control lever set at several positions between cold and hot.
- Sound may be noticeable at heater water cock.
11. If sound is heard, bleed air from cooling system by repeating steps 5 through 7 until coolant level no longer drops.
- **Clean excess coolant from engine.**

—FLUSHING COOLING SYSTEM—

NGMA0057S03

1. Open air relief plug.
2. Fill radiator with soft tap water until water spills from the air relief hole, then close air relief plug. Fill radiator and reservoir tank with soft tap water and reinstall radiator cap.
3. Run engine and warm it up to normal operating temperature.
4. Rev engine two or three times under no-load.
5. Stop engine and wait until it cools down.

6. Drain water.
7. Repeat steps 1 through 6 until clear water begins to drain from radiator.



Checking Fuel Lines

Inspect fuel lines and tank for improper attachment, leaks, cracks, damage, chafing and deterioration. If necessary, repair or replace.

NGMA0058

Changing Fuel Filter

CAUTION:

Tighten high-pressure rubber hose clamp so that clamp end is 3 mm (0.12 in) from hose end.

Tightening torque specifications are the same for all rubber hose clamps.

Ensure that the screw does not contact adjacent parts.

NGMA0059

WARNING:

Before removing fuel filter, release fuel pressure from fuel line.

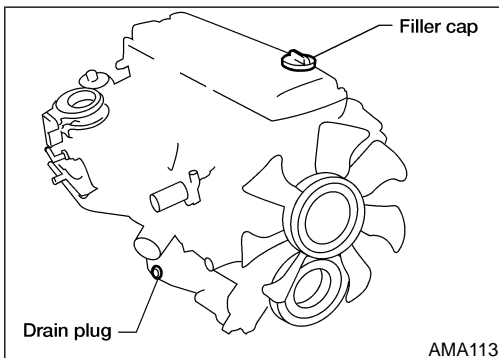
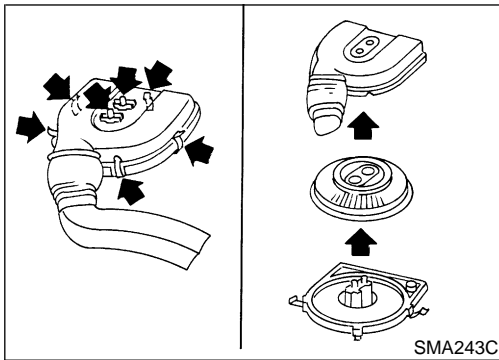
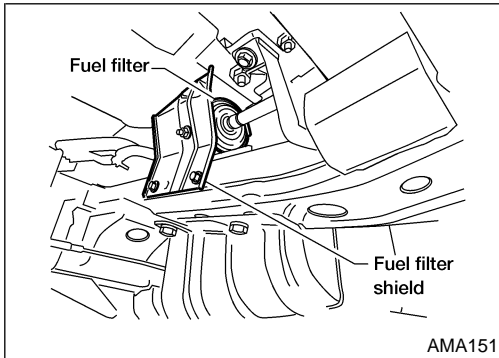
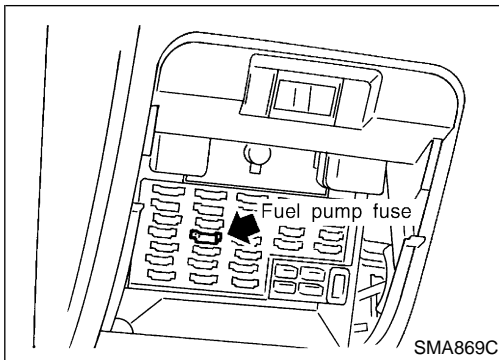
WITH CONSULT - II

1. Start engine.
2. Perform "FUEL PRES RELEASE" in "WORK SUPPORT" mode to release fuel pressure to zero.
3. After engine stalls, crank engine two or three times to make sure that fuel pressure is released.
4. Turn ignition switch "OFF".

NGMA0059S01

5. Remove the fuel filter shield.
6. Loosen fuel hose clamps.
7. Replace fuel filter.
 - Be careful not to spill fuel over engine compartment. Place a shop towel to absorb fuel.
 - Use a high-pressure type fuel filter. Do not use a synthetic resinous fuel filter.
 - Properly tighten fuel hose clamps. Refer to "Checking Fuel Lines", MA-19.

Changing Fuel Filter (Cont'd)



⊗ WITHOUT CONSULT - II

NGMA0059S02

1. Remove fuel pump fuse. For correct fuse location, refer to label on fuse block cover.
2. Start engine.
3. After engine stalls, crank engine two or three times to make sure that fuel pressure is released.
4. Turn ignition switch "OFF" and install fuel pump fuse.

5. Remove the fuel filter shield.
6. Loosen fuel hose clamps.
7. Replace fuel filter.
 - Be careful not to spill fuel over engine compartment. Place a shop towel to absorb fuel.
 - Use a high-pressure type fuel filter. Do not use a synthetic resinous fuel filter.
 - Properly tighten fuel hose clamps. Refer to "Checking Fuel Lines", MA-19.

Changing Air Cleaner Filter

NGMA0060

The viscous paper type filter does not need cleaning between renewals.

Changing Engine Oil

NGMA0061

WARNING:

- Be careful not to burn yourself, as the engine oil is hot.
 - Prolonged and repeated contact with used engine oil may cause skin cancer; try to avoid direct skin contact with used oil. If skin contact is made, wash thoroughly with soap or hand cleaner as soon as possible.
1. Warm up engine, and check for oil leakage from engine components.
 2. Remove drain plug and oil filler cap.
 3. Drain oil and refill with new engine oil.

Oil specification and viscosity:


- API Certification Mark
- API grade SG/SH, Energy Conserving I & II or API grade SJ, Energy Conserving
- ILSAC grade GF-I & GF-II
- Refer to "RECOMMENDED FLUIDS AND LUBRICANTS", MA-13.

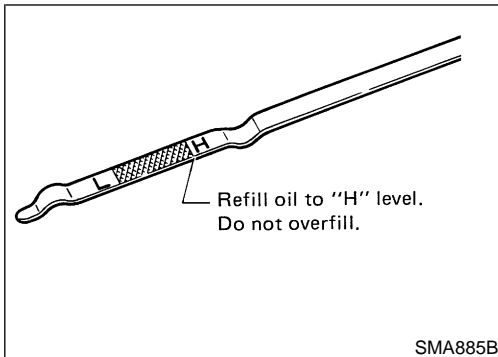
Oil capacity (Approximately):

Unit: ℓ (US qt, Imp qt)

Drain and refill	with oil filter change	3.5 (3-3/4, 3-1/8)
	without oil filter change	3.3 (3-1/2, 2-7/8)
Dry engine (engine overhaul)		4.1 (4-3/8, 3-5/8)

CAUTION:

- Be sure to clean drain plug and install with new washer.
Drain plug:
 : 29 - 39 N·m (3.0 - 4.0 kg·m, 22 - 29 ft·lb)
- The refill capacity depends on the oil temperature and drain time. Use these specifications for reference only. Always use the dipstick to determine when the proper amount of oil is in the engine.



4. Check oil level.
5. Start engine and check area around drain plug and oil filter for oil leakage.
6. Run engine for a few minutes, then turn it off. After several minutes, check oil level.

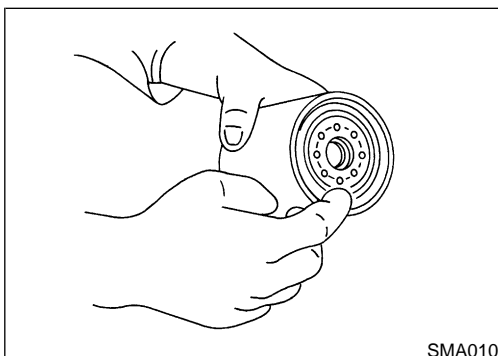
Changing Oil Filter

NGMA0062

1. Remove oil filter with Tool.
 The filter is a full-flow cartridge type and is provided with a relief valve. Refer to **LC-7**, "Oil Filter".

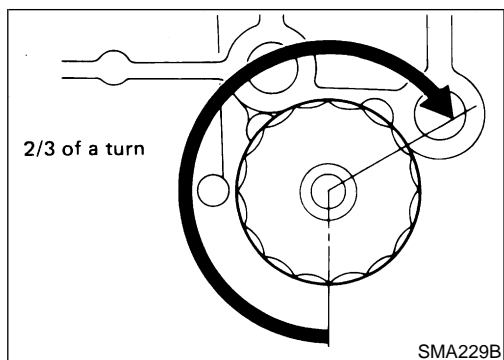
WARNING:

Be careful not to burn yourself. Engine and engine oil are hot.



2. Clean oil filter mounting surface on cylinder block. Coat rubber seal of new oil filter with engine oil.

Changing Oil Filter (Cont'd)

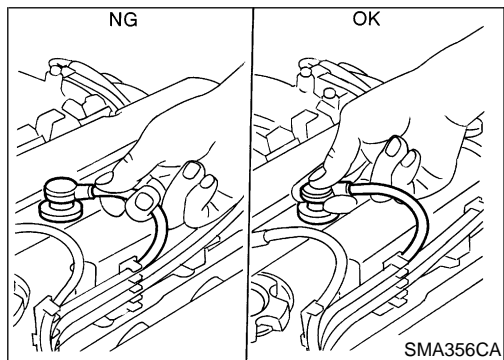


3. Screw in the oil filter until a slight resistance is felt, then tighten additionally more than 2/3 of a turn.

4. Add engine oil.

Refer to "Changing Engine Oil", MA-20.

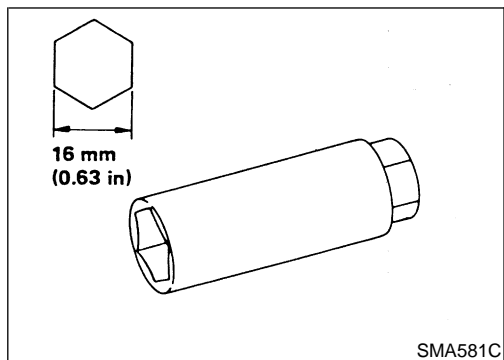
- Clean excess oil from engine.



Changing Spark Plugs

NGMA0063

1. Disconnect ignition wires from spark plugs at boot. Do not pull on the wire.



2. Remove spark plugs with spark plug wrench.

Spark plug:

Make	NGK - Double Platinum-tipped
Standard type	PFR5G-11
Cold type	PFR6G-11

Use standard type spark plug under normal conditions. The cold type spark plug is suitable when spark knock occurs with the standard spark plug under conditions such as:

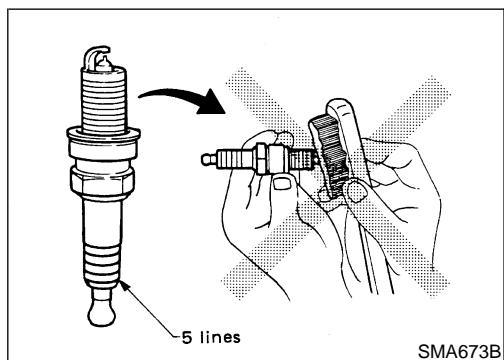
- extended highway driving
- frequent high engine revolution
- **Do not use a wire brush for cleaning.**
- If plug tip is covered with carbon, spark plug cleaner may be used.

Cleaner air pressure:

Less than 588 kPa (6 kg/cm², 85 psi)

Cleaning time:

Less than 20 seconds



- **Checking and adjusting plug gap is not required between change intervals.**

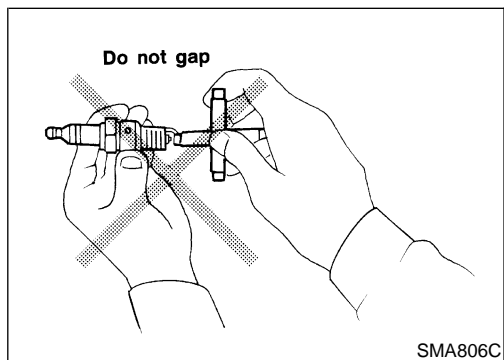
Spark plug (Double Platinum-tipped type)

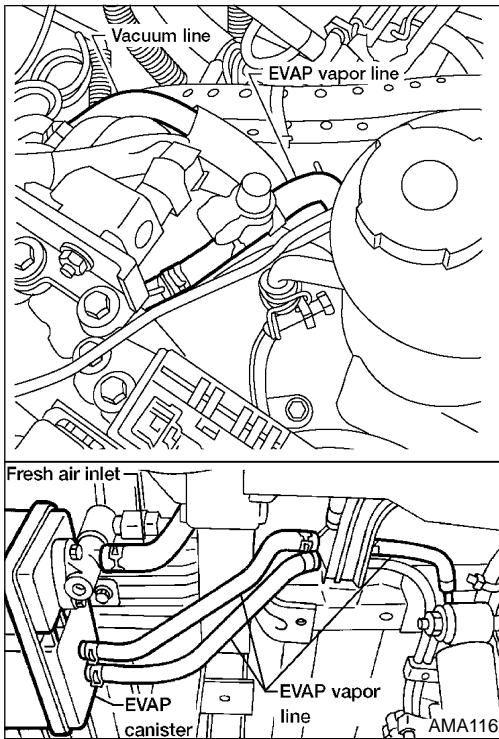
Gap (Nominal): 1.1 mm (0.043 in)

3. Install spark plugs. Reconnect ignition wires according to numbers indicated on them.

Spark plug:

: 20 - 29 N·m (2.0 - 3.0 kg·m, 14 - 22 ft·lb)





Checking EVAP Vapor Lines

NGMA0064

1. Visually inspect EVAP vapor lines for improper attachment and for cracks, damage, loose connections, chafing and deterioration.
2. Inspect fuel tank filler cap vacuum relief valve for clogging, sticking, etc.
Refer to **EC-34**, "EVAPORATIVE EMISSION SYSTEM".

GI

MA

EM

LC

EC

FE

CL

MT

Changing Positive Crankcase Ventilation (PCV) Filter

NGMA0065

Remove air cleaner cover and take out PCV filter located inside air cleaner cover. Then install new PCV filter.

AT

TF

PD

AX

SU

BR

ST

RS

BT

HA

SC

EL

IDX

Engine Maintenance

KA24DE

Drive Belt Deflection and Tension

NGMA0066

NGMA0066S01

	Deflection adjustment Unit: mm (in)			Tension adjustment *1 Unit: N (kg, lb)		
	Used belt		New belt	Used belt		New belt
	Limit	After adjustment		Limit	After adjustment	
Generator	17 (0.67)	10 - 12 (0.39 - 0.47)	8 - 10 (0.31 - 0.39)	222.4 (22.7, 50)	355.8-444.8 (36.3-45.4, 80-100)	489.3-578.2 (49.9-59.0, 110-130)
Air conditioner compressor	16 (0.63)	10 - 12 (0.39 - 0.47)	8 - 10 (0.31 - 0.39)	200.2 (20.4, 45)	355.8-444.8 (36.3-45.4, 80-100)	489.3-578.2 (49.9-59.0, 110-130)
Power steering oil pump	17 (0.67)	10 - 13 (0.39 - 0.51)	8 - 10 (0.31 - 0.39)	222.4 (22.7, 50)	355.8-444.8 (36.3-45.4, 80-100)	489.3-578.2 (49.9-59.0, 110-130)
Applied pushing force	98 N (10 kg, 22 lb)			—		

*1: If belt tension gauge cannot be installed at check point shown, check belt tension at a different location on the belt.

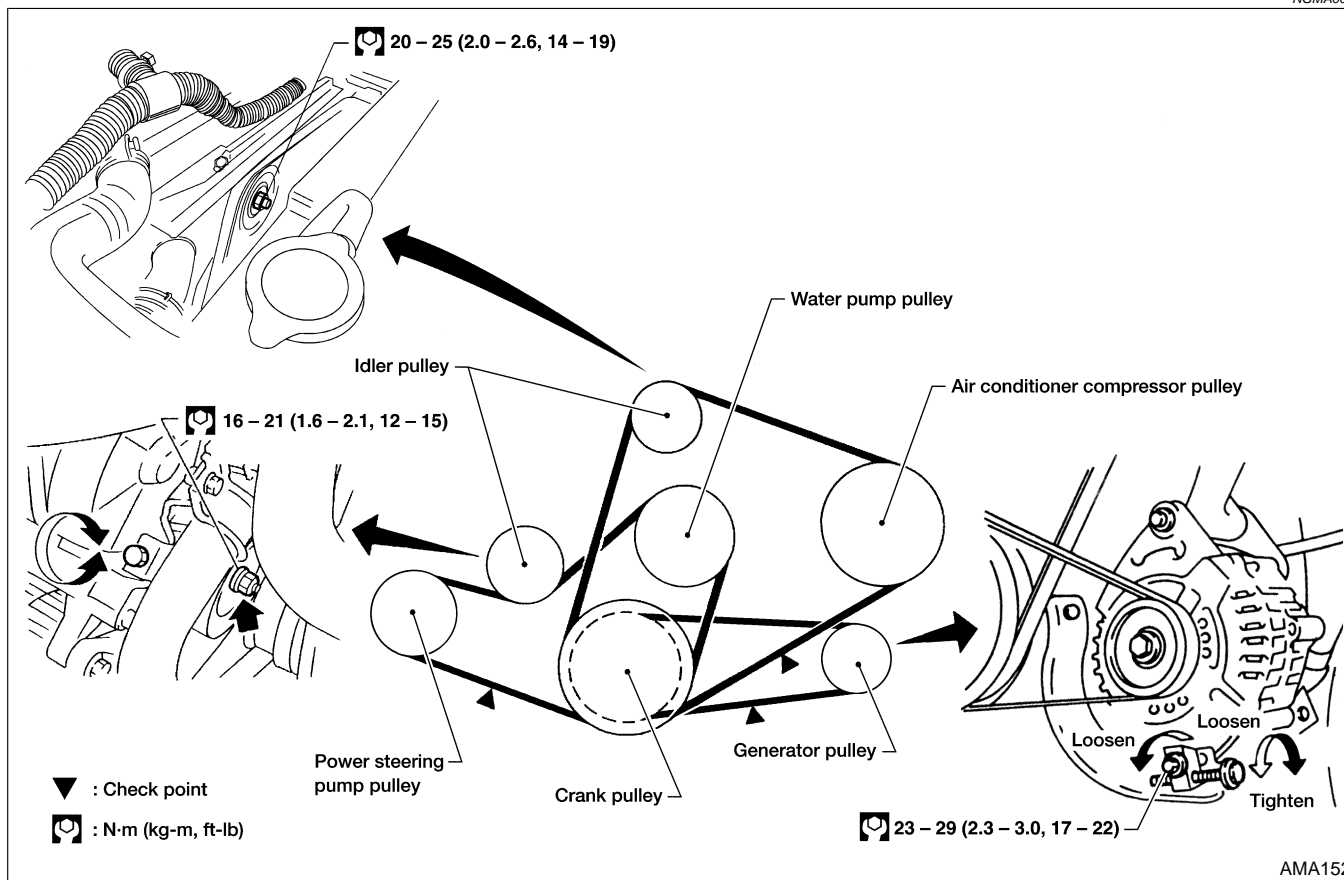
Spark Plug

NGMA0066S02

Make	NGK—Double Platinum-tipped
Standard type	PFR5G-11
Cold type	PFR6G-11
Gap (nominal)	1.1 mm (0.043 in)

Checking Drive Belts

NGMA0016



1. Inspect belt for cracks, fraying, wear and oil. If necessary, replace.
2. Inspect drive belt deflection or tension at a point on the belt midway between pulleys.

Check belt tension using belt tension gauge (BT3373-F or equivalent).

Inspect drive belt deflection or tension when engine is cold.

- Adjust if belt deflections exceed the limit or if belt tension is not within specifications
- Drive belt tension can be checked at other points on the belt.

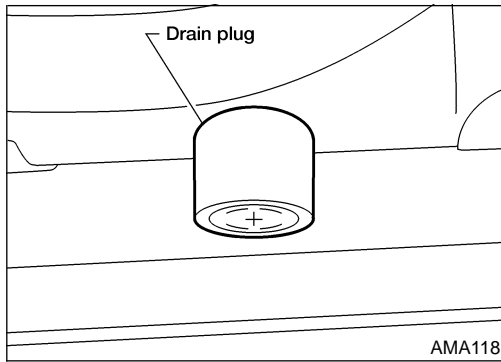
DRIVE BELT DEFLECTION AND TENSION

NGMA0016S01

	Deflection adjustment Unit: mm (in)			Tension adjustment *1 Unit: N (kg, lb)		
	Used belt		New belt	Used belt		New belt
	Limit	After adjustment		Limit	After adjustment	
Generator	11 (0.43)	7 - 8 (0.24 - 0.31)	6 - 7 (0.24 - 0.28)	226 (23, 51)	554.1 - 642.4 (56.5 - 65.5, 124.6 - 144.4)	671.8 - 760.0 (68.5 - 77.5, 151.0 - 170.9)
Air conditioner compressor	18 (0.71)	12 - 13 (0.47 - 0.51)	10.5 - 11.5 (0.413 - 0.453)	196 (20, 44)	495.3 - 583.5 (50.5 - 59.5, 111.4 - 131.2)	603.1 - 691.4 (61.5 - 70.5, 135.6 - 155.5)
Power steering oil pump	15 (0.59)	9.5 - 10.5 (0.374 - 0.413)	8 - 9 (0.31 - 0.35)	275 (28, 62)	554.1 - 642.4 (56.5 - 65.5, 124.6 - 144.4)	671.8 - 760.0 (68.5 - 77.5, 151.0 - 170.9)
Applied pushing force	98 N (10 kg, 22 lb)			—		

*1: If belt tension gauge cannot be installed at check point shown, check belt tension at a different location on the belt.

Changing Engine Coolant



Changing Engine Coolant

NGMA0017

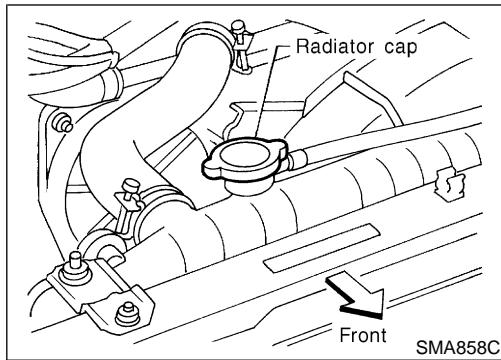
WARNING:

To avoid the danger of being scalded, never change the coolant when the engine is hot.

—DRAINING ENGINE COOLANT—

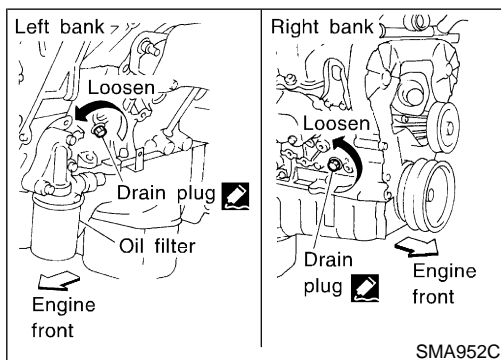
NGMA0017S01

1. Set air conditioning system as follows to prevent coolant from remaining in the system.
 - a. Turn ignition switch "ON" and set temperature controller to maximum hot position.
 - b. Wait 10 seconds before turning ignition switch "OFF".
2. Open radiator drain plug at the bottom of radiator and remove radiator cap.

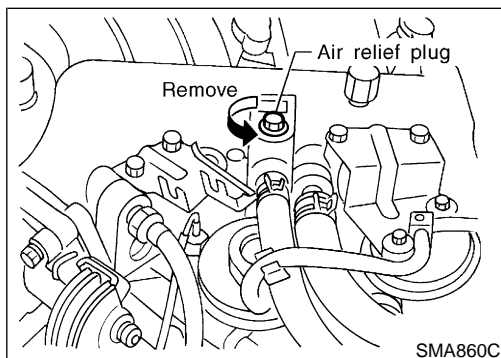


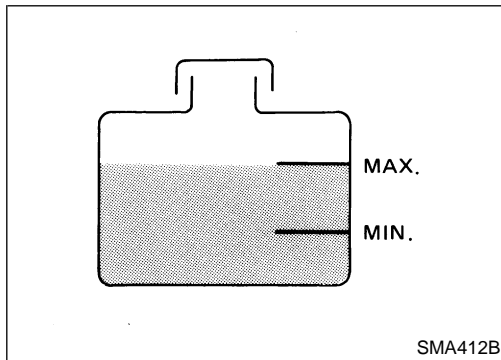
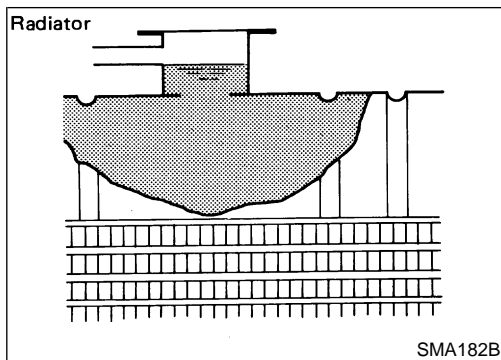
3. Remove reservoir tank, drain coolant, then clean reservoir tank. Install it temporarily.

- Be careful not to allow coolant to contact drive belts.



4. Remove cylinder block drain plugs and air relief plug.
5. Check drained coolant for contaminants such as rust, corrosion or discoloration. If contaminated flush engine cooling system. Refer to "FLUSHING COOLING SYSTEM", MA-27.





—REFILLING ENGINE COOLANT—

NGMA0017S02

1. Install reservoir tank, radiator drain plug, and cylinder block drain plugs.
 - **Apply sealant to the thread of cylinder block drain plug.**
 $\text{Torque: } 34.3 - 44.1 \text{ N}\cdot\text{m} (3.5 - 4.5 \text{ kg}\cdot\text{m}, 25 - 33 \text{ ft}\cdot\text{lb})$
2. Fill radiator slowly until coolant spills from the air relief hole, then install air relief plug.

Air relief plug:

$\text{Torque: } 7 - 8 \text{ N}\cdot\text{m} (0.7 - 0.8 \text{ kg}\cdot\text{m}, 61 - 69 \text{ in}\cdot\text{lb})$

3. Fill radiator and reservoir tank to specified level.
 - Pour coolant through coolant filler neck slowly to allow air in system to escape.
 - Use 50% genuine NISSAN anti-freeze coolant or equivalent mixed with 50% demineralized water or distilled water.

Coolant capacity (Without reservoir tank):

$10.15 \text{ l} (10\text{-}3/4 \text{ US qt}, 8\text{-}7/8 \text{ Imp qt})$

Reservoir tank capacity (for MAX level):

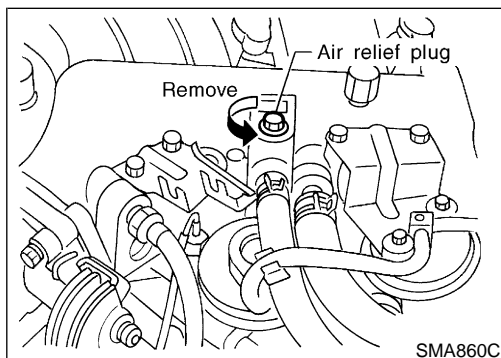
$0.8 \text{ l} (7/8 \text{ US qt}, 3/4 \text{ Imp qt})$

4. Warm up engine to normal operating temperature without radiator cap installed.
 - If the coolant overflows through the radiator filler hole, install radiator cap.
5. Install radiator cap and run engine at 3,000 rpm for 10 seconds and return to idle speed.
 - Repeat two or three times.

CAUTION:

Watch coolant temperature gauge so as not to overheat the engine.

6. Stop engine and cool it down.
 - Cool down using a fan to reduce the time.
 - If necessary, refill radiator up to filler neck with coolant.
7. Refill reservoir tank to MAX line with coolant.
8. Repeat step 5 through step 7 two or more times with radiator cap installed until coolant level no longer drops.
9. Check cooling system for leaks with engine running.
10. Warm up engine, and check for sound of coolant flow while running engine from idle up to 3,000 rpm with heater temperature control set at several positions between cold and hot.
 - Sound may be noticeable at heater water cock.
11. If sound is heard, bleed air from cooling system by repeating steps 5 through 7 until coolant level no longer drops.
 - **Clean excess coolant from engine.**

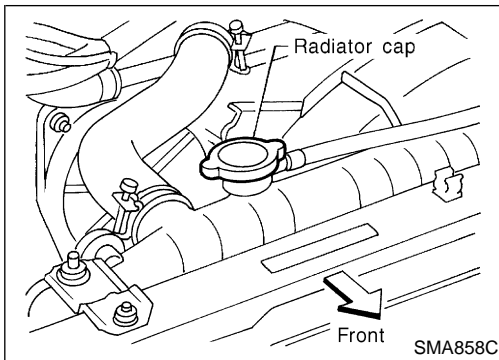


—FLUSHING COOLING SYSTEM—

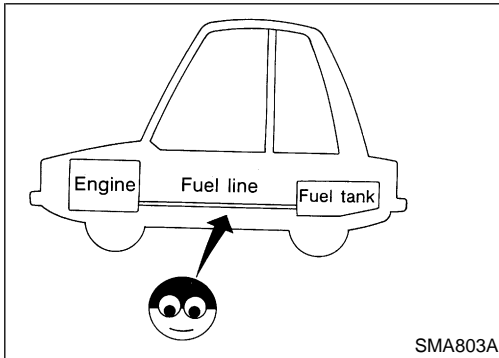
NGMA0017S04

1. Open air relief plug.

Changing Engine Coolant (Cont'd)



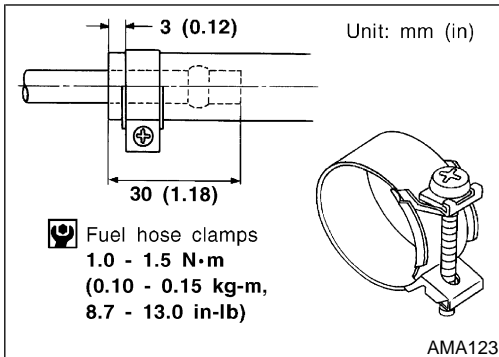
2. Fill radiator with water until water spills from the air relief hole, then close air relief plug. Fill radiator and reservoir tank with water and reinstall radiator cap.
3. Run engine and warm it up to normal operating temperature.
4. Rev engine two or three times under no-load.
5. Stop engine and wait until it cools down.
6. Drain the water. Refer to "DRAINING ENGINE COOLANT", MA-26.
7. Repeat steps 1 through 6 until clear water begins to drain from radiator.



Checking Fuel Lines

Inspect fuel lines and tank for improper attachment, leaks, cracks, damage, loose connections, chafing or deterioration. If necessary, repair or replace faulty parts.

NGMA0018

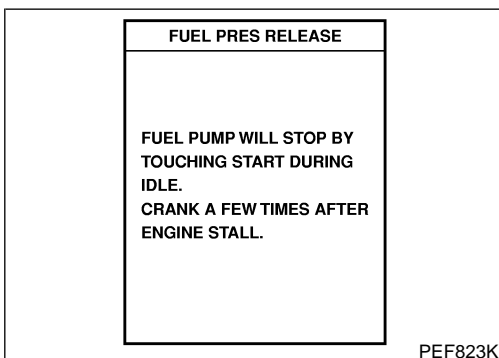


Changing Fuel Filter

CAUTION:

Tighten high-pressure rubber hose clamp so that clamp end is 3 mm (0.12 in) from hose end. Tightening torque specifications are the same for all rubber hose clamps. Ensure that screw does not contact adjacent parts.

NGMA0019



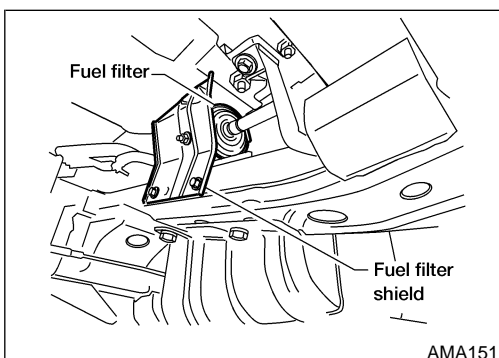
WARNING:

Before removing fuel filter, release fuel pressure from fuel line.

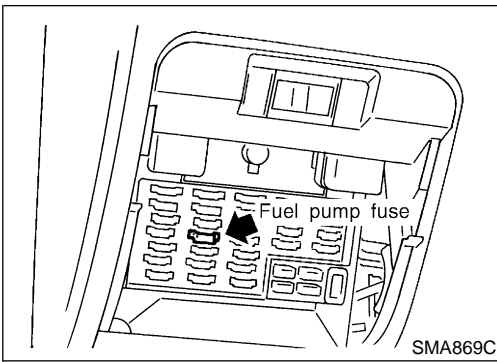
WITH CONSULT - II

1. Start engine.
2. Perform "FUEL PRES RELEASE" in "WORK SUPPORT" mode to release fuel pressure to zero.
3. After engine stalls, crank engine two or three times to make sure that fuel pressure is released.
4. Turn ignition switch "OFF".

NGMA0019S01



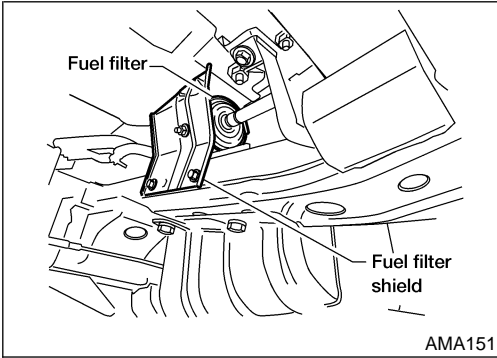
5. Remove the fuel filter shield.
6. Loosen fuel hose clamps.
7. Replace fuel filter.
 - Be careful not to spill fuel over engine compartment. Place a shop towel to absorb fuel.
 - Use a high-pressure type fuel filter. Do not use a synthetic resinous fuel filter.
 - Properly tighten fuel hose clamps. Refer to "Checking Fuel Lines", MA-28.



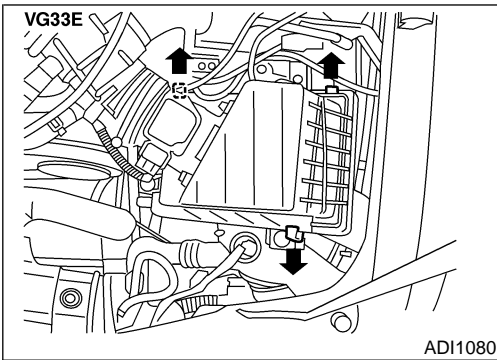
⊗ WITHOUT CONSULT - II

NGMA0019S02

1. Remove fuel pump fuse.
2. Start engine.
3. After engine stalls, crank engine two or three times to make sure that fuel pressure is released.
4. Turn ignition switch "OFF" and install fuel pump fuse.



5. Remove the fuel filter shield
6. Loosen fuel hose clamps.
7. Replace fuel filter.
 - Be careful not to spill fuel over engine compartment. Place a shop towel to absorb fuel.
 - Use a high-pressure type fuel filter. Do not use a synthetic resinous fuel filter.
 - Properly tighten fuel hose clamps. Refer to "Checking Fuel Lines", MA-28.



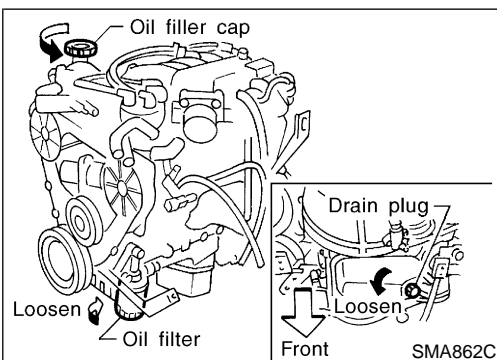
Changing Air Cleaner Filter

NGMA0020

VISCOUS PAPER TYPE

NGMA0020S01

The viscous paper type filter does not need cleaning between replacement intervals.



Changing Engine Oil

NGMA0021

WARNING:

- Be careful not to burn yourself, as the engine oil is hot.
- Prolonged and repeated contact with used engine oil may cause skin cancer; try to avoid direct skin contact with used oil. If skin contact is made, wash thoroughly with soap or hand cleaner as soon as possible.

1. Warm up engine, and check for oil leakage from engine components.
2. Stop engine and wait for more than 10 minutes.
3. Remove drain plug and oil filler cap.
4. Drain oil and refill with new engine oil.

Oil specification and viscosity


- API SG or SH and Energy Conserving I & II or API grade SJ, Energy Conserving
- API Certification Mark
- ILSAC grade GF-I & GF-II
- See "RECOMMENDED FLUIDS AND LUBRICANTS", MA-13.

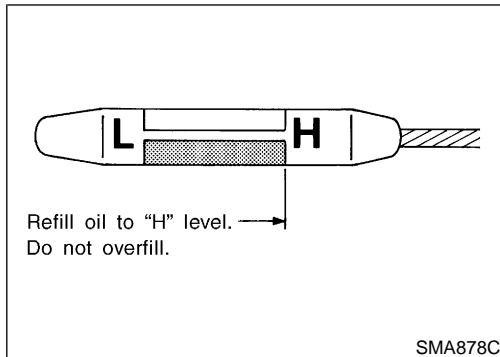
Refill oil capacity (Approximately) :

Unit: ℓ (US qt, Imp qt)

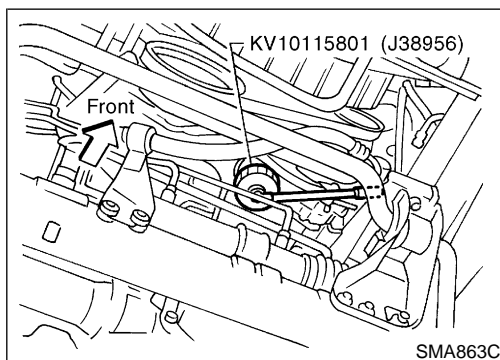
Drain and refill		
	with oil filter change	3.3 (3-1/2, 2-7/8)
	without oil filter change	3.0 (3-1/8, 2-5/8)
Dry engine (engine overhaul)		3.8 (4, 3-3/8)

CAUTION:

- Be sure to clean drain plug and install with new washer.
Oil pan drain plug:
 : 29 - 39 N·m (3.0 - 4.0 kg-m, 22 - 29 ft-lb)
- The refill capacity depends on the oil temperature and drain time; use the "Refill oil capacity" values as a reference and be certain to check with the dipstick when changing the oil.



5. Warm up engine and check area around drain plug and oil filter for oil leakage.
6. Stop engine and wait for more than 10 minutes.
7. Check oil level.



Changing Oil Filter

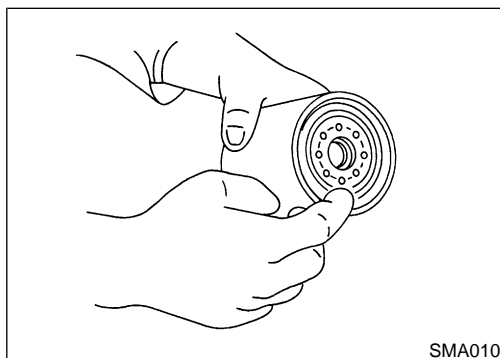
NGMA0022

1. Remove oil filter with Tool.

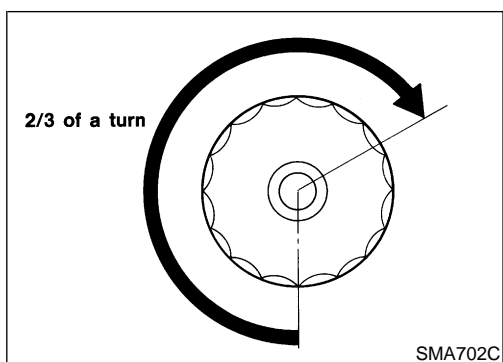
WARNING:

Be careful not to burn yourself, as the engine and engine oil are hot.

The filter is a full-flow cartridge type and is provided with a relief valve.



2. Clean oil filter mounting surface on cylinder block. Coat rubber seal of new oil filter with engine oil.

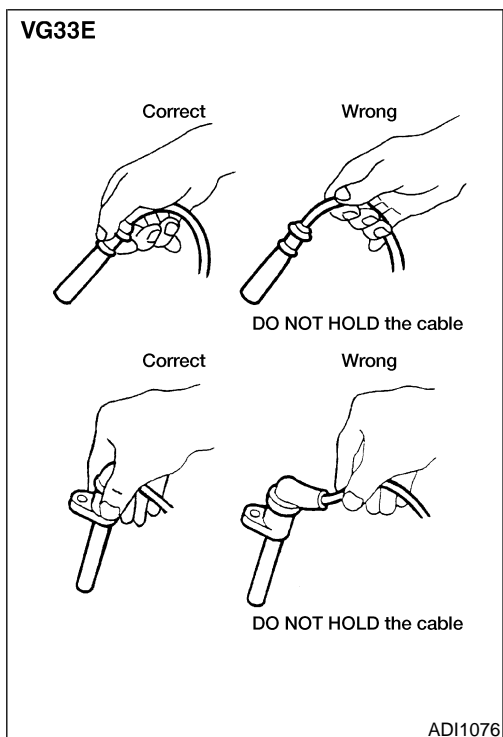


3. Screw in the oil filter until a slight resistance is felt, then tighten an additional 2/3 turn.

4. Add engine oil.

Refer to "Changing Engine Oil", MA-29.

- Clean excess oil from engine.



Changing Spark Plugs

NGMA0023

1. Disconnect ignition wires from spark plugs at boot. Do not pull on the wire.
2. Remove spark plugs with 16 mm (0.63 in) spark plug wrench.
3. Check type and gap of new spark plug.

Spark plug type:

Make	NGK - Double Platinum-tipped
Standard type	PFR5G-11
Cold type	PFR6G-11
Hot type	PFR4G-11

Use standard type spark plug for normal conditions.

The hot type spark plug is suitable when fouling occurs with the standard type spark plug under conditions such as:

- frequent engine starts
- low ambient temperatures

The cold type spark plug is suitable when spark knock occurs with the standard type spark plug under conditions such as:

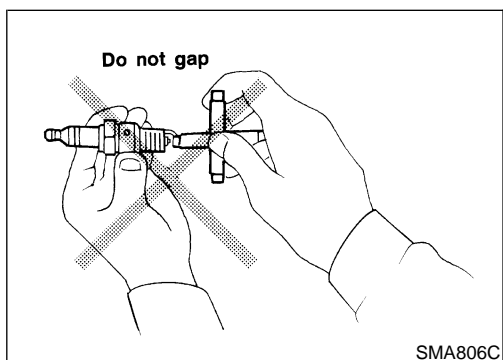
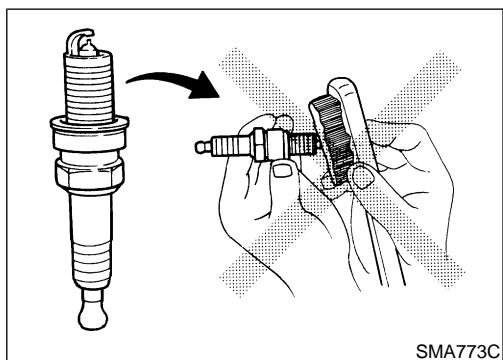
- extended highway driving
- frequent high engine revolution
- **Do not use a wire brush for cleaning.**
- **If plug tip is covered with carbon, spark plug cleaner may be used.**

Cleaner air pressure:

Less than 588 kPa (6 kg/cm², 85 psi)

Cleaning time:

Less than 20 seconds

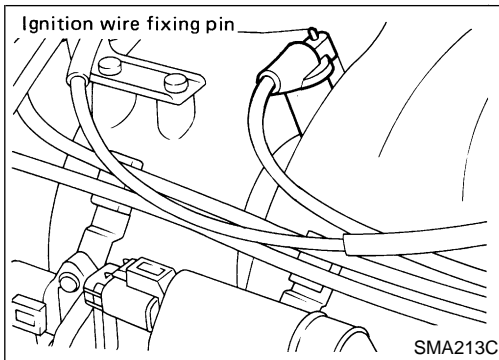


- **Checking and adjusting plug gap is not required between change intervals.**

Spark plug (Double Platinum-tipped)


Gap (Nominal): 1.1 mm (0.043 in)

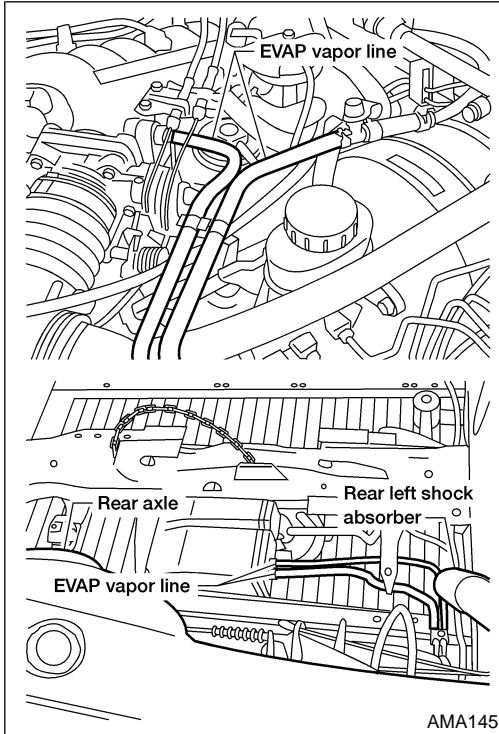
Changing Spark Plugs (Cont'd)



When installing spark plugs to No. 2 and 4 cylinders, securely fit each ignition wire mounting hole onto the ignition wire fixing pin.

Spark plug:

 : 20 - 29 N·m (2.0 - 3.0 kg·m, 14 - 22 ft·lb)



Checking EVAP Vapor Lines

NGMA002.4

1. Visually inspect EVAP vapor lines for improper attachment, cracks, damage, loose connections, chafing or deterioration.
2. Inspect vacuum relief valve of fuel tank filler cap for clogging, sticking, etc.

Refer to EC-619, "DESCRIPTION".

Engine Maintenance

VG33E

Drive Belt Deflection and Tension

NGMA0054

NGMA0054S01

	Deflection adjustment Unit: mm (in)			Tension adjustment *1 Unit: N (kg, lb)		
	Used belt		New belt	Used belt		New belt
	Limit	After adjustment		Limit	After adjustment	
Generator	11 (0.43)	7 - 8 (0.24 - 0.31)	6 - 7 (0.24 - 0.28)	226 (23, 51)	554.1 - 642.4 (56.5 - 65.5, 124.6 - 144.4)	671.8 - 760.0 (68.5 - 77.5, 151.0 - 170.9)
Air conditioner compressor	18 (0.71)	12 - 13 (0.47 - 0.51)	10.5 - 11.5 (0.413 - 0.435)	196 (20, 44)	495.3 - 583.5 (50.5 - 59.5, 111.4 - 131.2)	603.1 - 691.4 (61.5 - 70.5, 135.6 - 155.5)
Power steering oil pump	15 (0.59)	9.5 - 10.5 (0.374 - 0.413)	8 - 9 (0.31 - 0.35)	275 (28, 62)	554.1 - 642.4 (56.5 - 65.5, 124.6 - 144.4)	671.8 - 760.0 (68.5 - 77.5, 151.0 - 170.9)
Applied pushing force	98 N (10 kg, 22 lb)			—		

*1: If belt tension gauge cannot be installed at check point shown, check belt tension at a different location on the belt.

Spark Plug

NGMA0054S02

Make	NGK - Double Platinum-tipped
Standard type	PFR5G-11
Cold type	PFR6G-11
Hot type	PFR4G-11
Gap (nominal)	1.1 mm (0.043 in)

GI

MA

EM

LC

EC

FE

CL

MT

AT

TF

PD

AX

SU

BR

ST

RS

BT

HA

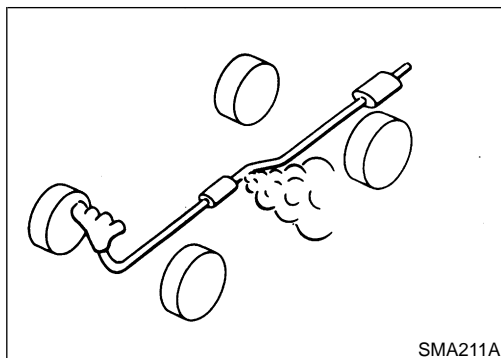
SC

EL

IDX

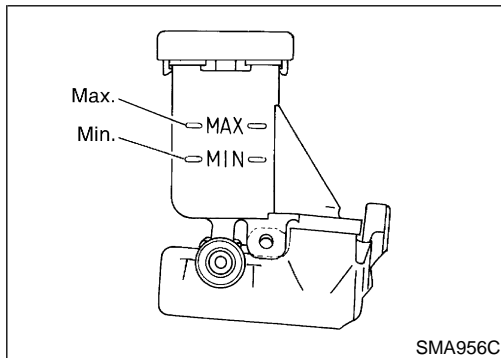
CHASSIS AND BODY MAINTENANCE

Checking Exhaust System



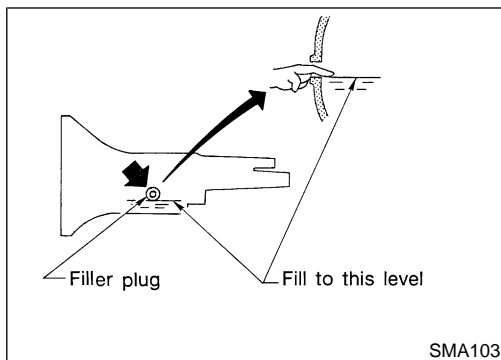
Checking Exhaust System

Check exhaust pipes, muffler and mounting for improper attachment, leaks, cracks, damage, loose connections, chafing or deterioration. NGMA0025



Checking Clutch Fluid Level and Leaks

If fluid level is extremely low, check clutch system for leaks. NGMA0026



Checking M/T Oil

Check for oil leakage and oil level. NGMA0027

Never start engine while checking oil level.

Filler plug:

⌚ : 25 - 34 N-m (2.5 - 3.5 kg-m, 18 - 25 ft-lb)

Changing M/T Oil

1. Drain oil from drain plug and refill with new gear oil. NGMA0028
2. Check oil level.

Oil grade and viscosity:

API GL-4. Refer to "RECOMMENDED FLUIDS AND LUBRICANTS", MA-13.

Oil capacity:

FS5W71C

2WD 2.0 ℓ (4-1/4 US pt, 3-1/2 Imp pt)

FS5R30A

2WD 2.8 ℓ (5-7/8 US pt, 4-7/8 Imp pt)

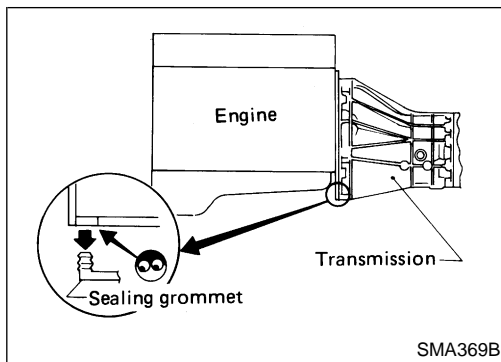
4WD 5.1 ℓ (10-3/4 US pt, 9 Imp pt)

Drain plug:

⌚ : 25 - 34 N-m (2.5 - 3.5 kg-m, 18 - 25 ft-lb)

CHASSIS AND BODY MAINTENANCE

Checking Water Entry — For 4WD models with M/T



Checking Water Entry — For 4WD models with M/T

Check water entry in the clutch housing by removing the sealing grommet, whenever driving in deep water or mud.

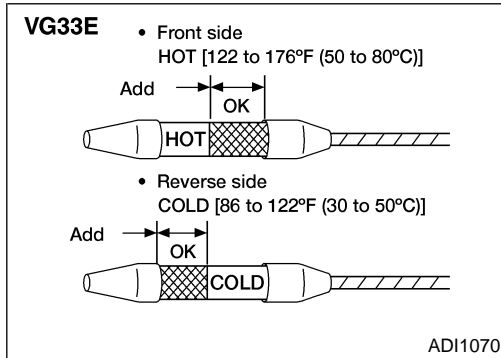
NGMA0029

GI

MA

EM

LC



Checking A/T Fluid

NGMA0030

EC

FE

CL

MT

AT

TF

PD

AX

SU

BR

ST

RS

BT

HA

SC

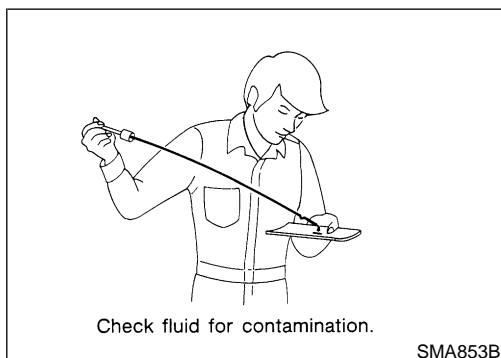
EL

IDX

1. Warm up engine.
2. Check for fluid leakage.
3. Before driving, fluid level can be checked at fluid temperatures of 30 to 50°C (86 to 122°F) using "COLD" range on dipstick.
 - a. Park vehicle on level surface and set parking brake.
 - b. Start engine and move selector lever through each gear position. Leave selector lever in "P" position.
 - c. Check fluid level with engine idling.
 - d. Remove dipstick and note reading. If level is at low side of either range, and fluid to the charging pipe.
 - e. Re-insert dipstick into charging pipe as far as it will go.
 - f. Remove dipstick and note reading. If reading is at low side of range, add fluid to the charging pipe.

Do not overfill.

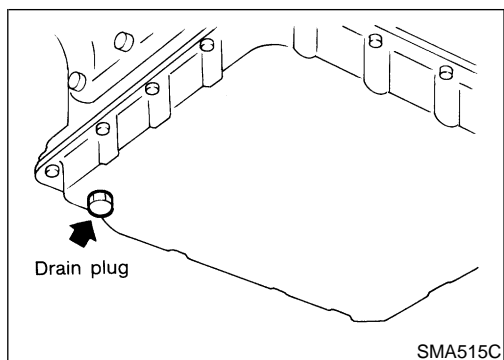
4. Drive vehicle for approximately 5 minutes in urban areas.
5. Re-check fluid level at fluid temperatures of 50 to 80°C (122 to 176°F) using "HOT" range on dipstick.



6. Check fluid condition.
 - If fluid is very dark or smells burned, refer to **AT-58**, "FLUID CONDITION CHECK". Flush cooling system after repair of A/T.
 - If A/T fluid contains frictional material (clutches, bands, etc.), replace radiator and flush cooler line using cleaning solvent and compressed air after repair of A/T. Refer to **LC-31**, "REMOVAL AND INSTALLATION".

CHASSIS AND BODY MAINTENANCE

Changing A/T Fluid



Changing A/T Fluid

=NGMA0031

1. Warm up A/T fluid.
2. Stop engine.
3. Drain A/T fluid from drain plug and refill with new A/T fluid. Always refill same volume with drained fluid.

Fluid grade:

NISSAN Matic "D" (Continental U.S. and Alaska) or Canada NISSAN Automatic Transmission Fluid. Refer to "RECOMMENDED FLUIDS AND LUBRICANTS", MA-13.

Fluid capacity (With torque converter):

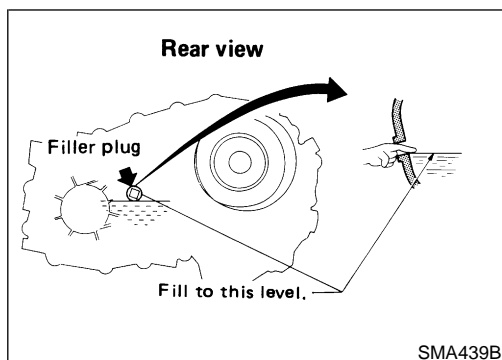
2WD 8.3 ℓ (8-3/4 US qt, 7-1/4 Imp qt)

4WD 8.5 ℓ (9 US qt, 7-1/2 Imp qt)

Drain plug:

🔧 : 29 - 39 N·m (3.0 - 4.0 kg·m, 22 - 29 ft·lb)

4. Run engine at idle speed for five minutes.
5. Check fluid level and condition. Refer to "Checking A/T Fluid", MA-35. If fluid is still dirty, repeat steps 2 through 5.



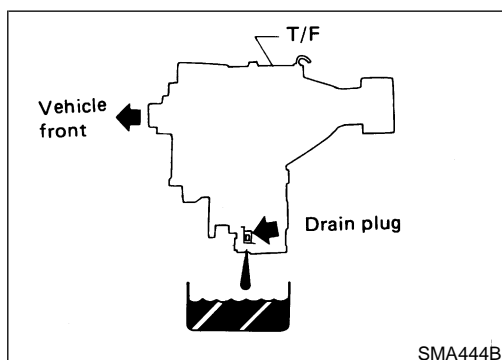
Checking Transfer Fluid

NGMA0032

Check for fluid leakage and fluid level.
A/T fluid is used for the transfer in the factory.
Never start engine while checking fluid level.

Filler plug:

🔧 : 25 - 34 N·m (2.5 - 3.5 kg·m, 18 - 25 ft·lb)



Changing Transfer Fluid

NGMA0033

When changing transfer fluid completely, A/T fluid may be used.

Fluid grade:

NISSAN Matic "D" (Continental U.S. and Alaska) or Canada NISSAN Automatic Transmission Fluid or API GL-4.

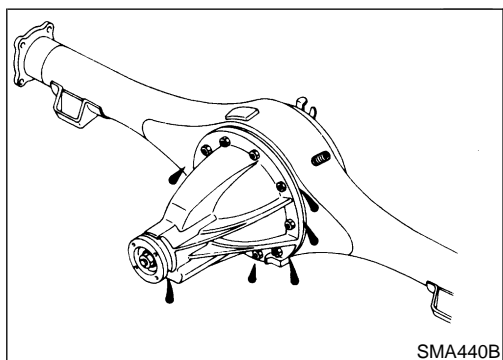
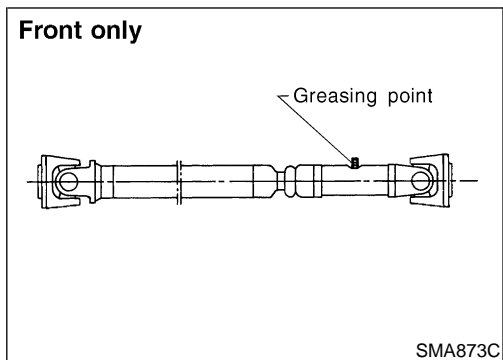
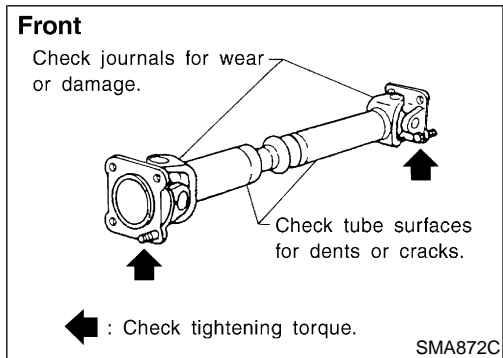
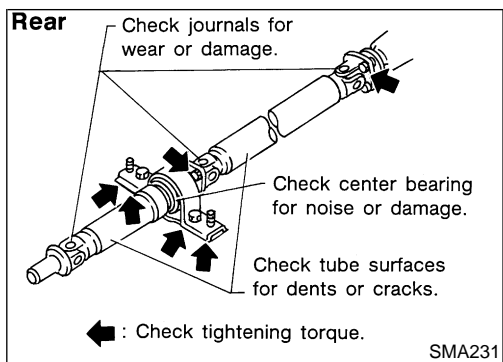
Refer to "RECOMMENDED FLUIDS AND LUBRICANTS", MA-13.

Fluid capacity:

2.2 ℓ (2-3/8 US qt, 2 Imp qt)

Drain plug:

🔧 : 25 - 34 N·m (2.5 - 3.5 kg·m, 18 - 25 ft·lb)



Checking Propeller Shaft

Check propeller shaft for damage, looseness or grease leakage. ^{NGMA0034}

Tightening torque: Refer to PD-8, "Components".

Greasing Propeller Shaft

Apply specified grease to nipples provided on propeller shaft. ^{NGMA0035}

Grease grade:

Refer to "RECOMMENDED FLUIDS AND LUBRICANTS", MA-13.

Checking Differential Gear Oil

Check for oil leakage and oil level. ^{NGMA0036}

Filler plug:

Front – R200A

⊗ : 59 - 98 N-m (6 - 10 kg-m, 43 - 72 ft-lb)

Rear – H233B

⊗ : 59 - 98 N-m (6 - 10 kg-m, 43 - 72 ft-lb)

Rear – C200

⊗ : 39 - 59 N-m (4 - 6 kg-m, 29 - 43 ft-lb)

GI

MA

EM

LC

EC

FE

CL

MT

AT

TF

PD

AX

SU

BR

ST

RS

BT

HA

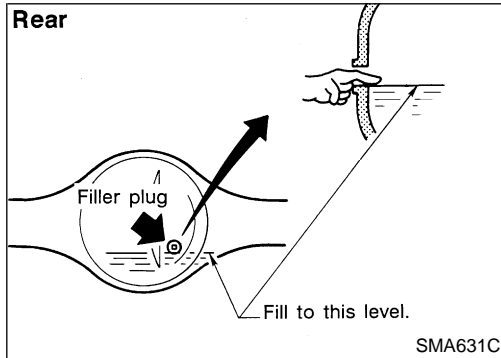
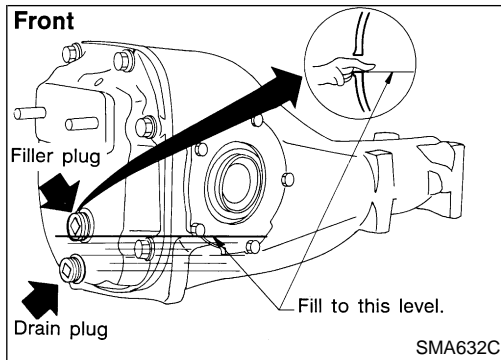
SC

EL

IDX

CHASSIS AND BODY MAINTENANCE

Changing Differential Gear Oil



Changing Differential Gear Oil

NGMA0037

1. Drain oil from drain plug and refill with new gear oil.
2. Check oil level.

Oil grade and viscosity:

See "RECOMMENDED FLUIDS AND LUBRICANTS", MA-13, 14.

Oil capacity:

Front — R200A

1.5ℓ (3-1/8 US pt, 2-5/8 Imp pt)

Rear — C200

1.3ℓ (2-3/4 US pt, 2-1/4 Imp pt)

Rear — H233B

2.8ℓ (5-7/8 US pt, 4-7/8 Imp pt)

Filler plug:


Front — R200A

 : 59 - 98 N-m (6 - 10 kg-m, 43 - 72 ft-lb)

Rear — H233B

 : 59 - 98 N-m (6 - 10 kg-m, 43 - 72 ft-lb)

Rear — C200

 : 39 - 59 N-m (4 - 6 kg-m, 29 - 43 ft-lb)

Drain plug:

Front — R200A

 : 59 - 98 N-m (6 - 10 kg-m, 43 - 72 ft-lb)

Rear — H233B

 : 59 - 98 N-m (6 - 10 kg-m, 43 - 72 ft-lb)

Rear — C200

 : 59 - 98 N-m (6 - 10 kg-m, 43 - 72 ft-lb)

LIMITED-SLIP DIFFERENTIAL GEAR

NGMA0037S01

- Use only approved limited-slip differential gear oil.
 - Limited-slip differential identification.
1. Lift both rear wheels off the ground.
 2. Turn one rear wheel by hand.
 3. If both rear wheels turn in the same direction simultaneously, vehicle is equipped with limited-slip differential.

Balancing Wheels

Adjust wheel balance using the road wheel center.

=NGMA0038

Wheel balance (Maximum allowable unbalance):
Refer to "WHEEL BALANCE", MA-44.

GI

MA

EM

LC

Tire Rotation

- After rotating the tires, adjust the tire pressure.
- Retighten the wheel nuts when the vehicle has been driven for 600 miles (1000 km) (also in cases of a flat tire, etc.)

NGMA0039

EC

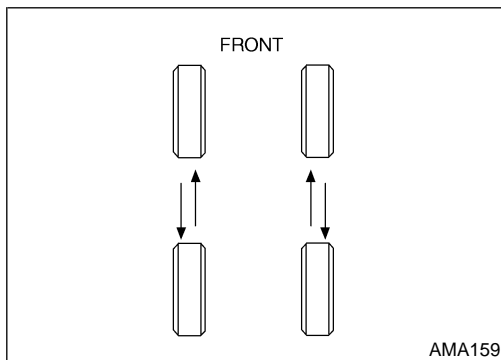
FE

Wheel nuts:

 : 118 - 147 N·m (12 - 15 kg·m, 87 - 108 ft·lb)

CL

MT



Checking Brake Fluid Level and Leaks

If fluid level is extremely low, check brake system for leaks.

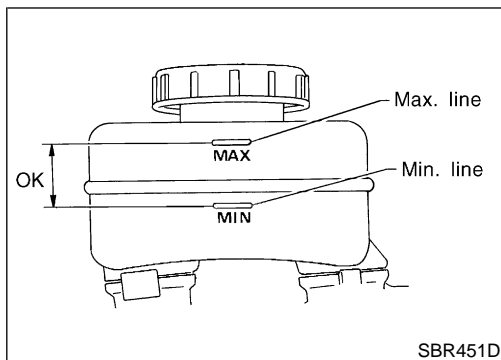
NGMA0040

AT

TF

PD

AX



Checking Brake Lines and Cables

Check brake fluid lines and parking brake cables for improper attachment, leaks, chafing, abrasions and deterioration.

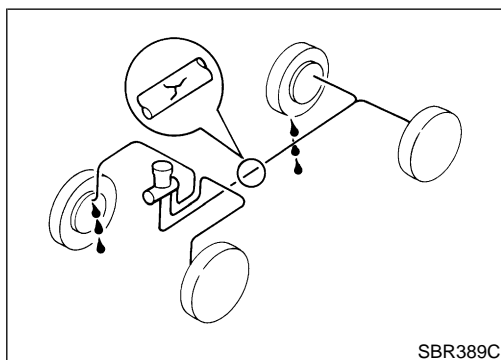
NGMA0041

SU

BR

ST

RS



Checking Disc Brake ROTOR

Check condition and thickness.

Standard thickness:

28 mm (1.10 in)

Minimum thickness:

26 mm (1.02 in)

NGMA0042

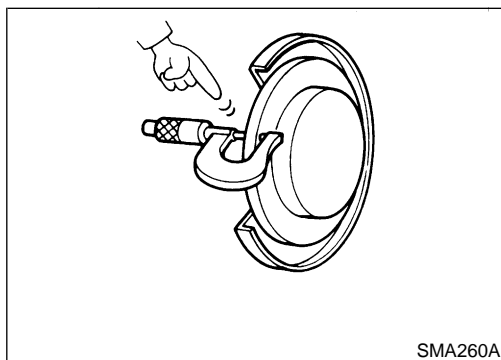
NGMA0042S01

BT

HA

SC

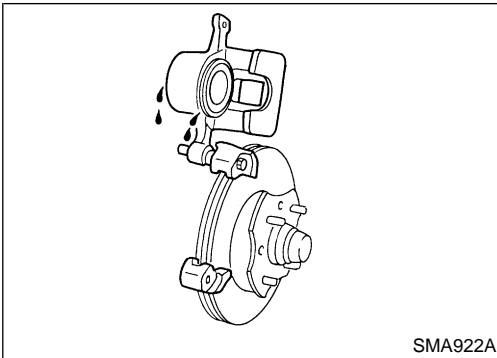
EL



IDX

CHASSIS AND BODY MAINTENANCE

Checking Disc Brake (Cont'd)

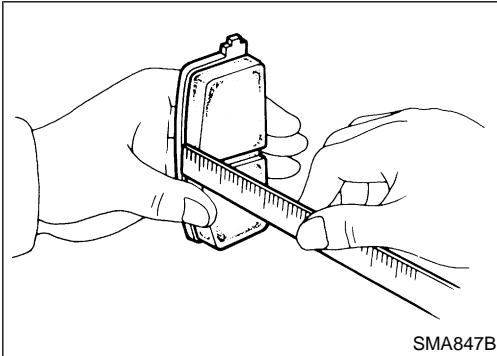


SMA922A

CALIPER

Check for leakage.

NGMA0042S02



SMA847B

PAD

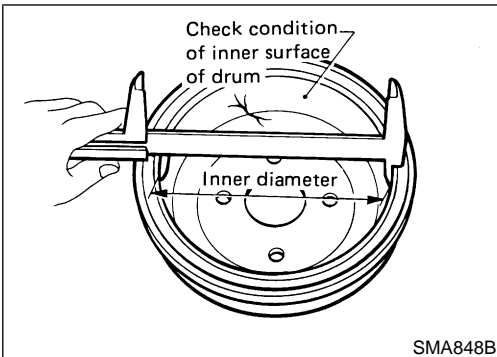
Check wear or damage.

Standard thickness:

11 mm (0.43 in)

Minimum thickness: 2 mm (0.08 in)

NGMA0042S03



SMA848B

Checking Drum Brake

WHEEL CYLINDER

Check for leakage.

NGMA0043

NGMA0043S01

DRUM

Check condition and inner surface.

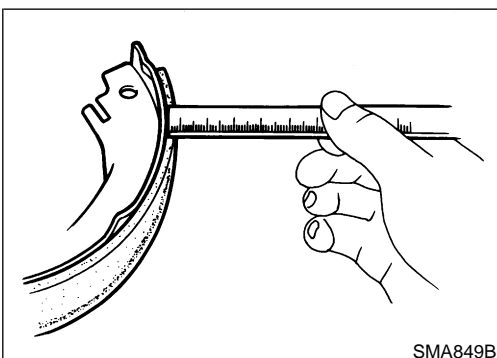
Standard inner diameter:

295 mm (11.61 in)

Drum repair limit (Inner diameter):

296.5 mm (11.67 in)

NGMA0043S02



SMA849B

LINING

Check wear or damage.

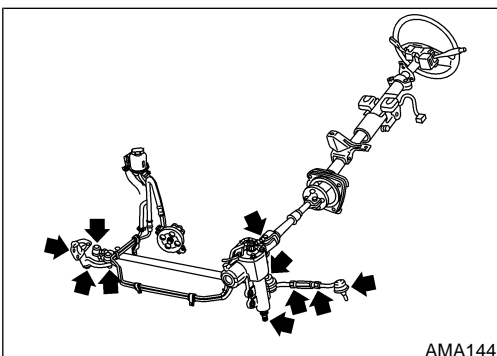
Standard thickness:

5.8 mm (0.23 in)

Lining wear limit (Minimum thickness):

1.5 mm (0.059 in)

NGMA0043S03



AMA144

Checking Steering Gear and Linkage

STEERING GEAR

- Check steering gear housing for looseness, damage and grease leakage.
- Check connection with steering column for looseness.

NGMA0044

NGMA0044S01

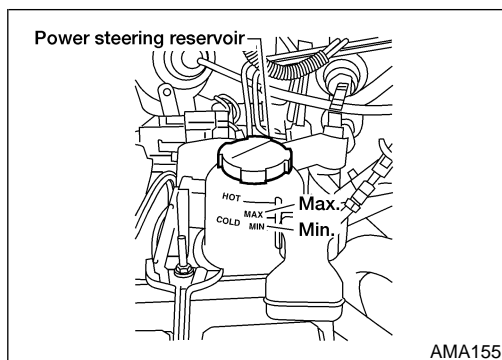
STEERING LINKAGE

- Check ball joint, dust cover and other component parts for looseness, wear, damage and grease leakage.

NGMA0044S02

CHASSIS AND BODY MAINTENANCE

Checking Power Steering Fluid and Lines



Checking Power Steering Fluid and Lines

NGMA0045

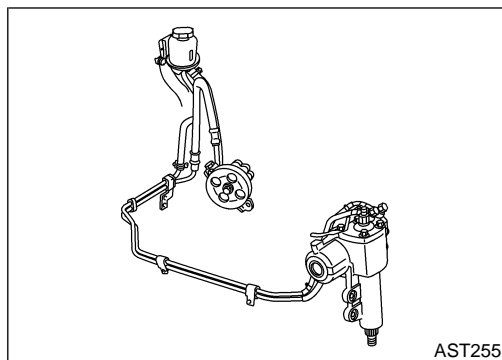
CHECKING FLUID LEVEL

NGMA0045S01

- Check fluid level with engine off.
- Check fluid level on reservoir. Use "HOT" range at fluid temperatures of 50 to 80°C (122 to 176°F). Use "COLD" range at fluid temperatures of 0 to 30°C (32 to 86°F).

CAUTION:

- Do not overfill.
- Recommended fluid is Genuine NISSAN PSF II, Canada NISSAN Automatic Transmission Fluid, DEXRON™III, MERCON™, or equivalent ATF may also be used. Refer to "RECOMMENDED FLUIDS AND LUBRICANTS", MA-13.



CHECKING LINES

NGMA0045S02

- Check lines for improper attachment, leaks, cracks, damage, loose connections, chafing and deterioration.

GI

MA

EM

LC

EC

FE

CL

MT

AT

TF

PD

AX

SU

BR

ST

RS

BT

HA

SC

EL

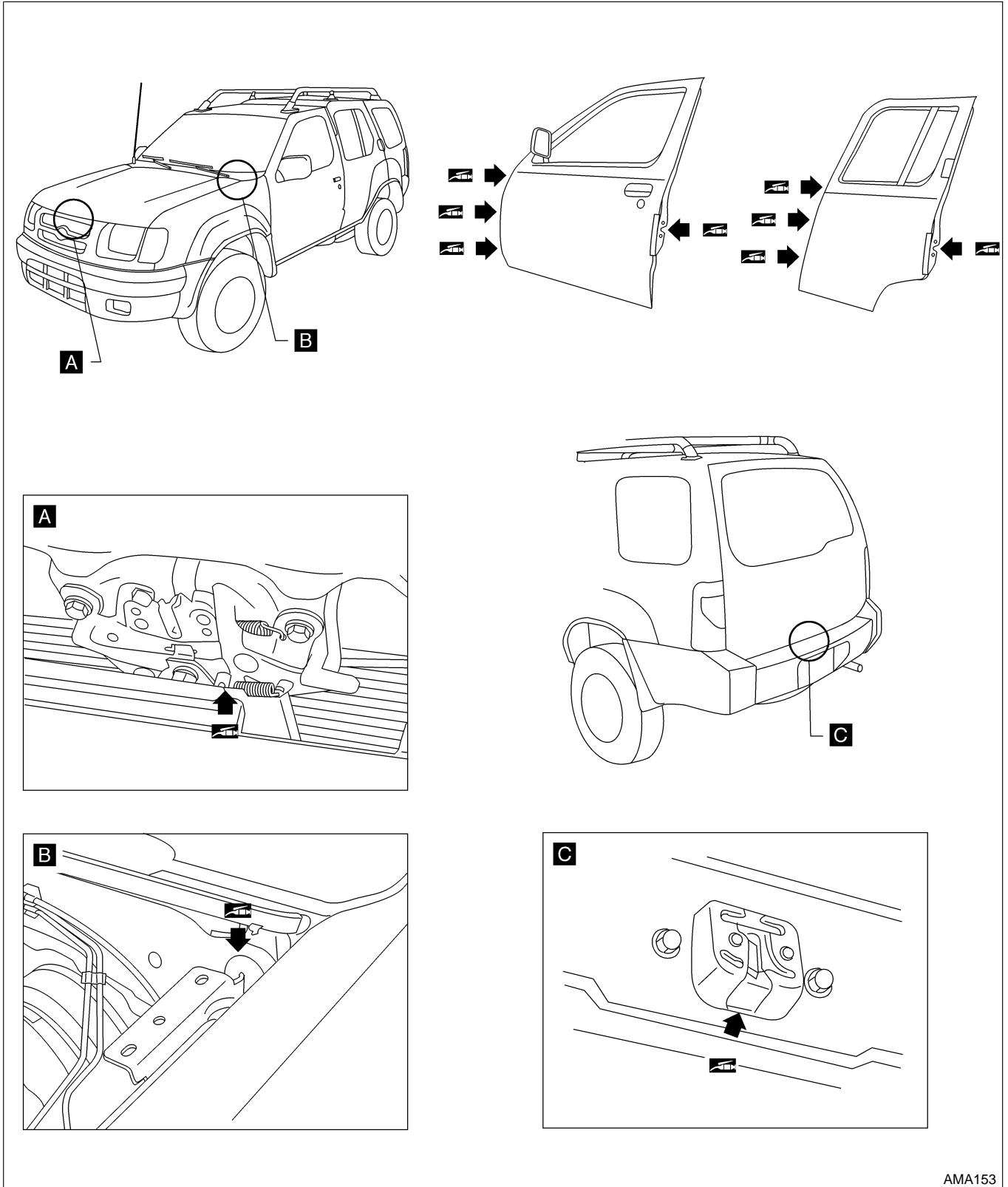
IDX

CHASSIS AND BODY MAINTENANCE

Lubricating Locks, Hinges and Hood Latches

Lubricating Locks, Hinges and Hood Latches

NGMA0046



AMA153

CHASSIS AND BODY MAINTENANCE

Checking Seat Belts, Buckles, Retractors, Anchors and Adjusters

Checking Seat Belts, Buckles, Retractors, Anchors and Adjusters

NGMA0047

GI

MA

EM

LC

EC

FE

CL

MT

AT

TF

PD

AX

SU

BR

ST

RS

BT

HA

SC

EL


IDX


CAUTION:

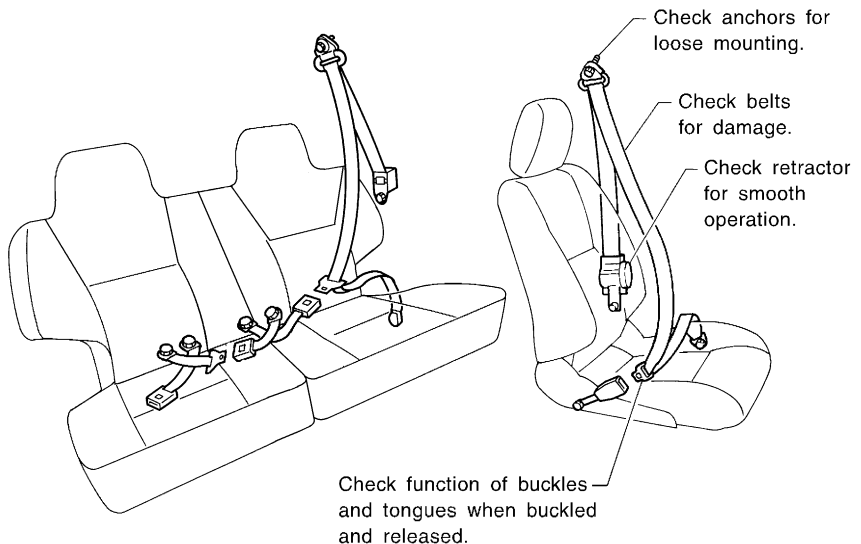
- After any collision, inspect all seat belt assemblies, including retractors and other attached hardware (i.e. guide rail set). Nissan recommends to replace all seat belt assemblies in use during a collision, unless not damaged and properly operating after minor collision. Also inspect seat belt assemblies not in use during a collision, and replace if damaged or improperly operating. Seat belt pre-tensioner should be replaced even if the seat belts are not in use during a frontal collision where the driver and passenger air bags are deployed.
- If any component of seat belt assembly is questionable, do not repair. Replace as seat belt assembly.
- If webbing is cut, frayed, or damaged, replace belt assembly.
- Never oil tongue and buckle.
- Use a genuine seat belt assembly.

For details, refer to "Seat Belt Inspection", "SEAT BELTS" in RS section.

Anchor bolt

 43 – 55
(4.4 – 5.6, 32 – 41)

 : N·m (kg·m, ft·lb)



WMA034

SERVICE DATA AND SPECIFICATIONS (SDS)

Chassis and Body Maintenance

Chassis and Body Maintenance

WHEEL BALANCE

NGMA0050

Maximum allowable unbalance	Dynamic (At rim flange) g (oz)	10 (0.35) (one side)
	Static g (oz)	20 (0.71)