

A  
B  
C

# SECTION PS

## POWER STEERING SYSTEM

### CONTENTS

<p><b>PRECAUTIONS</b> ..... 2</p> <p style="padding-left: 20px;">Precautions for Supplemental Restraint System (SRS) "AIR BAG" and "SEAT BELT PRE-TENSIONER" ..... 2</p> <p style="padding-left: 20px;">Precautions for Steering System ..... 2</p> <p><b>PREPARATION</b> ..... 3</p> <p style="padding-left: 20px;">Special Service Tools ..... 3</p> <p style="padding-left: 40px;">POWER STEERING ..... 3</p> <p><b>NOISE, VIBRATION, AND HARSHNESS (NVH)</b></p> <p><b>TROUBLESHOOTING</b> ..... 5</p> <p style="padding-left: 20px;">NVH Troubleshooting Chart ..... 5</p> <p><b>ON-VEHICLE SERVICE</b> ..... 6</p> <p style="padding-left: 20px;">Steering System ..... 6</p> <p style="padding-left: 20px;">Checking Steering Wheel Play ..... 6</p> <p style="padding-left: 20px;">Checking Neutral Position on Steering Wheel ..... 7</p> <p style="padding-left: 40px;">PRE-CHECKING ..... 7</p> <p style="padding-left: 40px;">CHECKING ..... 7</p> <p style="padding-left: 20px;">Checking Front Wheel Turning Angle ..... 7</p> <p style="padding-left: 20px;">Checking and Adjusting Drive Belts ..... 7</p> <p style="padding-left: 20px;">Checking Fluid Level ..... 7</p> <p style="padding-left: 20px;">Checking Fluid Leakage ..... 8</p> <p style="padding-left: 20px;">Bleeding Hydraulic System ..... 8</p> <p style="padding-left: 20px;">Checking Steering Wheel Turning Force ..... 8</p> <p style="padding-left: 20px;">Checking Hydraulic System ..... 9</p> <p><b>STEERING WHEEL AND STEERING COLUMN</b> .... 10</p> <p style="padding-left: 20px;">Components ..... 10</p> <p style="padding-left: 20px;">Removal and Installation ..... 10</p> <p style="padding-left: 40px;">STEERING WHEEL ..... 10</p> <p style="padding-left: 40px;">STEERING COLUMN ..... 11</p>	<p style="padding-left: 20px;">Disassembly and Assembly ..... 12</p> <p style="padding-left: 20px;">Inspection ..... 13</p> <p style="padding-left: 40px;">TILT MECHANISM ..... 13</p> <p><b>POWER STEERING GEAR (MODEL: D600)</b> ..... 14</p> <p style="padding-left: 20px;">Description ..... 14</p> <p style="padding-left: 20px;">Removal and Installation ..... 15</p> <p style="padding-left: 20px;">Inspection and Adjustment ..... 15</p> <p style="padding-left: 40px;">TURNING TORQUE MEASUREMENT ..... 15</p> <p><b>POWER STEERING OIL PUMP</b> ..... 17</p> <p style="padding-left: 20px;">Components ..... 17</p> <p style="padding-left: 20px;">Pre-disassembly Inspection ..... 17</p> <p style="padding-left: 20px;">Disassembly ..... 17</p> <p style="padding-left: 20px;">Inspection ..... 18</p> <p style="padding-left: 20px;">Assembly ..... 18</p> <p><b>STEERING LINKAGE</b> ..... 20</p> <p style="padding-left: 20px;">Components ..... 20</p> <p style="padding-left: 20px;">Removal and Installation ..... 20</p> <p style="padding-left: 20px;">Disassembly and Assembly ..... 21</p> <p style="padding-left: 40px;">IDLER ARM ASSEMBLY ..... 21</p> <p style="padding-left: 40px;">CROSS ROD AND TIE-ROD ..... 21</p> <p style="padding-left: 20px;">Inspection ..... 22</p> <p style="padding-left: 40px;">BALL JOINT AND SWIVEL JOINT ..... 22</p> <p style="padding-left: 40px;">IDLER ARM ASSEMBLY ..... 22</p> <p style="padding-left: 40px;">CROSS ROD AND TIE-ROD ..... 22</p> <p style="padding-left: 40px;">FIXING LOCATION ..... 22</p> <p><b>SERVICE DATA AND SPECIFICATIONS (SDS)</b> ..... 23</p> <p style="padding-left: 20px;">General Specifications ..... 23</p> <p style="padding-left: 20px;">Steering Wheel ..... 23</p> <p style="padding-left: 20px;">Steering Column ..... 23</p> <p style="padding-left: 20px;">Power Steering Gear ..... 23</p> <p style="padding-left: 20px;">Steering Linkage ..... 24</p>
---	--

A  
B  
C  
D  
E  
F  
PS  
H  
I  
J  
K  
L  
M

# PRECAUTIONS

## PRECAUTIONS

PF0:00001

### Precautions for Supplemental Restraint System (SRS) “AIR BAG” and “SEAT BELT PRE-TENSIONER”

EGS000HR

The Supplemental Restraint System such as “AIR BAG” and “SEAT BELT PRE-TENSIONER”, used along with a front seat belt, helps to reduce the risk or severity of injury to the driver and front passenger for certain types of collision. This system includes seat belt switch inputs and dual stage front air bag modules. The SRS system uses the seat belt switches to determine the front air bag deployment, and may only deploy one front air bag, depending on the severity of a collision and whether the front occupants are belted or unbelted. Information necessary to service the system safely is included in the SRS and SB section of this Service Manual.

#### **WARNING:**

- To avoid rendering the SRS inoperative, which could increase the risk of personal injury or death in the event of a collision which would result in air bag inflation, all maintenance must be performed by an authorized NISSAN/INFINITI dealer.
- Improper maintenance, including incorrect removal and installation of the SRS, can lead to personal injury caused by unintentional activation of the system. For removal of Spiral Cable and Air Bag Module, see the SRS section.
- Do not use electrical test equipment on any circuit related to the SRS unless instructed to in this Service Manual. SRS wiring harnesses can be identified by yellow and/or orange harnesses or harness connectors.

### Precautions for Steering System

EGS000EG

- Before disassembly, thoroughly clean the outside of the unit.
- Disassembly should be done in a clean work area. It is important to prevent the internal parts from becoming contaminated by dirt or other foreign matter.
- For easier and proper assembly, place disassembled parts in order on a parts rack.
- Use nylon cloths or paper towels to clean the parts; common shop rags can leave lint that might interfere with their operation.
- Before inspection or reassembly, carefully clean all parts with a general purpose, non-flammable solvent.
- Before assembly, apply a coat of recommended power steering fluid\* to hydraulic parts. Petroleum jelly may be applied to O-rings and seals. Do not use any grease.
- Replace all gaskets, seals and O-rings. Avoid damaging O-rings, seals and gaskets during installation. Perform functional tests whenever designated.

\*: Genuine NISSAN PSF II or equivalent. Refer to [MA-12. "Recommended Fluids and Lubricants"](#) .

# PREPARATION

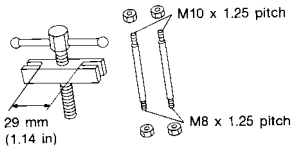
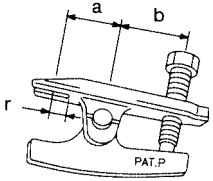
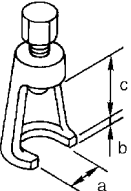
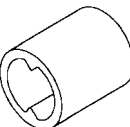
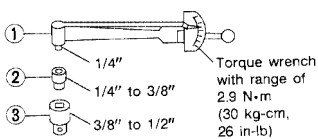
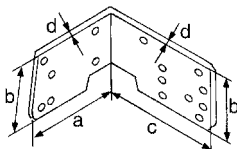
## PREPARATION

PF0:00002

### Special Service Tools POWER STEERING

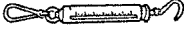
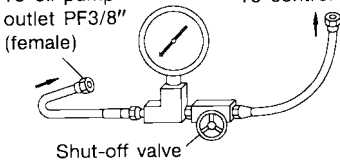
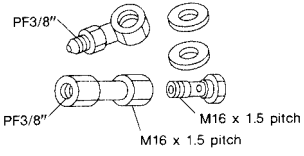
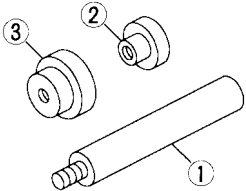
EGS000EH

The actual shape of Kent-Moore tools may differ from those of special service tools illustrated here.

Tool number (Kent-Moore No.) Tool name	Description
ST27180001 (J25726-A) Steering wheel puller   S-NT544	Removing steering wheel
HT72520000 (J25730-B) Ball joint remover   NT546	Removing ball joint and swivel joint <b>a: 33 mm (1.30 in)</b> <b>b: 50 mm (1.97 in)</b> <b>r: 11.5 mm (0.453 in)</b>
ST29020001 (J24319-01) Steering gear arm puller   NT694	Removing pitman arm <b>a: 34 mm (1.34 in)</b> <b>b: 6.5 mm (0.256 in)</b> <b>c: 61.5 mm (2.421 in)</b>
KV48100700 (J26364) Torque adapter   NT169	Adjusting worm bearing preload
ST3127S000 (see J25765-A) 1: GG91030000 (J25765-A) Torque wrench 2: HT62940000 ( — ) Socket adapter 3: HT62900000 ( — ) Socket adapter   S-NT541	Measuring turning torque
KV48100301 ( — ) Strut & steering gearbox attachment   NT688	Steering gear installation. <b>a: 162 mm (6.38 in)</b> <b>b: 110 mm (4.33 in)</b> <b>c: 190 mm (7.48 in)</b> <b>d: 9 mm (0.35 in)</b>

A  
B  
C  
D  
E  
F  
PS  
H  
I  
J  
K  
L  
M

# PREPARATION

<p>(J44372) 5 - 60 Pound pull gauge</p> <div style="text-align: center; margin: 10px 0;">  </div> <p style="text-align: center; font-size: small;">LST024</p>	<p>Measuring steering wheel turning force</p>
<p>KV48103500 (J26357 or J26357-10) Pressure gauge</p> <div style="text-align: center; margin: 10px 0;">  </div> <p style="text-align: center; font-size: small;">NT547</p>	<p>Measuring oil pressure</p>
<p>KV48102500 (J33914) Pressure gauge adapter</p> <div style="text-align: center; margin: 10px 0;">  </div> <p style="text-align: center; font-size: small;">S-NT542</p>	<p>Measuring oil pressure (Use with KV48103500)</p>
<p>KV481009S0 ( — ) Oil seal drift set 1: KV48100910 ( — ) Drift 2: KV48100920 (J26367) Adapter 3: KV48100930 (J26367) Adapter</p> <div style="text-align: center; margin: 10px 0;">  </div> <p style="text-align: center; font-size: small;">NT174</p>	<p>Installing oil seal</p>

# NOISE, VIBRATION, AND HARSHNESS (NVH) TROUBLESHOOTING

## NOISE, VIBRATION, AND HARSHNESS (NVH) TROUBLESHOOTING

PFP:00003

### NVH Troubleshooting Chart

EGS000E1

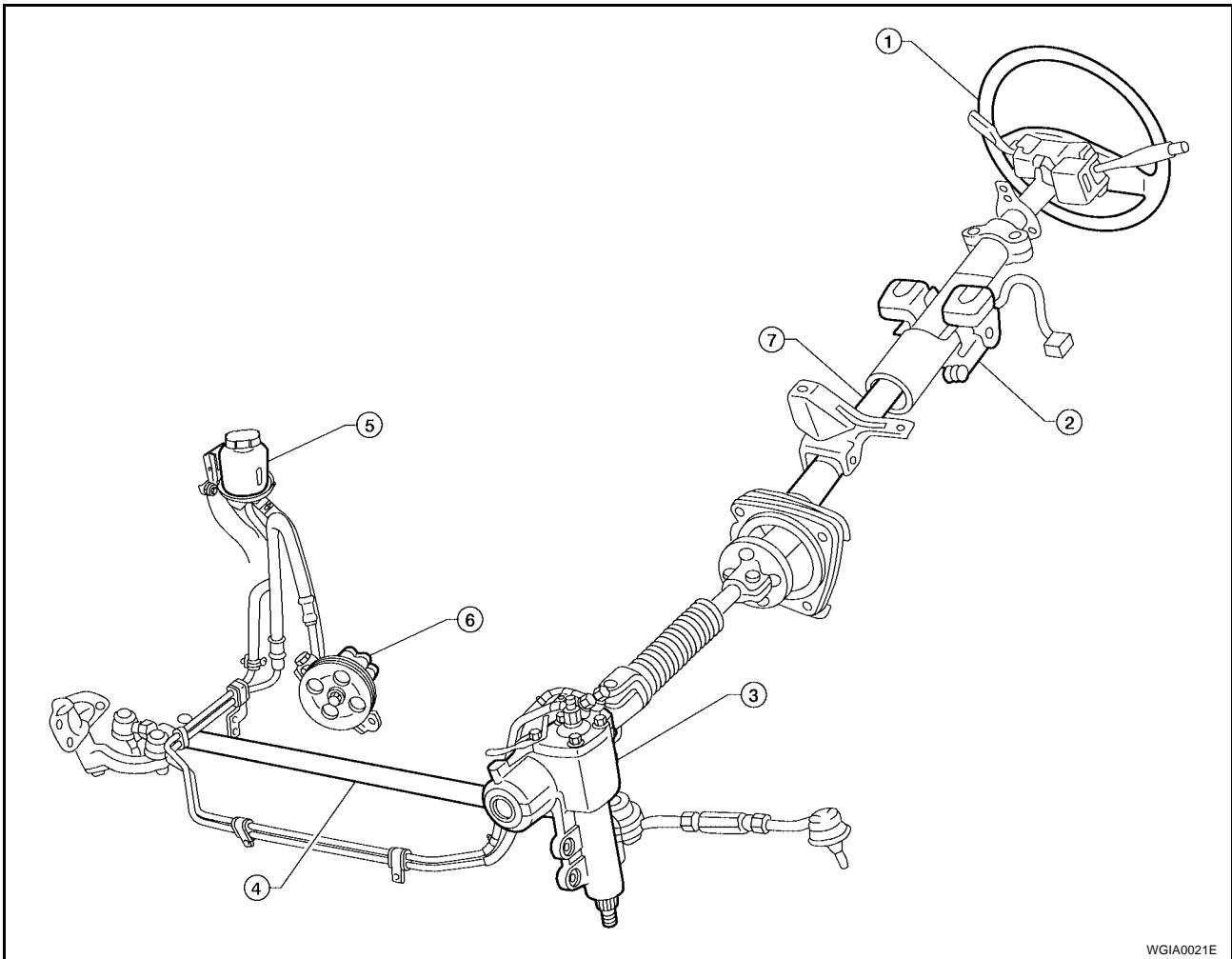
Symptom	STEERING	SUSPECTED PARTS (Possible cause)																	Reference page						
		Fluid level	Air in hydraulic system	Tie-rod ball joint swinging force	Tie-rod ball joint rotating torque	Tie-rod ball joint end play	Steering gear fluid leakage	Steering wheel play	Steering gear turning force	Drive belt looseness	Improper steering wheel	Improper installation or looseness of tilt lock lever	Steering column deformation or damage	Improper installation or looseness of steering column	Steering linkage looseness	PROPELLER SHAFT	DIFFERENTIAL	DRIVE SHAFT		AXLE	SUSPENSION	TIRES	ROAD WHEEL	BRAKES	
	Noise	X	X	X	X	X	X	X	X	X					X	X	X	X	X	X	X	X	X	X	PS-7
	Shake										X	X			X			X	X	X	X	X	X	X	PS-9
	Vibration										X	X	X	X	X		X	X	X	X	X				PS-22
	Shimmy										X	X			X			X	X	X	X	X	X	X	PS-22
	Judder													X				X	X	X	X	X	X	X	PS-8
																									PS-6
																									PS-15
																									MA-15, "Checking Drive Belts", MA-24, "Checking Drive Belts"
																									—
																									PS-13
																									PS-13
																									PS-11
																									PS-22
																									PR-3, "NVH Troubleshooting Chart"
																									FFD-5, "NVH Troubleshooting Chart"
																									PR-3, "NVH Troubleshooting Chart"
																									FAX-4, "NVH Troubleshooting Chart"
																									FSU-4, "NVH Troubleshooting Chart"
																									WT-3, "NVH Troubleshooting Chart"
																									WT-3, "NVH Troubleshooting Chart"
																									BR-5, "NVH Troubleshooting Chart"

X: Applicable

A  
B  
C  
D  
E  
F  
**PS**  
H  
I  
J  
K  
L  
M

### Steering System

EGS000EJ



WGIA0021E

- |                     |                                 |                            |
|---------------------|---------------------------------|----------------------------|
| 1. Steering wheel   | 2. Tilt mechanism (if equipped) | 3. Steering gear assembly  |
| 4. Steering linkage | 5. Power steering oil tank      | 6. Power steering oil pump |
| 7. Steering column  |                                 |                            |

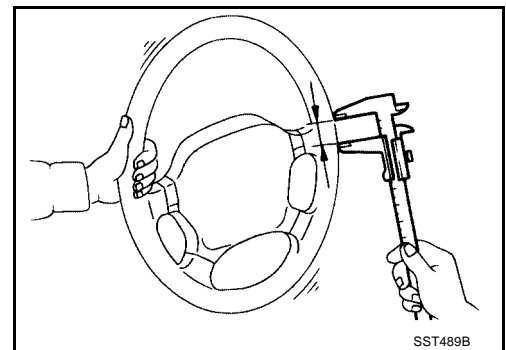
### Checking Steering Wheel Play

EGS000EK

- Place wheels in straight ahead position and check steering wheel play.

**Steering wheel play : 35 mm (1.38 in) or less**

- If steering wheel play is not within specification, check the following for loose or worn components.
  - Steering column. Refer to [PS-13, "Inspection"](#) .
  - Front suspension and axle. Refer to [FSU-5, "Components"](#) and [FAX-5, "Front Axle Parts"](#) .
  - Steering gear. Refer to [PS-15, "Inspection and Adjustment"](#) .



SST489B

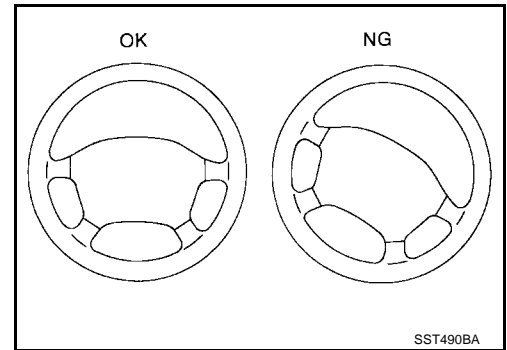
# ON-VEHICLE SERVICE

## Checking Neutral Position on Steering Wheel

EGS000EL

### PRE-CHECKING

- Make sure that wheel alignment is correct. Refer to [FSU-8, "Front Wheel Alignment"](#)
- Verify that the steering gear is centered before removing the steering wheel.



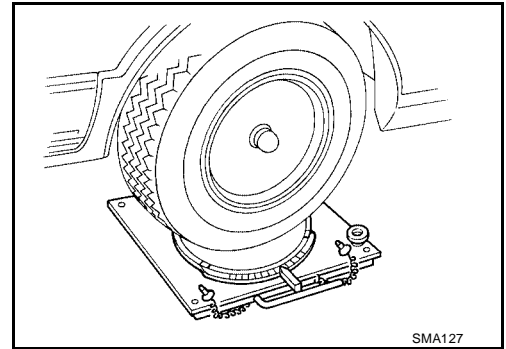
### CHECKING

1. Check that the steering wheel is in the neutral position when driving straight ahead.
2. If it is not in the neutral position, remove the steering wheel and reinstall it correctly.
3. If the neutral position is still not correct:
  - a. Loosen tie-rod lock nuts.
  - b. Move tie-rods, in opposite direction, the same amount on both left and right sides. This will compensate for error in the neutral position.

## Checking Front Wheel Turning Angle

1. Rotate steering wheel fully right, then left; measure turning angle. Refer to [FSU-12, "FRONT WHEEL TURNING ANGLE"](#).
2. If it is not within specification, check stopper bolt adjustment. Refer to [FSU-12, "FRONT WHEEL TURNING ANGLE"](#).

EGS000EM



## Checking and Adjusting Drive Belts

Refer to [MA-15, "Checking Drive Belts"](#) (KA24DE) or [MA-24, "Checking Drive Belts"](#) (VG33E and VG33ER).

## Checking Fluid Level

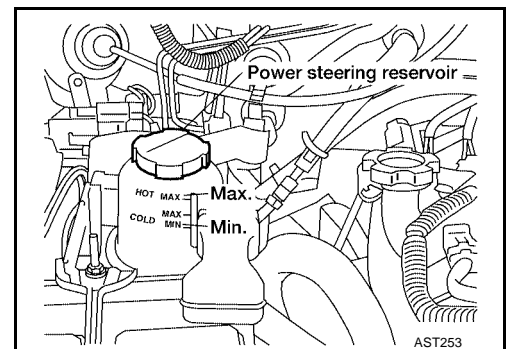
- Check fluid level with engine off.
- Check fluid level referring to the scale on the reservoir tank.
- Use "HOT" range for fluid temperatures of 50 to 80°C (122 to 176°F).
- Use "COLD" range for fluid temperatures of 0 to 30°C (32 to 86°F).

### CAUTION:

- Do not overfill.
- Recommended fluid is Genuine NISSAN PSF II or equivalent. Refer to [MA-12, "Recommended Fluids and Lubricants"](#).

EGS000EN

EGS000EO



# ON-VEHICLE SERVICE

## Checking Fluid Leakage

EGS000EP

Check lines for improper attachment, leaks, cracks, damage, chafing and deterioration.

1. Run engine between idle speed and 1,000 rpm.
2. Bring power steering fluid up to adequate operating temperature. [Make sure temperature of fluid is approximately 60 to 80°C (140 to 176°F).]
3. Turn steering wheel right-to-left several times.
4. Hold steering wheel at each "lock" position for 5 seconds and carefully check for fluid leakage.

**CAUTION:**

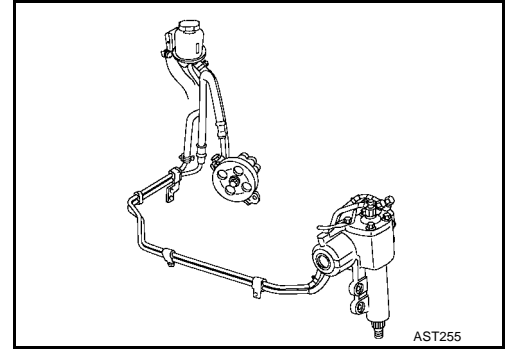
**Do not hold steering wheel at lock position for more than 15 seconds.**

5. If fluid leakage from any line is noticed, loosen flare nut and then retighten.

**CAUTION:**

**Do not overtighten connector as this can damage O-ring, washer and connector.**

6. If fluid leakage from power steering pump is noticed, check power steering pump. Refer to [PS-17, "Pre-disassembly Inspection"](#).
7. If fluid leakage from power steering gear is noticed, check power steering gear. Refer to [PS-15, "Inspection and Adjustment"](#).



## Bleeding Hydraulic System

EGS000EO

1. Raise front end of vehicle until wheels are clear of the ground.
2. Add fluid to reservoir tank to specified level. Quickly turn steering wheel fully to right and left and lightly touch steering stoppers. Repeat steering wheel operation until fluid level no longer decreases.

3. Start engine.

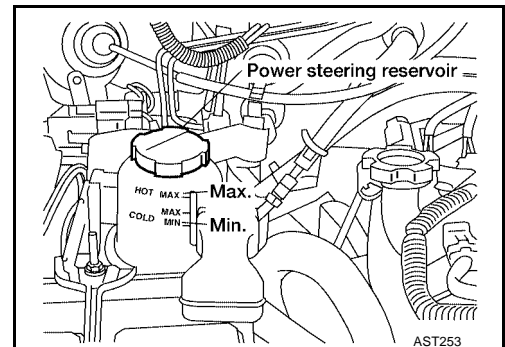
Repeat step 2 above.

- Incomplete air bleeding will cause the following to occur:

- Air bubbles in reservoir tank
- Clicking noise in power steering pump
- Excessive buzzing in power steering pump

When this happens, bleed air again.

Fluid noise may occur in the valve or power steering pump. This is common when the vehicle is stationary or while turning the steering wheel slowly. This does not affect the performance or durability of the system.



## Checking Steering Wheel Turning Force

EGS000ER

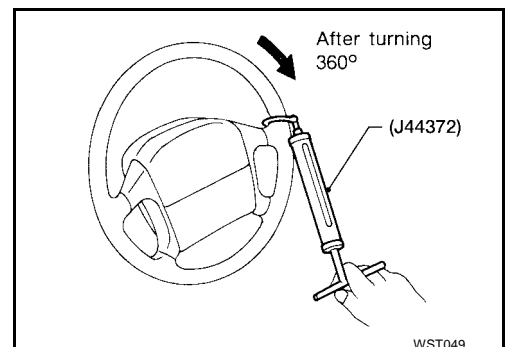
1. Park vehicle on a level, dry surface and set parking brake.
2. Start engine and run at idle speed or 1,000 rpm.
3. Bring power steering fluid up to adequate operating temperature. [Make sure temperature of fluid is approximately 60 to 80°C (140 to 176°F).]
4. Check steering wheel turning force when steering wheel has been turned 360° from neutral position.

**NOTE:**

Tires need to be inflated to normal pressure.

**Steering wheel turning force : 39 N (4 kg, 9 lb) or less**

5. If steering wheel turning force is out of specification, check the following:
  - a. Hydraulic system. Refer to [PS-9, "Checking Hydraulic System"](#).
  - b. Steering column. Refer to [PS-13, "Inspection"](#).





# ON-VEHICLE SERVICE

- c. Front suspension and axle. Refer to [FSU-5, "Components"](#) and [FAX-5, "Front Axle Parts"](#).
- d. Steering gear turning torque. Refer to [PS-15, "TURNING TORQUE MEASUREMENT"](#).

## Checking Hydraulic System

EGS000ES

Before starting, check belt tension, driving pulley and tire pressure.

1. Set Tool. Open shut-off valve, then bleed air. Refer to [PS-8, "Bleeding Hydraulic System"](#).
2. Run engine at idle speed or 1,000 rpm.
3. Bring power steering fluid up to adequate operating temperature. [Make sure temperature of fluid is approximately 60 to 80°C (140 to 176°F).]

### WARNING:

Warm up engine with shut-off valve fully opened. If engine is started with shut-off valve closed, fluid pressure in the power steering pump increases to maximum. This will raise fluid temperature abnormally.

4. Check pressure with steering wheel fully turned to left and right positions while idling at 1,000 rpm.

### CAUTION:

Do not hold the steering wheel at full lock position for more than 15 seconds.

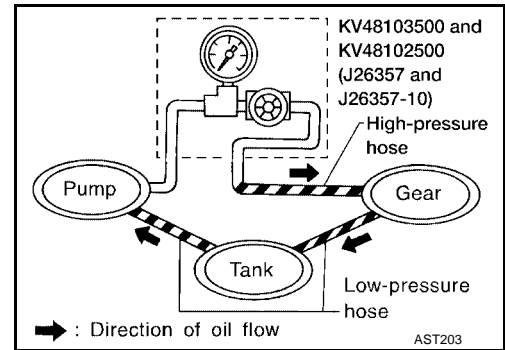
Power steering pump maximum operating pressure	: 7,551 - 8,336 kPa (77 - 85 kg/cm <sup>2</sup> , 1,095 - 1,209 psi) at idle
--	--

- If pressure reaches maximum operating pressure, system is OK.
  - If pressure increases above maximum operating pressure, check power steering pump flow control valve. Refer to [PS-17, "Components"](#).
5. If power steering pressure is below the maximum operating pressure, slowly close shut-off valve and check pressure again.

### CAUTION:

Do not close shut-off valve for more than 15 seconds.

- If pressure increases to maximum operating pressure, gear is damaged. Refer to [PS-15, "Removal and Installation"](#).
  - If pressure remains below maximum operating pressure, pump is damaged. Refer to [PS-17, "Components"](#).
6. After checking hydraulic system, remove Tool and add fluid as necessary. Completely bleed air out of system. Refer to [PS-8, "Bleeding Hydraulic System"](#).



A  
B  
C  
D  
E  
F  
PS  
H  
I  
J  
K  
L  
M

# STEERING WHEEL AND STEERING COLUMN

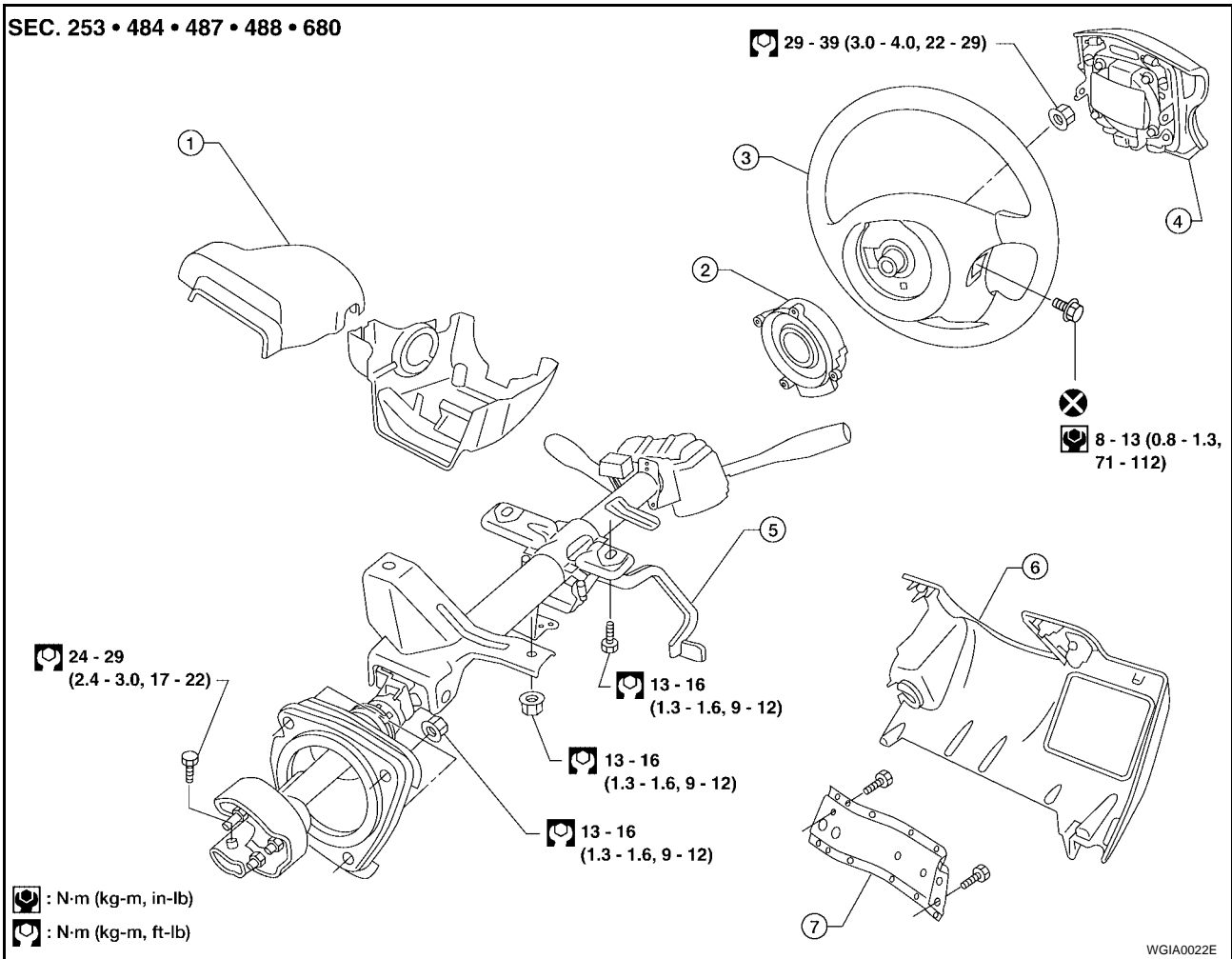
## STEERING WHEEL AND STEERING COLUMN

PF0:48430

### Components

EGS000ET

SEC. 253 • 484 • 487 • 488 • 680



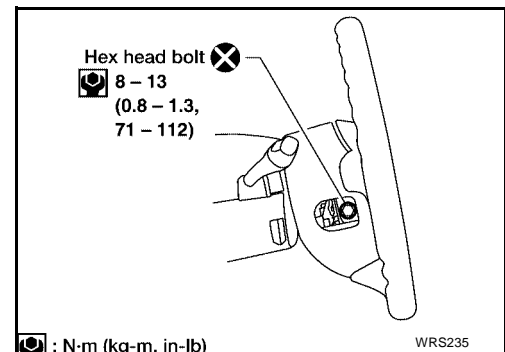
WGIA0022E

- |   |  |  |
|---|--|--|
| 1. Steering column cover  | 2. Spiral cable. Refer to <a href="#">SRS-44, "Removal and Installation"</a> | 3. Steering Wheel                      |
| 4. Driver air bag module. Refer to <a href="#">SRS-44, "Removal and Installation"</a> | 5. Tilt mechanism  | 6. Instrument lower panel drivers side |
| 7. Knee protector   |  |  |

### Removal and Installation STEERING WHEEL

EGS000EU

- Remove air bag module and spiral cable. Refer to [SRS-44, "Removal and Installation"](#).
- Disconnect horn connector and remove steering wheel nut.

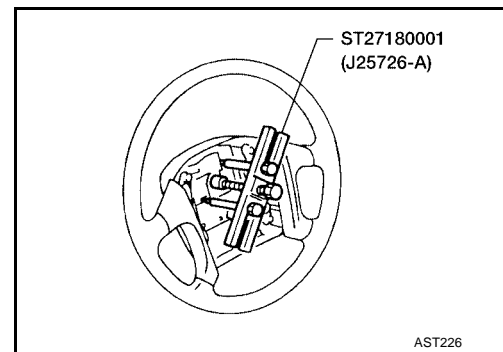


Hex head bolt  
8 - 13  
(0.8 - 1.3,  
71 - 112)

WRS235

# STEERING WHEEL AND STEERING COLUMN

3. Remove steering wheel using Tool.
  - For installation, refer to [SRS-44, "Removal and Installation"](#) .



## STEERING COLUMN

### Removal

#### CAUTION:

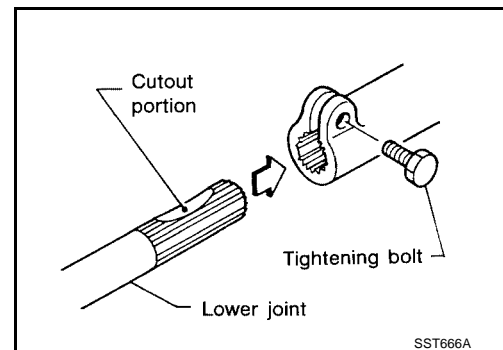
- The rotation of the spiral cable (SRS "AIR BAG" component part) is limited. If the steering gear must be removed, set the front wheels in the straight-ahead direction. Do not rotate the steering column while the steering gear is removed.
  - Remove the steering wheel before removing the steering lower joint to avoid damaging the SRS spiral cable. Refer to [PS-10, "STEERING WHEEL"](#) .
1. Remove steering wheel. Refer to [PS-10, "STEERING WHEEL"](#) .
  2. Remove steering column covers.
  3. Remove instrument lower panel. Disconnect security lamp indicator.
  4. Disconnect combination switch electrical connectors and air bag harness connector.
  5. Remove knee protector.
  6. Disconnect ignition switch and shift lock solenoid connectors.
  7. Disconnect shift cable.
  8. Remove bolt from lower joint.
  9. Remove two steering column bolts and remove steering column.

### Installation

- When installing steering column, finger-tighten all lower bracket and clamp retaining bolts; then tighten them securely. Make sure that undue stress is not applied to steering column.
- When fitting steering lower joint, be sure tightening bolt faces cutout portion.
- Align spiral cable correctly when installing steering wheel. Refer to [SRS-44, "Removal and Installation"](#) .

#### CAUTION:

After installation, turn steering wheel to make sure it moves smoothly. Ensure the number of turns from the straight forward position to left and right locks are the same. Be sure that the steering wheel is in a neutral position when driving straight ahead.



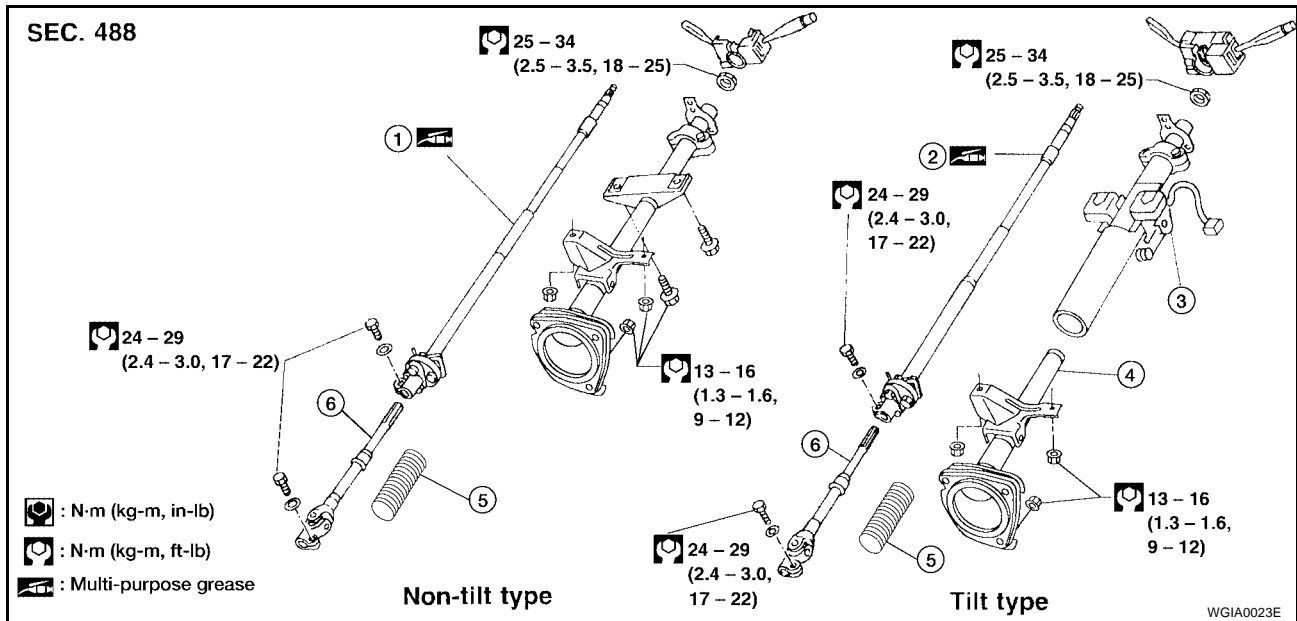
# STEERING WHEEL AND STEERING COLUMN

EGS000EV

## Disassembly and Assembly

### NOTE:

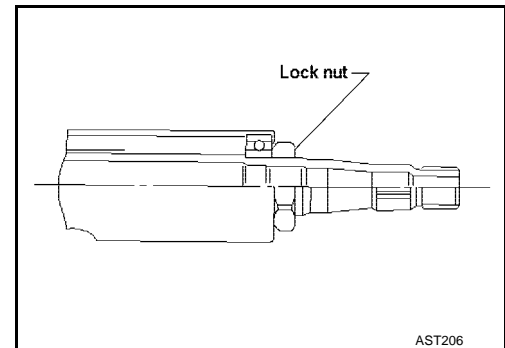
- Do not disassemble the tilt mechanism.
- After installing steering column, check tilt mechanism operation.



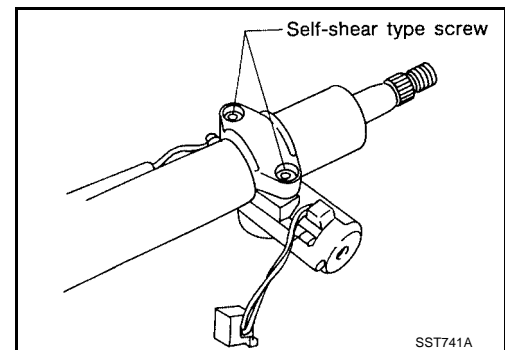
- |                          |                                |                                |
|--------------------------|--------------------------------|--------------------------------|
| 1. Steering column shaft | 2. Steering column upper shaft | 3. Tilt mechanism              |
| 4. Lower tube assembly   | 5. Bellows                     | 6. Steering column lower shaft |

- When disassembling and assembling, unlock steering lock with key.
- Install lock nut on steering column shaft and tighten the nut to specification.

**Steering column lock nut : 25 - 34 N·m (2.5 - 3.5 kg·m, 18 - 25 ft. lb)**

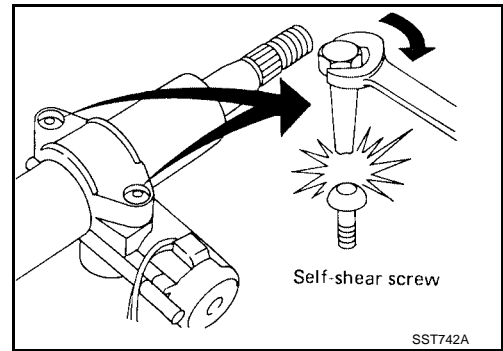


- Steering lock
  - Break self-shear type screws using a drill or other appropriate tool.



# STEERING WHEEL AND STEERING COLUMN

- Install self-shear type screws, then tighten until heads break off.

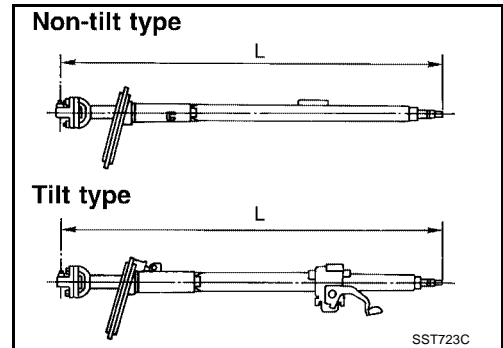


EGS000EW

## Inspection

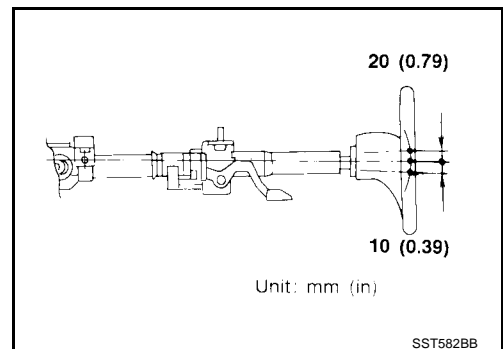
- If steering wheel does not turn smoothly, check the steering column as follows and replace damaged parts.
- Check column bearings for damage and unevenness. Lubricate with recommended multi-purpose grease or replace steering column as an assembly, if necessary.
- Check jacket tube for deformation and breakage. Replace if necessary.
- If the vehicle is involved in a light collision, check dimension "L". If it is not within specification, replace steering column as an assembly.

**Column length "L" : 863.1 - 864.7 mm (33.980 - 34.043 in)**



## TILT MECHANISM

After installing steering column, check tilt mechanism operation.



A  
B  
C  
D  
E  
F  
PS  
H  
I  
J  
K  
L  
M

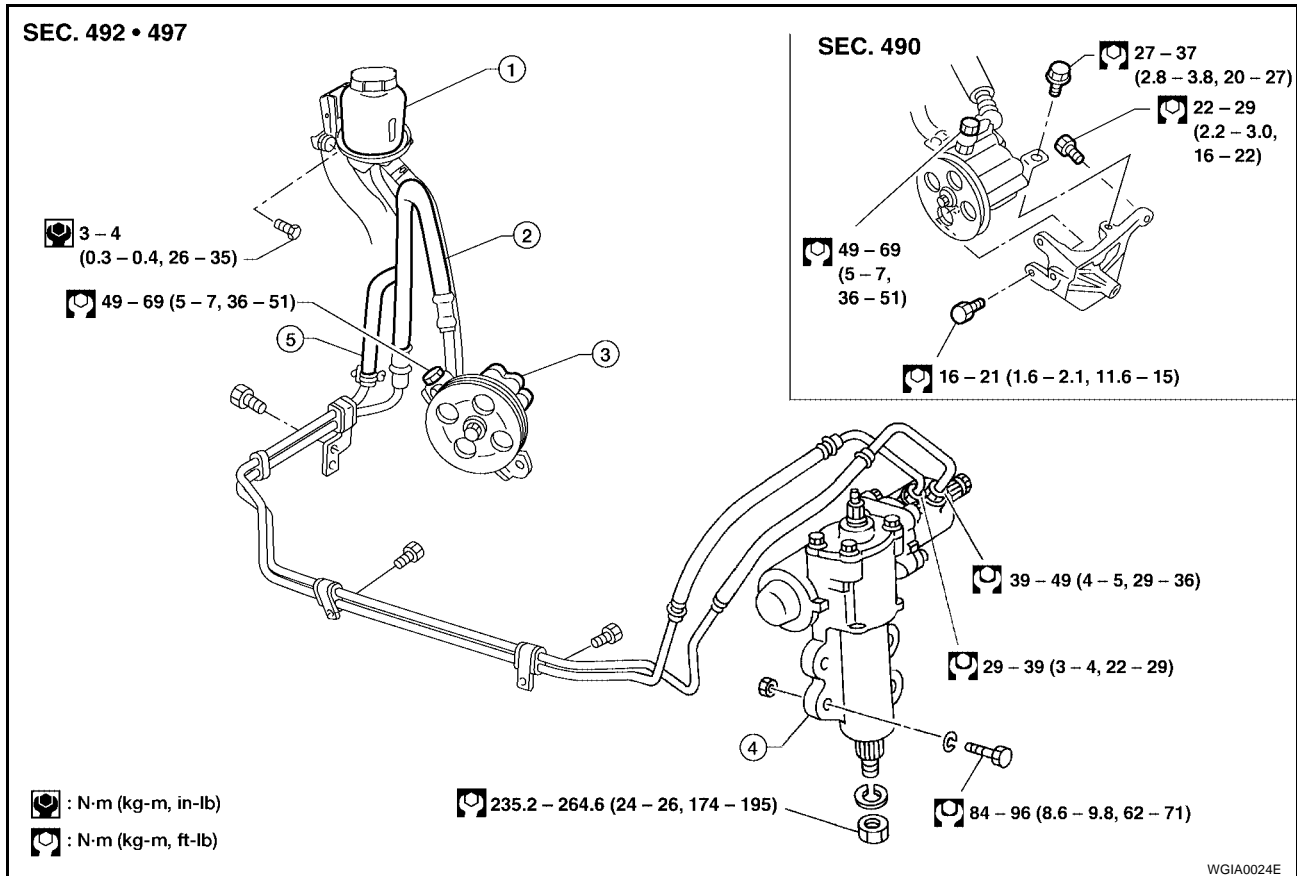
# POWER STEERING GEAR (MODEL: D600)

PF:49001

## POWER STEERING GEAR (MODEL: D600)

### Description

EGS000EX



- |                            |                       |                            |
|----------------------------|-----------------------|----------------------------|
| 1. Power steering oil tank | 2. High pressure hose | 3. Power steering oil pump |
| 4. Steering gear           | 5. Low pressure hose  |                            |

### CAUTION:

- Parts which can be disassembled are strictly limited. Never disassemble parts other than those specified.
- Disassemble in as clean a place as possible.
- Clean your hands before disassembly.
- Do not use rags; use nylon cloths or paper towels.
- Follow the procedures and cautions indicated in the Service Manual.

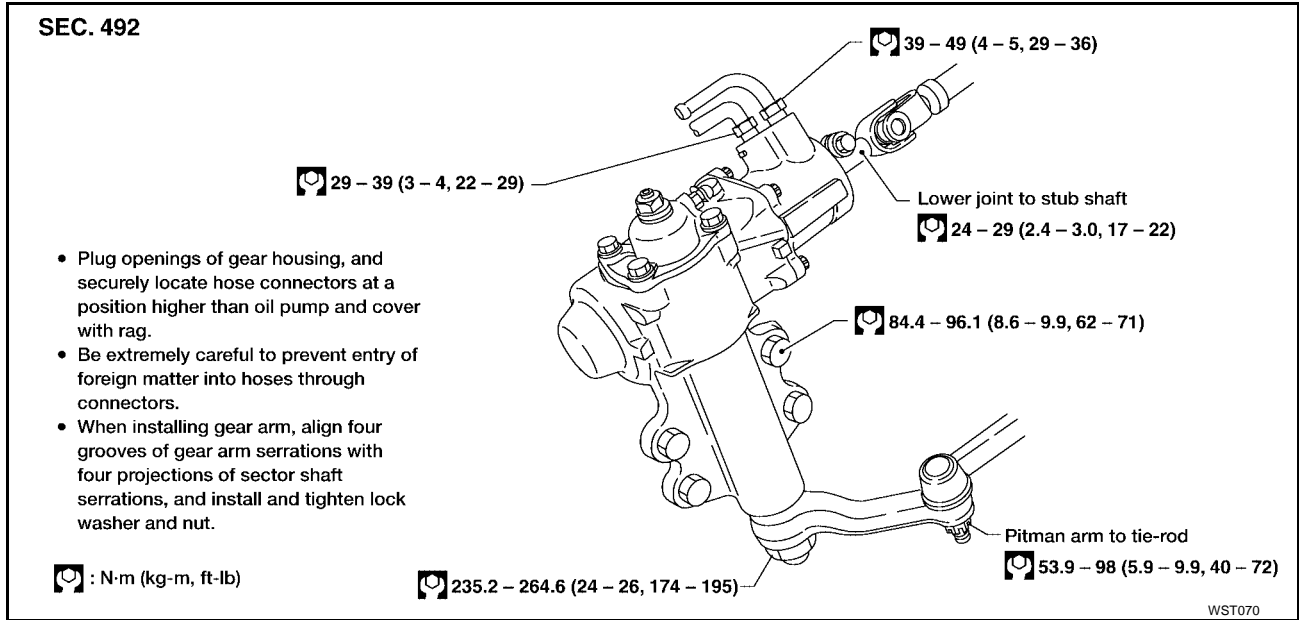
# POWER STEERING GEAR (MODEL: D600)

EGS000EY

## Removal and Installation

### NOTE:

Before removal, clean gear housing and oil pump exteriors using a steam cleaner, then dry with compressed air.



## Inspection and Adjustment

EGS000EZ

### NOTE:

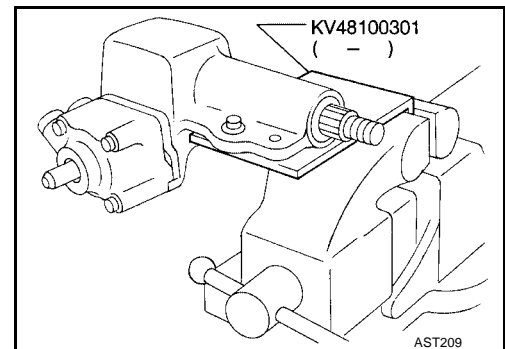
Before replacing power steering, make sure there is no oil leakage around sealing portion and check steering turning torque as follows:

Check sealing portion.

- Sector shaft cover O-ring
- Sector shaft U-packing
- Sector shaft oil seal
- Rear housing O-ring
- Gear housing O-ring

### TURNING TORQUE MEASUREMENT

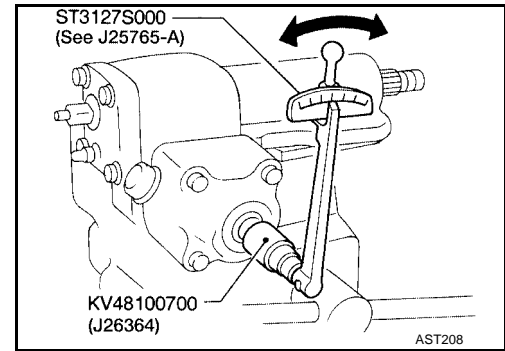
1. Measure turning torque at 360° position.
  - a. Install steering gear on Tool.



## POWER STEERING GEAR (MODEL: D600)

- b. Turn stub shaft all the way to right and left several times.
- c. Measure turning torque at 360° position from straight-ahead position with Tools.

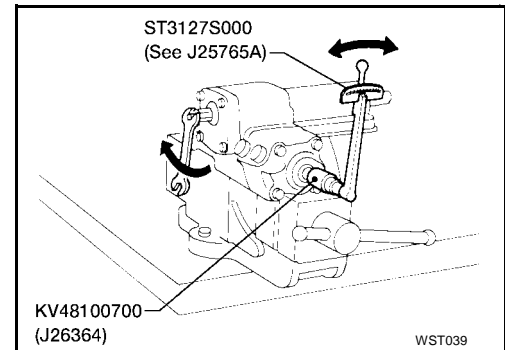
**Turning torque at 360° : 0.20 - 0.90 N·m (2.0 - 9.2 kg-cm, 1.8 - 8.0 in-lb)**



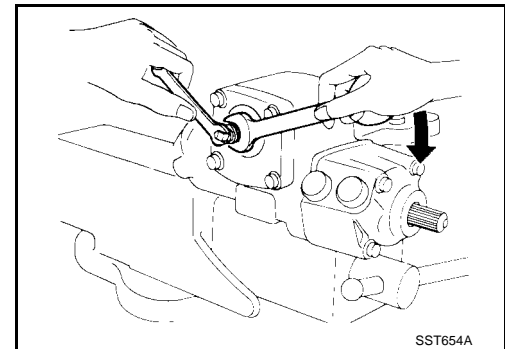
- d. Measure turning torque at straight-ahead position.
  - Straight-ahead position is a position where stub shaft is turned 1.93 turns (two full turns and 50°) from lock position.
  - If turning torque is not within specifications, adjust by turning sector shaft adjusting screw.

**Turning torque at straight-ahead position : 0.70 - 1.05 N·m (0.08 - 0.10 kg-m, 7.0 - 9.0 in-lb)**  
**(higher than turning torque at 360°)**

**Maximum turning torque : 1.7 N·m (17.3 kg-cm, 15.0 in-lb)**



2. Tighten adjusting screw lock nut with tools.





# POWER STEERING OIL PUMP

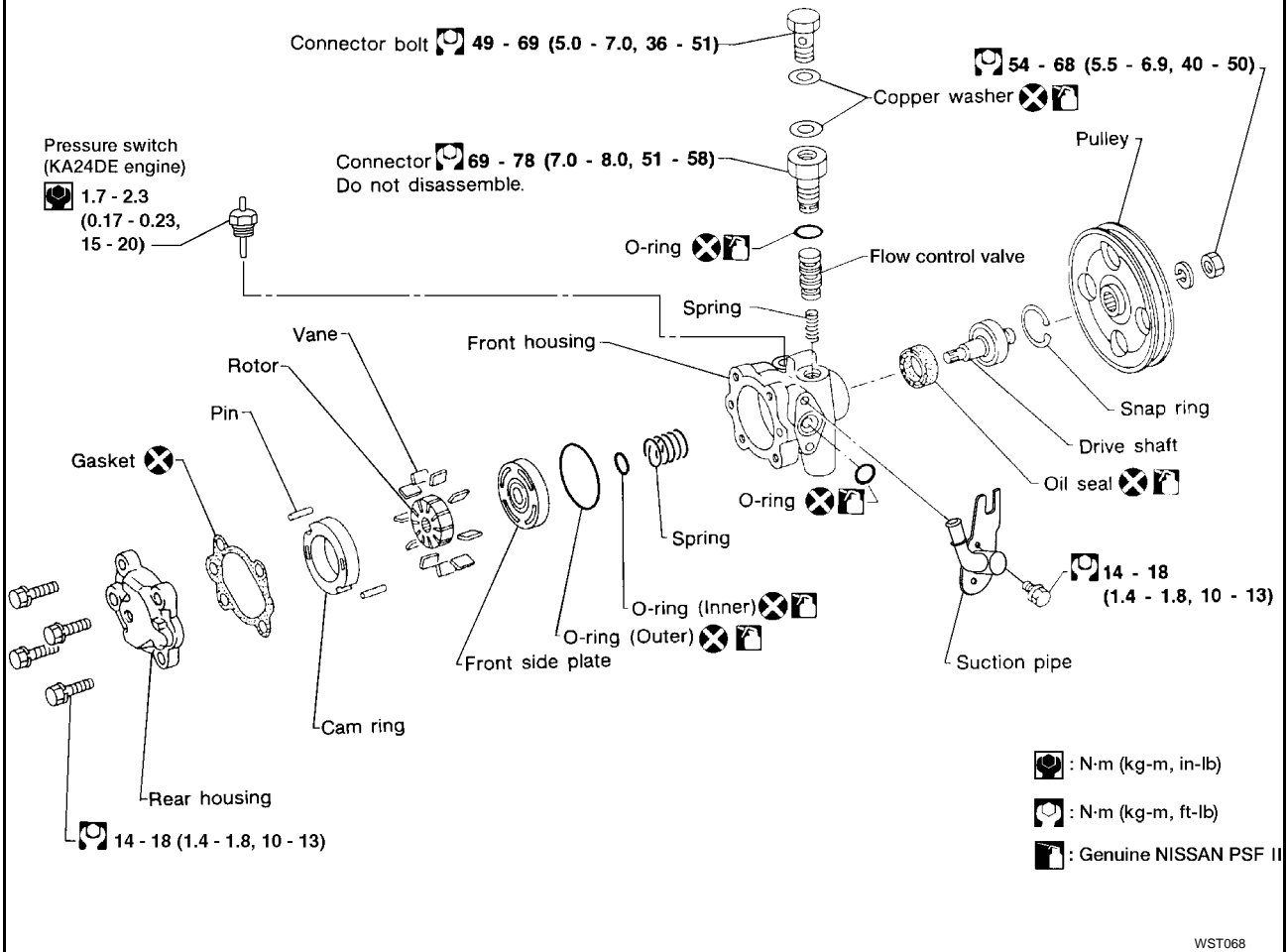
## POWER STEERING OIL PUMP

PFP:49110

### Components

EGS000F0

SEC. 490



A

B

C

D

E

F

PS

H

I

J

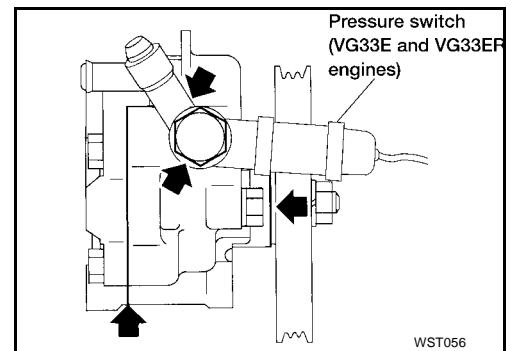
K

### Pre-disassembly Inspection

EGS000F1

Disassemble the power steering oil pump only if the following items are found.

- Oil leak from any point shown in the figure.
- Deformed or damaged pulley.
- Poor performance.



L

M

### Disassembly

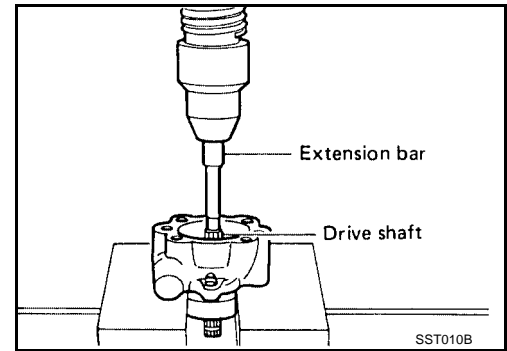
EGS000F2

#### CAUTION:

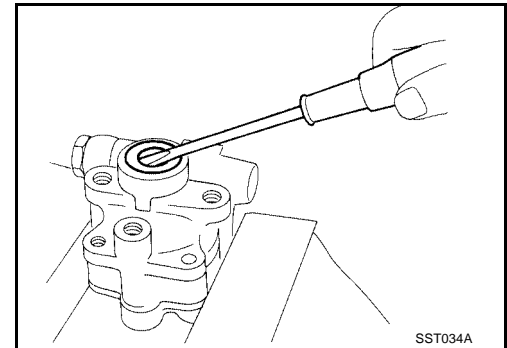
- Parts which can be disassembled are strictly limited. Never disassemble parts other than those specified.
- Disassemble in as clean a place as possible.
- Clean your hands before disassembly.
- Do not use rags; use nylon cloth or paper towels.
- When disassembling and reassembling, do not let foreign matter enter or contact the parts.

# POWER STEERING OIL PUMP

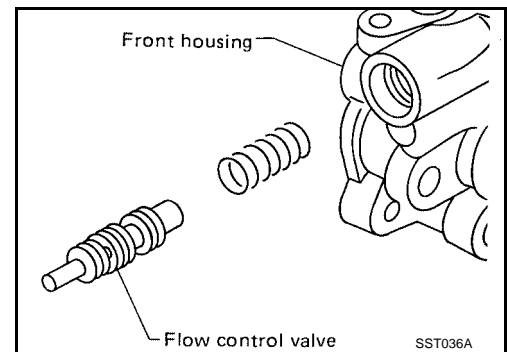
- Remove snap ring, then draw drive shaft out.
- Be careful not to drop drive shaft.



- Remove oil seal.
- Be careful not to damage front housing.



- Remove connector and flow control valve with spring.
- Be careful not to drop flow control valve.



EGS000F3

## Inspection

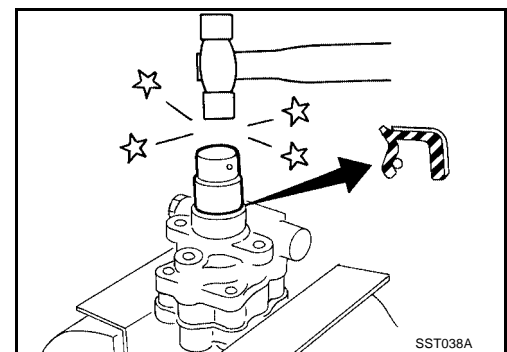
- If pulley is cracked or deformed, replace it.
- If fluid leak is found around the pulley shaft, replace the oil seal.

## Assembly

EGS000F4

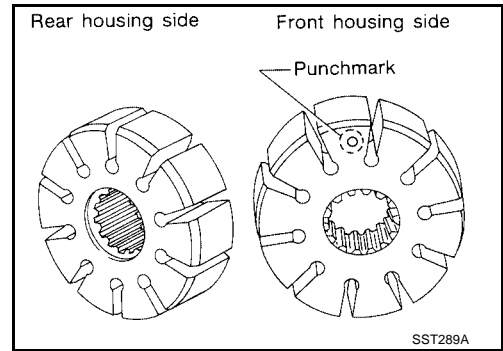
Assemble oil pump, noting the following instructions.

- Make sure O-rings and oil seal are properly installed.
- Always install new O-rings and oil seal.
- Be careful of oil seal direction.
- Cam ring, rotor and vanes must be replaced as a set if necessary.
- When assembling, coat each part with Genuine NISSAN PSF II or equivalent.

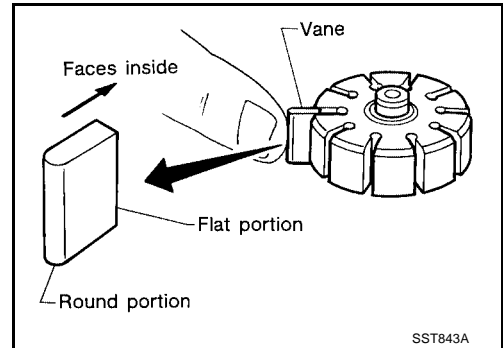


# POWER STEERING OIL PUMP

- Pay attention to the direction of rotor.



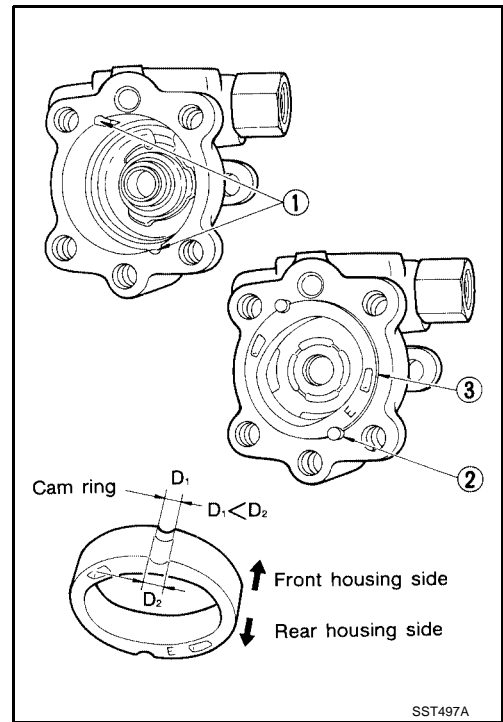
- When assembling vanes to rotor, rounded surfaces of vanes must face cam ring side.



- Insert pin 2 into pin groove 1 of front housing and front side plate. Then install cam ring 3.

**Cam ring**

**: $D_1$  is less than  $D_2$**



A  
B  
C  
D  
E  
F  
PS  
H  
I  
J  
K  
L  
M

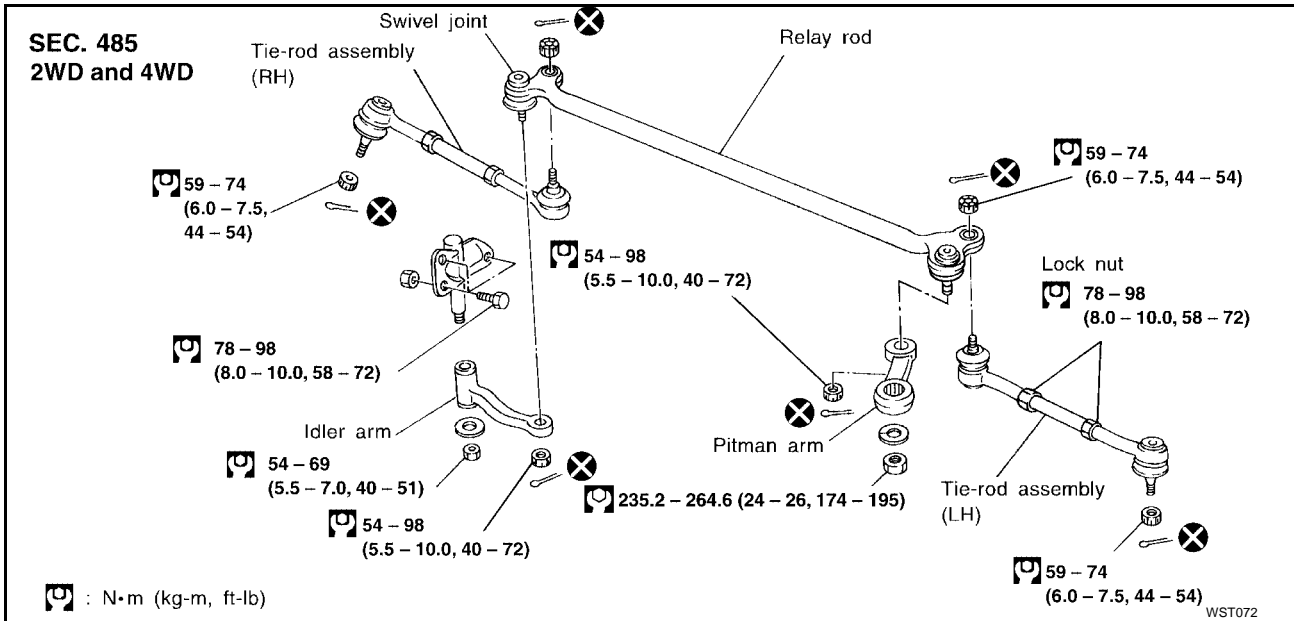
# STEERING LINKAGE

PF:48500

## STEERING LINKAGE

### Components

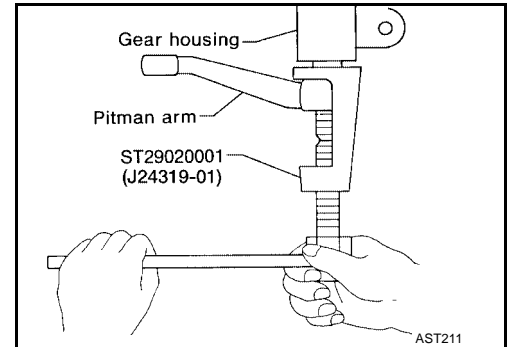
EGS000F5



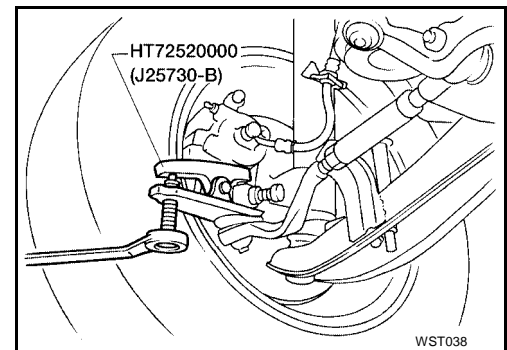
### Removal and Installation

EGS000F6

- Remove pitman arm with Tool.



- Remove tie-rod from knuckle arm with Tool.

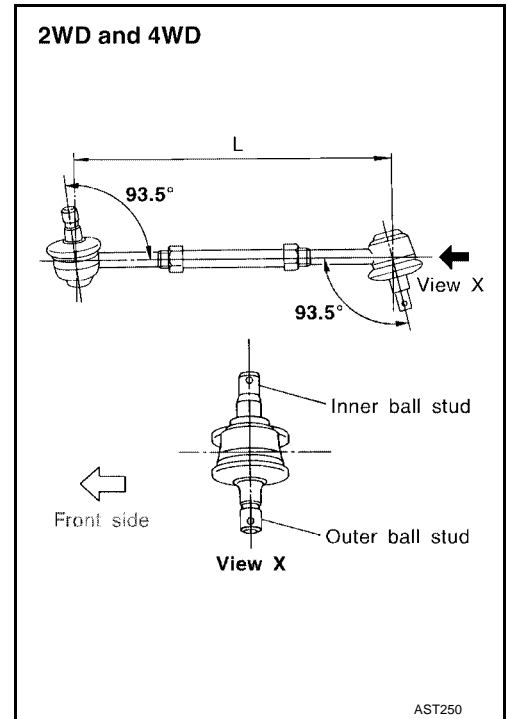


# STEERING LINKAGE

EGS000F7

## Disassembly and Assembly IDLER ARM ASSEMBLY

- Apply coat of multi-purpose grease to bushing.
- Press bushing into idler body, and insert shaft of idler bracket carefully until bushing protrudes.



## CROSS ROD AND TIE-ROD

1. When tie-rod ball joints and tie-rod bar are separated, adjust tie-rod length correctly. Adjustment should be done between ball stud centers.
2. Lock tie-rod clamp nut so that ball joint on outer ball stud is as follows with respect to that on inner ball stud.

**L** : Standard dimension  
before toe-in adjustment

**2WD and 4WD** : 297.6 mm (11.72 in)

### CAUTION:

Make sure that tie-rod bars are screwed into tie-rod tube more than 22 mm (0.87 in) 2WD and 4WD.

# STEERING LINKAGE

EGS000F8

## Inspection

### BALL JOINT AND SWIVEL JOINT

1. Check joints for play. If ball or swivel stud is worn and play in axial direction is excessive, or joint is hard to swing, replace as a complete unit.

**Swinging force (Measure point Cotter pin hole) "A"** : 15.7 - 147.1 N (1.6 - 15.0 kg, 3.5 - 33.1 lb)

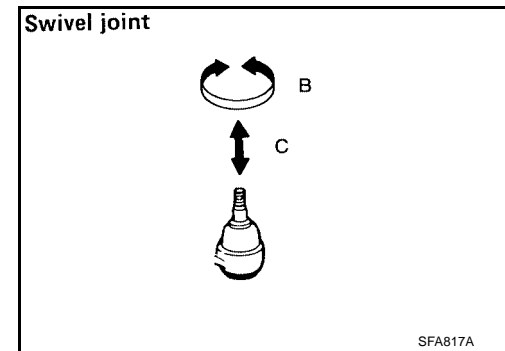
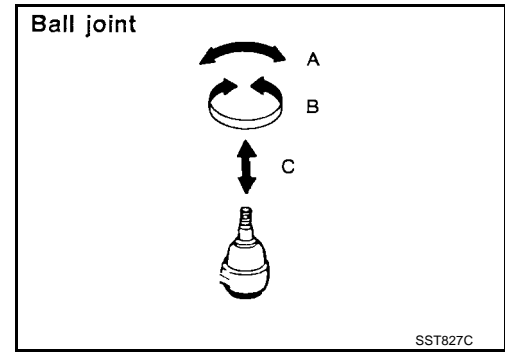
**Rotating torque "B"**

**Ball joint** : 0.5 - 4.9 N·m (5 - 50 kg-cm, 4.3 - 43.4 in-lb)

**Swivel joint** : 1.0 - 5.9 N·m (10 - 60 kg-cm, 8.7 - 52.1 in-lb)

**Axial end play "C"**

**Ball joint and swivel joint** : 0 mm (0 in)



2. Check condition of dust cover. If it is cracked excessively, replace as a complete unit.

#### **CAUTION:**

**Be careful not to apply grease or oil to taper of joint.**

### IDLER ARM ASSEMBLY

- Check rubber bushing of idler arm for breakage, wear or play, and if necessary replace.
- Lubricate idler arm assembly with multi-purpose grease, if necessary.

### CROSS ROD AND TIE-ROD

Check tie-rod and cross rod for breakage, bends and cracks, and replace with a new one if necessary.

### FIXING LOCATION

- Check fixing location (nuts and cotter pins) for looseness, play or breakage.
- When looseness or play is found, check for wear on tapered portion of joints, gear arm or idler arm.
- When reassembling each joint, use new cotter pins.

# SERVICE DATA AND SPECIFICATIONS (SDS)

## SERVICE DATA AND SPECIFICATIONS (SDS)

PF0:00030

### General Specifications

EGS000F9

Steering column type (Collapsible)	Power steering
	2WD, 4WD
Steering gear type	D600
Turns of steering wheel on the vehicle (Lock-to-lock)	2WD: 3.7, 4WD: 3.4
Steering gear ratio	17.6:1

### Steering Wheel

EGS000FA

Unit: mm (in)

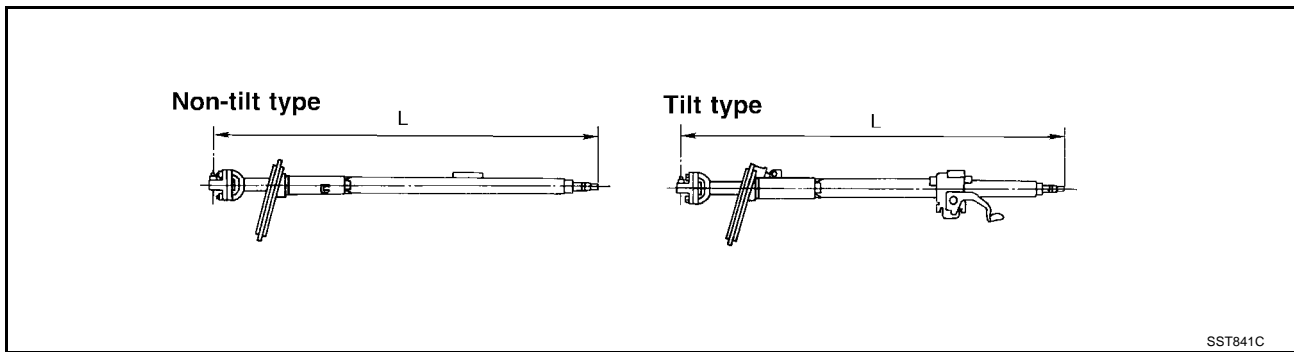
Steering wheel axial play	0 (0)
Steering wheel play	35 (1.38) or less

### Steering Column

EGS000FB

Unit: mm (in)

Dimension "L"	863.1 - 864.7 (33.980 - 34.043)
---------------	---------------------------------



SST841C

### Power Steering Gear

EGS000FC

Steering wheel turning force (at 360° from neutral position and circumference of steering wheel)	39 N (4 kg, 9 lb) or less	
Oil pump pressure	7,551 - 8,336 kPa (77 - 85 kg/cm <sup>2</sup> , 1,095 - 1,209 psi) at idle	
Fluid capacity	Approximately 1,000 - 1,100 ℓ (35.2 - 38.7 Imp fl oz)	
Normal operating temperature	60 - 80 °C (140 - 176 °F)	
Steering gear turning torque	360° position from straight-ahead position	0.20 - 0.90 N·m (2.0 - 9.2 kg·cm, 1.8 - 8.0 in·lb)
	Straight-ahead position (higher than turning torque at 360°)	0.70 - 1.05 N·m (0.08 - 0.10 kg·m, 7.0 - 9.0 in·lb)
	Maximum turning torque	1.7 N·m (17.3 kg·cm, 15.0 in·lb)
Backlash at pitman arm top end (in straight-ahead position)	0 - 0.1 mm (0 - 0.004 in)	
End play (at sector shaft end in neutral position)	0.1 mm (0.004 in) or less	

# SERVICE DATA AND SPECIFICATIONS (SDS)

## Steering Linkage

EGS000FD

Applied model	2WD, 4WD	
Relay-rod swivel joint	Rotating torque	1.0 - 5.9 N·m (10 - 60 kg-cm, 8.7 - 52.1 in-lb)
	Axial end play	0 mm (0 in)
Tie-rod & relay-rod ball joint	Swinging force at cotter pin hole	15.7 - 147.1 N (1.6 - 15.0 kg, 3.5 - 33.1 lb)
	Rotating torque	0.5 - 4.9 N·m (5 - 50 kg-cm, 4.3 - 43.4 in-lb)
	Axial end play	0 mm (0 in)
Tie-rod standard length (L)	2WD and 4WD	297.6 mm (11.72 in)

