

SECTION **SE** SEAT

A
B
C

CONTENTS

| | | | | |
|--------------------------------|----------|--------------------------------|----------|----------|
| FRONT SEAT | 2 | REAR SEAT | 3 | F |
| Removal and Installation | 2 | Removal and Installation | 3 | |

D
E

G

H

SE

J

K

L

M

FRONT SEAT

FRONT SEAT

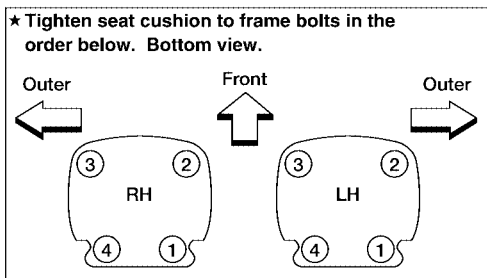
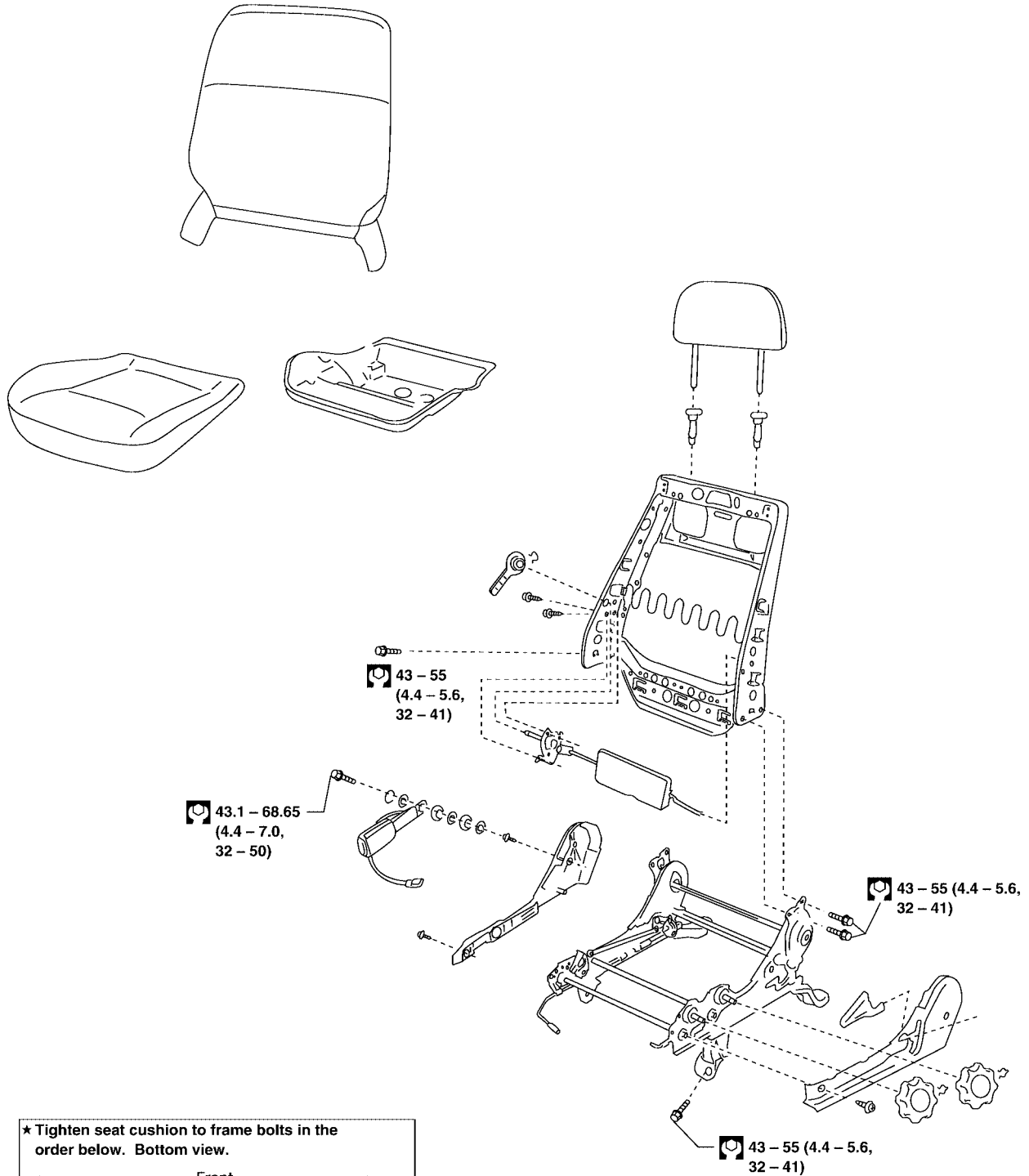
PFP:87000

Removal and Installation

EIS0014M

- When removing and installing the seat trim, carefully handle it to keep dirt out and avoid damage.

SEC. 868 • 870



: N·m (kg·m, ft·lb)

: Grease-up point
(Do not apply too much grease as it will drip)

LIA0261E

REAR SEAT

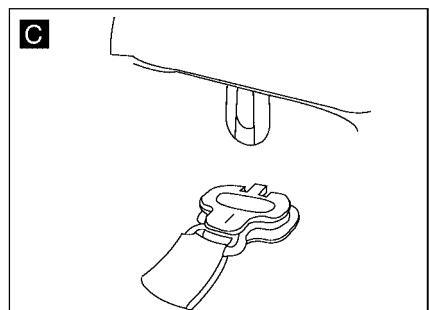
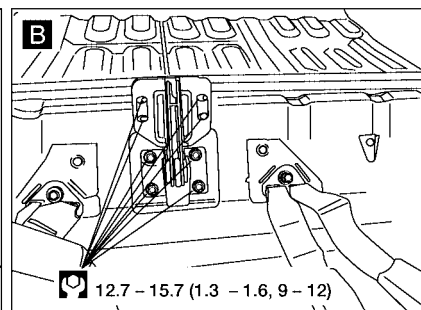
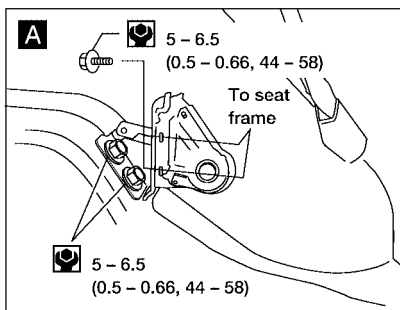
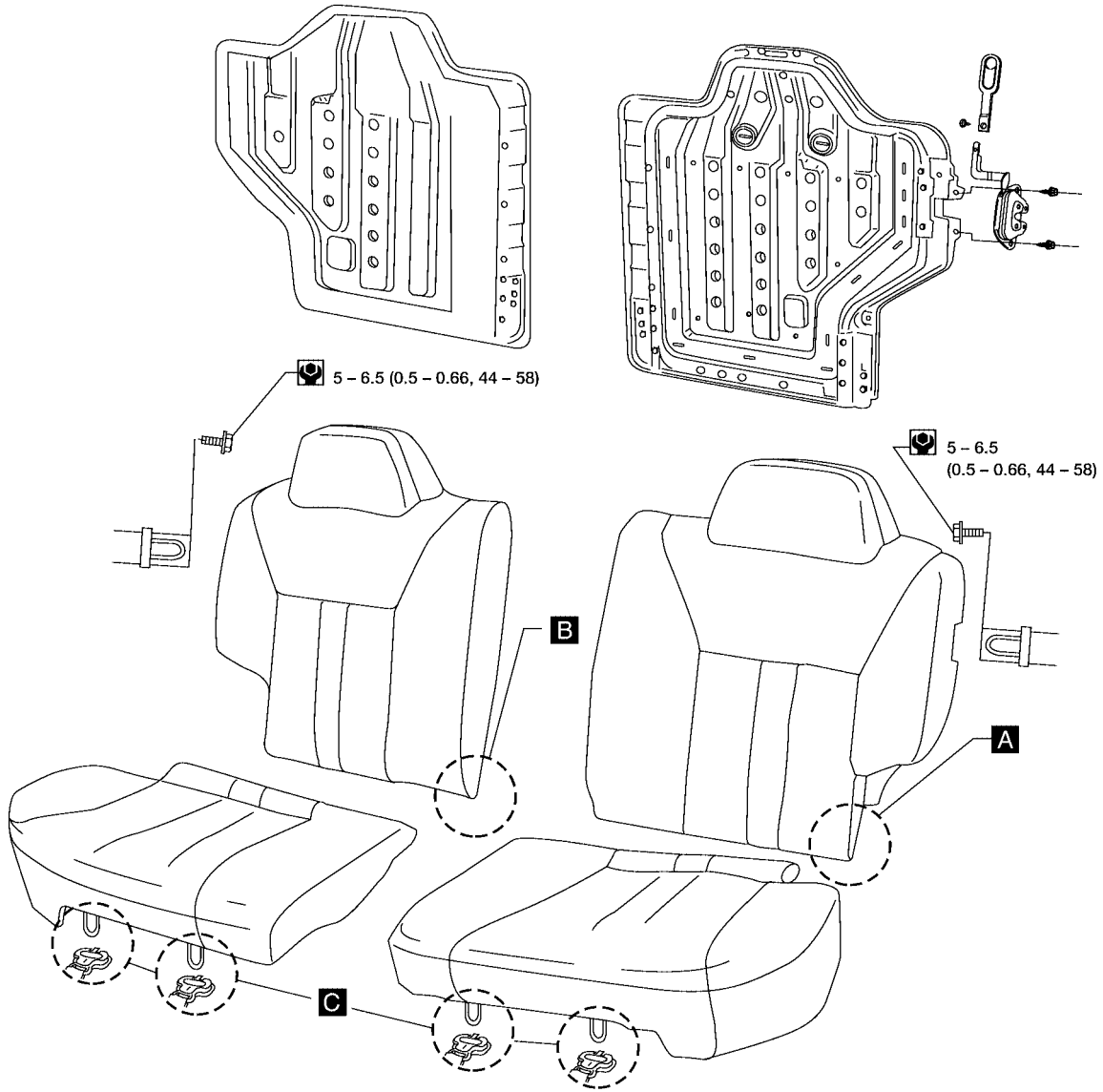
REAR SEAT


Removal and Installation


PFP:88300

EIS0014N

SEC. 870



 : N•m (kg-m, in-lb)

 : N•m (kg-m, ft-lb)

A
B
C
D
E
F
G
H
SE
J
K
L
M

REAR SEAT
