

A

ACC

# SECTION ACC

## ACCELERATOR CONTROL SYSTEM

C

### CONTENTS

D

E

<b>PRECAUTIONS</b> .....	<b>2</b>	Components .....	3	F
Precautions for Supplemental Restraint System (SRS) "AIR BAG" and "SEAT BELT PRE-TEN- SIONER" .....	2	Removal and Installation .....	3	
<b>ACCELERATOR CONTROL SYSTEM</b> .....	<b>3</b>	REMOVAL .....	3	G
		INSTALLATION .....	3	
		INSPECTION AFTER INSTALLATION .....	4	
		<b>SERVICE DATA AND SPECIFICATIONS (SDS)</b> .....	<b>5</b>	H
		Accelerator Control .....	5	
		ACCELERATOR PEDAL .....	5	I

J

K

L

M

# PRECAUTIONS

---

## PRECAUTIONS

PF0:00001

### Precautions for Supplemental Restraint System (SRS) “AIR BAG” and “SEAT BELT PRE-TENSIONER”

EBS0072P

The Supplemental Restraint System such as “AIR BAG” and “SEAT BELT PRE-TENSIONER”, used along with a front seat belt, helps to reduce the risk or severity of injury to the driver and front passenger for certain types of collision. This system includes seat belt switch inputs and dual stage front air bag modules. The SRS system uses the seat belt switches to determine the front air bag deployment, and may only deploy one front air bag, depending on the severity of a collision and whether the front occupants are belted or unbelted. Information necessary to service the system safely is included in the SRS and SB section of this Service Manual.

#### **WARNING:**

- **To avoid rendering the SRS inoperative, which could increase the risk of personal injury or death in the event of a collision which would result in air bag inflation, all maintenance must be performed by an authorized NISSAN/INFINITI dealer.**
- **Improper maintenance, including incorrect removal and installation of the SRS, can lead to personal injury caused by unintentional activation of the system. For removal of Spiral Cable and Air Bag Module, see the SRS section.**
- **Do not use electrical test equipment on any circuit related to the SRS unless instructed to in this Service Manual. SRS wiring harnesses can be identified by yellow and/or orange harnesses or harness connectors.**

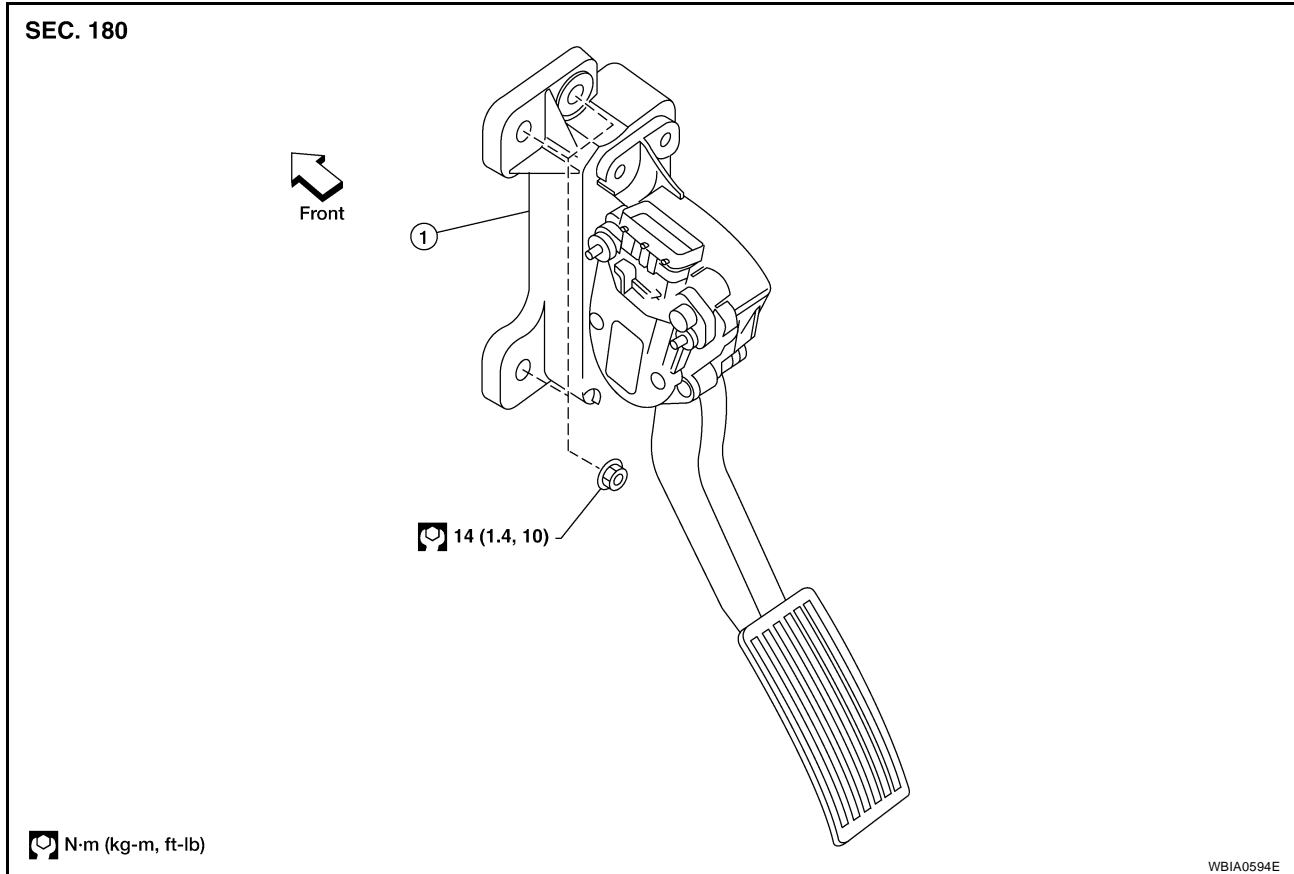
# ACCELERATOR CONTROL SYSTEM

## ACCELERATOR CONTROL SYSTEM

PFP:18005

### Components

EBS0003T



1. Non-adjustable accelerator pedal assembly

### CAUTION:

- Do not disassemble the accelerator pedal assembly.
- Do not remove the accelerator pedal position sensor from the accelerator pedal bracket.
- Avoid damage from dropping the accelerator pedal assembly during handling.
- Keep the accelerator pedal assembly away from water.

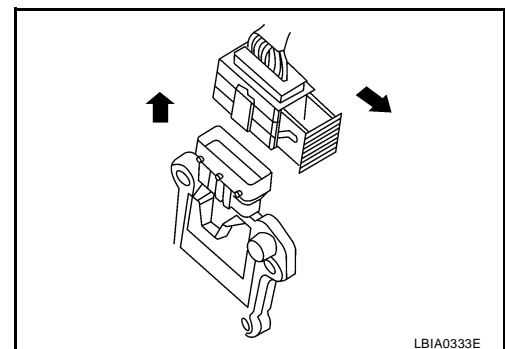
## Removal and Installation

### REMOVAL

1. Disconnect the negative battery terminal.
2. Disconnect the accelerator position sensor electrical connector.
  - a. Pull the connector lock back to unlock the connector from the accelerator pedal position sensor as shown.
  - b. Pull up on the connector to disconnect it from the accelerator pedal position sensor as shown.
3. Remove the two upper and one lower accelerator pedal nuts.
4. Remove the accelerator pedal assembly.

### CAUTION:

- Do not disassemble the accelerator pedal assembly.
- Do not remove the accelerator pedal position sensor from the accelerator pedal bracket.
- Avoid damage from dropping the accelerator pedal assembly during handling.
- Keep the accelerator pedal assembly away from water.



### INSTALLATION

Installation is in the reverse order of removal.

A

ACC

C

D

E

F

G

H

I

J

K

L

M

EBS0003U

# ACCELERATOR CONTROL SYSTEM

## INSPECTION AFTER INSTALLATION

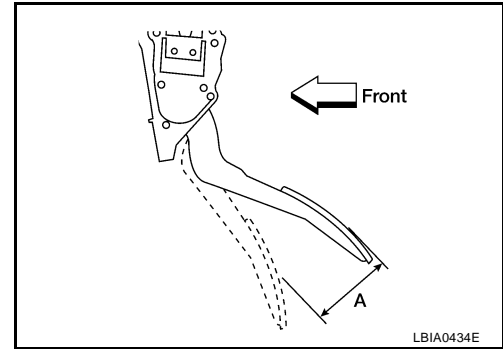
- Check that the accelerator pedal moves smoothly within the specified range.

**Accelerator pedal - total pedal applied stroke "A"** : 48 mm (1.89 in)

- Check that the accelerator pedal smoothly returns to the original position.
- Perform an electrical inspection of the accelerator pedal position sensor. Refer to [EC-611, "DTC P2138 APP SENSOR"](#).

**CAUTION:**

**When the harness connector of the accelerator pedal position sensor is disconnected, perform "Accelerator Pedal Released Position Learning". Refer to [EC-78, "Accelerator Pedal Released Position Learning"](#).**



# SERVICE DATA AND SPECIFICATIONS (SDS)

## SERVICE DATA AND SPECIFICATIONS (SDS)

PFP:00030

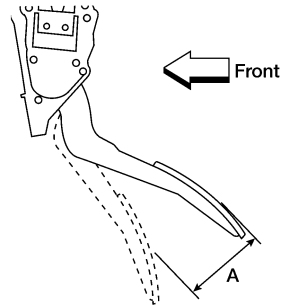
### Accelerator Control ACCELERATOR PEDAL

EBS0003V

Unit: mm (in)

A

ACC



C

D

E

Accelerator pedal - total pedal applied stroke "A"	48 (1.89)
--	-----------

F

G

H

I

J

K

L

M

# SERVICE DATA AND SPECIFICATIONS (SDS)

---